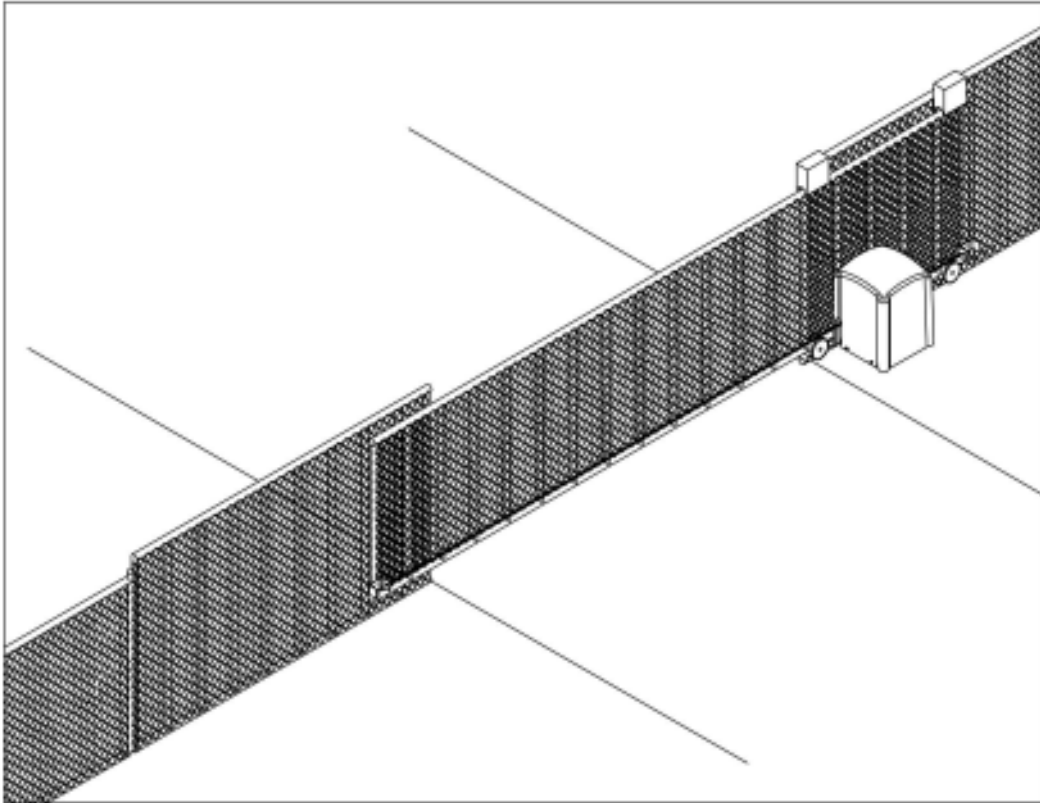


SLR • SLC • SLD

INSTALLATION GUIDE



OSCO[®]

OPERATOR SPECIALTY COMPANY, INC.

CASNOVIA, MI 49318 • U.S.A.

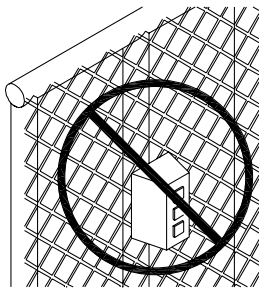


**UL325 COMPLIANCE REQUIRES THE USE OF CONTACT EDGES
OR PHOTOELECTRIC CONTROLS ON ALL AUTOMATIC OR
REMOTELY-CONTROLLED GATE OPERATORS.**

SLR • SLC • SLD OPERATOR INSTALLATION GUIDE

TABLE OF CONTENTS

PRE-INSTALLATION INFORMATION	
Gate Operator Classifications	3
Safety Information and Warnings	3
Pre-Installation Information	3
Warranty	3
INSTALLATION	
Wiring Specifications	4
Pad Mounting Instructions	5
Gate Bracket and Chain Assembly Instructions	6
Vent Plug Installation	7
Torque Limiter Adjustments	7
Electrical Connection and Adjustments	8
Limit Nut Adjustments	8
CONTROL BOARD ADJUSTMENTS and ACCESSORY CONNECTIONS	
Control Board Adjustments	9
Terminal Connection Descriptions	10
Current Sensing Adjustments	11
Close Direction Current Sense Adjustment	11
Open Direction Current Sense Adjustment	11
Maximum Run Timer Adjustment	11
Auto Close Timer Adjustment	11
Master/Slave Connection	11
Battery Back-Up Charger Board Configuration	11
Onboard L.E.D. Indicator Descriptions	12
Important Notes for Installation of Master/Slave Applications	13
Surge Protector Instructions	13
Charger Board Sleep Mode	14
Control and Accessory Connection Illustrations	15-18
ILLUSTRATIONS	
Loop Layout Illustration	19
Edge Layout Illustration #1	20
Edge Layout Illustration #2	21
Photo Eye Illustration	22
Picket Gate Illustration	23
Track Gate Illustration	24
TROUBLESHOOTING	25
PARTS LISTS	
How to Order Replacement Parts	25
Model SLR Mechanical Parts Exploded View	26
Model SLR Mechanical Parts List	27
Model SLC Mechanical Parts Exploded View	28
Model SLC Mechanical Parts List	29
Model SLR and SLC Control Box Exploded View and Parts List	30
Model SLD Mechanical Parts Exploded View	31
Model SLD Mechanical Parts List	32
Model SLD Control Box Exploded View and Parts List	33
Model SLD Battery Maintenance and Brush Replacement	34
PREVENTATIVE MAINTENANCE	38
GATE OPERATOR INSTALLATION CHECKLIST	40



CAUTION!
DO NOT INSTALL
CONTROLS ON A
GATE OR FENCE LINE



CAUTION!
ONLY QUALIFIED SERVICE
TECHNICIANS SHOULD
WORK ON AN OSCO
SLIDE GATE OPERATOR



CAUTION!
DO NOT INSTALL
CONTROLS
ON THE OPERATOR

GATE OPERATOR CLASSIFICATIONS

All gate operators can be divided into one of four different classifications, depending on their design and usage.

Class I: Residential

A vehicular gate operator (or system) intended for use in a home of one to four single-family dwellings, or a garage or parking area associated therewith.

Class II: Commercial or General Public Access

A vehicular gate operator (or system) intended for use in a commercial location or building such as a multi-family housing unit (five or more single-family units), hotel, garage, retail store, or other building servicing the general public.

Class III: Industrial or Limited Access

A vehicular gate operator (or system) intended for use in an industrial location or building such as a factory or loading dock area or other locations not intended to service the general public.

Class IV: Restricted Access

A vehicular gate operator (or system) intended for use in a guarded industrial location or building such as an airport security area or other restricted access locations not servicing the general public, in which unauthorized access is prevented via supervision by security personnel.

IMPORTANT !!

Before installing the gate operator, make sure the gate slides free and level throughout the entire opening distance. If the gate does not seem to operate properly, it may affect the operator performance or greatly shorten the life of the unit. The gate should be designed so that airflow through the fabric is ample to prevent wind resistance and drag.



SAFETY INFORMATION AND WARNINGS

Read the following before beginning to install OSCO slide gate operators:

1. Read the yellow "Safety Instructions" brochure enclosed with the packet of information. If you do not have one, please call OSCO at 1-800-333-1717 to request one. Read and follow all instructions.
2. All electrical connections to the power supply must be made by a licensed electrician and must observe all national and local electrical codes.
3. A separate power-disconnect switch should be located near the operator so that primary power can be turned off when necessary.
4. Install the enclosed warning signs on both sides of the gate. Each sign must be plainly visible from the side of the gate on which they are mounted.
5. Never reach between, through or around the fence to operate the gate.
6. You must install all required safety equipment.

PRE-INSTALLATION INFORMATION

Before unpacking, inspect the carton for exterior damage. If you find damage, advise the delivery carrier of a potential claim.

Inspect your package carefully. For your convenience, you can check your accessory box parts with the enclosed packing slip. Claims for shortages will be honored for only 30 days from the date of shipment.

Before installing the operator, read this manual completely to ensure all requirements for proper installation are present. Verify that the voltage to be used matches the voltage of the operator.

The following contact or non-contact obstruction detection devices have been approved for use with OSCO slide gate operators as part of a UL325 compliant installation:

Contact Edges:

Miller Models*: MG0-20, MGR-20, MGS-20, and ME-120

Photoeyes:

2520-441 MMTc Model IR-55 photoeye, 165' with mounting hardware

2520-031 MMTc Model E3K photoeye, 28' with mounting hardware

**for OSCO part numbers, contact a sales representative for details*

SLR • SLC • SLD OPERATOR INSTALLATION GUIDE

WIRING SPECIFICATIONS

- Select from the chart at the bottom of this page corresponding to the model, voltage and horsepower rating of your operator.
- The distance shown on the chart is measured in feet from the operator to the power source. **DO NOT EXCEED THE MAXIMUM DISTANCE.** These calculations have been based on standard power supplies with a 10% allowable voltage drop. If the available voltage is less than the standard rating, the wire lengths listed may be longer than what your application will handle. If this is the case, you should not allow your wire length to reach the upper end of the chart for the gauge of wire you are using.
- When large-gauge wire is used, a separate junction box (not supplied) may be needed for the operator power connection.
- All control devices are now 24VDC, which can be wired considerable distances.
- Wire length calculations are based on the National Electrical Code, Article 430 and have been carefully determined based on motor inrush, brake solenoids, and operator requirements.
- Connect power in accordance with local codes. All power wiring should be done by a licensed electrician. **The green ground wire must be properly connected.**
- Wire insulation must be suitable to the application.
- Control wiring must be run in a separate conduit from power wiring. Running them together may cause interference and faulty signals in some accessories.
- Electrical outlets are supplied in all 115VAC models for convenience with occasional use or low power consumption devices only. If you choose to power dedicated equipment from these devices, it will decrease the distance for maximum wire length and the charts will no longer be accurate.
- A three-wire shielded conductor cable is required to connect master and slave operators. You must use Belden 8760 Twisted Pair Shielded Cable (or equivalent) **only** – OSCO part number 2500-1982, per foot). See page 9 for details of this connection, as well as dip switch selection. **Note: The SHIELD wire should be connected in both the master and slave operators.**

USE COPPER WIRE ONLY!

MODEL SLR

Power Wiring			
Volts & HP	Max Distance		Wire Gauge
	Single	Dual	
115V	316	158	12
	502	251	10
	800	400	8
1/2 HP	1272	636	6
	2022	1011	4
230V	764	382	12
	1218	609	10
1/2 HP	1936	968	8
	3076	1538	6
	4896	2448	4

MODEL SLC

Power Wiring											
Volts & HP	Max Distance		Wire Gauge	Volts & HP	Max Distance		Wire Gauge	Volts & HP	Max Distance		Wire Gauge
	Single	Dual			Single	Dual			Single	Dual	
115V	222	111	12	208V	760	380	12	230V	894	447	12
	354	177	10		1200	600	10		1422	711	10
	566	283	8		1924	962	8		2264	1132	8
	900	450	6		3060	1830	6		3600	1800	6
1/2 HP	1430	715	4	1/2 HP	4864	2432	4	1/2 HP	5724	2862	4
115V	178	89	12	208V	604	302	12	230V	710	355	12
	282	141	10		958	478	10		1128	564	10
	450	225	8		1526	763	8		1796	898	8
3/4 HP	716	358	6	3/4 HP	2424	1212	6	3/4 HP	2852	1426	6
	1140	570	4		HP	3856	1928		4	HP	4538
115V	160	80	12	208V	544	272	12	230V	640	320	12
	254	127	10		864	432	10		1016	508	10
	406	203	8		1374	686	8		1616	808	8
	646	323	6		2184	1092	6		2570	1285	6
	1026	513	4		1HP	3476	1738		4	1HP	4090

MODEL SLR SLC
ACCESSORY WIRING

All Models		
Volts	Maximum Distance (ft.)	Wire Gauge
24VAC	250 350*	14 12
24VDC	0-2000	14
*Over 350 ft. use DC power.		

MODEL SLD

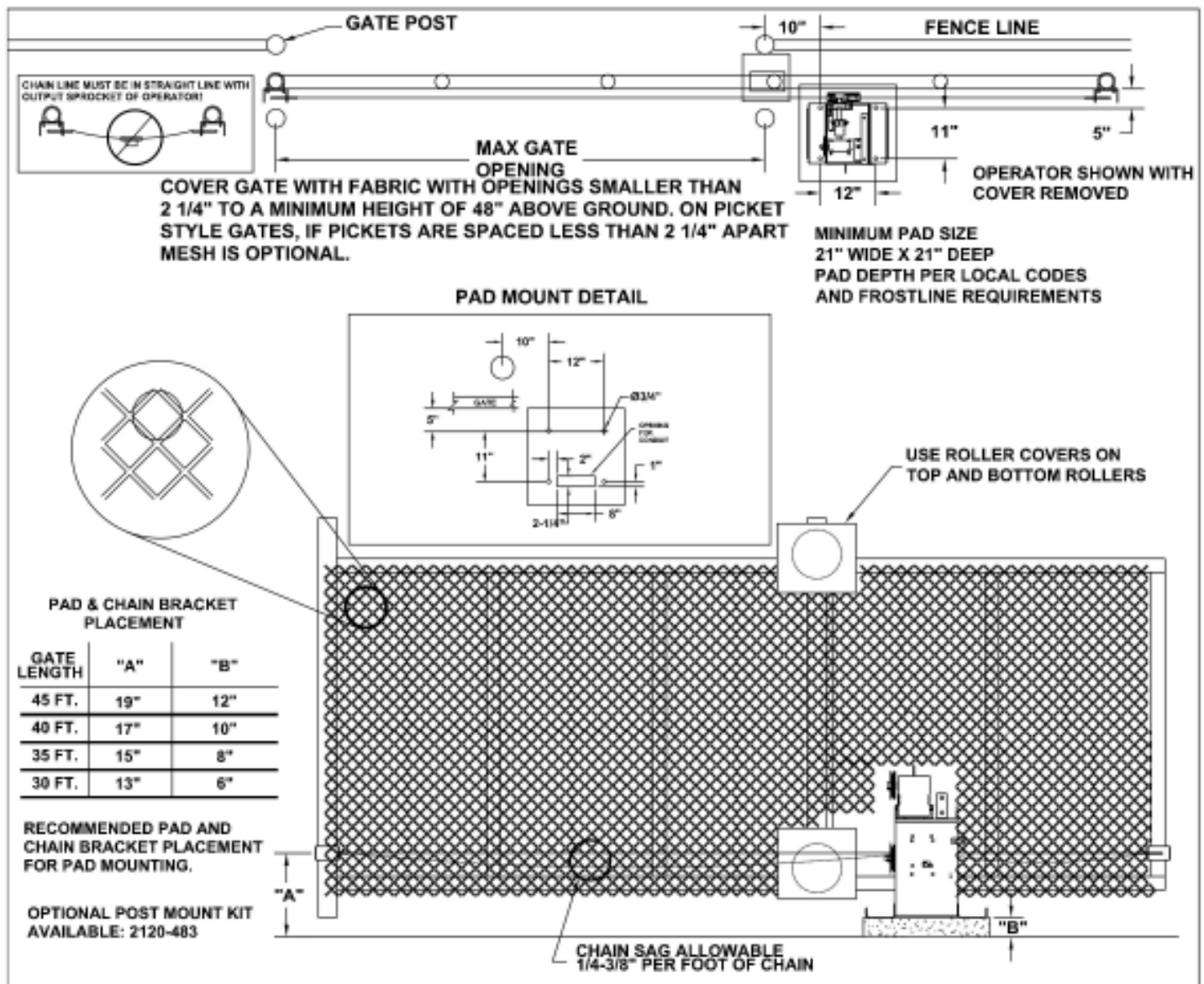
Power Wiring			
Volts & HP	Max Distance		Wire Gauge
	Single	Dual	
115V	430	215	12
	684	342	10
	1090	545	8
1/2 HP	1732	866	6
	2756	1378	4

MODEL SLD
ACCESSORY WIRING

All DC Models		
Volts	Maximum Distance (ft.)	Wire Gauge
24VDC	0-2000	14
*Over 350 ft. use DC power.		

PAD MOUNTING INSTRUCTIONS FOR MODELS

SLR, SLC & SLD



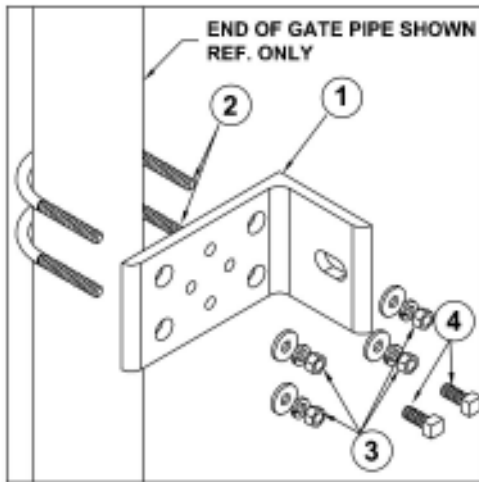
Before installing, make sure the gate rolls or slides freely, and that all exposed rollers are properly covered. The gate must be covered with fabric with openings no larger than 2 1/4" in size, to a minimum height of 48 inches above ground level. On picket-style gates, if pickets are spaced less than 2 1/4" apart, mesh is optional.

To assemble the drive chain and gate brackets, refer to Page 6. Make sure that the chain sag does not exceed recommended sizes and that the chain does not come into contact with the moving parts of the gate or ground.

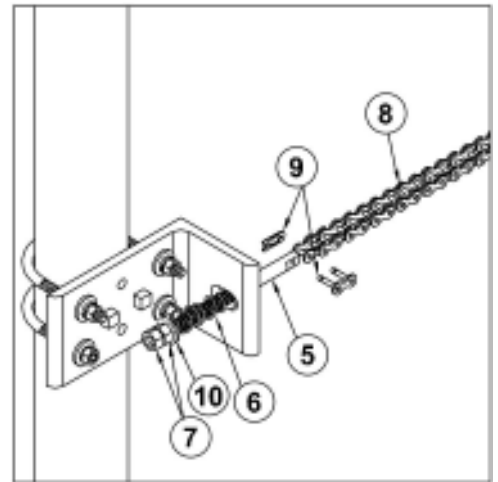
A SEPARATE PEDESTRIAN GATE IS REQUIRED FOR ALL PEDESTRIAN TRAFFIC. THIS GATE MUST BE A MINIMUM DISTANCE OF SEVEN (7) FEET FROM THE VEHICULAR GATE AND GATE OPERATOR.

SLR • SLC • SLD OPERATOR INSTALLATION GUIDE

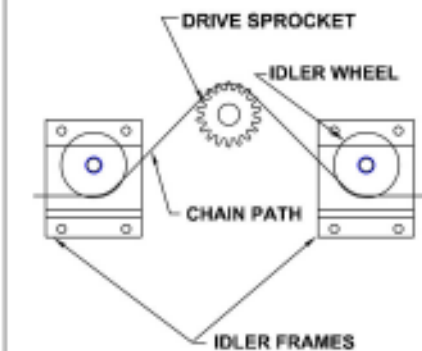
GATE BRACKET AND CHAIN ASSEMBLY INSTRUCTIONS



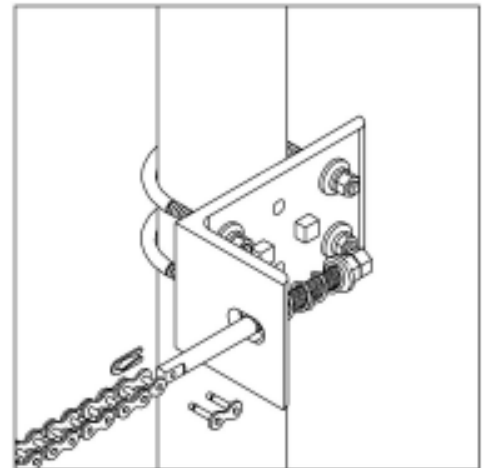
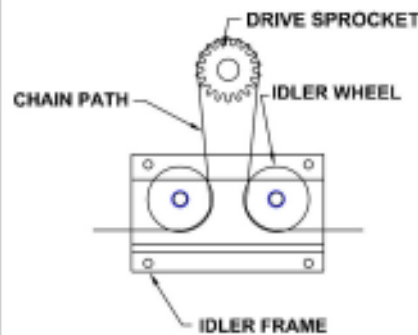
Numbered items in these drawings are for instructional reference only. For actual part numbers, go to the parts lists in the back of this booklet.



NOTE: IDLER CONFIGURATION MAY APPEAR DIFFERENT DEPENDING ON SLIDE OPERATOR MODEL.



SOME MODELS MAY APPEAR MORE LIKE THIS:



Assemble a gate bracket (1) to the front edge of the gate, using two U-bolts (2), and mounting hardware (3). Before tightening down completely, be sure the bracket is parallel to the gate. Tighten the U-bolt hardware the rest of the way, then screw the square head bolts (4) into the threaded holes in the gate plate until they bottom out against the gate. These will help keep the bracket from twisting on the pipe.

Slide a threaded chain pin (5) through the bracket as shown, with spring (6), flat washer (10), and two hex nuts (7). Attach one end of the drive chain (8) to the chain pin using master link (9) and begin unrolling it toward the operator.

Remove the rain cover from the back of the slide gate operator. Carefully thread the drive chain under the first idler, over the drive sprocket, and then under the last idler. Make sure you feed most of the chain through the sprockets for attaching to the back end of the gate.

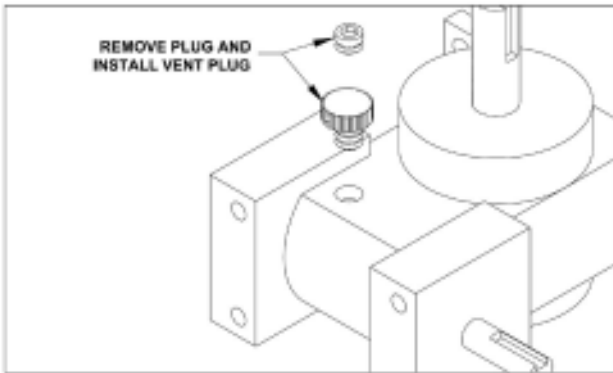
Assemble the other gate bracket on the rear edge of the gate, using the same process as you did with the front gate bracket. Once this is done, take the other chain pin, spring and jam nuts and assemble with the end of drive chain and the other master link.

At this point you should be able to adjust the chain tension by tightening the jam nuts on each end. Approximately 1/4" to 3/8" of slack per foot of drive chain is acceptable. Make sure the chain does not drag on the ground, across the gate rollers or the idler frame of the operator.

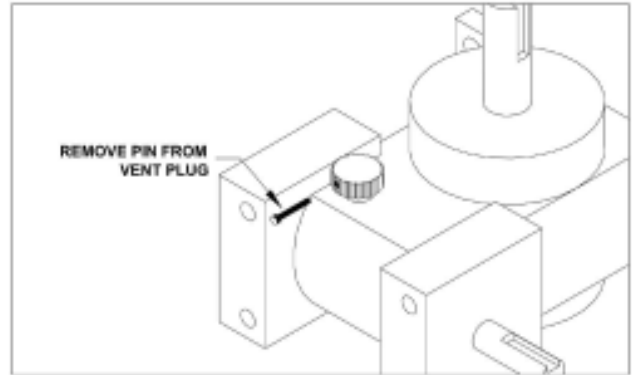
Additional mounting holes have been provided in the gate bracket for installer convenience.

VENT PLUG INSTALLATION

Gear reducers used in OSCO gate operators will have solid plugs installed prior to shipment in order to keep the oil inside from spilling out during shipping. A vent plug has been provided to replace this plug during installation. This plug will look similar to the ones shown below. Some models may have a vent plug with a breather pin. This pin should be removed after installing the operator.



OR



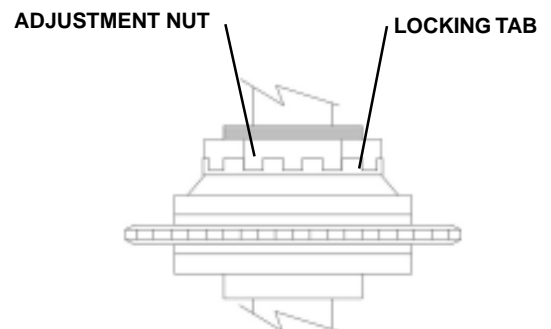
OPTIONAL TORQUE LIMITER ADJUSTMENTS

Your Model SLR, SLC or SLD may have an optional torque limiter. Follow these instructions if you do.

Before adjusting the torque limiter, make sure the gate is in good working condition. One person should be able to move the gate by hand. Be certain the gate moves freely and without binding throughout its travel. Torque limiters are set light at the factory and must be adjusted during installation. Adjust the torque limiter tight enough to keep it from slipping during normal operation.

To adjust the torque limiter in models SLR, SLC and SLD:

1. Bend the locking tabs away from the adjustment nut.
2. *To increase the output*, turn the adjustment nut clockwise one flat, or 1/6 turn, at a time until desired output is obtained.
To reduce the output, turn the adjustment nut counterclockwise one flat, or 1/6 turn, at a time until desired output is obtained.
3. Bend the locking tabs up to lock the adjustment nut in place.



**MODELS SLR, SLC and SLD
(optional)**

SLR • SLC • SLD OPERATOR INSTALLATION GUIDE

ELECTRICAL CONNECTION AND ADJUSTMENTS



**Power supply must be of correct voltage and phase.
Always disconnect power from operator before servicing.
Keep clear of gate during operation.**

All OSCO gate operators are supplied with a power disconnect switch to turn on and off the power supply available to the operator. Incoming power should be brought into the operator and connected to the labeled pigtails in the disconnect box following wiring specifications on page 4. A wiring connections print can be found on the inside cover of the operator.

Proper thermal protection is supplied with the operator. The motor contains a thermal overload protector to protect from overheating the motor due to overload or high-frequency operation. This overload will automatically reset after the motor cools down.

LIMIT NUT ADJUSTMENTS

The limit nuts are not preset at the factory and must be adjusted for the length of the gate the operator is installed on. The limit switches are activated by two threaded nylon rotary limit nuts which are attached to a threaded shaft and driven by chain and sprockets from the main drive shaft. Remove the cardboard filler before attempting to adjust the limit nuts.

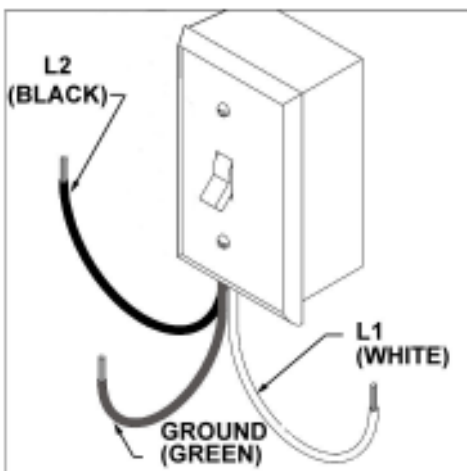
With the gate connected to the gate operator in a mid-travel position, and the power disconnect switch turned **OFF**, disconnect the operator by using the manual disconnect lever. Instructions for the manual disconnect can be found in the individual operator owner's guides. Once the operator has been disconnected, manually move the gate by hand to within a foot of its fully open position (the foot of distance is necessary to allow for coasting of the operator after the limit switch is tripped).

Once the gate is in this position, adjust the open limit nut until it activates the limit switch for open, **LSO-1**. Press down on the detent plate and rotate the nut along the threaded shaft. Refer to the illustration below for additional details.

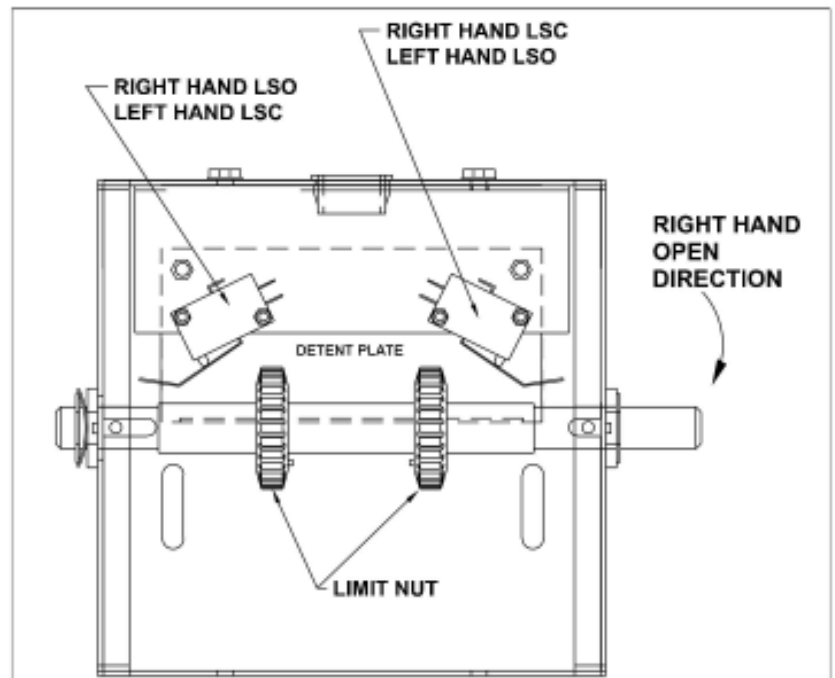
Once the open limit nut is set, repeat the above process for the close direction nut and the **LSC-1** limit switch.

After finishing the initial limit nut adjustments, reposition the gate to approximately its center of travel. Re-engage the operator and turn the power disconnect **ON**. Stand clear of any moving parts and press the **OPEN** button on the three-button station. If the gate begins to close instead of open, press the **STOP** button immediately. Find the dip switch block on the main control board and switch the hand of operation (dip switch #4, see page 9) and try to open the gate again. Observe the gate as it runs through a complete cycle in both directions, and adjust your limits again if necessary. Fine levels of adjustment can also be achieved by adjusting a few teeth on the nut at a time. If the gate stops in midtravel, the open or close current sensor adjustment or the maximum run timer may need adjustment (see page 11).

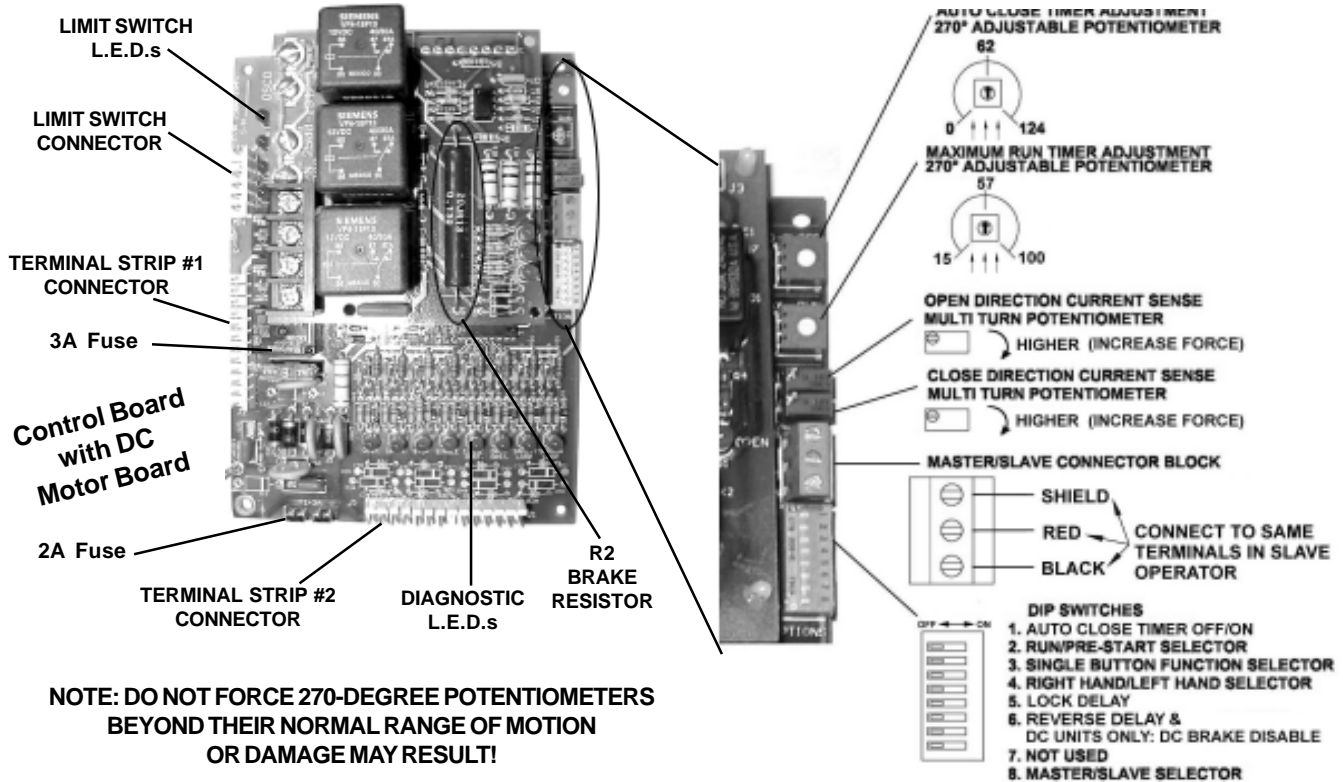
**POWER DISCONNECT BOX
(115VAC VERSION SHOWN)**



LIMIT BOX



CONTROL BOARD ADJUSTMENTS



Auto Close Timer Adjustment: This 270-degree adjustable potentiometer will signal the operator to close automatically, provided no open, reversing or obstruction signals are present from the fully-open position. This timer is adjustable from 0 to 124 seconds. This feature is turned on or off using dip switch #1.

Maximum Run Timer Adjustment: This 270-degree adjustable potentiometer will signal the operator to stop running once it counts down, unless a limit switch is reached or an input is received first. Each time the motor starts, this timer will begin counting. This timer is adjustable from 15 to 100 seconds. If the timer expires, the unit locks out and the emergency alarm sounds.

Open Direction Current Sense Adjustment: This multiturn potentiometer is used to calibrate the built-in current sensing feature for detection of obstructions while running in the open direction.

Close Direction Current Sense Adjustment: This multiturn potentiometer is used to calibrate the built in current sensing feature for detection of obstructions while running in the closed direction.


Master/Slave Connection Block: This terminal block is used in conjunction with two operators to configure two gates to open and close together.

Dip Switches:


- #1 This switch turns the auto close timer off/on.
- #2 This switch is used in conjunction with alarms and flashing lights that may be added to the operator. When the switch is in the **ON** position, these devices will start approximately two seconds prior to the operator starting. In the **OFF** position, the devices will only work while the operator is running.
- #3 This switch is used in conjunction with single-button controls and radio receivers. In the **ON** position, successive inputs will cause signals in the order of **OPEN-STOP-CLOSE-STOP**. In the **OFF** position, inputs will cause an **OPEN** signal unless the gate is fully open, in which case it will signal **CLOSE**.
- #4 This switch determines right-hand vs. left-hand behavior. When looking from inside the protected area toward the gate, the side of the drive the operator is on determines its hand of operation. In the **OFF** position, the operator is set for right-hand.
- #5 When turned **ON**, this switch will allow a one-second delay for solenoid locks to unlock before the motor starts.
- #6 In the **ON** position, the reverse delay is three seconds. In DC operators only, this also disables the inherent DC brake (provided the R2 brake resistor is cut, see picture above). In the **OFF** position, the reverse delay is 1 1/2 seconds and the DC inherent brake is enabled.
- #7 Not used at this time.
- #8 This switch is used to set Master/Slave configuration. Operators which are stand-alone or master units should be set to **OFF**, while only slave units should have this switch set to **ON**.

TERMINAL CONNECTION DESCRIPTIONS

TERMINALS	FUNCTION	DESCRIPTION OF FUNCTION
24VAC 24VAC N	24VAC	Provides 24Volt AC power for accessories. Note: DC models will NOT have 24Volt AC power available.
24VDC+ 24VDC- COMM.	24VDC	Provides 24Volt DC power for accessories.
1 & 4	OPEN	Opens the operator. Several accessories such as button stations, keypads, transmitters and card readers can be wired to open.
3 & 4	CLOSE	Closes the operator. Use caution when wiring accessories to these terminals. The gate must be clearly visible from the location of any accessories wired to close.
4 & 5	SINGLE-BUTTON	Performs the single-button function which will alternate between open and close or open, stop and close - depending on dip switch #3. (See page 9 for details.)
2 & 4	STOP	Stops the operator. If no stop button is used, a jumper is required across 2&4 .
4 & 6	REVERSE	This function will cause a reversal when the gate is traveling closed and will travel back to the fully open position. Loop detectors are often wired for reverse.
4 & 50	OPEN OBSTRUCTION	This function works only while the operator is opening. Any signal to this function will cause the gate to stop, reverse a short distance, and then stop again. At this time the auto close timer is disabled, and a renewed input will be required to start the gate again. Should the gate be restarted and the signal occur again prior to reaching a limit, the gate will stop again, and this time will sound the emergency alarm and lock out.
4 & 51	CLOSE OBSTRUCTION	This function works exactly like the OPEN OBSTRUCTION, except that it will only work in the closing direction.
4 & 11	SHADOW/HOLD	This function will keep the gate in its fully open position while the signal is present. This is typically used with a loop and loop detector to keep a large swing gate open while vehicular traffic is passing through.
24VDC+ & 60	RUN/PRE-START	A 24Volt DC device such as a strobe light or alarm can be wired to these terminals. Depending on dip switch #2, these devices will either begin three seconds before the operator starts, or only while the motor is running. (See page 9 for details.)

 **You must follow all required safety precautions and instructions at all times. Review the safety brochure included with the operator. If any pages are missing or unreadable, contact OSCO at 1-800-333-1717 to request additional copies.**

 **Never connect a button station within reach of the gate or on the side of the gate operator.**

 **Do not adjust the circuit board current sensing feature too high. It should be adjusted high enough to keep the gate from falsely triggering the sensing, but no higher than necessary for the gate to operate. Do not defeat the purpose of this function!**

SLR • SLC • SLD OPERATOR INSTALLATION GUIDE

CURRENT SENSING ADJUSTMENTS

Because gates vary in construction and may have different force requirements in the open and close directions to move, the OSCO control board has separate Multi-turn potentiometers for adjusting in both directions independently. The adjustment should be set light enough to maintain minimal force (50-75 lbs.) should an obstruction occur, but high enough to keep the gate moving under normal conditions without interruption.

Prior to adjusting the operator current sensing functions, make sure the gate moves freely in both directions. A badly aligned or poorly maintained gate may cause false triggering of the current sensor. Refer to page 9 when following the instructions below. A factory adjustment tool has been supplied to make these adjustments easier. This tool has been taped to the control box for your convenience.

CLOSE DIRECTION CURRENT SENSE ADJUSTMENT

When the gate operator leaves the factory, it has been preset for a relatively light gate function and will require additional adjustment. Begin by starting the gate going closed. If the operator stops and reverses, turn the close direction potentiometer (see page 9) one turn higher, press the **STOP** button, and try again. Repeat this process until the gate no longer causes false tripping of the current sensor. Note that each time the gate operator reverses, the **STOP** button must be pressed. Next, turn the close direction potentiometer lower slowly while the operator is running the gate closed until the gate operator stops and reverses again. From this point, turn the close direction potentiometer higher by 1 1/2 turns for all 115 Volt AC and 24 Volt DC operators, and by 3/4 of a turn higher for all 230 Volt AC operators. Additional fine adjustment by 1/4 turns may be necessary to eliminate false triggering.

OPEN DIRECTION CURRENT SENSE ADJUSTMENT

Repeat the same process with the open direction potentiometer while running the gate in the open direction. Once this is done, run the gate through several complete cycles and make sure the gate does not false trip in either direction.

Multi-turn Potentiometer



Remember it is important not to set the adjustment too high! Doing so will defeat the purpose of the current sensing as an obstruction detecting feature.

MAXIMUM RUN TIMER ADJUSTMENT

This adjustable potentiometer sets the maximum length of time the motor will run before shutting down. It should be configured for the time it takes to run the gate fully open or closed, plus an additional 15 seconds. See page 9 for details.

AUTO CLOSE TIMER ADJUSTMENT

This adjustable potentiometer sets the length of time which elapses before the gate operator automatically closes the gate, from the fully open position, provided no open, reversing, or obstruction signals are present. This feature can be turned on or off via dip switch selection. See page 9 for details. **Do not use the auto close timer without an appropriate reversing device installed!**

MASTER/SLAVE CONNECTION

A three-wire shielded conductor cable is required to connect master and slave operators. You must use Belden 8760 Twisted Pair Shielded Cable (or equivalent) **only** – OSCO part number 2500-1982, per foot). See page 9 for details of this connection, as well as dip switch selection. Note: The SHIELD wire should be connected in both the master and slave operators. **In addition, you must run power to both the master and slave operators.**

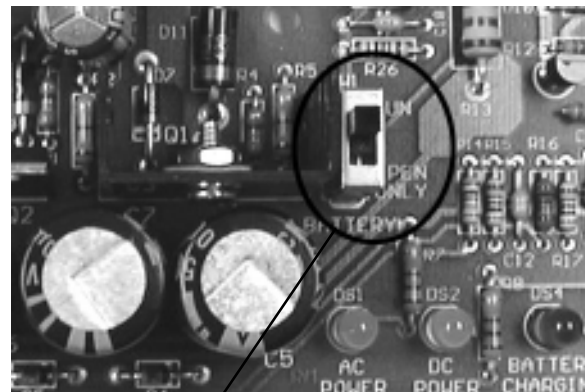
BATTERY BACK-UP

FOR DC MODELS ONLY

CHARGER BOARD CONFIGURATION

To set the voltage monitor, see the picture below. The **RUN** position will monitor the voltage of the battery only after AC voltage has been interrupted. It will allow the operator to continue to function until the batteries have dropped to 17 volts. When the batteries have reached 17 volts, the operator will open and shut down until AC power has been restored. In the **OPEN ONLY** position when AC power has been interrupted the operator will open and shut down until AC power is restored.

Note: If the charger board is set to open only, removing incoming power will cause the operator to run to full open position. Turn off power switch in operator before removing incoming power!



VOLTAGE MONITOR SHOWN ABOVE IN THE RUN POSITION

ONBOARD L.E.D. INDICATOR DESCRIPTIONS

Control Board L.E.D. Indicators:

OPEN	This indicator is lit when an open signal is present. This signal can come from such devices as button stations, radio receivers, keypads and telephone entry systems.
CLOSE	This indicator is lit when a closed signal is present. This signal typically comes from three-button stations.
STOP	This indicator is lit when there is a break in the stop circuit. Make sure there is a stop button wired in and working properly.
SINGLE	This indicator is lit when a signal from a single-button station or radio receiver is present.
CLOSE OBST	This indicator is lit when a close obstruction signal is present. This signal can come from edges and photo eyes which have been wired to the close obstruction inputs.
OPEN OBST	This indicator is lit when an open obstruction signal is present. This signal can come from edges and photo eyes which have been wired to the open obstruction inputs.
SAFETY LOOP	This indicator is lit when a reversing signal is present. This signal is generated by a loop detector wired to the safety loop terminals.
SHADOW LOOP	This indicator is lit when a shadow/hold open signal is present. This signal is generated by a loop detector wired to the shadow loop terminals.
<u>LH</u> <u>RH</u>	
LSC-1 LSO-1	These indicators are lit when the open limit switch is activated on a right-hand operator, or the close switch on a left-hand. If this indicator is lit and the gate is not in its full open/closed position, the limit may need adjusting or the limit switch may need replacing.
LSC-2 LSO-2	
LSO-1 LSC-1	These indicators are lit when the close limit switch is activated on a right-hand operator, or the open on a left-hand. If this indicator is lit and the gate is not in its full open/closed position, the limit may need adjusting or the limit switch may need replacing.
LSO-2 LSC-2	

Motor Board L.E.D. Indicators:

NON LABELED	One of these two indicators will be lit when the motor is running the gate open, and the other is lit when the motor is running the gate closed.
BRAKE REL.	This indicator is lit when the brake is NOT applied.

DC Operators Only:

AC POWER	Indicates AC power is supplying the unit.
DC POWER	Indicates the operator is running on batteries.
BATTERY CHARGING	Indicates batteries are being charged. Light goes out when batteries reach 90% of full charge.
OPEN GATE	Operator is in open then lockout stage.
POWER LOCKOUT	Flashes when controls/motor are in lockout mode.

SLR • SLC • SLD OPERATOR INSTALLATION GUIDE

IMPORTANT NOTES FOR INSTALLATION OF MASTER/SLAVE APPLICATIONS

When setting up Master/Slave gate operators, it is best to make adjustments and run each operator individually. To do this, simply:

- a. Set Dip Switch #4 to proper hand of operation (right-hand or left-hand)
- b. Set Dip Switch #8 as Master (off)

Run each operator making current sensing adjustments as necessary, as indicated on the Control Board Adjustments page of this installation guide. When both operators have been adjusted, turn power off, then turn on Dip Switch #8 in the operator chosen as the Slave.

The timer to close and radio/single button behavior are set in the Master operator.

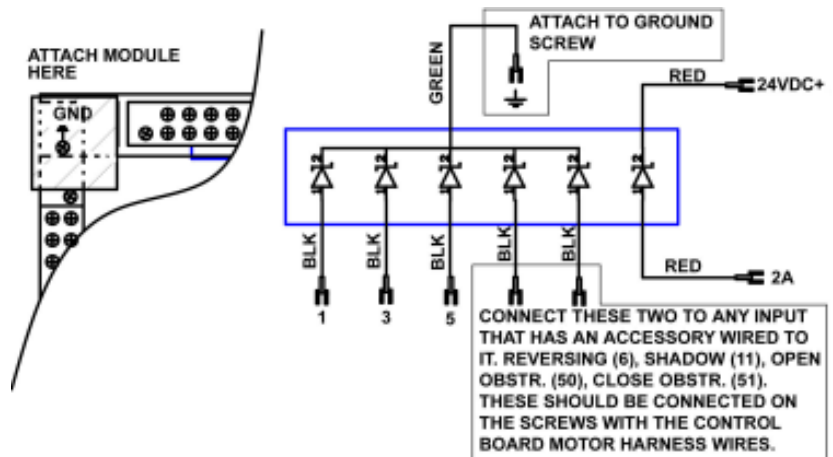
The following selections are set individually:

- Current Sensing
- Maximum Run Timer
- One-Second Lock Release
- Three-Second Pre-Start Warning
- Right/Left-Hand Selections

SURGE PROTECTOR INSTRUCTIONS

The optional surge protector should be connected to any inputs that have an accessory connected to it. This includes the 3-button station, so it must be connected to 1, 2A and 3 in all cases. The green wire connected to ground, which is electrically the same as terminal 4. The red wires connect to terminals 2A and 24VDC+. This will cause the 2 amp fuse to blow if this section of the module becomes shorted. With any of the other inputs connected to the surge protector, if their protection line becomes shorted due to a surge over the rating of the module, the corresponding LED on the main board will remain lit, causing a constant signal to the controller. If this is found, please replace the entire surge protector with a new unit.

Do not simply unhook the shorted wire, as this removes the protection from the circuit that was saved by the protector in the first place!

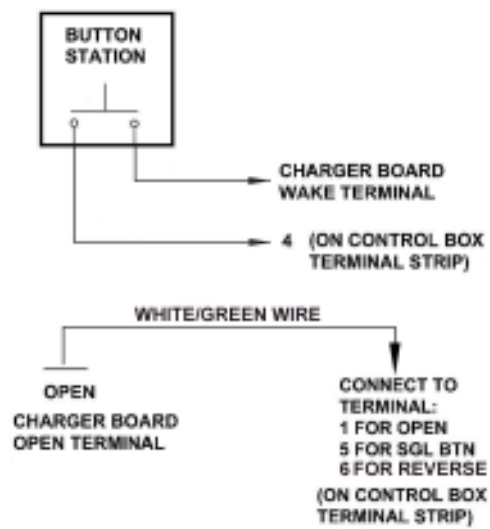
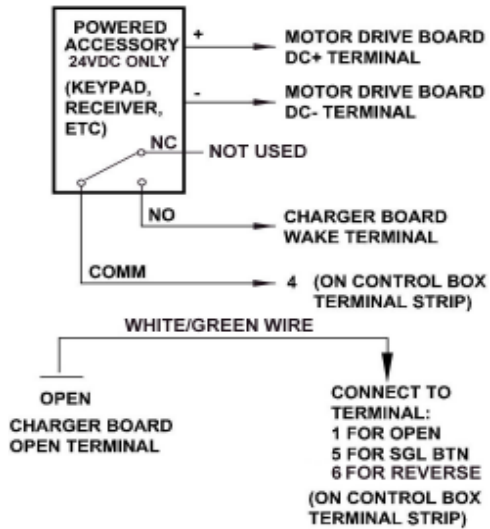
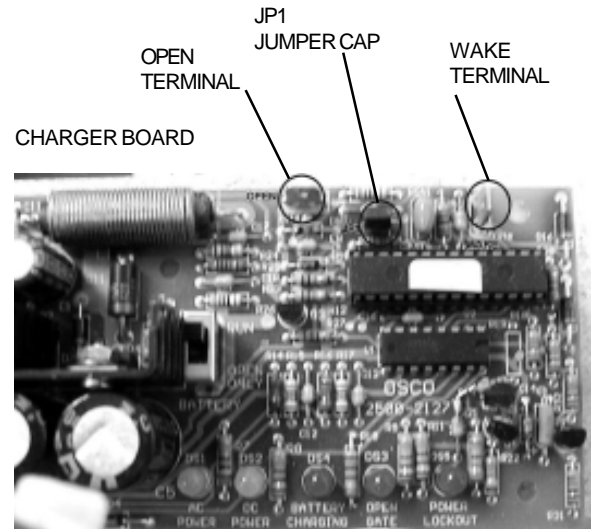


SLR • SLC • SLD OPERATOR INSTALLATION GUIDE

CHARGER BOARD SLEEP MODE

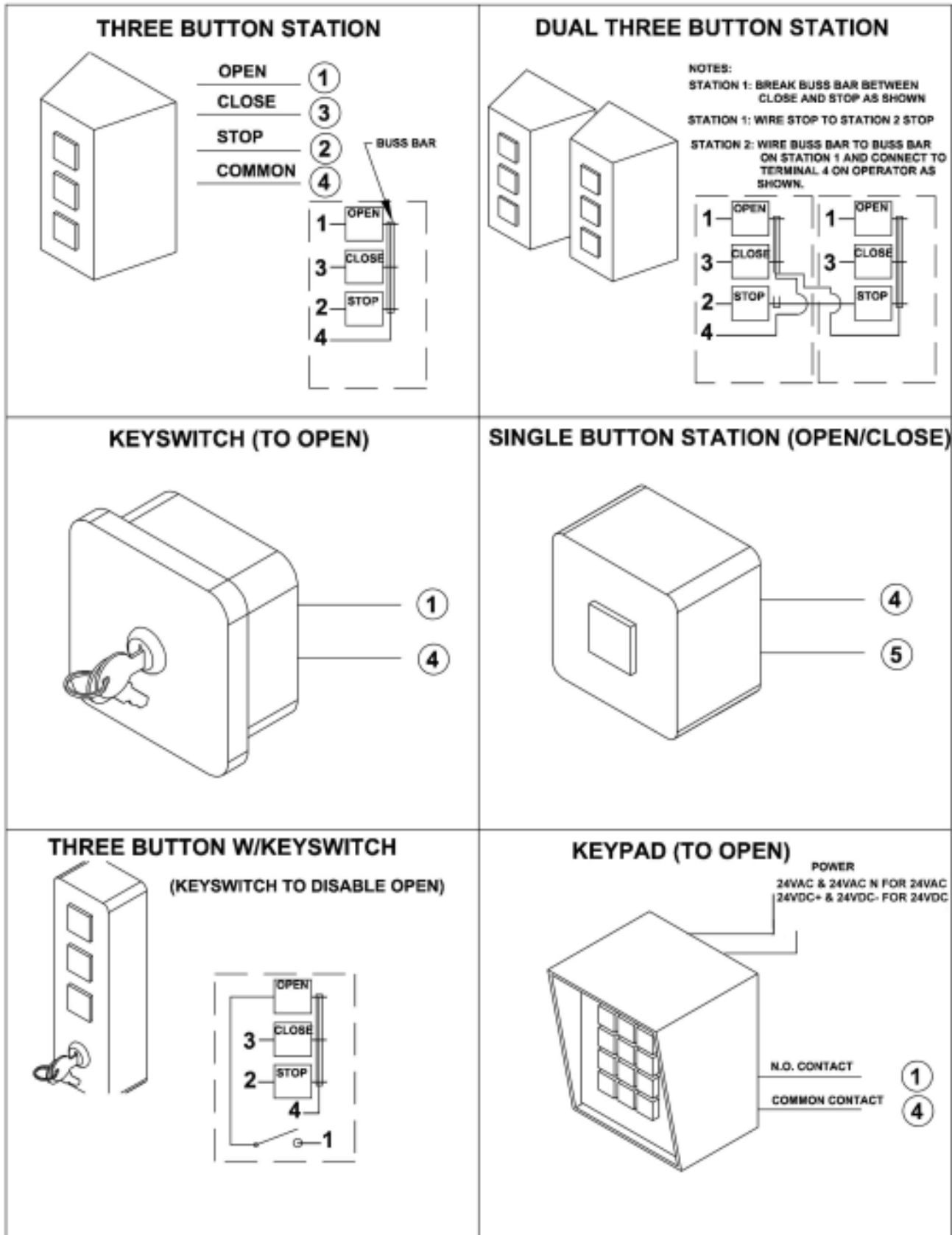
When primary AC power is not available, the operator will continue to operate in battery only mode if the charger board is set in its RUN mode (see **Battery Backup Charger Configuration**). Accessories wired into the operator will continue to draw power, even when the operator is not opening or closing the gate. This can dramatically reduce the amount of standby time available from the batteries.

To extend the available standby time, the charger board has a “sleep” mode feature which will turn off power to all controls except for any that are wired according to the schematics below. By removing the black jumper cap **JP1** located in the upper right hand corner of the charger board this feature can be enabled. After fifteen minutes of inactivity, all controls except those wired as shown below will turn off. Those wired as shown will continue to have power at all times and will upon activation generate first a “wake” signal that will power all controls back up, and then create either an open signal or single button signal, depending on how the wire jumper shown below is connected.

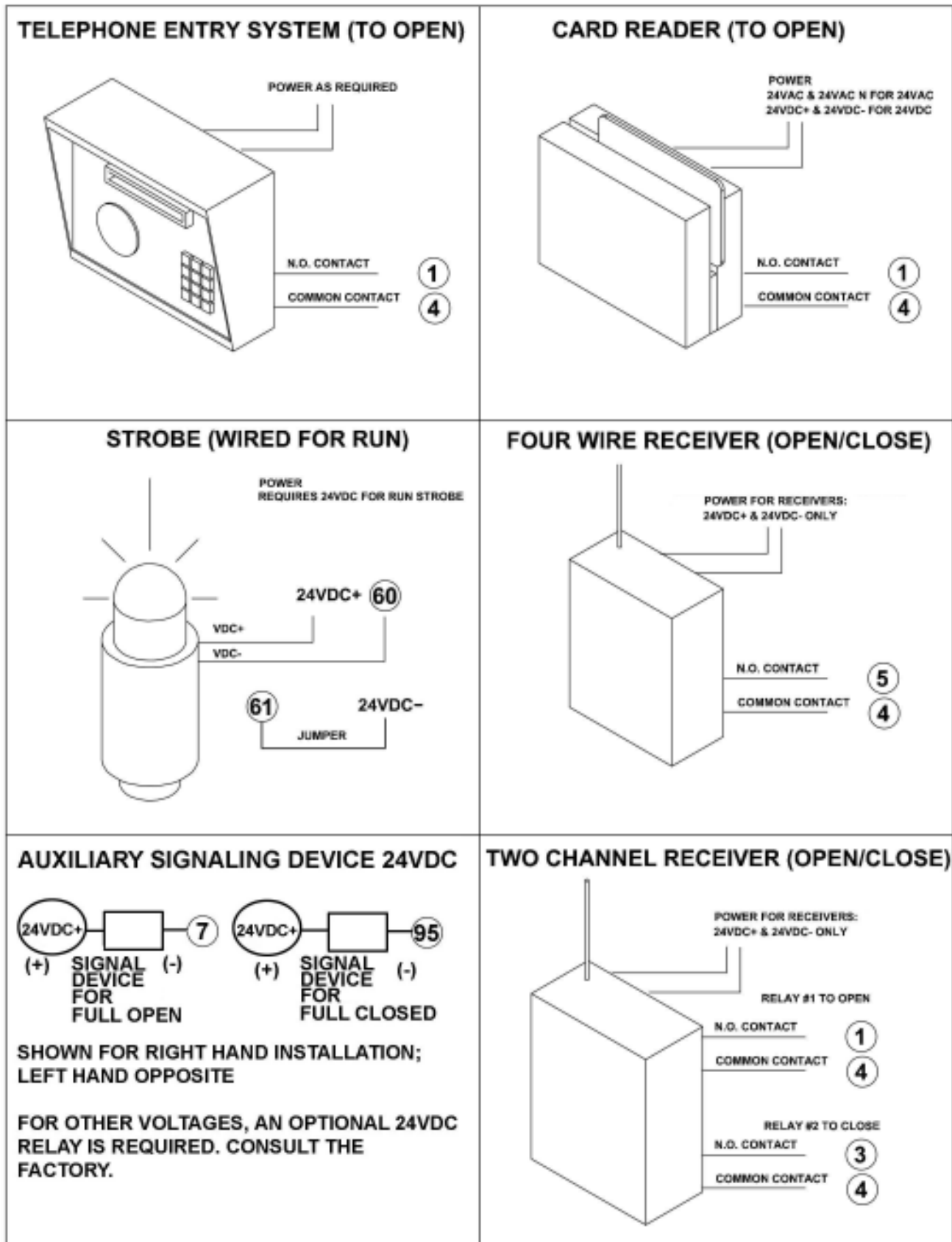


SLR • SLC • SLD OPERATOR INSTALLATION GUIDE

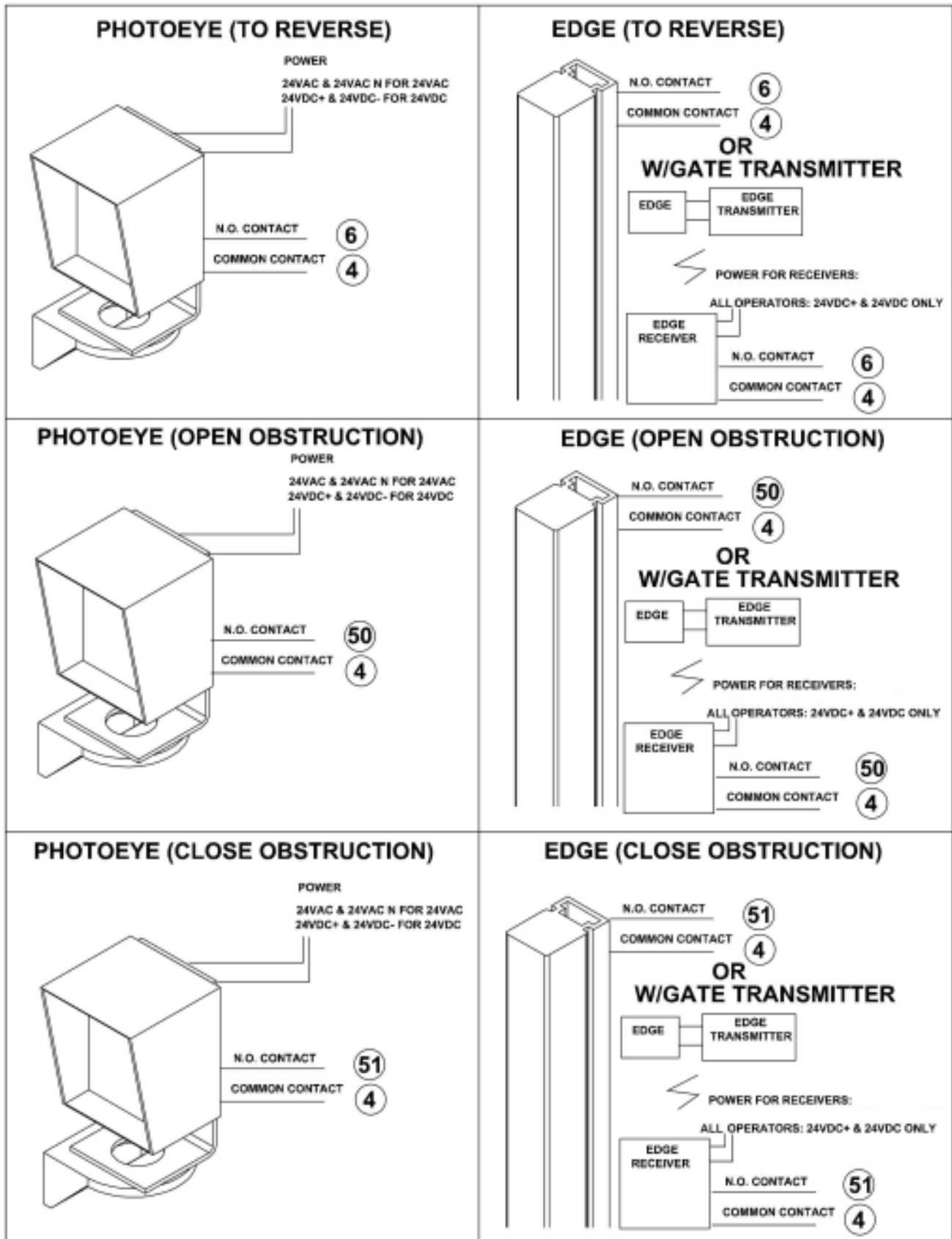
CONTROL and ACCESSORY CONNECTION ILLUSTRATIONS



CONTROL and ACCESSORY CONNECTION ILLUSTRATIONS



CONTROL and ACCESSORY CONNECTION ILLUSTRATIONS

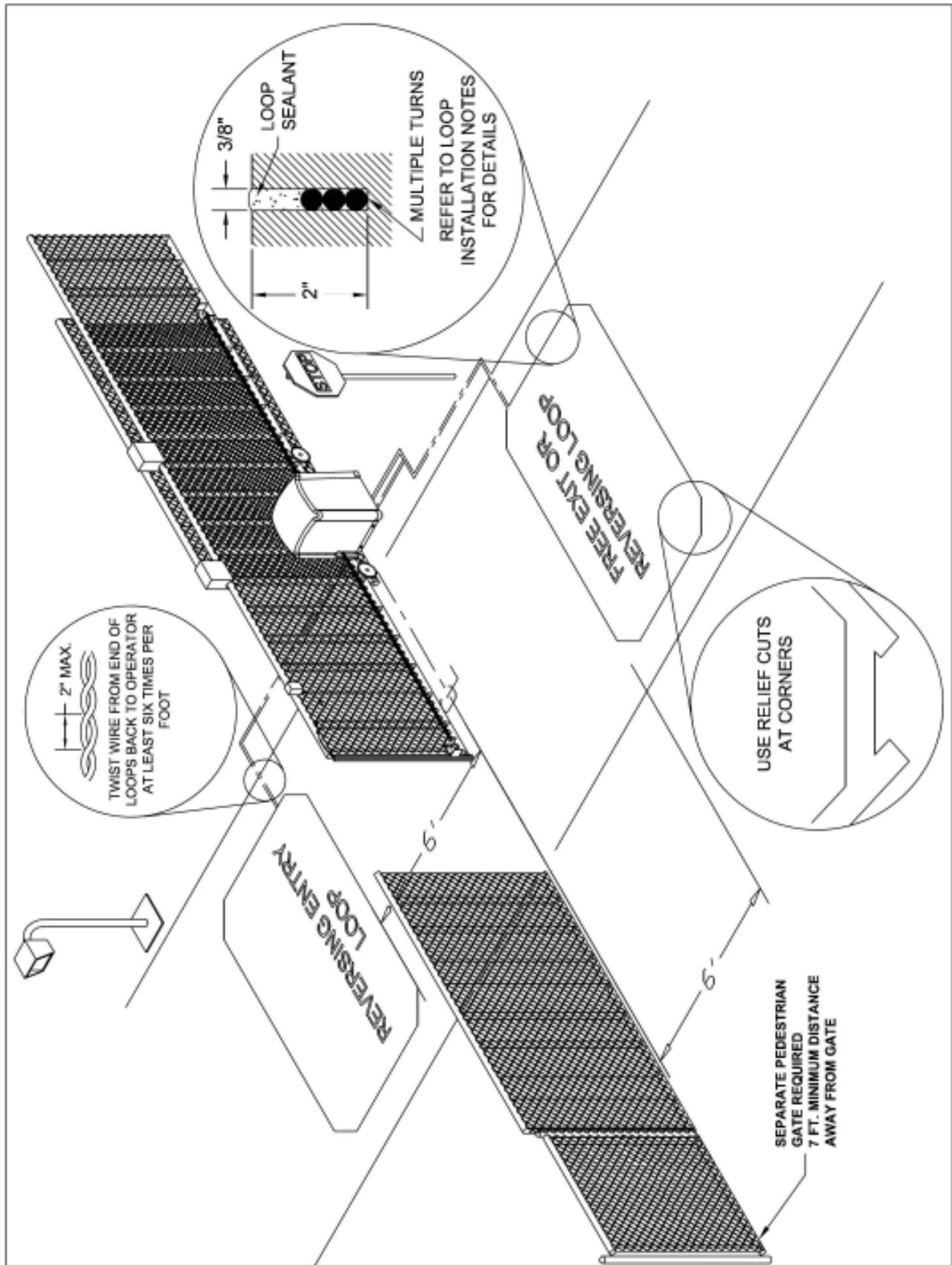


CONTROL and ACCESSORY CONNECTION ILLUSTRATIONS

<p>LOOP DETECTOR (OPEN/FREE EXIT)</p> <p>POWER 24VAC & 24VAC N FOR 24VAC 24VDC+ & 24VDC- FOR 24VDC</p> <p>N.O. CONTACT (1) COMMON CONTACT (4)</p> <p>TO LOOP</p> <p>REMEMBER TO TWIST LOOP WIRE</p>	<p>WIRES 17, 18, AND 19 ARE LOCATED IN THE MIDDLE OF THE J2 CONNECTOR</p> <p>WIRES 17, 18, AND 19 FOR MAGLOCK AND SOLENOID CONNECTIONS</p>
<p>LOOP DETECTOR (TO REVERSE)</p> <p>POWER 24VAC & 24VAC N FOR 24VAC 24VDC+ & 24VDC- FOR 24VDC</p> <p>N.O. CONTACT (6) COMMON CONTACT (4)</p> <p>TO LOOP</p> <p>REMEMBER TO TWIST LOOP WIRE</p>	<p>SOLENOID LOCK</p> <p>SOLENOID (18) POWER 2 (17) POWER 1 (17)</p> <p>MAKE SURE TO MATCH POWER VOLTAGE TO LOCK RATING (17 & 18 ARE NORMALLY OPEN CONTACTS, 10 AMP RATING)</p>
<p>LOOP DETECTOR (SHADOW/HOLD OPEN)</p> <p>POWER 24VAC & 24VAC N FOR 24VAC 24VDC+ & 24VDC- FOR 24VDC</p> <p>N.O. CONTACT (11) COMMON CONTACT (4)</p> <p>TO LOOP</p> <p>REMEMBER TO TWIST LOOP WIRE</p>	<p>24VDC MAGLOCK</p> <p>MAG LOCK (+) (19) 24VDC- (17) 24VDC+</p> <p>HEATER ASSEMBLIES (AC MODELS ONLY)</p> <p>STICK-ON HEATER LL2 L11</p> <p>LL2</p> <p>ON OFF</p> <p>T'STAT THERMOSTAT</p> <p>CAGE HEATER</p> <p>L11 OR LL1 (3 PHASE MODELS ONLY)</p>

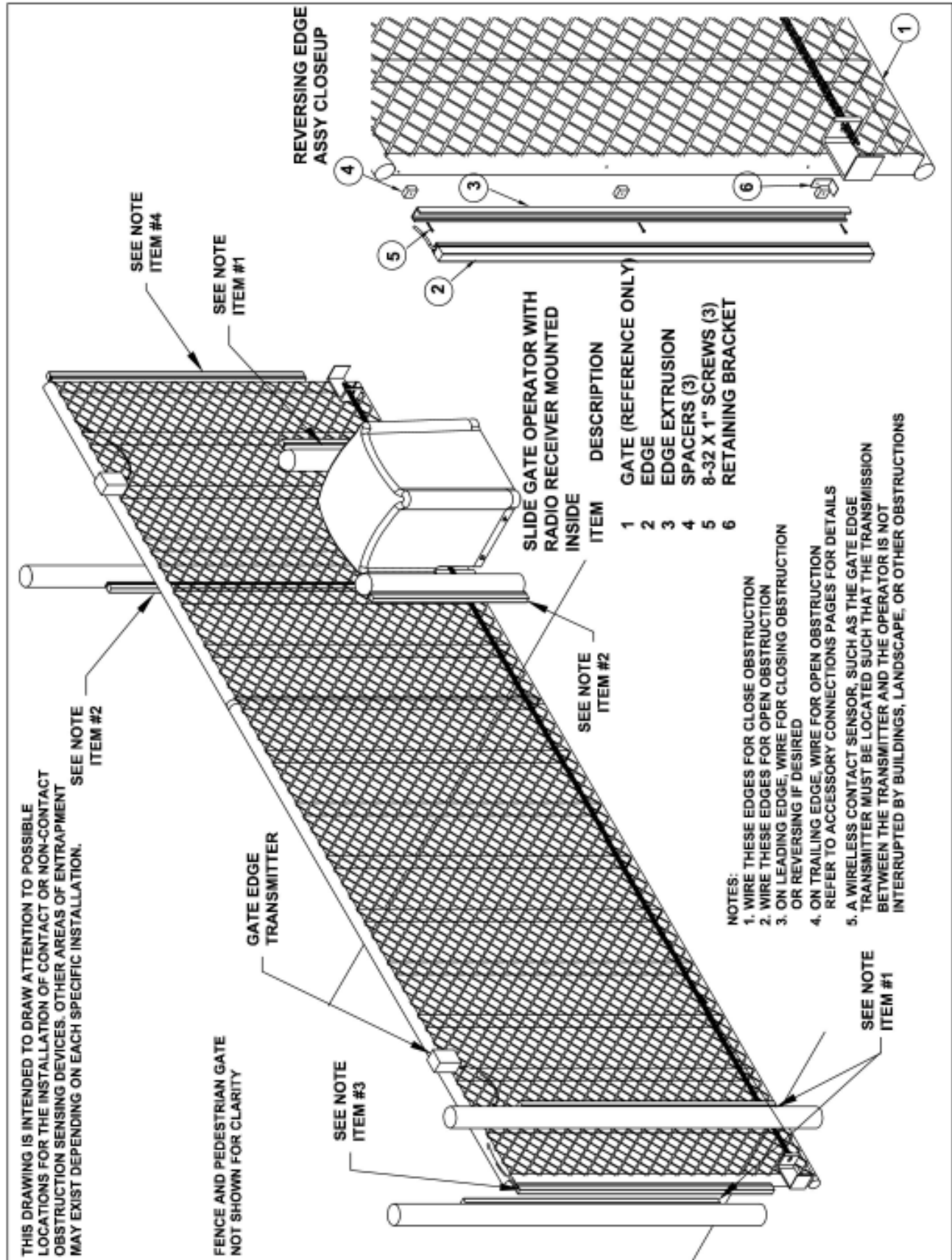
SLR • SLC • SLD OPERATOR INSTALLATION GUIDE

LOOP LAYOUT ILLUSTRATION



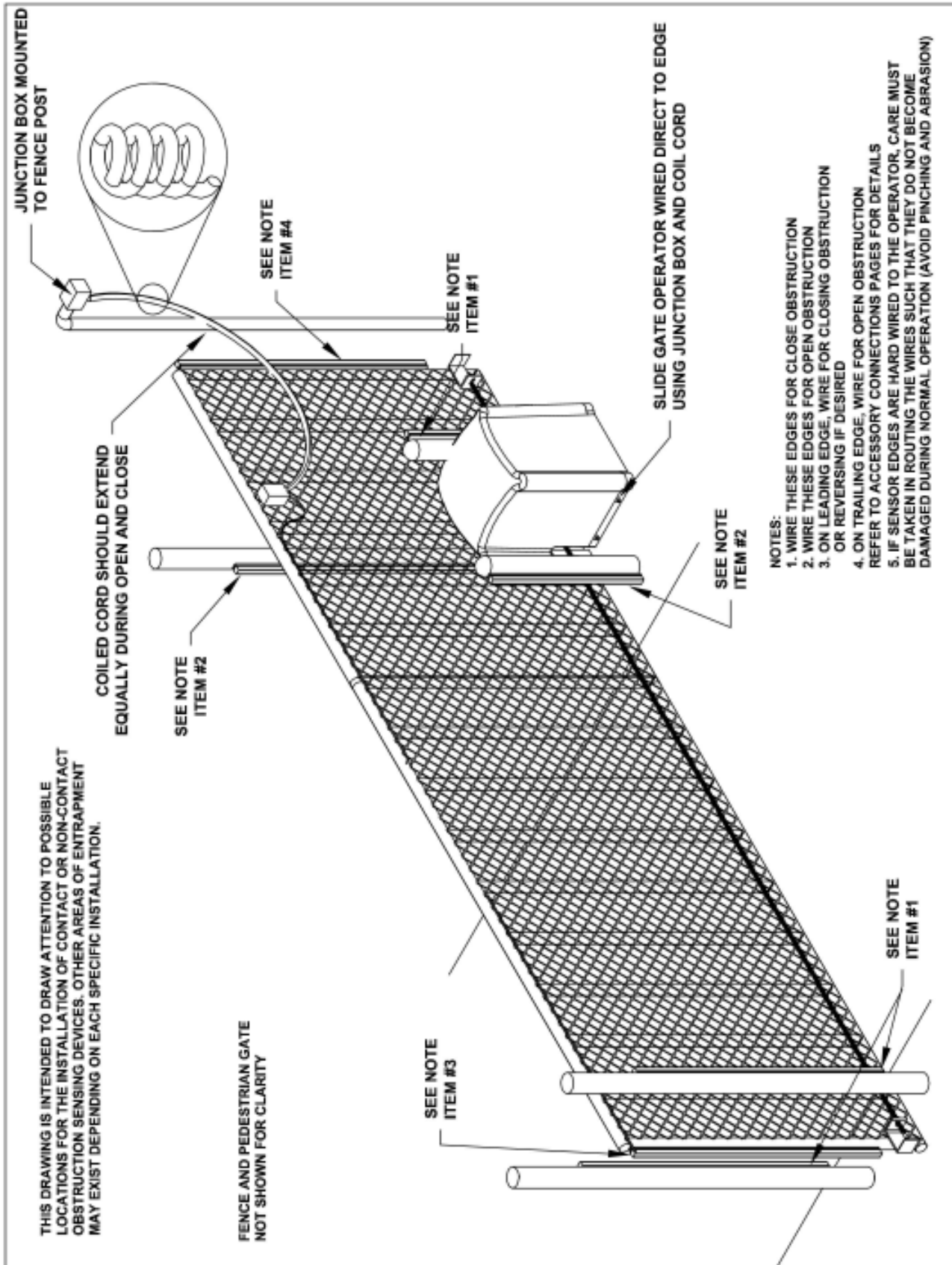
Refer to Connection Descriptions on page 10 and Loop Accessory Connections on page 18 for details.

EDGE LAYOUT ILLUSTRATION #1



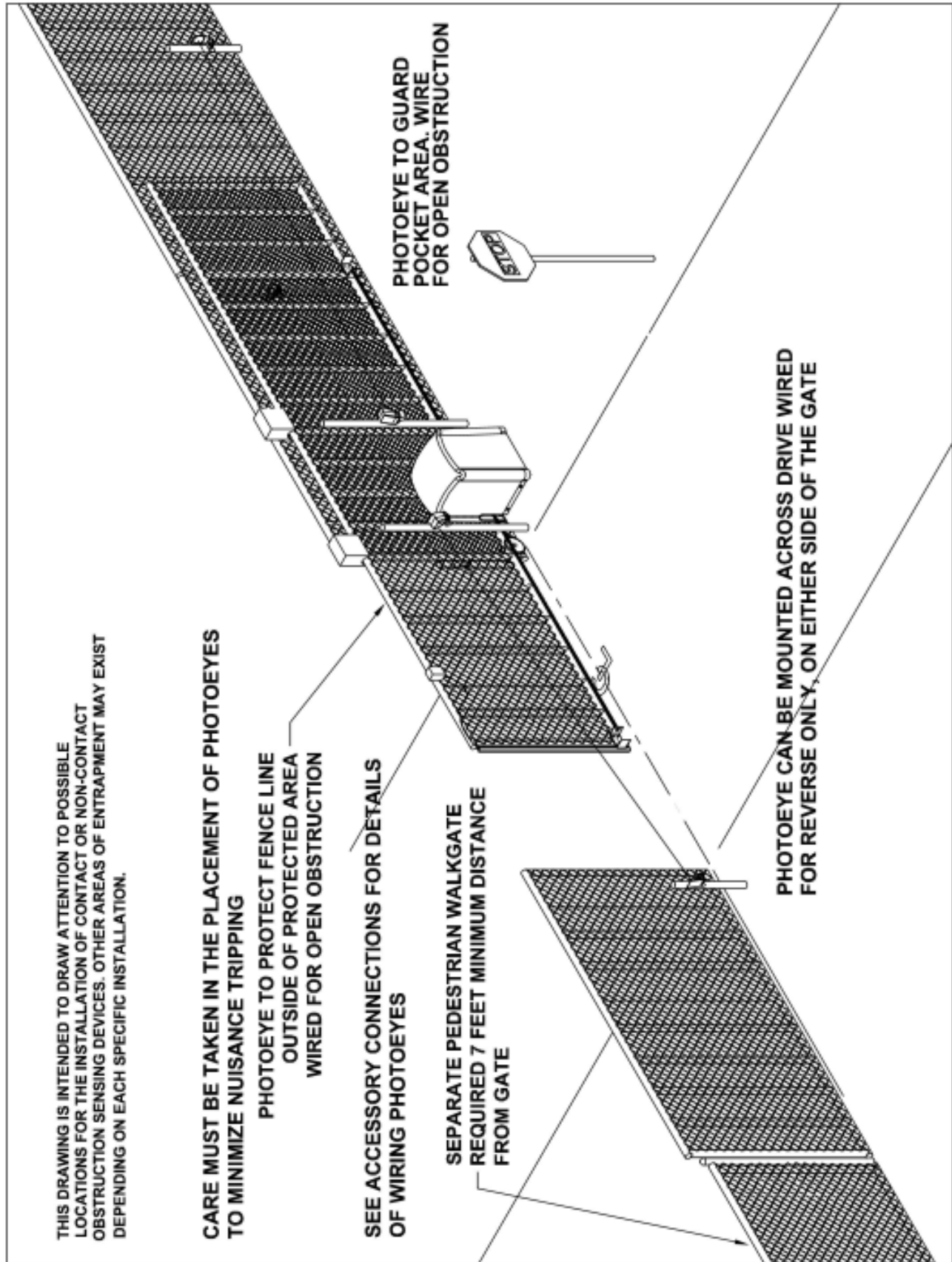
Refer to Connection Descriptions on page 10 and Contact Edge Connections on page 17 for details.

EDGE LAYOUT ILLUSTRATION #2



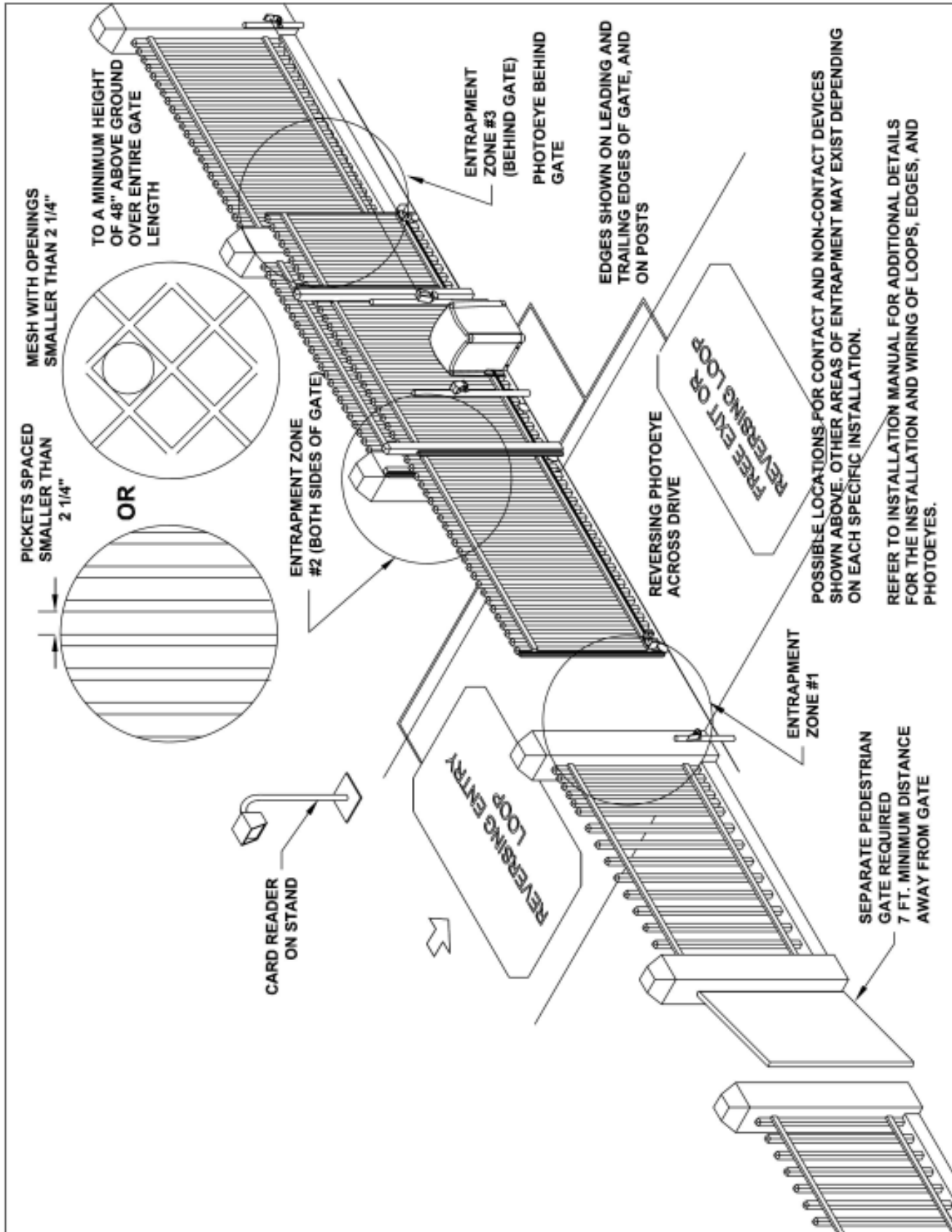
Refer to Connection Descriptions on page 10 and Contact Edge Connections on page 17 for details.

PHOTO EYE ILLUSTRATION



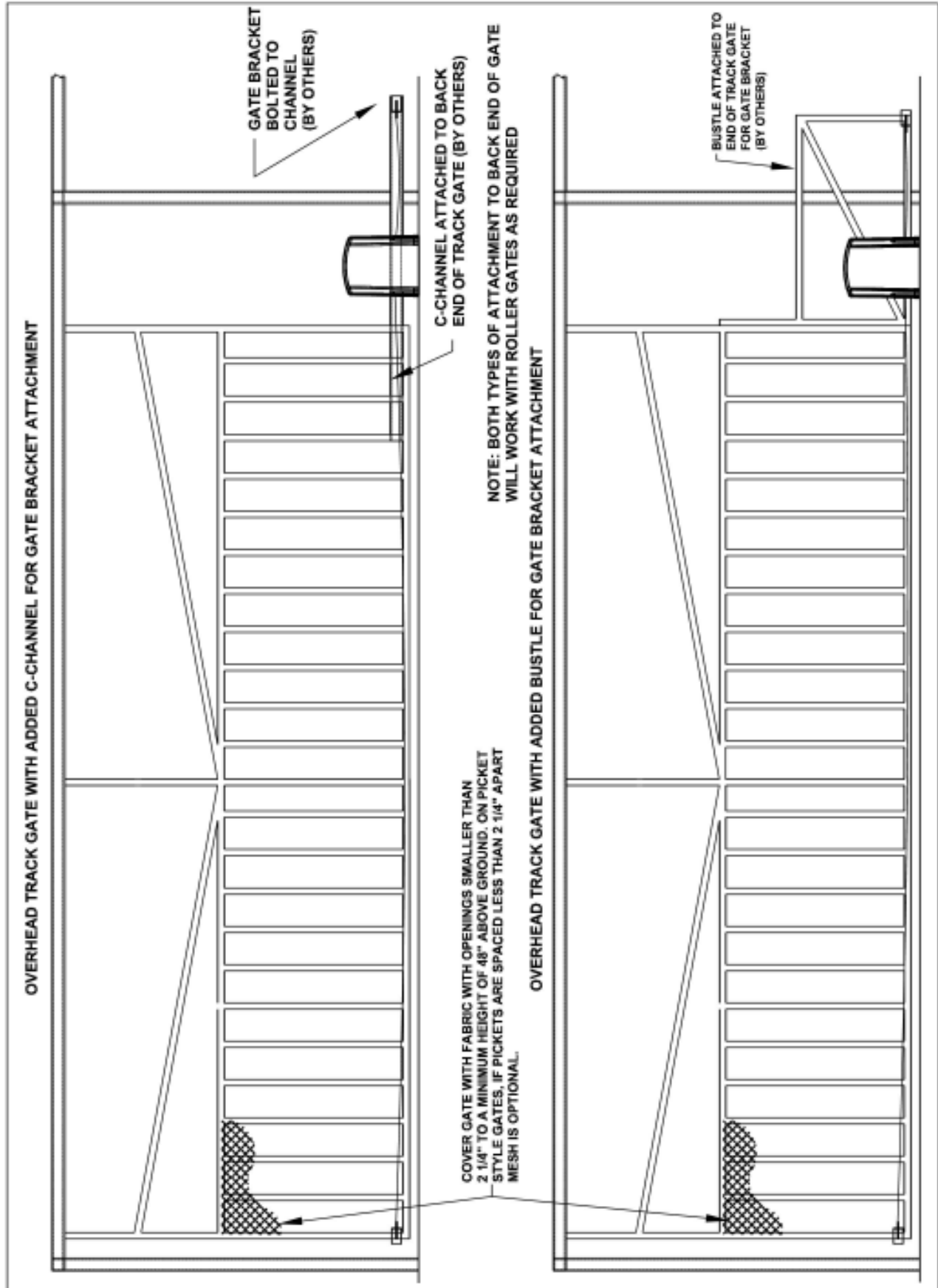
Refer to Connection Descriptions on page 10 and Photo Eye Connections on page 17 for details.

PICKET GATE ILLUSTRATION



Refer to Connection Descriptions on page 10 and Accessory Connections on pages 15-18 for additional details.

TRACK GATE ILLUSTRATION



TROUBLESHOOTING

Operator fails to start:

- A. If the operator has been running a large number of cycles, the motor may have gotten hot and tripped the overload. Allow the motor to cool down and the overload will reset automatically.
- B. Make sure you have power at the master distribution panel and that the power has not been turned off.
- C. The secondary fuse on the control board may have blown. Replace the fuse (refer to control box parts list on page 30 [SLR & SLC] and page 33 [SLD] for part number information).

Motor operates, but gate does not move:

- A. In operators with torque limiters and friction pad clutches, check for signs of slipping. You can mark the sprocket and clutch with a yellow or white grease pen and watch for the lines to move apart if slipping is taking place. Adjust the torque limiter tighter if this is the problem.
- B. Check for broken chain or worn belts.
- C. Check all setscrews on pulleys and sprockets and tighten them if necessary, and check for keys which may have fallen loose from keyways.

Motor sounds like it is working harder than normal:

- A. Make sure the gate is moving freely and without binding throughout its entire travel.
- B. Check the drive chain for obstructions (if the operator has one).
- C. If the operator has an internal brake mechanism, make sure it is releasing.

Limit switch getting out of time:

- A. Check for proper tension on all limit chains to be sure there is no jumping taking place. Mark one tooth and its corresponding link and run the gate. If the marks have moved, the chain is skipping.
- B. Check the setscrews in limit sprockets for tightness. In rotary limit boxes, check the rotary limit nut for sloppiness or stripped threads. Replace if necessary.
- C. Check the chain tension along the output sprocket and idlers. Mark the chain and one tooth of the sprocket as described above and run the gate. Check for jumping.

Gate stopping part way open or closed (but no visible obstruction):

- A. The control board may have received a false obstruction input triggered by current sensing set too low. Make sure the gate moves freely through its entire travel before adjusting the current sensing.
- B. The maximum run timer may have counted down and expired. This can be caused by having the timer set too low, if a chain or belt is broken, or if a sprocket or pulley is slipping. When the timer expires, the gate stops and an alarm will sound.
- C. An obstruction signal from an accessory wired to the obstruction input may have triggered falsely. Check the control board for lit L.E.D. indicators for any of the following inputs: safety, shadow, open obstruction, close obstruction, stop, etc. If any are lit when the operator should be running, remove all devices hooked to that function and hook them up one at a time and try to run the operator until the problem device is found. Refer to page 12 for details on the control board indicators.

Gate staying open with automatic system:

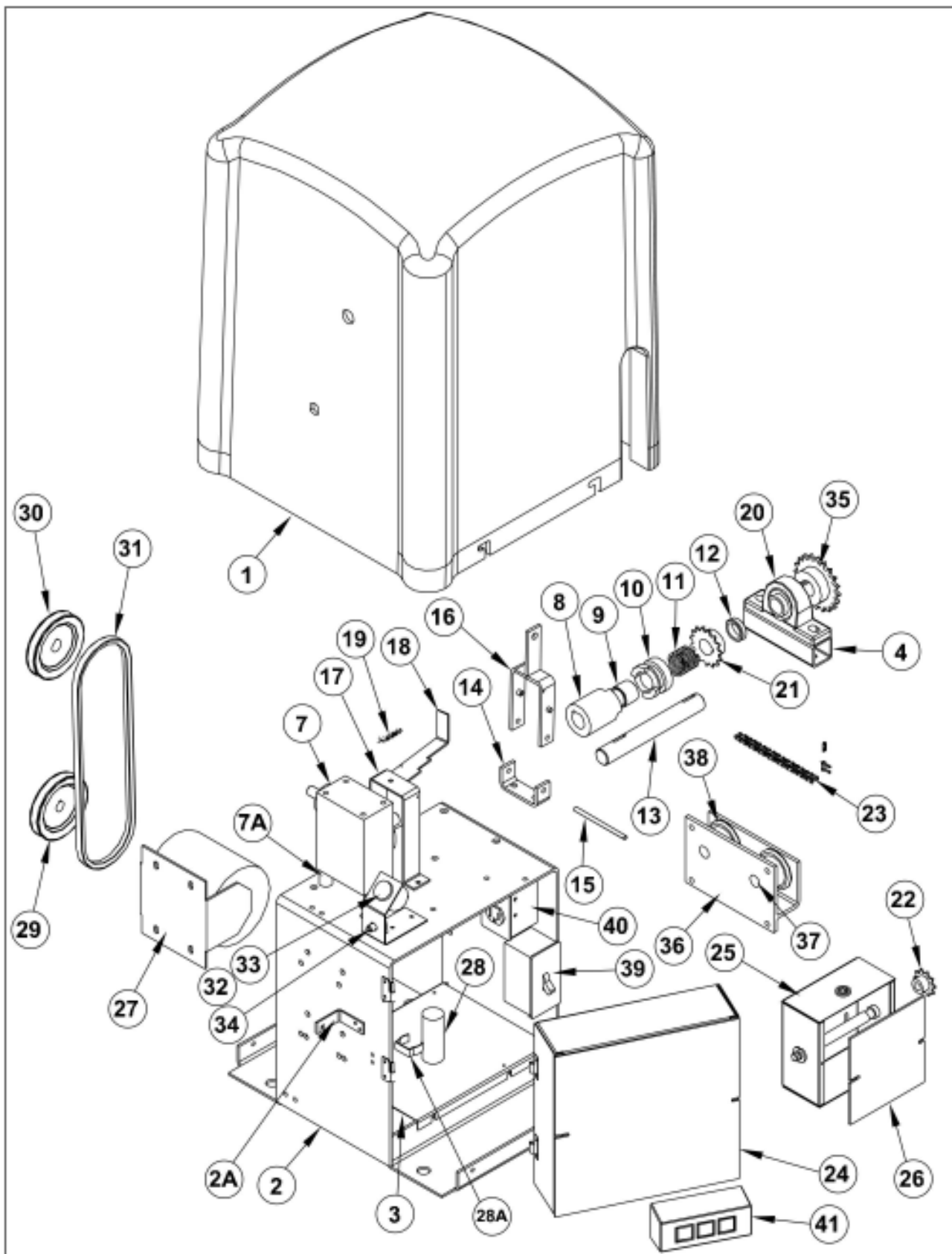
- A. If there are vehicle detectors in your machine which are set up for reverse, one of your loops or loop detectors may be sending a false signal. Disconnect the wire harness and try running the operator.
- B. An opening or reversing device may be stuck or malfunctioning. Try disconnecting these devices and hook them back up one at a time and try running the operator until the malfunctioning device is found.
- C. Make sure the close limit switch isn't activated. If it is, the operator will think the gate is already closed.

HOW TO ORDER REPLACEMENT PARTS

Use the part numbers listed on the following pages. Contact your **local OSCO dealer** or **distributor** to order parts.

1. Supply the model number and serial number of your operator.
2. Specify the quantity of pieces needed and order by part number and name of part.
3. State whether to ship by freight, truck, parcel post, UPS or air express.
4. State whether transportation charges are to be prepaid or collect.
5. Specify name and address of person or company to whom parts are to be shipped.
6. Specify name and address of person or company to whom invoice is to be sent.

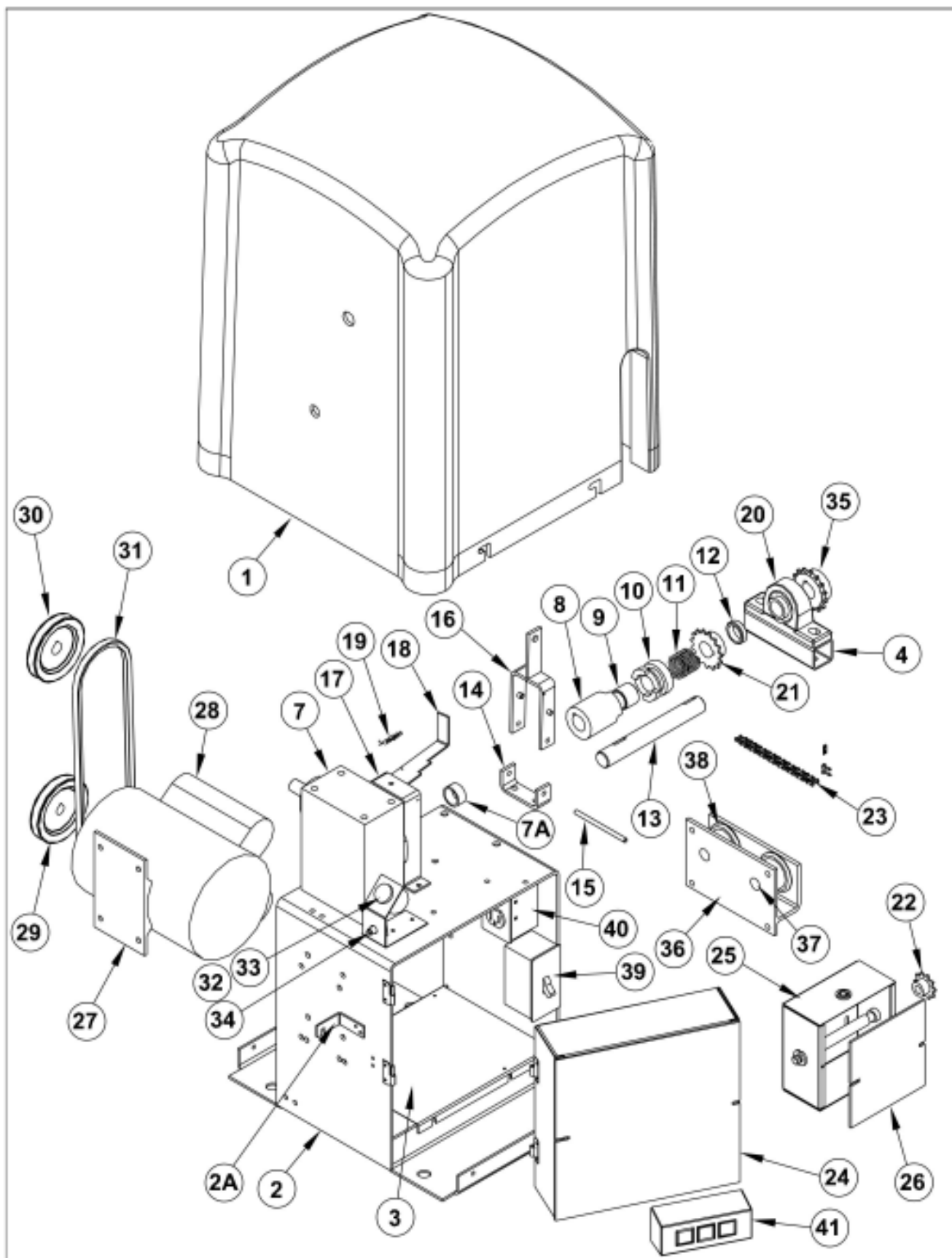
MODEL **SLR** MECHANICAL PARTS EXPLODED VIEW



MODEL **SLR** MECHANICAL PARTS LIST

REF NO.	PART NO.	DESCRIPTION	REF NO.	PART NO.	DESCRIPTION
1	2300-907	Operator Cover	29	2200-647	4" Pulley, 1/2" bore
	2510-354	Plunger Reset Assembly	30	2200-118	4" Pulley, 5/8" bore
	2500-2240	Plunger Reset Button	31	2200-013	V-Belt, 4L 31"
	2500-2241	Plunger Extension only	32	2510-366	Stop/Reset Button Alarm Assembly
	2200-790	Lock for Cover, with Keys	33	2500-867	Alarm
				2100-2058	Stop/Reset Button Bracket
			34	2500-1495	Stop/Reset Button
2	2110-796	Main Frame Assembly	35	2200-650	Sprocket, 41-B-24, 1" bore
2A	2100-2006	Lock Tab Bracket			
3	2100-2055	Bottom Shelf	36	2110-699	Idler Assembly
4	2100-1985	Pillow Block Tube Spacer	37	2100-1731	Idler Pin
			38	2300-697	Idler Wheel, UHMW
7	2200-942	Gear Reducer, 20:1			
7A	2100-1980	Gear Reducer Tube Spacer	39	2510-350-SLC1	115VAC Power On/Off Switch Assembly
8	2110-783	Reducer Coupler, with Oilite Bushing		2500-1957	115VAC Switch only
9	2200-117	Oilite Bushing for Coupler		2510-252-G	230VAC Power On/Off Switch Assembly
10	2100-2026	Disconnect Collar		2500-2205	230VAC Switch only
11	2200-115	Disconnect Collar Spring			
12	2200-014	Shaft Collar, 1" diameter	40	2510-353-SLC1	115VAC Outlet Enclosure Assembly (only available in 115VAC Models)
13	2100-1983	Drive Shaft, 1" diameter			
14	2100-1986	Disconnect Handle Fulcrum Bracket			
15	2100-549	Pin for Disconnect Handle	41	2510-064	Three-Button Station Assembly
	2400-169	Push-on Nut, 1/4" (not shown)			
16	2120-477	Disconnect Handle		2500-1956	Outlet only
17	2100-2060	Disconnect Fulcrum Bracket			
18	2100-2059	Disconnect Lever			
19	2200-939	Locking Handle Spring			
			<u>Parts from Accessory Box</u> (not shown in exploded view):		
20	2200-274	Pillow Block Bearing, 1" diameter		2100-2007	Gate Attachment Bracket
21	2200-042	Sprocket, 48-B-15, 1" bore		2400-170	U-Bolt, 3"
22	2200-008	Sprocket, 48-B-10, 1/2" bore		2100-054	#41 Chain Tension Bolt
23	2200-414	#48 Roller Chain, 23 Links		2200-367	Chain Spring
	2200-010	#48 Master Link		2200-027	#41 Master Link
				2200-150	#41 Chain, per foot
				2400-152	Square Head Bolt, 3/8
24		Controller (for Controller Parts List, see next page)			
			<u>Optional Parts:</u>		
25	2520-396-SLC	Limit Box Assembly with Cover		2100-2008	Accessory Shelf
	2100-057	Limit Shaft		2650-107	Remote Disconnect Kit
	2200-029	Oilite Bushing		2120-483	Post Mounting Kit
	2200-030	Limit Nut		2100-2010	Base Plate for Operator
	2200-193	1/2" E-Ring		2220-045	2" Torque Limiter with Bushing and 4" Pulley
	2300-946	Heyco Bushing with Wire Guards		2200-713	2" Torque Limiter only
	2500-440	Limit Switch		2300-693	Friction Disc Pair for Torque Limiter
	2100-261	Detent Plate		2200-877	Bushing for Torque Limiter
	2200-028	Detent Spring			
26	2300-945	Limit Box Cover			
27	2510-274	Motor Assembly, 115VAC, with Harness			
	2510-275	Motor Assembly, 230VAC, with Harness			
28	2500-1041	Capacitor for 115VAC			
	2500-552	Capacitor for 230VAC			
28A	2100-872	Capacitor Clamp			

MODEL **SLC** MECHANICAL PARTS EXPLODED VIEW

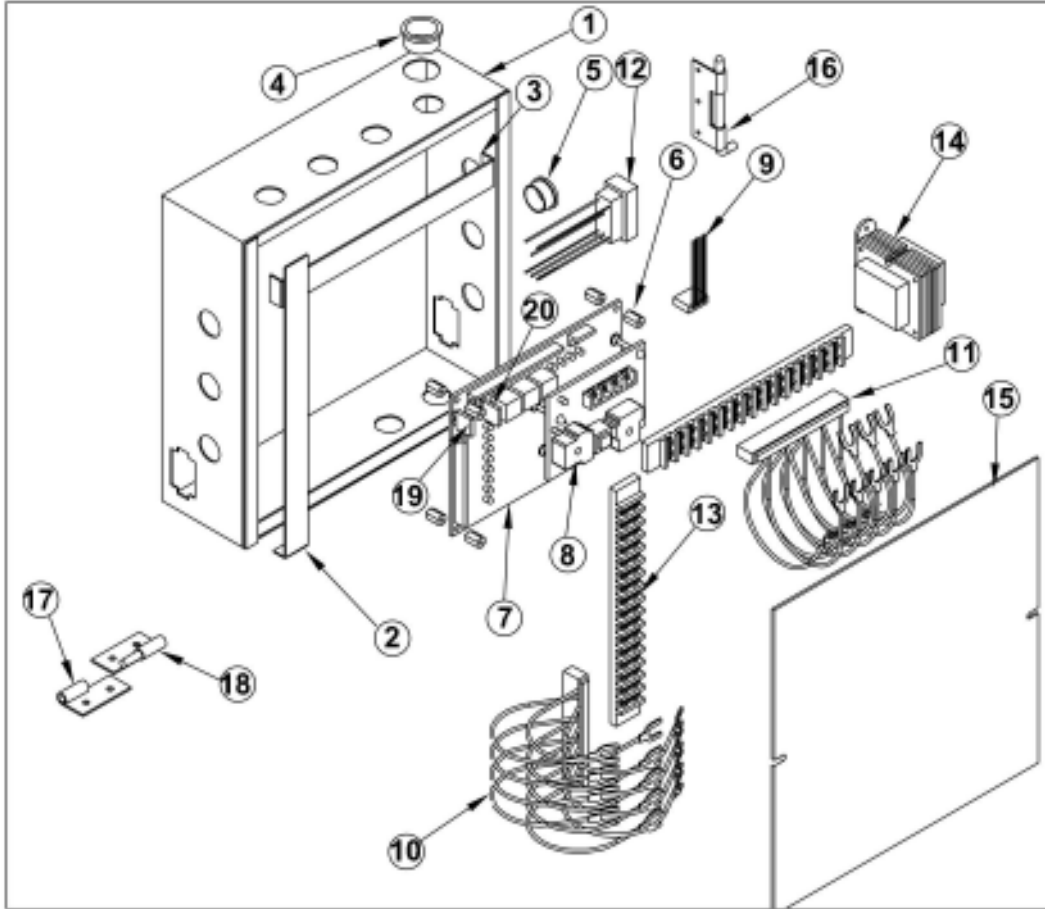


SLR • SLC • SLD OPERATOR INSTALLATION GUIDE

MODEL SLC MECHANICAL PARTS LIST

REF NO.	PART NO.	DESCRIPTION	REF NO.	PART NO.	DESCRIPTION
1	2300-907	Operator Cover			
	2510-354	Plunger Reset Assembly	28	2500-2336	Capacitors
	2500-2240	Plunger Reset Button		2500-2337	Capacitor for 2500-2307 Motor
	2500-2241	Plunger Extension only		2500-1926	Capacitor for 2500-2308 Motor
				2500-1930	Capacitor #1 for 2500-2309 Motor
				2500-1931	Capacitor #2 for 2500-2309 Motor
	2200-790	Lock for Cover, with Keys		2500-2338	Capacitor for 2500-2310 Motor
				2500-1932	Capacitor for 2500-2311 Motor
2	2110-796	Main Frame Assembly			Capacitor for 2500-2312 Motor
2A	2100-2006	Lock Tab Bracket	29	2200-118	Pulley, 4", 5/8" bore
3	2100-2055	Bottom Shelf	30	2200-955	Pulley, 4", 3/4" bore
4	2100-1985	Pillow Block Tube Spacer	31	2200-961	V-Belt, 4L, 35"
7	2200-954	Gear Reducer, 20:1	32	2510-366	Stop/Reset Button Alarm Assembly
7A	2100-2062	Reducer Spacer	33	2500-867	Alarm
8	2110-777	Reducer Coupler, with Oilite Bushing		2100-2058	Stop/Reset Button Bracket
9	2200-117	Oilite Bushing for Coupler	34	2500-1495	Stop/Reset Button
10	2100-2026	Disconnect Collar			
11	2200-115	Disconnect Collar Spring	35	2200-953	Sprocket, 41-B-15, 1" bore, 1/2 & 3/4HP
12	2200-014	Shaft Collar, 1" diameter, 3/8" LTB		2200-952	Sprocket, 40-B-15, 1" bore, 1HP only
13	2100-1983	Drive Shaft, 1" diameter			
14	2100-1986	Disconnect Handle Fulcrum Bracket	36	2110-699	Idler Assembly
15	2100-549	Pin for Disconnect Handle	37	2100-1731	Idler Pin
	2400-169	Push-on Nut, 1/4" (not shown)	38	2300-697	Idler Wheel, UHMW
16	2120-477	Disconnect Handle			
17	2100-2060	Disconnect Fulcrum Bracket	39	2510-350-SLC1	115VAC Power On/Off Switch Assembly
18	2100-2059	Disconnect Lever		2500-1957	115VAC Switch only
19	2200-939	Locking Handle Spring			
20	2200-274	Pillow Block Bearing, 1" diameter		2510-252-G	230VAC Power On/Off Switch Assembly
21	2200-042	48-B-15 Sprocket, 1" bore		2500-2205	230VAC Switch only
22	2200-008	48-B-10 Sprocket, 1/2" bore for drives less than 23 feet wide	40	2510-353	115VAC Outlet Enclosure Assembly (only available in 115VAC Models) Outlet only
	2200-041	48-B-15 Sprocket, 1/2" bore for drives 23 to 34 feet wide		2500-1956	
	2200-276	48-B-20 Sprocket, 1/2" bore for drives 34 to 47 feet wide	41	2510-064	Three-Button Station Assembly
23	2200-554	#48 Roller Chain, 14 Links (use with 2200-008)	<u>Parts from Accessory Box</u> (not shown in exploded view):		
	2200-966	#48 Roller Chain, 15 Links (use with 2200-041)		2100-2007	Gate Attachment Bracket
	2200-855	#48 Roller Chain, 16 Links (use with 2200-276)		2400-170	U-Bolt, 3"
	2200-010	#48 Master Link		2100-054	Chain Tension Bolt, #41
				2200-367	Chain Spring
				2200-027	Master Link, #41
				2200-150	Chain, #41, per foot
				2400-152	Square Head Bolt, 3/8"
24		Controller (for controller parts list see next page)	<u>Parts from Accessory Box (1HP only)</u> (not shown in exploded view):		
25	2520-396-SLC	Limit Box Assembly with Cover		2100-2007	Gate Attachment Bracket
	2100-057	Limit Shaft		2400-170	U-Bolt, 3"
	2200-029	Oilite Bushing		2100-258	Chain Tension Bolt, #40
	2200-030	Limit Nut		2200-306	Chain Spring
	2200-193	1/2" E-Ring		2200-006	Master Link, #40
	2300-946	Heyco Bushing with Wire Guards		2200-202	Chain, #40, per foot
	2500-440	Limit Switch		2400-152	Square Head Bolt, 3/8"
	2100-261	Detent Plate	<u>Optional Parts:</u>		
	2200-028	Detent Spring		2650-107	Remote Disconnect kit
26	2300-945	Limit Box Cover		2120-483	Post Mounting kit
				2100-2010	Base Plate for Operator
				2100-2008	Accessory Shelf
27	2500-2307	Motors 1/2 HP, 115V, 1 Phase	<u>1/2 and 3/4HP only:</u>		
	2500-2308	1/2 HP, 208/230V, 1 Phase		2220-045	2" Torque Limiter, with Bushing and 4" Pulley
	2500-2309	3/4 HP, 115V, 1 Phase			2" Torque Limiter only
	2500-2310	3/4 HP, 208/230V, 1 Phase		2200-713	Friction Disc Pair for Torque Limiter
	2500-2311	1 HP, 115V, 1 Phase		2300-693	Bushing for Torque Limiter
	2500-2312	1 HP, 208/230V, 1 Phase		2200-877	

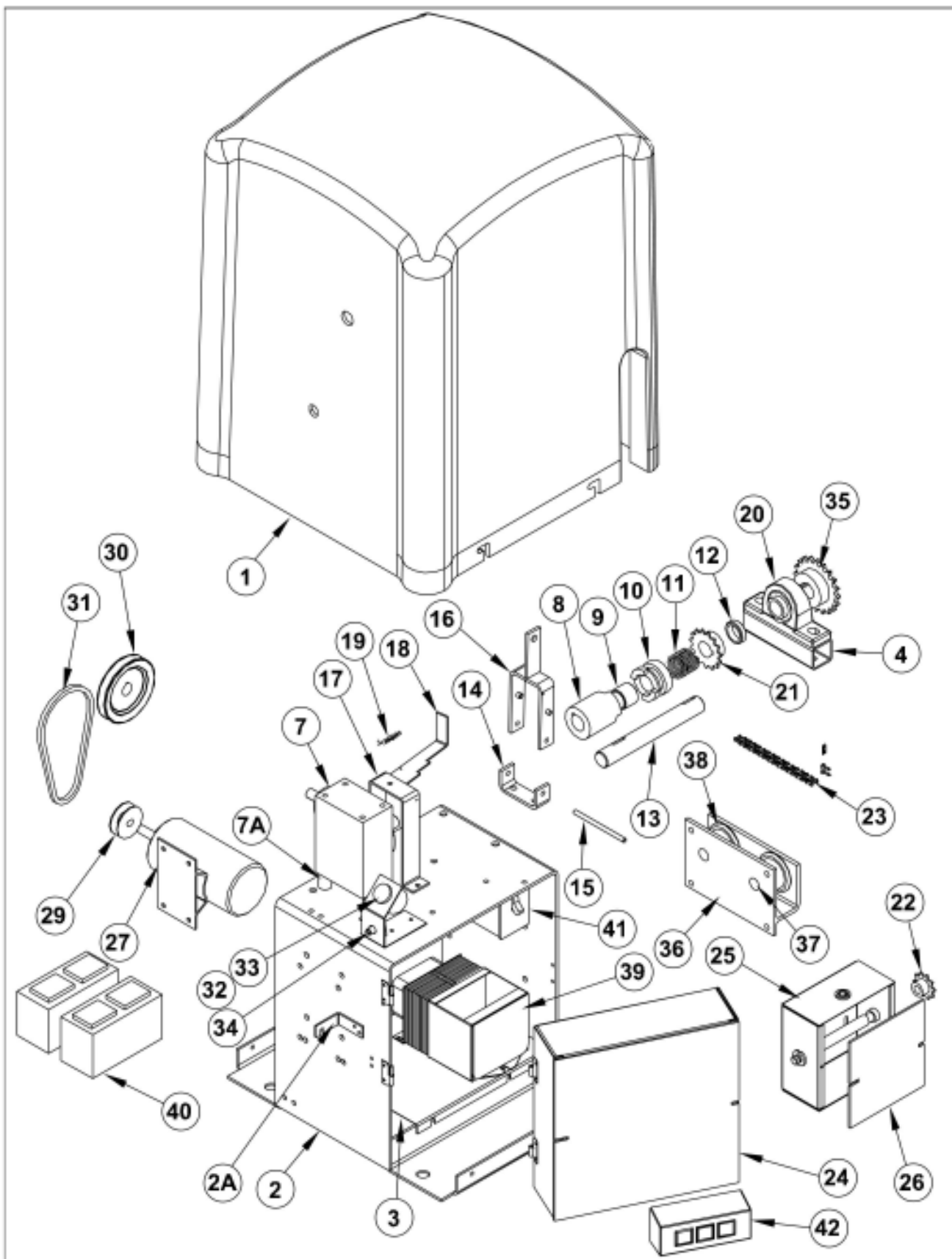
SLR • SLC • SLD OPERATOR INSTALLATION GUIDE



MODELS **SLR • SLC** CONTROL BOX PARTS LIST

REF NO.	PART NO.	DESCRIPTION	REF NO.	PART NO.	DESCRIPTION
1	2100-1778-PLT	Control Box Wrapper	17	2200-873-PLT	Control Box Hinge, female (riveted to control box)
2	2100-1762	Terminal Strip Bracket, output side	18	2200-874-PLT	Control Box Hinge, male (riveted to operator frame)
3	2100-1761	Terminal Strip Bracket, input side	19	2500-1966	2 Amp Fuse for Control Board
4	2300-735	Heyco Bushing, 1.09 diameter	20	2500-1975	3 Amp Fuse for Control Board
5	2200-122	Heyco Bushing, .87 diameter		2520-391-G	Complete Controller Assembly 115VAC (order limit harness and mounting hardware separately)
6	2500-1948	Control Board Standoff		2520-392-G	Complete Controller Assembly 230VAC (order limit harness and mounting hardware separately)
7	2510-268	Control Board		2200-035	90-degree Flex Connector (not shown)
8	2500-1946	AC Motor Drive Board		2200-967	Flex Conduit, 17" long (not shown)
9	2510-244	Control Board with AC Motor Board			
10	2510-370	Limit Switch Harness Assembly			
11	2510-249	Input Wire Harness Assembly			
12	2510-250	Output Wire Harness Assembly			
13	2510-261	Control Box Motor Harness Assembly			
14	2500-071	Terminal Strip, 16-141			
15	2500-212	Transformer, 115/24VAC, 40VA			
16	2500-791	Transformer, 230/24VAC, 40VA			
	2300-696	Clear Control Box Cover			
	2200-940	Pull Pin Disconnect			

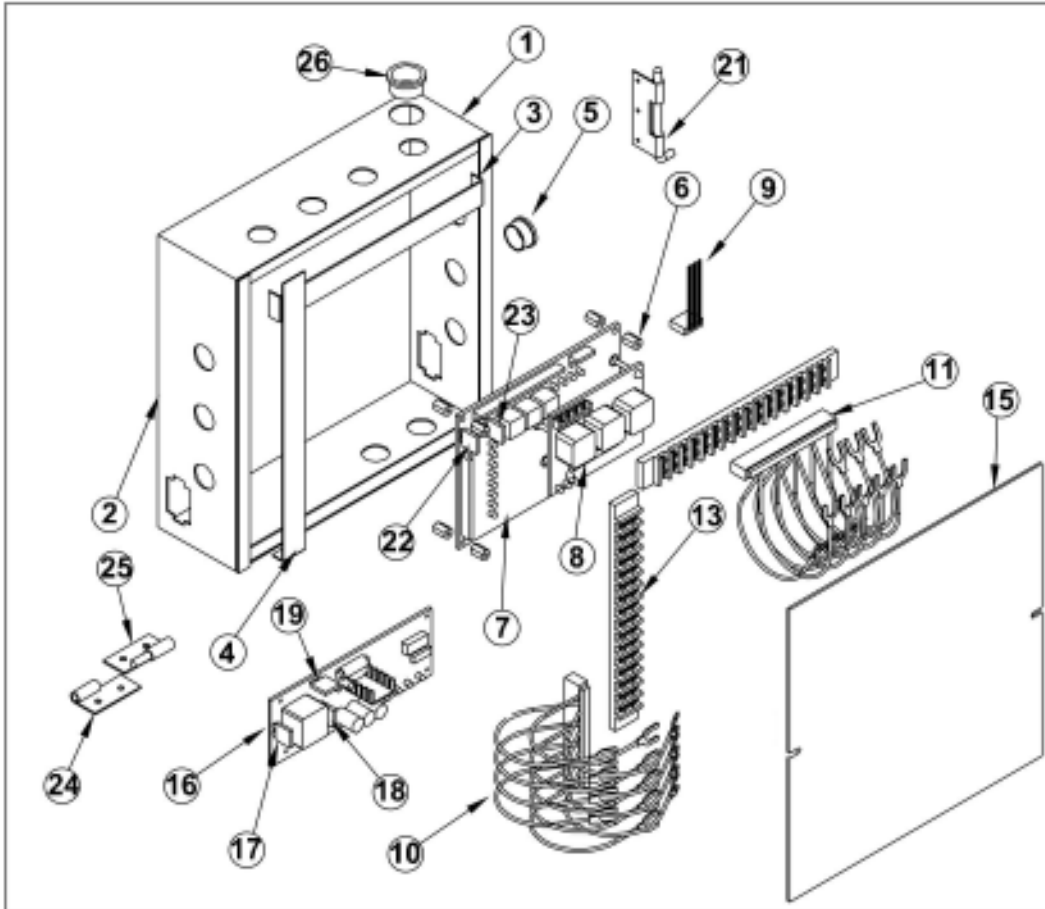
MODEL **SLD** MECHANICAL PARTS EXPLODED VIEW



MODEL **SLD** MECHANICAL PARTS LIST

<u>REF NO.</u>	<u>PART NO.</u>	<u>DESCRIPTION</u>	<u>REF NO.</u>	<u>PART NO.</u>	<u>DESCRIPTION</u>
1	2300-907	Operator Cover	29	2200-132	Motor Pulley, 2"
	2510-354	Plunger Reset Assembly	30	2200-118	Pulley, 4", 5/8" bore
	2500-2240	Plunger Reset Button		2200-984	Pulley, 3", 5/8" bore, high-speed mod. only
	2500-2241	Plunger Extension only	31	2200-712	V-Belt, 4L, 30"
	2200-790	Lock for Cover, with Keys		2200-975	V-Belt, 4L, 29", cogged, high-speed mod. only
2	2110-796	Main Frame Assembly	32	2510-366	Stop/Reset Button Alarm Assembly
2A	2100-2006	Lock Tab Bracket	33	2500-867	Alarm
3	2100-2055	Bottom Shelf		2100-2058	Stop/Reset Button Bracket
4	2100-1985	Pillow Bock Tube Spacer	34	2500-1495	Stop/Reset Button
7	2200-942	Gear Reducer, 20:1	35	2200-269	Sprocket, 41-B-20, 1" bore
7A	2100-1980	Gear Reducer Tube Spacer			
8	2110-783	Reducer Coupler, with Oilite Bushing	36	2110-699	Idler Assembly
9	2200-117	Oilite Bushing for Coupler	37	2100-1731	Idler Pin
10	2100-2026	Disconnect Collar	38	2300-697	Idler Wheel, UHMW
11	2200-115	Disconnect Collar Spring			
12	2200-014	Shaft Collar, 1" diameter	39	2510-277	Transformer Assembly
13	2100-1983	Drive Shaft, 1" diameter		2500-1768	Bridge Rectifier
14	2100-1986	Disconnect Handle Fulcrum Bracket		2500-1819	Fuse Holder
15	2100-549	Pin for Disconnect Handle		2500-1748	Fuse, 10 Amp, Slow-Blow
	2400-169	Push-on Nut, 1/4" (not shown)		2500-1979	Transformer only, 115/24V, 500VA
16	2120-477	Disconnect Handle			
17	2100-2060	Disconnect Fulcrum Bracket	40	2510-182	Battery Assembly
18	2100-2059	Disconnect Lever		2500-1118	Battery, 12V (2 required)
19	2200-939	Locking Handle Spring		2300-450	Velcro Tape, per foot
20	2200-274	Pillow Block Bearing, 1" diameter	41	2510-266-E	Power On/Off Switch Assembly
21	2200-042	Sprocket, 48-B-15, 1" bore		2500-2205	Switch only
22	2200-008	Sprocket, 48-B-10, 1/2" bore			
23	2200-414	#48 Roller Chain, 23 Links	42	2510-064	Three-Button Station assembly
	2200-010	#48 Master Link		2100-2008	Accessory Shelf
24		Controller (for Controller Parts List, see next page)			
25	2520-396-SLC	Limit Box Assembly with Cover	<u>Parts from Accessory Box</u> (not shown in exploded view):		
	2100-057	Limit Shaft	2100-2007		Gate Attachment Bracket
	2200-029	Oilite Bushing	2400-170		U-Bolt, 3"
	2200-030	Limit Nut	2100-054		#41 Chain Tension Bolt
	2200-193	1/2" E-Ring	2200-367		Chain Spring
	2300-946	Heyco Bushing with Wire Guards	2200-027		#41 Master Link
	2500-440	Limit Switch	2200-150		#41 Chain, per foot
	2100-261	Detent Plate	2400-152		Square Head Bolt, 3/8
	2200-028	Detent Spring			
26	2300-945	Limit Box Cover	<u>Optional Parts:</u>		
			2650-107		Remote Disconnect Kit
			2120-483		Post Mounting Kit
27	2500-1902	Motor, 24VDC	2100-2010		Base Plate for Operator
	2510-243	Brush Replacement Kit	2220-045		2" Torque Limiter with Bushing and 4" Pulley
	2100-2011	Plate Motor Mounting SLD (not shown)	2200-713		2" Torque Limiter only
	2400-484	Stud, 1/4 - 20 x 1 Clinch	2300-693		Friction Disc Pair for Torque Limiter
			2200-877		Bushing for Torque Limiter

SLR • SLC • SLD OPERATOR INSTALLATION GUIDE



MODEL **SLD** CONTROL BOX PARTS LIST

REF NO.	PART NO.	DESCRIPTION	REF NO.	PART NO.	DESCRIPTION
1	2100-1778-PLT	Control Box Wrapper	21	2200-940	Pull Pin Disconnect
3	2100-1762	Terminal Strip Bracket, output side		2500-867	Alarm, 24VDC (not shown)
4	2100-1761	Terminal Strip Bracket, input side	23	2500-1975	3 Amp Fuse for Control Board
5	2200-122	Heyco Bushing, .87 diameter	24	2200-873-PLT	Control Box Hinge, female (riveted to control box)
6	2500-1948	Control Board Standoff	25	2200-874-PLT	Control Box Hinge, male (riveted to operator frame)
7	2510-269	Control Board DC		2520-393-F	Complete Controller Assembly 24VDC (order limit harness and mounting brackets separately)
8	2500-1947	DC Motor Drive Board	26	2300-735	Heyco Bushing, 1.09 diameter
	2510-245	Control Board with DC Motor Board			
9	2510-257	Limit Switch Harness Assembly			
10	2510-249	Input Wire Harness Assembly			
11	2510-250	Output Wire Harness Assembly			
13	2500-071	Terminal Strip, 16-141 (2)			
15	2300-696	Clear Control Box Cover			
16	2500-2127-CB	DC Charger Board			
17	2500-2293	Circuit Breaker, 15 Amp Auto-Reset			
18	2500-2293	Circuit Breaker, 15 Amp Auto-Reset			
19	2500-1975	Fuse, 3 Amp			

BATTERY MAINTENANCE

The gel-cell batteries in this operator require no routine maintenance. For assured continued performance, they should be replaced every year.

If power is to be removed for one week or more, disconnect the negative wire from the batteries as this will prevent deep discharging.

Fully charge before use after storage or upon initial installation.

BRUSH REPLACEMENT

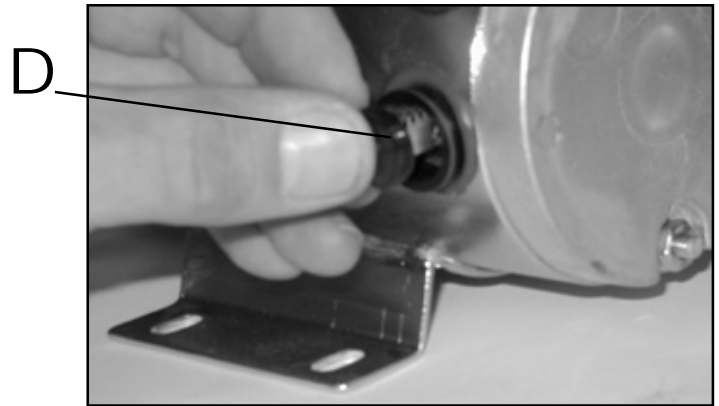
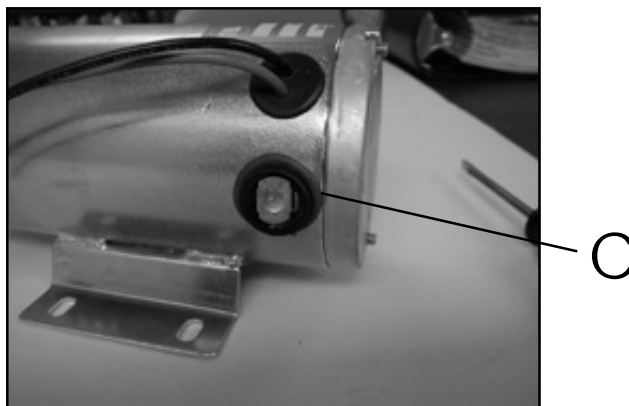
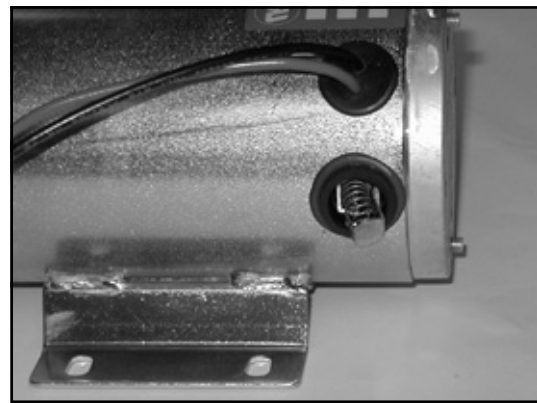
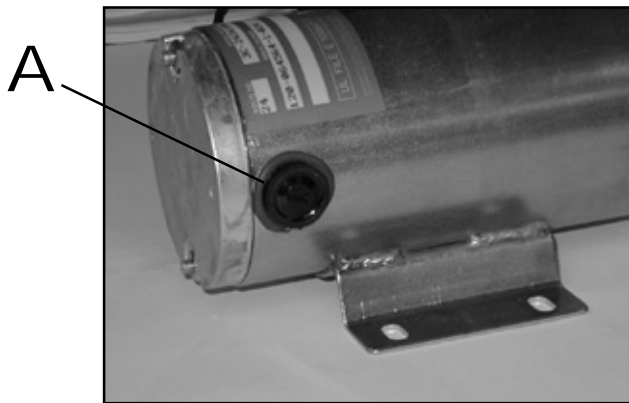
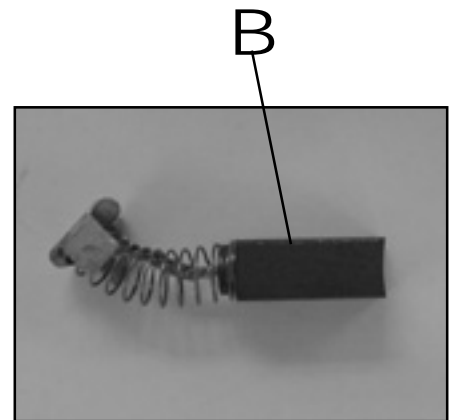
Brushes should be inspected every 100,000 cycles, (200,000 for BGD-D) or yearly, whichever comes first. The motor has two brushes, one on each side.

Original brushes are approximately 3/4" long and should be replaced when they are 1/4" long, or sooner. If brushes are allowed to wear beyond this point, permanent damage to the motor may result.

To inspect the brushes, remove retaining cap (A), with straight-blade screwdriver, and carefully pull assembly straight out. Measure remaining brush material (B).

To reinstall, place brush in hold, aligning rounded indentation (C), correctly with motor shaft. Gently push in spring and align contact with oval carrier, push in with retaining cap (D). Hold in place and thread cap into brush carrier. Do not overtighten or cap will crack! Repeat for other brush.

If brushes require replacement, order kit #2510-243.



MATERIAL SAFETY DATA SHEET

MOBIL SHC 634

1. PRODUCT AND COMPANY IDENTIFICATION

PRODUCT NAME: MOBIL SHC 634
SUPPLIER: EXXONMOBIL CORPORATION
3225 GALLOWS RD.
FAIRFAX, VA 22037

24 - Hour Health and Safety Emergency (call collect): 609-737-4411
24 - Hour Transportation Emergency (Primary) CHEMTREC: 800-424-9300

Product and MSDS Information:	800-662-4525	703-846-6691
CHEMTREC:	800-424-9300	202-483-7616
MSDS Fax on Demand:	613-228-1467	
MSDS Internet Website:	http://emmsds.ihssolutions.com	

2. COMPOSITION/INFORMATION ON INGREDIENTS

CHEMICAL NAMES AND SYNONYMS: SYN. HYDROCARBONS AND ADDITIVES
GLOBALLY REPORTABLE MSDS INGREDIENTS:
None.
See section 8 for exposure limits (if applicable).

3. HAZARDS IDENTIFICATION

Under normal conditions of use, this product is not considered hazardous according to regulatory guidelines (See section 15).

EMERGENCY OVERVIEW: Orange liquid. DOT ERG No. : NA

POTENTIAL HEALTH EFFECTS: Under normal conditions of intended use, this product does not pose a risk to health. Excessive exposure may result in eye, skin or respiratory irritation.

For further health effects/toxicological data, see Section 11.

4. FIRST AID MEASURES

EYE CONTACT: Flush thoroughly with water. If irritation occurs, call a physician.

SKIN CONTACT: Wash contact areas with soap and water. Remove and clean oil soaked clothing daily and wash affected area. (See Section 16 - Injection Injury)

INHALATION: Not expected to be a problem. However, if respiratory irritation, dizziness, nausea, or unconsciousness occurs due to excessive vapor or mist exposure, seek immediate medical assistance. If breathing has stopped, assist ventilation with a mechanical device or mouth-to-mouth resuscitation.

INGESTION: Not expected to be a problem. Seek medical attention if discomfort occurs. Do not induce vomiting.

Date Prepared: June 12, 1997
Supersedes: February 02, 1996
MSDS Number: 08068

Cette fiche signalétique est aussi disponible en français

1. PRODUCT INFORMATION

Product Identifier: ESSO GEAR OIL GX 75W-90
Application and Use: Transmission and gear lubricant.
Product Description: Mixture of paraffinic and naphthenic hydrocarbons (saturated and unsaturated), and additives.

REGULATORY CLASSIFICATION

WHMIS: Not a controlled product
CEPA: CANADIAN ENVIRONMENTAL PROTECTION ACT
All components of this product are either on the Domestic Substances List (DSL) or are exempt.

TDG INFORMATION (RAIL/ROAD):

Shipping Name:	Not regulated	PIN Number:	Not regulated
Class:	Not regulated		
Packing Group:	Not regulated		

Please be aware that other regulations may apply.

TELEPHONE NUMBERS

Emergency 24 hr. 519-339-2145
Technical Info. 800-268-3183

MANUFACTURER/SUPPLIER

IMPERIAL OIL
Products Division
111 St. Clair Ave. West
Toronto, Ontario M5W 1K3
416-968-4111

2. REGULATED COMPONENTS

The following components are defined in accordance with subparagraph 13(a) (I) to (IV) or paragraph 14(a) of the Hazardous Products Act:

NAME	%	CAS #
Not applicable		

3. TYPICAL PHYSICAL & CHEMICAL PROPERTIES

Physical State: Liquid
Specific gravity: not available
Viscosity: 15.80 cSt at 100 deg. C
Vapour Density: not available
Boiling point: 230 to 460 deg. C
Evaporation rate: <0.1 (1=n-butylacetate)
Solubility in water: negligible
Freezing/Pour Point: -42 deg. C ASTM D97
Odour Threshold: not available
Vapour Pressure: <0.1 kPa at 20 deg. C
Density: 0.89 g/cc at 15 deg. C
Appearance/odour: yellow oil; petroleum odour

4. HEALTH HAZARD INFORMATION**NATURE OF HAZARD:**

INHALATION: Negligible hazard at normal temperatures (up to 38 deg. C). Elevated temperatures or mechanical action may form vapours, mists or fumes which may be irritating to the eyes, nose, throat and lungs. Avoid breathing vapours or mists.

EYE CONTACT: Slightly irritating, but will not injure eye tissue.

SKIN CONTACT: Low toxicity. Frequent or prolonged contact may irritate the skin.

INGESTION: Low toxicity.

ACUTE TOXICITY DATA: Based on animal testing data from similar materials and products, the acute toxicity of this product is expected to be:

Oral: LD50 > 5000 mg/kg (rat)
Dermal: LD50 > 3160 mg/kg (rabbit)
Inhalation: LC50 > 5000 mg/m3 (rat)

OCCUPATIONAL EXPOSURE LIMIT:

ACGIH recommends: For oil mists, 5 mg/m3. Local regulated limits may vary.

5. FIRST AID MEASURES

INHALATION: Vapour pressure of this material is low and as such inhalation under normal conditions is usually not a problem. If overexposed to oil mist, remove from further exposure. Administer artificial respiration if breathing has stopped. Keep at rest. Call for prompt medical attention.

EYE CONTACT: Flush eyes with large amounts of water until irritation subsides. If irritation persists, get medical attention.

SKIN CONTACT: Flush with large amounts of water. Use soap if available. Remove severely contaminated clothing (including shoes) and launder before reuse. If irritation persists, seek medical attention.

INGESTION: If swallowed, DO NOT induce vomiting. Keep at rest. Get prompt medical attention.

6. PREVENTIVE AND CORRECTIVE MEASURES

PERSONAL PROTECTION: The selection of personal protective equipment varies, depending upon conditions of use. In open systems where contact is likely, wear safety goggles, chemical-resistant overalls, and chemically impervious gloves. Where only incidental contact is likely, wear safety glasses with side shields. No other special precautions are necessary provided skin/eye contact is avoided. Where concentrations in air may exceed the occupational exposure limits given in Section 4 and where engineering, work practices or other means of exposure reduction are not adequate, approved respirators may be necessary to prevent overexposure by inhalation.

ENGINEERING CONTROLS: The use of local exhaust ventilation is recommended to control emissions near the source. Laboratory samples should be handled in a fumehood. Provide mechanical ventilation of confined spaces.

HANDLING, STORAGE AND SHIPPING: Keep containers closed. Handle and open containers with care. Store in a cool, well ventilated place away from incompatible materials. Do not handle or store near an open flame, sources of heat, or sources of ignition. Odorous and toxic fumes may form from the decomposition of this product if stored at temperatures in excess of 45 deg. C for extended periods of time or if heat sources in excess of 121 deg. C are used. Empty containers may contain product residue. Do not pressurize cut, heat, or weld empty containers. Do not reuse empty containers without commercial cleaning or reconditioning.

LAND SPILL: Eliminate source of ignition. Keep public away. Prevent additional discharge of material. If possible to do so without hazard. Prevent spills from entering sewers, watercourses or low areas. Contain spilled liquid with sand or earth. Recover by pumping or by using a suitable absorbent. Consult an expert of disposal or recovered material. Ensure disposal in compliance with government requirements and ensure conformity to local disposal regulations. Notify the appropriate authorities immediately. Take all additional action necessary to prevent and remedy the adverse effects of the spill.

WATER SPILL: Remove from surface by skimming or with suitable absorbents. If allowed by local authorities and environmental agencies, sinking and/or suitable dispersants may be used in unconfined waters. Consult an expert on disposal of recovered material. Ensure disposal in compliance with government requirements and ensure conformity to local disposal regulations. Notify the appropriate authorities immediately. Take all additional action necessary to prevent and remedy the adverse effects of the spill.

7. FIRE AND EXPLOSION HAZARD

Flashpoint and method: 150 deg. C COC ASTM D92
Autoignition: 240 deg. C Flammable Limits: LEL: NA UEL: NA

GENERAL HAZARDS:

Low hazard; liquids may burn upon heating to temperatures at or above the flash point. Decomposes; flammable/toxic gases will form at elevated temperatures (thermal decomposition). Toxic gases will form upon combustion.

FIRE FIGHTING: Use water spray to cool fire exposed surfaces and to protect personnel. Shut off fuel to fire.

Use foam, dry chemical or water spray to extinguish fire. Respiratory and eye protection required for fire fighting personnel. Avoid spraying water directly into storage containers due to danger of rollover. A self-contained breathing apparatus (SCBA) should be used for all indoor fires and any significant outdoor fires. For small outdoor fires, which may easily be extinguished with a portable fire extinguisher, use of an SCBA may not be required.

HAZARDOUS COMBUSTION PRODUCTS: Smoke, carbon monoxide, carbon dioxide and traces of oxides of sulphur. Alkyl mercaptans and sulfides may also be released.

8. REACTIVITY DATA

STABILITY: This product is stable. Hazardous polymerization will not occur.

INCOMPATIBLE MATERIALS AND CONDITIONS TO AVOID: Strong oxidizing agents.

HAZARDOUS DECOMPOSITION: Fumes, smoke, carbon monoxide and sulphur oxides in case of incomplete combustion.

9. NOTES

All components of this product are listed on the U.S. TSCA inventory.

10. PREPARATION

Date Prepared:	June 12, 1997
Prepared by:	Lubricants & Specialties IMPERIAL OIL Products Division 111 St. Clair Avenue West Toronto, Ontario M5W 1K3 800-268-3183

CAUTION: "The information contained herein relates only to this product or material and may not be valid when used in combination with any other product or material or in any process. If the product is not to be used for a purpose or under conditions which are normal or reasonably foreseeable, this information cannot be relied upon as complete or applicable. For greater certainty, uses other than those described in Section 1 must be reviewed with the supplier. The information contained herein is based on the information available at the indicated date of preparation. This MSDS is for the use of Imperial Oil. Customers and their employees and agents only. Any further distribution of this MSDS by Imperial Oil customer is prohibited without the written consent of Imperial Oil."

IMPERIAL OIL
Products Division

MSDS NO. 8068

ESSO GEAR OIL GX EXTRA 75W-90

SLR • SLC • SLD OPERATOR INSTALLATION GUIDE



MATERIAL SAFETY DATA SHEET

Product Name: Sealed Maintenance Free Lead-Acid Batteries

DATE:	9/23/2002	ISSUED BY:	ENGINEERING	TELEPHONE NO.:	(619) 661-2030
HAZARDOUS COMPONENTS					
COMPONENTS	WEIGHT %	TLV	LD50	LC50	LC50 CONTACT
Lead (Pb, PbO ₂ , PbSO ₄)	about 70%	N/A	(500) mg/kg	N/A	N/A
Sulfuric Acid	about 20%	1mg/m ³	(2,140) mg/kg	N/A	N/A
Fiberglass Separator	about 5%	N/A	N/A	N/A	N/A
ABS Plastic	about 5%	N/A	N/A	N/A	N/A

PHYSICAL DATA

COMPONENTS	DENSITY	MELTING POINTS	SOLUBILITY (H ₂ O)	ODOR	APPEARANCE
Lead	11.34	327.2° C (Boiling)	None	None	Silver-Gray Metal
Lead Sulfate	6.2	1070° C (Boiling)	40 mg (1.5° C)	None	White Powder
Lead Dioxide	9.4	290° C (Boiling)	None	None	Brown Powder
Sulfuric Acid	about 1.3	about 114° C (Boiling)	100%	Acidic	Clear Colorless Liquid
Fiberglass Separator	N/A	N/A	Slight	Taste	White Fibrous Glass
ABS Plastic	N/A	N/A	None	No Odor	Solid

FLAMMABILITY DATA

COMPONENTS	FLASHPOINT	EXPLOSIVE LIMIT	COMMENTS
Lead	None	None	
Sulfuric Acid	None	None	
Hydrogen		4% - 72.4%	Sealed batteries can emit hydrogen if over charged (float voltage > 2.40 VPC).
Fiberglass Separator	N/A	N/A	Toxic vapors may be released. In case of fire, wear self-contained breathing apparatus.
ABS Plastic	None	N/A	Temp. over 300° C (572° F) may release combustible gases. In case of fire, wear positive pressure self-contained breathing apparatus.

FIRST AID

SULFURIC ACID PRECAUTIONS

Skin Contact:	Flush with water, see physician if contact area is large or if blisters form.
Eye Contact:	Call physician immediately and flush with water until physician arrives.
Ingestion:	Call physician. If patient is conscious, flush mouth with water, have patient drink milk or sodium bicarbonate solution.

REACTIVITY DATA

COMPONENT	Sulfuric Acid
STABILITY	Stable at all temperatures
POLYMERIZATION	Will not polymerize
INCOMPATIBILITY	Reactive metal, strong bases, most organic compounds
DECOMPOSITION PRODUCTS	Sulfuric dioxide, trioxide, hydrogen sulfide, hydrogen
CONDITIONS TO AVOID	Prohibit smoking, sparks, etc. from battery charging area. Avoid mixing acid with other chemicals

SPILL OR LEAK PROCEDURES

Steps to take in case of leak or spill:

If sulfuric acid is spilled from a battery, neutralize acid with bicarbonate (baking soda), sodium carbonate (soda ash), or calcium oxide (lime). Flush area with water and discard in the sewage system. Do not allow unneutralized acid into sewage system.

Neutralized acid may be flushed down the sewer. Spent batteries must be treated as hazardous waste and disposed of according to local, state, and federal guidelines. A copy of the MSDS must be supplied to any scrap dealer or secondary lead smelter with battery.

PROTECTION

EXPOSURE SITE	PROTECTION	COMMENTS
SKIN	Rubber gloves, Apron	Protective equipment must be worn if the battery is cracked or otherwise damaged. A respirator should be worn during retrain operations if the TLV is exceeded.
RESPIRATORY	Respirator (for lead)	
EYES	Safety goggles, Face Shield	

ELECTRICAL SAFETY

Due to the battery's low internal resistance and high power density, high levels of short circuit current can be developed across the battery terminals. Do not rest tools or cables on the battery. Use insulated tools only. Follow all installation instructions and diagrams when installing or maintaining battery systems.

HEALTH HAZARD DATA

LEAD: The toxic effects of lead are accumulative and slow to appear. It affects the kidneys, reproductive, and central nervous systems. The symptoms of lead overexposure are anemia, vomiting, headache, stomach pain (lead colic), dizziness, loss of appetite, and muscle and joint pain. Exposure to lead from a battery most often occurs during lead retrain operations through the breathing or ingestion of lead dust or fumes.

SULFURIC ACID: Sulfuric acid is a strong corrosive. Contact with acid can cause severe burns on the skin and in eyes. Ingestion of sulfuric acid will cause GI tract burns. Acid can be released if the battery case is damaged or if vents are tampered with.

FIBERGLASS SEPARATOR: Fibrous dust is an irritant of the upper respiratory tract, skin and eyes. For exposure up to 10FCC, use MSA Canfield with type H filter. Above 10FCC, up to 50FCC, use Ultra-Twin with type H filter. This product is not considered carcinogenic by NTP or OSHA.

ALL DATA MUST BE PASSED TO ANY SCRAP DEALER OR SMELTER WHEN BATTERIES RESOLD.

PREVENTATIVE MAINTENANCE

IMPORTANT!

- Always disconnect power from operator before servicing.
- Keep clear of gate during operation.

GENERAL:

OSCO gate operators are designed for many years of trouble-free operation and, under recommended operating conditions, will require only minimal maintenance. To ensure that your unit is ready for operation at all times--and to preclude serious damage or failure--inspect the unit systematically. Proper adjustments and lubrication should be made as recommended.

LUBRICATION:

Bearings. For models which have pillow block style bearings with greaseable fittings, lubricate at least twice a year with a lithium complex based, petroleum oil NLGI 2 rated grease. Oilite and precision sealed bearings do not require additional lubrication.

Motor. Motors have sealed ball bearings and do not require further lubrication. If bearing noise develops after several years of operation, bearings should be replaced by a motor repair company, or the motor should be replaced if necessary.

Drive Chain and Sprocket (slide gate models only). The main drive chain and sprockets should be inspected for wear, cleaned, and wiped down with a lightly oiled rag every six months.

Swing Gate Arm (swing gate models only). Check all bolts for proper tension and tighten if necessary. Make sure the arm folds overextends itself slightly against the overtravel stop to reduce the chance that the gate can be backdriven open. Adjust the close limit slightly if additional travel is required. Lightly lubricate all pivot points with a light machine oil.

Barrier Gate Arm (barrier gate models only). Check all bolts for proper tension and tighten if necessary. If the arm has been warped or damaged, replace as necessary.

ADDITIONAL SIX MONTH PREVENTATIVE MAINTENANCE:

1. For operators which utilize torque limiting clutches, check for proper tightness. If there appears to be dust from wear on the pads, inspect the pads and replace if necessary. If the clutch cannot be adjusted tightly enough to move the gate without slipping, the pads must be replaced.
2. For operators with V-belts, inspect for wear and replace as necessary. Check for proper tension and adjust if required. Check all pulley setscrews for tightness and tighten if necessary.
3. For operators with internal chain drives, inspect chain and sprockets for wear and replace if necessary. Check for proper tension and alignment, and adjust if required. Check all hub sprocket setscrews and tighten if required.
4. Check limit switches and limit actuators (cams, limit nuts, etc.) for wear and replace as required. In rotary limit switch assemblies, wipe the limit shaft clean and apply a light coating of dry lubricant.
5. For operators with magnetic brakes, check for proper adjustment. Brake disc must run free when the brake is engaged. For brake assemblies other than C-face style, the brake should be adjusted so that the solenoid plunger throw is between 3/8" to 1/2". Too much throw will damage the solenoid. **If the solenoid emits a loud buzzing sound when the motor is run, the brake must be adjusted.**
6. In operators which have a disconnect handle, inspect disconnect handle for proper function and lubricate if necessary. Use a lithium based grease on all moving parts.
7. Inspect all nuts and bolts for proper tightness and tighten as necessary.
8. Check all reversing devices for proper function. Inspect all contact edges for wear and replace if required. Check photoeyes for proper alignment and function.
9. Check current sensing for proper adjustment when finished with inspection and maintenance.
10. Inspect the installation area. Are all the warning signs intact and visible? If they are missing or need replaced, contact OSCO. Be sure there are no control stations mounted within reach of the gate. Review safety literature with the customer and advise them to remove any such stations found.

For slide and swing gate operators, you must inspect the gate for proper operation. The gate should move easily without binding through its entire travel. If the gate does bind, adjust or fix as required. Failure to keep the gate in good working condition will have adverse effects on the operator.

This page intentionally left blank.

SLR • SLC • SLD OPERATOR INSTALLATION GUIDE

GATE OPERATOR INSTALLATION CHECKLIST

INSTALLER	CUSTOMER	
_____	_____	1. The gate has been checked to make sure it is level and moves freely in both directions.
_____	_____	2. Potential pinch areas have been guarded so as to be inaccessible OR have contact and/or non-contact obstruction sensing devices installed.
_____	_____	3. The installer has installed one or more contact or non-contact obstruction sensing devices, in compliance with UL325 requirements for this installation.
_____	_____	4. The slide gate has been screened or secured from the bottom of the gate to a minimum of 48 inches above ground to prevent a 2 1/4-inch sphere from passing through the openings anywhere in the gate and in that portion of the adjacent fence that the gate covers when the gate is in the open and closed positions. Picket gates which have spacings less than 2 1/4 inches apart to the minimum height requirement are also acceptable.
_____	_____	5. Roller covers have been installed on cantilever gates.
_____	_____	6. If pedestrian traffic is expected, a separate pedestrian gate has been installed, a minimum of seven feet from the gate. The customer has been informed that <u>all pedestrian traffic must use the pedestrian gate.</u>
_____	_____	7. Warning signs have been installed on each side of the gate in highly visible locations. The customer has been informed that these signs must remain at all times.
_____	_____	8. There are no controls installed on the gate operator, or within seven feet of the gate.
_____	_____	9. The installer has properly adjusted the obstruction sensing feature and has tested the gate to make sure that the gate stops and reverses a short distance with minimal resistance applied (40 lbs. on a swing gate at the end of the gate, 75 lbs. on a slide gate)
_____	_____	10. The installer has instructed the customer in the proper use of the gate operator and reviewed all of the operational functions, obstruction sensing devices, warning beeper and reset, etc.
_____	_____	11. The installer has instructed the customer in the proper use of the operator's manual disconnect feature. The manual disconnect must never be used while the gate is in motion. The power switch must be turned off before using the manual disconnect and disengaging the operator.
_____	_____	12. The installer has reviewed all safety instructions with the customer, and has left the safety instructions and owner's information sheets for their reference.
_____	_____	13. The installer has answered any questions the customer has regarding the operation of the gate operator and gate operator safety precautions.
_____	_____	14. The installer has explained to the customer that a regular maintenance schedule for both the gate and the gate operator is recommended.

By signing this installation checklist, I/we hereby certify that each item listed and checked above has been covered by the installer and is clearly understood by the customer.

Customer Signature

Date

Installer Signature

Date

Free Manuals Download Website

<http://myh66.com>

<http://usermanuals.us>

<http://www.somanuals.com>

<http://www.4manuals.cc>

<http://www.manual-lib.com>

<http://www.404manual.com>

<http://www.luxmanual.com>

<http://aubethermostatmanual.com>

Golf course search by state

<http://golfingnear.com>

Email search by domain

<http://emailbydomain.com>

Auto manuals search

<http://auto.somanuals.com>

TV manuals search

<http://tv.somanuals.com>