

# Installation Instructions

# Front Bumper



Part No. 24597

For ZTS 7500 or ZT 7000

(Items 27768, 27770, 27772 or 27774)

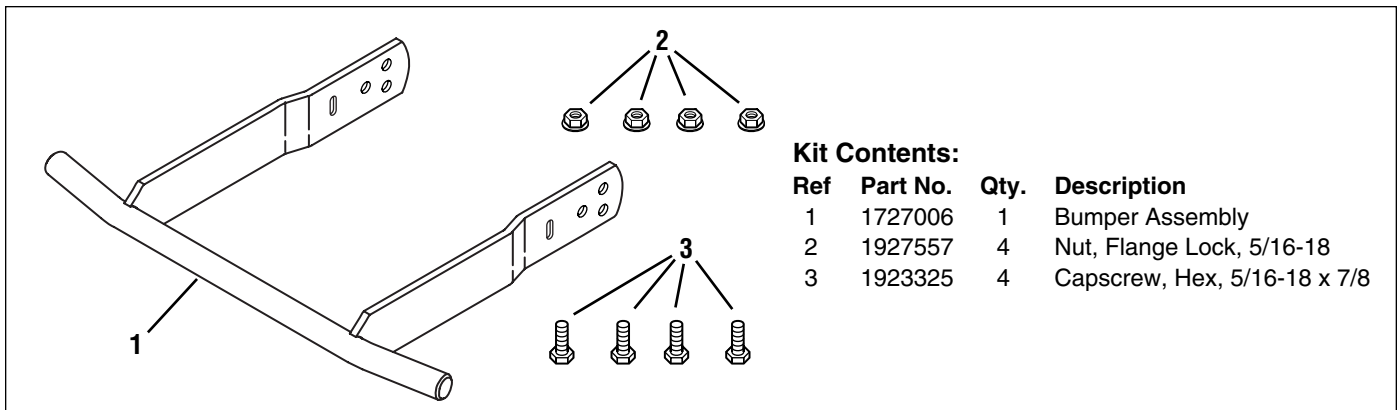


Figure 1. Contents

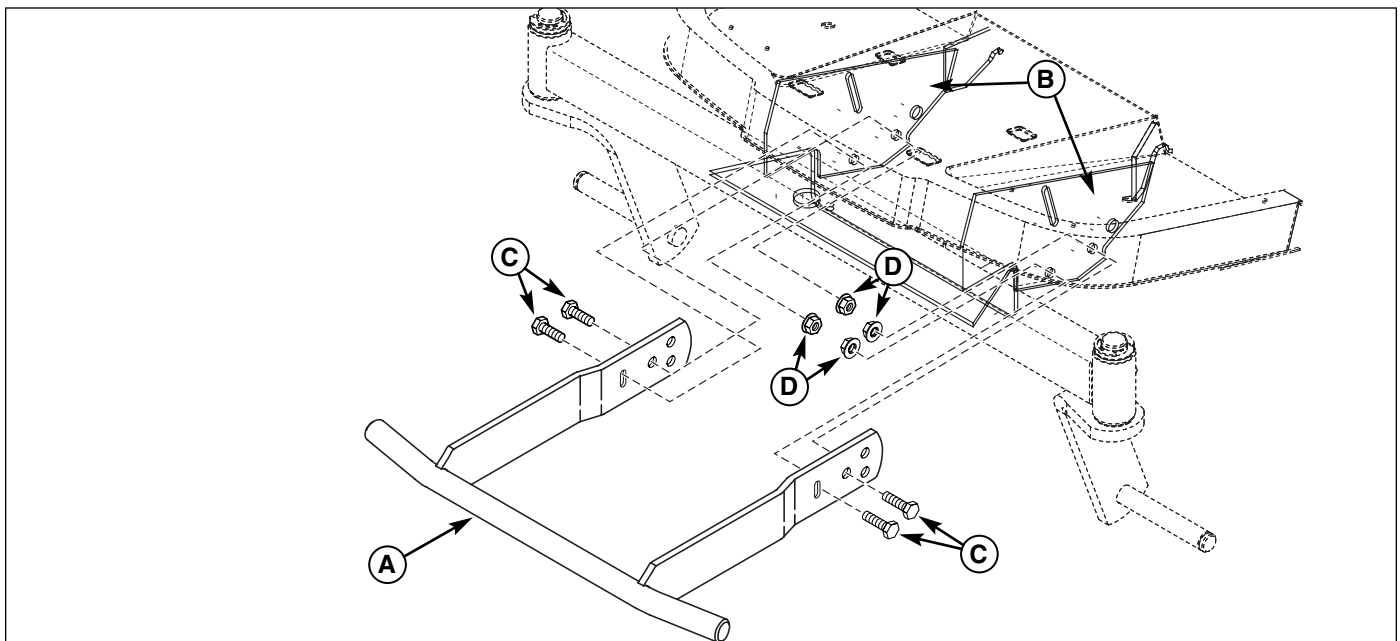


Figure 2. Bumper Installation (Footrest and Spindles Ghosted for Clarity)

- A. Bumper
- B. Frame
- C. Capscrews, 5/16-18 x 7/8
- D. Nut, Flange Lock, 5/16-18

## WARNING

Before beginning any service work turn off the PTO, set the parking brake, turn off the ignition, remove the key, and disconnect the spark plug wire(s).

## INSTALLATION

1. Attach bumper (A, Figure 2) to frame (B) securing with 5/16-18 x 7/8 cap screws (C) and 5/16-18 flange lock nuts (D).

*Note: Lift front of bumper up while tightening hardware to prevent wheels from contacting bumper.*

Sears, Roebuck and Co., Hoffman Estates, IL 60179 U.S.A.

Visit our Craftsman website: [www.sears.com/craftsman](http://www.sears.com/craftsman)

TP 200-4056-04-AT-C

## Free Manuals Download Website

<http://myh66.com>

<http://usermanuals.us>

<http://www.somanuals.com>

<http://www.4manuals.cc>

<http://www.manual-lib.com>

<http://www.404manual.com>

<http://www.luxmanual.com>

<http://aubethermostatmanual.com>

Golf course search by state

<http://golfingnear.com>

Email search by domain

<http://emailbydomain.com>

Auto manuals search

<http://auto.somanuals.com>

TV manuals search

<http://tv.somanuals.com>