

Operator's Manual

CRAFTSMAN®

3 Ton Floor Jack

Model 50139

CRAFTSMAN®

FOR AFTER SALE PARTS AND SERVICE:
Call 8 AM - 5 PM PST., Monday - Friday
1-888-448-6746

PARA VENTA DE PARTES Y SERVICIO:
Llame 8 AM - 5 PM Tiempo Pacifico., Lunes - Viernes
1-888-448-6746



WARNING : Before using this appliance, read this Operator's Manual and follow all its Safety Rules and Operating Instructions.

- Safety
- Operation
- Maintenance

Sears, Roebuck and Co., Hoffman Estates, IL 60179 U.S.A.
www.sears.com

Printed in China

SAFETY INSTRUCTIONS

Read Operating Instructions

Study, understand and follow all instructions in this manual before operating the jack. Failure to heed these warnings may result in loss of load, damage to the jack and/or jack failure resulting in personal injury or property damage.

Position the Jack

Position the jack to only lift on the areas of the vehicle specified by the vehicle manufacturer.

Use Support Stands

After lifting the vehicle always support the load with appropriately rated vehicle supports stands before working on the vehicle.

Do Not Overload Jack

Do not overload this jack beyond its rated capacity. Overloading this jack beyond its rated capacity can cause damage to or failure of the jack.

Use on Hard Level Surface

This jack is designed only for use on hard level surfaces capable of sustaining the load. Use on other than hard level surfaces can result in jack instability and possible loss of load.

Center Load on Jack Saddle

Center load on jack saddle before lifting vehicle. Off-center loads and loads lifted when the jack is not level can cause loss of load or damage to the jack.

KEEP HANDS AND FEET CLEAR OF THE JACK HINGE MECHANISM AND GROUND CONTACT AREA WHEN LOWERING THE LOAD !

THIS JACK IS A LIFTING DEVICE ONLY!



THIS JACK IS DESIGNED ONLY FOR LIFTING PART OF THE TOTAL VEHICLE. DO NOT MOVE OR DOLLY THE VEHICLE WHILE IT IS ON THE JACK.

WARRANTY

CRAFTSMAN ONE YEAR FULL WARRANTY

If this Craftsman product fails due to a defect in material or workmanship within one year from the date of purchase, return it to any Sears store or other Craftsman outlet in the United States for free replacement.

This warranty applies for only 90 days from the date of purchase if this product is ever used for commercial or rental purposes.

This warranty gives you specific legal rights, and you may also have other rights which vary from state to state. Sears, Roebuck and Co., Hoffman Estates, IL 60179

DESCRIPTION

Craftsman model 50139 features an 6,000 lbs. maximum capacity. Lifting range for this jack is 5-15/16 inches to 19-1/4 inches. Jack features an overload valve which helps prevent equipment failure. Bypass system provides safe operation.

Specifications

Compact design allows use in confined spaces

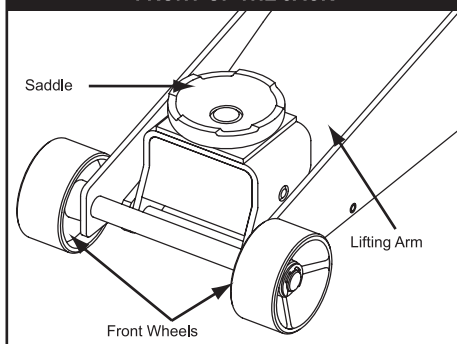
Maximum load capacity.....3 tons (6000 lbs.)

Lift range..... 5-15/16 to 19-1/4 inches

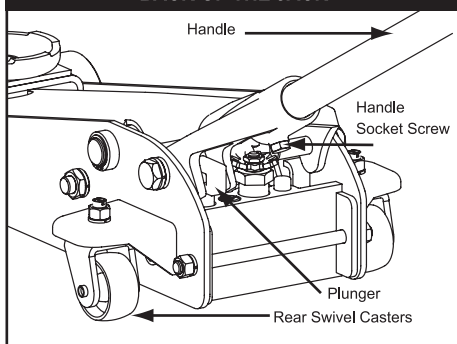
Size (LxWxH).....24.6"x13.46"x7.08"

Weight w/handle.....73.3 lbs.

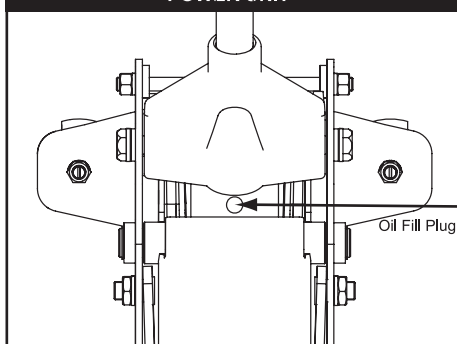
FRONT OF THE JACK



BACK OF THE JACK



POWER UNIT



ASSEMBLY

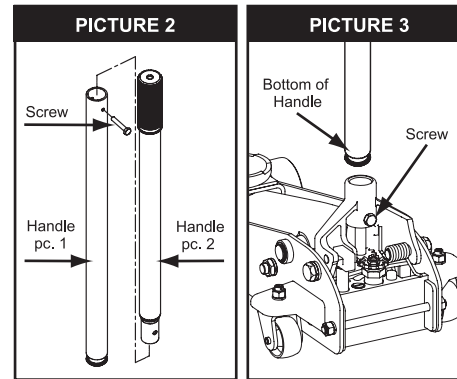
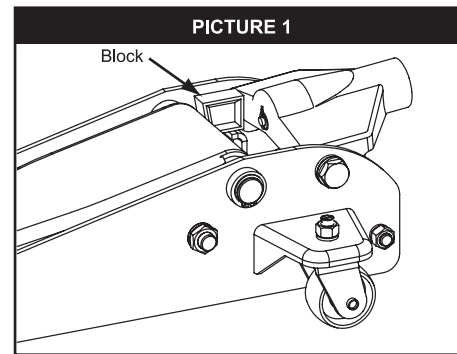
Assembly

Handle Assembly

- Prior to assembly please remove the BLOCK as show in picture 1.
- Refer to picture 2 when performing this step. Take off the screw located on handle piece 1. Attach handle piece 1 and 2 making sure to align the holes on both pieces. Reinsert the screw and tighten it.
- Fully unfasten the screw located in the Handle Socket to insert the assembled handle (picture 3).
- Line up the square hole located at the bottom of the handle over the square bolt inside the Handle Socket.
- Secure the handle in place by tightening the screw in the Handle Socket.

NOTE

NOTE



FEATURES & OPERATION

Operation

Raising the Jack

- Close the release valve by turning the handle clockwise as far as it will go.
- Block the vehicle's wheels for lifting stability.
- Refer to the vehicle manufacturer owner's manual to locate approved lifting points on the vehicle. Position the jack so that the saddle is centered and will contact the load lifting point firmly.
- Pump jack handle until saddle nears contact with the vehicle. Check to see that the saddle is centered and will contact the load lifting point firmly.
- Continue to pump the jack handle to lift the vehicle to the desired height. After lifting, support the load with appropriately rated vehicle support stands before working on the vehicle.

Lowering the Jack

- Carefully open the release valve by slowly turning the handle counterclockwise.

How it Works

With Release Valve Closed

- An upward stroke of the jack handle draws oil from the reservoir tank into the plunger cavity. Hydraulic pressure holds the valve closed, which keeps the oil in the plunger cavity.
- A downward stroke of the jack handle releases oil into the cylinder, which forces the ram out. This raises the saddle.
- When the ram reaches maximum extension, oil is bypassed back into the reservoir to prevent an over extended ram stroke and possible damage to the jack.
- Opening the release valve allows oil to flow back into the reservoir. This releases hydraulic pressure on the ram, which results in lowering the saddle.

MAINTENANCE

To Add Oil:

- Position the jack on level ground and lower the saddle.
- Use a Phillips head screwdriver to remove the cover plate.
- Remove the oil plug.
- Fill the oil case until oil level is just beneath the lower rim of oil fill hole. Replace oil plug.
- Perform the Air Purge Procedure described below.

To Replace Oil:

- Fully open release valve by turning handle counterclockwise as far as it will go.
- Turn the jack over so that old oil will drain from the oil fill hole.
- Refill through oil fill hole. Keep dirt and other material clear when pouring. Fill to just beneath lower rim of hole. Replace oil plug.
- Perform Air Purge Procedure described below.

Lubrication

- Add lubricating oil (WD-40) to all moving parts when needed.
- For light duty use lubricate every six months.
- For heavy and constant use lubrication recommended every month.

Rust Prevention:

- Check ram and pump plunger on the Power Unit Assembly every two months (or sooner, based on usage) for any signs of rust or corrosion. Lift the jack as high as it goes and look under and behind the lifting arm. If signs of rust are visible clean as needed and wipe down with an oily cloth or WD-40.
- When storing the jack, always have the saddle and pump plunger in the down position.

ALWAYS USE A GOOD GRADE HYDRAULIC JACK OIL. DO NOT USE HYDRAULIC BRAKE FLUID, ALCOHOL, GLYCERINE, DETERGENT, MOTOR OIL OR DIRTY OIL. USE OF AN UN-RECOMMENDED FLUID CAN CAUSE DAMAGE TO YOUR JACK.

Grease Fitting

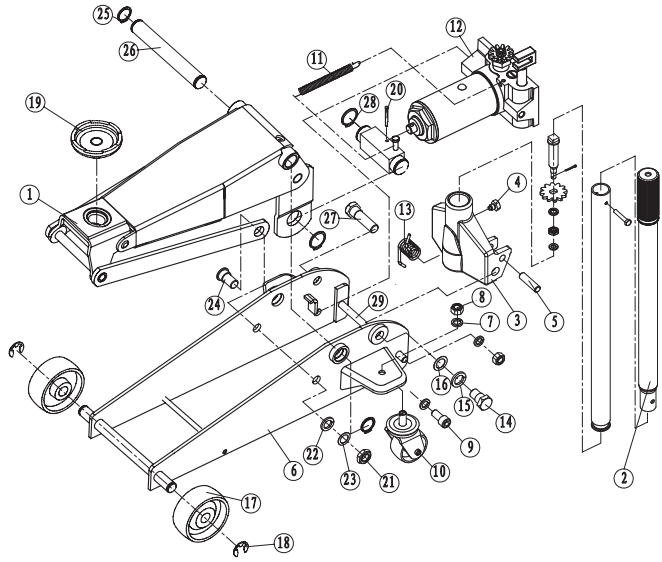
There is grease fitting located on top of the jack. It is for manufacturing purposes only. The jack has been filled with sufficient grease by the factory for the lifetime of the jack. Do not add more grease.

Air Purge Procedure

During shipment or after oil refill, air may get into the hydraulic system causing poor lifting performance. Then system air purge is required as follows:

1. Turn the release valve fully counterclockwise to fully open the release valve.
2. Pump handle rapidly several times.
3. Turn the release valve clockwise to close the release valve.
4. Pump handle until the lift arm reaches maximum height and continue to pump several times to remove trapped air in the ram.
5. Turn the release valve fully counterclockwise to lower lift arm to lowest position. Use force on saddle if necessary.
6. Turn the release valve clockwise to closed position and check for proper pump action. It may be necessary to perform the above steps more than once to assure air is evacuated totally.

EXPLODED VIEW AND PARTS LIST



NO.	DESCRIPTION	Q'TY
1	Lift Arm Assembly	1
2	Handle	1
3	Handle Socket	1
4	Handle Socket Screw	1
5	Handle Pin	1
6	Wall Plate Assembly	1
7	Washer	6
8	Nut	4
9	Bolt	2
10	Rear Wheel Assembly	2
11	Return Spring	1
12	Power Unit Assembly	1
13	Torsion Spring	1
14	Bolt	1
15	Washer	2
16	Washer	2
17	Front Wheel	2
18	Snap Ring	2
19	Saddle	1
20	Pin	1
21	Nut	2
22	Washer	2
23	Washer	2
24	Connecting Rod Pintle	2
25	Washer	2
26	Supporting Bolt	1
27	Shaft Handle Socket (left)	1
28	Spring Washer	2
29	Block	1

TROUBLESHOOTING

JACK WILL NOT LIFT LOAD	JACK WILL NOT HOLD LOAD	JACK WILL NOT LOWER	POOR JACK LIFTING	CAUSES AND SOLUTIONS
X				RELEASE VALVE IS NOT COMPLETELY CLOSED. TURN CLOCKWISE.
X			X	AIR IS IN HYDRAULICS. PURGE AIR FROM SYSTEM.
X	X		X	LOW OIL LEVEL. ADD OIL AS REQUIRE.
		X		OIL RESERVOIR IS OVERFILLED: DRAIN EXCESSIVE OIL. LUBRICATE MOVING PARTS.
X	X		X	POWER UNIT MALFUNCTIONING. REPLACE THE POWER UNIT.

FOR AFTER SALE PARTS AND SERVICE:
Call 8 AM - 5 PM PST., Monday - Friday
1-888-448-6746

NOTE

Free Manuals Download Website

<http://myh66.com>

<http://usermanuals.us>

<http://www.somanuals.com>

<http://www.4manuals.cc>

<http://www.manual-lib.com>

<http://www.404manual.com>

<http://www.luxmanual.com>

<http://aubethermostatmanual.com>

Golf course search by state

<http://golfingnear.com>

Email search by domain

<http://emailbydomain.com>

Auto manuals search

<http://auto.somanuals.com>

TV manuals search

<http://tv.somanuals.com>