

Operators Manual

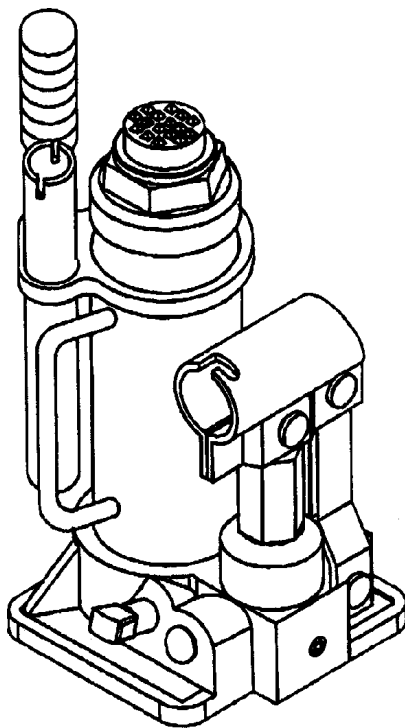


HYDRAULIC BOTTLE JACK

Model ^o50284 - 12 Ton Capacity

Model ^o50285 - 20 Ton Capacity

- Safety
- Assembly
- Operation
- Maintenance
- Parts



U.S. Patent: 5,946,912



BEFORE using this product, read this manual and follow all its Safety and Operating instructions. Failure to do so may result in personal injury and/or property damage.

Sears, Roebuck and Co., Hoffman Estates, IL 60179
Visit our Craftsman website: www.sears.com/craftsman

Printed in China

TABLE OF CONTENTS

WarrantyP. 2
Save these instructionsP. 2
Safety instructionsP. 3
AssemblyP. 4
OperationP. 4 , P. 5 & P. 6
MaintenanceP. 6 & P. 7
StorageP. 7
TroubleshootingP. 8
PartsP. 8
ServiceBack cover

WARRANTY

CRAFTSMAN ONE YEAR FULL WARRANTY

If this Craftsman product fails due to a defect in material or workmanship within one year from the date of purchase, return it to any Sears store or other Craftsman outlet in the United States for free replacement.

This warranty applies for only 90 days from the date of purchase if this product is ever used for commercial or rental purposes.

This warranty gives you specific legal rights, and you may also have other rights which vary from state to state.

Sears, Roebuck and Co., Hoffman Estates, IL 60179

SAVE THESE INSTRUCTIONS

Save these instructions. For your safety, read, understand, and follow the information provided with and on this jack.

- The owner and operator of this equipment shall have an understanding of this jack and safe operating procedures before attempting to use. The owner and operator shall be aware that use and repair of this product may require special skills and knowledge.
- Instructions and safety information shall be conveyed in the operator's native language before use of this jack is authorized. If any doubt exists as to the safe and proper use of this jack, remove from service immediately.
- **Inspect before each use.** Do not use if broken, bent, cracked, or damaged parts (including labels) are noted. Any jack that appears damaged in any way, operates abnormally or is missing parts, shall be removed from service immediately. If the jack has been or suspected to have been subjected to a shock load (a load dropped suddenly, unexpectedly upon it), immediately discontinue use until jack has been checked by a Sears service center.
- It is recommended that an annual inspection be done by qualified personnel. Labels and Operators Manuals are available from manufacturer (see Parts, page 8).

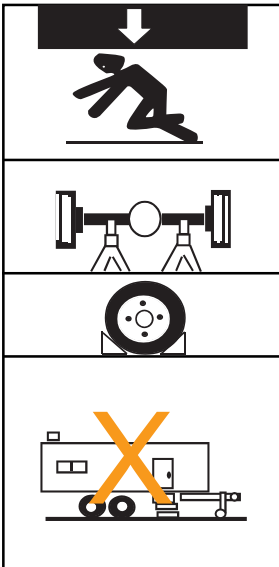
PRODUCT DESCRIPTION

Craftsman Professional Hydraulic Bottle Jacks are designed to lift, but not sustain, loads ranging from 12 tons thru 20 tons depending on the rated capacity of the jack. They are designed to be used vertically. After lifting, loads must be immediately supported by appropriate means. Each model is suitable for use in an appropriately rated and designed vertical or bench press structure. These jacks are not appropriate to use for lifting or positioning construction trailers, houses and/or other building structures.

SAFETY INSTRUCTIONS

⚠ WARNING

- **Study, understand, and follow** all instructions provided with and on this device **before use**.
- **Do not** exceed rated capacity.
- This is a lifting device **only**.
- After lifting, **immediately** transfer the load to appropriately rated vehicle stands.
- Use **only** on hard, level surface.
- **Lift only** on areas of the vehicle as specified by the vehicle manufacturer.
- No alterations shall be made to this device.
- Only attachments and/or adapters supplied by the manufacturer shall be used.
- **Failure to heed these markings may result in personal injury and/or property damage.**



⚠ WARNING

To avoid crushing and related injuries:

- **Never** work on, under, or around a load supported only by a hydraulic jack.
- **Read**, understand and follow all printed materials provided with and on this jack.
- **Immediately** support the lifted load with appropriately rated jack stands.
- **Use ONLY** on vehicles whose lift points are compatible with the saddle of this jack. Incompatibility may result in structural damage to the vehicle and/or jack.
- **Check** each unlifted tire in both directions.
- **Be alert** and **sober** when servicing a vehicle! **Never** operate this equipment when under the influence of drugs or alcohol.
- **DO NOT** use this device to lift, level, lower, support, adjust or otherwise move a house, mobile home, travel trailer, camper, or building structure of **any** type, size, or configuration.

ASSEMBLY

CARTON CONTENTS

Inside the box, you will find (see Fig. 1):

1. A jack
2. A rubber handle holder
3. A 2-piece handle

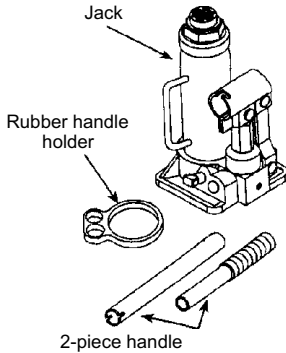


FIG. 1

HOW TO ASSEMBLE YOUR JACK (refer to Figs. 1, 2)

- Install the rubber handle holder onto the top nut and slide downward until it rests upon the reservoir of the jack. Orient the holder portion away from the handle socket so that it does not interfere with the release valve and handle socket operation.
- Assemble the handle sections by lining up the spring detent in the rubber grip section with the slot in the other section.

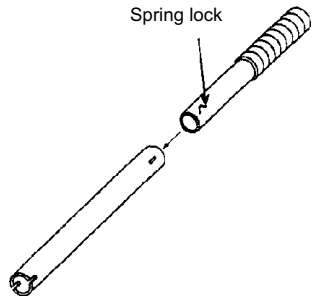


FIG. 2

OPERATION

- A. Handle
- B. Handle Socket
- C. Oil Filler Plug
- D. Saddle
- E. Oil Reservoir
- F. Cylinder
- G. Ram
- H. Release Valve
- I. Screw Extension
- J. Plunger
- K. Carrying Handle
- L. Top Nut

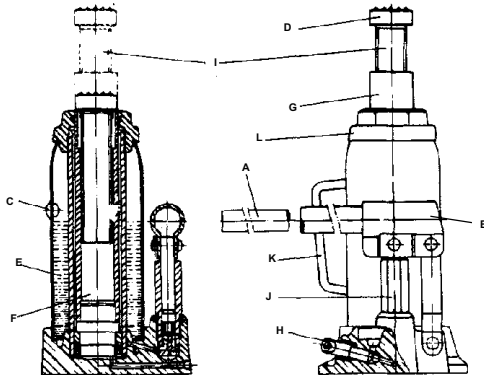


FIG. 3

KNOW YOUR JACK

(refer to Fig. 3, page 4)

- Compare these illustrations with your jack BEFORE operation and/or oil level maintenance to become familiar with the location of various jack components.

BEFORE USE

Occasionally during shipment and/or handling, air gets trapped in the hydraulic system, which interferes with jack performance. To release this trapped air do the following:

1. Using the end of the assembled handle which is formed to fit the release valve, engage and open the release valve by turning it counterclockwise no more than 1/2 full turn from a fully closed position.
2. With the jack in the upright position, remove the oil filler plug. Insert the handle into the handle socket, then pump 6 to 8 full strokes.
3. Ensure that the oil is level with the oil filler plug hole, then reinstall oil filler plug. If low, add oil as described in the Maintenance Section (see page 7).
4. Ensure that the pump operates smoothly before putting into service. Lubricate as instructed in the Maintenance Section (see page 7).

OPERATING PRINCIPLES

- With the release valve closed, an upward stroke of the jack handle draws oil from the reservoir tank into the plunger cavity. Hydraulic pressure holds the valve closed, which keeps the oil in the plunger cavity.
- A downward stroke of the jack handle releases oil into the cylinder, which forces the ram out and raises the saddle.
- When the ram reaches maximum extension, oil is bypassed back into the reservoir to prevent an overextended ram stroke and possible damage to the jack.
- Opening the release valve allows oil to flow back into the reservoir. This releases hydraulic pressure on the ram, which results in lowering the saddle.

HOW TO USE YOUR JACK

(refer to Fig. 3, page 4)

RAISING THE JACK

1. When lifting a vehicle, place the vehicle in park, engage emergency brake and chock the tire(s) diagonally opposite the tire(s) being raised to prevent inadvertent movement forward and backward. Use wheel chocks which are rated for the tire dimension of your vehicle.
2. Locate the release valve and, using the provided handle, engage the release valve and turn handle clockwise until firm resistance to further thread engagement is felt. Center the jack saddle under manufacturers recommended lift point.
⚠ To avoid crushing injuries and property damage: **NEVER** place yourself or others under a load for the purpose of pumping the handle socket. Use **ONLY** the handle provided.
3. Verify lift point, insert handle into the handle socket and pump to contact the lift point. To lift, continue pumping until load reaches desired height.
4. Immediately after lifting, transfer the load to a pair of appropriately rated jack stands.

⚠ Rated capacity of jack stands is **per pair**, it is **NOT** the sum of individual capacities unless specifically noted to the contrary by the jack stand manufacturer. **Do Not** exceed rated capacity. **Ensure** that the vehicle support points are fully captured between the outer lugs of both jack stands. **Use** a matched pair of jack stands **per** vehicle to support **1** end **only**. **Use** 1 pair per vehicle **only**. Failure to do so may result in sudden loss of load, which may cause personal injury and/or property damage.

OPERATION

LOWERING THE JACK

⚠ To avoid crushing injuries and property damage: Keep hands and feet clear of work area when lowering load.

1. Raise load high enough to clear the jack stands, then carefully remove jack stands (always use in pairs).
2. Slowly turn the handle counterclockwise, but no more than 1/2 full turn. If the load fails to lower:
 - a. Use another jack to raise the vehicle high enough to reinstall jack stands.
 - b. Remove the affected jack and then the stands.
 - c. Using the other jack, lower the load by turning the operating handle counterclockwise, but no more than 1/2 full turn.
3. After removing jack from under the load, push saddle down to reduce ram exposure to rust and contamination.

MAINTENANCE

SPECIFICATIONS

(see Fig. 4)

MODEL		50284	50285
Item	Description	12 Tons	20 Tons
A X B	Base Dimension (B not shown)	5-1/8 in. X 5-1/4 in.	5-15/16 in. X 6-1/4 in.
C	Maximum Height	18-5/8 in. (473mm)	18-11/16 in. (475mm)
D	Minimum Height	9-7/16 in. (240mm)	9-1/2 in. (242mm)
E	Hydraulic Stroke (travel)	6 in.	6 in.
F	Extension Screw Travel	3-1/8 in.	3-1/8 in.

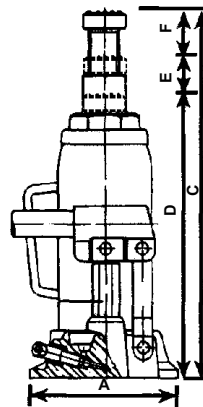


FIG. 4

MAINTENANCE

MAINTAINING OIL LEVEL

Important: When adding or replacing oil, ALWAYS use a good grade Hydraulic Jack oil. DO NOT use Hydraulic Brake Fluid, Alcohol, Glycerine, Detergent, Motor Oil or dirty oil. Use of an improper fluid can cause serious internal damage to your jack.

ADDING OIL

- Position the jack on level ground in an upright (vertical) position and fully lower the saddle.
- Remove oil filler plug (see Fig. 3).
- Oil should be filled to the level of the oil filler plug hole. If low, add oil as needed.

REPLACING OIL

- To drain oil, remove oil filler plug and open release valve (see Fig. 3).
- Turn jack on its side and drain old oil out through the oil filler plug hole.

- Refill with new oil through the oil filler plug hole. DO NOT allow dirt or other foreign material to enter the hydraulic system when filling.
- After refilling, remove any air from the hydraulic system by opening the release valve and rapidly pumping the jack handle several times.
- Replace the oil filler plug.

LUBRICATION

- Add lubricating oil to all moving parts as needed.

PREVENTING RUST

- Check ram and pump plunger (see Fig. 3) every few months for any signs of rust or corrosion. Clean as needed by wiping with an oily cloth.
- When not in use, ALWAYS store jack with saddle and pump plunger lowered all the way down.

STORAGE

HOW TO STORE YOUR JACK

This jack is designed for compact and convenient storage (see Fig. 5).

- Insert the rubber handle holder onto the top nut.
- Depress the spring lock to separate the handle pieces, and insert them into the handle holder.

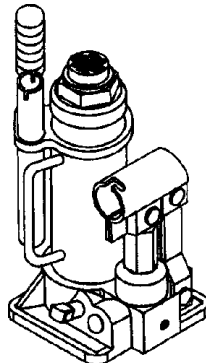


FIG. 5

TROUBLESHOOTING

						POSSIBLE CAUSES AND SOLUTIONS
Jack will not lift load	Jack will lift load, but will not hold	Jack will not lower completely	Poor jack lifting. Pump feels spongy	Jack will not lift to full height	Handle raises by itself when jack is under load	(Refer to Operation and Maintenance procedures for detailed information)
X	X					Release valve not tightly closed. To close or tighten, turn release valve clockwise.
X		X	X	X	X	Air is in hydraulic system. Release air from system. See BEFORE INITIAL USE.
X			X	X		Oil level is low in jack. Add oil as required.
		X				<ol style="list-style-type: none"> 1. If ram is still extended after load is removed, manually push down saddle. 2. Oil reservoir is over-filled. Drain out some oil. 3. Lubrication of moving parts is necessary.
X	X		X		X	Power unit is malfunctioning. Replace the jack.

PARTS

MODEL NUMBER:

The Model Number and Serial Number are found on the jack label and handle socket. Always mention the Model Number and Serial Number when requesting service or repair parts for your jack.

12 TON : 50284

20 TON : 50285

AVAILABLE REPLACEMENT PARTS

Model No.	Handle	Oil Filler Plug	Operators Manual
50284	1225	12217	12222
50285	1225	12217	12222

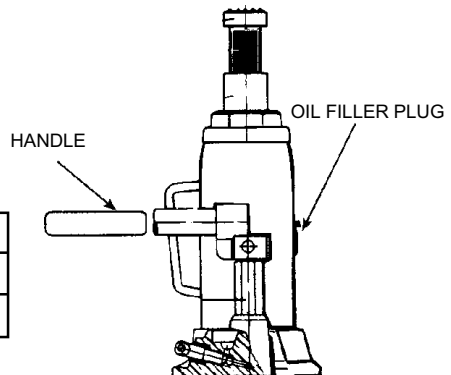


FIG. 6

For after sale support and assistance:
 Call 8:00 AM - 4:45 PM CST., Monday - Friday 1-888-332-6419

Get it fixed, at your home or ours!

Your Home

For repair – **in your home** – of all major brand appliances, lawn and garden equipment, or heating and cooling systems, **no matter who made it, no matter who sold it!**

For the replacement parts, accessories and owner's manuals that you need to do-it-yourself.

For Sears professional installation of home appliances and items like garage door openers and water heaters.

1-800-4-MY-HOME®
(1-800-469-4663)

Call anytime, day or night
(U.S.A. and Canada)

www.sears.com

www.sears.ca

Our Home

For repair of carry-in items like vacuums, lawn equipment, and electronics, call or go on-line for the location of your nearest **Sears Parts and Repair Center.**

1-800-488-1222 Call anytime, day or night (U.S.A. only)
www.sears.com

To purchase a protection agreement (U.S.A.) or maintenance agreement (Canada) on a product serviced by Sears:

1-800-827-6665 (U.S.A.)

1-800-361-6665 (Canada)

Para pedir servicio de reparación a domicilio, y para ordenar piezas:

1-888-SU-HOGAR®
(1-888-784-6427)

Au Canada pour service en français:

1-800-LE-FOYER^{MC}
(1-800-533-6937)
www.sears.ca



© Sears Brands, LLC

® Registered Trademark / TM Trademark / SM Service Mark of Sears Brands, LLC

® Marca Registrada / TM Marca de Fábrica / SM Marca de Servicio de Sears Brands, LLC

^{MC} Marque de commerce / ^{MD} Marque déposée de Sears Brands, LLC

Free Manuals Download Website

<http://myh66.com>

<http://usermanuals.us>

<http://www.somanuals.com>

<http://www.4manuals.cc>

<http://www.manual-lib.com>

<http://www.404manual.com>

<http://www.luxmanual.com>

<http://aubethermostatmanual.com>

Golf course search by state

<http://golfingnear.com>

Email search by domain

<http://emailbydomain.com>

Auto manuals search

<http://auto.somanuals.com>

TV manuals search

<http://tv.somanuals.com>