

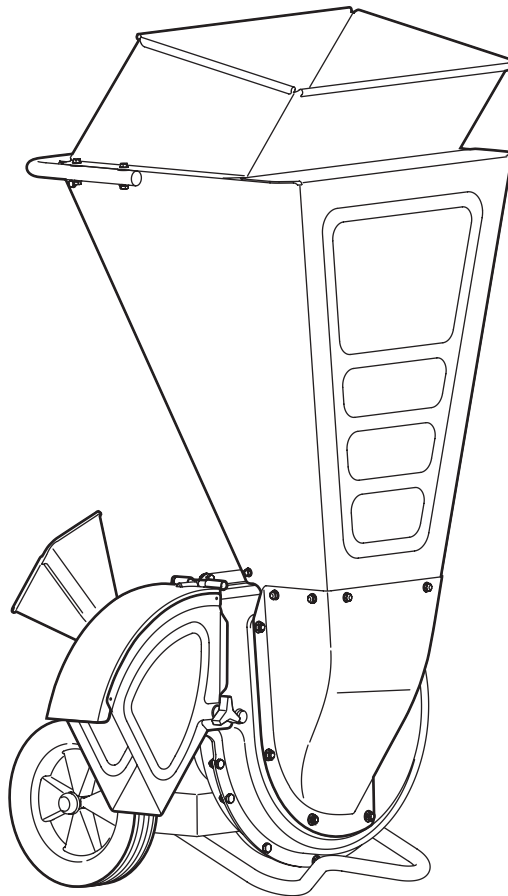
Operator's Manual

CRAFTSMAN[®]

7.5 Horse Power

CHIPPER SHREDDER

Model No. 247.776360



CAUTION: Before using this product, read this manual and follow all safety rules and operating instructions.

- SAFETY
- ASSEMBLY
- OPERATION
- MAINTENANCE
- PARTS LIST

Sears, Roebuck and Co., Hoffman Estates, IL 60179, U.S.A.

Visit our web site: www.sears.com/craftsman

FORM NO. 769-02543
05/24/2006

TABLE OF CONTENTS

Warranty Statement.....	Page 2	Off-Season Storage.....	Page 12
Safe Operation Practices	Pages 3-4	Trouble Shooting	Page 13
Assembly	Page 6	Parts List.....	Page 14-16
Operation.....	Pages 7-9	Español	Page 17
Maintenance	Pages 10-11	Service Numbers	Back Cover

WARRANTY STATEMENT

One -Year Warranty on Craftsman Chipper Shredder

For one year from the date of purchase, when this Craftsman Chipper Shredder is maintained, lubricated and tuned up according to the instructions in the owner's manual, Sears will repair, free of charge, any defect in material and workmanship. If this Craftsman chipper shredder is used for commercial or rental purposes, this warranty applies for only 30 days from the date of purchase.

This warranty does not cover:

- Expendable items which become worn during normal use, such as spark plug, blades and air cleaner.
- Repairs necessary because of operator abuse or negligence, including bent crankshafts and the failure to maintain the equipment according to the instructions contained in the owner's manual.

WARRANTY SERVICE IS AVAILABLE BY RETURNING THE CRAFTSMAN CHIPPER SHREDDER TO THE NEAREST SEARS PARTS & REPAIR CENTER IN THE UNITED STATES.

This warranty applies only while this product is in use in the United States.

TO LOCATE THE NEAREST SEARS PARTS & REPAIR CENTER OR TO SCHEDULE SERVICE, SIMPLY CONTACT SEARS AT 1-800-4-MY-HOME®.

This warranty gives you specific legal rights and you may also have other rights which may vary from state to state.

SEARS, ROEBUCK AND CO., D/817WA, HOFFMAN ESTATES, IL 60179

Repair Protection Agreements

Congratulations on making a smart purchase. Your new Craftsman® product is designed and manufactured for years of dependable operation. But like all products, it may require repair from time to time. That's when having a Repair Protection Agreement can save you money and aggravation.

Here's what's included in the Agreement:

- Expert service by our 12,000 professional repair specialists
- Unlimited service and no charge for parts and labor on all covered repairs
- Product replacement if your covered product can't be fixed
- Discount of 10% from regular price of service and service-related parts not covered by the agreement; also, 10% off regular price of preventive maintenance check
- Fast help by phone – phone support from a Sears technician on products requiring in-home repair, plus convenient repair scheduling

Purchase a Repair Protection Agreement now and protect yourself from unexpected hassle and expense.

Once you purchase the Agreement, a simple phone call is all that it takes for you to schedule service. You can call anytime day or night, or schedule a service appointment online.

Sears has over 12,000 professional repair specialists, who have access to over 4.5 million quality parts and accessories. That's the kind of

professionalism you can count on to help prolong the life of your new purchase for years to come. Purchase your Repair Protection Agreement today!

Some limitations and exclusions apply. For prices and additional information call 1-800-827-6655.

Sears Installation Service

For Sears professional installation of home appliances, garage door openers, water heaters, and other major home items, in the U.S.A. call 1-800-4-MY-HOME®

PRODUCT SPECIFICATIONS

Horse Power: **7.5 Horse Power**
Engine Oil: **SAE 30**
Oil Capacity: **20 Ounces**
Fuel: **Unleaded Gasoline**
Spark Plug: **Champion® RC-12YC**
Engine: **Briggs and Stratton 150112-0408**

MODEL NUMBER

Model Number

Serial Number

Date of Purchase.....

Record the model number, serial number and date of purchase above

SAFE OPERATION PRACTICES



WARNING: Engine Exhaust, some of its constituents, and certain vehicle components contain or emit chemicals known to State of California to cause cancer and birth defects or other reproductive harm.

DANGER: This machine was built to be operated according to the rules for safe operation in this manual. As with any type of power equipment, carelessness or error on the part of the operator can result in serious injury. This machine is capable of amputating hands and feet and throwing objects. Failure to observe the following safety instructions could result in serious injury or death.



WARNING: This symbol points out important safety instructions which, if not followed, could endanger the personal safety and/or property of yourself and others. Read and follow all instructions in this manual before attempting to operate this machine. Failure to comply with these instructions may result in personal injury. When you see this symbol. **HEED ITS WARNING!**

Training

1. Read, understand, and follow all instructions on the machine and in the manual(s) before attempting to assemble and operate. Keep this manual in a safe place for future and regular reference and for ordering replacement parts.
2. Be familiar with all controls and their proper operation. Know how to stop the machine and disengage them quickly.
3. Never allow children under 16 years old to operate this machine. Children 16 years old and over should read and understand the operation instructions and safety rules in this manual and should be trained and supervised by a parent.
4. Never allow adults to operate this machine without proper instruction.
5. Keep bystanders, helpers, pets, and children at least 75 feet from the machine while it is in operation. Stop machine if anyone enters the area.
6. Never run an engine indoors or in a poorly ventilated area. Engine exhaust contains carbon monoxide, an odorless and deadly gas.
7. Do not put hands and feet near rotating parts or in the feeding chambers and discharge opening. Contact with the rotating impeller can amputate fingers, hands, and feet.
8. Never attempt to unclog either the feed intake or discharge opening, remove or empty vacuum bag, or inspect and repair the machine while the engine is running. Shut the engine off and wait until all moving parts have come to a complete stop. Disconnect the spark plug wire and ground it against the engine.

Preparation

1. Thoroughly inspect the area where the equipment is to be used. Remove all rocks, bottles, cans, or other foreign objects which could be picked up or thrown and cause personal injury or damage to the machine.
2. Always wear safety glasses or safety goggles during operation or while performing an adjustment or repair, to protect eyes. Thrown objects which ricochet can cause serious injury to the eyes.
3. Wear sturdy, rough-soled work shoes and close-fitting slacks and shirts. Loose fitting clothes or jewelry can be caught in movable parts. Never operate this machine in bare feet or sandals. Wear leather work gloves when feeding material in the chipper chute.
4. Before starting, check all bolts and screws for proper tightness to be sure the machine is in safe working condition. Also, visually inspect machine for any damage at frequent intervals.
5. Maintain or replace safety and instructions labels, as necessary.
6. To avoid personal injury or property damage use extreme care in handling gasoline. Gasoline is extremely flammable and the vapors are explosive. Serious personal injury can occur when gasoline is spilled on yourself or your clothes which can ignite. Wash your skin and change clothes immediately.
 - a. Use only an approved gasoline container.
 - b. Extinguish all cigarettes, cigars, pipes, and other sources of ignition.
 - c. Never fuel machine indoors.
 - d. Never remove gas cap or add fuel while the engine is hot or running.
 - e. Allow engine to cool at least two minutes before refueling.
 - f. Never over fill fuel tank. Fill tank to no more than 1/2 inch below bottom of filler neck to provide space for fuel expansion.
 - g. Replace gasoline cap and tighten securely.
 - h. If gasoline is spilled, wipe it off the engine and equipment. Move machine to another area. Wait 5 minutes before starting the engine.
 - i. Never store the machine or fuel container inside where there is an open flame, spark, or pilot light (e.g. furnace, water heater, space heater, clothes dryer, etc.).
 - j. To reduce a fire hazard, keep machine free of grass, leaves, or other debris build-up. Clean up oil or fuel spillage and remove any fuel soaked debris.
 - k. Allow machine to cool at least 5 minutes before storing.

SAFE OPERATION PRACTICES

Operation

1. Do not put hands and feet near rotating parts or in the feeding chambers and discharge opening. Contact with the rotating impeller can amputate fingers, hands, and feet.
2. Before starting the machine, make sure the chipper chute, feed intake, and cutting chamber are empty and free of all debris.
3. Thoroughly inspect all material to be shredded and remove any metal, rocks, bottles, cans, or other foreign objects which could cause personal injury or damage to the machine.
4. If the impeller strikes a foreign object or if your machine should start making an unusual noise or vibration, immediately shut the engine off. Allow the impeller to come to a complete stop. Disconnect the spark plug wire, ground it against the engine and perform the following steps:
 - a. Inspect for damage.
 - b. Repair or replace any damaged parts.
 - c. Check for any loose parts and tighten to assure continued safe operation.
5. Do not allow an accumulation of processed material to build up in the discharge area. This can prevent proper discharge and result in kickback of material through the feed opening.
6. Do not attempt to shred or chip material larger than specified on the machine or in this manual. Personal injury or machine damage could result.
7. Never attempt to unclog either the feed intake or discharge opening while the engine is running. Shut the engine off, wait until all moving parts have stopped, disconnect the spark plug wire and ground it against the engine before clearing debris.
8. Never operate without vacuum bag and discharge chute properly attached to the machine. Never empty or change vacuum bag while the engine is running. Zippered end of vacuum bag must be kept closed at all times during operation.
9. Never operate without either the inlet nozzle or optional hose attachment properly attached to the machine. Never attempt to attach or change either attachment while the engine is running.
10. Keep all guards, deflectors and safety devices in place and operating properly.
11. Keep your face and body back and to the side of the chipper chute while feeding material into the machine to avoid accidental kickback injuries.
12. Never operate this machine without good visibility or light. Always be sure of your footing and keep a firm hold on the handles.
13. Do not operate this machine on a gravel surface.
14. Do not operate this machine while under the influence of alcohol or drugs.
15. Muffler and engine become hot and can cause a burn. Do not touch.
16. Never pick up or carry machine while the engine is running.

Maintenance & Storage

1. Never tamper with safety devices. Check their proper operation regularly.
2. Check bolts and screws for proper tightness at frequent intervals to keep the machine in safe working condition. Also, visually inspect machine for any damage and repair, if needed.
3. Before cleaning, repairing, or inspecting, stop the engine and make certain the impeller and all moving parts have stopped. Disconnect the spark plug wire and ground it against the engine to prevent unintended starting.
4. Do not change the engine governor settings or overspeed the engine. The governor controls the maximum safe operating speed of the engine.
5. Maintain or replace safety and instruction labels, as necessary.
6. Follow this manual for safe loading, unloading, transporting, and storage of this machine.
7. Never store the machine or fuel container inside where there is an open flame, spark or pilot light such as a water heater, furnace, clothes dryer, etc.
8. Always refer to the operator's manual for proper instructions on off-season storage.
9. If the fuel tank has to be drained, do this outdoors.
10. Observe proper disposal laws and regulations for gas, oil, etc. to protect the environment.

Do not modify engine

To avoid serious injury or death, do not modify engine in any way. Tampering with the governor setting can lead to a runaway engine and cause it to operate at unsafe speeds. Never tamper with factory setting of engine governor.

Notice regarding Emissions

Engines which are certified to comply with California and federal EPA emission regulations for SORE (Small Off Road Equipment) are certified to operate on regular unleaded gasoline, and may include the following emission control systems: Engine Modification (EM) and Three Way Catalyst (TWC) if so equipped.

Your Responsibility

Restrict the use of this power machine to persons who read, understand and follow the warnings and instructions in this manual and on the machine.

Look For Relevant Emissions Durability Period and Air Index Information On Your Engine Emissions Label

Engines that are certified to meet the California Air Resources Board (CARB) Tier 2 Emission Standards must display information regarding the Emissions Durability Period and the Air Index. Sears, Roebuck and Co., U.S.A. makes this information available to the consumer on our emission labels.

The Emissions Durability Period describes the number of hours of actual running time for which the engine is certified to be emissions compliant, assuming proper maintenance in accordance with the Operating & Maintenance Instructions. The following categories are used:

Moderate: Engine is certified to be emission compliant for 125 hours of actual engine running time.

Intermediate: Engine is certified to be emission compliant for 250 hours of actual engine running time.

Extended: Engine is certified to be emission compliant for 500 hours of actual engine running time.

For example, a typical walk-behind lawn mower is used 20 to 25 hours per year. Therefore, the **Emissions Durability Period** of an engine with an **intermediate** rating would equate to 10 to 12 years.

The **Air Index** is a calculated number describing the relative level of emissions for a specific engine family. The lower the **Air Index**, the cleaner the engine. This information is displayed in graphical form on the emissions label.

After July 1, 2000, Look For Emissions Compliance Period On Engine Emissions Compliance Label

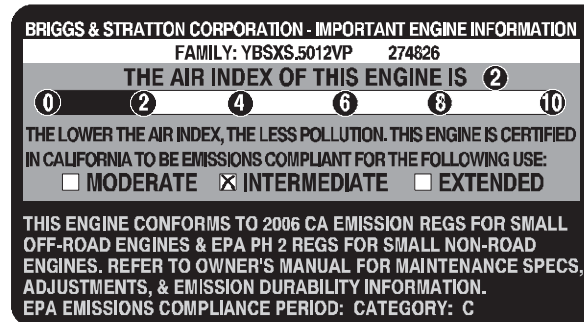
After July 1, 2000 certain Sears, Roebuck and Co., U.S.A. engines will be certified to meet the United States Environmental Protection Agency (USEPA) Phase 2 emission standards. For Phase 2 certified engines, the Emissions Compliance Period referred to on the Emissions Compliance label indicates the number of operating hours for which the engine has been shown to meet Federal emission requirements.

For engines less than 225 cc displacement, Category C = 125 hours, B = 250 hours and A = 500 hours.

For engines of 225 cc or more, Category C = 250 hours, B = 500 hours and A = 1000 hours.

The displacement engines of Model Series 150112 is 249 cc.

This is a generic representation of the emission label typically found on a certified engine.



ASSEMBLY

IMPORTANT: This unit is shipped without gasoline or oil in the engine. After assembly, see OPERATION section of this manual for proper fuel and engine oil fill-up.

This Chipper Shredder has been completely assembled at the factory, except for the debris collection bag, which is stowed in the chipper chute for shipping.

Removing Unit From Carton

1. Remove staples, break glue on top flaps or cut tape at carton end and peel along top flap to open carton.
2. Remove any loose parts.
3. Cut down along carton edges and lay carton down flat.
4. Remove packing material, if present. Lift unit from the rear and discard bottom pad, if present. Roll unit out of carton. Check carton thoroughly for loose parts.

Loose Parts In Carton

- a. One Debris Collection Bag
- b. One Pair of Safety Glasses
- c. One 20 oz. Bottle of Engine Oil
- d. One Operator's Manual

Attaching The Debris Collection Bag

2. To attach the bag:
 - a. Place the opening of the bag completely over the chute deflector.
 - b. Position the bag so that the wing knobs which secure the chute deflector to the impeller housing are completely covered.
 - c. Pull on the drawstrap until the bag is tight around chute deflector opening. See Figure 1.

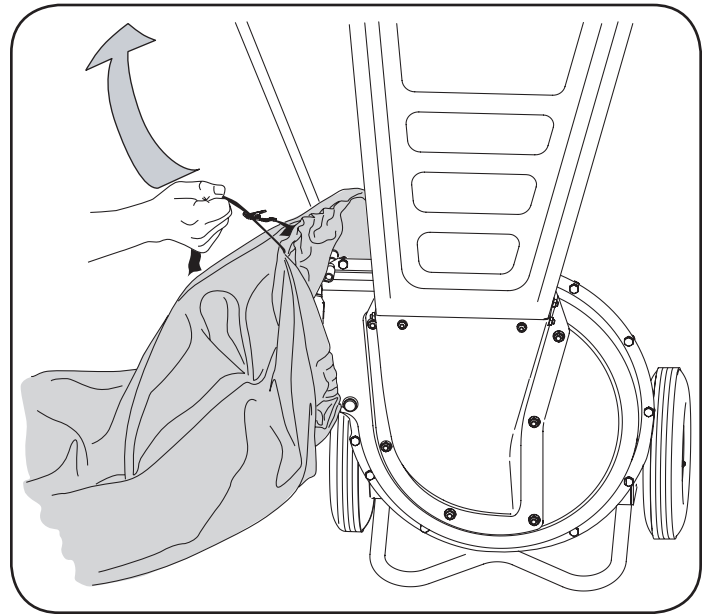
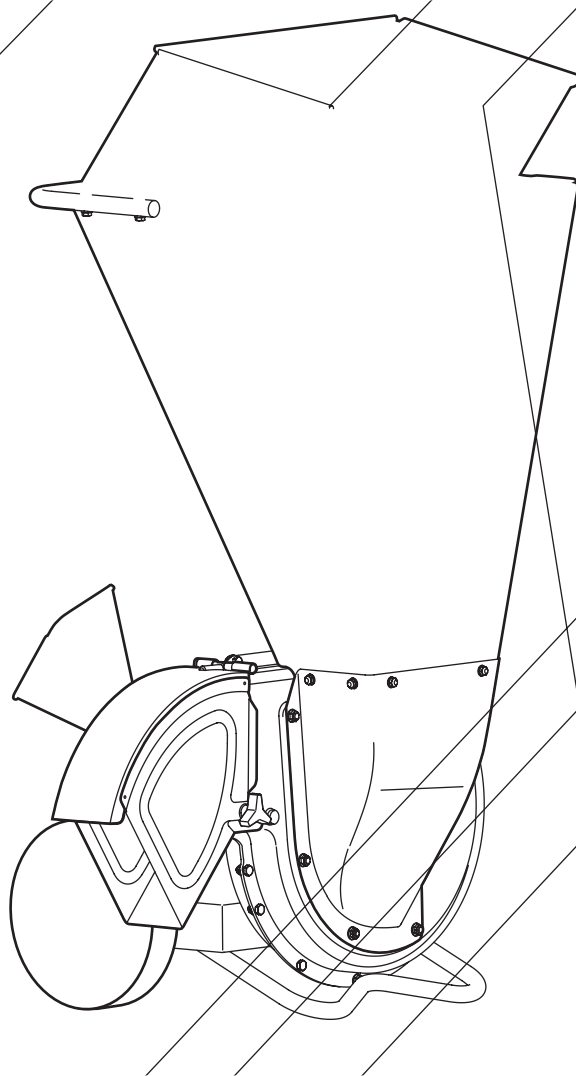


Figure 1



OPERATION



WARNING: The operation of any chipper shredder can result in foreign objects being thrown into the eyes, which can damage your eyes severely. Always wear the safety glasses provided with this unit or eye shields before chipping or shredding and while performing any adjustments or repairs.

Gas and Oil Fill-Up

Service the engine with gasoline and oil as instructed in the separate *Briggs & Stratton* engine manual packed with your chipper shredder. Read instructions carefully.



WARNING: Never fill fuel tank indoors with engine running or until the engine has been allowed to cool for at least two minutes after running.

Starting Engine

1. Move choke control lever to CHOKE position. See Figure 5.

NOTE: A warm engine may not require choking.

2. Move throttle control lever to FAST (rabbit) position. See Figure 5.
3. Grasp starter handle and pull rope out slowly until engine reaches start of compression cycle (rope will pull slightly harder at this point).

NOTE: A "clanking" noise may be heard when pulling the starter rope. It is completely normal and does NOT indicate a malfunction of any kind.

4. Pull rope with a rapid, continuous, full arm stroke. Keep a firm grip on starter handle. Let rope rewind slowly.
5. Repeat the previous steps until engine starts. When engine starts, move choke control gradually to RUN position until the engine is running smoothly.



WARNING: Never run the engine indoors or in a poorly ventilated area. Engine exhaust contains carbon monoxide, an odorless and deadly gas.

Stopping Engine

1. Move throttle control lever to STOP position. See Figure 6.

NOTE: See your engine manual packed with your unit for more detailed instructions.

CAUTION: Never stop the engine by moving the choke lever into the CHOKE position. Backfire, fire or engine damage could result.

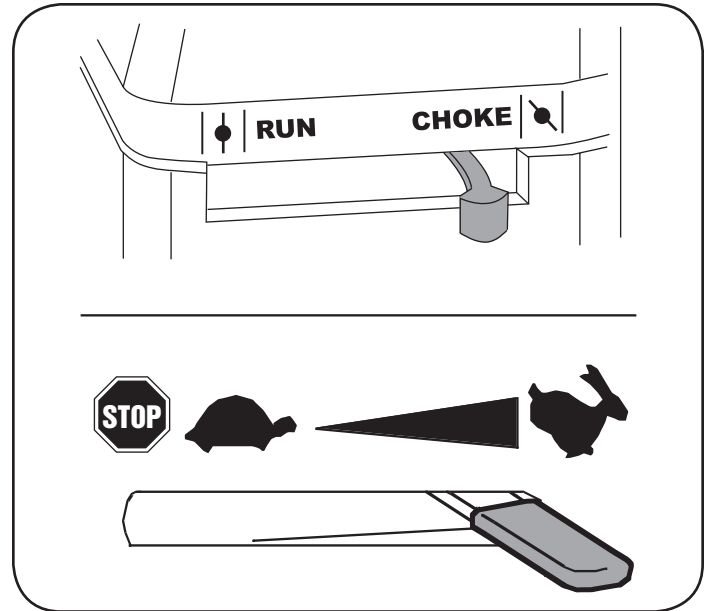


Figure 5

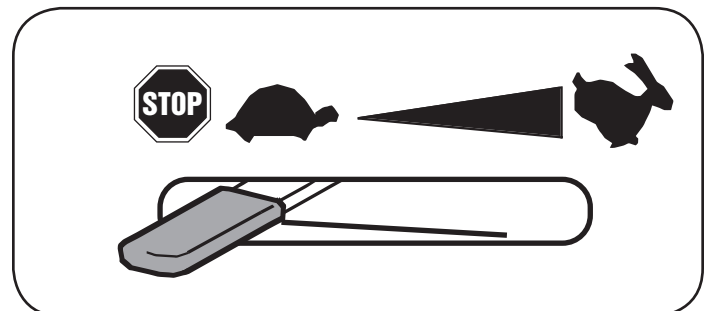


Figure 6

OPERATION

Shredding

Yard waste such as leaves and pine needles can be placed in the hopper for shredding. After material has been processed by the shredder blade and flails, it will be forced out of the chute deflector, and, if attached, into a debris collection bag.

Observe the following guidelines when shredding yard debris:

1. Never attempt to shred material other than normal yard debris (leaves, twigs, pine cones, etc.).
2. Avoid shredding fibrous plants such as tomato vines until they are thoroughly dried out. Fresh vines do not shred well and tend to wrap themselves around the impeller and flails.
3. Place reasonable amounts of debris into the hopper at a time. Do not overload the hopper.
4. Allow the material in the hopper to be drawn into the blades and shredded before adding additional debris to the hopper. Failure to do so may result in a clogged hopper, clogged chute deflector or a stalled engine.
5. Avoid placing twigs longer than 24 inches into the hopper. Twigs longer than 24 inches may result in a clogged hopper.
6. Never place branches with a diameter greater than 1/2-inch in the hopper. Doing so can result in serious damage to the unit's shredder blade, flails or impeller.

Clearing the Hopper

Should the hopper become clogged with debris during operation, proceed as follows:

1. Grasp the handle with both hands and gently agitate the chipper shredder to help loosen debris, drawing it into the impeller.

If the clog does not clear, proceed as follows:

1. Stop engine.
2. Use your hands to remove any debris found near the top of the hopper.
3. Use a branch (or other available device, i.e. broomstick) to dislodge debris located toward the base of the hopper.
4. Restart engine.

NOTE: If you're unable to pull the starter rope as a result of accumulated debris near the impeller, follow instructions under the heading **Cleaning the Reduction Chamber** in the "Maintaining Your Chipper Shredder" section of this manual.

Chipping



WARNING: Never operate the chipper shredder without chipper chute lowered into the operating position.

Branches up to 2" in diameter can be fed into the chipper chute.

Observe the following guidelines when chipping branches:

1. Keep both hands firmly on the branch as you feed it into the chipper chute.
2. Never feed more than one branch into the chipper chute at a time.
3. Never feed anything other than branches (or wood) into the chipper chute.
4. Apply intermittent pressure (force, in short pulses) while feeding larger (2-inch diameter) branches into the chipper chute, to avoid bogging or stalling the engine.

IMPORTANT: Never feed branches with a diameter greater than two (2) inches into the chipper chute. Doing so can result in serious damage to your unit's chipper blades, flails or impeller.

NOTE: For best performance, always operate the unit with sharp chipper blades. If a noticeable loss in performance is encountered while chipping branches, the chipper blades should be replaced.

Emptying the Debris Collection Bag

1. Stop engine.
2. Squeeze the locking buckle release the bag's drawstrap before loosening it from the chute deflector. See Figure 7.
3. Empty the bag and reattach to the chute deflector opening. Refer to Figure 2.

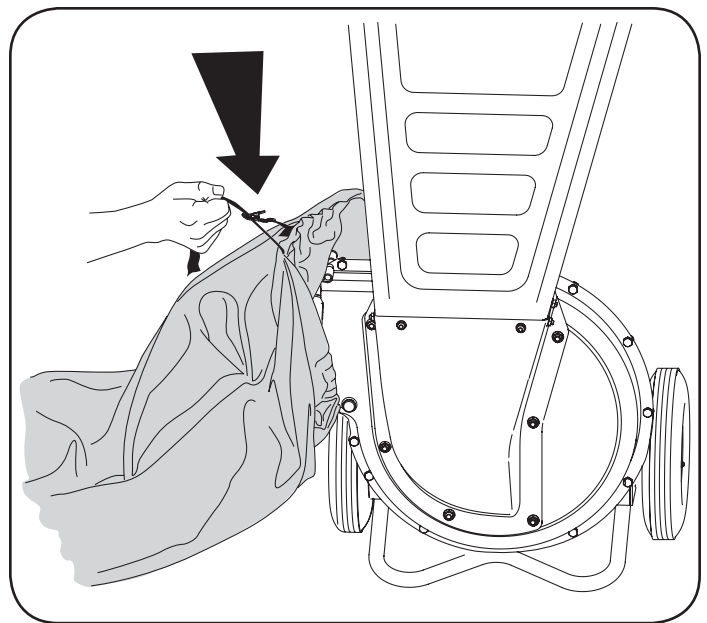


Figure 7

MAINTENANCE



WARNING: Always stop engine, disconnect spark plug, and ground against engine before cleaning, lubricating or doing any kind of maintenance on your machine.

Lubrication

1. Lubricate the chipper chute hinge with light oil once a season.
2. Lubricate the pivot points on the chute deflector with light oil once a season.
3. Refer to the Briggs & Stratton Owner/Operator manual packed with your unit for engine lubrication instructions.

Engine Care

Refer to the Maintenance section of the Briggs & Stratton Owner/Operator manual packed with your unit. Read and follow instructions carefully.

1. Check **engine oil level** before each use as instructed in the separate engine manual.
2. Clean **air cleaner's precleaner** every 25 hours under normal conditions. Clean every few hours under extremely dusty conditions. Replace the **air cleaner cartridge** once a season. To service the air cleaner, refer to the separate engine manual.
3. The **spark plug** should be cleaned and the gap reset once a season. Refer to the separate engine manual for correct plug type and gap specifications.

Chipper Shredder Care

Before each use, visually inspect your chipper shredder for loose (or missing) nuts and bolts. Securely tighten (or replace) all hardware before operating the chipper shredder.

Cleaning The Reduction Chamber



WARNING: The impeller's shredder blade and chipper blades are sharp. Wear leather work gloves to protect your hands when cleaning out the reduction chamber.

If the reduction chamber becomes clogged with debris, the shredder screen can be pivoted upward so that you can clean the surrounding area. To do so, proceed as follows:

1. Stop engine, disconnect spark plug, and make certain the chipper shredder has come to a complete stop.



WARNING: The muffler and surrounding area will be hot if the engine has been running. Use caution and protect your hands if working near the muffler.

2. a. If attached, remove debris bag. Remove the two wing knobs on either side of the chute deflector and pivot the chute deflector upward. See Figure 8.
b. Remove the hairpin clip from the clevis pin which extends through the housing and shredder screen. See Figure 8. Remove clevis pin.
c. Pivot the shredder screen upward and clean the surrounding area by scraping away debris.
3. Confirm that the spark plug wire is disconnected and away from spark plug. Pull on the starter rope two-to-three times to purge any remaining debris from the reduction chamber

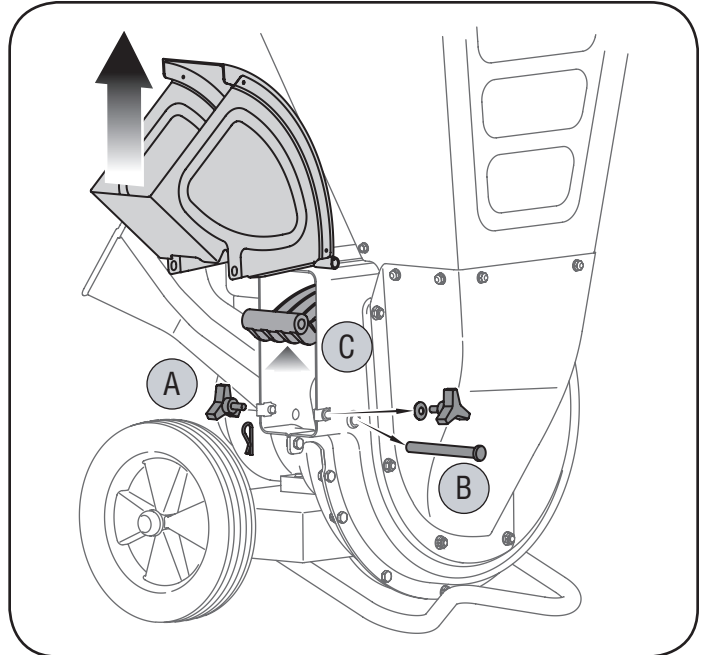


Figure 8

4. When the area is cleaned, pivot the shredder screen downward and re-secure with the clevis pin and hairpin clip removed earlier.
5. Reattach the debris collection bag to the chute deflector, if desired.

Sharpening Or Replacing Chipper Blades



WARNING: The impeller's chipper blades are sharp. Wear leather work gloves to protect your hands.

1. Stop engine, disconnect spark plug, and make certain the chipper shredder has come to a complete stop.
2. Pivot the shredder screen upward as instructed under the heading Cleaning the Reduction Chamber.
3. a. Remove the chipper chute by removing three hex nuts and washers which secure it to the impeller housing. See Figure 9.
 - Rotate the impeller by hand until one of the two chipper blades is visible through the impeller housing opening.
 - b. Remove the blade by removing the internal hex screws, lock washers and hex nuts which secure it to the impeller.

NOTE: Use a 3/16" hex key (Allen) wrench on the outside of the blade and a 1/2" box (or socket) wrench on the inside of the impeller. Hold the Allen wrench stationary and rotate the box (or socket) wrench to loosen the nut.

4. Install a replacement (or sharpened) blade (Part No. 742-0544A) with the hardware removed earlier.

IMPORTANT: If sharpening the blade, protect hands by using gloves. Follow the original angle of grind and make sure to remove an equal amount from each blade.

5. To replace the other blade, rotate the impeller to expose the second blade and repeat the steps above.

MAINTENANCE

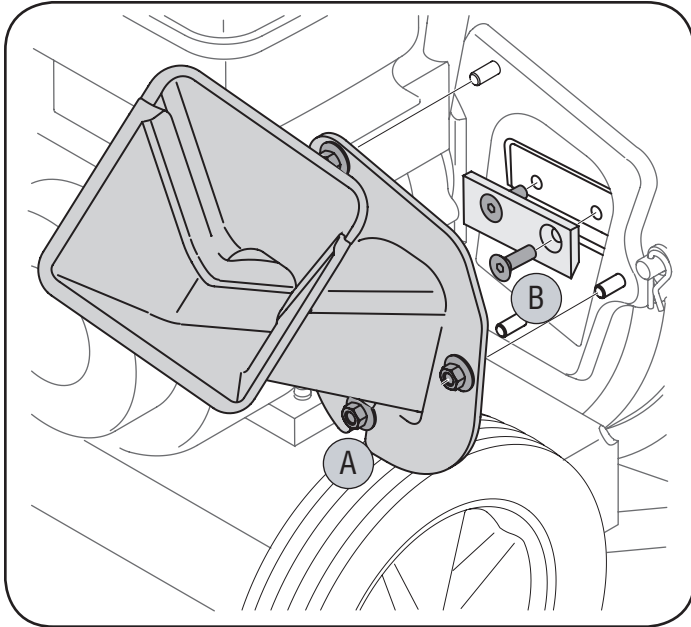


Figure 9

NOTE: Make certain blades are reassembled with the sharp edge outward (toward the chipper chute). Torque hardware to between 20 ft.-lbs and 25 ft.-lbs.

Sharpening Or Replacing the Shredder Blade



WARNING: The shredder blade is sharp. Wear leather work gloves to protect your hands.

1. Stop engine, disconnect spark plug, and make certain that all moving parts have come to a complete stop.
2. Remove the two flange nuts (and hex bolts) which secure the hopper support bracket to the impeller housing. Retain the hardware. See Figure 10.
3. Pivot the shredder screen upward as instructed under the heading **Cleaning the Reduction Chamber**.
4.
 - a. Remove six flange nuts which secure hopper inlet guide to impeller housing. See Figure 11.
 - Carefully separate the hopper assembly from the impeller housing and set it aside.
 - Insert a piece of wood into the chute deflector opening to stabilize the impeller and prevent it from rotating when removing the shredder blade.
 - b. Remove the two internal hex screws, hex lock nuts, and lock washers which secure the shredder blade to the impeller. See Figure 11.

NOTE: Use a 3/16" hex key (Allen) wrench on the outside of the shredder blade and a 1/2" box (or socket) wrench on the inside of the shredder blade. Hold the Allen wrench stationary and rotate the box (or socket) wrench to loosen the nut.

- c. Remove the hex bolt, lock washer, and flat washer to completely free shredder blade. See Figure 11.

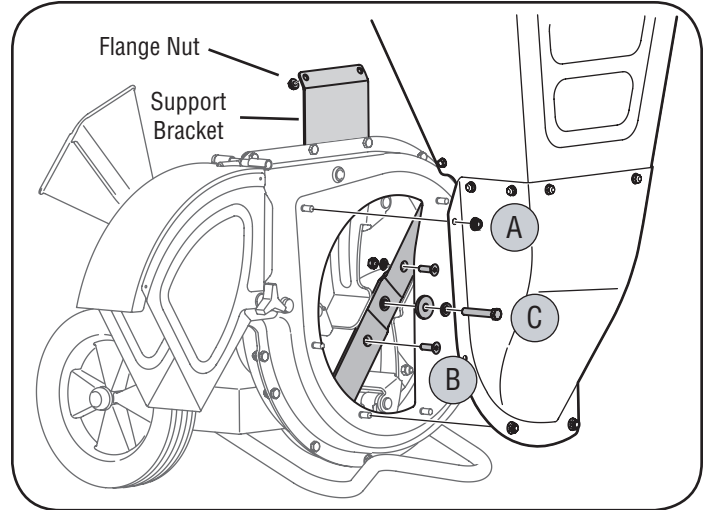


Figure 10

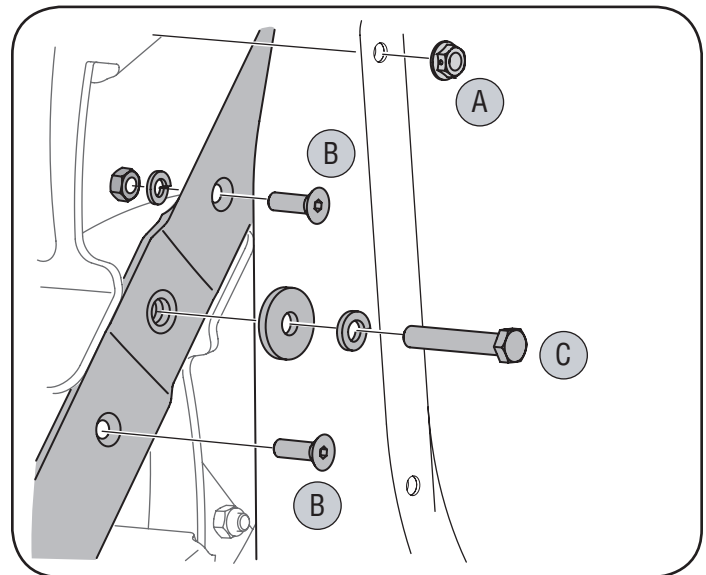


Figure 11

IMPORTANT: If sharpening the blade for reuse, follow the original angle of grind as a guide. Make certain each cutting edge receives an equal amount of grinding to prevent an unbalanced blade. Remove metal from the heavy side until it is balanced evenly.

IMPORTANT: When reassembling the blade, tighten center bolt to between 45 ft.-lbs and 60 ft.-lbs and the two out bolts to between 20 ft.-lbs and 25 ft.-lbs.

Storing Your Chipper Shredder

1. Clean the equipment thoroughly.
2. Wipe equipment with an oiled rag to prevent rust.
3. Refer to engine manual for correct engine storage instructions
4. Store unit in a clean, dry area. Do not store next to corrosive materials such as fertilizer.

OFF-SEASON STORAGE

Prepare your Craftsman Chipper Shredder for storage at the end of the season or if the unit will not be used for 30 days or longer. A yearly check-up by your local Sears Parts & Repair Center is a good way to ensure that the unit runs properly next season.

Chipper Shredder

- Clean the equipment thoroughly.
- Wipe equipment with an oiled rag to prevent rust. Use a light oil or silicone to wipe.
- Store unit in a clean, dry area. Do not store next to corrosive materials such as fertilizer.

Engine

- Service the engine as instructed in the separate Briggs & Stratton engine manual packed with your chipper shredder.

Other

- Do not store gasoline from one season to another.
- Replace the gasoline can if it starts to rust. Rust and/or dirt in the gasoline will cause problems.
- Store unit in a clean, dry area. Do not store next to corrosive materials, such as fertilizer.

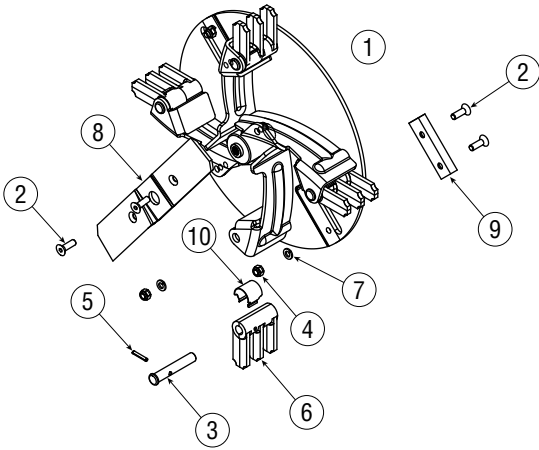
NOTE: If storing in an unventilated or metal storage shed, be certain to rustproof the equipment by coating with a light oil or silicone.

TROUBLESHOOTING

Problem	Cause	Remedy
Engine fails to start	<ol style="list-style-type: none"> 1. Throttle lever not in correct starting position (if equipped). 2. Spark plug wire disconnected. 3. Choke not in CHOKE position (if equipped). 4. Fuel tank empty or stale fuel. 5. Engine not primed (if equipped). 6. Faulty spark plug. 7. Blocked fuel line. 8. Engine flooded. 	<ol style="list-style-type: none"> 1. Move throttle lever to FAST or START position. 2. Connect wire to spark plug. 3. Move choke lever to CHOKE position. 4. Fill tank with clean, fresh gasoline. 5. Prime engine as instructed in Engine Manual. 6. Clean, adjust gap, or replace. 7. Clean fuel line. 8. Wait a few minutes to restart, but do not prime.
Engine runs erratic	<ol style="list-style-type: none"> 1. Spark plug wire loose. 2. Unit running on CHOKE (if equipped). 3. Blocked fuel line or stale fuel. 4. Vent in gas cap plugged. 5. Water or dirt in fuel system. 6. Dirty air cleaner. 7. Carburetor out of adjustment. 	<ol style="list-style-type: none"> 1. Connect and tighten spark plug wire. 2. Move choke lever to OFF position. 3. Clean fuel line; fill tank with clean, fresh gasoline. 4. Clear vent. 5. Drain fuel tank. Refill with fresh fuel. 6. Refer to engine manual. 7. See authorized service dealer.
Engine overheats	<ol style="list-style-type: none"> 1. Engine oil level low. 2. Dirty air cleaner. 3. Carburetor not adjusted properly. 	<ol style="list-style-type: none"> 1. Fill crankcase with proper oil. 2. Refer to engine manual. 3. See authorized service dealer.
Occasional skips (hesitates) at high speed	<ol style="list-style-type: none"> 1. Spark plug gap too close. 2. Carburetor idle mixture adjustment improperly set. 	<ol style="list-style-type: none"> 1. Adjust gap to .030". 2. See authorized service dealer.
Excessive Vibration	<ol style="list-style-type: none"> 1. Loose parts or damaged impeller. 	<ol style="list-style-type: none"> 1. See authorized service dealer.
Unit does not discharge	<ol style="list-style-type: none"> 1. Chute deflector clogged. 2. Foreign object lodged in impeller. 3. Low engine RPM. 	<ol style="list-style-type: none"> 1. Stop engine immediately and disconnect spark plug wire. Clean flail screen and inside of discharge opening. 2. Stop engine and disconnect spark plug wire. Remove lodged object. 3. Always run engine at full throttle.
Rate of discharge slows considerably or composition of discharged material changes	<ol style="list-style-type: none"> 1. Low engine RPM. 2. Chipper blade dull. 	<ol style="list-style-type: none"> 1. Always run engine at full throttle. 2. Replace chipper blade or see your authorized service dealer.

PARTS LIST

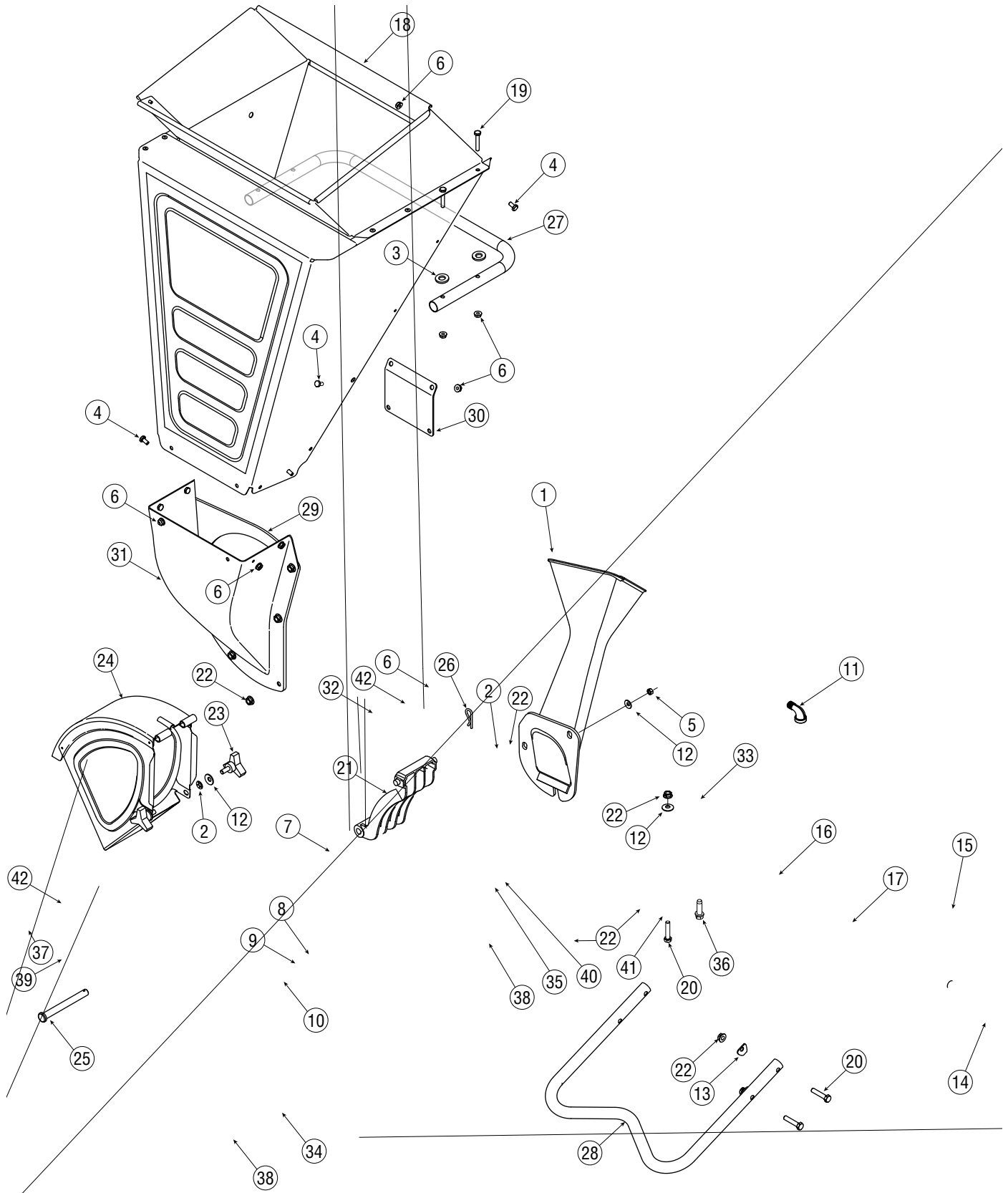
Sears Craftsman 7.5 HP Chipper Shredder Model 247.776360



1	681-04009	Impeller Assembly Complete
2	710-1054	Machine Screw, 5/16-24 x 1.0
3	711-0833B	Clevis Pin, .496
4	712-0411	Hex Lock Nut, 5/16-24
5	715-0166	Spiral Pin, .156 x 1.0
6	719-0329	Flail
7	736-0119	Lock Washer, 5/16
8	742-04050	Shredder Blade
9	742-0544A	Chipper Blade
10	781-0735	Retainer Clip

PARTS LIST

Sears Craftsman 7.5 HP Chipper Shredder Model 247.776360



PARTS LIST

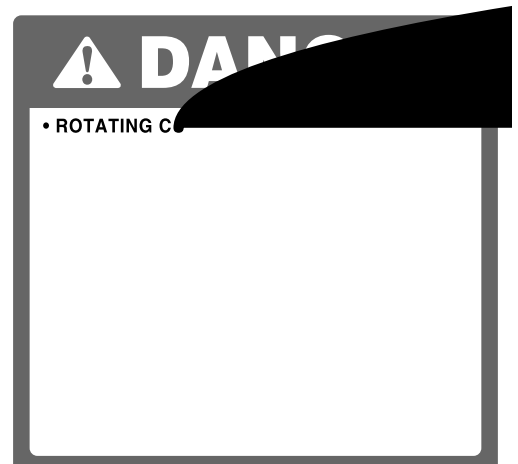
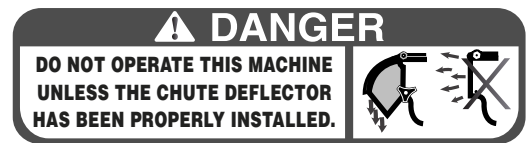
Sears Craftsman 7.5 HP Chipper Shredder Model 247.776360

1	681-0095	Chipper Chute Assembly	23	681-0048	Knob Assembly (Incl. ref.# 12 & 61)
2	726-0201	Speed Nut, .3125ID	24	681-0094	Chute Deflector Assembly
3	736-0173	Flat Washer, .28 x.74 x.063	25	711-0835	Clevis Pin, .50 x 4.62
4	710-3013	Hex Cap Screw, 1/4-20 x.5	26	714-0149B	Internal Cotter Pin
5	712-3010	Hex Nut, 5/16-18	27	749-04103	Hopper Handle
6	712-3027	Hex Lock Nut 1/4-20	28	749-04104	Tube Support
7	681-04009	Impeller Assembly	29	781-04007	Shredder Plate
		(See page 13 for Impeller Parts)	30	781-04027	Hopper Support Bracket
8	736-0247	Flat Washer,.406 x 1.25	31	781-04033	Inlet Guide
9	736-0217	Lock Washer, 3/8	32	681-0117	Inner Flail Housing Assembly
10	710-1254	Hex Cap Screw, 3/8-24 x 2.2	33	681-0184	Frame Assembly
11	737-0195	Elbow Fitting	34	681-04002	Outer Flail Housing Assembly
12	736-0242	Bell Washer.340 ID x.872 OD	35	710-0157	Hex Cap Screw, 5/16-24 x.75
13	736-0451	Washer,.320 ID x.93 OD	36	710-0502A	Hex Sems Screw, 3/8-16 x 1.25
14	726-0214	Push Cap, 5/8	37	710-0825	Hex Cap Screw, 1/4-20 x 3.75
15	734-1600	Wheel, 10 x 2.5	38	710-3025	Hex Cap Screw, 5/16-18 x.625
16	750-0786	Spacer, .64 x .88 x .38	39	726-0211	U-Nut, 5/16-18
17	738-0813	Axle, 22.47"	40	736-0119	Lock Washer, 5/16
18	681-04011	Shredder Hopper Assembly	41	736-0170	Special Lock Washer, 5/16
19	710-0809	Hex Cap Screw, 1/4-20 x 1.25	42	750-0793	Hinge Spacer,.265 x.380 x 1.66
20	710-0805	Hex Cap Screw, 5/16-18 x 1.50	—	664-04023	Debris Collection Bag (Not Shown)
21	719-04070	Shredder Screen	—	723-0400	Safety Glasses
22	712-3004A	Flange Lock Nut, 5/16-18			

PARTS LIST

Sears Craftsman 7.5 HP Chipper Shredder Model 247.776360

777S32282



(This page applicable in the U.S.A. and Canada only.)

**Sears, Roebuck and Co., U.S.A. (Sears), the California Air Resources Board (CARB)
and the United States Environmental Protection Agency (U.S. EPA)
Emission Control System Warranty Statement (Owner's Defect Warranty Rights and Obligations)**

EMISSION CONTROL WARRANTY COVERAGE IS APPLICABLE TO CERTIFIED ENGINES PURCHASED IN CALIFORNIA IN 1995 AND THEREAFTER, WHICH ARE USED IN CALIFORNIA, AND TO CERTIFIED MODEL

YEAR 1997 AND LATER ENGINES WHICH ARE PURCHASED AND USED ELSEWHERE IN THE UNITED STATES (AND AFTER JANUARY 1, 2001 IN CANADA).

California and United States Emission Control Defects Warranty Statement

The California Air Resources Board (CARB), U.S. EPA and Sears are pleased to explain the Emission Control System Warranty on your model year 2000 and later small off-road engine (SORE). In California, new small off-road engines must be designed, built and equipped to meet the State's stringent anti-smog standards. Elsewhere in the United States, new non-road, spark-ignition engines certified for model year 1997 and later must meet similar standards set forth by the U.S. EPA. Sears must warrant the emission control system on your

engine for the periods of time listed below, provided there has been no abuse, neglect or improper maintenance of your small off-road engine. Your emission control system includes parts such as the carburetor, air cleaner, ignition system, muffler and catalytic converter. Also included may be connectors and other emission related assemblies. Where a warrantable condition exists, Sears will repair your small off-road engine at no cost to you including diagnosis, parts and labor.

Sears Emission Control Defects Warranty Coverage

Small off-road engines are warranted relative to emission control parts defects for a period of one year, subject to provisions set forth below. If any covered

part on your engine is defective, the part will be repaired or replaced by Sears.

Owner's Warranty Responsibilities

As the small off-road engine owner, you are responsible for the performance of the required maintenance listed in your Operating and Maintenance Instructions. Sears recommends that you retain all your receipts covering maintenance on your small off-road engine, but Sears cannot deny warranty solely for the lack of receipts or for your failure to ensure the performance of all scheduled maintenance. As the small off-road engine owner, you should however be aware that Sears may deny you warranty coverage if your small off-road engine or a part has failed due to abuse, neglect, improper maintenance or unap-

proved modifications. You are responsible for presenting your small off-road engine to an Authorized Sears Service Dealer as soon as a problem exists. The undisputed warranty repairs should be completed in a reasonable amount of time, not to exceed 30 days. If you have any questions regarding your warranty rights and responsibilities, you should contact a Sears Service Representative at 1-800-469-4663. The emission warranty is a defects warranty. Defects are judged on normal engine performance. The warranty is not related to an in-use emission test.

Sears Emission Control Defects Warranty Provisions

The following are specific provisions relative to your Emission Control Defects Warranty Coverage. It is in addition to the Sears engine warranty for non-regulated engines found in the Operating and Maintenance Instructions.

1. Warranted Parts

Coverage under this warranty extends only to the parts listed below (the emission control systems parts) to the extent these parts were present on the engine purchased.

- a. Fuel Metering System
 - Cold start enrichment system
 - Carburetor and internal parts
 - Fuel Pump
- b. Air Induction System
 - Air cleaner
 - Intake manifold
- c. Ignition System
 - Spark plug(s)
 - Magneto ignition system
- d. Catalyst System
 - Catalytic converter
 - Exhaust manifold
 - Air injection system or pulse valve
- e. Miscellaneous Items Used in Above Systems
 - Vacuum, temperature, position, time sensitive valves and switches
 - Connectors and assemblies

2. Length of Coverage

Sears warrants to the initial owner and each subsequent purchaser that the Warranted Parts shall be free from defects in materials and workmanship which caused the failure of the Warranted Parts for a period of one year from the date the engine is delivered to a retail purchaser.

3. No Charge

Repair or replacement of any Warranted Part will be performed at no charge to the owner, including diagnostic labor which leads to the determination that a Warranted Part is defective, if the diagnostic work is performed at an Authorized Sears Service Dealer. For emissions warranty service contact your nearest Authorized Sears Service Dealer as listed in the "Yellow Pages" under "Engines, Gasoline," "Gasoline Engines," "Lawn Mowers," or similar category.

4. Claims and Coverage Exclusions

Warranty claims shall be filed in accordance with the provisions of the Sears Engine Warranty Policy. Warranty coverage shall be excluded for failures of Warranted Parts which are not original Sears parts or because of abuse, neglect or improper maintenance as set forth in the Sears Engine Warranty Policy. Sears is not liable to cover failures of Warranted Parts caused by the use of add-on, non-original, or modified parts.

5. Maintenance

Any Warranted Part which is not scheduled for replacement as required maintenance or which is scheduled only for regular inspection to the effect of "repair or replace as necessary" shall be warranted as to defects for the warranty period. Any Warranted Part which is scheduled for replacement as required maintenance shall be warranted as to defects only for the period of time up to the first scheduled replacement for that part. Any replacement part that is equivalent in performance and durability may be used in the performance of any maintenance or repairs. The owner is responsible for the performance of all required maintenance, as defined in the Sears Operating and Maintenance Instructions.

6. Consequential Coverage

Coverage hereunder shall extend to the failure of any engine components caused by the failure of any Warranted Part still under warranty.

In the USA and Canada, a 24 hour hot line, **1-800-469-4663**, has a menu of pre-recorded messages offering you engine maintenance information.

REPAIR PROTECTION AGREEMENT

Congratulations on making a smart purchase. Your new Craftsman® product is designed and manufactured for years of dependable operation. But like all products, it may require repair from time to time. That's when having a Repair Protection Agreement can save you money and aggravation.

Here's what's included in the Agreement:

- Expert service by our 12,000 professional repair specialists
- Unlimited service and no charge for parts and labor on all covered repairs
- Product replacement if your covered product can't be fixed
- Discount of 10% from regular price of service and service-related parts not covered by the agreement; also, 10% off regular price of preventive maintenance check
- Fast help by phone – phone support from a Sears technician on products requiring in-home repair, plus convenient repair scheduling

Purchase a Repair Protection Agreement now and protect yourself from unexpected hassle and expense.

Once you purchase the Agreement, a simple phone call is all that it takes for you to schedule service. You can call anytime day or night, or schedule a service appointment online.

Sears has over 12,000 professional repair specialists, who have access to over 4.5 million quality parts and accessories. That's the kind of professionalism you can count on to help prolong the life of your new purchase for years to come. Purchase your Repair Protection Agreement today!

Some limitations and exclusions apply. For prices and additional information call 1-800-827-6655.

Sears Installation Service

For Sears professional installation of home appliances, garage door openers, water heaters, and other major home items, in the U.S.A. call 1-800-4-MY-HOME®

Look For Relevant Emissions Durability Period and Air Index Information On Your Engine Emissions Label

Engines that are certified to meet the California Air Resources Board (CARB) Tier 2 Emission Standards must display information regarding the Emissions Durability Period and the Air Index. Sears, Roebuck and Co., U.S.A. makes this information available to the consumer on our emission labels.

The **Emissions Durability Period** describes the number of hours of actual running time for which the engine is certified to be emissions compliant, assuming proper maintenance in accordance with the Operating & Maintenance Instructions. The following categories are used:

Moderate: Engine is certified to be emission compliant for 125 hours of actual engine running time.

Intermediate: Engine is certified to be emission compliant for 250 hours of actual engine running time.

Extended: Engine is certified to be emission compliant for 500 hours of actual engine running time.

For example, a typical walk-behind lawn mower is used 20 to 25 hours per year. Therefore, the **Emissions Durability Period** of an engine with an **intermediate** rating would equate to 10 to 12 years.

The **Air Index** is a calculated number describing the relative level of emissions for a specific engine family. The lower the **Air Index**, the cleaner the engine. This information is displayed in graphical form on the emissions label.

After July 1, 2000, Look For Emissions Compliance Period On Engine Emissions Compliance Label

After July 1, 2000 certain Sears, Roebuck and Co., U.S.A. engines will be certified to meet the United States Environmental Protection Agency (USEPA) Phase 2 emission standards. For Phase 2 certified engines, the Emissions Compliance Period referred to on the Emissions Compliance label indicates the number of operating hours for which the engine has been shown to meet Federal emission requirements. For engines less than 225 cc displacement, Category C = 125 hours, B = 250 hours and A = 500 hours. For engines of 225 cc or more, Category C = 250 hours, B = 500 hours and A = 1000 hours.

The displacement engines of Model Series 210000 is 344 cc, 280000 is 465 cc, 310000 engines is 501 cc.

NOTES

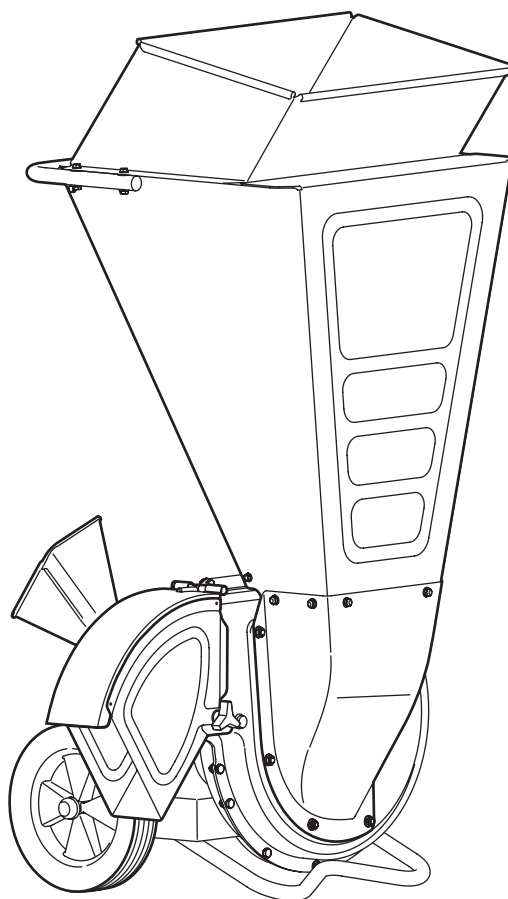
Manual del operador

CRAFTSMAN

7.5 caballos de fuerza

CORTADORA TRITURADORA

Número de modelo 247.776360



PRECAUCIÓN: antes de utilizar este producto, lea este manual y siga todas las reglas de seguridad y las instrucciones de operación.

- SEGURIDAD
- ENSAMBLADO
- OPERACIÓN
- MANTENIMIENTO
- LISTADO DE PIEZAS

Sears, Roebuck and Co., Hoffman Estates, IL 60179, U.S.A.

Visite nuestro sitio web: www.sears.com/craftsman

N° DE FORMULARIO 769-02543

05/24/2006

ÍNDICE

Declaración de garantía	Página 22	Almacenamiento fuera de temporada.....	Página 32
Prácticas de operación seguras.....	Páginas 23-24	Solución de problemas.....	Página 33
Ensamblado.....	Página 26-27	Lista de piezas.....	Página 34-37
Funcionamiento	Páginas 28-29	Números de servicio.....	Cubierta posterior
Mantenimiento.....	Páginas 30-31		

DECLARACIÓN DE GARANTÍA

Garantía de dos años para la cortadora trituradora Craftsman

Durante dos años a partir de la fecha de compra, siempre que a esta cortadora trituradora se le realice el servicio de mantenimiento, lubricación y puesta a punto de acuerdo a las instrucciones del manual del propietario, Sears reparará sin cargo cualquier defecto de materiales o mano de obra. Si esta cortadora trituradora Craftsman se utiliza para propósitos comerciales o de alquiler, esta garantía se aplica sólo durante 30 días a partir de la fecha de compra.

Esta garantía no cubre:

- Elementos desechables que se desgastan por el uso normal, incluyendo entre otros, bujías, cuchillas y filtros de aire.
- Reparaciones necesarias debido a abuso o negligencia del operador, incluyendo abolladura del cigüeñal y falla por no realizar mantenimiento del equipo de acuerdo con las instrucciones contenidas en el manual del propietario.

EL SERVICIO DE GARANTÍA ESTÁ DISPONIBLE PARA LOS USUARIOS QUE LLEVEN LA CORTADORA TRITURADORA AL CENTRO DE PIEZAS Y REPARACIONES DE SEARS MÁS CERCANO DENTRO DE LOS ESTADOS UNIDOS.

Esta garantía es válida únicamente mientras el producto se utilice dentro de los Estados Unidos.

PARA UBICAR AL CENTRO DE SERVICIO TÉCNICO SEARS MÁS CERCANO O PARA PROGRAMAR EL SERVICIO TÉCNICO, SIMPLEMENTE CONTACTE A SEARS AL 1-800-4-MY-HOME@.

Esta garantía le otorga derechos legales específicos; usted también puede tener otros derechos, los cuales varían de un estado a otro.

SEARS, ROEBUCK AND CO., D/817WA, HOFFMAN ESTATES, IL 60179

Acuerdos de protección sobre reparaciones

Felicitaciones por haber realizado una adquisición inteligente. El producto Craftsman® que ha adquirido está diseñado y fabricado para brindar muchos años de funcionamiento confiable. Pero como todos los productos a veces puede requerir de reparaciones. Es en ese momento cuando el disponer de un Acuerdo de protección para reparaciones le puede ahorrar dinero y problemas.

A continuación se detallan los puntos incluidos en el Acuerdo:

- Servicio experto prestado por nuestros 12.000 especialistas en reparaciones profesionales
- Servicio ilimitado sin cargo para las piezas y la mano de obra en todas las reparaciones cubiertas
- Reemplazo del producto si no es posible reparar el producto cubierto
- Descuento de 10% del precio normal del servicio y de las piezas relacionadas con el mismo que no estén cubiertas por el acuerdo; además, 10% de descuento del precio normal de la verificación de mantenimiento preventivo
- Ayuda rápida por teléfono – asistencia telefónica a cargo de un técnico de Sears para los productos que requieren reparación a domicilio, además de una programación conveniente para la reparación

Adquiera ahora un acuerdo de protección para reparaciones y protéjase de problemas y gastos inesperados.

Una vez adquirido el acuerdo, puede programar el servicio con tan sólo realizar una llamada telefónica. Puede llamar en cualquier momento del día o de la noche, o programar un servicio en línea. Sears dispone de más de 12.000 especialistas en reparaciones profesionales que tienen acceso a más de 4.5 millones de piezas y accesorios de gran calidad. Este es el tipo de profesionalismo en el que puede confiar para que le ayude a prolongar la vida útil del producto recientemente adquirido en los años por venir. ¡Adquiera hoy su acuerdo de protección para reparaciones!

Se aplican determinadas limitaciones y exclusiones. Para obtener precios e información adicional llame al 1-800-827-6655.

Servicio de instalación de Sears

Para la instalación profesional de Sears de artefactos domésticos, dispositivos de apertura de portones de garage, calentadores de agua y otros artículos del hogar en los Estados Unidos, llame al 1-800-4-MY-HOME@

ESPECIFICACIONES DEL PRODUCTO

Caballos de fuerza	7.5 caballos de fuerza
Aceite del motor:	SAE 30
Capacidad de aceite:	20 Onzas
Combustible:	Gasolina sin plomo
Bujía de encendido:	Champion® RC-12YC
Motor:	Briggs and Stratton 150112-0408

NÚMERO DE MODELO

Número de modelo

Número de serie.....

Fecha de compra

Registre el número de modelo, número de serie y fecha de compra más arriba

PRÁCTICAS DE OPERACIÓN SEGURAS



ADVERTENCIA: El escape del motor de este producto, algunos de sus componentes y algunos componentes del vehículo contienen o emiten productos químicos que el estado de California considera que pueden producir cáncer, defectos de nacimiento u otros problemas reproductivos.

PELIGRO: Esta máquina está diseñada para ser utilizada respetando las reglas de seguridad contenidas en este manual. Al igual que con cualquier tipo de equipo motorizado, un descuido o error por parte del operador puede producir lesiones graves. Esta máquina es capaz de amputar manos y pies y de arrojar objetos con gran fuerza. De no respetar las instrucciones de seguridad siguientes se pueden producir lesiones graves o la muerte.



ADVERTENCIA: La presencia de este símbolo indica que se trata de instrucciones importantes de seguridad que debe respetar para evitar poner en riesgo su seguridad personal y/o material y la de otras personas. Lea y siga todas las instrucciones en este manual antes de iniciar la operación de esta máquina. En caso de no seguir estas instrucciones podría provocar lesiones personales. Cuando vea este símbolo **SIGA LA ADVERTENCIA.**

Capacitación

1. Lea, comprenda y respete todas las instrucciones que figuran en la máquina o en este(os) manual(es) antes de proceder al ensamblado y operación del equipo. Guarde este manual en un lugar seguro para consultas futuras y regulares, así como para solicitar repuestos.
2. Familiarícese con todos los controles y con el uso adecuado de los mismos. Sepa cómo detener la máquina y cómo desengranar los controles rápidamente.
3. Nunca permita que niños menores de 16 años operen esta máquina. Los niños de 16 años y mayores deben leer y comprender las instrucciones de operación y las reglas de seguridad contenidas en este manual, y también deben ser capacitados y estar supervisados por uno de los padres.
4. Nunca permita que adultos sin los conocimientos adecuados acerca de la máquina la operen.
5. Mantenga a los observadores, ayudantes, mascotas y a los niños por lo menos a 22,9 m. (75 pies) de la máquina mientras la misma está en funcionamiento. Detenga la máquina si alguien entra en la zona.
6. Nunca encienda un motor en espacios cerrados o en una zona con poca ventilación. El escape del motor contiene monóxido de carbono, un gas inodoro y letal.
7. No ponga las manos o los pies cerca de las piezas rotatorias o en las cámaras de alimentación ni en la abertura de descarga. El contacto con el motor rotatorio puede producir la amputación de dedos, manos o pies.
8. Nunca trate de destapar la toma de alimentación o la abertura de descarga, ni trate de sacar o vaciar la bolsa de la aspiradora, ni de revisar y reparar la máquina mientras el motor está en marcha. Apague el motor y espere hasta que todas las piezas móviles se hayan detenido por completo. Desconecte el cable de la bujía y póngalo de manera que haga masa contra el motor.

Preparativos

1. Revise minuciosamente la zona donde se utilizará el equipo. Retire todas las piedras, botellas, latas u otros objetos extraños que puedan ser levantados o arrojados causando lesiones personales o daños a la máquina.
2. Para protegerse los ojos utilice siempre anteojos o antiparras de seguridad mientras opera la máquina o mientras la ajusta o repara. Los objetos arrojados que rebotan pueden lesionar gravemente la vista.
3. Utilice zapatos de trabajo resistentes, de suela fuerte, y pantalones y camisas ajustados. Las prendas sueltas o las alhajas pueden quedar atrapadas en las piezas móviles. Nunca utilice la máquina descalzo o con sandalias. Utilice guantes de trabajo de cuero cuando alimente material por el canal de la cortadora.
4. Antes de encender la máquina controle que todos los pernos y tornillos estén bien ajustados para comprobar que la máquina se encuentra en condiciones seguras de operación. Además, realice una inspección visual de la máquina a intervalos frecuentes para controlar si la misma está dañada.
5. Mantenga o reemplace las etiquetas de seguridad e instrucciones según sea necesario.
6. Sea sumamente cuidadoso al manipular la gasolina para evitar lesiones o daños. La gasolina es altamente inflamable y sus vapores pueden causar explosiones. Se puede lesionar gravemente si derrama gasolina sobre usted o sobre la ropa ya que se puede encender. Lávese la piel y cámbiese de ropa de inmediato.
 - a. Utilice sólo recipientes para gasolina autorizados.
 - b. Apague todos los cigarrillos, cigarros, pipas y otras fuentes de combustión.
 - c. Nunca cargue combustible en la máquina en un espacio cerrado.
 - d. Nunca saque la tapa de la gasolina ni agregue combustible mientras el motor está caliente o en marcha.
 - e. Deje que el motor se enfríe por lo menos dos minutos antes de volver a cargar combustible.
 - f. Nunca recargue el tanque de combustible en exceso. Llene el tanque no más de 1/2 pulgada por debajo de la base del cuello del filtro para dejar espacio para la dilatación del combustible.
 - g. Vuelva a colocar la tapa de la gasolina y ajústela bien.
 - h. Limpie la gasolina derramada sobre el motor y el equipo. Traslade la máquina a otra zona. Espere 5 minutos antes de encender el motor.
 - i. Nunca almacene la máquina o el recipiente de combustible en un espacio cerrado donde haya fuego, chispas o luz piloto (por ejemplo, hornos, calentadores de agua, calefactores, secadores de ropa, etc.)
 - j. Para reducir el riesgo de incendio mantenga la máquina limpia de pasto, hojas y de acumulación de otros desechos. Limpie los derrames de aceite o combustible y saque todos los desechos embebidos con combustible.
 - K. Deje que la máquina se enfríe por lo menos 5 minutos antes de guardarla.

PRÁCTICAS DE OPERACIÓN SEGURAS

Funcionamiento

1. No ponga las manos o los pies cerca de las piezas rotatorias o en las cámaras de alimentación ni en la abertura de descarga. El contacto con el motor rotatorio puede producir la amputación de dedos, manos o pies.
2. Antes de encender la máquina compruebe que el canal de la cortadora, la toma de alimentación y la cámara de corte están vacías y sin desechos.
3. Inspeccione minuciosamente todo el material que desea triturar y saque los objetos metálicos, piedras, botellas, latas u otros objetos extraños que pueden ocasionar lesiones o dañar la máquina.
4. Si el motor golpea un objeto extraño o si la máquina empieza a producir un sonido poco común o una vibración, apague el motor de inmediato. Deje que el motor se detenga por completo. Desconecte el cable de la bujía, póngalo de manera que haga masa contra el motor y siga estos pasos:
 - a. Inspeccione la máquina para ver si está dañada.
 - b. Repare o reemplace las piezas dañadas.
 - c. Controle si hay piezas flojas y ajústelas para asegurar que la máquina funcione de manera segura y continua.
5. No permita que se acumule material procesado en la zona de descarga. El mismo puede obstaculizar la descarga adecuada y provocar el retorno del material a través de la abertura de alimentación.
6. No intente triturar ni picar material de mayor tamaño al especificado en la máquina o en este manual. Se podrían producir lesiones o daños.
7. Nunca trate de destapar la toma de alimentación o la abertura de descarga mientras el motor está en marcha. Apague el motor y espere hasta que todas las piezas que se mueven se hayan detenido por completo, desconecte el cable de la bujía y póngalo de manera que haga masa contra el motor antes de sacar los escombros.
8. Nunca opere la máquina sin que la bolsa de la aspiradora y el canal de descarga estén conectados a la máquina como corresponde. Nunca vacíe ni cambie la bolsa de la aspiradora mientras el motor está en marcha. El extremo con cierre de la bolsa de la aspiradora debe quedar cerrado todo el tiempo mientras la opera.
9. Nunca opere la máquina si el pico de ingreso o la unión opcional para la manguera no están conectados a la máquina adecuadamente. Nunca intente conectar o cambiar ninguna de estas uniones mientras el motor está en marcha.
10. Mantenga todos los protectores, desviadores y dispositivos de seguridad en su lugar y en buenas condiciones.
11. Mientras alimenta material dentro de la máquina mantenga su rostro y su cuerpo detrás y hacia un costado del canal de la cortadora para evitar lesiones por retrocesos accidentales.
12. Nunca opere esta máquina si no tiene buena visibilidad o iluminación. Siempre debe estar seguro de que está bien afirmado y sostenga bien las manijas.
13. No opere esta máquina en superficies con grava.
14. No opere esta máquina estando bajo los efectos del alcohol o de drogas.
15. El silenciador y el motor se calientan y pueden producir quemaduras. No los toque.
16. Nunca levante o transporte la máquina cuando está en movimiento.

Mantenimiento y almacenamiento

1. Nunca altere los dispositivos de seguridad. Controle periódicamente que funcionen de forma adecuada.
2. Verifique frecuentemente que los pernos y tornillos estén ajustados correctamente para asegurarse de que la máquina esté trabajando de manera segura. Además, realice una inspección visual de la máquina para controlar si la misma está dañada y repárela de ser necesario.
3. Antes de limpiar, reparar o inspeccionar la máquina, detenga el motor y compruebe que el mismo y que todas las piezas móviles se hallan detenidos. Desconecte el cable de la bujía y póngalo de manera que haga masa contra el motor para evitar que se encienda de manera accidental.
4. No cambie la configuración del regulador del motor ni acelere demasiado el mismo. El regulador controla la velocidad máxima segura de operación del motor.
5. Mantenga o reemplace las etiquetas de seguridad e instrucciones según sea necesario.
6. Siga las instrucciones de este manual para que la carga, descarga, transporte y almacenamiento de esta máquina sean seguros.
7. Nunca almacene la máquina o el recipiente de combustible en un espacio cerrado donde haya fuego, chispas o luz piloto como por ejemplo, calentadores de agua, hornos, secadores de ropa, etc.
8. Consulte siempre el manual de operación para las instrucciones adecuadas para el almacenamiento fuera de temporada.
9. Si es necesario evacuar el tanque de combustible, hágalo en exteriores.
10. Respete las leyes y reglamentaciones referentes a la disposición correcta de combustible, aceite, etc. para proteger el medio ambiente.

No modifique el motor

Para evitar lesiones graves o la muerte, no modifique el motor bajo ninguna circunstancia. Si cambia la configuración del regulador el motor puede descontrolarse y operar a velocidades inseguras. Nunca cambie la configuración de fábrica del regulador del motor.

Aviso referido a emisiones

Los motores que están certificados y cumplen con las regulaciones de emisiones federales EPA y de California para SORE (Equipos Small Off Road Equipment) están certificados para operar con gasolina común sin plomo y pueden incluir los siguientes sistemas de control de emisiones: Modificación de motor (EM) y catalizador de tres vías (TWC) si está equipado de esa manera.

Su responsabilidad

Restrinja el uso de esta máquina eléctrica a personas que lean, comprendan y respeten las advertencias e instrucciones que aparecen en ese manual y en la máquina.

Busque el período de duración de emisiones importantes y la información de clasificación de aire en la etiqueta de emisiones de su motor

Los motores cuyo cumplimiento con los estándares de emisión Tier 2 de la Comisión de Recursos Ambientales de California (CARB) esté certificado deben exhibir la información relacionada con el período de duración de las emisiones y la clasificación de aire. Sears, Roebuck and Co., de los Estados Unidos ponen esta información a disposición del consumidor en nuestras etiquetas de emisiones.

El Período de Duración de las Emisiones describe el número de horas de tiempo real de funcionamiento para el cual se certifica que el motor cumple con las reglas de emisión, descontando el mantenimiento adecuado del mismo según las instrucciones de operación y mantenimiento. Se utilizan las siguientes categorías:

Moderado: Se certifica que el motor cumple con las reglas de emisión durante 125 horas de tiempo real de funcionamiento del motor.

Inmediato: Se certifica que el motor cumple con las reglas de emisión durante 250 horas de tiempo real de funcionamiento del motor.

Extendido: Se certifica que el motor cumple con las reglas de emisión durante 500 horas de tiempo real de funcionamiento del motor.

Por ejemplo, una cortadora de césped típica que se empuja desde atrás se usa entre 20 y 25 horas por año. Por lo tanto, el **Período de Duración de Emisiones** de un motor con una **clasificación intermedia** sería equivalente a entre 10 y 12 años.

La **clasificación de aire** es un número calculado para describir el nivel relativo de emisiones para un grupo de motores en particular. Cuanto menor sea la **clasificación de aire**, mayor es la limpieza del motor. La información se presenta de forma gráfica en la etiqueta de emisiones.

Después del 1 de julio de 2000, busque el período de cumplimiento de las reglas de emisiones en la etiqueta de cumplimiento de las reglas de emisiones del motor

Después del 1 de julio de 2000 se certificará que determinados motores Sears, Roebuck and Co., de los Estados Unidos cumplen con los estándares de emisiones de la fase 2 de la Agencia de Protección Ambiental de los Estados Unidos (USEPA). Para los motores certificados para la etapa 2, el período de cumplimiento con las reglas de emisiones al cual se hace referencia en la etiqueta de cumplimiento con las reglas de emisiones indica el número de horas de funcionamiento para el cual se ha demostrado que el motor cumple con los requerimientos federales de emisión.

Para los motores con desplazamiento inferior a 225 cc, Categoría C = 125 horas, B = 250 horas y A = 500 horas.

Para los motores con desplazamiento de 225 cc o más, Categoría C = 250 horas, B = 500 horas y A = 1000 horas.

El desplazamiento de los motores de la serie modelo 150112 es 249 cc.

La presente es una representación genérica de la etiqueta de emisión que se encuentra generalmente en un motor certificado.



ENSAMBLADO

IMPORTANTE: Esta unidad es enviada sin gasolina ni aceite en el motor. Después del montaje, consulte la sección de **FUNCIONAMIENTO** para el correcto llenado de combustible y aceite del motor.

Esta cortadora trituradora ha sido montada totalmente en la fábrica, excepto por la bolsa de recolección de desechos, la cual se guarda dentro del canal de la cortadora para su envío.

Extracción de la unidad de la caja

1. Saque las grapas, rompa el pegamento de las aletas superiores o corte la cinta del extremo de la caja y tire a lo largo de la aleta superior para abrir la caja.
2. Saque todas las piezas sueltas.
3. Corte a lo largo de los bordes de la caja y aplánela.
4. Quite el material de empaque, en caso de existir. Levante la unidad de la parte posterior y deseche la almohadilla de la base, si está presente. Deslice la unidad hasta sacarla de la caja de cartón. Inspeccione minuciosamente la caja para detectar si hay piezas sueltas.

Piezas sueltas dentro de la caja

- a. Una bolsa de recolección de desechos
- b. Un par de gafas de seguridad
- c. Una botella de 20 oz. de aceite para motor
- d. Un Manual del operador

Colocación de la bolsa de recolección de desechos

2. Para adosar la bolsa:
 - a. Coloque la abertura de la bolsa completamente sobre el deflector del canal.
 - b. Coloque la bolsa de manera que se cubran completamente las perillas mariposa que aseguran el deflector del canal a la caja del motor.
 - c. Tire de la tira de extracción hasta que la bolsa quede ajustada alrededor de la abertura del deflector del canal. Vea la Figura 1.

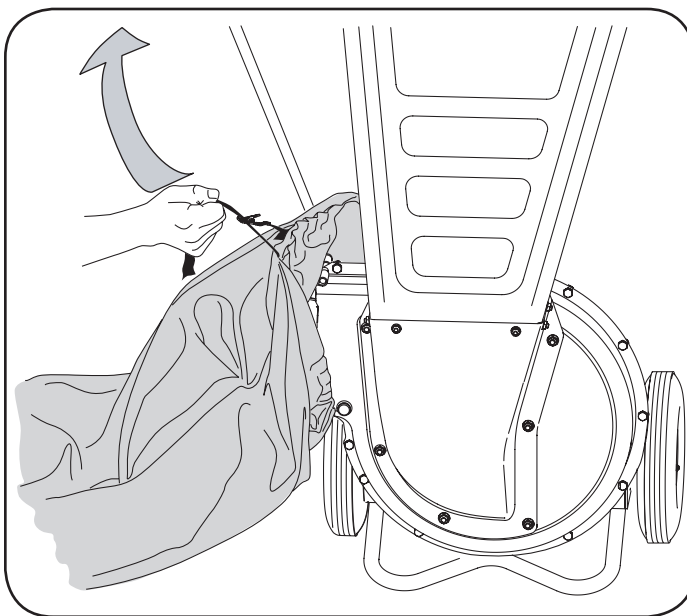
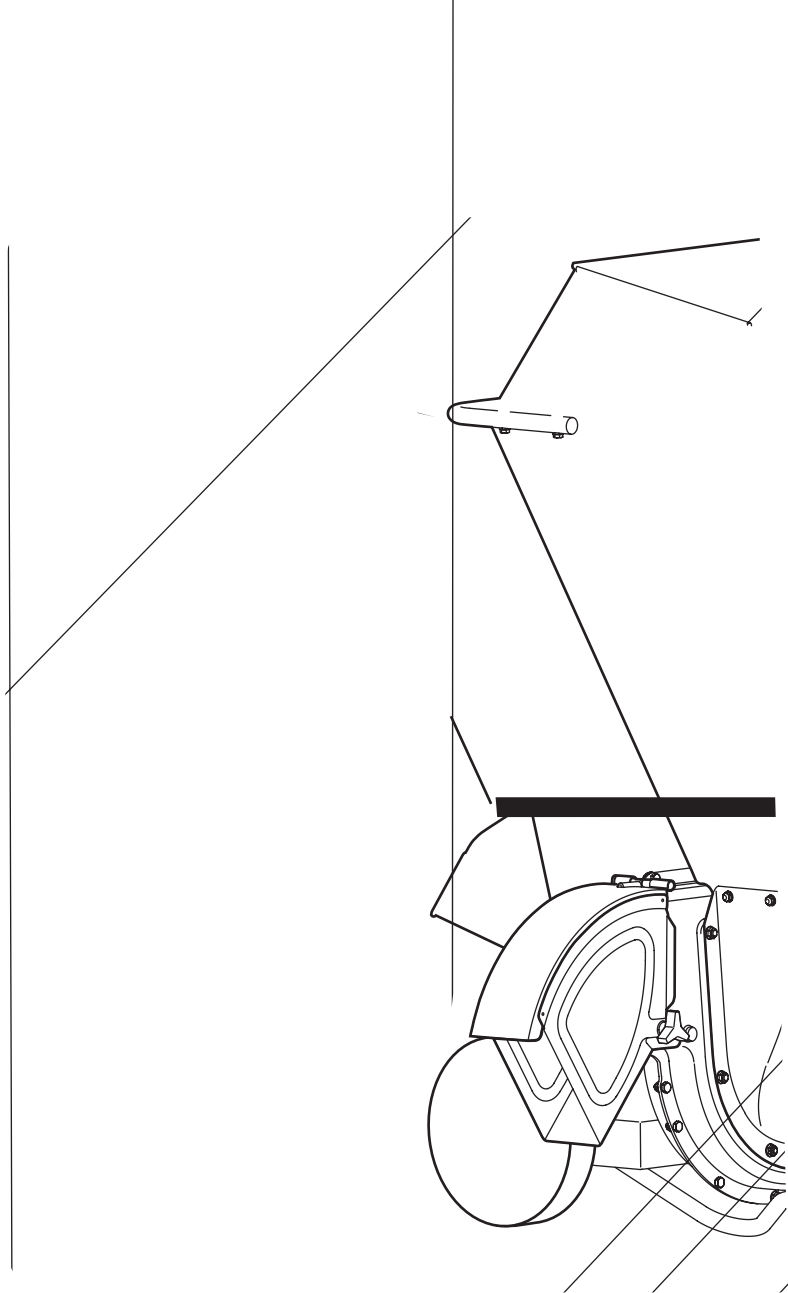


Figura 1



OPERACIÓN



ADVERTENCIA: Al operar una cortadora trituradora puede ser que objetos extraños sean arrojados a los ojos lo cual puede dañarlos gravemente. Utilice siempre los anteojos de seguridad provistos con esta unidad o protectores para ojos antes de picar o triturar el material o mientras realiza ajustes o reparaciones.

Llenado de gasolina y aceite

Cargue el motor con gasolina y aceite como se indica en el manual de Briggs & Stratton, suministrado por separado que viene embalado con la cortadora trituradora. Lea cuidadosamente las instrucciones.



ADVERTENCIA: Nunca cargue el tanque de combustible en espacios cerrados con el motor en marcha o hasta que haya dejado que el mismo se enfríe por lo menos dos minutos después de haber estado en marcha.

Encendido del motor

1. Mueva la palanca de control de obturación a la posición CHOKE (obturación). Vea la Figura 5.

NOTA: Si el motor está tibio la obturación puede no ser necesaria.

2. Mueva la palanca de control del regulador a la posición FAST (rápido, representado por una liebre). Vea la Figura 5.
3. Tome la manija del arrancador y tire de la cuerda hacia afuera lentamente hasta que el motor alcance el comienzo del ciclo de compresión (la cuerda tirará un poco más fuerte en este punto).

NOTA: Es posible que se escuche un ruido "metálico" cuando tire de la cuerda de arranque. Es totalmente normal y NO significa que exista algún tipo de problema de funcionamiento.

4. Tire de la cuerda con un golpe de brazo rápido, total y continuo. Apriete bien la manija del arrancador. Deje que la cuerda se enrolle lentamente.
5. Repita los pasos anteriores hasta que el motor se encienda. Una vez encendido el motor mueva el control de obturación gradualmente hasta la posición RUN (en marcha) hasta que el motor funcione sin problemas.



ADVERTENCIA: Nunca encienda el motor en espacios cerrados o en una zona poco ventilada. El escape del motor contiene monóxido de carbono, un gas inodoro y letal.

Detención del motor

1. Mueva la palanca de control del regulador a la posición STOP (detención). Vea la Figura 6.

NOTA: Si desea instrucciones más detalladas consulte el manual del motor embalado junto con la unidad.



PRECAUCIÓN: Nunca detenga el motor moviendo la palanca de obturación hasta la posición CHOKE (obturación). Se pueden producir explosiones al carburador, incendios o daños al motor.

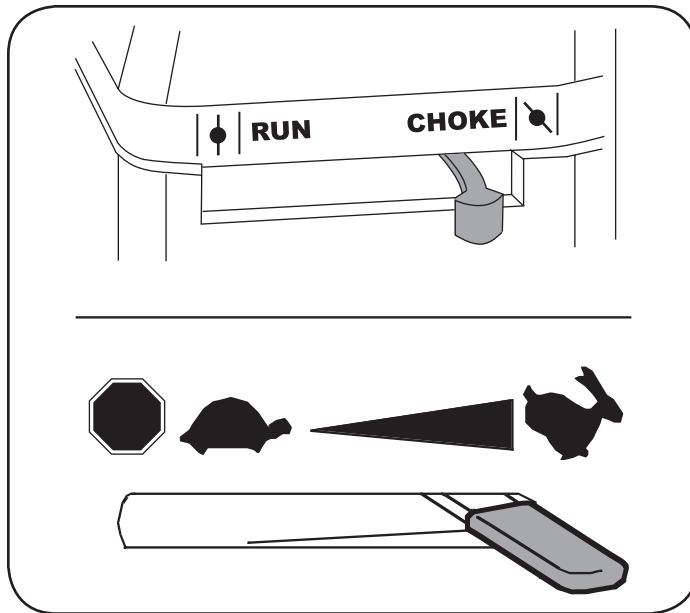


Figura 5

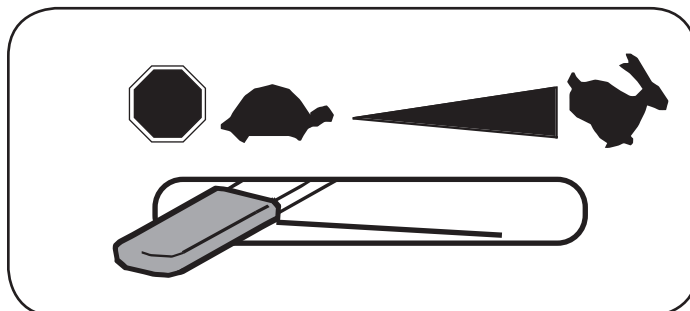


Figura 6

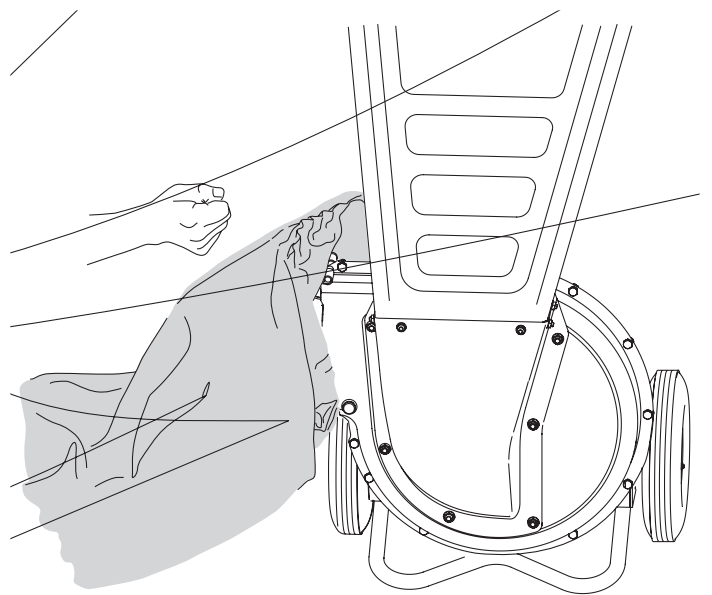


Figura 7

MANTENIMIENTO



ADVERTENCIA: Detenga siempre el motor, desconecte la bujía y haga masa contra el motor antes de limpiar, lubricar o hacer llevar a cabo cualquier clase de mantenimiento en su máquina.

Lubricación

1. Lubrique la bisagra del canal de la cortadora con un aceite ligero una vez por temporada.
2. Lubrique los puntos de pivote del deflector del canal con un aceite ligero una vez por temporada.
3. Consulte el manual del propietario/operador de Briggs & Stratton que viene embalado con su unidad para ver las instrucciones de lubricación del motor.

Cuidados para el motor

Consulte la sección de Mantenimiento del manual del propietario/operador de Briggs & Stratton que viene embalado con su unidad. Lea y siga las instrucciones cuidadosamente.

1. Verifique el nivel de aceite del motor antes de cada uso como se indica en el manual del motor que se suministra por separado.
2. Limpie el prefiltro del filtro de aire cada 25 horas en condiciones normales de uso. Limpie a intervalos de pocas horas cuando haya mucho polvo. Reemplace el cartucho del filtro de aire una vez por temporada. Para realizar el mantenimiento del filtro de aire, consulte el manual del motor que se suministra por separado.
3. La bujía debe limpiarse y se debe reponer la distancia disruptiva una vez por temporada. Consulte el manual del motor que se suministra por separado para obtener especificaciones sobre el tipo de bujía y la distancia disruptiva adecuada.

Cuidado de la cortadora trituradora

Antes de cada uso, inspeccione visualmente la cortadora trituradora para detectar si hay tuercas o pernos sueltos (o que falten). Ajuste con firmeza (o reemplace) todos los elementos de ferretería antes de operar la cortadora trituradora.

Limpieza del canal de reducción



ADVERTENCIA: Las cuchillas de trituración y de corte del motor están afiladas. Use guantes de trabajo de cuero para protegerse las manos cuando limpie la cámara de reducción.

Si la cámara de reducción se tapa con desechos, la criba de desgranado se puede girar hacia arriba para que pueda limpiar la zona circundante. Para hacerlo proceda de la siguiente manera:

1. Detenga el motor, desconecte la bujía y compruebe que la cortadora trituradora se haya detenido por completo.



ADVERTENCIA: El silenciador y la zona circundante están calientes si el motor ha estado en funcionamiento. Sea precavido y protéjase las manos si trabaja cerca del silenciador.

2. a. Si está instalada, retire la bolsa de desechos. Saque las dos perillas a mariposa de ambos lados del deflector del canal y gire el mismo hacia arriba. Vea la Figura 8.
b. Saque el broche de horquilla de la chaveta que se extiende a través de la caja del motor y de la criba de la trituradora. Vea la Figura 8. Saque la chaveta de horquilla.
c. Gire la criba de desgranado hacia arriba y limpie la zona circundante sacando todos los desechos mediante raspado.
3. Confirme que el cable de la bujía esté desconectado y lejos de la misma. Tire de la cuerda del arrancador entre dos y tres veces para purgar todos los desechos restantes de la cámara de reducción

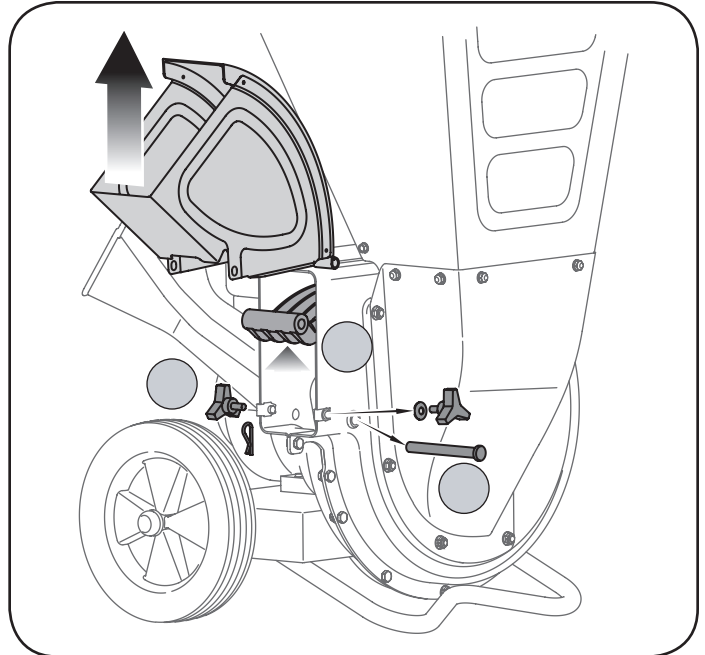


Figura 8

4. Cuando la zona está limpia, gire la criba de desgranado hacia abajo y vuelva a ajustarla con la chaveta de horquilla y el broche de horquilla que sacó anteriormente.
5. Vuelva a colocar la bolsa de recolección de desechos en el deflector del canal, si lo desea.

Afilado o recambio de las cuchillas de la cortadora



ADVERTENCIA: Las cuchillas de la cortadora del motor están afiladas. Utilice guantes de trabajo de cuero para protegerse las manos.

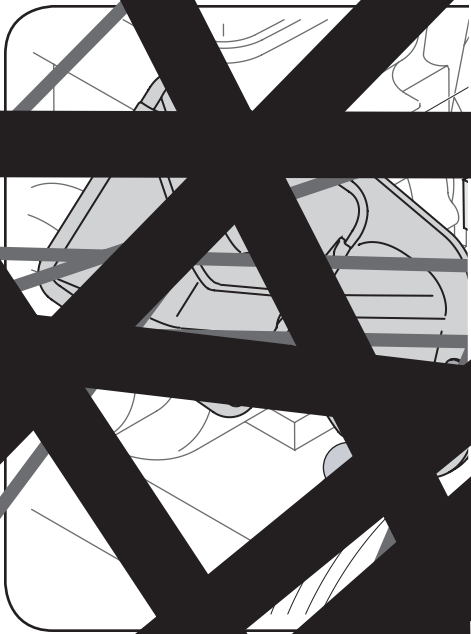
1. Detenga el motor, desconecte la bujía y compruebe que la cortadora trituradora se haya detenido por completo.
2. Gire la criba de desgranado hacia arriba como se indica bajo el título Limpieza de la Cámara de Reducción.
3. a. Para sacar el canal de la cortadora saque las tres tuercas hexagonales y las arandelas que lo aseguran a la caja del motor. Vea la Figura 9.
 - Gire el montaje del motor manualmente hasta que una de las dos cuchillas de la cortadora sea visible a través de la abertura de la caja del motor.b. Para sacar la cuchilla saque los tornillos hexagonales internos, las arandelas de seguridad y las tuercas hexagonales que la sujetan al motor.

NOTA: Use una llave hexagonal de 3/16" (Allen) en el exterior de la cuchilla y una llave de tubo de 1/2" (o cubo) en el interior del motor. Sostenga la llave Allen quieta y gire la llave de tubo (o cubo) para aflojar la tuerca.

4. Coloque una cuchilla de repuesto (o afilada) (Número de pieza 742-0544) con los elementos de ferretería que extrajo anteriormente.

IMPORTANTE:: Si afila la cuchilla, protéjase las manos utilizando guantes. Siga el ángulo original de molido y asegúrese de extraer una cantidad igual de cada cuchilla.

5. Para reemplazar la otra cuchilla, gire el motor para exponer la segunda cuchilla y repita los pasos anteriores.



Compruebe que las cuchillas estén
correctamente alineadas hacia el c
de las cuchillas. Verifique que se
con una

Afilado de la cuchilla de la trituradora

te

motor y el sistema de ferre

9. Retire la tapa de desgranado y la cuchilla de
la cámara de limpieza de la Cámara de Producción.

4. a. Saque las seis tuercas con las que se sujetan
el interior de la tolva a la caja del motor. Vea la
Figura 10.
- Separe con cuidado el montaje de la tolva de la
caja del motor y póngalo a un lado.

Coloque un trozo de madera dentro de la tolva
debajo del deflector del canal para estabilizar el motor.

El motor no gire cuando saque la cuchilla de la trituradora.

Después de quitar los tornillos hexagonales internos, la
cuchilla de la trituradora. Retire los tornillos hexagonales y arandelas de seguridad
de la tolva al motor. Vea la Figura 11.

NOTA: Use una llave hexagonal de 16" (Allen) en el exterior
de la cuchilla de la trituradora y una llave hexagonal de 16"
en el interior de la cuchilla de la trituradora. Vea la Figura 11.
Allen quieto.

Después de quitar el tornillo hexagonal, la arandela de seguridad
y la arandela plana para liberar totalmente la cuchilla de la
trituradora. Vea la Figura 11.

ALMACENAMIENTO FUERA DE TEMPORADA

Prepare la cortadora trituradora Craftsman para su almacenamiento al finalizar la temporada, o si no va a utilizar la unidad durante 30 días o más. Un buen método para asegurar que la unidad funcione adecuadamente la siguiente temporada es llevarla para que su centro local de piezas y reparaciones Sears le realice una inspección anual.

Cortadora trituradora

- Limpie el equipo por completo.
- Limpie el equipo con un trapo con aceite para evitar que se oxide. Utilice un aceite ligero o silicona para limpiar.
- Almacene la unidad en una zona limpia y seca. No la almacene cerca de materiales corrosivos como por ejemplo fertilizantes.

Motor

- Realice el mantenimiento al motor como se indica en el manual del motor de Briggs & Stratton suministrado por separado y que viene embalado junto con su cortadora trituradora.

Otros

- No almacene gasolina de una temporada a la otra.
- Reemplace el recipiente de gasolina si comienza a oxidarse. La presencia de óxido o polvo en la gasolina causa problemas.
- Almacene la unidad en una zona limpia y seca. No la almacene cerca de materiales corrosivos como por ejemplo fertilizantes.

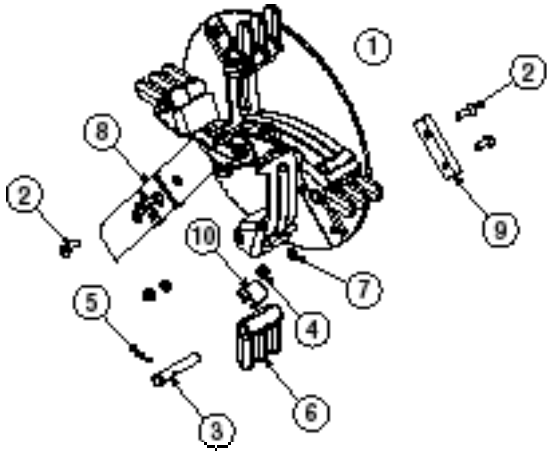
NOTA: Si la almacena en un galpón de depósito mal ventilado o metálico, asegúrese de realizarle un tratamiento anti-oxidante al equipo cubriéndolo con aceite ligero o silicona.

SOLUCIÓN DE PROBLEMAS

Problema	Causa	Remedio
El motor no arranca	<ol style="list-style-type: none"> 1. La palanca de control del estrangulador no está en la posición de arranque correcta (si viene equipada). 2. Se ha desconectado el cable de la bujía. 3. Obturación no está en la posición OBTURACIÓN (si viene equipada). 4. El tanque de combustible está vacío o el combustible es viejo. 5. El motor no se ceba (si está equipado). 6. La bujía no funciona correctamente. 7. La línea del combustible está bloqueada. 8. Motor inundado. 	<ol style="list-style-type: none"> 1. Mueva la palanca del regulador a la posición FAST (rápido) o START (inicio). 2. Conecte el cable a la bujía. 3. Cambie la palanca de obturación a la posición CHOKE (obturación). 4. Llene el tanque con gasolina limpia y nueva. 5. Utilice el cebador del motor como se explica en el manual del motor. 6. Limpie, ajuste la distancia o cámbiela. 7. Limpie la línea del combustible. 8. Espere unos minutos para reencender, no realice el cebado.
El motor funciona de manera errática	<ol style="list-style-type: none"> 1. Se ha desconectado el cable de la bujía. 2. La unidad funciona en OBTURACIÓN (si viene equipada). 3. La línea del combustible está bloqueada o el combustible es viejo. 4. La ventilación en la tapa del combustible está obstruida. 5. Agua o suciedad en el sistema de combustible. 6. El filtro de aire está sucio. 7. Es necesario ajustar el carburador. 	<ol style="list-style-type: none"> 1. Conecte y ajuste el cable de la bujía 2. Cambie la palanca de obturación a la posición OFF (apagado). 3. Limpie la línea del combustible; llene el tanque con gasolina limpia y nueva. 4. Destape la ventilación. 5. Vacíe el tanque de combustible. Vuelva a llenar con combustible nuevo. 6. Consulte el manual del motor. 7. Consulte al distribuidor autorizado para el mantenimiento.
El motor recalienta	<ol style="list-style-type: none"> 1. El nivel de aceite del motor es bajo. 2. El filtro de aire está sucio. 3. El carburador no está ajustado correctamente. 	<ol style="list-style-type: none"> 1. Llene el cárter con aceite adecuado. 2. Consulte el manual del motor. 3. Consulte al distribuidor autorizado para el mantenimiento.
Saltos ocasionales a alta velocidad	<ol style="list-style-type: none"> 1. La distancia disruptiva de la bujía es muy pequeña. 2. Ajuste de la mezcla del carburador mal realizada. 	<ol style="list-style-type: none"> 1. Ajuste la distancia disruptiva a 0,76 mm (0,03 pulg). 2. Consulte al distribuidor autorizado para el mantenimiento.
Vibración Excesiva	<ol style="list-style-type: none"> 1. Hay partes que están flojas o el motor está dañado. 	<ol style="list-style-type: none"> 1. Consulte al distribuidor autorizado para el mantenimiento.
La unidad no descarga	<ol style="list-style-type: none"> 1. El deflector del canal está atascado. 2. Hay un objeto extraño en el motor. 3. RPM del motor bajas. 	<ol style="list-style-type: none"> 1. Detenga el motor de inmediato y desconecte el cable de la bujía. Limpie la criba de desgranado y el interior de la abertura de descarga. 2. Detenga el motor y desconecte el cable de la bujía. Saque el objeto extraño del motor. 3. Siempre accione el motor con el estrangulador al máximo.
La tasa de descarga se reduce de manera considerable o cambia la composición del material descargado	<ol style="list-style-type: none"> 1. RPM del motor bajas. 2. La cuchilla de la cortadora está desafilada. 	<ol style="list-style-type: none"> 1. Siempre accione el motor con el estrangulador al máximo. 2. Cambie la cuchilla de la cortadora o consulte al distribuidor autorizado para el mantenimiento.

LISTADO DE PIEZAS

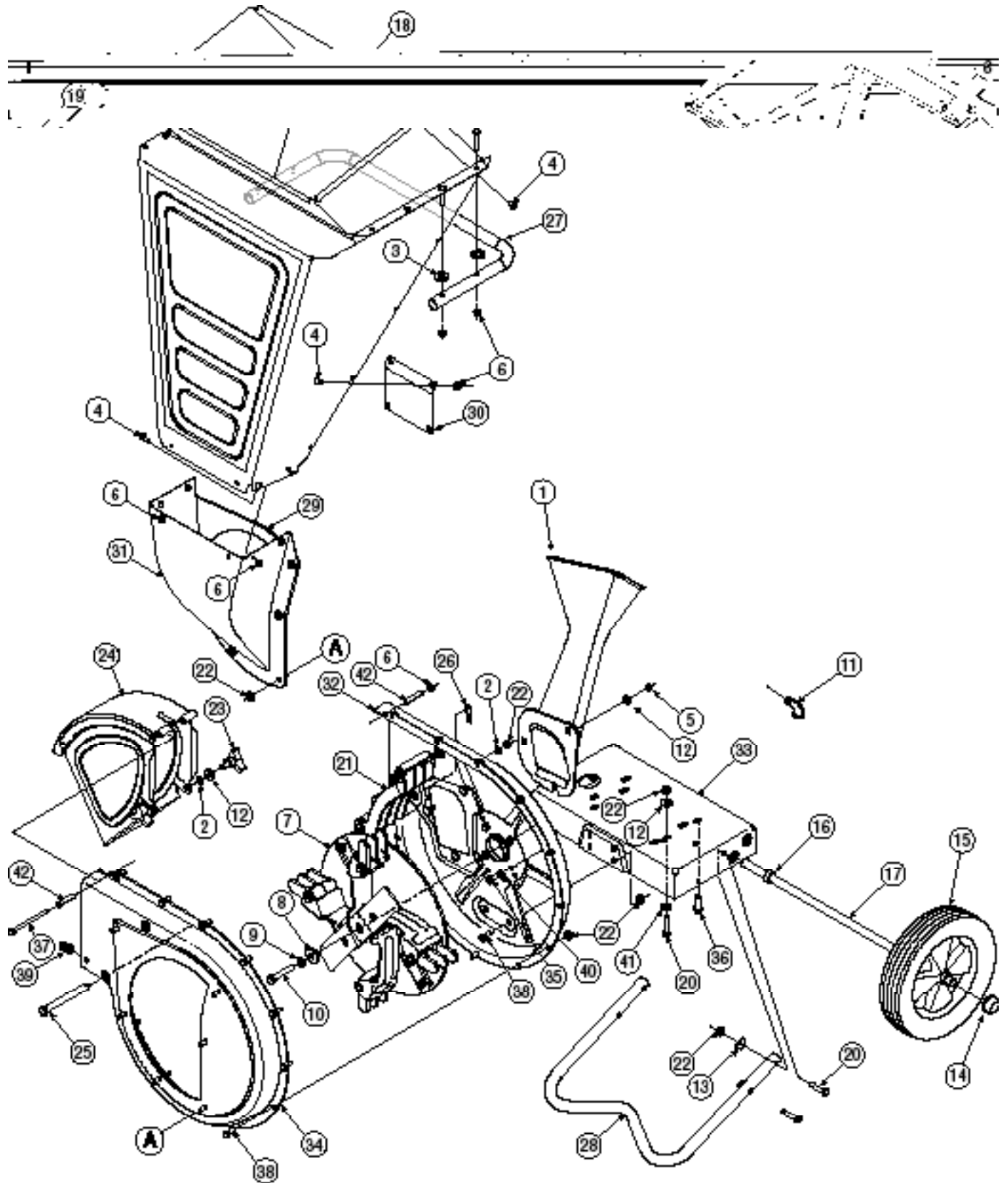
Cortadora Trituradora Sears Craftsman 7.5 HP, Modelo 247.776360



1	681-04009	Impeller Assembly Complete
2	710-1054	Machine Screw, 5/16-24 x 1.0
3	711-0833B	Clevis Pin,.496
4	712-0411	Hex Lock Nut, 5/16-24
5	715-0166	Spiral Pin,.156 x 1.0
6	719-0329	Flail
7	736-0119	Lock Washer, 5/16
8	742-04050	Shredder Blade
9	742-0544A	Chipper Blade
10	781-0735	Retainer Clip

LISTADO DE PIEZAS

Cortadora Trituradora Sears Craftsman 7.5 HP, Modelo 247.776360



LISTADO DE PIEZAS

Cortadora Trituradora Sears Craftsman 7.5 HP, Modelo 247.776360

1	681-0095	Montaje del canal de la cortadora	23	681-0048	Conjunto de perilla (Incl. ref.# 12 y 61)
2	726-0201	Tuerca de velocidad, .3125ID	24	681-0094	Montaje de deflector de canal
3	736-0173	Arandela plana, 28 x.74 x.063	25	711-0835	Chaveta de horquilla, .50 x 4.62
4	710-3013	Tornillo con cabeza hexagonal, 1/4-20 x.5	26	714-0149B	Pasador de chaveta interno
5	712-3010	Tuerca hexagonal, 5/16-18	27	749-04103	Manija de tolva
6	712-3027	Tuerca de seguridad hexagonal de 1/4-20	28	749-04104	Soporte de tubo
7	681-04009	Montaje del motor	29	781-04007	Placa de trituradora
		(Consulte la página 13 para las piezas motor)	30	781-04027	Ménsula de soporte de tolva
8	736-0247	Arandela plana,.406 x 1.25	31	781-04033	Guía de entrada
9	736-0217	Arandela de seguridad, 3/8	32	681-0117	Montaje del alojamiento de desgranado interno
10	710-1254	Tornillo con cabeza hexagonal, 3/8-24 x 2.2	33	681-0184	Montaje del marco
11	737-0195	Accesorio del codo	34	681-04002	Montaje del alojamiento de desgranado externo
12	736-0242	Arandela de campana .340 ID x.872 OD	35	710-0157	Tornillo con cabeza hexagonal, 5/16-24 x .75
13	736-0451	Arandela,.320 ID x.93 OD	36	710-0502A	Tornillo Sems TT 3/8-16 x 1.25
14	726-0214	Tapa a presión, 5/8	37	710-0825	Tornillo con cabeza hexagonal, 1/4-20 x 3.75
15	734-1600	Rueda 10 x 2.5	38	710-3025	Hex Cap Screw, 5/16-18 x.625
16	750-0786	Separador, .64 x .88 x .38	39	726-0211	Tuerca en U, 5/16-18
17	738-0813	Eje, 22.47"	40	736-0119	Arandela de seguridad, 5/16
18	681-04011	Montaje de tolva de trituradora	41	736-0170	Arandela de seguridad especial, 5/16
19	710-0809	Tornillo con cabeza hexagonal, 1/4-20 x 1.25	42	750-0793	Espaciador de bisagra, .265 x.380 x 1.66
20	710-0805	Tornillo con cabeza hexagonal, 5/16-18 x 1.50	—	664-04023	Bolsa de recolección de desechos (no se muestra)
21	719-04070	Pantalla de la trituradora	—	723-0400	Anteojos de seguridad
22	712-3004A	Tuerca de seguridad con reborde, 5/16-18			

LISTADO DE PIEZAS

Cortadora Trituradora Sears Craftsman 7.5 HP, Modelo 247.776360

⚠ DANGER

WARNING
 Do not pass material over a 1/2 inch diameter hole in the large conveyor hopper, because over 1/2 inch in diameter rocks or pieces in the chute chipper chute.
 Material less than 1/2 inch in diameter is not to be passed in operator's view to avoid slipping.

read the operator's manual (3) before start by any using tool. keep all knives and pieces in place and not use blades, keep screws, bolts, nuts, washers and long pins out of service. Hopper/chipper can be used a loader can be used in the height is running, avoid by cutting a hole in the chute or in the chute service personnel injury if contact, as well as being processed any accessories from the hopper or as shown that the chipper chute, using tool or some clothing may be passed on a road. Do not use the hopper.
 If the chipper chopper part is broken or damaged, it is the operator's responsibility to change it.

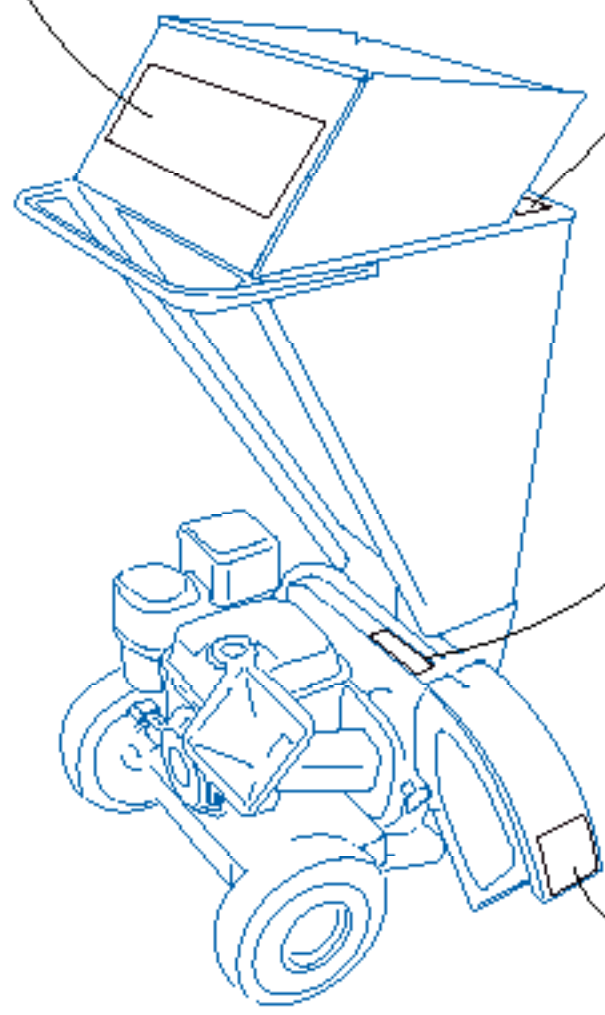
if engine is in excess of 1/2 inch hole in contact with the slope position or angle of road with a 1/2 inch hole in the chute, as less cutting.
 Do not install screws, bolts, washers or other parts in any other part of the engine or the hopper or the chipper chute.
 Do not operate on uneven ground or slope with the machine.
 Do not operate with chipper chute in open area if equipped. Do not use it for storage area. Avoid any hole in the chipper chute in the chute before using the machine.
 Do not operate on uneven ground or slope with the machine. Do not operate on uneven ground or slope with the machine.

To avoid a fire, keep away from any open flame or heat source. Do not use the machine in any area where there is a fire hazard. Use appropriate safety precautions as per below.



CRAFTSMAN

2" Chipping Capacity
 Reduction Ratio 14:1



⚠ DANGER

DO NOT OPERATE THIS MACHINE UNLESS THE CHUTE DEFLECTOR HAS BEEN PROPERLY INSTALLED.



⚠ DANGER

• ROTATING CUTTING BLADE. KEEP HANDS AND FEET OUT OF OPENING WHILE MACHINE IS RUNNING.
 • DO NOT OPERATE THIS MACHINE UNLESS THE CHUTE DEFLECTOR HAS BEEN PROPERLY INSTALLED AND IS SECURED WITH THE HAND KNOBS.



(Esta página se aplica sólo en EE.UU. y Canadá).

**Sears, Roebuck and Co., U.S.A. (Sears), el Consejo de Recursos Ambientales de California (CARB)
y la Agencia de Protección Ambiental de los Estados Unidos (EPA)
Declaración de garantía del sistema de control de emisiones
(derechos y obligaciones de la garantía de defectos del propietario)**

LA COBERTURA DE LA GARANTÍA DE CONTROL DE EMISIONES ES APLICABLE A LOS MOTORES CERTIFICADOS COMPRADOS EN CALIFORNIA EN 1995 Y POSTERIORMENTE, QUE SE UTILIZAN EN CALIFORNIA,

Y PARA LOS MODELOS CERTIFICADOS DEL AÑO 1997 Y POSTERIORES, QUE SE COMPREN Y UTILICEN EN CUALQUIER PARTE DE LOS ESTADOS UNIDOS (Y A PARTIR DEL 1 DE ENERO DE 2001 EN CANADÁ).

Declaración de garantía sobre defectos en el control de emisiones para California y los Estados Unidos

El Consejo de Recursos Ambientales de California (CARB), la EPA (Agencia de Protección Ambiental de los EE.UU.) y Sears tienen el gusto de explicar la garantía del sistema de control de emisiones para motores del año 2000 y para el futuro con relación a motores pequeños todo terreno (SORE). En California, los nuevos motores pequeños todo terreno deben estar diseñados, construidos y equipados para cumplir con las rigurosas normas anti-smog del estado. En otros lugares de los Estados Unidos, los motores nuevos, todo terreno, de encendido por chispa certificados para el modelo año 1997 y posteriores deben cumplir estándares similares establecidas por la agencia EPA de Estados Unidos. Sears debe garan-

tizar el sistema de control de emisiones de su motor por los períodos de tiempo enumerados más abajo, siempre y cuando no haya habido abuso, descuido o mantenimiento inadecuado de su pequeño motor todo terreno. Su sistema de control de emisiones puede incluir piezas tales como el carburador, el filtro de aire, el sistema de encendido, el silenciador y el convertidor catalítico. También puede incluir conectores y otras unidades relacionadas con las emisiones. Donde exista una condición cubierta por la garantía, Sears reparará su pequeño motor todo terreno sin costo alguno incluyendo diagnóstico, piezas y mano de obra

Cobertura de la garantía Sears para defectos en el control de emisiones

Los motores pequeños todo terreno están garantizados en cuanto a los defectos de las piezas para el control de emisiones por un período de dos años, con

sujeción a las disposiciones enumeradas a continuación. Si una parte de su motor cubierta por la garantía es defectuosa, Sears reparará o sustituirá dicha parte.

Responsabilidades del propietario en relación con la garantía

Como propietario del motor todo terreno pequeño, Ud. es responsable de la realización del mantenimiento requerido que se incluye en las instrucciones de operación y mantenimiento. Sears recomienda que se conserven todos los recibos relativos al mantenimiento de su motor todo terreno pequeño, pero no puede denegar la garantía simplemente por la falta de los mismos, o por su incumplimiento del mantenimiento programado. Como propietario del motor pequeño todoterreno debe saber que, sin embargo, Sears le puede negar la cobertura de la garantía si su motor todoterreno pequeño o una pieza del mismo han fallado debido a abuso, negligencia, mantenimiento indebido o a modificaciones no aprobadas. Ud. es

responsable de presentar su motor todoterreno pequeño a un distribuidor de servicios Sears autorizado tan pronto como aparezca un problema. Las reparaciones de la garantía sin conflicto deben completarse en un plazo de tiempo razonable, no superior a 30 días. Si tiene alguna pregunta respecto a sus derechos y responsabilidades referentes a la garantía, debe contactar con un representante de servicios Sears al 1-800-469-4663. La garantía que cubre al sistema de emisiones es una garantía por defectos. Los defectos se juzgan de acuerdo con el funcionamiento normal de un motor. La garantía no está relacionada con una prueba de emisiones en uso.

Disposiciones de la garantía Sears para defectos en el control de emisiones

Las siguientes son disposiciones específicas relacionadas con la cobertura de la garantía para defectos en el control de emisiones. Es un añadido a la garantía de motor Sears para motores no regulados que se encuentra en las instrucciones de funcionamiento y mantenimiento.

1. Piezas con garantía

La cobertura de esta garantía se extiende únicamente a las piezas que aparecen a continuación (las partes de los sistemas de control de emisiones), siempre que dichas piezas estuvieran ya en el motor en el momento de su compra.

a. Sistema de medición de combustible

- Sistema de enriquecimiento para arranque en frío
- Carburador y partes internas
- Bomba de combustible

b. Sistema de inducción de aire

- Filtro de aire
- Colector de admisión

c. Sistema de encendido

- Bujía(s) de encendido
- Sistema de encendido magneto

d. Sistema del catalizador

- Convertidor catalítico
- Colector de escape
- Sistema de inyección de aire o válvula de impulsos

e. Elementos variados usados en los sistemas anteriores

- Válvulas de vacío, sensibles a temperatura, posición y tiempo e interruptores
- Conectores y montajes

2. Alcance de la cobertura

Sears garantiza al poseedor inicial y a los compradores subsiguientes que las piezas con garantía no tendrán defectos en materiales ni mano de obra que provoquen la falla de las mismas durante un período de dos años a partir de la fecha en que el motor se entrega a un comprador particular.

3. Sin cargo

La reparación o reemplazo de cualquier parte con garantía se realizará sin cargo alguno para el poseedor, incluyendo tareas de diagnóstico que permitan deter-

minar si una parte con garantía es defectuosa, siempre que dicho diagnóstico se realice en un distribuidor de servicios Sears autorizado. Para el servicio de la garantía de emisiones, contacte al distribuidor de servicios Sears autorizado más cercano incluido en las "Páginas amarillas" en las categorías "Motores, gasolina", "Motores de gasolina", "Podadoras de césped", o similares.

4. Reclamaciones y exclusiones a la cobertura

Las reclamaciones de la garantía deben enviarse de acuerdo con las disposiciones de la política de garantía para motores Sears. La cobertura de la garantía excluirá defectos en piezas con garantía que no sean partes originales Sears, o abuso, negligencia o mantenimiento incorrecto, tal y como se establece en la política de garantía para motores Sears. Sears no es responsable de las fallas en piezas con garantía provocadas por el uso de partes añadidas, que no sean originales o que se hayan modificado.

5. Mantenimiento

Cualquier parte con garantía que no esté programada para ser reemplazada como mantenimiento requerido, o que sólo deba inspeccionarse regularmente al efecto de "inspeccione o reemplace según sea necesario", estará garantizada contra defectos durante el período de la garantía. Todas las piezas garantizadas que estén programadas para su reemplazo para cumplir con los requisitos de mantenimiento estarán garantizadas sólo por el período anterior al primer reemplazo programado para dicha pieza. Cualquier pieza de recambio que sea equivalente en funcionamiento y durabilidad puede usarse para realizar mantenimiento o reparaciones. El propietario es responsable de realizar todo el mantenimiento requerido, tal y como se define en las instrucciones de funcionamiento y mantenimiento Sears

6. Cobertura indirecta

Por la presente, la cobertura se extiende a la falla de cualquier componente de motor provocada por la falla de una pieza con garantía que esté todavía en período de garantía.

En los Estados Unidos y Canadá hay una línea de atención de 24 horas, 1-800-469-4663, que tiene un menú con mensajes pregrabados que ofrecen información para el mantenimiento de su motor.

ACUERDO DE PROTECCIÓN PARA REPARACIONES

Felicitaciones por haber realizado una adquisición inteligente. El producto Craftsman® que ha adquirido está diseñado y fabricado para brindar muchos años de funcionamiento confiable. Pero como todos los productos a veces puede requerir de reparaciones. Es en ese momento cuando el disponer de un Acuerdo de protección para reparaciones le puede ahorrar dinero y problemas.

A continuación se detallan los puntos incluidos en el Acuerdo:

- Servicio experto prestado por nuestros 12.000 especialistas en reparaciones profesionales
- Servicio ilimitado sin cargo para las piezas y la mano de obra en todas las reparaciones cubiertas
- Reemplazo del producto si no es posible reparar el producto cubierto
- Descuento de 10% del precio normal del servicio y de las piezas relacionadas con el mismo que no estén cubiertas por el acuerdo; además, 10% de descuento del precio normal de la verificación de mantenimiento preventivo
- Ayuda rápida por teléfono – asistencia telefónica a cargo de un técnico de Sears para los productos que requieren reparación

a domicilio, además de una programación conveniente para la reparación

Adquiera ahora un acuerdo de protección para reparaciones y protéjase de problemas y gastos inesperados.

Una vez adquirido el acuerdo, puede programar el servicio con tan sólo realizar una llamada telefónica. Puede llamar en cualquier momento del día o de la noche, o programar un servicio en línea.

Sears dispone de más de 12.000 especialistas en reparaciones profesionales que tienen acceso a más de 4.5 millones de piezas y accesorios de gran calidad. Este es el tipo de profesionalismo en el que puede confiar para que le ayude a prolongar la vida útil del producto recientemente adquirido en los años por venir. ¡Adquiera hoy su acuerdo de protección para reparaciones!

Se aplican determinadas limitaciones y exclusiones. Para obtener precios e información adicional llame al 1-800-827-6655.

Servicio de instalación de Sears

Para la instalación profesional de Sears de artefactos domésticos, dispositivos de apertura de portones de garage, calentadores de agua y otros artículos del hogar en los Estados Unidos, llame al 1-800-4-MY-HOME®

Busque el período de duración de emisiones importantes y La información de clasificación de aire en la etiqueta de emisiones de su motor

Los motores cuyo cumplimiento con los estándares de emisión Tier 2 de la Comisión de Recursos Ambientales de California (CARB) esté certificado deben exhibir la información relacionada con el período de duración de las emisiones y la clasificación de aire. Sears, Roebuck and Co., de los Estados Unidos ponen esta información a disposición del consumidor en nuestras etiquetas de emisiones.

El **Período de Duración de Emisiones** describe el número de horas de tiempo real de funcionamiento para el cual se certifica que el motor cumple con las reglas de emisión, descontando el mantenimiento adecuado del mismo según las instrucciones de operación y mantenimiento. Se utilizan las siguientes categorías:

Moderada: Se certifica que el motor cumple con las reglas de emisión durante 125 horas de tiempo real de funcionamiento del motor .

Intermedia: Se certifica que el motor cumple con las reglas de emisión durante 250 horas de tiempo real de funcionamiento del motor .

Prolongada: Se certifica que el motor cumple con las reglas de emisión durante 500 horas de tiempo real de funcionamiento del motor .

Por ejemplo, una cortadora de césped típica que se empuja desde atrás se usa entre 20 y 25 horas por año. Por lo tanto, el **período de duración de emisiones** de un motor con una calificación **intermedia** daría como resultado 10 a 12 años.

La **clasificación** de aire es un número calculado para describir el nivel relativo de emisiones para un grupo de motores en particular. Cuanto menor sea la **clasificación** de aire, mayor es la limpieza del motor. La información se presenta de forma gráfica en la etiqueta de emisiones.

Después del 1 de julio de 2000, busque el período de cumplimiento de las reglas de emisiones en la etiqueta de cumplimiento de las reglas de emisiones del motor

Después del 1 de julio de 2000 se certificará que determinados motores Sears, Roebuck and Co., de los Estados Unidos cumplen con los estándares de emisiones de la fase 2 de la Agencia de Protección Ambiental de los Estados Unidos (USEPA). Para los motores certificados para la etapa 2, el período de cumplimiento con las reglas de emisiones al cual se hace referencia en la etiqueta de cumplimiento con las reglas de emisiones indica el número de horas de funcionamiento para el cual se ha demostrado que el motor cumple con los requerimientos federales de emisión. Para los motores con desplazamiento inferior a 225 cc, Categoría C = 125 horas, B = 250 horas y A = 500 horas. Para los motores con desplazamiento de 225 cc o más, Categoría C = 250 horas, B = 500 horas y A = 1000 horas.

El desplazamiento de los motores de la serie 210000 es 344 cc, el de la serie 280000 es 465 cc, y el de la serie 310000 es 501 cc.

Get it fixed, at your home or ours!

Your Home

For repair – **in your home** – of **all** major brand appliances, lawn and garden equipment, or heating and cooling systems, **no matter who made it, no matter who sold it!**

For the replacement parts, accessories and owner's manuals that you need to do-it-yourself.

For Sears professional installation of home appliances and items like garage door openers and water heaters.

1-800-4-MY-HOME® (1-800-469-4663)

Call anytime, day or night (U.S.A. and Canada)

www.sears.com www.sears.ca

Our Home

For repair of carry-in items like vacuums, lawn equipment, and electronics, call or go on-line for the location of your nearest **Sears Parts & Repair Center.**

1-800-488-1222

Call anytime, day or night (U.S.A. only)

www.sears.com

To purchase a protection agreement (U.S.A.) or maintenance agreement (Canada) on a product serviced by Sears:

1-800-827-6655 (U.S.A.)

1-800-361-6665 (Canada)

Para pedir servicio de reparación a domicilio, y para ordenar piezas:

1-888-SU-HOGARSM
(1-888-784-6427)

Au Canada pour service en français:

1-800-LE-FOYER^{MC}
(1-800-533-6937)
www.sears.ca

SEARS

© Registered Trademark / TM Trademark / SM Service Mark of Sears, Roebuck and Co.

© Marca Registrada / TM Marca de Fábrica / SM Marca de Servicio de Sears, Roebuck and Co.

^{MC} Marque de commerce / ^{MD} Marque déposée de Sears, Roebuck and Co.

© Sears, Roebuck and Co.

Free Manuals Download Website

<http://myh66.com>

<http://usermanuals.us>

<http://www.somanuals.com>

<http://www.4manuals.cc>

<http://www.manual-lib.com>

<http://www.404manual.com>

<http://www.luxmanual.com>

<http://aubethermostatmanual.com>

Golf course search by state

<http://golfingnear.com>

Email search by domain

<http://emailbydomain.com>

Auto manuals search

<http://auto.somanuals.com>

TV manuals search

<http://tv.somanuals.com>