

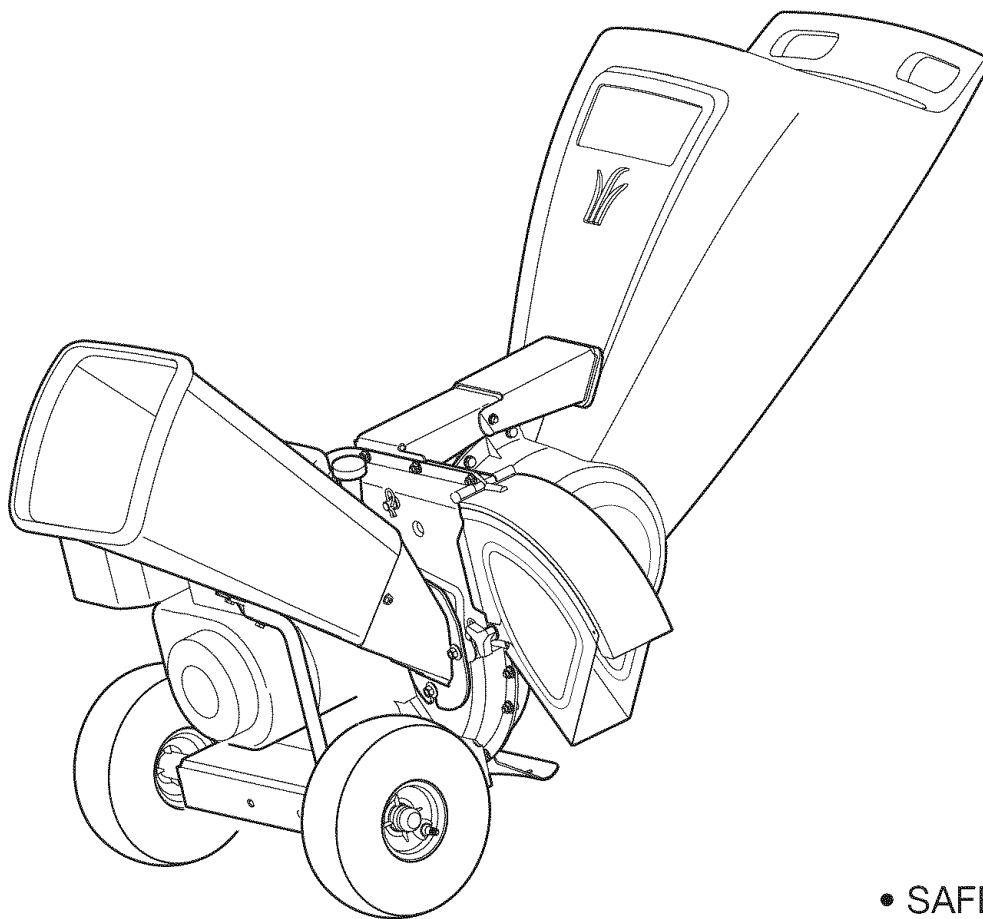
# Operator's Manual



**1100 Series Engine**

**Chipper Shredder**

Model No. 247.776370



**CAUTION: Before using this product, read this manual and follow all safety rules and operating instructions.**

- SAFETY
- ASSEMBLY
- OPERATION
- MAINTENANCE
- PARTS LIST
- ESPAÑOL

**Sears, Roebuck and Co., Hoffman Estates, IL 60179, U.S.A.**  
Visit our web site: [www.craftsman.com](http://www.craftsman.com)

FORM NO. 769-03235  
08/14/2007

# TABLE OF CONTENTS

Warranty Statement.....	Page 2	Service and Maintenance.....	Pages 14-17
Repair Protection Agreement.....	Page 3	Off-Season Storage.....	Page 18
Safe Operation Practices.....	Pages 4-5	Trouble Shooting.....	Page 19
Safety Labels.....	Page 7	Parts List.....	Page 20-29
Assembly.....	Pages 8-11	Español.....	Page 32
Operation.....	Pages 12-13	Service Numbers.....	Back Cover

## WARRANTY

### One Year Full Warranty on Craftsman Chipper Shredder

This equipment is covered by a one-year warranty, provided that it is maintained, lubricated, and tuned up according to the instructions in the operator's manual. During the warranty year, if this equipment experiences any failure due to defects in material or workmanship, RETURN IT TO YOUR NEAREST SEARS PARTS & REPAIR CENTER, and Sears will repair it, free of charge. In-home warranty service is available, but you will have to pay a trip charge.

#### This warranty does not cover:

- Expendable items which become worn during normal use, such as spark plugs, air cleaners, blades.
- Tire replacement or repair caused by punctures from outside objects, such as nails, thorns, stumps, or glass.
- Repairs necessary because of operator abuse, including but not limited to, damage caused by objects, such as stones, metal debris or oversized pieces of wood, or impacting objects that bend the frame or crankshaft, or over-speeding the engine.
- Repairs necessary because of operator negligence, including but not limited to, electrical and mechanical damage caused by improper storage, failure to use the proper grade and amount of engine oil, or failure to maintain the equipment according to the instructions contained in the operator's manual.
- Engine (fuel system) cleaning or repairs caused by fuel determined to be contaminated or oxidized (stale). In general, fuel should be used within 30 days of its purchase date.
- Equipment if used for commercial or rental purposes.

This warranty applies for only 90 days if this product is ever used for commercial or rental purposes.

This warranty applies only while this product is used in the United States.

This warranty gives you specific legal rights, and you may also have other rights which vary from state to state.

**Sears, Roebuck and Co., Hoffman Estates, IL 60179**

## PRODUCT SPECIFICATIONS

Engine Series:	1100
Engine Oil Type:	SAE 30
Engine Oil Capacity:	20 ounces
Fuel:	Unleaded Gasoline
Spark Plug:	Champion® RC-12YC
Spark Plug Gap:	.030"

## MODEL NUMBER

Model Number.....  
 Serial Number.....  
 Date of Purchase.....

Record the model number, serial number  
 and date of purchase above

# REPAIR PROTECTION AGREEMENT

Congratulations on making a smart purchase. Your new Craftsman® product is designed and manufactured for years of dependable operation. But like all products, it may require repair from time to time. That's when having a Repair Protection Agreement can save you money and aggravation.

Here's what's included in the Agreement:

- Expert service by our 12,000 professional repair specialists
- Unlimited service and no charge for parts and labor on all covered repairs
- Product replacement if your covered product can't be fixed
- Discount of 10% from regular price of service and service-related parts not covered by the agreement; also, 10% off regular price of preventive maintenance check
- Fast help by phone – phone support from a Sears technician on products requiring in-home repair, plus convenient repair scheduling

Purchase a Repair Protection Agreement now and protect yourself from unexpected hassle and expense.

Once you purchase the Agreement, a simple phone call is all that it takes for you to schedule service. You can call anytime day or night, or schedule a service appointment online.

Sears has over 12,000 professional repair specialists, who have access to over 4.5 million quality parts and accessories. That's the kind of professionalism you can count on to help prolong the life of your new purchase for years to come. Purchase your Repair Protection Agreement today!

**Some limitations and exclusions apply. For prices and additional information call 1-800-827-6655.**

## **Sears Installation Service**

For Sears professional installation of home appliances, garage door openers, water heaters, and other major home items, in the U.S.A. call 1-800-4-MY-HOME®

# SAFETY INSTRUCTIONS

## ⚠ WARNING



This symbol points out important safety instructions which, if not followed, could endanger the personal safety and/or property of yourself and others. Read and follow all instructions in this manual before attempting to operate this machine. Failure to comply with these instructions may result in personal injury. When you see this symbol, **HEED ITS WARNING!**

**Your Responsibility:** Restrict the use of this power machine to persons who read, understand, and follow the warnings and instructions in this manual and on the machine.

## ⚠ DANGER

This machine was built to be operated according to the rules for safe operation in this manual. As with any type of power equipment, carelessness or error on the part of the operator can result in serious injury. This machine is capable of amputating hands and feet and throwing objects. Failure to observe the following safety instructions could result in serious injury or death.

## ⚠ WARNING

Engine Exhaust, some of its constituents, and certain vehicle components contain or emit chemicals known to State of California to cause cancer and birth defects or other reproductive harm.

## TRAINING

- Read, understand, and follow all instructions on the machine and in the manual(s) before attempting to assemble and operate. Keep this manual in a safe place for future and regular reference and for ordering replacement parts.
- Be familiar with all controls and their proper operation. Know how to stop the machine and disengage them quickly.
- Never allow children under 16 years old to operate this machine. Children 16 years old and over should read and understand the operation instructions and safety rules in this manual and should be trained and supervised by a parent.
- Never allow adults to operate this machine without proper instruction.
- Keep bystanders, helpers, pets, and children at least 75 feet from the machine while it is in operation. Stop machine if anyone enters the area.
- Never run an engine indoors or in a poorly ventilated area. Engine exhaust contains carbon monoxide, an odorless and deadly gas.
- Do not put hands and feet near rotating parts or in the feeding chambers and discharge opening. Contact with the rotating impeller can amputate fingers, hands, and feet.
- Never attempt to unclog either the feed intake or discharge opening, remove or empty chipper bag, or inspect and repair the machine while the engine is running. Shut the engine off and wait until all moving parts have come to a complete stop. Disconnect the spark plug wire and ground it against the engine.

## PREPARATION

- Thoroughly inspect the area where the equipment is to be used. Remove all rocks, bottles, cans, or other foreign objects which could be picked up or thrown and cause personal injury or damage to the machine.
- Always wear safety glasses or safety goggles during operation or while performing an adjustment or repair, to protect eyes. Thrown objects which ricochet can cause serious injury to the eyes.
- Wear sturdy, rough-soled work shoes and close-fitting slacks and shirts. Loose fitting clothes or jewelry can be caught in movable parts. Never operate this machine in bare feet or sandals. Wear leather work gloves when feeding material in the chipper chute.
- Before starting, check all bolts and screws for proper tightness to be sure the machine is in safe working condition. Also, visually inspect machine for any damage at frequent intervals.
- Maintain or replace safety and instructions labels, as necessary.
- To avoid personal injury or property damage use extreme care in handling gasoline. Gasoline is extremely flammable and the vapors are explosive. Serious personal injury can occur when gasoline is spilled on yourself or your clothes which can ignite. Wash your skin and change clothes immediately.
- Use only an approved gasoline container.
- Extinguish all cigarettes, cigars, pipes, and other sources of ignition.
- Never fuel machine indoors.
- Never remove gas cap or add fuel while the engine is hot or running.
- Allow engine to cool at least two minutes before refueling.
- Never over fill fuel tank. Fill tank to no more than 1/2 inch below bottom of filler neck to provide space for fuel expansion.
- Replace gasoline cap and tighten securely.
- If gasoline is spilled, wipe it off the engine and equipment. Move machine to another area. Wait 5 minutes before starting the engine.
- Never store the machine or fuel container inside where there is an open flame, spark, or pilot light (e.g. furnace, water heater, space heater, clothes dryer, etc.).
- To reduce a fire hazard, keep machine free of grass, leaves, or other debris build-up. Clean up oil or fuel spillage and remove any fuel soaked debris.
- Allow machine to cool at least 5 minutes before storing.

# SAFETY INSTRUCTIONS

## OPERATION

- Do not put hands and feet near rotating parts or in the feeding chambers and discharge opening. Contact with the rotating impeller can amputate fingers, hands, and feet.
- Before starting the machine, make sure the chipper chute, feed intake, and cutting chamber are empty and free of all debris.
- Thoroughly inspect all material to be shredded and remove any metal, rocks, bottles, cans, or other foreign objects which could cause personal injury or damage to the machine.
- If it becomes necessary to push material through the shredder hopper, use a small diameter stick. Do not use your hands or feet.
- If the impeller strikes a foreign object or if your machine should start making an unusual noise or vibration, immediately shut the engine off. Allow the impeller to come to a complete stop. Disconnect the spark plug wire, ground it against the engine and perform the following steps:
  1. Inspect for damage.
  2. Repair or replace any damaged parts.
  3. Check for any loose parts and tighten to assure continued safe operation.
- Do not allow an accumulation of processed material to build up in the discharge area. This can prevent proper discharge and result in kickback of material through the feed opening.
- Do not attempt to shred or chip material larger than specified on the machine or in this manual. Personal injury or machine damage could result.
- Never attempt to unclog either the feed intake or discharge opening while the engine is running. Shut the engine off, wait until all moving parts have stopped, disconnect the spark plug wire and ground it against the engine before clearing debris.
- Never operate without chipper bag and discharge chute properly attached to the machine. Never empty or change chipper bag while the engine is running. Zippered end of chipper bag must be kept closed at all times during operation.
- Never operate without the shredder hopper, chipper chute, or chute deflector properly attached to the machine. Never empty or change chipper bag while the engine is running.
- Keep all guards, deflectors and safety devices in place and operating properly.
- Keep your face and body back and to the side of the chipper chute while feeding material into the machine to avoid accidental kickback injuries.
- Never operate this machine without good visibility or light.
- Do not operate this machine on a paved, gravel, or non-level surface.
- Do not operate this machine while under the influence of alcohol or drugs.
- Muffler and engine become hot and can cause a burn. Do not touch.
- Never pick up or carry machine while the engine is running.

## MAINTENANCE & STORAGE

- Never tamper with safety devices. Check their proper operation regularly.
- Check bolts and screws for proper tightness at frequent intervals to keep the machine in safe working condition. Also, visually inspect machine for any damage and repair, if needed.
- Before cleaning, repairing, or inspecting, stop the engine and make certain the impeller and all moving parts have stopped. Disconnect the spark plug wire and ground it against the engine to prevent unintended starting.
- Do not change the engine governor settings or overspeed the engine. The governor controls the maximum safe operating speed of the engine.
- Maintain or replace safety and instruction labels, as necessary.
- Follow this manual for safe loading, unloading, transporting, and storage of this machine.
- Never store the machine or fuel container inside where there is an open flame, spark or pilot light such as a water heater, furnace, clothes dryer, etc.
- Always refer to the operator's manual for proper instructions on off-season storage.
- If the fuel tank has to be drained, do this outdoors.
- Observe proper disposal laws and regulations for gas, oil, etc. to protect the environment.

### Do not modify engine

To avoid serious injury or death, do not modify engine in any way. Tampering with the governor setting can lead to a runaway engine and cause it to operate at unsafe speeds. Never tamper with factory setting of engine governor.


This page left intentionally blank.

# SAFETY LABELS

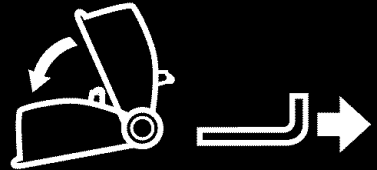
**⚠ DANGER**

**TO AVOID SERIOUS INJURY:**

- Do not operate on uneven ground where unit is unstable. Do not operate on pavement, gravel or other hard surfaces since objects can ricochet and cause injury.
- To avoid a fire hazard, keep leaves, grass, and other combustible materials away from hot engine and muffler.
- Keep children and others away from area of operation.
- Wear approved safety glasses, gloves and ear protection.




**INSTRUCTIONS:  
TO RAISE AND LOWER HOPPER**



**⚠ DANGER**


**TO AVOID SERIOUS INJURY:**

- Read the owner's manual(s) before starting and using unit.
- Keep all shields and guards in place and securely attached.
- Keep hands, feet, face, clothing and long hair out of Shredder Hopper, Chipper Chute and Discharge Chute while the engine is running. Rotating cutting blades inside these openings will cause serious personal injury if contacted. Material being processed may bounce back from inlet openings or be thrown from the discharge chute. Long hair or loose clothing may be pulled sucked into the inlet openings.
- Do not place branches over 1/2 inch diameter into the large Shredder Hopper. Branches over 1/2 inch in diameter should be placed in the Small Chipper Chute.
- If the chipped shredder jams or becomes clogged, immediately shut off the engine and wait for all moving parts to come to a complete stop before clearing.
- Do not install, remove, adjust, or service the discharge screen or any other part while the engine is running. Blade contact can occur.



**⚠ DANGER**

**ROTATING CUTTING BLADES.  
KEEP HANDS AND FEET OUT  
OF OPENINGS WHILE MACHINE  
IS RUNNING.**



**⚠ DANGER**

- ROTATING CUTTING BLADES. KEEP HANDS AND FEET OUT OF OPENING WHILE MACHINE IS RUNNING.
- DO NOT OPERATE THIS MACHINE UNLESS THE CHUTE DEFLECTOR HAS BEEN PROPERLY INSTALLED AND IS SECURED WITH THE HAND KNOBS.



**⚠ DANGER**

**DO NOT OPERATE THIS MACHINE  
UNLESS THE CHUTE DEFLECTOR  
HAS BEEN PROPERLY INSTALLED.**



**⚠ WARNING**

**TO AVOID  
EYE INJURY,  
WEAR SAFETY  
GLASSES.**



**DO NOT DEPOSIT  
MATERIAL LARGER THAN  
1/2" DIAMETER IN LARGE  
SHREDDER HOPPER.  
THIS MAY DAMAGE  
MACHINE.**

# ASSEMBLY

**IMPORTANT:** This unit is shipped without gasoline or oil in the engine. Be certain to service engine with gasoline and oil as instructed in the separate engine manual before operating your machine.

**NOTE:** Reference to right and left hand side of the Yard Vacuum is observed from the operating position.

## OPENING CARTON

1. Cut each corner of the carton vertically from top to bottom.
2. Remove all loose parts.
3. Remove loose packing material.

## REMOVING UNIT FROM CARTON

1. Lift unit from the rear to detach it from underlying carton material and roll unit out of carton.
2. Check carton thoroughly for any other loose parts.

## LOOSE PARTS IN CARTON

- Hopper Assembly
- Bag
- Chute Deflector
- Chipper Chute
- Safety Glasses
- Engine Oil

## ATTACHING THE HOPPER ASSEMBLY

1.
  - a. Remove six hex nuts and washers from the weld studs on the impeller housing. Do not remove support plate. See Figure 1.
  - b. Place hopper assembly into position in front of impeller housing, aligning holes in hopper assembly collar with weld studs.
  - c. Slide hopper assembly onto weld studs and replace washers and hex nuts. Do not tighten completely.
2.
  - a. Lift hopper assembly up to impeller bracket assembly.
  - b. Slide the release rod out slightly to hook the hopper bracket onto the rod. See Figure 2.
  - c. Tighten the six hex nuts that secure hopper assembly to impeller housing and also tighten the hex nuts that secure hopper bracket to hopper assembly.

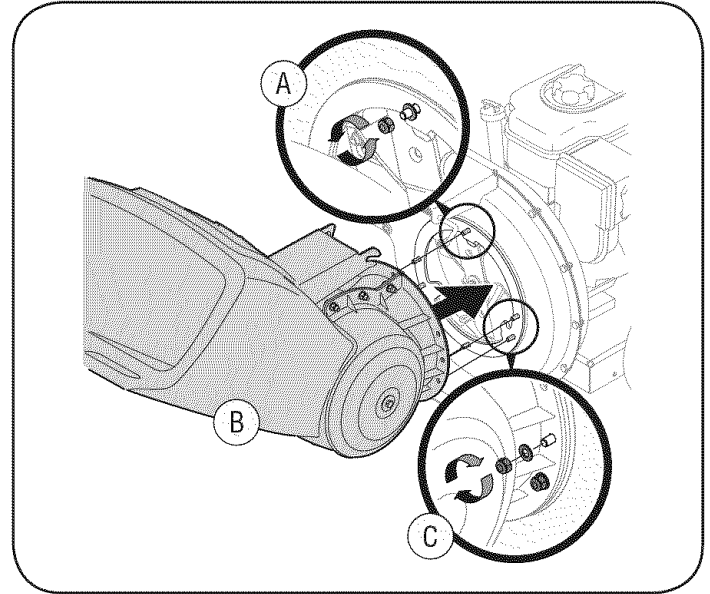


Figure 1

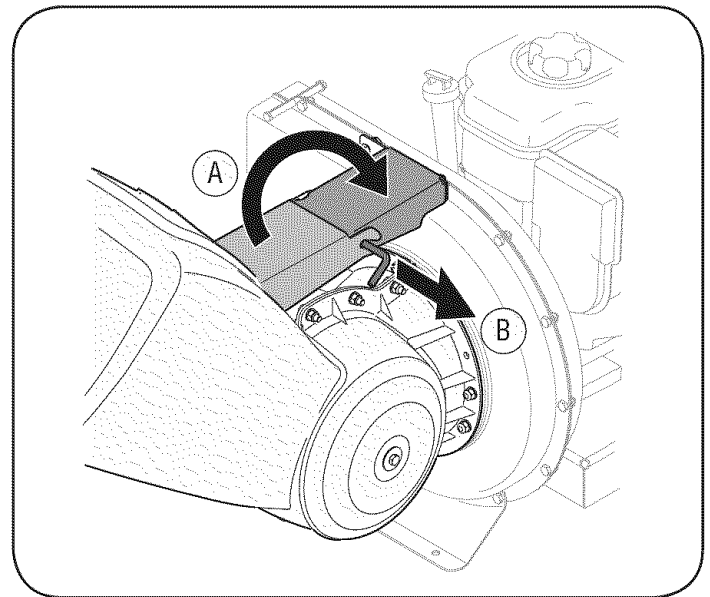


Figure 2



# ASSEMBLY

## ATTACHING THE CHUTE DEFLECTOR

- Remove the wing knobs from each side of the lower impeller housing. See Figure 3.
  - Remove the hex lock nut, spacers, and hex bolt from the top of the impeller housing.
- Align the chute deflector in position on the discharge opening and insert hex bolt with spacer through hinge on chute deflector (spacers fit inside of hinges). See Figure 4.
  - Place second spacer over hex bolt inside other hinge and secure with hex lock nut.
  - Secure both sides of chute deflector to impeller housing using wing knobs previously removed.

## ATTACHING THE CHIPPER CHUTE

- Remove the three cupped washers and hex nuts from weld studs around the opening on the side of the impeller housing. See Figure 5.
  - Remove the hex bolts, flat washers, and lock nuts from the two holes on the upper end of the support brace.

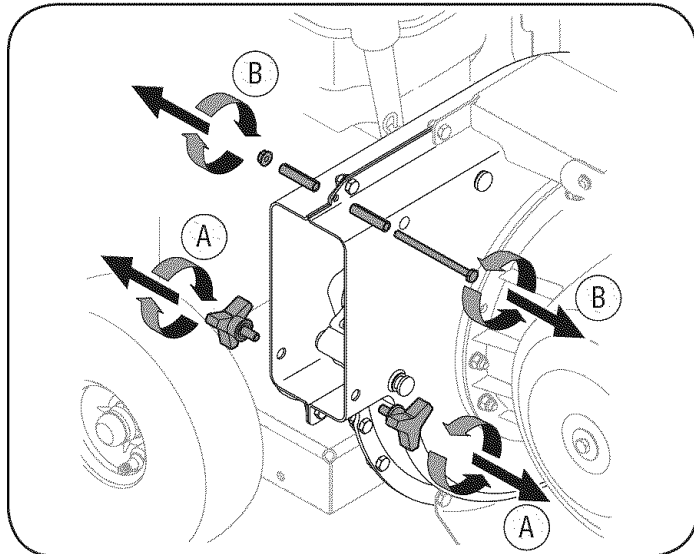


Figure 3

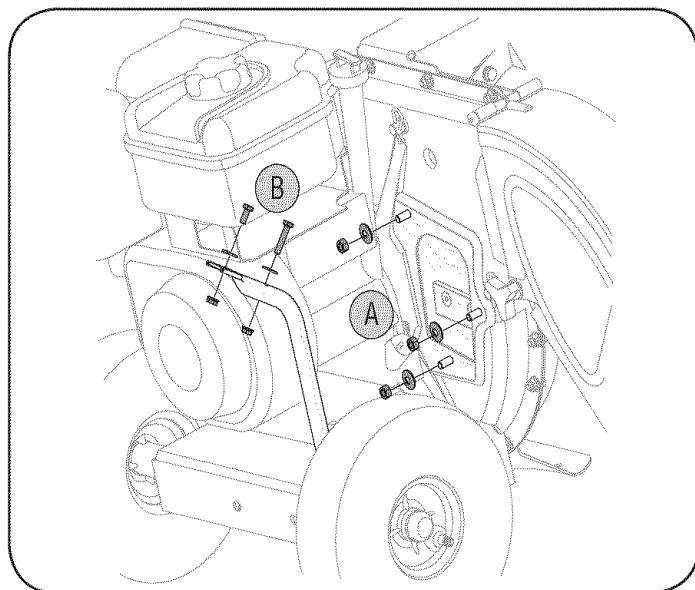


Figure 5

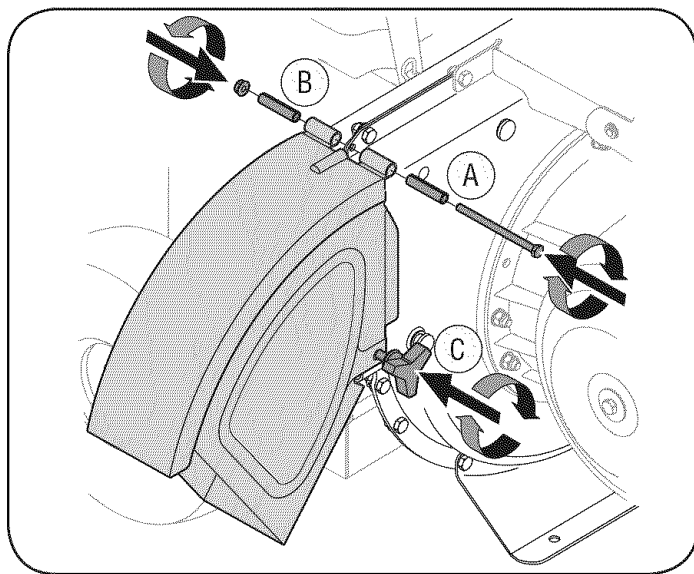


Figure 4

## ASSEMBLY

2.
  - a. Align the chipper chute over the weld studs, so the slot in the bottom of the chute is facing down. See Figure 6.
  - b. Secure chipper chute with the three cupped washers (cupped side against the chipper chute) and hex nuts previously removed. Do not tighten the nuts at this time.
3. The chipper shredder was shipped with one end of the support brace already secured to the lower frame. Loosen but do not remove the bolts securing the brace to the frame.
  - a. Align the holes in the chute with the holes in the top of the brace and attach brace to chipper chute with hardware previously removed. Tighten securely. See Figure 7.
  - b. Tighten the bolts securing the support brace to the frame.
  - c. Tighten the three nuts on the weld studs holding the chipper chute to the impeller housing.

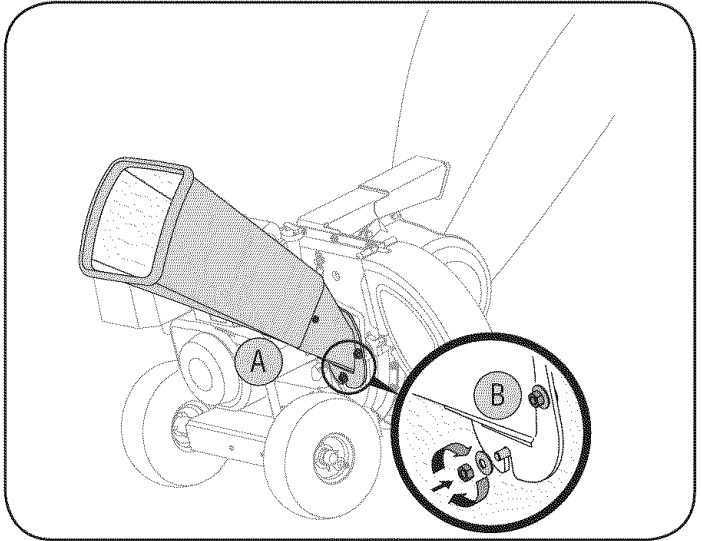


Figure 6

### ATTACHING THE BAG

1. To attach the bag:
  - a. Place the opening of the bag completely over the chute deflector.
  - b. Pull on the drawstring until the bag is tight around chute deflector opening.
  - c. Clip drawstring back on itself, tight against chute deflector to secure into position. See Figure 8.

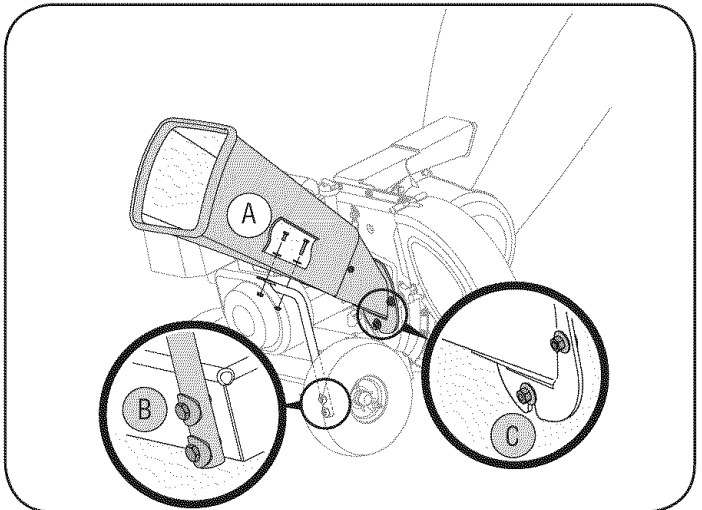


Figure 7

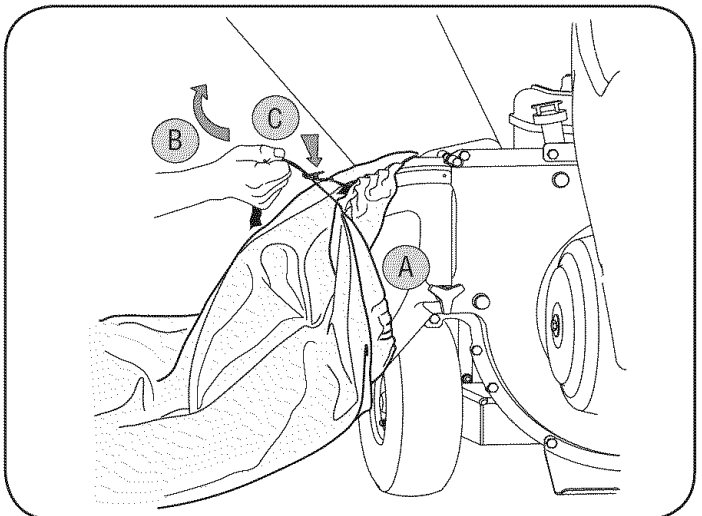


Figure 8

# OPERATION

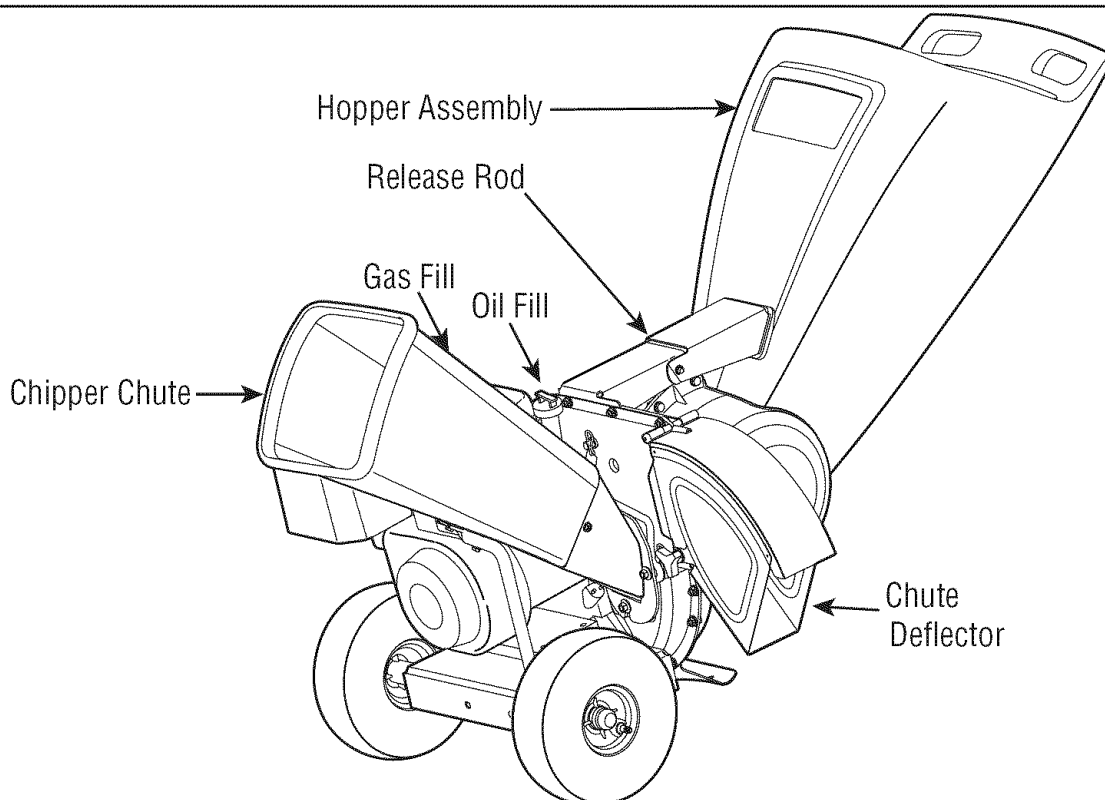


Figure 9

Now that you have set up your chipper shredder for operation, get acquainted with its controls and features. These are described below and illustrated on this page. This knowledge will allow you to use your new equipment to its fullest potential.

## CHIPPER CHUTE

Allows twigs and small branches up to 3" in diameter to be fed into the impeller for chipping. See Figure 9.

## HOPPER ASSEMBLY

Allow leaves and small branches up to 1/2 diameter to be fed into the impeller for chipping and shredding. Material can be raked into hopper assembly by lowering the hopper assembly. See Figure 9.

## RELEASE ROD

The release rod is located on the impeller bracket assembly and it is used to release or lock the hopper when raising or lowering. See Figure 9.

## CHUTE DEFLECTOR

Chipped and shredded debris is discharged out the chute deflector. The unit may be operated with or without the collection bag attached to the chute deflector. See Figure 9.

## ⚠ WARNING

The operation of any chipper shredder can result in foreign objects being thrown into the eyes, which can damage your eyes severely. Always wear the safety glasses provided with this unit or eye shields before chipping or shredding and while performing any adjustments or repairs.

## THROTTLE CONTROL

This lever controls the engine speed and stop function. Through three separate positions on the lever from left to right, the operation is as follows:



Start/ Run



Slow/ Idle



Engine Off

## CHOKE CONTROL

The choke control is used to choke the carburetor and assist in starting the engine.

## STARTER HANDLE

Used to start the engine.

## Meets ANSI Safety Standards

Craftsman Yard Vacuums conform to the safety standard of the American National Standards Institute (ANSI).

# OPERATION

## GAS AND OIL FILL-UP

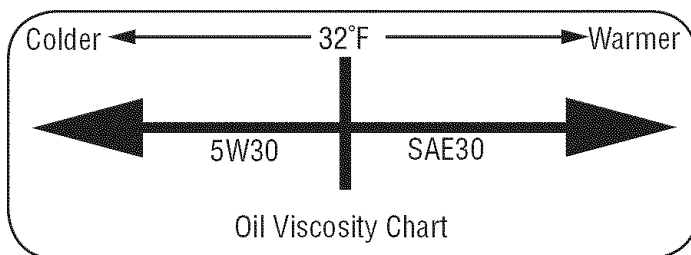
### Oil (one bottle shipped with unit)

#### First Time Use

1. Remove oil fill dipstick.
2. With the chipper shredder on level ground, use a funnel to empty entire contents of oil bottle provided into the engine.
3. Replace oil fill dipstick and tighten.

#### Subsequent Uses

Only use high quality detergent oil rated with API service classification SF, SG, or SH. Select the oil's SAE viscosity grade according to the expected operating temperature. Follow the chart below.



Oil Viscosity Chart

Although multi-viscosity oils (5W30, 10W30, etc.) improve starting in cold weather, they will result in increased oil consumption when used above 32°F. Check your engine oil level more frequently to avoid possible engine damage from running low on oil.

1. Check the oil level making certain not to rub the dipstick along the inside walls of the oil fill tube. This would result in a false dipstick reading. Refill to FULL mark on dipstick, if necessary. Capacity is approximately 18 oz. Overfilling will cause the engine to smoke profusely and will result in poor engine performance.
2. Replace oil fill dipstick and tighten.
3. Keep oil level at FULL. Running the engine with too little oil can result in permanent engine damage.

### ⚠ WARNING

Use extreme care when handling gasoline. Gasoline is extremely flammable and the vapors are explosive. Never fuel machine indoors or while the engine is hot or running. Extinguish cigarettes, cigars, pipes, and other sources of ignition.

### Gasoline

1. Remove fuel cap from the fuel tank.
2. Make sure the container from which you will pour the gasoline is clean and free from rust or foreign particles. Never use gasoline that may be stale from long periods of storage in its container. Gasoline that has been sitting for any period longer than four weeks should be considered stale.
3. Fill fuel tank with clean, fresh, unleaded regular gasoline only. Do not use gasoline containing METHANOL. Replace fuel cap.

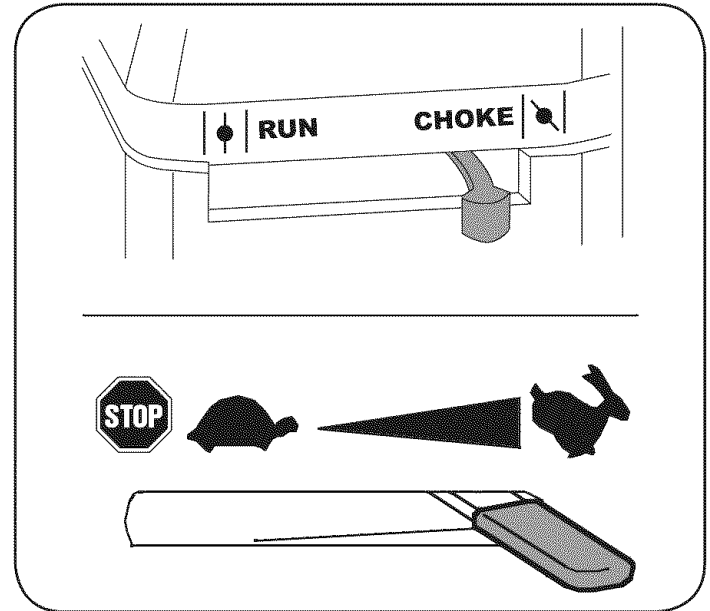


Figure 10

### ⚠ CAUTION

Use Alcohol blended fuels (called gasohol or using ethanol or methanol) can attract moisture which leads to separation and formation of acids during storage. Acidic gas can damage the fuel system of an engine while in storage.

### ⚠ CAUTION



To avoid engine problems, the fuel system should be emptied before storage for 30 days or longer. Drain the gas tank, start the engine and let it run until the fuel lines and carburetor are empty. Use fresh fuel next season. See STORAGE Instructions for additional information.

### ⚠ CAUTION

Never use engine or carburetor cleaner products in the fuel tank or permanent damage may occur.


**NOTE:** Check the fuel level periodically to avoid running out of gasoline while operating the chipper shredder. If the unit runs out of gas as it is chipping, it may be necessary to unclog the discharge area before it can be restarted. Refer to SERVICE AND ADJUSTMENT section.

### TO START ENGINE



1. Attach spark plug wire and rubber boot to spark plug.
2. Gas tank should be filled 3/4 to full before starting.
3. Move the choke lever on the engine to CHOKE position.  (A warm engine may not require choking.) See Figure 10.
4. Move throttle control to START/RUN (Rabbit) position.  See Figure 10.
5. Standing behind the unit, grasp starter handle and pull rope out until you feel a drag.

# OPERATION

**NOTE:** A noise will be heard when finding the start of the compression cycle. This noise is caused by the flails and fingers, which are part of the shredding mechanism, and it should be expected until the impeller reaches full speed.

6. Pull the rope with a rapid, continuous, full arm stroke. Keep a firm grip on the starter handle. Let the rope rewind slowly.
7. Repeat, if necessary, until engine starts. When engine starts, move choke control gradually away from the throttle control.
8. If engine falters, move choke control back toward the throttle control and repeat steps 5 through 7.
9. ALWAYS keep the throttle control in the START/RUN  position when operating the chipper shredder.

## TO STOP ENGINE

1. Move throttle control lever to slow (turtle)  position. Whenever possible, gradually reduce engine speed before stopping engine.
2. Move throttle control lever to STOP or OFF  position.
3. Disconnect spark plug wire and ground it to the retaining post to prevent accidental starting while the equipment is unattended.

## SHREDDING

Yard waste such as leaves and pine needles can be placed in the hopper for shredding. After material has been processed by the shredder blade and flails, it will be forced out of the chute deflector, and, if attached, into a debris collection bag.

Observe the following guidelines when shredding yard debris:

- Never attempt to shred material other than normal yard debris (leaves, twigs, pine cones, etc.).
- Avoid shredding fibrous plants such as tomato vines until they are thoroughly dried out. Fresh vines do not shred well and tend to wrap themselves around the impeller and flails.
- Place reasonable amounts of debris into the hopper at a time. Do not overload the hopper.
- Allow the material in the hopper to be drawn into the blades and shredded before adding additional debris to the hopper. Failure to do so may result in a clogged hopper, clogged chute deflector or a stalled engine.

## CHIPPING

Branches up to 3" in diameter can be fed into the chipper chute. Observe the following guidelines when chipping branches:

- Keep both hands firmly on the branch as you feed it into the chipper chute.
- Never feed more than one branch into the chipper chute at a time.
- Never feed anything other than branches (or wood) into the chipper chute.
- Apply intermittent pressure (force, in short pulses) while feeding larger (3-inch diameter) branches into the chipper chute, to avoid bogging or stalling the engine.

**IMPORTANT:** Never feed branches with a diameter greater than three (3) inches into the chipper chute. Doing so can result in serious damage to your unit's chipper blades, flails or impeller.

**NOTE:** For best performance, always operate the unit with sharp chipper blades. If a noticeable loss in performance is encountered while chipping branches, the chipper blades should be replaced.

## LOWERING THE HOPPER ASSEMBLY

1. With one hand grasp the handle at the top of the hopper assembly and lift slightly.
2. With the other hand pull out on the release rod and lower the hopper assembly to the ground. See Figure 10.

## TO EMPTY BAG

1. Un-clip drawstring and loosen bag from chute deflector opening.
2. Empty bag and reattach to the discharge chute opening. Pull on the drawstring until the bag is tight around the chute opening and clip the drawstring tight against the chute deflector.

**IMPORTANT:** The flail screen is located inside the housing in the discharge area. If the flail screen becomes clogged, remove and clean as instructed in the Service and Maintenance section. For best performance, it is also important to keep the chipper blade sharp.

# SERVICE AND MAINTENANCE

## ⚠ WARNING

Always stop engine and disconnect spark plug wire before performing any maintenance or adjustments. Always wear safety glasses during operation or while performing any adjustments or repairs.

## GENERAL RECOMMENDATIONS

- Always observe safety rules when performing any maintenance.
- The warranty on this chipper shredder does not cover items that have been subjected to operator abuse or negligence. To receive full value from warranty, operator must maintain the equipment as instructed here.
- Some adjustments will have to be made periodically to maintain your unit properly.
- Periodically check all fasteners and make sure these are tight.

## ENGINE MAINTENANCE

### Checking the Spark Plug

Clean spark plug and reset the electrode gap to 0.030" at least once a season; replace every 100 hours of operation.

- Clean area around the spark plug base. Do not sandblast spark plug. Spark plug should be cleaned by scraping or wire brushing and washing with a commercial solvent.
- Remove and inspect the spark plug. Check gap to make sure it is set at .030". See Figure 11.
- Replace the spark plug if electrodes are pitted, burned, or the porcelain is cracked.

### Servicing the Air Cleaner

## ⚠ CAUTION

Do not use pressurized air or solvents to clean the air cleaner cartridge.

The air cleaner prevents damaging dirt, dust, etc., from entering the carburetor and being forced into the engine and is important to engine life and performance. The air cleaner consists of a pleated filter and a pre-cleaner that can be washed and reused. Never run the engine without an air cleaner completely assembled.

Clean or replace the air cleaner every 25 hours of operation.

1. Loosen screws that hold the air filter cover.
2. Open cover and remove cartridge. See Figure 12.
3. Remove pre-cleaner from the cartridge. Discard old cartridge.
4. Install new cartridge. Install lip on pre-cleaner at the bottom of cartridge pleats.
5. Close the cover and tighten screws.

**NOTE:** If the filter is torn or damaged in any way, replace it.

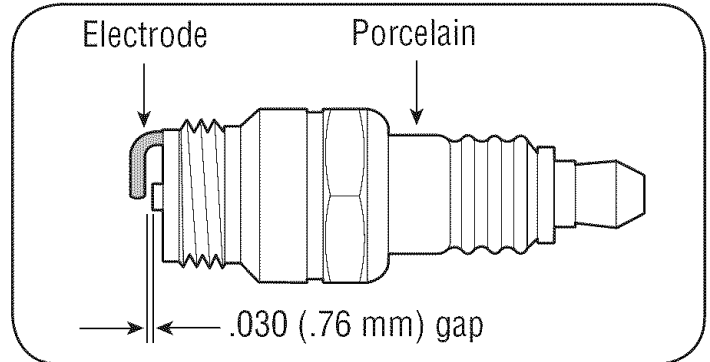


Figure 11

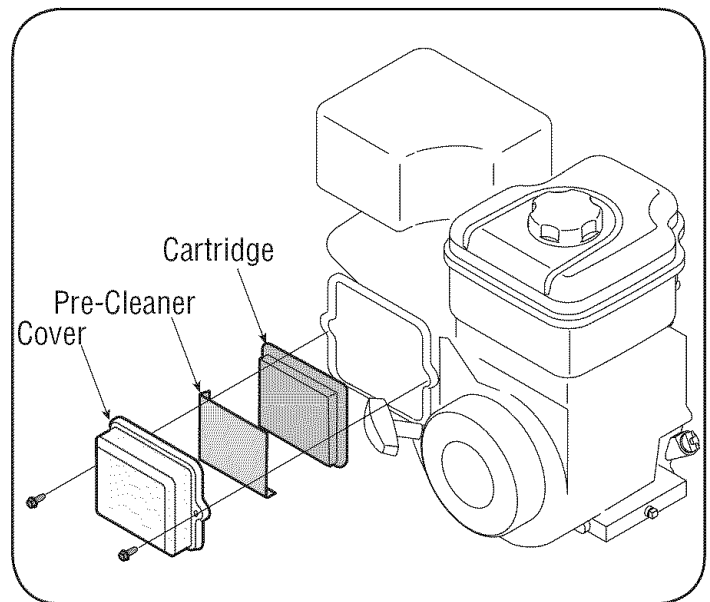


Figure 12

### Check Engine Oil

1. Stop engine and wait several minutes before checking oil level. With engine on level ground, the oil must be to FULL mark on dipstick.
2. Remove oil fill dipstick and wipe clean with cloth.
3. Replace and tighten dipstick. Remove and check oil level. Level should be at FULL mark.
4. If needed, add oil slowly - recheck. Do not overfill.
5. Wipe dipstick clean, replace and tighten. Remove and check oil level. Oil level should be at FULL line on dipstick.

## ⚠ CAUTION

Do not overfill. Overfilling with oil may cause the engine to not start, or hard starting. If over the FULL mark on the dipstick, drain oil to reduce oil level to FULL mark on dipstick.

# SERVICE AND MAINTENANCE

## Change Engine Oil

- Only use high quality detergent oil rated with API service classification SF, SG, or SH. Select the oil's SAE viscosity grade according to the expected operating temperature. Refer to operation section for viscosity chart.
- Change engine oil after the first five to eight hours of operation, and every fifty hours or every season thereafter. Change oil every twenty five hours when operating engine under heavy load or in high temperatures.

## To Drain Oil

1. Drain the fuel from the tank by running the engine until the fuel tank is empty.
2. With engine OFF but still warm, disconnect spark plug wire and keep it away from spark plug.
3. Remove square oil drain plug located at the base of the engine, and drain oil into an appropriate receptacle. See Figure 13.

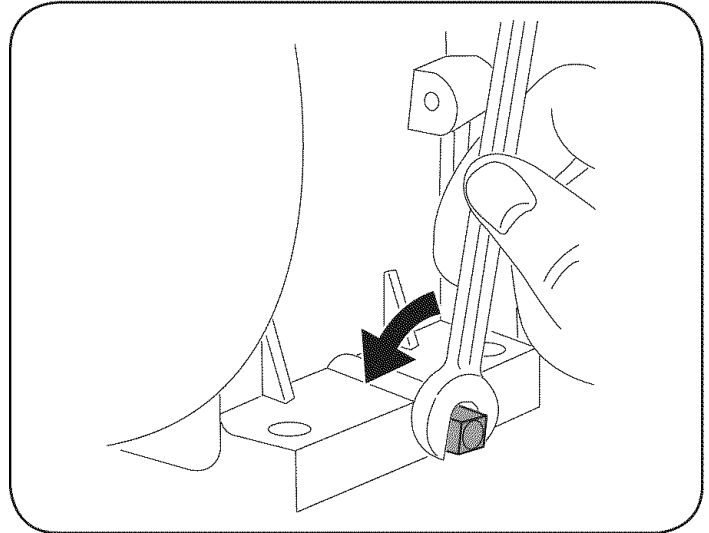


Figure 13

### ⚠ CAUTION

Used oil is a hazardous waste product. Dispose of used oil properly. Do not discard with household waste. Check with your local authorities or Sears Service Center for safe disposal/recycling facilities.

4. Replace and tighten the oil drain plug.
5. When engine is drained of all oil, place engine level. Refill with approximately 20 oz. of fresh oil. Fill to FULL line on dipstick. Do not overfill. Refer to **Gas And Oil Fill-Up** in OPERATION section.
6. Replace oil fill dipstick and tighten.
7. Replace spark plug wire before starting.

### ⚠ WARNING

Temperature of muffler and nearby areas may exceed 150° F (65°C). Avoid these areas.

## Service Muffler

- Inspect muffler periodically, and replace if necessary. Replacement parts for the muffler must be the same and installed in the same position as the original parts.

## Clean Engine

- Daily or before every use, clean grass, chaff or accumulated debris from engine. Keep linkage, spring, and controls clean. Keep area around and behind muffler free of any combustible debris.
- Keeping engine clean allows air movement around engine.
- Engine parts should be kept clean to reduce the risk of overheating and ignition of accumulated debris.

### ⚠ CAUTION

Do not use water to clean engine parts. Water could contaminate fuel system. Use a brush or dry cloth.

## Carburetor Adjustment

The carburetor on this engine is not adjustable.

## Engine Speed

### ⚠ WARNING

Do not attempt to alter the engine speed by tampering with the engine's governor linkage. Doing so could result in serious personal injury and damage to the engine. The engine RPM has been set at the factory.

## LUBRICATION

- **Hopper Assembly**- Lubricate the pivot points on the hopper assembly with light oil once a season.
- **Discharge Chute**- Lubricate the pivot points on the discharge chute with light oil once a season.
- **Release Rod**- Lubricate the release rod and spring with light oil once a season.

## CLEAN EQUIPMENT

- Clean the chipper shredder thoroughly after each use.
- Wash bag periodically with water. Allow to dry thoroughly in shade.
- If the flail screen becomes clogged, remove and clean as instructed below.

NOTE: Cleaning with a forceful spray of water is not recommended as it could contaminate the fuel system.

# SERVICE AND MAINTENANCE

## **⚠ WARNING**

Before performing any type of maintenance on the machine, wait for all parts to stop moving and disconnect the spark plug wire. Failure to follow this instruction could result in personal injury or property damage.

## REMOVING THE FLAIL SCREEN

If the discharge area becomes clogged, remove the flail screen and clean area as follows:

1. Stop the engine. Make certain the chipper shredder has come to a complete stop.
2. Disconnect spark plug wire from spark plug and ground against the engine.
3.
  - a. Remove the bag and two wing knobs on each side of the chute deflector. See Figure 14.
  - b. Lift the chute deflector up to keep it out of the way.
  - c. Remove the two hairpin clips from each clevis pin which extend through the housing and remove pins.
  - d. Remove the flail screen from inside the housing and clean the screen by scraping or washing with water. See Figure 14.
4. Reinstall the screen, making certain to reassemble the flail screen with the curve side down.
5. Reattach the chute deflector with the hardware previously removed and connect the bag to unit.

## SHARPENING OR REPLACING CHIPPER BLADES

1. Disconnect the spark plug wire and ground against the engine.
2. Remove the flail screen as instructed in the previous section.
3. Remove the chipper chute by removing three hex nuts and washers.
4. Remove the chipper chute support brace from the frame by removing the hex bolts.
5. Rotate impeller assembly by hand until you locate one of two chipper blades in the chipper chute opening.
6. Remove the blade by removing the internal hex screws, lock washers, and hex nuts which secure it to the impeller. Retain the hardware. See Figure 15.

**NOTE:** Use a 3/16" hex key (Allen) wrench on the outside of the blade and a 1/2" box (or socket) wrench on the inside of the impeller. Hold the Allen wrench stationary and rotate the box (or socket) wrench to loosen the nut.

7. Install a replacement blade (Part No. 781-0490) with the hardware removed earlier or sharpen.

**IMPORTANT:** When sharpening the blade, protect hands by using gloves. Follow the original angle of grind and make sure to remove an equal amount from each blade.

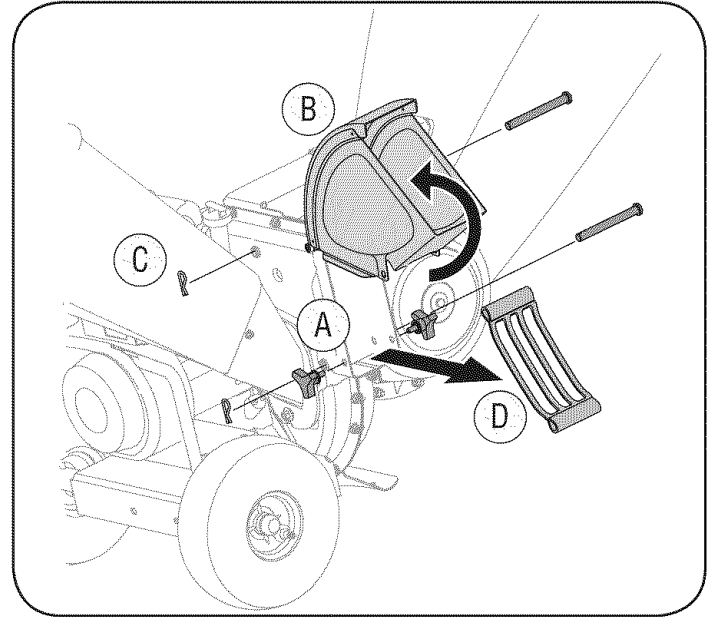


Figure 14

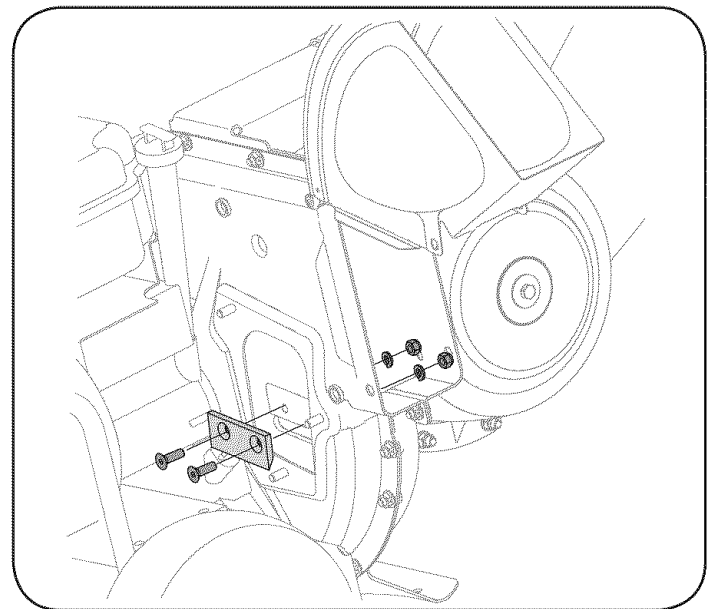


Figure 15

8. To replace the other blade, rotate the impeller to expose the second blade and repeat the steps above.

**NOTE:** Make certain blades are reassembled with the sharp edge facing upward. Torque hardware to 250 - 300 in. lbs.

## **⚠ WARNING**

The impeller's chipper blades and shredder blade are sharp. Wear leather work gloves to protect your hands.



# SERVICE AND MAINTENANCE

## SHARPENING OR REPLACING THE SHREDDER BLADE

1. Stop the engine and make certain that all moving parts have come to a complete stop.
2. Disconnect the spark plug wire and ground against the engine.
3. Lower the hopper assembly and block up the housing.
4. Remove the six hex lock nuts and flat washers from the weld studs on the flail housing. Retain the hardware.
5. Carefully separate the hopper assembly from the impeller assembly and remove the support plate.

**NOTE:** When reassembling the support plate, make certain the embossed tab faces inward towards the impeller.

6. Remove the two wing knobs that secure the chute deflector and raise the chute.
7. Insert a 1/2" or 3/4" diameter pipe through the flail screen into the impeller to keep it from turning or remove the flail screen and insert a piece of wood into the chute opening.
8.
  - a. Remove the two internal hex screws, lock washers, and hex lock nuts which secure the shredder blade to the impeller.
  - b. Remove the hex bolt, lock washer, and flat washer to completely free shredder blade. See Figure 16.

**NOTE:** Use a 3/16" hex key (Allen) wrench on the outside of the shredder blade and a 1/2" box (or socket) wrench on the inside of the shredder blade. Hold the Allen wrench stationary and rotate the box

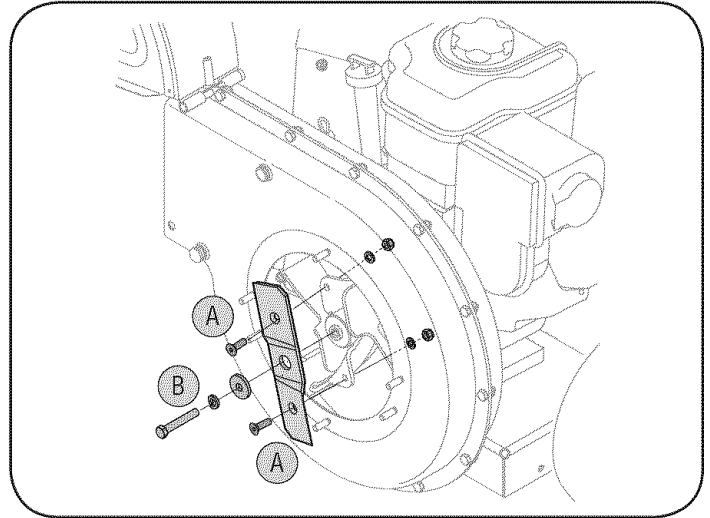


Figure 16

(or socket) wrench to loosen the nut. Use caution when removing the blade to avoid contacting the weld studs on housing.

**IMPORTANT:** When sharpening the blade, follow the original angle of grind as a guide. It is extremely important that each cutting edge receives an equal amount of grinding to prevent an unbalanced blade. An unbalanced blade will cause excessive vibration when rotating at high speeds and may cause damage to the unit. The blade can be tested by balancing it on a screwdriver or nail. Remove metal from the heavy side until it is balanced evenly.

## MAINTENANCE SCHEDULE

### ⚠ WARNING

Before performing any type of maintenance/service, disengage all controls and stop the engine. Wait until all moving parts have come to a complete stop. Disconnect spark plug wire and ground it against the engine to prevent unintended starting. Always wear safety glasses during operation or while performing any adjustments or repairs.

Follow the maintenance schedule given below. This chart describes service guidelines only. Use the Service Log column to keep track of completed maintenance tasks. **To locate the nearest Sears Service Center or to schedule service, simply contact Sears at 1-800-4-MY-HOME®.**

Interval	Item	Service	Service Log
Each Use	<ol style="list-style-type: none"> <li>1. Engine oil level</li> <li>2. Loose or missing hardware</li> <li>3. Unit and engine.</li> </ol>	<ol style="list-style-type: none"> <li>1. Check</li> <li>2. Tighten or replace</li> <li>3. Clean</li> </ol>	
1st 5 - 8 hours	<ol style="list-style-type: none"> <li>1. Engine oil</li> </ol>	<ol style="list-style-type: none"> <li>1. Change</li> </ol>	
25 hours	<ol style="list-style-type: none"> <li>1. Engine oil†</li> <li>2. Air cleaner/ Pre-cleaner</li> <li>3. Control linkages and pivots</li> </ol>	<ol style="list-style-type: none"> <li>1. Change</li> <li>2. Clean or replace</li> <li>3. Lube with light oil</li> </ol>	
50 hours	<ol style="list-style-type: none"> <li>1. Engine oil</li> </ol>	<ol style="list-style-type: none"> <li>1. Change</li> </ol>	
Annually or 100 hours	<ol style="list-style-type: none"> <li>1. Spark plug</li> </ol>	<ol style="list-style-type: none"> <li>1. Clean, replace, re-gap</li> </ol>	
Before Storage	<ol style="list-style-type: none"> <li>1. Fuel system</li> </ol>	<ol style="list-style-type: none"> <li>1. Run engine until it stops from lack of fuel or add a gasoline additive to the gas in the tank.</li> </ol>	

† Under heavy load or in high temperatures

# OFF-SEASON STORAGE

## **⚠ WARNING**

Never store chipper shredder with fuel in tank indoors or in poorly ventilated areas where fuel fumes may reach an open flame, spark, or pilot light as on a furnace, water heater, clothes dryer, or gas appliance.

### **PREPARING THE ENGINE**

For engines stored over 30 days:

1. To prevent gum from forming in fuel system or on carburetor parts, run engine until it stops from lack of fuel or add a gasoline additive to the gas in the tank. If you use a gas additive, run the engine for several minutes to circulate the additive through the carburetor—after which the engine and fuel can be stored up to six months.
2. While engine is still warm, change the oil.
3. Remove spark plug and pour approximately 1 oz. (30 ml) of clean engine oil into the cylinder. Pull the recoil starter several times to distribute the oil, and reinstall the spark plug.
4. Clean engine of surface debris.

### **PREPARING THE CHIPPER SHREDDER**

- When storing the chipper shredder in an unventilated or metal storage shed, care should be taken to rustproof the non-painted surfaces. Using a light oil or silicone, coat the equipment, especially any springs, bearings, and cables.
- Remove all dirt from exterior of engine and equipment.
- Follow lubrication recommendations.
- Store equipment in a clean, dry area. Do not store next to corrosive materials, such as fertilizer. Do not store in an area where equipment is present that may use a pilot light or has a component that can create a spark.

# TROUBLESHOOTING

## ⚠ WARNING

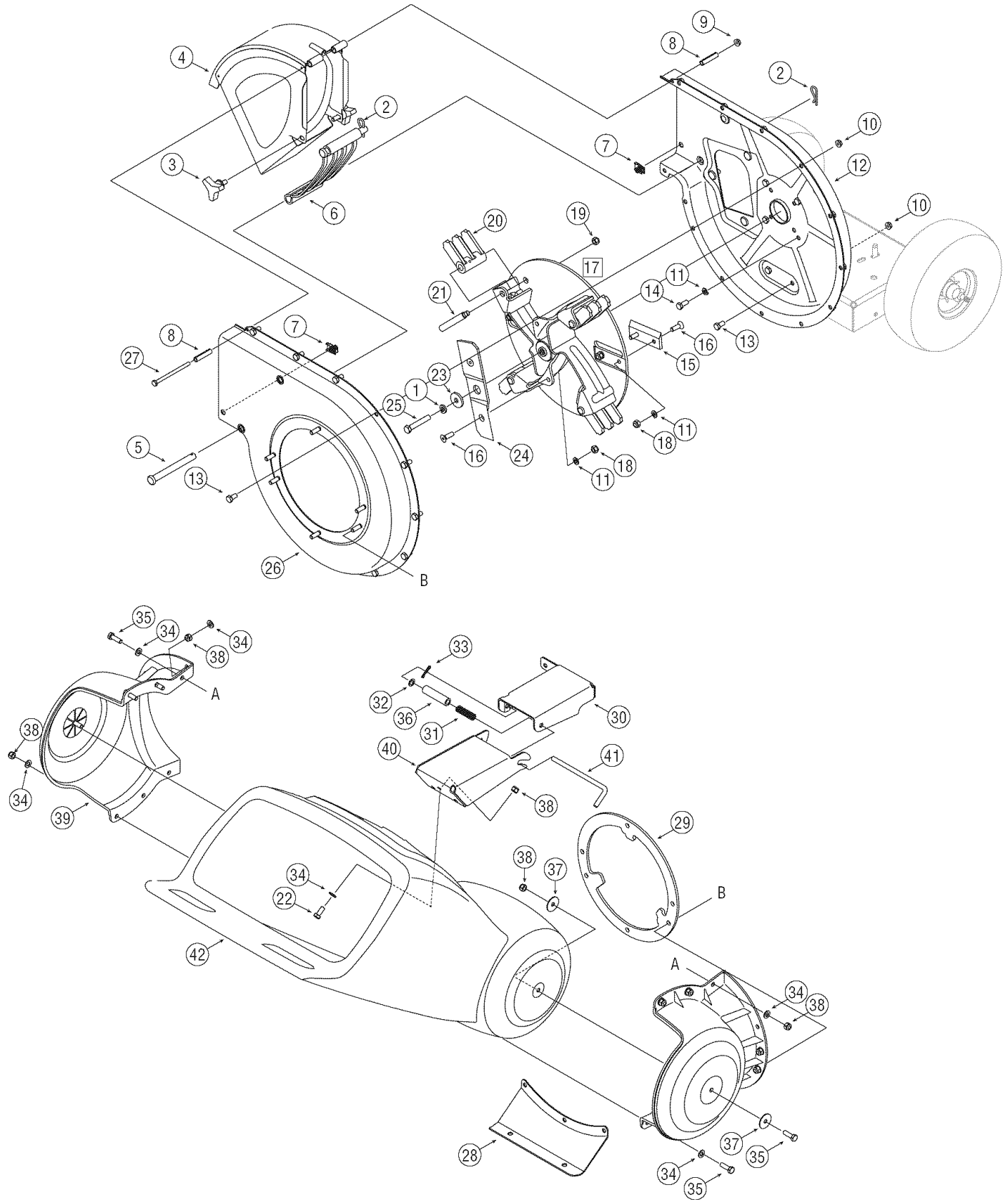
Before performing any type of maintenance/service, disengage all controls and stop the engine. Wait until all moving parts have come to a complete stop. Disconnect spark plug wire and ground it against the engine to prevent unintended starting. Always wear safety glasses during operation or while performing any adjustments or repairs.

This section addresses minor service issues. To locate the nearest Sears Service Center or to schedule service, simply contact Sears at 1-800-4-MY-HOME®.

Problem	Cause	Remedy
Engine fails to start	<ol style="list-style-type: none"> <li>1. Throttle lever not in correct starting position</li> <li>2. Choke not in ON position</li> <li>3. Spark plug wire disconnected</li> <li>4. Faulty spark plug</li> <li>5. Fuel tank empty or stale fuel</li> <li>6. Cannot pull recoil cord</li> <li>7. Engine flooded</li> </ol>	<ol style="list-style-type: none"> <li>1. Move throttle lever to START/RUN position.</li> <li>2. Move CHOKE to ON position.</li> <li>3. Connect wire to spark plug.</li> <li>4. Clean, adjust gap, or replace.</li> <li>5. Fill tank with clean, fresh gasoline.</li> <li>6. Obstruction lodged in impeller. Disconnect spark plug wire and remove lodged object.</li> <li>7. Wait a few minutes to restart.</li> </ol>
Engine runs erratically	<ol style="list-style-type: none"> <li>1. Unit running on CHOKE</li> <li>2. Spark plug wire loose</li> <li>3. Stale fuel</li> <li>4. Water or dirt in fuel system</li> <li>5. Dirty air cleaner</li> <li>6. Low engine RPM</li> <li>7. Carburetor out of adjustment</li> </ol>	<ol style="list-style-type: none"> <li>1. Move choke lever to OFF position.</li> <li>2. Connect and tighten spark plug wire.</li> <li>3. Fill tank with fresh gasoline.</li> <li>4. Drain fuel. Refill with fresh fuel.</li> <li>5. Clean or replace air cleaner filter.</li> <li>6. Always run engine at full throttle.</li> <li>7. Contact your Sears Parts &amp; Repair Center.</li> </ol>
Engine overheats	<ol style="list-style-type: none"> <li>1. Engine oil level low</li> <li>2. Air flow restricted</li> </ol>	<ol style="list-style-type: none"> <li>1. Fill engine with proper amount and type of oil.</li> <li>2. Clean debris from around the engine's cooling fins and blower housing.</li> </ol>
Engine hesitates at high RPMs	<ol style="list-style-type: none"> <li>1. Spark plug gap set too close</li> </ol>	<ol style="list-style-type: none"> <li>1. Remove spark plug and adjust gap.</li> </ol>
Engine idles poorly	<ol style="list-style-type: none"> <li>1. Fouled spark plug</li> <li>2. Dirty air cleaner</li> </ol>	<ol style="list-style-type: none"> <li>1. Replace spark plug and adjust gap.</li> <li>2. Replace air cleaner cartridge.</li> </ol>
Excessive vibration	<ol style="list-style-type: none"> <li>1. Loose parts or damaged impeller</li> </ol>	<ol style="list-style-type: none"> <li>1. Stop engine immediately and disconnect spark plug wire. Contact your Sears Parts &amp; Repair Center.</li> </ol>
Unit does not discharge	<ol style="list-style-type: none"> <li>1. Chute deflector clogged</li> <li>2. Foreign object lodged in impeller</li> <li>3. Low engine RPM</li> </ol>	<ol style="list-style-type: none"> <li>1. Stop engine immediately and disconnect spark plug wire. Clean flail screen and inside of discharge opening.</li> <li>2. Stop engine and disconnect spark plug wire. Remove lodged object.</li> <li>3. Always run engine at full throttle.</li> </ol>
Rate of discharge slows considerably or composition of discharged material changes	<ol style="list-style-type: none"> <li>1. Low engine RPM</li> <li>2. Chipper blade dull</li> </ol>	<ol style="list-style-type: none"> <li>1. Always run engine at full throttle.</li> <li>2. Replace chipper blade or contact your Sears Parts &amp; Repair Center.</li> </ol>

# PARTS LIST

Chipper Shredder — Model No. 247.776370



# PARTS LIST

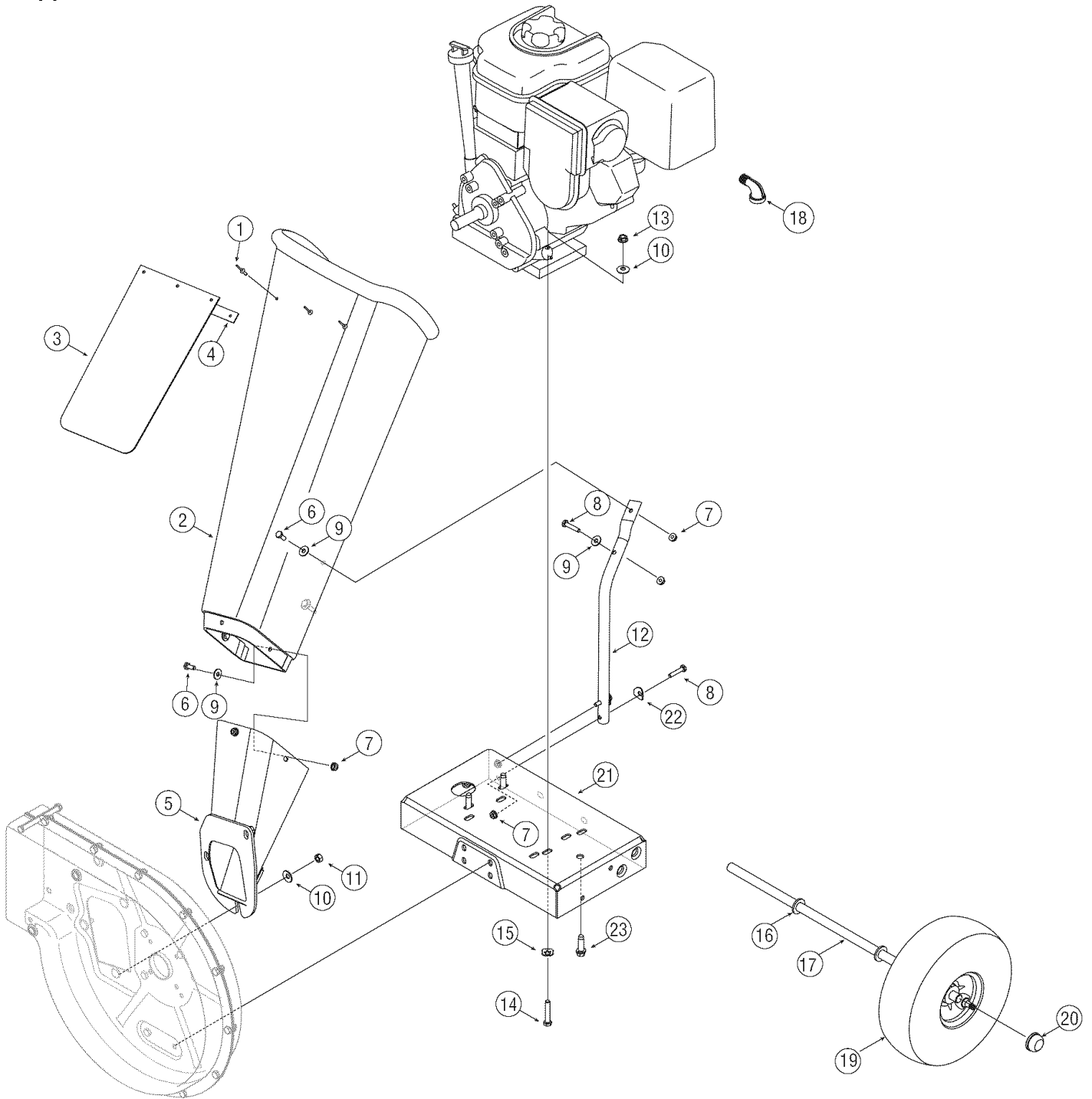
## Chipper Shredder — Model No. 247.776370

Ref. No.	Part No.	Description
1.	736-0217	Lock Washer, 3/8
2.	714-0149B	Cotter Pin
3.	681-0048	Wing Knob 5/16-18
4.	681-0094	Chute Deflector Assembly
5.	711-0835	Clevis Pin
6.	781-0457	Shredder Screen
7.	726-0211	U-Nut 5/16-18
8.	750-0793	Spacer
9.	712-3027	Hex Lock Nut, 1/4-20
10.	712-3004A	Hex Lock Nut 5/16-18
11.	736-0119	Lock Washer 5/16
12.	681-0117	Inner Impeller Housing Assembly
13.	710-3025	Hex Cap Screw 5/16-18 x.625
14.	710-0157	Hex Cap Screw 5/16-24 x.75
15.	781-0490	Chipper Blade
16.	710-1054	Hex Cap Screw 5/16-24 x 1.0
17.	681-04096	Impeller Assembly
18.	712-0411	Hex Lock Nut 5/16-24
19.	712-0266	Nut, Jam Lock, 3/8-16
20.	719-04308	Flail Blade
21.	738-04286	Shoulder Pin, .5 x 2.625

Ref. No.	Part No.	Description
22.	710-3008	Hex Cap Screw 5/16-18 x.75
23.	736-0247	Flat Washer 3/8 x 1.25
24.	742-0571	Shredder Blade
25.	710-1254	Hex Cap Screw 3/8-24 x 2.25
26.	681-0004A	Outer Impeller Housing Assembly
27.	710-0825	Hex Cap Screw 1/4-20 x 3.75
28.	781-0515	Front Support Bracket
29.	781-0574	Shredder Plate
30.	681-0104	Rear Hopper Bracket Assembly
31.	732-0306	Compression Spring 1.75
32.	736-0117	Flat Washer
33.	714-0104	Cotter Pin
34.	736-0264	Flat Washer.330 ID x.630 OD
35.	710-0376	Hex Cap Screw 5/16-18 x 1.0
36.	748-0453	Spacer,.375 ID x 2.50 LG
37.	736-0362	Flat Washer.320 ID x 1.25 OD
38.	712-0429	Hex Lock Nut 5/16-18
39.	731-1710A	Hopper Collar
40.	681-0123	Front Hopper Bracket Assembly
41.	711-1128	Lock Rod
42.	731-1707	Hopper Assembly

# PARTS LIST

Chipper Shredder — Model No. 247.776370



# PARTS LIST

## Chipper Shredder — Model No. 247.776370

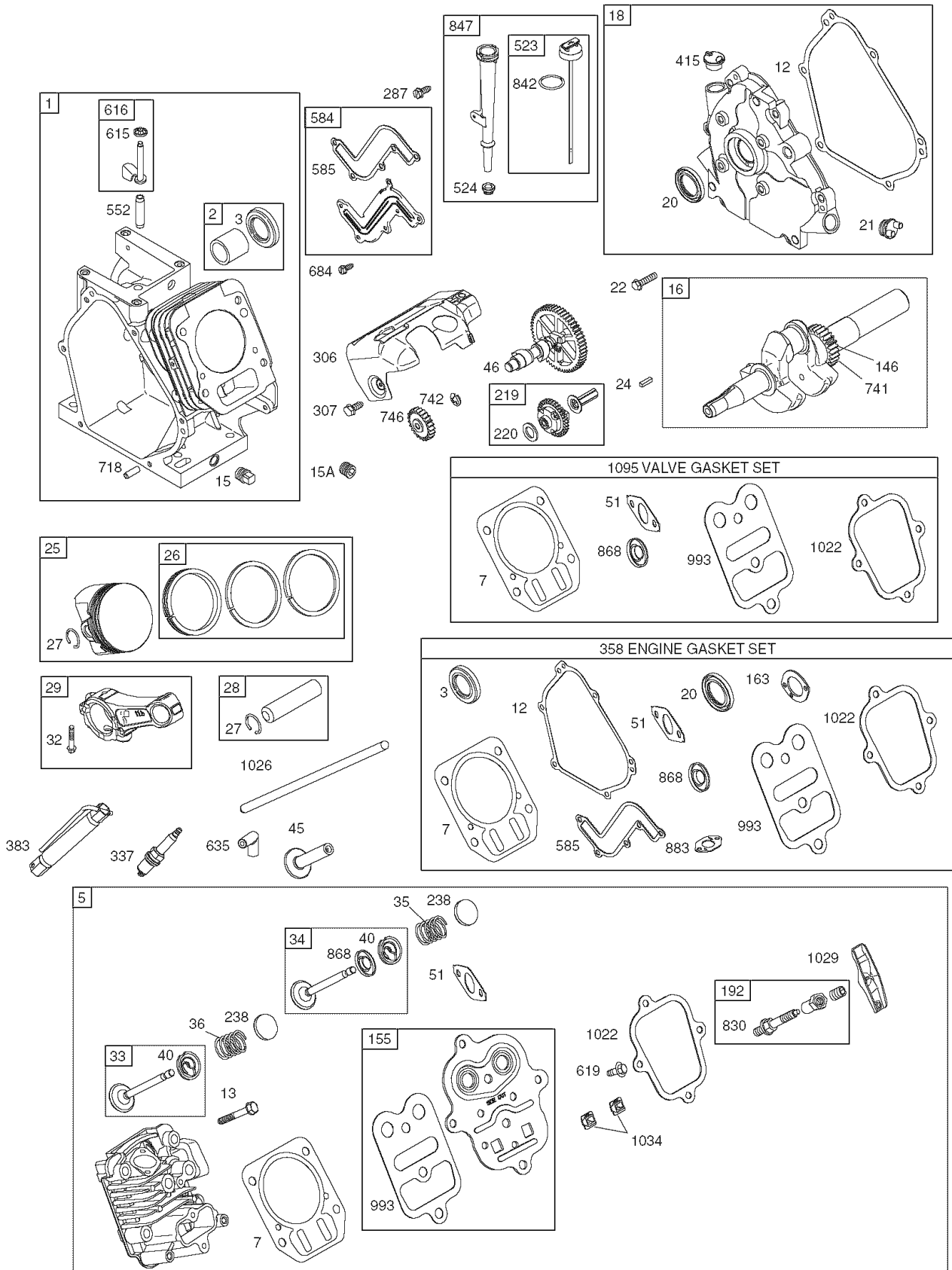
Ref. No.	Part No.	Description
1	728-0175	Pop Rivet
2	731-1899	Chipper Shredder Chute
3	735-0249	Chute Flap
4	781-0633	Chute Flap Strip
5	681-0068A	Chipper Chute Assembly
6	710-0751	Hex Cap Screw 1/4 -20 x.620
7	712-3027	Hex Lock Nut 1/4-20
8	710-0106	Hex Cap Screw 1/4-20 x 1.25
9	736-0173	Flat Washer.28 ID x.74 OD
10	736-0242	Bell Washer.340 ID x.872 OD
11	712-3010	Hex Nut 5/16-18
12	749-1004	Support Brace
13	712-3004A	Hex Lock Nut 5/16-18

Ref. No.	Part No.	Description
14	710-0805	Hex Cap Screw 5/16-18 x 1.50
15	736-0170	Bell Washer 5/16 x 1.0
16	736-0366	Flat Washer
17	738-0813	Axle Assembly
18	737-0195	Elbow Fitting
19	734-1845	Wheel Complete, 10.0 x 4.0 Gray
20	726-0214	Push Cap
21	681-0184A	Frame
22	736-0451	Washer,.320 ID x.93 OD
23	710-0502A	Screw, 3/8-16 x 1.250
24	723-0400	Safety Glasses (Not Shown)
25	664-04024	Chipper Bag Ass'y (Not Shown)

# PARTS LIST

Craftsman 1100 Series Engine Model No. 150112

For Chipper Shredder Model 247.776370



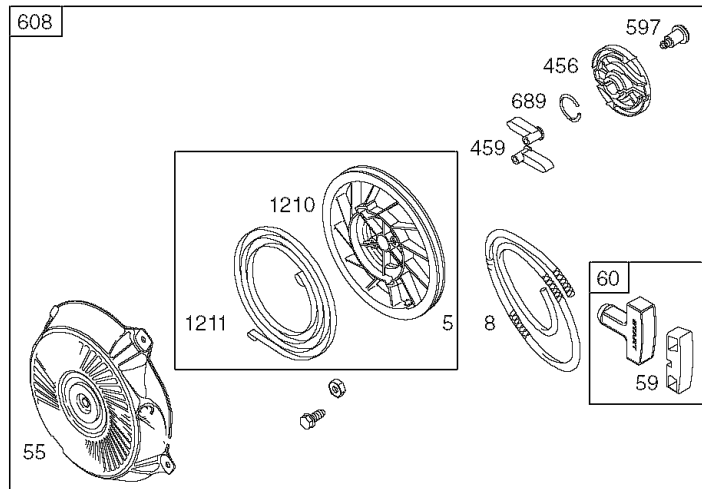
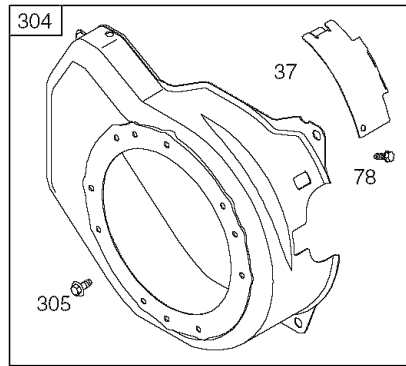
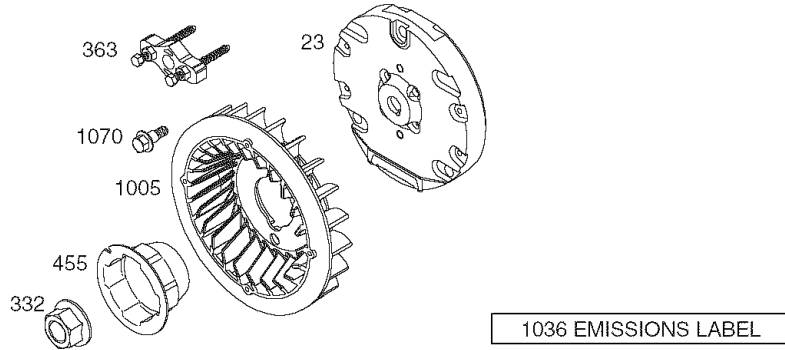




# PARTS LIST

Craftsman 1100 Series Engine Model No. 150112

For Chipper Shredder Model 247.776370



# PARTS LIST

**Craftsman 1100 Series Engine Model No. 150112**

**For Chipper Shredder Model 247.776370**

Ref. No.	Part No.	Description
1	794188	Cylinder Assembly
2	399269	Kit-Bushing/Seal (Magneto Side)
3	299819s†	Seal-Oil (Magneto Side)
5	791720	Head-Cylinder
7	791716†^	Gasket-Cylinder Head
11	790632	Tube-Breather
12	699485†	Gasket-Crankcase
13	699482	Screw (Cylinder Shield)
15	691682	Plug-Oil Drain
15A	691686	Plug-Oil Drain
16	792978	Crankshaft
18	699804	Cover-Crankcase
20	692550†	Seal-Oil (PTO Side)
21	281658s	Cap-Oil Fill
22	699478	Screw (Crankcase Cover/Sump)
23	699488	Flywheel
24	222698s	Key-Flywheel
25	791786	Piston Assembly (Standard)
	791791	Piston Assembly (.020" Oversize)
26	791787	Ring Set (Standard)
	791792	Ring Set (.020" Oversize)
27	690975	Lock-Piston Pin
28	690229	Pin-Piston
29	791783	Rod-Connecting
32	791784	Screw (Connecting Rod)
33	499642	Valve-Exhaust
34	499641	Valve-Intake

Ref. No.	Part No.	Description
35	691304	Spring-Valve (Intake)
36	691304	Spring-Valve (Exhaust)
37	699661	Guard-Flywheel
40	692194	Retainer-Valve
45	690977	Tappet-Valve
46	791177	Camshaft
48	N/A	Short Block
51	692555*†^‡	Gasket-Intake
55	691422	Housing-Rewind Starter
58	693389	Rope-Starter
59	490652	Insert-Grip
60	691915	Grip-Starter Rope
78	699205	Screw (Flywheel Guard)
95	691636	Screw (Throttle Valve)
97	690024	Shaft-Throttle
98	398185	Kit-Idle Speed
104	691242*	Pin-Float Hinge
108	695807	Valve-Choke
109	790624	Shaft-Choke
117	690048	Jet-Main (Standard)
118	498976	Jet-Main (High Altitude)
121	792006	Kit-Carburetor Overhaul
122	693749	Spacer-Carburetor
125	792970	Carburetor
127	691739*	Plug-Welch
130	691181	Valve-Throttle
133	398187	Float-Carburetor

# PARTS LIST

**Craftsman 1100 Series Engine Model No. 150112**

**For Chipper Shredder Model 247.776370**

Ref. No.	Part No.	Description
134	398188*	Kit-Needle/Seat
137	693981*‡	Gasket-Float Bowl
146	690979	Key-Timing
155	698214	Plate-Cylinder Head
161	790631	Base-Air Cleaner
163	696024*†‡	Gasket-Air Cleaner
186	692317	Connector-Hose
187	791874	Line-Fuel (Molded)
188	699479	Screw (Control Bracket)
190	699220	Screw (Fuel Tank)
192	694543	Ball-Rocker Arm
209	691278	Spring-Governor
209A	692571	Spring-Governor
219	693578	Gear-Governor
220	691724	Washer (Governor Gear)
222	793107	Bracket-Control
227	692573	Lever-Governor Control
238	691300	Cap-Valve
271	694256	Lever-Control
276	271716*	Washer-Sealing
281	793122	Panel-Control
287	699629	Screw (Dipstick Tube)
300	693593	Muffler
304	699598	Housing-Blower
305	699480	Screw (Blower Housing)
306	693610	Shield-Cylinder
307	699483	Screw (Cylinder Shield)
332	792723	Nut (Flywheel)
333	695711	Armature-Magneto

Ref. No.	Part No.	Description
334	699477	Screw (Magneto Armature)
337	491055s	Plug-Spark
356	695814	Wire-Stop
358	791797	Gasket Set-Engine
363	19069	Puller-Flywheel
365	699484	Screw (Carburetor)
383	19374s	Wrench-Spark Plug
415	693463	Plug
427	694255	Nut (Control Bracket)
445	491588s	Filter-Air Cleaner Cartridge
455	692591	Cup-Flywheel
456	692299	Plate-Pawl Friction
459	281505s	Pawl-Ratchet
504	694254	Washer Set
505	691251	Nut (Governor Control Lever)
523	693618	Dipstick
524	281370s	Seal-Dipstick Tube
552	692346	Bushing-Governor Crank
562	691119	Bolt (Governor Control Lever)
584	791759	Cover-Breather Passage
585	791760†	Gasket-Breather Passage
597	691696	Screw (Pawl Friction Plate)
601	791850	Hose-Clamp
608	693394	Starter-Rewind
613	791972	Screw (Muffler)
615	692576	Retainer-Governor Shaft
616	692547	Crank-Governor
619	699480	Screw (Cylinder Head Plate)
621	692310	Switch-Stop

# PARTS LIST

## Craftsman 1100 Series Engine Model No. 150112

### For Chipper Shredder Model 247.776370

Ref. No.	Part No.	Description
632	693408	Spring/Link Mechanical Governor
633	691321*‡	Seal-Choke/Throttle Shaft
633A	693867*‡	Seal-Choke/Throttle Shaft
635	692076	Boot-Spark Plug
663	699206	Screw (Control Panel)
668	694257	Spacer
684	793369	Screw (Breather Passage Cover)
689	691855	Spring-Friction
692	690572	Spring-Detent
718	690959	Pin-Locating
741	695087	Gear-Timing
742	692564	Retainer-E Ring
746	790280	Gear-Idler
773	694258	Retainer
830	694544	Stud-Rocker Arm
832	693583	Guard-Muffler
836	699632	Screw (Muffler Guard)
836A	699203	Screw (Muffler Guard)
842	691031	Seal-O Ring (Dipstick Tube)
847	693617	Dipstick/Tube Assembly
851	493880s	Terminal-Spark Plug
868	692044†^	Seal-Valve
883	691893†	Gasket-Exhaust
914	699480	Screw (Rocker Cover)(Bottom)
914A	692557	Screw (Rocker Cover)(Top)
914B	697551	Screw (Rocker Cover)(Center)
951	790630	Lever-Choke

Ref. No.	Part No.	Description
957	694261	Cap-Fuel Tank
967	493537s	Filter-Pre Cleaner
968	790633	Cover-Air Cleaner
971	690370	Screw (Air Cleaner Base)
972	694260	Tank-Fuel
975	790559	Bowl-Float
977	697001	Gasket Set-Carburetor
993	694088†^	Gasket-Cylinder Head Plate
1005	794273	Fan-Flywheel
1022	691890†^	Gasket-Rocker Cover
1023	499924	Cover-Rocker
1026	790287	Rod-Push
1029	691230	Arm-Rocker
1034	691343	Guide-Push Rod
1036		Label-Emissions (Available from a Briggs & Stratton authorized Service Dealer)
1058	MS3797	Operator's Manual
1070	699201	Screw (Flywheel Fan)
1095	791798	Gasket Set-Valve
1210	498144	Pulley/Spring Assembly (Pulley)
1211	498144	Pulley/Spring Assembly (Spring)
1319	794467	Warning Label
1329	1501120408	Replacement Engine (Replacement engine listed is not available in the State of California. Repair with individual parts.)
1330	272147	Repair Manual

† Included in Engine Gasket Set, Key. No. 358

\* Included in Carburetor Overhaul Kit, Key. No. 121

‡ Included in Carburetor Gasket Set, Key. No. 977

^ Included in Valve Gasket Set, Key. No. 1095

(This page applicable in the U.S.A. and Canada only.)

**Sears, Roebuck and Co., U.S.A. (Sears), the California Air Resources Board (CARB)  
and the United States Environmental Protection Agency (U.S. EPA)  
Emission Control System Warranty Statement (Owner's Defect Warranty Rights and Obligations)**

EMISSION CONTROL WARRANTY COVERAGE IS APPLICABLE TO CERTIFIED ENGINES PURCHASED IN CALIFORNIA IN 1995 AND THEREAFTER, WHICH ARE USED IN CALIFORNIA, AND TO CERTIFIED MODEL

YEAR 1997 AND LATER ENGINES WHICH ARE PURCHASED AND USED ELSEWHERE IN THE UNITED STATES (AND AFTER JANUARY 1, 2001 IN CANADA).

**California and United States Emission Control Defects Warranty Statement**

The California Air Resources Board (CARB), U.S. EPA and Sears are pleased to explain the Emission Control System Warranty on your model year 2000 and later small off-road engine (SORE). In California, new small off-road engines must be designed, built and equipped to meet the State's stringent anti-smog standards. Elsewhere in the United States, new non-road, spark-ignition engines certified for model year 1997 and later must meet similar standards set forth by the U.S. EPA. Sears must warrant the emission control system on your

engine for the periods of time listed below, provided there has been no abuse, neglect or improper maintenance of your small off-road engine. Your emission control system includes parts such as the carburetor, air cleaner, ignition system, muffler and catalytic converter. Also included may be connectors and other emission related assemblies. Where a warrantable condition exists, Sears will repair your small off-road engine at no cost to you including diagnosis, parts and labor.

**Sears Emission Control Defects Warranty Coverage**

Small off-road engines are warranted relative to emission control parts defects for a period of one year, subject to provisions set forth below. If any covered

part on your engine is defective, the part will be repaired or replaced by Sears.

**Owner's Warranty Responsibilities**

As the small off-road engine owner, you are responsible for the performance of the required maintenance listed in your Operating and Maintenance Instructions. Sears recommends that you retain all your receipts covering maintenance on your small off-road engine, but Sears cannot deny warranty solely for the lack of receipts or for your failure to ensure the performance of all scheduled maintenance. As the small off-road engine owner, you should however be aware that Sears may deny you warranty coverage if your small off-road engine or a part has failed due to abuse, neglect, improper maintenance or unap-

proved modifications. You are responsible for presenting your small off-road engine to an Authorized Sears Service Dealer as soon as a problem exists. The undisputed warranty repairs should be completed in a reasonable amount of time, not to exceed 30 days. If you have any questions regarding your warranty rights and responsibilities, you should contact a Sears Service Representative at 1-800-469-4663. The emission warranty is a defects warranty. Defects are judged on normal engine performance. The warranty is not related to an in-use emission test.

**Sears Emission Control Defects Warranty Provisions**

The following are specific provisions relative to your Emission Control Defects Warranty Coverage. It is in addition to the Sears engine warranty for non-regulated engines found in the Operating and Maintenance Instructions.

**1. Warranted Parts**

Coverage under this warranty extends only to the parts listed below (the emission control systems parts) to the extent these parts were present on the engine purchased.

- a. Fuel Metering System
  - Cold start enrichment system
  - Carburetor and internal parts
  - Fuel Pump
- b. Air Induction System
  - Air cleaner
  - Intake manifold
- c. Ignition System
  - Spark plug(s)
  - Magneto ignition system
- d. Catalyst System
  - Catalytic converter
  - Exhaust manifold
  - Air injection system or pulse valve
- e. Miscellaneous Items Used in Above Systems
  - Vacuum, temperature, position, time sensitive valves and switches
  - Connectors and assemblies

**2. Length of Coverage**

Sears warrants to the initial owner and each subsequent purchaser that the Warranted Parts shall be free from defects in materials and workmanship which caused the failure of the Warranted Parts for a period of one year from the date the engine is delivered to a retail purchaser.

**3. No Charge**

Repair or replacement of any Warranted Part will be performed at no charge to the owner, including diagnostic labor which leads to the determination that a Warranted Part is defective, if the diagnostic work is performed at an Authorized Sears Service Dealer. For emissions warranty service contact your nearest Authorized Sears Service Dealer as listed in the "Yellow Pages" under "Engines, Gasoline," "Gasoline Engines," "Lawn Mowers," or similar category.

**4. Claims and Coverage Exclusions**

Warranty claims shall be filed in accordance with the provisions of the Sears Engine Warranty Policy. Warranty coverage shall be excluded for failures of Warranted Parts which are not original Sears parts or because of abuse, neglect or improper maintenance as set forth in the Sears Engine Warranty Policy. Sears is not liable to cover failures of Warranted Parts caused by the use of add-on, non-original, or modified parts.

**5. Maintenance**

Any Warranted Part which is not scheduled for replacement as required maintenance or which is scheduled only for regular inspection to the effect of "repair or replace as necessary" shall be warranted as to defects for the warranty period. Any Warranted Part which is scheduled for replacement as required maintenance shall be warranted as to defects only for the period of time up to the first scheduled replacement for that part. Any replacement part that is equivalent in performance and durability may be used in the performance of any maintenance or repairs. The owner is responsible for the performance of all required maintenance, as defined in the Sears Operating and Maintenance Instructions.

**6. Consequential Coverage**

Coverage hereunder shall extend to the failure of any engine components caused by the failure of any Warranted Part still under warranty.

In the USA and Canada, a 24 hour hot line, **1-800-469-4663**, has a menu of pre-recorded messages offering you engine maintenance information.

## Look For Relevant Emissions Durability Period and Air Index Information On Your Engine Emissions Label

Engines that are certified to meet the California Air Resources Board (CARB) Tier 2 Emission Standards must display information regarding the Emissions Durability Period and the Air Index. Sears, Roebuck and Co., U.S.A. makes this information available to the consumer on our emission labels.

The Emissions Durability Period describes the number of hours of actual running time for which the engine is certified to be emissions compliant, assuming proper maintenance in accordance with the Operating & Maintenance Instructions. The following categories are used:

**Moderate:** Engine is certified to be emission compliant for 125 hours of actual engine running time.

**Intermediate:** Engine is certified to be emission compliant for 250 hours of actual engine running time.

**Extended:** Engine is certified to be emission compliant for 500 hours of actual engine running time.

For example, a typical walk-behind lawn mower is used 20 to 25 hours per year. Therefore, the **Emissions Durability Period** of an engine with an **intermediate** rating would equate to 10 to 12 years.

The **Air Index** is a calculated number describing the relative level of emissions for a specific engine family. The lower the **Air Index**, the cleaner the engine. This information is displayed in graphical form on the emissions label.

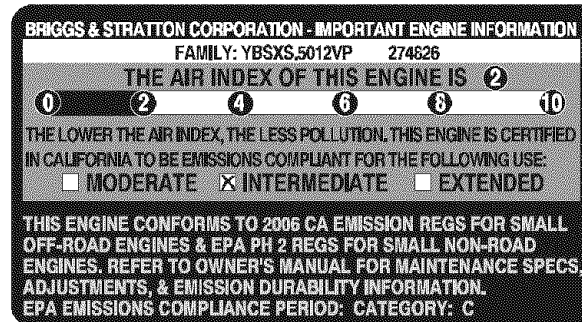
### After July 1, 2000, Look For Emissions Compliance Period On Engine Emissions Compliance Label

After July 1, 2000 certain Sears, Roebuck and Co., U.S.A. engines will be certified to meet the United States Environmental Protection Agency (USEPA) Phase 2 emission standards. For Phase 2 certified engines, the Emissions Compliance Period referred to on the Emissions Compliance label indicates the number of operating hours for which the engine has been shown to meet Federal emission requirements.

For engines less than 225 cc displacement, Category C = 125 hours, B = 250 hours and A = 500 hours.

For engines of 225 cc or more, Category C = 250 hours, B = 500 hours and A = 1000 hours.

This is a generic representation of the emission label typically found on a certified engine.



# ÍNDICE

Declaración de garantía .....	Página 36	Servicio y Mantenimiento .....	Páginas 48-53
Acuerdo de Protección Para		Almacenamiento fuera de temporada....	Página 54
Reparaciones.....	Página 37	Solución de problemas .....	Página 55-56
Prácticas operación seguras.....	Páginas 38-39	Etiquetas de seguridad.....	Página 7
Montaje .....	Páginas 40-43	Lista de piezas.....	Página 24
Operación .....	Páginas 44-47	Número de servicio .....	Cubierta posterior

# GARANTÍA

## Garantía completa de un año para la Cortadora Trituradora Craftsman

Este equipo está cubierto por una garantía de un año, siempre que se mantenga, lubrique y ajuste de acuerdo con las instrucciones del presente manual del operador. Durante el año de garantía, si este equipo sufre cualquier falla producida por defectos en materiales o mano de obra, DEVUÉLVALO A SU CENTRO DE PARTES & REPARACIÓN SEARS MÁS CERCANO, y Sears lo reparará sin ningún cargo. El servicio de garantía a domicilio está disponible pero se aplicará un cargo de traslado.

### Esta garantía no cubre:

- Artículos de duración limitada que sufren desgaste bajo condiciones normales de uso, tales como bujías de encendido, purificadores de aire, y láminas.
- Reemplazo o reparaciones de llantas causadas por pinchaduras con objetos exteriores como, por ejemplo, clavos, espinas, palos o vidrios, etc.
- Reparaciones necesarias debido a abuso del operador, incluyendo, pero sin limitarse a ellos, los daños causados por objetos, tales como piedras, desechos de metal o trozos de madera de un tamaño demasiado grande, objetos que hacen impacto que pueden doblar la estructura o el cárter, o sobreacelerar el motor.
- Reparaciones necesarias debido a negligencia del operador, incluyendo entre otros, daños mecánico y eléctrico ocasionado por un almacenamiento no apropiado, falla por el uso de aceite de grado y/o cantidad no apropiada o falla por no dar mantenimiento al equipo de acuerdo con las instrucciones contenidas en el manual del operador.
- Limpieza o reparaciones al motor (sistema de combustible) provocadas por un combustible contaminado u oxidado (viejo). En general, el combustible debe utilizarse en un período no mayor de 30 días a partir de su adquisición.
- Equipos utilizados para fines comerciales o de alquiler.

Esta garantía sólo tendrá validez durante 90 días si este producto se utiliza en cualquier momento para fines comerciales o de alquiler.

Esta garantía sólo tendrá validez mientras el producto se utilice en los Estados Unidos.

Esta garantía le otorga derechos legales específicos, pero usted podría gozar de otros derechos en razón de su lugar de residencia.

Sears, Roebuck and Co., Hoffman Estates, IL 60179

## ESPECIFICACIONES DEL PRODUCTO

Serie:	1100
Tipo de aceite del motor:	SAE 30
Capacidad de aceite del motor:	20 onzas
El combustible:	Gasolina sin Plomo
Bujías:	Champion® RC-12YC
Separación de las bujías:	.030"

## NÚMERO DE MODELO

Número de modelo .....

Número de serie .....

Fecha de compra .....

Registre arriba el número del modelo, el número de serie y la fecha de compra



# ACUERDO DE PROTECCIÓN PARA REPARACIONES

Felicitaciones por haber realizado una adquisición inteligente. El producto Craftsman® que ha adquirido está diseñado y fabricado para brindar muchos años de funcionamiento confiable. Pero como todos los productos a veces puede requerir de reparaciones. Es en ese momento cuando el disponer de un Acuerdo de protección para reparaciones le puede ahorrar dinero y problemas.

A continuación se detallan los puntos incluidos en el Acuerdo:

- **Servicio experto** prestado por nuestros 12,000 especialistas en reparaciones profesionales
- **Servicio ilimitado sin cargo** para las piezas y la mano de obra en todas las reparaciones cubiertas
- **Reemplazo del producto** si no es posible reparar el producto cubierto
- **Descuento de 10%** del precio normal del servicio y de las piezas relacionadas con el mismo que no estén cubiertas por el acuerdo; además, 10% del precio normal de la verificación de mantenimiento preventivo
- **Ayuda rápida por teléfono** - asistencia telefónica a cargo de un

técnico de Sears para los productos que requieren reparación a domicilio, además de una programación conveniente para la reparación

Una vez adquirido el Acuerdo, puede programar el servicio con tan sólo realizar una llamada telefónica. Puede llamar en cualquier momento del día o de la noche o programar un servicio en línea. Sears dispone de más de 12.000 especialistas en reparaciones profesionales que tienen acceso a más de 4.5 millones de piezas y accesorios de buena calidad. Este es el tipo de profesionalismo en el que puede confiar para que le ayude a prolongar la vida útil del producto recientemente adquirido en los años por venir. ¡Adquiera hoy su acuerdo de protección para reparaciones!

**Se aplican determinadas limitaciones y exclusiones. Para obtener información adicional y precios llame al 1-800-827-6655.**

## **Servicio de instalación de Sears**

Si desea solicitar la instalación profesional de Sears de aparatos domésticos, dispositivos para abrir portones, calentadores de agua y otros artículos domésticos importantes, en los Estados Unidos llame al **1-800-4-MY-HOME®**.

# INSTRUCCIONES DE SEGURIDAD

## ⚠️ ADVERTENCIA



La presencia de este símbolo indica que se trata de instrucciones importantes de seguridad que se deben respetar para evitar poner en peligro su seguridad personal y/o material y la de otras personas. Lea y siga todas las instrucciones de este manual antes de poner en funcionamiento esta máquina. Si no respeta estas instrucciones podría provocar lesiones personales. Cuando vea este símbolo, ¡preste atención a la advertencia!

**Su responsabilidad:** Restrinja el uso de esta máquina motorizada a las personas que lean, comprendan y respeten las advertencias e instrucciones que aparecen en este manual y en la máquina.

## ⚠️ PELIGRO

Esta máquina fue construida para ser operada de acuerdo con las reglas de seguridad contenidas en este manual. Al igual que con cualquier tipo de equipo motorizado, un descuido o error por parte del operador puede producir lesiones graves. Esta máquina es capaz de amputar manos y pies y de arrojar objetos con gran fuerza. De no respetar las instrucciones de seguridad siguientes se pueden producir lesiones graves o la muerte.

## ⚠️ ADVERTENCIA

El escape del motor de este producto, algunos de sus componentes y algunos componentes del vehículo contienen o liberan sustancias químicas que el estado de California considera que pueden producir cáncer, defectos de nacimiento u otros problemas reproductivos.

## CAPACITACIÓN

- Lea, entienda y cumpla todas las instrucciones incluidas en la máquina y en los manuales antes de montarla y utilizarla. Guarde este manual en un lugar seguro para consultas futuras y regulares, así como para solicitar repuestos.
- Familiarícese con todos los controles y su operación adecuada. Sepa cómo detener la máquina y cómo desenganar los controles rápidamente.
- No permita nunca que los niños menores de 16 años utilicen esta máquina. Los niños de 16 años y más mayores deben leer y comprender las instrucciones de operación y las reglas de seguridad contenidas en este manual, y también deben ser capacitados y estar supervisados por uno de los padres.
- Nunca permita que los adultos operen esta máquina sin recibir antes la instrucción apropiada.
- Mantenga a los transeúntes, ayudantes, mascotas y niños al menos a 75 pies de la máquina mientras está operando. Detenga la máquina si alguien entra en la zona.
- Nunca encienda un motor en espacios cerrados o en una zona con poca ventilación. El escape del motor contiene monóxido de carbono, un gas inodoro y letal.
- No ponga las manos o los pies cerca de las piezas rotatorias o en las cámaras de alimentación ni en la abertura de descarga. El contacto con el motor rotatorio puede producir la amputación de dedos, manos o pies.
- Nunca trate de destapar la toma de alimentación o la abertura de descarga, ni trate de sacar o vaciar la bolsa de la cortadora, ni de revisar y reparar la máquina mientras el motor está en marcha. Apague el motor y espere hasta que todas las piezas móviles se hayan detenido por completo. Desconecte el cable de la bujía y póngalo de manera que haga masa contra el motor.

## PREPARATIVOS

- Inspeccione minuciosamente el área donde utilizará el equipo. Retire todas las piedras, botellas, latas u otros objetos extraños que puedan ser levantados o arrojados causando lesiones personales o daños a la máquina.
- Para protegerse los ojos utilice siempre anteojos o antiparras de seguridad mientras opera la máquina o mientras la ajusta o repara. Los objetos arrojados que rebotan pueden lesionar gravemente la vista.
- Utilice zapatos de trabajo resistentes, de suela fuerte, así como pantalones y camisas ajustados. Las prendas sueltas o las alhajas pueden quedar atrapadas en las piezas móviles. Nunca utilice la máquina descalzo o con sandalias. Utilice guantes de trabajo de cuero cuando alimente material por el canal de la cortadora.
- Antes de encender la máquina controle que todos los pernos y tornillos estén bien ajustados para comprobar que la máquina se encuentra en condiciones seguras de operación. Además, realice una inspección visual de la máquina a intervalos frecuentes para controlar si la misma está dañada.
- Mantenga o reemplace las etiquetas de seguridad e instrucciones según sea necesario.
- Para evitar lesiones personales o daños materiales sea sumamente cuidadoso al manipular la gasolina. La gasolina es altamente inflamable y sus vapores pueden causar explosiones. Se puede lesionar gravemente si derrama gasolina sobre usted o sobre la ropa ya que se puede encender. Lávese la piel y cámbiese de ropa de inmediato.
- Utilice sólo recipientes para gasolina autorizados.
- Apague todos los cigarrillos, cigarros, pipas y otras fuentes de combustión.
- Nunca cargue combustible en la máquina en un espacio cerrado.
- Nunca saque la tapa del gas ni agregue combustible mientras el motor está caliente o en marcha.
- Deje que el motor se enfríe por lo menos dos minutos antes de volver a cargar combustible.
- Nunca recargue el tanque de combustible. Llene el tanque no más de 1/2 pulgada por debajo de la base del cuello del filtro para dejar espacio para la dilatación del combustible.
- Vuelva a colocar la tapa de la gasolina y ajústela bien.
- Limpie la gasolina derramada sobre el motor y el equipo. Traslade la máquina a otra zona. Espere 5 minutos antes de encender el motor.
- Nunca almacene la máquina o el recipiente de combustible en un espacio cerrado donde haya fuego, chispas o luz piloto (por ejemplo, hornos, calentadores de agua, calefactores, secadores de ropa, etc.)
- Para reducir el riesgo de incendio mantenga la máquina limpia de pasto, hojas y de acumulación de otros desechos. Limpie los derrames de aceite o combustible y saque todos los desechos embebidos con combustible.
- Deje que la máquina se enfríe por lo menos 5 minutos antes de guardarla.

# INSTRUCCIONES DE SEGURIDAD

## OPERACIÓN

- No ponga las manos o los pies cerca de las piezas rotatorias o en las cámaras de alimentación ni en la abertura de descarga. El contacto con el motor rotatorio puede producir la amputación de dedos, manos o pies.
- Antes de encender la máquina compruebe que el canal de la cortadora, la toma de alimentación y la cámara de corte están vacías y sin desechos.
- Inspeccione minuciosamente todo el material que desea triturar y saque los objetos metálicos, piedras, botellas, latas u otros objetos extraños que pueden ocasionar lesiones o dañar la máquina.
- Si se hace necesario empujar el material por el saltador de desfibradora, use un pequeño palo de diámetro. No use sus manos o pies.
- Si el motor golpea un objeto extraño o si la máquina empieza a producir un sonido poco común o una vibración, apague el motor de inmediato. Deje que el motor se detenga por completo. Desconecte el cable de la bujía, póngalo de manera que haga masa contra el motor y siga estos pasos:
  1. Inspeccione la máquina para ver si está dañada.
  2. Repare o reemplace las piezas dañadas.
  3. Controle si hay piezas flojas y ajústelas para asegurar que la máquina funcione de manera segura y continua.
- No permita que se acumule material procesado en la zona de descarga. El mismo puede obstaculizar la descarga adecuada y provocar el retorno del material a través de la abertura de alimentación.
- No intente triturar ni picar material de mayor tamaño al especificado en la máquina o en este manual. Se podrían producir lesiones o daños.
- Nunca trate de destapar la toma de alimentación o la abertura de descarga mientras el motor está en marcha. Apague el motor y espere hasta que todas las piezas que se mueven se hayan detenido por completo, desconecte el cable de la bujía y póngalo de manera que haga masa contra el motor antes de sacar los escombros.
- Nunca opere la máquina sin que la bolsa de la cortadora y el canal de descarga estén conectados a la máquina como corresponde. Nunca vacíe ni cambie la bolsa de la cortadora mientras el motor está en marcha. El extremo con cierre de la bolsa de la cortadora debe quedar cerrado todo el tiempo mientras la opera.
- Nunca funcione sin el saltador de desfibradora, chipper tolva, o tolva deflector correctamente atado a la máquina. Nunca váciase o cambie chipper bolso mientras el motor corre.
- Mantenga todos los protectores, desviadores y dispositivos de seguridad en su lugar y en buenas condiciones.
- Mientras alimenta material dentro de la máquina mantenga su rostro y su cuerpo detrás y hacia un costado del canal de la cortadora para evitar lesiones por retrocesos accidentales.
- Nunca opere esta máquina sin buena visibilidad o iluminación.
- No haga funcionar esta máquina en un pavimentado, grava, o no nivele la superficie.
- No opere esta máquina estando bajo los efectos del alcohol o de drogas.
- El silenciador y el motor se calientan y pueden producir quemaduras. No los toque.
- Nunca levante o transporte la máquina cuando el motor está encendido.

## MANTENIMIENTO Y ALMACENAMIENTO

- Nunca manipule los dispositivos de seguridad de manera imprudente. Controle periódicamente que funcionen de forma adecuada.
- Controle frecuentemente que todos los pernos y tornillos estén bien ajustados para comprobar que la máquina se encuentra en condiciones seguras de funcionamiento. Además, realice una inspección visual de la máquina para controlar si la misma está dañada y repárela de ser necesario.
- Antes de limpiar, reparar o inspeccionar la máquina, detenga el motor y compruebe que el mismo y que todas las piezas móviles se hallan detenidos. Desconecte el cable de la bujía y póngalo de manera que haga masa contra el motor para evitar que se encienda de manera accidental.
- No cambie la configuración del regulador del motor ni acelere demasiado el mismo. El regulador controla la velocidad máxima segura de operación del motor.
- Mantenga o reemplace las etiquetas de seguridad e instrucciones según sea necesario.
- Siga las instrucciones de este manual para cargar, descargar, transportar y almacenar de manera segura esta máquina.
- Nunca almacene la máquina o el recipiente de combustible en un espacio cerrado donde haya fuego, chispas o luz piloto como por ejemplo, calentadores de agua, hornos, secadores de ropa, etc.
- Consulte siempre el manual del operador para conocer las instrucciones adecuadas para el almacenamiento fuera de temporada.
- Si debe vaciar el tanque de combustible, hágalo al aire libre.
- Respete las normas referentes a la disposición correcta y las regulaciones sobre gas, combustible, etc. para proteger el medio ambiente.

### No modifique el motor

Para evitar lesiones graves o la muerte, no modifique el motor bajo ninguna circunstancia. Si cambia la configuración del regulador el motor puede descontrolarse y operar a velocidades inseguras. Nunca cambie la configuración de fábrica del regulador del motor.

# MONTAJE

**IMPORTANTE:** Esta unidad se envía sin gasolina ni aceite en el motor. Antes de operar la máquina cargue el motor con gasolina y aceite como se indica en el manual separado del mismo.

**NOTA:** Las referencias a los lados derecho e izquierdo de la aspiradora para patios se hacen observando la máquina desde la posición de operación.

## APERTURA DE LA CAJA DE CARTÓN

1. Corte cada una de las esquinas de la caja verticalmente, de la parte superior a la base.
2. Saque todas las piezas sueltas.
3. Quite el material de empaque suelto.

## CÓMO SACAR LA UNIDAD DE LA CAJA

1. Eleve la unidad desde la parte posterior para separarla del material de la caja que quede debajo, y haga rodar la unidad fuera de la caja.
2. Verifique cuidadosamente si en la caja queda alguna parte suelta.

## PIEZAS SUeltas DENTRO DE LA CAJA

- Montaje de tolva
- Bolsa
- Canal deflector
- Anteojos de seguridad
- Canal de la cortadora
- Aceite de motor

## INSTALACIÓN DE LA TOLVA MONTAJE

1. a. Saque seis tuercas hexagonales y arandelas de los espárragos de la soldadura de la caja del motor. No saque la placa de sostén. Vea la Figura 1.  
b. Coloque el montaje de la tolva en posición delante de la caja del motor, alineando los agujeros del montaje del aro de la tolva con los espárragos de la soldadura.  
c. Deslice el montaje de la tolva sobre los espárragos de la soldadura y vuelva a colocar las arandelas y las tuercas hexagonales. No las ajuste por completo.
2. a. Levante el montaje de la tolva hasta el montaje del soporte de motor.  
b. Deslice la varilla de liberación hacia afuera levemente para enganchar el soporte de tolva en la varilla. Vea la Figura 2.  
c. Ajuste las seis tuercas hexagonales que unen el montaje de la tolva a la caja del motor y ajuste también las arandelas hexagonales que unen el soporte de la tolva al montaje de la misma.

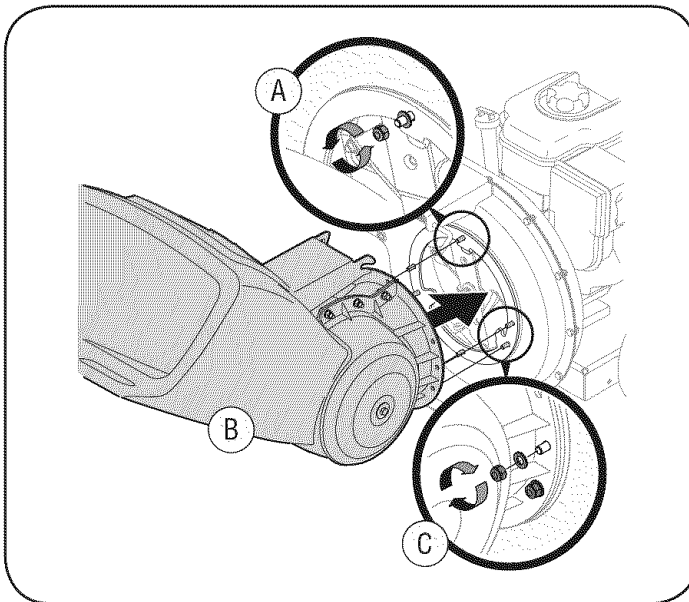


Figura 1

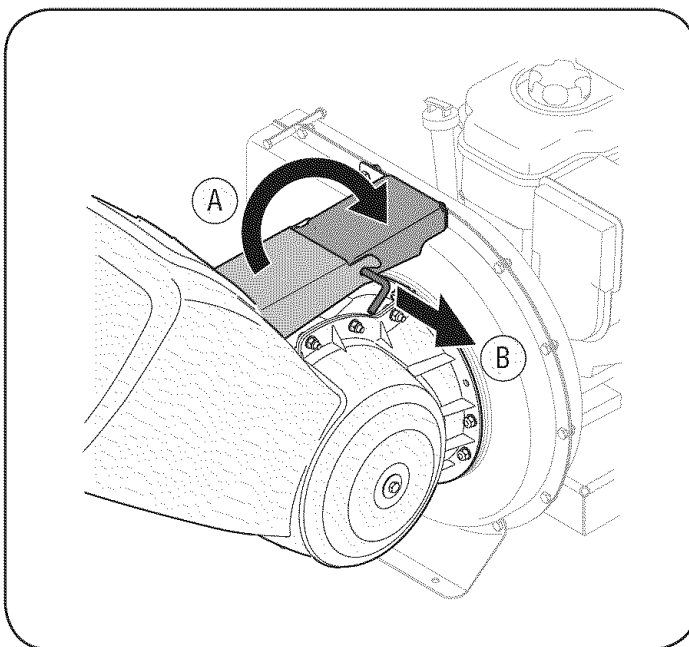


Figura 2

# MONTAJE

## COLOCACIÓN DEL CANAL DEFLECTOR

- Saque las perillas a mariposa de los costados de la caja inferior del motor.
  - Saque la tuerca de seguridad hexagonal, los separadores y el bulón hexagonal de la parte superior de la caja del motor. Vea la Figura 3-3.
- Ponga en línea el canal deflector en su posición en la abertura de descarga e inserte el bulón hexagonal con el separador a través de la bisagra del canal deflector (los separadores van dentro de las bisagras). Vea la Figura 3-4.
  - Coloque el segundo separador sobre el bulón hexagonal dentro de la otra bisagra y ajústelo con la tuerca de seguridad hexagonal.
  - Ajuste ambos costados del canal deflector a la caja del motor utilizando las perillas a mariposa que había sacado anteriormente.

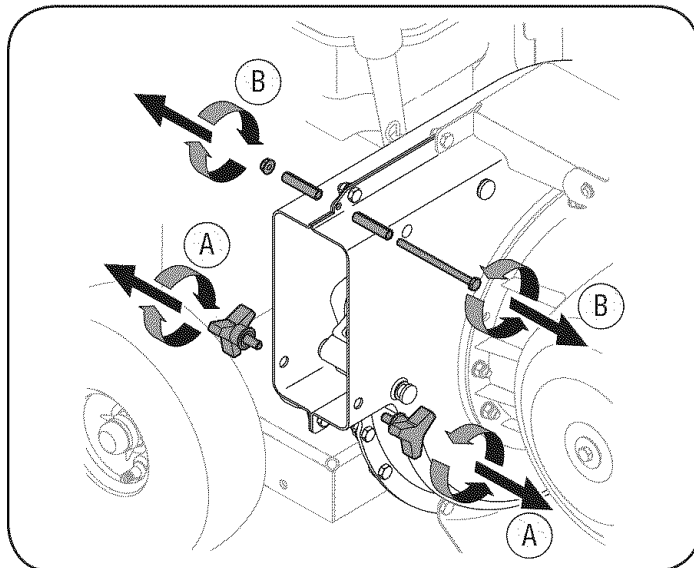


Figura 3

## COLOCACIÓN DEL CANAL DE LA CORTADORA

- Saque las tres arandelas curvas y las tuercas hexagonales de los espárragos de la soldadura que están alrededor de la abertura en el costado de la caja del motor. Vea la Figura 5.
  - Saque los bulones hexagonales, las arandelas planas y las tuercas de seguridad de los dos agujeros del extremo superior de la traba de sostén.

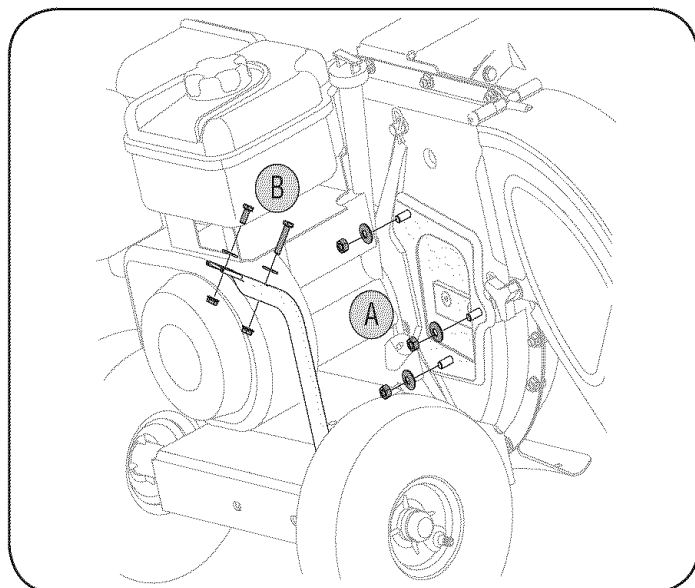


Figura 5

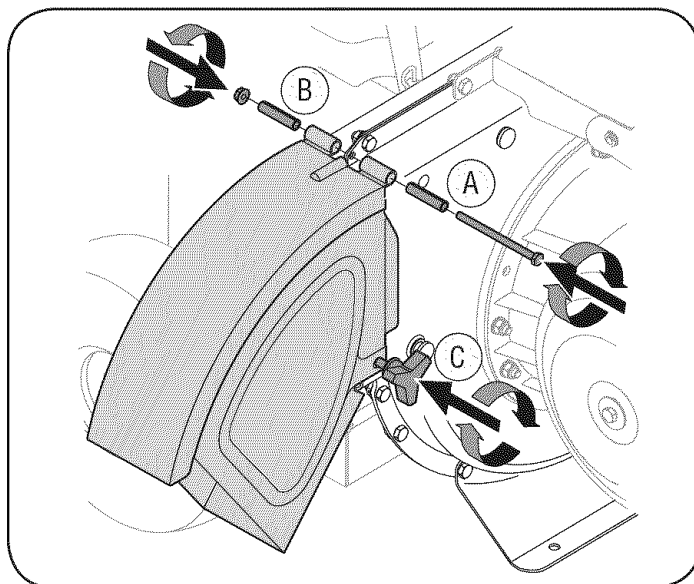


Figura 4

## MONTAJE

2.
  - a. Ponga en línea el canal de la cortadora por encima de los espárragos de la soldadura de manera que la ranura en la base del canal mire hacia abajo.
  - b. Ajuste el canal de la cortadora con tres arandelas curvas (con el lado curvo contra el canal de la cortadora) y con las tuercas hexagonales que había sacado anteriormente. No ajuste las tuercas en este momento. Vea la Figura 6.
3. La cortadora trituradora fue enviada con un extremo de la traba de sostén ya unido al bastidor inferior. Afloje pero no saque los bulones que unen la traba al bastidor.
  - a. Ponga en línea los agujeros del canal con los agujeros de la parte superior de la traba y una la misma al canal de la cortadora con los elementos de ferretería previamente retirados. Ajuste bien. Vea la Figura 7.
  - b. Ajuste los bulones que unen la traba de sostén al bastidor.
  - c. Ajuste las tres tuercas de los espárragos de la soldadura que sostienen el canal de la cortadora a la caja del motor.

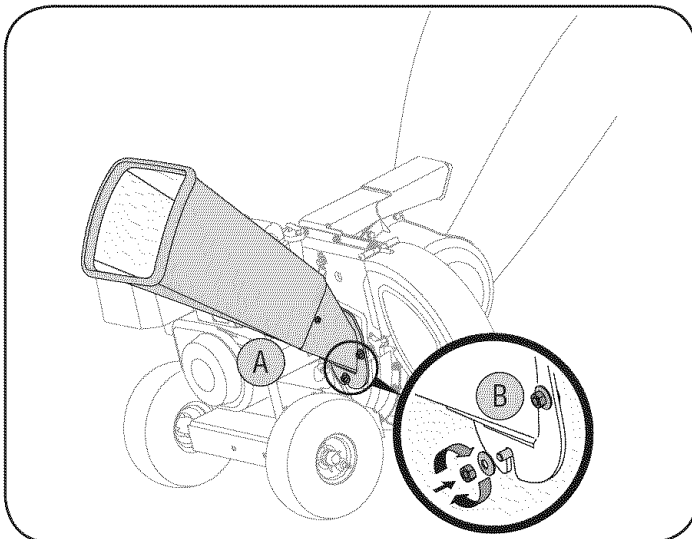


Figura 6

## COLOCACIÓN DE LA BOLSA

1. Para adosar la bolsa:
  - a. Coloque la abertura de la bolsa completamente sobre el canal deflector.
  - b. Tire de la tira de extracción hasta que la bolsa quede ajustada alrededor de la abertura del canal deflector.
  - c. Vuelva a sujetar la tira de extracción sobre sí misma, apriétela contra el canal deflector para que quede firme en su lugar. Vea la Figura 8.

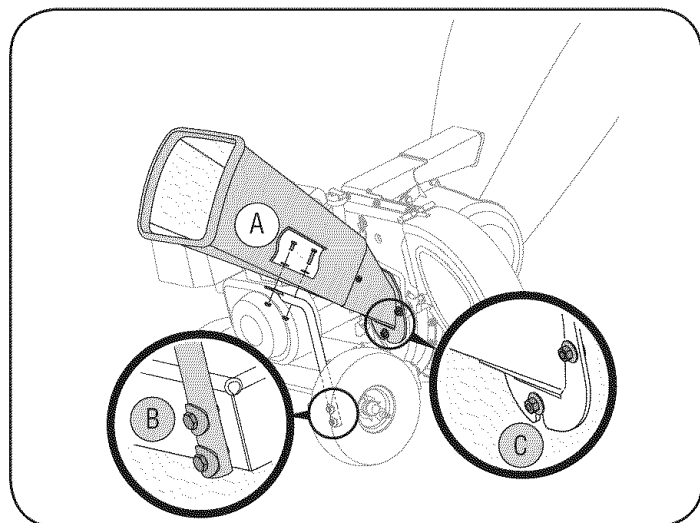


Figura 7

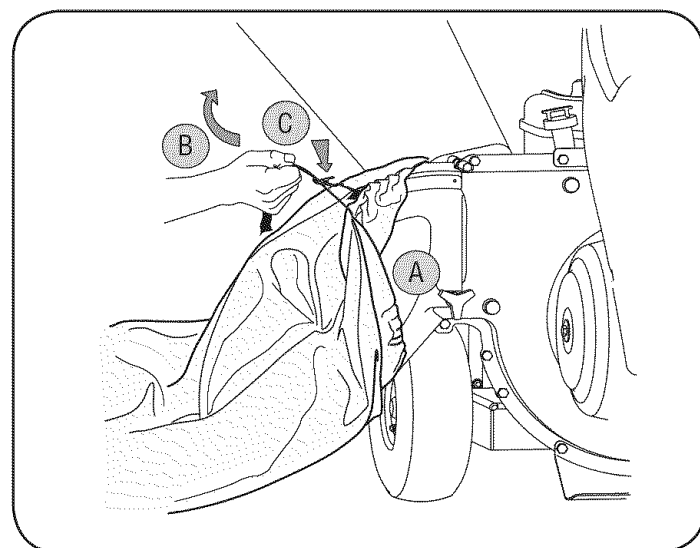


Figura 8

# MONTAJE

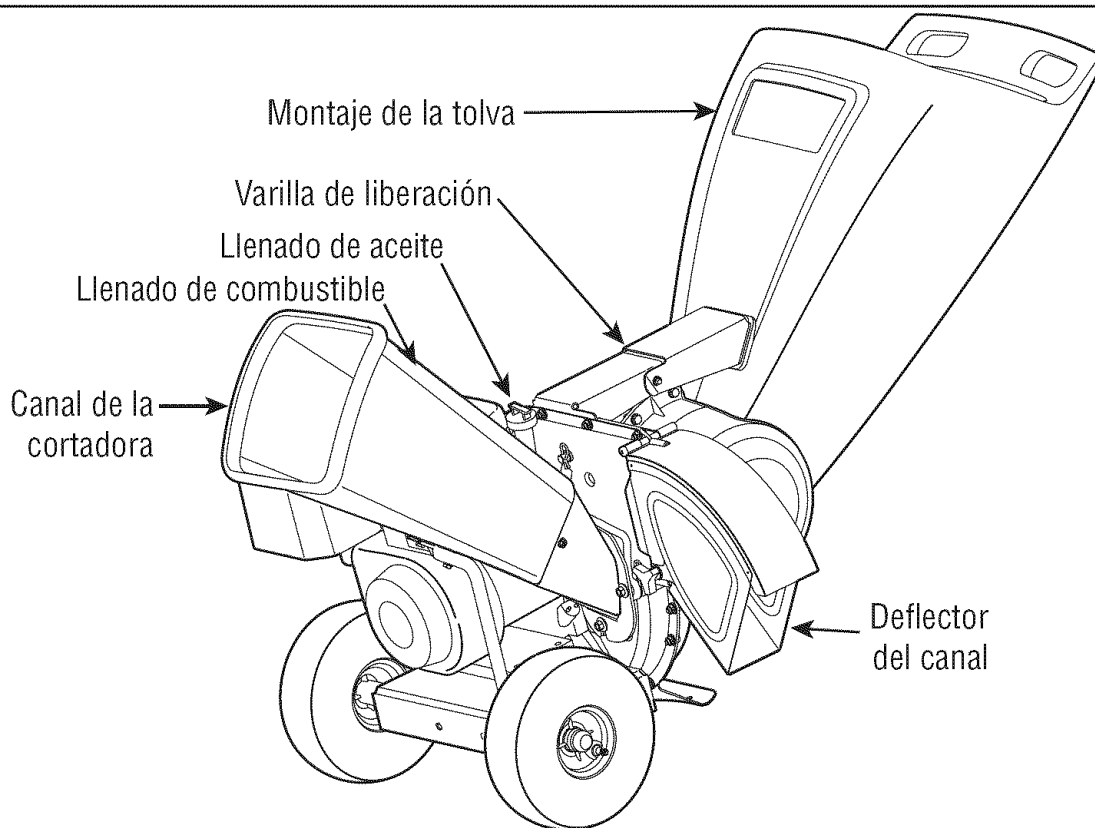


Figura 9

Ahora que ya ha ajustado su cortadora trituradora para su funcionamiento, familiarícese con sus controles y características. Estos se describen y se ilustran en esta página. Este conocimiento le permitirá utilizar su nuevo equipo a su máxima capacidad.

## CANAL DE LA CORTADORA

Permite que las ramas pequeñas de hasta 3" de diámetro ingresen al motor para ser picadas. Vea la Figura 9.

## MONTAJE DE LA TOLVA

Permita que las hojas y las ramas pequeñas de hasta 1/2 de diámetro ingresen al motor para ser picadas y trituradas. Bajando el montaje de la tolva se puede rastrillar material e introducirlo dentro del mismo. Vea la Figura 9.

## VARILLA DE LIBERACIÓN

La varilla de liberación está ubicada en el montaje del soporte del motor y se usa para liberar o trabar la tolva al momento de subir o bajar. Vea la Figura 9.

## DEFLECTOR DEL CANAL

Los desechos cortados y triturados se descargan fuera del deflector del canal. La unidad puede ser operada con o sin la bolsa de recolección adosada al deflector del canal. Vea la Figura 9.

## ⚠ ADVERTENCIA

Al operar una cortadora trituradora puede ser que objetos extraños sean arrojados a los ojos lo cual puede dañarlos gravemente. Utilice siempre los anteojos de seguridad provistos con esta unidad o protectores para ojos antes de picar o triturar el material o mientras realiza ajustes o reparaciones.

## CONTROL DEL ESTRANGULADOR

Esta palanca controla la velocidad del motor y la función de detención. Mediante tres posiciones independientes de la palanca, de izquierda a derecha, la operación se realiza de la siguiente forma:



Arranque /  
funcionamiento



lento /  
marcha lenta



Motor apagado

## CONTROL DE OBTURACIÓN

El control de obturación se utiliza para cebar el carburador y ayudar a que el motor arranque.

## MANIJA DEL ARRANCADOR

Se utiliza para encender el motor.

## Cumple con los estándares de seguridad de ANSI

Las aspiradoras para patios de Craftsman cumplen con los estándares de seguridad del instituto estadounidense de estándares nacionales (ANSI).

# OPERACIÓN

## LLENADO DE GASOLINA Y ACEITE

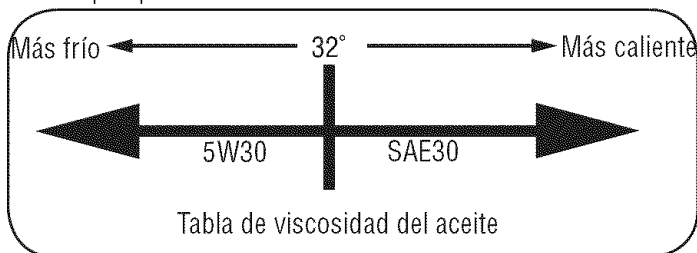
**Aceite** (se envía una botella junto con la unidad)

### Primer uso

1. Saque la varilla del nivel de aceite.
2. Con la cortadora trituradora al nivel del suelo, utilice un embudo para vaciar dentro del motor todo el contenido de la botella de aceite suministrada con la unidad.
3. Vuelva a colocar la varilla de llenado de aceite y ajústela.

### Usos posteriores

Use solamente un aceite detergente de alta calidad cuya clasificación de servicio API sea SF, SG o SH. Seleccione el grado de viscosidad SAE del aceite según la temperatura de operación esperada. Cumpla la tabla que aparece a continuación.



Aunque los aceites de viscosidad múltiple (5W30, 10W30, etc.) mejoran el encendido cuando el clima está frío, los mismos incrementan el consumo de aceite cuando se usan a más de 32°F. Compruebe el nivel de aceite con mayor frecuencia para evitar daños debido a que el motor trabaje con un nivel de aceite bajo.

1. Compruebe el nivel de aceite asegurándose que la varilla del nivel de aceite no roce con las paredes interiores del tubo de llenado de aceite. De hacerlo se puede producir una lectura falsa de la varilla del nivel de aceite. Rellene hasta la marca de FULL (lleno) de la varilla del nivel de aceite, si es necesario. La capacidad es de aproximadamente 18 oz. El llenado en exceso hace que el motor emane mucho humo y que el rendimiento del mismo no sea bueno.
2. Vuelva a colocar la varilla de llenado de aceite y ajústela.
3. Mantenga el nivel de aceite en la marca FULL. Si pone el motor en marcha con muy poco aceite le puede causar daños permanentes.

### ⚠ ADVERTENCIA

Tenga extremo cuidado cuando manipule gasolina. La gasolina es altamente inflamable y sus vapores pueden causar explosiones. Nunca cargue combustible en la máquina en un espacio cerrado o cuando el motor está caliente o en marcha. Apague cigarrillos, cigarros, pipas y otras fuentes de combustión.

## GASOLINA

1. Saque la tapa del combustible del depósito del mismo.
2. Verifique que el recipiente del que va a verter la gasolina esté limpio y libre de óxido o de objetos extraños. No use nunca gasolina que pueda estar vieja por haber estado almacenada en su recipiente por largos períodos. La gasolina que ha estado estacionada por un período superior a cuatro semanas debe considerarse vieja.

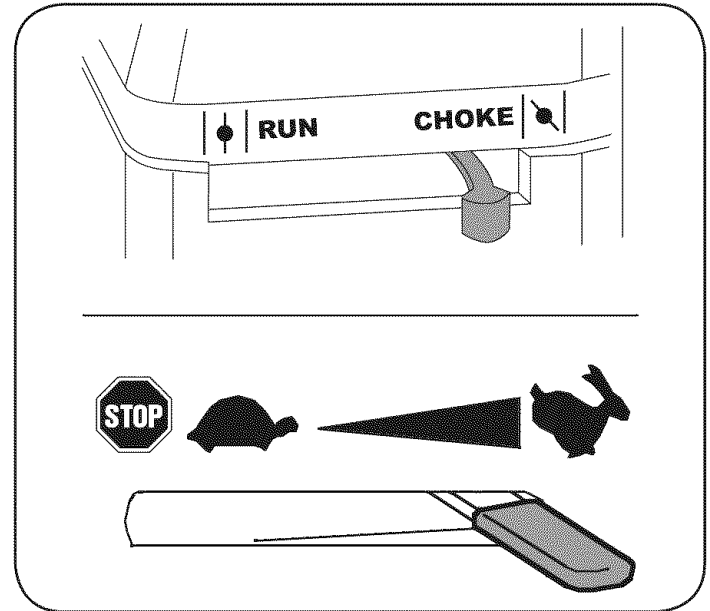


Figura 10

3. Llene el tanque de combustible sólo con gasolina normal sin plomo, limpia y fresca. No use gasolina que contenga METANOL. Vuelva a colocar la tapa de combustible en su lugar.

### ⚠ PRECAUCIÓN

Los combustibles con mezcla de alcohol (que se llaman gasohol, o que utilizan etanol o metanol) pueden atraer humedad, lo que conduce a la separación y formación de ácidos durante el almacenamiento. El gas ácido puede dañar el sistema de combustible del motor mientras la máquina está almacenada.

### ⚠ PRECAUCIÓN

Para evitar problemas con el motor, se debe vaciar el sistema de combustible antes de almacenar la máquina durante 30 días o más. Vacíe el tanque de nafta, encienda el motor y déjelo funcionar hasta que las líneas de combustible y el carburador estén vacíos. La siguiente temporada use combustible fresco. Consulte las Instrucciones de ALMACENAMIENTO si desea información adicional.

### ⚠ PRECAUCIÓN

No use nunca productos de limpieza para motores o carburadores en el depósito de combustible, se pueden ocasionar daños permanentes.



**NOTA:** Verifique periódicamente el nivel de combustible para evitar quedarse sin gasolina mientras está operando la cortadora trituradora. Si la unidad se queda sin combustible mientras está triturando, puede resultar necesario destapar el área de descarga antes de poder volver a encenderla. Consulte la sección SERVICIO Y MANTENIMIENTO.

## PARA ENCENDER EL MOTOR


1. Conecte el cable de la bujía y la manga de goma a la misma.
2. El tanque de combustible debe llenarse a 3/4 del total antes de arrancar.





# OPERACIÓN

3. Mueva el control del obturador hacia el control del regulador  para obturar el carburador del motor. (Si el motor está tibio la obturación puede no ser necesaria). Vea la figura 10.
4. Mueva la palanca de control del estrangulador a la posición  START/RUN (encendido / funcionamiento, representado por una liebre). Vea la figura 10.
5. Situado detrás de la unidad, tome la manija del arrancador y tire de la cuerda hasta que sienta un tirón.

NOTA: Escuchará un sonido cuando alcance el comienzo del ciclo de compresión. Este sonido es causado por el descebado y los topes que son parte del mecanismo de la trituradora y es de esperar hasta que el motor alcance la máxima velocidad.

6. Tire de la cuerda de manera rápida y continua. Apriete bien la manija del arrancador. Deje que la cuerda se enrosque lentamente.
7. Repita este paso, de ser necesario, hasta que se encienda el motor. Cuando se enciende el motor mueva el control de obturación gradualmente lejos del control del estrangulador.
8. Si el motor falla, mueva el control del obturador hacia atrás, en dirección al control del estrangulador, y repita los pasos 5 a 7.
9. Mantenga SIEMPRE el control del estrangulador en posición  START/RUN (encendido / funcionamiento) mientras opere la cortadora trituradora.

## PARA DETENER EL MOTOR

1. El regulador de movimiento controla la palanca para reducir  la marcha (tortuga) de la posición. Siempre que posible, gradualmente reduzca la velocidad de motor antes de parar el motor.
2. Mueva las palancas de control del regulador a la posición  STOP (detención) u OFF (apagado).
3. Desconecte el cable de la bujía de la bujía y colóquelo a masa contra el poste de retención para evitar que se encienda accidentalmente mientras no se está prestando atención al equipo.

## TRITURACIÓN

El desecho que se acumula en los patios como por ejemplo las hojas y las agujas de los pinos puede ser colocado en la tolva para triturarlo. Después de procesar el material con la cuchilla de la trituradora y de desgranar, es empujado fuera del deflector del canal y, si está instalada, hacia el interior de la bolsa de recolección de desechos.

Respete las siguientes pautas cuando triture desechos que se acumulan en los patios:

- Sólo utilice la máquina para triturar el material que se encuentra en un patio normal (hojas, ramas, piñas de los pinos, etc.).
- Evite la trituración de plantas fibrosas como, por ejemplo, las de tomates hasta que estén totalmente secas. Las plantas de tomates frescas no se trituran bien y tienden a enroscarse alrededor del motor y del desgranado.
- Coloque cantidades razonables de desechos en la tolva por vez. No sobrecargue la tolva.

- Permita que el material que se encuentra en la tolva sea atraído hasta las cuchillas y triturado antes de agregar más desechos dentro de la misma. De no hacerlo se puede tapar la tolva, el deflector del canal o detener el motor.

## CORTE

Se puede permitir el ingreso de ramas de hasta 3" de diámetro en el canal de la cortadora. Respete las siguientes pautas para el corte de las ramas:

- Mantenga ambas manos firmemente en la rama a medida que la coloca dentro del canal de la cortadora.
- No ponga nunca más de una rama dentro del canal de la cortadora por vez.
- En el canal de la cortadora sólo se puede colocar ramas (de madera).
- Aplique presión intermitente (fuerza, en impulsos cortos) cuando coloque ramas más largas (de 3 pulgadas de diámetro) dentro del canal de la cortadora para evitar inundar o ahogar el motor.

IMPORTANTE: Nunca coloque ramas con un diámetro superior a tres (3) pulgadas dentro del canal de la cortadora. De hacerlo se pueden dañar gravemente las cuchillas de corte, el desgranado o el motor de la unidad.

NOTA: Para mejores resultados, opere siempre la unidad con cuchillas de corte afiladas. Si se produce una reducción apreciable en el rendimiento mientras se cortan ramas, se debe reemplazar las cuchillas de la cortadora.

## CÓMO BAJAR EL MONTAJE DE LA TOLVA

1. Con una mano tome la manija que se encuentra en la parte superior del montaje de la tolva y levántela levemente.
2. Con la otra mano tire hacia afuera de la varilla de liberación y baje el montaje de la tolva hasta el piso. Vea la Figura 10.

## CÓMO DESCARGAR LA BOLSA

1. Suelte la cuerda de extracción y afloje la bolsa de la abertura del canal deflector.
2. Vacíe la bolsa y vuelva a colocarla en la abertura del canal de descarga. Tire de la cuerda hasta que la bolsa esté ajustada alrededor de la abertura del canal y sujete la cuerda apretándola contra el canal deflector.

IMPORTANTE: La pantalla de desgranado está ubicada dentro de la caja en la zona de descarga. Si se tapa la pantalla de desgranado, sáquela y límpiela como se indica en la sección Servicio y Mantenimiento. Para obtener el mejor resultado también es importante mantener afilada la cuchilla de la cortadora.

# SERVICIO Y MANTENIMIENTO

## ⚠ ADVERTENCIA

Siempre detenga el motor y desconecte el cable de la bujía antes de hacer cualquier tipo de mantenimiento o ajustes. Utilice siempre anteojos de seguridad durante la operación o mientras ajusta o repara este equipo.

## RECOMENDACIONES GENERALES

- Respete siempre las reglas de seguridad cuando realice tareas de mantenimiento.
- La garantía de esta cortadora trituradora no cubre elementos que han estado sujetos al mal uso o negligencia del operador. Para recibir el reembolso total de la garantía, el operador deberá dar mantenimiento al equipo tal y como se indica en este manual.
- Algunos ajustes deben ser realizados periódicamente para el mantenimiento adecuado de la unidad.
- Revise periódicamente todos los sujetadores y compruebe que estén bien ajustados.

## MANTENIMIENTO DE MOTOR

### Servicio A La Bujía

Limpie la bujía y ajuste el espacio a 0.030" al menos una vez por estación; sustituya cada 100 horas de la operación.

- Área limpia alrededor de la base de bujía. No lije la bujía. Se deben limpiar las bujías mediante raspado o tallado con cepillo de alambre y lavado con un solvente comercial.
- Quite e inspeccione la bujía. Compruebe el hueco para asegurarse que es puesto en .030". Vea la Figura 11.
- Sustituya la bujía si los electrodos son picados, quemados, o la porcelana es rajada.

### Servicio Del Filtro De Aire

## ⚠ PRECAUCIÓN

No use aire presurizado o solventes para limpiar el cartucho de filtro de aire.

El filtro de aire evita el ingreso al carburador de suciedad, polvo, etc. perjudiciales y evita que los mismos sean introducidos dentro del motor. Además, dicho filtro es importante para la vida útil y el rendimiento del motor. El filtro de aire consta de un filtro plisado y un preencargado de limpieza que puede ser lavado y reutilizado. No ponga nunca en funcionamiento el motor sin haber montado totalmente el filtro de aire.

Limpio o sustituyen el filtro de aire cada 25 horas de la operación.

1. Suelte tornillos que sostienen la tapa de filtro de aire.
2. La tapa abierta y quite el cartucho El Cartucho La Tapa El Preencargado. Vea la Figura 12.
3. Quite al preencargado de limpieza del cartucho. Deseche el viejo cartucho.
4. Instale el nuevo cartucho. Instale el labio en el preencargado de limpieza en el fondo de plisados de cartucho.
5. Cierre la tapa y apriete tornillos.

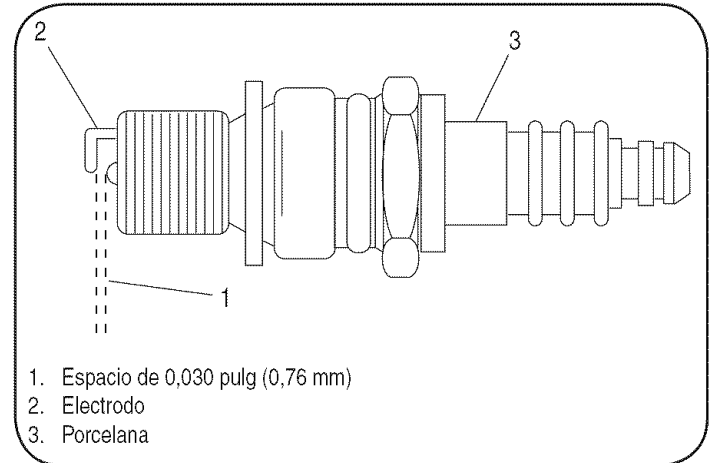


Figura 11

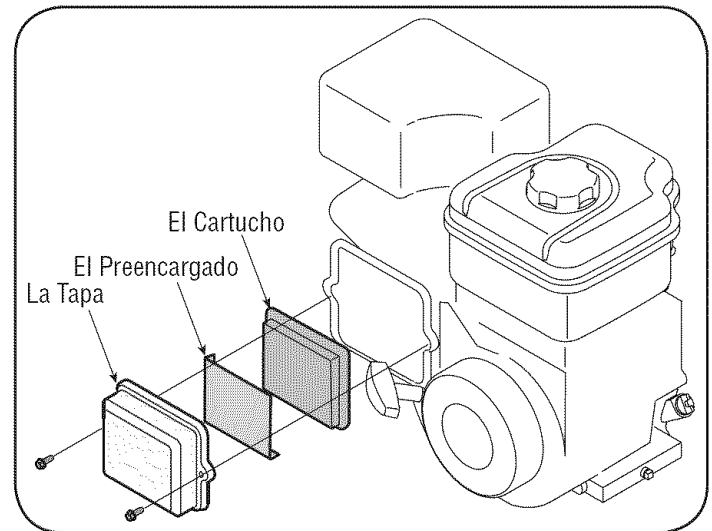


Figura 12

**NOTA:** Si el filtro está roto o dañado, cámbielo.

### Compruebe El Aceite Del Motor

1. Detenga el motor y espere varios minutos antes de verificar el nivel de aceite. Con el motor ubicado en suelo parejo, el aceite debe estar en la marca FULL (lleno) de la varilla del nivel de aceite.
2. Saque la varilla del nivel de aceite y limpie limpio con la tela.
3. Sustituya y apriete la varilla de aceite. Quite y compruebe el nivel del aceite. El nivel debería estar en la señal LLENA.
4. De ser necesario, añada el petróleo despacio - nuevo control. No sobrellenar.
5. Limpie la varilla de aceite limpia, sustituya y apretar. Quite y compruebe el nivel del aceite. El nivel del aceite debería estar en

## ⚠ PRECAUCIÓN

No haga overfil. El sobrelleno con el petróleo puede hacer que el motor no comience, o con fuerza comienzo. Si sobre la señal LLENA en la varilla de aceite, drene el petróleo para reducir el nivel del aceite a la señal LLENA en la varilla de aceite.

# SERVICIO Y MANTENIMIENTO

la línea LLENA en la varilla de aceite.

## Cambio Del Aceite Del Motor

- Use solamente un aceite detergente de alta calidad cuya clasificación de servicio API sea SF, SG o SH. Seleccione el grado de viscosidad SAE del aceite según la temperatura de operación esperada. Consulte la sección de operación para ver la tabla de viscosidad.
- Cambie el petróleo de motor después de las cinco a ocho primeras horas de la operación, y cada cincuenta horas o cada temporada a partir de entonces. Cambie el petróleo cada veinticinco horas cuando motor de operaciones bajo la carga pesada o en temperaturas altas.

## Cómo Vaciar El Aceite

1. Vacíe el combustible del tanque haciendo funcionar el motor hasta que el tanque de combustible esté vacío.
2. Con el motor LEJOS pero todavía calientan, desconectan la bujía lo alambran y guardan lejos de la bujía.
3. Quite el enchufe de desagüe del aceite cuadrado localizado en la base del motor, y drene el petróleo en un receptáculo apropiado.

### ⚠ PRECAUCIÓN

El petróleo usado es un desecho arriesgado. Elimine el petróleo usado correctamente. No deseches con la basura de la casa. Compruebe con sus autoridades locales o Chamusca el Centro de Servicio para instalaciones de disposición/reciclaje seguras.

Vea la Figura 13 en la página 15.

4. Sustituya y apriete el enchufe de desagüe del aceite.
5. Cuando el motor es drenado de todo el petróleo, nivel de motor de lugar. Recambio con aproximadamente 20 onz. de petróleo fresco. Llénese a la línea LLENA en la varilla de aceite. No sobrellenar. Refiérase a Gas y Petróleo Llenar en la sección de OPERACIÓN.
6. Vuelva a colocar la varilla de llenado de aceite y ajústela.
7. Sustituya el alambre de bujía antes del comienzo.

### ⚠ ADVERTENCIA

La temperatura del silenciador y las áreas cercanas puede superar los 150° F (65° F). Evite esas zonas.

## Servicio Al Silenciador

Inspeccione periódicamente el silenciador y reemplácelo de ser necesario. Los repuestos para el silenciador deben ser el mismo e instalado en la misma posición que las partes originales.

## Limpieza Del Motor

- Diariamente o antes de cada uso, limpie hierba, barba o escombros acumulados del motor. Guarde encadenamiento, primavera, y mandos limpios. Guarde el área alrededor y detrás del silenciador sin cualesquiera escombros combustibles.
- El cuidado del motor limpio permite el movimiento aéreo alrededor del motor.

edor del motor.

- Las partes de motor deberían ser guardadas limpias para reducir el riesgo de recalentarse y la ignición de escombros acumulados.

### ⚠ PRECAUCIÓN

No use el agua para limpiar partes de motor. El agua podría contaminar el sistema de combustible. Use un cepillo o la tela seca.

Este es sobre todo importante cortando la alta hierba.

## Ajuste de Carburador

El carburador en este motor no es ajustable.

### ⚠ ADVERTENCIA

No intente cambiar la velocidad de motor manipulando el encadenamiento de gobernador del motor. Haciendo tan podría causar la herida personal seria y dañar al motor. Las REVOLUCIONES POR MINUTO de motor han sido puestas en la fábrica.

## Velocidad de Motor

### LUBRICACIÓN

- **Montaje de la tolva** - Lubrica los puntos de pivote en la montaje de la tolva con el petróleo ligero una vez una temporada.
- **Deflector del canal** - Lubrica los puntos de pivote en el deflector del canal con el petróleo ligero una vez una temporada.
- **La Vara de Liberación** - Lubrica la vara de liberación y la primavera con el petróleo ligero una vez una temporada.

## LIMPIEZA DEL EQUIPO

- Limpie cuidadosamente la cortadora trituradora después de cada uso.
- Lave la bolsa con agua periódicamente. Permita que se seque bien en un sitio a la sombra.
- Si se tapa la pantalla de desgranado, sáquela y límpiela como se indica abajo.

NOTA: La limpieza con un chorro de agua a presión no se recomienda.

### ⚠ ADVERTENCIA

Antes de realizar cualquier tipo del mantenimiento en la máquina, espere todas las partes a dejar de moverse y desconectar el alambre de bujía. El fracaso de seguir esta instrucción podría causar la herida personal o el daño a la propiedad.

da, ya que el sistema de combustible podría resultar contaminado.

## EXTRACCIÓN DE LA PANTALLA DE DESGRANADO

Si la zona de descarga se tapa, saque la pantalla de desgranado y limpie la zona como se indica a continuación:

1. Detenga el motor y compruebe que la cortadora trituradora se haya detenido por completo.
2. Desconecte el cable de la bujía y póngalo haciendo masa contra

## SERVICIO Y MANTENIMIENTO

el motor.

3. a. Retire la bolsa y dos perillas a mariposa a cada lado del canal deflector. Vea la Figura 13.  
b. Levante el canal deflector para mantenerlo fuera del paso.  
c. Saque los dos broches de horquilla de cada pasador de horquilla que se extiende cruzando la caja y saque los pasadores.  
d. Saque la pantalla de desgranado del interior de la caja y limpie la pantalla cepillándola o lavándola con agua. Vea la Figura 13.
4. Vuelva a colocar la pantalla y asegúrese de reensamblarla con el lado curvo hacia abajo.
5. Vuelva a unir el canal deflector con los elementos de ferretería previamente sacados y conecte la bolsa a la unidad.

### AFILADO O RECAMBIO DE LAS CUCHILLAS DE LA CORTADORA

1. Desconecte el cable de la bujía y póngalo de manera que haga masa contra el motor.
2. Saque la pantalla de desgranado conforme se indica en la sección anterior.
3. Saque el canal de la cortadora quitando tres tuercas hexagonales y arandelas.
4. Saque del bastidor la traba de sostén del canal de la cortadora quitando los bulones hexagonales.
5. Gire el montaje del motor en forma manual hasta ubicar una de las dos cuchillas de la cortadora en la abertura del canal de la cortadora.
6. Para sacar la cuchilla saque los tornillos hexagonales internos, las arandelas de seguridad y las tuercas hexagonales que la sujetan al motor. Guarde los elementos de ferretería. Vea la Figura 14.

**NOTA:** Use una llave hexagonal de 3/16" (Allen) en el exterior de la cuchilla y una llave de tubo de 1/2" (o cubo) en el interior del motor. Sostenga la llave Allen firmemente y gire la llave de tubo (o cubo) para aflojar la tuerca.

7. Coloque una cuchilla de repuesto (Número de pieza 781-0490) con los elementos de ferretería que extrajo anteriormente o afílela.

**IMPORTANTE:** Cuando afila la cuchilla, protéjase las manos utilizando guantes. Siga el ángulo original de afilado y asegúrese de extraer una cantidad igual de cada cuchilla.

8. Para reemplazar la otra cuchilla, gire el motor para exponer la segunda cuchilla y repita los pasos anteriores.

**NOTA:** Compruebe que las cuchillas se reensamblen con el filo hacia

### **⚠ ADVERTENCIA**

Las cuchillas de trituración y la cuchilla de corte del motor son filosas. Utilice guantes de trabajo de cuero para protegerse las manos.

arriba. Ajuste los elementos de ferretería a 250 - 300 pulgadas libras.

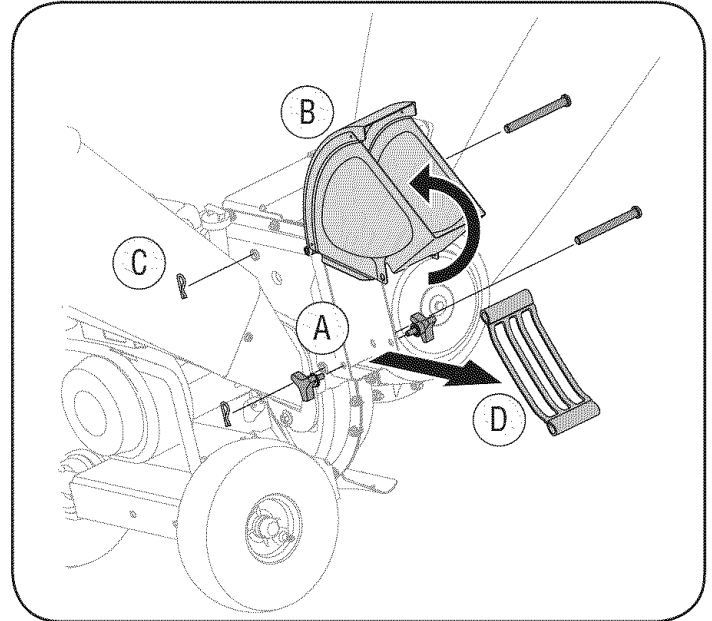


Figura 13

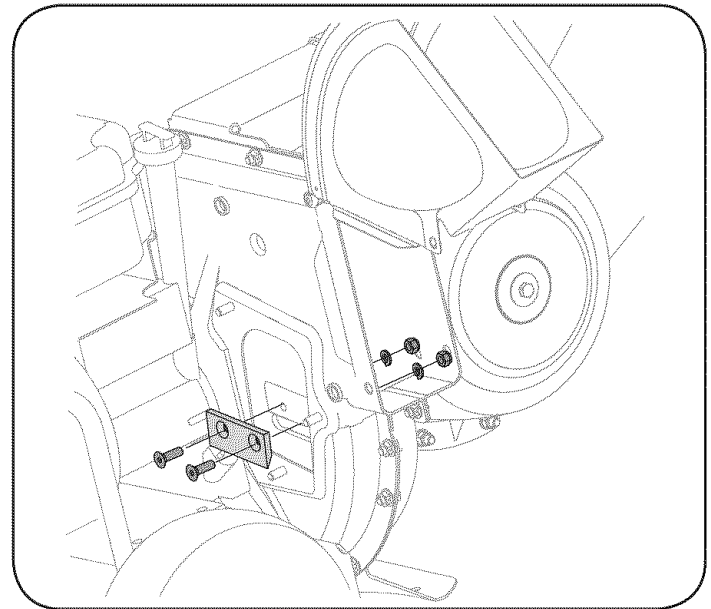


Figura 14

### AFILADO O CAMBIO DE LA CUCHILLA DE LA TRITURADORA

1. Detenga el motor y verifique que todas las piezas móviles se hayan detenido por completo.
2. Desconecte el cable de la bujía y póngalo de manera que haga masa contra el motor.
3. Baje el montaje de la tolva y trabe la caja.
4. Saque las seis tuercas hexagonales de seguridad y las arandelas planas de los espárragos de la soldadura de la caja de desgranado. Guarde los elementos de ferretería.
5. Con mucho cuidado separe el montaje de la tolva del montaje del motor y retire la placa de sostén.

## SERVICIO Y MANTENIMIENTO

NOTA: Cuando vuelva a montar la placa de sostén compruebe que la aleta grabada mire hacia adentro hacia el motor.

6. Saque las dos perillas a mariposa que unen el canal deflector y levántelo.
7. Inserte un tubo de 1/2" o 3/4" de diámetro a través de la pantalla de desgranado hacia el interior del motor para evitar que el mismo gire o saque la pantalla de desgranado e inserte un trozo de madera en la abertura del canal.
8.
  - a. Saque los dos tornillos hexagonales internos, las arandelas de seguridad y las tuercas de seguridad hexagonales que sujetan la cuchilla de la trituradora al motor.
  - b. Saque el perno hexagonal, la arandela de seguridad y la arandela plana para liberar totalmente la cuchilla de la trituradora. Vea la Figura 15.

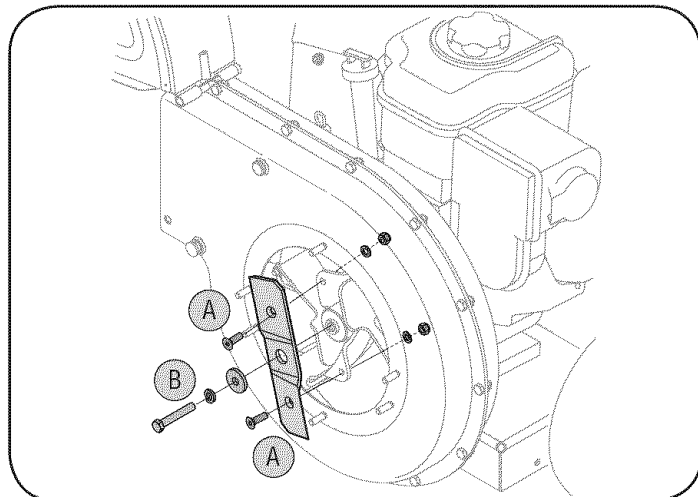


Figura 15

NOTA: Use una llave hexagonal de 3/16" (Allen) en el exterior de la cuchilla de la trituradora y una llave de tubo de 1/2" (o cubo) en el interior de la cuchilla de la trituradora. Sostenga la llave Allen firmemente y gire la llave de tubo (o cubo) para aflojar la tuerca. Tenga precaución cuando saque la cuchilla para evitar el contacto con los espárragos de la soldadura de la caja.

**IMPORTANTE:** Cuando afile la cuchilla, siga el ángulo original de afilado como guía. Es de suma importancia que cada extremo de corte sea desbastado de igual manera para evitar que la cuchilla quede desequilibrada. Si la cuchilla está desequilibrada producirá una vibración excesiva cuando gire a alta velocidad y puede dañar la unidad. Se puede probar la cuchilla balanceándola sobre un destornillador o clavo. Saque metal del lado pesado hasta que quede bien balanceada.

### LISTA DE MANTENIMIENTO

#### ⚠ ADVERTENCIA

Antes de realizar cualquier tipo del mantenimiento/servicio, suelte todos los mandos y pare el motor. Espere hasta que todas las partes de movimiento hayan venido a una parada completa. Desconecte el alambre de bujía y béselo contra el motor para prevenir el comienzo involuntario. Siempre lleve puestos cristales inastillables durante la operación o realizando cualquier ajuste o reparaciones.

Siga la lista de mantenimiento dada abajo. Esta carta describe pautas de servicio sólo. Use la columna de Tronco de Servicio para guardar la pista de tareas de mantenimiento completadas. Localizar el más cercano Chamusca el Centro de Servicio o programar el servicio, simplemente ponerse en contacto Chamusca en **1-800-4-MY-HOME®**.

Intervalo	Artículo	Servicio	Tronco de Servicio
Cada Uso	<ol style="list-style-type: none"> <li>1. Nivel del aceite de motor</li> <li>2. Hardware suelto o ausente</li> <li>3. Unidad y motor</li> </ol>	<ol style="list-style-type: none"> <li>1. Comprobar</li> <li>2. Apriete o sustituir</li> <li>3. Limpio</li> </ol>	
1os 5 - 8 horas	<ol style="list-style-type: none"> <li>1. El aceite de motor</li> </ol>	<ol style="list-style-type: none"> <li>1. Cambio</li> </ol>	
25 horas	<ol style="list-style-type: none"> <li>1. El aceite de motor†</li> <li>2. Filtro de aire/ Preencargado</li> <li>3. Encadenamientos de control y pivotes</li> </ol>	<ol style="list-style-type: none"> <li>1. Cambio</li> <li>2. Limpio o sustituyen</li> <li>3. Lubricación con petróleo ligero</li> </ol>	
50 horas	<ol style="list-style-type: none"> <li>1. El aceite de motor</li> </ol>	<ol style="list-style-type: none"> <li>1. Cambio</li> </ol>	
Anualmente o 100 horas	<ol style="list-style-type: none"> <li>1. Bujía</li> </ol>	<ol style="list-style-type: none"> <li>1. Limpio, sustituya, nuevo hueco</li> </ol>	
Antes de Almacenaje	<ol style="list-style-type: none"> <li>1. Sistema de combustible</li> </ol>	<ol style="list-style-type: none"> <li>1. El motor dirigido hasta que esto se pare a falta del combustible o añada un aditivo de gasolina al gas en el tanque.</li> </ol>	

† Bajo carga pesada o en temperaturas altas

# ALMACENAMIENTO FUERA DE TEMPORADA

## WARNING

Nunca almacene cortadora trituradora con el combustible en el tanque dentro o en áreas mal ventiladas donde los vapores de combustible pueden alcanzar una llama abierta, la chispa, o el piloto como en un horno, calentador de agua, secador de ropa, o aplicación de gas.

## PREPARACIÓN DEL MOTOR

Ya que los motores almacenaron más de 30 días:

1. Para impedir a la goma formarse en el sistema de combustible o en partes de carburador, dirijas el motor hasta que esto se pare a falta del combustible o añadir un aditivo de gasolina al gas en el tanque. Si usted usa un aditivo de gas, dirige el motor durante varios minutos para poner en circulación el aditivo por el carburador — después que el motor y el combustible pueden ser almacenados hasta seis meses.
2. Mientras el motor es todavía caliente, cambio el petróleo.
3. Quite la bujía y vierta aproximadamente 1 onz. (30 ml) del petróleo de motor limpio en el cilindro. Tire el juez de salida de retroceso varias veces para distribuir el petróleo, e instalar de nuevo la bujía.
4. Limpie el motor de escombros superficiales.

## LA PREPARACIÓN LA CORTADORA TRITURADORA

- Almacenando cortadora trituradora en un cobertizo de almacenaje no ventilado o metálico, el cuidado debería ser tomado a inoxidable las superficies no pintadas. Usando un petróleo ligero o silicona, cubra el equipo, sobre todo cualquier primavera, portes, y cables.
- Quite toda la suciedad del exterior de motor y equipo.
- Siga recomendaciones de lubricación.
- Equipo de tienda en un área limpia, seca. No almacene en un área donde el equipo está presente que puede usar un piloto o tiene un componente que puede cree una chispa.

# NOTAS

# SOLUCIÓN DE PROBLEMAS

## ⚠ ADVERTENCIA

Antes de realizar cualquier tipo del mantenimiento/servicio, suelte todos los mandos y pare el motor. Espere hasta que todas las partes de movimiento hayan venido a una parada completa. Desconecte el alambre de bujía y béselo contra el motor para prevenir el comienzo involuntario. Siempre lleve puestos cristales inastillables durante la operación o realizando cualquier ajuste o reparaciones.

Esta sección se dirige a cuestiones de servicio menores. Localizar el más cercano Chamusca el Centro de Servicio o programar el servicio, simplemente ponerse en contacto Chamusca en 1-800-4-MY-HOME®.

Problema	Causa	Remedio
El motor no arranca	<ol style="list-style-type: none"> <li>1. La palanca del regulador no está en la posición de arranque correcta</li> <li>2. La palanca de obturación no está en la posición ON (encendido)</li> <li>3. Se ha desconectado el cable de la bujía</li> <li>4. La bujía no funciona correctamente</li> <li>5. El tanque de combustible está vacío o el combustible es viejo</li> <li>6. No se puede tirar de la cuerda de retroceso</li> <li>7. El motor se desbordó.</li> </ol>	<ol style="list-style-type: none"> <li>1. Mueva la palanca del regulador a la posición START (inicio)/RUN (dirigido).</li> <li>2. Ponga el interruptor en la posición CHOKE (obturación).</li> <li>3. Conecte el cable a la bujía.</li> <li>4. Limpie, ajuste la distancia disruptiva o cambie.</li> <li>5. Llene el tanque con gasolina limpia y fresca.</li> <li>6. Hay una obstrucción en el motor. Desconecte el cable de la bujía y retire el objeto atascado.</li> <li>7. Espere unos minutos para reactivarse.</li> </ol>
El motor funciona de manera errática	<ol style="list-style-type: none"> <li>1. La unidad está funcionando en la posición CHOKE (obturación)</li> <li>2. El cable de la bujía está flojo</li> <li>3. El combustible es viejo</li> <li>4. Agua o suciedad en el sistema del combustible</li> <li>5. El filtro de aire está sucio</li> <li>6. RPM del motor bajas</li> <li>7. Es necesario ajustar el carburador</li> </ol>	<ol style="list-style-type: none"> <li>1. Cambie la palanca de obturación a la posición OFF (apagado).</li> <li>2. Conecte y ajuste el cable de la bujía.</li> <li>3. Llene el tanque con gasolina limpia y fresca.</li> <li>4. Vacíe el tanque del combustible. Vuelva a llenarlo con combustible limpio.</li> <li>5. Limpie o cambie el filtro de aire.</li> <li>6. Siempre accione el motor con el estrangulador al máximo.</li> <li>7. Contacte con su centro de partes y reparaciones Sears.</li> </ol>



# SOLUCIÓN DE PROBLEMAS

## ⚠️ ADVERTENCIA

Antes de realizar cualquier tipo del mantenimiento/servicio, suelte todos los mandos y pare el motor. Espere hasta que todas las partes de movimiento hayan venido a una parada completa. Desconecte el alambre de bujía y béselo contra el motor para prevenir el comienzo involuntario. Siempre lleve puestos cristales inastillables durante la operación o realizando cualquier ajuste o reparaciones.

**Esta sección se dirige a cuestiones de servicio menores. Localizar el más cercano Chamusca el Centro de Servicio o programar el servicio, simplemente ponerse en contacto Chamusca en 1-800-4-MY-HOME®.**

Problema	Causa	Remedio
El motor recalienta	<ol style="list-style-type: none"> <li>1. El nivel de aceite del motor es bajo</li> <li>2. Flujo de aire restringido</li> </ol>	<ol style="list-style-type: none"> <li>1. Llene el cárter con la adecuada selección de aceite.</li> <li>2. Recortes de periódico de hierba limpios y escombros de alrededor de las aletas de refrigeración del motor y alojamiento de soplador.</li> </ol>
Salto ocasionales (pausas) a alta velocidad	<ol style="list-style-type: none"> <li>1. La distancia disruptiva de la bujía es muy poca</li> </ol>	<ol style="list-style-type: none"> <li>1. Quite la bujía y ajuste el hueco.</li> </ol>
El motor funciona en vacío mal	<ol style="list-style-type: none"> <li>1. Bujía ensuciada</li> <li>2. El filtro de aire está sucio</li> </ol>	<ol style="list-style-type: none"> <li>1. Sustituya la bujía y ajuste el hueco.</li> <li>2. Limpie o cambie el filtro de aire.</li> </ol>
Demasiada vibración	<ol style="list-style-type: none"> <li>1. Hay partes que están flojas o el motor está dañado</li> </ol>	<ol style="list-style-type: none"> <li>1. Detenga el motor de inmediato y desconecte el cable de la bujía. Contacte con su centro de partes y reparaciones Sears.</li> </ol>
La unidad no descarga	<ol style="list-style-type: none"> <li>1. El área de descarga está tapada</li> <li>2. Hay un objeto extraño en el motor</li> <li>3. RPM del motor bajas</li> </ol>	<ol style="list-style-type: none"> <li>1. Detenga el motor de inmediato y desconecte el cable de la bujía. Limpie la pantalla de desgranado y el interior de la abertura de descarga.</li> <li>2. Detenga el motor y desconecte el cable de la bujía. Saque el objeto extraño del motor.</li> <li>3. Siempre accione el motor con el estrangulador al máximo.</li> </ol>
La tasa de descarga se reduce de manera considerable o cambia la composición del material descargado	<ol style="list-style-type: none"> <li>1. RPM del motor bajas</li> <li>2. La hoja de la cortadora está desafilada</li> </ol>	<ol style="list-style-type: none"> <li>1. Siempre accione el motor con el estrangulador al máximo.</li> <li>2. Reemplace la hoja de la cortadora o contacte a su centro de reparaciones y partes Sears.</li> </ol>

(Esta página se aplica sólo en EE.UU. y Canadá).

**Sears, Roebuck and Co., U.S.A. (Sears), el Consejo de Recursos Ambientales de California (CARB)  
y la Agencia de Protección Ambiental de los Estados Unidos (EPA)**

**Declaración de garantía del sistema de control de emisiones (derechos y obligaciones de la garantía de defectos del propietario)**

LA COBERTURA DE LA GARANTÍA DE CONTROL DE EMISIONES ES APLICABLE A LOS MOTORES CERTIFICADOS COMPRADOS EN CALIFORNIA EN 1995 Y POSTERIORMENTE, QUE SE UTILIZAN EN CALIFORNIA,

**Declaración de garantía sobre defectos en el control de emisiones para California y los Estados Unidos**

El Consejo de Recursos Ambientales de California (CARB), la EPA (Agencia de Protección Ambiental de los EE.UU.) y Sears tienen el gusto de explicar la garantía del sistema de control de emisiones para motores del año 2000 y para el futuro con relación a motores pequeños todo terreno (SORE). En California, los nuevos motores pequeños todo terreno deben estar diseñados, construidos y equipados para cumplir con las rigurosas normas anti-smog del estado. En el resto de los Estados Unidos, los motores nuevos todo terreno de encendido por chispa certificados para el año 1997 deben cumplir estándares similares establecidos por la EPA. Sears debe garantizar el sistema de control de emis-

Y PARA LOS MODELOS CERTIFICADOS DEL AÑO 1997 Y POSTERIORES, QUE SE COMPREN Y UTILICEN EN CUALQUIER PARTE DE LOS ESTADOS UNIDOS (Y A PARTIR DEL 1 DE ENERO DE 2001 EN CANADÁ).

iones de su motor para los períodos de tiempo enumerados a continuación, siempre que no haya abuso, negligencia o mantenimiento indebido de su motor todo terreno pequeño. Su sistema de control de emisiones puede incluir piezas tales como el carburador, el filtro de aire, el sistema de encendido, el silenciador y el convertidor catalítico. También puede incluir conectores y otras unidades relacionadas con las emisiones. Donde exista una condición cubierta por la garantía, Sears reparará su pequeño motor todo terreno sin costo alguno incluyendo diagnóstico, piezas y mano de obra

**Cobertura de la garantía Sears para defectos en el control de emisiones**

Los motores todo terreno pequeños están garantizados en lo relativo al control de emisiones para defectos en piezas durante un período de dos años, sujeto

**Responsabilidades del propietario en relación con la garantía**

Como propietario del motor todo terreno pequeño, Ud. es responsable de la realización del mantenimiento requerido que se incluye en las instrucciones de operación y mantenimiento. Sears recomienda que se conserven todos los recibos relativos al mantenimiento de su motor todo terreno pequeño, pero no puede denegar la garantía simplemente por la falta de los mismos, o por su incumplimiento del mantenimiento programado. Como propietario del motor pequeño todoterreno debe saber que, sin embargo, Sears le puede negar la cobertura de la garantía si su motor todoterreno pequeño o una pieza del mismo han fallado debido a abuso, negligencia, mantenimiento indebido o

a las disposiciones que se indiquen a continuación. Si una parte de su motor cubierta por la garantía es defectuosa, Sears reparará o sustituirá dicha parte.

a modificaciones no aprobadas. Ud. es responsable de presentar su motor todoterreno pequeño a un distribuidor de servicios Sears autorizado tan pronto como aparezca un problema. Las reparaciones de la garantía sin conflicto deben completarse en un plazo de tiempo razonable, no superior a 30 días. Si tiene alguna pregunta respecto a sus derechos y responsabilidades referentes a la garantía, debe contactar con un representante de servicios Sears al 1--800--469--4663. La garantía de emisiones es una garantía por defectos. Los defectos se juzgan de acuerdo con el funcionamiento normal de un motor. La garantía no está relacionada con una prueba de emisiones en uso.

**Disposiciones de la garantía Sears para defectos en el control de emisiones**

Las siguientes son disposiciones específicas relacionadas con la cobertura de la garantía para defectos en el control de emisiones. Es un añadido a la garantía de motor Sears para motores no regulados que se encuentra en las instrucciones de funcionamiento y mantenimiento.

**1. Piezas con garantía**

La cobertura de esta garantía se extiende únicamente a las piezas que aparecen a continuación (las partes de los sistemas de control de emisiones), siempre que dichas piezas estuvieran ya en el motor en el momento de su compra.

- a. Sistema de medición de combustible
  - Sistema de enriquecimiento para arranque en frío
  - Carburador y partes internas
  - Bomba de combustible
- b. Sistema de inducción de aire
  - Filtro de aire
  - Colector de admisión
- c. Sistema de encendido
  - Bujía(s) de encendido
  - Sistema de encendido magneto
- d. Sistema del catalizador
  - Convertidor catalítico
  - Colector de escape
  - Sistema de inyección de aire o válvula de impulsos
- e. Elementos variados usados en los sistemas anteriores
  - Válvulas de vacío, sensibles a temperatura, posición y tiempo e interruptores
  - Conectores y montajes

**2. Alcance de la cobertura**

Sears garantiza al poseedor inicial y a los compradores subsiguientes que las piezas con garantía no tendrán defectos en materiales ni mano de obra que provoquen la falla de las mismas durante un período de dos años a partir de la fecha en que el motor se entrega a un comprador particular.

**3. Sin cargo**

La reparación o reemplazo de cualquier parte con garantía se realizará

sin cargo alguno para el poseedor, incluyendo tareas de diagnóstico que permitan determinar si una parte con garantía es defectuosa, siempre que dicho diagnóstico se realice en un distribuidor de servicios Sears autorizado. Para el servicio de la garantía de emisiones, contacte al distribuidor de servicios Sears autorizado más cercano incluido en las "Páginas amarillas" en las categorías "Motores, gasolina", "Motores de gasolina", "Podadoras de césped", o similares.

**4. Reclamaciones y exclusiones a la cobertura**

Las reclamaciones de la garantía deben enviarse de acuerdo con las disposiciones de la política de garantía para motores Sears. La cobertura de la garantía excluirá defectos en piezas con garantía que no sean partes originales Sears, o abuso, negligencia o mantenimiento incorrecto, tal y como se establece en la política de garantía para motores Sears. Sears no es responsable de las fallas en piezas con garantía provocadas por el uso de partes añadidas, que no sean originales o que se hayan modificado.

**5. Mantenimiento**

Cualquier parte con garantía que no esté programada para ser reemplazada como mantenimiento requerido, o que sólo deba inspeccionarse regularmente al efecto de "inspeccione o reemplace según sea necesario", estará garantizada contra defectos durante el período de la garantía. Todas las piezas garantizadas que estén programadas para su reemplazo para cumplir con los requisitos de mantenimiento estarán garantizadas sólo por el periodo anterior al primer reemplazo programado para dicha pieza. Cualquier pieza de recambio que sea equivalente en funcionamiento y durabilidad puede usarse para realizar mantenimiento o reparaciones. El propietario es responsable de realizar todo el mantenimiento requerido, tal y como se define en las instrucciones de funcionamiento y mantenimiento Sears

**6. Cobertura indirecta**

Por la presente, la cobertura se extiende a la falla de cualquier componente de motor provocada por la falla de una pieza con garantía que esté todavía en período de garantía.

En los Estados Unidos y Canadá hay una línea de atención de 24 horas, **1-800-469-4663**, que cuenta con un menú con mensajes pre-grabados que contienen

## Busque el período de duración de emisiones importantes y la información de clasificación de aire en la etiqueta de emisiones de su motor

Los motores cuyo cumplimiento con los estándares de emisión Tier 2 de la Comisión de Recursos Ambientales de California (CARB) esté certificado deben exhibir la información relacionada con el período de duración de las emisiones y la clasificación de aire. Sears, Roebuck and Co., de los Estados Unidos ponen esta información a disposición del consumidor en nuestras etiquetas de emisiones.

El Período de Duración de las Emisiones describe el número de horas de tiempo real de funcionamiento para el cual se certifica que el motor cumple con las reglas de emisión, descontando el mantenimiento adecuado del mismo según las instrucciones de operación y mantenimiento. Se utilizan las siguientes categorías:

**Moderado:** Se certifica que el motor cumple con las reglas de emisión durante 125 horas de tiempo real de funcionamiento del motor.

**Inmediato:** Se certifica que el motor cumple con las reglas de emisión durante 250 horas de tiempo real de funcionamiento del motor.

**Extendido:** Se certifica que el motor cumple con las reglas de emisión durante 500 horas de tiempo real de funcionamiento del motor.

Por ejemplo, una cortadora de césped típica que se empuja desde atrás se usa entre 20 y 25 horas por año. Por lo tanto, el **Período de Duración de Emisiones** de un motor con una **clasificación intermedia** sería equivalente a entre 10 y 12 años.

La **clasificación de aire** es un número calculado para describir el nivel relativo de emisiones para un grupo de motores en particular. Cuanto menor sea la **clasificación de aire**, mayor es la limpieza del motor. La información se presenta de forma gráfica en la etiqueta de emisiones.

### Después del 1 de julio de 2000, busque el período de cumplimiento de las reglas de emisiones en la etiqueta de cumplimiento de las reglas de emisiones del motor

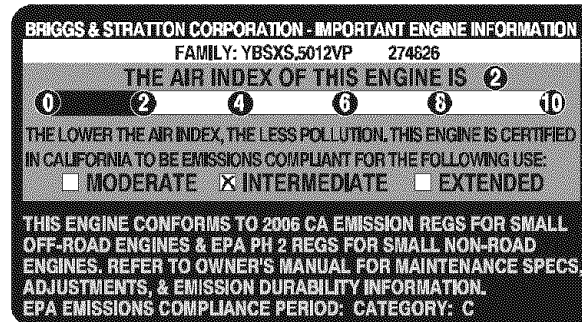
Después del 1 de julio de 2000 se certificará que determinados motores Sears, Roebuck and Co., de los Estados Unidos cumplen con los estándares de emisiones de la fase 2 de la Agencia de Protección Ambiental de los Estados Unidos (USEPA). Para los motores certificados para la etapa 2, el período de cumplimiento con las reglas de emisiones al cual se hace referencia en la etiqueta de cumplimiento con las reglas de emisiones indica el número de horas de funcionamiento para el cual se ha demostrado que el motor cumple con los requerimientos federales de emisión.

Para los motores con desplazamiento inferior a 225 cc, Categoría C = 125 horas, B = 250 horas y A = 500 horas.

Para los motores con desplazamiento de 225 cc o más, Categoría C = 250 horas, B = 500 horas y A = 1000 horas.

El desplazamiento de los motores de la serie modelo 150112 es 249 cc.

La presente es una representación genérica de la etiqueta de emisión que se encuentra generalmente en un motor certificado.



# Get it fixed, at your home or ours!

## Your Home

For repair – **in your home** – of **all** major brand appliances, lawn and garden equipment, or heating and cooling systems, **no matter who made it, no matter who sold it!**

For the replacement parts, accessories and owner's manuals that you need to do-it-yourself.

For Sears professional installation of home appliances and items like garage door openers and water heaters.

**1-800-4-MY-HOME® (1-800-469-4663)**

Call anytime, day or night (U.S.A. and Canada)

[www.sears.com](http://www.sears.com)      [www.sears.ca](http://www.sears.ca)

*For expert home solutions advice: [www.managemyhome.com](http://www.managemyhome.com)*

---

## Our Home

For repair of carry-in items like vacuums, lawn equipment, and electronics, call or go on-line for the location of your nearest

### Sears Parts & Repair Service Center

**1-800-488-1222 (U.S.A.)      1-800-469-4663 (Canada)**

Call anytime, day or night

[www.sears.com](http://www.sears.com)      [www.sears.ca](http://www.sears.ca)

---

To purchase a protection agreement on a product serviced by Sears:

**1-800-827-6655 (U.S.A.)**

**1-800-361-6665 (Canada)**

---

Para pedir servicio de reparación a domicilio, y para ordenar piezas:

**1-888-SU-HOGAR®**

(1-888-784-6427)

Au Canada pour service en français:

**1-800-LE-FOYER<sup>MC</sup>**

(1-800-533-6937)

[www.sears.ca](http://www.sears.ca)



## Free Manuals Download Website

<http://myh66.com>

<http://usermanuals.us>

<http://www.somanuals.com>

<http://www.4manuals.cc>

<http://www.manual-lib.com>

<http://www.404manual.com>

<http://www.luxmanual.com>

<http://aubethermostatmanual.com>

Golf course search by state

<http://golfingnear.com>

Email search by domain

<http://emailbydomain.com>

Auto manuals search

<http://auto.somanuals.com>

TV manuals search

<http://tv.somanuals.com>