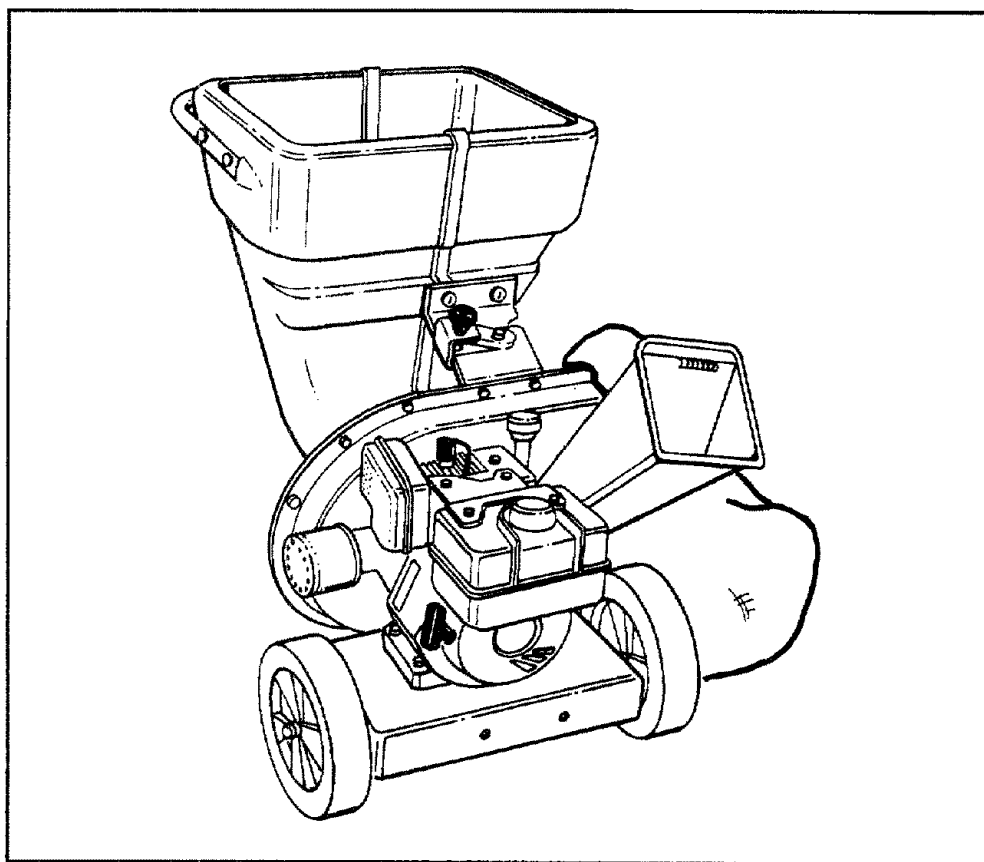


# **SEARS** **OWNER'S** **MANUAL**

**MODEL NO.**  
**247.795940**



## **CRAFTSMAN®**

**5 HORSEPOWER**  
**3 CUTTING STAGE**  
**MULCHING AND BAGGING**  
**CHIPPER-SHREDDER**

**Caution:**  
**Read and Follow**  
**All Safety Rules**  
**and Instructions**  
**Before Operating**  
**This Equipment**

**Assembly**  
**Operation**  
**Customer Responsibilities**  
**Service and Adjustment**  
**Repair Parts**

**SEARS, ROEBUCK AND CO., Hoffman Estates, IL 60179 U.S.A.**

# SAFETY RULES



**WARNING: TO REDUCE THE POTENTIAL FOR ANY INJURY, COMPLY WITH THE FOLLOWING SAFETY INSTRUCTIONS. FAILURE TO COMPLY WITH THE INSTRUCTIONS MAY RESULT IN PERSONAL INJURY.**

## TRAINING

- Read this owner's manual carefully in its entirety before attempting to assemble or operate this machine. Be completely familiar with the controls and the proper use of this machine before operating it. Keep this manual in a safe place for future and regular reference and for ordering replacement parts.
- Children must never be allowed to operate this equipment.
- No one should operate this unit while intoxicated or while taking medication that impairs the senses or reactions.
- This equipment should never be operated in the vicinity of children, pets or other persons.
- Never run your machine in an enclosed area as the exhaust from the engine contains carbon monoxide, which is an odorless, tasteless and deadly poisonous gas.
- Never place your hands or any part of your body or clothing inside the feeding chamber, discharge chute, or near any moving part while the machine or engine is running.
- If it is necessary for any reason to inspect or repair the feeding chamber or any part of the machine where a moving part can come in contact with your body or clothing, stop the machine, allow it to cool, disconnect the spark plug wire from the spark plug and move it away from the spark plug before attempting such inspection or repair.

## PREPARATION

- Wear safety glasses provided with your unit while operating the chipper-shredder to prevent injury from any material which may be ejected out of the openings.
- Wear proper apparel. Avoid wearing loose fitting clothing. Wear gloves when handling material.
- **HANDLE GASOLINE WITH CARE** as it is an extremely flammable fuel.
- Check the fuel before starting the engine. Do not fill the fuel tank indoors, while the engine is running, or while the engine is still hot. Turn the unit off and let the engine cool before refueling.
- Fuel your chipper-shredder in a clean area. Do not smoke while refueling.
- Fuel tank cap must be secure at all times except during refueling.
- Avoid spilling gasoline or oil. Wipe the unit clean of any spilled fuel or oil.
- Store fuel and oil in approved containers, away from heat or open flame, and out of reach of children.
- This machine should be operated only upon a level surface.
- Assure that all screws, nuts and bolts and other fasteners are properly secured.

## OPERATION

- When feeding shreddable material into this equipment, be extremely careful that pieces of metal, rocks, bottles, cans or other foreign objects are not included. Personal injury or damage to the machine could result.

- If the cutting mechanism strikes any foreign object or if your machine should start making an unusual noise or vibration, immediately stop the engine, disconnect the spark plug wire from the spark plug and move it away from the spark plug. Allow the machine to stop and take the following steps:
  - Inspect for damage.
  - Replace or repair any damaged parts.
  - Check for any loose parts and tighten to assure continued safe operation.
- The engine must be kept clean of debris and other accumulations.
- Do not allow an accumulation of processed material to build up in the discharge area as this will prevent proper discharge and can result in kick-back from feed opening.
- Never place your hands or any other part of your body or clothing inside the feeding chamber, discharge chute or near any moving part while the engine is running.
- Keep all guards and deflectors in place and in good working condition to assure continued safe operation.
- Always stand clear of the discharge area when operating this machine.
- Keep your face and body back from the feed opening to avoid accidental bounce back of any material.
- Do not over-reach. Keep proper balance and footing at all times.
- The engine governor settings on your machine must not be altered, changed, or tampered with. The governor controls the maximum safe operating speeds and protects the engine and all moving parts from damage caused by overspeed.
- Do not transport machine while engine is running.
- Do not operate engine if air cleaner or cover directly over carburetor air intake is removed, except for adjustment. Removal of such parts could create a fire hazard.

## MAINTENANCE AND STORAGE

- When this equipment is stopped for servicing, inspection, storage or to change an accessory, make sure the spark plug wire is disconnected from the spark plug and moved away from the spark plug. The machine should be allowed to cool down before making such inspection, adjustments, service, etc. Maintain your machine with care and keep it clean for the best and continued safe operation.
- Do not use flammable solutions to clean the air filter.
- When not in use, your machine should be stored out of the reach of children. Keep where gasoline fumes will not reach an open flame or spark. For long periods of storage, refer to the "Storage" section of this manual.



**LOOK FOR THIS SYMBOL TO POINT OUT IMPORTANT SAFETY PRECAUTIONS. IT MEANS—ATTENTION!!! BECOME ALERT!!! YOUR SAFETY IS INVOLVED.**

**CONGRATULATIONS** on your purchase of a Sears Craftsman Chipper-Shredder. It has been designed, engineered and manufactured to give you the best possible dependability and performance.

Should you experience any problem you cannot easily remedy, please contact your nearest Sears Service Center/Department in the United States. We have competent, well-trained technicians and the proper tools to service or repair this unit.

Please read and retain this manual. The instructions will enable you to assemble and maintain your chipper-shredder properly. Always observe the "SAFETY RULES."

MODEL  
NUMBER 247.795940

SERIAL  
NUMBER \_\_\_\_\_

DATE OF  
PURCHASE \_\_\_\_\_

THE MODEL AND SERIAL NUMBERS WILL BE FOUND ON A LABEL ATTACHED TO THE FRAME OF THE CHIPPER-SHREDDER.

YOU SHOULD RECORD BOTH SERIAL NUMBER AND DATE OF PURCHASE AND KEEP IN A SAFE PLACE FOR FUTURE REFERENCE.

## CUSTOMER RESPONSIBILITIES

- Read and observe the safety rules.
- Follow a regular schedule in maintaining, caring for and using your chipper-shredder.
- Follow the instructions under "Customer Responsibilities" and "Storage" sections of this Owner's Manual.

## PRODUCT SPECIFICATIONS

Horsepower:	5.0
Displacement:	12.00 cu. in.
Fuel Capacity:	1-7/8 Quarts (Unleaded)
Spark Plug (Gap .030 in.):	Champion J-8C (or Equivalent)
Ignition Air Gap:	.0125 in.

## MAINTENANCE AGREEMENT

A Sears Maintenance Agreement is available on this product. Contact your nearest Sears store for details.

**WARNING:** This unit is equipped with an internal combustion engine and should not be used on or near any unimproved forest-covered, brush-covered or grass-covered land unless the engine's exhaust system is equipped with a spark arrester meeting applicable local or state laws (if any). If a spark arrester is used, it should be maintained in effective working order by the operator.

In the State of California the above is required by law (Section 4442 of the California Public Resources Code). Other states may have similar laws. Federal laws apply on federal lands. A spark arrester for the muffler is available through your nearest Sears Authorized Service Center (See the REPAIR PARTS section of this manual.)

## WARRANTY

### ONE YEAR LIMITED WARRANTY ON CRAFTSMAN GAS CHIPPER-SHREDDER

For one year from the date of purchase, when this Craftsman Chipper-Shredder is maintained, lubricated and tuned up according to the instructions in the owner's manual, Sears will repair, free of charge, any defect in material and workmanship.

If this Craftsman Chipper-Shredder is used for commercial or rental purposes, this warranty applies for only 30 days from the date of purchase.

This warranty does not cover:

- Expendable items which become worn during normal use, such as blades, chipper blades, flails, air cleaners, spark plugs and catcher bags.
- Repairs necessary because of operator abuse or negligence, including bent crankshafts and the failure to maintain the equipment according to the instructions contained in the owner's manual.

WARRANTY SERVICE IS AVAILABLE BY RETURNING THE CRAFTSMAN CHIPPER-SHREDDER TO THE NEAREST SEARS SERVICE CENTER/DEPARTMENT IN THE UNITED STATES. THIS WARRANTY APPLIES ONLY WHILE THIS PRODUCT IS IN USE IN THE UNITED STATES.

This warranty gives you specific legal rights, and you may also have other rights which may vary from state to state.

SEARS, ROEBUCK AND CO., D/817WA, Hoffman Estates, IL 60179

# TABLE OF CONTENTS

SAFETY RULES.....2	CUSTOMER RESPONSIBILITIES .....10, 11
PRODUCT SPECIFICATIONS .....3	STORAGE .....12
MAINTENANCE AGREEMENT .....3	SERVICE AND ADJUSTMENT .....12-14
CUSTOMER RESPONSIBILITIES .....3	TROUBLE SHOOTING.....15
WARRANTY .....3	PARTS ORDERING/SERVICE.....15
INDEX .....4	REPAIR PARTS—CHIPPER-SHREDDER .....16, 17
ASSEMBLY .....5	REPAIR PARTS—ENGINE.....17-20
OPERATION .....6-10	

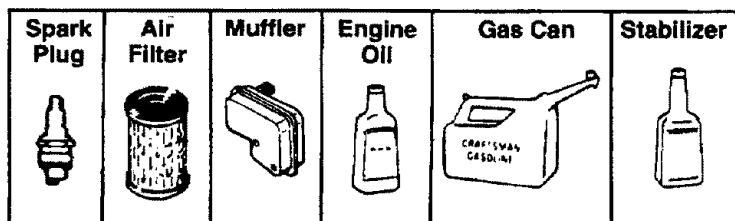
## INDEX

<p style="text-align: center;"><b>A</b></p> <p>Accessories .....4</p> <p>Adjustments:</p> <p style="padding-left: 20px;">Carburetor.....14</p> <p style="padding-left: 20px;">Engine Speed .....14</p> <p>Assembly Instructions:</p> <p style="padding-left: 20px;">Catcher Bag.....5</p> <p style="padding-left: 20px;">Chute Deflector.....5</p> <p style="text-align: center;"><b>C</b></p> <p>Catcher Bag.....5</p> <p>Controls .....6</p> <p>Customer Responsibilities .....3, 10, 11</p> <p style="text-align: center;"><b>E</b></p> <p>Engine:</p> <p style="padding-left: 20px;">Lubrication .....10</p> <p style="padding-left: 20px;">Maintenance .....10, 11</p> <p style="padding-left: 20px;">Starting .....9</p> <p style="padding-left: 20px;">Stopping.....7</p> <p style="padding-left: 20px;">Storage .....12</p> <p style="text-align: center;"><b>F</b></p> <p>Fuel.....8</p> <p style="text-align: center;"><b>L</b></p> <p>Lubrication .....10</p> <p style="text-align: center;"><b>M</b></p> <p>Maintenance:</p> <p style="padding-left: 20px;">Agreement .....3</p> <p style="padding-left: 20px;">Schedule.....10</p> <p style="padding-left: 20px;">Engine.....10, 11</p> <p style="padding-left: 20px;">Chipper-Shredder .....10</p>	<p style="text-align: center;"><b>O</b></p> <p>Oil .....8</p> <p>Operating Tips .....7, 8</p> <p style="text-align: center;"><b>R</b></p> <p>Repair/Replacement Parts .....16-20</p> <p>Responsibilities, Customer .....3, 10, 11</p> <p style="text-align: center;"><b>S</b></p> <p>Safety Rules .....2</p> <p>Sharpening .....13, 14</p> <p>Spark Plug .....11</p> <p>Specifications.....3</p> <p>Storage .....12</p> <p style="text-align: center;"><b>T</b></p> <p>Table of Contents .....4</p> <p>Trouble Shooting .....15</p> <p style="text-align: center;"><b>U</b></p> <p>Unclogging.....12</p> <p>Unpacking.....5</p> <p style="text-align: center;"><b>W</b></p> <p>Warranty .....3</p>
--	--

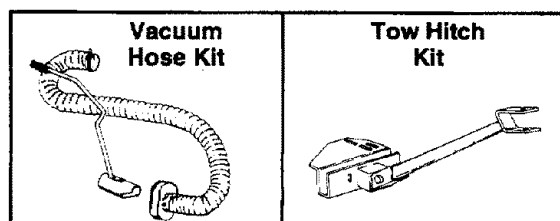
## CHIPPER-SHREDDER ACCESSORIES

These accessories were available when the chipper-shredder was purchased. They are also available at most Sears retail outlets, catalog and service centers. Most Sears stores can order repair parts for you, when you provide the model number of your chipper-shredder.

### ENGINE



### CHIPPER-SHREDDER



# ASSEMBLY INSTRUCTIONS

**IMPORTANT:** This unit is shipped WITHOUT GASOLINE or OIL. After assembly, see operation section of this manual for proper fuel and engine oil recommendations.

**NOTE:** To determine right and left hand sides of your chipper-shredder, stand behind and face the hopper (engine is at the front of the unit).

Your chipper-shredder has been completely assembled at the factory, except for the chute deflector and the catcher bag. A pair of safety glasses are also included in the carton.

## TO REMOVE CHIPPER-SHREDDER FROM CARTON

Cut the corners of the carton. Remove all packing inserts. Roll chipper-shredder out of the carton. Make certain all parts, literature and the safety glasses have been removed before the carton is discarded.

## TOOLS REQUIRED FOR ASSEMBLY

(2) 7/16" or Adjustable Wrenches

## HOW TO SET-UP YOUR CHIPPER-SHREDDER

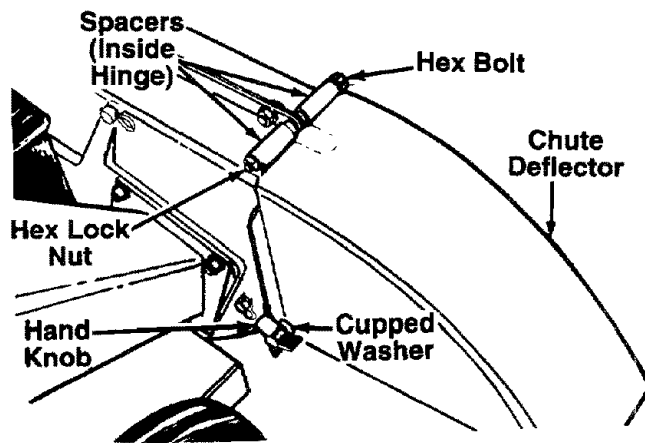
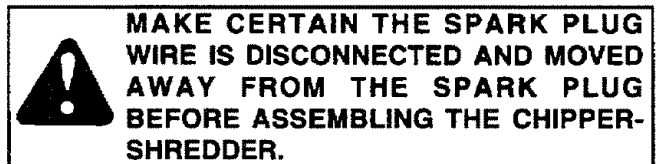


FIGURE 1.



### ATTACHING THE CHUTE DEFLECTOR

- Remove the hand knobs and cupped washers from each side of the discharge opening on the left side of the shredder.
- Remove the hex lock nut, two spacers and hex bolt from inside the hinge on top of the discharge opening. Do not remove one spacer from the hex bolt.
- Place the chute deflector in position on the discharge opening. Insert bolt through hinge on chute deflector and housing (spacer fits inside hinge).
- Place second spacer over the hex bolt, inside the other part of hinge. Secure with hex lock nut. Tighten securely.
- Secure both sides of the chute deflector to the housing using hand knobs and cupped washers (cupped side of washers go against chute deflector).

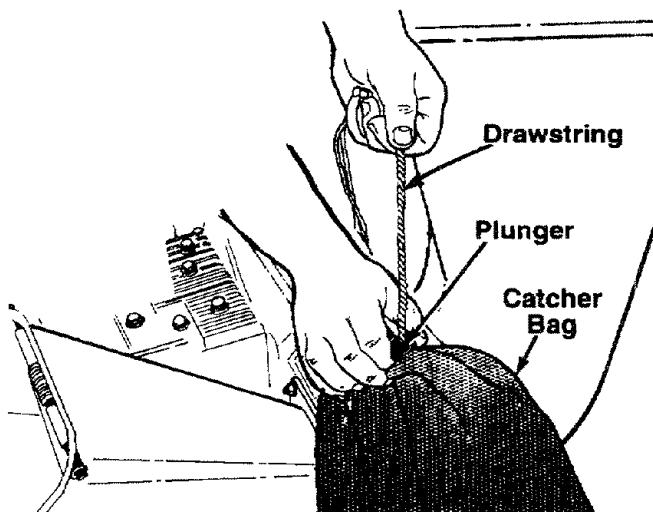


FIGURE 2.

### ATTACHING THE CATCHER BAG

Your chipper-shredder is equipped with a catcher bag to catch the shredded material.

- To attach bag, place bag opening over the chute deflector so it completely covers chute opening. Depress plunger on drawstring, pull on drawstring until bag is tight around chute opening. Release plunger to lock it into position. See figure 2.

# OPERATION

## KNOW YOUR CHIPPER-SHREDDER

READ THIS OWNER'S MANUAL AND SAFETY RULES BEFORE OPERATING YOUR CHIPPER-SHREDDER. Compare the illustrations with your chipper-shredder to familiarize yourself with the location of various controls and adjustments. Save this manual for future reference.

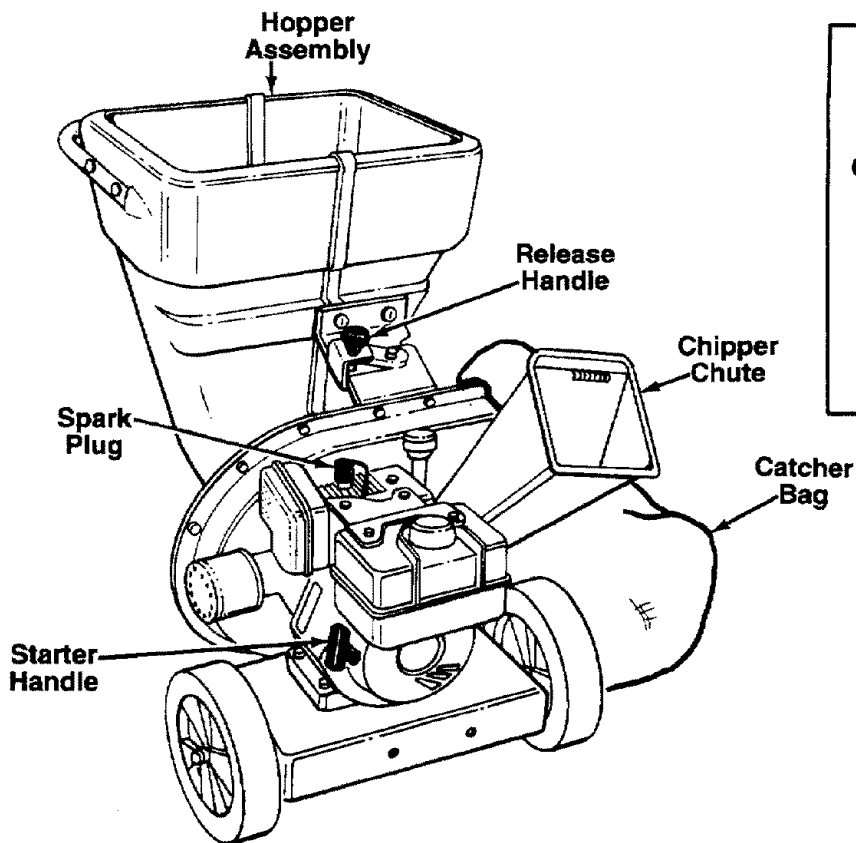


FIGURE 3.

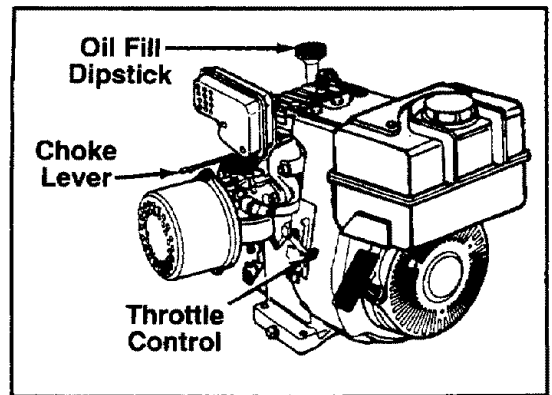


FIGURE 4.

## MEETS ANSI SAFETY STANDARDS

Sears chipper-shredders conform to the safety standards of the American National Standards Institute.

### OPERATING CONTROLS (See figures 3 and 4)

**CHOKE LEVER**—Used to enrich the fuel mixture in the carburetor when starting a cold engine.

**STARTER HANDLE**—Used to manually start the engine.

**THROTTLE CONTROL**—Controls engine speed and stops the engine.

**RELEASE HANDLE**—Used to release the hopper when lowering to the ground.

BEFORE USING YOUR CHIPPER-SHREDDER, AGAIN REFER TO THE "SAFETY RULES" AS SHOWN ON PAGE 2 OF THIS MANUAL. ALWAYS BE CAREFUL.



The operation of any chipper-shredder can result in foreign objects being thrown into the eyes, which can result in severe eye damage. Always wear the safety glasses provided with the chipper-shredder or eye shields before chipping or shredding, or while performing any adjustments or repairs. We recommend Wide Vision Safety Mask for over spectacles or standard glasses available at Sears Retail or Catalog Stores.

## TO STOP ENGINE

- Move throttle control lever to OFF position. See figure 4.
- Disconnect spark plug wire and move away from spark plug to prevent accidental starting while equipment is unattended.

## HOW TO USE YOUR CHIPPER-SHREDDER

Do not attempt to shred or chip any material other than vegetation found in a normal yard (i.e., branches, leaves, twigs, etc.).



**WARNING: THE CHIPPER-SHREDDER DISCHARGES MATERIALS WITH CONSIDERABLE VELOCITY. KEEP AWAY FROM THE AREA AROUND THE CHUTE DEFLECTOR. ALWAYS STOP THE ENGINE AND DISCONNECT THE SPARK PLUG WIRE WHEN REMOVING OR ATTACHING THE BAG WHEN CHANGING CONTAINERS OR WHEN REMOVING THE SHREDDED MATERIAL. WEAR SAFETY GLASSES AND GLOVES WHENEVER USING YOUR CHIPPER-SHREDDER.**

The chipper-shredder is designed for three different methods of operation.

- Leaves and small branches up to 1/2" diameter (recommended) or 1" diameter (maximum) can be fed into the hopper assembly when it is in the raised position. See figure 5. If it becomes necessary to push material into the chipper-shredder, use a small diameter stick—NOT YOUR HANDS. The stick should be small enough that it will be ground up if gets into the impeller assembly.



**WARNING: DO NOT PUT MATERIAL LARGER THAN 1/2" IN DIAMETER (RECOMMENDED) or 1" DIAMETER (MAXIMUM) INTO THE HOPPER ASSEMBLY. MATERIAL UP TO A MAXIMUM OF 3" IN DIAMETER MATERIAL MAY BE FED INTO THE CHIPPER CHUTE. DO NOT ATTEMPT TO SHRED OR CHIP ANY MATERIAL LARGER THAN 3" IN DIAMETER. PERSONAL INJURY OR DAMAGE TO THE MACHINE COULD RESULT.**

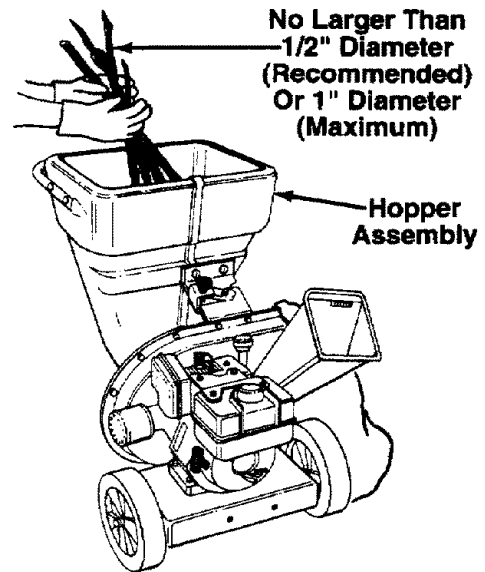


FIGURE 5.

- Leaves and small twigs can be raked into the hopper assembly when the hopper assembly is lowered to the ground. See figure 6. Small branches up to 1/2" diameter (recommended) or 1" diameter (maximum) can also be fed into the hopper assembly in this position. See figure 7.

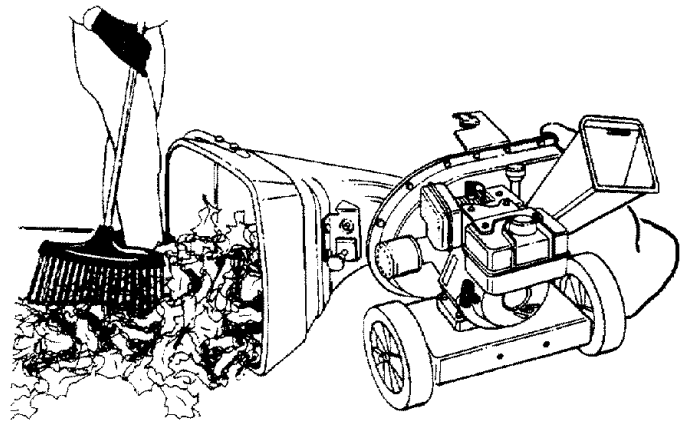


FIGURE 6.

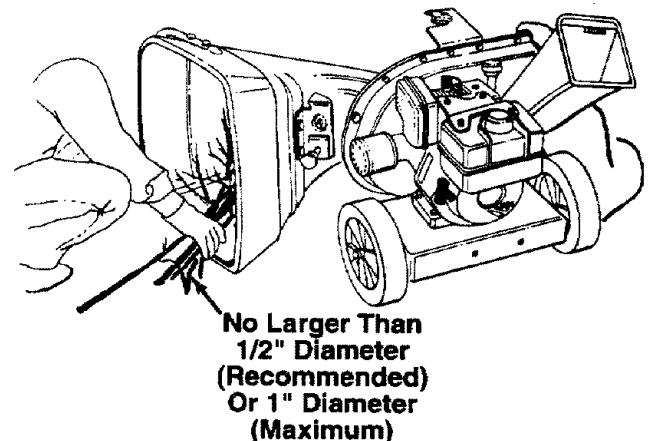


FIGURE 7.

- To lower the hopper assembly to the ground, use one hand to grasp the top of the hopper assembly. Push down on the release handle, and pivot the hopper assembly to the right. See figure 8.

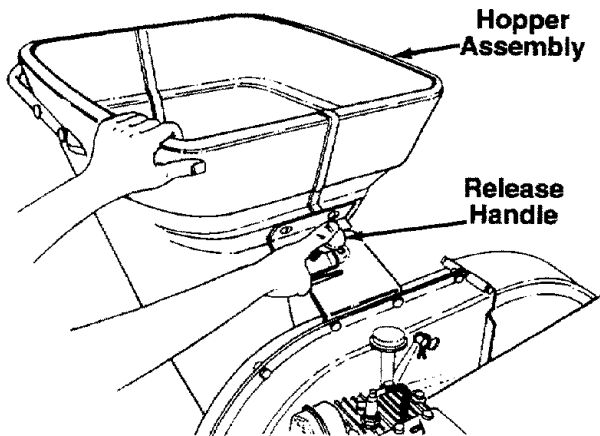


FIGURE 8.

- Bulky material, such as stalks or heavy branches, up to 3" in diameter, should be fed into the chipper chute. See figure 9.



**WARNING: MAKE CERTAIN THE CHIPPER CHUTE DOOR IS CLOSED WHEN NOT IN USE.**

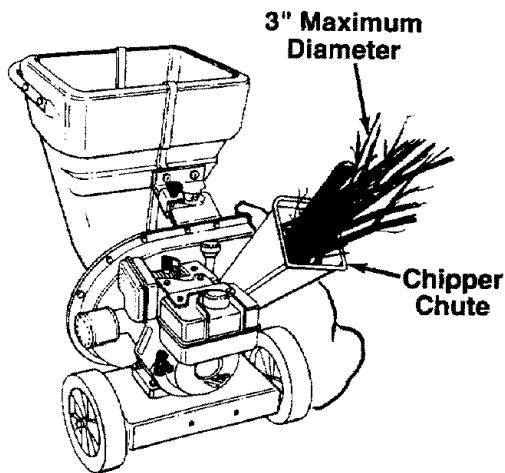
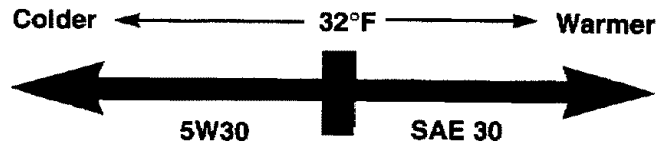


FIGURE 9.

**IMPORTANT:** There is a flail screen located inside the housing in the discharge area. If the flail screen becomes clogged, remove and clean as instructed in the Service and Adjustments section. For best performance, it is important to keep the shredding blade and the chipper blades sharp. If the composition of the material being discharged changes (becomes stringy, etc.) or if the rate at which the material is discharged slows down considerably, it is likely that the shredding blade and/or chipper blades are dull and need to be sharpened or replaced. Refer to Service and Adjustments section.

## GAS AND OIL FILL-UP OIL

Only use high quality detergent oil rated with API service classification SG. Select the oil's viscosity grade according to your expected operating temperature.



**NOTE:** Although multi-viscosity oils (5W30, 10W30, etc.) improve starting in cold weather, these multi-viscosity oils will result in increased oil consumption when used above 32°F. Check your oil level more frequently to avoid possible engine damage from running low on oil.

- Fill engine with oil as follows. Remove oil fill dipstick. See figure 10. With chipper-shredder level, use a funnel to fill engine with oil to FULL mark on dipstick. Capacity is approximately 1-1/4 pints. Be careful not to overfill. Tilt chipper-shredder toward the left (from behind the hopper), then re-level. Check oil level. Refill to FULL mark on dipstick if necessary. Replace dipstick and tighten.

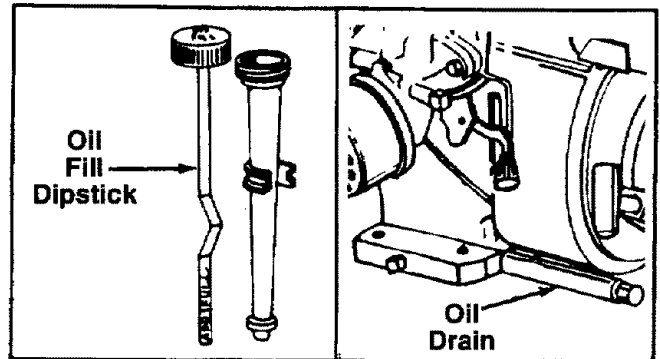


FIGURE 10.

## GAS

- Remove fuel cap and fill fuel tank with about 1-7/8 quarts of clean, fresh, lead-free grade automotive gasoline. **DO NOT** use Ethyl or high octane gasoline. Be certain container is clean and free from rust or foreign particles. Never use gasoline that may be stale from long periods of storage in the container. Replace fuel cap.



**WARNING: DO NOT FILL CLOSER THAN 1/2 INCH OF TOP OF FUEL TANK TO PREVENT SPILLS AND TO ALLOW FOR FUEL EXPANSION. IF GASOLINE IS ACCIDENTLY SPILLED, MOVE CHIPPER-SHREDDER AWAY FROM AREA OF SPILL. AVOID CREATING ANY SOURCE OF IGNITION UNTIL GASOLINE VAPORS HAVE DISAPPEARED.**



Check the fuel level periodically to avoid running out of gasoline while operating the chipper-shredder. If the unit runs out of gas as it is shredding or chipping, it may be necessary to unclog the unit before it can be restarted. Refer to "Removing the Flail Screen" in SERVICE AND ADJUSTMENT section.

**WARNING: EXPERIENCE INDICATES THAT ALCOHOL BLENDED FUELS (CALLED GASOHOL OR USING ETHANOL OR METHANOL) CAN ATTRACT MOISTURE WHICH LEADS TO SEPARATION AND FORMATION OF ACIDS DURING STORAGE. ACIDIC GAS CAN DAMAGE THE FUEL SYSTEM OF AN ENGINE WHILE IN STORAGE. TO AVOID ENGINE PROBLEMS, THE FUEL SYSTEM SHOULD BE EMPTIED OR TREATED WITH FUEL STABILIZER BEFORE STORAGE FOR 30 DAYS OR LONGER. USE FRESH FUEL NEXT SEASON. SEE "STORAGE" SECTION FOR ADDITIONAL INFORMATION.**

**NEVER USE ENGINE OR CARBURETOR CLEANER PRODUCTS IN THE FUEL TANK OR PERMANENT DAMAGE MAY OCCUR.**

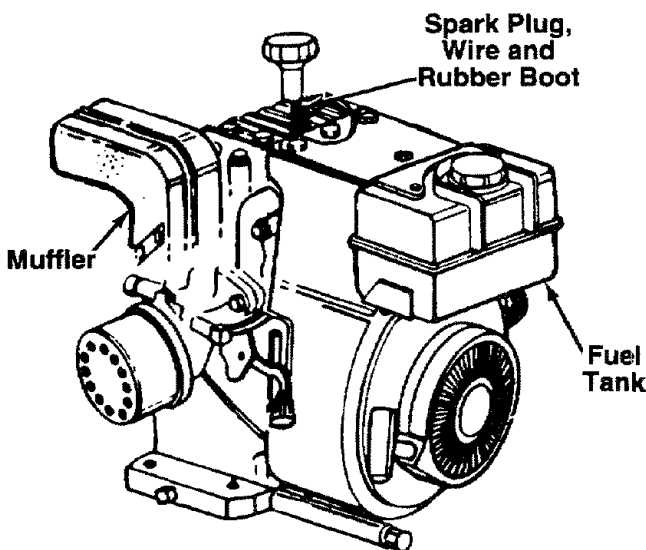


FIGURE 11.

## TO START ENGINE



**WARNING: BE SURE NO ONE OTHER THAN THE OPERATOR IS STANDING NEAR THE CHIPPER-SHREDDER WHILE STARTING OR OPERATING. DO NOT OPERATE THIS CHIPPER-SHREDDER UNLESS THE CHUTE DEFLECTOR HAS BEEN PROPERLY INSTALLED AND IS SECURED WITH THE HAND KNOBS.**

- Attach spark plug wire and rubber boot to spark plug if necessary. See figure 11.
- Place the throttle control lever in FAST position. See figure 12.

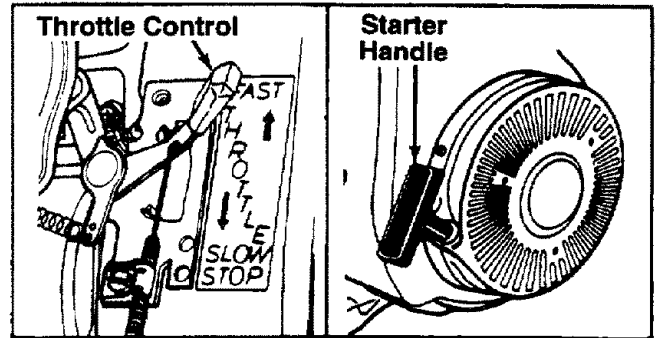


FIGURE 12.

- Move choke lever to CHOKE position (See figure 13.).
- Grasp starter handle (see figure 12) and pull rope out slowly until engine reaches start of compression cycle (rope will pull slightly harder at this point). Let the rope rewind slowly.

**NOTE:** A noise will be heard when finding the start of the compression cycle. This noise is caused by the flails and fingers which are part of the shredding mechanism falling into place, and should be expected. In addition, the flails and fingers will be noisy after the engine is started, until the impeller reaches full speed.

- Pull rope with a rapid, continuous, full arm stroke. Keep a firm grip on start handle. Let rope rewind slowly. Do not let starter handle snap back against starter.
- Repeat preceding two instructions until engine fires. When engine starts, move choke lever on engine halfway between CHOKE and RUN.

**NOTE:** If engine does not fire after three attempts, move choke lever halfway between CHOKE and RUN position and try again. See figure 13.

- Move throttle control to IDLE position for a few minutes warm-up. Move choke lever to RUN position as engine warms up.

**NOTE:** In order to idle smoothly, a new engine may require 3 to 5 minutes running above slow idle speed. Idle speed has been adjusted to be correct after this break-in period.

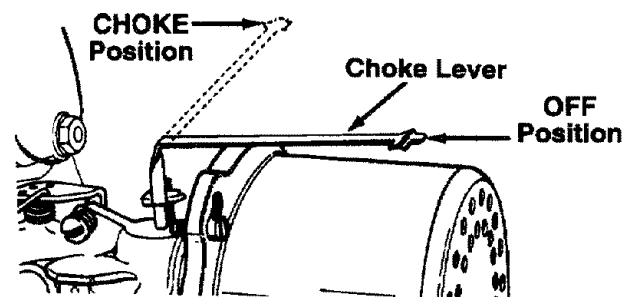


FIGURE 13.

## TO STOP ENGINE

- Move throttle control lever to OFF position. See figure 13.

- Disconnect spark plug wire and move away from spark plug to prevent accidental starting while equipment is unattended.

## CUSTOMER RESPONSIBILITIES

MAINTENANCE SCHEDULE FILL IN DATES AS YOU COMPLETE REGULAR SERVICE								SERVICE DATES						
		BEFORE EACH USE	AFTER EACH USE	FIRST FIVE HOURS	EVERY 25 HOURS	EVERY 50 HOURS	BEFORE STORAGE							
PRODUCT	Oil Pivot Points						✓							
	Clean Shredder		✓				✓							
ENGINE	Check Engine Oil	✓												
	Change Engine Oil			✓	✓									
	Service Air Cleaner				✓									
	Clean Engine Cylinder				✓		✓							
	Spark Plug				✓		✓							
	Muffler					✓								

✓ CHECK

## GENERAL RECOMMENDATIONS



**WARNING: ALWAYS STOP THE ENGINE AND DISCONNECT THE SPARK PLUG WIRE BEFORE PERFORMING ANY MAINTENANCE OR ADJUSTMENTS.**

- Periodically check all fasteners and be sure they are tight.
- Follow the Maintenance Schedule above.

## CHIPPER-SHREDDER

### LUBRICATION

Lubricate the pivot points on the release handle, hopper assembly, chute deflector and chipper chute once a season using a light oil.

### CLEANING

- The chipper-shredder may be cleaned by running water from a hose through the hopper assembly and chipper chute with the engine running. Allow the chipper-shredder to dry thoroughly.
- Wash the bag periodically with water. Allow to dry thoroughly in the shade. Do not use heat.

## ENGINE

### ENGINE OIL

Only use high quality detergent oil rated with API service classification SG. Select the oil's viscosity grade according to your expected operating temperature.

Colder ← 32°F → Warmer



**NOTE:** Although multi-viscosity oils (SE30, 10W30, etc.) improve starting in cold weather, these multi-viscosity oils will result in increased oil consumption when used above 32°F. Check your oil level more frequently to avoid possible engine damage from running low on oil.

Your four-cycle engine will normally consume some oil—therefore, check engine oil level regularly approximately every five hours of operation and before each usage. Stop engine and wait several minutes before checking oil level. With engine level, the oil must be to FULL mark on dipstick (refer to figure 10). Change engine oil after the first five hours of operation, and every twenty-five hours thereafter.

### To Drain Oil:

- Drain oil while engine is warm.
  - a. Remove oil drain cap. Refer to figure 10. Catch oil in a suitable container.
  - b. When engine is drained of all oil, replace drain cap securely.
- Refill with fresh oil. Refer to GAS AND OIL FILL-UP section.
- Replace dipstick.

### AIR CLEANER

The air cleaner prevents damaging dirt, dust, etc., from entering the carburetor and being forced into the engine and is important to engine life and performance.

**Never run your engine without air cleaner completely assembled.**

### To Service Air Cleaner:

Service pre-cleaner after every 25 hours of use, or at least once a season. Service cartridge every 100 hours of use, or at least once a season. Service pre-cleaner and cartridge more often under dusty conditions.

- Loosen (do not remove) the two screws which secure the cover.
- Turn the cover counterclockwise and remove it from the base.
- Carefully remove pre-cleaner and cartridge.
- Clean the inside of base and cover thoroughly.
- Clean cartridge by tapping gently on a flat surface. If very dirty, replace cartridge and pre-cleaner or clean as follows:

Wash in a low or non-sudsing detergent and warm water solution. **CAUTION:** Do not use petroleum solvents such as kerosene to clean cartridge.

Rinse thoroughly with flowing water from inside out until water is clear.

Allow cartridge to stand and air dry **thoroughly** before using. **DO NOT OIL CARTRIDGE OR PRE-CLEANER. DO NOT USE PRESSURIZED AIR TO CLEAN OR DRY CARTRIDGE.**

- Reassemble cover to engine. Tighten the two screws securely.

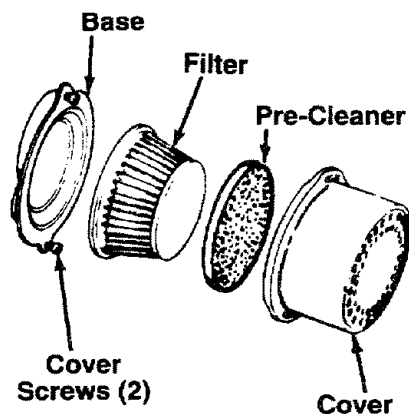


FIGURE 14.

### CLEAN ENGINE

Clean engine periodically. Remove dirt and debris with a cloth or brush. Cleaning with a forceful spray of water is not recommended as water could contaminate the fuel system.

Yearly or every 25 hours, whichever occurs first, remove the blower housing and clean the areas shown in figure 15 to avoid overspeeding, overheating and engine damage. Clean more often if necessary.



**WARNING: PERIODICALLY CLEAN MUFFLER AREA TO REMOVE ALL GRASS, DIRT AND COMBUSTIBLE DEBRIS.**

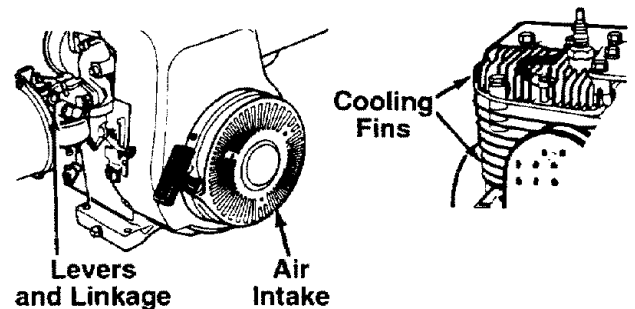


FIGURE 15.

### SPARK PLUG

The spark plug should be cleaned and the gap reset to .030" at least once a season or every 50 hours of operation. See figure 16. Spark plug replacement is recommended at the start of each season. Refer to engine parts list for correct spark plug type.

**NOTE:** Do not sandblast spark plug. Spark plug should be cleaned by scraping or wire brushing and washing with a commercial solvent.

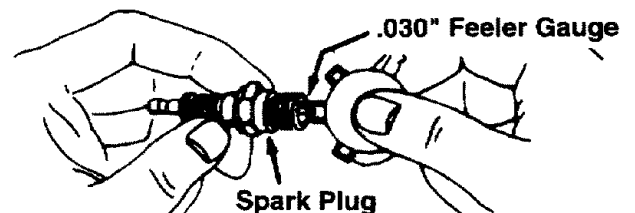


FIGURE 16.

### MUFFLER

Do not operate the chipper-shredder without a muffler or tamper with the exhaust system. Damaged mufflers or spark arresters could create a fire hazard. Inspect periodically, and replace if necessary. If your engine is equipped with a spark arrester screen assembly, remove every 50 hours for cleaning and inspection. Replace if damaged.

---

## STORAGE

---

Prepare your chipper-shredder for storage at the end of the season or if the unit will not be used for 30 days or more.



**WARNING: NEVER STORE MACHINE WITH FUEL IN THE FUEL TANK INSIDE OF BUILDING WHERE FUMES MAY REACH AN OPEN FLAME OR SPARK, OR WHERE IGNITION SOURCES ARE PRESENT SUCH AS HOT WATER AND SPACE HEATERS, FURNACES, CLOTHES DRYERS, STOVES, ELECTRIC MOTORS, ETC.**

**NOTE:** A yearly check-up by your local Sears Service Center is a good way to make certain your chipper-shredder will provide maximum performance for the next season.

### CHIPPER-SHREDDER

- Clean the chipper-shredder thoroughly.
- Wipe unit with an oiled rag to prevent rust (use a light oil or silicone).

### ENGINE

**IMPORTANT:** IT IS IMPORTANT TO PREVENT GUM DEPOSITS FROM FORMING IN ESSENTIAL FUEL SYSTEM PARTS SUCH AS CARBURETOR, FUEL FILTER, FUEL HOSE, OR TANK DURING STORAGE. ALSO, EXPERIENCE INDICATES THAT ALCOHOL BLENDED FUELS (CALLED GASOHOL OR USING ETHANOL OR METHANOL) CAN ATTRACT MOISTURE WHICH LEADS TO SEPARATION AND FORMATION OF ACIDS DURING STORAGE. ACIDIC GAS CAN DAMAGE THE FUEL SYSTEM OF AN ENGINE WHILE IN STORAGE.

- Drain the fuel tank.
- Start the engine and let it run until the fuel lines and carburetor are empty.
- Never use engine or carburetor cleaner products in the fuel tank or permanent damage may occur.
- Use fresh fuel next season.

**NOTE:** Fuel stabilizer is an acceptable alternative in minimizing the formation of fuel gum deposits during storage. Add stabilizer to gasoline in fuel tank or storage container. Always follow the mix ratio found on stabilizer container. Run engine at least 10 minutes after adding stabilizer to allow the stabilizer to reach the carburetor. Do not drain the gas tank and carburetor if using fuel stabilizer.

- Drain all the oil from the crankcase (this should be done after the engine has been operated and is still warm) and refill the crankcase with fresh oil.
- If you have drained the fuel tank, protect the inside of the engine as follows. Remove spark plug, pour approximately 1/2 ounce (approximately one table-spoon) of engine oil into cylinder and crank slowly to distribute oil. Replace spark plug.

### OTHER

- Do not store gasoline from one season to another.
- Replace your gasoline can if your can starts to rust. Rust and/or dirt in your gasoline will cause problems.
- Store unit in a clean, dry area. Do not store next to corrosive materials, such as fertilizer.

**NOTE:** If storing in an unventilated or metal storage shed, be certain to rustproof the equipment by coating with a light oil or silicone.

---

## SERVICE & ADJUSTMENT

---



**WARNING: ALWAYS STOP ENGINE AND DISCONNECT SPARK PLUG WIRE AND MOVE IT AWAY FROM SPARK PLUG BEFORE PERFORMING ANY ADJUSTMENTS OR REPAIRS.**

### REMOVING THE FLAIL SCREEN

If the discharge area becomes clogged, remove the flail screen and clean area as follows.

- Stop the engine, make certain the chipper-shredder has come to a complete stop and disconnect spark plug wire from the spark plug before unclogging the chute.

- Loosen the two hand knobs on each side of the chute deflector. Lift the chute deflector up, and tie it out of the way.
- Remove two hairpin clips from the clevis pins which extend through the housing. Remove the clevis pins. Lift the flail screen from inside the housing. See figure 17.
- Clean the screen by scraping or washing with water. Reinstall the screen.

**NOTE:** Be certain to reassemble the flail screen with the curved side down as shown in figure 17.

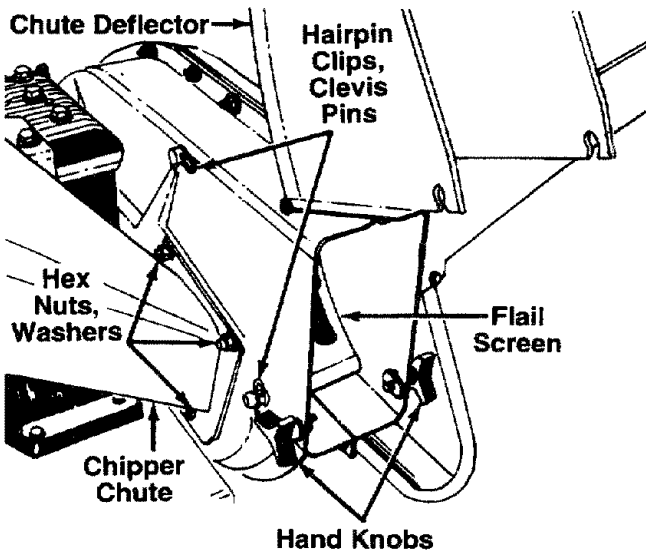


FIGURE 17.

### SHARPENING OR REPLACING THE BLADES CHIPPER BLADES

- Disconnect spark plug wire and move it away from spark plug.
- Remove the flail screen as instructed in previous section.
- Remove the chipper chute by removing three hex nuts and washers. A 1/2" wrench is required. See figure 17.

**NOTE:** When reassembling, the cupped washer goes on the bottom of the chipper chute with the cupped side against the chute.

- Rotate the impeller assembly by hand until you locate one of the chipper blades in the chipper chute opening. Remove the blade, using a 3/16" allen wrench on the outside of the blade and 1/2" wrench on the impeller assembly (inside the housing). See figure 18.
- Remove the other blade in the same manner.

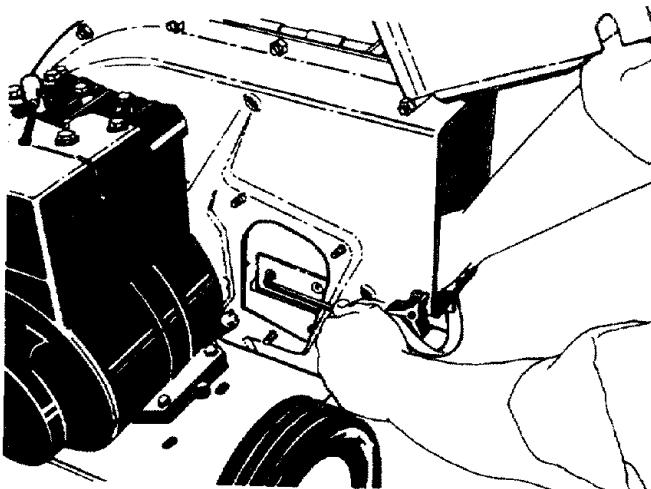


FIGURE 18.

Replace or sharpen blades. If sharpening, make certain to remove an equal amount from each blade. Reassemble in reverse order.

Make certain blades are reassembled with the sharp edge facing the direction shown in figure 18 (sharp edge is assembled toward the slotted opening in the impeller assembly).

### SHREDDING BLADE

The shredding blade may be removed for sharpening or replacement as follows.

- Disconnect spark plug wire and move it away from spark plug.
- Lower the hopper assembly. Block up the housing. See figure 19.
- Remove the six hex lock nuts and lock washers from the housing weld bolts using a 1/2" wrench. Separate the chipper-shredder into two halves.
- Remove the back-up plate.

**NOTE:** When reassembling, make certain the opening on the back-up plate is toward the bottom of the unit. The back-up plate may be reversed to provide a new cutting edge.

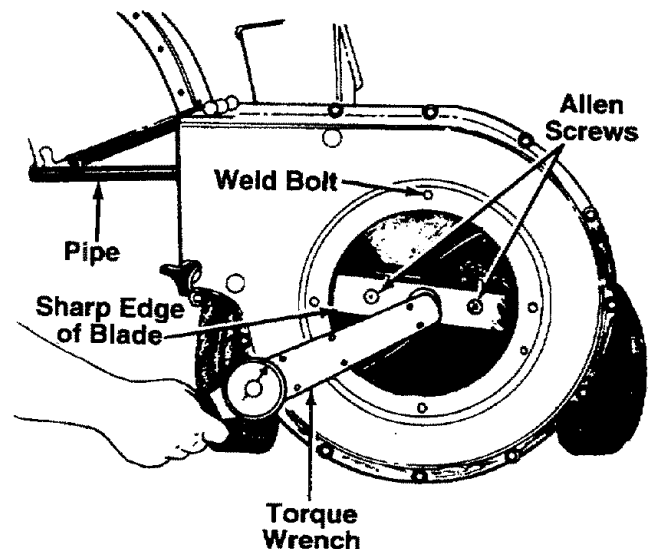
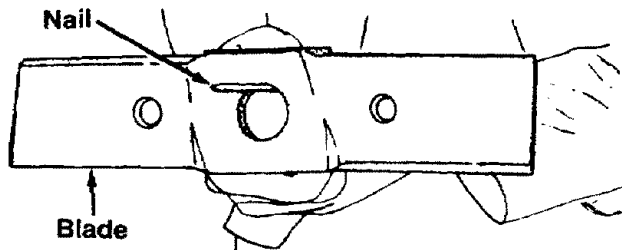


FIGURE 19.

- Loosen the two hand knobs and cupped washers which secure the chute deflector, and raise the chute deflector.
- Insert a 1/2" or 3/4" diameter pipe through the flail screen into the impeller to keep it from turning, or remove the flail screen and insert a piece of wood (2 x 4) into the chute opening.
- Remove the two outside screws on the blade, using a 3/16" allen wrench and a 1/2" wrench.
- Remove the blade by removing the center bolt, lock washer and flat washer.

**NOTE:** Use caution when removing the blade to avoid contacting the weld bolts on the housing.

- When sharpening the blade, follow the original angle of grind as a guide. It is extremely important that each cutting edge receives an equal amount of grinding to prevent an unbalanced blade. An unbalanced blade will cause excessive vibration when rotating at high speeds and may cause damage to the unit.
- The blade can be tested for balance by balancing it on a round shaft screwdriver or nail. Remove metal from the heavy side until it is balanced evenly. See figure 20.



**FIGURE 20.**

- When reassembling the blade, tighten to between 550 and 650 inch pounds, or lacking torque wrench, tighten securely.

## **FLAILS**

The flails, located inside the housing, may be reversed when they become dull. It is suggested that this procedure be performed by your nearest Sears Service Department.

## **CARBURETOR ADJUSTMENT**



**WARNING: IF ANY ADJUSTMENTS ARE MADE TO THE ENGINE WHILE THE ENGINE IS RUNNING (E.G. CARBURETOR), KEEP CLEAR OF ALL MOVING PARTS. BE CAREFUL OF HEATED SURFACES AND MUFFLER.**

The carburetor has been pre-set at the factory and should not require adjustment. However, if your engine does not operate properly due to suspected carburetor problems, take your shredder to your nearest SEARS Service Center.

## **ENGINE SPEED**

Your engine speed has been factory set. Do not attempt to increase engine speed or it may result in personal injury. If you believe the engine is running too fast or too slow, take your chipper-shredder to the nearest SEARS Service Center for repair and adjustment.

## TROUBLE SHOOTING

PROBLEM	POSSIBLE CAUSE(S)	CORRECTIVE ACTION
Engine fails to start	<ul style="list-style-type: none"> <li>● Fuel tank empty, or stale fuel.</li> <li>● Spark plug wire disconnected.</li> <li>● Faulty spark plug.</li> </ul>	<ul style="list-style-type: none"> <li>● Fill tank with clean, fresh fuel.</li> <li>● Connect wire to spark plug.</li> <li>● Clean, adjust gap or replace.</li> </ul>
Loss of power; operation erratic	<ul style="list-style-type: none"> <li>● Spark plug wire loose.</li> <li>● Unit running on CHOKE.</li> <li>● Blocked fuel line or stale fuel.</li> <li>● Water or dirt in fuel system.</li> <li>● Carburetor out of adjustment.</li> <li>● Dirty air cleaner.</li> </ul>	<ul style="list-style-type: none"> <li>● Connect and tighten spark plug wire.</li> <li>● Move choke lever to OFF position.</li> <li>● Clean fuel line; fill tank with clean fresh gasoline.</li> <li>● Disconnect fuel line at carburetor to drain fuel tank. Refill with fresh fuel.</li> <li>● Adjust carburetor or contact your SEARS Service Center.</li> <li>● Service air cleaner. See Customer Responsibilities section of this manual.</li> </ul>
Engine overheats	<ul style="list-style-type: none"> <li>● Carburetor not adjusted properly.</li> <li>● Engine oil level low.</li> </ul>	<ul style="list-style-type: none"> <li>● Contact your SEARS Service Center.</li> <li>● Fill crankcase with proper oil.</li> </ul>
Too much vibration	<ul style="list-style-type: none"> <li>● Loose parts or damaged impeller.</li> </ul>	<ul style="list-style-type: none"> <li>● Stop engine immediately and disconnect spark plug wire. Tighten all bolts and nuts. Make all necessary repairs. If vibration continues, have unit serviced by a SEARS Service Center.</li> </ul>
Unit does not discharge	<ul style="list-style-type: none"> <li>● Discharge chute clogged.</li> <li>● Foreign object lodged in impeller.</li> </ul>	<ul style="list-style-type: none"> <li>● Stop engine immediately and disconnect spark plug wire. Clean flail screen and inside of blower housing. See Service/Adjustments section of this manual.</li> <li>● Stop engine immediately and disconnect spark plug wire. Remove lodged object.</li> </ul>
Rate of discharge slows considerably or composition of discharged material changes	<ul style="list-style-type: none"> <li>● Shredding blade and/or chipper blades dull.</li> </ul>	<ul style="list-style-type: none"> <li>● Sharpen or replace shredding and chipper blades.</li> </ul>

NOTE: For repairs beyond the minor adjustments listed above, please contact your nearest SEARS Service Center.

## HOW TO ORDER REPLACEMENT PARTS

Each chipper-shredder has its own model number.  
Each engine has its own model number.

The model number for your chipper-shredder will be found on a label attached to the frame.

The model number for the engine will be found on the blower housing of the engine.

All parts listed herein may be ordered through Sears, Roebuck and Co. Service Centers and most Retail Stores.

**WHEN ORDERING REPAIR PARTS, ALWAYS GIVE THE FOLLOWING INFORMATION:**

**\*PRODUCT - "5 H.P. Chipper-Shredder"**

**\*MODEL NUMBER - 247.795940**

**\*ENGINE MODEL NO. - HS50-67344G**

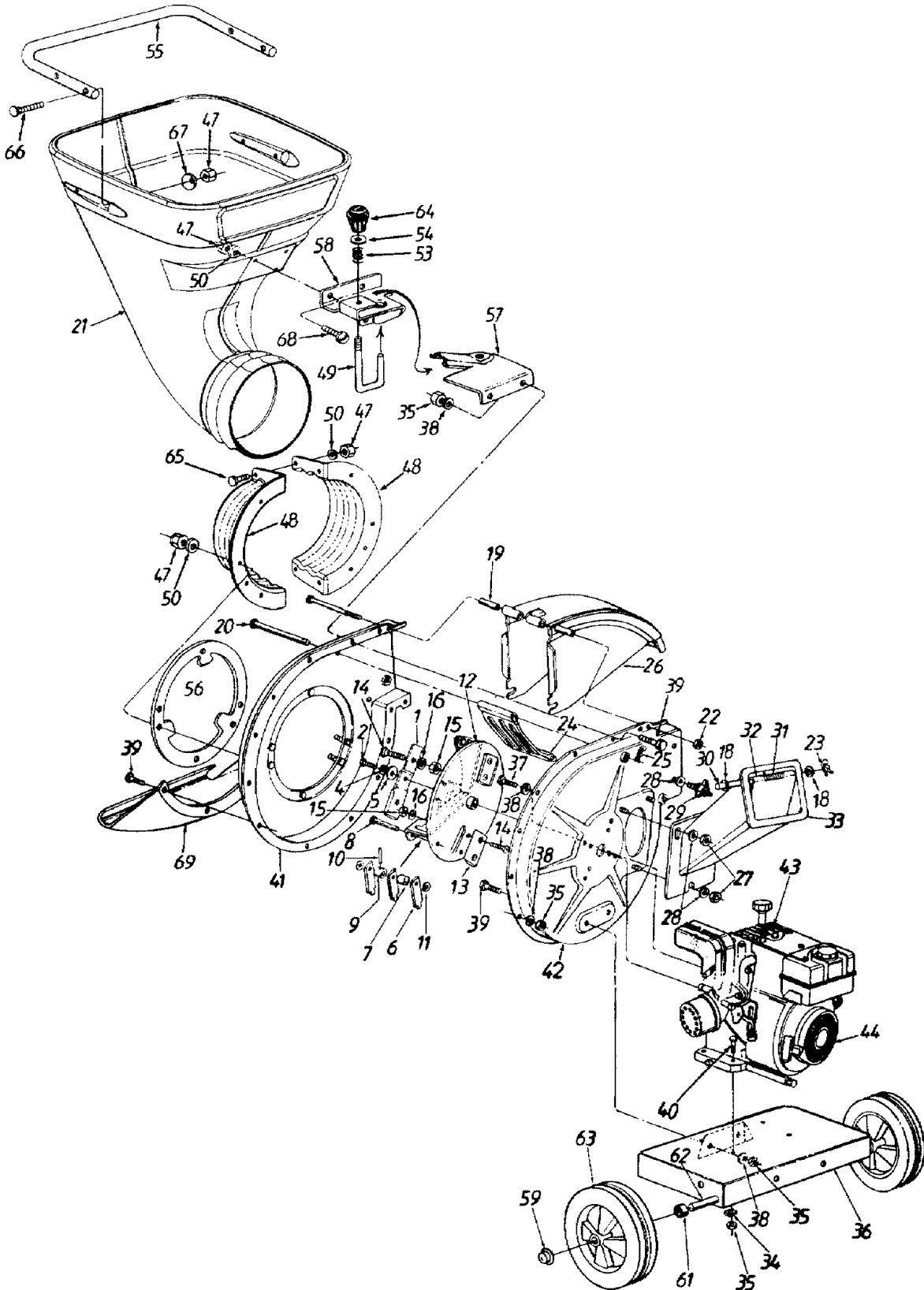
**\*PART NUMBER**

**\*PART DESCRIPTION**

Your Sears merchandise has added value when you consider that Sears has service units nationwide staffed with Sears trained technicians...professional technicians specifically trained on Sears products, having the parts, tools and the equipment to insure that we meet our pledge to you..."we service what we sell."

# SEARS CRAFTSMAN 5 H.P. CHIPPER-SHREDDER MODEL NO. 247.795940

## Repair Parts





# SEARS CRAFTSMAN 5 H.P. CHIPPER-SHREDDER MODEL NO. 247.795940

## Repair Parts

KEY NO.	PART NO.	DESCRIPTION	KEY NO.	PART NO.	DESCRIPTION
1	742-0571	Blade	36	781-0510A	Shredder Frame
2	710-1254	Hex Patch Bolt 3/8-24 x 2.25" Lg.	37	710-0157	Hex Bolt 5/16-24 x .75" Lg.
4	736-0217	L-Wash. 3/8" I.D. H.D.	38	736-0119	L-Wash. 5/16" I.D.*
5	736-0247	Fl-Wash. .406" I.D. x 1.25" O.D. Hdn.	39	710-3008	Hex Bolt 5/16-18 x .75" Lg. (Gr. 5)
6	11459B	Flail	40	710-0442	Hex Bolt 5/16-18 x 1.5" Lg.*
7	711-0564	Flail Spacer	41	681-0004	Flail Housing Ass'y.—L.H.
8	711-0833A	Clevis Pin .496" Dia.	42	781-0474A	Flail Housing Ass'y.—R.H.
9	711-0834	Flail Spacer w/.160" Dia. Hole	43	735-0639	Spark Plug Boot
10	715-0249	Spring Roll Pin 1.12" Lg.	44	HS50-67344G	Engine—Tecumseh HS50-67344G
11	736-0192	Fl-Wash. .531" I.D. x .94" O.D.	47	712-0429	Elastic Lock Nut 5/16-18 Thd.
12	681-0030	Impeller Ass'y. Comp.†	48	731-1428	Hopper Mtg. Collar
13	781-0490	Chipper Blade	49	781-0568	Locking Pin
14	710-1054	Flat Hd. Scr. 5/16-24 x .75" Lg.	50	736-0264	Fl-Wash. 5/16" I.D.
15	712-0411	Hex Top L-Nut 5/16-24 (Gr. 5)	53	732-0730	Spring 1.5" Lg.
16	736-0119	L-Wash. 5/16" I.D.*	54	736-0117	Fl-Wash. .385" I.D. x .62" O.D.
17	710-0825	Hex Bolt 1/4-20 x 3.75" Lg.*	55	749-0932	Handle
18	736-0142	Fl-Wash. .281" I.D. x .50" O.D.	56	781-0574	Back-Up Plate
19	750-0793	Chute Hinge Spacer 1.66" Lg.	57	781-0562	Lower Locking Brkt.
20	711-0835	Clevis Pin .5" Dia. x 4.62" Lg.	58	781-0561	Upper Locking Brkt.
21	731-1427	Rotating Hopper	59	726-0214	Push Cap 5/8" Dia. Rod
22	712-0291	Hex Ctr. L-Nut 1/4-20 Thd.	61	750-0786	Spacer .64" I.D. x .38" Lg.
23	714-3010	Cotter Pin	62	738-0814	Shredder Axle
24	781-0457	Shredder Screen	63	734-1600	Wheel Ass'y. Comp.
25	714-0149B	Internal Cotter Pin 3/8" Dia.	64	720-0232	Knob
26	781-0480	Chute Deflector Ass'y.	65	710-0376	Hex Bolt 5/16-18 x 1" Lg. (Gr. 5)
27	712-3010	Hex Nut 5/16-18 Thd. (Gr. 5)	66	710-1267	Curved Carr. Bolt 5/16-18 x 1.25" Lg.
28	736-0242	Bell-Wash. .345" I.D. x .88"	67	736-0451	Saddle Wash. .32" I.D.
29	720-0170	Hand Knob	68	710-0451	Carr. Bolt 5/16-18 x .75" Lg.
30	747-0744A	Chipper Door Rod	69	781-0515	Front Support Brkt.
31	732-0542	Torsion Spring 1.14" Lg.	—	764-0199A	Bag (Not Shown)
32	781-0489	Chipper Door	—	723-0400	Safety Glasses (Not Shown)
33	781-0475	Chipper Chute Ass'y.	—	770-8474H	Owner's Manual
34	736-0170	Spec. L-Wash. 5/16" I.D.			
35	712-3010	Hex Nut 5/16-18 Thd. (Gr. 5)			

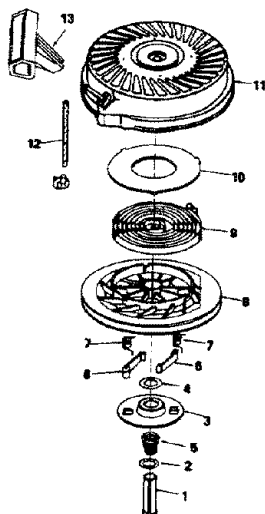
†Incl. Ref. 1, 6, 7, 8, 9, 10, 11, 12, 13, 14

\*Common Hardware—May Be Purchased Locally.

**NOTE:** Specifications subject to change without notice or obligation.

## TECUMSEH 5 H.P. ENGINE MODEL NO. HS50-67344G

### Repair Parts

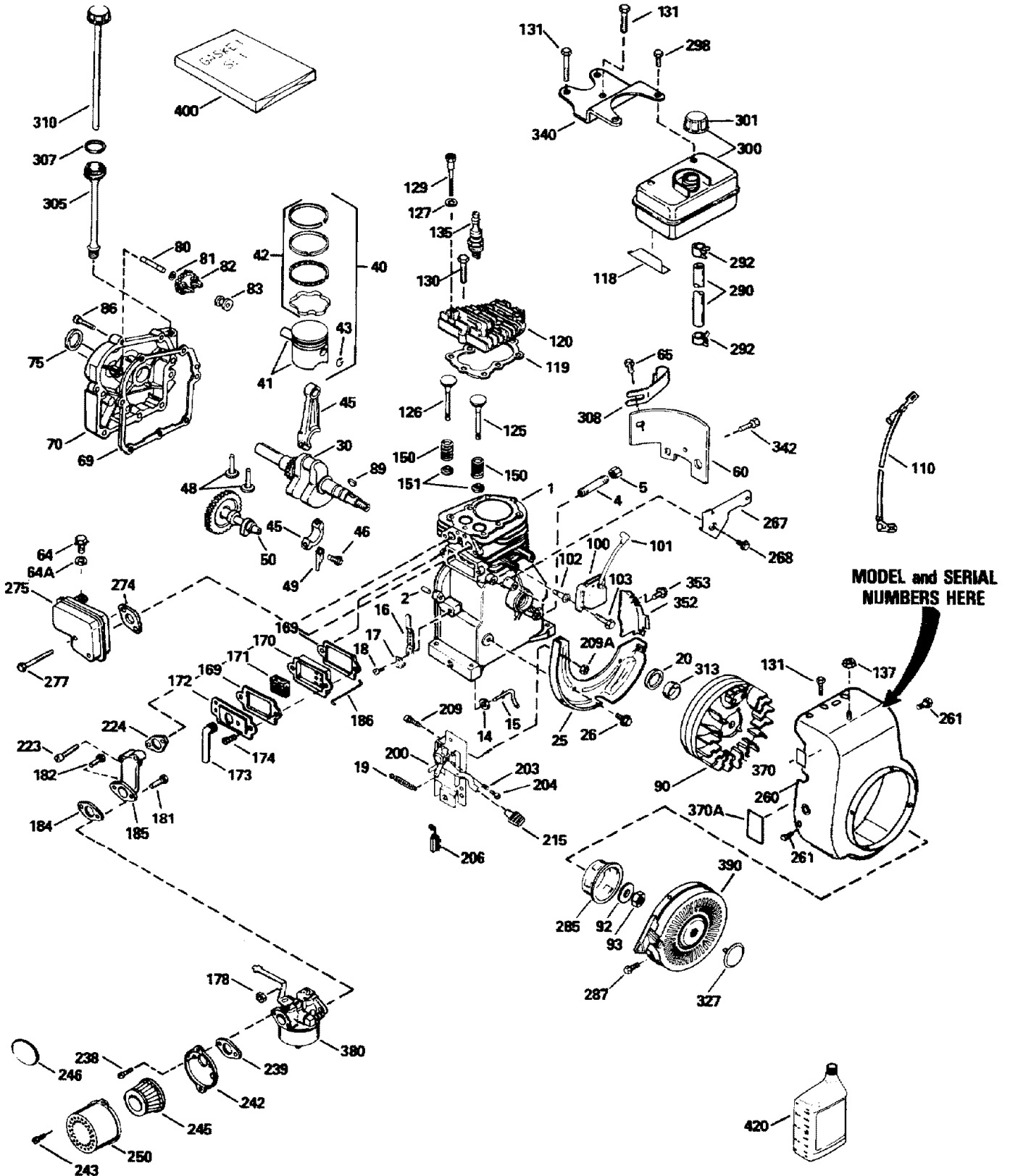


### PARTS LIST FOR REWIND STARTER

KEY NO.	PART NO.	DESCRIPTION
1	590599A	Pin, Spring (Incl. No. 4)
2	590600	Washer
3	590615	Retainer
4	590601	Washer
5	590598	Spring, Brake
6	590616	Dog, Starter
7	590617	Spring, Dog
8	590618	Pulley
9	590619	Spring, Rewind
10	590620	Cover, Spring
11	590687	Housing Ass'y., Starter (40° Grommet)
12	590535	Rope, Starter (Length 98" & 9/64" Dia.)
13	590452	Handle, Starter
—	590688	Starter, Rewind

# TECUMSEH 5 H.P. ENGINE MODEL NO. HS50-67344G

## Repair Parts



# TECUMSEH 5 H.P. ENGINE MODEL NO. HS50-67344G

## Repair Parts

KEY NO.	PART NO.	DESCRIPTION	KEY NO.	PART NO.	DESCRIPTION
1	33674B	Cylinder Ass'y. (Incl. Nos. 2 & 20)	102	650872	Stud, Solid State Mounting
2	26727	Pin, Dowel	103	650814	Screw, Torx T-15 Hex Washer Hd. Sems, 10-24 x 1
4	34171	Oil Drain Extension			
5	30969	Oil Drain Cap	110	35182	Ground Wire
14	28277	Washer, Flat	118	35515	Rope Guard
15	31334	Rod, Governor	119	*33554A	Gasket, Cylinder Head
16	31510	Lever, Governor	120	33016A	Head, Cylinder (Incl. No. 131)
17	31335	Clamp, Governor Lever	125	29313C	Valve, Exhaust (Std.) (Incl. No. 151)
18	650548	Screw, Hex Washer Hd. 8-32 x 5/16	125	29315C	Valve, Exhaust (1/32" Oversize) (Incl. No. 151)
19	31426	Spring, Extension			
20	32600	Seal, Oil	126	32644A	Valve, Intake (Std.) (Incl. No. 151)
25	†33342	Baffle, Blower Housing	126	32645A	Valve, Intake (1/32" Oversize) (Incl. No. 151)
26	650561	Screw, Hex Washer Hd. Durluk, 1/4-20 x 5/8	127	650691	Washer, Flat
30	36421	Crankshaft Ass'y.	129	650818	Screw, Special Hex Hd., 5/16-18 x 1-1/2
40	34535	Piston, Pin & Ring Ass'y. (Std.) (Incl. Nos. 41, 42 & 43)	130	6021A	Screw, Hex Flange Hd., 5/16-18 x 1-1/2
40	34536	Piston, Pin & Ring Ass'y. (.010 Oversize) (Incl. Nos. 41, 42 & 43)	131	650694A	Screw, Hex Flange Hd., 5/16-18 x 2
40	34537	Piston, Pin & Ring Ass'y. (.020 Oversize) (Incl. Nos. 41, 42 & 43)	135	33636	Resistor Spark Plug
41	33562B	Piston & Pin Ass'y. (Std.) (Incl. No. 43)	137	29752	Nut & Lock Washer, 1/4-28
41	33563B	Piston & Pin Ass'y. (.010 Oversize) (Incl. No. 43)	150	31672	Spring, Valve
41	33564B	Piston & Pin Ass'y. (.020 Oversize) (Incl. No. 43)	151	31673	Cap, Valve Spring
42	33567	Ring Set, Piston (Std.)	169	*27234A	Gasket, Breather
42	33568	Ring Set, Piston (.010 Oversize)	170	27666	Body, Valve Cover
42	33569	Ring Set, Piston (.020 Oversize)	171	31410	Element, Breather
43	20381	Ring, Piston Pin Retaining	172	34146	Cover, Breather
45	32875	Rod Ass'y., Connecting (Incl. Nos. 46 & 49)	173	35350	Tube, Breather
46	32610A	Bolt, Connecting Rod	174	650128	Screw, Hex Hd. Sems, 10-24 x 1/2
48	27241	Lifter, Valve	178	29752	Nut & Lock Washer, 1/4-28
49	32654	Dipper, Oil	181	6201	Screw, Hex Hd., 1/4-28 x 7/8
50	33158	Camshaft (Compression Release)	182	650870	Screw, Hex Hd., 1/4-28 x 1-11/16
60	29745	Extension, Blower Housing	184	*26756	Gasket, Carburetor
64	30063	Screw, Torx T-30 Hex Washer Hd. Sems, 1/4-20 x 1/2	185	33666	Pipe, Intake
64A	8345	Washer, Flat	186	32698	Link, Governor to Throttle
65	650128	Screw, Hex Hd. Sems, 10-24 x 1/2	200	†33858A	Control Ass'y., Bracket (Incl. Nos. 203 & 204, 206, 209 & 209A)
69	*27677A	Gasket, Cylinder Cover	203	31342	Spring, Compression
70	34674C	Cover, Cylinder (Incl. Nos. 75, 80, 311 & 312)	204	650549	Screw, Fil. Hd., 5-40 x 7/16
75	27897	Seal, Oil	206	610973	Terminal Ass'y.
80	30574A	Shaft, Mechanical Governor	209	†650139	Screw, Fil. Hd. Sems, 8-32 x 1/2
81	30590A	Washer, Flat	209A	†30322	Lock Nut, Hex "Keps," 8-32
82	30591	Gear, Governor (Incl. No. 81)	215	32410	Control Knob
83	30588A	Spool, Governor	223	30646	Screw, Fil. Hd. Sems, 1/4-20 x 1-3/8
86	650488	Screw, Hex Hd. Sems, 1/4-20 x 1-1/4	224	*33673A	Gasket, Intake to Cylinder
89	610961	Key, Flywheel	238	650152	Screw, Fil. Hd., 8-32 x 3/8
90	611080	Flywheel	239	*27272A	Gasket, Air Cleaner
92	650815	Washer, Belleville	242	31914	Bracket, Air Cleaner
93	650816	Nut, Flywheel	243	28820	Screw, Fil. Hd. Sems, 10-32 x 1/2
100	34443A	Solid State Ass'y.	245	30727	Filter, Air Cleaner (Paper)
101	610118	Cover, Spark Plug	246	35974	Pre-Air Filter
			250	31715	Cover, Air Cleaner
			260	35657	Housing, Blower
			261	29212	Screw, Hex Hd. Sems, 1/4-28 x 7/16
			267	34212	Bracket, Hold Down
			268	30200	Screw, Hex Washer Hd. Self-Tap Sems, 10-24 x 9/16
			274	*33670A	Gasket, Exhaust
			275	35771	Muffler

# TECUMSEH 5 H.P. ENGINE MODEL NO. HS50-67344G

## Repair Parts

KEY NO.	PART NO.	DESCRIPTION	KEY NO.	PART NO.	DESCRIPTION
277	650327	Screw, Hex Hd., 1/4-20 x 2-3/8	310	35556	Dipstick
285	34694	Cup, Starter	313	34080	Spacer, Flywheel Key
287	650926	Screw, Hex Washer Hd., 8-32 x 21/64"	327	35392	Plug, Starter
290	30962	Line, Fuel	340	35230	Plate, Fuel Tank Mounting
292	26460	Clamp, Fuel Line	342	650751	Screw, Hex Washer Hd. Durluk, 1/4-20 x 7/16
298	650665	Screw, Hex Washer Hd. Thread Cutting, 1/4-15 x 7/8	352	35883	Extension, Baffle
300	35591	Tank Ass'y., Fuel (Incl. Nos. 292 & 301)	353	650926	Screw, Hex Washer Hd., 8-32 x 21/64"
301	35355	Cap Ass'y., Fuel	370	36261	Decal, Instruction
305	35554	Oil Fill Tube	370A	35344	Decal, Throttle
307	35499	"O"-Ring	380	631923	Carburetor (Incl. No. 184)
308	35539	Fill Tube Clip	390	590688	Starter, Rewind
			400	33683B	Gasket Set (Incl. Items Marked*)
			420	730225	Oil, 4-Cycle SAE 30 (Quart)

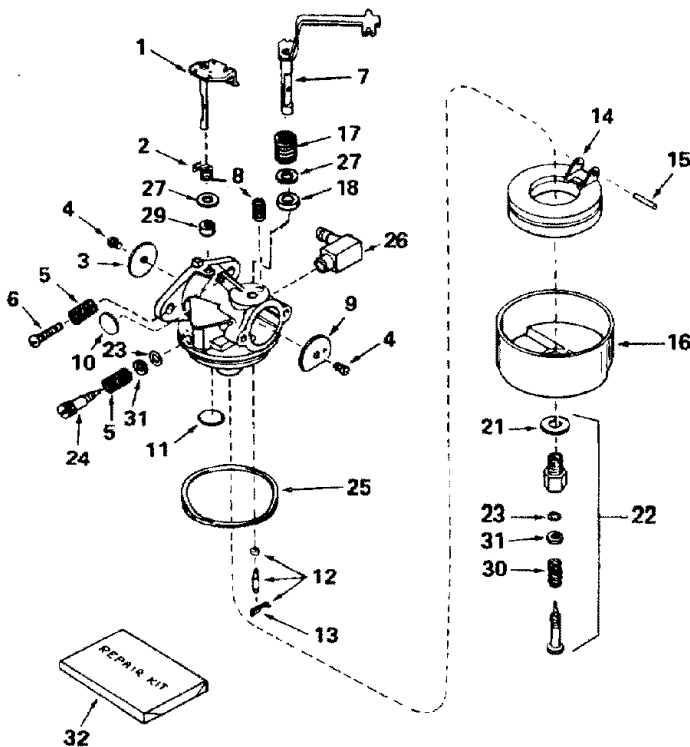
\* Indicates Parts Included in Gasket Set, Ref. No. 400.

† In original production the speed control assembly is riveted to the blower housing baffle. Replacement speed control assembly includes screws and nuts for mounting. Replacement baffle has threaded holes.

\*\* In original production, the starter is riveted to the blower housing. Replacement housing has threaded studs. Order four nuts (29752) when remounting starter.

**MUFFLER SPARK ARRESTER KIT**  
Part No. 35983 (Optional Equipment)

### PARTS LIST FOR CARBURETOR

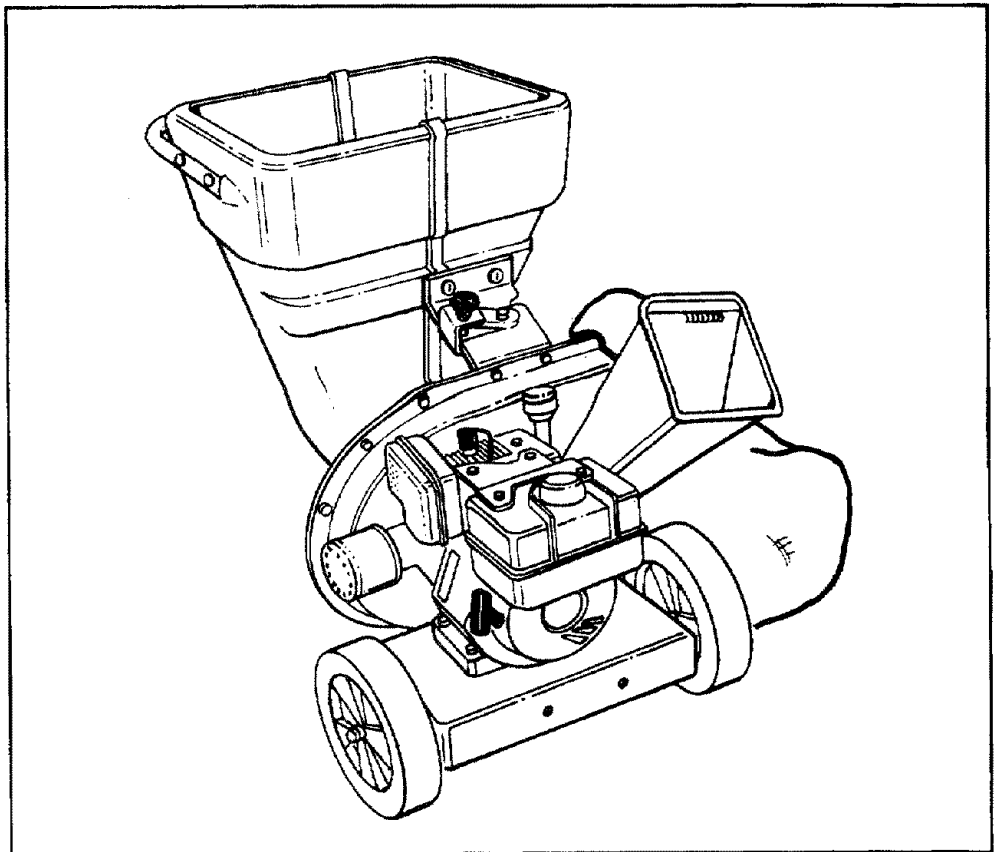


KEY NO.	PART NO.	DESCRIPTION
1	631615	Shaft & Lever Ass'y., Throttle
2	631767	Spring, Throttle Return
3	631036	Shutter, Throttle
4	650506	Screw, Throttle & Choke Shutter
5	630766	Spring, Idle Regulating Screw
6	650417	Screw, Idle Regulating
7	631919	Shaft & Lever Ass'y., Choke
8	630735	Spring, Choke Stop
9	31837	Shutter, Choke
10	*630748	Plug, Welch
11	*631027	Plug, Welch
12	*631021	Inlet Needle, Seat & Clip Ass'y. (Incl. No. 13)
13	631022	Clip, Inlet Needle
14	632019	Float, Carburetor
15	*631024	Shaft, Float
16	631867	Bowl, Float
17	632042	Spring
18	631183	Washer, Felt
21	27110	Gasket, Bowl-to-Body
22	*31839	Adjustment Screw Ass'y., Main (Incl. Nos. 21, 23, 30 & 31)
23	*630740	O-Ring, Adjustment Screw
24	*631078	Screw, Idle Adjustment
25	*631028	Gasket, Bowl-to-Body
26	631807	Fitting, Fuel Inlet
27	631184	Washer
29	631971	Seal, Dust
30	630738	Spring, Main Adjustment Screw
31	630739	Washer, Flat
32	31840	Repair Kit (Incl. Items Marked *)
—	631923	Carburetor Comp.

**SEARS**  
**MANUAL DEL**  
**PROPIETARIO**

**NUMERO DE**  
**MODELO**  
**247.795940**

**Precaución:**  
Lea y observe  
todas las reglas  
e instrucciones  
de seguridad antes  
de operar este  
equipo



**CRAFTSMAN®**

**5 CABALLOS DE FUERZA**  
**3 ETAPAS DE CORTE**  
**CUBRIDOR DE PAJA Y EMBOLSADOR**  
**PICADORA-DESMENUZADORA**

**Armado**  
**Operación**  
**Responsabilidades del Cliente**  
**Servicio y Ajuste**  
**Piezas de Reparación**

**SEARS, ROEBUCK AND CO., Hoffman Estates, IL 60195 U.S.A.**

# REGLAS DE SEGURIDAD



**ADVERTENCIA: PARA REDUCIR EL POTENCIAL DE CUALQUIER LESION CUMPLA CON LAS INSTRUCCIONES DE SEGURIDAD SIGUIENTES. LA FALTA EN CUMPLIR CON LAS INSTRUCCIONES PUEDE RESULTAR EN LESIONES PERSONALES.**

## ENTRENAMIENTO

- Lea este manual del propietario cuidadosamente por completo antes de tratar de armar u operar esta máquina. Está completamente familiarizado con los controles y el uso adecuado de esta máquina antes de operarla. Guarde este manual en un lugar seguro para referencia futura y regular y para ordenar piezas de reemplazo.
- Nunca se debe permitir que los niños operen este equipo.
- Nadie debería operar esta unidad mientras esté intoxicado o esté tomando medicamentos que menoscaban los sentidos o reacciones.
- Nunca debería operarse este equipo en la vecindad de niños, cachorros u otras personas.
- Nunca haga funcionar su máquina en un área cerrada ya que el escape del motor contiene monóxido de carbono, el cual es un gas inodoro, insípido y mortalmente venenoso.
- Nunca coloque sus manos o cualquier parte de su cuerpo o ropas dentro de la cámara de alimentación, canaleta de descarga, o cerca de cualquier pieza móvil mientras la máquina o motor esté funcionando.
- Si por cualquier razón es necesario inspeccionar o reparar la cámara de alimentación o cualquier parte de la máquina donde una parte móvil puede entrar en contacto con su cuerpo o ropas, apague la máquina, permita que se enfríe, desconecte el cable de la bujía de la bujía y aléjelo de la misma antes de intentar tal inspección o reparación.

## PREPARACION

- Use los lentes de seguridad provistos con su unidad mientras opere la picadora-desmenuzadora para evitar lesiones por cualquier material que pueda ser expelido por las aberturas.
- Use ropas apropiadas. Evite usar ropas sueltas. Use guantes cuando maneje el material.
- **MANEJE CON CUIDADO LA GASOLINA** ya que es un combustible extremadamente inflamable.
- Revise el combustible antes de encender el motor. No llene el tanque de combustible bajo techo, mientras el motor esté funcionando, o mientras el motor esté todavía caliente. Apague la unidad y permita que el motor se enfríe antes de cargar combustible.
- Cargue combustible a su picadora-desmenuzadora en un área limpia. No fume mientras carga combustible.
- La tapa del tanque de nafta debe estar asegurada en todo momento excepto durante la carga de combustible.
- Evite derramar gasolina o aceite. Limpie la unidad de cualquier combustible o aceite derramado.
- Almacene combustible y aceite en contenedores aprobados, lejos del calor o llamas, y fuera del alcance de los niños.
- Esta máquina debería operarse sólo al nivel de la superficie
- Asegúrese de que todos los tornillos, tuercas y pernos y otros sujetadores estén adecuadamente asegurados.

## OPERACION

- Cuando alimente material desmenuzable dentro de este equipo, sea extremadamente cuidadoso de que no incluya piezas de metal, rocas, botellas, latas u otros objetos extraños. Podría resultar en lesiones personales o daños a la máquina.

- Si el mecanismo de corte entra en contacto con cualquier objeto extraño o si su máquina comenzara a emitir un ruido inusual o vibración, apague inmediatamente el motor, desconecte el cable de la bujía y aléjelo de la misma. Permita que la máquina se detenga y efectúe las siguientes etapas:  
Inspeccione por daño.  
Reemplace o repare cualquier pieza dañada.  
Revise por piezas sueltas y ajuste para asegurar una operación continuada segura.
- Debe mantenerse a la máquina libre de desechos y otras acumulaciones.
- No permita que se acumule una acumulación de material procesado en el área de descarga ya que esto evitará la descarga adecuada y puede resultar en una reacción de la abertura de alimentación.
- Nunca coloque sus manos o cualquier parte de su cuerpo o ropas dentro de la cámara de alimentación, canaleta de descarga, o cerca de cualquier pieza móvil mientras la máquina o motor esté funcionando.
- Mantenga todas las guardas y deflectores en su lugar y en buenas condiciones de trabajo para asegurar una operación continuada segura.
- Cuando opere esta máquina manténgase siempre alejado del área de descarga.
- Mantenga su cara y cuerpo detrás de la abertura de alimentación para evitar el rebote accidental de cualquier material.
- No se incline. Mantenga el equilibrio y posición de los pies adecuadamente en todo momento.
- Los ajustes del regulador del motor en su máquina no deben alterarse, cambiarse, o manipularse. El regulador controla las velocidades máximas seguras y protege al motor y a todas las piezas móviles contra el daño causado por la sobrevelocidad.
- No transporte la máquina mientras el motor esté funcionando.
- No opere el motor si se ha quitado el filtro de aire o la cubierta directamente sobre la toma de aire del carburador, excepto para ajustar. La extracción de tales piezas podría causar un riesgo de incendio.

## MANTENIMIENTO Y ALMACENAMIENTO

- Cuando este equipo se detiene para servicio, inspección, almacenamiento o para cambiar un accesorio, asegúrese de que el cable de la bujía esté desconectado de la bujía y alejado de la misma. Se debería permitir que la máquina se enfríe antes de efectuar tal inspección, ajustes, servicio, etc. Mantenga su máquina con cuidado y manténgala limpia para la operación mejor y más continuada.
- No use soluciones inflamables para limpiar el filtro de aire.
- Cuando no está en uso, su máquina debería almacenarse fuera del alcance de los niños. Guárdela donde los vapores de la gasolina no puedan alcanzar una llama o chispa. Refiérase a la sección de "Almacenamiento" de este manual para períodos largos de almacenamiento.



**¡¡¡BUSQUE ESTE SIMBOLO PARA INDICAR PRECAUCIONES IMPORTANTES DE SEGURIDAD. SIGNIFICA-ATENCION!!! ¡¡¡ESTE ALERTA!!!SU SEGURIDAD ESTA INVOLUCRADA.**

**FELICITACIONES** por su compra de una Picadora-Desmenuzadora Craftsman de Sears. Ha sido diseñada, planeada y fabricada par proporcionarle la confiabilidad y rendimiento mejor posible. Si tuviera algún problema que no se pudiera remediar fácilmente, llame a su Centro/Departamento de Servicio Sears más cercano en los Estados Unidos. Tenemos técnicos competentes, bien entrenados y las herramientas adecuadas para servir o reparar esta unidad. Por favor lea y guarde este manual. Las instrucciones le permitirán amar y mantener su picadora-desmenuzadora adecuadamente. Siempre observe las "REGLAS DE SEGURIDAD"

NUMERO DE MODELO	247.795940
NUMERO DE SERIE	_____
FECHA DE COMPRA	_____
LOS NUMEROS DE MODELO Y SERIE SE HAL- LARAN EN UN ROTULO PEGADO AL MARCO DE LA PICADORA-DESMENUZADORA	
USTED DEBERIA REGISTRAR AMBOS, EL NUMERO DE SERIE Y LA FECHA DE COMPRA Y GUARDAR EN UN LUGAR SEGURO PARA REFERENCIA FUTURA.	

### RESPONSABILIDADES DEL CLIENTE

- Lea y observe las reglas de seguridad.
- Siga un programa regular en mantener, cuidar y usar su picadora-desmenuzadora.
- Siga las instrucciones en las secciones de "Responsabilidades del Cliente" y "Almacenamiento" de este Manual del Propietario.

### ESPECIFICACIONES DEL PRODUCTO

Caballos de fuerza:	5.0
Desplazamiento:	12.00 pul.cub
Capacidad de combustible:	1-7/8 Cuartos (Sin plomo)
Bujías (Distancia: .030 pul.):	Champion J-8C (o equivalente)
Distancia de aire del encendido	.0125 pul.

### ACUERDO DE MANTENIMIENTO

Un Acuerdo de Mantenimiento de Sears está disponible para este producto. Llame a su tienda más cercana de Sears para detalles.

**ADVERTENCIA:** Esta unidad está equipada con un motor de combustión interna y no debería usarse en o cerca de cualquier terreno cubierto por bosques no mejorados, cubierto por matorrales o grama a menos que el sistema de escape del motor esté equipado con un retenedor de chispas que cumpla con las leyes aplicables locales o del Estado (de haberlas). Si se usa un retenedor de chispas, debería mantenerse en una condición efectiva de trabajo por el operador.

El Estado de California lo anterior se requiere por ley (Sección 4442 del Código de Recursos Públicos de California). Otros Estados pueden tener leyes similares. Las leyes federales se aplican en los terrenos federales. Un retenedor de chispas para el silenciador está disponible a través de su Centro de Servicio Autorizado de Sears (Vea la sección de PIEZAS DE REPARACION de este manual.)

## GARANTIA

### UN AÑO DE GARANTIA LIMITADA PARA LA PICADORA-DESMENUZADORA A GASOLINA CRAFTSMAN

A partir de un año de la fecha de compra, cuando esta Picadora-Desmenuzadora Craftsman sea mantenida, lubricada y puesta a punto de acuerdo con las instrucciones en el manual del propietario, Sears reparará, gratis, cualquier defecto en materiales y confección.

Si esta Picadora-Desmenuzadora Craftsman se usa para fines comerciales o de alquiler, esta garantía se aplica por sólo 30 días desde la fecha de compra.

Esta garantía no cubre:

- Artículos descartables que se desgastan durante el uso normal, tales como cuchillas, cuchillas picadoras, desgranadoras, filtros de aire, bujías y bolsas colectoras.
- Reparaciones necesarias a causa de abuso o negligencia del operador, incluyendo cigüeñales doblados y la falla de mantener el equipo de acuerdo con las instrucciones contenidas en el manual del propietario.

EL SERVICIO DE GARANTIA ESTA DISPONIBLE RETORNANDO LA PICADORA-DESMENUZADORA CRAFTSMAN AL CENTRO/DEPARTAMENTO DE SERVICIO MAS CERCANO DE SEARS EN LOS ESTADOS UNIDOS. ESTA GARANTIA SE APLICA SOLAMENTE MIENTRAS EL PRODUCTO ESTA EN USO EN LOS ESTADOS UNIDOS.

Esta garantía le proporciona derechos legales específicos, y usted puede tener también otros derechos que pueden variar de Estado a Estado.

SEARS, ROEBUCK AND CO., D/817WA, Hoffman Estates, IL 60195

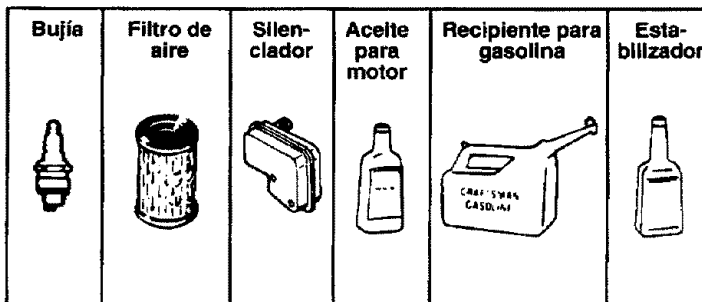
# TABLA DE MATERIAS

REGLAS DE SEGURIDAD.....	2	OPERACION.....	6-10
ESPECIFICACIONES DEL PRODUCTO.....	3	RESPONSABILIDADES DEL CLIENTE.....	10-12
ACUERDO DE MANTENIMIENTO.....	3	ALMACENAMIENTO.....	12, 13
RESPONSABILIDADES DEL CLIENTE.....	3	SERVICIO Y AJUSTE.....	13-15
GARANTIA.....	3	LOCALIZACION DE FALLAS.....	16
ACCESORIOS.....	4	COMO ORDENAR PIEZAS DE REPUESTO.....	16
INSTRUCCIONES DE ARMADO.....	5		

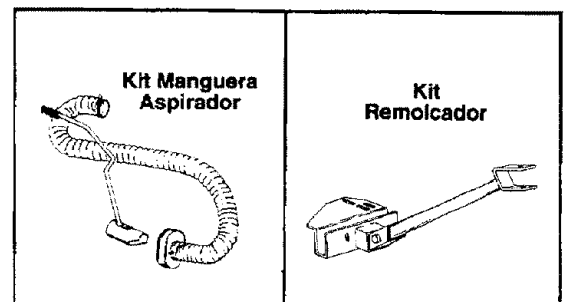
## ACCESORIOS PARA LA PICADORA-DESMUNEZADORA

Estos accesorios estaban disponibles cuando se compró la picadora. También están a su disposición en la mayoría de las tiendas al detalle y los centros de catálogo y de servicio de Sears. La mayoría de las tiendas Sears pueden hacer sus pedidos por piezas de repuesto, cuando usted les indique el número del modelo de su picadora-desmenuzadora.

### MOTOR



### PICADORA-DESMENUZADORA





# INSTRUCCIONES DE ARMADO

**IMPORTANTE:** Esta unidad se envía SIN GASOLINA O ACEITE. Después del armado, vea la sección de operación de este manual para las recomendaciones del combustible y aceite del motor adecuados.

**NOTA:** Para determinar los lados de mano derecha e izquierda de su picadora-desmenuzadora, párese detrás y enfrente la tolva (el motor está al frente de la unidad).

Su picadora-desmenuzadora ha sido completamente armada en la fábrica, excepto por deflector de la canaleta y la bolsa colectora. Se incluyen también en la caja los lentes de seguridad.

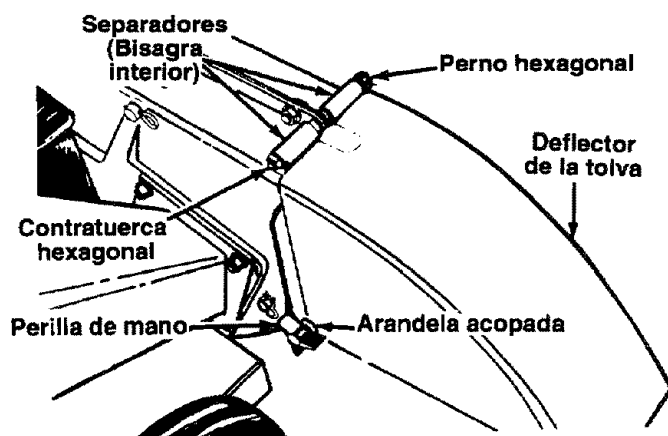


FIGURA 1.

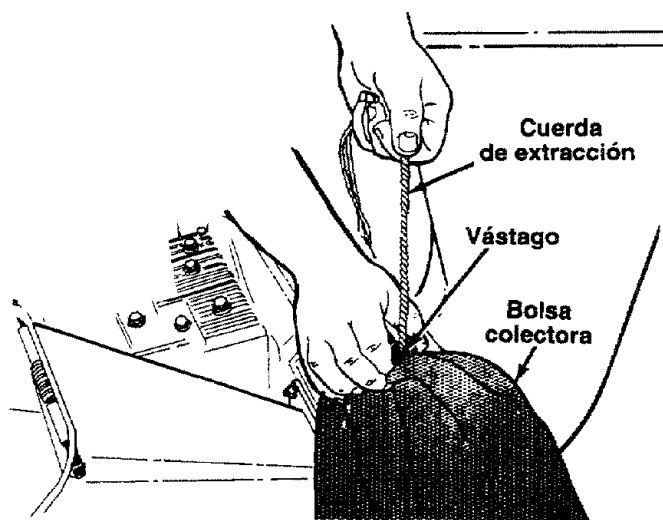


FIGURA 2.

## PARA EXTRAER LA PICADORA-DESMENUZADORA DE LA CAJA

Corte las esquinas de la caja. Extraiga todos las inserciones de empaque. Ruede la picadora-desmenuzadora fuera de la caja. Asegúrese de que todas las piezas y literatura se hayan sacado antes de disponer de la caja.

## HERRAMIENTAS REQUERIDAS PARA EL ARMADO

(2) Llaves de 7/16" o ajustables

## COMO PREPARAR SU PICADORA-DESMENUZADORA



**ASEGURESE DE QUE EL CABLE DE LA BUJIA ESTE DESCONECTADO Y ALEJADO DE LA MISMA ANTES DE ARMAR LA PICADORA-DESMENUZADORA**

### ← SUJETANDO EL DEFLECTOR DE LA CANALETA

- Quite las perillas de mano y arandela acopadas de cada lado de la abertura de descarga en el lado izquierdo de la picadora-desmenuzadora.
- Quite la contratuerca hexagonal, dos separadores y perno hexagonal de adentro de la bisagra en la parte superior de la abertura de descarga. No extraiga un separador del perno hexagonal.
- Coloque el deflector de la canaleta en posición en la abertura de descarga. Inserte el perno hexagonal y separador en la bisagra en el deflector y cubierta de la canaleta (el separador calza dentro de la bisagra). Vea la figura 1.
- Coloque el segundo separador sobre el perno hexagonal, dentro de otra parte de la bisagra. Asegure con la contratuerca hexagonal. Ajuste firmemente.
- Asegure ambos lados del deflector de la canaleta a la cubierta usando las perillas de mano y arandelas acopadas (el lado acopado de las arandelas está ubicado contra el deflector de la canaleta).

### SUJETANDO LA BOLSA COLECTORA

Su picadora-desmenuzadora está equipada con una bolsa colectora para coleccionar el material desmenuzado.

- Para sujetar la bolsa, coloque la abertura de la misma sobre el deflector de la canaleta de tal manera de cubrir completamente la abertura de la misma. Oprima el vástago sobre la cuerda de extracción, y tire de la misma hasta que la bolsa esté ajustada alrededor de la abertura de la canaleta. Libere el vástago para fijarlo en posición. Vea la figura 2.

# OPERACION

## CONOZCA SU PICADORA-DESMENUZADORA

LEA ESTE MANUAL DEL PROPIETARIO Y LAS REGLAS DE SEGURIDAD ANTES DE OPERAR SU PICADORA-DESMENUZADORA. Compare las ilustraciones con su picadora-desmenuzadora para familiarizarse con la ubicación de varios controles y ajustes. Guarde este manual para referencia futura.

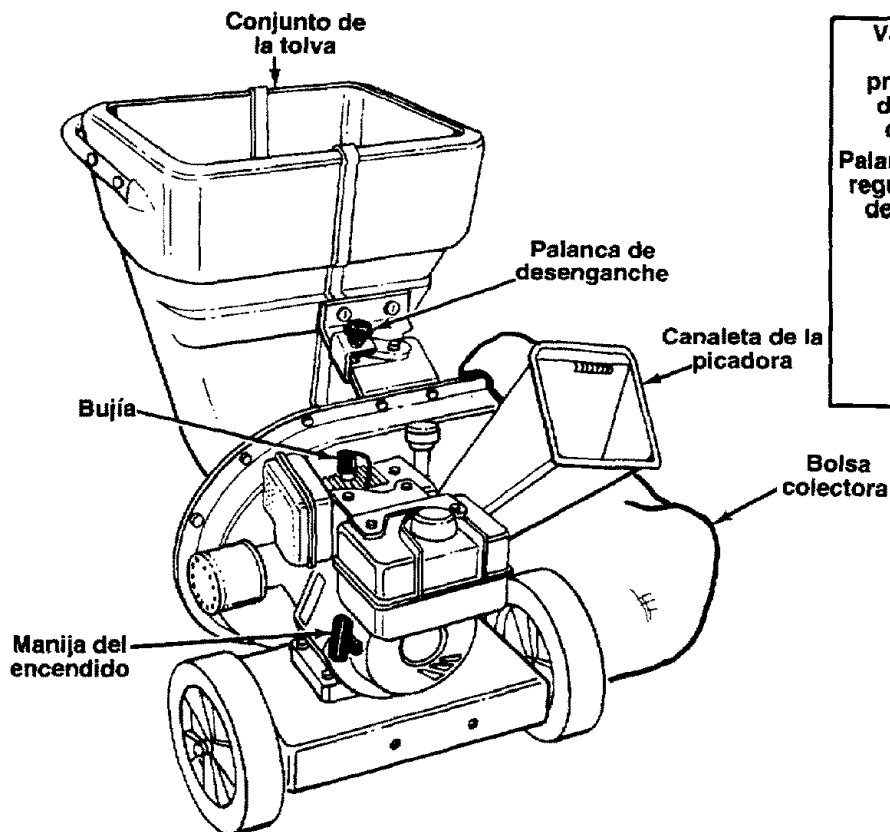


FIGURA 3.

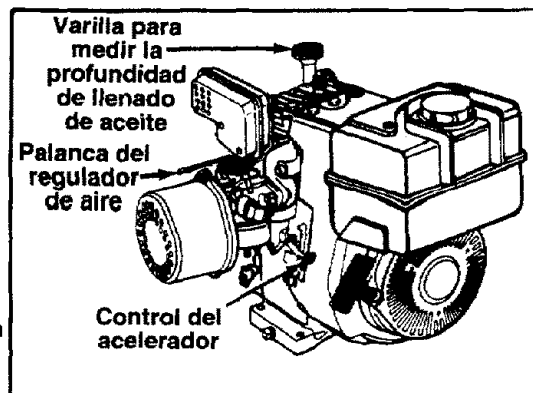


FIGURA 4.

## CUMPLE CON LAS NORMAS DE SEGURIDAD ANSI

Las picadoras-desmenuzadoras de Sears están en conformidad con la norma de seguridad B71.6-1982 del Instituto Americano de Normas Nacionales.

### CONTROLES DE OPERACION

(Vea la figura 3 y 4)

**PALANCA DEL REGULADOR DE AIRE** - Usada para enriquecer la mezcla de combustible en el carburador cuando se arranque un motor en frío.

**MANIJA DEL ENCENDIDO** - Usada para encender manualmente el motor.

**CONTROL DEL ACELERADOR** - Controla la velocidad del motor y detiene el motor.

**PALANCA DE DESENGANCHE** - Usada para desenganchar la tolva cuando se baje al suelo.

ANTES DE USAR SU PICADORA-DESMENUZADORA, REFIERASE NUEVAMENTE A LAS "REGLAS DE SEGURIDAD" INDICADAS EN LA PAGINA 2 DE ESTE MANUAL. SIEMPRE SEA CUIDADOSO.



La operación de cualquier picadora-desmenuzadora puede resultar en que haya objetos extraños proyectados contra los ojos, lo que puede resultar en daños graves a los ojos. Siempre use los lentes de seguridad que están provistos con la picadora-desmenuzadora o protectores de los ojos antes de picar o desmenuzar, o mientras efectuando cualquier ajuste o reparación. Recomendamos la máscara de seguridad Wide Vision para usar sobre los anteojos o lentes normales, disponible en las tiendas al por menor o de catálogo de Sears.

## PARA APAGAR EL MOTOR

- Mueva la palanca de control del acelerador a la posición OFF (APAGADO). Vea la figura 4.
- Desconecte el cable de la bujía y aléjelo de la misma para evitar un arranque accidental mientras el equipo no esté atendido.

## COMO USAR SU PICADORA-DESMENUZADORA

No trate de picar o desmenuzar cualquier material diferente de vegetación que se encuentra en cualquier patio normal (por ej., ramas, hojas, ramitas, etc.).



**ADVERTENCIA: LA PICADORA-DESMENUZADORA DESCARGA MATERIALES A UNA VELOCIDAD CONSIDERABLE. MANTENGASE ALEJADO DEL AREA ALREDEDOR DEL DEFLECTOR DE LA CANALETA. SIEMPRE APAGUE EL MOTOR Y DESCONECTE EL CABLE DE LA BUJIA CUANDO ESTE EN PROCESO DE SACAR O SUJETAR LA BOLSA CUANDO CAMBIE LOS CONTENEDORES O CUANDO EXTRAIGA EL MATERIAL DESMENUZADO. USE LENTES DE SEGURIDAD Y GUANTES SIEMPRE QUE USE SU PICADORA-DESMENUZADORA.**

La picadora-desmenuzadora está diseñada para tres métodos diferentes de operación.

- Hojas y ramas pequeñas de hasta 1/2" de diámetro (recomendado) o 1" de diámetro (máximo) pueden alimentarse en el conjunto de la tolva cuando está en la posición elevada. Vea la figura 5. Si fuera necesario empujar el material dentro de la picadora-desmenuzadora use un palo de diámetro pequeño - NO SUS MANOS. El palo debería ser suficientemente pequeño para ser molido si quedara atrapado en el conjunto propulsor.



**ADVERTENCIA: NO PONGA MATERIAL MAS GRANDE QUE 1/2" DE DIAMETRO (RECOMENDADO) O 1" DE DIAMETRO (MAXIMO) DENTRO DEL CONJUNTO DE LA TOLVA. PUEDE ALIMENTARSE A LA CANALETA DE PICADO CON MATERIALES DE HASTA UN MAXIMO DE 3" DE DIAMETRO. NO TRATE DE PICAR O DESMENUZAR CUALQUIER MATERIAL MAS GRANDE QUE 3" DE DIAMETRO. PODRIA RESULTAR EN LESIONES PERSONALES O DAÑOS A LA MAQUINA.**

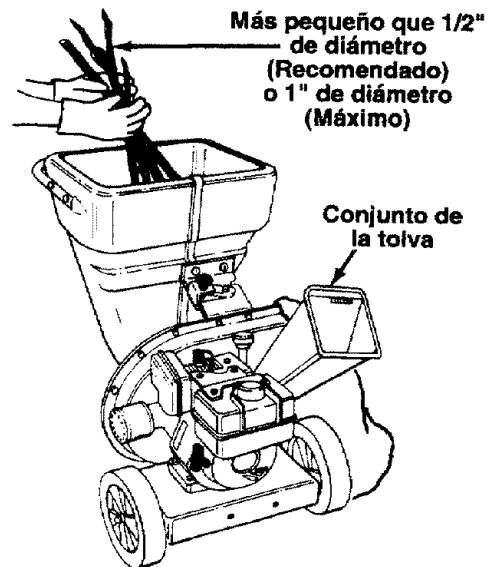


FIGURA 5.

- Pueden rastrillarse hojas y ramitas pequeñas cuando el conjunto de la tolva se baja al nivel del suelo. Vea la figura 6. Ramas pequeñas de hasta 1/2" de diámetro (recomendado) o de 1" de diámetro (máximo) pueden también alimentarse al conjunto de la tolva en esta posición. Vea la figura 7.

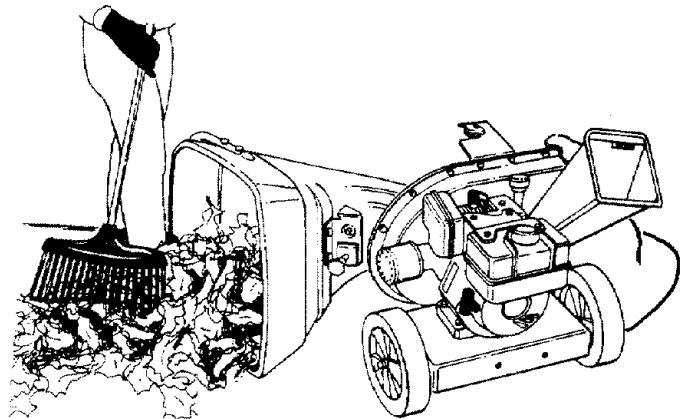


FIGURA 6.

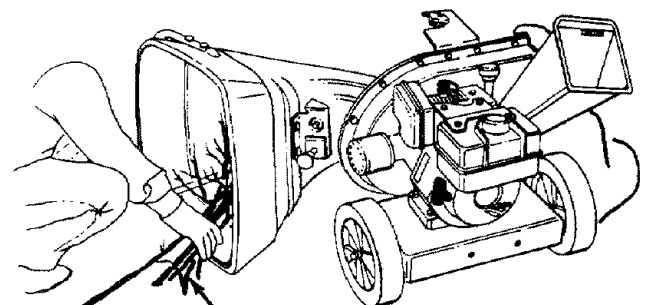


FIGURA 7.

- Para bajar la tolva al suelo, agarre con una mano la parte superior del conjunto de la tolva. Presione hacia abajo la palanca de desenganche, y tire de la tolva hacia la derecha. Vea la figura 8.

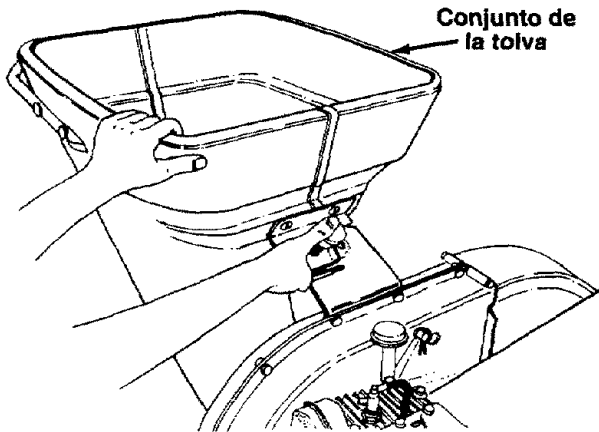


FIGURA 8.

- Material voluminosos, tal como tallos o ramas pesadas de hasta 3" de diámetro debería ser alimentado a la canaleta de la picadora. Vea la figura 9.



**ADVERTENCIA: ASEGURESE DE QUE LA PUERTA DE LA CANALETA DE LA PICADORA ESTE CERRADA CUANDO NO SE USA.**

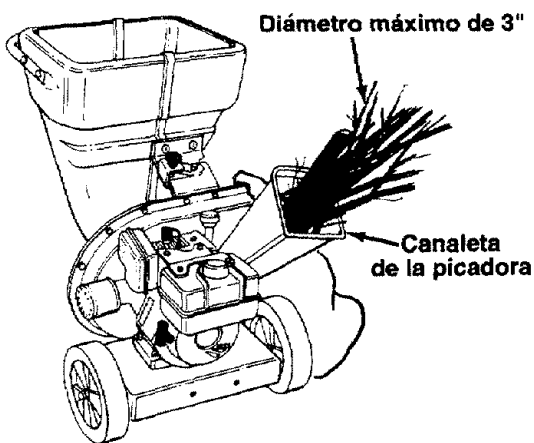


FIGURA 9.

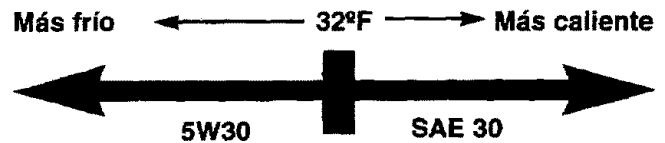
**IMPORTANTE:** Existe una criba de desgranado ubicada dentro de la cubierta en el área de descarga. Si la criba de desgranado se tapona, sáquela y límpiela como se instruye en la Sección de Servicio y Ajustes. Para el mejor rendimiento es importante mantener afiladas la cuchilla de desmenuzar y las cuchillas de

picar. Si cambia la composición del material que está siendo descargado (se convierte en tipo encordado, etc.) o disminuye considerablemente la velocidad a la cual se descarga el material, es posible que la cuchilla de desmenuzar y/o las cuchillas de picar estén desafiladas y tengan que ser afiladas o reemplazadas. Refiérase a la sección de Servicio y Ajuste.

## LLENADO DE GAS Y ACEITE

### ACEITE

Sólo use aceite detergente de alta calidad clasificado con la clasificación de servicio SG de API. Seleccione el grado de viscosidad del aceite de acuerdo con su temperatura esperada de operación.



**NOTA:** A pesar de que los aceites de viscosidad múltiple (5W30, 10W30, etc) mejoran el arranque en tiempo frío, los mismos resultarán en un consumo mayor de aceite cuando se usen a una temperatura mayor de 32°F. Revise su nivel de aceite más frecuentemente para evitar daño posible al motor a causa de funcionar con un nivel bajo de aceite.

- Llène el motor con aceite como sigue. Extraiga la varilla para medir la profundidad de llenado de aceite. Vea la figura 10. Con el nivel de la picadora-desmenuzadora use un embudo para llenar de aceite el motor hasta la marca FULL (LLENO) en la varilla. La capacidad es de 1-1/4 pintas aproximadamente. Sea cuidadoso de no sobrellenar. Inclíne la picadora-desmenuzadora hacia la izquierda (desde atrás de la tolva), y coloque nuevamente a nivel. Revise el nivel de aceite. Llène nuevamente a la marca FULL (LLENO) de la varilla si fuera necesario. Vuelva a colocar la varilla y ajuste.

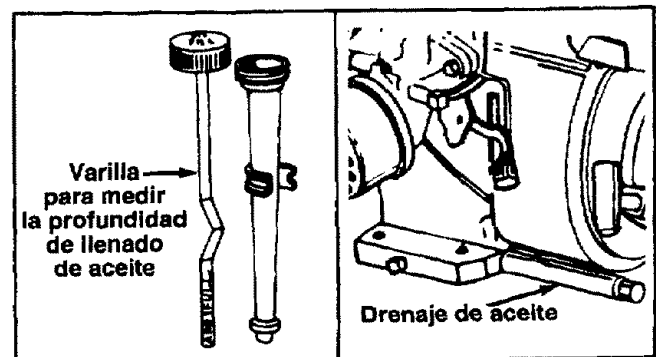


FIGURA 10.

## GAS

- Quite la tapa de combustible y llene el tanque con aproximadamente 1-7/8 cuartos de gasolina de automóvil, limpia, fresca, sin plomo, de alto grado. NO USE Etilo o gasolina de alto octano. Asegúrese de que el contenedor esté limpio y libre de óxido o partículas extrañas. Nunca use gasolina que esté rancia por haberse almacenado por un período largo en el contenedor. Vuelva a colocar la tapa de combustible.



**ADVERTENCIA: NO LLENE POR ENCIMA DE 1/2 PULGADA DE DISTANCIA DE LA PARTE SUPERIOR DEL TANQUE DE COMBUSTIBLE PARA EVITAR DERRAMES Y PARA PERMITIR LA EXPANSION DEL COMBUSTIBLE. SI SE DERRAMA GASOLINA ACCIDENTALMENTE, RETIRE LA PICADORA-DESMENUZADORA DEL LUGAR DEL DERRAME. EVITE CREAR CUALQUIER FUENTE DE ENCENDIDO HASTA QUE HAYAN DESAPARECIDO LOS VAPORES DE LA GASOLINA.**

Revise periódicamente el nivel para evitar quedarse sin gasolina cuando esté operando la picadora-desmenuzadora. Si la unidad se queda sin gas mientras está desmenuzando o picando, puede ser necesario desatancar la unidad antes de que pueda encenderse nuevamente. Refiérase a "Extracción del Tamiz de Desgranar" EN LA SECCION DE SERVICIO Y AJUSTE.

**ADVERTENCIA: LA EXPERIENCIA INDICA QUE LOS COMBUSTIBLES MEZCLADOS CON ALCOHOL (LLAMADO GASOHOL O USANDO ETANOL O METANOL) PUEDE ATRAER HUMEDAD LO QUE CONDUCE A LA SEPARACION Y FORMACION DE ACIDOS DURANTE EL ALMACENAMIENTO. EL GAS ACIDOGENO PUEDE DAÑAR EL SISTEMA DE COMBUSTIBLE DE UN MOTOR MIENTRAS ESTA EN ALMACENAMIENTO. PARA EVITAR PROBLEMAS DEL MOTOR, EL SISTEMA DE COMBUSTIBLE DEBE VACIARSE O TRATARSE CON UN ESTABILIZADOR DE COMBUSTIBLE POR 30 DIAS O MAS ANTES DE ALMACENAR. LA PROXIMA TEMPORADA USE COMBUSTIBLE FRESCO. VEA LA SECCION DE "ALMACENAMIENTO" PARA INFORMACION ADICIONAL.**

**NUNCA USE PRODUCTOS DE LIMPIEZA DE MOTOR O CARBURADOR EN EL TANQUE DE COMBUSTIBLE O PUEDE OCURRIR DAÑO PERMANENTE.**

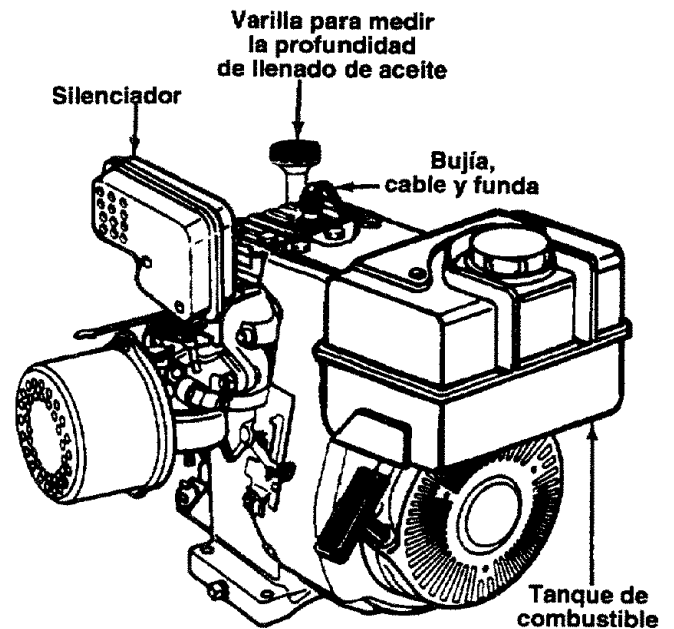


FIGURA 11.

## PARA ENCENDER EL MOTOR



**ADVERTENCIA: ASEGURESE DE QUE NADIE MAS QUE EL OPERADOR ESTE PARADO CERCA DE LA PICADORA-DESMENUZADORA MIENTRAS SE ESTE ENCENDIENDO U OPERANDO. NO OPERE ESTA PICADORA-DESMENUZADORA A MENOS QUE EL DEFLECTOR DE LA CANALETA HAYA SIDO INSTALADO ADECUADAMENTE Y ESTE ASEGURADO CON LAS PERILLAS DE MANO.**

- Si fuera necesario una el cable de la bujía y la funda de goma a la bujía. Vea la figura 11.
- Coloque la palanca de control del acelerador en la posición FAST (LIGERO). Vea la figura 12.

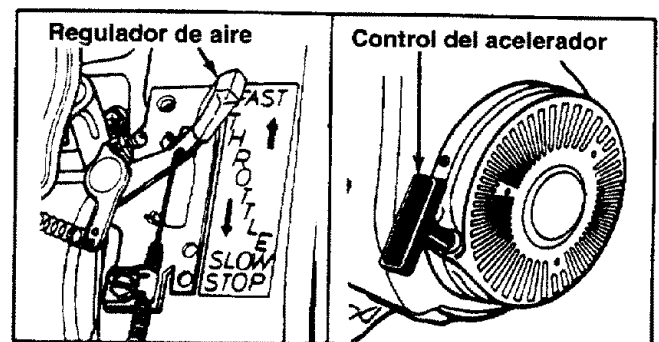


FIGURA 12.

- Mueva la palanca del regulador de aire a la posición CHOKE (REGULADOR).
- Tome la manija del encendido (vea la figura 14) y tire de la cuerda lentamente hasta que el motor llegue al comienzo del ciclo de compresión (en este punto deberá tirarse de la cuerda un poco más fuerte). Deje que la cuerda se enrolle lentamente.

**NOTA:** Se escuchará un ruido cuando se encuentre el comienzo del ciclo de compresión. Este ruido es causado por las desgranadoras y dedos, que son parte del mecanismo de desmenuzamiento, que están colocándose en posición, y debería anticiparse. Además, las desgranadoras y dedos harán ruido después que se encienda el motor, hasta que el impulsor alcance la velocidad máxima.

- Tire de la cuerda con un movimiento del brazo rápido, continuo y pleno. Sujete firmemente la manija de encendido. Permita que la cuerda se enrolle lentamente. No permita que la manija de encendido salte hacia atrás contra el encendido.
- Repita las dos instrucciones anteriores hasta que el motor dispare. Cuando el motor se enciende, mueva la palanca del regulador de aire a mitad de recorrido entre CHOKE (REGULADOR) y RUN (FUNCIONAR).

**NOTA:** Si el motor no dispara después de tres intentos, mueva la palanca del regulador de aire a mitad de recorrido entre la posición de CHOKE y RUN y trate nuevamente. Vea la figura 14.

- Mueva el control del acelerador a la posición IDLE (VACIO) para calentar por unos pocos minutos. Mueva la palanca del regulador a la posición RUN (FUNCIONAR) a medida que el motor se calienta.

**NOTA:** Para funcionar con suavidad en la posición de vacío, un motor nuevo puede requerir de 3 a 5 minutos de funcionamiento por encima de la velocidad lenta de vacío. La velocidad de vacío ha sido ajustada para que sea correcta después de este período inicial.

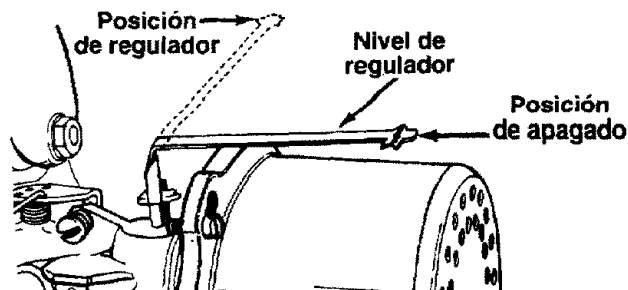


FIGURA 13.

### PARA APAGAR EL MOTOR

- Mueva la palanca de control del acelerador a la posición OFF (APAGADO). Vea la figura 13.
- Desconecte el cable de la bujía y aléjelo de la misma para evitar un arranque accidental mientras el equipo no esté atendido.

## RESPONSABILIDADES DEL CLIENTE

PROGRAMA DE MANTENIMIENTO ANOTE LAS FECHAS A MEDIDA QUE COMPLETA EL SERVICIO REGULAR		FECHAS DE SERVICIO					FECHAS DE SERVICIO						
		ANTES DE CADA USO	DESPUES DE CADA USO	PRIMERAS CINCO HORAS	CADA 25 HORAS	CADA 50 HORAS	ANTES DE ALMACENAMIENTO						
PRODUCTO	Aceitar los puntos de pivote					✓							
	Limpiar la desmenuzadora		✓				✓						
Motor	Verificar el aceite del motor	✓											
	Cambiar el aceite del motor			✓	✓								
	Servicio al filtro de aire				✓								
	Limpiar el cilindro del motor				✓		✓						
	Bujía				✓		✓						
	Silenciador					✓							

✓ REVISAR

## RECOMENDACIONES GENERALES



**ADVERTENCIA: SIEMPRE APAGUE EL MOTOR Y DESCONECTE EL CABLE DE LA BUJIA ANTES DE EFECTUAR CUALQUIER MANTENIMIENTO O AJUSTES.**

- Revise periódicamente todos los remaches y asegúrese de que estén bien ajustados.
- Siga el programa de Mantenimiento de arriba.

## PICADORA-DESMENUZADORA LUBRICACION

Lubrique los puntos de pivote de la barra de desenganche, conjunto de la tolva, deflector de la canaleta y canaleta de la picadora una vez por temporada usando aceite liviano.

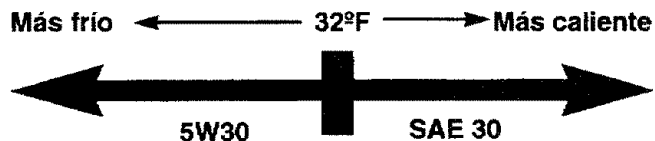
### LIMPIEZA

- La picadora-desmenuzadora puede limpiarse haciendo correr agua de una manguera a través del conjunto de la tolva y canaleta de la picadora con el motor funcionando. Permita que la picadora-desmenuzadora se seque completamente.
- Lave periódicamente la bolsa con agua. Permita que se seque completamente a la sombra. No use calor.

## MOTOR

### ACEITE DEL MOTOR

Sólo use aceite detergente de alta calidad clasificado con la clasificación de servicio SG de API. Seleccione el grado de viscosidad del aceite de acuerdo con su temperatura esperada de operación.



**NOTA:** A pesar de que los aceites de viscosidad múltiple (5W30, 10W30, etc) mejoran el arranque en tiempo frío, los mismos resultarán en un consumo mayor de aceite cuando se usen a una temperatura mayor de 32°F. Revise su nivel de aceite más frecuentemente para evitar daño posible al motor a causa de funcionar con un nivel bajo de aceite.

Su motor de cuatro ciclos consumirá normalmente algo de aceite-por consiguiente, verifique el nivel de aceite regularmente cada cinco horas de operación y antes de cada uso. Apague el motor y espere varios minutos antes de revisar el nivel de aceite. Con el nivel de la picadora-desmenuzadora el aceite debe llegar hasta la marca FULL (LLENO) en la varilla para medir la profundidad de llenado de aceite (Refiérase a la figura 10). Cambie el aceite del motor después de las primeras cinco horas de operación, y cada veinticinco horas subsecuentemente.

### Para drenar el aceite:

- Drene mientras el motor está caliente.
  - a. Quite el tapón de drenaje de aceite. Refiérase a la figura 10. Recoja el aceite en un contenedor apropiado.
  - b. Cuando se haya drenado el aceite del motor, reemplace seguramente el tapón de drenaje.
- Vuelva a llenar con aceite fresco. Refiérase a la sección de LLENADO DE GAS Y ACEITE.
- Vuelva a colocar la varilla.

### FILTRO DE AIRE

El filtro de aire evita que suciedad, polvo, etc. dañinos penetren en el carburador y sean forzados dentro del motor y es importante para la duración y rendimiento del motor.

**Nunca haga funcionar sin el filtro de aire completamente armado.**

### Para servir el filtro de aire:

Sirva el prefiltro después de cada 25 horas de uso, o por lo menos una vez por temporada. Sirva el cartucho cada 100 horas de uso, o por lo menos una vez por temporada. Sirva el prefiltro y el cartucho más a menudo bajo condiciones de polvo.

- Aflojar (no soltar) los dos tornillos de la cubierta.
- Gire la cubierta en sentido contrario a las agujas de reloj y separe esta de la base.
- Extraiga con precaución el prefiltro y el cartucho.
- Limpie el interior de la base y la cubierta a fondo.
- Limpie el cartucho, sacudiéndolo suavemente sobre una superficie plana. Si esta muy sucio sustituya el cartucho y el prefiltro o limpie los de la manera siguiente:

Lavelo en un detergente no espumoso y en agua templada. Precaución: No use solventes de petróleo como el keroseno para limpiar el cartucho. Aclarelo a fondo hasta que el agua este limpia.

Deje secar el cartucho a fondo antes de usar. **NO ACEITE EL CARTUCHO O EL PREFILTRO. NO USE AIRE A PRESION PARA LIMPIAR O SECAR EL CARTUCHO.**

- Instale la cubierta al motor. Apriete seguramente los tornillos.

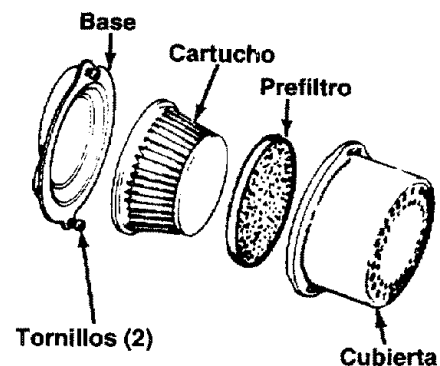


FIGURA 14.

## LIMPIEZA DEL MOTOR

Limpie periódicamente el motor. Quite la suciedad y restos con un trapo o cepillo. No se recomienda limpiar con un rociado enérgico de agua ya que el agua podría contaminar el sistema de combustible.

Anualmente o cada 25 horas, cualquiera que ocurra primero, quite la caja del ventilador y limpie las áreas que se muestran en la figura 15, para evitar sobrevelocidad, sobrecalentamiento y daño del motor. Si fuera necesario limpie más a menudo.



**ADVERTENCIA: LIMPIE PERIODICAMENTE EL AREA DEL SILENCIADOR PARA QUITAR TODA LA GRAMA, SUCIEDAD Y RESTOS COMBUSTIBLES.**

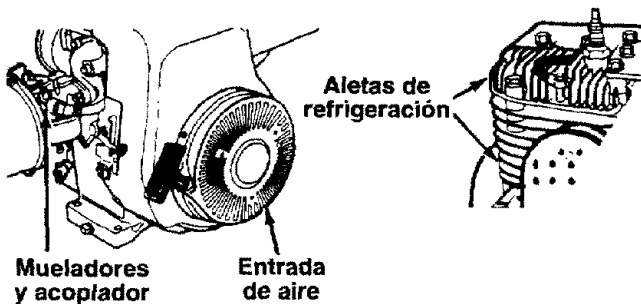


FIGURA 15.

## BUJIA

La bujía debería limpiarse y la distancia fijada nuevamente a .030" por lo menos una vez en la temporada o cada 50 horas de operación. Vea la figura 16. Se recomienda el reemplazo de la bujía al comienzo de cada temporada. Refiérase a la lista de piezas del motor para el tipo correcto de bujía.

**NOTA:** No limpie a chorro de arena la bujía. La bujía debería limpiarse raspándola con un cepillo de alambre o lavándola con un solvente comercial.

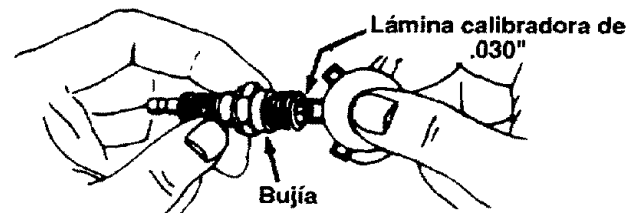


FIGURA 16.

## SILENCIADOR

No opere la picadora-desmenuzadora sin un silenciador o manipulee el sistema de escape. Los silenciadores dañados o retenedores de chispas podrían crear un riesgo de incendio. Inspeccione periódicamente y reemplaza si fuera necesario. Si su motor está equipado con un conjunto de filtro de retenedor de chispas, quítelo cada 50 horas para limpieza e inspección. Reemplázelo si estuviera dañado.

# ALMACENAMIENTO

Prepare su picadora-desmenuzadora para almacenamiento al final de la temporada o si no se usará la unidad por 30 o más días.



**ADVERTENCIA: NUNCA ALMACENE LA MAQUINA CON COMBUSTIBLE EN EL TANQUE DE COMBUSTIBLE DENTRO DE UN EDIFICIO DONDE LOS VAPORES PUEDEN ALCANZAR A UNA LLAMA O CHISPA, O DONDE ESTEN PRESENTES FUENTES DE ENCENDIDO TALES COMO CALENTADORES DE AGUA CALIENTE Y ESPACIO, HORNOS, SECADORES DE ROPA, COCINAS, MOTORES ELECTRICOS, ETC.**

**NOTA:** Una buena manera de asegurar que su picadora-desmenuzadora proveerá un rendimiento máximo la temporada próxima es una revisión anual en su Centro de Servicio Sears.

## PICADORA-DESMENUZADORA

- Limpie completamente la picadora-desmenuzadora.
- Frote la unidad con un trapo aceitado para evitar la oxidación (use un aceite liviano o siliconas).

## MOTOR

**IMPORTANTE:** ES IMPORTANTE EVITAR QUE SE FORMEN DEPOSITOS DE GOMA SOBRE LAS PARTES ESENCIALES DEL SISTEMA DE COMBUSTIBLES TALES COMO CARBURADOR, FILTRO DE COMBUSTIBLE, MANGUERA DE COMBUSTIBLE, O TANQUE DURANTE EL ALMACENAMIENTO. LA EXPERIENCIA TAMBIEN INDICA QUE QUE LOS COMBUSTIBLES MEZCLADOS CON ALCOHOL (LLAMADO GASOHOL O USANDO ETANOL O METANOL) PUEDE ATRAER HUMEDAD LO QUE CONDUCE A LA SEPARACION Y FORMACION DE ACIDOS DURANTE EL ALMACENAMIENTO. EL GAS ACIDOGENO PUEDE DAÑAR EL SISTEMA DE COMBUSTIBLE DE UN MOTOR MIENTRAS ESTA EN ALMACENAMIENTO.

- Drene el tanque de combustible.
- Encienda el motor y déjelo funcionar hasta vaciar las líneas de combustible y del carburador.
- Nunca use productos limpiadores de motor o carburador en el tanque de combustible ya que puede ocurrir un daño permanente. La próxima temporada use combustible fresco.



**NOTA:** Un estabilizador de combustible es una alternativa aceptable para minimizar la formación de depósitos de goma durante el almacenamiento. Agregue estabilizador a la gasolina en el tanque de combustible o en el contenedor de almacenamiento. Siga siempre la proporción de mezcla indicada en el contenedor del estabilizador. Haga funcionar el motor por 10 minutos por lo menos después de agregar el estabilizador para permitir que el estabilizador llegue al carburador. Si usa el estabilizador de combustible no drene el tanque de gas y el carburador.

- Drene todo el aceite del cárter (esto debería hacerse después que el motor ha funcionado y está todavía caliente) y llene nuevamente el cárter con aceite fresco.
- Proteja el interior del motor como sigue si ha drenado el tanque de combustible. Quite la bujía, vierta 1/2 onza aproximadamente (una cucharada

de té aproximadamente) de aceite de motor lentamente dentro del cilindro y cigüeñal para distribuir el aceite. Vuelva a colocar la bujía.

## OTROS

- No almacene gasolina de una temporada para otra.
- Reemplace su lata de gasolina si su lata comienza a oxidarse. Oxido y/o suciedad en su gasolina causará problemas.
- Almacene la unidad en un área limpia, seca. No almacene cerca de materiales corrosivos tales como fertilizantes.

**NOTA:** Si almacena en un galpón de almacenamiento no ventilado o de metal, asegúrese de proteger el equipo contra la oxidación recubriéndolo con un aceite liviano o siliconas.

## SERVICIO Y AJUSTE



**ADVERTENCIA: SIEMPRE APAGUE EL MOTOR Y DESCONECTE EL CABLE DE LA BUJÍA Y ALEJALO DE LA BUJÍA ANTES DE EFECTUAR CUALQUIER MANTENIMIENTO O AJUSTES.**

### EXTRAYENDO EL TAMIZ DE LA DESGRANADORA

Extraiga el tamiz de la desgranadora y limpie el área si el área de descarga se taponó.

- Apague el motor, asegúrese de que la picadora-desmenuzadora se ha detenido por completo y desconecte el cable de la bujía de la misma antes de desatancar la canaleta.
- Afloje las dos perillas de mano a cada lado del deflector de la canaleta. Eleve el deflector, y amárrelo fuera del paso.
- Saque dos broches de horquilla de los pernos de horquilla los cuales se extienden a través de la cubierta. Quite los pernos de horquilla. Levante el tamiz de la desgranadora desde el interior de la cubierta. Vea la figura 17.
- Limpie el tamiz raspándolo o lavándolo con agua. Vuelva a colocar el tamiz.

**NOTA:** Asegúrese de rearmar el tamiz de la desgranadora con el lado curvo hacia abajo como se muestra en la figura 17.

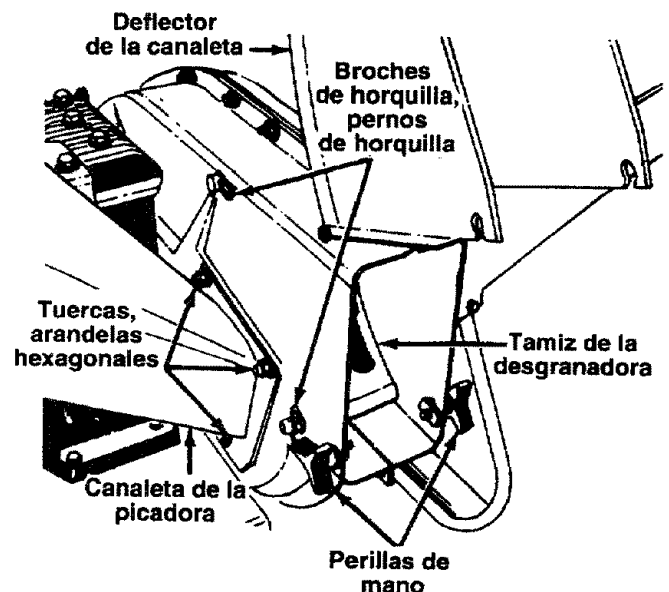


FIGURA 17.

### AFILANDO O REEMPLAZANDO LAS CUCHILLAS DE LA PICADORA

- Desconecte el cable de la bujía y aléjelo de la misma.
- Quite el tamiz de la desgranadora como indicado en la sección anterior.
- Quite la canaleta de la picadora sacando tres tuercas y arandelas hexagonales. Se requiere una llave de 1/2". Vea la figura 17.

**NOTA:** La arandela acopada está en el fondo de la canaleta de la picadora con la parte acopada contra la canaleta.

- Rote a mano el conjunto del impulsor hasta que ubique una de las cuchillas de la picadora en la abertura de la canaleta de la picadora. Quite la cuchilla, usando una llave Allen de 3/16" en el exterior de la cuchilla y una llave de 1/2" en el conjunto del impulsor (dentro de la cubierta). Vea la figura 18.
- Quite la otra cuchilla de la misma manera.

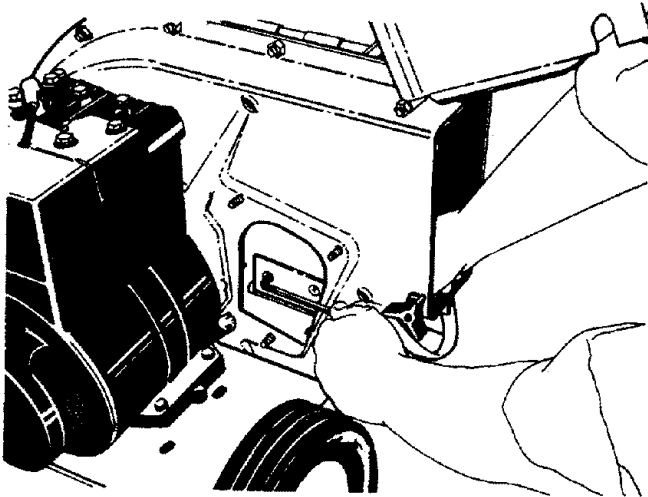


FIGURA 18.

Reemplace o afile las cuchillas. En el caso de afilar asegúrese de quitar una cantidad igual de ambas. Rearme en orden inverso.

Asegúrese de que ciertas cuchillas sean colocadas nuevamente en posición con el borde afilado enfrentando la dirección mostrada en la figura 19 (el borde afilado se arma hacia la abertura ranurada en el conjunto del impulsor).

### CUCHILLA DE DESMENUZAR

Puede retirarse la cuchilla de desmenuzar como sigue.

- Desconecte el cable de la bujía y aléjelo de la misma.
- Baje el conjunto de la tolva. Tapone la cubierta. Vea la figura 19.
- Quite las seis contratuercas y arandelas de seguridad hexagonales de los pernos soldados de la cubierta usando una llave de 1/2". Separe la picadora-desmenuzadora en dos mitades.
- Quite la plancha de respaldo

**NOTA:** Asegúrese, cuando esté rearmando, de que la abertura en la plancha de respaldo enfrente el fondo de la unidad. Puede invertirse la plancha de respaldo para proveer un nuevo borde de corte.

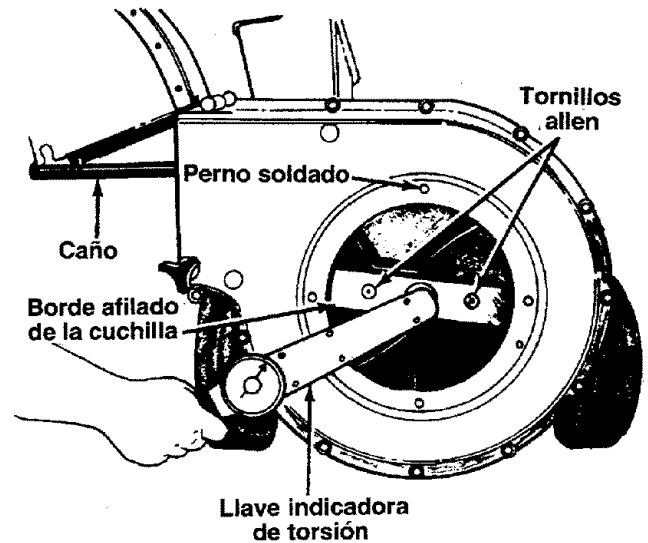


FIGURA 19.

- Afloje las dos perillas de mano y las arandelas acopadas que aseguran el deflector de la canaleta, y levante el mismo.
- Inserte un caño de 1/2" o 3/4" de diámetro a través del tamiz de la desgranadora, dentro del impulsor para evitar que gire, o retire el tamiz de la desgranadora e inserte un trozo de madera (2x4) en la abertura de la canaleta.

- Quite los dos tornillos exteriores de la cuchilla usando una llave Allen de 3/16" y una llave de 1/2".
- Retire la cuchilla sacando el perno central, arandela de seguridad y arandela plana.

**NOTA:** Use precaución cuando retire la cuchilla para evitar contacto con los pernos soldados de la cubierta.

- Cuando esté afilando la cuchilla, siga el ángulo original de esmerilado como guía. Es extremadamente importante que cada borde de corte reciba una cantidad igual de esmerilado para evitar una cuchilla desequilibrada. una cuchilla desequilibrada causará una vibración excesiva cuando gire a alta velocidad y puede causar daño a la unidad.
- Puede probarse la cuchilla para equilibrio equibrándola sobre un destornillador redondo de eje o uña. Quite metal del lado pesado hasta que esté equilibrada igualmente. Vea la figura 20.

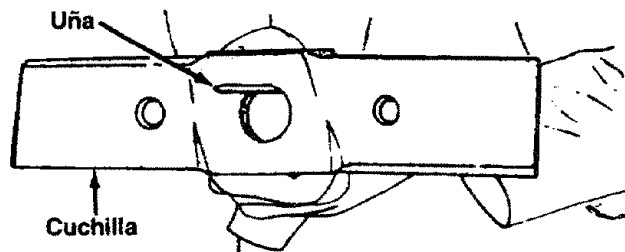


FIGURA 20.

- Ajuste entre 550 y 650 pulgadas libras, cuando rearme la cuchilla, o ajuste seguramente si no tuviera una llave indicadora de torsión.

## DESGRANADORAS

Las desgranadoras ubicadas dentro de la cubierta, pueden ser invertidas cuando pierdan el filo. Se recomienda que este procedimiento sea efectuado por su Departamento de Servicio de Sears más cercano.

## AJUSTE DEL CARBURADOR



**ADVERTENCIA: SI SE EFECTUAN AJUSTES AL MOTOR MIENTRAS ESTA FUNCIONANDO (EJ.: CARBURADOR), MANTENGASE ALEJADO DE TODAS LAS PIEZAS MOVILES. TENGA CUIDADO CON LAS SUPERFICIES CALIENTES Y EL SILENCIADOR.**

El carburador ha sido programado en la fábrica y no debe repuerir ajustes. De cualquier manera, si su motor no funciona correctamente puede deberse a problemas del carburador, lleve su picadora desmenuzadora a su centro de servicio Sears mas proximo.

## VELOCIDAD DEL MOTOR

la velocidad de su motor ha sido fijada en fábrica. No trate de aumentar la velocidad del motor ya puede resultar en lesiones personales. Si usted cree que el motor está funcionando demasiado rápido o demasiado lento, lleve su picadora-desmenuzadora al Centro de Servicio Sears más cercano para reparar y ajustar.

## LOCALIZACION DE FALLAS

PROBLEMA	CAUSA(S) POSIBLE	ACCION CORRECTIVA
El motor no se enciende	<ul style="list-style-type: none"> <li>● El tanque de combustible está vacío, o combustible rancio.</li> <li>● El cable de la bujía está desconectado.</li> <li>● Bujía defectuosa.</li> </ul>	<ul style="list-style-type: none"> <li>● Llene el tanque con combustible limpio, fresco.</li> <li>● Conecte el cable a la bujía.</li> <li>● Limpie, ajuste el espacio o reemplace.</li> </ul>
Pérdida de potencia: operación irregular	<ul style="list-style-type: none"> <li>● El cable de la bujía está flojo.</li> <li>● La unidad está funcionando en CHOKE.</li> <li>● La línea de combustible está bloqueada o combustible rancio.</li> <li>● Agua o suciedad en el sistema de combustible.</li> <li>● El carburador está desajustado.</li> <li>● Filtro de aire sucio.</li> </ul>	<ul style="list-style-type: none"> <li>● Conecte y ajuste el cable de la bujía.</li> <li>● Mueva la palanca del regulador a la posición OFF.</li> <li>● Limpie la línea de combustible; llene el tanque con gasolina limpia, fresca.</li> <li>● Desconecte la línea de combustible en el carburador para drenar el tanque de combustible. Llene con gasolina fresca.</li> <li>● Ajuste el carburador o llame a su Centro de Servicio Sears.</li> <li>● Sirva el filtro de aire. Vea la sección de Responsabilidades del Cliente de este manual.</li> </ul>
El motor sobrecalienta	<ul style="list-style-type: none"> <li>● El carburador no está ajustado adecuadamente.</li> <li>● Nivel bajo de aceite.</li> </ul>	<ul style="list-style-type: none"> <li>● Llame a su Centro de Servicio Sears.</li> <li>● Llene el cárter con aceite adecuado.</li> </ul>
Demasiada vibración dañado	<ul style="list-style-type: none"> <li>● Piezas sueltas o impulsor.</li> </ul>	<ul style="list-style-type: none"> <li>● Apague inmediatamente el motor y desconecte el cable de la bujía. Ajuste todos los pernos y tuercas. Efectúe todas las reparaciones necesarias. Haga que sirvan la unidad en un Centro de Servicio Sears si la vibración continúa.</li> </ul>
La unidad no descarga	<ul style="list-style-type: none"> <li>● La canaleta de descarga está taponada.</li> <li>● Objeto extraño alojado en el impulsor.</li> </ul>	<ul style="list-style-type: none"> <li>● Apague inmediatamente el motor y desconecte el cable de la bujía. Limpie el tamiz de la desgranadora y el interior de la cubierta del soplador. Vea la sección de Servicio/Ajustes de este manual.</li> <li>● Apague inmediatamente el motor y desconecte el cable de la bujía. Retire el objeto alojado.</li> </ul>
La velocidad de descarga disminuye considerablemente o cambia la composición del material descargado	<ul style="list-style-type: none"> <li>● La cuchilla de desmenuzar y/o las cuchillas de picar están desafiladas.</li> </ul>	<ul style="list-style-type: none"> <li>● Afíle y reemplace las cuchillas de desmenuzar y picar.</li> </ul>

NOTA: Para reparaciones diferentes a los ajustes menores listados arriba, por favor llame a su Centro de Servicio Sears más cercano.

## COMO ORDENAR PIEZAS DE REPUESTO

Cada picadora-desmenuzadora tiene su número propio de modelo. Cada motor tiene su número propio de modelo.

El número de modelo para su picadora-desmenuzadora se encuentra en un rótulo pegado al marco.

El número de modelo del motor se encuentra en la cubierta del soplador del motor.

Todas las piezas listadas aquí pueden ordenarse de los Centros de Servicio de Sears Roebuck and Co. y en la mayoría de las tiendas al por menor.

**CUANDO ORDENE PIEZAS DE REPUESTO SIEMPRE PROPORCIONE LA INFORMACION SIGUIENTE:**

- PRODUCTO - "PICADORA-DESMENUZADORA DE 5 H.P."

- NUMERO DE MODELO -247.795940
- NUMERO DE MODELO DEL MOTOR - HS50-67344G
- NUMERO DE PIEZA
- DESCRIPCION DE LA PIEZA

Su mercadería de Sears tiene un valor agregado cuando usted considera que Sears tiene unidades de servicio en todo el país con personal técnico entrenado de Sears...técnicos profesionales entrenados específicamente en los productos de Sears, teniendo las piezas, herramientas y el equipo para asegurar que cumplamos con nuestra promesa a usted.." servimos lo que vendemos."

Para las piezas de repuesto, vea el reverso del manual. Las listas de las piezas comienzan en la página 16.

## Free Manuals Download Website

<http://myh66.com>

<http://usermanuals.us>

<http://www.somanuals.com>

<http://www.4manuals.cc>

<http://www.manual-lib.com>

<http://www.404manual.com>

<http://www.luxmanual.com>

<http://aubethermostatmanual.com>

Golf course search by state

<http://golfingnear.com>

Email search by domain

<http://emailbydomain.com>

Auto manuals search

<http://auto.somanuals.com>

TV manuals search

<http://tv.somanuals.com>