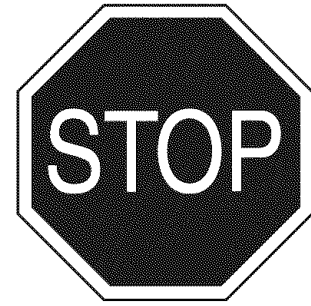


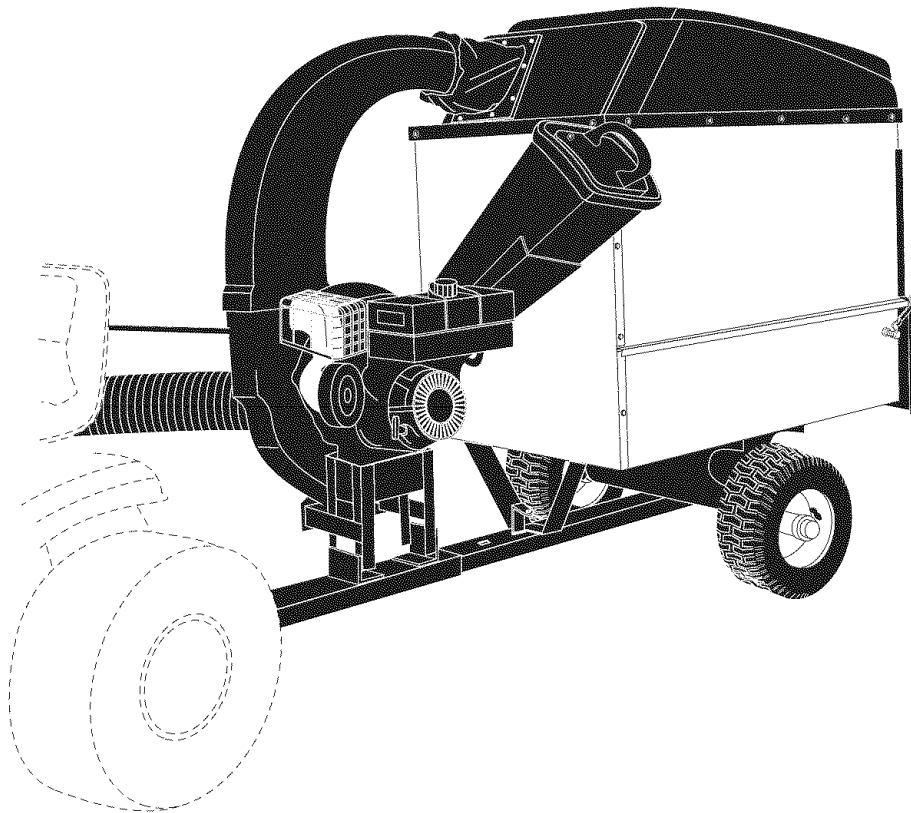
Operator's Manual



6.5 HP CHIP-N-VAC

Model No. 486.24517

DO NOT RETURN TO STORE
For Missing Parts or Assembly
Questions Call 1-866-576-8388



CAUTION:

Before using this product, read this manual and follow all Safety Rules and Operating Instructions.

- Safety
- Assembly
- Operation
- Maintenance
- Parts

Sears, Roebuck and Co., Hoffman Estates, IL 60179 U.S.A.
www.sears.com/craftsman

PRINTED IN U.S.A.

FORM NO. 40316 (08/06)

TABLE OF CONTENTS

WARRANTY	2	SERVICE AND ADJUSTMENTS	21
SAFETY RULES.....	3	STORAGE	21
FULL SIZE HARDWARE CHART	6	TROUBLESHOOTING.....	22
CARTON CONTENTS.....	7	REPAIR PARTS ILLUSTRATIONS	23,24,26
ASSEMBLY	8	REPAIR PARTS LISTS	23,25,26
OPERATION	18	SLOPE GUIDE	27
MAINTENANCE	20	PARTS ORDERING/SERVICE	Rear Cover

WARRANTY

LIMITED WARRANTY ON CRAFTSMAN POWERED TRACTOR ATTACHMENTS

For one (1) year from the date of purchase, if this Craftsman Equipment is maintained, lubricated and tuned up according to the instructions in the owner's manual, Sears will repair or replace free of charge any parts found to be defective in material or workmanship. Warranty service is available free of charge by returning your Craftsman equipment to your nearest Sears Service Center. In-home warranty service is available but a trip charge will apply. This Warranty applies only while this product is in the United States.

This Warranty does not cover:

- Expendable items which become worn during normal use, such as spark plugs, air cleaners, belts, and oil filters.
- Tire replacement or repair caused by punctures from outside objects, such as nails, thorns, stumps, or glass.
- Repairs necessary because of operator abuse, including but not limited to, damage caused by impacting objects that bend the frame or crankshaft, or over-speeding the engine.
- Repairs necessary because of operator negligence, including but not limited to, electrical and mechanical damage caused by improper storage, failure to use the proper grade and amount of engine oil, or failure to maintain the equipment according to the instructions contained in the owner's manual.
- Engine (fuel system) cleaning or repairs caused by fuel determined to be contaminated or oxidized (stale). In general, fuel should be used **within 30 days** of its purchase date.
- Equipment used for commercial or rental purposes.

LIMITED WARRANTY ON BATTERY

For ninety (90) days from date of purchase, if any battery included with the equipment proves defective in material or workmanship and our testing determines the battery will not hold a charge, Sears will replace the battery at no charge. Warranty service is available free of charge by returning your Craftsman equipment to your nearest Sears Service Center. In-home warranty service is available but a trip charge will apply. This Warranty applies only while this product is in the United States.

TO LOCATE THE NEAREST SEARS SERVICE CENTER OR TO SCHEDULE SERVICE, SIMPLY CONTACT SEARS AT 1-800-4-MY-HOME.

This warranty gives you specific legal rights, and you may also have other rights, which vary from state to state.



SAFETY



Any power equipment can cause injury if operated improperly or if the user does not understand how to operate the equipment. Exercise caution at all times, when using power equipment.

- Read and follow all instructions in this manual before attempting to assemble or operate this equipment. Failure to comply with these instructions may result in personal injury. Keep this manual in a safe place for future reference and for ordering replacement parts.
- Read this operating and service instruction manual carefully. Be thoroughly familiar with the controls and proper use of this power vacuum.
- Read the vehicle owners manual and vehicle safe operation rules before using this equipment.
- Never allow children under 16 to operate this Chipper Vac. Children 16 years and older should only operate under close parental supervision.
- Do not allow anyone to operate this equipment without proper instructions.
- Do not allow passengers to ride on this equipment or on the towing vehicle.
- Keep the area of operation clear of all persons, particularly small children. Also keep area clear of pets.
- Check fuel before starting engine. Do not fill fuel tank indoors, or when engine is running, or while engine is hot. Wipe off any spilled fuel before starting engine.
- Engine and muffler get hot. Do not touch! To avoid fire hazard, keep clean of debris and other accumulations.
- Never store Chipper Vac with fuel in tank. Allow engine to cool before storing in any enclosure.
- Do not change engine governor settings.
- Do not operate engine if air cleaner or cover is removed, except for adjustment. Removal of these parts could create a fire hazard.
- Before cleaning, repairing or inspecting, make certain all moving parts come to a complete stop. Disconnect spark plug wire and keep wire away from plug to prevent accidental starting. Keep throttle control lever in stop position.
- If the Chipper Vac should become blocked with debris at any point, shut engine off and wait until the impeller comes to a complete stop before attempting to remove the obstruction. Disconnect spark plug wire to prevent accidental starting.
- If the cutting mechanism strikes a foreign object, or if your Chipper Vac should start to vibrate abnormally, stop the engine immediately, disconnect the spark plug wire and move the wire away from the spark plug. Allow the machine to stop and take the following steps.
 - a. Inspect for damage.
 - b. Repair or replace any damaged parts.
 - c. Check for loose parts and tighten to assure continued safe operation.
- Check all bolts for tightness at frequent intervals to help insure safe operation.
- Check vinyl hard top boot frequently for wear. Replace if worn or damaged.
- Never operate Chipper Vac unless deck adapter, hose, hose adapter (nozzle), discharge chute (elbow), chipper chute and top cover are properly attached in their place.
- Do not remove top cover or attempt to empty contents of cart while engine is running.
- Never attempt to change hose adapter (nozzle) or to install remote hose attachment when engine is running.
- Keep all shields and guards (e.g. chipper chute, discharge chute (elbow) and hose adapter (nozzle) in place and securely attached.
- Keep hands, feet, face, long hair and clothing out of inlet and discharge area. There are ROTATING BLADES inside these openings.
- Always wear safety glasses or other suitable eye protection when operating or maintaining this equipment.
- Wear protective gloves when feeding material into the chipper chute. Avoid loose fitting clothing.
- Keep face and body clear of the chipper chute to avoid accidental bounce back of any material.
- When feeding material into this equipment, be extremely careful that pieces of metal, rocks, bottles, cans or other foreign objects are not included. Personal injury or damage to the machine could result.
- Do not stand behind cart in exhaust discharge area while engine is running.
- Do not operate this equipment while intoxicated or while taking drugs or medication that impairs the senses and reactions.
- When using this equipment, start with the vehicle transmission in first (low) gear and then gradually increase speed only as conditions permit.
- Operate this equipment at reduced speed on rough terrain, along creeks and ditches and on slopes to prevent tipping or loss of control. Do not drive too close to a creek or ditch.
- Vehicle braking and stability are affected by the addition of this equipment. Do not fill the Chipper Vac to its full capacity without checking the capability of the towing vehicle to safely pull and stop with the Chipper Vac attached.
- Before operating on any grade (hill) refer to the safety rules in the vehicle owner's manual concerning safe operation on slopes. Also refer to the SLOPE GUIDE on page 27 of this owner's manual. Do not operate on slopes in excess of 10 degrees. STAY OFF STEEP SLOPES.
- Follow the maintenance instructions outlined in this manual.



Look for this symbol to point out important safety precautions. It means — **Attention!! Become alert!! Your safety is involved.**



DANGER: This Chipper Vac was built to be operated according to the rules for safe operation in this manual. As with any type of power equipment, carelessness or error on the part of the operator can result in serious injury. This unit is capable of amputating fingers and hands and throwing objects. Failure to observe the following safety instructions could result in serious injury or death.

WARNING

TO AVOID SERIOUS INJURY

- Read Owner's Manual and all safety labels on machine before starting and using machine.
- Do Not remove top cover or attempt to empty contents of cart while engine is running.
- Do Not stand behind cart in exhaust discharge area while engine is running.
- Keep hands, feet, face, long hair and clothing out of chipper inlet, vac inlet, and discharge area. There are **ROTATING BLADES** inside these openings.
- Wear approved safety glasses and gloves. Avoid loose fitting clothes.
- Keep the area of operation clear of all persons, particularly small children and pets.
- Keep all shields and guards (e.g. upper chipper chute extension, discharge chute, nozzle assembly) in place and securely attached.
- Check discharge boot frequently for wear. Replace if worn or damaged.
- If unit becomes clogged or jammed, shut off engine right away. Do Not attempt to clear clog or jam with engine running.
- Muffler and engine get hot and can cause burns. Do Not Touch. To avoid a fire hazard, keep leaves, grass and other combustible debris off hot muffler and engine.
- Do Not attempt to remove or attach vac nozzle or optional Hose Kit with engine running.
- Do Not operate unit unless nozzle or optional Hose Kit is secured in place.
- Do Not fill gas tank while engine is running. Allow engine to cool at least 2 minutes before refueling.



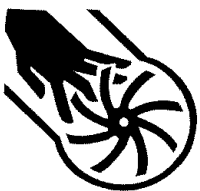
DANGER

**ROTATING CUTTING BLADES.
KEEP HANDS AND FEET OUT
OF OPENINGS WHILE MACHINE
IS RUNNING.**



WARNING

**MUFFLER & ADJACENT AREAS
MAY EXCEED 150 ° F**



DANGER

**HAZARDOUS ROTATING BLADES INSIDE. KEEP HANDS AWAY FROM ALL
OPENINGS. DO NOT REMOVE OR ATTACH HOSE, HOSE ADAPTER, ELBOW OR
OPTIONAL HOSE KIT WHEN ENGINE IS RUNNING!**



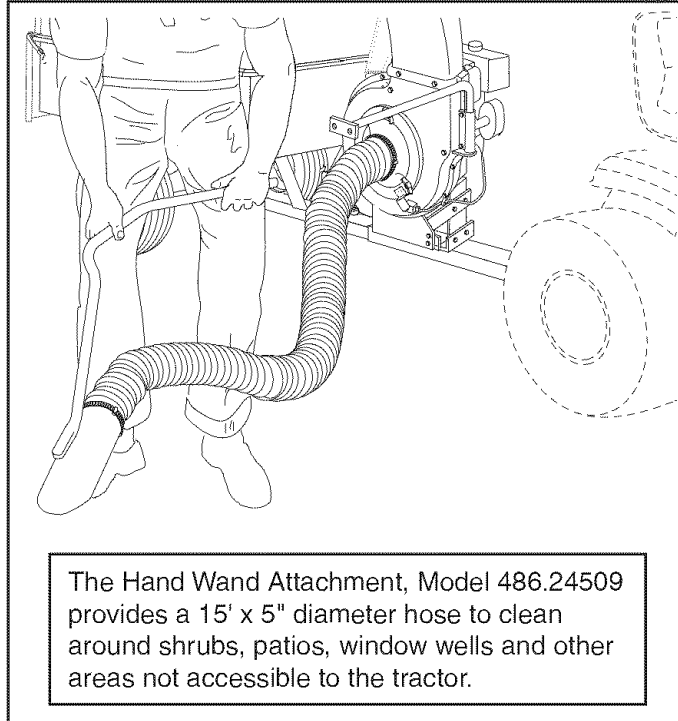
WARNING

This unit is equipped with an internal combustion engine and should not be used on or near unimproved forest-covered, or grass-covered land unless the engine's exhaust system is equipped with a spark arrester meeting applicable local or state laws (if any). If a spark arrester is used, it should be maintained in effective working order by the operator.

In the State of California the above is required by law (Section 4442 of the California Public Resources Code). Other states may have similar laws. Federal laws apply on federal lands. A spark arrester muffler is available at your nearest engine authorized service center.

ACCESSORIES AND ATTACHMENTS

These accessories were available when the unit was purchased. They are also available at most Sears retail outlets and service centers. Most Sears stores can order repair parts for you when you provide the model numbers of your tractor and Chipper Vac System.



The model and serial numbers will be found on a decal attached to the engine base.

You should record both the serial number and the date of purchase and keep in a safe place for future reference.

MODEL NUMBER:

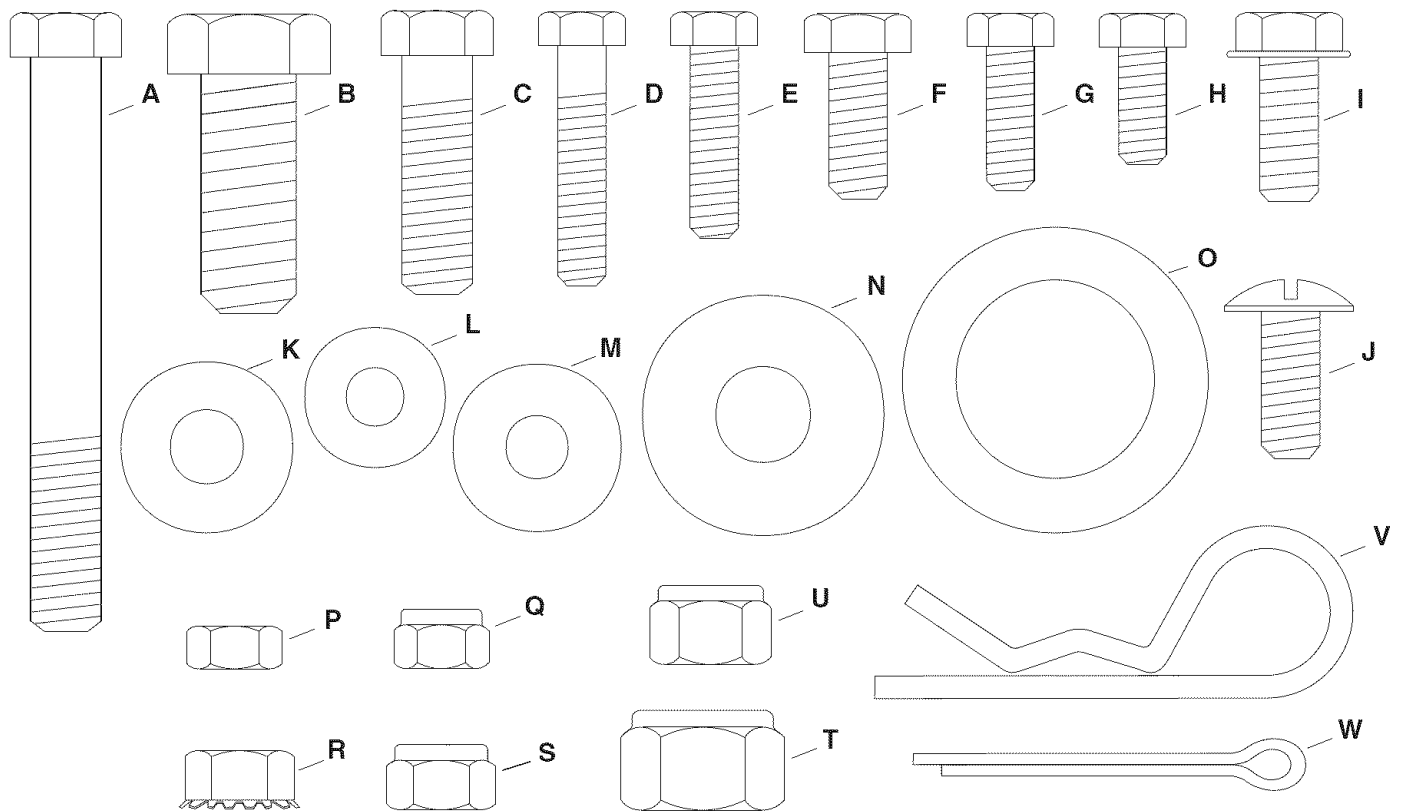
486.24517

SERIAL NUMBER:

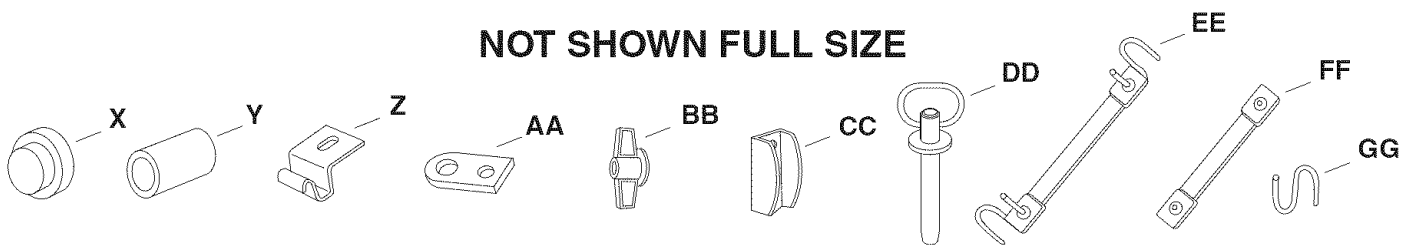
DATE OF PURCHASE:

HARDWARE PACKAGE CONTENTS

SHOWN FULL SIZE

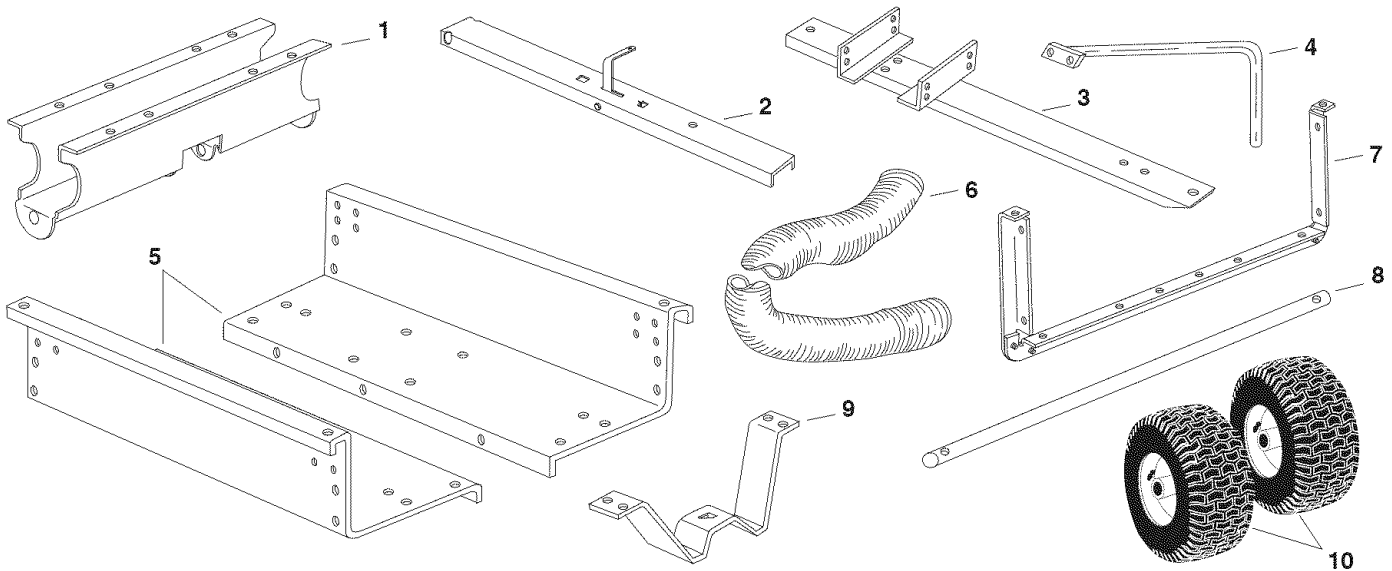


NOT SHOWN FULL SIZE



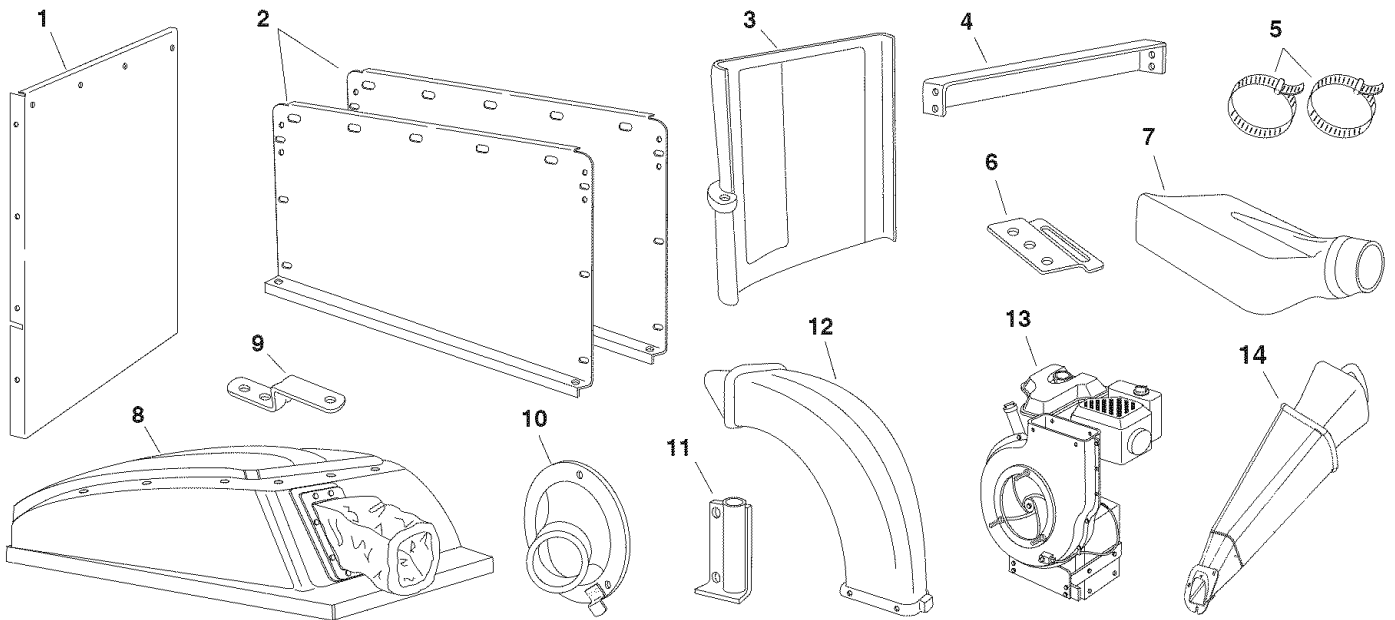
See page 13 for the Deck Adapter hardware package. (Contents not included here.)

Ref.	Qty.		Description	Ref.	Qty.		Description
	Cart	Vac			Cart	Vac	
A	3	--	Hex Bolt, 3/8" x 3"	S	10	9	Nylock Nut, 5/16"
B	--	1	Hex Bolt, 1/2" x 1-1/4"	T	--	1	Nylock Nut, 1/2"
C	2	--	Hex Bolt, 3/8" x 1-1/4"	U	5	--	Nylock Nut, 3/8"
D	--	2	Hex Bolt, 1/4" x 1-1/4"	V	1	--	Hair Cotter Pin, 1/8"
E	--	2	Hex Bolt, 1/4" x 1"	W	2	--	Cotter Pin, 1/8" x 1-1/2"
F	--	6	Hex Bolt, 5/16" x 3/4"	X	2	--	Hub Cap
G	--	14	Hex Bolt, 1/4" x 3/4"	Y	2	--	Spacer Tube
H	9	20	Hex Bolt, 1/4" x 5/8"	Z	2	--	Door Support
I	--	4	Hex Bolt, 5/16" x 3/4" Thread Forming	AA	--	1	Hitch Plate
J	12	--	Truss Head Bolt, 5/16" x 3/4"	BB	--	3	Knob
K	--	6	Nylon Washer,	CC	--	2	Door Latch
L	2	36	Flat Washer, 1/4"	DD	1	--	Hitch Pin
M	--	3	Flat Washer, 5/16"	EE	--	1	Tarp Strap, 25"
N	--	1	Flat Washer, 7/16"	FF	--	2	Tarp Strap (Less Hooks)
O	4	--	Flat Washer, 1"	GG	--	2	"S" Hooks
P	--	2	Hex Nut, 1/4"				
Q	9	38	Nylock Nut, 1/4"				
R	2	--	Hex Nut, 5/16" (SEMS)				



CARTON CONTENTS (Cart Body Carton)

Ref.	Qty.	Description	Ref.	Qty.	Description
1	1	Wheel Support	6	1	Hose
2	1	Rear Tongue	7	1	Tailgate Reinforcement Bracket
3	1	Front Tongue	8	1	Axle
4	1	Hose Hanger Rod Assembly	9	1	Latch Stand Bracket
5	2	Cart Body	10	2	Wheels



CARTON CONTENTS (Mow-N-Vac Carton)

Ref.	Qty.	Description	Ref.	Qty.	Description
1	1	Front Panel	8	1	Poly Hard Top
2	2	Side Panels	9	1	Hitch Bracket
3	1	Rear Door	10	1	Hose Adapter (Nozzle)
4	1	Cross Brace	11	1	Hose Hanger Bracket
5	2	Hose Clamp	12	1	Elbow
6	1	Adapter Bracket	13	1	Engine Base Assembly
7	1	Deck Adapter	14	1	Chipper Chute w/Tamper Plug

ASSEMBLY

This unit is shipped WITHOUT GASOLINE or OIL. After assembly, see separate engine manual for proper fuel and engine oil recommendations.

TOOLS REQUIRED FOR ASSEMBLY

- (1) Screwdriver
- (1) Pliers
- (2) 7/16" Wrenches
- (2) 1/2" Wrench
- (2) 9/16" Wrenches
- (2) 3/4" Wrenches (only if figure 23 on page 12 is used)

REMOVAL OF PARTS FROM CARTONS

1. Remove the hardware packs and all loose parts from the cartons.
2. Lay out and identify parts shown in carton contents.
3. Lay out and identify parts in the hardware packs. Keep contents of each hardware package separate.

ASSEMBLING THE CART BODY

1. Place cart body halves upright on a smooth level surface such as a garage floor or a paved driveway. See figure 1.



CAUTION: Do not leave the cart unattended in upright position during assembly. A falling cart can cause personal injury! Pay close attention to the stability of the cart while it remains in an upright position. For best stability, assemble on a smooth level surface.

2. Assemble cart body halves together using three 1/4" x 5/8" hex bolts and 1/4" nylock nuts as shown in figure 1. **Do not tighten yet.**

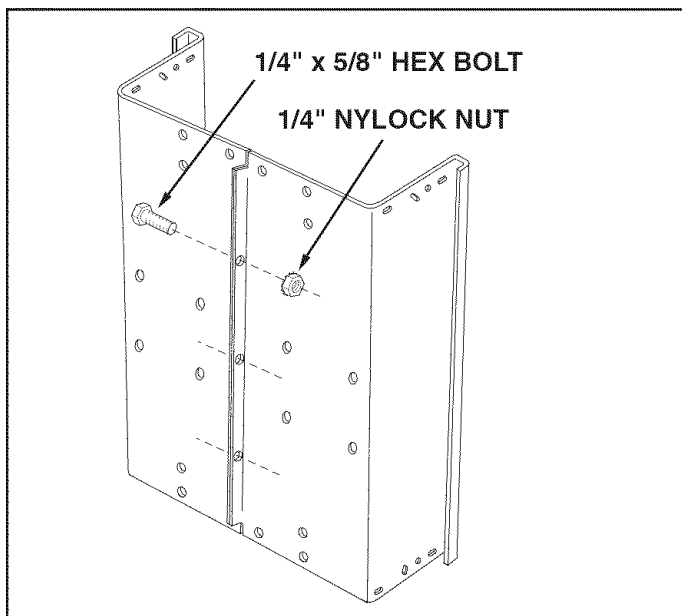


FIGURE 1

3. Fit the tailgate reinforcement bracket over the end of the cart bed. Position the two door support brackets on the bottom of the reinforcement bracket as shown in figure 2. Fasten the reinforcement bracket and the door supports to the bottom of the cart using four 5/16" x 3/4" truss head bolts and 5/16" nylock nuts. **Do not tighten yet.** See figure 2.
4. Fasten the tailgate reinforcement bracket to the sides of the cart body using four 1/4" x 5/8" hex bolts and 1/4" nylock nuts as shown in figure 2. **Do not tighten yet.**

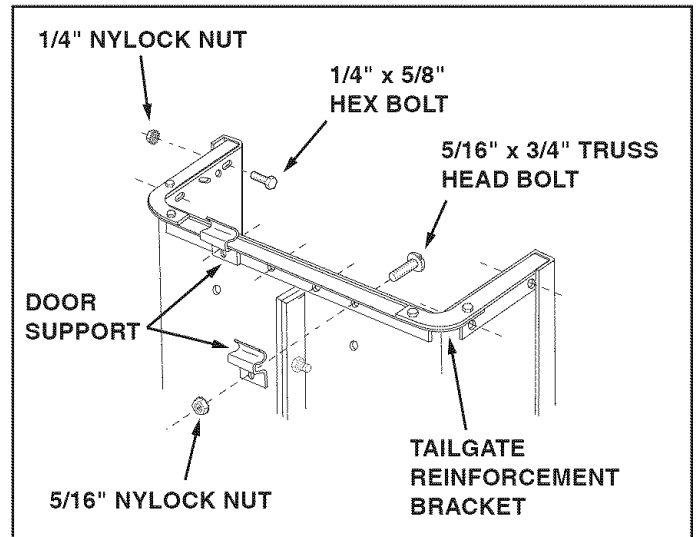


FIGURE 2

5. Pull the cart body halves together. **Tighten** the four truss head bolts in figure 2. **Tighten** the four hex bolts in figure 2. **Tighten** the three hex bolts in figure 1, keeping the bottom aligned and pulled together.
6. Carefully flip the cart end for end so that it rests on the tailgate reinforcement bracket. See figure 3.

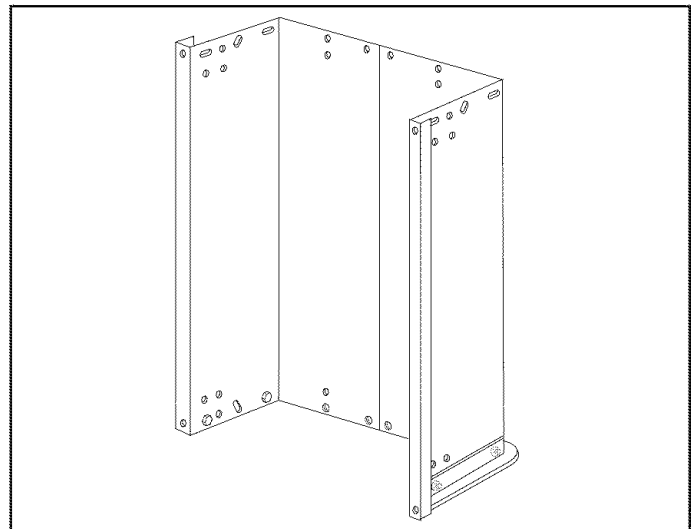


FIGURE 3

7. Assemble the wheel support to the bottom of the cart using eight 5/16" x 3/4" truss head bolts and 5/16" nylock nuts as shown in figure 4. Heads of bolts go on the inside of cart. **Tighten.**

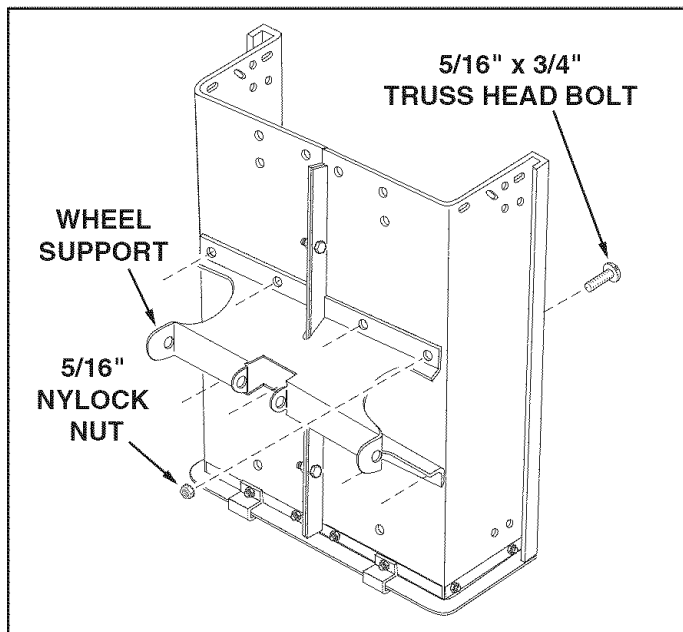


FIGURE 4

8. To prevent accidental tipping during the following assembly procedures, lower the cart to rest upside down, with the wheel support facing up, as shown in figure 5.
9. Align the latch stand bracket so that the tab is at the rear. Fasten the bracket to the rear set of holes at the front of the cart using two 1/4" x 5/8" hex bolts, 1/4" flat washers and 1/4" nylock nuts. Use the 1/4" flat washers as shims between the bracket and the cart bed. **Make finger tight.** See figure 5.

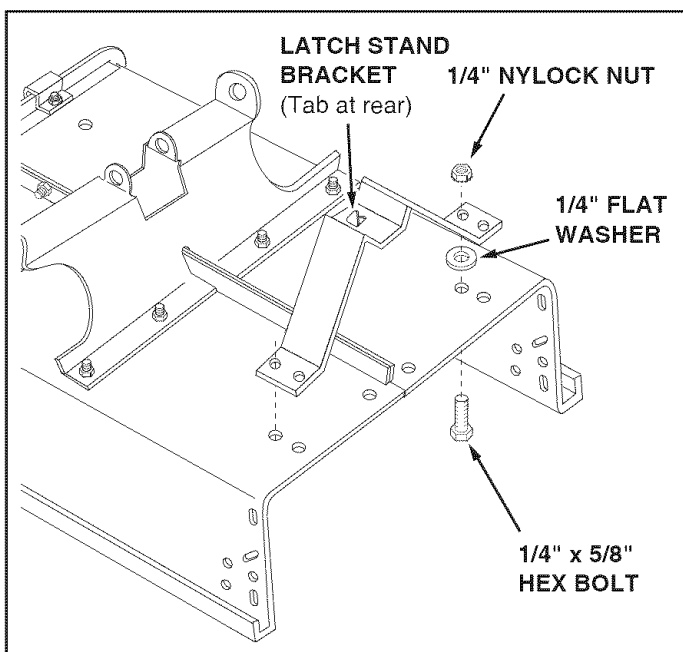


FIGURE 5

10. Position the rear tongue on the wheel support and the latch stand bracket. Assemble the axle through the wheel support and the tongue. See figure 6.

IMPORTANT: Make sure the tongue is securely locked to the latch stand bracket by the latch lock lever.

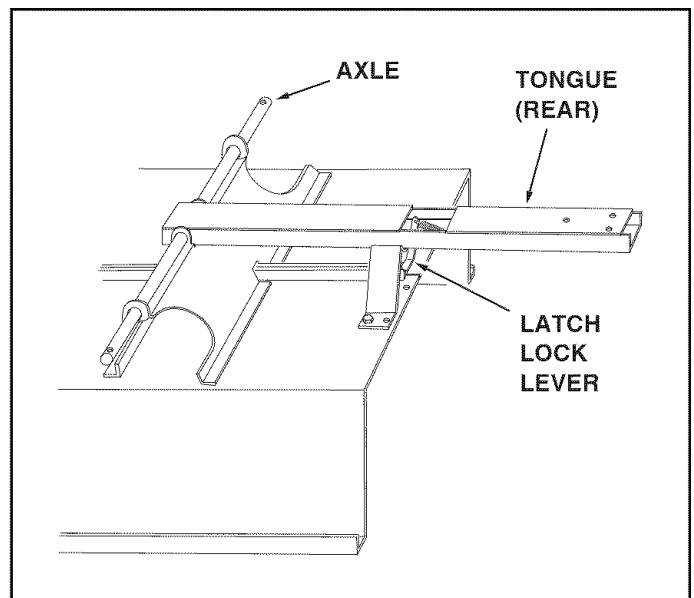


FIGURE 6

11. Assemble a spacer tube onto each end of the axle as shown in figure 7.
12. Assemble a 1" flat washer, a wheel (valve stem facing out), and another 1" flat washer onto the axle as shown in figure 7. Secure the wheel with a cotter pin, spreading the ends so that a hub cap can fit over the pin. Assemble the hub cap by pressing it onto the flat washer. Repeat on other end of axle.

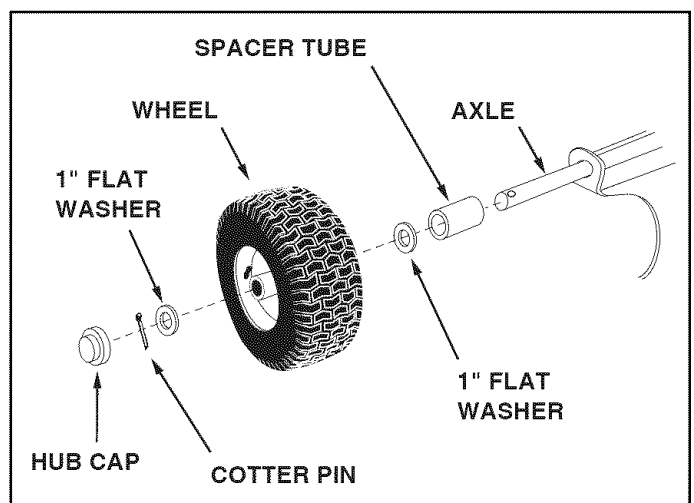


FIGURE 7

13. Flip the cart over so that it rests on its wheels.

14. Assemble the front tongue on top of the rear tongue using three 3/8" x 3" hex bolts and 3/8" nylock nuts. See figure 8.

HINT: For easier assembly, support the rear tongue with a block of wood.

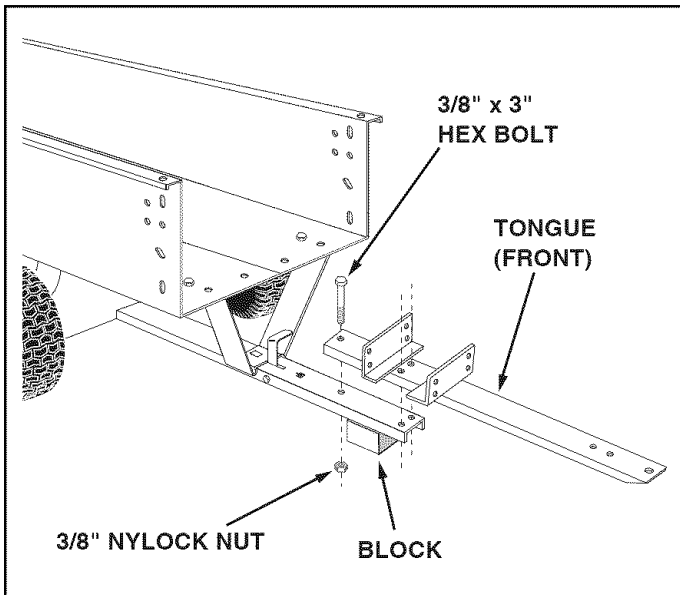


FIGURE 8

15. Assemble the hitch bracket to the front tongue using two 3/8" x 1-1/4" hex bolts and 3/8" nylock nuts. **Tighten.** See figure 9.

16. Secure the hitch pin to the hitch bracket and tongue with the hair cotter pin. See figure 9.

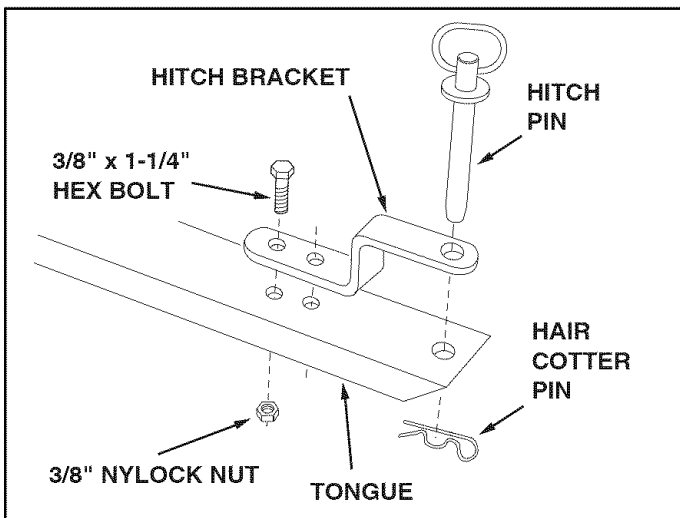


FIGURE 9

ASSEMBLING VAC PARTS

17. Release the latch lock lever and tilt the cart bed back. See figure 10.

18. Assemble the front panel to the cart bed, sliding the bottom lip of the panel in between the cart bed and the latch stand bracket. Fasten the panel to the bottom and sides of the cart bed using six 1/4" x 5/8" hex bolts and 1/4" nylock nuts. **Tighten.** See figure 10.

19. **Tighten** the two bolts that you assembled to the latch stand bracket in figure 5.

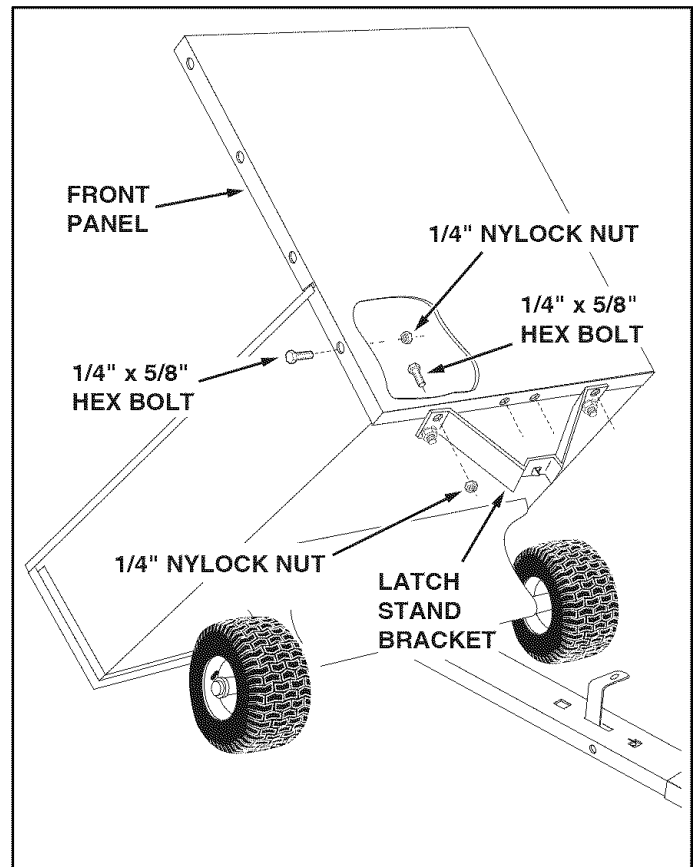


FIGURE 10

20. Place a side panel on top of the cart bed flange, inside the lip of the front panel. Fasten the side panel to the front panel using three 1/4" x 5/8" hex bolts and 1/4" nylock nuts. Fasten the side panel to the cart bed flange using two 1/4" x 5/8" hex bolts, 1/4" flat washers and 1/4" nylock nuts. **Tighten**. See figure 11. Repeat on other side.

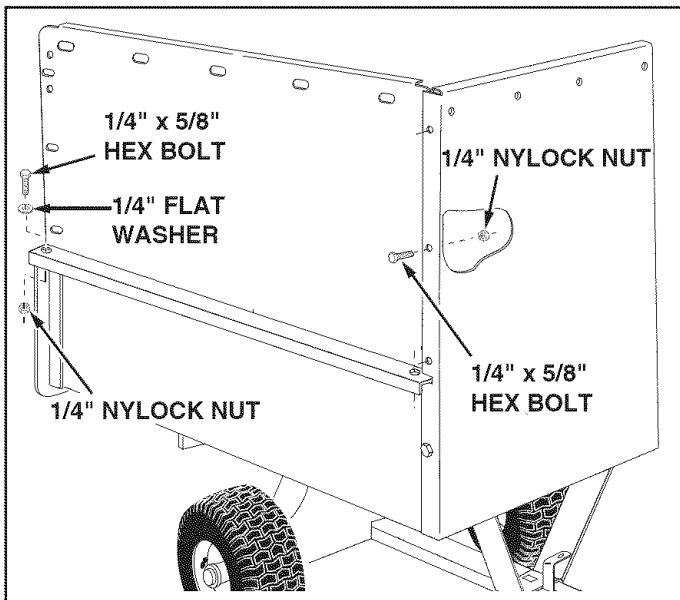


FIGURE 11

21. Screw a 1/4" hex nut approximately half an inch onto a 1/4" x 1" hex bolt. Insert the bolt into the hole shown in figure 12, in the side of the cart. Fasten the bolt to the cart using a 1/4" nylock nut. **Tighten** so that the nut is flush with the end of the bolt. Repeat on the other side. See figure 12.
22. Assemble the cross brace to the top rear holes in the side panels using four 1/4" x 5/8" hex bolts and 1/4" nylock nuts. See figure 12.

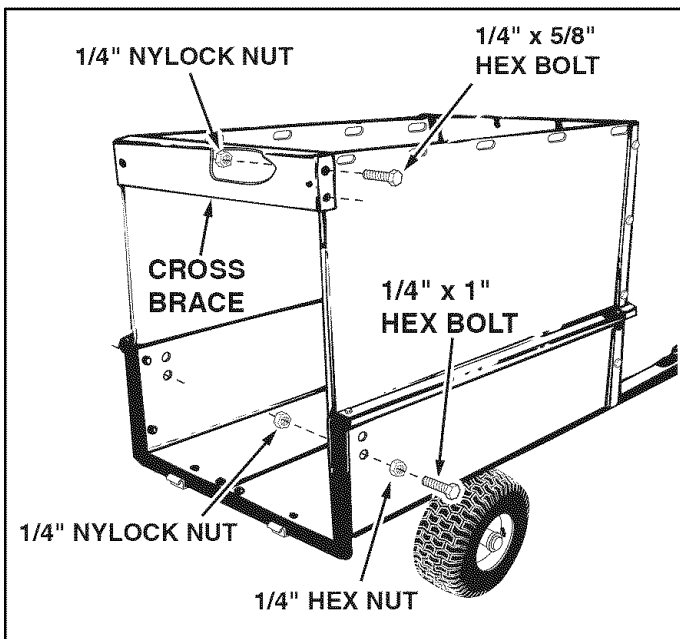


FIGURE 12

23. Assemble a door latch at each end of the cross brace using a 5/16" x 3/4" hex bolt, a nylon washer and a 5/16" nylock nut. Place the nylon washer between the door latch and cross brace. **Tighten** so that latch is snug but will still rotate. See figure 13.

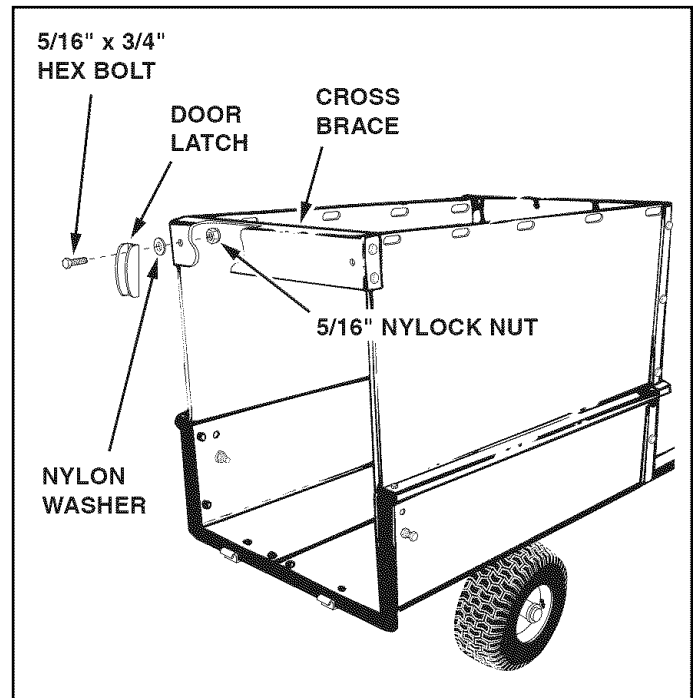


FIGURE 13

24. Install the poly hard top using fourteen 1/4" x 3/4" hex bolts and 1/4" flat washers on the outside and fourteen 1/4" flat washers and 1/4" nylock nuts on the inside. **Tighten**. See figure 14.

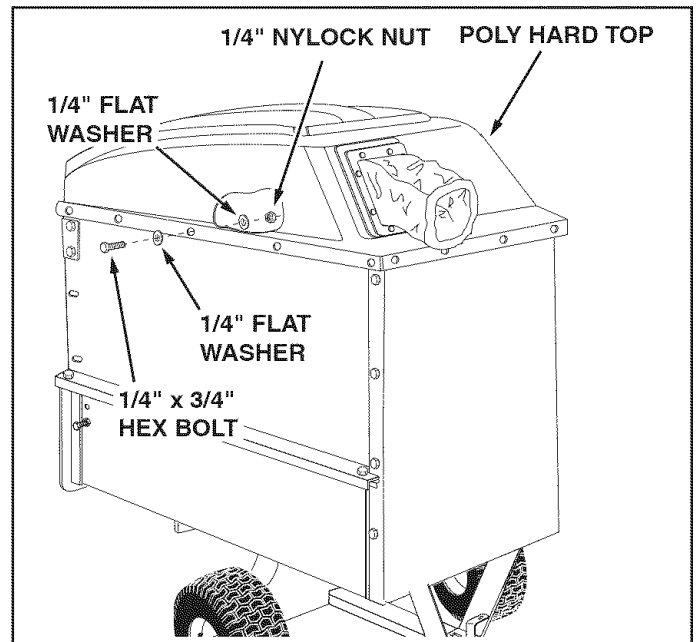


FIGURE 14

25. Assemble a short tarp strap to rear door using one 1/4" x 1-1/4" hex bolt, two 1/4" flat washers and one 1/4" nylock nut. Assemble an "S" hook through loose end of strap. See figure 15. Repeat on other side of door.
26. Assemble door to rear of cart by resting bottom of door on door supports and pushing top of door in against cross brace. Secure top of door using door latches on each side. See figure 15.
27. Hook both the tarp straps onto the 1/4" x 1" hex bolts in the sides of the cart. See figure 15.

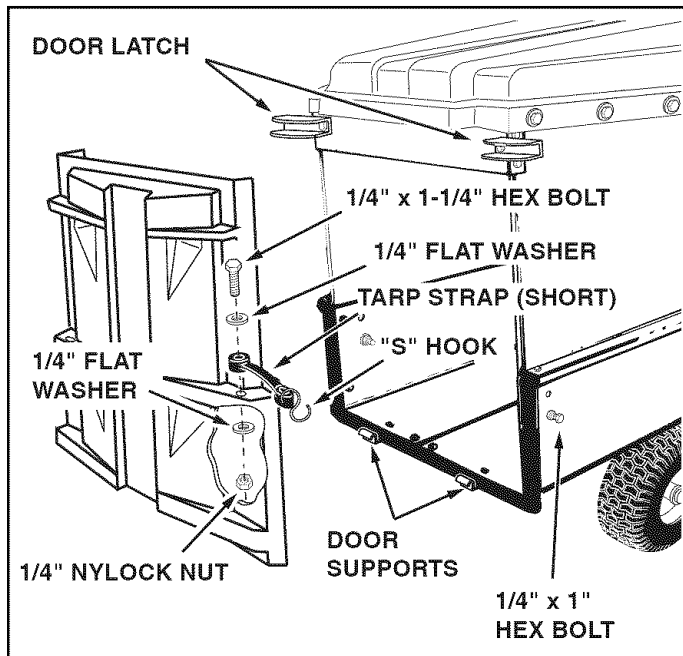


FIGURE 15

28. Attach the engine/impeller housing assembly to the **upper** holes in the angles welded to the tongue. Use four 5/16" x 3/4" hex bolts and 5/16" nylock nuts. **Tighten**. See figure 16.

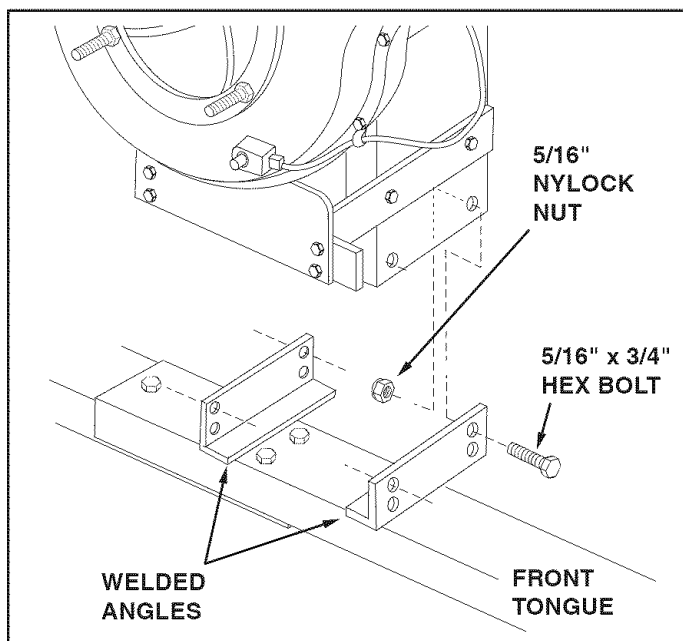


FIGURE 16

29. Remove the hex bolts and nylock nuts from the two holes in the impeller housing shown in figure 17. Assemble the hose hanger bracket to the impeller housing using the bolts and nylock nuts which you removed.

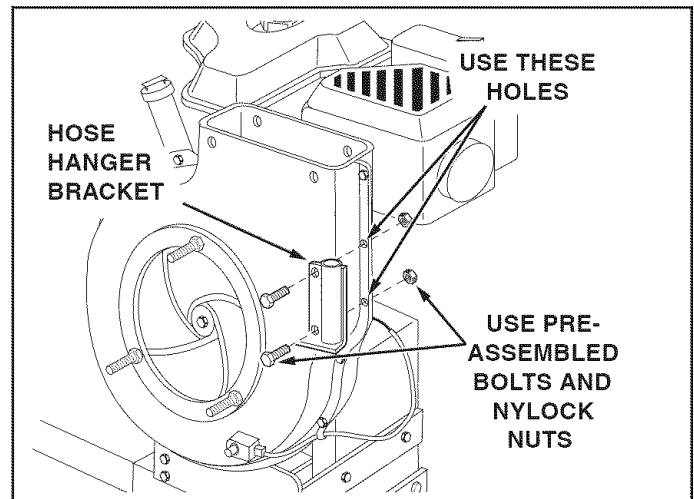


FIGURE 17

30. Assemble the elbow to the impeller housing using four 5/16" x 3/4" self tapping hex bolts and four nylon washers. Push while turning to help start the bolts into the unthreaded holes. **Tighten**. See figure 18.
31. To center the elbow with the opening in the hard top:
 - a. Push the vinyl boot back inside the opening.
 - b. Loosen by approximately 1/4 turn each, the four bolts that you assembled in figure 16.
 - c. Push against the elbow to center it with the sides of the opening.
 - d. **Retighten** the four bolts that you loosened.
32. Pull the vinyl boot onto the end of the elbow.

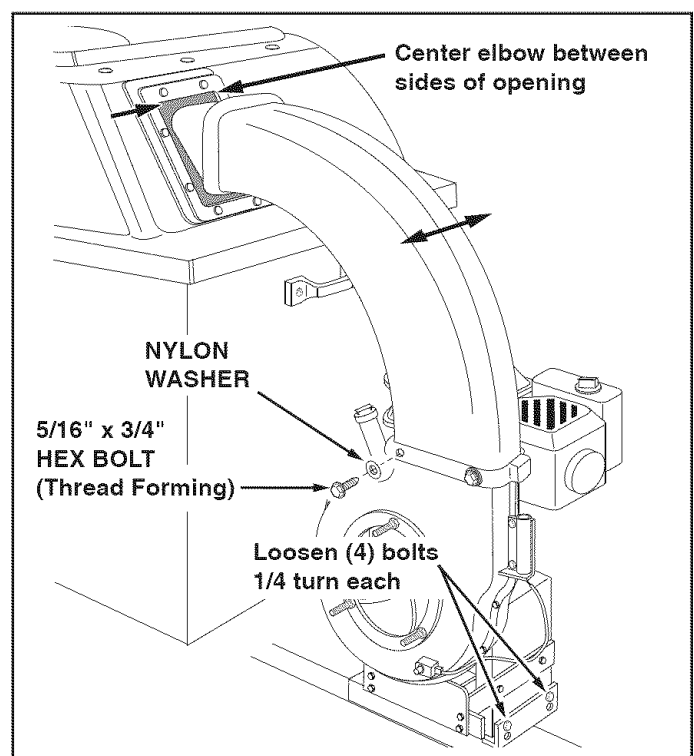


FIGURE 18

33. Assemble the hose adapter (nozzle) to the front of the impeller housing and secure with the three knobs. Make sure that the switch actuator bracket contacts the switch on the housing. See figure 19.

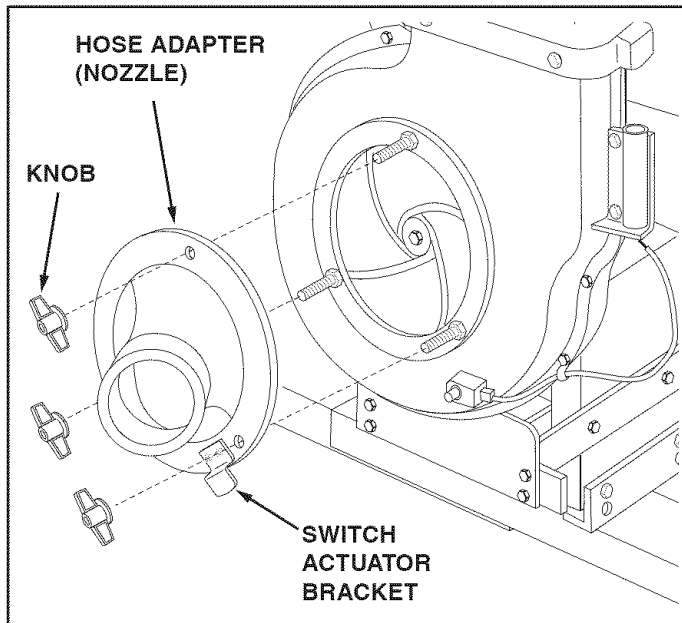


FIGURE 19

34. Place a hose clamp onto one end of hose. Push hose onto hose adapter (nozzle). Tighten hose clamp onto hose and hose adapter. **Do not** collapse hose adapter when tightening clamp. See figure 20.
35. Place the hose hanger rod assembly into the hose hanger bracket on the impeller housing assembly. See figure 20.
36. Loop the 25" tarp strap under the hose. Hook to the hose hanger rod assembly. See figure 20.

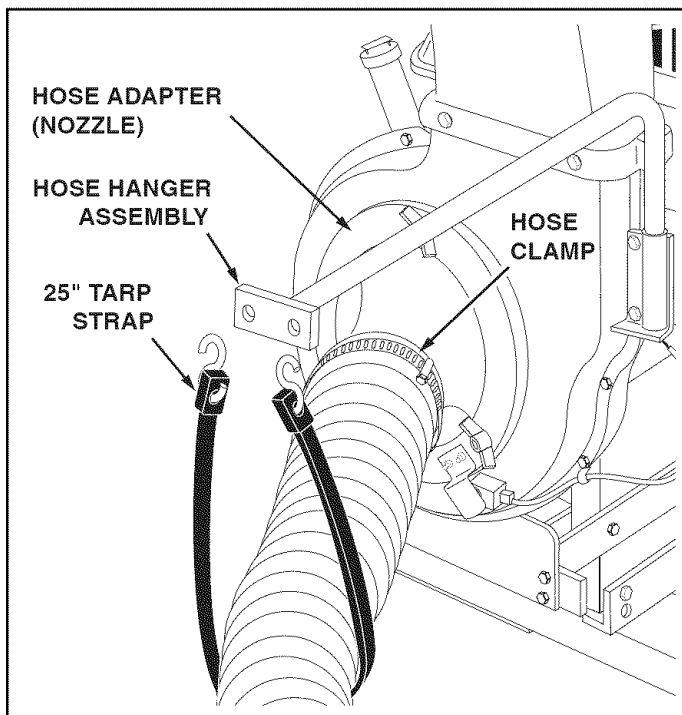


FIGURE 20

HINT: Tip the cart bed back for easier access in the next paragraph.

37. Attach the chipper chute assembly to the weld bolts on the back side of the impeller housing using three 5/16" flat washers and 5/16" Nylock nuts. **Tighten.** See figure 21.
38. Insert the tamper plug into the end of the chipper chute assembly.

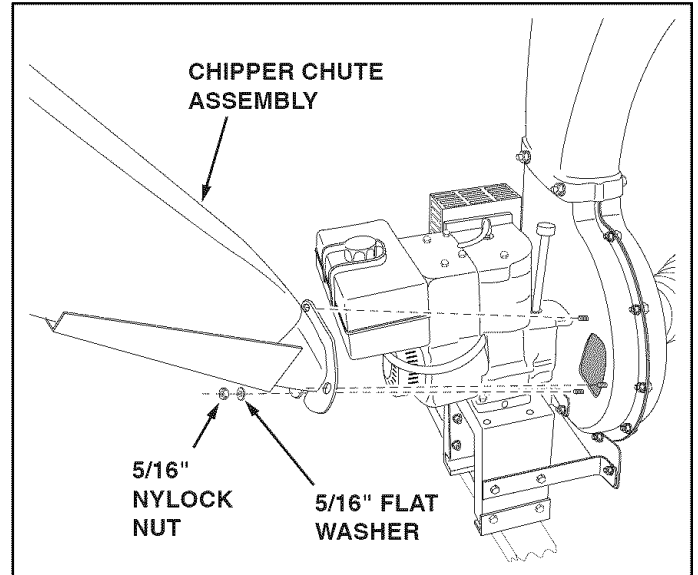


FIGURE 21

39. Assemble the hitch plate to the tractor hitch if:
- Your tractor has a square (straight) hitch frame, to help prevent binding.
 - Your tractor has a lightweight hitch frame that needs reinforcing for towing the Chip-N-Vac.
- Use a 1/2" x 1-1/4" hex bolt, a 7/16" flat washer and a 1/2" nylock nut. See figure 22.

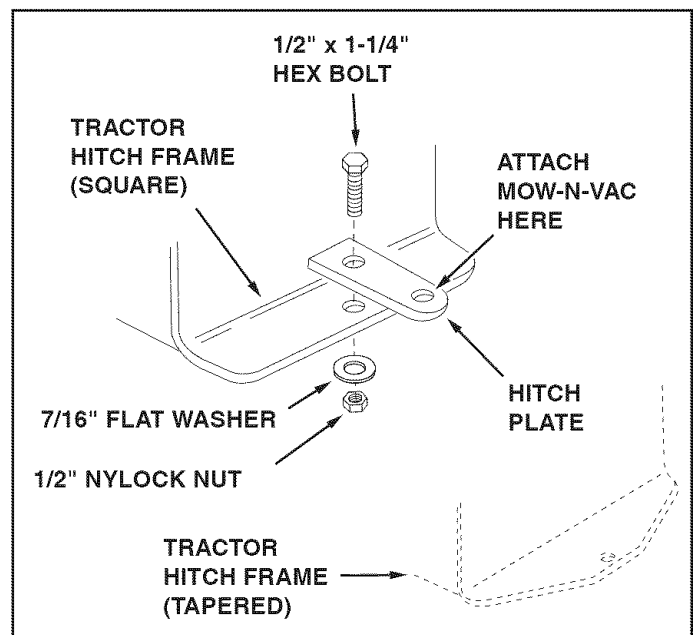


FIGURE 22

ASSEMBLING THE DECK ADAPTER (#62468) TO THE MOWER DECK



CAUTION: Mower deflector must be replaced when Mow-N-Vac deck adapter is removed. Do Not operate mower unless adapter or deflector is in place and properly mounted.

Contents of Hardware Pack for Deck Adapter:
See Figure 23.

Key	Qty.	Description
A	2	Hex Bolt, 5/16" x 1"
B	4	Hex Bolt, 1/4" x 3/4"
C	2	Carriage Bolt, 5/16" x 3/4"
D	3	Nylock Nut, 5/16"
E	4	Nylock Nut, 1/4"
F	3	Flat Steel Washer, 1/4" Std.
G	12	Flat Washer, 5/16" Std.
H	5	Nylon Washer
I	1	Mounting Strap
J	1	Angle Bracket
K	1	Mounting Bracket

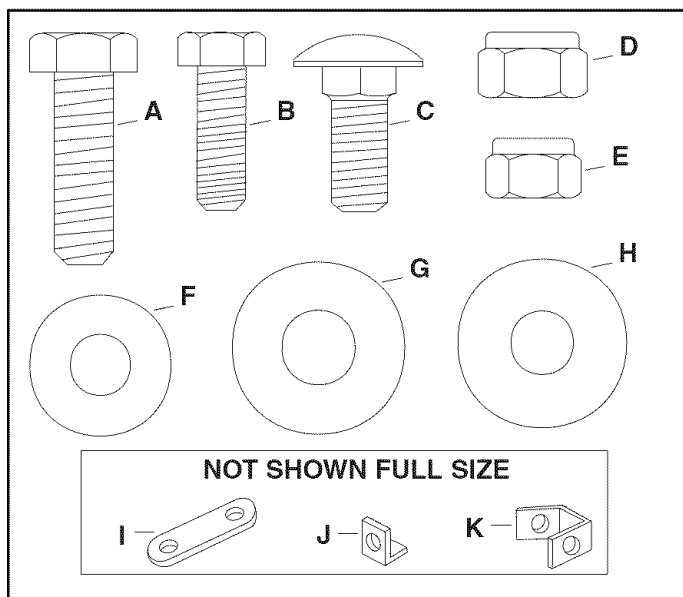


FIGURE 23- FULL SIZE

NOTE: Not all of the hardware will be used for any one particular fit up.

1. Remove the mower discharge deflector from your mower deck. Save the deflector and hardware for remounting.

FITTING TO SEARS TRACTORS

(and other tractors listed on white fold out sheets)
If you have a Murray brand tractor with a 38", 40" or 46" deck, go directly to instructions on page 16.

ATTENTION: The **yellow** fold out sheet contains the templates for Sears tractors.

2. Identify your mower deck (see fold outs) and cut out the correct discharge opening template for your mower deck size. If there is no template for your deck size you can make your own template by marking around a piece of cardboard held against the edge of the discharge opening.
3. Tape the template to the face of the adapter, locating template approximately 1/2" from front and 1/4" down from top of adapter. Keep as close to top as possible. See figure 24. Mark outline of template on face of adapter using white crayon, nail or scribe. Drill a starting hole inside the outline, then use a saber saw or key hole saw to cut out the opening. See figure 24.

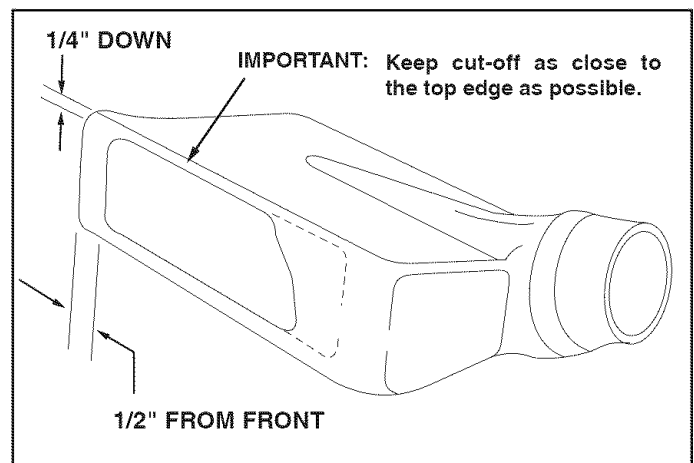


FIGURE 24

- Position the adapter over the deck opening, and check for fit of cutout as shown in figure 25. Trim cutout, if necessary, to allow tilting of adapter, keeping the fit as close as possible for best vacuum suction.

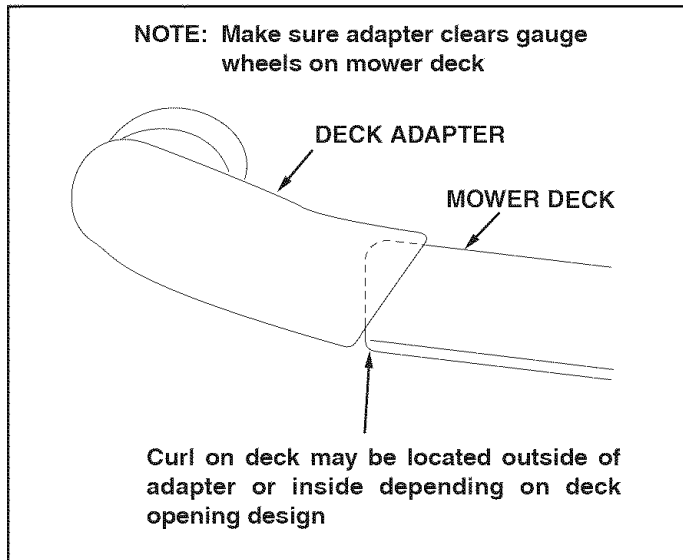


FIGURE 25

5. Holding the adapter bracket and the deck adapter together, position the deck adapter on the mower deck. Keeping the edge of deck adapter as close as possible to the offset in the adapter bracket, see if the slot in the adapter bracket can be aligned with one or two of the deflector holes in your mower deck's discharge opening. If the bracket can not be located correctly using existing holes, it will be necessary to drill one or two 5/16" diameter holes in the deck. See figure 26.

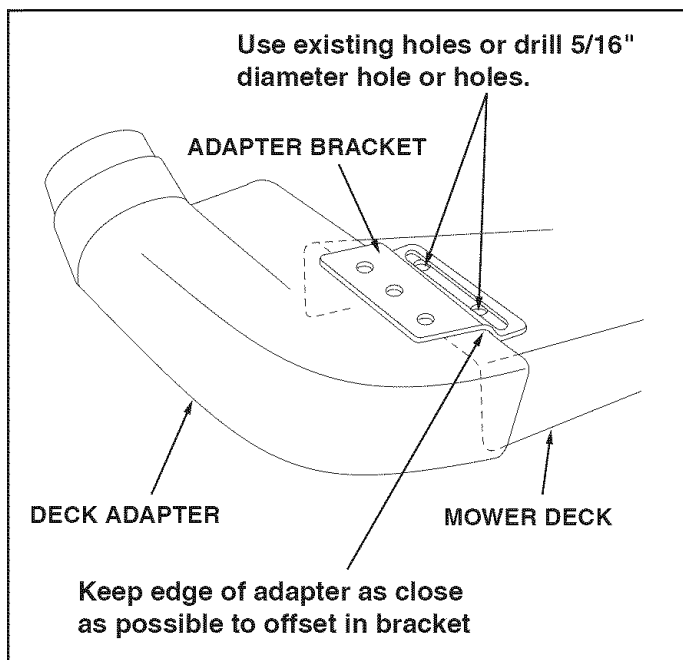


FIGURE 26

6. Assemble the adapter bracket to the deck using two 5/16" x 1" hex bolts, 5/16" flat washers and 5/16" nylock nuts. See figure 27.

NOTE: It may be necessary to use extra 5/16" flat washers to shim under the bracket next to the deck surface. Ten extra washers have been furnished as shims. See figure 27.

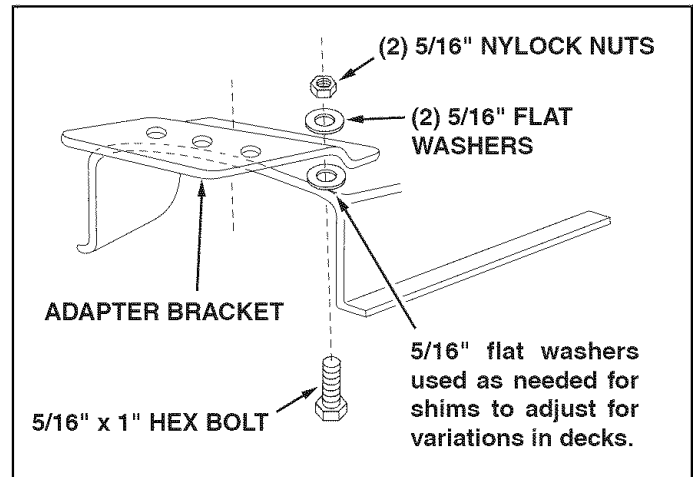


FIGURE 27

7. With deck adapter positioned correctly over the discharge opening, use the adapter bracket as a template and drill three 9/32" diameter holes in the top of the deck adapter. See figure 28.
8. Bolt deck adapter to bracket using three 1/4" x 3/4" bolts, nylon washers, 1/4" flat washers and 1/4" lock nuts. Nylon washers should be against the inside of the deck adapter. See figure 28.

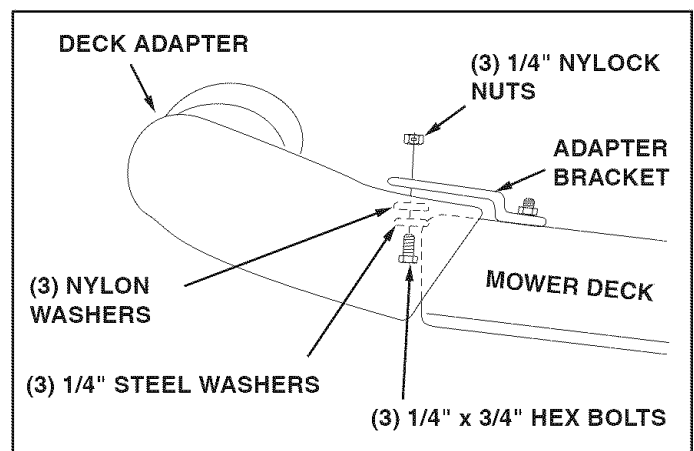


FIGURE 28

9. Assemble end of hose and a hose clamp over the round opening of deck adapter and tighten clamp. **GO DIRECTLY TO THE OPERATION INSTRUCTIONS ON PAGE 18.**

FOR 1990 AND NEWER MURRAY TRACTORS WITH A 38" OR 40" DECK

1. Cut out two templates and place on deck adapter as shown in figure 29. Tape smaller one on top and larger one on the side and bottom. After they are in place, carefully mark around the templates, then cut out adapter to obtain correct opening.
2. Bolt end of mounting strap to the 5/16" bolt on the mower deck. The other end of the strap will bolt to a hole in the deck adapter, which must be drilled. Position the adapter on the deck, then drill a 5/16" hole in the bottom of the adapter that will align with the hole in the strap. Fasten the adapter to the strap using a 1/4" x 3/4" hex bolt, 1/4" flat washer, nylon washer and 1/4" nylock nut. See figure 29.
3. Assemble end of hose and hose clamp over the round opening of deck adapter and tighten clamp.

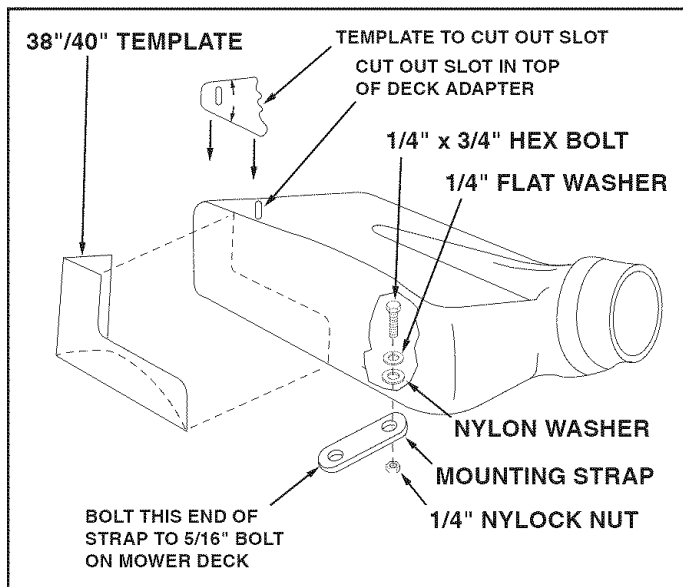


FIGURE 29

GO DIRECTLY TO THE OPERATION INSTRUCTIONS WHICH ARE LOCATED ON PAGE 18.

FOR 1990 AND NEWER MURRAY TRACTORS WITH A 46" DECK

1. Tape 46" template onto deck adapter. Mark and then cut out adapter .
2. Fasten the angle bracket and the mounting bracket to the mower deck as shown in figure 30. Use two 5/16" x 3/4" carriage bolts, 5/16" flat washers and 5/16" lock nuts. The bolt heads go on inside of mower deck.
3. Drill two 5/16" diameter holes in the deck adapter that will align with the holes in the angle bracket and the mounting bracket. Assemble the deck adapter to both brackets using two 1/4" x 3/4" hex bolts, 1/4" flat washers, nylon washers and 1/4" nylock nuts. See figure 30.
4. Assemble end of hose and hose clamp over the round opening of deck adapter and tighten clamp.

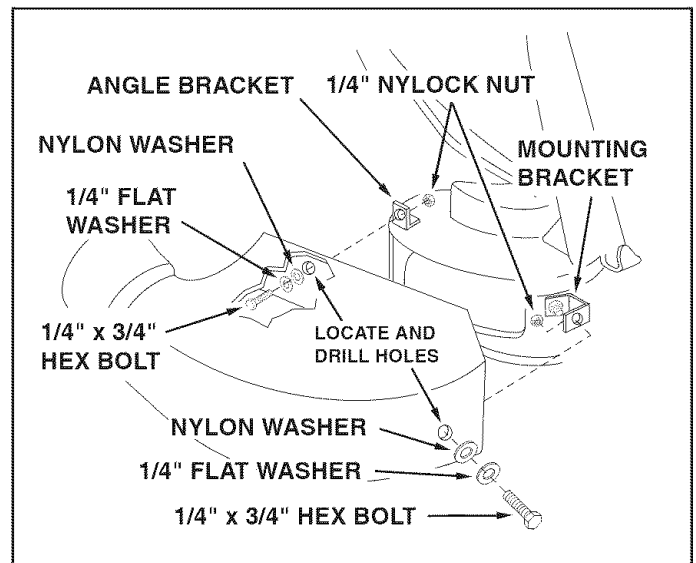


FIGURE 30

GO DIRECTLY TO THE OPERATION INSTRUCTIONS WHICH ARE LOCATED ON PAGE 18.

NOTES

OPERATION

BEFORE STARTING

1. Your Chip-N-Vac engine is shipped without oil or gasoline. Service the Chip-N-Vac engine with oil and gas as instructed in the separate engine manual.
2. Inspect the Chip-N-Vac to make sure all covers (rear door, vinyl boot, elbow, hose adapter, hose and deck adapter are properly attached.
3. Check tires for proper inflation (12 - 14 lbs).



WARNING: Never fill fuel tank indoors, or with the engine running, or while the engine is hot. Do not smoke while filling tank.

HOW TO STOP YOUR CHIP-N-VAC

1. To stop engine, move the throttle control lever to the OFF position.
2. Disconnect spark plug wire from plug to prevent accidental starting while equipment is unattended or is being worked on.



CAUTION: The muffler and adjacent areas are **hot!**

HOW TO START YOUR CHIP-N-VAC



WARNING: Never start or run the engine without all covers being properly attached to the blower housing and cart.

1. Check oil and gas in Chip-N-Vac engine.
2. Attach spark plug wire to spark plug.
3. Move choke lever on engine to CHOKE position. (A warm engine may not require choking.)
4. Move throttle control lever on engine to FAST position.
5. Grasp starter handle and pull rope out slowly until engine reaches start of compression cycle (rope will pull slightly harder at this point). Let the rope rewind slowly.
6. Pull rope with a rapid, continuous, full arm stroke. Keep a firm grip on starter handle. Let rope rewind slowly. Do not let starter handle snap back against starter.
7. Repeat instructions in two preceding paragraphs until engine fires. When engine starts, move choke control gradually to RUN position.

HOW TO USE YOUR CHIP-N-VAC



CAUTION: Vehicle braking and stability may be affected with the addition of an accessory or an attachment. Be aware of changing conditions on slopes.

1. Inspect the Chip-N-Vac to make sure all covers (rear door, vinyl boot, elbow, chipper chute with tamper plug, hose adapter (nozzle), hose and deck adapter are properly attached.
2. Check tires for proper inflation (12 - 14 lbs).
3. Check oil and gas in Chip-N-Vac engine.
4. Begin operation at low speed, adjusting forward speed to match grass height and/or moisture condition to prevent clogging.
5. Do not attempt to vacuum up any material other than vegetation found in a normal yard, such as light branches, leaves, twigs, etc.



WARNING: Should your Chip-N-Vac become clogged, shut off tractor and Chip-N-Vac engines. Before attempting to unclog, remove wire from spark plug to prevent accidental starting.

6. To empty cart, shut off tractor engine and set brake.
7. Shut off Chip-N-Vac engine.
8. Remove rear door from cart.
9. Release the latch holding cart down to the tongue by pulling up on the latch lever. See figure 31.
10. Using a rake or suitable tool, pull the grass clippings and/or leaves out of cart.



CAUTION: To avoid possible injury, be sure that no one is near the cart before releasing the latch.

11. After cart is emptied, secure cart to tongue with latch and reattach the rear door and the vinyl boot.

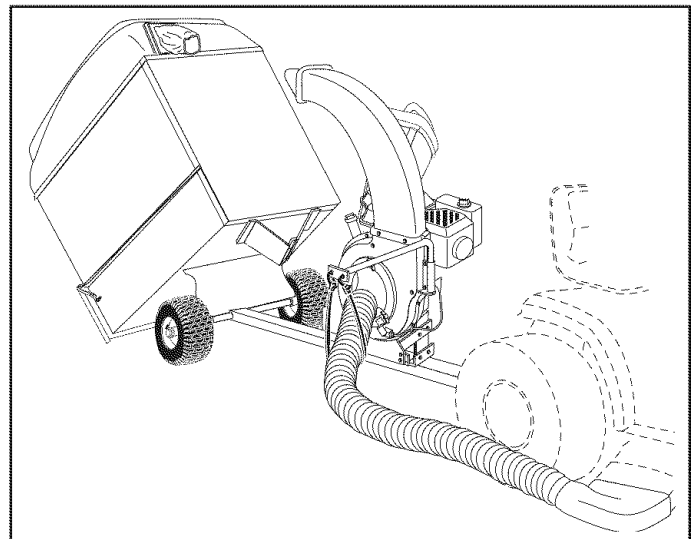


FIGURE 31

USING THE CHIPPER CHUTE

1. Material such as stalks or heavy branches up to 3" in diameter may be fed into the chipper chute as shown in figure 32.
2. Be sure to wear eye protection and gloves when feeding material into the chipper chute.
3. Use the tamper plug, not your hands, to force material down through the chipper chute.
4. For best performance, it is important to keep the chipper blades sharp. If the composition of the material being discharged changes (becomes stringy, etc.) or if the rate of discharge slows down considerably, it is likely that the chipper blades are dull and need to be sharpened or replaced. Refer to the Service and Adjustments section, on page 21.



WARNING: Do not attempt to feed any material larger than 3" in diameter into the chipper chute. Personal injury or damage to the machine could result.



DANGER: Keep hands out of chipper chute. Rotating blades in impeller housing can cause serious injury. Use the tamper plug to help push material down into the chute.

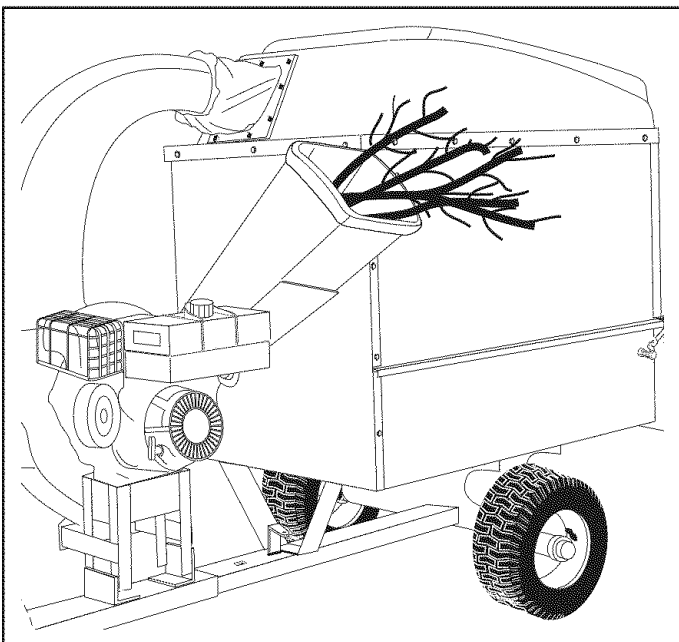


FIGURE 32

MAINTENANCE

CUSTOMER RESPONSIBILITIES

- Read and follow the maintenance schedule and the maintenance procedures listed in this section.

MAINTENANCE SCHEDULE Fill in dates as you complete regular service.	Service Dates											
	Before each use	After each use	Every season	Before storage								
Check for loose fasteners	X											
Check soft vinyl boot	X											
Check tire pressure	X											
Check engine oil level	X											
Lubricate			X									
Clean		X		X								

Maintain engine per instructions below and in engine manual.

BEFORE EACH USE

CHECK FOR LOOSE FASTENERS

- Make a thorough visual check of the Chip-N- Vac for any bolts and nuts which may have loosened. Retighten any loose bolts and nuts.

CHECK VINYL BOOT

- Check the soft vinyl boot (on front of hard top) for wear. Replace if worn or damaged.

CHECK TIRE PRESSURE

- Check tire pressure regularly. Recommended tire pressure is 12-14 Lbs.

CHECK ENGINE OIL LEVEL

- Check oil level before each use. Maintain engine oil as instructed in the separate engine manual.

LUBRICATION

- At the beginning of each season, lubricate the latch, latch pivot bolt, and the axle where the hitch tongue pivots, with a light machine oil.
- At least once a season, grease or oil the wheel bearings. Use automotive wheel bearing type grease or 20 weight oil.



WARNING: Always stop engine and disconnect spark plug wire before cleaning, lubricating or before performing any repairs or maintenance.

ENGINE MAINTENANCE

- Check **oil level** before each use. Maintain engine oil as instructed in the separate engine manual.
- Service **air cleaner** every 25 hours under normal conditions. Clean every few hours under extremely dusty conditions. Poor engine performance and flooding usually indicates that the air cleaner should be serviced. To service the air cleaner, refer to the separate engine manual.
- The **spark plug** should be cleaned and the gap reset once a season. Spark plug replacement is recommended at the start of each season. Check the engine manual for correct plug type and gap specifications.

CLEANING

- Make sure the cart, the side and front panels and top are cleaned after each use. Grass clippings and leaves left in the cart will mildew and cause damage if not cleaned out.
- Clean the engine** regularly with a cloth or brush. Keep the cooling fins on the engine housing clean to permit proper air circulation which is essential to engine performance and life. Be sure to remove all dirt and debris from muffler area.

SERVICE AND ADJUSTMENTS

SHARPENING OR REPLACING CHIPPER BLADES

1. Disconnect the spark plug wire and move wire away from the spark plug.
2. Remove the access plate by removing two hex lock nuts. See figure 33.
3. Locate one of the chipper blades in the access plate opening by rotating the impeller assembly by hand. Remove the blade using a 3/16" allen wrench on the outside of the blade and a 1/2" wrench on the impeller assembly, inside the housing.
4. Remove the other blade in the same manner.
5. Replace or sharpen blades. If sharpening, make certain to remove an equal amount from each blade. Reassemble in reverse order.

NOTE: Make certain the blades are reassembled with the sharp edge facing upward, as viewed from the access plate opening.

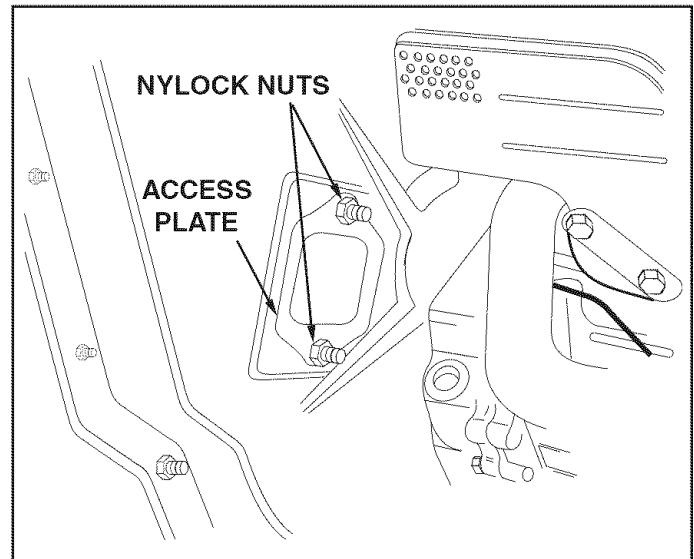


FIGURE 33

STORAGE

1. Clean the engine and the entire unit thoroughly.
2. Refer to engine manual for correct engine storage instructions.
3. If storing in an unventilated or metal storage shed, coat metal parts with light oil or silicone to prevent rust.
4. Store unit in a clean, dry area.

TROUBLESHOOTING

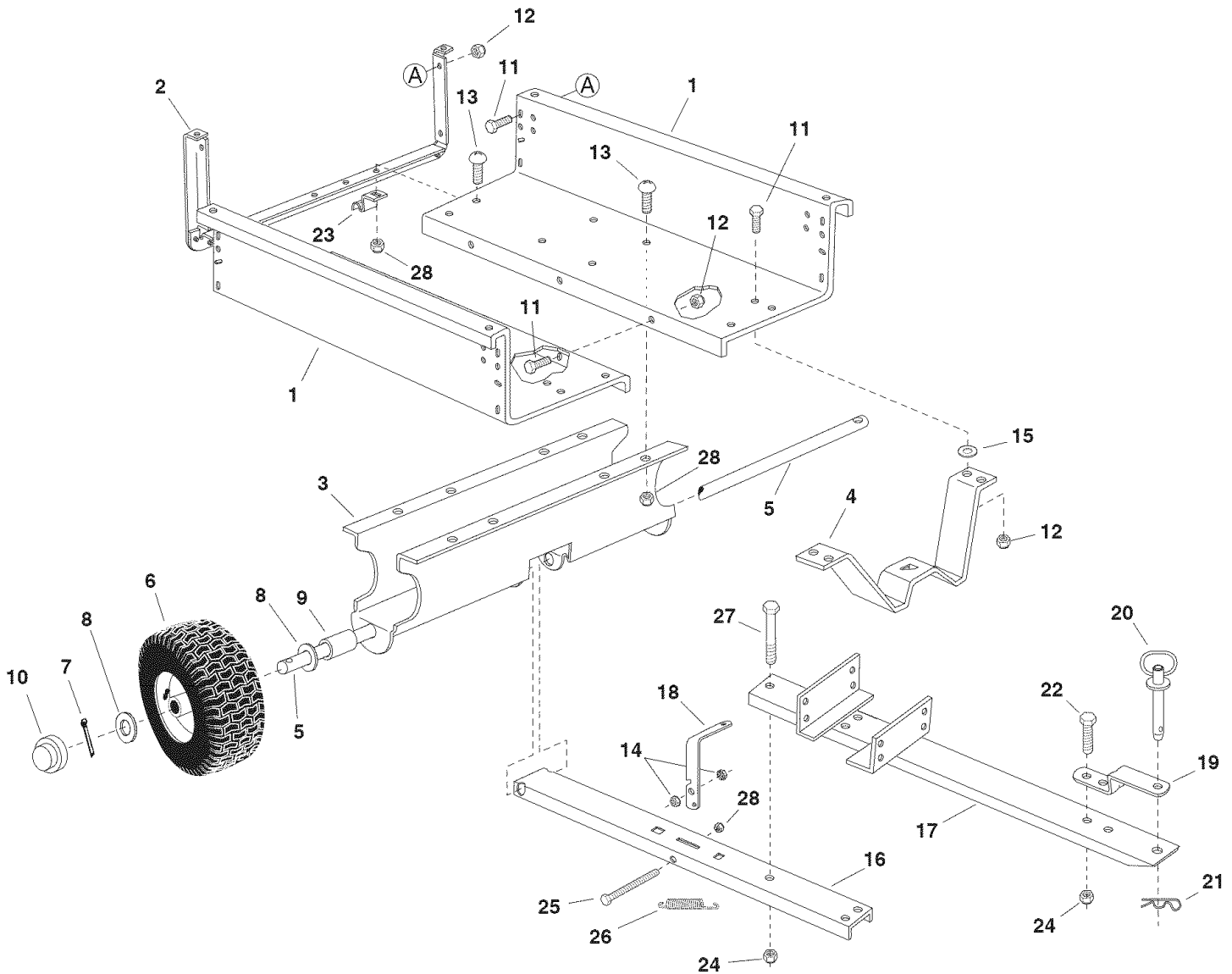
PROBLEM	POSSIBLE CAUSE(S)	CORRECTIVE ACTION
Engine fails to start	<ol style="list-style-type: none"> 1. Spark plug wire disconnected. 2. Safety switch not contacted. 3. Fuel tank empty, or stale fuel. 4. Fuel shut-off valve closed (if so equipped). 5. Faulty spark plug. 	<ol style="list-style-type: none"> 1. Connect wire to spark plug. 2. Correctly install hose adapter nozzle. 3. Fill tank with clean, fresh fuel. 4. Open fuel shut-off valve. 5. Clean, adjust gap or replace.
Loss of power; operation erratic.	<ol style="list-style-type: none"> 1. Spark plug wire loose 2. Unit running on CHOKE. 3. Blocked fuel line or stale fuel. 4. Water or dirt in fuel system. 5. Carburetor out of adjustment. 6. Dirty air cleaner. 	<ol style="list-style-type: none"> 1. Connect and tighten spark plug wire. 2. Move choke lever to OFF position. 3. Clean fuel line; fill tank with clean fresh gasoline. 4. Disconnect fuel line at carburetor to drain fuel tank. Refill with fresh fuel. 5. Adjust carburetor.* 6. Service air cleaner.*
Engine overheats	<ol style="list-style-type: none"> 1. Carburetor not adjusted properly. 2. Engine oil level low. 	<ol style="list-style-type: none"> 1. Adjust carburetor.* 2. Fill crankcase with proper oil.
Too much vibration	Loose parts or damaged impeller.	Stop engine immediately and disconnect spark plug wire. Tighten all bolts and nuts. Make all necessary repairs. If vibration continues, have unit serviced by an authorized service dealer.
Unit does not discharge	<ol style="list-style-type: none"> 1. Discharge chute (elbow) clogged. 2. Foreign object lodged in impeller. 3. Chip-N-Vac cart is full. 	<ol style="list-style-type: none"> 1. Stop engine immediately and disconnect spark plug wire. Clean inside of housing and discharge chute (elbow). 2. Stop engine immediately and disconnect spark plug wire. Remove lodged object. 3. Empty cart.
Rate of discharge when chipping slows considerably, or composition of discharged material changes.	Chipper blades dull.	Sharpen or replace chipper blades.

*Refer to the engine manual packed with your unit.

NOTE: For repairs beyond the minor adjustments listed above, please contact your nearest authorized service dealer.

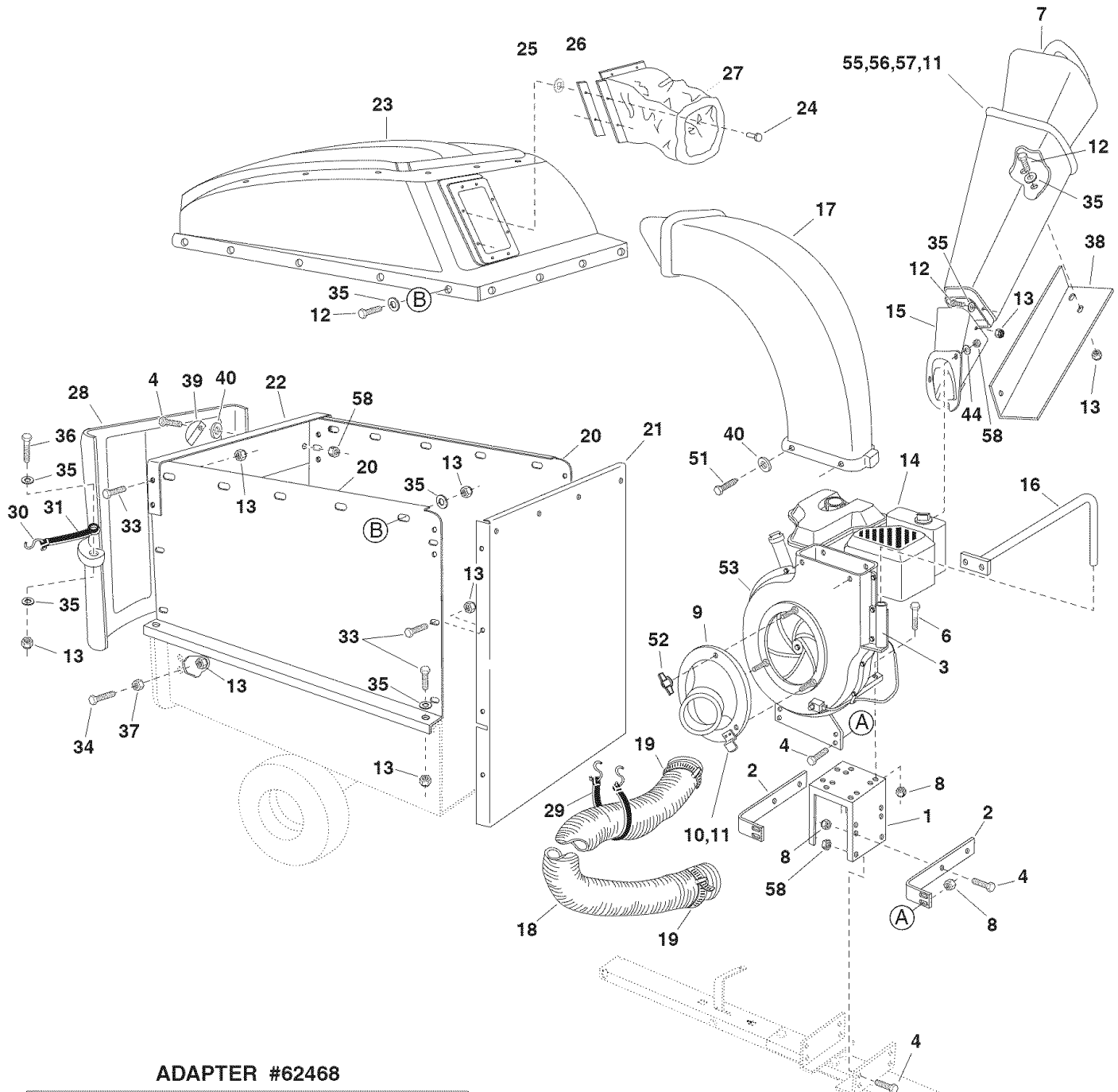
PARTS

REPAIR PARTS FOR MODEL 486.24517 CART BODY

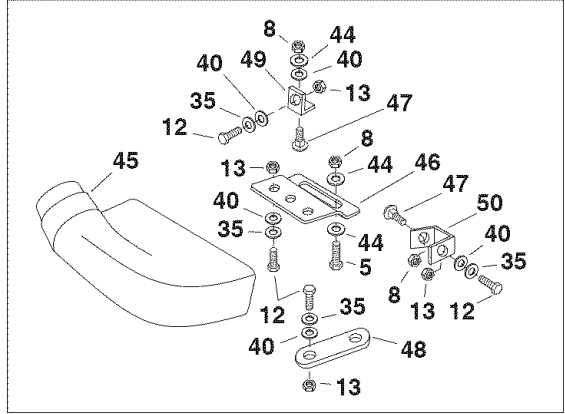


REF. NO.	PART NO.	QTY.	DESCRIPTION	REF. NO.	PART NO.	QTY.	DESCRIPTION
1	23985	2	Cart Body	15	43088	2	Washer, Flat 1/4"
2	62458	1	Tailgate Reinforcement Bracket	16	63917	1	Tongue Weldment Ass'y. (Rear)
3	23507	1	Wheel Support	17	63155	1	Tongue Weldment Ass'y. (Front)
4	24497	1	Latch Stand Bracket	18	24614	1	Latch Lock Lever
5	24897	1	Axle, Wheel 1" Dia.	19	23475	1	Hitch Bracket
6	46272	2	Wheel w/Tire, 15 x 6.00	20	43884	1	Hitch Pin
7	43093	2	Cotter Pin, 1/8" Dia. x 1-1/2"	21	43343	1	Pin, Hair Cotter 1/8"
8	43601	4	Washer, Flat 1"	22	43087	2	Hex Bolt, 3/8-16 x 1-1/4"
9	44678	2	Spacer Tube, 1-1/4" x 2" Lg.	23	23838	2	Door Support
10	43014	2	Hub Cap	24	HA21362	5	Nylock Nut, 3/8-16
11	43866	9	Hex Bolt, 1/4-20 x 5/8"	25	47407	1	Hex Bolt, 5/16-18 x 3-3/4"
12	47189	9	Nylock Nut, 1/4-20	26	47408	1	Spring, Extension
13	43814	12	Truss Hd. Bolt, 5/16-18 x 3/4"	27	43574	3	Hex Bolt, 3/8-16 x 3"
14	46980	2	Hex Nut, 5/16-18 (SEMS)	28	47810	3	Nylock Nut, 5/16-18

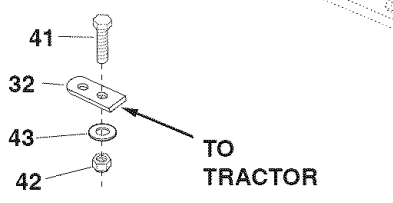
REPAIR PARTS FOR MODEL 486.24517 CHIP-N-VAC



ADAPTER #62468



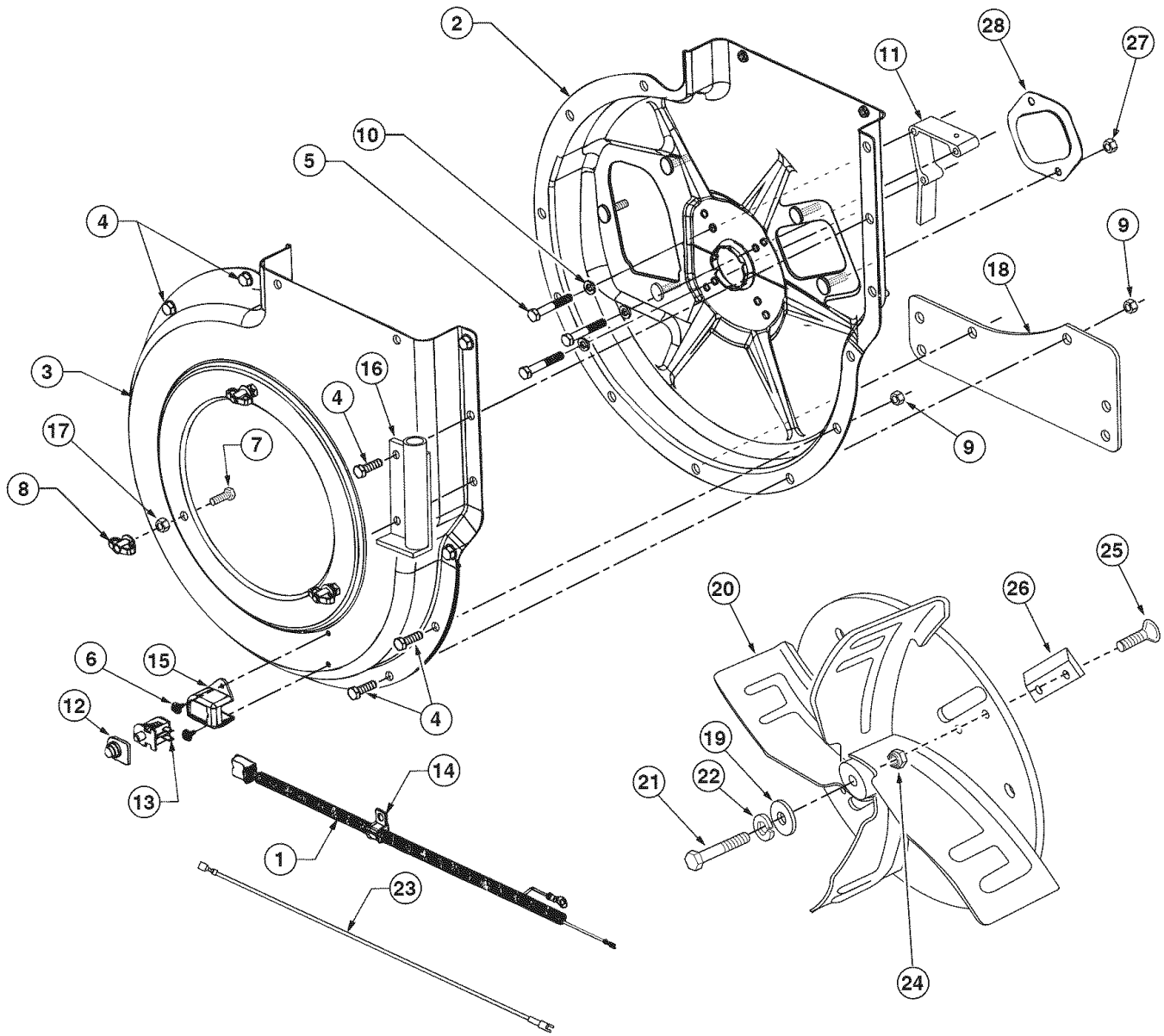
54



REPAIR PARTS FOR MODEL 486.24517 CHIP-N-VAC

REF. NO.	PART NO.	QTY.	DESCRIPTION	REF. NO.	PART NO.	QTY.	DESCRIPTION
1	24080	1	Engine Base	31	44850	2	Strap, Tarp (Less Hooks)
2	24078	2	Brace, Housing	32	23540	1	Hitch Plate
3	63226	1	Hose Hanger Bracket Ass'y. (Ref. item #16 on page 22.)	33	43866	20	Bolt, Hex 1/4-20 x 5/8"
4	43182	14	Bolt, Hex 5/16-18 x 3/4"	34	43661	2	Bolt, Hex 1/4-20 x 1"
5	43063	2	Bolt, Hex 5/16-18 x 1"	35	43088	44	Washer, 1/4" STD
6	43085	4	Bolt, Hex 5/16-18 x 1-1/2"	36	1509-90	2	Bolt, Hex 1/4-20 x 1-1/4"
7	731-1617	1	Tamper, Plug	37	43178	2	Nut, Hex 1/4-20
8	43064	15	Nut, Hex Lock 5/16-18	38	24098	1	Bracket, Chute Reinforcement
9	63375	1	Assembly, Hose Adapter (Nozzle) (Includes items 10 and 11))	39	23789	2	Door Latch
10	781-0635	1	Bracket, Switch (Actuator)	40	1543-69	9	Washer, Nylon 21/64"
11	728-3001	3	Rivet, Pop 5/32"	41	43351	1	Bolt, Hex 1/2-13 x 1-1/4"
12	43012	22	Bolt, Hex 1/4-20 x 3/4"	42	43262	1	Nut, Hex Lock 1/2-13
13	47189	46	Nut, Hex Lock 1/4-20 Thd.	43	43352	1	Washer, Flat 7/16"
14	1213120280E1	1	Engine, Briggs 6.5 HP	44	43081	15	Washer, 5/16" STD
15	681-0068	1	Chute Assembly	45	43830	1	Adapter, Deck
16	63227	1	Hose Hanger Rod Ass'y.	46	23560	1	Bracket, Deck Adapter
17	46420	1	Elbow	47	43080	2	Bolt, Carr. 5/16" x 3/4"
18	43792	1	Hose (6" x 84")	48	23825	1	Mounting Strap
19	43793	2	Hose Clamp 6"	49	23826	1	Angle Bracket
20	24678	2	Side Panel Cart Extension	50	23827	1	Mounting Bracket
21	24679	1	Front Panel Cart Extension	51	47630	4	Screw, Self Tap 5/16-18 x 3/4"
22	23836	1	Cross Brace	52	712-0421	3	Knob (See also Item #8, Page 24)
23	64244	1	Hard Top Assembly (Includes 24,25,26,27)	53		1	Impeller Housing Assembly (See page 24)
24	43882	8	Rivet, 3/16"	54	62468	1	Deck Adapter Kit (Includes parts in box on page 22)
25	43910	8	Washer, Flat 3/16"	55	63376	1	Assembly, Chute, Chipper (Upper)
26	24798	4	Boot Mounting Strap	56	735-0249	1	Flap, Chute (Included in item 55)
27	48133	1	Vinyl Boot (Hardtop)	57	781-0633	1	Strap, Flap (Included in item 55)
28	44790	1	Poly Rear Door	58	47810	9	Nut, Nylock 5/16-18
29	43790	1	Strap, Tarp 25"		40316	1	Owner's Manual
30	44849	2	"S" Hook, #32				

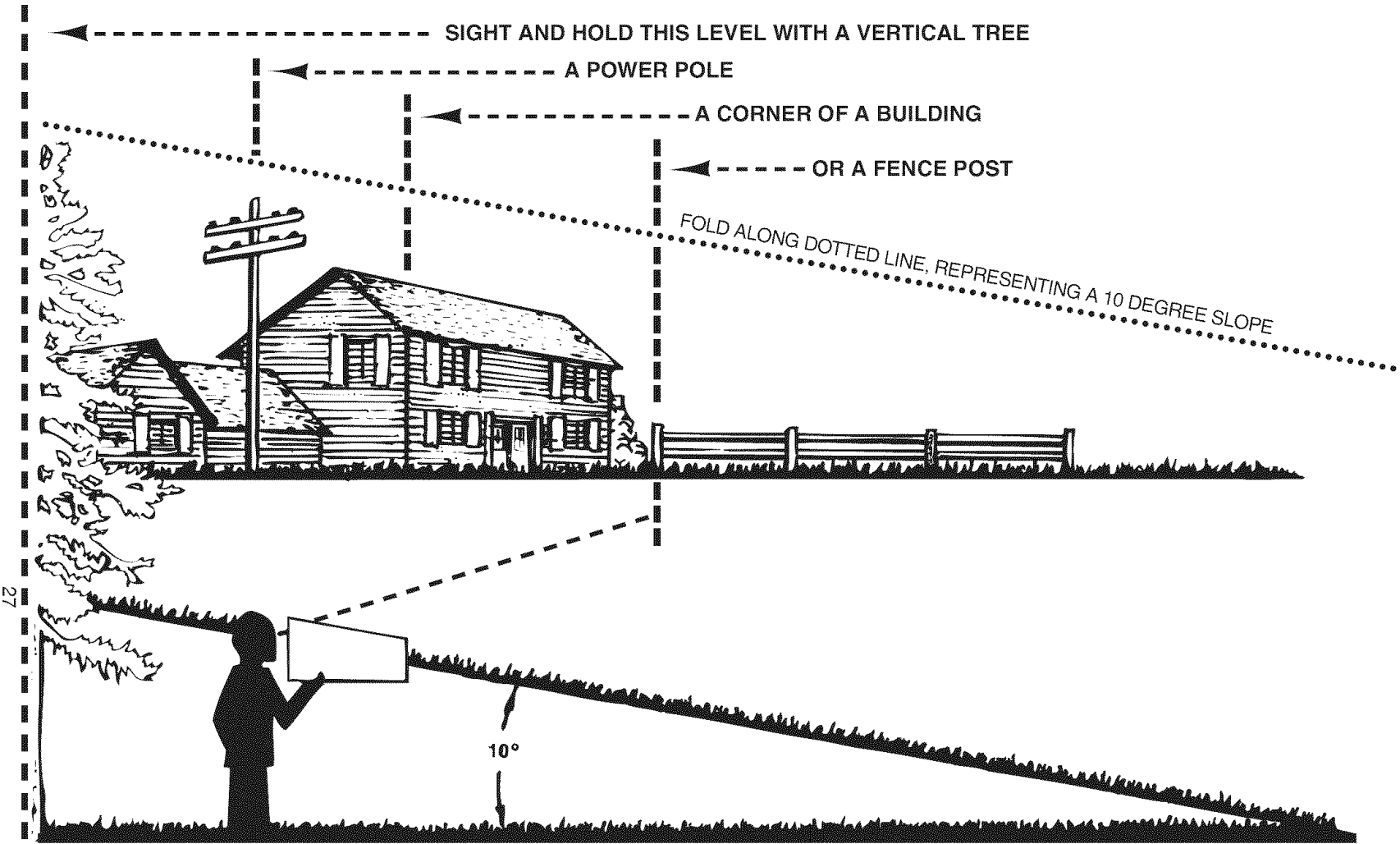
REPAIR PARTS FOR MODEL 486.24517 CHIP-N-VAC IMPELLER HOUSING ASSEMBLY



REF. NO.	PART NO.	QTY.	DESCRIPTION	REF. NO.	PART NO.	QTY.	DESCRIPTION
1	629-0241A	1	Harness, Wire	15	731-1613	1	Cover, Switch
2	63993	1	Housing Ass'y. Inner	16	63226	1	Hose Hanger Bracket. Ass'y.
3	24633	1	Housing Ass'y. Outer	17	712-3046	3	Nut, Hex Jam 5/16-18 Thd.
4	43182	12	Bolt, Hex 5/16-18 x 3/4"	18	24606	1	Spacer, Housing
5	710-0772	4	Bolt, Hex 5/16-24 x 2"	19	736-0247	1	Flat Washer, 13/32" x 1-1/4"
6	710-1268	2	Screw, Self Tap #10-16 x 3/8"	20	63924	1	Impeller Assembly
7	43063	3	Bolt, Hex 5/16-18 x 1"	21	710-1273	1	Bolt, Hex 3/8-24 x 2-3/4"
8	712-0421	3	Knob	22	43003	1	Lockwasher, 3/8"
9	47810	12	Nut, Hex Nylock 5/16-18	23	629-0923	1	Harness Adapter
10	43086	4	Washer, Lock 5/16" Spring Type	24	44738	4	Nut, Hex Lock 5/16-24 "Unitork"
11	719-0330A	1	Adapter, Mounting	25	710-1054	4	Screw, Flat Hd. 5/16-24 x 1"
12	725-1700	1	Cover, Switch	26	742-0544	2	Blade, Chipper
13	725-3166	1	Snap Mount Switch	27	47810	2	Nut, Nylock 5/16-18
14	726-0272	1	Clamp	28	781-0627	1	Cover, Chipper

SLOPE GUIDE

(Keep this sheet in a safe place for future reference.)
Use this guide to determine if a slope is safe for the operation of your tractor and Chip-N-Vac.
Refer also to the instructions in your vehicle owners manual.



CAUTION: Do not operate your tractor and Chip-N-Vac on a slope in excess of 10 degrees. Be sure of your tractor's towing and braking capabilities before operating on a slope. Avoid any sudden turns or maneuvers while on a slope.

Get it fixed, at your home or ours!

Your Home

For repair – **in your home** – of **all** major brand appliances, lawn and garden equipment, or heating and cooling systems, **no matter who made it, no matter who sold it!**

For the replacement parts, accessories and owner's manuals that you need to do-it-yourself.

For Sears professional installation of home appliances and items like garage door openers and water heaters.

1-800-4-MY-HOME® (1-800-469-4663)

Call anytime, day or night (U.S.A. and Canada)

www.sears.com www.sears.ca

Our Home

For repair of carry-in items like vacuums, lawn equipment, and electronics, call or go on-line for the location of your nearest

Sears Parts & Repair Center.

1-800-488-1222

Call anytime, day or night (U.S.A. only)

www.sears.com

To purchase a protection agreement (U.S.A.) or maintenance agreement (Canada) on a product serviced by Sears:

1-800-827-6655 (U.S.A.)

1-800-361-6665 (Canada)

Para pedir servicio de reparación a domicilio, y para ordenar piezas:

1-888-SU-HOGAR®

(1-888-784-6427)

Au Canada pour service en français:

1-800-LE-FOYER^{MC}

(1-800-533-6937)

www.sears.ca



Free Manuals Download Website

<http://myh66.com>

<http://usermanuals.us>

<http://www.somanuals.com>

<http://www.4manuals.cc>

<http://www.manual-lib.com>

<http://www.404manual.com>

<http://www.luxmanual.com>

<http://aubethermostatmanual.com>

Golf course search by state

<http://golfingnear.com>

Email search by domain

<http://emailbydomain.com>

Auto manuals search

<http://auto.somanuals.com>

TV manuals search

<http://tv.somanuals.com>