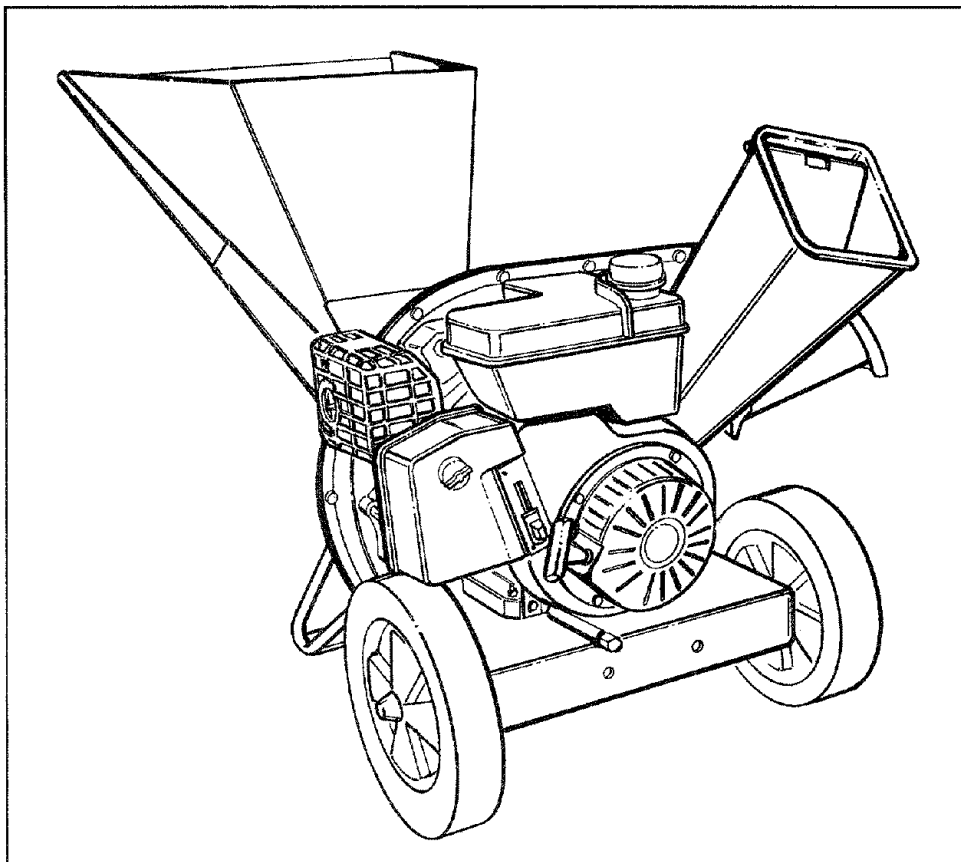


**SEARS  
OWNER'S  
MANUAL**

**MODEL NO.  
247.795850**



**CRAFTSMAN®**

**5 HORSEPOWER  
3 CUTTING STAGE  
MULCHING AND BAGGING  
CHIPPER-SHREDDER**

**Caution:  
Read and Follow  
All Safety Rules  
and Instructions  
Before Operating  
This Equipment**


**Assembly  
Operation  
Customer Responsibilities  
Service and Adjustment  
Repair Parts**

**SEARS, ROEBUCK AND CO., Hoffman Estates, IL 60179 U.S.A.**

# IMPORTANT

## SAFE OPERATION PRACTICES



THIS SYMBOL POINTS OUT IMPORTANT SAFETY INSTRUCTIONS WHICH, IF NOT FOLLOWED, COULD ENDANGER THE PERSONAL SAFETY AND/OR PROPERTY OF YOURSELF AND OTHERS. READ AND FOLLOW ALL INSTRUCTIONS IN THIS MANUAL BEFORE ATTEMPTING TO OPERATE YOUR CHIPPER-SHREDDER. FAILURE TO COMPLY WITH THESE INSTRUCTIONS MAY RESULT IN PERSONAL INJURY. WHEN YOU SEE THIS SYMBOL:  **HEED ITS WARNING.**



### DANGER:

Your chipper-shredder was built to be operated according to the rules for safe operation in this manual. As with any type of power equipment, carelessness or error on the part of the operator can result in serious injury. This chipper-shredder is capable of amputating fingers and hands and throwing objects. Failure to observe the following safety instructions could result in serious injury or death.



### I. GENERAL OPERATION

1. Read this owner's guide carefully in its entirety before attempting to assemble this machine. Read, understand, and follow all instructions on the machine and in the manual(s) before operation. Be completely familiar with the controls and the proper use of the machine before operating it. Keep this manual in a safe place for future and regular reference and for ordering replacement parts.
2. Your chipper-shredder is a powerful tool, not a plaything. Therefore, exercise extreme caution at all times. Your unit has been designed to perform two jobs; to chip and shred vegetation found in a normal yard. Do not use it for any other purpose.
3. Never allow children under age 16 to operate the unit. Children 16 years and older should only operate the unit under close parental supervision. Only responsible individuals who are familiar with these rules of safe operation should be allowed to use your unit.
4. Keep the area of operation clear of all persons, particularly small children and pets. Stop the engine when they are in the vicinity of the unit. Keep work area clean and clear of branches or obstacles which could cause you to stumble or fall.
5. When feeding material into this equipment, be extremely careful that pieces of metal, rocks, bottles, cans or other foreign objects are not included. Personal injury or damage to the machine could result.
6. Always wear safety glasses or safety goggles, during operation and while performing an adjustment or repair, to protect eyes from foreign objects that may be thrown from the machine.
7. Wear sturdy, rough-soled work shoes and close fitting slacks and shirt. Shirt and slacks that cover the arms and legs and steel-toed shoes are recommended. Do not wear loose fitting clothes or jewelry and secure hair so it is above shoulder length. They can be caught in moving parts. Never operate a unit in bare feet, sandals or sneakers. Wear gloves when feeding material in the chipper chute or shredder hopper.
8. Never place your hands, feet, or any part of your body into the shredder hopper, chipper chute, discharge opening, or near any moving part while the engine is running. Keep clear of the discharge opening at all times. If it becomes necessary to push material into the chipper chute or shredder hopper, use a small diameter stick, **NOT YOUR HANDS.**
9. If it is necessary for any reason to unplug the feed intake or discharge openings or to inspect or repair any part of the machine where a moving part can come in contact with your body or clothing, stop the machine, allow it to cool, disconnect the spark plug wire from the spark plug and move it away from the spark plug before attempting to unplug, inspect or repair.
10. Do not operate unit while under the influence of alcohol or drugs.
11. The machine should only be operated on a level surface. Never operate your unit on a slippery, wet, muddy or icy surface. Keep your work area clean and clear of branches or obstacles which could cause you to stumble and fall. Do not overreach. Maintaining proper footing and balance is essential to preventing accidents.
12. Do not allow an accumulation of processed material to build-up in the discharge area as this will prevent proper discharge and can result in kick-back from the chipper chute.
13. Keep your face and body back from chipper chute to avoid accidental bounce back of any material.
14. Do not transport machine while engine is running.
15. If the cutting mechanism strikes a foreign object or if your machine should start making an unusual noise or vibration, immediately stop the engine and allow the machine to come to a complete stop. Disconnect the spark plug wire and move it away from the spark plug. Take the following steps.
  - Inspect for damage.
  - Repair or replace any damaged parts.
  - Check for any loose parts and tighten to assure continued safe operation.
16. Never attempt to attach or remove catcher bag when engine is running. Shut the engine off and wait for the impeller to come to a complete stop. The impeller continues to rotate for a few seconds after the engine is shut off. Never place any part of the body in the impeller area until you are sure the impeller has stopped rotating.
17. Muffler and engine become hot and can cause a burn. Do not touch.
18. Do not allow leaves or other debris to build-up on engine's muffler. The debris could ignite and cause a fire.
19. Do not attempt to shred or chip material larger than specified in this manual. Personal injury or damage to the machine could result.
20. Do not operate engine if air cleaner or cover over carburetor air-intake is removed, except for adjustment. Removal of such parts could create a fire hazard.
21. Only use accessories approved for this machine by the manufacturer. Read, understand, and follow all instructions provided with the approved accessory.
22. If situations occur which are not covered by this manual, use care and good judgment. Contact your dealer for assistance.
23. Keep discharge chute deflector, chipper chute door, and all other guards and safety devices in place and operating properly.
24. Only operate unit in good daylight. Do not operate unit at night or in dark areas where your vision may be impaired.



### II. CHILDREN

Tragic accidents can occur if the operator is not alert to the presence of small children. Children are often attracted to the chipper-shredder and the chipping and shredding activity. Never assume that children will remain where you last saw them.

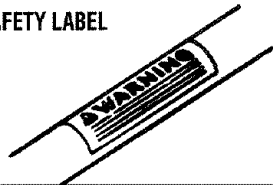
1. Keep children out of the work area and under the watchful eye of a responsible adult other than the operator.
2. Be alert and turn the unit off if a child enters the area.
3. Never allow children under the age of 16 to operate the chipper-shredder.

### III. SERVICE

1. Use extreme care in handling gasoline and other fuels. They are extremely flammable and the vapors are explosive.
  - a. Store fuel and oil in approved containers, away from heat and open flame, and out of the reach of children. Check and add fuel before starting the engine. Never remove gas cap or add fuel while the engine is running. Allow engine to cool at least two minutes before refueling.
  - b. Replace gasoline cap securely and wipe off any spilled gasoline before starting the engine as it may cause a fire or explosion.
  - c. Extinguish all cigarettes, cigars, pipes and other sources of ignition.
  - d. Never refuel unit indoors because flammable vapors will accumulate in the area.
  - e. Never store the machine or fuel container inside where there is an open flame or spark such as a gas hot water heater, space heater, clothes dryer or furnace.
2. Never run your machine in an enclosed area as the exhaust from the engine contains carbon monoxide, which is an odorless, tasteless and deadly poisonous gas.
3. To reduce fire hazard, keep engine and muffler free of leaves, grass, and other debris build-up. Clean up fuel and oil spillage. Allow unit to cool at least 5 minutes before storing.
4. Before cleaning, repairing, or inspecting, make certain the impeller and all moving parts have stopped. Disconnect the spark plug wire and keep wire away from spark plug to prevent accidental starting. Do not use flammable solutions to clean air filter.
5. Check the blade and engine mounting screws at frequent intervals for proper tightness. Also visually inspect blades for wear and/or damage (e.g., bent, cracked). Replace with blades which meet original equipment specifications.
6. Keep all nuts, bolts, and screws tight to be sure the equipment is in safe working condition.
7. Never tamper with safety devices. Check their proper operation regularly.
8. After striking a foreign object, immediately stop the engine, disconnect the spark plug wire from the spark plug, and thoroughly inspect the unit for any damage. Repair damage before starting and operating unit.
9. Do not alter or tamper with the engine's governor setting. The governor controls the maximum safe operating speed of the engine. Over-speeding the engine is dangerous and will cause damage to the engine and to other moving parts of the machine.



SAFETY LABEL



#### **WARNING — YOUR RESPONSIBILITY**

Restrict the use of this power machine to persons who read, understand and follow the warnings and instructions in this manual and on the machine.

**CONGRATULATIONS** on your purchase of a Sears Craftsman Chipper-Shredder. It has been designed, engineered and manufactured to give you the best possible dependability and performance.

Should you experience any problem you cannot easily remedy, please contact your nearest Sears Service Center/Department in the United States. We have competent, well-trained technicians and the proper tools to service or repair this unit.

Please read and retain this manual. The instructions will enable you to assemble and maintain your chipper-shredder properly. Always observe the "SAFETY RULES."

MODEL NUMBER <u>247.795850</u>
SERIAL NUMBER _____
DATE OF PURCHASE _____
THE MODEL AND SERIAL NUMBERS WILL BE FOUND ON A LABEL ATTACHED TO THE FRAME OF THE CHIPPER-SHREDDER.
YOU SHOULD RECORD BOTH SERIAL NUMBER AND DATE OF PURCHASE AND KEEP IN A SAFE PLACE FOR FUTURE REFERENCE.

### CUSTOMER RESPONSIBILITIES

- Read and observe the safety rules.
- Follow a regular schedule in maintaining, caring for and using your chipper-shredder.
- Follow the instructions under "Customer Responsibilities" and "Storage" sections of this Owner's Manual.

### PRODUCT SPECIFICATIONS

Horsepower:	5.0
Engine Oil: API Classification SF, SG or SH	SAE 30 (21 ounces)
Fuel Capacity:	3 Quarts (Unleaded)
Spark Plug (Gap .030 in.):	Champion N4C (or Equivalent)

### MAINTENANCE AGREEMENT

A Sears Maintenance Agreement is available on this product. Contact your nearest Sears store for details.

**WARNING:** This unit is equipped with an internal combustion engine and should not be used on or near any unimproved forest-covered, brush-covered or grass-covered land unless the engine's exhaust system is equipped with a spark arrester meeting applicable local or state laws (if any). If a spark arrester is used, it should be maintained in effective working order by the operator.

In the State of California the above is required by law (Section 4442 of the California Public Resources Code). Other states may have similar laws. Federal laws apply on federal lands. A spark arrester for the muffler is available through your nearest Sears Authorized Service Center (See the REPAIR PARTS section of this manual.)

## WARRANTY

### FULL ONE YEAR WARRANTY ON CRAFTSMAN GAS CHIPPER-SHREDDER

For one year from the date of purchase, when this Craftsman chipper-shredder is maintained, lubricated, and tuned up according to the operating and maintenance instructions in the operator's manual, Sears will repair, free of charge, any defect in material or workmanship.

This warranty excludes the blades, chipper blades, flails, air cleaners, spark plugs, catcher bags and tires, which are expendable parts and become worn during normal use.

If this chipper-shredder is used for commercial or rental purposes, this warranty applies for only 30 days from the date of purchase.

WARRANTY SERVICE IS AVAILABLE BY CONTACTING THE NEAREST SEARS SERVICE CENTER IN THE UNITED STATES. THIS WARRANTY APPLIES ONLY WHILE THIS PRODUCT IS IN USE IN THE UNITED STATES.

This warranty gives you specific legal rights, and you may also have other rights which vary from state to state.

SEARS ROEBUCK AND CO., DEPT. 817WA, HOFFMAN ESTATES, IL 60179

# TABLE OF CONTENTS

SAFETY RULES .....	2	CUSTOMER RESPONSIBILITIES .....	12, 13
PRODUCT SPECIFICATIONS .....	4	STORAGE .....	14
WARRANTY .....	4	SERVICE AND ADJUSTMENT .....	14-16
INDEX .....	5	TROUBLE SHOOTING .....	17
ACCESSORIES .....	5	PARTS ORDERING/SERVICE .....	17
ASSEMBLY .....	6-8	REPAIR PARTS—CHIPPER-SHREDDER .....	18, 19
OPERATION .....	8-11	REPAIR PARTS—ENGINE .....	20-24

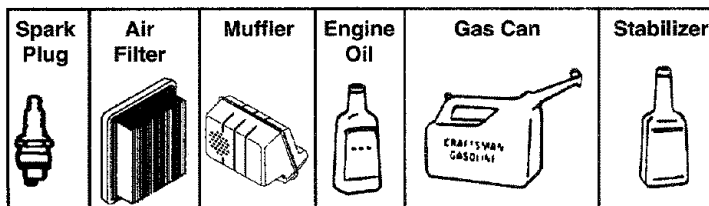
## INDEX

<b>A</b>		<b>M</b>	
Accessories .....	5	Maintenance:	
Adjustments:		Agreement .....	4
Carburetor .....	16	Schedule .....	12
Engine Speed .....	16	Engine .....	12, 13
Throttle .....	16	Chipper-Shredder .....	12
Assembly Instructions:		<b>O</b>	
Catcher Bag .....	7	Oil .....	10
Chute Deflector .....	7	Operating Tips .....	9
Hopper Assembly .....	7	<b>P</b>	
Catcher Bag .....	7, 8	Primer .....	11
<b>C</b>		<b>R</b>	
Catcher Bag .....	7, 8	Repair/Replacement Parts .....	18-24
Controls .....	8	Responsibilities, Customer .....	4, 12-14
Customer Responsibilities .....	4, 12, 13	<b>S</b>	
<b>E</b>		Safety Rules .....	2
Engine:		Sharpening .....	15, 16
Maintenance .....	12, 13	Service Recommendations .....	12
Starting .....	11	Spark Plug .....	13
Stopping .....	9	Specifications .....	4
Storage .....	14	Storage .....	14
<b>F</b>		<b>T</b>	
Fuel .....	10	Table of Contents .....	5
<b>L</b>		Trouble Shooting .....	17
Lubrication .....	12	<b>U</b>	
		Unclogging .....	14, 15
		Unpacking .....	6
		<b>W</b>	
		Warranty .....	4

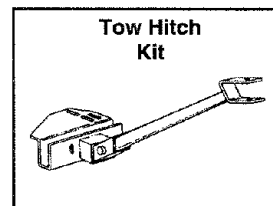
## ACCESSORIES

These accessories were available when the chipper-shredder was purchased. They are also available at most Sears retail outlets, catalog and service centers. Most Sears stores can order repair parts for you, when you provide the model number of your chipper-shredder.

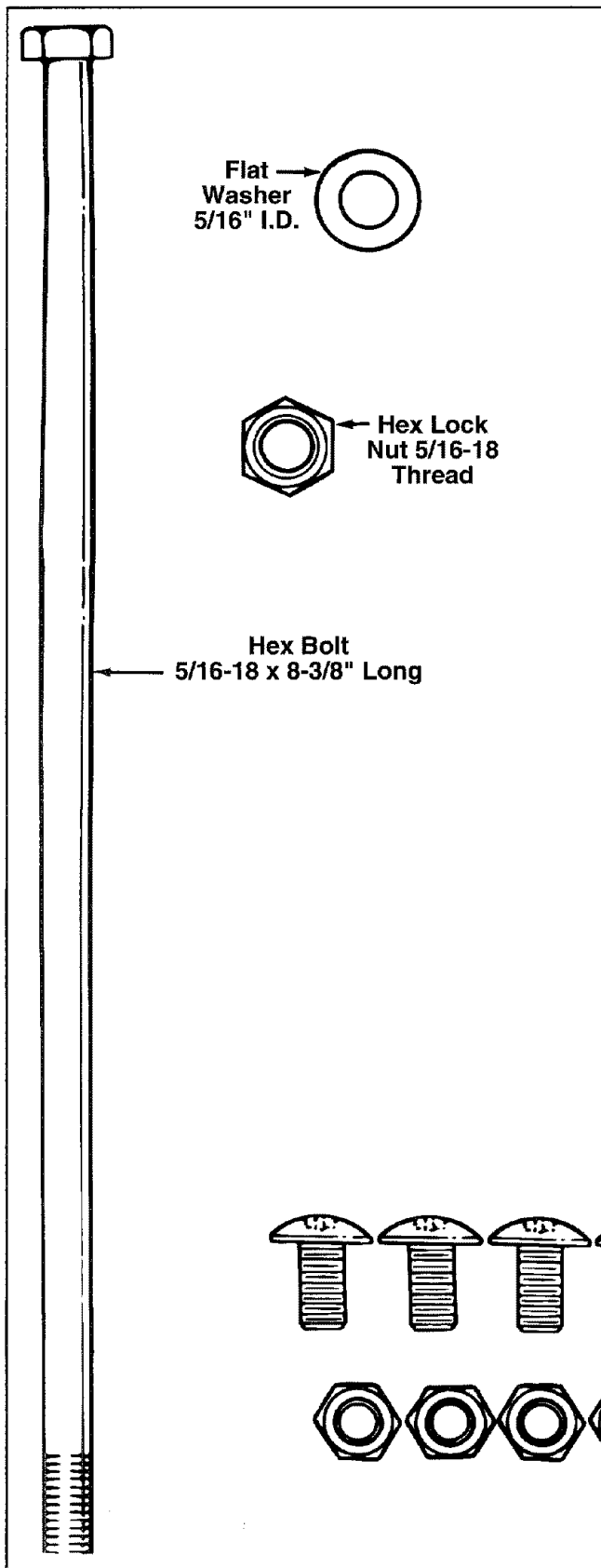
### ENGINE



### CHIPPER-SHREDDER



# ASSEMBLY INSTRUCTIONS



**IMPORTANT:** This unit is shipped WITHOUT GASOLINE or OIL in the engine. After assembly, see operation section of this manual for proper fuel and engine oil recommendations.

**NOTE:** To determine right and left hand sides of your chipper-shredder, stand behind the unit with the engine the farthest away from you. See figure 6.

Your chipper-shredder has been completely assembled at the factory, except for the hopper assembly (hopper hood and upper leaf ramp section have been sub-assembled), upper guide assembly, chute deflector and the catcher bag. The hardware pack safety glasses and a bottle of oil are also included in the carton.

The hardware pack contains the parts shown in figure 1 (shown full size).

## TO REMOVE CHIPPER-SHREDDER FROM CARTON

Cut the corners of the carton. Remove all packing inserts. Roll chipper-shredder out of the carton. Make certain all parts and literature have been removed before the carton is discarded.

## TOOLS REQUIRED FOR ASSEMBLY

- (1) Phillips Screwdriver
- (2) 1/2" or Adjustable Wrenches
- (2) 7/16" or Adjustable Wrenches
- (1) Funnel

FIGURE 1.

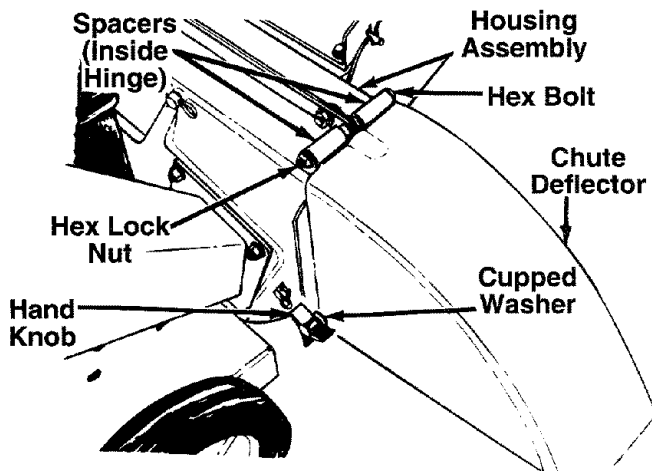


FIGURE 2.

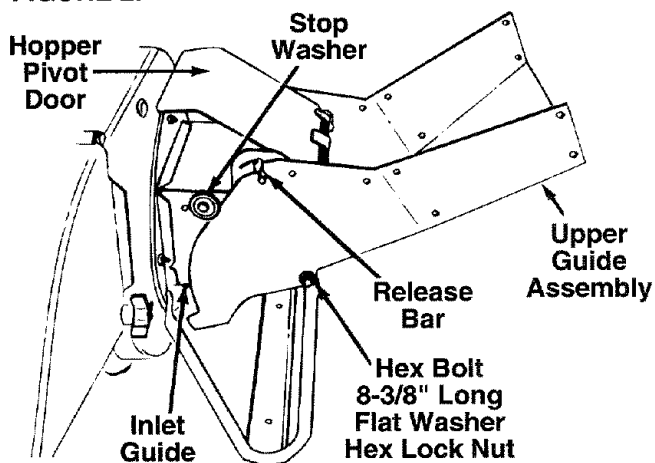


FIGURE 3.

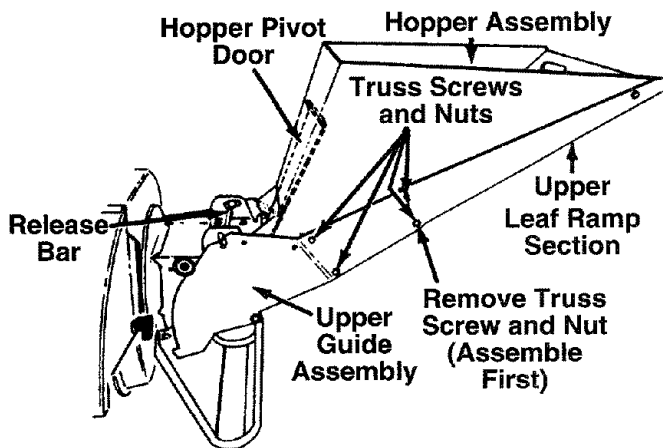


FIGURE 4.

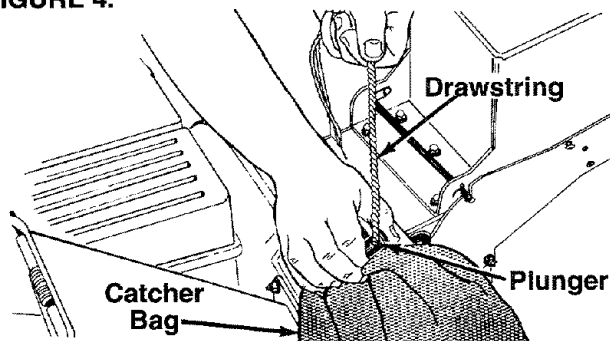


FIGURE 5.

## HOW TO SET-UP YOUR CHIPPER-SHREDDER



**MAKE CERTAIN THE SPARK PLUG WIRE IS DISCONNECTED AND MOVED AWAY FROM THE SPARK PLUG BEFORE ASSEMBLING THE CHIPPER-SHREDDER. REFER TO FIGURE 13, PAGE 11.**

### ← ATTACHING THE CHUTE DEFLECTOR

- Remove the hand knobs and cupped washers from each side of the discharge opening on the left side of the chipper-shredder.
- Remove hex lock nut, two spacers and hex bolt using two 7/16" wrenches from inside the hinge on top of the housing assembly. Do not remove one spacer from the hex bolt.
- Place the chute deflector in position on the discharge opening. Insert hex bolt and spacer through hinge on chute deflector and housing (spacer fits inside of hinge). See figure 2.
- Place second spacer over hex bolt, inside other part of hinge. Secure with hex lock nut. Tighten securely.
- Secure both sides of chute deflector to housing using hand knobs and cupped washers (cupped side of washers go against chute deflector).

### ← ATTACHING THE UPPER GUIDE ASSEMBLY

Grasp the upper guide assembly from the sides and squeeze in and slide it over the inlet guide so the edges are under the stop washers. Adjust so the holes in the upper guide assembly are aligned with the holes in the inlet guide. Insert the hex bolt 8-3/8" long through the upper guide assembly and the inlet guide. Secure with flat washer and lock nut.

**NOTE:** Make certain the upper guide assembly can pivot by lifting it up until it locks in the raised position. If it does not pivot freely, loosen the hex lock nut a turn or two and test.

### ← ATTACHING THE HOPPER ASSEMBLY

Your chipper-shredder has been shipped with the upper leaf ramp section attached to the hopper assembly. See figure 4. Attach the hopper assembly to the upper guide assembly as follows. Be certain to place heads of all truss machine screws **inside** of hopper assembly.

- Remove one truss machine screw and nut from each side of hopper assembly as shown in figure 4. **Push hopper pivot door down inside lower part of hopper** as you place hopper assembly (both pieces) **inside** upper guide assembly. Replace truss screws and nuts just removed, using the hole shown in figure 4, one on each side. Tighten finger tight only.

**NOTE:** You may have to squeeze in the sides of the hopper to start the screws. If you have difficulty aligning the holes, loosen the two screws on the upper end of the hopper assembly.

- Place the six truss machine screws and nuts found in hardware pack in the remaining holes of hopper assembly, alternating sides of the unit and tightening finger tight only.
- After assembling all eight screws, tighten them securely.

### ← ATTACHING THE CATCHER BAG

Your chipper-shredder is equipped with a catcher bag to catch the shredded material.

- To attach the bag, place the opening of the bag over the chute deflector so it completely covers the chute opening. Depress the plunger on the draw-

string, and pull on the drawstring until the bag is tight around the chute opening. Release plunger to lock it into position. See figure 5.

## OPERATION

### KNOW YOUR CHIPPER-SHREDDER

READ THIS OWNER'S MANUAL AND SAFETY RULES BEFORE OPERATING YOUR CHIPPER-SHREDDER. Compare the illustrations with your chipper-shredder to familiarize yourself with the location of various controls and adjustments. Save this manual for future reference.

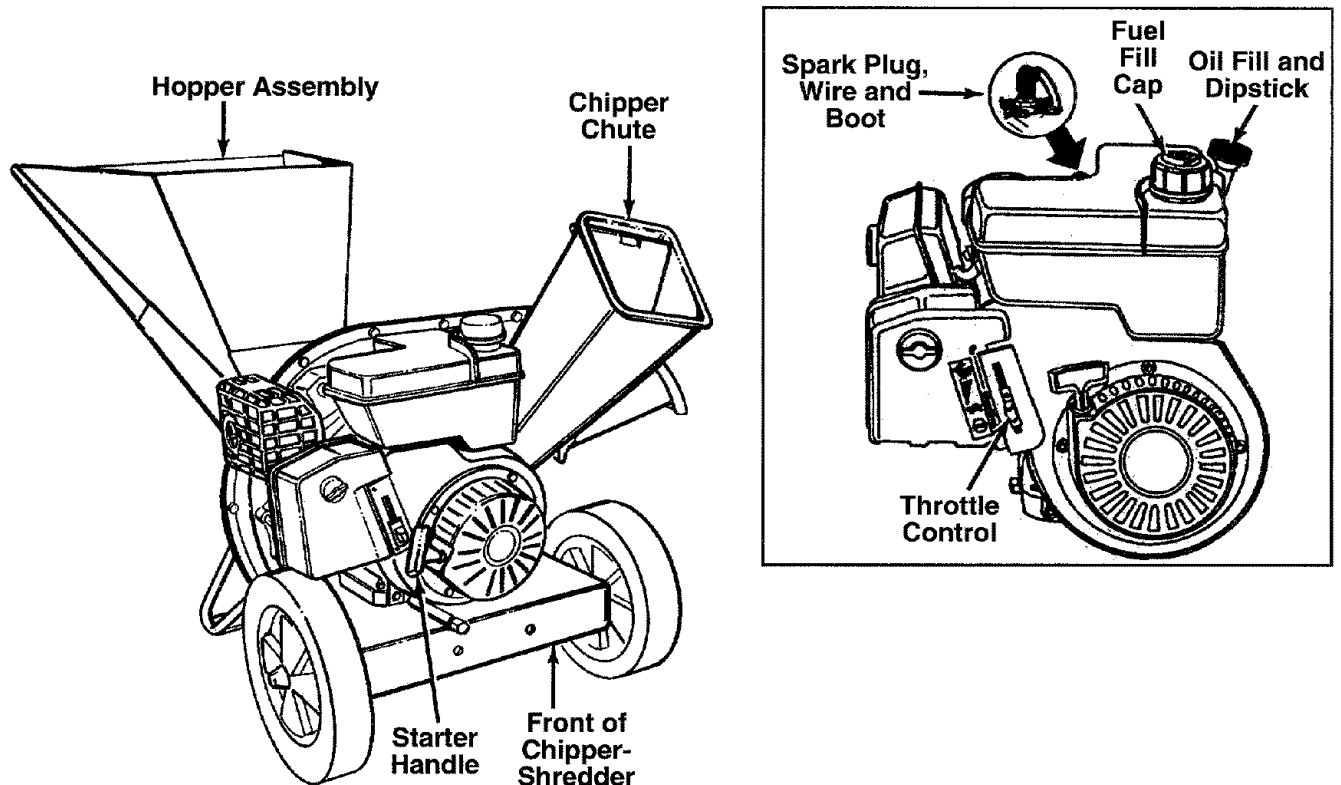


FIGURE 6.

### MEETS ANSI SAFETY STANDARDS

Sears chipper-shredders conform to the safety standard B71.6-1982 of the American National Standards Institute.

### OPERATING CONTROLS

**RELEASE BAR**—Used to release the hopper when raising or lowering. See figure 10.

**PRIMER**—Pumps additional fuel from the carburetor to the cylinder for use when starting a cold engine. See figure 14.

**STARTER HANDLE**—Used to manually start the engine. See figure 6.

**THROTTLE CONTROL**—Permits selection of fast or slow engine speed, and is used to stop the engine. See figure 6.

BEFORE USING YOUR CHIPPER-SHREDDER, AGAIN REFER TO THE "SAFETY RULES" AS SHOWN ON PAGE 2 OF THIS MANUAL. ALWAYS BE CAREFUL.



The operation of any chipper-shredder can result in foreign objects being thrown into the eyes, which can result in severe eye damage. Always wear the safety glasses provided with the chipper-shredder or eye shields before chipping or shredding, or while performing any adjustments or repairs. We recommend Wide Vision Safety Mask for over spectacles or standard glasses available at Sears Retail or Catalog Stores.



## TO STOP ENGINE

- Move throttle control lever to STOP position. See figure 6.
- Disconnect spark plug wire and move away from spark plug to prevent accidental starting while equipment is unattended. See figure 6.

## HOW TO USE YOUR CHIPPER-SHREDDER

Do not attempt to shred or chip any material other than vegetation found in a normal yard (i.e., branches, leaves, twigs, etc.).



**WARNING: THE CHIPPER-SHREDDER DISCHARGES MATERIALS WITH CONSIDERABLE VELOCITY. KEEP AWAY FROM THE AREA AROUND THE CHUTE DEFLECTOR. ALWAYS STOP THE ENGINE AND DISCONNECT THE SPARK PLUG WIRE WHEN REMOVING OR ATTACHING THE BAG WHEN CHANGING CONTAINERS OR WHEN REMOVING THE SHREDDED MATERIAL. WEAR SAFETY GLASSES AND GLOVES WHENEVER USING YOUR CHIPPER-SHREDDER.**

The chipper-shredder is designed for three different methods of operation.

- Leaves and small branches up to 1/2" diameter (recommended) or 1" diameter (maximum) can be fed into the hopper assembly when it is in the raised position. See figure 7. If it becomes necessary to push material into the chipper-shredder, use a small diameter stick—NOT YOUR HANDS. The stick should be small enough that it will be ground up if gets into the impeller assembly.



**WARNING: DO NOT PUT MATERIAL LARGER THAN 1/2" IN DIAMETER (RECOMMENDED) or 1" DIAMETER (MAXIMUM) INTO THE HOPPER ASSEMBLY. MATERIAL UP TO A MAXIMUM OF 3" IN DIAMETER MAY BE FED INTO THE CHIPPER CHUTE. DO NOT ATTEMPT TO SHRED OR CHIP ANY MATERIAL LARGER THAN 3" IN DIAMETER. PERSONAL INJURY OR DAMAGE TO THE MACHINE COULD RESULT.**

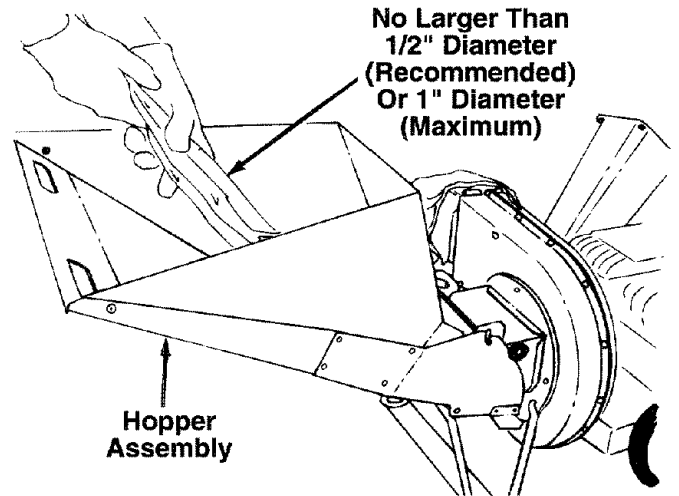


FIGURE 7.

- Leaves and small twigs can be raked into the hopper assembly when the hopper assembly is lowered to the ground. See figure 8. Small branches up to 1/2" diameter (recommended) or 1" diameter (maximum) can also be fed into the hopper assembly in this position. See figure 9.



FIGURE 8.

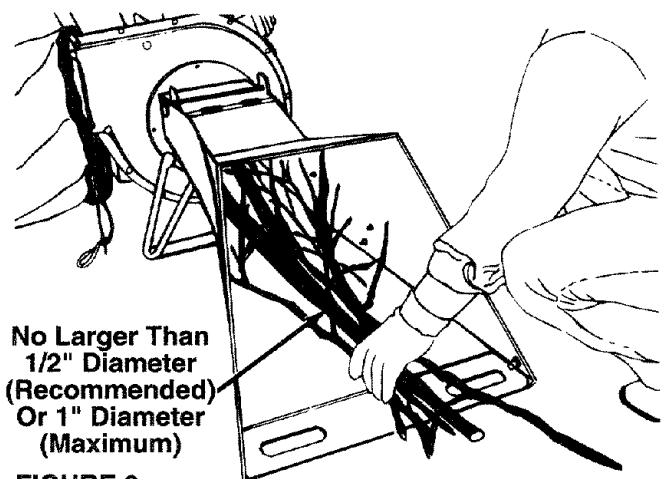


FIGURE 9.

- To lower the hopper assembly, use one hand to grasp the handle at the top of the hopper assembly and lift slightly. Pull up on the release bar, and lower the hopper assembly to the ground. Release the bar. See figure 10.

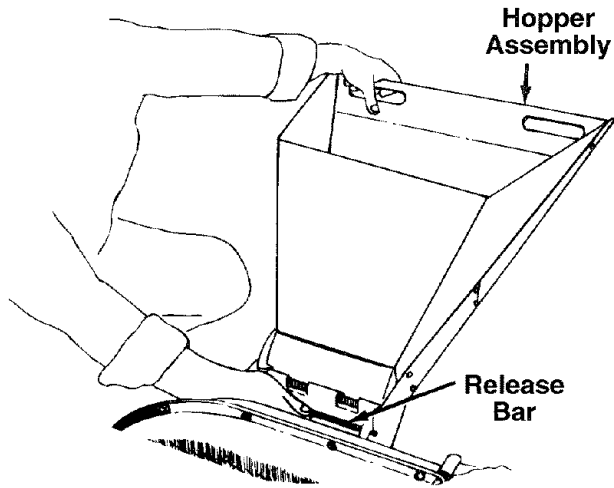


FIGURE 10.

- Bulky material, such as stalks or heavy branches, up to 3" in diameter, should be fed into the chipper chute. See figure 11.

**WARNING: MAKE CERTAIN THE CHIPPER CHUTE DOOR IS CLOSED WHEN NOT IN USE.**

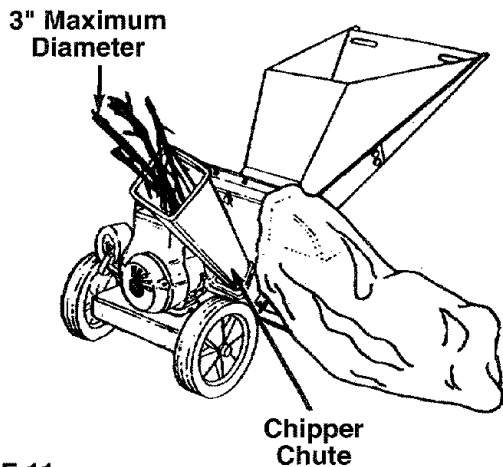


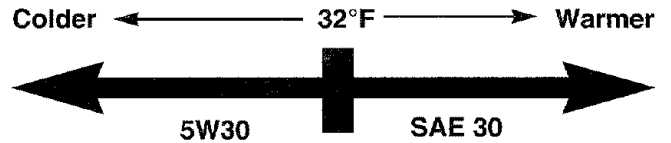
FIGURE 11.

**IMPORTANT:** There is a flail screen located inside the housing in the discharge area. **If the flail screen becomes clogged**, remove and clean as instructed in the Service and Adjustments section. For best performance, it is important to keep the shredding blade and the chipper blades sharp. If the composition of the material being discharged changes (becomes stringy, etc.) or if the rate at which the material is discharged slows down considerably, it is likely that the shredding blade and/or chipper blades are dull and need to be sharpened or replaced. Refer to Service and Adjustments section.

## GAS AND OIL FILL-UP

### OIL (Packed with Unit)

Only use high quality detergent oil rated with API service classification SF, SG or SH. Select the oil's viscosity grade according to your expected operating temperature.



**NOTE:** Although multi-viscosity oils (5W30, 10W30, etc.) improve starting in cold weather, these multi-viscosity oils will result in increased oil consumption when used above 32°F. Check your oil level more frequently to avoid possible engine damage from running low on oil.

- Fill engine with oil as follows. Remove oil fill dipstick. See figure 12. With chipper-shredder level, use a funnel to fill engine with oil to FULL mark on dipstick. Capacity is approximately 21 ounces. Be careful not to overfill. Tilt chipper-shredder toward the left (from behind the hopper), then re-level. Check oil level. Refill to FULL mark on dipstick if necessary. Replace dipstick and tighten.

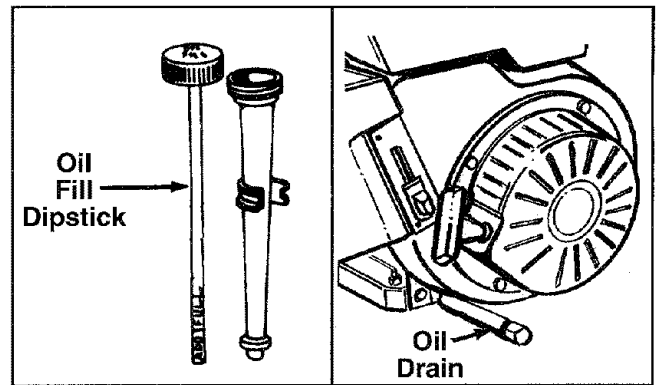


FIGURE 12.

### GAS

- Remove fuel cap and fill fuel tank with about 3 quarts of clean, fresh, lead-free grade automotive gasoline. **DO NOT** use Ethyl or high octane gasoline. Be certain container is clean and free from rust or foreign particles. Never use gasoline that may be stale from long periods of storage in the container. Replace fuel cap.



**WARNING: DO NOT FILL CLOSER THAN 1/2 INCH OF TOP OF FUEL TANK TO PREVENT SPILLS AND TO ALLOW FOR FUEL EXPANSION. IF GASOLINE IS ACCIDENTLY SPILLED, MOVE CHIPPER-SHREDDER AWAY FROM AREA OF SPILL. AVOID CREATING ANY SOURCE OF IGNITION UNTIL GASOLINE VAPORS HAVE DISAPPEARED.**

**Check the fuel level periodically** to avoid running out of gasoline while operating the chipper-shredder. If the unit runs out of gas as it is shredding or chipping, it may be necessary to unclog the unit before it can be restarted. Refer to "Removing the Flail Screen" in SERVICE AND ADJUSTMENT section.

**WARNING: EXPERIENCE INDICATES THAT ALCOHOL BLENDED FUELS (CALLED GASOHOL OR USING ETHANOL OR METHANOL) CAN ATTRACT MOISTURE WHICH LEADS TO SEPARATION AND FORMATION OF ACIDS DURING STORAGE. ACIDIC GAS CAN DAMAGE THE FUEL SYSTEM OF AN ENGINE WHILE IN STORAGE. TO AVOID ENGINE PROBLEMS, THE FUEL SYSTEM SHOULD BE EMPTIED OR TREATED WITH FUEL STABILIZER BEFORE STORAGE FOR 30 DAYS OR LONGER. USE FRESH FUEL NEXT SEASON. SEE "STORAGE" SECTION FOR ADDITIONAL INFORMATION.**

**NEVER USE ENGINE OR CARBURETOR CLEANER PRODUCTS IN THE FUEL TANK OR PERMANENT DAMAGE MAY OCCUR.**

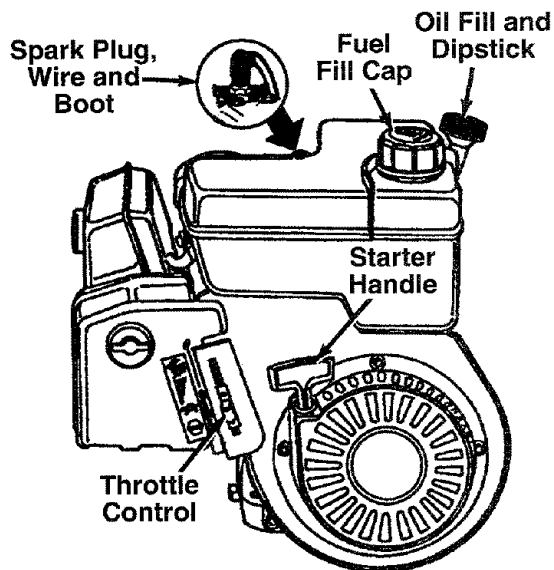


FIGURE 13.

### TO START ENGINE



**WARNING: BE SURE NO ONE OTHER THAN THE OPERATOR IS STANDING NEAR THE CHIPPER-SHREDDER WHILE STARTING OR OPERATING. DO NOT OPERATE THIS CHIPPER-SHREDDER UNLESS THE CHUTE DEFLECTOR HAS BEEN PROPERLY INSTALLED AND IS SECURED WITH THE HAND KNOBS.**

- Attach spark plug wire and rubber boot to spark plug. See figure 13.
- Place the throttle control lever in FAST position (UP).
- Push primer two or three times prior to starter operation. See figure 14. Use sharp pushes and wait about **two seconds** between each push. In cold weather (50°F or below), push primer five times.

**NOTE: Primer may be needed to restart a warm engine after a short shut-down.**

- Grasp starter handle (see figure 13) and pull rope out slowly until engine reaches start of compression cycle (rope will pull slightly harder at this point). Let the rope rewind slowly.

**NOTE: A noise will be heard when finding the start of the compression cycle. This noise is caused by the flails and fingers which are part of the shredding mechanism falling into place, and should be expected. In addition, the flails and fingers will be noisy after the engine is started, until the impeller reaches full speed.**

- Pull rope with a rapid, continuous, full arm stroke. Keep a firm grip on starter handle. Let rope rewind slowly. Do not let starter handle snap back against starter.

**NOTE: To prevent the unit from sliding, place your foot against the tire.**

- Repeat preceding two instructions until engine fires.

**NOTE: If engine does not start after three attempts, push primer two times and pull starter rope again.**

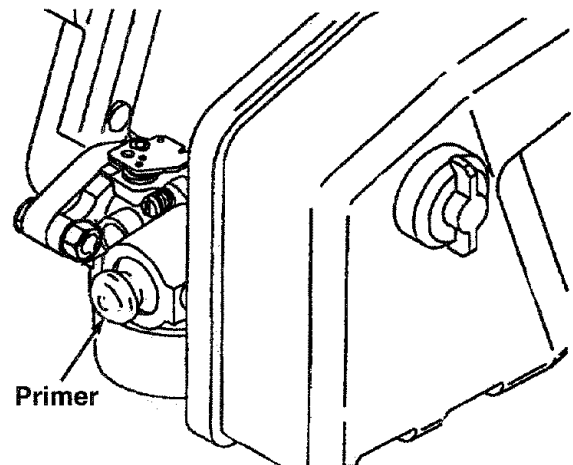


FIGURE 14.

### TO STOP ENGINE

- Move throttle control lever to STOP position (DOWN).
- Disconnect spark plug wire and move away from spark plug to prevent accidental starting while equipment is unattended.

# CUSTOMER RESPONSIBILITIES

<b>MAINTENANCE SCHEDULE</b> FILL IN DATES AS YOU COMPLETE REGULAR SERVICE		BEFORE EACH USE	AFTER EACH USE	FIRST FIVE HOURS	EVERY 25 HOURS	EVERY 50 HOURS	SERVICE DATES							
<b>PRODUCT</b>	Oil Pivot Points					✓								
	Clean Shredder		✓			✓								
<b>ENGINE</b>	Check Engine Oil	✓												
	Change Engine Oil			✓	✓									
	Service Air Cleaner				✓									
	Clean Engine Cylinder				✓	✓								
	Spark Plug				✓	✓								
	Muffler					✓								

✓ CHECK

## GENERAL RECOMMENDATIONS



**WARNING: ALWAYS STOP THE ENGINE AND DISCONNECT THE SPARK PLUG WIRE BEFORE PERFORMING ANY MAINTENANCE OR ADJUSTMENTS.**

- Periodically check all fasteners and be sure they are tight.
- Follow the Maintenance Schedule above.

## CHIPPER-SHREDDER

### LUBRICATION

Lubricate the pivot points on the release bar, hopper assembly, chute deflector and chipper chute once a season using a light oil.

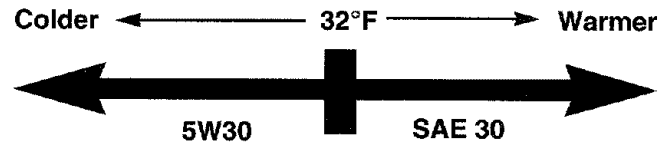
### CLEANING

- The chipper-shredder may be cleaned by running water from a hose through the hopper assembly and chipper chute with the engine running. Allow the chipper-shredder to dry thoroughly.
- Wash the bag periodically with water. Allow to dry thoroughly in the shade. Do not use heat.

## ENGINE

### ENGINE OIL

Only use high quality detergent oil rated with API service classification SF, SG or SH. Select the oil's viscosity grade according to your expected operating temperature.



**NOTE:** Although multi-viscosity oils (SE30, 10W30, etc.) improve starting in cold weather, these multi-viscosity oils will result in increased oil consumption when used above 32°F. Check your oil level more frequently to avoid possible engine damage from running low on oil.

Your four-cycle engine will normally consume some oil—therefore, check engine oil level regularly approximately every five hours of operation and before each usage. Stop engine and wait several minutes before checking oil level. With engine level, the oil must be to FULL mark on dipstick (refer to figure 12). Change engine oil after the first five hours of operation, and every twenty-five hours thereafter.

### To Drain Oil:

- Drain oil while engine is warm.
  - a. Remove oil drain plug. Refer to figure 12. Catch oil in a suitable container.
  - b. When engine is drained of all oil, replace drain plug securely.
- Refill with fresh oil. Refer to GAS AND OIL FILL-UP section.
- Replace dipstick.

## AIR CLEANER

The air cleaner prevents damaging dirt, dust, etc., from entering the carburetor and being forced into the engine and is important to engine life and performance.

**Never run your engine without air cleaner completely assembled.**

### To Service Air Cleaner:

Service foam filter after every 25 hours of use, or at least once a season. Service paper filter every 100 hours of use, or at least once a season. Service foam filter and paper filter more often under dusty conditions.

- Remove wing nut and cover. Remove paper filter. See figure 15.
- Remove and inspect filters for discoloration or dirt accumulation. If necessary, service as follows.
- **Foam filter:** Clean and re-oil every three months or every 25 operating hours. Clean and re-oil daily if used in extremely dusty conditions.
  - Wash in water and detergent solution. Squeeze (don't twist) until all dirt is removed.
  - Rinse thoroughly in clear water.
  - Wrap in a clean cloth and squeeze (don't twist) until completely dry.
  - Saturate with engine oil. Squeeze (don't twist) to distribute oil and remove excess oil.
- **Paper filter:** Replace once a year or every 100 operating hours, or more often if used in extremely dusty conditions.
- Clean inside of base and cover thoroughly.
- Replace paper and foam filters, making sure the screen side is toward the paper filter. Replace cover and wing nut. Tighten securely.

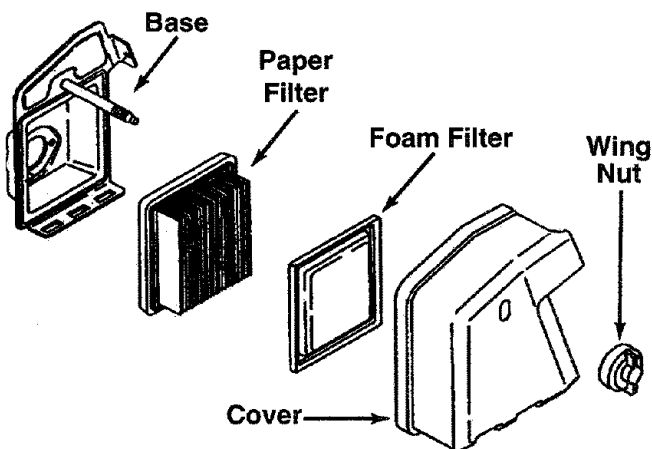


FIGURE 15.

## CLEAN ENGINE

Clean engine periodically. Remove dirt and debris with a cloth or brush. Cleaning with a forceful spray of water is not recommended as water could contaminate the fuel system.

Yearly or every 25 hours, whichever occurs first, remove the blower housing and clean the areas shown in figure 16 to avoid overspeeding, overheating and engine damage. Clean more often if necessary.



**WARNING: PERIODICALLY CLEAN MUFFLER AREA TO REMOVE ALL GRASS, DIRT AND COMBUSTIBLE DEBRIS.**

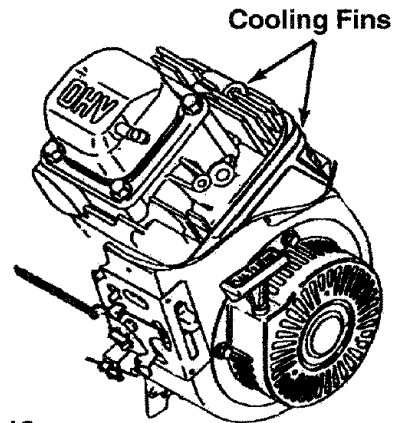


FIGURE 16.  
SPARK PLUG

The spark plug should be cleaned and the gap reset to .030" at least once a season or every 50 hours of operation. See figure 17. Spark plug replacement is recommended at the start of each season. Refer to engine parts list for correct spark plug type.

**NOTE:** Do not sandblast spark plug. Spark plug should be cleaned by scraping or wire brushing and washing with a commercial solvent.

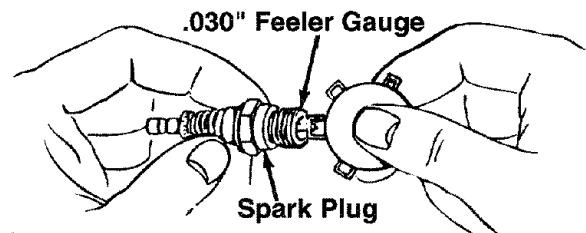


FIGURE 17.

## MUFFLER

Do not operate the chipper-shredder without a muffler or tamper with the exhaust system. Damaged mufflers or spark arresters could create a fire hazard. Inspect periodically, and replace if necessary. If your engine is equipped with a spark arrester screen assembly, remove every 50 hours for cleaning and inspection. Replace if damaged.

---

## STORAGE

---

Prepare your chipper-shredder for storage at the end of the season or if the unit will not be used for 30 days or more.



**WARNING: NEVER STORE MACHINE WITH FUEL IN THE FUEL TANK INSIDE OF BUILDING WHERE FUMES MAY REACH AN OPEN FLAME OR SPARK, OR WHERE IGNITION SOURCES ARE PRESENT SUCH AS HOT WATER AND SPACE HEATERS, FURNACES, CLOTHES DRYERS, STOVES, ELECTRIC MOTORS, ETC.**

**NOTE:** A yearly check-up by your local Sears Service Center is a good way to make certain your chipper-shredder will provide maximum performance for the next season.

### CHIPPER-SHREDDER

- Clean the chipper-shredder thoroughly.
- Wipe unit with an oiled rag to prevent rust (use a light oil or silicone).

### ENGINE

**IMPORTANT:** IT IS IMPORTANT TO PREVENT GUM DEPOSITS FROM FORMING IN ESSENTIAL FUEL SYSTEM PARTS SUCH AS CARBURETOR, FUEL FILTER, FUEL HOSE, OR TANK DURING STORAGE. ALSO, EXPERIENCE INDICATES THAT ALCOHOL BLENDED FUELS (CALLED GASOHOL OR USING ETHANOL OR METHANOL) CAN ATTRACT MOISTURE WHICH LEADS TO SEPARATION AND FORMATION OF ACIDS DURING STORAGE. ACIDIC GAS CAN DAMAGE THE FUEL SYSTEM OF AN ENGINE WHILE IN STORAGE.

- Drain the fuel tank.
- Start the engine and let it run until the fuel lines and carburetor are empty.
- Never use engine or carburetor cleaner products in the fuel tank or permanent damage may occur.
- Use fresh fuel next season.

**NOTE:** Fuel stabilizer is an acceptable alternative in minimizing the formation of fuel gum deposits during storage. Add stabilizer to gasoline in fuel tank or storage container. Always follow the mix ratio found on stabilizer container. Run engine at least 10 minutes after adding stabilizer to allow the stabilizer to reach the carburetor. Do not drain the gas tank and carburetor if using fuel stabilizer.

- Drain all the oil from the crankcase (this should be done after the engine has been operated and is still warm) and refill the crankcase with fresh oil.
- If you have drained the fuel tank, protect the inside of the engine as follows. Remove spark plug, pour approximately 1/2 ounce (approximately one table-spoon) of engine oil into cylinder and crank slowly to distribute oil. Replace spark plug.

### OTHER

- Do not store gasoline from one season to another.
- Replace your gasoline can if your can starts to rust. Rust and/or dirt in your gasoline will cause problems.
- Store unit in a clean, dry area. Do not store next to corrosive materials, such as fertilizer.

**NOTE:** If storing in an unventilated or metal storage shed, be certain to rustproof the equipment by coating with a light oil or silicone.

---

## SERVICE & ADJUSTMENT

---



**WARNING: ALWAYS STOP ENGINE AND DISCONNECT SPARK PLUG WIRE AND MOVE IT AWAY FROM SPARK PLUG BEFORE PERFORMING ANY ADJUSTMENTS OR REPAIRS.**

### REMOVING THE FLAIL SCREEN

If the discharge area becomes clogged, remove the flail screen and clean area as follows.

- Stop the engine, make certain the chipper-shredder has come to a complete stop and disconnect spark plug wire from the spark plug before unclogging the chute.

- Loosen the two hand knobs on each side of the chute deflector. Lift the chute deflector up, and tie it out of the way.
- Remove two hairpin clips from the clevis pins which extend through the housing. Remove the clevis pins. Lift the flail screen from inside the housing. See figure 18.
- Clean the screen by scraping or washing with water. Reinstall the screen.

**NOTE:** Be certain to reassemble the flail screen with the curved side down as shown in figure 18.

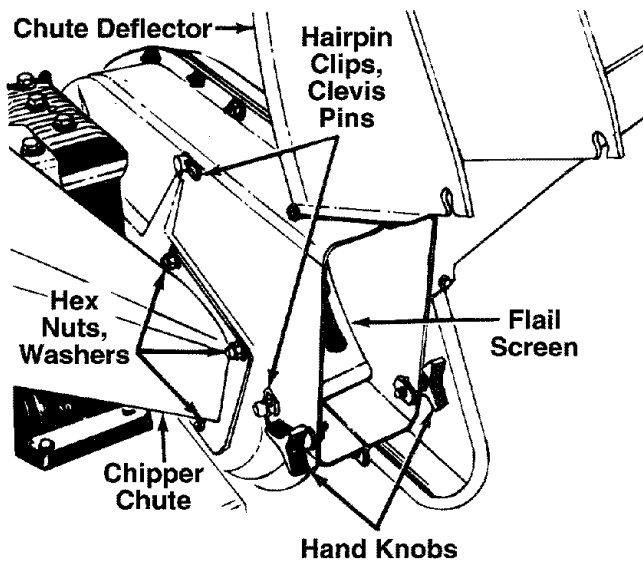


FIGURE 18.

### SHARPENING OR REPLACING THE BLADES CHIPPER BLADES

- Disconnect spark plug wire and move it away from spark plug.
- Remove the flail screen as instructed in previous section.
- Remove the chipper chute by removing three hex nuts and washers. A 1/2" wrench is required. See figure 18.

**NOTE:** When reassembling, the cupped washer goes on the bottom of the chipper chute with the cupped side against the chute.

- Rotate the impeller assembly by hand until you locate one of the chipper blades in the chipper chute opening. Remove the blade, using a 3/16" allen wrench on the outside of the blade and 1/2" wrench on the impeller assembly (inside the housing). See figure 19.
- Remove the other blade in the same manner.

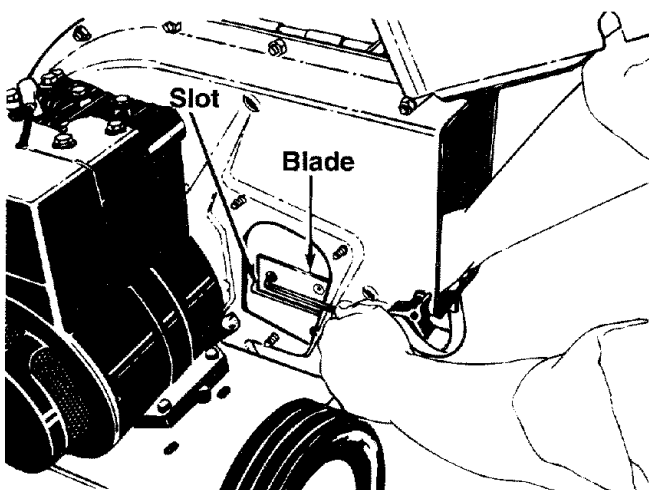


FIGURE 19.

Replace or sharpen blades. If sharpening, make certain to remove an equal amount from each blade. Reassemble in reverse order.

Make certain blades are reassembled with the sharp edge facing the direction shown in figure 18 (sharp edge is assembled toward the slotted opening in the impeller assembly). Torque bolts and nuts to 250-350 inch pounds.

### SHREDDING BLADE

The shredding blade may be removed for sharpening or replacement as follows.

- Disconnect spark plug wire and move it away from spark plug.
- Lower the hopper assembly. Block up the housing. See figure 20.
- Remove the six hex lock nuts and lock washers from the housing weld bolts using a 1/2" wrench. Separate the chipper-shredder into two halves.
- Remove the back-up plate.

**NOTE:** When reassembling, make certain the opening on the back-up plate is toward the bottom of the unit. The back-up plate may be reversed to provide a new cutting edge.

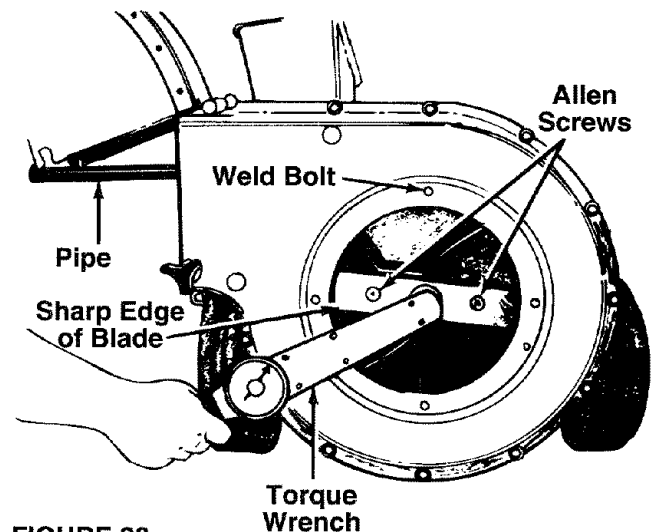
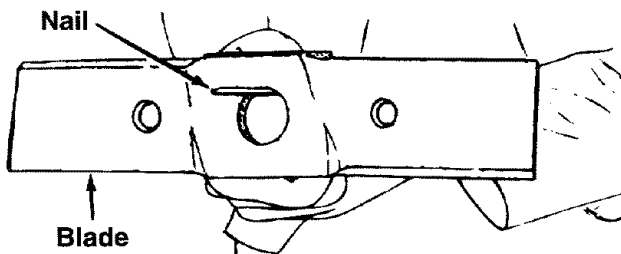


FIGURE 20.

- Loosen the two hand knobs and cupped washers which secure the chute deflector, and raise the chute deflector.
- Insert a 1/2" or 3/4" diameter pipe through the flail screen into the impeller to keep it from turning, or remove the flail screen and insert a piece of wood (2 x 4) into the chute opening.
- Remove the two outside screws on the blade, using a 3/16" allen wrench and a 1/2" wrench.
- Remove the blade by removing the center bolt, lock washer and flat washer.

**NOTE:** Use caution when removing the blade to avoid contacting the weld bolts on the housing.

- When sharpening the blade, follow the original angle of grind as a guide. It is extremely important that each cutting edge receives an equal amount of grinding to prevent an unbalanced blade. An unbalanced blade will cause excessive vibration when rotating at high speeds and may cause damage to the unit.
- The blade can be tested for balance by balancing it on a round shaft screwdriver or nail. Remove metal from the heavy side until it is balanced evenly. See figure 21.



**FIGURE 21.**

- When reassembling the blade, tighten to between 550 and 650 inch pounds, or lacking torque wrench, tighten securely.

## **FLAILS**

The flails, located inside the housing, may be reversed when they become dull. It is suggested that this procedure be performed by your nearest Sears Service Department.

## **CARBURETOR ADJUSTMENT**



**WARNING: IF ANY ADJUSTMENTS ARE MADE TO THE ENGINE WHILE THE ENGINE IS RUNNING (E.G. CARBURETOR), KEEP CLEAR OF ALL MOVING PARTS. BE CAREFUL OF HEATED SURFACES AND MUFFLER.**

The carburetor has been pre-set at the factory and should not require adjustment. However, if your engine does not operate properly due to suspected carburetor problems, take your chipper-shredder to your nearest SEARS Service Center.

## **ENGINE SPEED**

Your engine speed has been factory set. Do not attempt to increase engine speed or it may result in personal injury. If you believe the engine is running too fast or too slow, take your chipper-shredder to the nearest SEARS Service Center for repair and adjustment.



## TROUBLE SHOOTING

PROBLEM	POSSIBLE CAUSE(S)	CORRECTIVE ACTION
Engine fails to start	<ul style="list-style-type: none"> <li>● Fuel tank empty, or stale fuel.</li> <li>● Spark plug wire disconnected.</li> <li>● Engine not primed correctly.</li> <li>● Throttle control not in correct starting position.</li> <li>● Faulty spark plug.</li> </ul>	<ul style="list-style-type: none"> <li>● Fill tank with clean, fresh fuel.</li> <li>● Connect wire to spark plug.</li> <li>● Follow priming instructions in operation section.</li> <li>● Move throttle control to FAST position.</li>   <li>● Clean, adjust gap or replace.</li> </ul>
Loss of power; operation erratic	<ul style="list-style-type: none"> <li>● Spark plug wire loose.</li> <li>● Blocked fuel line or stale fuel.</li> <li>● Water or dirt in fuel system.</li>   <li>● Carburetor out of adjustment.</li>   <li>● Dirty air cleaner.</li> </ul>	<ul style="list-style-type: none"> <li>● Connect and tighten spark plug wire.</li> <li>● Clean fuel line; fill tank with clean fresh gasoline.</li> <li>● Disconnect fuel line at carburetor to drain fuel tank. Refill with fresh fuel.</li> <li>● Adjust carburetor or contact your SEARS Service Center.</li> <li>● Service air cleaner. See Customer Responsibilities section of this manual.</li> </ul>
Engine overheats	<ul style="list-style-type: none"> <li>● Carburetor not adjusted properly.</li> <li>● Engine oil level low.</li> </ul>	<ul style="list-style-type: none"> <li>● Contact your SEARS Service Center.</li>   <li>● Fill crankcase with proper oil.</li> </ul>
Too much vibration	<ul style="list-style-type: none"> <li>● Loose parts or damaged impeller.</li> </ul>	<ul style="list-style-type: none"> <li>● Stop engine immediately and disconnect spark plug wire. Tighten all bolts and nuts. Make all necessary repairs. If vibration continues, have unit serviced by a SEARS Service Center.</li> </ul>
Unit does not discharge	<ul style="list-style-type: none"> <li>● Discharge chute clogged.</li>   <li>● Foreign object lodged in impeller.</li> </ul>	<ul style="list-style-type: none"> <li>● Stop engine immediately and disconnect spark plug wire. Clean flail screen and inside of blower housing. See Service/Adjustments section of this manual.</li> <li>● Stop engine immediately and disconnect spark plug wire. Remove lodged object.</li> </ul>
Rate of discharge slows considerably or composition of discharged material changes	<ul style="list-style-type: none"> <li>● Shredding blade and/or chipper blades dull.</li> </ul>	<ul style="list-style-type: none"> <li>● Sharpen or replace shredding and chipper blades.</li> </ul>

NOTE: For repairs beyond the minor adjustments listed above, please contact your nearest SEARS Service Center.

## HOW TO ORDER REPLACEMENT PARTS

Each chipper-shredder has its own model number. Each engine has its own model number.

The model number for your chipper-shredder will be found on a label attached to the frame.

The model number for the engine will be found on the blower housing of the engine.

All parts listed herein may be ordered through Sears, Roebuck and Co. Service Centers and most Retail Stores.

**WHEN ORDERING REPAIR PARTS, ALWAYS GIVE THE FOLLOWING INFORMATION:**

**\*PRODUCT - "5 H.P. Chipper-Shredder"**

**\*MODEL NUMBER - 247.795850**

**\*ENGINE MODEL NO. - 143.955003**

**\*PART NUMBER**

**\*PART DESCRIPTION**

Your Sears merchandise has added value when you consider that Sears has service units nationwide staffed with Sears trained technicians...professional technicians specifically trained on Sears products, having the parts, tools and the equipment to insure that we meet our pledge to you..."we service what we sell."

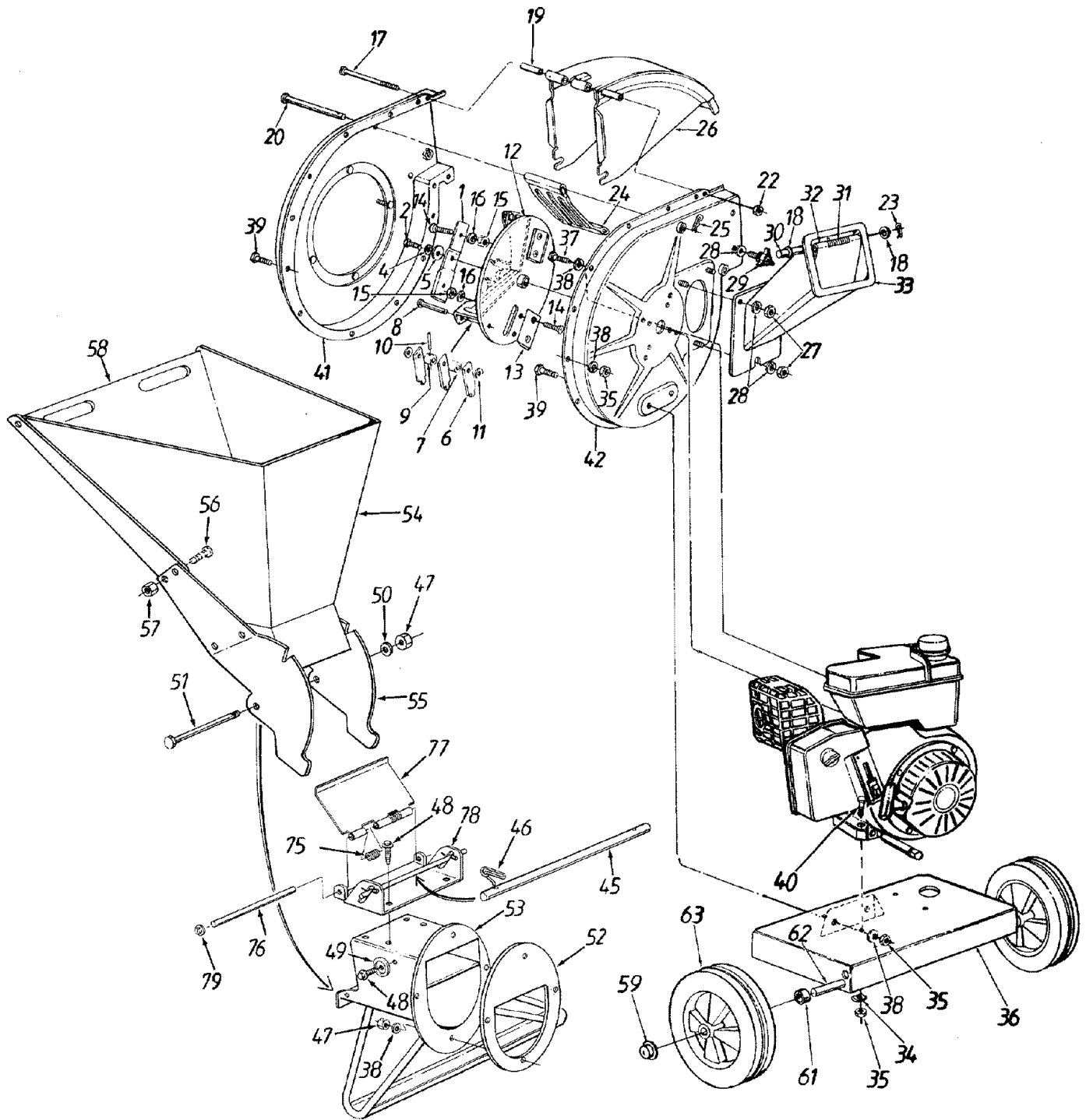
**IF YOU NEED REPAIR SERVICE OR PARTS:**

**REPAIR SERVICE  
1-800-4-REPAIR  
(1-800-473-7247)**

**ORDERING PARTS  
1-800-FON-PART  
(1-800-366-7278)**

# SEARS CRAFTSMAN 5 H.P. CHIPPER-SHREDDER MODEL NO. 247.795850

## Repair Parts



# SEARS CRAFTSMAN 5 H.P. CHIPPER-SHREDDER MODEL NO. 247.795850

## Repair Parts

KEY NO.	PART NO.	DESCRIPTION	KEY NO.	PART NO.	DESCRIPTION
1	742-0571	Blade	38	736-0119	L-Wash. 5/16" I.D.*
2	710-1254	Hex Patch Bolt 3/8-24 x 2.25" Lg. (Gr. 8)	39	710-3008	Hex Bolt 5/16-18 x .75" Lg. (Gr. 5)
4	736-0217	L-Wash. 3/8" I.D. H.D.	40	710-0442	Hex Bolt 5/16-18 x 1.5" Lg.*
5	736-0247	Fl-Wash. .406" I.D. x 1.25" O.D. Hdn.	41	681-0004	Flail Housing Ass'y.—L.H.
6	11459B	Flail	42	781-0474A	Flail Housing Ass'y.—R.H.
7	711-0564	Flail Spacer	43	735-0639	Spark Plug Boot
8	711-0833B	Clevis Pin .496" Dia.	44	143.955003	Engine—Model 143.955003
9	711-0834A	Flail Spacer w/.160" Dia. Hole	45	747-0531A	Release Bar
10	715-0249	Spring Roll Pin 1.12" Lg.	46	732-0546	Torsion Spring 1.06" Lg.
11	736-0192	Fl-Wash. .531" I.D. x .94" O.D.	47	712-0429	Elastic Lock Nut 5/16-18 Thd.
12	681-0030	Impeller Ass'y. Comp.†	48	710-0601	Hex Wash. Hd. Self-Tap Scr. 5/16-18 x .75" Lg.
13	781-0490	Chipper Blade	49	11480	Stop Washer
14	710-1054	Flat Hd. Scr. 5/16-24 x .75" Lg.	50	736-0264	Fl-Wash. 5/16" I.D.
15	712-0411	Hex Top L-Nut 5/16-24 (Gr. 5)	51	710-0542	Hex Bolt 5/16-18 x 8.38" Lg.
16	736-0119	L-Wash. 5/16" I.D.*	52	781-0487B	Back-Up Plate
17	710-0825	Hex Bolt 1/4-20 x 3.75" Lg.*	53	16522B	Inlet Guide Ass'y.
18	736-0142	Fl-Wash. .281" I.D. x .50" O.D.	54	781-0494	Pivot Hopper Hood
19	750-0793	Chute Hinge Spacer 1.66" Lg.	55	16524B	Upper Guide Ass'y.
20	711-0835	Clevis Pin .5" Dia. x 4.62" Lg.	56	710-0286	Truss Mach. Scr. 1/4-20 x .5" Lg.
22	712-0291	Hex Ctr. L-Nut 1/4-20 Thd.	57	712-0107	Hex L-Nut 1/4-20 Thd.
23	714-3010	Cotter Pin	58	11461B	Upper Leaf Ramp Section
24	781-0457	Shredder Screen	59	726-0214	Push Cap 5/8" Dia. Rod
25	714-0149B	Internal Cotter Pin 3/8" Dia.	61	750-0786	Spacer .64" I.D. x .38" Lg.
26	781-0480	Chute Deflector Ass'y.	62	738-0814	Shredder Axle
27	712-3010	Hex Nut 5/16-18 Thd. (Gr. 5)	63	734-1600	Wheel Ass'y. Comp.
28	736-0242	Bell-Wash. .345" I.D. x .88"	75	732-0629	Torsion Spring
29	720-0170	Hand Knob	76	747-0747	Hopper Door Rod
30	747-0744A	Chipper Door Rod	77	781-0492	Hopper—Pivot Door
31	732-0542	Torsion Spring 1.14" Lg.	78	781-0493	Hopper Lockout Brkt.
32	781-0489	Chipper Door	79	726-0106	Cap Speed Nut 1/4" Rod
33	781-0475	Chipper Chute Ass'y.	—	764-0199A	Bag (Not Shown)
34	736-0170	Spec. L-Wash. 5/16" I.D.	—	723-0400	Safety Glasses (Not Shown)
35	712-3010	Hex Nut 5/16-18 Thd. (Gr. 5)	—	770-8901L	Owner's Manual
36	781-0510A	Shredder Frame			
37	710-0157	Hex Bolt 5/16-24 x .75" Lg.			

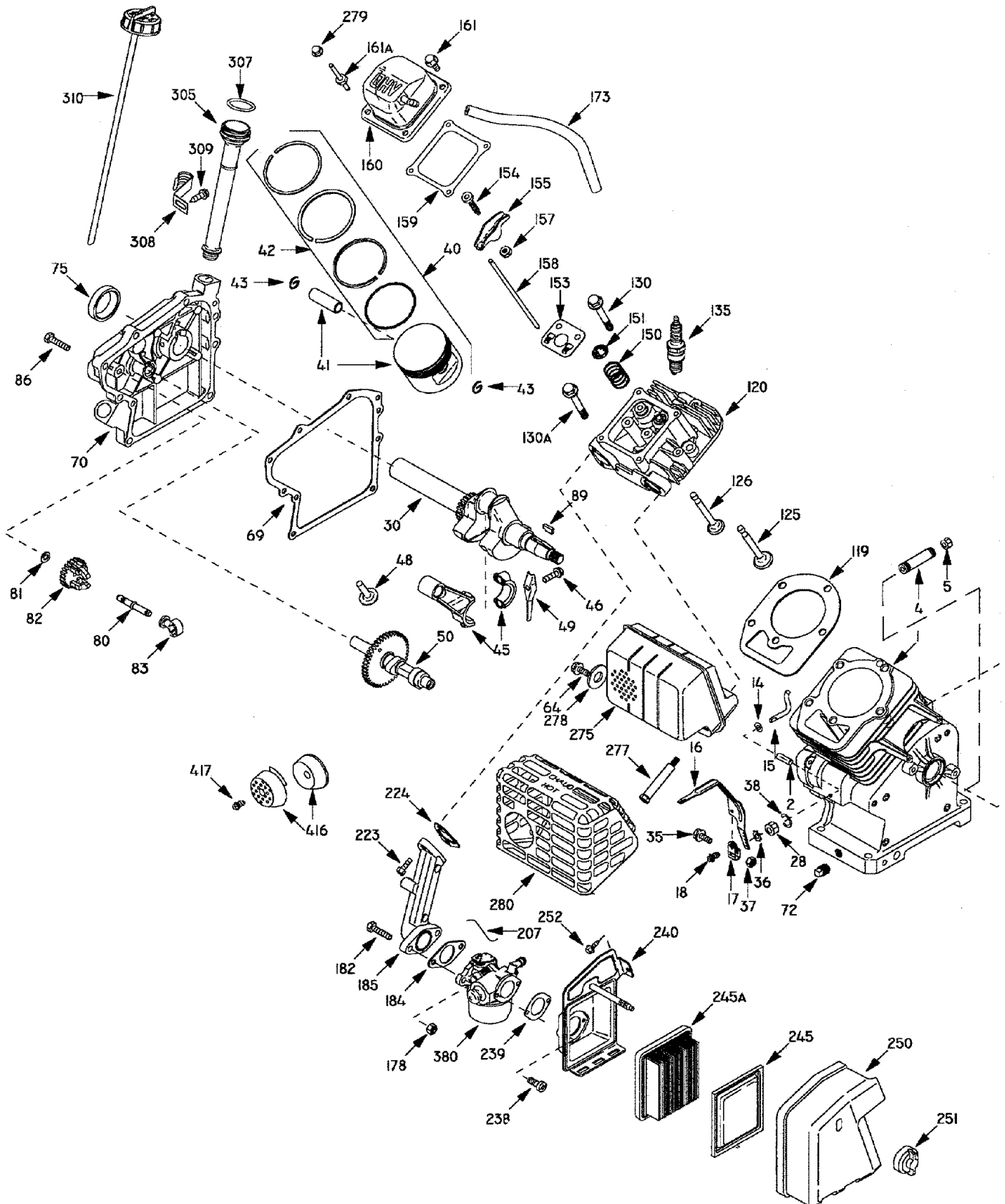
†Incl. Ref. 1, 6, 7, 8, 9, 10, 11, 12, 13, 14

\*Common Hardware—May Be Purchased Locally.

**NOTE:** Specifications subject to change without notice or obligation.

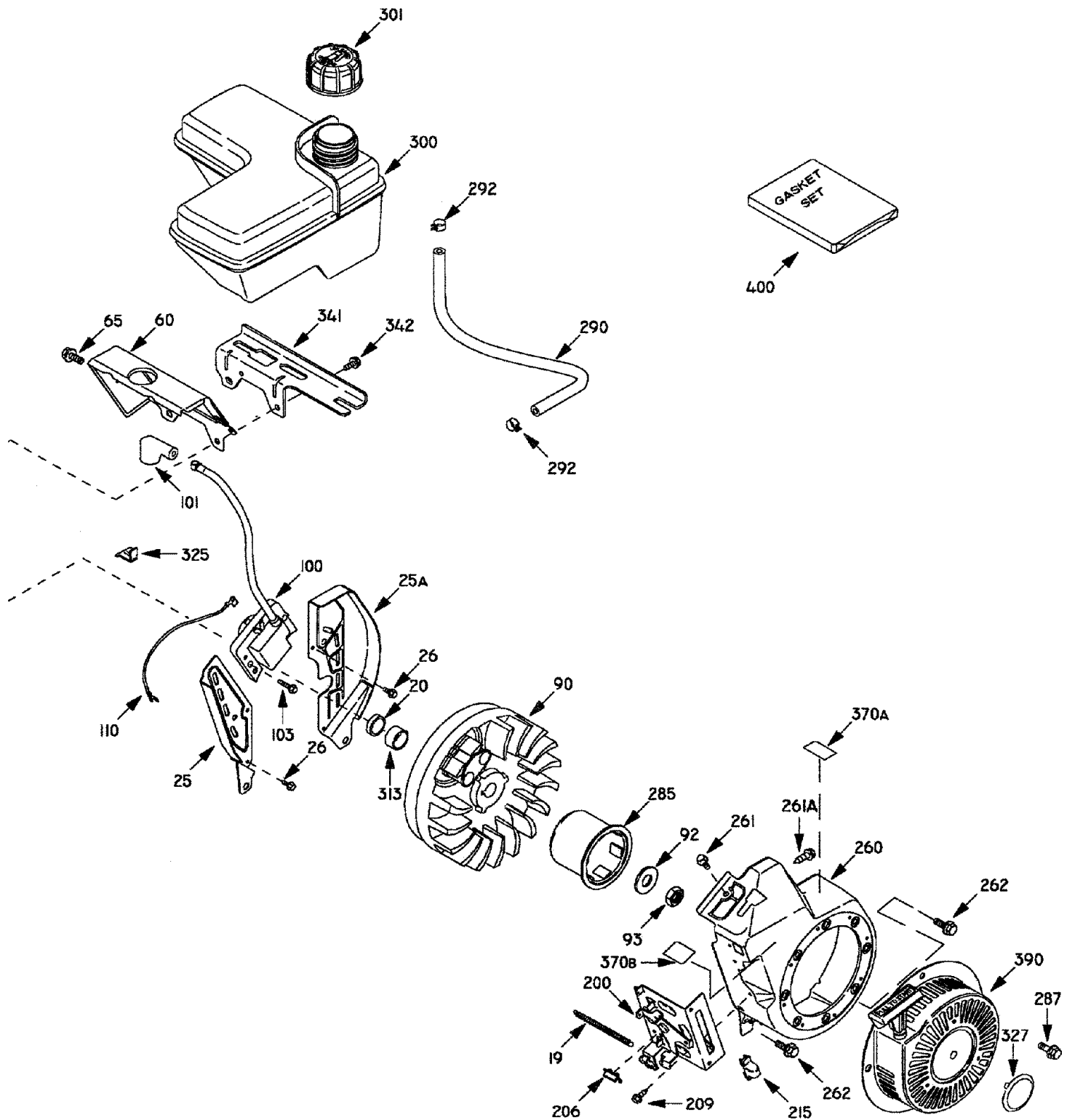
# SEARS CRAFTSMAN 5 H.P. ENGINE MODEL NO. 143.955003

## Repair Parts



# SEARS CRAFTSMAN 5 H.P. ENGINE MODEL NO. 143.955003

## Repair Parts



**SEARS CRAFTSMAN 5 H.P. ENGINE MODEL NO. 143.955003**

**Repair Parts**

KEY NO.	PART NO.	DESCRIPTION	KEY NO.	PART NO.	DESCRIPTION
1	36617	Cylinder (Incl. 2, 20 & 72)	119	36626	Cylinder Head Gasket
2	26727	Dowel Pin	120	36628	Cylinder Head
4	31857	Oil Drain Extension (1/4-18 x 4-1/2")	125	36471	Exhaust Valve (Std.) (Incl. 151)
5	30969	Extension Cap	125	36472	Exhaust Valve (1/32" O.S.) (Incl. 151)
14	28277	Washer	126	29314B	Intake Valve (Std.) (Incl. 151)
15	30589	Governor Rod	126	29315C	Intake Valve (1/32" O.S.) (Incl. 151)
16	36618	Governor Lever			
17	29916	Governor Lever Clamp	130	650912	Screw, 5/16-18 x 1-1/2"
18	650548	Screw, 8-32 x 5/16"	130A	650999	Screw, 5/16-18 x 2-41/64"
19	36639	Extension Spring	135	34645	Resistor Spark Plug (N4C)
20	32600	Oil Seal	150	31672	Valve Spring
25	36621	Air Baffle (Left)	151	31673	Valve Spring Cap
25A	36622	Air Baffle (Right)	153	36649	Push Rod Guide
26	30200	Screw, 10-24 x 9.16"	154	650913	Rocker Arm Stud
28	30322	Lock Nut, 8-32	155	35624A	Rocker Arm
30	36619	Crankshaft	157	650914	Nut, 1/4-28
35	29826	Screw, 10-32 x 3/4"	158	36629	Push Rod
36	29918	Lock Washer	159	35626	Rocker Arm Cover Gasket
37	29216	Lock Nut, 10-32	160	36630	Rocker Arm Cover
38	29642	Retaining Ring	161	651008	Screw, 1/4-20 x 31/64"
40	35544A	Piston, Pin & Ring Set (Std.)	161A	651012	Stud
40	35545A	Piston, Pin & Ring Set. (.010" O.S.)	173	36675	Breather Tube
40	35546	Piston, Pin & Ring Set. (.020" O.S.)	178	650852	Nut, 1/4-20
41	35541	Piston & Pin Ass'y. (Std.) (Incl. 43)	182	650451	Screw, 1/4-20 x 1"
41	35542	Piston & Pin Ass'y. (.010" O.S.) (Incl. 43)	184	26756	Carburetor to Intake Pipe Gasket
41	35543	Piston & Pin Ass'y. (.020" O.S.) (Incl. 43)	185	36631	Intake Pipe
42	35547A	Ring Set (Std.)	200	36637	Control Bracket (Incl. 206 & 215)
42	35548A	Ring Set (.010" O.S.)	206	620973	Terminal
42	35549	Ring Set (.020" O.S.)	207	36632	Throttle Link
43	20381	Piston Pin Retaining Ring	209	650821	Screw, 10-32 x 1/2"
45	32875A	Connecting Rod Ass'y. (Incl. 46 & 49)	215	36638	Control Knob
46	32610A	Connecting Rod Bolt	223	650451	Screw, 1/4-20 x 1"
48	35616	Valve Lifter	224	36581	Intake Pipe Gasket
49	36611	Oil Dipper	238	38820	Screw, 10-32 x 1/2"
50	36676	Camshaft	239	27272A	Air Cleaner Gasket
60	36623	Blower Housing Extension	240	36633	Air Cleaner Body (Incl. 239)
64	650833	Screw, 1/4-20 x 1-3/16"	245	36046	Air Cleaner Filter
65	30200	Screw, 10-24 x 9/16"	245A	36634	Air Cleaner Filter
69	36624	Cylinder Cover Gasket	250	36635	Air Cleaner Cover
70	36625	Cylinder Cover (Incl. 75 thru 83)	251	650886	Wing Nut
72	27642	Oil Drain Plug	252	650821	Screw, 10-32 x 1/2"
75	27897	Oil Seal	260	36636	Blower Housing
80	30574A	Governor Shaft	261	651008	Screw, 1/4-20 x 31/64"
81	30590A	Washer	261A	650821	Screw, 10-32 x 1/2"
82	30591	Governor Gear Ass'y. (Incl. 81)	262	651008	Screw, 1/4-20 x 31/64"
83	36057	Governor Spool	275	36641	Muffler
86	650488	Screw, 1/4-20 x 1-1/4"	277	651009	Screw, Torx T-30, 1/4-20 x 2-9/32"
89	610961	Flywheel Key	278	36674	Spacer
90	611205	Flywheel	279	650852	Nut and Lock Washer
92	650815	Belleville Washer	280	36642	Heat Shield
93	650816	Flywheel Nut	285	35985B	Starter Cup
100	34443A	Solid State Ignition	287	—	Rivet (Can be purchased locally)
101	610118	Spark Plug Cover	290	30705	Fuel Line
103	651007	Screw, Torx T-15, 10-24 x 15/16"	292	26460	Fuel Line Clamp
110	34231	Ground Wire	300	36643	Fuel Tank (Incl. 301)
			301	36246	Fuel Cap
			305	35554	Oil Fill Tube
			307	35499	"O" Ring
			308	36651	Fill Tube Clip
			309	651011	Screw, 10-32 x 5/16"

# SEARS CRAFTSMAN 5 H.P. ENGINE MODEL NO. 143.955003

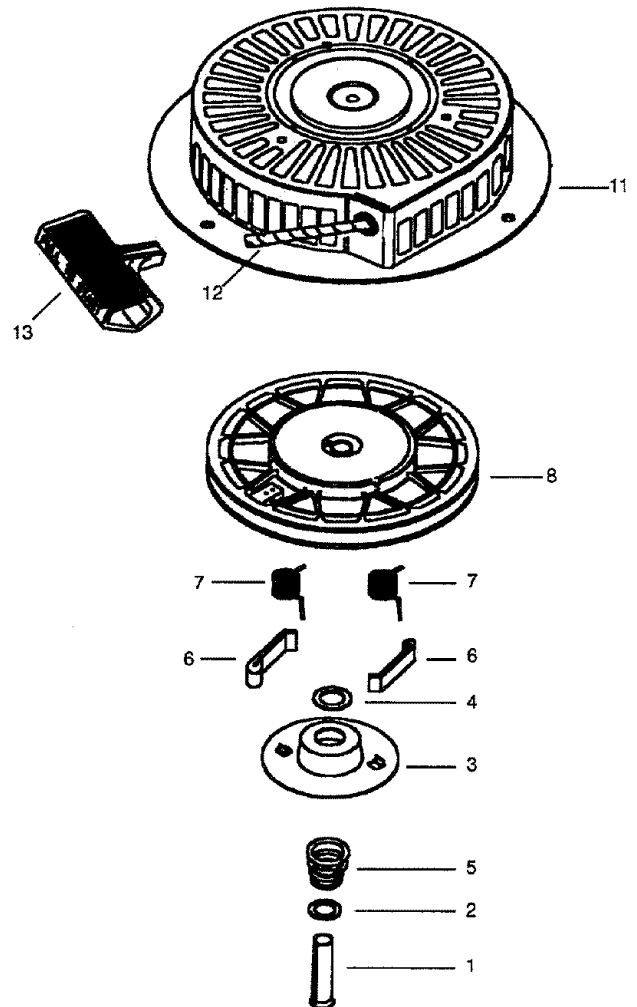
## Repair Parts

KEY NO.	PART NO.	DESCRIPTION	KEY NO.	PART NO.	DESCRIPTION
310	36640	Dipstick	390	590736	Rewind Starter
313	34080	Spacer	400	36627	Gasket Set (Incl. Items Marked PK in Notes)
325	29443	Wire Clip			Incl. (1) each of 26756, 27272A, 29673, 35626, 36526, 36581, 36624, 36626
327	35392	Starter Plug	416	36085	Spark Arrestor Kit (Incl. 417) (Optional)
341	36644	Fuel Tank Bracket	417	650760	Screw, 8-32 x 3/8"
342	651010	Screw, 1/4-20 x 7/8"			
370A	36261	Lubrication Decal			
370B	33107	Speed Control Decal			
380	640004	Carburetor (Incl. 184)			

RPM Setting:  
 High Speed: 3450 to 3750  
 Low Speed: 2000 to 2300

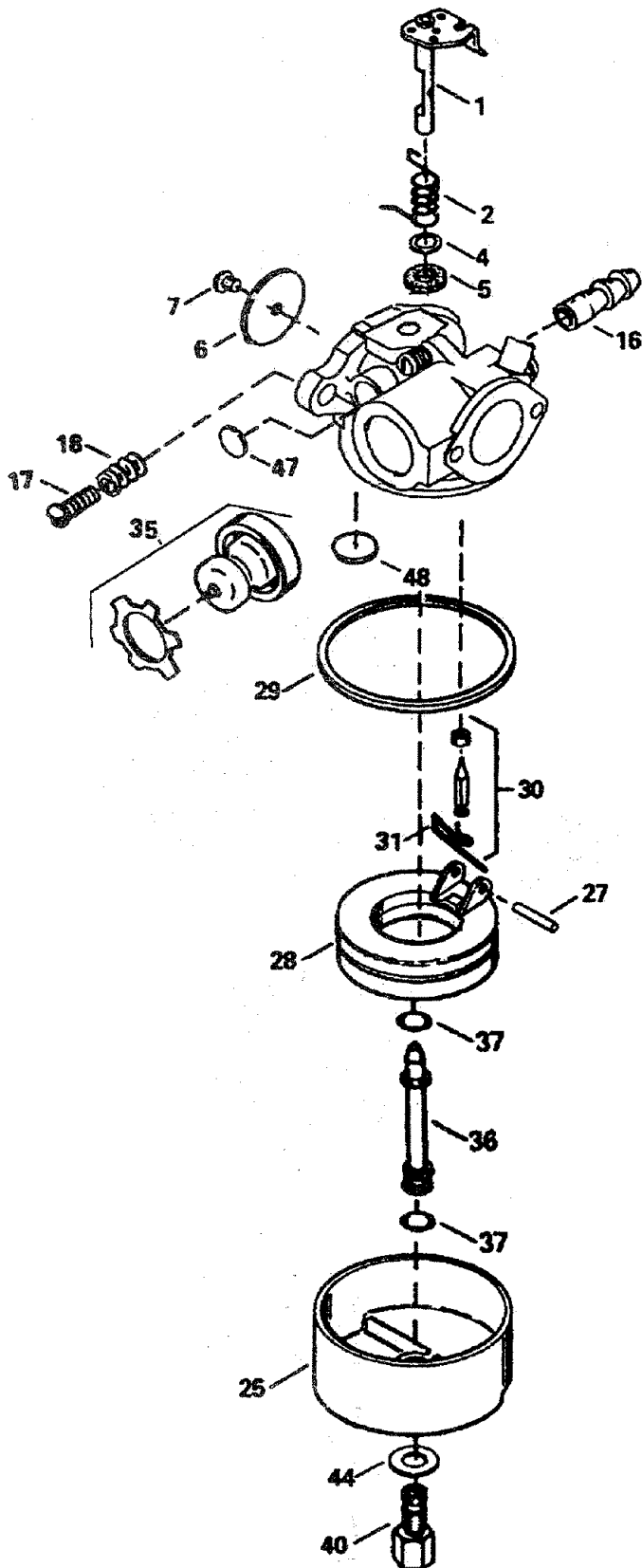
### PARTS LIST FOR RECOIL STARTER

KEY NO.	PART NO.	DESCRIPTION
—	590736	Rewind Starter
1	590599A	Spring Pin (Incl. 4)
2	590600	Washer
3	590696	Retainer
4	590601	Washer
5	590697	Brake Spring
6	590698	Starter Dog
7	590699	Dog Spring
8	590700	Pulley & Rewind Spring Ass'y.
11	590705	Starter Housing Ass'y.
12	590535	Starter Rope (98" x 9/64" Dia.)
13	590701	Starter Handle



SEARS CRAFTSMAN 5 H.P. ENGINE MODEL NO. 143.955003

Repair Parts



PARTS LIST FOR CARBURETOR

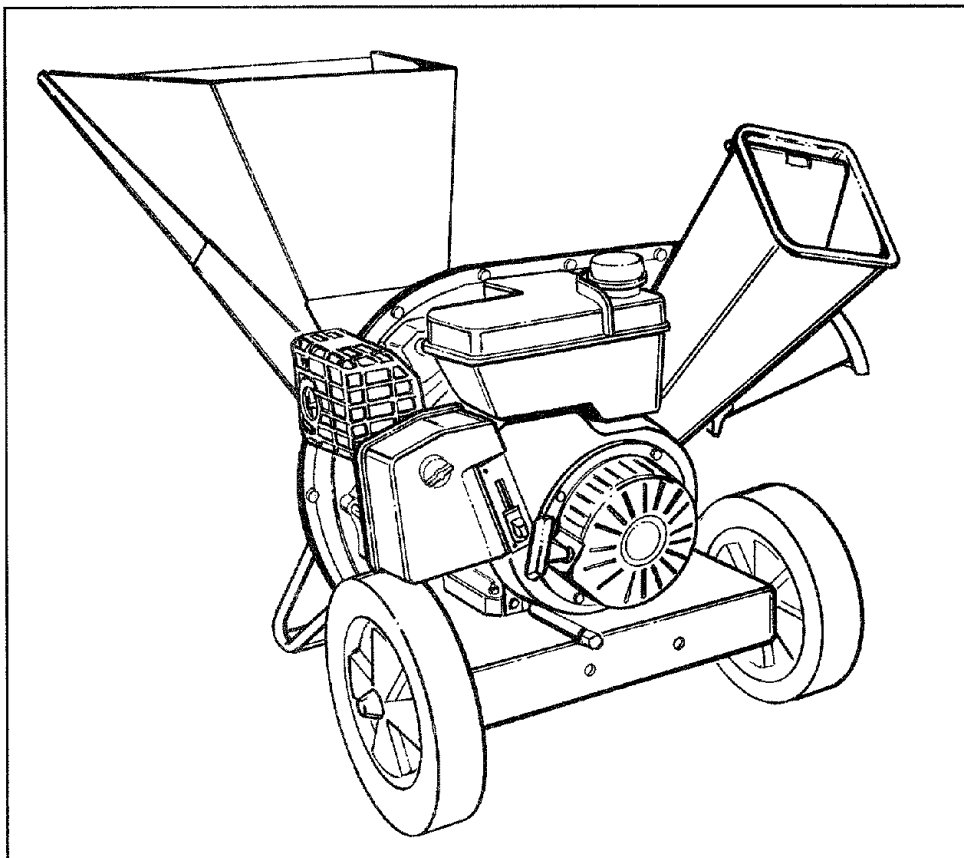
KEY NO.	PART NO.	DESCRIPTION
—	640004	Carburetor (Incl. 184 of Engine Parts List)
1	631615	Throttle Shaft & Lever Assembly
2	631767	Throttle Return Spring
4	631184	Dust Seal Washer
5	631183	Dust Seal (Throttle)
6	640009	Throttle Shutter
7	650506	Shutter Screw
16	632164	Fuel Fitting
17	650417	Throttle Crack Screw/Idle Speed Screw
18	630766	Tension Spring
25	631867	Float Bowl
27	631024	Float Shaft
28	632019	Float
29	631028	Float Bowl "O" Ring
30	631021	Inlet Needle, Seat, and Clip (Incl. 31)
31	631022	Spring Clip
35	36045	Primer Bulb/Retainer Ring
36	640007	Main Nozzle Tube
37	632547	"O" Ring, Main Nozzle Tube
40	640008	High Speed Bowl Nut
44	27110	Bowl Nut Washer
47	630748	Welch Plug, Idle Mixture Well
48	631027	Welch Plug, Atmospheric Vent



**SEARS**  
**MANUAL DEL**  
**PROPIETARIO**

**NUMERO DE**  
**MODELO**  
**247.795850**

**Precaución:**  
Lea y observe  
todas las reglas  
y instrucciones  
de seguridad antes  
de operar este  
equipo



**CRAFTSMAN®**

**5 CABALLOS DE FUERZA**  
**3 ETAPAS DE CORTE**  
**CUBRIDOR DE PAJA Y EMBOLSADOR**  
**PICADORA-DESMENUZADORA**


**Armado**  
**Operación**  
**Responsabilidades del Cliente**  
**Servicio y Ajuste**  
**Piezas de Reparación**

**SEARS, ROEBUCK AND CO., Hoffman Estates, IL 60179 U.S.A.**

# IMPORTANTE

# REGLAS DE SEGURIDAD



ESTE SIMBOLO INDICA INSTRUCCIONES IMPORTANTES PARA SU SEGURIDAD. DEBEN SEGUIRSE RIGUROSAMENTE PARA EVITAR PELIGROS PARA EL OPERADOR Y OTROS. LEA LAS SIGUIENTES INSTRUCCIONES DE ESTE MANUAL ANTES DE INSTALAR EL EQUIPO DE ILUMINACION. FALTA DE OBEDECER ESTAS INSTRUCCIONES PUEDE RESULTAR EN DAÑO PERSONAL. CUANDO VEA ESTE SIMBOLO  PRESTE ATENCION A SU ADVERTENCIA.



**PELIGRO:** Su picadora-desmenzadora fue diseñado para que se opere según las reglas de este manual. Al igual que con cualquier máquina, error o falta de cuidado por parte del operador puede resultar en lesiones serias. El picadora-desmenzadora es capaz de cortar dedos, manos y de arrojar objetos. La falta de atención a las siguientes instrucciones de seguridad puede resultar en lesiones serias o causar la muerte.



## I. OPERACION

- Lea este manual del propietario antes de tratar de ensamblar esta máquina. Lea, comprenda y siga todas las instrucciones de la máquina y del manual antes de la operación. Es necesario familiarizarse con los controles y el uso correcto de la máquina antes de ponerla en funcionamiento. Mantenga este manual en un lugar seguro para poder consultarlo como sea necesario y para hacer el pedido de repuestos.
- Su picadora-desmenzadora es una herramienta muy potente, no un juguete. Por lo tanto, es sumamente importante manejarlo siempre con mucha precaución. Su unidad ha sido diseñada para cumplir dos funciones; para picar y triturar vegetación común de jardines. No la utilice para ninguna otra función.
- No permita que los niños menores de 16 años utilicen la máquina. Niños mayores de 16 años deben operarla solamente bajo la supervisión de un adulto. Solamente personas responsables que saben estas reglas de seguridad deben usar su unidad.
- Mantenga el área de operaciones libre de personas, sobretodo niños pequeños y animales domésticos. Apague el motor cuando se encuentren cerca de la unidad. Mantenga el área de trabajo limpia y libre de ramas u obstáculos que pueden hacer que usted se tropiece o caiga.
- Al alimentar el material a la máquina, tenga mucho cuidado y asegúrese de que no vayan incluidos pedazos de metales, rocas, botellas, latas u otros objetos. Lo contrario puede causar lesiones al operario o daños a la máquina.
- Utilice siempre anteojos de seguridad durante la operación y siempre que efectúe un ajuste o reparación, para proteger los ojos de objetos que pueden ser arrojados por la máquina
- Use zapatos de suela gruesa y pantalones y camisa ajustados que cubran por completo el cuerpo. Es recomendable usar botas o zapatos con puntera de acero. No use ropa suelta ni alhajas y fije el cabello de manera que quede arriba de los hombros ya que se pueden atorar en el aparato. Nunca opere la máquina descalzo, con sandalias o en tenis. Use guantes al alimentar el material al canal del picador o a la tolva del triturador.
- Nunca meta las manos, los pies o cualquier parte del cuerpo en la tolva del triturador, en el canal del picador, en la abertura de descarga o cerca a cualquier pieza en movimiento mientras que el motor este encendido. Manténgase siempre lejos de la abertura de descarga. Si necesita empujar el material en la tolva del triturador o en el canal del picador, use un palo de diámetro pequeño, NO SUS MANOS.
- Si por algún motivo necesita desatranchar el bocatomía de alimentación o las aberturas de descarga, o si necesita inspeccionar o reparar cualquier parte de la máquina en donde una pieza en movimiento puede entrar en contacto con el cuerpo o la ropa, detenga la máquina, permita que se enfríe, desconecte el cable de bujía de la bujía y aléjelo de ésta antes de tratar de desatranchar, inspeccionar o reparar la unidad.
- No opere esta unidad bajo la influencia del alcohol o drogas.
- La máquina debe usarse solamente en terreno plano. Nunca utilice su unidad en una superficie resbalosa, húmeda, lodosa o congelada. Mantenga su área de trabajo limpia sin ramas u obstáculos que lo pueden tropezar o hacer caer. No trate de alcanzar algo desde lejos. Es esencial mantener el equilibrio y los pies firmes para evitar accidentes.
- No permita que se acumule material procesado en la sección de descarga porque puede prevenir la descarga adecuada y puede recular por el canal del picador.
- Mantenga su rostro y cuerpo atrás del canal del picador para evitar el rebote accidental de cualquier material.
- No transporte la máquina mientras el motor este encendido.
- Si el mecanismo de corte golpea un objeto o si su máquina empieza a hacer ruidos o vibraciones extrañas, apague inmediatamente el motor y permita que la máquina se detenga completamente. Desconecte el cable de bujía y aléjelo de la bujía. Siga los siguientes pasos:
  - Inspeccione para ver si hay daños.
  - Repare o reemplace cualquier pieza dañada.
  - Revise que no hayan piezas sueltas y si las hay apriételas para asegurar una operación segura.
- Nunca trate de enganchar o de remover la bolsa de recolección mientras el motor este encendido. Apague el motor y espere a que el impulsor pare por completo. El impulsor sigue girando por unos segundos después de apagar el motor. Nunca coloque ninguna parte del cuerpo en el área del impulsor hasta que este seguro de que éste se haya detenido.
- El silenciador y el motor se calientan y pueden causar quemaduras. No los toque.
- No permita que se acumulen hojas u otros objetos en el silenciador del motor. Los escombros pueden prenderse y causar un incendio.
- No trate de picar o triturar material más grande del especificado en este manual, de lo contrario el operario puede sufrir lesiones o la máquina se puede dañar.
- No opere el motor si el depurador de aire o la tapa sobre el toma de aire del carburador esta quitada, excepto para hacer ajustes. La remoción de tales piezas puede crear un peligro de incendio.
- Use solamente accesorios aprobados por el fabricante para esta máquina. Lea, comprenda y siga las instrucciones proporcionadas con el accesorio aprobado.
- Si ocurren situaciones que no están mencionadas en este manual, tenga mucho cuidado y use su sentido común. Para recibir asistencia, llame a su distribuidor.
- Mantenga el desviador del canal de descarga, la puerta del canal de descarga y todos los otros seguros y accesorios de seguridad en su lugar y en buen funcionamiento.
- Opere la unidad solamente en buena luz del día. No la use durante la noche o en áreas oscuras donde su visión no es adecuada.

## II. NIÑOS

Accidentes trágicos pueden suceder si el operador no está alerta a la presencia de niños pequeños. Los niños a menudo son atraídos por el picadora-desmenuzadora y por la actividad que ejecutan. Nunca suponga que los niños permanecerán en el mismo sitio donde Ud. los vio hace poco.

- Mantenga a los niños lejos del área de trabajo y bajo la supervisión de un adulto además del operador de la máquina.
- Este alerta y apague la unidad si algún niño se acerca al área.
- Nunca permita que niños menores de 16 años utilicen el picadora-desmenuzadora.

## IV. MANTENIMIENTO

- Tenga mucho cuidado con la gasolina y otros tipos de combustibles. Son extremadamente inflamables y los gases son explosivos.
  - Almacene el combustible y el aceite en contenedores adecuados, lejos de fuentes de calor y llamas y lejos del alcance de los niños. Revise y añada el combustible necesario antes de encender el motor. Nunca quite el tapón del tanque o añada combustible mientras de que la máquina se encuentre en funcionamiento. Permita que enfríe el motor por lo menos por dos minutos antes de llenar el tanque.
  - Vuelva a colocar el tapón del tanque de gasolina y limpie la gasolina chorreada antes de encender de nuevo el motor ya que puede causar fuego o una explosión.
  - Apague todos los cigarrillos, puros, pipas y otras fuentes de ignición.
  - Nunca llene el tanque bajo techo porque los gases inflamables se acumularán en el área.
  - Nunca guarde la máquina o el contenedor de combustible bajo techo donde hayan llamas, chispas, calentadores, secadora u horno.

- Nunca use la máquina en un sitio cerrado ya que el escape del motor contiene monóxido de carbono, el cual es un gas venenoso mortal que no tiene olor ni sabor.
- Para reducir el peligro de incendio, mantenga el motor y el silenciador limpio, sin hojas, zacate y otros tipos de residuos. Limpie los derrames de combustible y de aceite. Permita que la unidad enfríe por lo menos por cinco minutos antes de almacenarla.
- Antes de limpiar, reparar o inspeccionar la máquina, asegúrese de que el impulsor y todas las piezas móviles se hayan detenido. Desconecte el cable de bujía y muévelo lejos de la bujía para evitar el arranque accidental. No utilice soluciones inflamables para limpiar el filtro de aire.
- Revise con frecuencia los tornillos de la cuchilla y del motor para asegurarse de que estén bien apretados. También inspeccione la cuchilla para asegurarse de que no esté dañada o desgastada (ex: torcida, rota). Reemplácelas con cuchillas que cumplan con las especificaciones originales de la unidad.
- Mantenga todas las tuercas, pernos y tornillos apretados para asegurar de que el equipo este en buen estado de funcionamiento.
- Nunca descomponga los aparatos de seguridad. Revise el funcionamiento adecuado regularmente.
- Si golpea algún objeto con la máquina, apague inmediatamente el motor, desconecte el cable de bujía e inspeccione completamente la unidad para ver si se ha dañado. Repare el daño antes de encender y utilizar la unidad.
- No cambie ni altere la programación del regulador del motor. El regulador controla la velocidad máxima de operación segura del motor. Un aumento de velocidad es peligroso y causará daños al motor y a otras piezas de la máquina en movimiento.



Manual del Propietario

Etiqueta de Seguridad



### ADVERTENCIA — SU RESPONSABILIDAD

Limite el uso de esta unidad a personas que leen, comprenden y siguen las advertencias e instrucciones de este manual y de la máquina.

**FELICITACIONES** por su compra de una Picadora-Desmenuzadora Craftsman de Sears. Ha sido diseñada, planeada y fabricada par proporcionarle la confiabilidad y rendimiento mejor posible. Si tuviera algún problema que no se pudiera remediar fácilmente, llame a su Centro/Departamento de Servicio Sears más cercano en los Estados Unidos. Tenemos técnicos competentes, bien entrenados y las herramientas adecuadas para servir o reparar esta unidad. Por favor lea y guarde este manual. Las instrucciones le permitirán armar y mantener su picadora-desmenuzadora adecuadamente. Siempre observe las "REGLAS DE SEGURIDAD"

NUMERO DE MODELO <u>247.795850</u> NUMERO DE SERIE _____ FECHA DE COMPRA _____  LOS NUMEROS DE MODELO Y SERIE SE HAL-LARAN EN UN ROTULO PEGADO AL MARCO DE LA PICADORA-DESMENUZADORA USTED DEBERIA REGISTRAR AMBOS, EL NUMERO DE SERIE Y LA FECHA DE COMPRA Y GUARDAR EN UN LUGAR SEGURO PARA REFERENCIA FUTURA.
---

### RESPONSABILIDADES DEL CLIENTE

- Lea y observe las reglas de seguridad.
- Siga un programa regular en mantener, cuidar y usar su picadora-desmenuzadora.
- Siga las instrucciones en las secciones de "Responsabilidades del Cliente" y "Almacenamiento" de este Manual del Propietario.

### ESPECIFICACIONES DEL PRODUCTO

Caballos de fuerza:	5.0
Aceite: Clasificación SF, SG o SH de API	SAE 30 21 onzas
Capacidad de combustible:	3 Cuartos (Sin plomo)
Bujías (Distancia: .030 pul.):	Champion J19LM (o equivalente)

### ACUERDO DE MANTENIMIENTO

Un Acuerdo de Mantenimiento de Sears está disponible para este producto. Llame a su tienda más cercana de Sears para detalles.

**ADVERTENCIA:** Esta unidad está equipada con un motor de combustión interna y no debería usarse en o cerca de cualquier terreno cubierto por bosques no mejorados, cubierto por matorrales o grama a menos que el sistema de escape del motor esté equipado con un retenedor de chispas que cumpla con las leyes aplicables locales o del Estado (de haberlas). Si se usa un retenedor de chispas, debería mantenerse en una condición efectiva de trabajo por el operador.

El Estado de California lo anterior se requiere por ley (Sección 4442 del Código de Recursos Públicos de California). Otros Estados pueden tener leyes similares. Las leyes federales se aplican en los terrenos federales. Un retenedor de chispas para el silenciador está disponible a través de su Centro de Servicio Autorizado de Sears (Vea la sección de PIEZAS DE REPARACION de este manual.)

## GARANTIA

### GARANTIA COMPLETA DE UN AÑO PARA LA PICADORA-DESMENUZADORA A GASOLINA CRAFTSMAN

A partir de un año de la fecha de compra, cuando esta Picadora-Desmenuzadora Craftsman sea mantenida, lubricada y puesta a punto de acuerdo con las instrucciones en el manual del propietario, Sears reparará, gratis, cualquier defecto en materiales y confección.

Esta garantía no incluye cuchillas, cuchillas trituradoras, desgranadoras, filtro de aire, bujías, bolsas recolectoras y neumáticos, ya que son artículos descartables que se desgastan durante uso normal.

Si esta Picadora-Desmenuzadora Craftsman se usa para fines comerciales o de alquiler, esta garantía se aplica por sólo 30 días desde la fecha de compra.

ESTA DISPONIBLE EL SERVICIO DE GARANTIA CONSULTANDO CON ELCENTRO/DEPARTAMENTO DE SERVICIO MAS CERCANO DE SEARS EN LOS ESTADOS UNIDOS. ESTA GARANTIA SE APLICA SOLAMENTE MIENTRAS EL PRODUCTO ESTA EN USO EN LOS ESTADOS UNIDOS.

Esta garantía le proporciona derechos legales específicos, y usted puede tener también otros derechos que pueden variar de Estado a Estado.

SEARS, ROEBUCK AND CO., D/817WA, Hoffman Estates, IL 60179

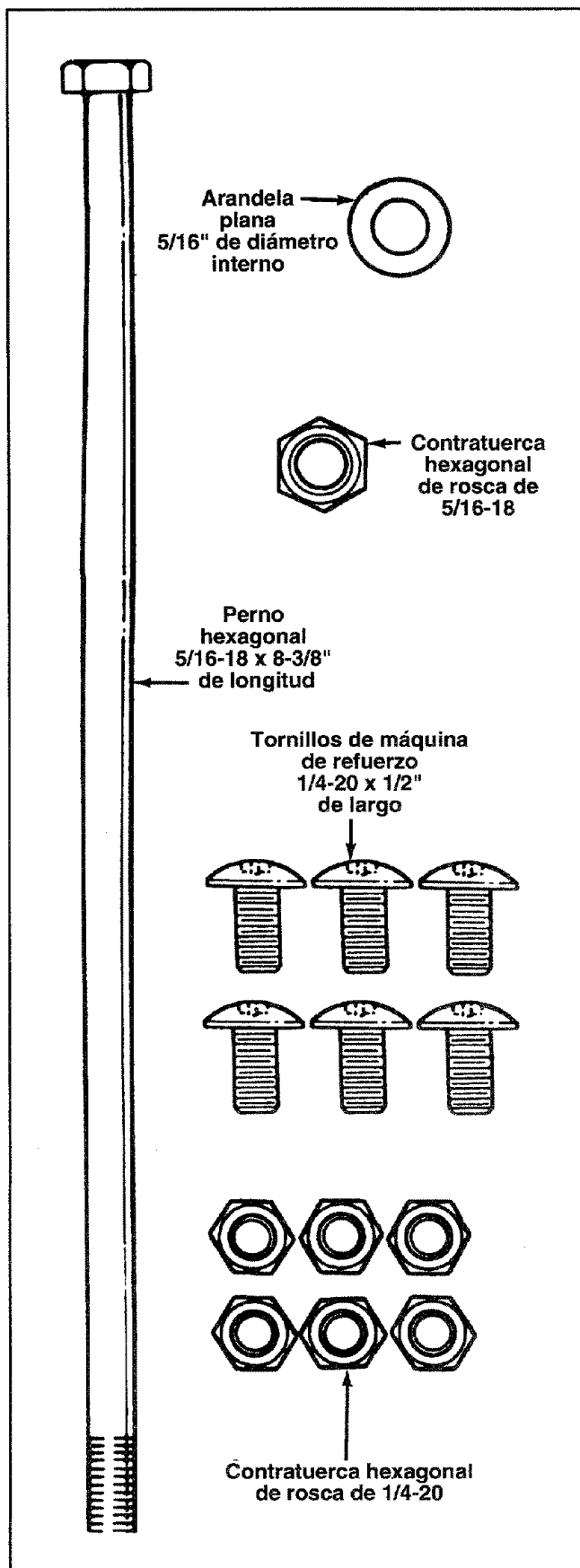


FIGURA 1.



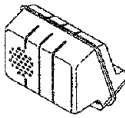



## TABLA DE MATERIAS

REGLAS DE SEGURIDAD .....	2
ESPECIFICACIONES DEL PRODUCTO .....	4
ACUERDO DE MANTENIMIENTO .....	4
RESPONSABILIDADES DEL CLIENTE .....	4
GARANTIA .....	4
ACCESORIOS .....	5
INSTRUCCIONES DE ARMADO .....	6, 7
OPERACION .....	8-12
RESPONSABILIDADES DEL CLIENTE .....	12-14
ALMACENAMIENTO .....	15
SERVICIO Y AJUSTE .....	16, 17
LOCALIZACION DE FALLAS .....	18
COMO ORDENAR PIEZAS DE REPUESTO .....	18

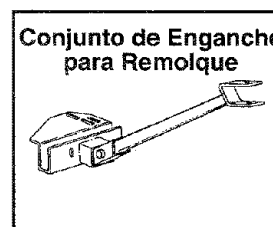
## ACCESORIOS

Estos accesorios estaban disponibles cuando la picadora-desmenuzadora se compró. Están también disponibles en la mayoría de las tiendas minoristas, por catálogo y en los centros de servicio de Sears. La mayoría de las tiendas Sears pueden ordenar esos artículos para usted si informa el número de modelo de su picadora-desmenuzadora.

### MOTOR

Bujía	Filtro de aire	Silen- ciador	Aceite de motor	Lata de gasolina	Estab- ilizador
					

### PICADORA-DESMENUZADORA



# INSTRUCCIONES DE ARMADO

**IMPORTANTE:** Esta unidad se envía SIN GASOLINA O ACEITE. Después del armado, vea la sección de operación de este manual para las recomendaciones del combustible y aceite del motor adecuados.

**NOTA:** Para determinar los lados de mano derecha e izquierda de su picadora-desmenuzadora, colóquese detrás de la máquina con el motor alejado de usted. Ver la figura 6.

## HERRAMIENTAS REQUERIDAS PARA EL ARMADO

- (1) Destornillador Phillips
- (2) Llaves de 1/2" o ajustables
- (2) Llaves de 7/16" o ajustables
- (1) Embudo

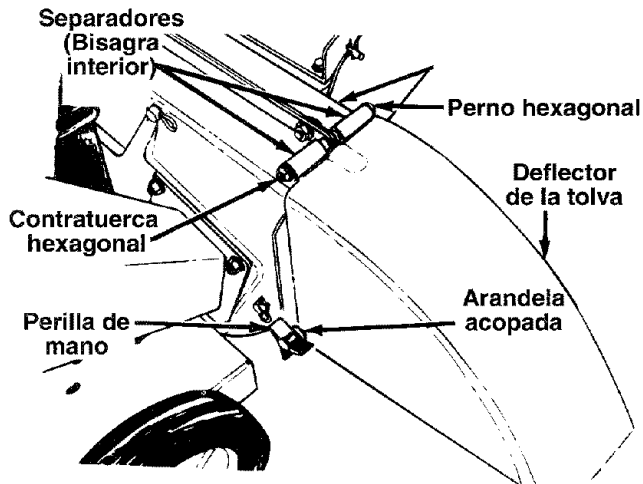


FIGURA 2.

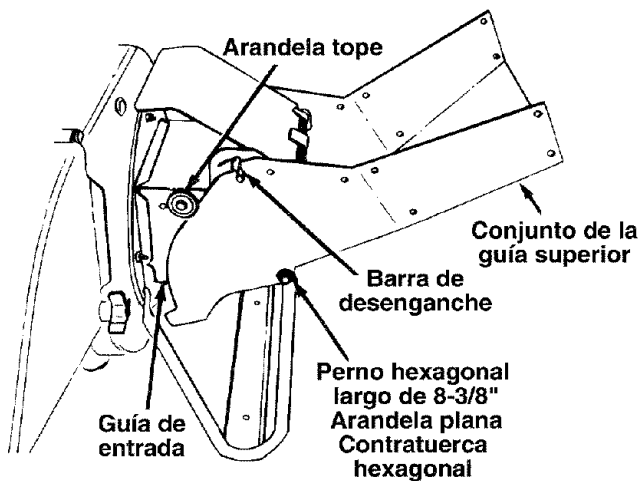


FIGURA 3.

Su picadora-desmenuzadora ha sido completamente armada en la fábrica, excepto por el armado de la tolva (la capucha de la tolva y la sección superior de la rampa de hojas han sido subarmadas), conjunto de la guía superior, deflector de la canaleta y la bolsa colector. Se incluyen también en la caja el paquete de ferretería, los lentes de seguridad y una botella de aceite.

El paquete de ferretería contiene las partes que se muestran en la figura 1 (mostradas en tamaño real).

## PARA EXTRAER LA PICADORA-DESMENUZADORA DE LA CAJA

Corte las esquinas de la caja. Extraiga todos las inserciones de empaque. Ruede la picadora-desmenuzadora fuera de la caja. Asegúrese de que todas las piezas y literatura se hayan sacado antes de disponer de la caja.

## COMO PREPARAR SU PICADORA-DESMENUZADORA



**ASEGURESE DE QUE EL CABLE DE LA BUJIA ESTE DESCONECTADO Y ALEJADO DE LA MISMA ANTES DE ARMAR LA PICADORA-DESMENUZADORA. VEA LA FIGURA 13.**

### SUJETANDO EL DEFLECTOR DE LA CANALETA

- Quite las perillas de mano y arandela acopadas de cada lado de la abertura de descarga en el lado izquierdo de la picadora-desmenuzadora.
- Quite la contratuerca hexagonal, dos separadores y perno hexagonal de adentro de la bisagra en la parte superior de la abertura de descarga. No extraiga un separador del perno hexagonal.
- Coloque el deflector de la canaleta en posición en la abertura de descarga. Inserte el perno hexagonal y separador en la bisagra en el deflector y cubierta de la canaleta (el separador calza dentro de la bisagra). Vea la figura 2.
- Coloque el segundo separador sobre el perno hexagonal, dentro de otra parte de la bisagra. Asegure con la contratuerca hexagonal. Ajuste firmemente.
- Asegure ambos lados del deflector de la canaleta a la cubierta usando las perillas de mano y arandelas acopadas (el lado acopado de las arandelas está ubicado contra el deflector de la canaleta).

### SUJETANDO EL CONJUNTO DE GUIA SUPERIOR

Sujete el conjunto de guía superior por los lados, presione un poco y deslícelo sobre la guía de entrada de manera que los bordes estén debajo de las arandelas de tope. Ajuste de manera que los hoyos del conjunto de guía superior queden alineados con los de la guía de entrada. Inserte el perno hexagonal de 8-3/8" de largo a través del conjunto de la guía superior y la guía de entrada. Asegure con la arandela plana y la contratuerca hexagonal.

**NOTA:** Asegúrese de que el conjunto de guía superior pueda pivotar - levante hasta que quede sujetado en posición elevada. En caso de que no pueda pivotar libremente, afloje el perno hexagonal dando una o dos vueltas.

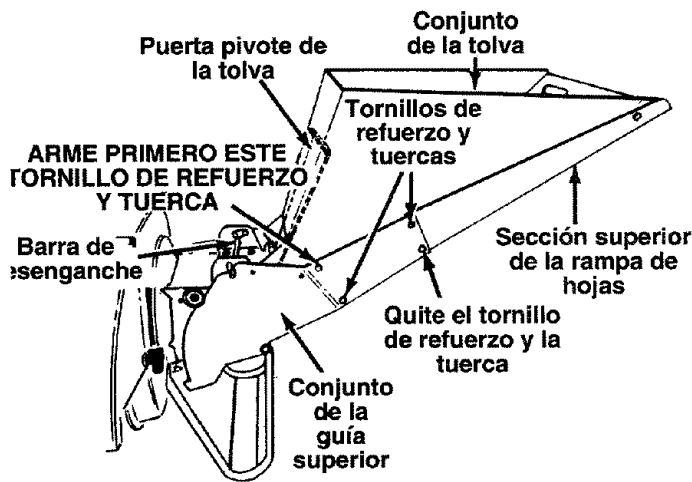


FIGURA 4.

#### SUJETANDO EL CONJUNTO DE LA TOLVA

Su picadora-desmenuzadora ha sido enviada con la sección superior de la rampa de hojas sujeta al conjunto de la tolva. Vea la figura 4. Sujete el conjunto de la tolva al conjunto de la guía superior como sigue. Asegúrese de colocar las cabezas de todos los tornillos de máquina de refuerzo dentro del conjunto de la tolva.

- Saque un tornillo de máquina de refuerzo y tuerca de cada lado del conjunto de la tolva como se muestra en la figura 4. Empuje hacia abajo la puerta pivoteada de la tolva dentro de la parte inferior de la tolva a medida que coloca el conjunto de la tolva (ambas piezas) dentro del conjunto de la guía superior. Vuelva a colocar los tornillos de refuerzo y tuercas recién quitados, usando el orificio que se muestra en la figura 4, uno en cada lado. Ajuste con los dedos solamente.

**NOTA:** Es posible que tenga que presionar los lados de la tolva para poder empezar los tornillos. Si tiene dificultades alineando el hoyo, afloje los dos tornillos en la parte superior de la tolva.

- Coloque los seis tornillos de máquina de refuerzo y tuercas que están en el paquete de ferretería en los orificios restantes del conjunto de la tolva, alternando lados de la unidad y ajustando con los dedos solamente.
- Después de colocar todos los ocho tornillos, ajústelos seguramente.

#### SUJETANDO LA BOLSA COLECTORA

Su picadora-desmenuzadora está equipada con una bolsa colectora para coleccionar el material desmenuzado.

- Para sujetar la bolsa, coloque la abertura de la misma sobre el deflector de la canaleta de tal manera de cubrir completamente la abertura de la misma. Oprima el vástago sobre la cuerda de extracción, y tire de la misma hasta que la bolsa esté ajustada alrededor de la abertura de la canaleta. Libere el vástago para fijarlo en posición.

← Vea la figura 5.

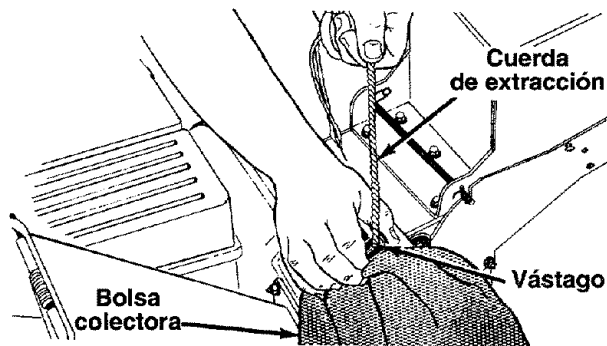


FIGURE 5.

## OPERACION

### CONOZCA SU PICADORA-DESMENUZADORA

LEA ESTE MANUAL DEL PROPIETARIO Y LAS REGLAS DE SEGURIDAD ANTES DE OPERAR SU PICADORA-DESMENUZADORA. Compare las ilustraciones con su picadora-desmenuzadora para familiarizarse con la ubicación de varios controles y ajustes. Guarde este manual para referencia futura.

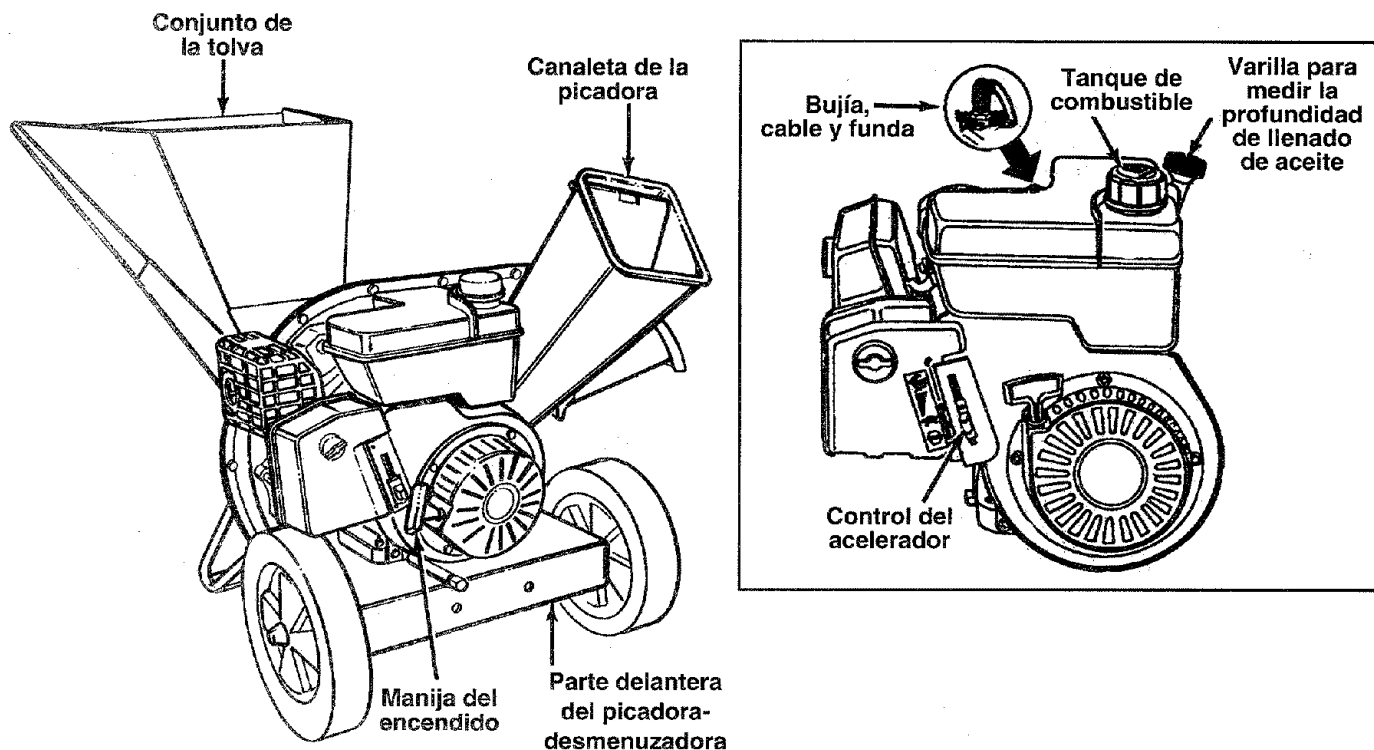


FIGURA 6.

### CUMPLE CON LAS NORMAS DE SEGURIDAD ANSI

Las picadoras-desmenuzadoras de Sears están en conformidad con la norma de seguridad B71.6-1982 del Instituto Americano de Normas Nacionales.

### CONTROLES DE OPERACION

**BARRA DE DESENGANCHE** - Usada para desenganchar la tolva cuando se baja o sube. Vea la figura 6.

**CEBADOR** - Bombea una cantidad de combustible adicional del carburador hacia el cilindro, para ser usado cuando se arranca un motor frío. Vea la figura 14.

**MANIJA DEL ENCENDIDO** - Usada para encender manualmente el motor. Vea la figura 6.

**ACELERADOR** - Permite la regulación de velocidad del motor entre rápido y lento, y usado para detener el motor. Vea las figuras 6 y 13.

ANTES DE USAR SU PICADORA-DESMENUZADORA, REFIERASE NUEVAMENTE A LAS "REGLAS DE SEGURIDAD" INDICADAS EN LA PAGINA 2 DE ESTE MANUAL. SIEMPRE SEA CUIDADOSO.



La operación de cualquier picadora-desmenuzadora puede resultar en que haya objetos extraños proyectados contra los ojos, lo que puede resultar en daños graves a los ojos. Siempre use los lentes de seguridad que están provistos con la picadora-desmenuzadora o protectores de los ojos antes de picar o desmenuzar, o mientras efectuando cualquier ajuste o reparación. Recomendamos la máscara de seguridad Wide Vision para usar sobre los anteojos o lentes normales, disponible en las tiendas al por menor o de catálogo de Sears.



## PARA APAGAR EL MOTOR

- Mueva el acelerador a la posición STOP. Vea la figura 6.
- Desconecte el cable de la bujía y aléjelo de la misma para evitar un arranque accidental mientras el equipo no esté atendido. Vea la figura 6.

## COMO USAR SU PICADORA-DESMENUZADORA

No trate de picar o desmenuzar cualquier material diferente de vegetación que se encuentra en cualquier patio normal (por ej., ramas, hojas, ramitas, etc.).



**ADVERTENCIA: LA PICADORA-DESMENUZADORA DESCARGA MATERIALES A UNA VELOCIDAD CONSIDERABLE. MANTENGASE ALEJADO DEL AREA ALREDEDOR DEL DEFLECTOR DE LA CANALETA. SIEMPRE APAGUE EL MOTOR Y DESCONECTE EL CABLE DE LA BUJIA CUANDO ESTE EN PROCESO DE SACAR O SUJETAR LA BOLSA CUANDO CAMBIE LOS CONTENEDORES O CUANDO EXTRAIGA EL MATERIAL DESMENUZADO. USE LENTES DE SEGURIDAD Y GANTES SIEMPRE QUE USE SU PICADORA-DESMENUZADORA.**

La picadora-desmenuzadora está diseñada para tres métodos diferentes de operación.

- Hojas y ramas pequeñas de hasta 1/2" de diámetro (recomendado) o 1" de diámetro (máximo) pueden alimentarse en el conjunto de la tolva cuando está en la posición elevada. Vea la figura 7. Si fuera necesario empujar el material dentro de la picadora-desmenuzadora use un palo de diámetro pequeño - NO SUS MANOS. El palo debería ser suficientemente pequeño para ser molido si quedara atrapado en el conjunto propulsor.



**ADVERTENCIA: NO PONGA MATERIAL MAS GRANDE QUE 1/2" DE DIAMETRO (RECOMENDADO) O 1" DE DIAMETRO (MAXIMO) DENTRO DEL CONJUNTO DE LA TOLVA. PUEDE ALIMENTARSE A LA CANALETA DE PICADO CON MATERIALES DE HASTA UN MAXIMO DE 3" DE DIAMETRO. NO TRATE DE PICAR O DESMENUZAR CUALQUIER MATERIAL MAS GRANDE QUE 3" DE DIAMETRO. PODRIA RESULTAR EN LESIONES PERSONALES O DAÑOS A LA MAQUINA.**

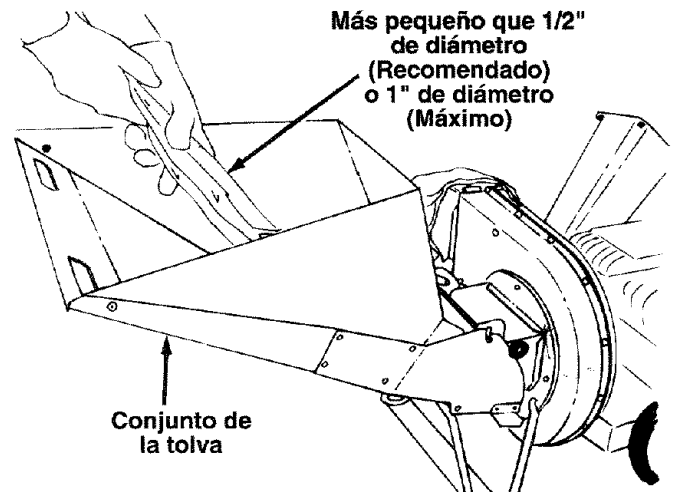


FIGURA 7.

- Pueden rastrillarse hojas y ramitas pequeñas cuando el conjunto de la tolva se baja al nivel del suelo. Vea la figura 8. Ramas pequeñas de hasta 1/2" de diámetro (recomendado) o de 1" de diámetro (máximo) pueden también alimentarse al conjunto de la tolva en esta posición. Vea la figura 9.



FIGURA 8.



FIGURA 9.

- Para bajar el conjunto de la tolva, use una mano para asir al manija en la parte superior del conjunto de la tolva y levántela ligeramente. Tire de al barra de desenganche, y baje el conjunto de la tolva al suelo. Suelte la barra. Vea la figura 10.

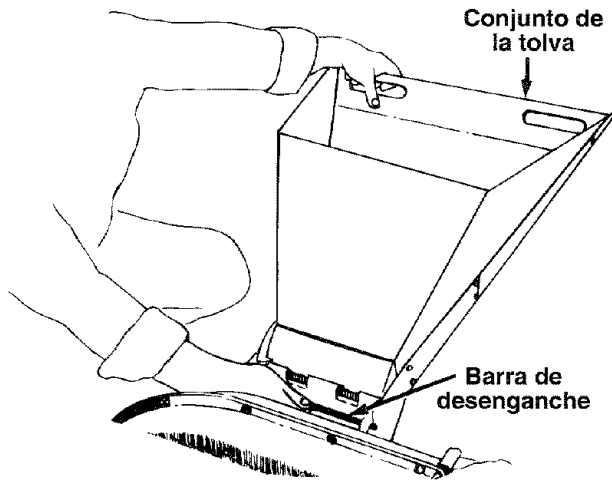


FIGURA 10.

Material voluminosos, tal como tallos o ramas pesadas de hasta 3" de diámetro debería ser alimentado a la canaleta de la picadora. Vea la figura 11.



**ADVERTENCIA: ASEGURESE DE QUE LA PUERTA DE LA CANAleta DE LA PICADORA ESTE CERRADA CUANDO NO SE USA.**

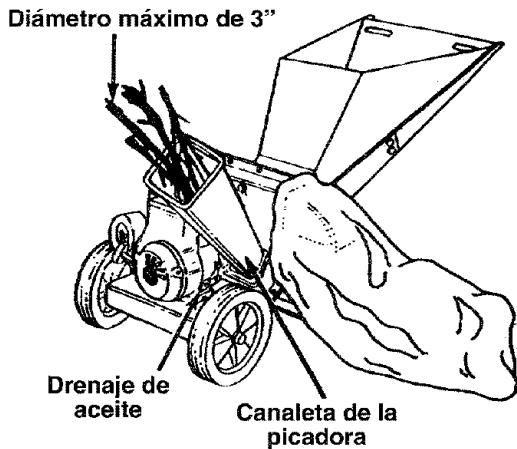


FIGURA 11.

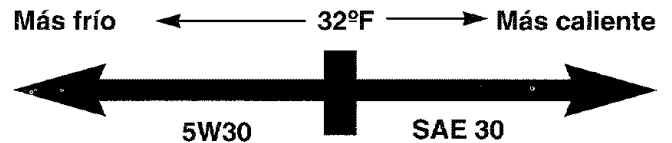
**IMPORTANTE:** Existe una criba de desgranado ubicada dentro de la cubierta en el área de descarga. Si la criba de desgranado se tapona, sáquela y límpiela como se instruye en la Sección de Servicio y Ajustes. Para el mejor rendimiento es importante mantener afiladas la cuchilla de desmenuzar y las cuchillas de picar. Si cambia la composición del material que está siendo descargado (se convierte en tipo encordado, etc.) o disminuye considerablemente la velocidad a la

cual se descarga el material, es posible que la cuchilla de desmenuzar y/o las cuchillas de picar estén desafiladas y tengan que ser afiladas o reemplazadas. Refiérase a la sección de Servicio y Ajuste.

## LLENADO DE GAS Y ACEITE

### ACEITE (INCLUIDO)

Sólo use aceite detergente de alta calidad clasificado con la clasificación de servicio SF, SG o SH de API. Seleccione el grado de viscosidad del aceite de acuerdo con su temperatura esperada de operación.



**NOTA:** A pesar de que los aceites de viscosidad múltiple (5W30, 10W30, etc) mejoran el arranque en tiempo frío, los mismos resultarán en un consumo mayor de aceite cuando se usen a una temperatura mayor de 32°F. Revise su nivel de aceite más frecuentemente para evitar daño posible al motor a causa de funcionar con un nivel bajo de aceite.

- Llène el motor con aceite como sigue. Extraiga la varilla para medir la profundidad de llenado de aceite. Vea la figura 12. Con el nivel de la picadora-desmenuzadora use un embudo para llenar de aceite el motor hasta la marca FULL (LLENO) en la varilla. La capacidad es de 21 onzas aproximadamente. Sea cuidadoso de no sobrellenar. Inclíne la picadora-desmenuzadora hacia la izquierda (desde atrás de la tolva), y coloque nuevamente a nivel. Revise el nivel de aceite. Llène nuevamente a la marca FULL (LLENO) de la varilla si fuera necesario. Vuelva a colocar la varilla y ajuste.

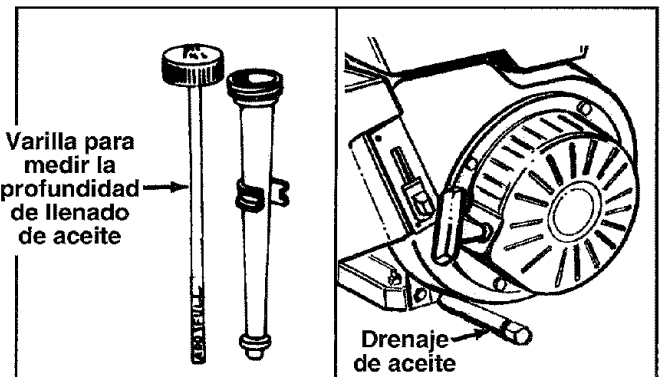


FIGURA 12.

## GAS

- Quite la tapa de combustible y llene el tanque con aproximadamente 4 cuartos de gasolina de automóvil, limpia, fresca, sin plomo, de alto grado. NO USE Etilo o gasolina de alto octano. Asegúrese de que el contenedor esté limpio y libre de óxido o partículas extrañas. Nunca use gasolina que esté rancia por haberse almacenado por un período largo en el contenedor. Vuelva a colocar la tapa de combustible.



**ADVERTENCIA: NO LLENE POR ENCIMA DE 1/2 PULGADA DE DISTANCIA DE LA PARTE SUPERIOR DEL TANQUE DE COMBUSTIBLE PARA EVITAR DERRAMES Y PARA PERMITIR LA EXPANSION DEL COMBUSTIBLE. SI SE DERRAMA GASOLINA ACCIDENTALMENTE, RETIRE LA PICADORA-DESMENUZADORA DEL LUGAR DEL DERRAME. EVITE CREAR CUALQUIER FUENTE DE ENCENDIDO HASTA QUE HAYAN DESAPARECIDO LOS VAPORES DE LA GASOLINA.**

Revise periódicamente el nivel para evitar quedarse sin gasolina cuando esté operando la picadora-desmenuzadora. Si la unidad se queda sin gas mientras está desmenuzando o picando, puede ser necesario desatancar la unidad antes de que pueda encenderse nuevamente. Refiérase a “Extracción del Tamiz de Desgranar” EN LA SECCION DE SERVICIO Y AJUSTE.

**ADVERTENCIA: LA EXPERIENCIA INDICA QUE LOS COMBUSTIBLES MEZCLADOS CON ALCOHOL (LLAMADO GASOHOL O USANDO ETANOL O METANOL) PUEDE ATRAER HUMEDAD LO QUE CONDUCE A LA SEPARACION Y FORMACION DE ACIDOS DURANTE EL ALMACENAMIENTO. EL GAS ACIDOGENO PUEDE DAÑAR EL SISTEMA DE COMBUSTIBLE DE UN MOTOR MIENTRAS ESTA EN ALMACENAMIENTO. PARA EVITAR PROBLEMAS DEL MOTOR, EL SISTEMA DE COMBUSTIBLE DEBE VACIARSE O TRATARSE CON UN ESTABILIZADOR DE COMBUSTIBLE POR 30 DIAS O MAS ANTES DE ALMACENAR. LA PROXIMA TEMPORADA USE COMBUSTIBLE FRESCO. VEA LA SECCION DE “ALMACENAMIENTO” PARA INFORMACION ADICIONAL.**

**NUNCA USE PRODUCTOS DE LIMPIEZA DE MOTOR O CARBURADOR EN EL TANQUE DE COMBUSTIBLE O PUEDE OCURRIR DAÑO PERMANENTE.**

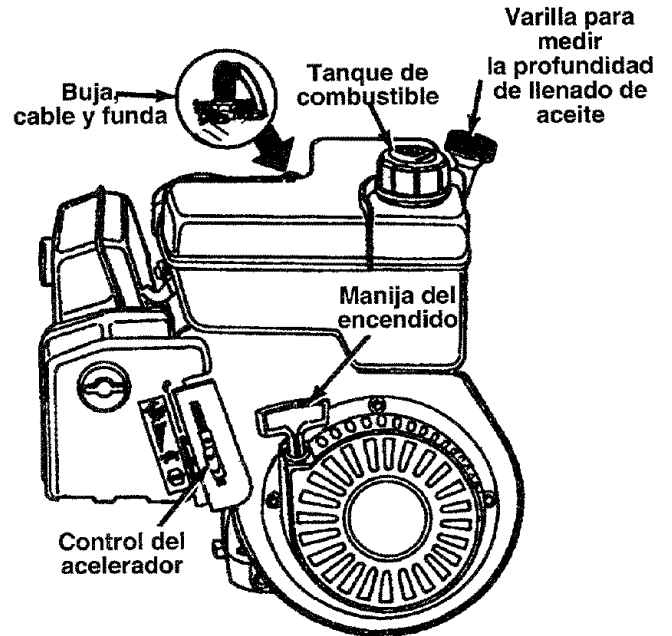


FIGURA 13.

## PARA ENCENDER EL MOTOR



**ADVERTENCIA: ASEGURESE DE QUE NADIE MAS QUE EL OPERADOR ESTE PARADO CERCA DE LA PICADORA-DESMENUZADORA MIENTRAS SE ESTE ENCENDIENDO U OPERANDO. NO OPERE ESTA PICADORA-DESMENUZADORA A MENOS QUE EL DEFLECTOR DE LA CANALETA HAYA SIDO INSTALADO ADECUADAMENTE Y ESTE ASEGURADO CON LAS PERILLAS DE MANO.**

- Si fuera necesario una el cable de la bujía y la funda de goma a la bujía. Vea la figura 13.
- Mueva el acelerador a la posición RÁPIDO (hacia arriba).
- Presione el botón del cebador dos o tres veces antes de la operación de arrancar. Vea la figura 14. Use una presión firme cada vez, espere un poco después de cada presión. En tiempo frío, presione el botón del cebador cinco veces.

**NOTA:** Puede ser necesario tener que aplicar el cebado para volver a encender un motor caliente después de haberlo apagado por un corto período.

- Tome la manija del encendido (vea la figura 13) y tire de la cuerda lentamente hasta que el motor llegue al comienzo del ciclo de compresión (en este punto deberá tirarse de la cuerda un poco más fuerte). Deje que la cuerda se enrolle lentamente.

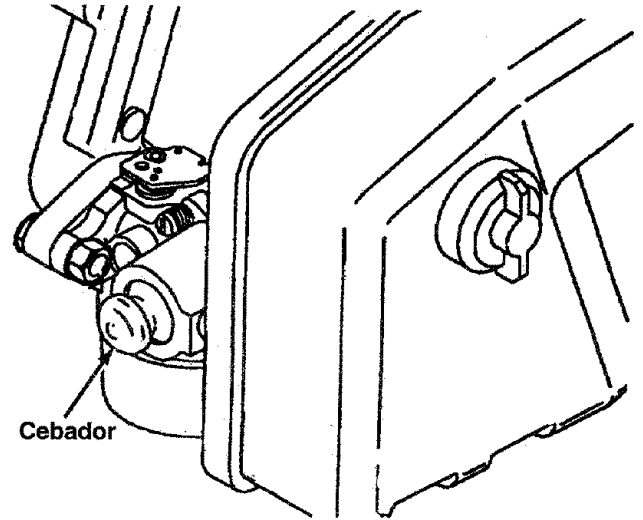
**NOTA:** Se escuchará un ruido cuando se encuentre el comienzo del ciclo de compresión. Este ruido es causado por las desgranadoras y dedos, que son parte del mecanismo de desmenuzamiento, que están colocándose en posición, y debería anticiparse. Además, las desgranadoras y dedos harán ruido después que se encienda el motor, hasta que el impulsor alcance la velocidad máxima.

- Tire de la cuerda con un movimiento del brazo rápido, continuo y pleno. Sujete firmemente la manija de encendido. Permita que la cuerda se enrolle lentamente. No permita que la manija de encendido salte hacia atrás contra el encendido.

**NOTA:** Para prevenir que la máquina se deslice, coloque su pie contra el neumático.

- Repita las dos instrucciones anteriores hasta que el motor dispare.

**NOTA:** Si el motor no dispara después de tres intentos, presione el botón del cebador dos veces y tire de la cuerda otra vez.



**FIGURA 14.**

### PARA APAGAR EL MOTOR

- Posicione el acelerador en STOP. (Hacia abajo)
- Desconecte el cable de la bujía y aléjelo de la misma para evitar un arranque accidental mientras el equipo no esté atendido.

## RESPONSABILIDADES DEL CLIENTE

PROGRAMA DE MANTENIMIENTO ANOTE LAS FECHAS A MEDIDA QUE COMPLETA EL SERVICIO REGULAR		FECHAS DE SERVICIO						FECHAS DE SERVICIO							
		ANTES DE CADA USO	DESPUES DE CADA USO	PRIMERAS CINCO HORAS	CADA 25 HORAS	CADA 50 HORAS	ANTES DE ALMACENAMIENTO								
PRODUCTO	Aceitar los puntos de pivote						✓								
	Limpiar la desmenuzadora		✓				✓								
MOTOR	Verificar el aceite del motor	✓													
	Cambiar el aceite del motor			✓	✓										
	Servicio al filtro de aire				✓										
	Limpiar el cilindro del motor				✓		✓								
	Bujía				✓		✓								
	Silenciador					✓									

✓ REVISAR

## RECOMENDACIONES GENERALES



**ADVERTENCIA: SIEMPRE APAGUE EL MOTOR Y DESCONECTE EL CABLE DE LA BUJIA ANTES DE EFECTUAR CUALQUIER MANTENIMIENTO O AJUSTES.**

- Revise periódicamente todos los remaches y asegúrese de que estén bien ajustados.
- Siga el programa de Mantenimiento de arriba.

## PICADORA-DESMENUZADORA LUBRICACION

Lubrique los puntos de pivote de la barra de desenganche, conjunto de la tolva, deflector de la canaleta y canaleta de la picadora una vez por temporada usando aceite liviano.

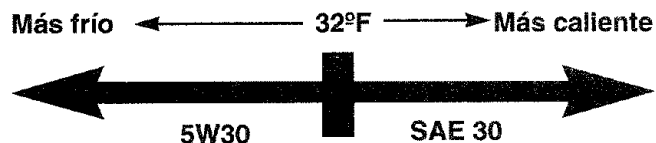
### LIMPIEZA

- La picadora-desmenuzadora puede limpiarse haciendo correr agua de una manguera a través del conjunto de la tolva y canaleta de la picadora con el motor funcionando. Permita que la picadora-desmenuzadora se seque completamente.
- Lave periódicamente la bolsa con agua. Permita que se seque completamente a la sombra. No use calor.

## MOTOR

### ACEITE DEL MOTOR

Sólo use aceite detergente de alta calidad clasificado con la clasificación de servicio SF, SG o SH de API. Seleccione el grado de viscosidad del aceite de acuerdo con su temperatura esperada de operación.



**NOTA:** A pesar de que los aceites de viscosidad múltiple (5W30, 10W30, etc) mejoran el arranque en tiempo frío, los mismos resultarán en un consumo mayor de aceite cuando se usen a una temperatura mayor de 32°F. Revise su nivel de aceite más frecuentemente para evitar daño posible al motor a causa de funcionar con un nivel bajo de aceite.

Su motor de cuatro ciclos consumirá normalmente algo de aceite-por consiguiente, verifique el nivel de aceite regularmente cada cinco horas de operación y antes de cada uso. Apague el motor y espere varios

minutos antes de revisar el nivel de aceite. Con el nivel de la picadora-desmenuzadora el aceite debe llegar hasta la marca FULL (LLENO) en la varilla para medir la profundidad de llenado de aceite (Refiérase a la figura 12). Cambie el aceite del motor después de las primeras cinco horas de operación, y cada veinticinco horas subsecuentemente.

### Para drenar el aceite:

- Drene mientras el motor está caliente.
  - a. Quite el tapón de drenaje de aceite. Refiérase a la figura 12. Recoja el aceite en un contenedor apropiado.
  - b. Cuando se haya drenado el aceite del motor, reemplace seguramente el tapón de drenaje.
- Vuelva a llenar con aceite fresco. Refiérase a la sección de LLENADO DE GAS Y ACEITE.
- Vuelva a colocar la varilla.

### FILTRO DE AIRE

El filtro de aire evita que suciedad, polvo, etc. dañinos penetren en el carburador y sean forzados dentro del motor y es importante para la duración y rendimiento del motor.

**Nunca haga funcionar sin el filtro de aire completamente armado.**

### Para servir el filtro de aire:

De mantenimiento al filtro de espuma después de cada 25 horas de uso o por lo menos una vez durante la estación. De mantenimiento al filtro de espuma y al filtro de papel más a menudo bajo condiciones polvorientas.

- Quite la tuerca mariposa y la tapa. Remueva el filtro de papel. Véa figura 15.
- Remueva e inspeccione a ver si los filtros están descoloridos o sucios. Si es necesario, prosiga del siguiente modo.
- Filtro de Espuma: Limpie y lubrique con aceite cada tres meses o cada 25 horas de operación. Limpie y lubrique diariamente si se utiliza bajo condiciones demasiado polvorientas.
  - Lávelo en una solución de agua con detergente. Apriete (no tuerza) hasta que no salga más tierra.
  - Enjuague bien en agua limpia.
  - Enróllelo en un trapo limpio y escurra (no tuerza) hasta que quede completamente seco.
  - Satúrelo con aceite de motor. Apriete (no tuerza) para distribuir y remover el exceso de aceite.
- Filtro de Papel: Reemplácelo una vez por año o cada 100 horas de operación, o más a menudo si se utiliza bajo condiciones demasiado polvorientas.
- Limpie bien por dentro la base y la tapa.
- Reemplace los filtros de espuma y de papel, asegurándose que el lado del cedazo se encuentre hacia el filtro de papel. Reemplace la tapa y la tuerca mariposa. Apriete bien.

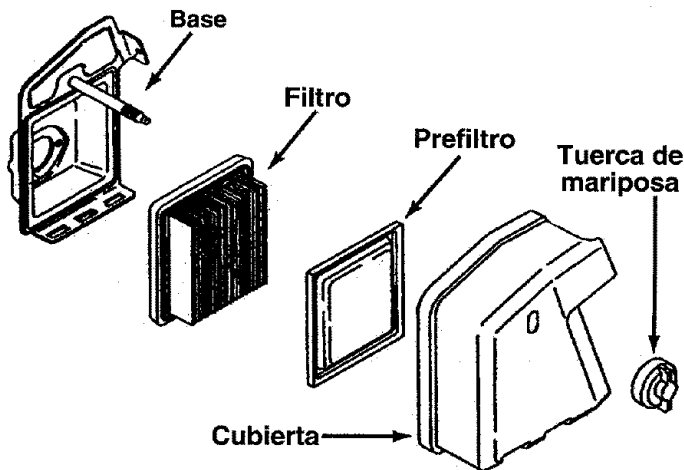


FIGURA 15.

### LIMPIEZA DEL MOTOR

Limpie periódicamente el motor. Quite la suciedad y restos con un trapo o cepillo. No se recomienda limpiar con un rociado enérgico de agua ya que el agua podría contaminar el sistema de combustible. Anualmente o cada 25 horas, cualquiera que ocurra primero, quite la caja del ventilador y limpie las áreas que se muestran en la figura 16, para evitar sobrevelocidad, sobrecalentamiento y daño del motor. Si fuera necesario limpie más a menudo.



**ADVERTENCIA: LIMPIE PERIODICAMENTE EL AREA DEL SILENCIADOR PARA QUITAR TODA LA GRAMA, SUCIEDAD Y RESTOS COMBUSTIBLES.**

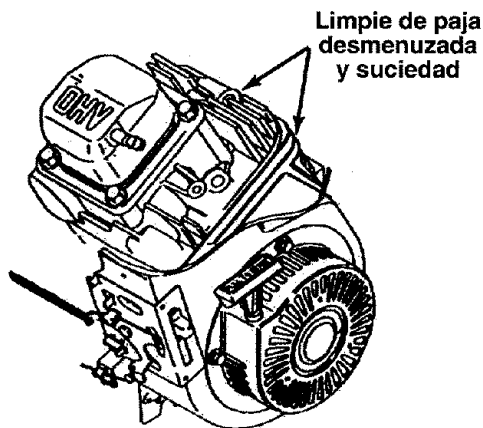


FIGURA 16.

### BUJIA

La bujía debería limpiarse y la distancia fijada nuevamente a .030" por lo menos una vez en la temporada o cada 50 horas de operación. Vea la figura 17. Se recomienda el reemplazo de la bujía al comienzo de cada temporada. Refiérase a la lista de piezas del motor para el tipo correcto de bujía.

**NOTA:** No limpie a chorro de arena la bujía. La bujía debería limpiarse raspándola con un cepillo de alambre o lavándola con un solvente comercial.

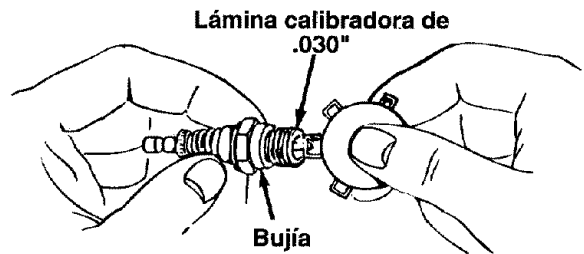


FIGURA 17.

### SILENCIADOR

No opere la picadora-desmenuzadora sin un silenciador o manipulee el sistema de escape. Los silenciadores dañados o retenedores de chispas podrían crear un riesgo de incendio. Inspeccione periódicamente y reemplaza si fuera necesario. Si su motor está equipado con un conjunto de filtro de retenedor de chispas, quítelo cada 50 horas para limpieza e inspección. Reemplázelo si estuviera dañado.

---

# ALMACENAMIENTO

---

Prepare su picadora-desmenuzadora para almacenamiento al final de la temporada o si no se usará la unidad por 30 o más días.



**ADVERTENCIA: NUNCA ALMACENE LA MAQUINA CON COMBUSTIBLE EN EL TANQUE DE COMBUSTIBLE DENTRO DE UN EDIFICIO DONDE LOS VAPORES PUEDEN ALCANZAR A UNA LLAMA O CHISPA, O DONDE ESTEN PRESENTES FUENTES DE ENCENDIDO TALES COMO CALENTADORES DE AGUA CALIENTE Y ESPACIO, HORNOS, SECADORES DE ROPA, COCINAS, MOTORES ELECTRICOS, ETC.**

**NOTA:** Una buena manera de asegurar que su picadora-desmenuzadora proveerá un rendimiento máximo la temporada próxima es una revisión anual en su Centro de Servicio Sears.

## PICADORA-DESMENUZADORA

- Limpie completamente la picadora-desmenuzadora.
- Frote la unidad con un trapo aceitado para evitar la oxidación (use un aceite liviano o siliconas).

## MOTOR

**IMPORTANTE:** ES IMPORTANTE EVITAR QUE SE FORMEN DEPOSITOS DE GOMA SOBRE LAS PARTES ESENCIALES DEL SISTEMA DE COMBUSTIBLES TALES COMO CARBURADOR, FILTRO DE COMBUSTIBLE, MANGUERA DE COMBUSTIBLE, O TANQUE DURANTE EL ALMACENAMIENTO. LA EXPERIENCIA TAMBIEN INDICA QUE QUE LOS COMBUSTIBLES MEZCLADOS CON ALCOHOL (LLAMADO GASOHOL O USANDO ETANOL O METANOL) PUEDE ATRAER HUMEDAD LO QUE CONDUCE A LA SEPARACION Y FORMACION DE ACIDOS DURANTE EL ALMACENAMIENTO. EL GAS ACIDOGENO PUEDE DAÑAR EL SISTEMA DE COMBUSTIBLE DE UN MOTOR MIENTRAS ESTA EN ALMACENAMIENTO.

- Drene el tanque de combustible.
- Encienda el motor y déjelo funcionar hasta vaciar las líneas de combustible y del carburador.

- Nunca use productos limpiadores de motor o carburador en el tanque de combustible ya que puede ocurrir un daño permanente. La próxima temporada use combustible fresco.

**NOTA:** Un estabilizador de combustible es una alternativa aceptable para minimizar la formación de depósitos de goma durante el almacenamiento. Agregue estabilizador a la gasolina en el tanque de combustible o en el contenedor de almacenamiento. Siga siempre la proporción de mezcla indicada en el contenedor del estabilizador. Haga funcionar el motor por 10 minutos por lo menos después de agregar el estabilizador para permitir que el estabilizador llegue al carburador. Si usa el estabilizador de combustible no drene el tanque de gas y el carburador.

- Drene todo el aceite del cárter (esto debería hacerse después que el motor ha funcionado y está todavía caliente) y llene nuevamente el cárter con aceite fresco.
- Proteja el interior del motor como sigue si ha drenado el tanque de combustible. Quite la bujía, vierta 1/2 onza aproximadamente (una cucharada de té aproximadamente) de aceite de motor lentamente dentro del cilindro y cigüeñal para distribuir el aceite. Vuelva a colocar la bujía.

## OTROS

- No almacene gasolina de una temporada para otra.
- Reemplace su lata de gasolina si su lata comienza a oxidarse. Oxido y/o suciedad en su gasolina causará problemas.
- Almacene la unidad en un área limpia, seca. No almacene cerca de materiales corrosivos tales como fertilizantes.

**NOTA:** Si almacena en un galpón de almacenamiento no ventilado o de metal, asegúrese de proteger el equipo contra la oxidación recubriéndolo con un aceite liviano o siliconas.

## SERVICIO Y AJUSTE



**ADVERTENCIA: SIEMPRE APAGUE EL MOTOR Y DESCONECTE EL CABLE DE LA BUJIA Y ALEJELO DE LA BUJIA ANTES DE EFECTUAR CUALQUIER MANTENIMIENTO O AJUSTES.**

### EXTRAYENDO EL TAMIZ DE LA DESGRANADORA

Extraiga el tamiz de la desgranadora y limpie el área si el área de descarga se tapona.

- Apague el motor, asegúrese de que la picadora-desmenuzadora se ha detenido por completo y desconecte el cable de la bujía de la misma antes de desatancar la canaleta.
- Afloje las dos perillas de mano a cada lado del deflector de la canaleta. Eleve el deflector, y amárrelo fuera del paso.
- Saque dos broches de horquilla de los pernos de horquilla los cuales se extienden a través de la cubierta. Quite los pernos de horquilla. Levante el tamiz de la desgranadora desde el interior de la cubierta. Vea la figura 18.
- Limpie el tamiz raspándolo o lavándolo con agua. Vuelva a colocar el tamiz.

**NOTA:** Asegúrese de rearmar el tamiz de la desgranadora con el lado curvo hacia abajo como se muestra en la figura 18.

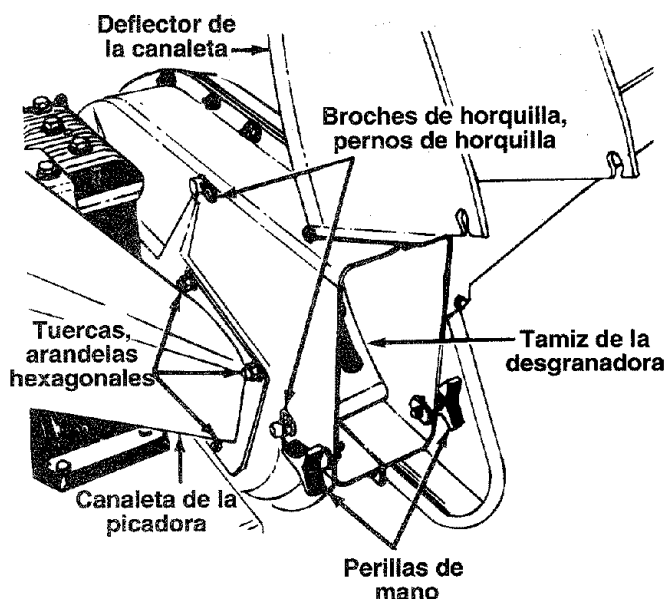


FIGURA 18.

### AFILANDO O REEMPLAZANDO LAS CUCHILLAS

#### CUCHILLAS DE LA PICADORA

- Desconecte el cable de la bujía y aléjelo de la misma.
- Quite el tamiz de la desgranadora como indicado en la sección anterior.
- Quite la canaleta de la picadora sacando tres tuercas y arandelas hexagonales. Se requiere una llave de 1/2". Vea la figura 18.

**NOTA:** La arandela acopada está en el fondo de la canaleta de la picadora con la parte acopada contra la canaleta.

- Rote a mano el conjunto del impulsor hasta que ubique una de las cuchillas de la picadora en la abertura de la canaleta de la picadora. Quite la cuchilla, usando una llave Allen de 3/16" en el exterior de la cuchilla y una llave de 1/2" en el conjunto del impulsor (dentro de la cubierta). Vea la figura 19.
- Quite la otra cuchilla de la misma manera.

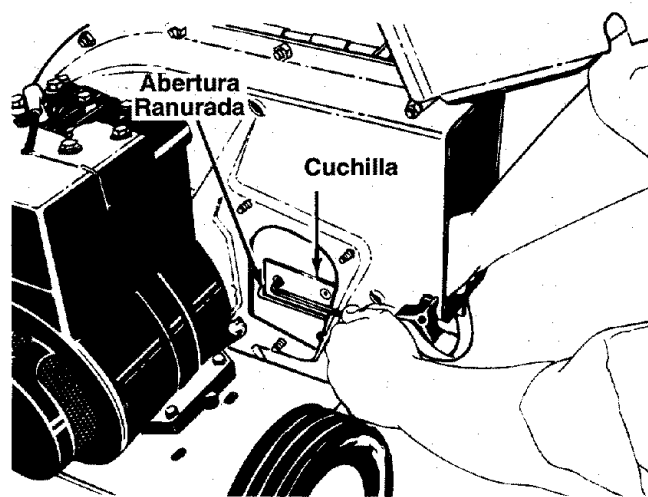


FIGURA 19.

Reemplace o afile las cuchillas. En el caso de afilar asegúrese de quitar una cantidad igual de ambas. Rearme en orden inverso.

Asegúrese de que ciertas cuchillas sean colocadas nuevamente en posición con el borde afilado enfrentando la dirección mostrada en la figura 19 (el borde afilado se arma hacia la abertura ranurada en el conjunto del impulsor).



## CUCHILLA DE DESMENUZAR

Puede retirarse la cuchilla de desmenuzar como sigue.

- Desconecte el cable de la bujía y aléjelo de la misma.
- Baje el conjunto de la tolva. Tapone la cubierta. Vea la figura 20.
- Quite las seis contratuercas y arandelas de seguridad hexagonales de los pernos soldados de la cubierta usando una llave de 1/2". Separe la picadora-desmenuzadora en dos mitades.
- Quite la plancha de respaldo

**NOTA:** Asegúrese, cuando esté rearmando, de que la abertura en la plancha de respaldo enfrente el fondo de la unidad. Puede invertirse la plancha de respaldo para proveer un nuevo borde de corte.

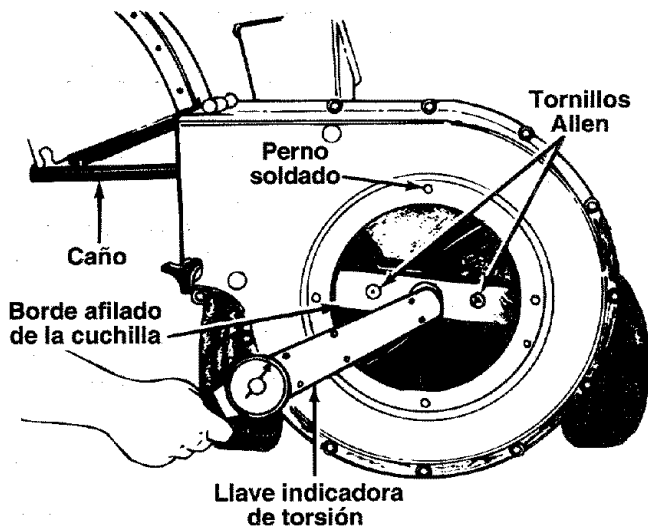


FIGURA 20.

- Afloje las dos perillas de mano y las arandelas acopadas que aseguran el deflector de la canaleta, y levante el mismo.
- Inserte un caño de 1/2" o 3/4" de diámetro a través del tamiz de la desgranadora, dentro del impulsor para evitar que gire, o retire el tamiz de la desgranadora e inserte un trozo de madera (2x4) en la abertura de la canaleta.
- Quite los dos tornillos exteriores de la cuchilla usando una llave Allen de 3/16" y una llave de 1/2".
- Retire la cuchilla sacando el perno central, arandela de seguridad y arandela plana.

**NOTA:** Use precaución cuando retire la cuchilla para evitar contacto con los pernos soldados de la cubierta.

- Cuando esté afilando la cuchilla, siga el ángulo original de esmerilado como guía. Es extremadamente importante que cada borde de corte reciba una cantidad igual de esmerilado para evitar una cuchilla desequilibrada. Una cuchilla desequilibrada causará una vibración excesiva cuando gire a alta velocidad y puede causar daño a la unidad.
- Puede probarse la cuchilla para equilibrio equilibrándola sobre un destornillador redondo de eje o uña. Quite metal del lado pesado hasta que esté equilibrada igualmente. Vea la figura 21.

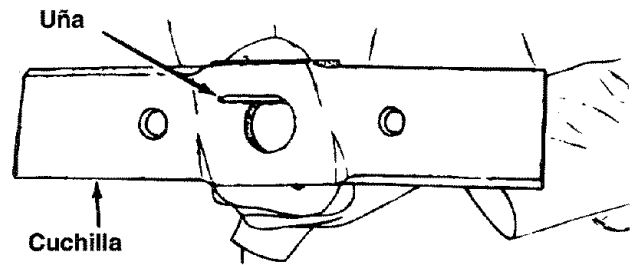


FIGURA 21.

- Ajuste entre 550 y 650 pulgadas libras, cuando rearme la cuchilla, o ajuste seguramente si no tuviera una llave indicadora de torsión.

## DESGRANADORAS

Las desgranadoras ubicadas dentro de la cubierta, pueden ser invertidas cuando pierdan el filo. Se recomienda que este procedimiento sea efectuado por su Departamento de Servicio de Sears más cercano.

## AJUSTE DEL CARBURADOR



**ADVERTENCIA: SI SE EFECTUAN AJUSTES AL MOTOR MIENTRAS ESTA FUNCIONANDO (EJ.: CARBURADOR), MANTENGASE ALEJADO DE TODAS LAS PIEZAS MOVILES. TENGA CUIDADO CON LAS SUPERFICIES CALIENTES Y EL SILENCIADOR.**

## VELOCIDAD DEL MOTOR

La velocidad de su motor ha sido fijada en fábrica. No trate de aumentar la velocidad del motor ya puede resultar en lesiones personales. Si usted cree que el motor está funcionando demasiado rápido o demasiado lento, lleve su picadora-desmenuzadora al Centro de Servicio Sears más cercano para reparar y ajustar.

# LOCALIZACION DE FALLAS

PROBLEMA	CAUSA(S) POSIBLE	ACCION CORRECTIVA
El motor no se enciende	<ul style="list-style-type: none"> <li>● El tanque de combustible está vacío, o combustible rancio.</li> <li>● El cable de la bujía está desconectado.</li> <li>● El motor no ha sido cebado adecuadamente.</li> <li>● El control del regulador no se encuentra en la posición de arranque adecuada.</li> <li>● Bujía defectuosa.</li> </ul>	<ul style="list-style-type: none"> <li>● Llene el tanque con combustible limpio, fresco.</li> <li>● Conecte el cable a la bujía.</li> <li>● Siga las instrucciones para cebar en la sección de operación.</li> <li>● Mueva el control del regulador a la posición FAST.</li> <li>● Limpie, ajuste el espacio o reemplace.</li> </ul>
Pérdida de potencia: operación irregular	<ul style="list-style-type: none"> <li>● El cable de la bujía está flojo.</li> <li>● La línea de combustible está bloqueada o combustible rancio.</li> <li>● Agua o suciedad en el sistema de combustible.</li> <li>● El carburador está desajustado.</li> <li>● Filtro de aire sucio.</li> </ul>	<ul style="list-style-type: none"> <li>● Conecte y ajuste el cable de la bujía.</li> <li>● Limpie la línea de combustible; llene el tanque con gasolina limpia, fresca.</li> <li>● Desconecte la línea de combustible en el carburador para drenar el tanque de combustible. Llene con gasolina fresca.</li> <li>● Ajuste el carburador o llame a su Centro de Servicio Sears.</li> <li>● Sirva el filtro de aire. Vea la sección de Responsabilidades del Cliente de este manual.</li> </ul>
El motor sobrecalienta	<ul style="list-style-type: none"> <li>● El carburador no está ajustado adecuadamente.</li> <li>● Nivel bajo de aceite.</li> </ul>	<ul style="list-style-type: none"> <li>● Llame a su Centro de Servicio Sears.</li> <li>● Llene el cárter con aceite adecuado.</li> </ul>
Demasiada vibración dañado	<ul style="list-style-type: none"> <li>● Piezas sueltas o impulsor.</li> </ul>	<ul style="list-style-type: none"> <li>● Apague inmediatamente el motor y desconecte el cable de la bujía. Ajuste todos los pernos y tuercas. Efectúe todas las reparaciones necesarias. Haga que sirvan la unidad en un Centro de Servicio Sears si la vibración continúa.</li> </ul>
La unidad no descarga	<ul style="list-style-type: none"> <li>● La canaleta de descarga está taponada.</li> <li>● Objeto extraño alojado en el impulsor.</li> </ul>	<ul style="list-style-type: none"> <li>● Apague inmediatamente el motor y desconecte el cable de la bujía. Limpie el tamiz de la desgranadora y el interior de la cubierta del soplador. Vea la sección de Servicio/Ajustes de este manual.</li> <li>● Apague inmediatamente el motor y desconecte el cable de la bujía. Retire el objeto alojado.</li> </ul>
La velocidad de descarga disminuye considerablemente o cambia la composición del material descargado	<ul style="list-style-type: none"> <li>● La cuchilla de desmenuzar y/o las cuchillas de picar están desafiladas.</li> </ul>	<ul style="list-style-type: none"> <li>● Afíle y reemplace las cuchillas de desmenuzar y picar.</li> </ul>

NOTA: Para reparaciones diferentes a los ajustes menores listados arriba, por favor llame a su Centro de Servicio Sears más cercano.

## COMO ORDENAR PIEZAS DE REPUESTO

Cada picadora-desmenuzadora tiene su número propio de modelo. Cada motor tiene su número propio de modelo.

El número de modelo para su picadora-desmenuzadora se encuentra en un rótulo pegado al marco.

El número de modelo del motor se encuentra en la cubierta del soplador del motor.

Todas las piezas listadas aquí pueden ordenarse de los Centros de Servicio de Sears Roebuck and Co. y en la mayoría de las tiendas al por menor.

**CUANDO ORDENE PIEZAS DE REPUESTO SIEMPRE PROPORCIONE LA INFORMACION SIGUIENTE:**

- PRODUCTO - "PICADORA-DESMENUZADORA DE 5 H.P."
- NUMERO DE MODELO -247.795850
- NUMERO DE MODELO DEL MOTOR - 143.955003
- NUMERO DE PIEZA
- DESCRIPCION DE LA PIEZA

Su mercadería de Sears tiene un valor agregado cuando usted considera que Sears tiene unidades de servicio en todo el país con personal técnico entrenado de Sears...técnicos profesionales entrenados específicamente en los productos de Sears, teniendo las piezas, herramientas y el equipo para asegurar que cumplamos con nuestra promesa a usted.." servimos lo que vendemos."

Para las piezas de repuesto, vea el reverso del manual. Las listas de las piezas comienzan en la página 18.

**SI NECESITA SERVICIO DE REPARACIÓN O PARTES:**

**SERVICIO DE REPARACIÓN**  
1-800-4-REPAIR  
1-800-473-7247

**PARA ORDENAR PARTES**  
1-800-FON PART  
1-800-366-7278

## Free Manuals Download Website

<http://myh66.com>

<http://usermanuals.us>

<http://www.somanuals.com>

<http://www.4manuals.cc>

<http://www.manual-lib.com>

<http://www.404manual.com>

<http://www.luxmanual.com>

<http://aubethermostatmanual.com>

Golf course search by state

<http://golfingnear.com>

Email search by domain

<http://emailbydomain.com>

Auto manuals search

<http://auto.somanuals.com>

TV manuals search

<http://tv.somanuals.com>