

**SEARS**

OWNERS  
MANUAL

MODEL NO.  
315.111450

CAUTION:  
Read Rules for  
Safe Operation  
and Instructions  
Carefully

SAVE THIS  
MANUAL FOR  
FUTURE REFERENCE



**CRAFTSMAN<sup>®</sup>**

3/8 INCH

CORDLESS DRILL

SINGLE-SPEED - REVERSIBLE

Introduction  
Operation



Designed exclusively for and sold only by  
SEARS, ROEBUCK AND CO., Dept 698/731A, Sears Tower, Chicago, IL 60684

612547-606  
10.89

#### **FULL ONE YEAR WARRANTY ON CRAFTSMAN CORDLESS DRILL**

If this Craftsman Cordless Drill fails to give complete satisfaction within one year from the date of purchase, **RETURN IT TO THE NEAREST SEARS STORE THROUGHOUT THE UNITED STATES** and Sears will replace it, free of charge.

If this cordless drill is used for commercial or rental purposes this warranty applies for only 90 days from the date of purchase.

This warranty gives you specific legal rights, and you may also have other rights which vary from state to state.

SEARS, ROEBUCK AND CO  
DEPT. 698/731A  
SEARS TOWER  
CHICAGO, IL 60684

### **IMPORTANT SAFETY RULES FOR POWER TOOLS**

**▲WARNING: DO NOT ATTEMPT TO OPERATE THIS TOOL UNTIL YOU HAVE READ THOROUGHLY AND UNDERSTAND COMPLETELY ALL INSTRUCTIONS, SAFETY RULES, ETC. CONTAINED IN THIS MANUAL. FAILURE TO COMPLY CAN RESULT IN ACCIDENTS INVOLVING FIRE, ELECTRIC SHOCK, OR SERIOUS PERSONAL INJURY. SAVE OWNERS MANUAL AND REVIEW FREQUENTLY FOR CONTINUING SAFE OPERATION, AND INSTRUCTING POSSIBLE THIRD-PARTY USER.**

#### **READ ALL INSTRUCTIONS**

1. **KNOW YOUR POWER TOOL** — Read owner's manual carefully. Learn its applications and limitations as well as the specific potential hazards related to this tool.
2. **GUARD AGAINST ELECTRICAL SHOCK BY PREVENTING BODY CONTACT WITH GROUNDED SURFACES.** For example: Pipes, radiators, ranges, refrigerator enclosures.
3. **KEEP WORK AREA CLEAN.** Cluttered areas and benches invite accidents.
4. **AVOID DANGEROUS ENVIRONMENT.** Don't use power tool in damp or wet locations or expose to rain. Keep work area well lit.
5. **KEEP CHILDREN AWAY.** All visitors should wear safety glasses and be kept a safe distance from work area. Do not let visitors contact tool or extension cord.
6. **STORE IDLE TOOLS.** When not in use, tools should be stored in a dry, high or locked-up place — out of the reach of children.
7. **DON'T FORCE TOOL.** It will do the job better and safer at the rate for which it was designed.
8. **USE RIGHT TOOL.** Don't force small tool or attachment to do the job of a heavy duty tool. Don't use tool for purpose not intended — for example — Don't use a circular saw for cutting tree limbs or logs.
9. **WEAR PROPER APPAREL.** No loose clothing or jewelry to get caught in moving parts. Rubber gloves and non-skid footwear are recommended when working outdoors. Also, wear protective hair covering to contain long hair.
10. **USE SAFETY GLASSES** with all tools. Also face or dust mask if operation is dusty.
11. **SECURE WORK.** Use clamps or a vise to hold work. It's safer than using your hand and it frees both hands to operate tool.
12. **DON'T OVERREACH.** Keep proper footing and balance at all times. Do not use where support is unstable.
13. **MAINTAIN TOOLS WITH CARE.** Keep tools sharp at all times, and clean for best and safest performance. Follow instructions for lubricating and changing accessories.

#### **RULES FOR SAFE OPERATION (CONTINUED)**

14. **REMOVE ADJUSTING KEYS AND WRENCHES.** Form habit of checking to see that keys and adjusting wrenches are removed from tool before turning it on.
15. **NEVER USE IN AN EXPLOSIVE ATMOSPHERE.** Normal sparking of the motor could ignite flammable liquids, gases or fumes.
16. **KEEP HANDLES DRY, CLEAN, AND FREE FROM OIL AND GREASE.** Always use a clean cloth when cleaning. Never use brake fluids, gasoline, petroleum-based products, or any strong solvents to clean your tool.
17. **STAY ALERT.** Watch what you are doing and use common sense. Do not operate tool when you are tired. Do not rush.
18. **CHECK DAMAGED PARTS.** Before further use of the tool, a guard or other part that is damaged should be carefully checked to determine that it will operate properly and perform its intended function. Check for alignment of moving parts, binding of moving parts, breakage of parts, mounting, and any other conditions that may affect its operation. A guard or other part that is damaged should be properly repaired or replaced by an authorized service center.
19. **DO NOT USE TOOL IF SWITCH DOES NOT TURN IT ON AND OFF.** Have defective switches replaced by authorized service center.
20. **DRUGS, ALCOHOL, MEDICATION.** Do not operate tool while under the influence of drugs, alcohol, or any medication.
21. **CUTTING, DRILLING, OR DRIVING SCREWS INTO ELECTRICAL WIRING IN WALLS, CEILINGS, OR OTHER AREAS CAN CAUSE BLADE, BIT, OR CHUCK TO BECOME ELECTRICALLY LIVE.** Grasp only the insulated handle(s) or plastic housing when using the tool.
22. **WEAR HEARING PROTECTION DURING EXTENDED PERIODS OF OPERATION.**

#### **IMPORTANT SAFETY RULES FOR BATTERY TOOLS**

23. Battery tools do not have to be plugged into an electrical outlet, therefore they are always in operating condition. Be aware of possible hazards when not using your battery tool or when changing accessories.
24. **USE ONLY THE CHARGER PROVIDED WITH YOUR BATTERY TOOL.** Do not substitute any other charger. Use of another charger could cause batteries to explode causing possible serious injury.
25. **DO NOT PLACE BATTERY TOOLS OR THEIR BATTERIES NEAR FIRE OR HEAT.** They may explode.
26. **DO NOT CHARGE BATTERY TOOL IN A DAMP OR WET LOCATION.**
27. Your battery tool should be charged in a location where the temperature is more than 50°F but less than 100°F.
28. Under extreme usage or temperature conditions, battery leakage may occur. If liquid comes in contact with your skin, wash immediately with soap and water, then neutralize with lemon juice or vinegar. If liquid gets in your eyes, flush them with clean water for at least 10 minutes, then seek immediate medical attention.
29. If carrying your battery tool at your side, make sure it is not running and your finger is not on the switch. Avoid accidental starting.
30. **SECURE WORK** before applying power. **NEVER** hold workpiece in your hand or across your legs.
31. **SAVE THESE INSTRUCTIONS.** Refer to them frequently and use them to instruct third party user. If you loan someone this tool, loan them these instructions also.


## IMPORTANT SAFETY INSTRUCTIONS FOR CHARGER

1. **SAVE THESE INSTRUCTIONS.** This manual contains important safety and operating instructions for battery charger Part Number 999555-007.
2. Before using battery charger, read all instructions and cautionary markings in this manual, on battery charger, and product using battery charger.
3. **CAUTION:** To reduce risk of injury, charge only nickel-cadmium type rechargeable batteries. Other types of batteries may burst causing personal injury and damage.
4. Do not expose charger to rain or snow.
5. Use of an attachment not recommended or sold by the battery charger manufacturer may result in a risk of fire, electric shock, or injury to persons.
6. To reduce risk of damage to charger body and cord, pull by charger body rather than cord when disconnecting charger.
7. Make sure cord is located so that it will not be stepped on, tripped over, or otherwise subjected to damage or stress.
8. An extension cord should not be used unless absolutely necessary. Use of improper extension cord could result in a risk of fire and electric shock. If extension cord must be used, make sure:
  - a. That pins on plug of extension cord are the same number, size and shape as those of plug on charger.
  - b. That extension cord is properly wired and in good electrical condition; and
  - c. That wire size is large enough for AC ampere rating of charger as specified below:

| AWG Size of Cord/Length of Cord, Feet |    |    |     |     |
|---------------------------------------|----|----|-----|-----|
| Feet                                  | 25 | 50 | 100 | 150 |
| AWG                                   | 18 | 18 | 18  | 16  |

9. **DO NOT OPERATE CHARGER WITH A DAMAGED CORD OR PLUG.** If damaged, have replaced immediately by a qualified serviceman.
10. Do not operate charger if it has received a sharp blow, been dropped, or otherwise damaged in any way; take it to a qualified serviceman.
11. Do not disassemble charger; take it to a qualified serviceman when service or repair is required. Incorrect reassembly may result in a risk of electric shock or fire.
12. To reduce risk of electric shock, unplug charger from outlet before attempting any maintenance or cleaning. Turning off controls will not reduce this risk.
13. Do not use charger outdoors.
14. Disconnect charger from power supply when not in use.

### **CAUTION:**



The operation of any Power Tool can result in foreign objects being thrown into your eyes, which can result in severe eye damage. Before commencing power tool operation, always wear safety goggles or safety glasses with side shields and a full face shield when needed. We recommend Wide Vision Safety Mask for use over spectacles or standard safety glasses with side shields, available at Sears Catalog Order or Retail Stores.

# OPERATION

## KNOW YOUR DRILL

See Figure 1.

Before attempting to use your drill, familiarize yourself with all operating features and safety requirements.

If any parts are missing do not operate your drill until the missing parts are replaced.

**WARNING: DO NOT ALLOW FAMILIARITY WITH YOUR DRILL TO MAKE YOU CARELESS. REMEMBER THAT A CARELESS FRACTION OF A SECOND IS SUFFICIENT TO INFLICT SEVERE INJURY.**

**WARNING: ALWAYS WEAR SAFETY GOGGLES OR SAFETY GLASSES WITH SIDE SHIELDS WHEN OPERATING YOUR DRILL. FAILURE TO DO SO COULD RESULT IN OBJECTS BEING THROWN INTO YOUR EYES, RESULTING IN POSSIBLE SERIOUS INJURY.**

## CHARGING YOUR DRILL

Your drill has been shipped in a low charge condition to prevent possible problems. Therefore, you should charge it at least 5 hours prior to use.

**NOTE:** Your drill will not reach full charge the first time it is charged. Allow several cycles (drilling followed by recharging) for your drill to become fully charged.

## TO CHARGE

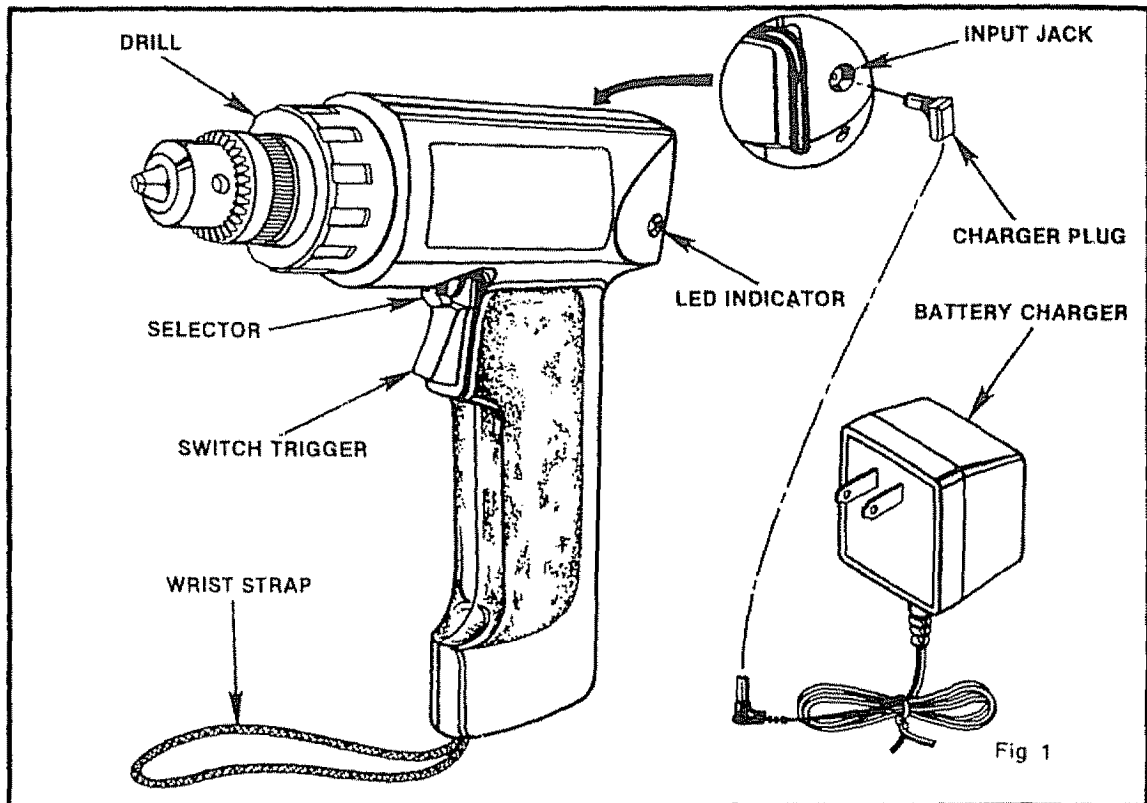
1. Connect charger to your drill by inserting charger plug into input jack. **NOTE:** As shown in Figure 1, input jack is located at the rear of tool.
2. **Charger can be used with normal house voltage of 110-120 volts, 60 Hz. AC only.**
3. Connect charger to power supply.

**NOTE:** The LED Indicator, which is located above the switch, will light up when charger is properly connected to power supply. This light indicates your drill is charging and will remain on until charger is disconnected from power supply.

**NOTE:** Do not operate your drill while it is connected to the charger. The driving ability of your drill will not increase.

**NOTE:** After normal usage, your drill usually requires 3 hours of charging time to be fully charged.

**CAUTION:** YOUR DRILL CONTAINS SPECIAL HIGH TEMPERATURE BATTERIES TO HELP PREVENT BATTERY DAMAGE WHEN LEFT ON CHARGE FOR EXTENDED PERIODS OF TIME. HOWEVER, ONCE THE BATTERIES OF YOUR DRILL BECOME FULLY CHARGED, WE RECOMMEND THAT YOU UNPLUG YOUR CHARGER FROM POWER SUPPLY THEN DISCONNECT THE CHARGER FROM YOUR DRILL.



Page 5

## OPERATION (Cont.)

### BATTERIES

Your drill is equipped with 5 nickel-cadmium rechargeable batteries. Length of service from each charging will depend on the type of work you are doing.

The nickel-cadmium batteries in this tool have been designed to last for the life of the unit under normal operating conditions. Therefore, do not disassemble your drill and attempt to replace them. Handling of these batteries, especially when wearing rings and jewelry, could result in a serious burn.

### WRIST STRAP

A wrist strap is provided to reduce the chances of dropping your drill. Place one hand through wrist strap when carrying your drill. See Figure 4.

### SWITCH

The switch on your drill is designed for single speed drilling. For normal drilling operation, depress the switch trigger all the way.

### REVERSIBLE

Your drill has the feature of being reversible. The direction of rotation is controlled by a selector located above the switch trigger. See Figure 2. With your drill held in normal operating position, the direction of rotation selector should be positioned to the left of the switch for drilling. The drill direction is reversed when the selector is to the right of the switch. When the selector is in center position, the switch trigger is locked.

**CAUTION:** TO PREVENT GEAR DAMAGE, ALWAYS ALLOW THE CHUCK ON YOUR DRILL TO COME TO A COMPLETE STOP BEFORE CHANGING THE DIRECTION OF ROTATION.

To stop your drill, release switch trigger and allow your drill to come to a complete stop.

**WARNING:** BATTERY TOOLS ARE ALWAYS IN OPERATING CONDITION. THEREFORE, SWITCH SHOULD ALWAYS BE LOCKED WHEN NOT IN USE OR CARRYING AT YOUR SIDE.

**NOTE:** To lock switch trigger, place the direction of rotation selector in center position. See Figure 2.

### CHUCK KEY

A chuck key has been packed with your drill for use when installing or removing bits. It is also used when removing the chuck. See Figure 3.

### CHUCK KEY STORAGE

When not in use, the chuck key can be placed in the storage area located on the back of your drill. See Figure 3.

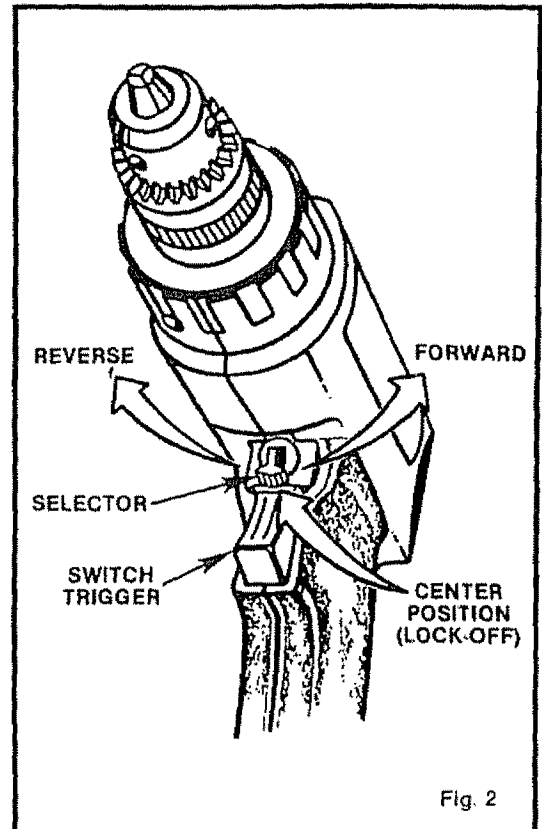


Fig. 2

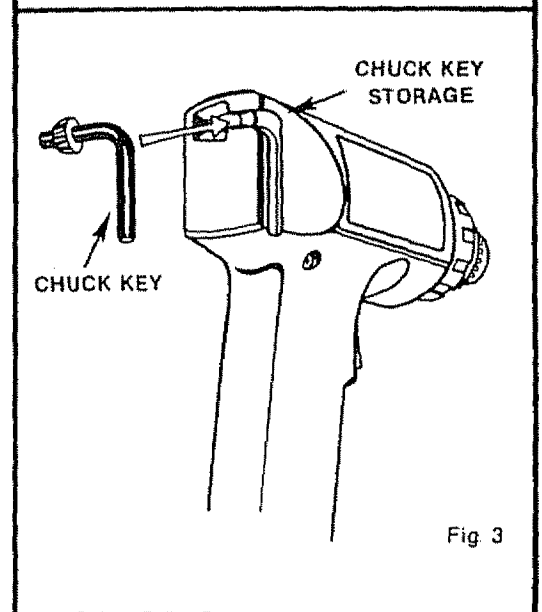
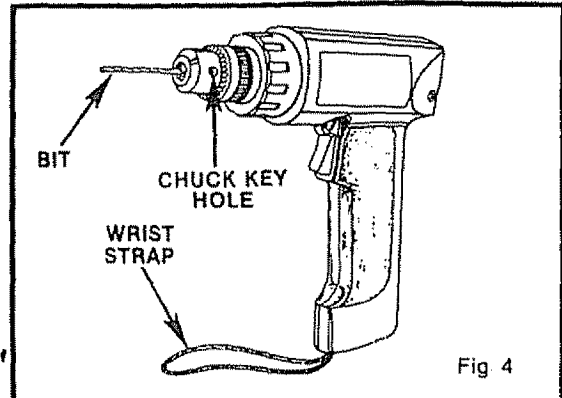


Fig. 3

# OPERATION (Cont.)

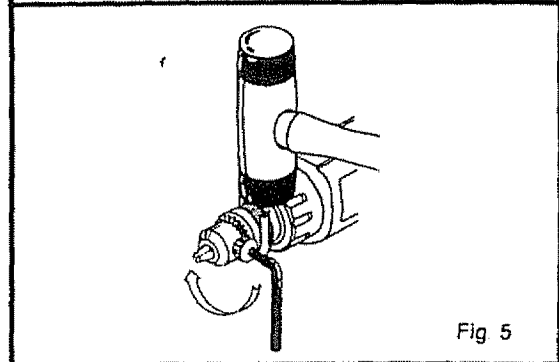
## INSTALLING BITS

- 1 Lock switch trigger on your drill by placing the direction of rotation selector in center position.
- 2 Close chuck jaws to a point where the opening is slightly larger than the bit size you intend to use.
- 3 Insert your drill bit into chuck the full length of the jaws as shown in Figure 4.
- 4 Remove chuck key from chuck key storage. See Figure 3.
- 5 Tighten chuck jaws by placing chuck key in each of the three holes, and tighten in a clockwise direction. **DO NOT USE A WRENCH TO TIGHTEN OR LOOSEN THE CHUCK.**
- 6 Remove the chuck key and return to chuck key storage.



## REMOVING BITS

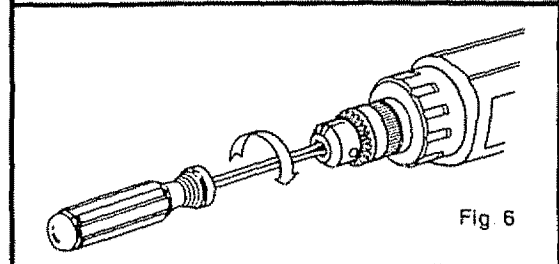
- 1 Lock switch trigger on your drill by placing the direction of rotation selector in center position.
- 2 Remove chuck key from chuck key storage. See Figure 3.
- 3 Loosen chuck jaws using the chuck key. **DO NOT USE A WRENCH TO TIGHTEN OR LOOSEN THE CHUCK.**
- 4 Remove drill bit from chuck jaws.
- 5 Remove chuck key and return to chuck key storage.



## CHUCK REMOVAL

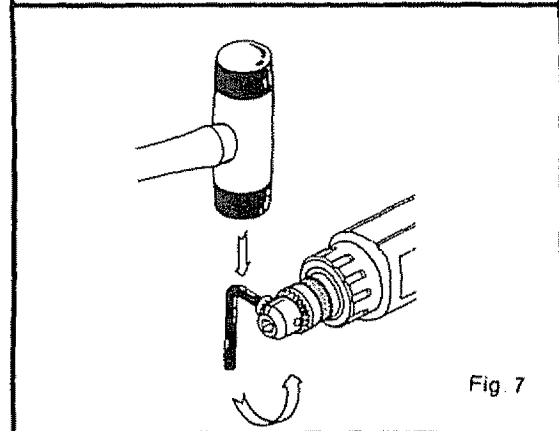
The chuck must be removed in order to use some accessories. To remove:

- 1 Lock switch trigger on your drill by placing the direction of rotation selector in center position.
- 2 Remove chuck key from chuck key storage. See Figure 3.
- 3 Close the chuck jaws. Insert chuck key into chuck and tap sharply with a mallet in a clockwise direction as shown in Figure 5.
- 4 Open the chuck jaws and remove the chuck screw by turning it in a clockwise direction. See Figure 6. **NOTE: The chuck screw has left hand threads.**
- 5 Insert the chuck key in chuck and tap sharply in a counterclockwise direction to loosen it on spindle. It can now be unscrewed by hand. See Figure 7.
- 6 Return chuck key to chuck key storage.



The chuck may become loose on spindle and develop a wobble. Also, the chuck screw may become loose causing the chuck jaws to bind. This will prevent them from closing. To tighten, follow these steps:

- 1 Lock switch trigger on your drill by placing the direction of rotation selector in center position.
- 2 Open the chuck jaws.
- 3 Insert chuck key in chuck and tap with a mallet in a clockwise direction.
- 4 Tighten the chuck screw. **NOTE: The chuck screw has left hand threads.**



## OPERATION (Cont.)

**⚠WARNING: ALWAYS WEAR SAFETY GOGGLES OR SAFETY GLASSES WITH SIDE SHIELDS WHEN OPERATING YOUR DRILL. FAILURE TO DO SO COULD RESULT IN OBJECTS BEING THROWN INTO YOUR EYES, RESULTING IN POSSIBLE SERIOUS INJURY.**

### DRILLING

The material to be drilled should be secured in a vise or with clamps to keep it from turning as the drill bit rotates.

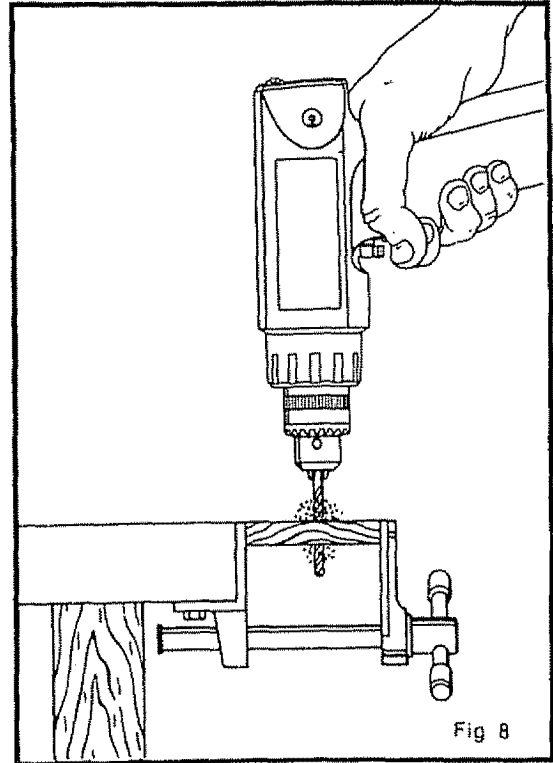
Hold your drill firmly and place the bit at the point to be drilled. Depress the switch trigger to start your drill.

Move the drill bit into the workpiece applying only enough pressure to keep the bit cutting. Do not force your drill or apply side pressure to elongate a hole. Let your drill and bit do the work. See Fig. 8.

**⚠WARNING: BE PREPARED FOR BREAK-THROUGH. DRILL BIT HAS A TENDENCY TO GRAB AND KICK IN THE OPPOSITE DIRECTION WHEN BREAKING THROUGH MATERIAL.**

When drilling metals use a light oil on the drill bit to keep it from overheating. The oil will prolong the life of the bit and increase the drilling action.

If the bit jams in workpiece or if the drill stalls, release switch trigger immediately. Remove the bit from the workpiece and determine the reason for jamming.





# MAINTENANCE

## GENERAL

Avoid using solvents when cleaning plastic parts. Most plastics are susceptible to various types of commercial solvents and may be damaged by their use. Use clean cloths to remove dirt, dust, oil, grease, etc.

**▲WARNING: DO NOT AT ANY TIME LET BRAKE FLUIDS, GASOLINE, PETROLEUM-BASED PRODUCTS, PENETRATING OILS, ETC. COME IN CONTACT WITH PLASTIC PARTS. THEY CONTAIN CHEMICALS THAT CAN DAMAGE, WEAKEN OR DESTROY PLASTICS.**

**▲WARNING: DO NOT ATTEMPT TO MODIFY THIS TOOL OR CREATE ACCESSORIES NOT RECOMMENDED FOR USE WITH THIS TOOL. ANY SUCH ALTERATION OR MODIFICATION IS MISUSE AND COULD RESULT IN A HAZARDOUS CONDITION LEADING TO POSSIBLE SERIOUS PERSONAL INJURY.**

# ACCESSORIES

THE FOLLOWING RECOMMENDED ACCESSORIES ARE CURRENT AND WERE AVAILABLE AT THE TIME THIS MANUAL WAS PRINTED.

5-Pc. Power Screwdriver Bit Set  
Cat. No. 9 25602

No. 2 Phillips/8-10 Slotted, 2 Ea  
Cat. No. 9 25603

No. 3 Phillips/6-8 Slotted, 2 Ea  
Cat. No. 9 25604

7-Pc. Screwdriver Bit Set and Case  
Cat. No. 9 2565

Doweling Jig  
Cat. No. 9 4186

13-Pc. Power Screwdriver/Nutdriver Set and Case  
Cat. No. 9 25653

30-Pc. Power Screwdriver/Nutdriver Set and Case  
Cat. No. 9 25654

7-Pc. Power Nutdriver Bit Set  
Cat. No. 9 25655

17-Pc. Power Screwdriver/Nutdriver Set and Case  
Cat. No. 9 25657

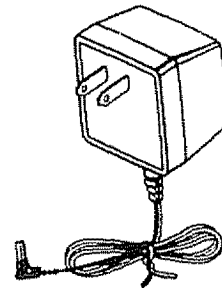
High Speed Bits (For Wood or Metal) ... 3/8" Max.

Hole Square  
Cat. No. 9 2596

**▲CAUTION:** The use of attachments or accessories not listed might be hazardous.

## REPLACEMENT PARTS WHEN SERVICING USE ONLY IDENTICAL REPLACEMENT PARTS

| Part Number | Description     |
|-------------|-----------------|
| 999555-007  | Battery Charger |







**SEARS**

OWNERS  
MANUAL

SERVICE

MODEL NO.  
315.111450

HOW TO ORDER  
REPAIR PARTS

**CRAFTSMAN**

3/8 INCH  
CORDLESS DRILL  
SINGLE-SPEED  
REVERSIBLE

Now that you have purchased your Drill, should a need ever exist for repair parts or service, simply contact any Sears Service Center and most Sears, Roebuck and Co. stores. Be sure to provide all pertinent facts when you call or visit.

The model number of your Drill will be found on the plate attached to the motor housing.

WHEN ORDERING REPAIR PARTS, ALWAYS GIVE THE FOLLOWING INFORMATION:

- PART NUMBER
- PART DESCRIPTION
- MODEL NUMBER  
315 111450
- NAME OF ITEM  
Cordless Drill

All parts listed may be ordered from any Sears Service Center and most Sears stores.

If the parts you need are not stocked locally, your order will be electronically transmitted to a Sears Repair Parts Distribution Center for handling.

SEARS, ROEBUCK AND CO Dept 698/731A, Sears Tower, Chicago, IL 60684

## Free Manuals Download Website

<http://myh66.com>

<http://usermanuals.us>

<http://www.somanuals.com>

<http://www.4manuals.cc>

<http://www.manual-lib.com>

<http://www.404manual.com>

<http://www.luxmanual.com>

<http://aubethermostatmanual.com>

Golf course search by state

<http://golfingnear.com>

Email search by domain

<http://emailbydomain.com>

Auto manuals search

<http://auto.somanuals.com>

TV manuals search

<http://tv.somanuals.com>