

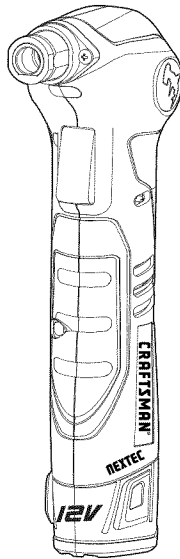
# Operator's Manual



## NEXTEC HAMMERHEAD™

# 12.0-VOLT LITHIUM-ION CORDLESS AUTO-HAMMER

Model No. 320. 61352



**⚠ WARNING:** To reduce the risk of injury, the user must read and understand this Operator's manual before using this product.

- Warranty
- Safety
- Assembly
- Operation
- Maintenance

**Sears, Roebuck and Co., Hoffman Estates, IL 60179 U.S.A.**

[www.craftsman.com](http://www.craftsman.com)

## TABLE OF CONTENTS

Warranty	Page 2
Safety Symbols	Page 3
Safety Instructions	Pages 5-10
Description	Pages 11-12
Assembly	Page 12
Operation	Pages 13-16
Maintenance	Page 17
Troubleshooting	Page 17
Exploded View and Parts List	Pages 18-19
Sears Repair Parts Phone Number	Back Cover

### ONE YEAR FULL WARRANTY ON CRAFTSMAN® TOOL

If this Craftsman tool fails to give complete satisfaction within one year from the date of purchase, return it to any Sears store or parts & repair center or other craftsman outlet in the United States for free repair (or replacement, if repair proves impossible).

This warranty does not include expendable parts such as lamps, batteries, bits, or blades.

This warranty applies for only 90 days from the date of purchase if this product is ever used for commercial or rental purposes.

This warranty gives you specific legal rights, and you may also have other rights which vary from state to state.

Sears, Roebuck and Co., Hoffman Estates IL 60179

## INTRODUCTION

### SAVE THESE INSTRUCTIONS

This Auto-Hammerr has many features for making its use more pleasant and enjoyable. Safety, performance, and dependability have been given top priority in the design of this product making it easy to maintain and operate.

**▲ WARNING:** Some dust created by using power tools contains chemicals known to the state of California to cause cancer and birth defects or other reproductive harm.

## SAFETY SYMBOLS

The purpose of safety symbols is to attract your attention to possible dangers.

The safety symbols, and the explanations with them, deserve your careful attention and understanding. The symbol warnings do not, by themselves, eliminate any danger. The instructions and warning they give are no substitutes for proper accident prevention measures.

**▲ WARNING:** Be sure to read and understand all safety instructions in this manual, including all safety alert symbols such as “DANGER,” “WARNING,” and “CAUTION” before using this Auto-Hammer. Failure to following all instructions listed below may result in electric shock, fire, and/or serious personal injury.

### SYMBOL SIGNAL MEANING

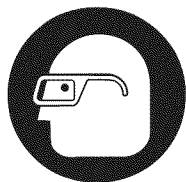
**▲ DANGER:** Indicates an imminently hazardous situation, which, if not avoided, will result in death or serious injury.

**▲ WARNING:** Indicates a potentially hazardous situation, which, if not avoided, could result in death or serious injury.

**▲ CAUTION:** Indicates an imminently hazardous situation, which, if not avoided, may result in death or serious injury.

**CAUTION:** (Without Safety Alert Symbol) Indicates a situation that may result in property damage.









**▲ WARNING:** To ensure safety and reliability, all repairs should be performed by a qualified service technician at Sears Service Center.



**▲ WARNING:** The operation of any power tools can result in foreign objects being thrown into your eyes, which can result in severe eye damage. Before beginning power tool operation, always wear safety goggles or safety glasses with side shield and a full face shield when needed. We recommend a Wide Vision Safety Mask for use over eyeglasses or standard safety glasses with side shields. Always use eye protection which is marked to comply with ANSI Z87.1

### SAVE THESE INSTRUCTIONS

Some of these following symbols may be used on this tool. Please study them and learn their meaning. Proper interpretation of these symbols will allow you to operate the tool better and safer.

SYMBOL	NAME	DESIGNATION/EXPLANATION
V	Volts	Voltage
A	Amperes	Current
Hz	Hertz	Frequency (cycles per second)
W	Watt	Power
min	Minutes	Time
~	Alternating Current	Type of current
≡	Direct Current	Type or a characteristic of current
$n_0$	No Load Speed	Rotational speed, at no load
	Class II Construction	Double-insulated construction
.../min	Per Minute	Revolutions, strokes, surface speed, orbits, etc., per minute
	Wet Conditions Alert	Do not expose to rain or use in damp locations.
	Read The Operator's Manual	To reduce the risk of injury, user must read and understand operator's manual before using this product.
	Eye Protection	Always wear safety goggles or safety glasses with side shields and a full face shield when operating this product.
	Safety Alert	Precautions that involve your safety.
	No Hands Symbol	Failure to keep your hands away from the blade will result in serious personal injury.
	No Hands Symbol	Failure to keep your hands away from the blade will result in serious personal injury.
	No Hands Symbol	Failure to keep your hands away from the blade will result in serious personal injury.
	No Hands Symbol	Failure to keep your hands away from the blade will result in serious personal injury.
	Hot Surface	To reduce the risk of injury or damage, avoid contact with any hot surface.

# SAFETY INSTRUCTIONS

## GENERAL SAFETY RULES

**⚠ WARNING:** Read and understand all instructions. Failure to follow all instructions listed below may result in electric shock, fire, and/or serious personal injury. The term “power tool” in all of the warnings listed below refer to corded power tools or battery-operated (cordless) power tools.

## READ AND SAVE THESE INSTRUCTIONS

- **Know your Auto-Hammer. Read the operator’s manual carefully. Learn the tool’s applications and limitations, as well as the specific potential hazards related to this Auto-Hammer.** Following this rule will reduce the risk of electric shock, fire or serious injury.
- **Use only the recommended battery pack and charger.** Any attempt to use another battery pack will cause damage to the Auto-Hammer, which could then possibly explode, or cause a fire or personal injury.
- **Use the battery only with charger listed below.**

BATTERY PACK	CHARGER
320.11221	320.10006

- **Remove the battery pack from the Auto-Hammer before performing any routine maintenance or cleaning.**
- **Do not disassemble the Auto-Hammer.**
- **Do not place the Auto-Hammer or battery pack near fire or heat.** They may explode. Do not incinerate the battery, even if it severely damaged or completely worn out. The battery may explode in fire.
- **Do not operate the Auto-Hammer or charger near flammable liquids or in a gaseous or explosive environment.** Internal sparks may ignite fumes.
- **To reduce the risk of electric shock, do not put the Auto-Hammer, battery, or charger in water or other liquid.** Do not place or store product where it can fall or be pulled into a tub or sink.
- **Do not store the Auto-Hammer in a damp or wet location. Do not store it in locations where the temperature is less than 32°F (0°C) or more than 104°F (40°C).** Do not store it outside or in vehicles.
- **Do not permit children to use the Auto-Hammer unsupervised.** It is not a toy. The Auto-Hammer may become hot after being on for a period of time. This increased temperature can cause a burn injury of touched.

- **Keep the Auto-Hammer dry, clean, and free from oil and grease.** Always use a clean cloth when cleaning. Never use brake fluids, gasoline, petroleum-based products or any strong solvent to clean the hammer.
- **Do not expose the Auto-Hammer to rain or wet conditions.** Water entering the tool will increase the risk of electric shock.
- **Do not overreach. Keep proper footing and balance at all times.** This enables better control of the Auto-Hammer in unexpected situations. Do not use on a ladder or unstable support.

## WORK AREA SAFETY

- **Keep work area clean and well lit.** Cluttered or dark areas invite accidents.
- **Do not operate power tools in explosive environments, such as in the presence of flammable liquids, gases or dust.** Power tools create sparks which may ignite the dust or fumes.
- **Keep children and bystanders away while operating a power tool.** Distractions cause you to lose control.

## ELECTRICAL SAFETY

- **Avoid body contact with grounded surfaces such as pipes, radiators, ranges and refrigerators.** There is an increased risk of electric shock if your body is grounded.
- **Power tool plugs must match the outlet. Never modify the plug in any way. Do not use any adapter plugs with grounded power tools.** Unmodified plugs and matching outlets will reduce the risk of electric shock.
- **Do not expose power tools to rain or wet conditions.** Water entering a power tool will increase the risk of electric shock.
- **Do not abuse the cord.** Never use the cord for carrying, pulling or unplugging the power tool. Keep the cord away from heat, oil, sharp edges or moving parts. Damaged or entangled cords increase the risk of electric shock.
- **When operating a power tool outdoors, use an extension cord suitable for outdoor use.** Use of a cord suitable for outdoor use reduces the risk of electric shock.

## PERSONAL SAFETY

- **Stay alert, watch what you are doing, and use common sense when operating a power tool.** Do not use a power tool while you are tired or under the influence of drugs, alcohol, or medication. A moment of inattention while operating power tools may result in serious personal injury.

- **Use safety equipment. Always wear eye protection.** Safety equipment, such as dust masks, non-skid safety shoes, hard hat and hearing protection, used for appropriate conditions will reduce personal injuries.
- **Avoid accidental starting.** Ensure that the switch is in the off position before plugging in. Carrying power tools with your finger on the switch or plugging in power tools that have the switch on invites accidents.
- **Remove any adjusting key or wrench before turning the power tool on.** A wrench or key left attached to a rotating part of the power tool may result in personal injury.
- **Do not overreach. Keep proper footing and balance at all times.** This enables better control of the power tool in unexpected situations.
- **Dress properly. Do not wear loose clothing or jewelry. Keep your hair, clothing and gloves away from moving parts.** Loose clothes, jewelry or long hair can be caught in moving parts.
- **If devices are provided for the connection of dust extraction and collection facilities, ensure these are connected and properly used.** Use of these devices can reduce dust-related hazards.
- **Use clamps or another practical way to secure and support the work-piece to a stable platform.** Holding the work by hand or against your body leaves it unstable and may lead to loss of control.
- **Do not use on a ladder or unstable support.** Stable footing on a solid surface enables better control of the power tool in unexpected situations.
- **Keep handles dry, clean, and free from oil and grease.** Slippery hands can not safely control the power tool.
- **Always wear safety glasses with side shields.** Everyday glasses have only impact resistant lenses. They are NOT safety glasses. Following this rule will reduce the risk of eye injury.
- **Protect your lungs. Wear a face or dust mask if the operation is dusty.** Following this rule will reduce the risk of serious personal injury.
- **Protect your hearing.** Wear hearing protection during extended periods of operation. Following this rule will reduce the risk of serious person injury.

## POWER TOOL USE AND CARE

- **Do not force the power tool.** Use the correct power tool for your application. The correct power tool will do the job better and more safely at the rate for which it was designed.
- **Do not use the power tool if the switch does not turn it on and off.** Any power tool that cannot be controlled with the switch is dangerous and must be repaired.

- **Disconnect the plug from the power source and/or the batter pack from the power tool before making any adjustments, changing accessories, or storing power tools.** Such preventive safety measures reduce the risk of starting the power tool accidentally.
- **Store idle power tools out of the reach of children and do not allow persons unfamiliar with the power tool or these instructions to operate the power tool.** Power tools are dangerous in the hands of untrained users.
- **Maintain power tools. Check for misalignment or binding of moving parts, breakage of parts, and any other condition that may affect the power tool's operation.** If damaged, have the power tool repaired before use. Many accidents are caused by poorly maintained power tools.
- **Keep cutting tools sharp and clean.** Properly maintained cutting tools with sharp cutting edges are less likely to bind and are easier to control.
- **Use the power tool, accessories and tool bits etc., in accordance with these instructions and in the manner intended for the particular type of power tool, taking in account the working conditions and the work to be performed.** Use of the power tool for operations different from those intended could result in a hazardous situation.
- **Hold power tools by insulated gripping surfaces when performing an operation where the cutting tool may contact hidden wiring or its own cord.** Contact with a "live" wire will also make exposed metal parts of the tool "live" and shock the operator.
- **Know your power tool. Read the product manual carefully. Learn its applications and limitations, as well as the specific potential hazards related to this tool.** Following this rule will reduce the risk of electric shock, fire or serious injury.
- **Save these instructions.** Refer to them frequently and use them to instruct others who may use this tool. If you loan someone this tool, also loan them these instructions.

## **BATTERY TOOL USE AND CARE**

- **Ensure the switch is in the off position before inserting battery pack.** Inserting the battery pack into power tools that have the switch on invites accidents.
- **Recharge only with the charger specified by the manufacturer.** A charger that is suitable for one type of batter pack may create a risk of fire when used with another battery pack.
- **Use power tools only with specifically designated battery packs.** Use of any other battery packs may create a risk of injury and fire.



- **When the battery pack is not in use, keep it away from other metal objects, such as paper clips, coins, keys, nails screws or other small metal objects that can make a connection from one terminal to another.** Shorting the battery terminals together may cause burns or a fire.
- **Under abusive conditions, liquid may be ejected from the battery. Avoid contact. If contact accidentally occurs, flush with water. If liquid contacts eyes, additionally seek medical help.** Liquid ejected from the battery may cause irritation or burns.
- **Battery tools do not have to be plugged into an electrical outlet; therefore, they are always in operating condition. Be aware of possible hazards when not using your battery tool or when changing accessories.** Following this rule will reduce the risk of electric shock, fire, or serious personal injury.
- **Do not place battery tools or their batteries near fire or heat.** This will reduce the risk of explosion and possibly injury.
- **Do not crush, drop or damage the battery pack. Do not use a battery pack or charger that has been dropped or received a sharp blow. A damaged battery is subject to explosion.** Properly dispose of a dropped or damaged battery immediately.
- **Batteries vent hydrogen gas and can explode in the presence of a source of ignition, such as a pilot light.** To reduce the risk of serious personal injury, never use any cordless product in the presence of open flame. An exploded battery can propel debris and chemicals. If exposed, flush with water immediately.
- **Do not charge the battery tool in a damp or wet location.** Following this rule will reduce the risk of electric shock.
- **Under extreme usage or temperature conditions, battery leakage may occur. If liquid comes in contact with your skin, wash immediately with soap and water, then neutralize with lemon juice or vinegar.** If liquid gets in your eyes, flush them with clean water for at least 10 minutes, and then seek immediate medical attention. Following this rule will reduce the risk of serious personal injury.
- **For best results, your battery tool should be charged in a location where the temperature is more than 32°F (0°C) but less than 104°F (40°C). Do not store outside or in vehicles.**

## SERVICE

- **Have your power tool serviced by a qualified repair person using only identical replacement parts.** This will ensure that the safety of the power tool is maintained.
- **When servicing a power tool, use only identical replacement parts.**
- **Follow instructions in the Maintenance section of this manual.** Use of unauthorized parts or failure to follow Maintenance instructions may create a risk of shock or injury.

## SPECIFIC SAFETY RULES FOR CORDLESS AUTO-HAMMER

- **Hold power tools by the insulated gripping surfaces when performing an operation where the tool may contact hidden wiring or its own cord.** Contact with a “live” wire will also make exposed metal parts of the tool “live” and shock the operator.
- **Do not insert or try to insert your finger into the hammer sleeve at any time,** failure to do so could result in personal injury. Your finger may get hurt.
- **Do not stare into the LED worklight directly;** never project the worklight to others’ eyes.
- **Never put your hand continuously on the nail when hammering.** Only use your hand to hold the nail on the workpiece at the beginning of hammering.
- **This Auto-Hammer is** to be used for the nails with diameter less than 7/16-in and length less than 2 1/2-in.
- **Use clamps or another practical way to secure and support the workpiece to a stable platform before hammering.** Holding the work by hand against your body leaves it unstable and may lead to loss of control.

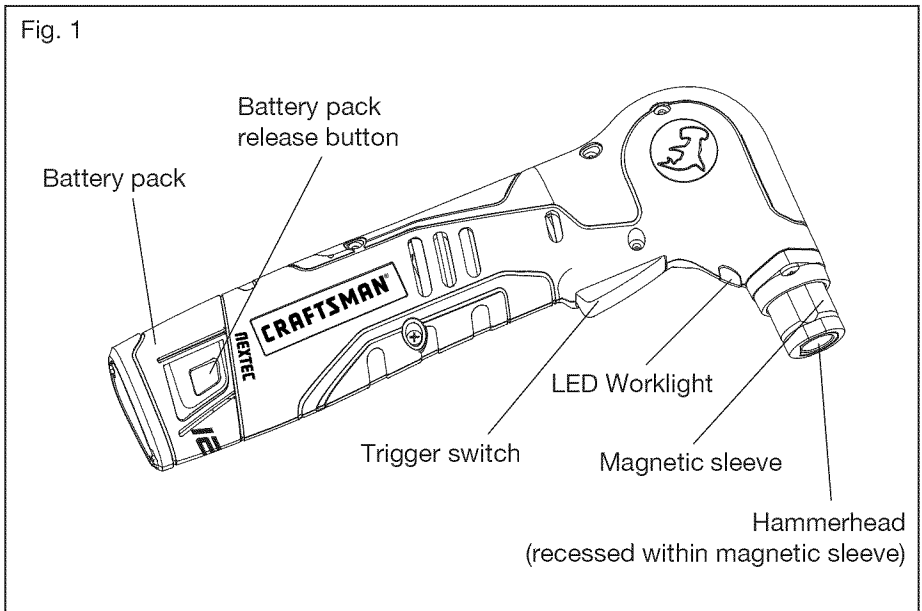


**⚠ WARNING:** Wear ear protection. Exposure to noise can cause hearing loss.

**⚠ WARNING:** To reduce the risk of injury, user must read instruction manual.

## DESCRIPTION

### KNOW YOUR HAMMER (Fig. 1)



### PRODUCT SEPCIFICATION

Clamp	7/16-in.
Motor	12 Volt DC
Hammer Weight (without battery)	1.1lbs
Battery Type	Lithium-Ion
Battery Voltage	12.0 Volt DC
Charger Input	120-Volts, 60 Hz AC only
Optimum Charging Temperature	32°F (0° C) -104°F (40°C)

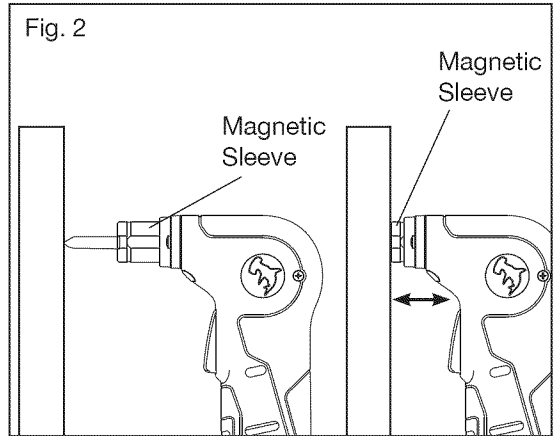
**⚠ WARNING:** The safe use of this product requires an understanding of the information on the tool and in this operator's manual, as well as knowledge of the project you are attempting. Before use of this product, familiarize yourself with all operating features and safety rules.

## HAMMERHEAD

The hammerhead impacts the nails automatically when the tool is turned on.

## MAGNETIC SLEEVE

The magnetic sleeve holds the head of the inserted nail against the recessed hammerhead for the beginning of nail driving. The sleeve retracts at the end of nail driving to allow the hammerhead to drive the nail head flush to the workpiece.



## LED WORKLIGHT

The LED worklight, located on the front of the hammer, illuminates when the trigger switch is depressed. This feature provides extra light for increased visibility.

## ASSEMBLY

**⚠ WARNING:** If any parts are broken or missing, do not attempt to plug in the power cord or operate the hammer until the broken or missing parts are replaced. Failure to do so could result in possible serious injury.

**⚠ WARNING:** Do not attempt to modify this hammer or create accessories not recommended for use with this hammer. Any such alteration or modification is misuse and could result in a hazardous condition leading to possible serious injury.

**⚠ WARNING:** To prevent accidental starting that could cause serious personal injury, always remove the battery pack from the hammer when assembling parts.

## UNPACKING

This product has been shipped completely assembled.

- Carefully remove the tool and any accessories from the box. Make sure that all items listed in the packing list are included.
- Inspect the tool carefully to make sure that no breakage or damage occurred during shipping.
- Do not discard the packing material until you have carefully inspected and satisfactorily operated the tool.
- If any parts are damaged or missing, please contact a Sears Service Center.

## PACKING LIST

1pc 12V Auto-Hammer, 1pc 12V Battery Pack, 1pc Charger, 1pc 5 1/2" Nail remover, Operator's manual.

## OPERATION

### LOW BATTERY CAPACITY INDICATOR

- If the LED begins to rapidly flash when the trigger switch is depressed, the battery pack's power has run out, and the battery pack should be recharged.
- Unlike other battery pack types, Lithium-Ion battery packs deliver fade-free power for their entire run time. The tool will not experience a slow, gradual loss of power as you work. To signal that the battery pack is at the end of its run time and needs to be charged, power to the tool will drop quickly.

**NOTE:** The LED may also flash due to an overload or high temperature situation (see BATTERY PROTECTION).

### BATTERY PROTECTION

The circuitry protects the battery pack from extreme temperature, over-discharge, and over-charge. To protect the battery from damage and prolong its life, the battery pack circuitry will turn off the battery pack if it becomes overloaded or if the temperature becomes too high during use. This may happen in extremely high torque, binding, and stalling situations. This intelligent system will shut down your battery pack if its operating temperature exceeds 176°F (80°C) and will begin normal operation when it returns to 32°F (0°C) - 122°F (50°C).

- The LED light will begin to flash slowly if the battery circuitry detects a momentary overload.

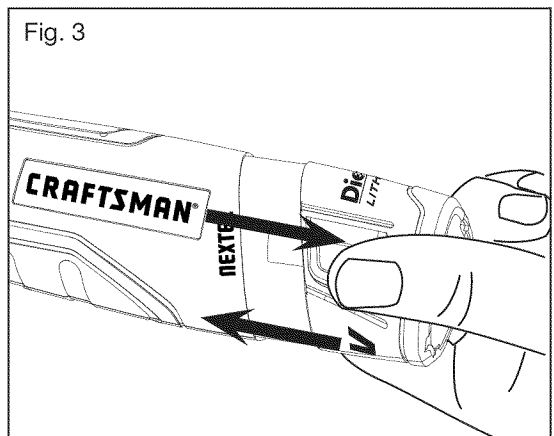
**NOTE:** The battery can automatically reset. If the LED continues to flash, that indicates that the capacity is too low. Place the battery on the charger for charging (see BATTERY CAPACITY INDICATOR , above).

**NOTE:** A significantly reduced run time after fully charging the battery pack indicates that the battery is near the end of its usable life and must be replaced.

### TO ATTACH BATTERY PACK (Fig. 3)

**▲ CAUTION: Avoid the possibility of accidental starting:** always take care not to activate the trigger switch when you are attaching the battery pack or making any adjustment to the tool.

1. Align the raised portion on the battery pack with the grooves on the bottom of the hammer, then attach the battery pack to the hammer as shown.



2. Make sure that the latch on the battery pack snaps into place and the battery pack is secured to the tool before beginning operation.

### TO DETACH BATTERY PACK (Fig. 3)

**⚠ CAUTION: Avoid the possibility of accidental starting:** always take care not to activate the trigger switch when attaching the battery pack or making any adjustment to the tool.

1. Depress both battery-release buttons located on the sides of the battery pack to release the battery pack.
2. Pull battery pack out and remove it from the tool.

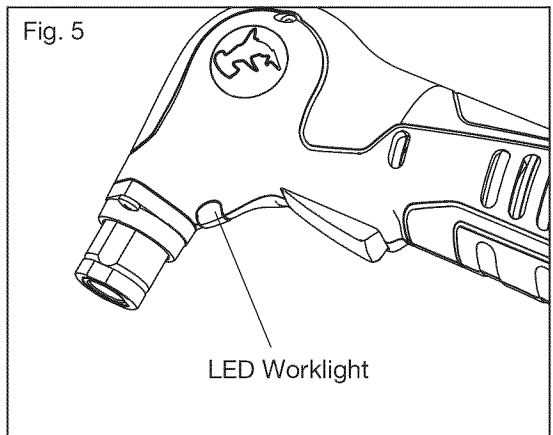
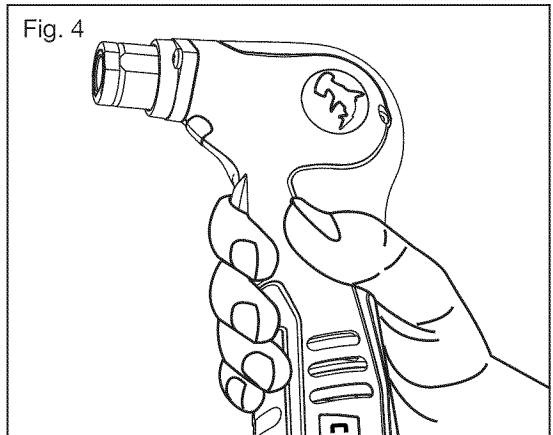
**⚠ CAUTION:** When placing the battery pack in the tool, be sure the raised rib on the battery pack aligns with the groove inside the Auto-Hammer and that the battery snaps into place properly. Improper assembly of the battery pack can cause damage to internal components.

### TRIGGER SWITCH (Fig. 4)

To turn the hammer ON, depress the trigger switch. To turn it OFF, release the trigger.

### LED WORKLIGHT (Fig. 5)

The LED worklight, located on the base of the Auto-Hammer, will come on when the trigger switch is depressed. The LED worklight will turn off when the trigger switch is released. This provides additional lighting on the surface of the workpiece for operation in lower-light areas.



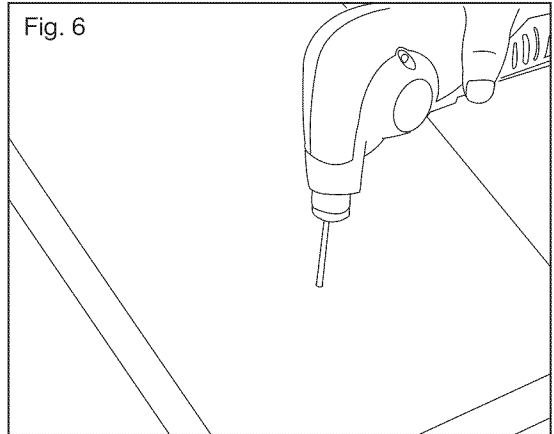
## HAMMERING NAILS (Fig. 6)

1. Attach the battery pack to the Auto-Hammer.
2. Secure the material to be nailed with clamps to keep it from turning when hammering.
3. Insert the head of the nail into the magnetic sleeve and up against the hammerhead, where it will be held in place by magnetism. Place the tip of the nail against the workpiece.
4. Holding the shaft of the nail steady with your hand, push down on the tool and press the trigger switch to drive the nail far enough into the workpiece so that it stands on its own. Release trigger switch and remove your hand from the nail.

**⚠ CAUTION:** Be especially careful when driving shorter nails such as brads that you remove your hand as soon as the nail stands on its own in the workpiece.

5. Resume pushing down on tool and pressing trigger switch to continue hammering until the nail is fully driven into the workpiece. Near the end of hammering, the magnetic sleeve will retract to allow the hammerhead to drive the nail head flush to the workpiece.

**⚠ WARNING:** Do not force the hammer or apply side pressure. Hold the tool firmly; the tool will hammer the nail automatically.



## Recommended Nails to Use

The Auto-Hammer is versatile for use with a variety of nails. Nails with diameters less than 7/16-in and lengths equal to or less than 2-1/2 in. are recommended for use with this Auto-Hammer.

Refer to below table for recommended nails to use with:

N0.	Nail Type	Size	Shank Diameter	Head Diameter	Length
1	Bright Common	4d	0.1"	1/4"	1 1/2-in
2	Bright Finish	6d	0.091"	9/64"	2-in
3	Bright Finish	4d	0.072"	7/64"	1 1/2 -in
4	Coated Sinker	4d	0.08"	13/64"	1 3/8-in
5	Electro Galvanized Roofing	4d	0.12"	1/4"	1 1/2-in
6	Hot tipped Galvanized finish	10d	0.115"	3/8"	3-in
7	Tempered Hard Trim	6d	0.07"	9/64"	2-in

## Recommended Nailing Materials for the Auto-Hammer

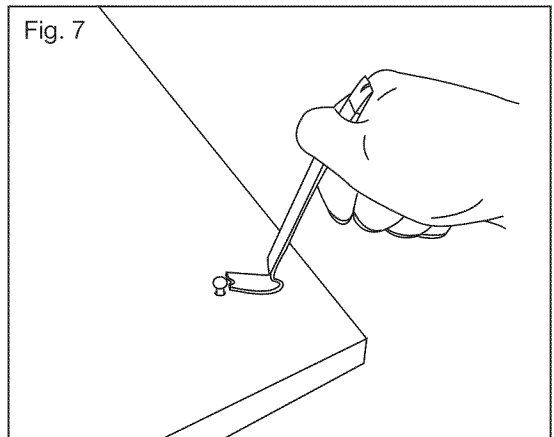
The Auto-Hammer may be used for nailing into all types of woods, wood-like materials, and plaster board.

**⚠ Note:** The tool is not suitable for nailing in hard metal or concrete.

### Use of Nail Remover (Fig. 7)

Your Auto-Hammer comes with a 5-1/2" nail remover for use with most finishing nails that can be used with this tool.

1. Slip the front tip underneath the nail head.
2. Pull out nails as shown in Fig. 7.





## MAINTENANCE

**⚠ WARNING:** To avoid serious personal injury, always remove the battery pack from the tool when cleaning or performing any maintenance.

**⚠ WARNING:** When servicing, use only identical Craftsman replacement parts. Use of any other parts may create a hazard or cause product damage.

**⚠ WARNING:** It is not recommended to use compressed dry air to clean the Auto-Hammer. If cleaning with compressed air is the only method to available, always wear safety goggles or safety glasses with side shields when using compressed air to clean the tool. If the operation is dusty, also wear a dust mask.

### GENERAL MAINTENANCE

Avoid using solvents when cleaning plastic parts. Most plastics are susceptible to damage from various types of commercial solvents and may be damaged by their use. Use clean cloths to remove dirt, dust, oil, grease, etc.

**⚠ WARNING:** Do not at any time let brake fluids, gasoline, petroleum-based products, penetrating oils, etc. come in contact with plastic parts. Chemicals can damage, weaken or destroy plastic which may result in serious personal injury.

**⚠ WARNING:** When servicing, use only identical Craftsman replacement parts. Use of any other parts may create a hazard or cause product damage. To ensure safety and reliability, all repairs should be performed by a qualified service technician at a Sears Service Center.

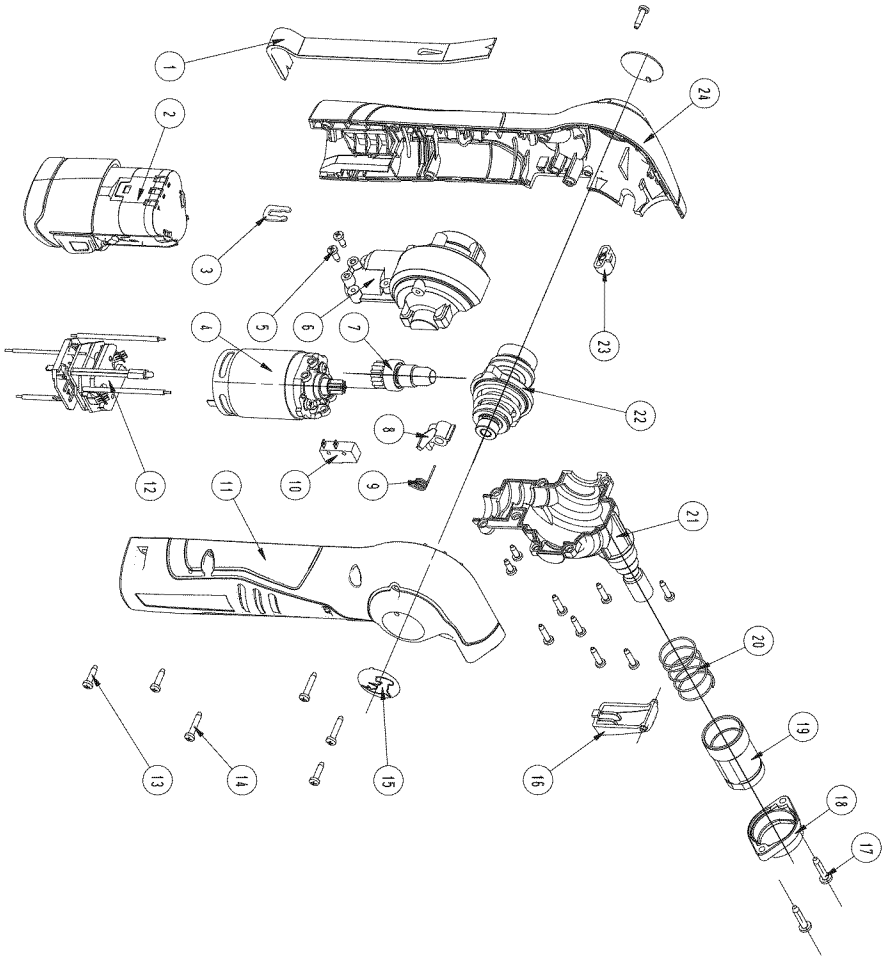
## TROUBLESHOOTING

PROBLEM	CAUSE	SOLUTION
The Auto-Hammer does not work	Battery is depleted	Charge the battery
	The machine is too hot after continuous usage	Cool down the machine
	Battery is too hot after continuous usage	Allow battery to cool or replace with a cool battery

## PART LIST

### 12.0 VOLT LITHIUM-ION CORDLESS AUTO-HAMMER MODEL NUMBER 320.61352

The Model Number will be found on the Nameplate attached to the handle of the Auto-Hammer. Always mention the Model Number when ordering parts for this tool.



## PARTS LIST

### 12.0 VOLT LITHIUM-ION CORDLESS AUTO-HAMMER MODEL NUMBER 320.61352

The Model Number will be found on the Nameplate attached to the handle of the Auto-Hammer. Always mention the Model Number when ordering parts for this tool.

No	Part No	Part Name	QTY
1	3704397000	Nail Remover	1
2	2770153000	5120 Power Pack	1
3	3704254000	Handle Hoop	1
4	2822577000	Motor&Gear ASSY	1
5	5610010000	Tapping Screw	4
6	3124289000	Right Gear Case	1
7	2822572000	Gear Set	1
8	3124418000	Push Button	1
9	3660374000	Torsion Spring	1
10	4870397000	Micro Switch	1
11	3320722000	Right Housing Assy	1
12	4890504000	PCB Assembly	1
13	5610012000	Tapping Screw	11
14	5610013000	Tapping Screw	3
15	3124514000	Logo Label	2
16	3124287000	Switch Trigger	1
17	5610024000	Tapping Screw	2
18	3124504000	Support	1
19	2822569000	Top Cover ASSY	1
20	3660376000	Spring	1
21	2822614000	Gear Case Cover ASSY	1
22	2822568000	Impact Block ASSY	1
23	3124148000	LED Cover	1
24	3320721000	Left Housing Assy	1

# Get it fixed, at your home or ours!

## Your Home

For expert troubleshooting and home solutions advice:

**manage my home**

[www.managemyhome.com](http://www.managemyhome.com)

For repair – **in your home** – of **all** major brand appliances, lawn and garden equipment, or heating and cooling systems, **no matter who made it, no matter who sold it!**

For the replacement parts, accessories and owner's manuals that you need to do-it-yourself.

For Sears professional installation of home appliances and items like garage door openers and water heaters.

**1-800-4-MY-HOME<sup>®</sup>**

(1-800-469-4663)

[www.sears.com](http://www.sears.com)

Call anytime, day or night

(U.S.A. and Canada)

[www.sears.ca](http://www.sears.ca)

## Our Home

For repair of carry-in items like vacuums, lawn equipment, and electronics, call anytime for the location of the nearest **Sears Parts & Repair Service Center**

**1-800-488-1222** (U.S.A.)

[www.sears.com](http://www.sears.com)

**1-800-469-4663** (Canada)

[www.sears.ca](http://www.sears.ca)

To purchase a protection agreement on a product serviced by Sears:

**1-800-827-6655** (U.S.A.)

**1-800-361-6665** (Canada)

Para pedir servicio de reparación a domicilio, y para ordenar piezas:

**1-888-SU-HOGAR<sup>®</sup>**

(1-888-784-6427)

Au Canada pour service en français:

**1-800-LE-FOYER<sup>MC</sup>**

(1-800-533-6937)

[www.sears.ca](http://www.sears.ca)

**Sears**

© Sears Brands, LLC

® Registered Trademark / <sup>TM</sup> Trademark / <sup>SM</sup> Service Mark of Sears Brands, LLC

® Marca Registrada / <sup>TM</sup> Marca de Fábrica / <sup>SM</sup> Marca de Servicio de Sears Brands, LLC

<sup>MC</sup> Marque de commerce / <sup>MD</sup> Marque déposée de Sears Brands, LLC

## Free Manuals Download Website

<http://myh66.com>

<http://usermanuals.us>

<http://www.somanuals.com>

<http://www.4manuals.cc>

<http://www.manual-lib.com>

<http://www.404manual.com>

<http://www.luxmanual.com>

<http://aubethermostatmanual.com>

Golf course search by state

<http://golfingnear.com>

Email search by domain

<http://emailbydomain.com>

Auto manuals search

<http://auto.somanuals.com>

TV manuals search

<http://tv.somanuals.com>