

SEARS

*owner's
manual*

WARNING:

For your own safety,
read your owner's
manual before
operating your
rotary tool.

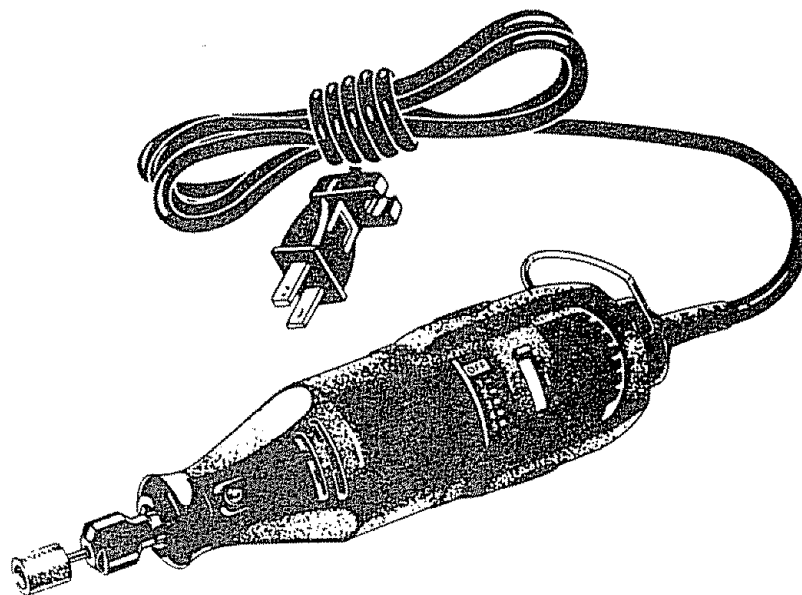
**MODEL
NOS.**

572.610520

572.610530

&

572.610720



CRAFTSMAN[®]

ROTARY POWER TOOLS

Refer to your service diagram for specific warranty information on your Craftsman Rotary Power Tool.

Consulte el diagrama de servicio para obtener información específica de garantía para su herramienta mecánica giratoria Craftsman.

¿Habla español? Ver página 7

• assembly • operation • maintenance • repair parts

Sears, Roebuck and Co., Hoffman Estates, IL 60179 U.S.A.

Safety



When using electric tools, basic safety precautions should always be followed to reduce the risk of fire, electric shock and personal injury, including the following:

READ AND SAVE ALL THE FOLLOWING INSTRUCTIONS:

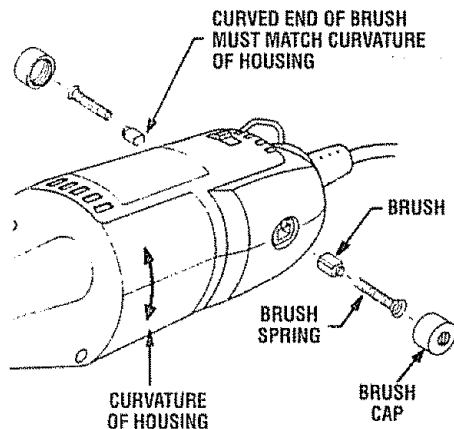
- 1. Keep work area clean** — Cluttered areas and benches invite injuries
- 2. Avoid dangerous environment** — Don't expose tools to rain. Don't use power tools in damp or wet locations. Don't use power tools in the presence of flammable liquids or gases. Avoid chemical or corrosive environments. Keep work area well lit.
- 3. Guard against electric shock** — Prevent body contact with grounded surfaces. For example: pipes, radiators, refrigerator enclosures
- 4. Keep children away** — Do not let visitors contact tool or extension cord. All visitors should be kept away from work areas
- 5. Store idle tools** — When not in use, tools should be stored in dry, and high or locked-up place — out of reach of children.
- 6. Don't force tool** — It will do the job better and safer at the rate for which it was intended.
- 7. Use right tool** — Don't force small tool or attachment to do the job of a heavy-duty tool. Don't use tool for purpose not intended — for example — don't use circular saw for cutting tree limbs or logs
- 8. Dress properly** — Do not wear loose clothing or jewelry. They can be caught in moving parts. Rubber gloves and non-skid footwear are recommended when working outdoors. Wear protective hair covering to contain long hair.
- 9. Use safety glasses** — Also use face or dust mask if cutting operation is dusty
- 10. Don't abuse cord** — Never carry tool by cord or yank it to disconnect from receptacle. Keep cord from heat, oil, and sharp edges.
- 11. Secure work** — Use clamps or vise to hold work. It's safer than using your hand and it frees both hands to operate tool.
- 12. Don't over-reach** — Keep proper footing and balance at all times.
- 13. Maintain tools with care** — Keep tools sharp and clean for better and safer performance. Follow instructions for lubricating and changing accessories. Inspect tool cords periodically and, if damaged, have repaired by authorized service facility. Inspect extension cords periodically and replace if damaged. Keep handles dry, clean and free from oil and grease.
- 14. Disconnect tools** — When not in use, before servicing, and when changing accessories, such as blades, bits, cutters
- 15. Remove adjusting keys and wrenches** — Form habit of checking to see that keys and adjusting wrenches are removed from tool before turning it on
- 16. Avoid unintentional starting** — Don't carry plugged-in tool with finger on switch. Be sure switch is off when plugged in.
- 17. Outdoor use extension cords** — When tool is used outdoors, use only extension cords intended for use outdoors and so marked
- 18. Stay alert** — Watch what you are doing. Use common sense. Do not operate tool when you are tired. Don't use power tools after taking drugs, alcohol or medications.
- 19. Do not alter or misuse tool** — These tools are precision built. Any alteration or modification not specified is misuse and may result in a dangerous condition.
- 20. Avoid gaseous areas** — Do not operate portable electric tools in gaseous or explosive atmospheres. Motors in these tools normally spark, and the sparks might ignite fumes
- 21. Check for damaged parts** — Before further use of the tool, check for damaged parts. Check for alignment of moving parts, binding of moving parts, breakage of parts, mounling, and any other conditions that may affect its operation. A part that is damaged should be properly repaired or replaced by an authorized service center before further use of the tool. Have defective switches replaced by an authorized service center. Do not use tool if switch does not turn it on and off.
- 22. Your tool is double insulated** — And no grounding is necessary. The tool is equipped with a two wire cord and two prong plug which can be used in standard 120 volt A.C. outlets. Use only identical replacement parts when service is required.
- 23. Polarized plugs** — Your tool is equipped with a polarized plug (one blade is wider than the other), this plug will fit in a polarized outlet only one way. If the plug does not fit fully in the outlet, reverse the plug. If it still does not fit, contact a qualified electrician to install the proper outlet. To reduce the risk of electric shock do not change the plug in any way.
- 24. Extension cords** — An undersized cord will cause a drop in line voltage, resulting in loss of power and over-heating. Use 18 gauge or heavier cord. **NOTE:** The smaller the gauge number, the heavier the cord. (Extension cords are available)
- 25. WARNING:** Use of damaged cords can shock, burn or electrocute.

READ AND SAVE ALL THE PRECEDING INSTRUCTIONS

Maintenance

MAINTENANCE OF REPLACEABLE BRUSHES Models 572.610520, 572.610530 & 572.610720

The brushes should be inspected frequently when tools are used continuously. If your tool runs sporadically, loses power, makes unusual noises or runs at a reduced speed, check the brushes. To continue using the tool in this condition will permanently damage your tool.



With the cord unplugged, remove the brush caps one at a time with a small screwdriver by rotating cap counter-clockwise and check each brush.

If the brush is less than 1/8" long and the end surface of the brush that contacts the commutator is rough and/or pitted, they should be replaced. Check both brushes. Usually the brushes will not wear out simultaneously. If one brush is worn out, replace both brushes. Make sure the brushes are installed as illustrated. The curved surface of the brush must match the curvature of the commutator.

After replacing brushes the tool should be run at no-load; place it on a clean surface and run it freely for 5 minutes before loading (or using) the tool. This will allow the brushes to "seat" properly and will give you more hours of life from each set of brushes. This will also extend the total life of your tool since the commutator surface will "wear" longer.

BEARINGS - Rotary Tool Nos. 572.610520, 572.610530 & 572.610720 have double ball bearing construction. Under normal use neither type requires additional lubrication.

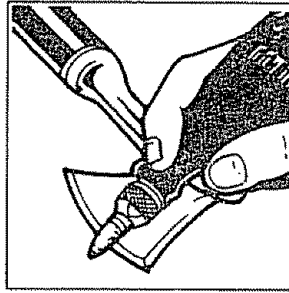
CAUTION:

Any servicing of this tool (Excluding brush replacement for Models 572.610520, 572.610530 & 572.610720) should be performed by an authorized service representative.

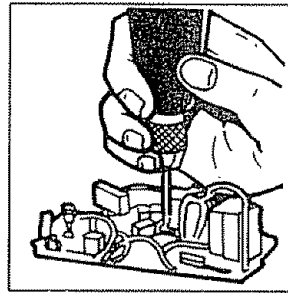
IMPORTANT!

Use of any accessories or attachments other than those supplied by Sears may be hazardous.

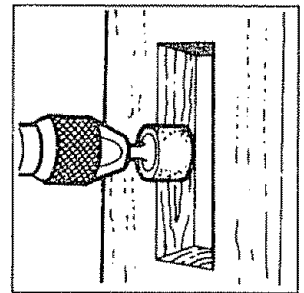
Here are examples of what a SEARS Craftsman tool can do . . .



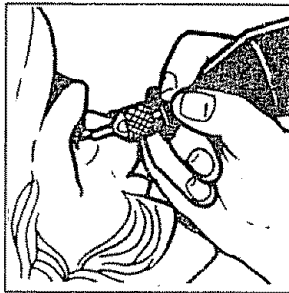
Sharpen Tools



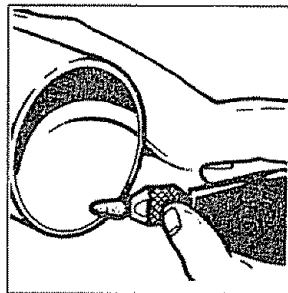
Precise Drilling



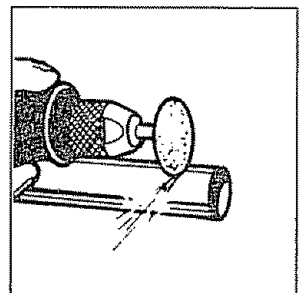
Shape Wood



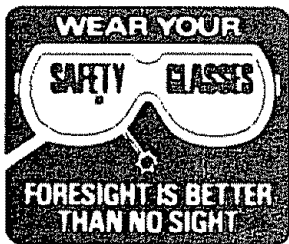
Carve Wood



Deburr Metal



Cut Metal



WARNING The operation of any power tool can result in foreign objects being thrown into the eyes, which can result in severe eye damage. Always wear safety glasses or eye shields before commencing power tool operation. We recommend Wide Vision Safety Mask for use over spectacles or standard safety glasses.

Whenever you hold the tool, be careful not to cover the air vents with your hand. This blocks the air flow and causes the motor to overheat.

WARNING Always unplug rotary tool before changing accessories, changing collets or servicing your rotary tool.

COLLET — To loosen, first press shaft lock button and rotate the shaft by hand until the lock engages the shaft preventing further rotation.

CAUTION Do not engage lock while the Rotary Tool is running.

With the shaft lock engaged use the collet wrench to loosen the collet nut if necessary. Change accessories by inserting the new one into the collet as far as possible to minimize runout and unbalance. With the shaft lock engaged, finger tighten the collet nut until the accessory shank is gripped by the collet. Avoid excessive tightening of the collet nut. The collet system is a superior method of securing accessories.

COLLETS — Two different size collets (see illustration), to accommodate different shank sizes, are available for your Rotary Tool. To install a different collet, remove the collet nut and remove the old collet. Insert the unslotted end of the collet in the hole in the end of the tool shaft. Replace collet nut on the shaft. Always use the collet which matches the shank size of the accessory you plan to use. Never force a larger diameter shank into a collet.

COLLET IDENTIFICATION CHART — Collet sizes can be identified by the rings on the back end of collet

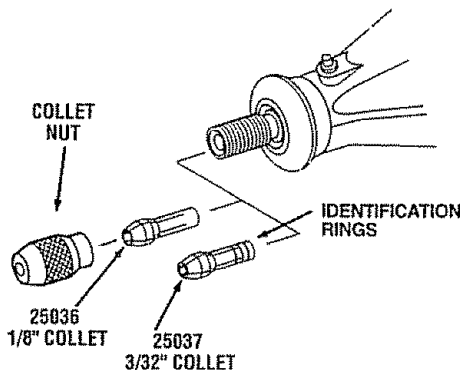
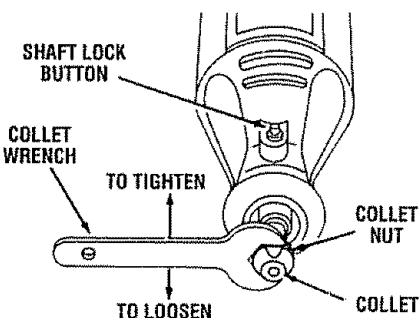
- 1/32" Collet has one (1) ring
- 1/16" Collet has two (2) rings
- 3/32" Collet has three (3) rings
- 1/8" Collet has no rings

BALANCING ACCESSORIES — For precision work, it is important that all accessories be in good balance (much the same as the tires on your automobile). To true up or balance an accessory, slightly loosen collet nut and give the accessory or collet a 1/4 turn. Retighten collet nut and run the Rotary Tool. You should be able to tell by the sound and feel if your accessory is running in balance. Continue adjusting in this fashion until best balance is achieved. To maintain balance on abrasive wheel points, before each use, with the wheel point secured in the collet, turn on the Rotary Tool and run the Dressing Stone lightly against the revolving wheel point. This removes high spots and trues up the wheel point for good balance.

WARNING Do not use grinding wheels over 1" in diameter. Rotary Tool's high speed can cause larger wheels to fly apart and could cause injury.

SAFETY — Protect your eyes when grinding or routing with the Rotary Tool always wear an approved type of safety glasses

Remember, your new Sears Rotary Tool is the finest power tool of its kind. But its performance is only as good as the accessories with which it is used. We recommend only Sears accessories be used. Use of any other accessories may create a hazard. We hope you'll enjoy many years of trouble free pleasure from your Sears Craftsman Rotary Power Tool



USE ONLY RECOMMENDED ACCESSORIES

Craftsman Rotary Power Tool

The Rotary Tool is a handful of high-speed power. It serves as a carver, a grinder, polisher, sander, cutter, power brush, drill and more.

The Rotary Tool has a small, powerful electric motor, is comfortable in the hand, and is made to accept a large variety of accessories including abrasive wheels, drill bits, wire brushes, polishers, engraving cutters, router bits, and cutting wheels. Accessories come in a variety of shapes and permit you to do a number of different jobs. As you become familiar with the range of accessories and their uses, you will learn just how versatile the Rotary Tool is. You'll see dozens of uses you hadn't thought of before now.

The real secret of the Rotary Tool is its speed. To understand the advantages of its high speed, you have to know that the standard portable electric drill runs at speeds up to 2,800 revolutions per minute. The Rotary Tool operates at speeds up to 30,000 revolutions per minute. The typical electric drill is a low-speed, high torque tool; the Rotary Tool is just the opposite – a high-speed, low torque tool. The chief difference to the user is that in the high speed tools, the speed combined with the accessory mounted in the collet does the work. You don't apply pressure to the tool, but simply hold and guide it. In the low speed tools, you not only guide the tool, but also apply pressure to it, as you do, for example, when drilling a hole.

It is this high speed, along with its compact size and wide variety of special accessories, that makes the Rotary Tool different from other power tools. The speed enables it to do jobs low speed tools cannot do, such as cutting hardened steel, engraving glass, etc.

Getting the most out of your Rotary Tool is a matter of learning how to let this speed work for you.

Using the Rotary Power Tool

Read the next sections carefully. They will help you use your Rotary Tool correctly and help you select the correct accessory for your job.

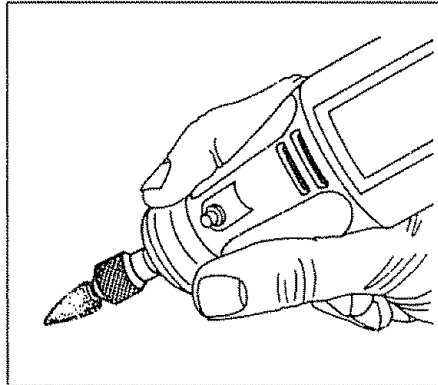
The first step in learning to use the Rotary Tool is to get the "feel" of it. Hold it in your hand and feel its weight and balance. Feel the taper of the housing. This taper permits the Rotary Tool to be grasped much like a pen or pencil.

When you turn on the tool for the first time, hold it away from your face. Accessories can be damaged during handling, and can fly apart as they come up to speed. This is not common, but it does happen.

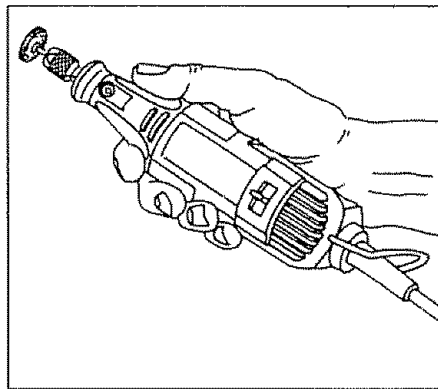
Practice on scrap materials first to see how the Rotary Tool cuts. Keep in mind that the work is done by the speed of the tool and by the accessory in the collet. You should not lean on or push the tool into the work.

Instead, lower the spinning accessory lightly to the work and allow it to touch the point at which you want cutting (or sanding or etching, etc.) to begin. Concentrate on guiding the tool over the work using very little pressure from your hand. Allow the accessory to do the work.

Usually, it is best to make a series of passes with the tool rather than attempt to do all the work in one pass. To make a cut, for example, pass the tool back and forth over the work, much as you would a small paint brush. Cut a little material on each pass until you reach the desired depth. For most work, the deft, gentle touch is best. With it, you have the best control, are less likely to make errors, and will get the most efficient work out of the accessory.



For best control in close work, grip the Rotary Tool like a pencil between your thumb and forefinger.



This is the "handgrip" method of holding the tool used for operations such as grinding a flat surface or using cutoff wheels.

WARNING When using the steel saws, cutoff wheels, high speed cutters or tungsten carbide cutters, always have the work securely clamped. Never attempt to hold the work with one hand while using any of these accessories. The reason is that these wheels will grab if they become slightly canted in the groove, and can kickback causing loss of control resulting in serious injury. Your second hand should be used to steady and guide the hand holding the tool. When a cutoff wheel grabs, the wheel itself usually breaks. When the steel saw, high speed cutters or tungsten carbide cutter grab, it may jump from the groove and you could lose control of the tool.

Operating Speeds & Accessories

Set the speed indicator to fit the job; to achieve the best job results when working with different materials, the speed of the Rotary Tool should be regulated. Only a full wave output speed control such as the Sears Model 2514 (available from catalog only) should be used with the Model 572.610520. Models 572.610530 & 572.610720 Rotary Tools have an integral speed control and an external speed control should never be used with these tools.

To select the right speed for each job, use a practice piece of material. Vary speed to find the best speed for the accessory you are using and the job to be done.

There are three basic types of Rotary Tools: single speed, two-speed and variable speed models. On the single speed model, there is an ON-OFF switch. When the switch is on, the tool runs at 28,000 RPM. On the two-speed-model, there is a LO and HI switch. When the switch indicator is on the low setting, the tool runs at about 20,000 RPM. When the switch indicator is on the high setting, the tool runs at about 30,000 RPM. On the variable speed model, there is a switch indicator with a white line on it. Slide to the number on the housing to select the operating speed needed from 5,000 – 30,000 RPM. You can refer to the charts on page 5 to determine the proper speed, based on the material being worked and the type of cutter or other accessory being used. These charts enable you to select both the correct accessory and the optimum speed at a glance.

If you have a single-speed or two-speed model, you will be able to use many accessories to do a wide assortment of jobs. For the majority of applications, all models of the Rotary Tool should be used at top speed.

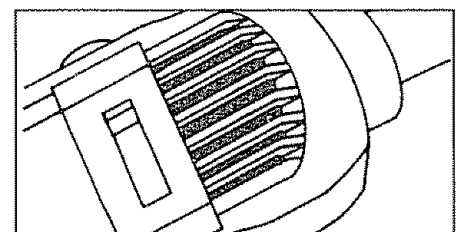
Needs for Slower Speeds

Certain materials, however, (some plastics, for example) require a relatively slow speed because at high speed the friction of the tool generates heat and causes the plastic to melt.

Slow speeds (15,000 RPM or less) usually are best for polishing operations employing the felt polishing accessories. They may also be best for working on delicate projects as "eggery" work, delicate wood carving and fragile model parts. You should always do polishing with wire brush accessories at slower speeds and never higher than 15,000 RPM.

Higher speeds are better for carving, cutting, routing, shaping, cutting dadoes or rabbets in wood.

Hardwoods, metals and glass require high speed operation, and drilling should also be done at high speeds.



The speed of the Rotary Tool is controlled by setting this indicator on the housing.

The Settings for Approximate Revolutions Per Minute Rotary Tool Variable Speed Model 572 610530.

Switch Setting	Speed Range
1	4,500 – 8,000 RPM
2	9,000 – 11,000 RPM
3	12,000 – 17,000 RPM
4	18,000 – 24,000 RPM
5	25,000 – 30,000 RPM

NOTE: Speed is affected by voltage changes. A reduced incoming voltage will slow the RPM of the tool, especially at the lowest setting. If your tool appears to be running slowly increase the speed setting accordingly.

The point to remember is this: You can do the great majority of work with the single speed at its regular speed of 28,000 RPM. But for certain materials and types of work, you need slower speeds — which is the reason the variable speed models were developed.

To aid you in determining the optimum operational speed for different materials and different accessories, we have constructed a series of tables that appear on page 5. By referring to these tables, you can discover the recommended speeds for each type of accessory. Look these tables over and become familiar with them.

Ultimately, the best way to determine the correct speed for work on any material is to practice for a few minutes on a piece of scrap, even after referring to the chart. You can quickly learn that a slower or faster speed is more effective just by observing what happens as you make a pass or two at different speeds. When working with plastic, for example, start at a slow rate of speed and increase the speed until you observe that the plastic is melting at the point of contact. Then back the speed off slightly to get the optimum working speed.

Some rules of thumb in regard to speed:

1. Plastic and materials that melt at low temperatures should be cut at low speeds.

2. Polishing, buffing and cleaning with a wire brush should be done at speeds below 15,000 RPM to prevent damage to the brush.
3. Soft wood should be cut at high speed
4. Iron or steel should be cut at top speed if using tungsten carbide accessory, but at slower speeds if using high speed steel cutters. If a high speed steel cutter starts to chatter — this normally means it is running too slow.
5. Aluminum, copper alloys, lead alloys, zinc alloys and tin may be cut at any speed, depending on the type of cutting being done. Use paraffin or other suitable lubricant on the cutter to prevent the cut material from adhering to the cutter teeth.

Increasing the pressure on the tool is not the answer when it is not cutting as you think it should. Perhaps you should be using a different cutter, and perhaps an adjustment in speed would solve the problem. But leaning on the tool seldom helps.

STOCK NUMBER		SOFT WOOD	HARD WOOD	LAMINATES PLASTIC	STEEL	ALUMINUM, BRASS, ETC.	SHELL/ STONE	CERAMIC	GLASS
SPEED SETTINGS									
• Speed for light cuts, caution burning on deep grooves. † Depending on cutting direction, relative to grain.									
HIGH SPEED CUTTERS									
53101		5	5	3	2	4			
25014, 53102		5	3	2	1-2	2			
25012, 53070		5	5	2	3	5			
53103, 25011		5	3	2	2	2			
25008		5	5	2	1-2	1-2			
25016		4	2	1-2	2	2			
SMALL ENGRAVING CUTTERS									
53074, 53075		5	5	4	4	3			
53076		5*	5*	3*	4	2			
RUBBER POLISHING POINT									
25034					2	1			
CUTTING ACCESSORIES—SEE WARNING PAGE 7									
25026		5	5						
25024, 53088					5				
HIGH SPEED ROUTER BITS									
53094		3	3						
53107, 53108, 53109, 53111, 53095, 53096		3	2*						
53090, 53091		5	5*						
53092		5	2*						
ALUMINUM OXIDE GRINDING STONES									
53078				1		3	1-3		
25053				1		1-2	1-1		
25049, 25046				1		1-2	1-1		
25057				1		1	1-1		
25058				1		1	1-1		
SILICON CARBIDE GRINDING STONES									
53079, 53080						2	1	2	2
25062						1-2	1	2	1-2
25063						1	1	2	1
TUNGSTEN CARBIDE CUTTERS									
53071, 52072, 53104		4	4	1	2	3			
53073, 53105		5	5	1	2	3			

Rotary Tool Accessories

The number and variety of accessories for the Rotary Tool are almost limitless. There is a category suited to almost any job you might have to do — and a variety of sizes and shapes within each category which enables you to get the perfect accessory for every need.

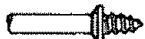
Collets



If you expect to use a variety of accessories, we recommend that in the beginning you purchase a complete set of four collets. Store these so that you will have the proper size of collet for any accessory or drill bit you want to use. Currently, the No. 25036 1/8" and No. 25037 3/32" collets accommodate all of the available Sears accessories.

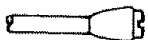
Mandrels

A mandrel is a shank with a threaded or screw head, and mandrels are required when you use polishing accessories, cutting wheels, sanding discs, and polishing points. The reason mandrels are used is that sanding discs, cutting wheels and similar accessories must be replaced frequently. The mandrel is a permanent shank, allowing you to replace only the worn head when necessary, thus saving the expense of replacing the shaft each time.



Screw Mandrel No. 53089

This is a screw mandrel used with the felt polishing tip and felt polishing wheels.



Small Screw Mandrel No. 25028

This is a mandrel with a small screw at its tip, and is used with emery cutting wheels, sanding discs and polishing wheels.



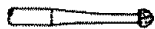
High Speed Cutters

Available in many shapes, high speed cutters are used in carving, cutting and slotting in wood, plastics and soft metals such as aluminum, copper and brass. These are the accessories to use for freehand routing or carving in wood or plastic, and for precision cutting.



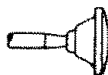
Tungsten Carbide Cutters

These are tough, long-lived cutters for use on hardened steel, fired ceramics and other very hard materials. They can be used for engraving on tools and garden equipment.



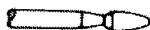
Small Engraving Cutters

This group has a wide variety of sizes and shapes, and are made for intricate work on ceramics (greenware), wood carvings, jewelry and scrimshaw. They often are used in making complicated printed circuit boards. They should not be used on steel and other very hard materials but are excellent on wood, plastic and soft metals. Needs 3/32" collet.



Aluminum Oxide Grinding Stones

Round, pointed, flat — you name the shape and there is one available in this category. These are made of aluminum oxide and cover virtually every possible kind of grinding application. Use them for sharpening lawn mower blades, screwdriver tips, knives, scissors, chisels and other cutting tools. Use to remove flash from metal castings, deburring any metal after cutting, smoothing welded joints, grinding off rivets and removing rust. In machine shops, high speed drills and cutters normally are ground with aluminum oxide wheels.



Silicon Carbide Grinding Stones

Tougher than aluminum oxide points, these are made especially for use on hard materials such as glass and ceramics. Typical uses might be the removal of stilt marks and excess glaze on ceramics and engraving on glass.



Polishing Accessories

These include an impregnated polishing point and an impregnated polishing wheel for bringing metal surfaces to smooth finish; a felt polishing tip and felt polishing wheel, and cloth polishing wheel, all used for polishing plastics, metals, jewelry and small parts. Also included in this group is a polishing compound (No. 25031) for use with the felt and cloth polishers.

Polishing points make a very smooth surface, but a high luster is obtained using felt or cloth wheels and polishing compound.

No polishing compound is needed when using the 25034 Polishing Wheel.



Aluminum Oxide Abrasive Wheels

Use to remove paint, deburr metal, polish stainless steel and other metals. Available in fine and medium grits.



Sanding Accessories

Sanding discs in fine, medium and coarse grades are made to fit mandrel No. 25028. They can be used for nearly any small sanding job you might have, from model making to fine furniture finishing. In addition, there is the drum sander, a tiny drum which fits into the Rotary Tool and makes it possible to shape wood, smooth fiberglass, sand inside curves and other difficult places, and other sanding jobs. You replace the sanding bands on the drum as they become worn and lose their grit. Bands come in fine and coarse grades.



Wire Brushes

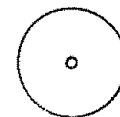
Three different shapes of wire brushes are available. For best results wire brushes should be used at speeds not greater than 15,000 RPM. They remove rust from tools and other metal surfaces, and clean and burnish metal parts. Use for such jobs as cleaning electrical connections to assure good conduction.



Bristle Brushes

These are excellent cleaning tools on silverware, jewelry and antiques. The three shapes make it possible to get into tight corners and other difficult places. Bristle brushes can be used with polishing compound for faster cleaning or polishing.

WARNING Allow brushes to run at operating speed for at least one minute before using wheel. During this time no one is to stand in front or in line with the brush. do not run in excess of 15,000 RPM.



Cutting Wheels

These thin discs of emery or fiberglass are used for slicing, cutting off and similar operations. Use them for cutting off frozen bolt heads and nuts, or to reslot a screw head which has become so damaged that the screwdriver won't work in it. Fine for cutting BX cable, small rods, tubing, cable and cutting rectangular holes in sheet metal.

WARNING When using steel saws, cutoff wheels, high speed cutters or tungsten carbide cutters, always have the work securely clamped. Never attempt to hold the work with one hand while using any of these accessories. The reason is that these wheels will grab if they become slightly canted in the groove, and can kickback causing loss of control resulting in serious injury. Your second hand should be used to steady and guide the hand holding the tool. When a cutoff wheel grabs, the wheel itself usually breaks. When the steel saws, high speed cutter or tungsten carbide cutter grab, it may jump from the groove and you could lose control of the tool.

Seguridad



Al utilizar herramientas eléctricas, siempre se deberán tomar precauciones de seguridad básicas para reducir el riesgo de incendio, sacudidas eléctricas y lesiones personales, incluyendo las siguientes:

LEA Y GUARDE TODAS LAS INSTRUCCIONES SIGUIENTES:

1. Mantenga limpia el área de trabajo — Las áreas y mesas desordenadas invitan a que se produzcan accidentes
2. Evite los entornos peligrosos — No exponga las herramientas a la lluvia. No utilice herramientas mecánicas en lugares húmedos o mojados. No utilice herramientas mecánicas en presencia de líquidos o gases inflamables. Evite los entornos en que haya productos químicos o que sean corrosivos. Mantenga el área de trabajo bien iluminada
3. Protéjase contra las sacudidas eléctricas — Evite el contacto del cuerpo con las superficies conectadas a tierra. Por ejemplo: tuberías, radiadores y refrigeradores
4. Mantenga alejados a los niños — No permita que los visitantes toquen la herramienta o el cordón de extensión. Todos los visitantes deben mantenerse alejados de las áreas de trabajo
5. Guarde las herramientas que no está usando — Cuando las herramientas no se estén utilizando, deberán guardarse en un lugar seco, alto o cerrado — fuera del alcance de los niños
6. No fuerce la herramienta — La herramienta hará el trabajo mejor y con más seguridad a la capacidad para la cual fue diseñada
7. Utilice la herramienta adecuada — No fuerce una herramienta pequeña o un accesorio pequeño a realizar el trabajo de una herramienta pesada. No utilice la herramienta para funciones para las cuales no fue diseñada — por ejemplo, no use una sierra circular para cortar ramas o troncos de árboles
8. Vistase adecuadamente — No se ponga ropa suelta ni joyas. Pueden quedar atrapadas en las piezas móviles. Se recomienda utilizar guantes de caucho y calzado antideslizante cuando se trabaja a la intemperie. Use cubiertas protectoras para el pelo a fin de sujetar el pelo largo
9. Use gafas de seguridad — Use también una careta o una máscara contra el polvo si la operación de corte genera polvo
10. No abuse del cordón — Nunca lleve la herramienta por el cordón ni tire de él para desconectarlo del tomacorriente. Proteja el cordón del calor, el aceite y los bordes afilados

11. Fije la pieza de trabajo — Utilice abrazaderas o un tornillo de carpintero para sujetar la pieza de trabajo. Es más seguro que utilizar la mano y libere ambas manos para manejar la herramienta
12. No intente alcanzar demasiado lejos — Mantenga una posición y un equilibrio adecuados en todo momento
13. Mantenga las herramientas con cuidado — Conserve las herramientas afiladas y limpias para que funcionen mejor y con más seguridad. Siga las instrucciones de lubricación y de cambio de accesorios. Inspeccione periódicamente los cordones de la herramienta y si están dañados, hágalos reparar por un centro de servicio autorizado. Inspeccione periódicamente los cordones de extensión y sustitúyalos si están dañados. Mantenga los mangos secos, limpios y libres de aceite y grasa
14. Desconecte las herramientas — Cuando no se estén utilizando, antes del servicio de ajustes y reparaciones y al cambiar accesorios tales como hojas, brocas y cortadores
15. Quite las llaves de ajuste y las llaves de apriete — Forme el hábito de asegurarse de que las llaves de ajuste y de apriete se han quitado de la herramienta antes de encenderla
16. Evite el arranque no intencionado — No lleve la herramienta enchufada con el dedo en el interruptor. Asegúrese de que el interruptor está apagado cuando la herramienta está enchufada
17. A la intemperie, utilice cordones de extensión — Cuando la herramienta se utiliza a la intemperie, use únicamente cordones de extensión diseñados para la utilización a la intemperie y marcados para ese propósito
18. Manténgase alerta — Fíjese en lo que está haciendo. Use el sentido común. No utilice la herramienta cuando esté cansado. No utilice herramientas mecánicas después de tomar drogas, alcohol o medicamentos
19. No altere ni haga uso incorrecto de la herramienta — Estas herramientas están fabricadas con precisión. Cualquier alteración o modificación no especificada constituye un uso incorrecto y puede dar lugar a una situación peligrosa

20. Evite las áreas de gases — No utilice herramientas eléctricas portátiles en atmósferas gaseosas o explosivas. Los motores de estas herramientas normalmente producen chispas y las chispas pueden dar lugar a la ignición de vapores.

21. Compruebe si hay piezas dañadas — Antes de volver a utilizar la herramienta, compruebe si hay piezas dañadas. Verifique la alineación de las piezas móviles, la sujeción de las piezas móviles, la ruptura de piezas, el montaje y cualquier otra situación que pueda afectar su funcionamiento. Una pieza que presenta daños debe ser reparada o sustituida adecuadamente en un centro de servicio autorizado antes de seguir utilizando la herramienta. Haga que cambien los interruptores defectuosos en un centro de servicio autorizado. No utilice la herramienta si el interruptor no la enciende o apaga

22. La herramienta cuenta con aislamiento doble — Y no es necesario conectarla a tierra. La herramienta está equipada con un cordón de dos alambres y un enchufe de dos terminales que se pueden utilizar en tomacorrientes estándar de 120 voltios A.C. Utilice únicamente piezas de repuesto idénticas cuando se necesite realizar servicio de reparaciones.

23. Enchufes polarizados — La herramienta está equipada con un enchufe polarizado (una terminal es más ancha que la otra). Este enchufe entrará en un tomacorriente polarizado solamente de una manera. Si el enchufe no entra por completo en el tomacorriente, déle la vuelta. Si sigue sin entrar, póngase en contacto con un electricista competente para instalar el tomacorriente adecuado. Para reducir el riesgo de sacudidas eléctricas, no haga ningún cambio en el enchufe

24. Cordones de extensión — Un cordón de tamaño insuficiente causará una caída de tensión de línea, dando lugar a pérdida de potencia y recalentamiento. Utilice un cordón de calibre 18 o más grueso. **NOTA:** Cuanto más pequeño es el número de calibre, más grueso es el cordón. (Hay cordones de extensión disponibles.)

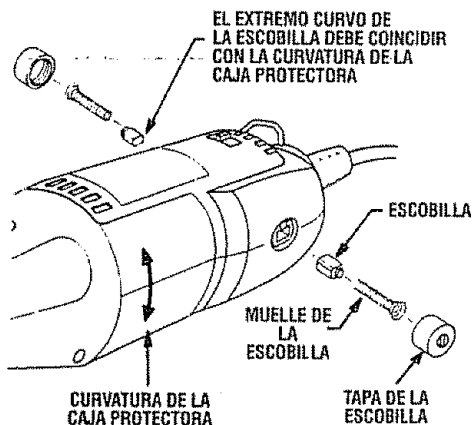
25. **ADVERTENCIA** — La utilización de cordones dañados puede producir sacudidas eléctricas, quemar o electrocutar.

LEA Y CONSERVE TODAS LAS INSTRUCCIONES ANTERIORES

Mantenimiento

MANTENIMIENTO DE ESCOBILLAS REEMPLAZABLES Modelos 572.610520, 572.610530 y 572.610720

Se deberán inspeccionar las escobillas frecuentemente cuando las herramientas se utilicen de manera continua. Si la herramienta es utilizada esporádicamente, pierde potencia, hace ruidos extraños o funciona a velocidad reducida, revise las escobillas. El seguir utilizando la herramienta en este estado la dañará de manera permanente.



Con el cordón desenchufado, saque las tapas de escobilla una a una con un destornillador pequeño girando la tapa en sentido contrario al de las agujas del reloj y revise cada escobilla.

Si la escobilla tiene una longitud inferior a 1/8" y la superficie del extremo de la escobilla que hace contacto con el conmutador está áspera y/o corroída, se deberá cambiar. Revise ambas escobillas. Normalmente, las escobillas no se desgastarán simultáneamente. Si una escobilla está desgastada, cambie ambas escobillas. Asegúrese de que las escobillas se instalan tal como se muestra en la ilustración. La superficie curva de la escobilla debe coincidir con la curvatura del conmutador.

Después de cambiar las escobillas, se deberá hacer funcionar la herramienta sin carga; colóquela sobre una superficie limpia y hágala funcionar libremente durante 5 minutos antes de someter a carga (o utilizar) la herramienta. Esto permitirá que las escobillas se asienten adecuadamente y hará que cada juego de escobillas proporcione muchas más horas de servicio. Esto también prolongará la vida total de la herramienta, ya que la superficie del conmutador tardará más en desgastarse.

RODAMIENTOS — Las herramientas mecánicas giratorias Nos. 572.610520, 572.610530 y 572.610720 tienen una construcción de rodamientos de bolas dobles. Con una utilización normal, ninguno de estos tipos requiere lubricación adicional.

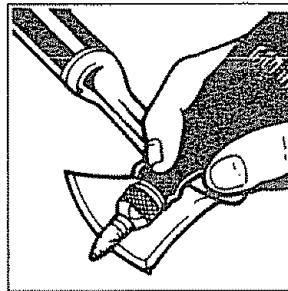
PRECAUCION:

Todo el servicio de ajustes y reparaciones de esta herramienta (excluyendo el cambio de escobillas para los modelos 572.610520, 572.610530 y 572.610720) deberá ser realizado por un representante de servicio autorizado.

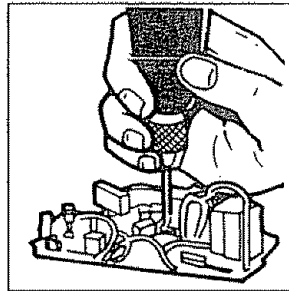
¡IMPORTANTE!

La utilización de accesorios o aditamentos que no sean los suministrados por Sears puede ser peligrosa.

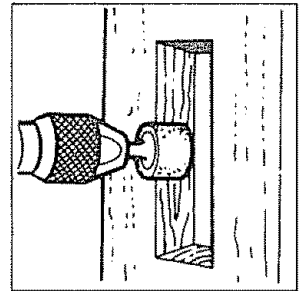
He aquí ejemplos de lo que una herramienta Craftsman de SEARS puede hacer ...



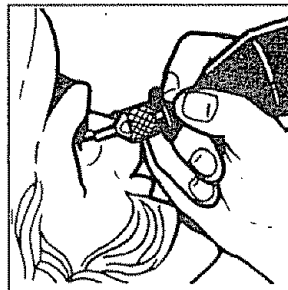
Affilar herramientas



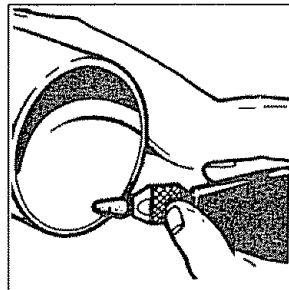
Taladrar con precisión



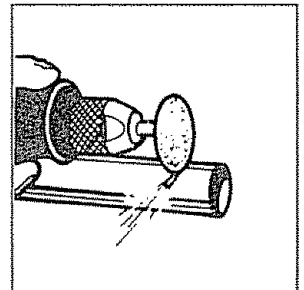
Dar forma a madera



Tallar madera



Desbarbar metal



Cortar metal



ADVERTENCIA El funcionamiento de cualquier herramienta mecánica puede dar lugar a que objetos extraños salgan despedidos y caigan en los ojos, lo cual puede tener como resultado lesiones graves en los ojos. Use siempre gafas de seguridad o protectores para los ojos antes de comenzar a hacer funcionar la herramienta mecánica. Recomendamos usar una máscara de seguridad de amplio campo visual para utilización sobre anteojos o gafas de seguridad estándar.

Cuando agarre la herramienta, tenga cuidado de no cubrir las aberturas de ventilación con la mano. Esto bloquea el flujo de aire y hace que el motor se recaliente.

ADVERTENCIA Desenchufe siempre la herramienta giratoria antes de cambiar accesorios, cambiar portaherramientas o realizar servicio de ajustes y reparaciones en la herramienta giratoria.

PORTAHERRAMIENTA — Para atornillarlo, oprima primero el cierre del eje y gire el eje a mano hasta que el cierre acople el eje, impidiendo así toda rotación posterior.

PRECAUCION No acople el cierre mientras la herramienta giratoria está en marcha.

Con el cierre del eje acoplado, utilice la llave de portaherramienta para aflojar la tuerca del portaherramienta en caso de que sea necesario. Cambie accesorios introduciendo el nuevo accesorio en el portaherramienta hasta donde se pueda para minimizar el descentramiento y el desequilibrio. Con el cierre del eje acoplado, apriete la tuerca del portaherramienta con los dedos hasta que el portaherramienta agarre el cuerpo del accesorio. Evite apretar excesivamente la tuerca del portaherramienta. El sistema de portaherramienta constituye un método excelente de fijar accesorios.

PORTAHERRAMIENTAS — Hay portaherramientas de dos tamaños distintos (vea la ilustración) disponibles para la herramienta giratoria con objeto de acomodar diferentes tamaños de cuerpo. Para instalar un portaherramienta distinto, saque la tuerca del portaherramienta y quite el portaherramienta viejo. Introduzca el extremo no ranurado del portaherramienta en el agujero que se encuentra al final del

CUADRO DE IDENTIFICACION DE PORTAHERRAMIENTAS — Los tamaños de portaherramienta se pueden identificar por medio de las anillas que se encuentran en el extremo posterior del portaherramienta.
 El portaherramienta de 1/32" tiene (1) anilla.
 El portaherramienta de 1/16" tiene (2) anillas.
 El portaherramienta de 3/32" tiene (3) anillas.
 El portaherramienta de 1/8" no tiene anillas.

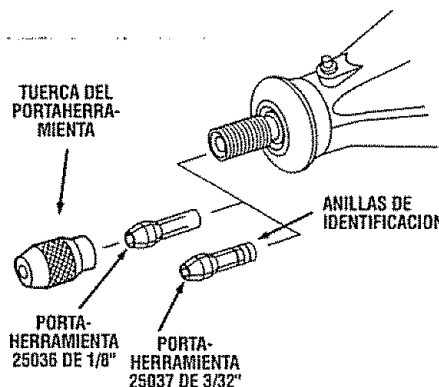
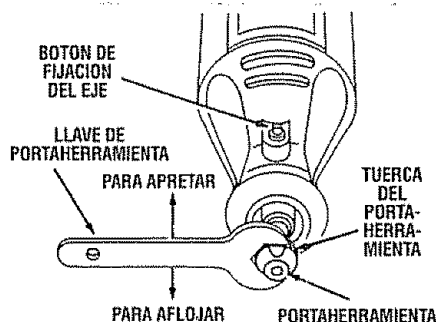
eje de la herramienta. Vuelva a colocar la tuerca del portaherramienta en el eje. Utilice siempre el portaherramienta que corresponda al tamaño del cuerpo del accesorio que usted piensa utilizar. Nunca intente introducir a la fuerza en un portaherramienta un cuerpo de diámetro más grande que el que pueda aceptar dicho portaherramienta.

EQUILIBRADO DE ACCESORIOS — Para realizar trabajo de precisión es importante que todos los accesorios se encuentren bien equilibrados (de manera muy parecida a las gomas de su automóvil). Para nivelar o equilibrar un accesorio, afloje ligeramente la tuerca del portaherramienta y haga girar el accesorio o el portaherramienta 1/4 de vuelta. Vuelva a apretar la tuerca del portaherramienta y ponga en marcha la herramienta giratoria. El sonido y la sensación del accesorio deberán permitirle saber si éste está funcionando de manera equilibrada. Siga realizando ajustes de esta manera hasta lograr el mejor equilibrio. Para mantener equilibradas las fresas abrasivas, antes de cada utilización, con la fresa fijada de manera segura en el portaherramienta, encienda la herramienta giratoria y haga funcionar la piedra de reacondicionamiento apoyándola ligeramente contra la fresa que gira. Esto quita las partes que sobresalen y nivela la fresa para que ésta quede bien equilibrada.

ADVERTENCIA No utilice ruedas de amolar de más de 1" de diámetro. La alta velocidad de la herramienta giratoria puede hacer que las ruedas más grandes se rompan y salgan despedidas, pudiendo causar lesiones.

SEGURIDAD — Protéjase los ojos al amolar o fresar con la herramienta giratoria. Use siempre unas gafas de seguridad de tipo aprobado.

Recuerde, su nueva herramienta giratoria de Sears es la mejor herramienta mecánica de su clase. Pero su rendimiento sólo es tan bueno como los accesorios con los que se utiliza. Recomendamos que únicamente se utilicen accesorios de Sears. La utilización de cualquier otro accesorio puede constituir un peligro. Esperamos que la herramienta mecánica giratoria Craftsman de Sears le permita disfrutar de muchos años de satisfacción sin problemas.



USE UNICAMENTE ACCESORIOS RECOMENDADOS

Herramienta mecánica giratoria Craftsman

La herramienta giratoria pone en la mano del usuario potencia a alta velocidad. Sirve de talladora, amoladora, pulidora, lijadora, cortadora, cepillo mecánico, taladro y más.

La herramienta giratoria tiene un pequeño y potente motor eléctrico, se agarra cómodamente con la mano y está hecha para aceptar una amplia variedad de accesorios, incluyendo ruedas abrasivas, brocas taladradoras, cepillos de alambre, pulidores, cortadores para grabar, brocas para fresar y ruedas de corte. Los accesorios vienen en formas diversas y le permiten a usted realizar varios trabajos diferentes. A medida que se vaya familiarizando con la gama de accesorios y sus usos, irá dándose cuenta de la gran versatilidad de la herramienta giratoria. Descubrirá docenas de usos en los que no había pensado hasta ahora.

El verdadero secreto de la herramienta giratoria es su velocidad. Para entender las ventajas que ofrece su alta velocidad, usted ha de saber que el taladro eléctrico portátil estándar funciona a velocidades de hasta 2,800 revoluciones por minuto. La herramienta giratoria funciona a velocidades de hasta 30,000 revoluciones por minuto. El taladro eléctrico típico es una herramienta de baja velocidad y par motor alto; la herramienta giratoria es justo lo contrario — una herramienta de alta velocidad y par motor bajo. La diferencia principal para el usuario es que en las herramientas de alta velocidad, la velocidad combinada con el accesorio montado en el portaherramienta realiza el trabajo. Usted no tiene que ejercer presión sobre la herramienta, sino simplemente sujetarla y guiarla. En las herramientas de baja velocidad, usted no sólo tiene que guiar la herramienta, sino que además tiene que ejercer presión sobre ella, tal como lo hace, por ejemplo, al taladrar un agujero.

Esta alta velocidad, junto con su tamaño compacto y amplia gama de accesorios especiales, es lo que hace que la herramienta giratoria sea distinta a otras herramientas mecánicas. La velocidad permite que la herramienta haga trabajos que las herramientas de baja velocidad no pueden hacer, tales como cortar acero templado, grabar vidrio, etc.

El sacar el mayor provecho a la herramienta giratoria es cuestión de aprender cómo dejar que la velocidad haga el trabajo para usted.

Utilización de la herramienta mecánica giratoria

Lea las siguientes secciones cuidadosamente. Le ayudarán a utilizar la herramienta giratoria correctamente y a seleccionar el accesorio correcto para el trabajo que usted desea realizar.

El primer paso para aprender a utilizar la herramienta giratoria consiste en acostumbrarse a la herramienta. Téngala en la mano y experimente la sensación que producen su peso y equilibrio. Toque la parte cónica de la caja protectora. Esta parte cónica permite agarrar la herramienta giratoria de manera muy parecida a como se agarra una pluma o un lápiz.

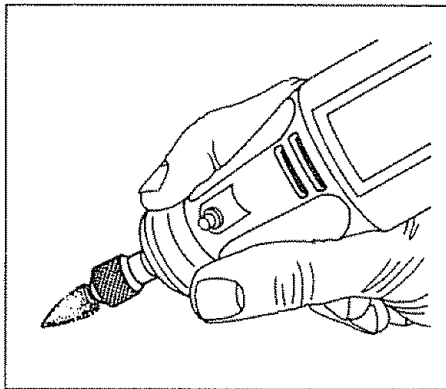
Cuando encienda la herramienta por primera vez, sosténgala alejada de la cara. Los accesorios pueden resultar dañados durante el transporte o el manejo y pueden salir despedidos al ganar velocidad. Esto no es común, pero sí sucede.

Practique primero en materiales de desecho para ver cómo corta la herramienta giratoria. Tenga en cuenta que el trabajo es realizado por la velocidad de la herramienta y por el accesorio que se encuentra en el portaherramienta. Usted

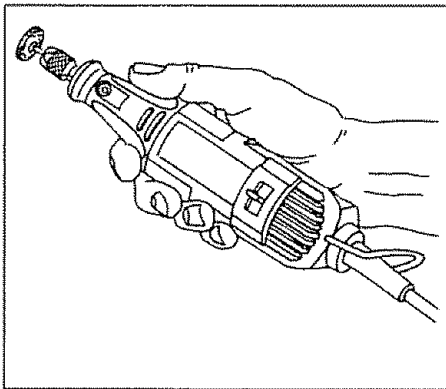
no debe apoyarse sobre la herramienta ni empujarla para que entre en la pieza de trabajo.

En vez de hacer esto, haga descender lentamente hasta la pieza de trabajo el accesorio mientras éste gira y deje que toque el punto en el cual usted quiere que comience el corte (o lijado o grabado, etc.). Concéntrese en guiar la herramienta sobre la pieza de trabajo ejerciendo muy poca presión con la mano. Deje que el accesorio realice el trabajo.

Normalmente, es mejor realizar una serie de pasadas con la herramienta en vez de intentar hacer todo el trabajo en una sola pasada. Por ejemplo, para realizar un corte, pase la herramienta hacia adelante y hacia atrás sobre la pieza de trabajo de manera muy parecida a como lo haría con una brocha pequeña. Corte un poco de material en cada pasada hasta que llegue a la profundidad deseada. Para la mayoría de los trabajos, es mejor utilizar un toque hábil y suave. Con éste, usted logra el mejor control, reduce las posibilidades de cometer errores y logrará que el accesorio realice el trabajo de la manera más eficaz posible.



Para tener mejor control al realizar trabajo fino, agarre la herramienta giratoria como un lápiz entre el dedo pulgar y el dedo índice.



Este es el método de "agarre" para sujetar la herramienta utilizado en operaciones tales como el amolado de una superficie plana o la utilización de ruedas de recortar.

ADVERTENCIA Al utilizar sierras de acero, ruedas de recortar, cortadores de carburo de tungsteno, tenga siempre la pieza de trabajo fija con abrazaderas. Nunca intente sujetar la pieza de trabajo con una mano cuando esté utilizando cualquiera de estos accesorios. La razón es que estas ruedas se atascaran si se ladean ligeramente en la ranura y pueden experimentar retroceso, causando una pérdida de control que tendrá como resultado lesiones graves. La otra mano se debe utilizar para afianzar y guiar la mano que sujeta la herramienta. Cuando una rueda de recortar se atasca, normalmente la propia rueda se rompe. Cuando la sierra de acero, los cortadores de alta velocidad o el cortador de carburo de tungsteno se atascan, es posible que salten y se salgan de la ranura, con lo que usted podría perder el control de la herramienta.

Velocidades de funcionamiento y accesorios

Ajuste el indicador de velocidad de manera adecuada para el trabajo que se va a realizar; para lograr los mejores resultados al trabajar con materiales diferentes, se deberá regular la velocidad de la herramienta giratoria. Con el modelo 572 610520 sólo se debe usar un control de velocidad de salida de onda completa tal como el modelo 2514 de Sears (disponible a través del catálogo únicamente). Los modelos 572 610530 y 572 610720 de la herramienta giratoria tienen un control de velocidad integral y nunca se deberá utilizar un control de velocidad externo con estas herramientas.

Con objeto de seleccionar la velocidad correcta para cada trabajo, utilice una pieza de material de práctica. Varíe la velocidad a fin de encontrar la mejor velocidad para el accesorio que usted está utilizando y el trabajo que va a realizar.

Hay tres tipos básicos de herramientas giratorias: modelos de una sola velocidad, de dos velocidades y de velocidad variable. En los modelos de una sola velocidad hay un interruptor "ON-OFF" (de encendido y apagado). Cuando el interruptor está encendido, la herramienta funciona a 28,000 RPM. En el modelo de dos velocidades hay un interruptor de ALTA y BAJA velocidad. Cuando el indicador del interruptor se encuentra en la posición baja, la herramienta funciona a unas 20,000 RPM. Cuando el indicador del interruptor se encuentra en la posición alta, la herramienta funciona a unas 30,000 RPM. En el modelo de velocidad variable hay un indicador del interruptor que tiene una línea blanca sobre él. Deslicelo hasta el número de la caja protectora para seleccionar la velocidad de funcionamiento que se necesita desde 5,000 hasta 30,000 RPM. Puede consultar los cuadros de la página 10 para determinar la velocidad adecuada basándose en el material en el que se está trabajando y el tipo de cortador u otro accesorio que se está utilizando. Estos cuadros le permiten seleccionar de un vistazo tanto el accesorio correcto como la velocidad óptima.

Si usted tiene un modelo de una sola velocidad o de dos velocidades, podrá utilizar muchos accesorios para realizar una gran variedad de trabajos. Para la mayoría de las aplicaciones, todos los modelos de la herramienta giratoria deberán utilizarse a máxima velocidad.

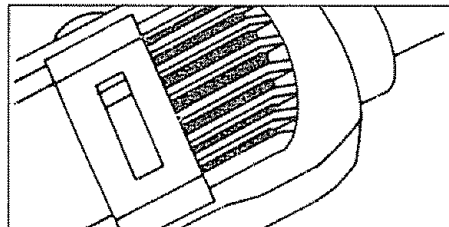
Necesidades de velocidades más lentas

Sin embargo, ciertos materiales (algunos plásticos, por ejemplo) requieren una velocidad relativamente lenta porque a alta velocidad la fricción de la herramienta genera calor y hace que el plástico se funda.

Las velocidades lentas (15 000 RPM o menos) normalmente son mejores para operaciones de pulido utilizando los accesorios de pulir de fieltro. Puede que también sean mejores para trabajar en proyectos delicados tales como trabajo de tallado de "cáscaras de huevo", tallado de madera delicada y trabajo con piezas frágiles de alambre. Siempre debe pulir con accesorios de cepillo de alambre a velocidades más lentas y nunca superiores a 15,000 RPM.

Las velocidades más altas son mejores para tallar, cortar, fresar, dar forma y cortar esquinas o rebajos en madera.

Las maderas duras, los metales y el vidrio requieren un funcionamiento a alta velocidad, y el taladrado también deberá realizarse a altas velocidades.



La velocidad de la herramienta giratoria se controla ajustando este indicador en la caja protectora.

Las posiciones correspondientes a revoluciones por minuto aproximadas para la herramienta giratoria modelo 572 610530 de velocidad variable son:

Posición del interruptor	Intervalo de velocidad
1	4,500 – 8,000 RPM
2	9,000 – 11,000 RPM
3	12,000 – 17,000 RPM
4	18,000 – 24,000 RPM
5	25,000 – 30,000 RPM

NOTA: Los cambios de tensión afectan a la velocidad. Una tensión de entrada reducida hará bajar las RPM de la herramienta, especialmente en la posición más baja. Si parece que la herramienta funciona despacio, seleccione una posición de velocidad más alta de manera correspondiente.

El punto que hay que recordar es el siguiente: Usted puede realizar la mayor parte de los trabajos con el modelo de una sola velocidad funcionando a su velocidad normal de 28,000 RPM. Pero para ciertos materiales y tipos de trabajo usted necesita velocidades más lentas — esta es la razón por la cual fueron desarrollados los modelos de velocidad variable.

Para ayudarle a determinar la velocidad de funcionamiento óptima para diferentes materiales y distintos accesorios, hemos preparado una serie de tablas que aparecen en la página 5. Consultando dichas tablas usted puede determinar las velocidades recomendadas para cada tipo de accesorio. Eche un vistazo a estas tablas y familiarícese con ellas.

En última instancia, la mejor manera de determinar la velocidad correcta para realizar trabajo en cualquier material es practicar durante unos minutos utilizando una pieza de desecho. Incluso después de consultar el cuadro. Usted puede descubrir rápidamente que una velocidad más lenta o más rápida es mucho más eficaz simplemente observando qué pasa cuando usted realiza una o dos pasadas a diferentes velocidades. Por ejemplo, al trabajar con plástico comience utilizando un régimen bajo de velocidad y aumente la velocidad hasta que observe que el plástico se está fundiendo en el punto de contacto. Luego, reduzca la velocidad ligeramente para obtener la velocidad de trabajo óptima.

Algunas reglas prácticas en cuanto a velocidad:

- 1 El plástico y los materiales que se funden a bajas temperaturas deberán cortarse a velocidades bajas

- 2 El pulido, el bruñido y la limpieza con un cepillo de alambre deberán realizarse a velocidades inferiores a 15,000 RPM para evitar que el cepillo sufra daños
- 3 La madera blanda se deberá cortar a alta velocidad
- 4 El hierro o el acero se deberán cortar a máxima velocidad si se utiliza el accesorio de carburo de tungsteno, pero a velocidades más lentas si se utilizan cortadoras de acero de alta velocidad. Si un cortador de acero de alta velocidad comienza a vibrar ruidosamente — normalmente esto significa que está funcionando demasiado despacio
- 5 El aluminio, las aleaciones de cobre, las aleaciones de plomo, las aleaciones de cinc y el estaño se podrán cortar a cualquier velocidad, según el tipo de corte que se esté realizando. Aplique al cortador parafina u otro lubricante adecuado para evitar que el material cortado se adhiera a los dientes del cortador.

El aumentar la presión ejercida sobre la herramienta no es la solución cuando ésta no corta como usted cree que debería hacerlo. Tal vez usted debería utilizar un cortador diferente y quizás un ajuste de la velocidad solucionaría el problema. Pero el apoyarse sobre la herramienta raramente ayuda.

POSICIONES DE VELOCIDAD								
* Velocidad para cortes ligeros; precaución de no quemar en ranuras profundas. † Según la dirección de corte respecto a la veta.								
NUMERO DE ARTICULO	MADERA BLANDA	MADERA DURA	MATERIALES LAMINADOS PLASTICO	ACERO	ALUMINO, LATON, ETC.	CAPARAZON/ PIEDRA	CERAMICA	VIDRIO
CORTADORES DE ALTA VELOCIDAD								
53101	5	5	3	2	4			
25014, 53102	5	3	2	1-2	2			
25012, 53070	5	5	2	3	5			
53103, 25011	5	3	2	2	2			
25008	5	5	2	1-2	1-2			
25016	4	2	1-2	2	2			
CORTADORES DE GRABAR PEQUEÑOS								
53074, 53075	5	5	4	4	3			
53076	5*	5*	3*	4	2			
PUNTA DE PULIR DE CAUCHO								
25034				2	1			
ACCESORIOS DE CORTE — VEA LA ADVERTENCIA DE LA PAGINA 7								
25026	5	5						
25024, 53088				5				
BROCAS DE ALTA VELOCIDAD PARA FRESAR								
53094	3	3						
53107, 53108, 53109, 53111, 53095, 53096	3	2*						
53090, 53091	5	5*						
53092	5	2*						
PIEDRAS DE AMOLAR DE OXIDO DE ALUMINIO								
53078			1		3	1-3		
25053			1		1-2	1-1		
25049, 25046			1		1-2	1-1		
25057			1		1	1-1		
25058			1		1	1-1		
PIEDRAS DE AMOLAR DE CARBURO DE SILICIO								
53079, 53080					2	1	2	2
25062					1-2	1	2	1-2
25063					1	1	2	1
CORTADORES DE CARBURO DE TUNGSTENO								
53071, 52072, 53104	4	4	1	2	3			
53073, 53105	5	5	1	2	3			

Accesorios para la herramienta giratoria

El número y la diversidad de accesorios para la herramienta giratoria son casi ilimitados. Hay una categoría adecuada para casi todos los trabajos que usted tenga que realizar — y una diversidad de tamaños y formas dentro de cada categoría que le permiten a usted obtener el accesorio perfecto para cada necesidad.

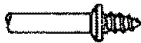


Portaherramientas

Si usted piensa utilizar diversos accesorios, le recomendamos que inicialmente compre un juego completo de cuatro portaherramientas. Guárdelos con objeto de tener el tamaño adecuado de portaherramienta para cualquier accesorio o broca taladradora que quiera usar. En la actualidad los portaherramientas No. 25036 de 1/8", y No. 25037 de 3/32" acomodan todos los accesorios Sears disponibles.

Vástagos

Un vástago es una espiga con una cabeza roscada o de tornillo, y se requieren vástagos cuando se utilizan accesorios para pulir, ruedas de corte, discos de lijar y puntas de pulir. La razón por la cual se utilizan vástagos es que los discos de lijar, las ruedas de corte y accesorios similares deben ser sustituidos frecuentemente. El vástago es una espiga permanente que permite que usted cambie únicamente la cabeza desgastada cuando sea necesario, por lo que se ahorra el costo de sustituir el eje cada vez.



Vástago de tornillo No. 53089

Este es un vástago de tornillo utilizado con la punta de pulir de fieltro y las ruedas de pulir de fieltro.



Vástago de tornillo pequeño No. 25028

Este es un vástago con un tornillo pequeño en la punta y se utiliza con ruedas de corte de esmeril, discos de lijar y ruedas de pulir.



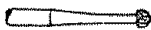
Cortadores de alta velocidad

Disponibles en muchas formas, los cortadores de alta velocidad se utilizan para tallar, cortar y ranurar madera, plásticos y metales blandos tales como aluminio, cobre y latón. Estos son los accesorios que se han de utilizar para realizar a pulso fresado o tallado de madera o plástico y para realizar cortes de precisión.



Cortadores de carburo de tungsteno

Estos son cortadores duros y de larga duración para utilización en acero templado, cerámica cocida en horno y otros materiales muy duros. Se pueden utilizar para grabar en herramientas y equipos de jardín.



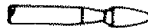
Cortadores de grabar pequeños

Este grupo de cortadores abarca una amplia gama de tamaños y formas, y los cortadores están hechos para realizar trabajo complicado en cerámica (del tipo no cocido en horno), tallados en madera, joyas y tallados en marfil, caparazones de moluscos o barbas de ballena. Se utilizan frecuentemente para hacer placas de circuitos impresos complicados. No se deben utilizar en acero ni en otros materiales muy duros, pero son excelentes en madera, plástico y metales blandos. Necesitan un portaherramienta de 3/32".



Piedras de amolar de óxido de aluminio

Redondas, puntiagudas, planas — diga qué forma quiere y habrá alguna disponible en esta categoría. Estas piedras están hechas de óxido de aluminio y cubren prácticamente todos los tipos posibles de aplicaciones de amolado. Utilícelas para afilar hojas de cortadoras de césped, puntas de destornillador, cuchillos, tijeras, cinceles y otras herramientas de corte. Utilícelas para quitar rebabas de piezas metálicas fundidas, desbarbar cualquier metal después de cortarlo, alisar juntas soldadas, amolar remaches y quitar herrumbre. En los talleres de maquinaria, normalmente las brocas y los cortadores de alta velocidad son amolados con muelas de óxido de aluminio.



Piedras de amolar de carburo de silicio

Más duras que las puntas de óxido de aluminio, estas piedras están hechas especialmente para la utilización en materiales duros tales como vidrio y cerámica. Algunos usos típicos podrían ser la remoción de marcas que sobresalgan y el exceso de esmalte en cerámica, y el grabar en vidrio.



Accesorios para pulir

Entre estos accesorios se encuentran una punta de pulir impregnada y una rueda de pulir impregnada para dar un acabado liso a las superficies metálicas; una punta de pulir de fieltro y una rueda de pulir de fieltro, y una rueda de pulir de tela. Todos estos accesorios se utilizan para pulir plásticos, metales, joyería y pequeñas piezas. También se encuentra en este grupo un compuesto para pulir (No. 25031) para utilizar con los pulidores de fieltro y de tela.

Las puntas de pulir dejan una superficie muy lisa, pero se obtiene un brillo mayor utilizando ruedas de fieltro o de tela y compuesto para pulir.

No se necesita compuesto para pulir cuando se utiliza la rueda de pulir 25034.



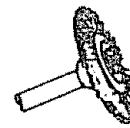
Ruedas abrasivas de óxido de aluminio

Se utilizan para quitar pintura, desbarbar metal y pulir acero inoxidable y otros metales. Disponibles con grano fino y mediano.



Accesorios para lijar

Los discos de lijar de grado fino, mediano y grueso están hechos para acoplarse en el vástago No. 25028. Se pueden utilizar para casi todos los trabajos pequeños de lijado que usted tenga que realizar, desde la fabricación de modelos hasta el acabado de muebles finos. Además, está el lijador de tambor, un diminuto tambor que encaja en la herramienta giratoria y que hace posible dar forma a madera, alisar fibra de vidrio, lijar en el interior de curvas y otros lugares difíciles y realizar otros trabajos de lijado. Cambie las bandas de lijar del tambor a medida que se vayan desgastando y pierdan el grano. Las bandas vienen en grados finos y gruesos.



Cepillos de alambre

Hay tres formas diferentes de cepillos de alambre disponibles. Para obtener mejores resultados, los cepillos de alambre se deberán utilizar a velocidades no superiores a 15.000 RPM. Estos cepillos quitan herrumbre de las herramientas y otras superficies metálicas, y limpian y bruñen piezas metálicas. Utilícelos para trabajos tales como la limpieza de conexiones eléctricas para asegurarse de que la conducción es buena.

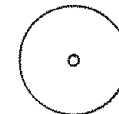


Cepillos de cerda

Estos cepillos constituyen excelentes herramientas para la limpieza de objetos de plata, joyas y antigüedades. Las tres formas hacen posible tener acceso a rincones estrechos y otros lugares difíciles. Los cepillos de cerda se pueden utilizar con compuesto para pulir con objeto de lograr una limpieza o pulido más rápido.



Deje que los cepillos estén en marcha a la velocidad de funcionamiento durante al menos un minuto antes de utilizar la rueda. Durante este tiempo nadie debe situarse delante del cepillo o en línea con este. Para obtener mejores resultados, no haga funcionar la herramienta a más de 15.000 RPM.



Ruedas de corte

Estos delgados discos de esmeril o de fibra de vidrio se utilizan para rebanar, cortar y operaciones similares. Utilícelos para cortar cabezas de perno y tuercas agarrotadas o para volver a ranurar una cabeza de tornillo que esté tan dañada que no permita usar un destornillador. Buenas para cortar cable BX, varillas pequeñas, tubería, cable, y para cortar agujeros rectangulares en chapa metálica.



Al utilizar sierras de acero, ruedas de recortar, cortadores de alta velocidad o cortadores de carburo de tungsteno, tenga siempre la pieza de trabajo fijada con abrazaderas de manera segura. Nunca intente sujetar la pieza de trabajo con una mano cuando esté utilizando cualquiera de estos accesorios. La razón es que estas ruedas se atascan si se ladean ligeramente en la ranura y pueden experimentar retroceso, causando una pérdida de control que tendrá como resultado lesiones graves. La otra mano se debe utilizar para afianzar y guiar la mano que sujeta la herramienta. Cuando una rueda de recortar se atasca, normalmente la propia rueda se rompe. Cuando las sierras de acero, el cortador de alta velocidad o el cortador de carburo de tungsteno se atascan, es posible que salten y se salgan de la ranura, con lo que usted podría perder el control de la herramienta.

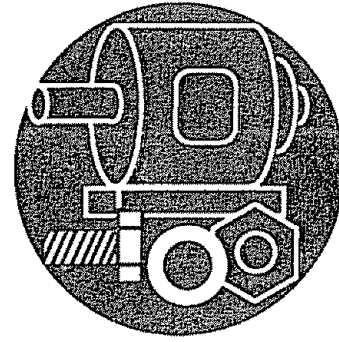
For the repair of replacement parts you need delivered directly to your home

Call 7 am – 7 pm, 7 days a week

1-800-366-PART

(1-800-366-7278)

Para ordenar piezas con entrega a domicilio – 1-800-659-7084



For in-house major brand repair service

Call 24 hours a day, 7 days a week

1-800-4-REPAIR

(1800-473-7247)

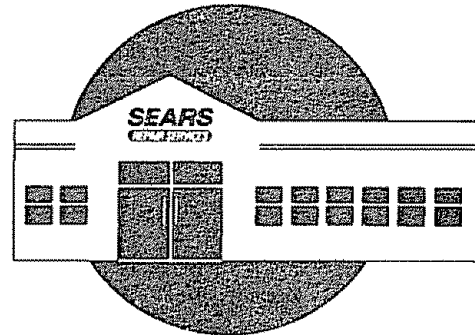
Para pedir servicio de reparación a domicilio - 1-800-676-5811



For the location of a Sears Parts and Repair Center in your area

Call 24 hours a day, 7 days a week

1-800-488-1222



When requesting service or ordering parts, always provide the following information:

- Product Type
- Part Number
- Model Number
- Part Description

Cuando solicite servicio o pida piezas, dé siempre la siguiente información:

- Tipo de producto
- Número de pieza
- Número de modelo
- Descripción de la pieza

SEARS
REPAIR SERVICES
America's Repair Specialists

Free Manuals Download Website

<http://myh66.com>

<http://usermanuals.us>

<http://www.somanuals.com>

<http://www.4manuals.cc>

<http://www.manual-lib.com>

<http://www.404manual.com>

<http://www.luxmanual.com>

<http://aubethermostatmanual.com>

Golf course search by state

<http://golfingnear.com>

Email search by domain

<http://emailbydomain.com>

Auto manuals search

<http://auto.somanuals.com>

TV manuals search

<http://tv.somanuals.com>