

Save This Manual For  
Future Reference

**SEARS**

*owners  
manual*

**MODEL NO.  
113.299780**

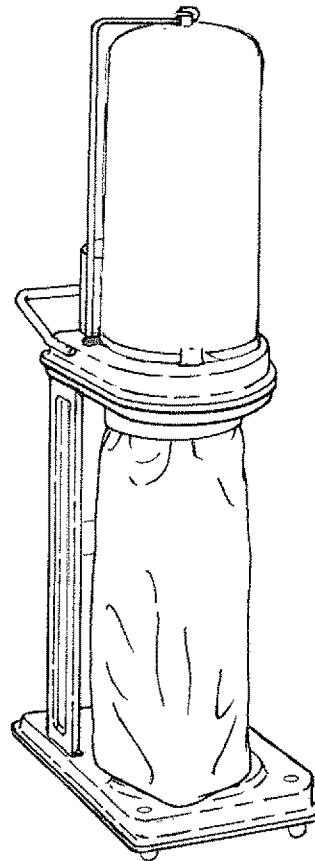
**Dust Collection  
System**

Serial  
Number \_\_\_\_\_

Model and serial number may be  
found on the motor cover.

You should record both model and  
serial number in a safe place for  
future use.

**FOR YOUR  
SAFETY:  
READ ALL  
INSTRUCTIONS  
CAREFULLY.**



**SEARS**

**CRAFTSMAN**

**DUST COLLECTION  
SYSTEM**

- **assembly**
- **operation**
- **repair parts**

**Sold by SEARS, ROEBUCK AND CO., Chicago, IL. 60684 U.S.A.**

Part No. SP5373

Printed in Taiwan

## FULL ONE YEAR WARRANTY ON CRAFTSMAN DUST COLLECTION SYSTEM

If within one year from the date of purchase, this Craftsman Dust Collection System fails due to a defect in material or workmanship, Sears will repair it, free of charge.

WARRANTY SERVICE IS AVAILABLE BY SIMPLY CONTACTING THE NEAREST SEARS SERVICE CENTER/ DEPARTMENT THROUGHOUT THE UNITED STATES.

This warranty applies only while this product is used in the United States.

This warranty gives you specific legal rights, and you may also have other rights which vary from state to state.

SEARS, ROEBUCK AND CO., D/817 WA HOFFMAN ESTATES, IL 60135

## IMPORTANT SAFETY INSTRUCTIONS

When using your Dust Collection System, follow basic safety precautions including the following.

**WARNING:** To reduce the risk of fire, electric shock, or injury:

- Read and understand this owner's manual and all labels on the Dust Collection System before operating. Use only as described in this manual. To avoid personal injury or damage to Dust Collection System, use only Sears Craftsman recommended accessories.

Sparks inside the electrical parts, can ignite flammable vapors or dust. To avoid fire or explosion:

- Do not vacuum, or use this Dust Collection System near flammable or combustible liquids, gases, gasoline or other fuels, lighter fluid, cleaners, oil-based paints, natural gas, hydrogen, or explosive dusts like coal dust, magnesium dust, grain dust, or gun powder.
- Do not vacuum anything that is burning or smoking, such as cigarettes, matches, or hot ashes.
- To avoid health hazards from vapors or dusts, do not vacuum toxic materials.
- Do not use or store near hazardous materials.
- Do not use outdoors or on wet surfaces.
- Put unit on a stable, level surface.
- Route vacuum hose and electric cord out of traffic areas.
- Do not allow to be used as a toy. Close attention is necessary when used by or near children.
- Do not leave appliance plugged in. Unplug from outlet when not in use and before servicing.

- To avoid injury from accidental starting, unplug power cord before changing or cleaning filter/dust bag or chip bag.
- Do not use without filter/dust bag and/or chip bag in place.
- Do not unplug by pulling on cord. To unplug, grasp the plug, not the cord.
- Turn off controls before unplugging.
- Do not use with damaged cord, plug or other parts. If your Dust Collection System is not working as it should, has missing parts, has been dropped, damaged, left outdoors, or dropped into water, return it to a Sears Service Center.
- Do not pull or carry by cord, use cord as handle, close a door on cord, or pull cord around sharp edges or corners. Do not run Dust Collection System over cord. Keep cord away from heated surfaces.
- Do not handle plug of the Dust Collection System with wet hands.
- Do not put any object into ventilation openings. Do not vacuum with any ventilation openings blocked; keep free of dust, lint, hair or anything that may reduce air flow.
- Keep hair, loose clothing, fingers, and all parts of body away from openings and moving parts.
- Extension cords in poor condition or that are too small can pose fire and shock hazards. When using an extension cord, be sure it is in good condition. See "Extension Cords" in the "Operation" section for proper wire sizes.
- Connect to properly grounded outlet only. (See "Grounding Instructions" on page 14.)

## SAVE THESE INSTRUCTIONS




**CAUTION:** If using this Dust Collection System to help keep airborne wood dust in heavy usage within acceptable limits, you must regularly monitor air borne dust and maintain Dust Collection System to avoid exceeding dust limits. Each application is unique. Your maintenance schedule must, therefore, be tailored to your specific use of this Dust Collection System.


Safety is a combination of common sense, staying alert and knowing how your Dust Collection System works.

### BEFORE USING THE DUST COLLECTION SYSTEM:

**WARNING:** TO AVOID MISTAKES THAT COULD RESULT IN SERIOUS, PERMANENT INJURY, DO NOT CONNECT POWER CORD UNTIL THE FOLLOWING STEPS HAVE BEEN SATISFACTORILY COMPLETED:

1. Assembly, mounting and alignment.
2. Learn the function and proper use of the ON-OFF switch.
3. Read and understand all safety instructions and operating procedures throughout the manual.
4. Read the following labels which appear on the top and bottom of filtration housing and sides of motor.

<b>WARNING</b>	
	<p>Metal shavings or dust can set sawdust on fire.            Collect wood materials only.            Do not collect metal shavings or dust.            See manual for details.</p>
	<p>Risk of electrical shock.            Use indoors in dry area.            Do not use outdoors or on wet surfaces.</p>
	<p>Sparks can ignite vapors from flammable products.            Do not use around flammable products.</p>
<p>If connected to a circuit protected by fuses, use time delay fuses with this appliance.            Electrical: 120 volts, 60 Hz AC only, 7 amps</p>	

	<b>WARNING</b>
<p>Hazardous moving parts inside            Unplug before removing inlet guard.            Attach inlet guard before plugging in.</p>	

### BEFORE EACH USE:

1. Inspect your Dust Collection System. If any parts are missing, bent, or fail in any way, or any electrical components do not work properly, turn off the Dust Collection System, remove switch key, and remove power supply cord from power supply. Replace damaged, missing or failed parts before using the Dust Collection System again.
2. Plan your work to protect your eyes, hands, face, ears and body.



A. WEAR SAFETY GOGGLES, FORESIGHT IS BETTER THAN NO SIGHT. Wear safety goggles, not glasses, that comply with ANSI Z87.1 (shown on label). Operating any power tool can result in foreign objects being thrown into the eyes which can result in permanent eye damage. Safety goggles are available at Sears retail catalog stores. Use of glasses or goggles not in compliance with ANSI Z87.1 could result in severe injury from breakage of the eye protection.

B. When cleaning collection bags, wear a dust mask.

# GENERAL SAFETY INSTRUCTIONS FOR POWER TOOLS

## 1. KNOW YOUR TOOL

Read and understand owner's manual and labels affixed to the tool. Learn its application and limitations as well as its specific potential hazards peculiar to this tool.

## 2. GROUND THE TOOL

This tool is equipped with an approved 3-conductor cord and a 3-prong grounding type plug to fit the proper grounding type receptacle. The green conductor in the cord is the grounding wire. Never connect the green wire to a live terminal.

## 3. KEEP GUARDS IN PLACE

– in working order, and in proper adjustment and alignment.

## 4. REMOVE ADJUSTING KEYS AND WRENCHES

Form habit of checking to see that keys and adjusting wrenches are removed from tool before turning it on.

## 5. KEEP WORK AREA CLEAN

Cluttered areas and benches invite accidents. Floor must not be slippery due to wax or sawdust.

## 6. AVOID DANGEROUS ENVIRONMENT

Don't use power tools in damp or wet locations or expose them to rain. Keep work area well lighted. Provide adequate surrounding work space.

## 7. KEEP CHILDREN AWAY

All visitors should be kept a safe distance from work area.

## 8. MAKE WORKSHOP CHILD-PROOF

– with padlocks, master switches, or by removing starter keys.

## 9. USE PROPER SPEED

This tool will do the job better and safer when operated at the proper speed.

## 10. USE RIGHT TOOL

Don't force tool or attachment to do a job for which it was not designed.

## 11. WEAR PROPER APPAREL

Do not wear loose clothing, gloves, neckties or jewelry (rings, wristwatches) to get caught in moving parts. Non-slip footwear is recommended. Wear protective hair covering to contain long hair. Roll long sleeves above the elbow.

## 12. USE SAFETY GOGGLES (Head Protection)

Wear safety goggles (must comply with ANSI Z87.1) at all times. Everyday eyeglasses only have impact resistant lenses, they are NOT safety glasses. Also, use face or dust mask if cutting operation is dusty, and ear protectors (plugs or muffs) during extended periods of operation.

## 13. DON'T OVERREACH

Keep proper footing and balance at all times.

## 14. MAINTAIN TOOLS WITH CARE

Keep tools sharp and clean for best and safest performance. Follow instructions for lubricating and changing accessories.

## 15. DISCONNECT TOOLS

Before servicing, when changing accessories or attachments.

## 16. AVOID ACCIDENTAL STARTING

Make sure switch is in "OFF" position before plugging in.

## 17. USE RECOMMENDED ACCESSORIES

Consult the owner's manual for recommended accessories. Follow the instructions that accompany the accessories. The use of improper accessories may cause hazards.

## 18. NEVER STAND ON TOOL

Serious injury could occur if the tool tips over. Do not store materials such that it is necessary to stand on the tool to reach them.

## 19. CHECK DAMAGED PARTS.


Before further use of the tool, a guard or other part that is damaged should be carefully checked to ensure that it will operate properly and perform its intended function. Check for alignment of moving parts, binding or moving parts, breakage of parts, mounting, and any other conditions that may affect its operation. A guard or other part that is damaged should be properly repaired or replaced.

## 20. NEVER LEAVE MACHINE RUNNING UNATTENDED

Turn power "OFF". Don't leave Dust Collection System until it comes to a complete stop.

# introduction

The Craftsman Dust Collection System is specifically designed to capture sawdust and wood chips at the source. The fine dust is filtered by the upper bag while heavy particles settle in the lower bag for easy removal. Do not use as a vacuum.

 **CAUTION:** The blower housing contains a high speed fan blade that can amputate fingers, grab loose clothing and neckties, or propel dust at high velocities. **DO NOT OPERATE WITHOUT ALL PARTS IN PLACE.**

Do not attempt to clean, remove dust bags or service unit while in operation. Disconnect from power source.

This Dust Collection System is intended for either commercial or household use.

## IMPORTANT NOTE Please Read Carefully


**Static Shocks Are Common** - in dry areas or when the relative humidity of the air is low. To reduce the fre-


quency of static shocks in your home, the best remedy is to add moisture to the air with a console or installed humidifier.


The safety information in this manual is highlighted by the following safety alert symbol.



The following signal words are used to indicate the level of risk.

 **DANGER:** Means that if the safety information is not followed, someone **will** be seriously injured or killed.

 **WARNING:** Means that if the safety information is not followed, someone **could** be seriously injured or killed.

 **CAUTION:** Means that if the safety information is not followed, someone **may** be injured.

## TABLE OF CONTENTS

ITEM	PAGE	ITEM	PAGE
WARRANTY INFORMATION .....	2	Filter/Dust Bag Assembly .....	11
IMPORTANT SAFETY INSTRUCTIONS .....	2	OPERATION .....	12
GENERAL SAFETY INSTRUCTIONS FOR		Attaching Accessories to Inlet Guard .....	12
POWER TOOLS .....	4	Connecting Dust Collection System to	
INTRODUCTION .....	5	Power Source .....	12
Unpacking and Checking Carton Contents .....	6	On/Off Switch .....	13
ASSEMBLY .....	7	Moving Dust Collection System .....	13
Mounting Front Pivoting Casters .....	7	Power Supply .....	14
Mounting Rear Fixed Casters .....	7	Grounding Instructions .....	14
Mounting Inlet Guard .....	7	Extension Cords .....	14
Mounting Support Legs .....	8	MAINTENANCE .....	15
Mounting Leg Bracket .....	8	Chip Collecting Bag Removal .....	15
Mounting Inlet Bracket .....	9	Filter/Dust Bag Removal .....	15
Mounting Base Plate .....	9	Motor .....	16
Mounting Filter/Dust Bag Holder .....	10	TROUBLESHOOTING .....	16
Mounting Handle to Filtration Housing .....	10	REPAIR PARTS .....	18
Chip Bag Assembly .....	11		

# introduction

## UNPACKING AND CHECKING CARTON CONTENTS

**WARNING: IF ANY PARTS ARE MISSING OR BROKEN, GET THE PROPER PARTS FROM SEARS BEFORE ASSEMBLY OR USING THIS DUST COLLECTION SYSTEM.**

Remove entire contents of carton. Check each item against the Carton Contents List. Notify your Sears Store immediately if any parts are damaged or missing.

### CARTON CONTENTS LIST†

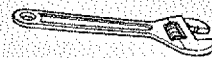
Key	Description	Qty.
A	Filter/Dust Bag	1
B	Filter/Dust Bag Hanger	1
C	Handle	1
D	Filtration Housing	1
E	Inlet Guard	1
F	Right Side Support Leg	1
G	Loose Parts Bag	1
H	Rear Fixed Casters	2
I	Base Plate	1
J	Front Pivoting Casters	2
K	Manual	1
L	Chip Collecting Bag	1
M	Bracket and Inlet Clamp	1
N	Leg Bracket	1
O	Left Side Support Leg	1
P	Adjustable Band Clamp	1
Q	Flexible Hose, 4 Inch	1
R	Adapter	1
S	O-Ring	1

**WARNING: PLUGGING THE DUST COLLECTION SYSTEM DURING ASSEMBLY CAN RESULT IN ELECTRICAL SHOCK OR YOUR FINGERS, HAND, OR ARM BEING CUT OFF FROM FAN BLADE CONTACT. DO NOT PLUG IN THE COLLECTOR AT ANY TIME DURING ASSEMBLY. THE DUST COLLECTION SYSTEM SHOULD ONLY BE PLUGGED IN WHEN IT IS TO BE USED.**

### LIST OF PARTS IN LOOSE PARTS BAG†

Key	Description	Qty.
Q	Hex Nut	
	M6 x 1	5
	3/8 - 16	2
R	Lockwasher	
	1/4	9
	5/16	8
S	Hex Screw	
	M6 x 1 - 30	4
	M6 x 1 - 12	6
	M8 x 1.25 - 12	18

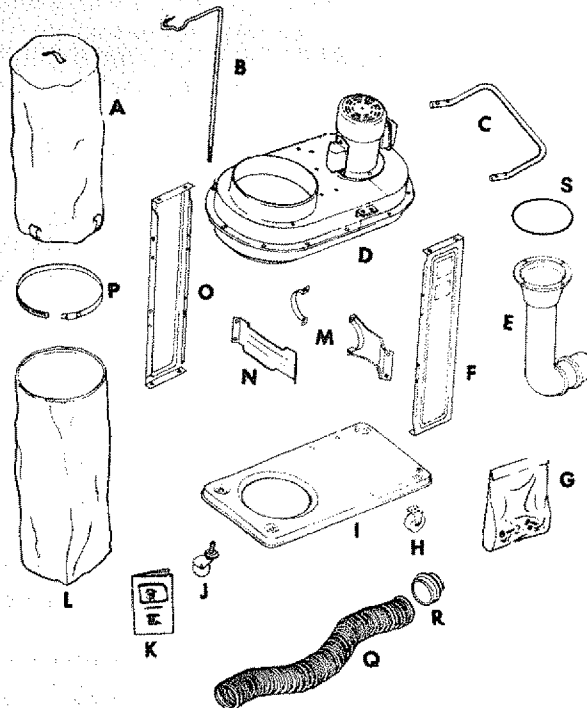
## Tools Needed



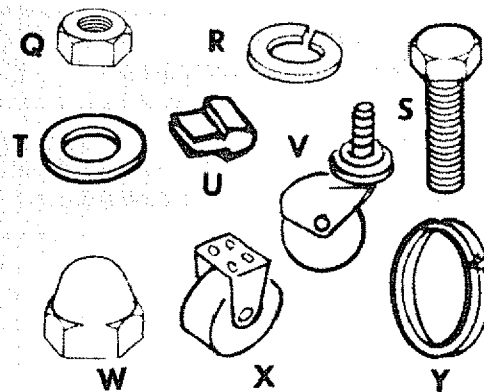
Adjustable Wrench



Screwdriver



† Items shown are not actual size



† Items shown are not actual size

T	Flat Washer	
	1/4 x 1/2	7
	5/16 x 11/16 x 1/16	18
	3/8 x 3/4	4
U	Switch Key	1
V	Pivoting Caster	2
W	Acorn Nut 3/8 - 16	2
X	Fixed Caster	2
Y	Hose Clamp	2

# assembly

## MOUNTING FRONT PIVOTING CASTERS

1. Locate the following items from the loose parts bag:

Description	Qty.
A Pivoting Casters .....	2
B Hex Nuts* (3/8 - 16) .....	2
C Flat Washers* (3/8 x 3/4) .....	4
D Acorn Nuts* .....	2
E Base Plate .....	1

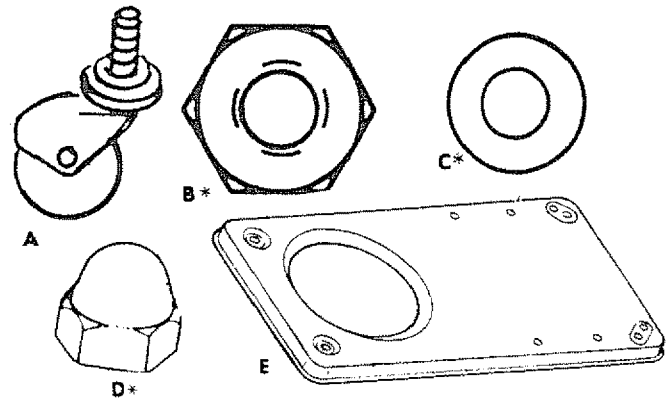
2. Screw a hex nut completely on the *Caster bolt*.

3. Position flat washer on top of previously installed hex nut and slip the *Caster bolt* through the hole on front of *Base Plate*. Position second flat washer on the bolt.

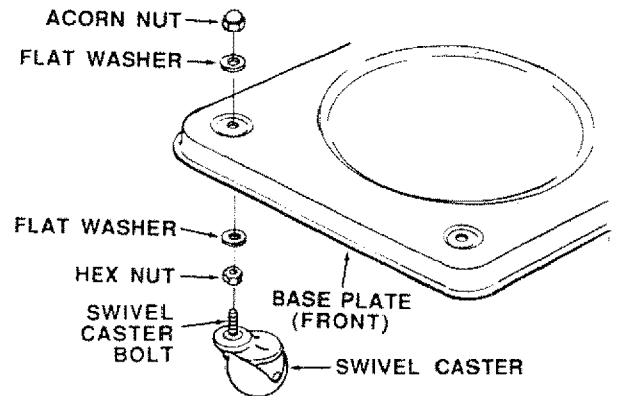
4. Screw the *Acorn Nut* on the bolt securely with an adjustable wrench.

5. Tighten the hex nut securely against the base plate.

6. Repeat steps 2 - 5 on opposite side.



\* Items are shown actual size



## MOUNTING REAR FIXED CASTERS

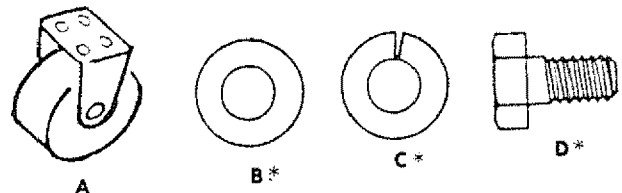
1. Locate the following items from the loose parts bag

Description	Qty.
A Fixed Casters .....	2
B Flat Washers* (1/4 x 1/2) .....	4
C Lockwashers* (1/4) .....	4
D Hex Head Screws* (M6 x 1 - 12) .....	4

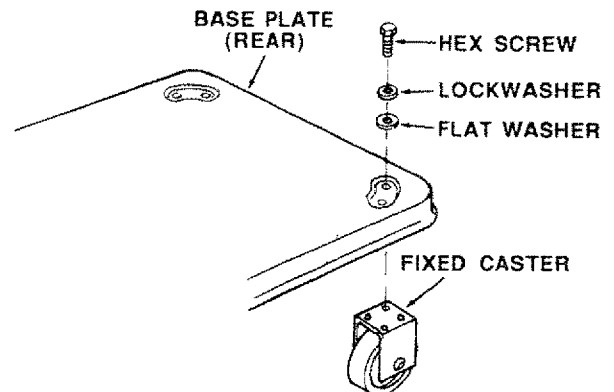
2. Position *Fixed Caster* under rear of *Base Plate* so that holes on *Caster bracket* and *Base Plate* line up.

3. Install hex screw, lock washer and flat washer as shown. Tighten securely using an adjustable wrench

4. Repeat steps 2 and 3 on opposite side.



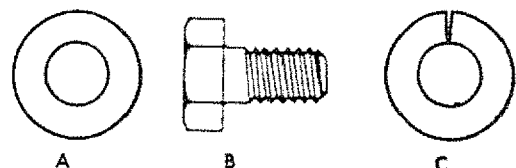
\* Items are shown actual size



## MOUNTING INLET GUARD

1. Locate the following items from the loose parts bag:

Description	Qty
A Flat Washers* (5/16 x 11/16 x 1/16) .....	4
B Hex Screws* (M8 x 1.25 - 12) .....	4
C Lockwashers* (5/16) .....	4



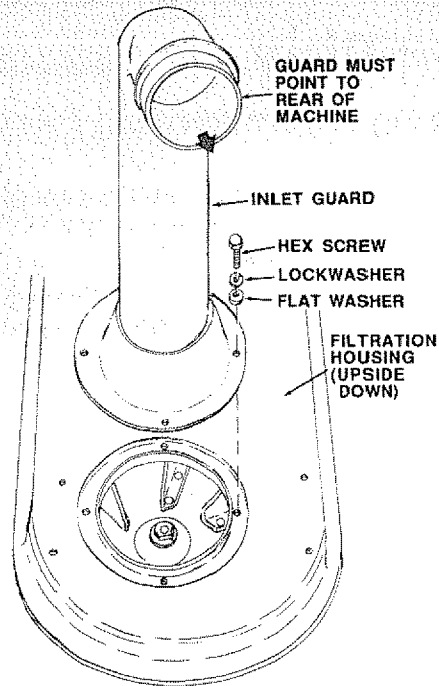
\* Items are shown actual size

2. Locate the *Filtration Housing* and *Inlet Guard*.

# assembly

- Carefully turn the *Filtration Housing* upside down so that the *Motor* endbell rests against the floor.
- Support the opposite side of *Filtration Housing* with a block of wood.
  - Place O-Ring in relief of *Inlet pipe* (See page 18)
- Position *Inlet Guard* in line with the threaded holes on the base of the *Filtration Housing*.
 

**NOTE:** Make sure *Inlet Guard* is pointing to rear of machine.
- Place lockwasher and flat washer on hex screw and insert through the holes of the *Inlet Guard* into the threaded holes of the *Filtration Housing* as shown.
- Complete the process for the other three holes using same method.

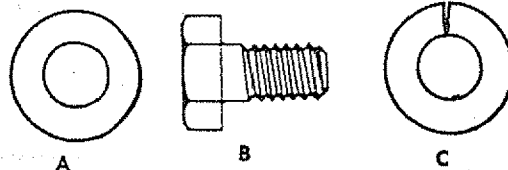


DO NOT SECURE SCREWS AT THIS TIME.

## MOUNTING SUPPORT LEGS

- Locate the following items from the loose parts bag:
 

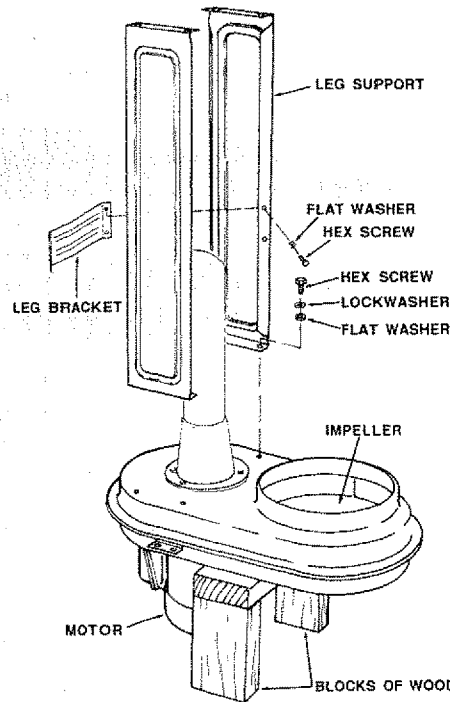
Description	Qty.
A Flat Washers* (5/16 x 11/16 x 3/32) .....	4
B Hex Screws* (M8 x 1.25 - 12) .....	4
C Lockwashers* (5/16) .....	4



\* Items are shown actual size

**CAUTION:** To avoid injury, keep hands away from fan blade.

- Position left *Leg Support* as shown.
- Place lockwasher and flat washer on hex screw and insert through the holes in the *Support Leg* and secure to the threaded holes in the *Filtration Housing* as shown.
- Use same method to attach *Right Support Leg*.
- Secure hex screws with the use of adjustable wrench.



## MOUNTING LEG BRACKET

- Locate the following items from the loose parts bag:
 

Description	Qty.
A Flat Washers* (5/16 x 11/16 x 3/32) .....	4
B Hex Screws* (M8 x 1.25 - 12) .....	4
- Insert *Leg Bracket* between the *Support Legs* and slide against the angled flange of the *Leg*.
 

**NOTE:** Make sure holes in *Leg Bracket* align with holes on *Leg Support*.
- Place flat washer on hex screw, insert through angled

flange of *Leg Support* and attach to threaded hole of *Bracket*.

- Repeat steps 2 and 3 using same process on other three holes.

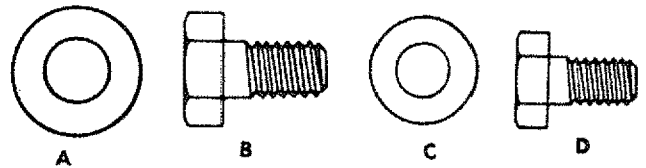


## MOUNTING INLET BRACKET

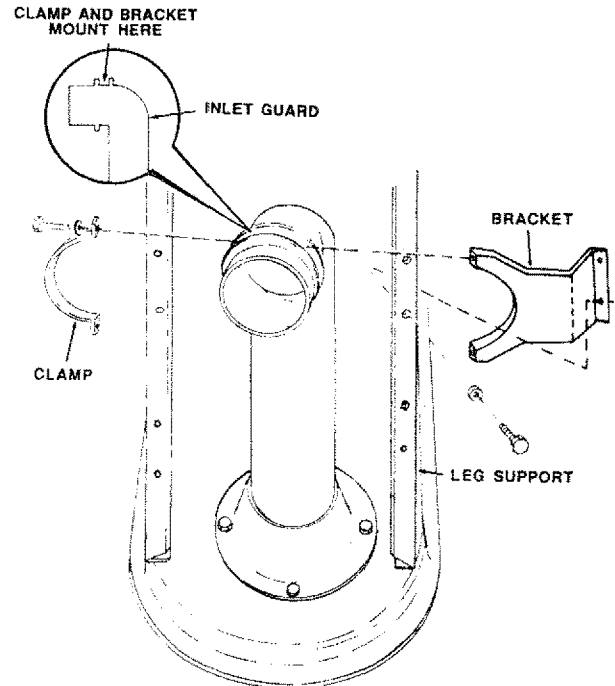
1. Locate the following items from the loose parts bag:

Description	Qty.
A Flat Washers* (5/16 x 11/16 x 1/16) .....	2
B Hex Screws* (M8 x 1.25 - 12) .....	2
C Flat Washers* (1/4 x 1/2) .....	2
D Hex Screws* (M6 x 1 - 12) .....	2

2. Insert *Inlet Bracket* between relief flange of *Inlet Guard* and against inside edge of angle flange on *Support Leg*. Make sure both holes on *Bracket* align with similar holes on *Leg Support*.
3. Place 5/16 flat washer on hex screw, insert through *Leg* hole and attach to threaded hole of *Bracket*.
4. Repeat same process for other hole and secure with use of adjustable wrench.
5. Attach *Fixed Clamp* as shown, by placing flat washer on hex screw, insert hex screw through hole of *Fixed Clamp* and attach to threaded hole of *Inlet Guard Bracket*.
6. Repeat step 5 to attach other screw below *Inlet Guard*.
7. Tighten all screws on *Legs*, *Inlet Guard*, and *Filtration Housing* securely.



\* Items are shown actual size

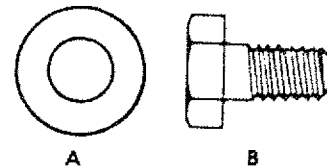


## MOUNTING BASE PLATE

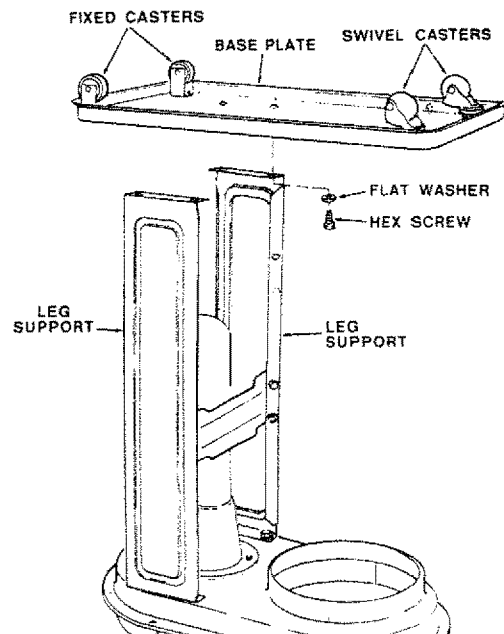
1. Locate the following items from the loose parts bag:

Description	Qty.
A Flat Washers* (5/16 x 11/16 x 1/16) .....	4
B Hex Screws* (M8 x 1.25 - 12) .....	4

2. Attach *Base Plate* to *Leg Supports* by flipping base upside down, aligning holes on both *Leg Supports*.
3. Place flat washer on hex screw, insert through hole of *Leg* and attach to threaded holes in *Base Plate* as shown.
4. Repeat same process for other three holes and secure with adjustable wrench.
5. With the assistance of another person, carefully flip the *Dust Collection System* right side up.



\* Items are shown actual size



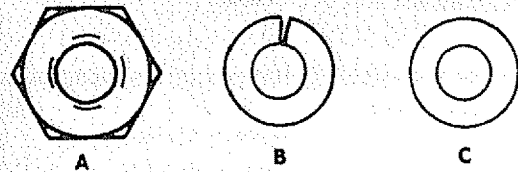
# assembly

## MOUNTING FILTER/DUST BAG HOLDER TO FILTRATION HOUSING

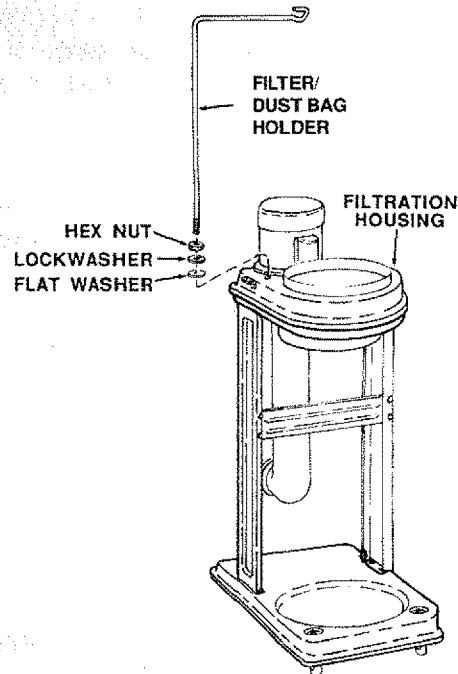
1. Locate the following items from the loose parts bag:

Description	Qty.
A Hex Nut* (M6 x 1) .....	1
B Lockwasher* (1/4) .....	1
C Flat Washer* (1/4 x 1/2) .....	1

2. Attach hex nut to threaded portion of *Filter/Dust Bag Holder* and place lockwasher and flat washer on nut as shown.
3. Insert *Filter/Dust Bag Holder* into threaded hole of *Filtration Housing* as shown.
4. Turn *Filter/Dust Bag Holder* rod clockwise until nut is secured to *Filtration Housing*.
5. Secure *Filter/Dust Bag Holder* in place with adjustable wrench.



\* Items are shown actual size

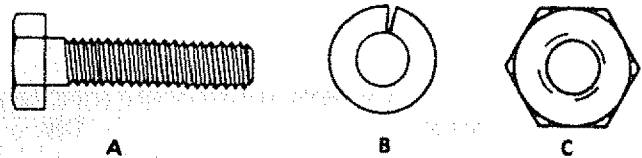


## MOUNTING HANDLE TO FILTRATION HOUSING

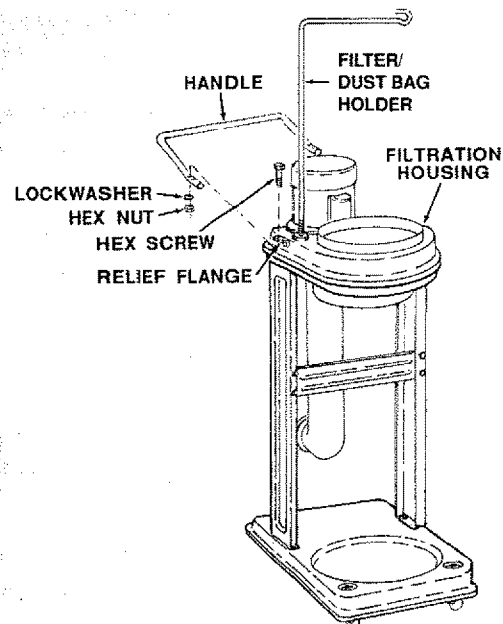
1. Locate the following items from the loose parts bag:

Description	Qty.
A Hex Screws* (M6 x 1-25) .....	4
B Lockwashers* (1/4" dia.) .....	4
C Hex Nuts* (M6 x 1) .....	4

2. Attach the ends of the *Handle* to the *Relief Flanges* on the side of *Filtration Housing* as shown.
3. Insert hex screw through the *Handle* and *Flange*.
4. Attach the lockwasher and the hex nut to the screw and tighten.
5. Repeat process for all four holes and secure with adjustable wrench.



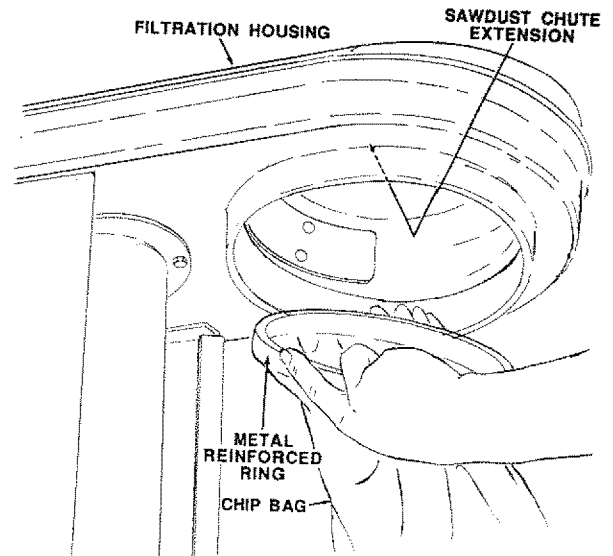
\* Items are shown actual size



---

## CHIP BAG ASSEMBLY - LOWER FILTRATION HOUSING


1. Insert lower *Chip Bag* by tilting the *Metal Reinforced Band* at an angle and position it through the hole in the lower *Filtration Housing*.
2. Tuck one side of the *Band* under the *Sawdust Chute Extension*.
3. Allow the opposite side to rest on the ridge of the opening.
4. Tug on the *Chip Bag* to insure proper seating.

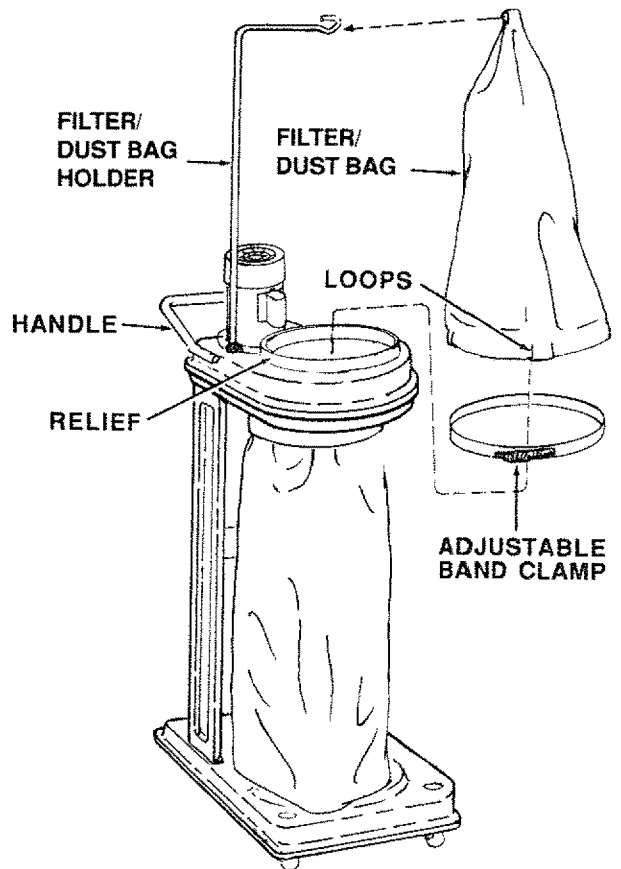


---

## UPPER FILTER/DUST BAG ASSEMBLY

1. Disconnect the *Adjustable Band Clamp* and insert the end through the loops provided at the opening of the *Filter/Dust Bag*.
2. Invert the *Filter/Dust Bag* and slip the open end of the *Bag* over the 1" *Relief* on the top opening of the *Filtration Housing*.
3. Secure the *Bag* by adjusting the rectangular bar to the fourth set of hooks.
4. Pull the lever tight until it seats itself.

 **CAUTION:** Make sure the opening of the bag is tight against the relief so dust will not escape.



# operation

This Dust Collection System is designed to be connected directly to the woodworking machines. Please, use only the parts provided for maximum efficiency.

**4" Diameter x 60" Hose.** PVC Vulcanized rubber with wire reinforcement and 2 - 4" clamps.

**4"/2-1/2" Diameter Adapter.** This connector allows direct hookup to many machines including Bandsaws, Belt and Disk Sanders, and Radial Saw Sawdust Collector.

**WARNING:** To avoid fire or explosion caused by the igniting of vapors or dust due to the arcing of

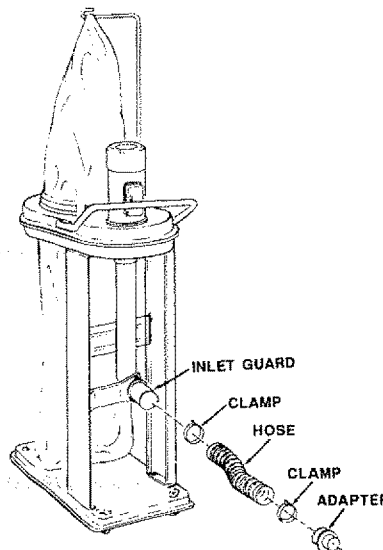
electrical parts, do not operate this Dust Collection System in areas with flammable vapors such as lighter fluid, cleaners, oil-base paints, gasoline, alcohol or explosive dust such as coal, magnesium, grain or gun powder in the air. Do not vacuum explosive dust, flammable or combustible liquids or hot ashes. To avoid health hazards from vapors or dusts, do not use near toxic materials. To avoid electrical shock, do not expose to rain. Store indoors. Unplug power cord before changing, cleaning, or emptying the filter/dust bag or chip bag.

## ATTACHING ACCESSORIES TO INLET GUARD

### 4" Diameter Hose/Clamp Assembly and Adapter

1. Open *Clamp* and insert *Hose*, by slipping *Clamp* over *Hose*. Attach to *Inlet Guard* and tighten *Clamp* with a straight blade screwdriver. Use this same process to connect *Adapter*. Tighten both *Clamps* securely to increase air velocity and reduce leakage. The *Adapter* will permit easy disconnect.

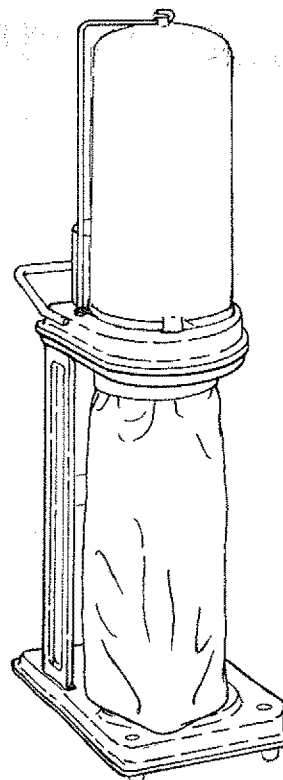
**CAUTION:** To avoid fire, use only the hose and adaptor designed for this unit. The adaptor is designed to fit only to the hose. Do not attach it directly to any other inlet opening.



## CONNECTING DUST COLLECTION SYSTEM TO POWER SOURCE

**CAUTION:** If connected to a circuit protected by fuses, use time delay fuses with this appliance.

1. Prior to connecting your Dust Collection System to any power source, be sure your bags are installed properly. This will remove any possibility of dust flying in your face.
2. The motor on your Dust Collection System is wired for 120 volts, single phase power system. Make sure the motor rating agrees with the electrical system it is to be connected to.
3. Too many machines on one circuit will blow fuses. Be careful not to overload circuit.

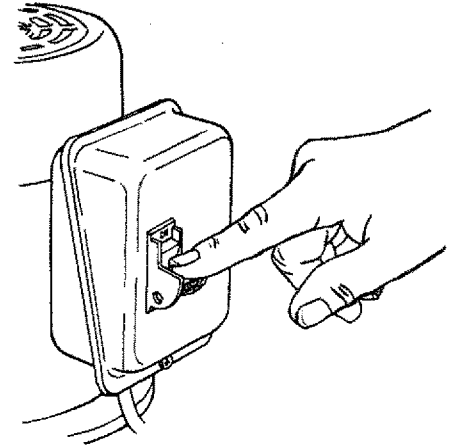


## ON / OFF SWITCH

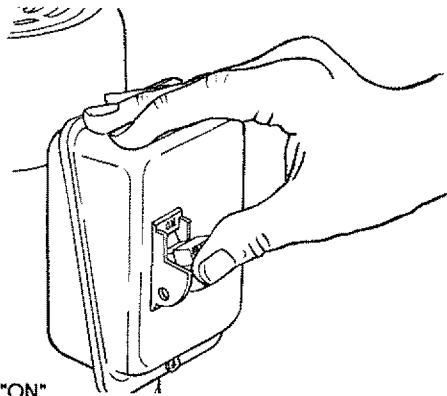
On the rear of the *Motor Housing* above the *Handle*, is the *Switch Box*. The ON/OFF Switch has the ability to be turned "ON" when the *Red Key* is properly installed. Switch to the "ON" position by moving the switch upward. Turn the switch "OFF" by moving downward. Remove the *Key* from the switch whenever the saw is turned "OFF" and keep it out of the reach of children.

**⚠ WARNING: THE DUST COLLECTION SYSTEM CAN START ACCIDENTALLY OR BE USED BY CHILDREN OR OTHERS WHEN THE KEY IS LEFT IN THE SWITCH. ALWAYS REMOVE KEY WHEN THE DUST COLLECTION SYSTEM IS 'OFF', AND KEEP IT OUT OF THE REACH OF CHILDREN.**

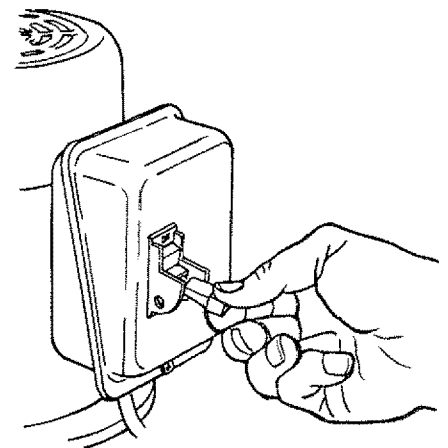
**⚠ WARNING: THE DUST COLLECTION SYSTEM WILL START IMMEDIATELY WHEN THE POWER COMES BACK ON AFTER A BLACKOUT IF THE KEY IS LEFT 'ON' IN THE SWITCH. ALWAYS TURN THE SWITCH 'OFF' AND REMOVE THE KEY.**



Turning Switch "OFF"



Turning Switch "ON"

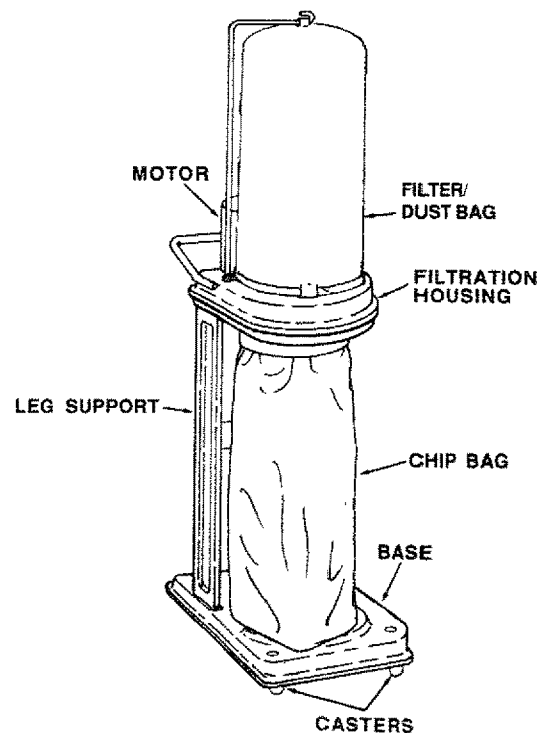


Removing Switch Key

## MOVING THE DUST COLLECTION SYSTEM

This Dust Collection System is able to move easily from one woodworking machine to another.

**⚠ CAUTION: To avoid injury from falling unit or fire from electrical cords, do not cross over large debris or electric cords when moving unit.**



# operation

## POWER SUPPLY

**WARNING:** YOUR DUST COLLECTION SYSTEM IS WIRED AT THE FACTORY FOR 120V OPERATION. CONNECT TO A 120V, 15-AMP, BRANCH CIRCUIT AND USE A 15-AMP, TIME DELAY FUSE OR CIRCUIT BREAKER. FAILURE TO CONNECT IN THIS WAY CAN RESULT IN INJURY FROM SHOCK OR FIRE.

Your Dust Collection System must be properly grounded. Not all outlets are properly grounded. If you are not sure that your outlet is properly grounded, have it checked by a qualified electrician.

**WARNING:** IF NOT PROPERLY GROUNDED, THIS DUST COLLECTION SYSTEM CAN CAUSE ELECTRICAL SHOCK, PARTICULARLY WHEN USED IN DAMP LOCATIONS.

**WARNING:** TO AVOID SHOCK OR FIRE, IF POWER CORD IS WORN, CUT, OR DAMAGED IN ANY WAY, HAVE IT REPLACED IMMEDIATELY.

## GROUNDING INSTRUCTIONS

This appliance must be grounded. If it should malfunction or breakdown, grounding provides a path of least resistance for electric current to reduce the risk of electric shock. This appliance is equipped with a cord having an equipment-grounding conductor and grounding plug. The plug must be plugged into an appropriate outlet that is properly installed and grounded in accordance with all local codes and ordinances.

**WARNING:** TO MAINTAIN PROPER DUST COLLECTION SYSTEM GROUNDING, WHENEVER THE OUTLET YOU ARE PLANNING TO USE FOR THIS POWER TOOL IS OF THE TWO PRONG TYPE, DO NOT REMOVE OR ALTER THE GROUNDING PRONG IN ANY MANNER.

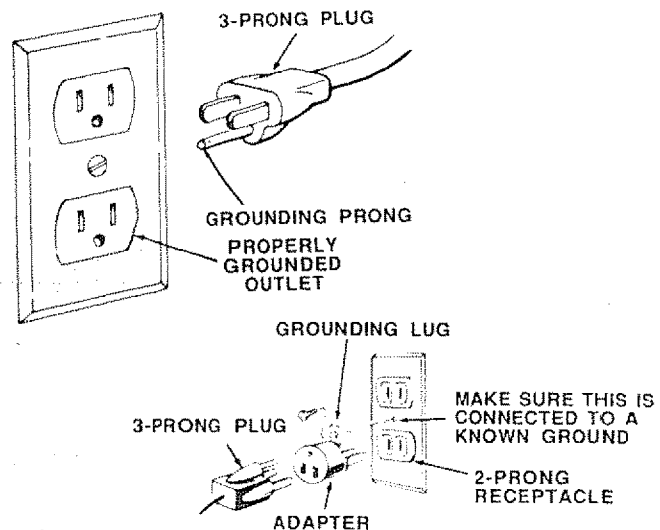
## EXTENSION CORDS

The use of any extension cord will cause some loss of power. Use the following table to determine the minimum wire size (A.W.G.) extension cord. Use only 3-wire extension cords which have 3-prong grounding type plugs and 3-pole receptacles which accept the tool's plug.

For circuits that are farther away from electrical circuit

This appliance is for use on a nominal 120-volt circuit, and has a grounded plug that looks like the plug illustrated below. A temporary adapter may be used to connect this plug to a 2-pole receptacle, as shown below, if a properly grounded outlet is not available. The temporary adapter should be used only until a properly grounded outlet can be installed by a qualified electrician. The green colored rigid ear, lug, or the like, extending from the adapter must be connected to a permanent ground such as a properly grounded outlet box cover. Whenever the adapter is used, it must be held in place by a metal screw.

**WARNING:** IMPROPER CONNECTION OF THE EQUIPMENT GROUNDING CONDUCTOR CAN RESULT IN A RISK OF ELECTRIC SHOCK. CHECK WITH A QUALIFIED ELECTRICIAN OR SERVICE PERSON IF YOU ARE IN DOUBT AS TO WHETHER THE OUTLET IS PROPERLY GROUNDED. DO NOT MODIFY THE PLUG PROVIDED WITH THE APPLIANCE IF IT WILL NOT FIT THE OUTLET, HAVE A PROPER OUTLET INSTALLED BY A QUALIFIED ELECTRICIAN.



**WARNING:** THE ADAPTER ILLUSTRATED IS FOR USE ONLY IF YOU ALREADY HAVE A PROPERLY GROUNDED 2-PRONG RECEPTACLE.

box, the wire size must be increased proportionately in order to deliver ample voltage to the sawdust collection system motor.

Length of Conductor	Wire Sizes Required
	(American Wire Gage)
0 - 25 feet	No. 16
26 - 50 feet	No. 14
51 - 100 feet	No. 12

# maintenance

**⚠ WARNING: FOR YOUR OWN SAFETY, TURN SWITCH "OFF" AND REMOVE PLUG FROM POWER SOURCE OUTLET BEFORE MAINTAINING YOUR DUST COLLECTION SYSTEM.**

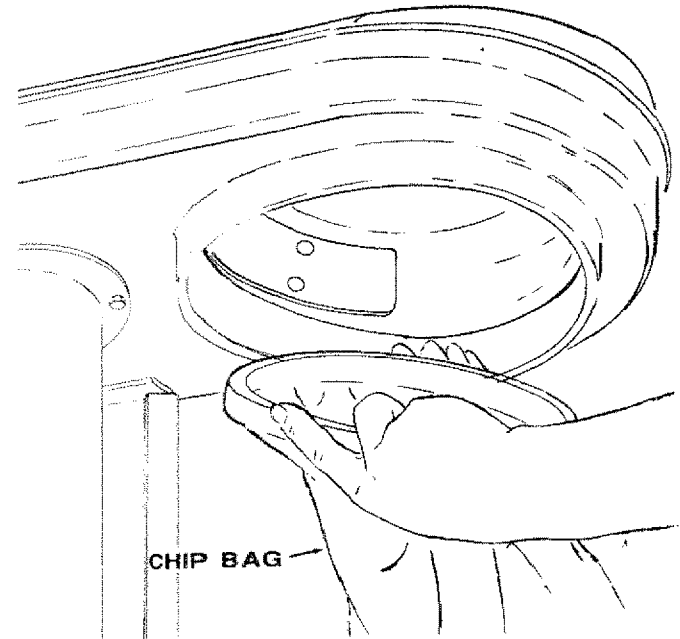
**⚠ WARNING: TO AVOID INJURY FROM ELECTRIC SHOCK OR SUDDENLY STARTING UNIT, ALWAYS REMOVE SWITCH KEY AND KEEP UNPLUGGED WHILE UNIT IS DISASSEMBLED IN ANY WAY. ALWAYS REASSEMBLE WITH RECOMMENDED PARTS BEFORE PLUGGING UNIT IN.**

## CHIP COLLECTING BAG REMOVAL

1. Push *Band* up and slide opposite edge to the middle opening.
2. Lower *Band* carefully through opening as shown. Deposit chips in appropriate metal container.

**⚠ CAUTION: Wear Safety goggles ANSI Z87.1 to protect your eyes prior to commencing operation.**

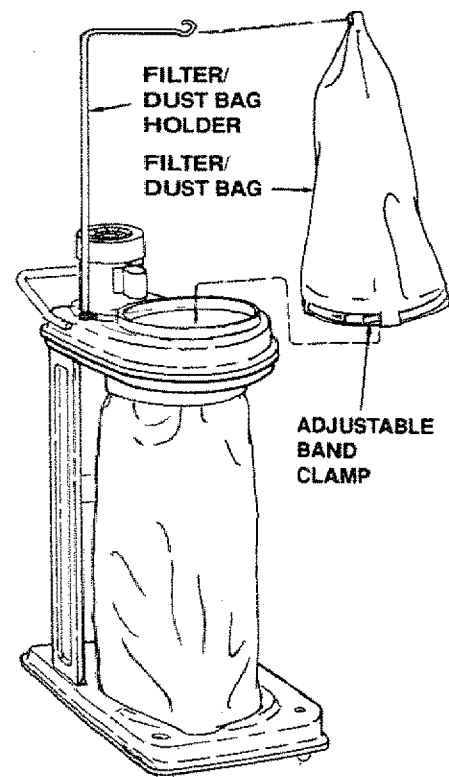
3. Reconnect the *Chip Collecting Bag* by sliding the *Band* through the hole and slide the opposite side under *Dust Chute Extension*. Seat as shown.



## FILTER/DUST BAG REMOVAL

**⚠ CAUTION: If using this Dust Collection System to help keep airborne wood dust in heavy usage within acceptable limits, you must regularly monitor air borne dust and maintain Dust Collection System to avoid exceeding dust limits. Each application is unique. Your maintenance schedule must, therefore, be tailored to your specific use of this Dust Collection System.**

1. Shake the *Filter/Dust Bag* so the fine dust falls into lower *Chip Collecting Bag*.
2. Disconnect the *Adjustable Band Clamp* by releasing the *Spring Lever Clamp*.
3. Remove the *Filter/Dust Bag* and deposit all fine dust in an appropriate metal container.
4. Reconnect the *Bag* carefully so the *Clamp* wraps around the *Bag* on all sides. Adjust the lever to the fourth hook and fasten securely.
5. Slip loop over hook on *Filter/Dust Bag Holder*.



# maintenance


## MOTOR

Excessive dust in motor could cause excessive heat in motor.

Every effort should be made to prevent foreign material from entering the motor. When operated under conditions likely to permit accumulations of dust, dirt, or waste within the motor, a visual inspection should be made at frequent intervals. Accumulations of dry dust can usually be blown out successfully.

**NOTE:** Motors used on wood-working tools are particularly susceptible to the accumulation of sawdust and wood chips and should be blown out or "vacuumed" frequently to prevent interference with normal motor ventilation.

To remove dust, blow off motor with a low pressure air hose.

 **CAUTION:** To avoid eye injury or adverse reaction to dust, high air pressure should not be used especially in poorly ventilated areas.

The operator performing this cleaning function should wear safety goggles and filter mask.

Do not use unit if power cord becomes worn or frayed.

If any servicing (other than the above cleaning) becomes necessary, it should be performed by an authorized Sears Service Center.

**NOTE:** The speed of this motor cannot be regulated or changed.

# troubleshooting

## MOTOR

PROBLEM	PROBABLE CAUSE	REMEDY SUGGESTED
Motor will not run.	<ol style="list-style-type: none"><li>1. Defective cord, plug, switch and/or motor.</li><li>2. Blown fuse.</li></ol>	<ol style="list-style-type: none"><li>1. Consult Sears Service. Any attempt to repair this motor may create a hazard unless repair is done by a qualified service technician. Repair service is available at your nearest Sears store.</li><li>2. Check for blown fuses and replace with fuse of proper capacity.</li></ol>
Excessive sawdust in air.	<ol style="list-style-type: none"><li>1. Loose connectors</li><li>2. Filter/dust bag and/or chip collection bag releasing sawdust.</li></ol>	<ol style="list-style-type: none"><li>1. Tighten connections.</li><li>2. a. Sawdust trapped between clamp bag and housing. b. Lower bag is hung up on sawdust shoot extension. Reposition chip bag properly. See "Maintenance - Chip Bag".</li></ol>
Excessive impeller noise.	<ol style="list-style-type: none"><li>1. Picked up large wood chips or debris.</li><li>2. Loose impeller.</li><li>3. Rubbing impeller.</li></ol>	<ol style="list-style-type: none"><li>1. Do not pick up metal or ferrous materials. Stop the machine and the material will fall to the bottom of inlet tube.</li><li>2. Unplug unit prior to disassembly. Hazardous moving parts inside. Attach inlet guard before plugging in. Use a piece of wood to free impeller.</li><li>3. Consult Sears Service to repair loose or rubbing impeller. A repair to the housing may create a hazard unless it is done by a qualified service technician. Repair service is available at your nearest Sears store.</li></ol>

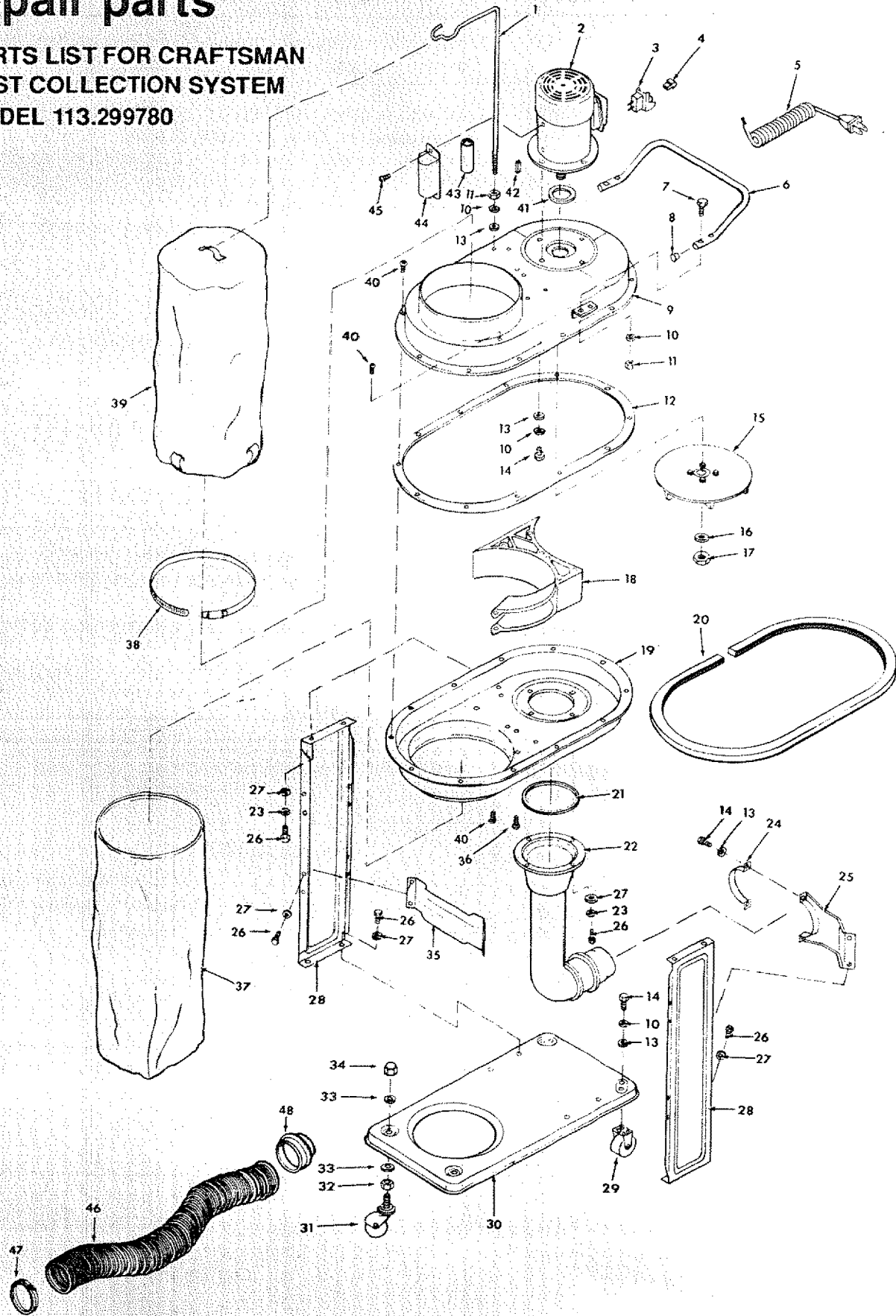


PROBLEM	PROBABLE CAUSE	REMEDY SUGGESTED
Excessive noise.	1. Motor	1. Have motor checked by qualified service technician. Repair service is available at your nearest Sears store.
Motor fails to develop full power. NOTE: LOW VOLTAGE: (Power output of motor decreases rapidly with decrease in voltage at motor terminals. For example, a reduction of 10% in voltage causes a reduction of 19% in maximum power output of which the motor is capable and a reduction of 20% in voltage causes a reduction of 36% in maximum power output.)	1. Circuit overloaded with lights, appliances and other motors. 2. Undersize extension cord or extension cord too long. 3. General overloading of power company facilities.	1. Do not use other appliances or motors on same circuit when using the Dust Collection System. 2. Increase the wire sizes on extension cords, or reduce length of extension cords. See "Motor Specifications and Electrical Requirements" section. 3. Request a power check from the power company.
Motor starts slowly or fails to come up to full speed.	1. Low voltage. 2. Windings burned out or open. 3. Starting switch will not operate. (Switch contacts working properly.) Capacitor is bad.	1. Request voltage check from the power company. 2. Have motor repaired or replaced by a qualified service technician. 3. Have capacitor replaced by a qualified service technician.
Motor overheats	1. Motor overloaded. 2. Improper cooling. (Air circulation restricted through motor due to sawdust, accumulating inside of motor.)	1. Clean out sawdust to provide normal air circulation through motor. See "Maintenance" section.
Motor stalls (resulting in blown fuses or tripped circuit breakers).	1. Voltage too low to permit motor to reach operating speed. 2. Fuses or circuit breakers do not have sufficient capacity.	1. Request voltage check from the power company. 2. Install proper size fuses or circuit breakers.
Frequent opening of fuses or circuit breakers.	1. Motor overloaded. 2. Fuses or circuit breakers do not have sufficient capacity.	1. Install proper size fuses or circuit breakers.

**NOTE:** Motors used on wood-working tools are particularly susceptible to the accumulation of sawdust and wood chips and should be blown out or "vacuumed" frequently to prevent interference with normal motor ventilation and proper operation of the centrifugally-operated starting switch.

# repair parts








PARTS LIST FOR CRAFTSMAN  
DUST COLLECTION SYSTEM  
MODEL 113.299780








# repair parts


## PARTS LIST FOR CRAFTSMAN DUST COLLECTION SYSTEM MODEL 113.299780

Always order by Part Number - not by Key Number.

Item No.	Part No.	Description
1	819166	•  Holder, Filter/Dust Bag
2	819172	 Motor, 1 H.P.
3	819187	 Switch
4	819302	 Key, Switch
5	819189	 Cord with Plug
6	819191	Handle
7	STD833025	* Screw, Hex Hd. M6 x 1-25
8	819192	Plug, Plastic
9	819171	Housing, Upper
10	STD551125	* Lockwasher, 1/4
11	STD840610	* Nut, Hex M6 x 1
12	819183	Seal, Housing
13	STD551025	* Washer, 1/4 x 1/2 x 1/16
14	STD833012	* Screw, Hex M6 x 1-12
15	819168	Impeller
16	819198-1	Washer, Flat 5/8 x 1-1/2 x 1/8
17	124944	Nut, Hex 5/8 - 18
18	819184	 Guard, Impeller
19	819182	Housing, Lower
20	819190	Sleeve, Housing Edge
21	819195	O-Ring, 135mm
22	819194	 Guard, Inlet
23	STD835010	* Screw, Hex Hd. M8 x 1.25 - 8
24	819202	Clamp, Inlet Support
25	819201	Bracket, Inlet Support
26	STD835012	* Screw, Hex Hd. M8 x 1.25 - 12

Item No.	Part No.	Description
27	819198	Washer, Flat 5/16 x 11/16 x 3/32
28	819196	Leg
29	819207	Caster, Fixed
30	819199	Base
31	819203	Caster, Pivoting
32	STD541037	* Nut, Hex 3/8 - 16
33	STD551037	* Washer, Flat 3/8 x 3/4 x 3/32
34	STD541837	* Nut, Acorn 3/8 - 16
35	819200	Bracket, Leg
36	819186	Screw, Pan Hd. M4 x 16 - 12 Ty "AB"
37	819170	 Bag, Lower Chip
38	819169	 Clamp, Filter/Dust Bag
39	819165	 Bag, Upper Filter/Dust
40	819185	Screw, Pan Hd. M4 x 16 - 10 Ty "B"
41	819173	Seal, Motor
42	819188	Key
43	819167	Capacitor
44	819174	Cover, Capacitor
45	46-57509-3	* Screw, Pan Hd. M4 x 0.7 - 10
46	819267	 Hose, Flex 4.0 Inch
47	819268	Clamp, Hose
48	819269	 Adapter, 2-1/2"/4.0"
--	508298	- Bag of Loose Parts (Not Shown)
--	SP5373	Owner's Manual (Not Shown)

\* Standard Hardware Item - May Be Purchased Locally.

 **WARNING:** These Items Are Important To The Safety Of This Tool. Do Not Substitute Common Parts.

• Any attempt to repair or replace electrical parts on this unit may create a **HAZARD** unless repair is done by a qualified service technician. Repair service is available at your nearest Sears Store.

**SEARS**

**owners  
manual**

**SERVICE**

**MODEL NO.  
113.299780  
Dust Collection  
System**

**HOW TO ORDER  
REPAIR PARTS**

## DUST COLLECTION SYSTEM

Service is available by returning this unit to the nearest Sears Service Center/Department throughout the United States.

Model and serial numbers may be found on the Motor Cover of your Dust Collection System.

WHEN ORDERING REPAIR PARTS, ALWAYS GIVE THE FOLLOWING INFORMATION:

PART NUMBER	PART DESCRIPTION
-------------	------------------

MODEL NUMBER 113.299780	NAME OF ITEM Dust Collection System
----------------------------	---

All parts listed may be ordered from any Sears Service Center and most Sears stores. If the parts you need are not stocked locally, your order will be electronically transmitted to a Sears Repair Parts Distribution Center for handling.

**Sold by SEARS, ROEBUCK AND CO., Chicago, IL. 60684 U.S.A.**

## Free Manuals Download Website

<http://myh66.com>

<http://usermanuals.us>

<http://www.somanuals.com>

<http://www.4manuals.cc>

<http://www.manual-lib.com>

<http://www.404manual.com>

<http://www.luxmanual.com>

<http://aubethermostatmanual.com>

Golf course search by state

<http://golfingnear.com>

Email search by domain

<http://emailbydomain.com>

Auto manuals search

<http://auto.somanuals.com>

TV manuals search

<http://tv.somanuals.com>