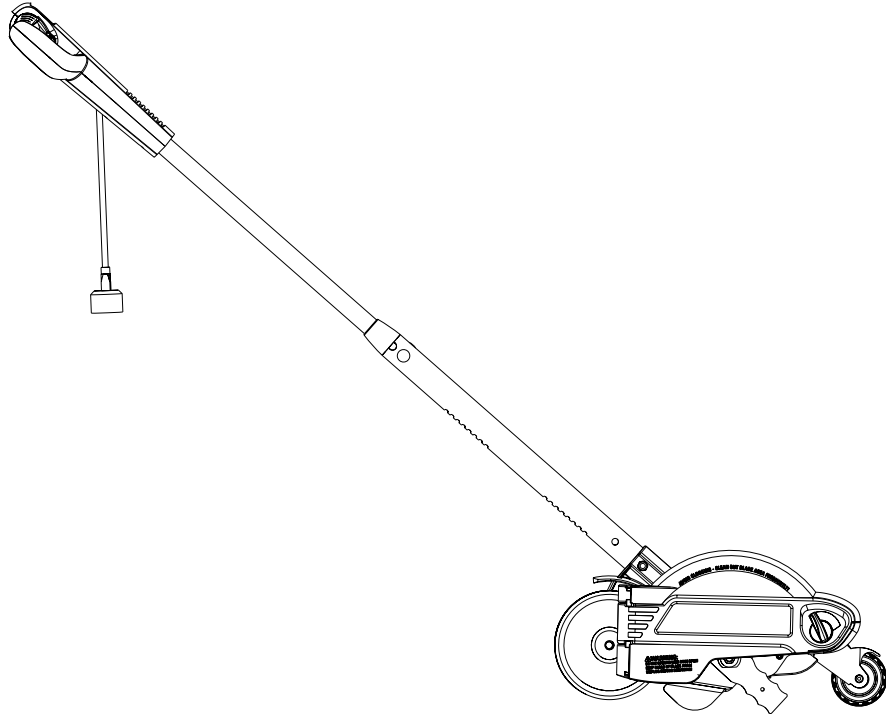


Instruction Manual



HEAVY DUTY LANDSCAPE EDGER

Models 900.79654



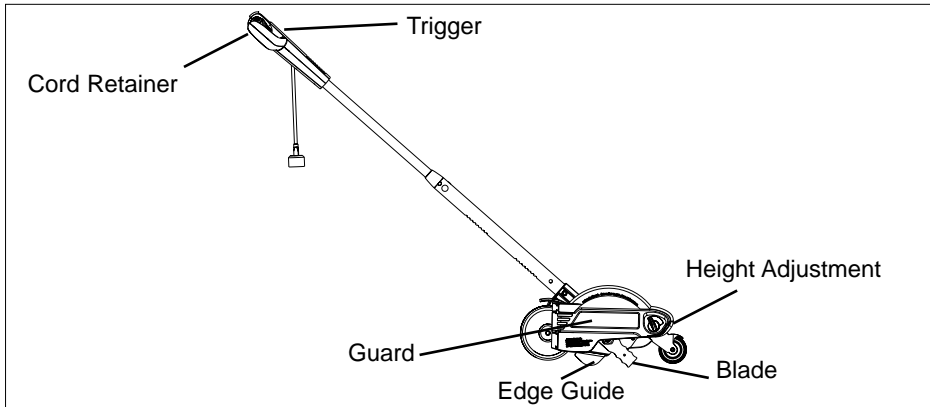
⚠ CAUTION:

Before using this product, read this manual and follow all its Safety Rules and Operating Instructions.

- Safety
- Operation
- Maintenance
- Parts List
- Español

Sears, Roebuck and Co., Hoffman Estates, IL 60179 U.S.A.
www.sears.com/craftsman

EDGER DIAGRAM



SEARS WARRANTY

FULL ONE YEAR WARRANTY ON CRAFTSMAN HEAVY DUTY LANDSCAPE EDGER

If this Craftsman product fails due to a defect in material or workmanship within one year from the date of purchase, return it to your nearest Sears store or Craftsman outlet to have it replaced free of charge.

This warranty applies only while this landscape edger is used in the United States.

This warranty gives you specific legal rights, and you may also have other rights which vary from state to state.

Sears, Roebuck and Co., Dept. 817WA, Hoffman Estates, IL 60179

⚠ WARNING: IMPORTANT SAFETY WARNINGS AND INSTRUCTIONS

TO REDUCE RISK OF INJURY:

- Before any use, be sure everyone using this tool reads and understands all safety instructions and other information contained in this manual.
- Save these instructions and review frequently prior to use and in instructing others.

⚠ **WARNING:** When using electric gardening appliances, basic safety precautions should always be followed to reduce risk of fire, electric shock, and personal injury, including the following:

READ ALL INSTRUCTIONS.

⚠ GENERAL SAFETY WARNINGS AND INSTRUCTIONS FOR ALL TOOLS

- **AVOID DANGEROUS ENVIRONMENT** - Don't use edger in damp or wet locations.
- **DON'T USE IN RAIN.**
- **KEEP CHILDREN AWAY** - All visitors should be kept at a safe distance from the work area.
- **DRESS PROPERLY** - Don't wear loose clothing or jewelry. They can be caught in moving parts. Use of rubber gloves and substantial footwear is recommended when working outdoors. Wear protective hair covering to contain long hair.

- **WEAR SAFETY GLASSES** or other eye protection. Also use face or dustmask if operation is dusty.
- **GROUND FAULT CIRCUIT INTERRUPTER (GFCI)** protection should be provided on the circuit(s) or outlet(s) to be used for the landscape edger. Receptacles are available having built-in GFCI protection and may be used for this measure of safety.

- **USE RIGHT APPLIANCE** - Do not use appliance for any job except that for which it is intended.

▲ **WARNING:** To reduce the risk of electric shock use only with an extension cord intended for outdoor use, such as SW-A, S0W-A, STW-A, STOW-A, SJW-A, SJOW-A, SJTW-A or SJTOW-A.

- **EXTENSION CORD.** Make sure your extension cord is in good condition. When using an extension cord be sure it is heavy enough to carry the current your product will draw. An undersized extension cord will cause a drop in line voltage resulting in loss of power and overheating. The following table shows the correct size to use depending on cord length and nameplate ampere rating. If in doubt, use the next heavier gage. The smaller the gage number, the heavier the cord.

Minimum Gage for Extension Cords (AWG)				
120 VAC Tools				
Total Cord Length	0-25	26-50	51-100	105-150
Amp Rating	AWG	AWG	AWG	AWG
More than 0 Not More than 6	18	16	16	14
More than 6 Not More than 10	18	16	14	12
More than 10 Not more than 12	16	16	14	12
More than 12 Not more than 16	14	12	Not Recommended	

- **AVOID UNINTENTIONAL STARTING** - Don't carry plugged in edger with finger on switch. Be sure switch is off when plugging in.
- **DON'T ABUSE CORD** - Never carry landscape edger by cord or yank it to disconnect from receptacle. Keep cord from heat, oil, and sharp edges.

- **DO NOT ATTEMPT** to remove cut material or hold material to be cut when blades are moving. Make sure edger switch is off when clearing jammed material from blades. Do not grasp the exposed cutting blades or cutting edges when picking up or holding the edger.
- ▲ **CAUTION:** Blades coast after turn off.
- ▲ **DANGER:** Risk of cut. Keep hands away from blades. Keep both hands on handles when power is on.
- **DON'T FORCE EDGER** - It will do the job better and with less likelihood of a risk of injury at the rate for which it was designed.
- **DON'T OVERREACH** - Keep proper footing and balance at all times.
- **STAY ALERT** - Watch what you are doing. Use common sense. Do not operate edger when you are tired.
- **DISCONNECT EDGER** from the power supply when not in use or when servicing or cleaning.
- **STORE IDLE EDGER INDOORS** - When not in use, edger should be stored indoors in a dry and high or locked-up place - out of reach of children.
- **KEEP GUARD** in place.
- **KEEP BLADE** area clean.
- ▲ **DANGER:** Risk of injury. Keep hands and feet away from blade and cutting area.

When using the edger, stones, pieces of metal and other objects can be thrown out at high speed by the blade. The tool and guard are designed to reduce the danger.

- **MAKE SURE** that other persons and pets are at least 100 feet away.
- **ALWAYS STAND** to left side of main handle.
- **BEFORE LANDSCAPING OR TRENCHING**, check for buried electrical cables.
- **TO REDUCE** the risk of rebound (ricochet) injury, work going away from any nearby solid object such as a wall, steps, large stone, tree, etc. Use great care when working close to solid objects or into the wind, and, where necessary, do edging or trimming by hand.

⚠ SAFETY WARNINGS

DOUBLE INSULATION

Double insulated tools are constructed throughout with two separate layers of electrical insulation or one double thickness of insulation between you and the tool's electrical system. Tools built with this insulation system are not intended to be grounded. As a result, your tool is equipped with a two prong plug which permits you to use extension cords without concern for maintaining a ground connection.

NOTE: Double insulation does not take the place of normal safety precautions when operating this tool. The insulation system is for added protection against injury resulting from a possible electrical insulation failure within the tool.

REPLACEMENT PARTS: When servicing all tools, USE IDENTICAL REPLACEMENT PARTS.

POLARIZED PLUGS

Repair or replace damaged cords. To reduce the risk of electric shock, this equipment has a polarized plug (one blade is wider than the other). This equipment must be used with a suitable polarized 2 wire or 3 wire extension cord. Polarized connections will fit together only one way. Make sure that the receptacle end of the extension cord has

large and small blade slot widths. If the plug does not fit fully into the extension cord, reverse the plug. If it still does not fit, obtain a suitable extension cord. If the extension cord does not fit fully into the outlet, contact a qualified electrician to install the proper outlet. Do not change the tool plug or extension cord in any way.

SPECIFIC WARNING

⚠WARNING: Some dust created by this product contains chemicals known to the State of California to cause cancer, birth defects or other reproductive harm.

Some examples of these chemicals are:

- compounds in fertilizers
- compounds in insecticides, herbicides and pesticides
- arsenic and chromium from chemically treated lumber

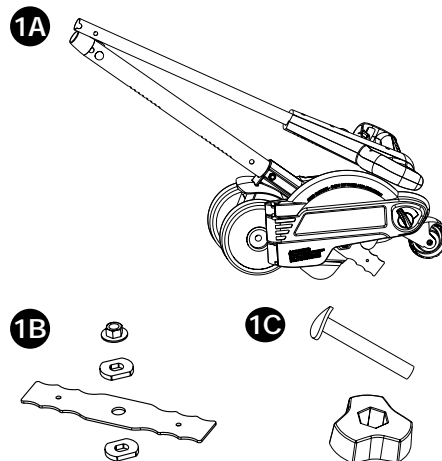
To reduce your exposure to these chemicals, wear approved safety equipment such as dust masks that are specially designed to filter out microscopic particles.

⚠WARNING: This product contains chemicals, including lead, known to the State of California to cause cancer, and birth defects or other reproductive harm. Wash hands after handling.

ASSEMBLY INSTRUCTIONS

BEFORE ASSEMBLING YOUR EDGER, CHECK THAT YOU HAVE RECEIVED THE FOLLOWING IN THE SHIPPING CARTON. SEE FIGURE 1.

- 900.79654 Landscape Edger
- Edger blade with nut, 2 washers
- Tube connecting bolt and knob (assembled to lower tube)

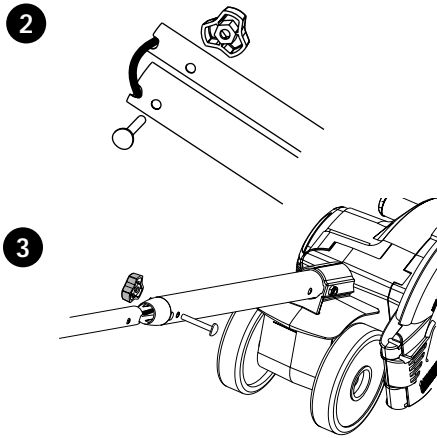


ASSEMBLING THE HANDLE

Assemble Handle Tubes (Figure 2 & 3)

1. Remove knob and curved head bolt from lower handle tube mounting holes.
2. Slide upper handle tube down into lower handle tube so that holes will line up (Figure 3).
3. **NOTE:** Ensure the wire cable moves smoothly down into the lower handle tube while assembling.
4. Fasten handle tubes together with the knob and curved head bolt. Note that when you first insert the bolt it may be necessary to wiggle it carefully to get it past the jacketed wire inside the tube.

CAUTION: NEVER use a sharp object to move jacketed wires out of the way.



OPERATING INSTRUCTIONS

Cut Depth Adjustment (Figure 4)

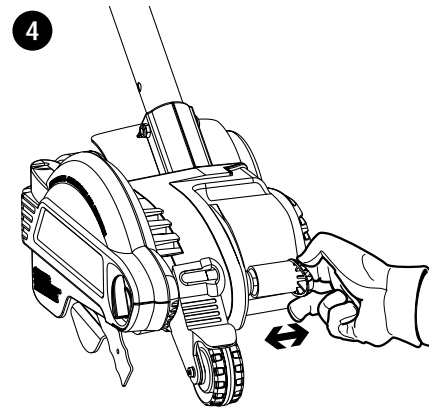
The front wheel can be adjusted to allow a deeper or shallower cut, and to increase the life of the blade. To change the cut depth from the shipping position to your desired depth:

1. Wait for blade to come to complete stop.
2. **UNPLUG TOOL!**
3. Loosen the Cut Depth Knob.
4. Adjust wheel depth, using the depth indicator on the wheel bracket and the marking on the front housing.

Note: Recommend 1" depth for edging.

5. Tighten Knob firmly.

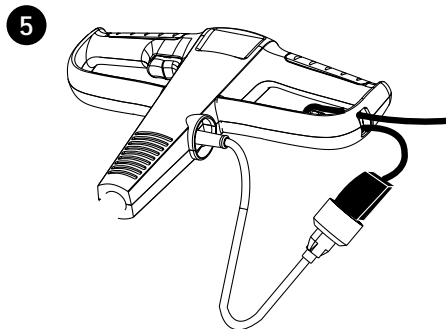
Tip: Thick overgrowth may drag on the guard. Reduce cut depth to minimum to help reduce this effect.



Attaching Extension Cord To Edger (Figure 5)

Note: Check the extension cord safety instructions provided earlier in this manual.

1. Insert plug into cord socket.
2. An extension cord retainer is built into the switch handle to reduce strain on the power cord. To use this feature, simply double the extension cord as shown, about a foot from the end, and insert it into the end of the handle. Hook the loop formed by doubling the cord over the tab. Gently tug on the cord to ensure that it is firmly retained in the handle.
3. Keep extension cord clear of operator, unit, and any obstacles at all times. Do not expose the cord to heat, oil, water, or sharp edges.



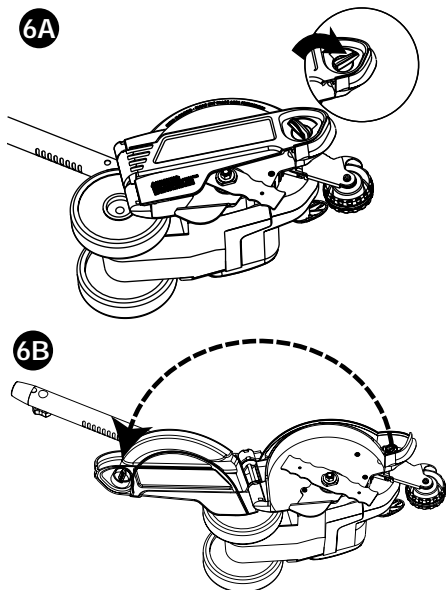
Blade Guard (Figure 6A & 6B)

Wait for blade to come to complete stop!

UNPLUG TOOL!

The guard swings open for cleaning inside of blade housing or for changing blades. To open guard turn the guard release knob clockwise (facing blade guard side of tool) until it stops (a turn of about 90°) fig. 6A detail; pull the knob to open the door (fig. 6B). When closing the guard turn the knob clockwise 90° (fig. 6A detail) and push the door completely closed. The knob should automatically lock the door. If the knob doesn't return to the locked position press the door until the knob engages.

BE SURE GUARD IS PROPERLY CLOSED AND KNOB IS LOCKING IT BEFORE OPERATING EDGER.



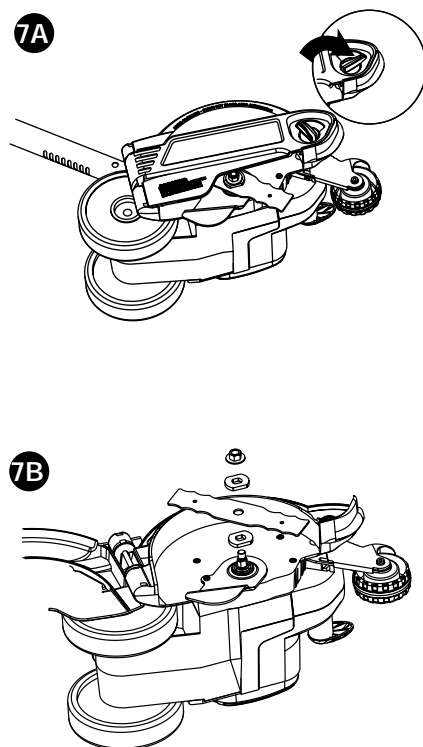
Attaching The Blade (Figure 7)

Wait for blade to come to complete stop!

UNPLUG TOOL!

The blade, two spacers and hex head nut with conical washer should be attached to your edger in the order shown. Please check that the blade has been properly mounted before using your edger. The Edger blade has two wear indicators that show when blade needs to be replaced. When the blade wears to the small hole at each end of the blade it will give only 1/4" depth of cut and should be replaced.

Tip: To increase blade life, keep initial cutting depth at minimum and increase depth setting as blade wears.



To Remove The Blade For Replacement:

Wait for blade to come to complete stop!

UNPLUG TOOL!

CAUTION: Blade rotates momentarily after the switch is released.

1. Turn knob and open guard door. (Fig. 7A)
2. Loosen the hex head nut (9/16"). Use a 1" wrench on the outer spacer, or a 2" x 4" wood block between the blade and guard if necessary to hold the blade from turning. (Fig. 7B)

To Attach New Blade:

1. Ensure inner spacer is on shaft—"flats" in spacer hole must engage with "flats" on shaft.
2. Holding the spacer in place, put the blade on the shaft, as shown (Figure 7B).
3. Hold the blade against the spacer and install the outer spacer, again aligning the flats in the spacer with the flats on the shaft.
4. Install the hex head nut and conical washer, then tighten with a wrench (140 in. pounds).

NOTE: Replace hex head nut and conical washer only with identical replacement parts; see Parts List.

5. Close guard door; knob must be in locking position.

Trigger Switch Operation

To turn tool ON, squeeze the trigger switch. The trigger has been designed so that it is very easy to hold in the ON position. To turn tool OFF, release the trigger.

NOTE: The edger is a major appliance and should not be operated simultaneously with other major appliances on the same household circuit.

Edger Operation

▲ WARNING: Make sure that other persons and pets are at least 100 feet away.

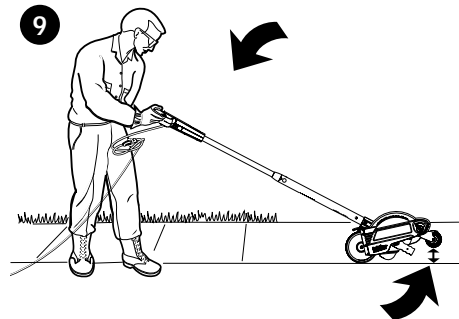
1. Set cut depth at 1" and set edge guide to the down position, refer to Assembly Instructions.
2. Before starting the edger, line up the tool so the edge guide rests against the edge of the paved surface (Figure 8). Both rear wheels should be on the paved surface when edging.
3. To avoid kickback of edger, tilt the handle down so the blade is above the ground (Figure 9).
4. Turn switch ON and allow blade to spin without moving tool.
5. Slowly lift the handle to lower the blade, finding the edge of the paved surface and start edging. Then move tool forward slowly along edge of paved surface, keeping the edge guide pressed lightly against the pavement edge.

Tip: When there is heavy overgrowth of grass over the paved surface it may drag on the guard. An initial cut may be required with the edger on the

grass side. This will require lifting up the edge guide and may require reducing the depth of cut.

For the first edging each season, it is best to move forward slowly because grass is thickest then. On subsequent edgings you should be able to move forward more rapidly. If the tool slows down, back it up an inch or two until the blade comes up to normal speed. During edging some sparks may be generated from hitting stones. This is normal. Do not attempt to edge when the grass or soil is wet or moist—for electrical safety and to prevent clogging of the blade chamber. If you must edge under conditions that cause the blade chamber to become clogged, release trigger and wait for blade to come to complete stop! **UNPLUG TOOL!** Open door and remove clogged material with a stick. To continue to operate the tool in a clogged condition will seriously overload the motor.

▲ CAUTION: Do not attempt to unclog the blade chamber by dropping or tapping the tool on the ground. This can damage the unit. Keep hands clear of edge guide and blade when cleaning as these wear to a very sharp point during edging.



Landscaping/Trenching

▲ WARNING: Before Landscaping or Trenching, inspect and ensure there are no objects that may create a hazard or interfere with operating the edger. Do not overload. If tool slows, pull back slightly and wait until blade comes up to normal speed.

▲ WARNING: DO NOT use the edger with any type of accessory or attachment. Such usage might be hazardous.

MAINTENANCE

When cleaning, DO NOT immerse tool in water or squirt it with a hose.

IMPORTANT: To assure product SAFETY and RELIABILITY, repairs, should be performed by qualified service organizations. Use only identical replacement parts. Inspect and thoroughly clean your edger at the beginning of each edging season for longer life and better performance.

The cutting blades are made from high quality, hardened steel and with normal use, they will not require resharpening. However, if you accidentally hit a wire fence, stones, glass or other hard objects, you may put a nick in the blade. There is no need to remove this nick as long as it does not interfere with the movement of the blade. If it does interfere, unplug unit and use a fine toothed file or sharpening stone to remove the nick. If you drop the edger, carefully inspect it for damage. If the blade is bent, housing cracked, or handles broken or if you see any other condition that may affect the edger's operation, contact your local Sears Service Center for repairs before putting it back into use.

Cleaning

With the unit unplugged, use only mild soap and a damp cloth to clean the tool. Never let any liquid get inside the tool; never immerse any part of the tool into a liquid.

Storage

▲ WARNING! Be sure the tool is unplugged.

Remove and clean any debris from the outside of the edger and inside of guard before storage. See **Cleaning**.

▲ CAUTION: DO NOT HANG EDGER ON THE SWITCH TRIGGER OR POWER CORD!

Note: Do not store the tool on or adjacent to fertilizers or chemicals. Such storage can cause rapid corrosion.

Preventing Corrosion

Fertilizers and other garden chemicals contain agents that greatly accelerate the corrosion of metals. If you use the tool in areas where fertilizers or chemicals have been used, the tool should be cleaned immediately afterwards. Do not store the tool on or adjacent to fertilizers or chemicals.

Wipe all exposed parts with a damp cloth. You may lubricate only metal parts with a light petroleum based oil.

Get it fixed, at your home or ours!

Your Home

For repair - **in your home** - of **all** major brand appliances, lawn and garden equipment, or heating and cooling systems, **no matter who made it, no matter who sold it!**

For the replacement parts, accessories and owner's manuals that you need to do-it-yourself.

For Sears professional installation of home appliances and items like garage door openers and water heaters.

1-800-4-MY-HOME® Anytime, day or night
(1-800-469-4663) (U.S.A. and Canada)
www.sears.com www.sears.ca

Our Home

For repair of carry-in products like vacuums, lawn equipment, and electronics, call or go on-line for the nearest **Sears Parts and Repair Center.**

1-800-488-1222 Anytime, day or night (U.S.A. only)
www.sears.com

To purchase a protection agreement (U.S.A.) or maintenance agreement (Canada) on a product serviced by Sears:

1-800-827-6655 (U.S.A.) **1-800-361-6665** (Canada)

Para pedir servicio de reparación a domicilio, y para ordenar piezas:

1-888-SU-HOGARSM
(1-888-784-6427)

Au Canada pour service en français:

1-800-LE-FOYER^{MC}
(1-800-533-6937)
www.sears.ca

SEARS

© Sears, Roebuck and Co.

® Registered Trademark / TM Trademark / SM Service Mark of Sears, Roebuck and Co.

® Marca Registrada / TM Marca de Fábrica / SM Marca de Servicio de Sears, Roebuck and Co.

^{MC} Marque de commerce / ^{MD} Marque déposée de Sears, Roebuck and Co.

Free Manuals Download Website

<http://myh66.com>

<http://usermanuals.us>

<http://www.somanuals.com>

<http://www.4manuals.cc>

<http://www.manual-lib.com>

<http://www.404manual.com>

<http://www.luxmanual.com>

<http://aubethermostatmanual.com>

Golf course search by state

<http://golfingnear.com>

Email search by domain

<http://emailbydomain.com>

Auto manuals search

<http://auto.somanuals.com>

TV manuals search

<http://tv.somanuals.com>