

Operator's Manual

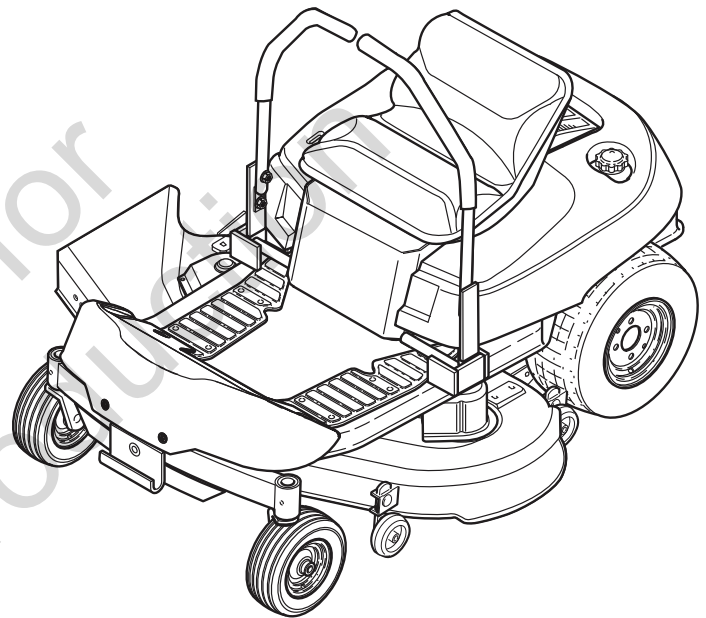
CRAFTSMAN®

ZTS 6000

Zero-Turn Rear Engine Riders with Electric Start

Model No.

107.289930 (26HP Kohler Engine with 52" Mower)



CAUTION: Before using this product, read the manual and follow all its Safety Rules and Operating Instructions.

For answers to your questions about this product, call:

1-800-659-5917

Sears Craftsman Help Line

5 am - 5 pm, Mon - Sat

Nota: Una traducción en español de este Manual del Operador puede encontrarse en la página 37.

Sears, Roebuck and Co., Hoffman Estates, IL 60179 U.S.A.

Visit our Craftsman website: www.sears.com/craftsman

7103218
Revision B

Not for
Reproduction

TABLE OF CONTENTS

Warranty Statement.....	3	Storage	34
Safety Rules & Information.....	4	Specifications	34
Identification Numbers.....	9	Troubleshooting.....	35
Assembly.....	10	Spanish Operator's Manual	37
Pre-Operation.....	13	Repair Parts	PTS-1
Operation.....	14	Hardware and Torque Specifications	PTS-36
Maintenance.....	21	Repair Protection Agreement.....	Inside Back Cover
Service & Adjustments	29	Service Numbers.....	Back Cover

NOTE: In this manual, "left" and "right" are referred to as seen from the operating position.

WARRANTY

CRAFTSMAN FULL WARRANTY

When operated and maintained according to all supplied instructions, if any non-expendable part of this riding equipment fails due to a defect in material or workmanship within two years from the date of purchase, call 1-800-659-5917 to arrange for free in-home repair.

The frame and front axle will be repaired free of charge for five years from the date of purchase if defective in material or workmanship.

All of the above warranty coverage applies for only 90 days from the date of purchase if this riding equipment is ever used for commercial or rental purposes.

In all cases, if repair proves impossible, the riding equipment will be replaced free of charge with the same or an equivalent model.

The battery will be replaced free of charge for 90 days from the date of purchase if defective in material or workmanship (our testing proves that it will not hold a charge).

This warranty covers ONLY defects in material and workmanship. Sears will NOT pay for:

- Expendable items that become worn during normal use, including but not limited to blades, spark plugs, air cleaners, belts, and oil filters.
- Standard maintenance servicing, oil changes, or tune-ups.
- Tire replacement or repair caused by punctures from outside objects, such as nails, thorns, stumps, or glass.
- Tire or wheel replacement or repair resulting from normal wear, accident, or improper operation or maintenance.
- Repairs necessary because of operator abuse, including but not limited to damage caused by towing objects beyond the capability of the riding equipment, impacting objects that bend the frame or crankshaft, or over-speeding the engine.
- Repairs necessary because of operator negligence, including but not limited to, electrical and mechanical damage caused by improper storage, failure to use the proper grade and amount of engine oil, failure to keep the deck clear of flammable debris, or failure to maintain the riding equipment according to the instructions contained in the operator's manual.
- Engine (fuel system) cleaning or repairs caused by fuel determined to be contaminated or oxidized (stale). In general, fuel should be used within 30 days of its purchase date.
- Normal deterioration and wear of the exterior finishes, or product label replacement.

This warranty applies only while this product is within the United States.

This warranty gives you specific legal rights, and you may also have other rights which vary from state to state.


Sears, Roebuck and Co., Hoffman Estates, IL 60179

SAFETY RULES AND INFORMATION



Read these safety rules and follow them closely. Failure to obey these rules could result in loss of control of unit, severe personal injury or death to you, or bystanders, or damage to property or equipment.

This mowing deck is capable of amputating hands and feet and throwing objects.

The triangle  in text signifies important cautions or warnings which must be followed.

GENERAL OPERATION

- Read, understand, and follow all instructions in the manual and on the unit before starting.
- Do not put hands or feet near rotating parts or under the machine. Keep clear of the discharge opening at all times.
- Only allow responsible adults, who are familiar with the instructions, to operate the unit (local regulations can restrict operator age).
- Clear the area of objects such as rocks, toys, wire, etc., which could be picked up and thrown by the blade(s).
- Be sure the area is clear of other people before mowing. Stop the unit if anyone enters the area.
- Never carry passengers.
- Do not mow in reverse unless absolutely necessary. Always look down and behind before and while traveling in reverse.
- Never direct discharge material toward anyone. Avoid discharging material against a wall or obstruction. Material may ricochet back toward the operator. Stop the blade(s) when crossing gravel surfaces.
- Do not operate the machine without the entire grass catcher, discharge guard (deflector), or other safety devices in place and operational.
- Slow down before turning.
- Never leave a running unit unattended. Always disengage the blades (PTO), set parking brake, stop engine, and remove keys before dismounting.
- Disengage blades (PTO) when not mowing. Shut off engine and wait for all parts to come to a complete stop before cleaning the machine, removing the grass catcher, or unclogging the discharge guard.
- Operate the machine only in daylight or good artificial light.
- Do not operate the unit while under the influence of alcohol or drugs.
- Watch for traffic when operating near or crossing roadways.
- Use extra care when loading or unloading the unit into a trailer or truck.
- Always wear eye protection when operating this unit.
- Data indicates that operators, age 60 years and above, are involved in a large percentage of power equipment-related injuries. These operators should evaluate their ability to operate the equipment safely enough to protect themselves and others from injury.

- Follow the manufacturer's recommendations for wheel weights or counterweights.
- Keep in mind the operator is responsible for accidents occurring to other people or property.
- All drivers should seek and obtain professional and practical instruction.
- Always wear substantial footwear and trousers. Never operate when barefoot or wearing sandals.
- Before using, always visually check that the blades and blade hardware are present, intact, and secure. Replace worn or damaged parts.
- Disengage attachments before: refueling, removing an attachment, making adjustments (unless the adjustment can be made from the operator's position).
- When the machine is parked, stored, or left unattended, lower the cutting means unless a positive mechanical lock is used.
- Before leaving the operator's position for any reason, engage the parking brake (if equipped), disengage the blades (PTO), stop the engine, and remove the key.
- To reduce fire hazard, keep the unit free of grass, leaves, & excess oil. Do not stop or park over dry leaves, grass, or combustible materials.
- It is a violation of California Public Resource Code Section 4442 to use or operate the engine on or near any forest-covered, brush-covered, or grass-covered land unless the exhaust system is equipped with a spark arrester meeting any applicable local or state laws. Other states or federal areas may have similar laws.
- OSHA regulations may require the use of hearing protection when exposed to sound levels greater than 85 dBA for an 8 hour time period.

CAUTION



This machine produces sound levels in excess of 85 dBA at the operator's ear and can cause hearing loss through extended periods of exposure.

Wear hearing protection when operating this machine.

TRANSPORTING AND STORAGE

- When transporting the unit on an open trailer, make sure it is facing forward, in the direction of travel. If the unit is facing backwards, wind lift could damage the unit.
- Always observe safe refueling and fuel handling practices when refueling the unit after transportation or storage.
- Never store the unit (with fuel) in an enclosed poorly ventilated structure. Fuel vapors can travel to an ignition source (such as a furnace, water heater, etc.) and cause an explosion. Fuel vapor is also toxic to humans and animals.
- Always follow the engine manual instructions for storage preparations before storing the unit for both short and long term periods.
- Always follow the engine manual instructions for proper start-up procedures when returning the unit to service.
- Never store the unit or fuel container inside where there is an open flame or pilot light, such as in a water heater. Allow unit to cool before storing.

SLOPE OPERATION

Slopes are a major factor related to loss-of-control and tip-over accidents, which can result in severe injury or death. Operation on all slopes requires extra caution. If you cannot back up the slope or if you feel uneasy on it, do not operate on it.

Control of a walk-behind or ride-on machine sliding on a slope will not be regained by the application of the brake. The main reasons for loss of control are: insufficient tire grip on the ground, speed too fast, inadequate braking, the type of machine is unsuitable for its task, lack of awareness of the ground conditions, incorrect hitching and load distribution.

- Mow across slopes, not up and down.
- Watch for holes, ruts, or bumps. Uneven terrain could overturn the unit. Tall grass can hide obstacles.
- Choose a slow speed so that you will not have to stop or change speeds while on the slope.
- Do not mow on wet grass. Tires may lose traction.
- Never mow down slopes.
- Avoid starting, stopping, or turning on a slope. If tires lose traction (i.e. machine stops forward motion on a slope), disengage the blade(s) (PTO) and drive slow off the slope.
- Keep all movement on slopes slow and gradual. Do not make sudden changes in speed or direction, which could cause the machine to rollover.
- Use extra care while operating machines with grass catchers or other attachments; they can affect the stability of the unit. Do not use on steep slopes.
- Do not try to stabilize the machine by putting your foot on the ground (ride-on units).
- Do not mow near drop-offs, ditches, or embankments. The mower could suddenly turn over if a wheel is over the edge of a cliff or ditch, or if an edge caves in.
- Do not use grass catchers on steep slopes.
- Do not mow slopes if you cannot back up them.
- See your authorized dealer/retailer for recommendations of wheel weights or counterweights to improve stability.
- Remove obstacles such as rocks, tree limbs, etc.
- Use slow speed. Tires may lose traction on slopes even through the brakes are functioning properly.
- Do not turn on slopes unless necessary, and then, turn slowly and gradually uphill, if possible. Never mow down slopes.

TOWED EQUIPMENT (RIDE-ON UNITS)

- Tow only with a machine that has a hitch designed for towing. Do not attach towed equipment except at the hitch point.
- Follow the manufacturer's recommendations for weight limit for towed equipment and towing on slopes. See attaching a trailer under OPERATION.
- Never allow children or others in or on towed equipment.
- On slopes, the weight of the towed equipment may cause loss of traction and loss of control.
- Travel slowly and allow extra distance to stop.
- Do not shift to neutral and coast down hill.

WARNING

Never operate on slopes greater than 17.6 percent (10°) which is a rise of 3-1/2 feet (106 cm) vertically in 20 feet (607 cm) horizontally.

Select slow ground speed before driving onto slope. Use extra caution when operating on slopes with rear-mounted grass catchers.

Mow across the face of slopes, not up and down, use caution when changing directions and **DO NOT START OR STOP ON SLOPE.**

CHILDREN

Tragic accidents can occur if the operator is not alert to the presence of children. Children are often attracted to the unit and the mowing activity. Never assume that children will remain where you last saw them.

- Keep children out of the mowing area and under the watchful care of another responsible adult.
- Be alert and turn unit off if children enter the area.
- Before and during reverse operation, look behind and down for small children.
- Never carry children, even with the blade(s) off. They may fall off and be seriously injured or interfere with safe unit operation. Children who have been given rides in the past may suddenly appear in the mowing area for another ride and be run over or backed over by the machine.
- Never allow children to operate the unit.
- Use extra care when approaching blind corners, shrubs, trees, or other objects that may obscure vision.

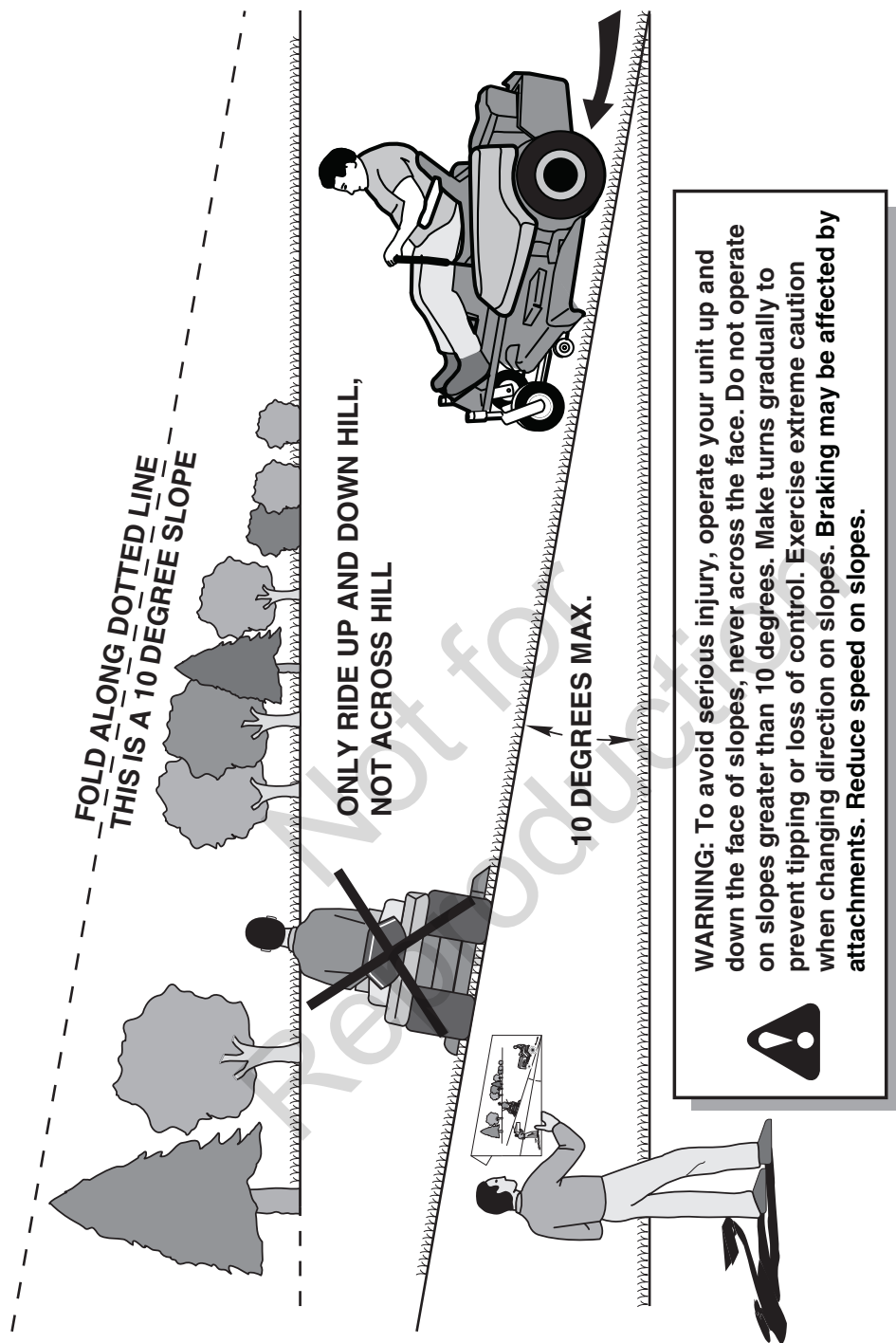
EMISSIONS

- Engine exhaust from this product contains chemicals known, in certain quantities, to cause cancer, birth defects, or other reproductive harm.
- Look for the relevant Emissions Durability Period and Air Index information on the engine emissions label.

IGNITION SYSTEM

- This spark ignition system complies with Canadian standard ICES-002.

SUGGESTED GUIDE FOR SIGHTING SLOPES FOR SAFE OPERATION



1. Fold this page along dotted line indicated above.
2. Hold page before you so that its left edge is vertically parallel to a tree trunk or other upright structure.
3. Sight across the fold in the direction of hill slope you want to measure.
4. Compare the angle of the fold with the slope of the hill.

SERVICE AND MAINTENANCE

Safe Handling of Gasoline

- Extinguish all cigarettes, cigars, pipes, and other sources of ignition.
- Use only approved gasoline containers.
- Never remove the gas cap or add fuel with the engine running. Allow the engine to cool before refueling.
- Never fuel the machine indoors.
- Never store the machine or fuel container where there is an open flame, spark, or pilot light such as near a water heater or other appliance.
- Never fill containers inside a vehicle or on a truck bed with a plastic bed liner. Always place containers on the ground away from your vehicle before filling.
- Remove gas-powered equipment from the truck or trailer and refuel it on the ground. If this is not possible, then refuel such equipment on a trailer with a portable container, rather than from a gasoline dispenser nozzle.
- Keep nozzle in contact with the rim of the fuel tank or container opening at all times until fueling is complete. Do not use a nozzle lock-open device.
- If fuel is spilled on clothing, change clothing immediately.
- Never over-fill the fuel tank. Replace gas cap and tighten securely.
- Use extra care in handling gasoline and other fuels. They are flammable and vapors are explosive.
- If fuel is spilled, do not attempt to start the engine but move the machine away from the area of spillage and avoid creating any source of ignition until fuel vapors have dissipated.
- Replace all fuel tank caps and fuel container caps securely.

Service & Maintenance

- Never run the unit in an enclosed area where carbon monoxide fumes may collect.
- Keep nuts and bolts, especially blade attachment bolts, tight and keep equipment in good condition.
- Never tamper with safety devices. Check their proper operation regularly and make necessary repairs if they are not functioning properly.
- Keep unit free of grass, leaves, or other debris build-up. Clean up oil or fuel spillage, and remove any fuel-soaked debris. Allow machine to cool before storage.
- If you strike an object, stop and inspect the machine. Repair, if necessary, before restarting.
- Never make adjustments or repairs with the engine running.
- Check grass catcher components and the discharge guard frequently and replace with manufacturer's recommended parts, when necessary.
- Mower blades are sharp. Wrap the blade or wear gloves, and use extra caution when servicing them.
- Check brake operation frequently. Adjust and service as required.
- Maintain or replace safety and instructions labels, as necessary.
- Do not remove the fuel filter when the engine is hot as spilled gasoline may ignite. Do not spread fuel line clamps further than necessary. Ensure clamps grip hoses firmly over the filter after installation.
- Do not use gasoline containing METHANOL, gasohol containing more than 10% ETHANOL, gasoline additives, or white gas because engine/fuel system damage could result.

- If the fuel tank must be drained, it should be drained outdoors.
- Replace faulty silencers/mufflers.
- Maintain or replace safety and instruction labels as necessary.
- Use only factory authorized replacement parts when making repairs.
- Always comply with factory specifications on all settings and adjustments.
- Only authorized service locations should be utilized for major service and repair requirements.
- Never attempt to make major repairs on this unit unless you have been properly trained. Improper service procedures can result in hazardous operation, equipment damage and voiding of manufacturer's warranty.
- On multiple blade mowers, take care as rotating one blade can cause other blades to rotate.
- Do not change engine governor settings or over-speed the engine. Operating the engine at excessive speed can increase the hazard of personal injury.
- Disengage drive attachments, stop the engine, remove the key, and disconnect the spark plug wire(s) before: clearing attachment blockages and chutes, performing service work, striking an object, or if the unit vibrates abnormally. After striking an object, inspect the machine for damage and make repairs before restarting and operating the equipment.
- Never place hands near the moving parts, such as a hydro pump cooling fan, when the tractor is running. (Hydro pump cooling fans are typically located on top of the transaxle).
- Units with hydraulic pumps, hoses, or motors: **WARNING:** Hydraulic fluid escaping under pressure may have sufficient force to penetrate skin and cause serious injury. If foreign fluid is injected into the skin it must be surgically removed within a few hours by a doctor familiar with this form of injury or gangrene may result. Keep body and hands away from pin holes or nozzles that eject hydraulic fluid under high pressure. Use paper or cardboard, and not hands, to search for leaks. Make sure all hydraulic fluid connections are tight and all hydraulic hoses and lines are in good condition before applying pressure to the system. If leaks occur, have the unit serviced immediately by your authorized dealer.
- **WARNING:** Stored energy device. Improper release of springs can result in serious personal injury. Springs should be removed by an authorized technician.
- Models equipped with an engine radiator: **WARNING:** Stored energy device. To prevent serious bodily injury from hot coolant or steam blow-out, never attempt to remove the radiator cap while the engine is running. Stop the engine and wait until it is cool. Even then, use extreme care when removing the cap.

SAFETY & OPERATION DECALS

This unit has been designed and manufactured to provide you with the safety and reliability you would expect from an industry leader in outdoor power equipment manufacturing.

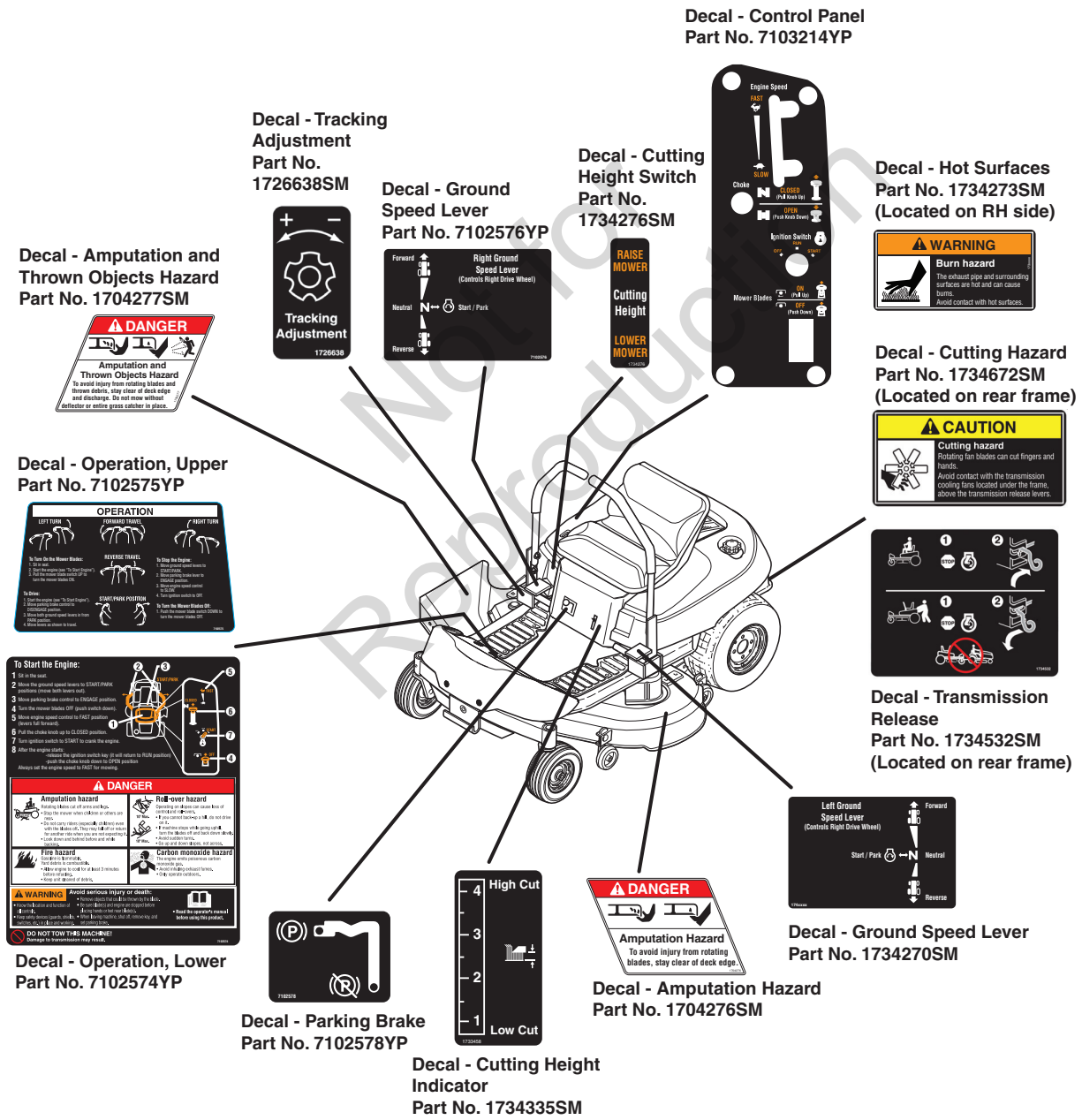
Although reading this manual and the safety instructions it contains will provide you with the necessary basic knowledge to operate this equipment safely and effectively, we have placed several safety labels on the unit to remind you of this important information while you are operating your unit.

All DANGER, WARNING, CAUTION and instructional messages on your rider and mower should be carefully

read and obeyed. Personal bodily injury can result when these instructions are not followed. The information is for your safety and it is important! The safety decals below are on your rider and mower.

If any of these decals are lost or damaged, replace them at once. Contact a Sears Parts & Service Center for replacements.

These labels are easily applied and will act as a constant visual reminder to you, and others who may use the equipment, to follow the safety instructions necessary for safe, effective operation.



Decal - Control Panel
Part No. 7103214YP

Decal - Tracking Adjustment
Part No. 1726638SM

Decal - Ground Speed Lever
Part No. 7102576YP

Decal - Cutting Height Switch
Part No. 1734276SM

Decal - Hot Surfaces
Part No. 1734273SM
(Located on RH side)

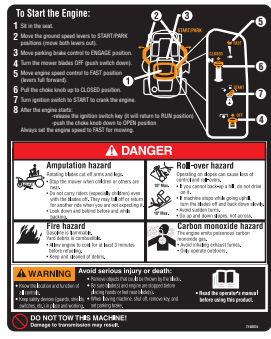
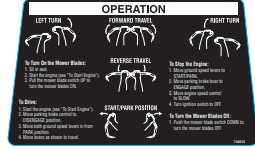
Decal - Amputation and Thrown Objects Hazard
Part No. 1704277SM



Decal - Cutting Hazard
Part No. 1734672SM
(Located on rear frame)



Decal - Operation, Upper
Part No. 7102575YP



Decal - Operation, Lower
Part No. 7102574YP

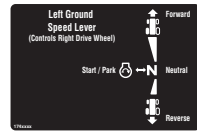
Decal - Parking Brake
Part No. 7102578YP



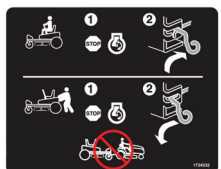
Decal - Cutting Height Indicator
Part No. 1734335SM



Decal - Amputation Hazard
Part No. 1704276SM

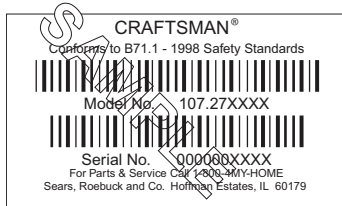


Decal - Ground Speed Lever
Part No. 1734270SM



Decal - Transmission Release
Part No. 1734532SM
(Located on rear frame)

IDENTIFICATION NUMBERS



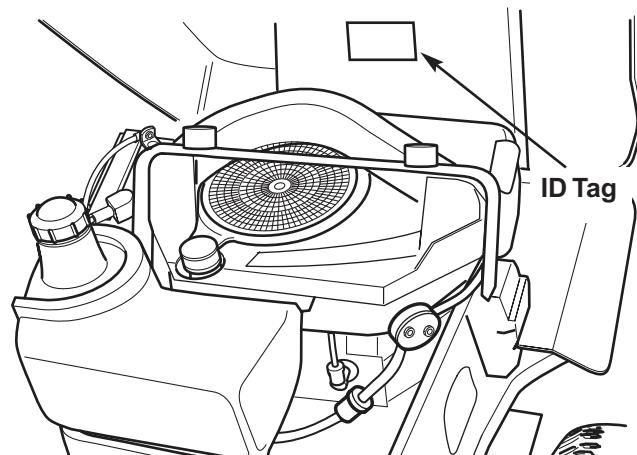
When contacting the service center for replacement parts, service, or information you **MUST** have these numbers.

Record your model name/number, manufacturer's identification numbers, and engine serial numbers in the space provided for easy access.

The identification tag is located on the underside of the seat. Tilt the seat forward to access the ID tag.

For answers to your questions about this product, call: 1-800-659-5917

Sears Craftsman Help Line, 5 am - 5 pm, Monday-Saturday.



ID Tag

OPTIONAL ACCESSORIES

See your local Sears retailer to purchase the following accessories:

- Two Bin Grass Collector
- Headlight Kit
- Front Bumper Kit

LITERATURE PACKAGE CONTENTS

- Keys
- Quick Start Guide (English and Spanish)
- Operator's Manual & Parts Book (English and Spanish)

PRODUCT REFERENCE DATA

Model Description Name/Number	
Stock Number	Unit Serial Number
Date Purchased	
ENGINE REFERENCE DATA	
Engine Make	Engine Model
Engine Type/Spec	Engine Code/Serial Number

ASSEMBLY

INSTALLING THE SEAT

1. Raise the seat base (see Figure 1).
2. Align the holes in the seat bottom with the holes in the seat base.
3. Secure the seat to the seat base with two 5/16-18 x 3/4 serrated head bolts for the rear seat slots, and two 5/16-18 x 3/4 shoulder bolts for the front slots.
4. Tighten to 14-19 ft-lbs (19-25 Nm).

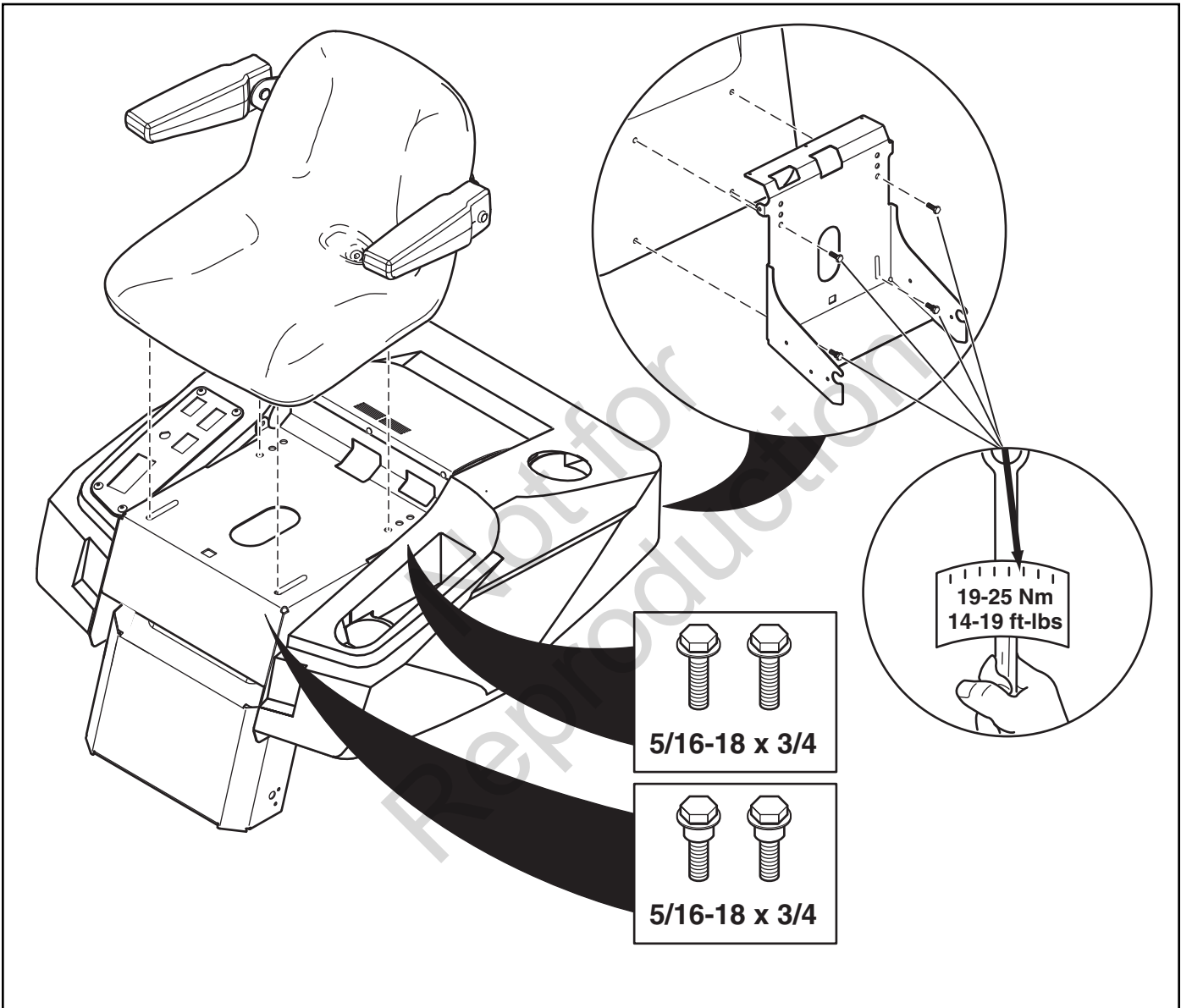


Figure 1. Installing the Seat

INSTALLING THE SEAT SAFETY SWITCH

1. Squeeze the side clips of the safety switch (A, Figure 2), and insert the switch into the slot (B) in the seat bottom. Be sure to slide the switch fully forward.
2. Connect the harness terminal housing (C) to the seat switch.
3. Loop the wire tie (D) around both the switch body and the terminal housing.

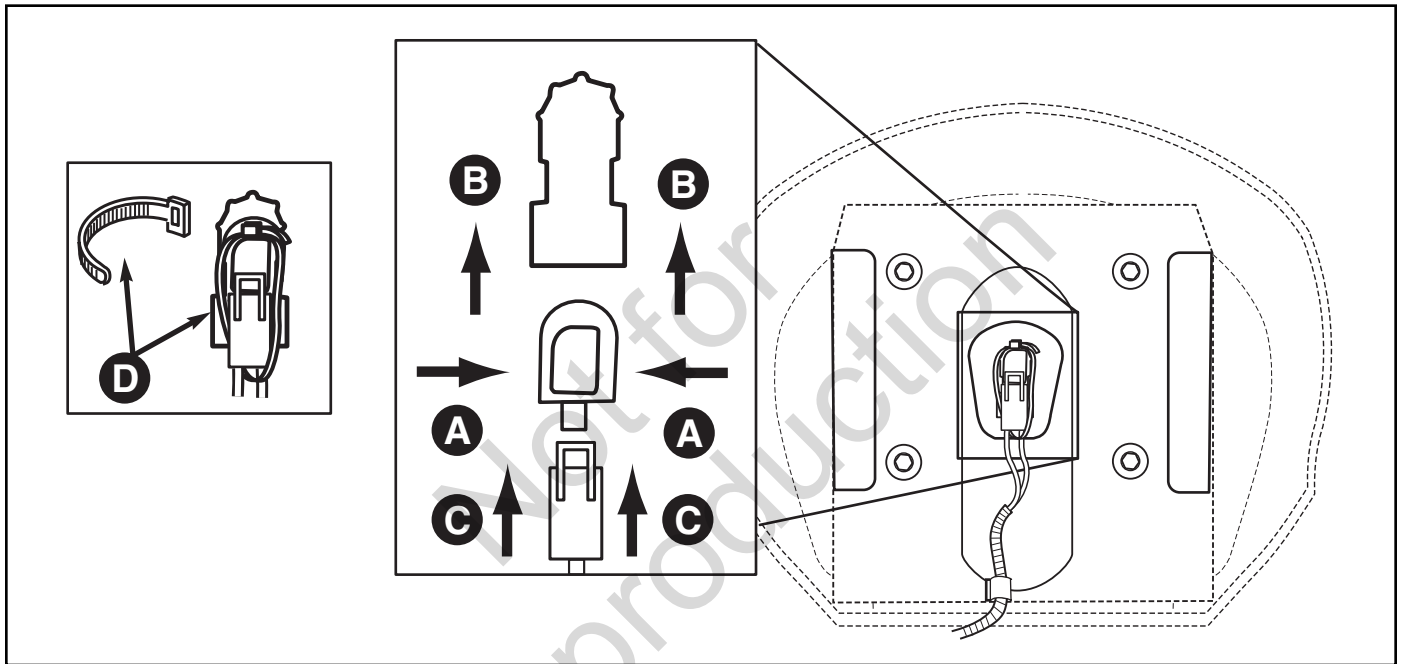


Figure 2. Installing the Seat Safety Switch

SETTING UP THE GROUND SPEED CONTROL LEVERS

1. Loosen (do not remove) the hardware securing the ground speed control levers to the lever bases (see Figure 3).
2. Raise the levers, aligning the upper hole in each lever with the upper slotted hole in the lever base.

3. Install the hardware as shown in Figure 3. Tighten to 15-17 ft-lbs (20-23 Nm).

NOTE: Ground speed control levers must be adjusted prior to use. Refer to the "Ground Speed Control Adjustment" section.

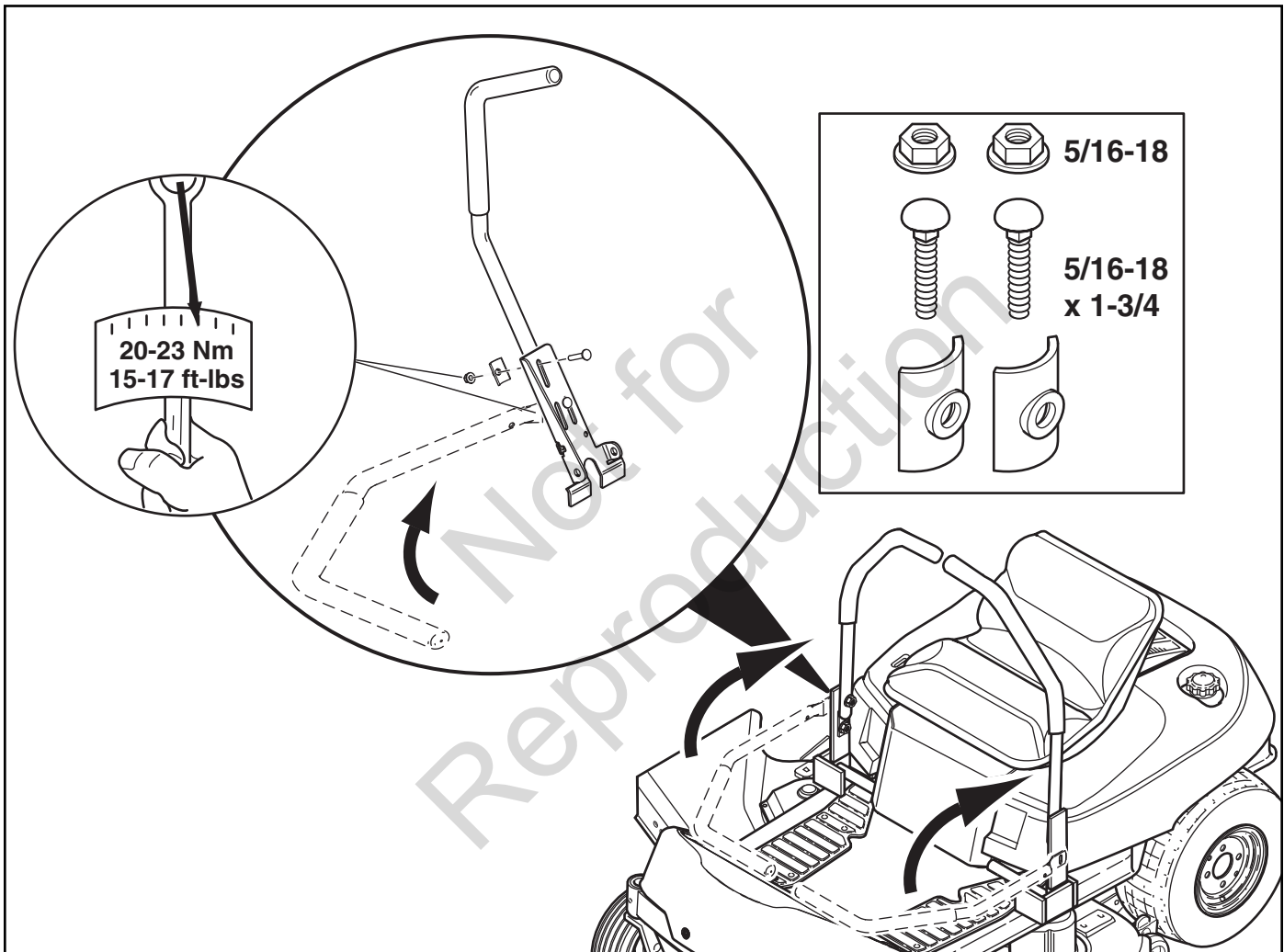


Figure 3. Setting Up the Ground Speed Control Levers

PRE-OPERATION

Remove the Packaging Materials

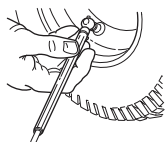


Remove the cardboard from the crate. Remove any steel branding securing the unit to the crate. Locate the manual packet.

Read the Operator's Manual

Locate the operator's manual in the manual packet. You should always read and follow the instructions in the operator's manual. Proper care, performance tips, and safety information are located in this important document.

Check the Tire Pressure

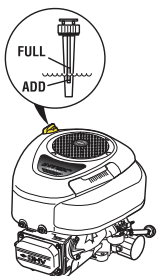


Reduce the tire pressures to the pressures shown below. Tires are over-inflated for shipping purposes and must be set to the correct pressures for optimum traction.

Rear Tire Pressure: 10-12 PSI

Front Tire Pressure: 18-20 PSI

Check Engine Oil Level



Note: Engine is shipped with oil. Add 10W-30 premium engine oil if oil level is low. See MAINTENANCE for complete engine oil specifications and maintenance requirements.

Lift the seat deck (Figure 17) to access the engine compartment.

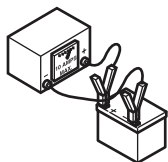
Clean the area around the dip stick/oil fill tube. Remove the dip stick from the oil fill tube and wipe the dip stick with a clean rag.

Insert the dip stick into the oil fill tube (thread in or push down completely).

Remove and check the engine oil level. Oil level should be between Full and Add marks. If necessary, add oil to the oil fill tube.

Replace and fully secure the dip stick.

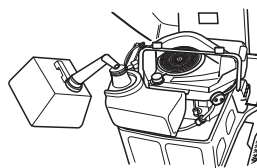
Charge the Battery



Lift the seat deck to access the battery. If the unit is being put into service after the month and year indicated on the battery date tag (located on top of battery) charge the battery for one hour at 6-10 amps. Refer to the SERVICE &

ADJUSTMENTS section of this manual for battery charging information.

Fill-Up with FRESH Gasoline



Lift the seat deck to access the fuel cap and tank.

Remove the fuel tank cap and fill the tank with fresh fuel. After fueling, securely install the cap and wipe up any fuel that may

have spilled. See the Operator's Manual for fuel recommendations.

The single most common service issue is stale or contaminated fuel! Fuel should not be more than 30 days old. Use fuel stabilizer to extend the life of your fuel, and always store fuel in an approved, sealed, plastic gas can. Stale fuel clean-out is not covered under your warranty.

Fuel Tank Capacity: 4.0 Gallons (15,14 L)

Start the Engine and Drive the Unit Off the Crate

Refer to the STARTING THE ENGINE and DRIVING PRACTICE sections of this manual for information on starting the unit and driving it off the crate.

OPERATION

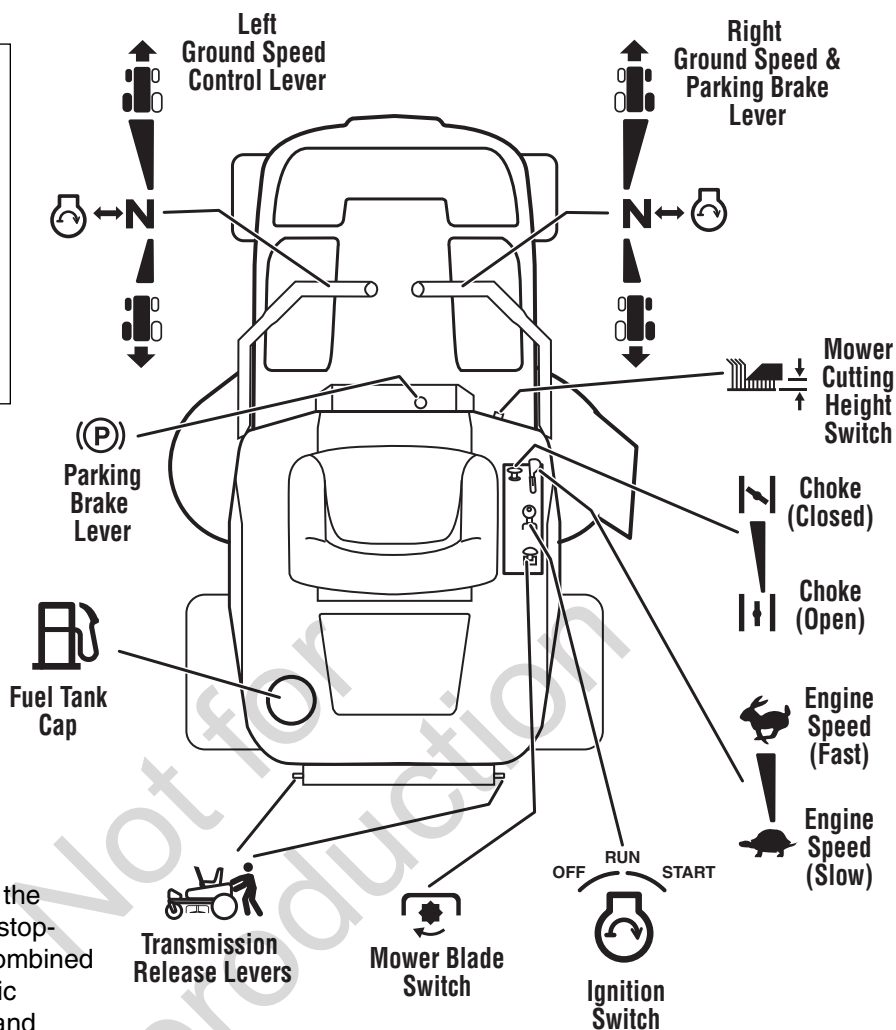
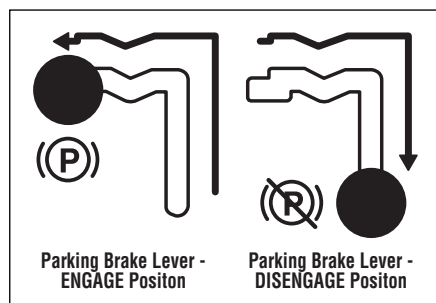
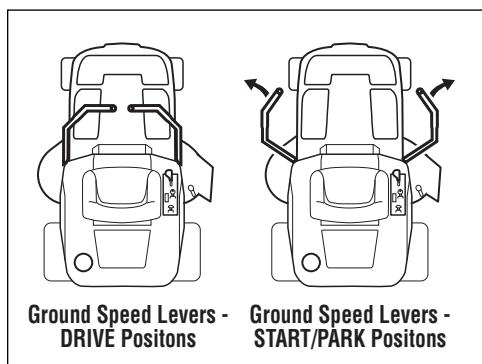


Figure 4. Controls

CONTROL FUNCTIONS

The information below briefly describes the function of individual controls. Starting, stopping, driving, and mowing require the combined use of several controls applied in specific sequences. To learn what combination and sequence of controls to use for various tasks please read the entire section.

Ground Speed Levers

These levers control the ground speed of the rider. The left lever controls the left rear drive wheel and the right lever controls the right rear drive wheel.

Pushing the levers out to the side, away from the operator's lap (top inset, Figure 4), is the proper position for starting the rider. Pulling the levers in across the operator's lap puts the levers in DRIVE positions.

From DRIVE position, moving a lever forward increases the FORWARD speed of the associated wheel. Pulling back on a lever increases the REVERSE speed. The further a lever is pushed, the faster the drive wheel will turn.

See DRIVING PRACTICE for steering instructions.

Parking Brake Lever

Move the parking brake lever (bottom inset, Figure 4) up and across and into the locking notch to engage and lock the parking brake. Move the parking brake lever across and down to disengage the parking brake. The engine will not start unless the parking brake is engaged.

NOTE: The parking brake must be disengaged before operating the ground speed levers.

Engine Speed Control

The engine speed control adjusts engine speed. Always set the engine speed to FAST for driving and mowing. Move the engine speed control back to SLOW to decrease engine speed. NEVER turn on the mower blades with the engine speed set to SLOW. Only turn on the mower blades with the engine speed set to FAST.



Choke

CLOSE the choke for cold starting (pull knob up). OPEN the choke once the engine starts (push knob down). If the engine is warm, it may not require choking. If this is the case, set the choke to OPEN (push the knob down) while cranking the engine. In most cases, you will need to close the choke in order to start the engine.



Mower Cutting Height Switch

To increase the mower cutting height (raise the mower deck), press the top of the yellow cutting height switch. To decrease mower cutting height (lower the mower deck), press the bottom of the switch. Mower cutting height range is approximately 3-3/4" to 1-1/2" (9,5 to 3,8 cm). The cutting height gauge indicates the position of the mower deck. The cutting height gauge is located on the front of the rider, just behind the driver's left leg.



Ignition Switch

The ignition switch starts and stops the engine; it has three positions:

- OFF** Stops the engine and shuts off the electrical system.
- RUN** Allows the engine to run and powers the electrical system.

START Cranks the engine for starting.

NOTE: Never leave the ignition switch in the RUN position with the engine stopped. This drains the battery.



Mower Blade Switch

The yellow mower blade switch turns the mower blades on and off. To turn the mower blades ON, pull the switch up. To turn the mower blades OFF, push the switch down. Always set the engine speed control to FAST before turning the mower blades ON, and while mowing.



Transmission Release Levers

The transmission release levers deactivate the transmissions so that the unit can be pushed by hand. See PUSHING THE UNIT BY HAND for operational information.



Fuel Tank

To remove the fuel tank cap, turn it counterclockwise.

GENERAL OPERATING SAFETY

Before first time operation:

- Be sure to read all information in the Safety and Operation sections before attempting to operate this rider and mower.
- Become familiar with all of the controls and how to stop the unit.
- Drive in an open area without mowing to become accustomed to driving the unit.

WARNING

If you do not understand how a specific control functions, or have not yet thoroughly read the CONTROL FUNCTIONS section, do so now. Do NOT attempt to operate the rider without first becoming familiar with the location and function of ALL controls.

CHECKS BEFORE STARTING

- Check that the crankcase oil is filled to full mark on dipstick.
- Fill the fuel tank with fresh fuel.

FUEL RECOMMENDATIONS

For daily operation: Use only unleaded gasoline with a pump sticker octane rating of 87 or higher. Gasohol (up to 10% ethyl alcohol, 90% unleaded gasoline by volume) is approved as a fuel. Methyl Tertiary Butyl Ether (MTBE) and unleaded gasoline blends (up to a maximum of 15% MTBE by volume) are approved as a fuel. No other gasoline/alcohol or gasoline/ether blends are approved. Do not use fuel additives other than fuel stabilizer.

For storage: CAUTION: Alcohol blended fuels (called gasohol or using ethanol or methanol) can attract moisture which leads to separation and formation of acids during storage. Acidic gas can damage the fuel system of an engine while in storage.

To avoid engine problems always use fuel stabilizer, especially before storage of 30 days or longer. Use fresh fuel next season. See STORAGE instructions for additional information.

Never use engine or carburetor cleaner products in the fuel tank or permanent damage may occur. To add fuel:

1. Remove the fuel cap (B, Figure 5).
2. Fill the tank. Do not overfill. Leave room in the tank for fuel expansion.
3. Install and hand tighten the fuel cap.

! WARNING

Never allow passengers to ride on the unit.

Before leaving the operator's position for any reason, engage the parking brake, disengage the PTO, stop the engine and remove the key.

To reduce fire hazard, keep the engine, rider and mower free of grass, leaves and excess grease. Do not stop or park rider over dry leaves, grass or combustible materials.

Gasoline is highly flammable and must be handled with care. Never fill the tank when the engine is still hot from recent operation. Do not allow open flame, smoking or matches in the area. Avoid over-filling and wipe up any spills.

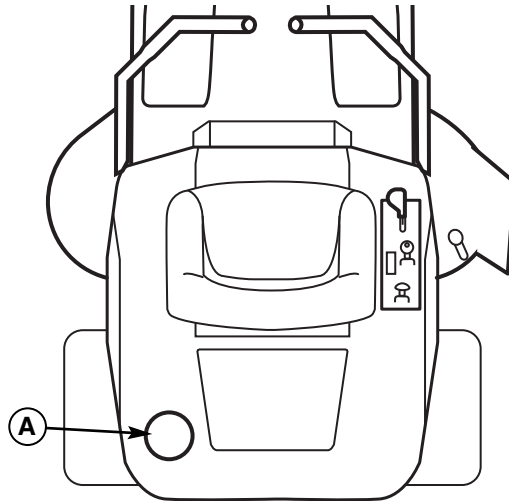


Figure 5. Pre-Start Checks
A. Fuel Tank Cap

! WARNING

Never operate on slopes greater than 17.6 percent (10°) which is a rise of 3-1/2 feet (106 cm) vertically in 20 feet (607 cm) horizontally.

Select slow ground speed before driving onto a slope. Use extra caution when operating on slopes with a rear-mounted grass catcher.

Mow across the face of slopes, not up and down. Use caution when changing directions and DO NOT START OR STOP ON A SLOPE.

! WARNING - TRAILERS

Do not load this zero-turn rider on a trailer or truck using two separate ramps. Only use a single ramp that is at least one foot wider than the width of the rear wheels of this rider. This rider has a zero turning radius and the wheels could fall off the ramps, or the rider could tip over injuring the operator or bystanders.



EMERGENCY STOPPING

In the event of an emergency the engine can be stopped by simply turning the ignition switch to STOP. Use this method only in emergency situations. For normal engine shut down follow the procedure given in STOPPING THE RIDER AND ENGINE.

STOPPING THE RIDER & ENGINE

1. Return the ground speed control levers to START/PARK positions to stop rider movement.
2. Engage the parking brake.
3. Turn off the mower blades by pushing the mower blade switch down to the OFF position.
4. Move the engine speed control to SLOW position and turn the ignition switch to OFF. Remove the key.

STARTING THE ENGINE

1. While sitting in the seat, make sure the mower blade switch is OFF and the ground speed control levers are locked in START/PARK positions.
2. Move the engine speed control fully forward to FAST. Set the choke control to CLOSED (pull knob UP).

NOTE: A warm engine may not require choking. In this case, set the choke control to OPEN (push knob down).

3. Insert the key into the ignition switch and turn it to START to crank the engine.
4. After the engine starts, release the key. It will return to the RUN position. Gradually push the choke knob down to OPEN position. Warm the engine by running it for at least a minute before turning on the mower blades, or driving the unit.

ALWAYS operate the unit with the engine speed control set to FAST when mowing or driving. NEVER engage the mower blades with the engine speed set to SLOW.

MOWING

1. Start the engine (see STARTING THE ENGINE).
2. Set the mower cutting height to the desired setting using the mower cutting height switch.
3. Set the engine speed control to FAST.
4. Turn the mower blades ON (pull switch up).
5. Disengage the parking brake.
6. Move the ground speed control levers in from START/PARK positions to drive positions (levers in across the operator's lap).
7. Begin mowing (see DRIVING PRACTICE).
8. When finished, turn the mower blades OFF (push switch down).
9. Stop the rider and engine (see STOPPING THE RIDER AND ENGINE).

PUSHING THE RIDER BY HAND

NOTE: Do not disengage the transmission if parked on a slope

1. Turn the mower blades OFF, push the ground speed control levers out to their START/PARK positions, engage the parking brake, turn the ignition switch OFF, **remove the key**, and wait for all moving parts to stop.
2. Locate the transmission release levers (C, Figure 6) at the rear of the unit.
3. Pull **both** levers back and down to release the transmissions (position B, Figure 6).
4. Pull the ground speed control levers in to their DRIVE positions, and disengage the parking brake. The rider can now be pushed by hand.
5. After moving the rider, set the ground speed control levers to START/PARK, engage the parking brake, and push **both** transmission release levers forward to re-engage the transmissions (position A, Figure 6).

DO NOT TOW RIDER

Towing the unit will cause transmission damage. Do not use another vehicle to push or pull this unit. Do not use this unit to push or pull another vehicle or object.

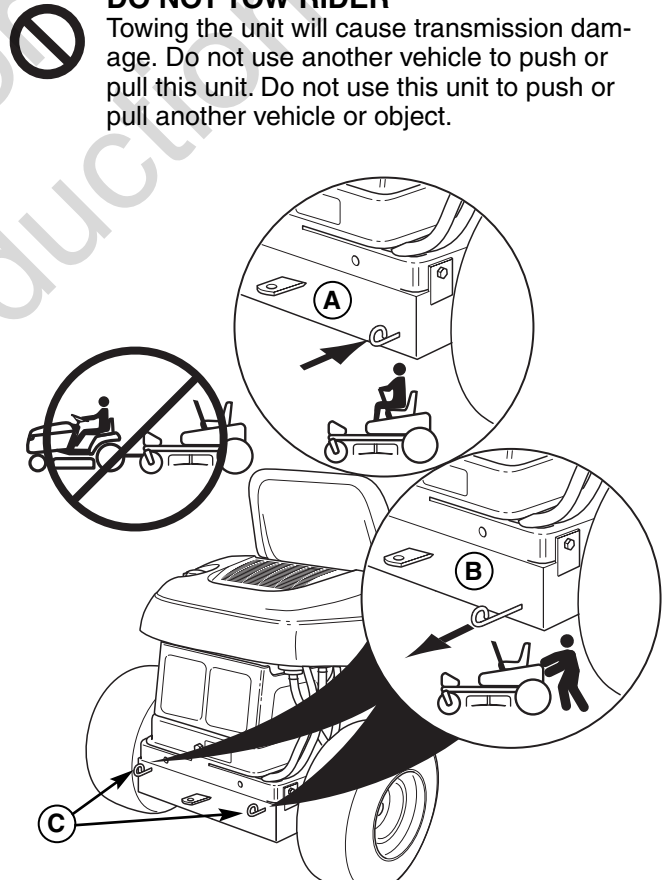


Figure 6. Transmission Release Levers
A. Drive Position
B. Push Position
C. Transmission Release Levers

DRIVING PRACTICE -

BASIC DRIVING

WARNING: Never operate on slopes greater than 17.6% (10°). See SLOPE OPERATION in the safety section. Zero turn riders operate differently from other four-wheeled vehicles. The drive wheels are also your steering wheels. If you cannot drive the unit on a hill, you will not be able to steer the unit on it. Operating zero turn units on slopes requires extra caution.

The lever controls of the zero turn rider are very responsive, and learning to gain a smooth and efficient control of the rider's forward, reverse, and turning movements will take some practice.

Spend some time going through the following maneuvers and becoming familiar with how the unit accelerates, travels, and steers - before you begin mowing - is absolutely essential to getting the most out of the zero turn rider.

Locate a smooth, flat area of your lawn - one with plenty of room to maneuver. (Clear the area of objects, people and animals before you begin.) Operate the unit at mid-throttle during this practice session (ALWAYS operate at full throttle when mowing), and turn slowly to prevent tire slippage and damage to your lawn.

We suggest you begin with the Smooth Travel procedure to the right, and then advance through the forward, reverse, and turning maneuvers.

⚠ WARNING

Do not mow in reverse unless absolutely necessary. Always look down and behind before and while travelling in reverse.

Forward Travel

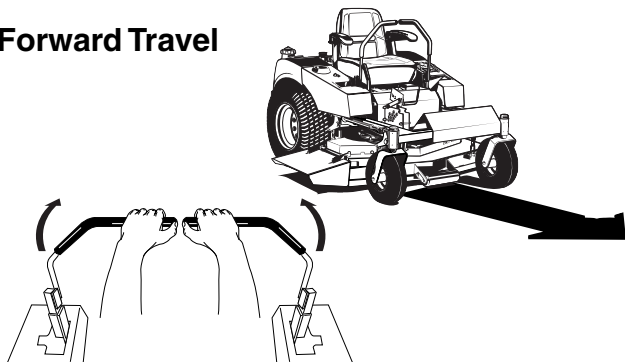


Figure 8. Forward Travel

Smooth Travel

The lever controls of the zero turn rider are highly responsive.

The BEST method of handling the ground speed control levers is in three steps - as shown in Figure 7.

FIRST place your hands onto the levers as shown.

SECOND, to go forward gradually push the levers forward with your palms.

THIRD, to speed up move the levers farther forward. To slow down smoothly, slowly move the levers back toward neutral.

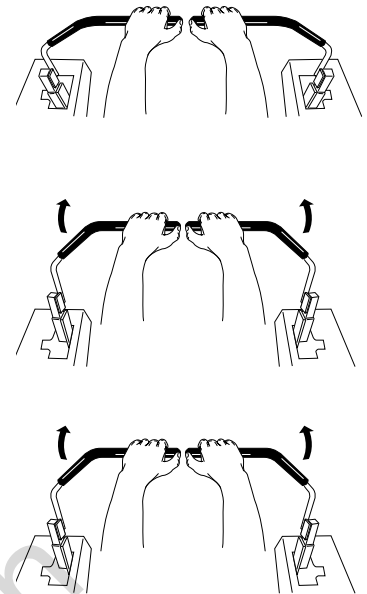


Figure 7. Move Control Levers Gradually

Forward Travel Practice

Gradually move both ground speed control levers evenly FORWARD from neutral (see Figure 8). Slow down and repeat.

Reverse Travel Practice

LOOK DOWN & BEHIND, then gradually move both ground speed control levers evenly BACK from neutral (see Figure 9). Slow down and repeat.

NOTE: Practice backing up for several minutes before attempting to do so near objects. The rider turns as sharply in reverse as when going forward, and backing up straight takes practice.

Reverse Travel

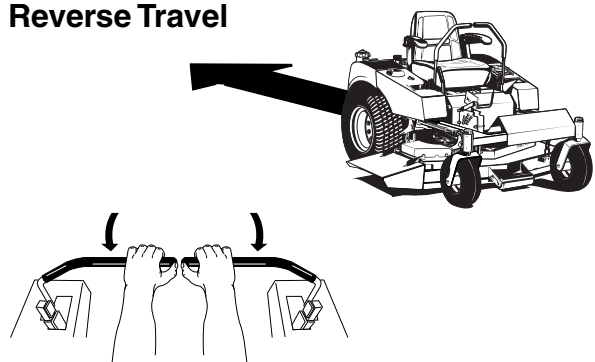


Figure 9. Reverse Travel

Practice Turning Around a Corner

While traveling forward allow one handle to gradually return back toward neutral (see Figure 10). Practice several times before mowing.

NOTE: To prevent damaging your lawn by pivoting directly on the tire tread, it is best to keep both wheels going at least slightly forward.

Executing Turns

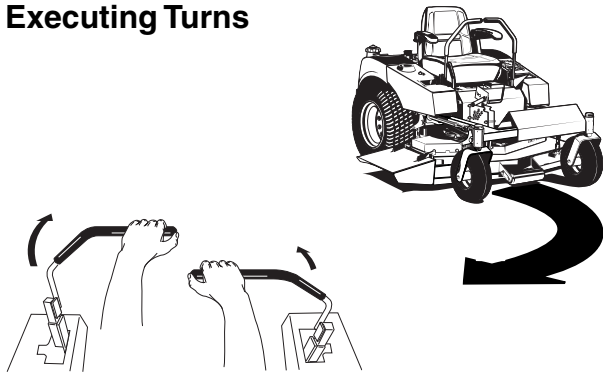


Figure 10. Right Turn

Practice Turning In Place

To “zero turn” means to turn in place. To turn in place, gradually move one ground speed control lever forward from neutral and one lever back from neutral simultaneously (see Figure 11). Repeat several times.

Turning In Place

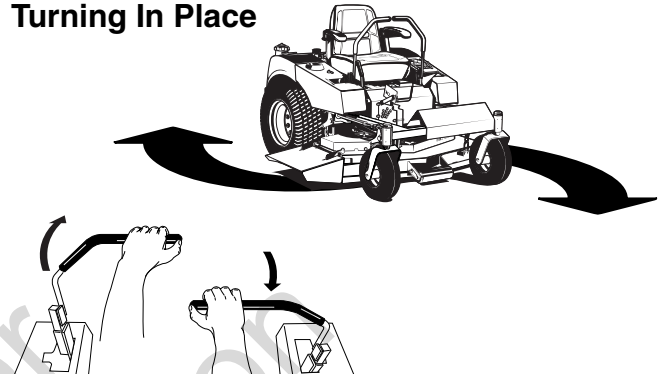


Figure 11. Turning in Place

ADVANCED DRIVING

Executing an End-Of-Row Zero Turn

Your zero turn rider's unique ability to turn in place allows you to turn around at the end of a cutting row rather than having to stop and make a Y-turn before starting a new row.

For example, to execute a right end-of-row zero turn:

1. Slow down at the end of the row.
2. Move the LEFT ground speed control lever forward slightly while moving the RIGHT ground speed control lever back to center and then slightly back from center (see Figure 12). Be sure to keep both wheels moving to avoid turf damage.
3. Begin mowing forward again.

This technique turns the rider RIGHT and slightly overlaps the row just cut - eliminating the need to back up and re-cut missed grass.

As you become more familiar and experienced with operating the zero turn rider, you will learn more maneuvers that will make your mowing time easier and more enjoyable.

Remember, the more you practice, the better your control of the rider will be!

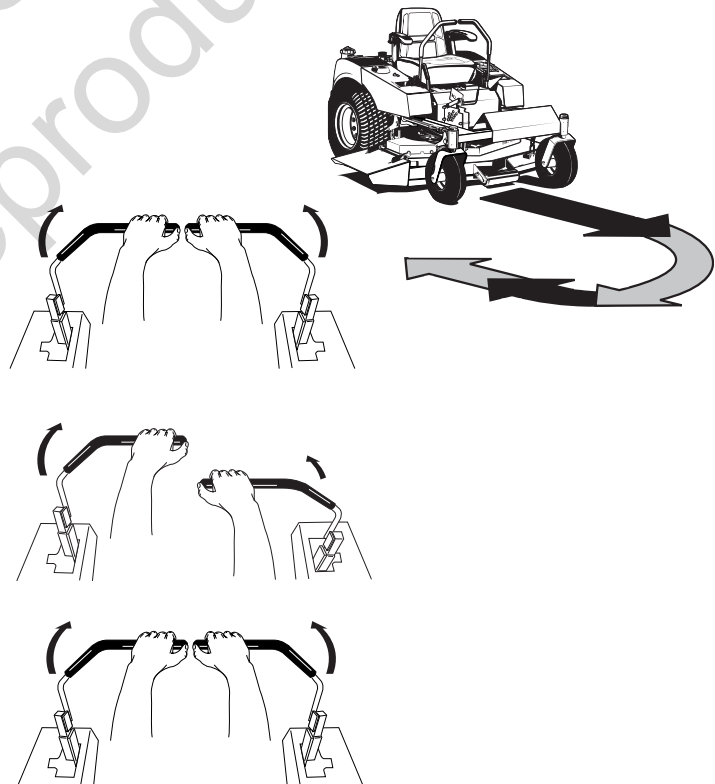


Figure 12. Executing an End-Of-Row Turn

MOWER DECK REMOVAL & INSTALLATION

NOTE: Perform mower removal and installation on a hard, level surface such as a concrete floor.

⚠ WARNING

After lowering the mower cutting height, engage parking brake, turn off the mower blades, turn the ignition switch to STOP, and remove key before attempting to install or remove the mower.

Removing the Mower Deck

1. Turn the mower blades OFF, put the ground speed control levers in START/PARK position, turn the ignition OFF, and wait for all moving parts to stop.
2. Pivot the front wheels forward.
3. Insert ratchet into 3/8" (9.5 mm) square in idler pulley arm (A, Figure 13) and pull to release belt tension. Remove the mower belt (B) from engine drive pulley (C).
4. Turn the ignition switch from OFF to RUN without starting the engine.
5. Use the mower cutting height switch to raise the mower deck.
6. Place 4x4 wood blocks under the front and rear lip of the mower deck to securely support it.
7. Use the mower cutting height switch to fully lower the mower so that it is resting on the 4x4 wood blocks.
8. Turn the ignition switch to OFF and remove the key.
9. Remove the hair pin clip (A, Figure 14) securing the rear mower lift arm. Separate the lift arm from the mower deck. Repeat for both sides of mower.
10. Remove hair pin clip (B) securing the front hitch rod (C). Separate the front hitch rod from the mower deck. Repeat for both sides of mower.
11. Slide the mower deck out from under the rider.

Installing the Mower Deck

1. Slide the mower deck under the right side of the rider. Slide the mower forward and hook the front hitch rod (C, Figure 14) to the front mower deck hooks.
2. Install the front hitch rods and secure with hair pin clips (B).
3. Slide the mower deck backwards and connect the rear lift arms to the mower deck. Secure with hair pin clips (A).
4. Insert the key into the ignition switch. Turn the switch from OFF to RUN without starting the engine.
5. Use the cutting height switch to raise the mower until it is no longer resting on the 4x4 wood blocks.

6. Turn the ignition switch OFF and remove the key. Remove the 4x4 wood blocks.
7. Insert ratchet into 3/8" (9.5 mm) square hole in idler pulley arm (A, Figure 13) and pull to release belt tension. Install the mower belt (B) as shown in Figure 13.

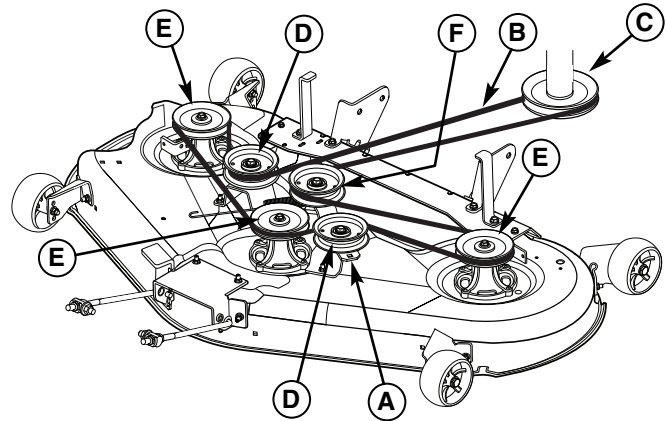


Figure 13. Mower Belt Routing

- A. Idler Pulley Arm**
- B. Mower Belt**
- C. Engine Drive Pulley**
- D. Fixed Idler Pulley (2)**
- E. Arbor Drive Pulley (3)**
- F. Adjustable Tension Idler Pulley**

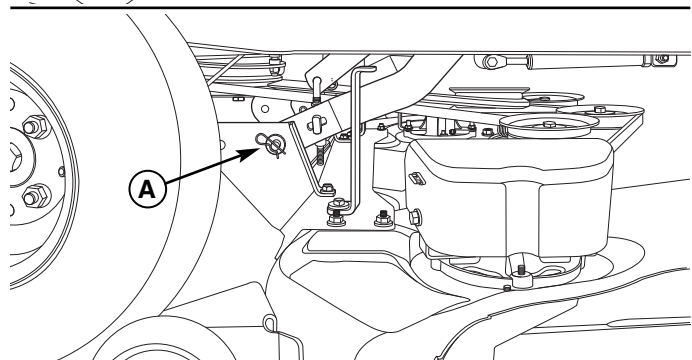
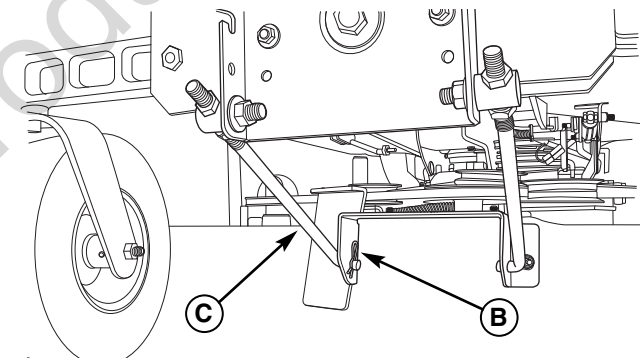


Figure 14. Mower Hitch Components

- A. Hair Pin Clip, Rear**
- B. Hair Pin Clip, Front**
- C. Front Hitch Rod**

MAINTENANCE

MAINTENANCE SCHEDULE

The following schedules should be followed for normal care of your rider and mower.

RIDER MAINTENANCE, All Models	Before Each Use	Spring & Fall	8 Hours	25 Hours	100 Hours	200 Hours	Yearly
Clean Debris from Rider and Engine Compartment *	•						
Clean Debris from Engine Cooling Areas & Air Filter *	•						
Check Tire Pressure				•			
Lubricate Rider & Mower *				•			
Clean Deck & Check/Replace Mower Blades				•			
Clean Battery & Cables					•		
Check Rider Safety System **		•			•		•
Check / Adjust PTO Clutch						•	

ENGINE MAINTENANCE, 26HP Kohler	8 Hours or Daily	25 Hours or 2 Months	100 Hours or Annually	200 Hours or 2 Years	200 Hours	500 Hours
Check Engine Oil Level *	•					
Replace Air Filter *		•				
Change Oil & Filter *			•			
Remove Shroud, Clean Cooling Fins *			•			
Replace Fuel Filter †			•			
Check & Re-Gap / Replace Spark Plug				•		•
Service Starter Drive, Check & Adjust Valve Clearance †					•	

* More often in hot (over 85° F: 30° C) weather or dusty operating conditions.

** Check the function of the safety system after the unit has been stored for 30 days or longer.

† These services should be performed by Sears or other qualified service dealer.

Rider Maintenance Items

⚠ WARNING

Move the ground speed levers to **START/PARK** positions, engage the parking brake, turn the mower blades **OFF**, turn the ignition switch **OFF**, and wait for all moving parts to stop before accessing the engine compartment or performing any maintenance procedures.

ACCESSING THE ENGINE COMPARTMENT

Lift up on the back edge of the seat deck to access the engine compartment (see Figure 15).

CLEAN DEBRIS FROM RIDER AND ENGINE COMPARTMENT

Service Interval: Before each use.

CAUTION: If debris is not removed from the engine compartment and other hot surfaces, it creates a fire hazard. Before starting the unit at the beginning of the mowing session, remove any grass clippings, dirt, leaves, or other debris from the unit. Also clean out the engine compartment.

CLEAN DEBRIS FROM ENGINE COOLING AREAS AND AIR FILTER

Service Interval: Before each use.

CAUTION: If debris is not removed from the engine compartment and other hot surfaces, it creates a fire hazard. Before starting the unit at the beginning of the mowing session, lift the seat deck and clean any debris from the intake screen on top of the engine (A, Figure 16), exposed engine cooling fins, and around the air filter assembly. Also open the air filter cover (B) and remove any debris that has accumulated in the air filter compartment.

CHECK TIRE PRESSURE

Service Interval: 25 hours.

Tire pressure should be checked periodically, and maintained at the levels shown in Figure 17. Note that these pressures may differ slightly from the "Max Inflation" stamped on the side-wall of the tires. The pressures shown provide proper traction, improve cut quality, and extend tire life.

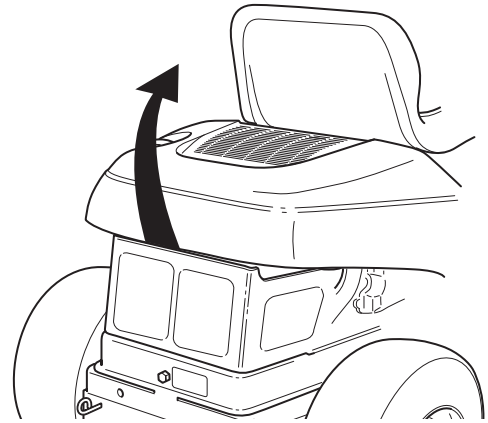


Figure 15. Accessing the Engine Compartment

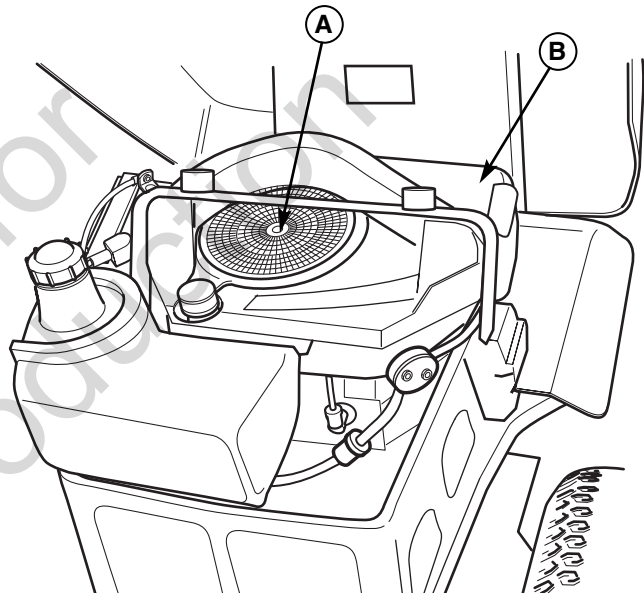
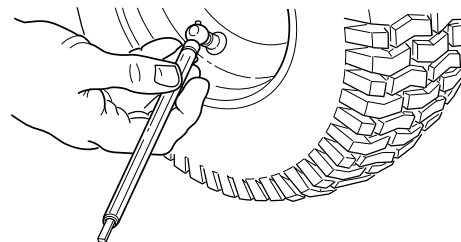


Figure 16. Engine Compartment

A. Intake Screen
B. Air Filter Cover



Tire	Pressure
Front	18-20 psi (1,24-1,38 bar)
Rear	10-12 psi (.69-.83 bar)

Figure 17. Tire Pressures

LUBRICATION

Service Interval: 25 hours.

Lubricate the unit at the locations shown in Figures 18 through 21 as well as the following lubrication points.

Grease:



- front wheel grease fittings
- front wheel bushings
- mower arbors

Use grease fittings when present.

Not all greases are compatible. Use automotive-type lithium grease.

Oil:



- hydro linkage
- brake linkage
- frame pivot points
- mower deck height adjustment linkage

Generally, all moving metal parts should be oiled where contact is made with other parts. Keep oil and grease off belts and pulleys. Remember to wipe fittings and surfaces clean both before and after lubrication.

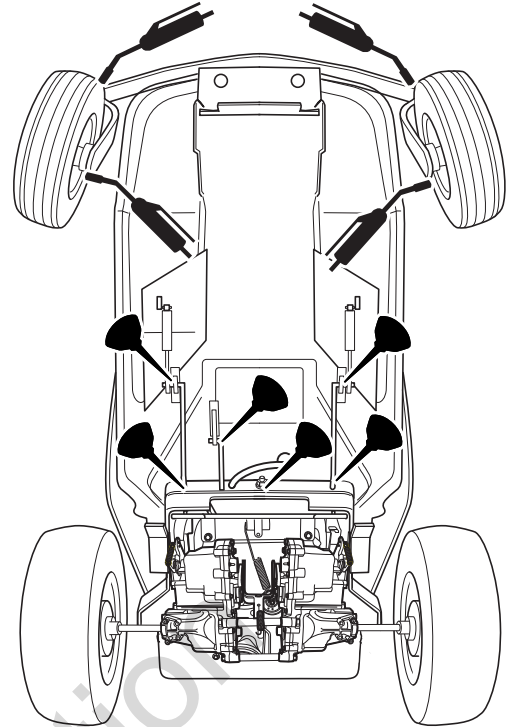


Figure 20. Lubricating Rider

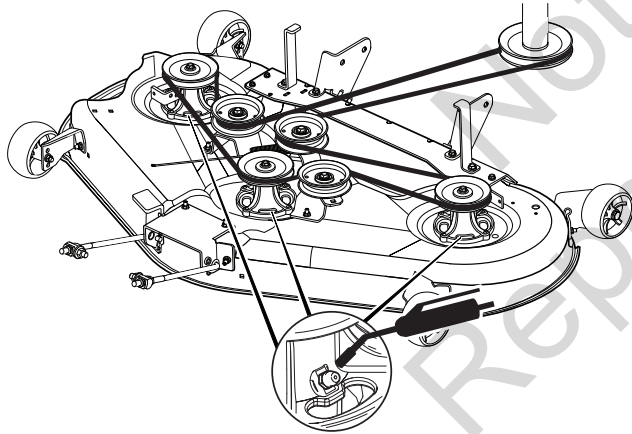


Figure 18. Mower Lubrication

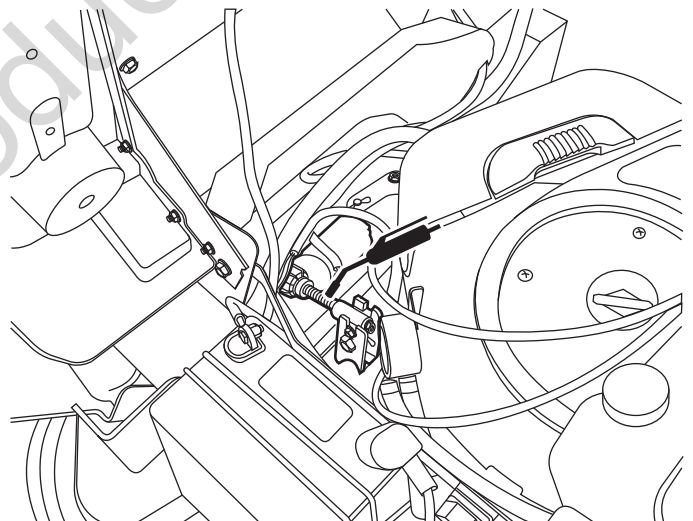


Figure 21. Lubricating Mower Lift

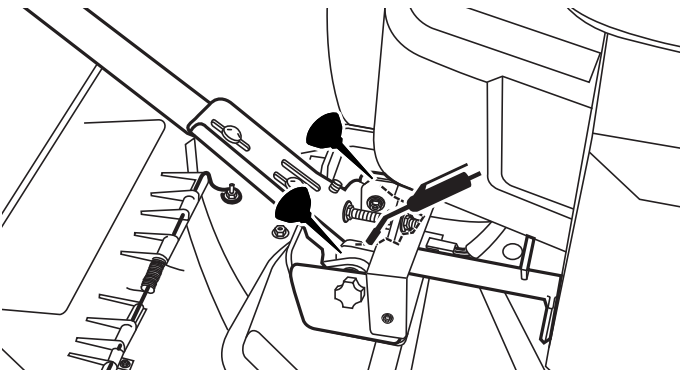


Figure 19. Lubricating Rider

CLEAN DECK & CHECK / REPLACE MOWER BLADES

Service Interval: 25 hours or as required.

⚠ WARNING

For your personal safety, do not handle the sharp mower blades with bare hands. Careless or improper handling of blades may result in serious injury.

⚠ WARNING

For your personal safety, blade mounting capscrews must each be installed with a spring washer, then securely tightened. Torque blade mounting capscrew to 45-55 ft-lbs (61-75 Nm).

1. Remove mower deck (see MOWER DECK REMOVAL in the Operation section).
2. Remove blade to inspect it or to safely access the underside of the mower deck (see Figure 22). Use a block of wood to prevent blade rotation while loosening the capscrew by turning it counterclockwise.
3. Remove the capscrew (A, Figure 23), spring washer (B), and blade.
4. Clean the underside of the mower deck.
5. Inspect the blades for nicks or dull edges. Use a file to sharpen blade to a fine edge. If the blade is damaged, it must be replaced.
6. Balance the blade as shown in Figure 24. Center the blade's hole on a nail lubricated with a drop of oil. A balanced blade will remain level. If the blade is not balanced, continue to sharpen the heavy side until it balances.
7. Reinstall the blade with the lift wings (C, Figure 23) pointing up toward the mower deck as shown.
8. Reinstall the spring washer (B) and capscrew (A). Use a wooden block (B) to prevent blade rotation while tightening the capscrew (A) to 45-55 ft-lbs (61-75 Nm). Turn capscrew clockwise to tighten.

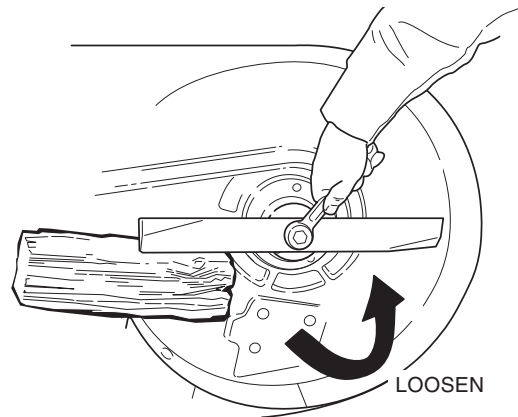


Figure 22. Blade Removal

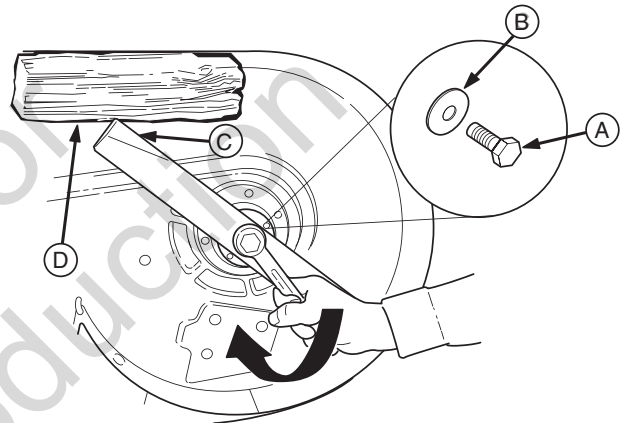


Figure 23. Blade Installation

- A. Blade Capscrew
- B. Spring Washer
- C. Lift Wings
- D. 4x4 Wood Block

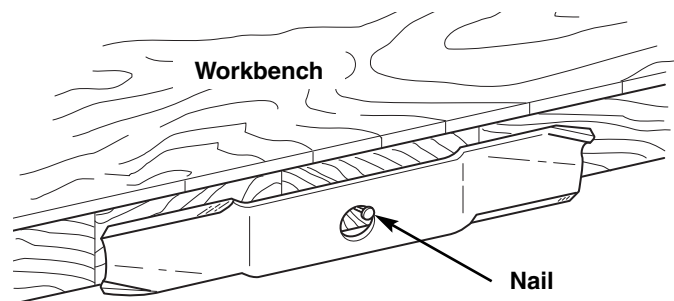


Figure 24. Balancing the Blade

CLEANING THE BATTERY AND CABLES

WARNING



Corrosion hazard.

Batteries contain acid. Always keep the battery upright and do not spill the electrolyte. Avoid contact with skin and eyes.



Explosion hazard.

Changing the battery produces explosive hydrogen gas. Only charge the battery in a well ventilated area, away from any ignition source such as a water heater, electric motor, or a lit cigarette.



Wear Protective Equipment

Always wear gloves and safety glasses when handling the battery and battery cables.

Service Interval: 100 hours.

1. Disconnect the cables from the battery, negative cable first (B, Figure 25).
2. Remove the rubber strap securing the battery, and remove the battery.
3. Clean the battery and battery compartment with a solution of baking soda and water.
4. Clean the battery terminals and cable ends with a wire brush until shiny.
5. Reinstall the battery and secure with the rubber strap.
6. Reattach the battery cables: first attach the positive cable (see A, Figure 25), then attach the negative cable (B).
7. Coat the cable ends and battery terminals with petroleum jelly or non-conducting grease.

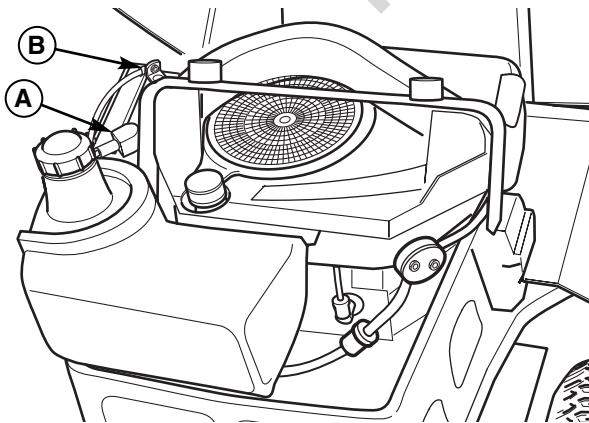


Figure 25. Engine Compartment
A. Positive (+) Battery Cable
B. Negative (-) Battery Cable



CHECK RIDER SAFETY SYSTEM

Service Interval: Every 100 hours, every spring/fall, and after storage of 30 days or longer.

This unit is equipped with safety interlock switches. These safety systems are present for your safety. Do not attempt to bypass safety switches, and never tamper with safety devices. Check their operation regularly.

Operational SAFETY Checks

TEST 1 — ENGINE SHOULD NOT CRANK IF:

- Mower blades switch is ON, OR
- Ground speed control levers are not in their START/PARK positions, OR
- Parking brake lever is in DISENGAGE position.

TEST 2 — ENGINE SHOULD CRANK IF:

- Mower blade switch is OFF, AND
- Ground speed control levers are in their START/PARK positions, AND
- Parking brake lever is in ENGAGE position.

TEST 3 — ENGINE SHOULD SHUT OFF IF:

- Operator rises off seat with the mower blade switch ON, OR
- Operator rises off seat with the ground speed levers in DRIVE positions, OR
- Operator rises off seat with the parking brake in DISENGAGE position, OR
- Operator moves the left and/or right ground speed control lever out of its START/PARK position with the parking brake lever in ENGAGE position.

TEST 4 — BLADE BRAKE CHECK

The mower blades and mower drive belt should come to a complete stop within five seconds after the mower blade switch is turned OFF. If mower drive belt does not stop within five seconds, contact your local authorized dealer.

NOTE: Once the engine has stopped, the mower blade switch must be turned OFF, the ground speed control levers must be locked in their START/PARK positions, and the parking brake lever must be in the ENGAGE position in order to start the engine.

WARNING

If the unit does not pass a safety test, do not operate it. See your local authorized dealer. Under no circumstance should you attempt to defeat the purpose of the safety interlock system.

CHECK / ADJUST PTO CLUTCH

WARNING

To avoid serious injury, perform adjustments only with engine stopped, key removed and tractor on level ground.

Service Interval: 200 hours.

The Power Take Off (PTO) clutch drives the mower blades. The PTO clutch is engaged and disengaged by the mower blade switch. Check the PTO clutch adjustment every 200 hours of operation. Also perform the following procedure if the clutch is slipping, will not engage, or if a new clutch has been installed.

1. Remove key from ignition switch and disconnect spark plug wires to prevent the possibility of accidental starting while the PTO is being adjusted.
2. Note the position of the 3 adjustment windows (A, Figure 26) in the side of the brake plate and the nylock adjustment nuts (B).
3. Insert a .012"-.015" (2,5-4 mm) feeler gauge (C) through each window, positioning the gauge between the rotor face and the armature face as shown in Figure 27.
4. Alternately tighten the adjustment nuts (B, Figure 27) until the rotor face and armature face just contacts the gauge.
5. Check the windows for an equal amount of tension when the gauge is inserted and removed, and make any necessary adjustments by tightening or loosening the adjustment nuts.

NOTE: The actual air gap between the rotor and armature may vary even after performing the adjustment procedure. This is due to dimensional variations on component parts, and is an acceptable condition.

6. Check the mower blade stopping time. The mower blades and mower drive belt should come to a complete stop within five seconds after the electric PTO switch is turned off. If adjustment does not stop a mower braking problem, replace the electric PTO clutch.

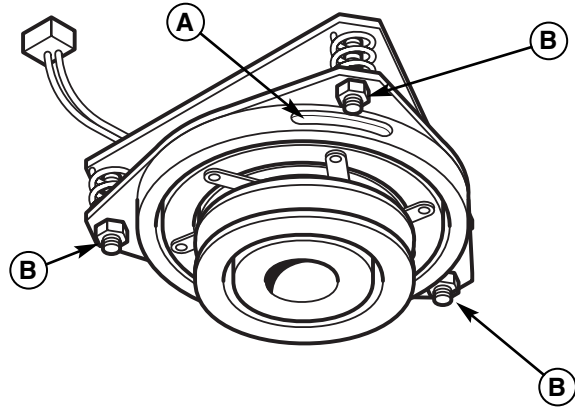


Figure 26. PTO Clutch Adjustment
A. Adjustment Window (Qty. 3, one shown)
B. Adjustment Nut (3)

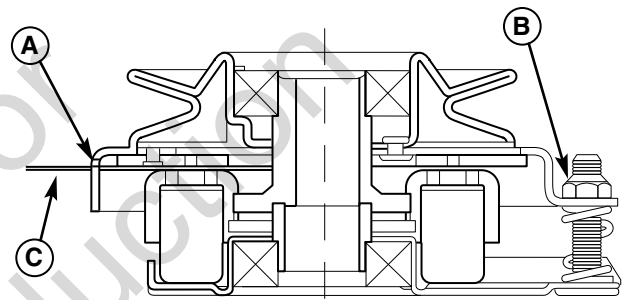


Figure 27. Adjust PTO Clutch
A. Window
B. Adjustment Nut
C. Feeler Gauge

Engine Maintenance Items

CHECK ENGINE OIL LEVEL

Service Interval: Before each use, and every 8 hours.

1. Turn the engine off, and set the ground speed controls to PARK. Park on a level surface. Allow the engine to cool.
2. Clean the area around the dip stick (C, Figure 29).
3. Remove the dip stick (C) and clean it with a paper towel.
4. Insert the dip stick back into the engine, and push firmly into place.
5. Remove the dip stick and read the oil level. The oil level should be between the "F" and "L" marks (D). If not, add oil according to the oil recommendations chart (see Figure 28).

CHANGE ENGINE OIL & FILTER

Service Interval: 100 hours.

NOTE: Change engine oil while the engine is warm. Run the engine for a few minutes, then shut the engine off and allow it to cool.

1. Clean the area around the dip stick (C, Figure 29) and oil drain (A).
2. Remove the oil drain plug (A) and dip stick (C). Allow ample time for complete drainage.
3. Remove the oil filter (B). Discard the filter.
4. Turn the new filter upside down and fill with fresh engine oil. Allow the oil to seep into the new filter for two minutes.
5. Using a drop of oil on your finger tip, wet the rubber gasket on the bottom of the new filter.
6. Dump the oil out of the filter and install the filter on the filter base. Turn the filter clockwise until the rubber gasket meets the filter base. Then turn 2/3 to 1 full turn more.
7. Reinstall the oil drain plug (A) and route the oil drain hose along side the engine.
8. Fill the crankcase with oil. See CHECK ENGINE OIL LEVEL above.
9. Test run the engine to check for leaks. Stop the engine for 1 minute, then recheck the oil level.

Use oil classified API Service Class SG, SH, SJ or better with SAE Viscosity:

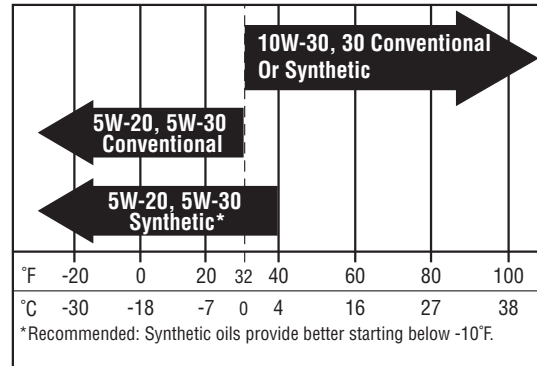


Figure 28. Recommended Engine Oil

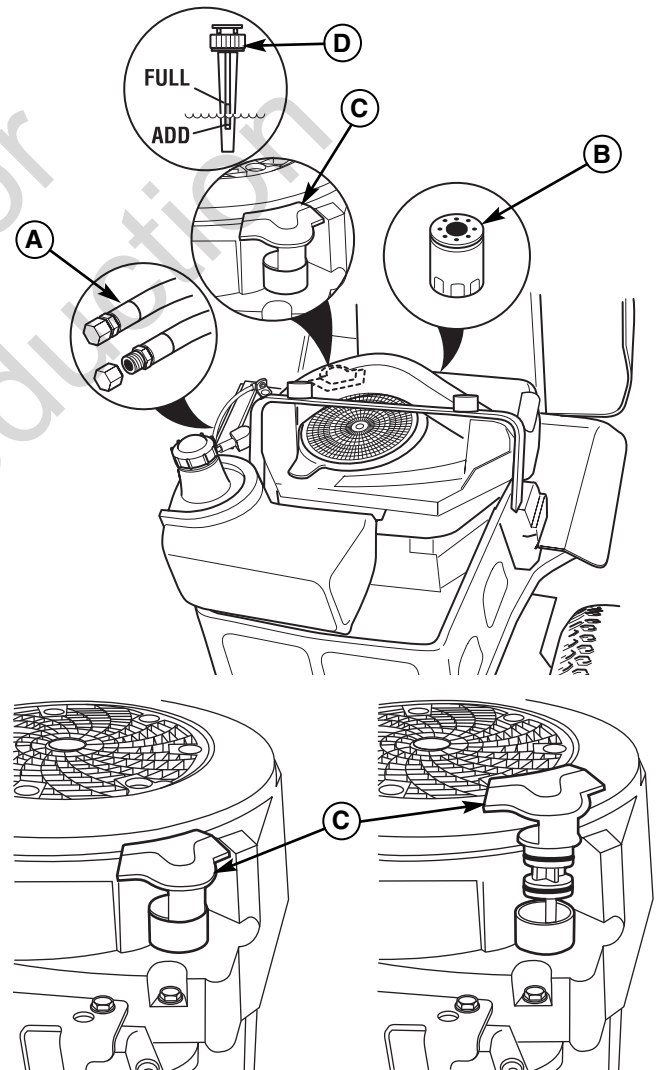


Figure 29. Oil Change

- A. Oil Drain Tube
- B. Oil Filter
- C. Dip Stick
- D. Checking Oil Level

REPLACE AIR FILTER

Service Interval: Every 25 hours or two months, or as required.

1. Loosen the air filter cover knobs (A, Figure 30) and remove the cover (B). Clean out any debris from around the air filter. Inspect the condition of the sealing surfaces of the air filter element (C) and filter base (D). Replace any damaged parts.
2. Remove the air filter element (C).
3. Install the new air filter element with the pleated side out and seat it onto the edges of the air cleaner base (D).
4. Reinstall the air filter cover (B) and secure with the two knobs (A).

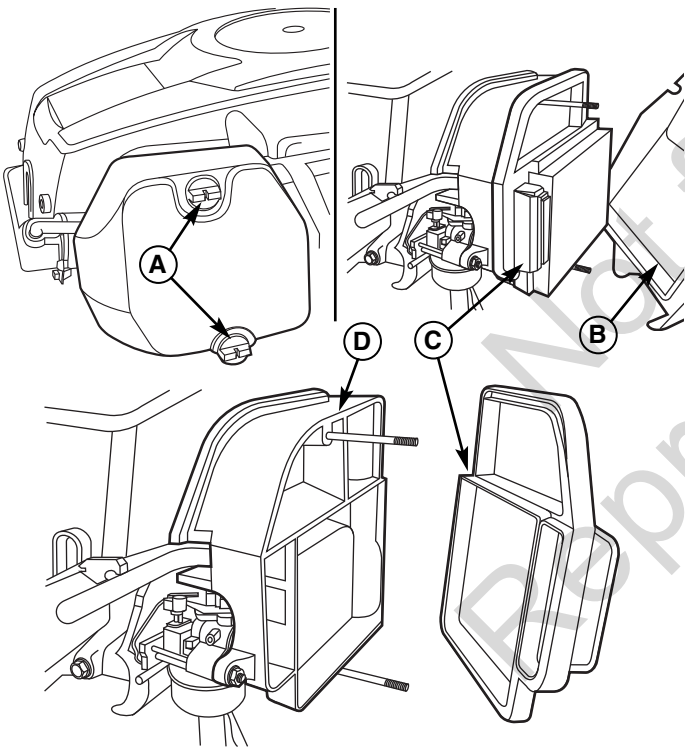


Figure 30. Air Filter Assembly

- A. Knobs
- B. Cover
- C. Air Filter
- D. Base

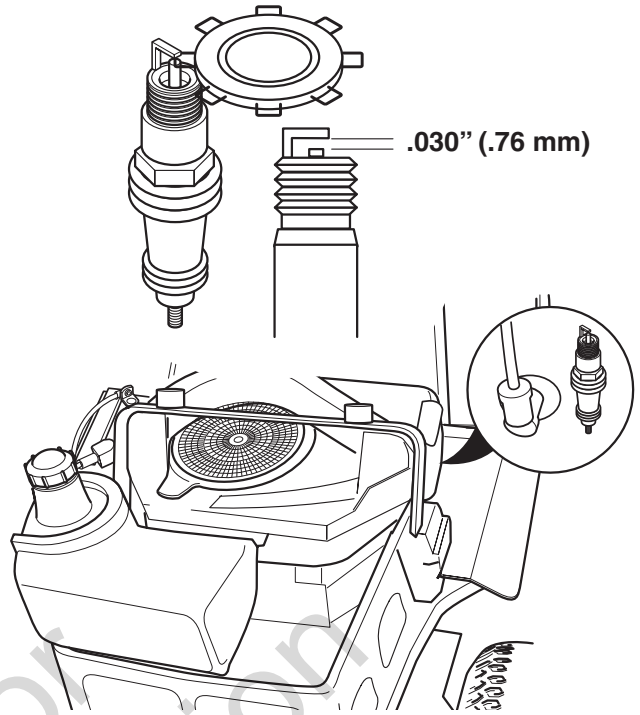


Figure 31. Spark Plug Gapping

SERVICE SPARK PLUG

Service Interval: Inspect and re-gap every 200 hours or two years. Replace every 500 hours or as required.

Spark Plug Gap: .030" (.76 mm)

1. Stop the engine and allow it to cool.
2. Clean the area around the spark plug.
3. Remove the spark plug and inspect it. If at all damaged or worn, replace it.
4. Check the spark plug gap. The gap (new or used plug) should be .030" (see Figure 31).
5. Reinstall the plug into the cylinder head. Tighten the plug to 28-32 ft-lbs (38-43 Nm).

SERVICE & ADJUSTMENTS

GROUND SPEED CONTROL LEVER ADJUSTMENT

The control levers have three adjustments:

To Adjust Control Lever Height: Pull the levers in across the operator's lap to their DRIVE positions. Loosen the mount bolts (D, Figure 32) and raise or lower the levers to the desired position. Tighten the mounting bolts.(D).

To Adjust Control Lever End Gap: The control lever end gap should be adjusted so that the levers do not contact each other when placed in DRIVE positions. Loosen the jam nut (A, Figure 32) and adjust the length of the carriage bolt (B) so that the levers do not contact each other. Repeat on the opposite side. Tighten the jam nut (A) to lock the carriage bolt in position.

To Adjust Operator Clearance: The space between the operator and the control levers can be increase by removing the lower mounting bolt (D, Figure 32), pivoting the lever forward, and reinstalling the capscrew through the control lever and forward slot (C). Repeat with the other ground speed lever.

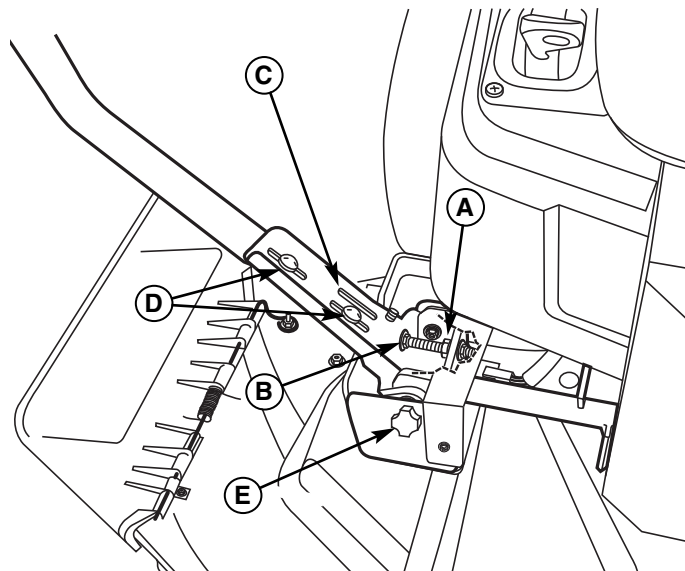


Figure 32. Control Lever Adjustment

- A. Jam Nut
- B. Carriage Bolt
- C. Forward Slot
- D. Mount Bolts
- E. Knob

SPEED BALANCING ADJUSTMENT

If the rider veers to the right or left when the ground speed control levers are in the maximum forward position, the top speed of the right lever can be balanced by turning the adjustment knob (E, Figure 32). Loosen the jam nut and turn the knob COUNTERCLOCKWISE to increase speed or CLOCKWISE to decrease speed. Tighten the jam nut when complete.

CUTTING HEIGHT ADJUSTMENT

To increase the mower cutting height (raise the mower deck), press the top of the mower cutting height switch (A, Figure 33). To decrease mower cutting height (lower the mower deck), press the bottom of the switch. Mower cutting height range is 3-3/4" to 1-1/2" (9,5-3,8 cm). The cutting height gauge indicates the position of the mower deck. The cutting height gauge (B) is located on the front of the rider, just behind the driver's left leg.

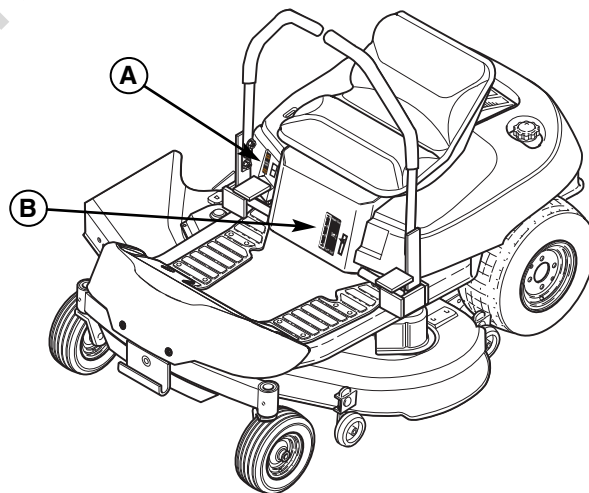


Figure 33. Cutting Height Adjustment

- A. Cutting Height Adjustment Switch
- B. Cutting Height Gauge


PTO CLUTCH ADJUSTMENT

See CHECK / ADJUST PTO CLUTCH in the Maintenance Section.

BRAKE ADJUSTMENT

1. Stop the unit, set the ground speed levers to START/PARK positions, set the parking brake lever to the ENGAGE position, turn the ignition OFF, and wait for all moving parts to stop. Remove the key.
2. Set both transmission release levers to the PUSH position. (Refer to PUSHING THE RIDER BY HAND.)
3. Push the rider forward to make sure both transmission brakes are fully engaged and both rear wheels are locked in the stationary position (no rotation).
4. Locate the brake rod (A, Figure 34) and adjustment nut (B).
5. Measure the parking brake spring. Its compressed length, with the parking brake lever in the ENGAGE position, should be 3-1/2" (8,89 cm). Adjust the spring length by turning the adjustment nut (B), if necessary.

WARNING

 **Corrosion hazard.**

Batteries contain acid. Always keep the battery upright and do not spill the electrolyte. Avoid contact with skin and eyes.

 **Explosion hazard.**

Changing the battery produces explosive hydrogen gas. Only charge the battery in a well ventilated area, away from any ignition source such as a water heater, electric motor, or a lit cigarette.

 **Wear Protective Equipment**

Always wear gloves and safety glasses when handling the battery and battery cables.

BATTERY CHARGING

A dead battery or one too weak to start the engine may be the result of a defect in the charging system or other electrical component. If there is any doubt about the cause of the problem, contact your local dealer. If you need to replace the battery, follow the steps under CLEANING THE BATTERY & CABLES in the Maintenance Section.

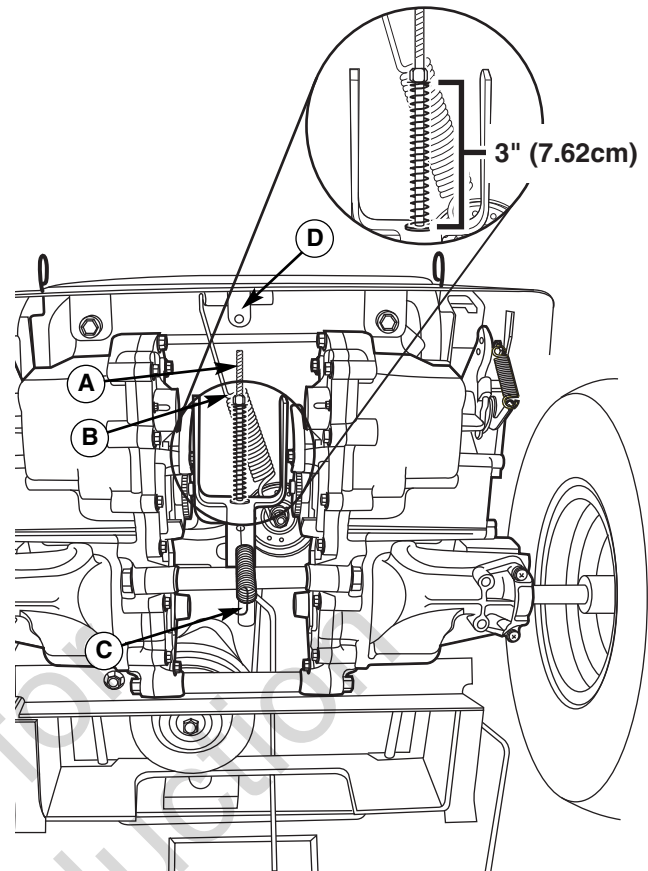


Figure 34. Brake Adjustment

- A. Brake Rod**
- B. Adjustment Nut**
- C. Return Spring (Removed for Illustration Only)**
- D. Return Spring Hole**

To charge the battery, follow the instructions provided by the battery charger manufacturer as well as all warnings included in the safety rules sections of this book. Charge the battery until fully charged (until the specific gravity of the electrolyte is 1.250 or higher and the electrolyte temperature is at least 60° F). Do not charge at a rate higher than 10 amps.

ENGINE ADJUSTMENTS

The engine is designed to deliver the correct performance under all operating conditions. Any adjustments must be performed by a Sears or other qualified service dealer.

MOWER DECK LEVELING ADJUSTMENTS

WARNING

Before adjusting the mower, turn the mower blades OFF, turn the ignition switch OFF, remove the key, and allow all moving parts to stop. Disconnect the spark plug wire and fasten it away from the spark plug.

Side to Side Leveling

If the cut is uneven, the mower may need leveling. Unequal or improper tire pressure may also cause an uneven cut. See CHECK TIRE PRESSURE.

1. With the mower installed, place the rider on a smooth, level surface such as a concrete floor. Turn the front wheels straight forward. Turn the engine off, set the ground speed control levers to PARK, and wait for all moving parts to stop.
2. Check for bent blades and replace if necessary.
3. Check the tire pressures. See CHECK TIRE PRESSURE.
4. Set the cutting height to mid position. Arrange the mower blades so that they are pointing from side-to-side (see Figures 35 & 36).
5. Measure the distance between the tips of the outside blades and the ground (see Figure 36). If there is more than 1/8" (3 mm) difference between the measurements on each side, proceed to Step 6. If the difference is 1/8" (3 mm) or less, proceed to Front To Back Leveling.
6. Side-to-side leveling is accomplished using the threaded rods (A, Figure 37) and trunnion (B) on the right and left rear sides of the mower deck. Loosen the jam nuts (C) and adjust the nuts up or down to adjust the mower level. When complete, tighten the jam nuts against the trunnion to lock the adjustment in place.

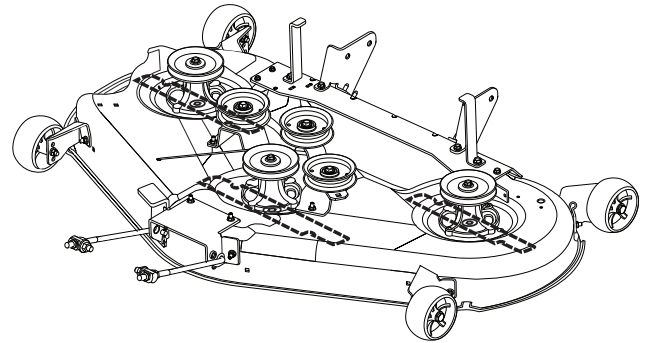


Figure 35. Orient Blades Side-to-Side

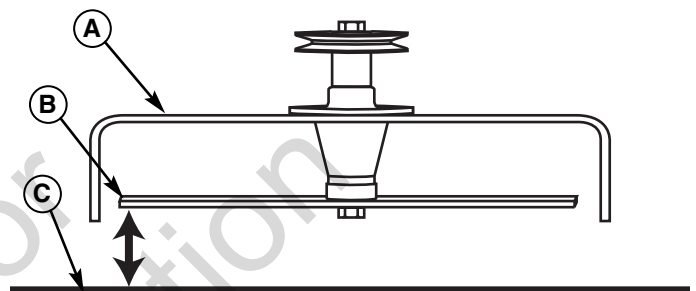


Figure 36. Measure Blade Tips to Ground
A. Mower Deck
B. Blade Tip
C. Level Ground

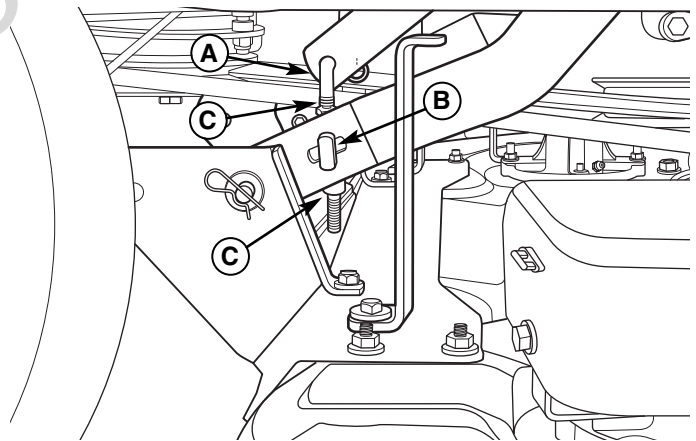


Figure 37. Side-to-Side Leveling
A. Threaded Rod
B. Trunnion
C. Jam Nuts

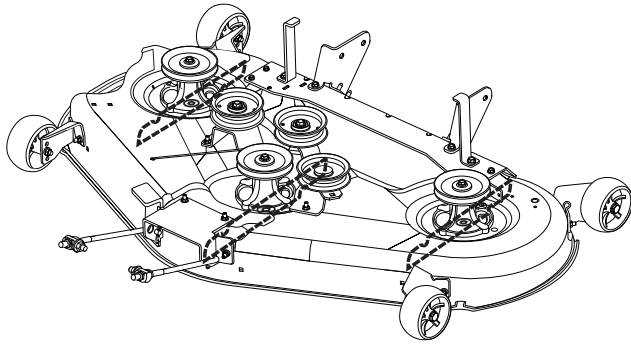


Figure 38. Orient Blades Front-to-Back

Front To Back Leveling

If the cut is uneven, the mower may need leveling. Unequal or improper tire pressure may also cause an uneven cut. See CHECK TIRE PRESSURE.

1. Turn the blades front-to-back as shown in Figure 38. Measure the distance from the ground to front tip of center blade, and from ground to rear tips of left hand and right hand blades (see Figure 38). Front tips should be 1/8"-1/4" (3-6 mm) higher than rear tips. If not, proceed to Step 2.
2. The front hitch rod (A, Figure 39) is used to adjust front-to-back leveling. To raise or lower the front of the mower deck, loosen the two rear jam nuts (B) on both sides of the front hitch rod (A). Adjust the front jam nuts (C) on both sides of the front hitch rod (A) to adjust the mower deck level. When adjusted correctly, tighten the rear jam nuts (B) to lock the front hitch rod in place.

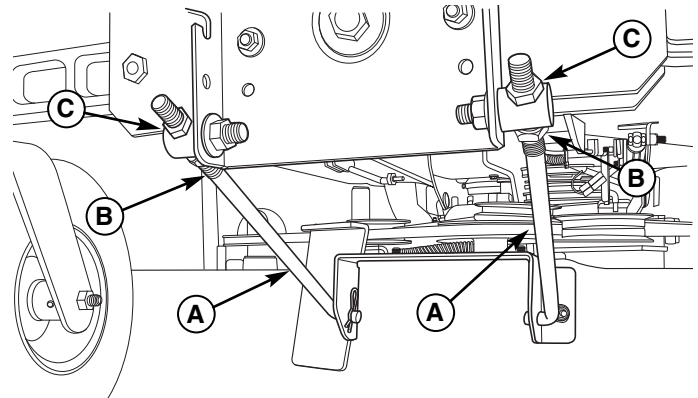


Figure 39. Front-to-Back Leveling

- A. Front Hitch Rod
- B. Rear Jam Nut
- C. Front Jam Nut

MOWER BELT REPLACEMENT

1. Park the rider on a level surface. Disengage the PTO, turn off the engine and set the ground speed control levers to PARK. Remove the key.
2. Remove belt covers.
3. Insert ratchet into 3/8" (9.5 mm) square hole in idler pulley arm (A, Figure 40) and pull to release belt tension.
4. Remove the mower drive belt (B) from the engine drive pulley (C).
5. Remove the belt from the remaining deck pulleys.
NOTE: It is not necessary to remove the mower deck to replace the belt.
6. Install the new mower belt as shown in Figure 40.

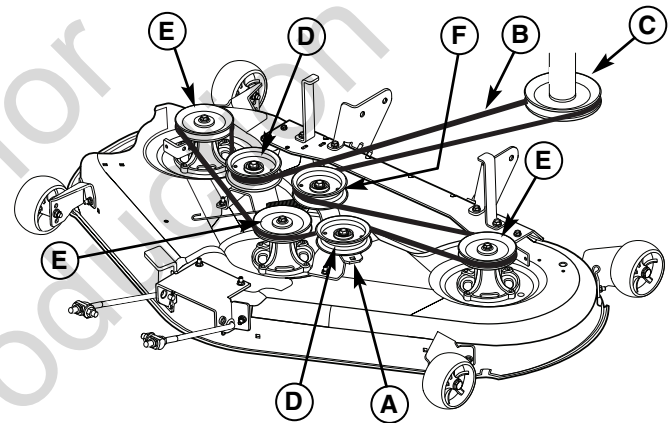


Figure 40. Mower Belt Routing

- A. Idler Pulley Arm
- B. Mower Belt
- C. Engine Drive Pulley
- D. Fixed Idler Pulley (2)
- E. Arbor Drive Pulley (3)
- F. Adjustable Tension Idler Pulley

MOWER DECK WASHOUT PORT

NOTE: The washout port allows you to connect a typical garden hose to the trim side (L.H.) of the mower deck to remove grass and debris from the underside. This ensures proper and safe operation of the mower.

1. Place the lawn tractor on a smooth level surface.

⚠️ WARNING

Before running the mower, make sure the hose is properly connected and does not come into contact with the blades. When the mower is running and the blades are engaged, the person cleaning the mower deck must be in the operator position, and there are no bystanders. Failure to follow these precautions may result in serious injury or death.

2. Attach the quick disconnect (A, Figure 41) to garden hose (B) and connect to washout port (C) on mower deck.
3. Turn the mower on and place in the highest cutting position.
4. Run water to remove grass and debris from underside of mower deck.
5. Turn the mower off.
6. Remove the garden hose and quick disconnect from the washout port when completed.

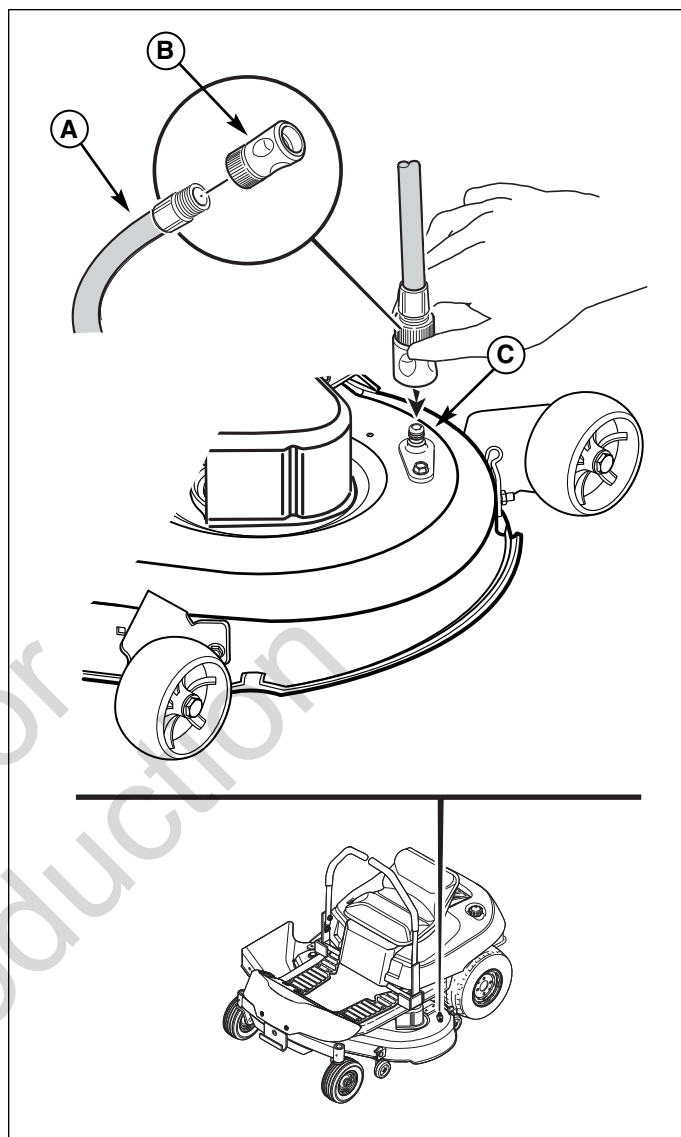


Figure 41. Mower Deck Washout Port

A. Quick Disconnect

B. Hose

C. Washout Port

STORAGE

STORAGE

Before Storage

Before you store your unit for the off-season, read the Maintenance and Storage instructions in the Safety Rules section, then perform the following steps:

- Turn the mower blades OFF, set the ground speed control levers to START / PARK, set the parking brake lever to ENGAGE, and remove the key from the ignition switch.
- Check all fluid levels. Check all maintenance items.
- Battery life will be increased if it is removed, put in a cool, dry place and fully charged about once a month. If the battery is left in the unit, disconnect the negative cable.

It is important to prevent gum deposits from forming in the essential fuel system parts such as the carburetor, fuel filter, fuel line, and fuel tank during storage. Also, alcohol blended fuels (called gasohol or using ethanol or methanol) can attract moisture which leads to the sepa-

WARNING

Never store the unit (with fuel) in an enclosed, poorly ventilated structure. Fuel vapors can travel to an ignition source (such as a furnace, water heater, etc.) and cause an explosion.

Fuel vapor is also toxic to humans and animals.

ration and formation of acids during storage. Acidic gas can damage the fuel system of an engine while in storage.

To avoid engine problems use fuel stabilizer, especially before storage of 30 days or longer.

After Storage

Before starting the unit after it has been stored:

- Check all fluid levels. Check all maintenance items.
- Fill with FRESH fuel.
- After starting, allow the engine to warm before operating.

SPECIFICATIONS

NOTE: Specifications are correct at time of printing and are subject to change without notice.

ENGINE:

Make	Kohler
Model	Courage SV735S
Horsepower	26 @ 3600 rpm
Displacement	44.2 cu in. (724 cc)
Electrical System	12 Volt, 16 amp. Alternator, Battery: 230 CCA
Oil Capacity	1.7-1.9 qt (1,6-1,8 L)

TRANSMISSION:

Type	Hydro-Gear EZT ZC-AHBB-2A7B-1DPX
Hydraulic Fluid	20w 50 Premium Engine Oil
Continuous Torque Output	115 ft-lbs (160 Nm)
Maximum Weight per Axle	340 lbs (154,2 kg)

CHASSIS:

Fuel Tank	Capacity: 4.0 Gallons (15,14 Liters)
Rear Wheels	Tire Size: 18 x 8.5 - 8 Inflation Pressure: 10-12 psi (.69-.83 bar)
Front Wheels	Tire Size: 11 x 4 - 5 Inflation Pressure: 18-20 psi (1,24-1,30 bar)

The gross power rating for individual gas engine models is labeled in accordance with SAE (Society of Automotive Engineers) code J1940 (Small Engine Power & Torque Rating Procedure), and rating performance has been obtained and corrected in accordance with SAE J1995 (Revision 2002-05). Torque values are derived at 3060 RPM; horsepower values are derived at 3600 RPM. Actual gross engine power will be lower and is affected by, among other things, ambient operating conditions and engine-to-engine variability. Given both the wide array of products on which engines are placed and the variety of environmental issues applicable to operating the equipment, the gas engine will not develop the rated gross power when used in a given piece of power equipment (actual "on-site" or net horsepower). This difference is due to a variety of factors including, but not limited to, accessories (air cleaner, exhaust, charging, cooling, carburetor, fuel pump, etc.), application limitations, ambient operating conditions (temperature, humidity, altitude), and engine-to-engine variability. Due to manufacturing and capacity limitations, Briggs & Stratton may substitute an engine of higher rated power for this Series engine.

TROUBLESHOOTING

While normal care and regular maintenance will extend the life of your equipment, prolonged or constant use may eventually require that service be performed to allow it to continue operating properly. The troubleshooting guide below lists the most common problems, their causes and remedies.

If you prefer, all of these procedures can be performed for you by a Sears Parts & Repair Center. See the back cover for important Sears Parts & Repair Center information.

WARNING

To avoid serious injury, perform maintenance on the rider or mower only when the engine is stopped and the ground speed levers are set to PARK.

Always remove the ignition key, disconnect the spark plug wire and fasten it away from the plug before beginning the maintenance, to prevent accidental starting of the engine.

Troubleshooting the Rider		
PROBLEM	CAUSE	REMEDY
Engine will not turnover or start.	Ground speed levers not set to START/PARK.	Set to START/PARK.
	Mower blade switch in ON position.	Place in OFF position.
	Ground speed levers not set to START/PARK.	Set to START/PARK.
	Choke not in CLOSED position.	Move choke to CLOSED position.
	Ignition switch not turned fully to START position.	Turn ignition switch fully to START position.
	Out of fuel.	Allow engine to cool, then refill the fuel tank.
	Engine flooded.	Set choke to OPEN position when cranking engine.
	Fuel is old or stale, or water in fuel.	Drain fuel & replace with fresh fuel. Contact Sears Parts & Repair.
	Battery terminals require cleaning.	Clean the battery terminals.
	Battery discharged or dead.	Recharge or replace.
	Spark plug(s) faulty, fouled or incorrectly gapped.	Clean and gap or replace.
	Wiring loose or broken.	Visually check wiring & replace broken or frayed wires. Tighten loose connections.
	Solenoid or starter motor faulty.	Replace. Contact Sears Parts & Repair.
Safety interlock switch faulty.	Replace. Contact Sears Parts & Repair.	
Engine starts hard or runs poorly.	Air filter plugged.	Service pre-cleaner and/or replace air filter element.
	Choke not set to CLOSED position when cranking the engine, OR choke not set to OPEN after engine starts.	Set choke to CLOSED when cranking. Set choke to OPEN when engine is running. A warm engine may not require choking.
	Spark plug faulty, fouled, or incorrectly gapped.	Clean and gap or replace.
Engine knocks.	Low oil level.	Check/add oil as required.
	Using wrong grade oil.	See "Change Engine Oil" in the Maintenance Section.
Excessive oil consumption.	Engine running too hot.	Clean engine cooling fins, blower screen and air cleaner.
	Using wrong weight oil.	See "Change Engine Oil" in the Maintenance Section.
	Too much oil in crankcase.	Drain excess oil.
Engine exhaust is black.	Dirty air filter or pre-cleaner, or both.	Service or replace as required. See Maintenance Section.
	Choke set to CLOSED when engine is running.	Set choke to OPEN as soon as engine starts.

Engine runs, but rider will not drive.	Transmission release levers in PUSH positions.	Move levers to DRIVE positions.
	Drive belt slips.	Clean or replace belt as necessary.
	Belt is broken.	Replace drive belt. Contact Sears Parts & Repair.
	Parking brake is not fully released.	Contact Sears Parts & Repair.
Rider drive belt slips.	Pulleys or belt greasy or oily.	Clean as required.
	Belt stretched or worn.	Replace belt. Contact Sears Parts & Repair.
Parking brake will not hold.	Parking brake is incorrectly adjusted.	See Service & Adjustments Section.
Rider steers or handles poorly.	Improper tire inflation.	See Maintenance Section.
	Steering linkage is loose.	Check and tighten any loose connections.
Rider tracks to one side.	Ground speed adjustment knobs not adjusted.	See SPEED BALANCING ADJUSTMENT in Service & Adjustments section.

Troubleshooting the Mower

PROBLEM	CAUSE	REMEDY
Mower cutting height does not adjust.	Cutting height motor screw dirty or requires lube.	Thoroughly clean and lubricate cutting height motor screw.
	Cutting height linkage disconnected.	Check that mower linkage is connected.
Mower cut is uneven.	Rider tires not inflated equally or properly.	See Maintenance Section.
	Mower not leveled properly.	See "Mower Leveling" in Service & Adjustments.
Mower cut is rough looking.	Engine speed too slow.	Always set engine speed to FAST when mowing.
	Ground speed too fast.	Decrease ground speed.
	Blades are dull.	Sharpen or replace blades. See Maintenance Section.
	Mower drive belt slipping because it is oily or worn.	Clean or replace belt as necessary.
	Blades not properly fastened to arbors.	See "Check/Replace Mower Blades" in Maintenance Section.
Engine stalls easily with mower engaged.	Engine speed too slow.	Always set engine speed to FAST when mowing.
	Ground speed too fast.	Decrease Ground Speed.
	Cutting height set too low.	Cut tall grass at maximum cutting height during first pass.
	Underside of mower deck dirty.	Remove mower deck and clean underside.
	Discharge chute jamming with cut grass.	Cut grass with discharge pointing toward previously cut area.
Excessive mower vibration.	Blade mounting bolts are loose.	Tighten to 45-55 ft-lbs (61-75 Nm).
	Mower blades, arbors, or pulleys are bent.	Check and replace as necessary.
	Mower blades are out of balance.	Replace or balance blades. See Maintenance Section.
	Belt installed incorrectly.	Reinstall correctly.
Mower drive belt slips or fails to drive.	Idle pulley spring broken or not properly attached.	Repair or replace as needed.
	Mower drive belt broken.	Replace drive belt.
	PTO clutch out of adjustment.	Adjust PTO clutch. See Maintenance Section.

Manual Del Dueño

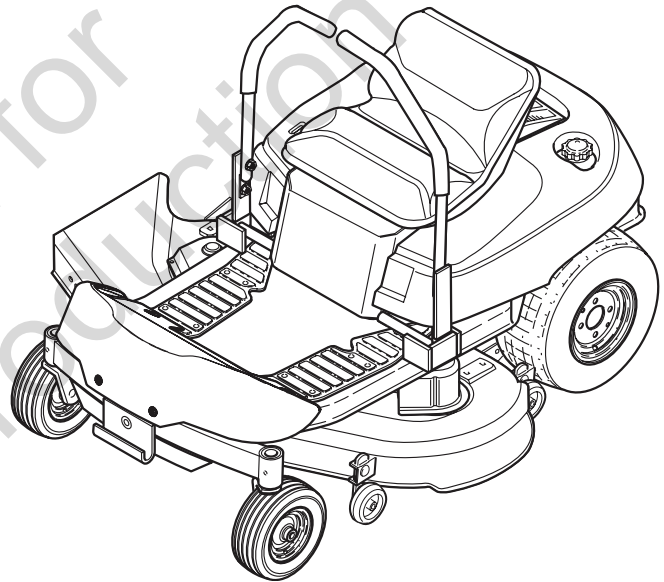
CRAFTSMAN®

ZTS 6000

Gire a cero los montables posteriores del motor con el arranque eléctrico

No. de modelo

107.289930 (26HP Kohler Engine con segadora de 52")



PRECAUCIÓN: Este producto tiene un motor con expulsión baja el cual funciona diferentemente a otros motores. Antes que arranque el motor, lea y comprenda el Manual del Dueño.

Para obtener respuestas a cualquier pregunta sobre este producto, llame al número de teléfono-(sin cobro) siguiente:

1-800-659-5917

Servicio de ayuda Sears Craftsman
5 am - 5 pm, Lunes a Sabado

Not for
Reproduction

ÍNDICE

Declaración de Garantía	39	Especificaciones	70
Reglas e Información de Seguridad	40	Diagnóstico	71
Números de Identificación.....	45	Partes de Refacción	PTS-1
Montaje	46	Hardware y Especificaciones del Esfuerzo de Torsión	PTS-42
Pre-Operación.....	49	Repáre El Acuerdo de la Protección	Dentro De la Cubierta Trasera
Operación.....	50	Mantenga Los Números De Phono	Cubierta Trasera
Mantenimiento	57		
Servicio y Ajustes.....	65		
Almacenamiento.....	70		

NOTA: En este manual, "izquierda" y "derecha" se refieren según como se vea desde la posición de operación.

GARANTÍA

GARANTÍA COMPLETA DE FABRICACIÓN

Cuando se opera y mantiene de acuerdo con todas las instrucciones que se proporcionan, si alguna pieza no ampliable de este equipo falla debido a un defecto en los materiales o en la fabricación dentro de dos años desde la fecha de compra, llame a 1-800-659-5917 para solicitar una reparación gratuita en su hogar.

La cubierta y el eje delantero se repararán de manera gratuita durante cinco años desde la fecha de compra si se trata de un defecto de material o de fabricación.

La cobertura de la garantía anterior se aplica solo durante 90 días desde la fecha de compra si este equipo se usa alguna vez con propósitos comerciales o de arriendo.

En todos los casos, si la reparación no es posible, el equipo se reemplazará de manera gratuita con el mismo modelo o un modelo equivalente.

La batería se reemplazará de manera gratuita durante 90 días desde la fecha de compra si es defectuosa en los materiales o en la fabricación (nuestra prueba comprueba que no mantiene carga).

Esta garantía SOLAMENTE cubre defectos de material y fabricación. Sears NO pagará:

- Artículos prescindibles que se gasten durante el uso normal, entre los que figuran, entre otros, aspas, bujías, purificadores de aire, correas y filtros de aceite.
- Servicio de mantenimiento normal, cambios de aceite o afinamientos.
- Reemplazo o reparación de neumáticos debido a pinchazos por objetos exteriores, como clavos, espinas, tocones o vidrio.
- Reemplazo o reparación de neumáticos o ruedas producto de desgaste, accidentes, o mantenimiento o funcionamiento inadecuados.
- Reparaciones necesarias debido a abuso del operador, incluidos, entre otros, daños provocados por remolcar objetos que sobrepasen la capacidad del equipo, impactos a objetos que doblen el bastidor o cigüeñal, o sobrepasar la velocidad del motor.
- Reparaciones necesarias debido a negligencia del operador, incluidos, entre otros, daños mecánicos o eléctricos provocados por almacenamiento inadecuado, no utilizar el tipo o la cantidad correcta de aceite de motor, no mantener la cubierta libre de desperdicios inflamables o no mantener al equipo de acuerdo con las instrucciones que se incluyen en el manual del operador.
- Reparaciones o limpiezas al motor (sistema de combustible) provocadas por combustible que se determine contaminado u oxidado (deteriorado). En general, se debe utilizar el combustible dentro de 30 días a partir de la fecha de compra.
- Desgaste y deterioro normal de los acabados exteriores o reemplazo de la etiqueta del producto.


Esta garantía sólo se aplica mientras este producto esté dentro de los Estados Unidos.

Esta garantía le otorga derechos legales específicos, y Vd. puede ostentar otros derechos, que pueden variar de estado en estado.

Sears, Roebuck and Co., Hoffman Estates, IL 60179

REGLAS DE SEGURIDAD



Lea estas reglas de seguridad y síguelas con cuidado. No obedecer estas reglas puede ocasionar la pérdida del control sobre la unidad, lesiones severas a la persona o la muerte de usted, o espectadores, o daños a la propiedad o al equipo. **Esta cubierta de la podadora es capaz de amputar manos y pies y de arrojar objetos.** El triángulo  en el texto denota precauciones o advertencias importantes que deben obedecerse.

OPERACIÓN GENERAL

- Lea, entienda y siga todas las instrucciones en el manual y en la unidad antes de arrancar.
- No coloque las manos o pies cerca de las partes giratorias o debajo de la máquina. Manténgase alejado de la abertura de expulsión en todo momento.
- Sólo permita que un adulto responsable, que esté familiarizado con las instrucciones, opere la unidad (los reglamentos locales pueden restringir la edad del operador).
- Retire del área objetos tales como piedras, juguetes, etc., que pueden ser cogidos y arrojados por las aspas.
- Asegúrese de que el área esté libre de otra gente antes de podar el césped. Detenga la unidad si alguien entra en el área.
- Nunca lleve pasajeros.
- No pade el césped en reversa a menos que sea absolutamente necesario. Siempre mire hacia abajo y hacia atrás antes de echarse en reversa y mientras lo hace.
- Nunca descargue el material directamente hacia alguien. Evite descargar el material contra una pared u obstrucción. El material puede rebotar hacia el operador. Detenga las aspas cuando cruce por superficies cubiertas de grava.
- No opere la máquina sin el recogedor completo de hierba, guarda de descarga (deflector) ni otros dispositivos de seguridad en su lugar y operacionales.
- Baje la velocidad antes de dar la vuelta.
- Nunca deje la unidad operando sin supervisión. Siempre desacople las cuchillas (PTO), ponga el freno de mano, detenga el motor y quite las llaves antes de desmontar.
- Desacople las cuchillas (PTO) cuando no esté podando el césped. Apague el motor y espere a que todas las partes se detengan por completo antes de limpiar la máquina, quitar el recolector de hierba o desatascar la guarda de la descarga.
- Opere la máquina sólo a la luz del día o con buena luz artificial.
- No opere la unidad si usted está bajo la influencia de alcohol o drogas.
- Tenga cuidado con el tráfico si opera cerca de alguna calle.
- Sea extremadamente cuidadoso al cargar o descargar la unidad en un remolque o camioneta.
- Siempre protéjase los ojos cuando opere esta unidad.
- Los datos indican que operadores, de 60 años y más, están involucrados en un gran porcentaje de lesiones asociadas con equipos motorizados. Estos operadores deberían eval-

uar su habilidad de operar el equipo con la suficiente seguridad para protegerse a sí mismos y a otros de lesiones.

- Siga las recomendaciones del fabricante respecto a los pesos y contrapesos para llantas.
- Recuerde que el operador es responsable de los accidentes que ocurran a otra gente o propiedad.
- Todos los conductores deberían pedir y obtener instrucciones profesionales y prácticas.
- Siempre use zapatos cerrados y pantalones. Nunca opere la unidad descalzo o usando sandalias.
- Antes de su uso, siempre verifique visualmente que las cuchillas y sus aditamentos estén presentes, intactos y afilados. Reemplace las partes dañadas o desgastadas.
- Desacople los accesorios antes de: cargar combustible, retirar un accesorio, hacer ajustes (a menos de que el ajuste pueda hacerse desde el puesto del operador).
- Cuando la máquina está estacionada, almacenada o se deja sin supervisión, baje los medios de corte a menos de que use una traba mecánica positiva.
- Antes de dejar el puesto del operador por cualquier razón, accione el freno de mano (si viene equipado con uno), desacople las cuchillas (PTO), detenga el motor y quite la llave.
- Para reducir el peligro de incendio, mantenga la unidad libre de césped, hojas y aceite excesivo. No se detenga ni estacione sobre hojas secas, césped o materiales combustibles.
- Usar u operar un motor sobre o cerca de tierras cubiertas de bosques, matorrales o césped es una violación de la Sección 4442 del Código de Recursos Públicos de California a menos que el sistema de escape esté equipado con un parachispas que cumpla con las leyes locales o estatales aplicables. Es posible que otras áreas estatales o federales tengan leyes similares.
- Las regulaciones del OSHA pueden requerir el uso de la protección de oído cuando están expuestas a los niveles de sonido mayor DBA de 85 por un período de 8 horas.

CAUTION



Esta máquina produce niveles de sonido en el exceso de DBA 85 en el oído del operador y puede causar períodos sin embargo prolongados de la pérdida de oído de la exposición.

Protección de oído del desgaste al funcionar esta máquina.

TRANSPORTE Y ALMACENAMIENTO

- Cuando se transporta la unidad sobre un remolque abierto, asegúrese de que mire hacia el frente, en dirección del desplazamiento. Si la unidad está mirando hacia atrás, la fuerza del aire puede dañar la unidad.
- Siempre obedezca las prácticas seguras para cargar combustible y manejar combustible al cargar la unidad con combustible después del transporte o almacenamiento.
- Nunca almacene la unidad (con combustible) en una estructura cerrada con poca ventilación. Los vapores del combustible pueden viajar a una fuente de ignición (como un horno, calentador de agua, etc.) y ocasionar una

explosión. Los vapores del combustible también son tóxicos para los humanos y animales.

- Siempre siga las instrucciones del manual del motor respecto a las preparaciones de almacenamiento antes de almacenar la unidad ya sea por períodos cortos o largos.
- Siempre siga las instrucciones del manual del motor respecto a los procedimientos apropiados de arranque cuando reintegre la unidad al servicio.
- Nunca almacene la unidad ni el contenedor de combustible en un lugar cerrado, donde haya una llama abierta o piloto, como sucede con un calentador de agua. Permita que la unidad se enfríe antes de almacenarla.

OPERACIÓN EN CUESTAS

Las cuestas son un factor importante relacionado con los accidentes por pérdida de control y volcaduras, y pueden propiciar lesiones severas o la muerte. Cualquier operación en cuestas exige precauciones extremas. Si usted no puede dar marcha atrás en una cuesta o se siente inquieto en ella, no opere en ella.

No se puede recuperar el control de una máquina de empujar o montable que se desliza por una cuesta accionando el freno. Las principales razones de pérdida de control son: agarre insuficiente de las llantas en la tierra, velocidad demasiado alta, frenado inadecuado, el tipo de máquina es inadecuada para la labor, falta de conocimiento sobre las condiciones de la tierra, enganche y distribución de la carga incorrectos.

- Pude el césped de la cuesta de un lado a otro, no hacia arriba y abajo.
- Tenga con cuidado con los baches, raíces o topes. Un terreno accidentado puede volcar la unidad. El césped alto puede ocultar obstáculos.
- Opte por una velocidad lenta de modo que no tenga que detenerse o cambiar de velocidad mientras esté en la cuesta.
- No pode césped mojado. Las llantas pueden perder la tracción.
- Nunca pode el césped cuesta abajo.
- Evite arrancar, detenerse o dar la vuelta sobre una cuesta. Si las llantas pierden tracción (es decir, la máquina detiene el movimiento hacia adelante en una cuesta), desacople las cuchillas (PTO) y conduzca lentamente hasta salir de la cuesta.
- Mantenga todos los movimientos en la cuesta lentos y graduales. No haga cambios bruscos de velocidad o dirección, pues esto podría hacer que se vuelque la máquina.
- Extreme precauciones mientras opere máquinas con recolectores de hierba u otros accesorios; éstos pueden afectar la estabilidad de la unidad. No los use en cuestas pronunciadas.
- No intente estabilizar la máquina poniendo el pie en el piso (en unidades montables).
- No pode el césped cerca de barrancos, zanjas o diques. La podadora podría volcarse repentinamente si una llanta cae por la orilla de un acantilado o zanja o si se derrumba una orilla.
- No use los recolectores de hierba en cuestas pronunciadas.
- No pode el césped en cuestas en las cuales no pueda dar marcha atrás.
- Consulte con su distribuidor o concesionario autorizado respecto a recomendaciones sobre pesos o contrapesos para llantas para mejorar la estabilidad.
- Quite obstáculos tales como piedras, ramas de árboles, etc.
- Use la velocidad lenta. Las llantas pueden perder la tracción en las cuestas aun cuando los frenos funcionan debidamente.
- No dé vuelta en una cuesta a menos de que sea necesario, y entonces, gire lenta y gradualmente cuesta arriba, si es posible. Nunca pode el césped cuesta abajo.

EQUIPO REMOLCADO (UNIDADES MONTABLES)

- Solamente remolque aquellas máquinas que tienen un enganche diseñado para remolcar. No enganche el equipo remolcado excepto en el punto del enganche.
- Siga las recomendaciones del fabricante respecto al límite de peso para el equipo remolcado y el declive de remolcado. Vea enganchar un remolque en la sección de OPERACIÓN.

ADVERTENCIA

Nunca opere en cuestas mayores a 17.6 por ciento (10°) lo cual es una inclinación de 3 1/2 pies (106 cm) verticalmente en 20 pies (607 cm) horizontalmente

Opte por una velocidad lenta antes de subir la cuesta. Extreme precauciones al opere en cuestas con un recolector de césped montado en la parte trasera.

Pode el césped de la cuesta de un lado al otro y no hacia arriba hacia abajo, extreme precauciones al cambiar de dirección y **NO ARRANQUE NI SE DETENGA EN LA CUESTA.**

- Nunca permita que los niños u otros se suban o metan al equipo remolcado.
- En las cuestas, el peso del equipo remolcado puede ocasionar pérdida de tracción y pérdida de control.
- Trasládese lentamente y conceda una distancia adicional para frenar.
- No cambie a neutral para deslizarse cuesta abajo.

NIÑOS

Pueden ocurrir accidentes trágicos si el operador no está alerta a la presencia de niños. Los niños con frecuencia se ven atraídos por la unidad y la poda de césped. Nunca suponga que los niños se quedarán donde usted los vio la última vez.

- Mantenga a los niños lejos del área de poda del césped y bajo el cuidado atento de otro adulto responsable.
- Esté alerta y apague la unidad si los niños entran al área.
- Antes y durante la operación en reversa, mire hacia atrás y abajo por si hay niños pequeños.
- Nunca lleve niños, ni siquiera con las cuchillas apagadas. Éstos pueden caerse y salir gravemente heridos o interferir con la operación segura de la unidad. Los niños que recibieron un paseo anteriormente pueden aparecer repentinamente en el área de poda del césped para que les den otro paseo y ser atropellados por la máquina.
- Nunca permita que un niño opere la unidad.
- Extreme precauciones cuando se acerque a esquinas fuera de su ángulo de visión, arbustos, árboles u otros objetos que pueden obstruir la visión.

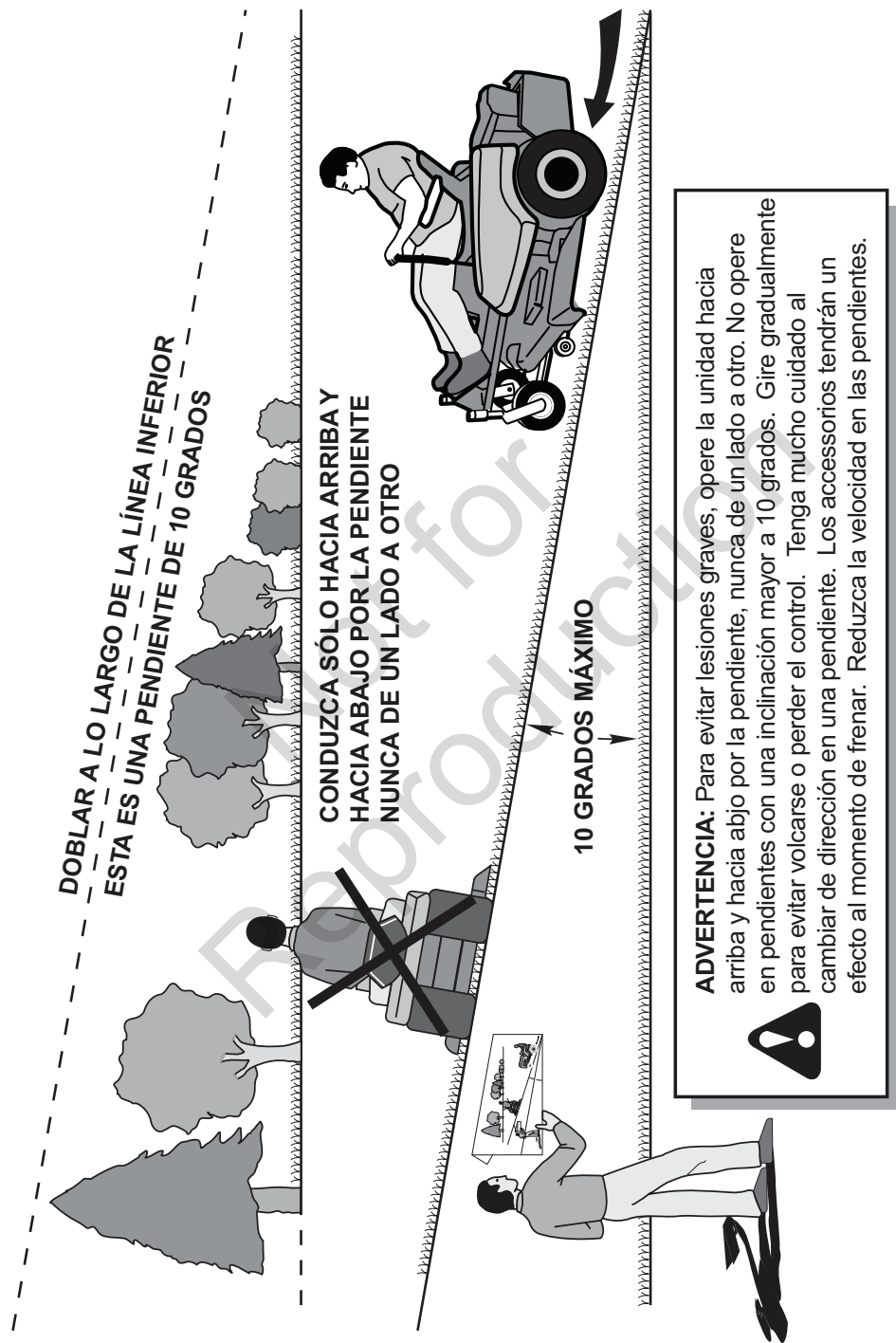
EMISIONES

- Se descubrió que las emisiones del motor de este producto contienen químicos que, en ciertas cantidades, causan cáncer, defectos de nacimiento u otros daños reproductivos.
- Busque la información relevante sobre el Período de Durabilidad de las Emisiones e Índice del Aire en las etiquetas de emisiones del motor.

SISTEMA DE ENCENDIDO

- Este sistema de encendido de la bujía cumple con la norma canadiense ICEA-002.

GUÍA SUGERIDA PARA EL AVISTAMIENTO DE PENDIENTES PARA UNA OPERACIÓN SEGURA DEL MONTABLE CON ACCESORIO



SERVICIO Y MANTENIMIENTO

Manejo Seguro de la Gasolina

- Apague cigarrillos, puros, pipas y otras fuentes de ignición.
- Use sólo los contenedores aprobados para gasolina.
- Nunca quite el tapón de la gasolina ni cargue combustible con el motor encendido. Permita que el motor se enfríe antes de poner combustible.
- Nunca cargue combustible para la máquina en espacios cerrados.
- Nunca almacene la máquina ni el contenedor de combustible donde haya una llama abierta, chispa o piloto, como cerca de un calentador de agua u otro dispositivo.
- Nunca llene los contenedores dentro de un vehículo o en la caja de una camioneta con cobertor de plátano de plástico. Siempre coloque los contenedores en el piso, lejos de su vehículo antes del relleno.
- Retire el equipo accionado por gasolina de la camioneta o remolque y cargue el combustible estando el equipo en el piso. Si esto no es posible, entonces cargue el combustible en el equipo colocado en el remolque con un contenedor portátil, en vez de usar un dispensador de gasolina.
- Mantenga el dispensador en contacto con la orilla del tanque de gasolina o con la abertura del contenedor en todo momento hasta que termine de cargar combustible. No use un dispensador con un dispositivo de cerrado y abierto.
- Si derrama combustible sobre la ropa, cámbiese de ropa de inmediato.
- Nunca llene demasiado el tanque de gasolina. Coloque nuevamente el tapón de la gasolina y apriételo fijamente.
- Extreme precauciones en el manejo de la gasolina y otros combustibles. Son inflamables y los vapores son explosivos.
- Si se derrama combustible, no intente arrancar el motor sino más bien mueva la máquina lejos del área de derrame y evite crear cualquier fuente de ignición hasta que se hayan disipado los vapores del combustible.
- Vuelva a colocar fijamente las tapas del tanque de gasolina y las tapas del contenedor del combustible.

Servicio y Mantenimiento

- Nunca ponga en marcha la unidad en un área cerrada donde se pueden acumular los gases del monóxido de carbono.
- Mantenga apretadas las tuercas y pernos, en especial los pernos de ajuste para las cuchillas, y mantenga el equipo en buenas condiciones.
- Nunca manipule los dispositivos de seguridad. Verifique su operación adecuada con regularidad y asegúrese de hacer las reparaciones necesarias si no funcionan debidamente.
- Mantenga la unidad libre de césped, hojas u otra acumulación de despojos. Limpie derrames de aceite o combustible y quite cualquier despojo impregnado de combustible. Siempre permita que su máquina se enfríe antes de almacenarla.
- Detenga e inspeccione la máquina, si pega contra un objeto. Repare, si es necesario, antes de volver a arrancar.
- Nunca haga ajustes ni reparaciones con el motor encendido.
- Verifique los componentes del recolector de hierba y la guarda de la descarga con frecuencia y reemplácelos con las partes recomendadas por el fabricante, cuando sea necesario.
- Las cuchillas de la podadora están afiladas. Envuelva las cuchillas o utilice guantes, y extreme precauciones cuando les dé mantenimiento.
- Verifique la operación de los frenos con frecuencia. Ajuste y dé mantenimiento según se requiera.
- Mantenga o reemplace las etiquetas de seguridad y de instrucciones según sea necesario.

- No quite el filtro de la gasolina cuando el motor está caliente ya que la gasolina que se derrame se puede incendiar. No extienda las abrazaderas de la tubería del combustible más allá de lo necesario. Asegúrese de que las abrazaderas agarren firmemente la manguera sobre el filtro después de la instalación.
- No use gasolina que contenga METANOL, gasohol con más del 10% de ETANOL, aditivos para gasolina ni gas blanco porque podría ocasionar daños al motor o a la instalación del combustible.
- Si debe drenar el tanque de gasolina, debe hacerlo al aire libre.
- Reemplace los silenciadores/mofles defectuosos.
- Mantenga o reemplace las etiquetas de seguridad y de instrucciones según sea necesario.
- Use sólo las partes de repuesto autorizadas de fábrica al reparar la unidad.
- Siempre acate las especificaciones de fábrica respecto a todas las disposiciones y ajustes.
- Sólo acuda a lugares autorizados de servicio si requiere de servicio y reparaciones mayores.
- Nunca intente hacer reparaciones mayores en esta unidad a menos que tenga la preparación para ello. Los procedimientos inadecuados de mantenimiento pueden ocasionar peligros en la operación, daños al equipo y anulación de la garantía del fabricante.
- En las podadoras con cuchillas múltiples, tenga cuidado ya que hacer girar una cuchilla puede hacer que otras cuchillas también giren.
- No cambie el limitador de velocidad del motor ni acelere demasiado el motor. Operar el motor a una velocidad excesiva puede aumentar los peligros de lesiones a la persona.
- Desacople los accesorios de conducción, detenga el motor, quite la llave y desconecte el cable de la bujía antes de: desatorar obstrucciones en accesorios y tolvas, dar mantenimiento a la unidad, pegarle a un objeto o si la unidad vibra de modo anormal. Después de pegarle a un objeto, inspeccione la máquina para ver si fue dañada y haga las reparaciones antes de volver a arrancar y operar el equipo.
- Nunca coloque sus manos cerca de las partes en movimiento, como el ventilador de enfriamiento de la bomba hidráulica, cuando la unidad está encendida. (Los ventiladores de enfriamiento de las bombas hidráulicas normalmente se encuentran arriba del transeje).
- Las unidades con bombas hidráulicas, mangueras o motores: ADVERTENCIA: El fluido hidráulico que se fuga bajo presión tiene la suficiente fuerza para penetrar la piel y ocasionar lesiones graves. Si se inyecta un fluido extraño bajo la piel, un médico familiar con esta forma de lesión debe sustraerlo quirúrgicamente en el lapso de unas cuantas horas o puede acabar en gangrena. Mantenga el cuerpo y las manos lejos de los orificios de regulación o inyectores que expulsan fluido hidráulico bajo alta presión. Use papel o cartón, y no las manos, para buscar fugas. Asegúrese de que todas las conexiones del fluido hidráulico están fijadas y que todas las mangueras y líneas hidráulicas estén en buenas condiciones antes de ejercer presión sobre el sistema. Si hay fugas, mande la unidad de inmediato a mantenimiento con su distribuidor autorizado.
- ADVERTENCIA: Aparato eléctrico almacenado. El desenganche indebido de resortes puede ocasionar lesiones graves a la persona. Los resortes deben ser quitados por un técnico autorizado.
- Modelos equipados con un radiador para motor: ADVERTENCIA: Aparato eléctrico almacenado. Para evitar lesiones graves al cuerpo por líquido refrigerante caliente o erupción de vapor, nunca intente quitar la tapa del radiador mientras el motor está encendido. Detenga el motor y espere hasta que haya enfriado un poco. Incluso entonces, extreme precauciones al quitar la tapa.

CALCOMANÍAS DE SEGURIDAD Y OPERACIÓN

Esta unidad fue diseñada y fabricada para ofrecerle la seguridad y confiabilidad que usted esperaría de un líder en la industria de la fabricación de equipos motorizados para el exterior.

Aunque leer este manual y las medidas de seguridad que contiene le proporcionará el conocimiento básico necesario para operar este equipo sin percances y eficazmente, hemos colocado varias etiquetas de seguridad en la unidad para recordarle esta importante información mientras usted opera su unidad.

Debe leer cuidadosamente y acatar todos los mensajes de

PELIGRO, ADVERTENCIA, PRECAUCIÓN y de instrucciones en su tractor y podadora. No seguir las instrucciones puede resultar en lesiones personales al cuerpo. ¡La información es para su seguridad y es importante! Las calcomanías de seguridad abajo están sobre su tractor y podadora.

Si pierde o se daña alguna de estas calcomanías, reemplácelas inmediatamente. Póngase en contacto con un Centro de Partes y Servicio de Sears para obtener reposiciones.

Estas etiquetas son fáciles de aplicar y fungirán como constantes recordatorios visuales para usted, y otros que puedan llegar a usar el equipo, para que sigan las medidas de seguridad necesarias para una operación eficaz y sin percances.

Calcomanía - Panel de control
No. de pieza : 7103214YP



Calcomanía - Superficies calientes
No. de pieza : 1734273SM
(Ubicado en costado derecho)



Calcomanía - Peligro de corte
No. de pieza : 1734672SM
(Ubicado en el armazón trasero)



Calcomanía - Desembrague de la transmisión
No. de pieza : 1734532SM
(Ubicado en el armazón trasero)

Calcomanía Ajuste de rastreo
No. de pieza : 1726638SM



Calcomanía - Palanca de velocidad de avance
No. de pieza : 7102576YP



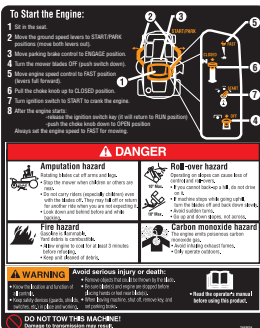
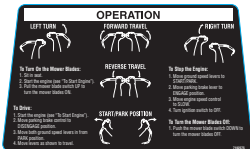
Calcomanía - Ajuste de altura de corte
No. de pieza : 1734276SM



Calcomanía - Peligro de amputación y objetos arrojados
No. de pieza : 1704277SM



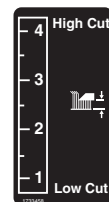
Calcomanía - Operación, superior
No. de pieza : 7102575YP



Calcomanía - Operación, superior
No. de pieza : 7102574YP



Calcomanía - Freno de estacionamiento
No. de pieza : 7102578YP



Calcomanía - Indicador de altura de corte
No. de pieza : 1734335SM



Calcomanía - Peligro de amputación
No. de pieza : 1704276SM



Calcomanía - Palanca de velocidad
No. de pieza : 1734270SM

NÚMEROS DE IDENTIFICACIÓN



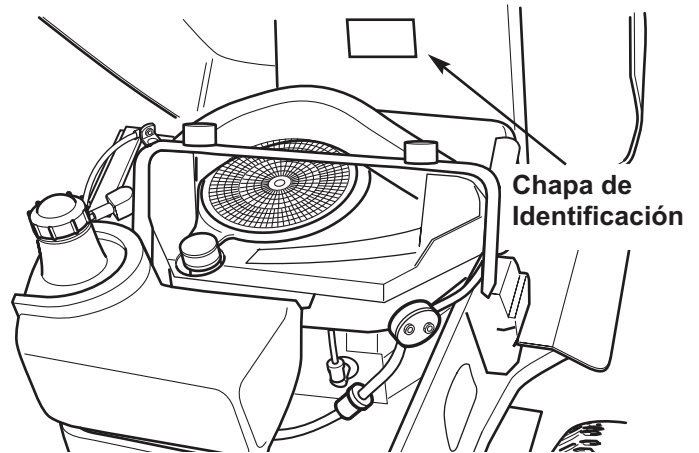
Cuando se ponga en contacto con el centro de servicio para obtener partes de repuesto, servicio o información usted **DEBERÁ** proporcionar estos números.

Anote el nombre/número del modelo, números de identificación del fabricante y los números de serie del motor en el espacio provisto para su fácil acceso.

La chapa de identificación se encuentra en la cara inferior de la cubierta del asiento. Incline la tapa del asiento hacia adelante para ganar acceso a la chapa de identificación.

Para obtener respuestas a sus preguntas sobre el producto, llame al: 1-800-659-5917

Servicio Telefónico de Asistencia de Sears Craftsman, 5 am - 5 pm, Lunes - Sábado.



DATOS DE REFERENCIA DEL PRODUCTO

Nombre/Número de Descripción del Modelo	
Número de INVENTARIO	Número de SERIE de la Unidad
Fecha de Compra	
DATOS DE REFERENCIA DEL MOTOR	
Marca del Motor	Modelo del Motor
Tipo/Espec del Motor	Código/Número de Serie del Motor

ACCESORIOS OPCIONALES

- Recolector de Hierba con Bolsa Gemela
- Faro delantero

CONTENIDO DEL PAQUETE DE LITERATURA

- Llaves
- Instrucciones de Disposición (Inglés/Español)
- Manual del Operador y Libro de Partes (Inglés/Español)

MONTAJE

INSTALACIÓN DEL ASIENTO

1. Levante la base del asiento (vea la Figura 1).
2. Alinee los orificios en la parte de abajo del asiento con los orificios en la base del asiento.

3. Sujete el asiento a la base del asiento con dos tuercas de cabeza dentada de 5/16-18 x 3/4 para los orificios traseros del asiento, y dos tuercas con traba punta de cañonera para las ranuras delanteras.
4. Apriete a 19-25 Nm (14-19 lbs-pies).

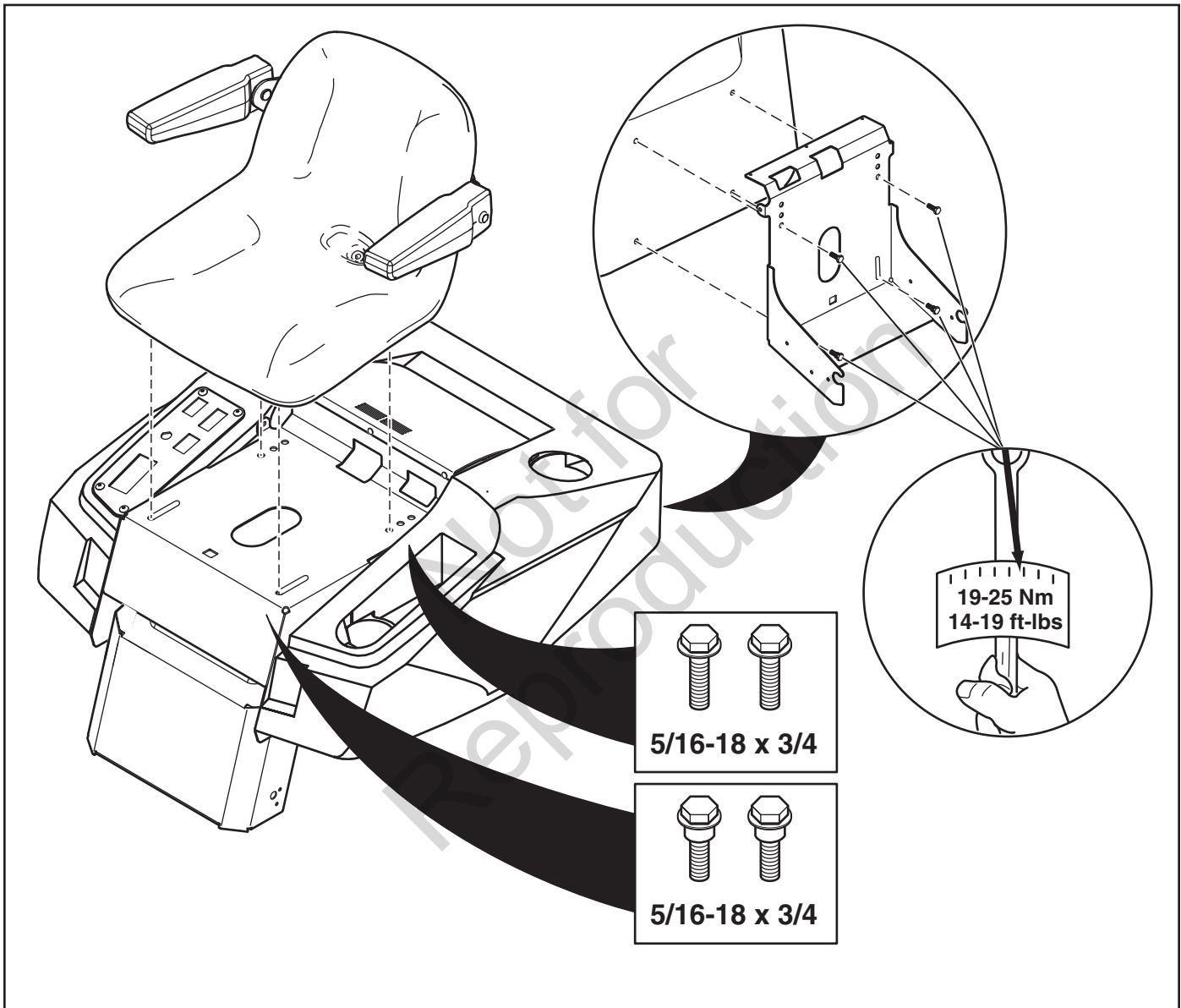


Figura 1. Instalación del asiento

INSTALACIÓN DEL INTERRUPTOR DE SEGURIDAD DEL ASIENTO

1. Apriete los ganchos laterales del interruptor de seguridad (A, Figura 2), e inserte el interruptor en la ranura (B) en la parte baja del asiento. Asegúrese de deslizar el interruptor completamente hacia adelante.
2. Conecte la caja del terminal de cableado (C) al interruptor del asiento.
3. Enrosque la atadura de cable (D) en torno de ambos, el cuerpo del interruptor y la caja del terminal.

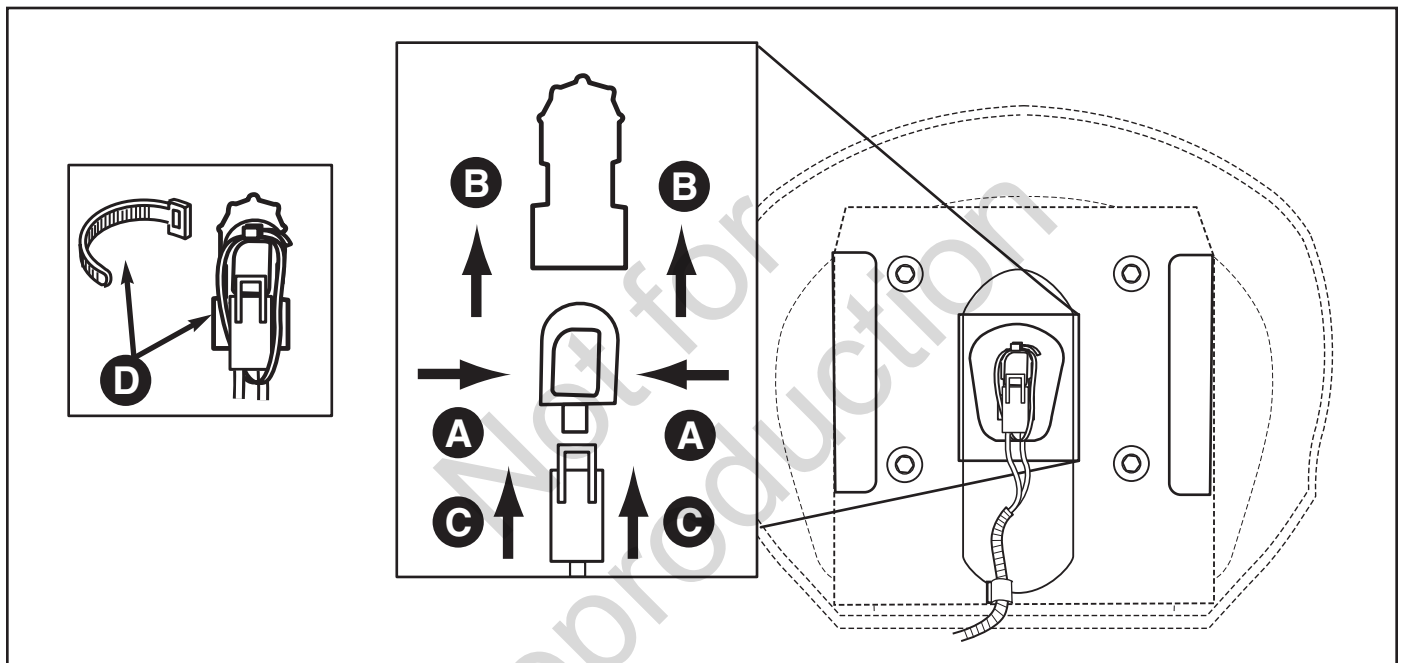


Figura 2. Procedimiento de instalación del interruptor de seguridad del asiento

MONTAJE DE LAS PALANCAS DE CONTROL DE VELOCIDAD DE DESPLAZAMIENTO

1. Afloje (no retire) los herrajes que sujetan a las palancas de control de velocidad de desplazamiento a sus bases (vea la Figura 3).
2. Levante las palancas, alineando el orificio superior en cada palanca con el orificio rasurado superior en la base de palanca.

3. Instale los herrajes como indica la Figura 3. Apriete a 20-23 Nm (15-17 lbs-pies).

NOTA: Se debe ajustar las palancas de control de velocidad de desplazamiento antes de su uso. Consulte la sección "Ajuste de control de velocidad de desplazamiento" sección.

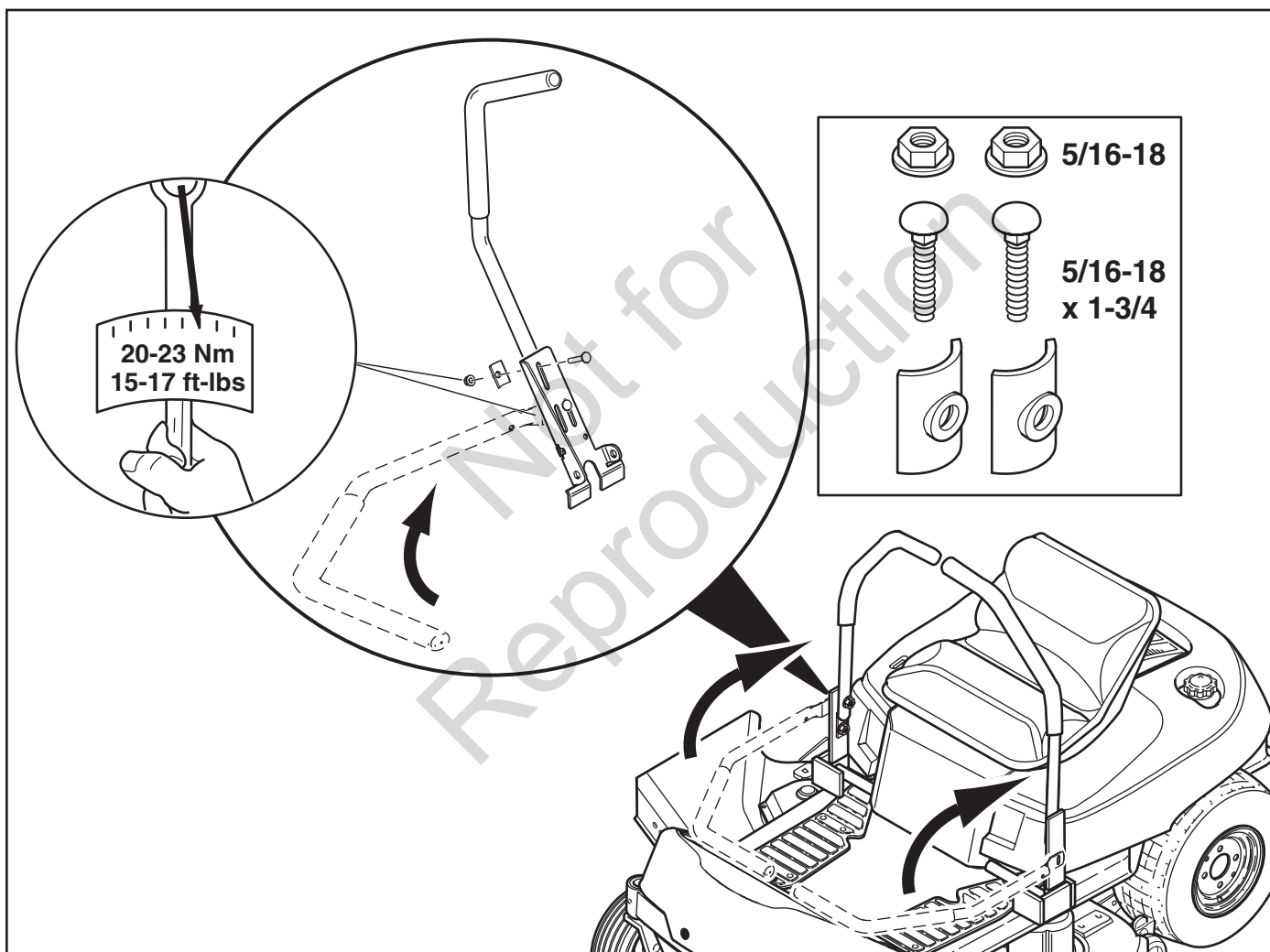


Figura 3. Montaje de las palancas de control de velocidad de desplazamiento

PRE-OPERACIÓN

Retirar los Materiales de Empaque

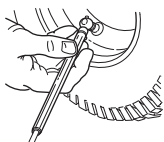


Quite el cartón del cajón de embalaje. Quite el encintado de acero que sujeta la unidad al cajón de embalaje. Ubique el paquete del manual.

Leer el Manual del Operador

Ubique el manual del operador en el paquete del manual. Lea siempre el manual del operador y siga las instrucciones ahí incluidas. En este importante documento hay información sobre el debido cuidado, consejos de rendimiento y seguridad.

Revisar la Presión de las Llantas

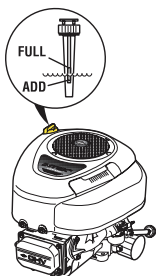


Reduzca la presión de las llantas a la presión mostrada a continuación. Las llantas se inflan demasiado para el embarque y deben ponerse a la presión correcta para que tengan una tracción óptima.

Presión de llanta trasera: 10-12 PSI

Presión de llanta delantera: 18-20 PSI

Revisar el Nivel de Aceite del Motor



Nota: El motor es enviado con aceite. Agregue aceite para motor 10W-30 premium si el nivel de aceite es bajo. Vea MANTENIMIENTO para obtener las especificaciones y requisitos de mantenimiento completos para el aceite de motor.

Levante el asiento (Figura 17) para ganar acceso al compartimiento del motor.

Limpie la zona alrededor de la varilla medidora de aceite y del tubo para llenado de aceite.

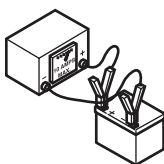
Quite la varilla medidora de aceite del tubo para llenado de aceite y limpie la varilla con un trapo limpio.

Introduzca la varilla medidora de aceite en el tubo para llenado de aceite (gire y empuje hasta abajo).

Sáquela y revise el nivel de aceite del motor. El nivel de aceite debe estar entre las marcas Full (lleno) y Add (agregar). De ser necesario, agregue aceite por el tubo para llenado de aceite.

Vuelva a poner la varilla medidora de aceite y fíjela.

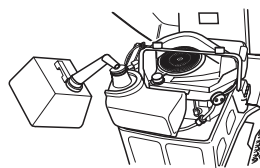
Cargar la Batería



Levante el asiento para ganar acceso a la batería. Si la unidad se envía a servicio después del mes y año indicados en la fecha señalada en la batería (en la parte superior de la misma), cargue la batería por una hora a 6-10 amps.

Consulte la sección SERVICIO Y AJUSTES de este manual respecto a la información de carga de la batería.

Llenar con Gasolina FRESCA



Levante el asiento para ganar acceso al tapón de la gasolina y al tanque.

Quite el tapón del tanque y llene el tanque con combustible fresco.

Después de llenar el tanque,

instale fijamente el tapón y limpie el combustible derramado. Vea el Manual del operador para obtener las recomendaciones para el combustible.

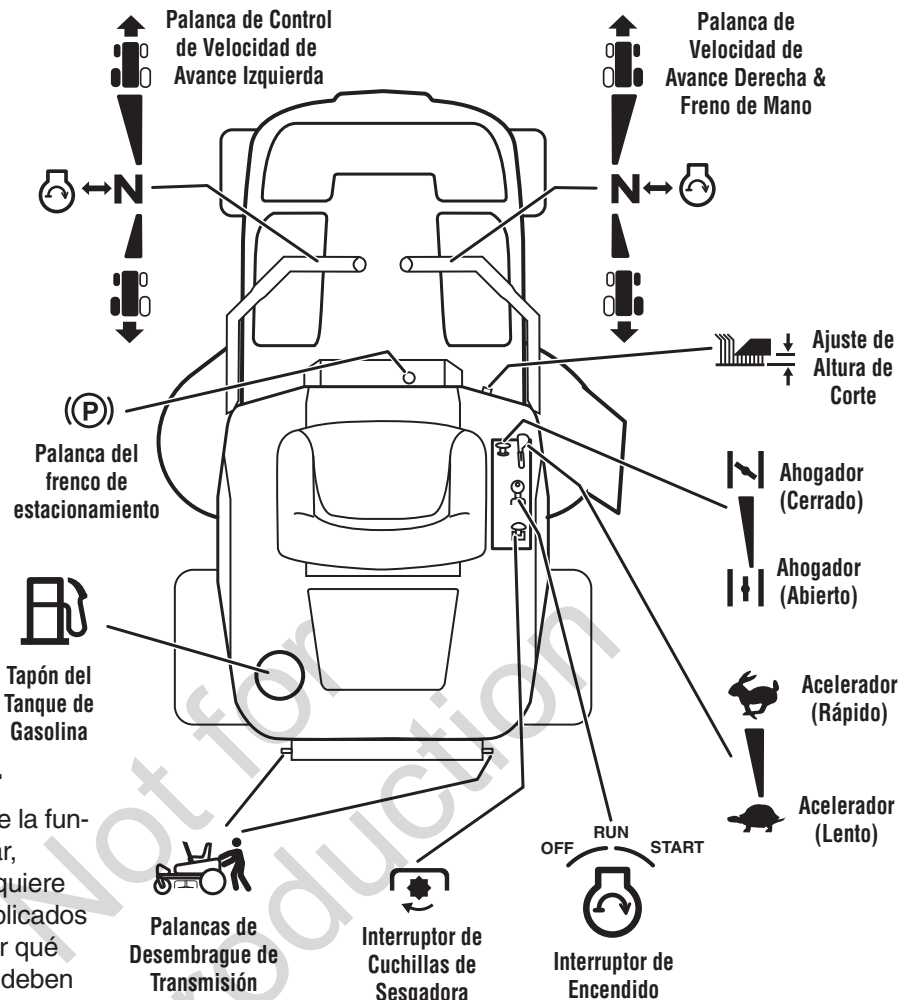
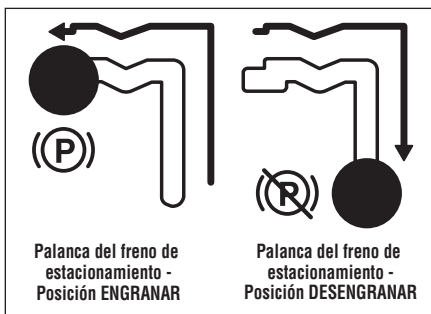
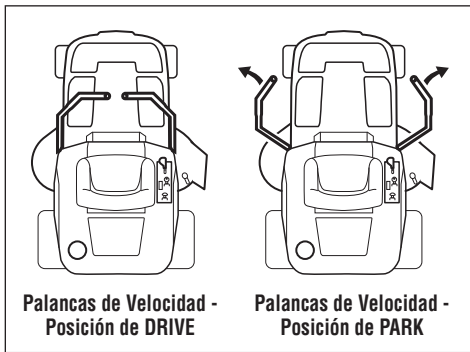
El problema más común en las reparaciones es el combustible viciado o contaminado. El combustible no debe tener más de 30 días. Use un estabilizador de combustible para extender la vida de su combustible y siempre almacene el combustible en un envase plástico aprobado y sellado para gasolina. La limpieza interior por combustible viciado no está amparada por su garantía.

Capacidad del Tanque de Combustible: 15,14 L (4.0 galones)

Arrancar el Motor y Conducir la Unidad Fuera del Cajón de Embalaje

Consulte las secciones ARRANCAR EL MOTOR y PRÁCTICA DE MANEJO de este manual para obtener información sobre arrancar la unidad y conducirla fuera del cajón de embalaje.

OPERACIÓN



FUNCIONES DE CONTROL

La información abajo describe brevemente la función de los controles individuales. Arrancar, detenerse, conducir y podar el césped requiere del uso combinado de varios controles aplicados en secuencias específicas. Para aprender qué combinaciones y secuencia de controles deben usarse para diversas tareas le rogamos que lea la sección completa.

Palancas de Velocidad de Avance

Estas palancas controlan la velocidad de avance y el freno de mano del montable. La palanca izquierda controla la rueda de tracción trasera izquierda y la palanca derecha controla la rueda de tracción trasera derecha y el freno de mano.

Empujar las palancas hacia afuera hacia los costados, lejos del regazo del operador, fije el freno de mano en PARK (estacionar) (diagrama pequeño, Figura 4). Ésta es la posición indicada para arrancar el montable. Jalar las palancas hacia adentro, encima del regazo del operador, las pone en posición de DRIVE (avance).

Desde la posición de DRIVE (avance), mover la palanca hacia adelante aumenta la velocidad HACIA ADELANTE de la llanta asociada. Jalar la palanca hacia atrás aumenta la velocidad de REVERSA. Entre más se empuje una palanca, más rápido girará la rueda de tracción.

Consulte la sección PRÁCTICA DE MANEJO para obtener instrucciones de direccionamiento.

Palanca del freno de estacionamiento

Mueva la palanca del freno de estacionamiento (encarte inferior, Figura 4) para arriba y hacia el costado, y hacia adentro de la muesca de trabamiento para engranar y trabar el freno de estacionamiento. Mueva la palanca del freno de estacionamiento hacia el costado y hacia abajo para desengranar el freno de estacionamiento. El motor no arrancará si el freno de estacionamiento está engranado.

NOTA: Se debe desengranar el freno de estacionamiento antes de operar las palancas de velocidad de desplazamiento.

Control de Velocidad del Motor

El control de velocidad del motor ajusta la velocidad del motor. Coloque siempre la velocidad del motor en FAST (rápido) para conducir o podar el césped. Mueva el control de velocidad del motor de regreso a SLOW (lento) para disminuir la velocidad del mismo. NUNCA active las cuchillas de la sesgadora con la velocidad del motor en SLOW (lento). Sólo active las cuchillas de la sesgadora con la velocidad del motor en FAST (rápido).

Figura 4. Controles

Ahogador

CIERRE el ahogador para arrancar en frío (jale la perilla hacia arriba). ABRA el ahogador una vez que el motor arranque (empuje la perilla hasta adentro). Si el motor está caliente, es posible que no requiera el ahogador. En este caso, coloque el ahogador en OPEN (abierto) (empuje la perilla hasta adentro) mientras da marcha al motor. En la mayoría de los casos, será necesario que cierre el ahogador para poder arrancar el motor.

Ajuste de Altura de Corte de la Sesgadora

Para aumentar la altura de corte de la sesgadora (elevar la cubierta de la sesgadora), oprima la parte superior del ajuste de altura de corte amarillo de la sesgadora. Para disminuir la altura de corte de la sesgadora (bajar la cubierta de la sesgadora), oprima la parte inferior del ajuste. El rango de la altura de corte de la sesgadora es 9,5 a 3,8 cm (3-3/4" a 1-1/2"). El indicador de altura de corte indica la posición de la cubierta de la sesgadora. El indicador de altura de corte se encuentra en la parte frontal del montable, justo detrás de la pierna izquierda del conductor.

Interruptor de Encendido

El interruptor de encendido arranca y detiene el motor; tiene tres posiciones:

OFF (apagado) - Detiene el motor y corta el sistema eléctrico.

RUN (activo) - Permite que el motor corra y suministra energía al sistema eléctrico.

START (arrancar) - Mueve el motor para que arranque.

NOTA: Nunca deje el interruptor de encendido en la posición de RUN con el motor detenido. Esto drena la batería.

Interruptor de Cuchillas de la Sesgadora

El interruptor de cuchillas de la sesgadora amarillo activa y desactiva las cuchillas de la sesgadora. Para activar las cuchillas de la sesgadora, jale el interruptor hacia arriba. Para desactivar las cuchillas de la sesgadora, empuje el interruptor hacia abajo. Coloque siempre el control de velocidad del motor en FAST (rápido) antes de activar las cuchillas de la sesgadora, y mientras poda el césped.

Palancas de Desembrague de Transmisión

Las palancas de desembrague de la transmisión desactivan las transmisiones para que la unidad pueda empujarse manualmente. Vea EMPUJAR LA UNIDAD MANUALMENTE respecto a la información operacional.

Tanque de Gasolina

Para quitar el tapón, gire a la izquierda.

SEGURIDAD GENERAL DE OPERACIÓN

Antes de la primera operación:

- Asegúrese de leer toda la información en las secciones de Seguridad y Operación antes de intentar operar el tractor o la podadora.
- Familiarícese con todos los controles y cómo detener la unidad.
- Conduzca en un área abierta sin podar el césped para acostumbrarse a conducir la unidad.

ADVERTENCIA

Si usted no entiende cómo funciona un control específico, o no ha leído con detenimiento la sección de FUNCIONES DE CONTROL, hágalo ahora. NO intente operar el tractor sin antes familiarizarse con la ubicación y la función de TODOS los controles.

VERIFICACIONES ANTES DE ARRANCAR

- Verifique que el aceite del cárter esté en la marca de lleno de la varilla de nivel de aceite.
- Llene el tanque de gasolina con combustible fresco.

RECOMENDACIONES DE COMBUSTIBLE

Para operación diaria: Use sólo gasolina sin plomo donde la calcomanía de la bomba indique un octanaje de 87 o mayor. El gasohol (hasta 10% de alcohol etílico, 90% de gasolina sin plomo por volumen) está aprobado como combustible. El Metilbutil Éter (MTBE, por sus siglas en inglés) y las mezclas de gasolina sin plomo (hasta un máximo de 15% MTBE por volumen) están aprobados como combustible. Ninguna otra mezcla de gasolina/alcohol o gasolina/éter está aprobada. No use aditivos para gasolina excepto el estabilizador de combustible.

Para almacenamiento: PRECAUCIÓN: Los combustibles mezclados con alcohol (llamados gasohol o usando etanol o metanol) puede atraer humedad que lleva a la separación y formación de ácidos durante el almacenamiento. El gas ácido puede dañar la instalación de combustible de un motor mientras está en almacenamiento.

Para no tener problemas con el motor, use "estabilizador de gasolina", especialmente si la gasolina ha estado guardada más de 30 días. Vea las instrucciones de ALMACENAMIENTO para obtener información adicional.

Nunca use productos de limpieza para motores o carburadores en el tanque de gasolina o pueden ocurrir daños permanentes. Para agregar combustible:

1. Quite el tapón de la gasolina (A, Figura 5).
2. Llene el tanque. No llene demasiado. Deje espacio en el tanque para la expansión del combustible.
3. Instale y apriete manualmente el tapón de la gasolina.

! ADVERTENCIA

Nunca permita que pasajeros se paseen en la unidad.

Antes de dejar el puesto del operador por cualquier razón, accione el freno de mano, desacople el PTO, detenga el motor y quite la llave.

Para reducir el peligro de un incendio, mantenga el motor, el tractor y la podadora libre de césped, hojas y aceite excesivo. No detenga ni estacione el tractor sobre hojas secas, césped o materiales combustibles.

La gasolina es altamente inflamable y debe manejarse con cuidado. Nunca llene el tanque cuando el motor todavía está caliente por la reciente operación. No permita que nadie se acerque con llamas abiertas, cigarrillos o cerillos al área. Evite llenar demasiado y quite lo derramado con un trapo.

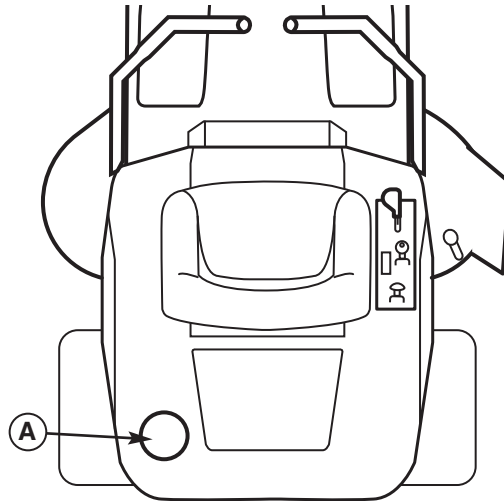


Figura 5. Verificaciones Previas al Arranque
A. Tapón del Tanque de Gasolina

! ADVERTENCIA

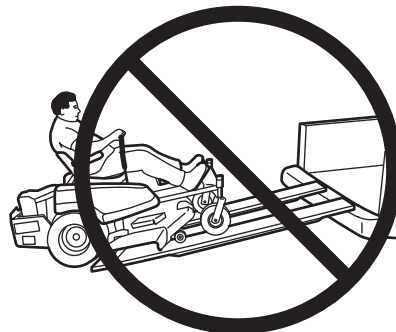
Nunca opere en cuestas mayores a 17.6 por ciento (10°) lo cual es una inclinación de 3-1/2 pies (106 cm) verticalmente en 20 pies (607 cm) horizontalmente.

Seleccione la velocidad lenta antes de conducir cuesta arriba. Sea extremadamente precavido al operar en cuestas con un recolector de hierba montado en la parte trasera.

Puede el césped de la cuesta de un lado a otro, no hacia arriba y abajo. Sea precavido al cambiar de dirección y **NO ARRANQUE NI SE DETENGA EN UNA CUESTA.**

! ADVERTENCIA - REMOLQUES

No cargue este tractor de giro cero en un remolque o camioneta usando dos rampas separadas. Sólo use una sola rampa que por lo menos sea un pie más ancho que las llantas de la parte trasera de este tractor. Este tractor tiene un radio de giro cero y las llantas pueden caer de las rampas, o el tractor puede volcarse lesionando al operador o a los espectadores.



PARO DE EMERGENCIA

En caso de emergencia, el motor puede detenerse simplemente girando el interruptor de encendido a STOP (paro). Use este método sólo en situaciones de emergencia. Para apagar el motor normalmente, siga el procedimiento indicado en DETENER EL MONTABLE Y EL MOTOR.

DETENER EL MONTABLE Y EL MOTOR

1. Regrese las palancas de control de la velocidad de avance a la posición de START/PARK (arrancar) para detener el avance del montable y ponga el freno de mano.
2. Engranar el freno de estacionamiento.
3. Desactive las cuchillas de la segadora empujando el interruptor de cuchillas de la segadora hacia abajo a la posición de OFF (apagado).
4. Mueva el control de velocidad del motor a la posición de SLOW (lento) y gire la llave de encendido a OFF (apagado). Quite la llave.

ARRANCAR EL MOTOR

1. Estando sentado en el asiento, asegúrese de que el interruptor de cuchillas de la segadora esté DESACTIVADO y que las palancas del control de velocidad de avance estén fijadas en posición de START/PARK (arrancar).
2. Mueva el control de velocidad del motor completamente hacia adelante a FAST (rápido). Coloque el control del ahogador en CLOSED (cerrado) (jale la perilla hacia ARRIBA).

NOTA: Si el motor está caliente, es posible que no requiera el ahogador. En este caso, ponga al control de ahogador en OPEN (abierto) (empuje la perilla hasta adentro).

3. Introduzca la llave en el interruptor de encendido y gírela a START (arrancar) para dar marcha al motor.
4. Después de que arranque el motor, suelte la llave. Ésta regresará a la posición de RUN (activo). Gradualmente empuje la perilla del ahogador hasta adentro a la posición de OPEN (abierto). Caliente el motor dejándolo correr al menos un minuto antes de activar las cuchillas de la segadora o de conducir la unidad.

Opere la unidad SIEMPRE con el control de velocidad del motor en FAST (rápido) cuando pade el césped o conduzca. NUNCA active las cuchillas de la segadora con la velocidad del motor en SLOW (lento).

PODAR EL CÉSPED

1. Arranque el motor (consulte ARRANCAR EL MOTOR).
2. Ajuste la altura de corte de la segadora a la altura deseada usando el ajuste de altura de corte de la segadora.
3. Coloque el control de velocidad del motor en FAST (rápido).
4. Active las cuchillas de la segadora (jale el ajusta hacia arriba).
5. Desengranar el freno de estacionamiento
6. Mueva las palancas del control de velocidad de avance de la posición de START/PARK (arrancar) a la posición de DRIVE (avance) (las palancas hacia adentro sobre el regazo del operador).
7. Empiece a podar el césped (consulte PRÁCTICA DE MANEJO).

8. Cuando termine, desactive las cuchillas de la segadora (empuje el interruptor hacia abajo).
9. Detenga el montable y el motor (consulte DETENER EL MONTABLE Y EL MOTOR).

EMPUJAR EL MONTABLE MANUALMENTE

NOTA: No desengranar la transmisión si está parqueado en una cuesta

1. Desactive las cuchillas de la segadora, empuje las palancas de control de velocidad de avance a la posición de START/PARK (arrancar), gire el interruptor de encendido para apagar el motor, quite la llave y espere hasta que todas las piezas móviles se detengan.
2. Ubique las palancas de desembrague de la transmisión (C, Figura 6) en la parte trasera de la unidad.
3. Jale las dos palancas hacia atrás y hacia abajo para desembragar las transmisiones (posición B, Figura 6).
4. Jale las palancas del control de velocidad de avance a la posición de DRIVE (avance). Ahora puede empujar el montable manualmente.
5. Después de mover el montable, coloque las palancas de control de velocidad de avance en START/PARK (arrancar), engranar el freno de estacionamiento, y empuje las dos palancas de desembrague de la transmisión hacia adelante para volver a embragar las transmisiones (posición A, Figura 6).



NO REMOLQUE EL TRACTOR

Remolcar la unidad dañará la transmisión. No use otro vehículo para empujar o jalar la unidad.

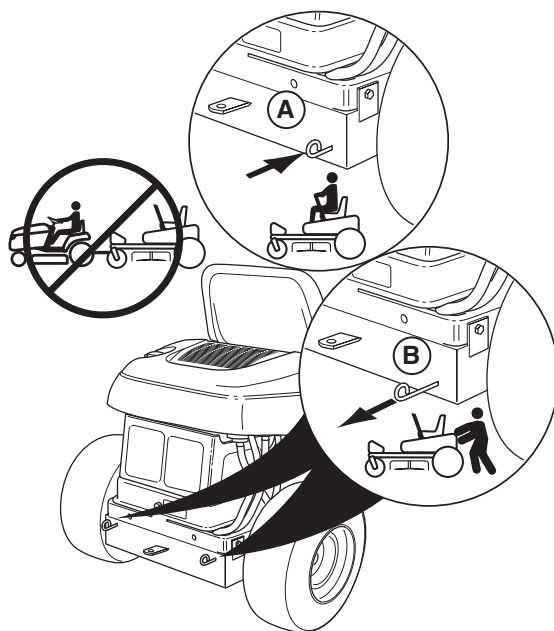


Figura 6. Palanca de Desembrague de la Banda
A. Posición de Drive
B. Posición de Empujar

PRÁCTICA DE MANEJO - MANEJO BÁSICO

ADVERTENCIA: Nunca opere en cuestas mayores a 17.6% (10°). Vea OPERACIÓN EN CUESTAS en la sección de seguridad. Los tractores de giro cero operan de modo diferente a otros vehículos de cuatro ruedas. Las ruedas de tracción también son sus ruedas de dirección. Si usted no puede conducir la unidad en una colina, usted no podrá dirigir la unidad en ella. Operar unidades de giro cero en cuestas requiere de precauciones extremas.

Los controles de palanca del tractor de giro cero son muy sensibles, y aprender a dominar los movimientos de avance, reversa y vuelta del tractor con eficiencia y sin problemas requiere práctica.

Dedique algo de tiempo probando las siguientes maniobras y para familiarizarse con cómo acelera, se traslada y dirige la unidad - antes de empezar a podar del césped - es absolutamente esencial para sacarle el mayor provecho al tractor de giro cero.

Encuentre un área lisa y plana en su jardín — un área con mucho espacio para maniobrar. (Antes de empezar quite del área cualquier objeto, gente y animales.) Opere la unidad a media aceleración durante esta sesión de práctica (SIEMPRE opere con el acelerador en FULL al podar el césped), y gire lentamente para evitar que derrapen las llantas y se dañe su jardín.

Le sugerimos que empiece con el procedimiento de traslado sin problemas a la derecha, y luego siga con las maniobras de avance, reversa y vuelta.

Usted debe poner el freno de mano en DRIVE antes de mover las palancas de control fuera de la posición de PARK.

! ADVERTENCIA

No puede el césped en reversa a menos que sea absolutamente necesario. Siempre mire hacia abajo y hacia atrás antes de echarse en reversa y mientras lo hace.

Manejo Hacia Adelante

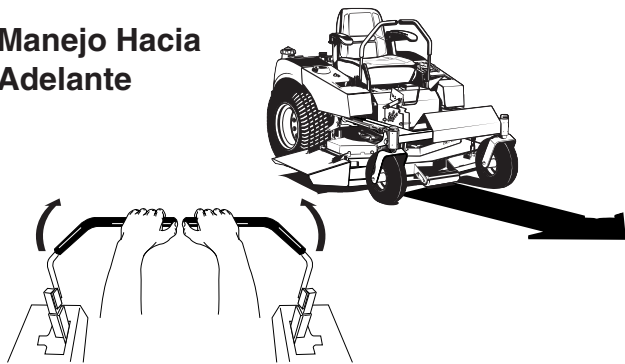


Figura 8. Manejo Hacia Adelante

Traslado sin problemas

Los controles de palanca del tractor de giro cero son altamente sensibles.

El MEJOR método de manejar las palancas del control de velocidad es en tres pasos - como se muestra en la Figura 7.

PRIMERO coloque sus manos en las palancas como se muestra.

SEGUNDO, para avanzar empuje gradualmente la palanca hacia adelante con sus palmas.

TERCERO, para acelerar mueva las palancas más hacia adelante. Para bajar suavemente la velocidad, mueva las palancas lentamente hacia atrás en dirección de neutral.

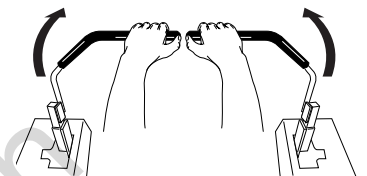
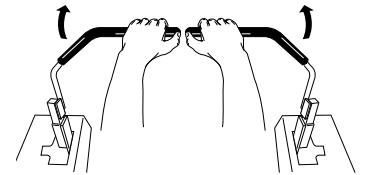
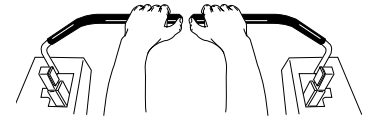


Figura 7. Mover las Palancas de Control Gradualmente

Práctica en el Manejo Hacia Adelante

Gradualmente mueva las dos palancas del control de velocidad HACIA ADELANTE de modo uniforme lejos del neutral (vea la Figura 8). Desacelere y repita.

Práctica en el Manejo en Reversa

MIRE HACIA ATRÁS Y ABAJO, luego mueva gradualmente las dos palancas del control de velocidad HACIA ATRÁS de modo uniforme lejos del neutral (vea la Figura 9). Desacelere y repita.

NOTA: Practique echarse en reversa durante varios minutos antes de intentar hacerlo cerca de algún objeto. El tractor gira tan abruptamente en reversa como cuando va hacia adelante, y andar en reversa en línea recta requiere de práctica.

Manejo en Reversa

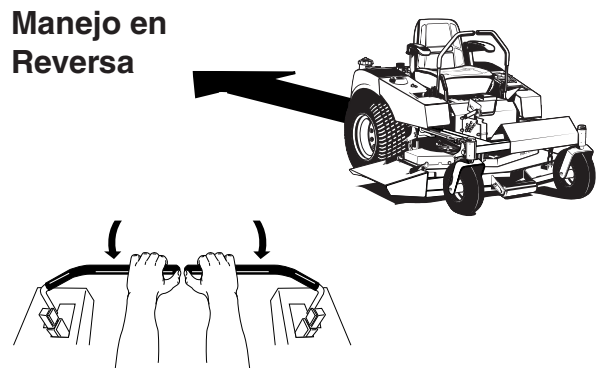


Figura 9. Manejo en Reversa

Práctica de dar Vuelta en una Esquina

Mientras viaja hacia adelante permita que una palanca regrese gradualmente en dirección del neutral (vea la Figura 10). Practique varias veces antes de podar el césped.

NOTA: Para evitar girar directamente sobre la banda de rodamiento, es mejor mantener las dos ruedas en marcha hacia adelante aunque sea ligeramente.

Ejecutar Vueltas

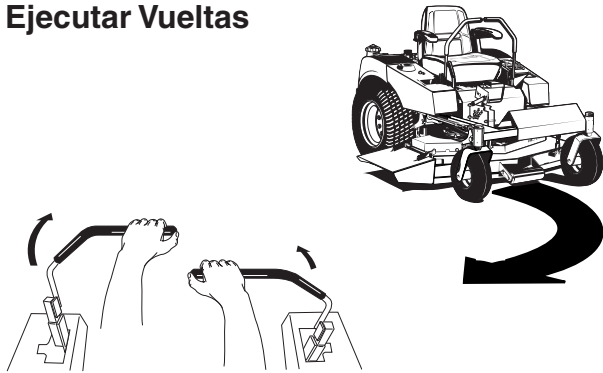


Figura 10. Vuelta a la Derecha

Práctica de Vuelta en el Lugar

Hacer un "giro cero" significa girar en el mismo lugar. Para dar la vuelta en el mismo lugar, gradualmente mueva la palanca de control de velocidad hacia adelante de neutral y una palanca hacia atrás del neutral simultáneamente (vea la Figura 11). Repita varias veces.

Vuelta en el Mismo Lugar



Figura 11. Vuelta en el Mismo Lugar

MANEJO AVANZADO

Ejecutar un Giro Cero al Final de la Fila

La habilidad única de su tractor de giro cero de dar vuelta en su lugar le permite dar la vuelta al final de una fila de corte en vez de tener que detenerse y hacer una vuelta en U antes de iniciar con la siguiente fila.

Por ejemplo, para ejecutar un giro cero de final de fila a la derecha:

1. Desacelere al final de la fila.
2. Mueva la palanca de control velocidad IZQUIERDA ligeramente hacia adelante mientras que mueve la palanca de control velocidad DERECHA de regreso al centro y luego ligeramente de regreso del centro (vea la Figura 12). Asegúrese de que ambas ruedas se muevan para evitar daños al césped.
3. Empiece de nuevo a podar el césped hacia adelante.

Esta técnica gira el tractor a la DERECHA y se traslapa ligeramente con la fila recién cortada - eliminando la necesidad de regresar y cortar de nuevo el césped omitido.

A medida que se familiarice más y tenga experiencia con la operación del tractor de giro cero, usted aprenderá más maniobras que le harán más fácil y agradable el podado del césped.

¡Recuerde que entre más practique, mejor controlará el tractor!

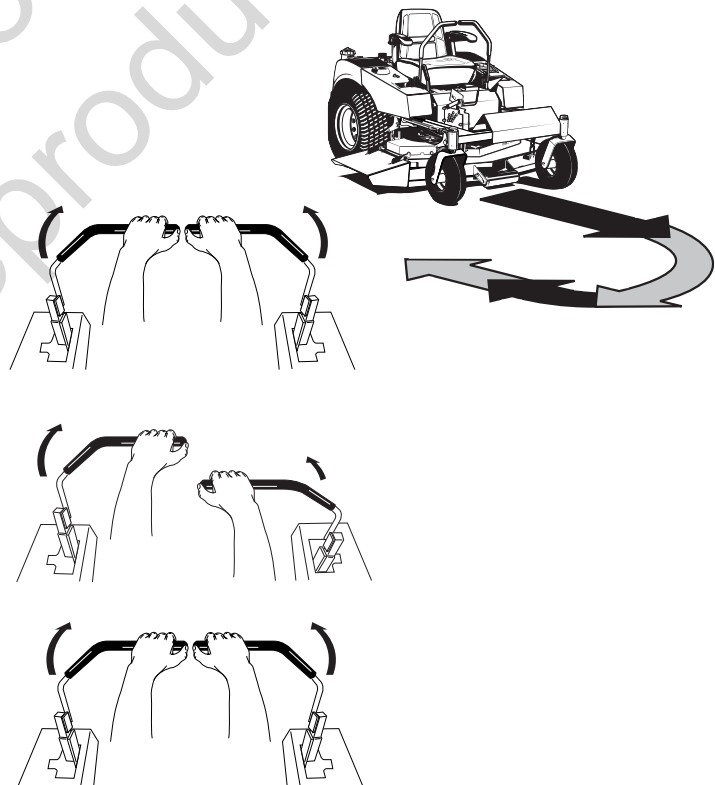


Figura 12. Ejecutar una Vuelta al Final de la Fila

REMOCIÓN E INSTALACIÓN DE LA CUBIERTA DE LA SESGADORA

NOTA: Ejecute la remoción e instalación de la sesgadora sobre una superficie dura y nivelada como un piso de concreto.

! ADVERTENCIA

Después de bajar la altura de corte de la sesgadora, accione el freno de mano, desactive las cuchillas de la sesgadora, gire el interruptor de encendido a STOP y quite la llave antes de intentar instalar o retirar la sesgadora.

RETIRAR LA PLATAFORMA DEL CORTACÉSPED

1. APAGUE las cuchillas del cortacésped, sitúe las palancas de control de avance en sus posiciones ENCENDIDO/ESTACIONAR, ponga el interruptor de encendido en APAGADO y espere a que todas las partes móviles se detengan.
2. Gire las ruedas delanteras hacia delante.
3. Inserte el trinquete en el orificio cuadrado de 9,5 mm (3/8 pulg.) del brazo de polea tensora (A, Figura 13) y tire para liberar la tensión de la correa. Retire la correa del cortacésped (B) de la polea del motor de transmisión (C).
4. Gire el interruptor de encendido (desde la posición APAGADO) hasta la posición MARCHA sin poner el motor en marcha.
5. Utilice el ajuste de altura de corte del cortacésped para levantar la plataforma del cortacésped.
6. Sitúe bloque de madera de 4x4 bajo el reborde frontal y posterior de la plataforma del cortacésped para que éste quede firmemente apoyado.
7. Utilice el ajuste de altura de corte del cortacésped para hacer bajar por completo el cortacésped, de forma que descansa sobre los bloques de madera de 4x4.
8. Gire el interruptor de encendido hasta la posición APAGADO y retire la llave.
9. Retire el clip de la horquilla (A, Figura 14) que fija el brazo elevador posterior del cortacésped. Separe el brazo elevador de la plataforma del cortacésped. Repita el proceso en ambos lados del cortacésped.
10. Retire el clip de horquilla (B) que fija la barra de enganche delantera (C). Separe la barra de enganche delantera de la plataforma del cortacésped. Repita el proceso en ambos lados del cortacésped.
11. Haga deslizar la plataforma del cortacésped para extraerla de debajo del cabalgador.

INSTALAR LA PLATAFORMA DEL CORTACÉSPED

1. Haga deslizar la plataforma del cortacésped por debajo del lado derecho del cortacésped. Haga deslizar el cortacésped hacia delante y enganche la barra de enganche frontal (C, Figura 14) a los ganchos frontales.
2. Monte las barras de enganche frontales y fíjelas con los clips de horquilla (B).
3. Haga deslizar la plataforma del cortacésped hacia atrás y conecte los brazos elevadores posteriores a la plataforma del cortacésped. Fíjela con los clips de horquilla (A).
4. Introduzca la llave en el interruptor de encendido. Gire el interruptor (desde la posición APAGADO) hasta la posición MARCHA sin poner el motor en marcha.

5. Utilice el ajuste de altura de corte para alzar el cortacésped hasta que deje de descansar en los bloques de madera de 4x4.
6. Gire el interruptor de encendido a la posición APAGADO y retire la llave. Retire los bloques de madera de 4x4.
7. Inserte el trinquete en el orificio cuadrado de 9,5 mm (3/8 pulg.) del brazo de polea tensora (A, Figura 13) y tire para liberar la tensión de la correa. Instale la correa del cortacésped (B) en la forma que se muestra en la Figura 13.

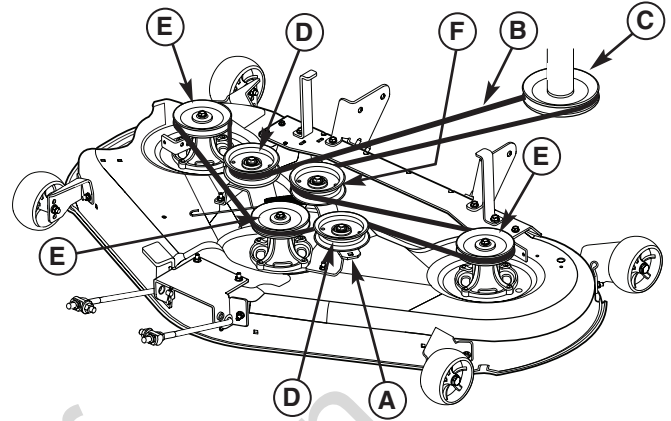


Figura 13. Dirección de la correa del cortacésped

- A. Brazo de la polea tensora**
- B. Correa del cortacésped**
- C. Polea del motor de transmisión**
- D. Polea tensora fijada (2)**
- E. Polea de mandril de la transmisión (3)**
- F. Polea más ociosa ajustable de tensión**

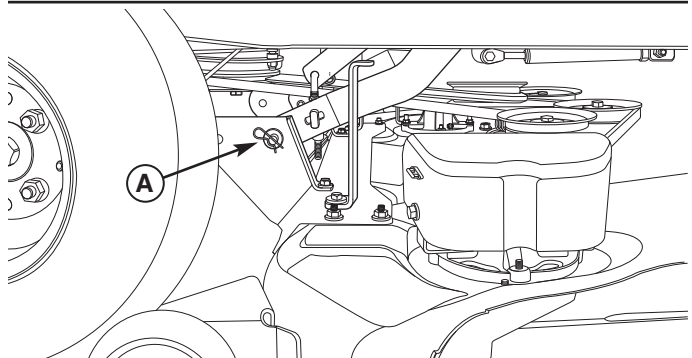
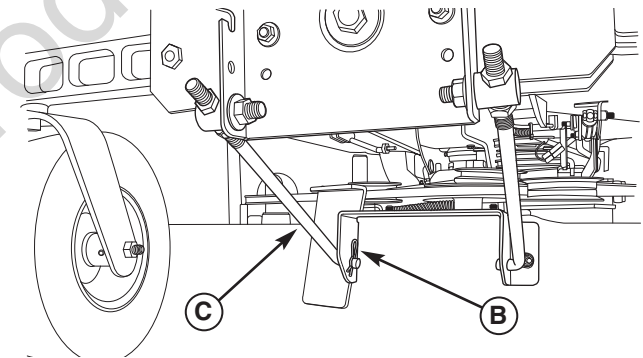


Figura 14. Componentes de enganche del cortacésped

- A. Clip de horquilla posterior**
- B. Clip de horquilla frontal**
- C. Barra de enganche delantera**

MANTENIMIENTO

PROGRAMA DE MANTENIMIENTO

El siguiente programa debe seguirse para el cuidado normal de su tractor y podadora.

MANTENIMIENTO DEL MONTABLE, de todos los modelos	Antes de cada uso	Primavera y Verano	8 Horas	25 Horas	100 Horas	200 Horas	Anual mente
Limpiar el residuo del montable y del compartimiento del motor *	•						
Limpiar el residuo de las áreas de refrigeración del motor y del filtro de aire *	•						
Verifique la presión de las llantas				•			
Lubrique el montable y la segadora *				•			
Limpiar la base y verifique/reemplace las cuchillas de la segadora				•			
Limpiar la batería y los cables					•		
Verifique el sistema de seguridad del montable **		•			•		•
Verifique / ajuste el embrague PTO						•	

MANTENIMIENTO DEL MOTOR 26HP Kohler	8 Horas o Diariamente	25 Horas o 2 Meses	100 Horas o Anualmente	200 Horas o 2 Años	200 Horas	500 Horas
Verifique el nivel de aceite del motor *	•					
Dele servicio al filtro de aire *		•				
Cambie el aceite y el filtro *			•			
Remueva la cubierta, limpie las aletas de refrigeración *			•			
Reemplace el filtro del combustible †			•			
Verifique y ajuste / Reemplace la bujía de encendido				•		•
Dele servicio al propulsor del arrancador, verifique y ajuste la holgura de la válvula †					•	

* Más frecuentemente en climas con temperaturas altas (más de 85° F: 30° C) o funcionamiento en condiciones polvorientas.

** Verifique el funcionamiento del sistema de seguridad cuando la unidad haya estado almacenada por 30 días o un período mayor.

† Estos servicios deberán ser efectuados por Sears u otro taller de servicio calificado.

Elementos de Mantenimiento del Tractor

⚠️ ADVERTENCIA

Mueva las palancas de velocidad de desplazamiento a las posiciones ARRANCAR/ESTACIONAR, engrane el freno de estacionamiento, APAGUE las cuchillas del cortacésped, APAGUE el interruptor de ignición, y espere que todas las piezas móviles se detengan antes de acceder al compartimiento del motor o realizar cualquier procedimiento de mantenimiento.

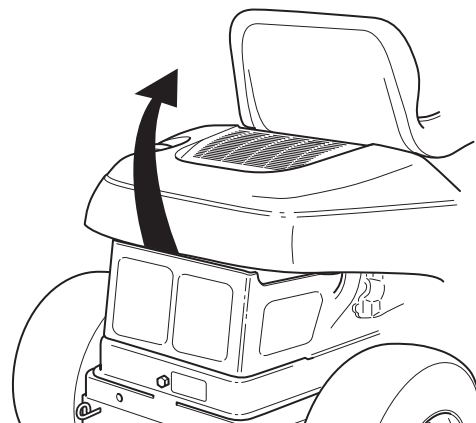


Figura 15. Ganar acceso al compartimiento del motor

GANAR ACCESO AL COMPARTIMIENTO DEL MOTOR

Levante la parte posterior del asiento para ganar acceso al compartimiento del motor (vea la Figura 15).

LIMPIAR DESPOJOS DEL TRACTOR Y DEL COMPARTIMIENTO DEL MOTOR

Intervalo de Servicio: Antes de cada uso.

PRECAUCIÓN: Si no se quitan los despojos del compartimiento del motor y otras superficies calientes, se crea un peligro de incendio. Antes de arrancar la unidad al inicio de la sesión de podado de césped, elimine cualquier hierba cortada, mugre, hojas u otros despojos de la unidad. También limpie el interior del compartimiento del motor.

LIMPIAR DESPOJOS DEL ÁREA ENFRIAMIENTO DEL MOTOR Y DEL FILTRO DE AIRE

Intervalo de Servicio: Antes de cada uso.

PRECAUCIÓN: Si no se quitan los despojos del compartimiento del motor y otras superficies calientes, se crea un peligro de incendio. Antes de arrancar la unidad al inicio de la sesión de podado de césped, levante el asiento y limpie cualquier despojo de la rejilla de admisión en la parte superior del motor (A, Figura 16), el abanico de enfriamiento expuesto del motor y alrededor de la instalación del filtro de aire. También abra la tapa del filtro de aire (B) y elimine cualquier suciedad que se haya acumulado en el compartimiento del filtro de aire.

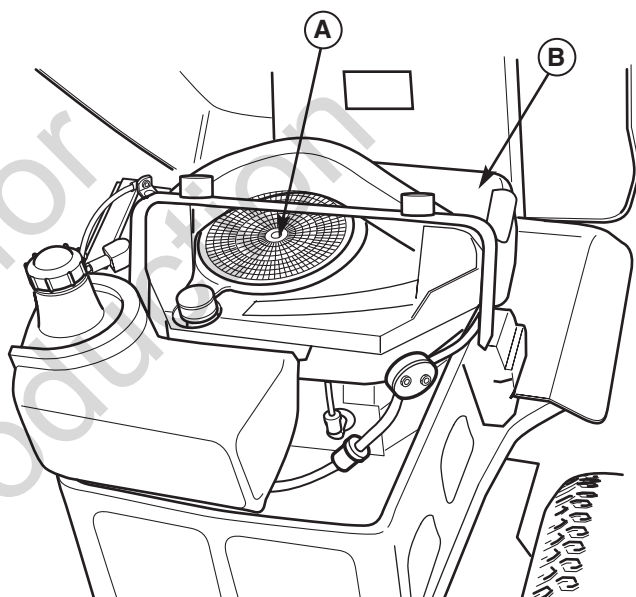
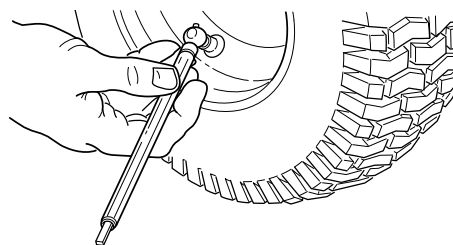


Figura 16. Compartimiento del Motor
A. Rejilla de Admisión
B. Cubierta del Filtro de Aire

VERIFICAR PRESIÓN DE LAS LLANTAS

Intervalo de Servicio: 25 horas.

La presión de las llantas debe revisarse periódicamente y mantener en los niveles mostrados en la Figura 17. Tome en cuenta que las presiones pueden diferir ligeramente de la "Inflación Máx" estampada a los lados de las llantas. Las presiones mostradas ofrecen una tracción apropiada, mejor calidad de corte y vida extendida para las llantas.



Llanta	Presión
Delantera	18-20 psi (1.24-1.38 bar)
Trasera	10-12 psi (.69-.83 bar)

Figura 17. Presión de las Llantas

LUBRICACIÓN

Intervalo de Servicio: 25 horas.

Lubrique la unidad en los lugares mostrados en las Figuras 18 a 21 así como en los siguientes puntos de lubricación.

Grasa:



- engrasadores de la rueda delantera
- bujes de la rueda delantera
- árboles de sujeción de la podadora

Use engrasadores cuando estén presentes.

No todas las grasas son compatibles. Use grasa de litio de tipo automotriz.

Aceite:



- acoplamiento hidráulico
- acoplamiento del freno
- puntos del pivote del bastidor
- acoplamiento del ajuste de altura de la cubierta de la podadora

Generalmente, todas las partes de metal para podado deben engrasarse donde entran en contacto con otras partes. No ponga aceite ni grasa en las bandas y poleas. Recuerde limpiar con un trapo los acoples y superficies antes y después de la lubricación.

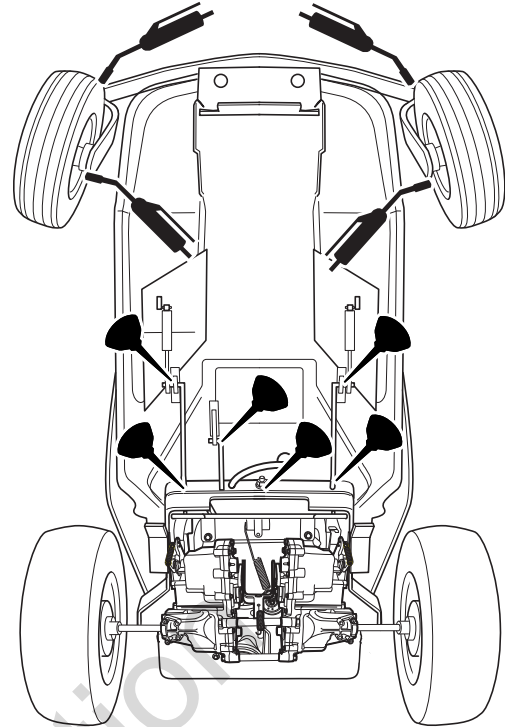


Figure 20. Lubricación del montable

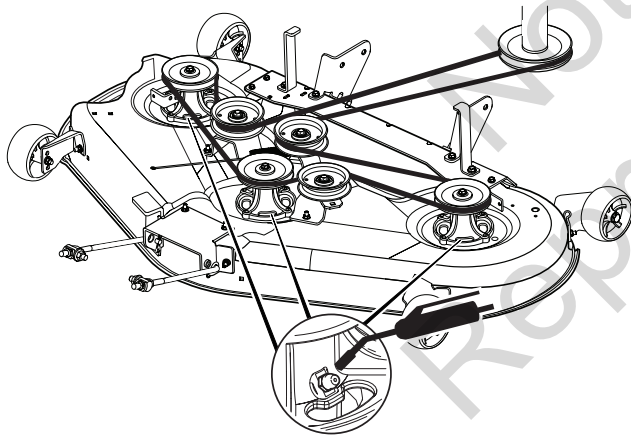


Figura 18. Lubricación de la Podadora

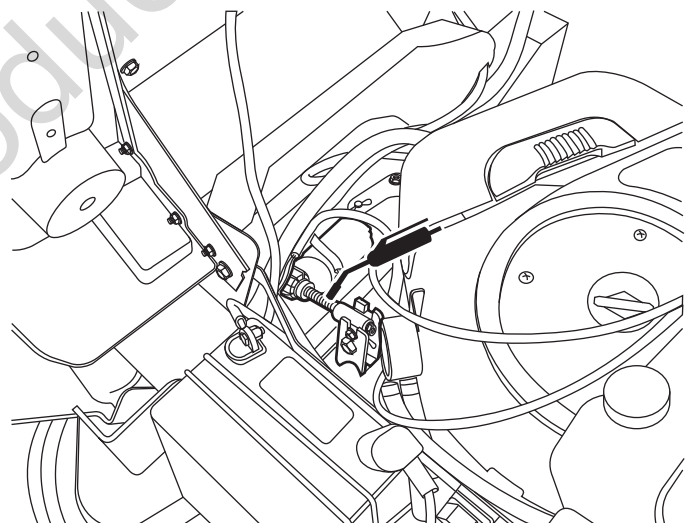


Figure 21. Lubricación del elevador de la segadora

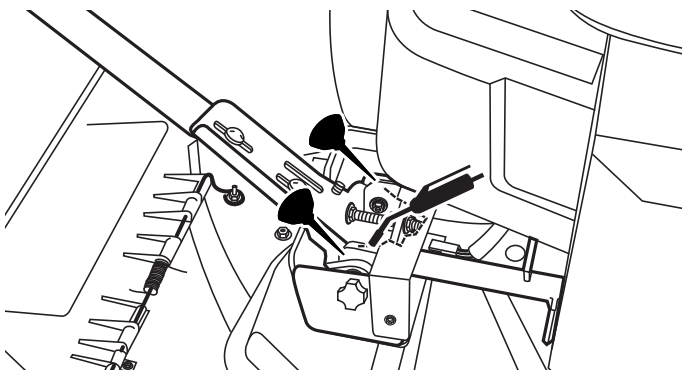


Figure 19. Lubricación del montable

LIMPIAR CUBIERTA Y VERIFICAR/ REEMPLAZAR ASPAS DE PODADORA

Intervalo de Servicio: 25 horas o según se requiera.

1. Quite la cubierta de la podadora (vea REMOCIÓN DE LA CUBIERTA DE LA PODADORA en la sección de Operación).

! ADVERTENCIA

Para su seguridad personal, no maneje las aspas afiladas de la podadora con las manos descubiertas. El manejo imprudente o indebido de las aspas puede resultar en lesiones graves.

! ADVERTENCIA

Para su seguridad personal, los tornillos de cabeza hexagonal para montar las aspas deben instalarse con y una arandela elástica, y luego apretar fijamente. Apriete el tornillo de cabeza hexagonal para montar el aspa a un par de torsión de 45-55 ft-lbs (61-75 Nm).

2. Quite el aspa para inspeccionarla o para ganar acceso seguro al lado inferior de la cubierta de la podadora (vea la Figura 22). Use un bloque de madera para evitar que gire el aspa mientras afloja el tornillo de cabeza hexagonal girándolo a la izquierda.
3. Quite el tornillo de cabeza hexagonal (A, Figura 23), arandela elástica (B), y aspa.
4. Limpie el lado inferior de la cubierta de la podadora.
5. Inspeccione las aspas para ver que no tengan muescas o rebordes desafilados. Use una lima para afilar el aspa a un filo cortante. Si el aspa está dañada, debe reemplazarla.
6. Equilibre el aspa como se muestra en la Figura 24. Centre el orificio del aspa con un clavo lubricado con una gota de aceite. Un aspa equilibrada permanecerá nivelada. Si el aspa no está equilibrada, siga afilando el lado pesado hasta que esté equilibrada.
7. Reinstale el aspa con las aletas de izado (C, Figura 23) apuntando arriba hacia la cubierta de la podadora como se muestra.
8. Reinstale la arandela elástica (B) y tornillo de cabeza hexagonal (A). Use un bloque de madera (E) para evitar que el aspa gire mientras aprieta el tornillo de cabeza hexagonal (A) a 45-55 ft-lbs (61-75 Nm). Gire el tornillo de cabeza hexagonal a la derecha para apretarlo.

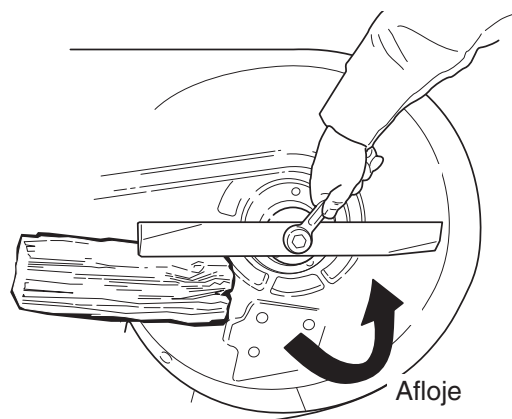


Figura 22. Remoción del Aspa

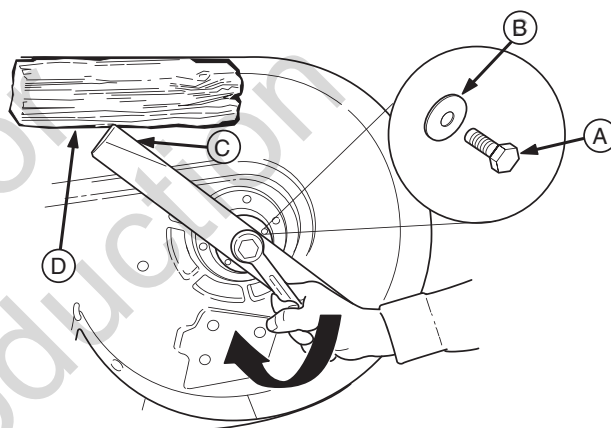


Figura 23. Instalación del Aspa

- A. Tornillo de Cabeza Hexagonal del Aspa
- B. Arandela Elástica
- C. Aletas de Izado
- D. Bloque de Madera de 4x4



Figura 24. Equilibrar el Aspa

LIMPIAR BATERÍA Y CABLES

ADVERTENCIA



Peligro de corrosión.

Las baterías contienen ácido. Conserve la batería siempre de pie y no derrame el electrolito. Evite el contacto con la piel y los ojos.



Peligro de explosión.

Cuando quite o instale los cables de la batería, desconecte PRIMERO el cable negativo y conéctelo al FINAL. Si no se hace en este orden, la terminal positiva puede causar un cortocircuito con el bastidor al contacto con una herramienta.

Use equipo protector



Use siempre guantes y gafas de seguridad cuando manipule la batería y sus cables.

Intervalo de Servicio: 200 horas.

1. Desconecte los cables de la batería, primero el cable negativo (B, Figura 25).
2. Quite la banda de goma que sujeta la batería y quite la batería
3. Limpie la batería y el compartimiento de la batería con una solución de bicarbonato de sodio y agua.
4. Limpie las terminales de la batería y los extremos del cable con un cepillo de alambre hasta que brillen.
5. Reinstale la batería y sujétela con la banda de goma.
6. Reconecte los cables de la batería: primero conecte el cable positivo (A, Figura 25), luego conecte el cable negativo (B).
7. Aplique una capa de parafina o grasa no conductora a los extremos del cable y a las terminales de la batería.

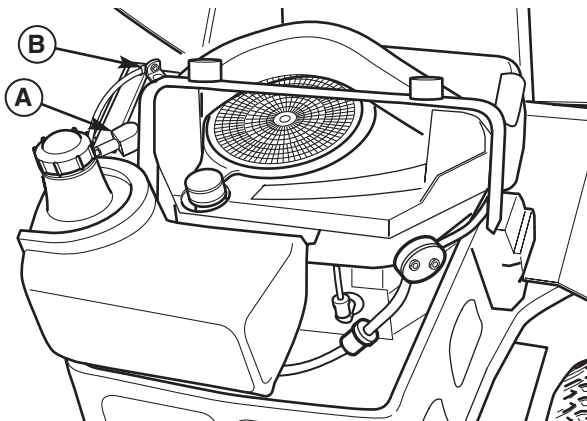


Figura 25. Compartimiento del Motor

A. Cable Positivo (+) de la Batería

B. Cable Negativo (-) de la Batería



REVISAR SISTEMA DE SEGURIDAD DEL MONTABLE

Intervalo de servicio: Cada 100 horas, cada primavera y otoño y después de estar guardado por más de 30 días.

Esta unidad está equipada con interruptores de intercierre de seguridad. Estos sistemas de seguridad están presentes para su seguridad. No intente evitar los interruptores de seguridad y nunca haga cambios indebidos a los dispositivos de seguridad. Revise su operación con regularidad.

Revisiones de SEGURIDAD de Operación

PRUEBA 1: EL MOTOR NO DEBE ARRANCAR SI:

- El interruptor de cuchillas de la segadora está ACTIVADO, O BIEN
- Las palancas del control de velocidad de avance no están en posición de START/PARK (arrancar), Y
- La palanca del freno de mano está en la posición DESENGRANAR.

PRUEBA 2: EL MOTOR DEBE ARRANCAR SI:

- El interruptor de cuchillas de la segadora está DESACTIVADO, Y
- Las palancas del control de velocidad de avance están en posición de START/PARK (arrancar).
- La palanca del freno de mano está en la posición ENGRANAR.

PRUEBA 3 - EL MOTOR DEBE APAGARSE SI:

- El operador se levanta del asiento con el interruptor de cuchillas de la segadora ACTIVADO, O BIEN
- El operador se levanta del asiento con las palancas de velocidad de avance en posición de DRIVE (avance), O BIEN
- El operador se levanta del asiento con el freno de mano en la posición DESENGRANAR, O
- El operador quita la palanca de control de velocidad de desplazamiento derecha y/o izquierda de su posición ARRANCAR/ESTACIONAR con la palanca del freno de mano en la posición ENGRANAR.

PRUEBA 4 - VERIFICACIÓN DE FRENO DE ASPAS

Las aspas y la banda de tracción de la podadora deben detenerse por completo en un lapso de cinco segundos después de poner el interruptor PTO en OFF. Si la banda de tracción de la podadora no se detiene en cinco segundos, póngase en contacto con el Centro de Partes y Reparaciones de distribuidor.

NOTA: Una vez que se haya detenido el motor, debe poner el interruptor PTO en OFF, el freno de mano en PARK y las palancas del control de velocidad fijas en la posición de PARK para que pueda arrancar el motor

ADVERTENCIA

Si la unidad no pasa una prueba de seguridad, no la opere. Visite un Centro de Partes y Reparaciones de Sears. Bajo ninguna circunstancia intente anular la finalidad del sistema del intercierre de seguridad.

VERIFICAR/AJUSTAR EMBRAGUE DEL PTO

ADVERTENCIA

Para evitar lesiones graves, sólo haga los ajustes con el motor detenido, la llave quitada y el tractor en terreno nivelado.

Intervalo de Servicio: 200 horas.

El embrague del PTO se embraga y desembraga con el interruptor PTO. El embrague suministra la energía y frena las aspas de la podadora. Verifique el ajuste del embrague del PTO cada 200 horas de operación. También realice el siguiente procedimiento si se barre el embrague, no embraga o si instaló un embrague nuevo.

1. Quite la llave del interruptor de encendido y desconecte los cables de las bujías para evitar un posible arranque accidental mientras ajusta el PTO.
2. Tome nota de la posición de las 3 ventanas de ajuste (A, Figura 26) en el lado del disco portafreno y las tuercas mecánicas de ajuste (B).
3. Inserte una lámina calibradora (C) de 2,5-4 mm (.012"-.015") por cada ventana, colocando el calibrador entre la cara del rotor y la cara del armazón como se muestra en la Figura 27.
4. Alternativamente apriete las tuercas de ajuste (B, Figura 27) hasta que la cara del rotor y la cara del armazón apenas hagan contacto con el calibrador.
5. Verifique las ventanas para ver que la tensión sea igual cuando el calibrador se introduce y se saca, y haga los ajustes necesarios apretando o aflojando las tuercas de ajuste.

NOTA: El espacio vacío existente entre el rotor y el armazón puede variar aún después de realizar el procedimiento de ajuste. Esto se debe a las variaciones dimensionales de los componentes y es una condición aceptable.

6. Verifique el tiempo en que se detienen las aspas de la podadora. Las aspas y la banda de tracción de la podadora deben detenerse por completo en un lapso de cinco segundos después de apagar el interruptor PTO eléctrico. Si el ajuste no termina el problema de frenado de la podadora, reemplace el embrague eléctrico del PTO.

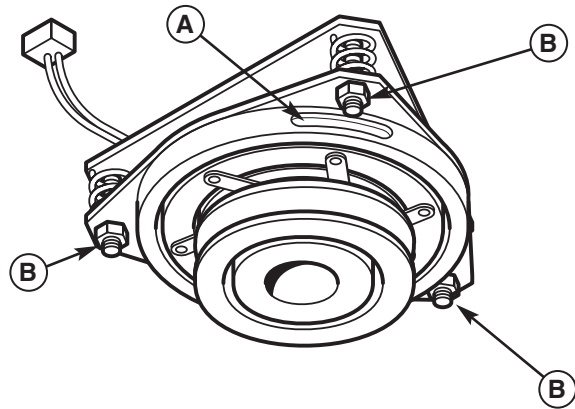


Figura 26. Ajuste del Embrague del PTO
A. Ventana de Ajuste (Ctd. 3, se muestra una)
B. Tuerca de Ajuste (3)

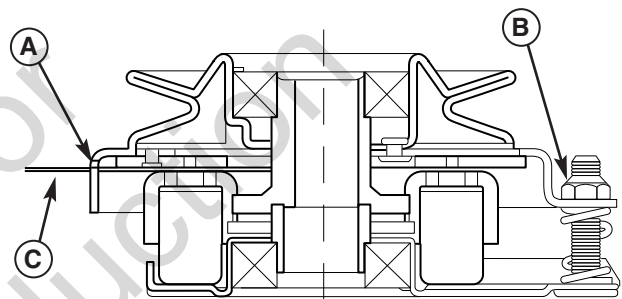


Figura 27. Ajustar Embrague del PTO
A. Ventana
B. Tuerca de Ajuste
C. Lámina Calibradora

Elementos de Mantenimiento del Motor

VERIFIQUE EL NIVEL DE ACEITE DEL MOTOR

Service Interval: Before each use, and every 8 hours.

1. Apague el motor, y coloque los controles de velocidad de suelo en la posición de PARK (parado). Estacione la unidad en una superficie plana. Deje que el motor se enfríe.
2. Limpie el área alrededor de la varilla para medición del nivel (C, Figura 29).
3. Remueva la varilla para medición del nivel (C) y límpiela con una toalla de papel.
4. Inserte la varilla para medición del nivel en el motor, y empújela para colocarla en su posición.
5. Remueva la varilla para medición del nivel y lea el nivel de aceite. El nivel de aceite deberá estar entre las marcas "F" y "L" (D). De lo contrario, añada aceite de acuerdo con las recomendaciones de la tabla del aceite (vea la Figura 28).

CAMBIAR ACEITE DEL MOTOR Y FILTRO

Intervalo de Servicio: 200 horas.

Capacidad del Aceite: .95 de cuarto de galón (.90 litros) con cambio de filtro de aceite.

NOTA: Cambie el aceite del motor mientras el motor está tibio. Deje correr el motor por unos minutos, luego apague el motor y deje que enfríe de caliente a tibio.

1. Limpie el área alrededor de la varilla de nivel de aceite (C, Figura 29) y el drenaje del aceite (A).
2. Quite el tapón del drenaje del aceite (A) y la varilla de nivel de aceite (C). Conceda un buen tiempo para que termine de drenar.
3. Quite el filtro del aceite (B). Tire el filtro a la basura.
4. Voltee el filtro nuevo y llénelo con aceite fresco. Permita que el aceite trasmine en el filtro nuevo por dos minutos.
5. Usando una gota de aceite en la punta del dedo, moje el empaque de goma en la parte inferior del filtro nuevo.
6. Tire el aceite del filtro e instale el filtro en la base del filtro. Gire el filtro a la derecha hasta que el empaque de goma tope con la base del filtro. Luego dé 2/3 a 1 vuelta completa más.
7. Reinstale el tapón de drenaje de aceite (A).
8. Llene el cárter con aceite. Vea arriba VERIFICAR NIVEL DE ACEITE DEL MOTOR.
9. Pruebe el motor para verificar que no haya fugas. Detenga el motor por 1 minuto, luego vuelva a verificar el nivel del aceite.

Use aceite de Servicio clasificado para API de Clase SG, SH, SJ o mejor con viscosidad SAE.

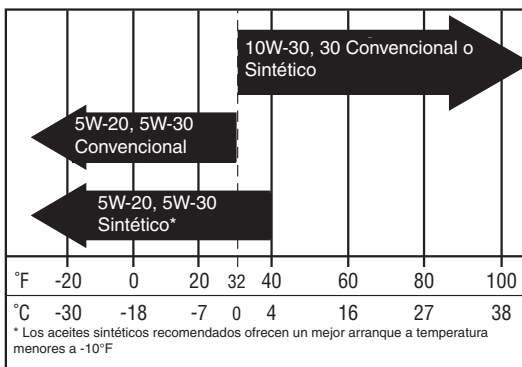


Figura 28. Aceite de Motor Recomendado

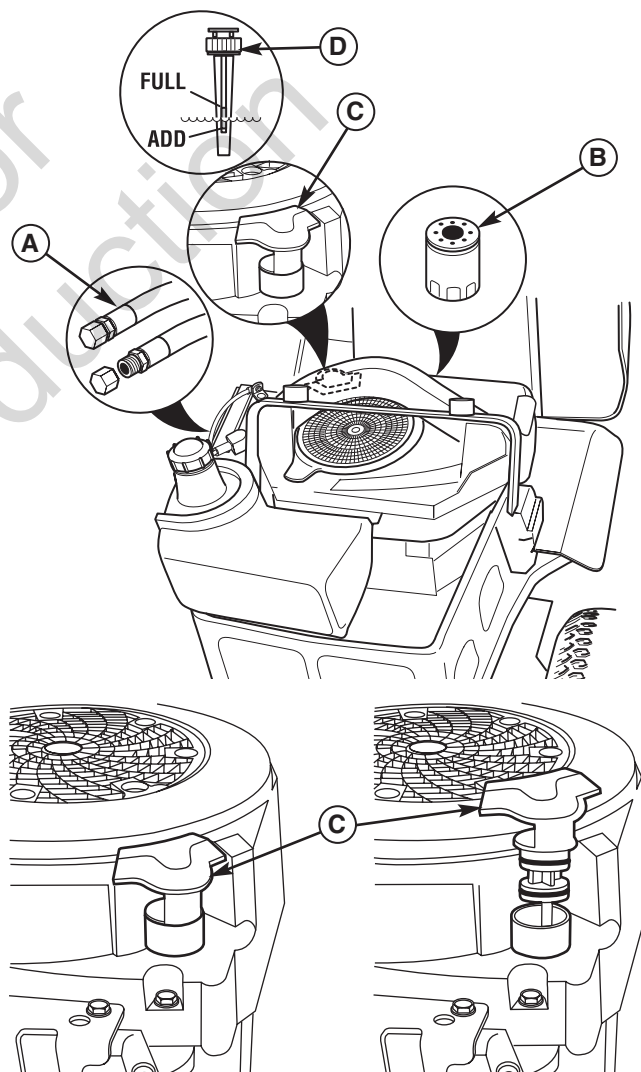


Figura 29. Cambio de Aceite
A. Tubo de Drenaje de Aceite
B. Filtro de Aceite
C. Varilla de Nivel de Aceite
D. Verificar Nivel del Aceite

REEMPLACE EL FILTRO DE AIRE

Intervalo de servicio: Cada 25 horas o cada dos meses, o conforme sea necesario.

1. Afloje los botones de la cubierta del filtro de aire (A, Figura 30) y remueva la cubierta (B). Limpie cualquier residuo alrededor del filtro de aire. Inspeccione la condición de las superficies de sellamiento del elemento del filtro de aire (C) y de la base del filtro (D). Reemplace cualquier parte dañada.
2. Remueva el elemento del filtro de aire (C).
3. Instale el elemento del filtro de aire nuevo con el lado plisado hacia afuera y asíntelo en los bordes de la base del purificador de aire (D).
4. Reinstale la cubierta del filtro de aire (B) y asegúrela con los dos botones (A).

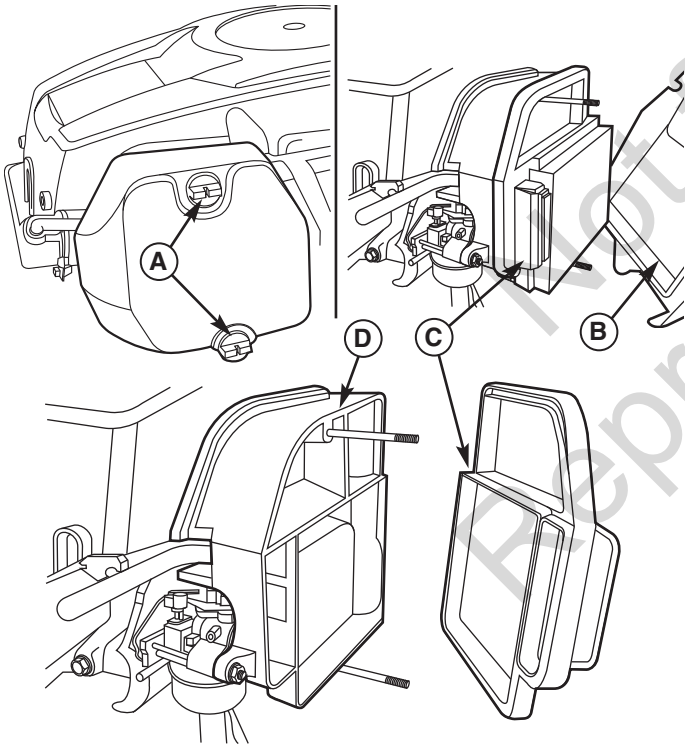


Figura 30. Ensamblaje del filtro de aceite

- A. Botón
- B. Cubierta
- C. Filtro de aire
- D. Base

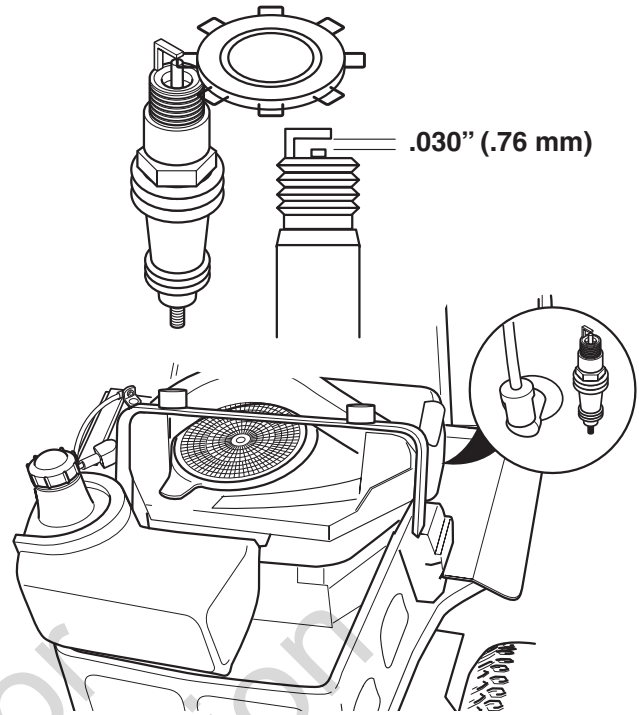


Figura 31. Entrehierro de la Bujía

REEMPLAZAR BUJÍA

Intervalo de Servicio: 200 horas.

Bujía de Repuesto: Champion RC12YC o equivalente

Entrehierro de Bujía: .030" (.76 mm)

1. Detenga el motor y permita que se enfríe.
2. Limpie el área alrededor de la bujía (A, Figura 31).
3. Quite la bujía e inspecciónela. Si está dañada o desgastada, reemplácela.
4. Verifique el entrehierro de la bujía. El entrehierro (de una bujía nueva o usada) debe ser de .030".
5. Reinstale la bujía en la culata del cilindro. Apriete la bujía a un par de torsión de 38-43 Nm (28-32 ft-lbs).

SERVICIO Y AJUSTES

AJUSTE DE PALANCA DE CONTROL DE VELOCIDAD

Las palancas de control tienen tres ajustes:

Para Ajustar la Altura de las Palancas de Control: Jale las palancas hacia adentro, encima del regazo del operador a la posición de DRIVE. Afloje los pernos de montaje (D, Figura 32) y suba o baje las palancas a la posición deseada. Apriete los pernos de montaje (D).

Para Ajustar la Brecha Final de las Palancas de Control: La brecha final de las palancas de control deben ajustarse de modo que las palancas no se toquen entre sí cuando se pongan en posición de DRIVE. Afloje la contratuerca (A, Figura 32) y ajuste la longitud del tornillo de cabeza redonda (B) de modo que las palancas no se toquen entre sí. Repita lo mismo en el lado opuesto. Apriete la contratuerca (A) para fijar el tornillo de cabeza redonda en su posición.

Para Ajustar el Espacio Libre para el Operador: El espacio entre el operador y las palancas de control puede incrementarse quitando el perno de montaje más bajo (D, Figura 32), girando la palanca hacia adelante y reinstalando el tornillo de cabeza hexagonal a través de las palancas de control y la ranura delantera (C). Repita lo mismo con la palanca de velocidad.

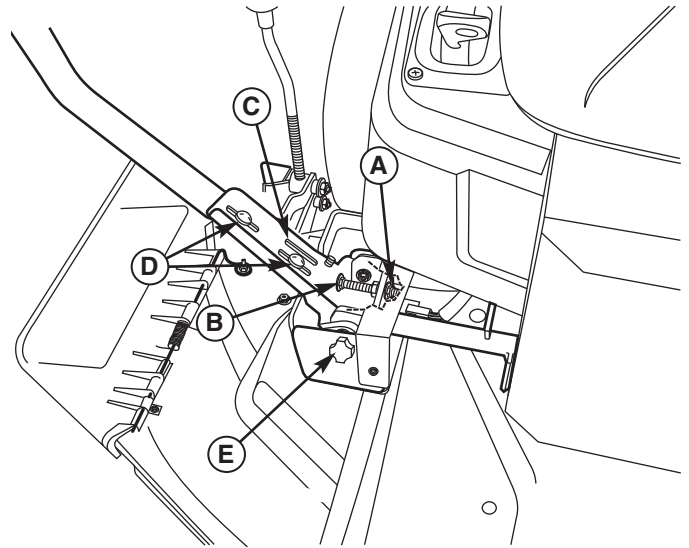


Figura 32. Ajuste de las Palancas de Control

- A. Contratuerca
- B. Tornillo de Cabeza Redonda
- C. Ranura Delantera
- D. Pernos de Montaje
- E. Perilla

AJUSTE DE BALANCEO DE VELOCIDAD

Si el tractor vira a la derecha o a la izquierda cuando las palancas del control de velocidad están en la posición de velocidad máxima hacia adelante, la velocidad máxima de cada una de las palancas puede balancearse girando las perillas de ajuste (E, Figura 32). Gire la perilla A LA IZQUIERDA para aumentar la velocidad o A LA DERECHA para disminuir la velocidad.

AJUSTE DE LA ALTURA DE CORTE

Para aumentar la altura de corte de la segadora (elevar la cubierta de la segadora), oprima la parte superior del ajuste de altura de corte de la segadora (A, Figura 33). Para disminuir la altura de corte de la segadora (bajar la cubierta de la segadora), oprima la parte inferior del ajuste. El rango de la altura de corte de la segadora es 9,5 a 3,8 cm (3-3/4" a 1-1/2"). El indicador de altura de corte indica la posición de la cubierta de la segadora. El indicador de altura de corte (B) se encuentra en la parte frontal del montable, justo detrás de la pierna izquierda del conductor.

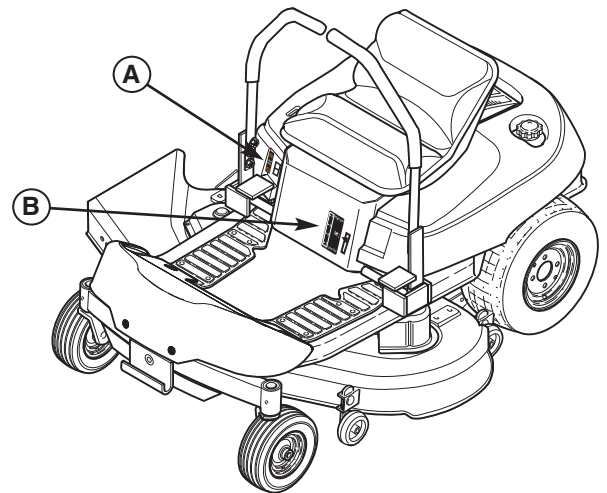


Figura 33. Ajuste de la altura de corte

- A. Ajuste de la altura de corte
- B. Indicador de altura de corte

AJUSTE DE EMBRAGUE DEL PTO

Vea REVISAR / AJUSTAR EMBRAGUE DEL PTO en la sección de Mantenimiento.

AJUSTE DE LOS FRENOS

1. Detenga la unidad, coloque las palancas de velocidad de desplazamiento en las posiciones START/PARK (ARRANCAR/ESTACIONAR), coloque la palanca del freno de estacionamiento en la posición ENGAGE (ENGRANAR), apague la ignición (OFF), y espere que todas las piezas móviles se detengan. Quite la llave.
2. Coloque ambas palancas de liberación de la transmisión en la posición PUSH (EMPUJAR). (Consulte CÓMO EMPUJAR LA UNIDAD MANUALMENTE.)
3. Empuje la unidad hacia delante para asegurar que ambos frenos de la transmisión estén totalmente engranados y ambas ruedas traseras estén trabajadas en la posición estacionaria (sin rotación).
4. Ubique la varilla del freno (A, Figura 34) y la tuerca de ajuste (B).
5. Mida el resorte del freno de mano. Su largo comprimido, con la palanca del freno de mano en la posición ENGAGE (ENGRANAR), debe ser de 8.89 cm (3-1/2"). Ajuste el largo del resorte girando la tuerca de ajuste (B), si fuera necesario.

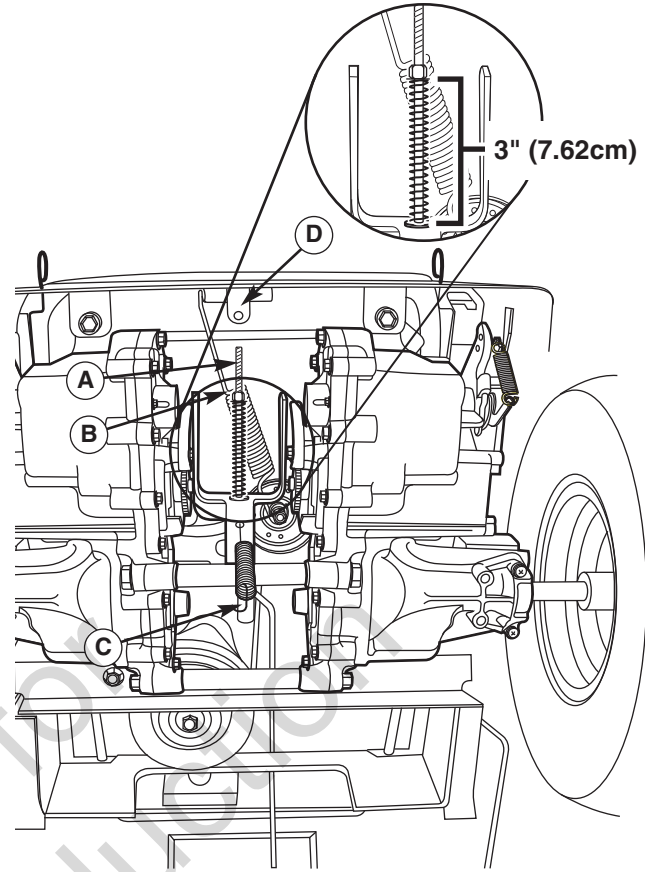


Figura 34. Ajuste del freno

- A. Varilla del freno
- B. Tuerca de ajuste
- C. Resorte de retorno
- D. Orificio de resorte de retorno

Para recargar la batería, siga las instrucciones suministradas por el fabricante del recargador de baterías así como todas las advertencias incluidas en la sección de reglas de seguridad de este libro. Recargue la batería hasta que esté completamente cargada (hasta que la gravedad específica del electrolito sea 1.250 o mayor y la temperatura del electrolito sea por lo menos de 15.5° C). No recargue a un índice mayor de 10 amperes.

⚠️ ADVERTENCIA



Peligro de corrosión.

Las baterías contienen ácido. Conserve la batería siempre de pie y no derrame el electrolito. Evite el contacto con la piel y los ojos.



Peligro de explosión.

Cuando quite o instale los cables de la batería, desconecte PRIMERO el cable negativo y conéctelo al FINAL. Si no se hace en este orden, la terminal positiva puede causar un cortocircuito con el bastidor al contacto con una herramienta.



Use equipo protector

Use siempre guantes y gafas de seguridad cuando manipule la batería y sus cables.

RECARGA DE LA BATERÍA

Una batería descargada o una demasiado baja para arrancar el motor puede ser el resultado de un defecto en el sistema de recarga o algún otro componente eléctrico. Si tiene alguna duda sobre la causa del problema, póngase en contacto con un distribuidor. Si necesita reemplazar la batería, siga los pasos bajo LIMPIEZA DE BATERÍA Y CABLES en la Sección de Mantenimiento.

AJUSTES DEL MOTOR

El motor está diseñado para brindar un rendimiento correcto bajo todas las condiciones de operación. Cualquier tipo de ajustes deberán ser efectuados por distribuidor u otro taller de servicio calificado.

AJUSTE DE NIVEL DE LA CUBIERTA DE LA PODADORA

ADVERTENCIA

Antes de realizar ajustes a la segadora, desactive las cuchillas de la misma, gire el interruptor de encendido para apagar el motor, quite la llave y espere a que se detengan todas las piezas móviles. Desconecte el cable de bujías y sujételo lejos de la misma.

Si el corte es desigual, es posible que necesite nivelar la podadora. La causa del corte desigual puede ser que la presión de las llantas sea desigual o inadecuada. Vea VERIFICAR LA PRESIÓN DE LAS LLANTAS.

Nivelado de un Lado a Otro

1. Con la podadora instalada, coloque el tractor en una superficie lisa y nivelada como un piso de concreto. Gire las ruedas delanteras para que apunten hacia adelante. Apague el motor, ponga el freno de mano en PARK y espere a que se detengan todas las partes en movimiento.
2. Verifique que las aspas no estén dobladas y reemplácelas si es necesario.
3. Verifique la presión de las llantas. Vea VERIFICAR LA PRESIÓN DE LAS LLANTAS.
4. Ajuste la altura de corte a posición media. Coloque las aspas de la podadora de modo que apunten de un lado a otro (vea la Figura 35 y 36).
5. Mida la distancia entre las puntas de las aspas externas y el suelo (vea la Figura 36). Si hay una diferencia mayor a 1/8" (3mm) entre las medidas en cada lado, proceda con el paso 6. Si la diferencia es de 1/8" (3mm) o menos, proceda con el Nivelado de Adelante hacia Atrás.
6. El nivelado de un lado a otro se logra usando las varillas roscadas (A, Figura 37) y el muñón (B) en la parte posterior derecha e izquierda de la cubierta de la segadora. Afloje las contratuerzas (C) y ajústelas hacia arriba o hacia abajo para ajustar el nivel de la segadora. Cuando termine, apriete las contratuerzas unas con otras para sujetar el ajuste en su lugar.

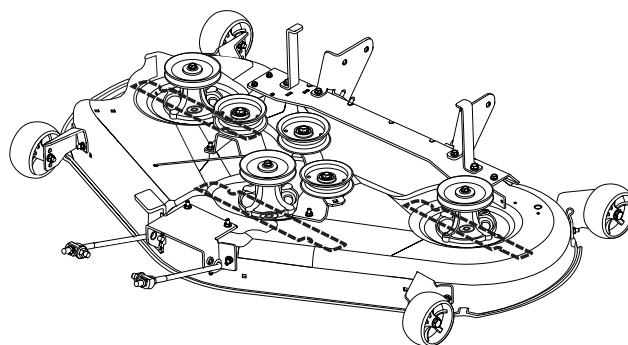


Figura 35. Orientar las Aspas de un Lado a Otro

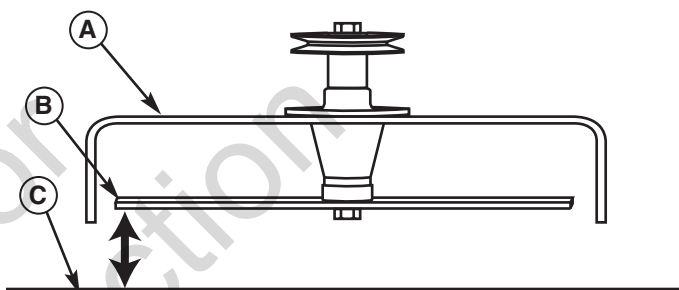


Figura 36. Medir las Puntas del Aspa con el Suelo
A. Cubierta de la Podadora
B. Punta del Aspa
C. Suelo Nivelado

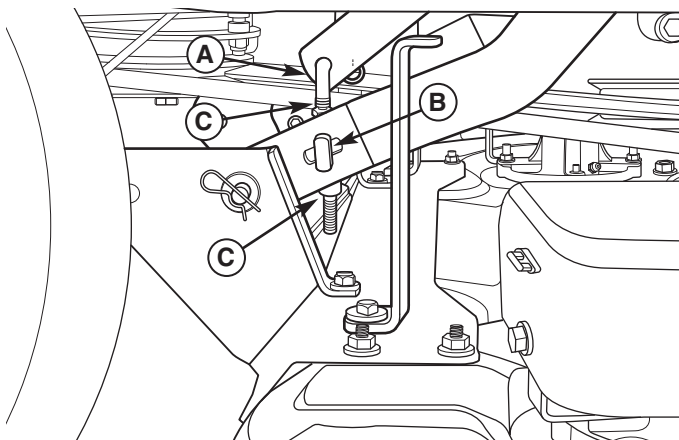


Figura 37. Nivelado de un Lado a Otro
A. Varilla roscada
B. Muñón
C. Contratuerzas

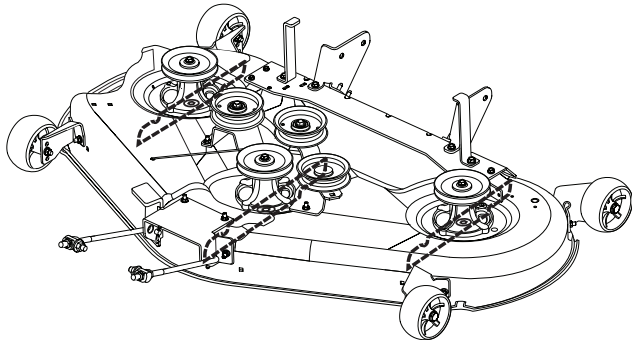


Figura 38. Orientar las Aspas de Adelante hacia Atrás

NIVELADO FRONTOPOSTERIOR

Si el corte es desigual, puede ser necesario el nivelado del cortacésped. La presión de neumáticos desigual o inadecuada también puede ser caso de un corte desigual. Véase **COMPROBAR LA PRESIÓN DE LOS NEUMÁTICOS**.

1. Gire las cuchillas frontoposteriormente según se muestra en la Figura 38. Mida la distancia desde el suelo hasta la punta frontal de la cuchilla central, y desde el suelo hasta las puntas posteriores de las cuchillas izquierda y derecha (Figura 38). Las puntas frontales deberán ser entre 3 y 6 mm (1/8 pulg. y 1/4 pulg.) más altas que las puntas posteriores. Si no es así, proceda con el paso 2.
2. La barra de enganche frontal (A, Figura 39) se utiliza para ajustar el nivelado frontoposterior. Para subir o bajar el frente de la plataforma del cortacésped, afloje las dos tuercas de bloqueo (B) en ambos lados de la barra de enganche delantera (A). Ajuste las tuercas de bloqueo (C) a ambos lados de la barra de enganche (A) para ajustar en nivel de la plataforma del cortacésped. Cuando estén correctamente ajustadas, apriete las tuercas de bloqueo posteriores (B) para bloquear en su posición la barra de enganche delantera.

SUSTITUCIÓN DE LA COREA DEL CORTACÉSPED

1. Posicione el cortacésped sobre una superficie nivelada. Desactive el PTO, apague el motor, sitúe las palancas de control de velocidad de avance en ESTACIONAR. Retire la llave.
2. Retire la tapa de la correa.
3. Inserte el trinquete en el orificio de 9,5 mm (3/8 pulg.) del brazo de polea tensora (A, Figura 40) y tire para liberar la tensión de la correa.
4. Retire la correa de transmisión del cortacésped (B) de la polea del motor de transmisión (C).
5. Retire la correa desde las restantes poleas de la plataforma del cortacésped.

NOTA: No es necesario retirar la plataforma del cortacésped para cambiar la correa.

6. Instale la nueva correa del cortacésped en la forma que se muestra en la Figura 40.

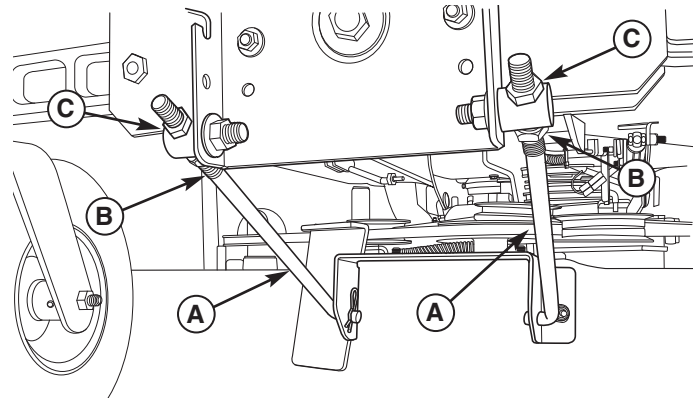


Figure 39. Nivelado de adelante hacia atrás

- A. Varilla
- B. Contratuerca trasera
- C. Contratuerca delantera

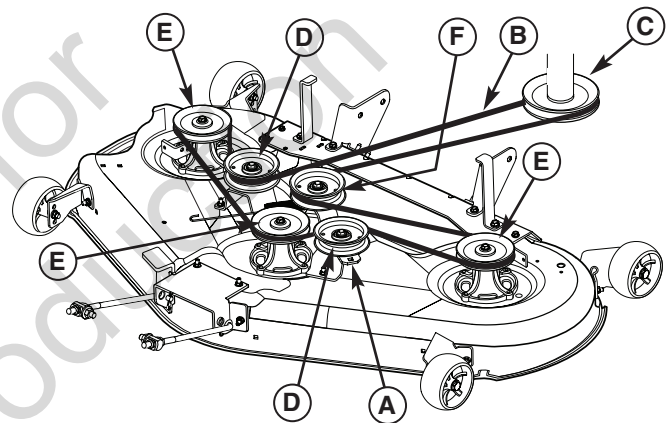


Figura 40. Dirección de la correa del cortacésped

- A. Brazo de la polea tensora
- B. Correa del cortacésped
- C. Polea del motor de transmisión
- D. Polea tensora fijada (2)
- E. Polea de mandril de la transmisión (3)
- F. Polea más ociosa ajustable de tensión

PUERTO DE DESLAVE DE LA PLATAFORMA DEL CORTACÉSPED

NOTA: El puerto de deslave le permite conectar una manguera de jardín típica al lado de corte (izquierdo) de la plataforma del cortacésped para retirar el pasto y desechos de su parte inferior. Esto asegura el funcionamiento seguro y correcto del cortacésped.

1. Coloque el tractor cortacésped sobre una superficie lisa y nivelada.

⚠ ADVERTENCIA

Antes de operar el cortacésped, asegúrese que la manguera esté conectada correctamente y no toque las cuchillas. Cuando el cortacésped esté en funcionamiento y las cuchillas estén engranadas, la persona que esté limpiando la plataforma del cortacésped debe estar en la posición de operador y no debe haber personas cerca. El no seguir estas precauciones puede resultar en lesiones graves o muerte.

2. Conecte el desconector rápido (A, Figura 41) a la manguera de jardín (B) y conéctela al puerto de deslave (C) en la plataforma del cortacésped.
3. Encienda el cortacésped y colóquelo en la posición de corte más alta.
4. Deje correr agua para retirar el pasto y los desechos de la parte inferior de la plataforma del cortacésped.
5. Apague el cortacésped.
6. Retire la manguera de jardín y el desconector rápido del puerto de deslave al finalizar.

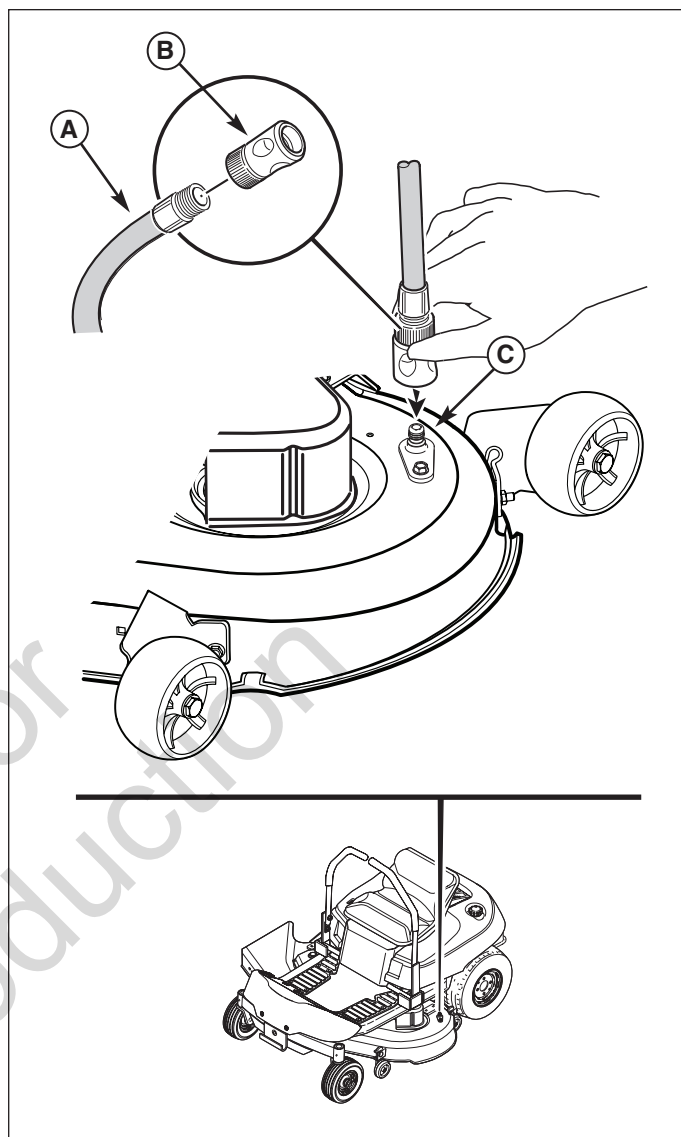


Figura 41 Puerto de deslave de la plataforma del cortacésped

- A. Desconector rápido**
- B. Manguera**
- C. Puerto de deslave**

ALMACENAMIENTO

ALMACENAMIENTO

Antes de almacenar su unidad en la temporada baja, lea las instrucciones de Mantenimiento y Almacenamiento en la sección de Reglas de Seguridad, luego realice los siguientes pasos:

- Desacople el PTO, ponga el freno de mano y quite la llave.
- Verifique el nivel de todos los fluidos. Verifique todos los elementos de mantenimiento.
- La vida de la batería se incrementará si la quita, y la coloca en un lugar seco y fresco y la carga por completo una vez al mes. Si deja la batería en la unidad, desconecte el cable negativo.

Es importante evitar que se formen depósitos de goma en las partes esenciales de la instalación de combustible como el carburador, filtro de la gasolina, tubería del combustible y el tanque de gasolina durante el almacenamiento. Además, los combustibles mezclados con alcohol (llamados gasohol o usando etanol o metanol) puede atraer humedad que lleva a la separación y formación de ácidos durante el almacenamiento. El gas ácido puede dañar la instalación de combustible de un motor mientras está en almacenamiento.

⚠ ADVERTENCIA

Nunca almacene la unidad (con combustible) en una estructura cerrada con poca ventilación. Los vapores del combustible pueden viajar a una fuente de ignición (como un horno, calentador de agua, etc.) y ocasionar una explosión.

Los vapores del combustible también son tóxicos para los humanos y animales.

Para evitar problemas con el motor, la instalación de combustible debe vaciarse antes del almacenamiento de 30 días o más. Siga estas instrucciones;

Para proteger el motor, se recomienda el uso del estabilizador de combustible.

Antes de arrancar la unidad después de estar almacenada:

- Verifique el nivel de todos los fluidos. Verifique todos los elementos de mantenimiento.
- Llène con combustible FRESCO.
- Después de arrancar, permita que el motor se caliente antes de operar.

ESPECIFICACIONES

NOTA: Las especificaciones son correctas al momento de la impresión y están sujetas a cambio sin previo aviso.

MOTOR:

Marca	Kohler
Modelo	Courage SV735S
Potencia en caballos de fuerza*	26 a 3060 rpm*
Desplazamiento	724 cc (44,2 pulgadas cúbicas)
Sistema eléctrico	12 voltios, 16 amp. Alternador, batería: 230 CCA
Capacidad de aceite	1,6-1,8 L (1,7-1,9 qt)

TRANSMISIONES:

Tipo	Hydro-Gear EZT ZC-AHBB-2A7B-1DPX
Líquido para maquinaria hidráulica Par motor continuo	Aceite del motor premium 20w 50
Salida	160 Nm (115 lb-pie)
Peso máximo en el eje	154,2 kg (340 lbs)

CHASIS:

Cap. del tanque de combustible	Capacidad: 12,3 Liters (3,25 Galones)
Ruedas traseras	Tamaño del neumático: 18 x 8.5 - 8 Presión de inflado: 0,69 bar-0,83 bar (10-12 psi)
Ruedas delanteras	Tamaño del neumático: 11 x 4 - 5 Presión de inflado: 1,24 - 1,30 bar (18-20 psi)

* Clasificación de Potencia

La clasificación de potencia para un modelo de motor en particular se desarrolla inicialmente comenzando con el código J1940 de SAE (Sociedad de Ingenieros Automotrices) (Procedimiento de Clasificación de Potencia & Torque del Motor Pequeño) (Revisión 2002-05). Dado ambos un amplio conjunto de productos en los cuales son puestos nuestros motores, y la variedad de asuntos ambientales aplicables al operar el equipo, puede que el motor que usted haya comprado no desarrolle la potencia nominal cuando sea usado en una parte del equipo acoplado (potencia real "en-el sitio"). Esta diferencia es debido a una variedad de factores incluyendo, pero no limitándose a, lo siguiente: diferencias en altitud, temperatura, presión barométrica, humedad, combustible, lubricación del motor, máxima velocidad regulada del motor, el motor particular a la variabilidad del motor, diseño de la parte en particular del equipo acoplado, la manera en la cual es operado el motor, el despegue -del motor para reducir la fricción y la limpieza de las cámaras de combustión, los ajustes a las válvulas y al carburador, y otra variedad de factores. Esta clasificación de potencia puede también ser ajustada basándose en comparaciones a otros motores semejantes utilizados en aplicaciones similares, y por lo tanto no se igualarán necesariamente los valores derivados usando los códigos anteriores.

DIAGNÓSTICO

ADVERTENCIA

Para evitar lesiones graves, realice el mantenimiento del tractor o la podadora sólo con el motor apagado y el freno de mano en PARK. Siempre quite la llave del encendido, desconecte el cable de la bujía y sujételo lejos de la bujía antes de empezar con el mantenimiento, para evitar que el motor arranque accidentalmente.

Si lo prefiere, todos estos procedimientos pueden ser ejecutados para usted por un Centro de Partes y Reparaciones de distribuidor.

Diagnóstico del Tractor		
PROBLEMA	CAUSA	REMEDIO
El motor no rota ni arranca.	Las palancas de velocidad de avance no están en START/PARK (arrancar).	Colóquelas en START/PARK (arrancar).
	La cuchilla de la sesgadora está activada.	Desactívela.
	Las palancas de velocidad no están en START/PARK.	Colóquelas en START/PARK (arrancar).
	El ahogador no está en posición de CLOSED.	Mueva el ahogador a la posición de CLOSED.
	El interruptor de encendido no está en START.	Gire el interruptor de encendido a la posición de START.
	No tiene combustible.	Deje enfriar el motor y llene de nuevo el tanque de combustible.
	Motor ahogado.	Coloque el ahogador en posición de OPEN (abierto) cuando dé marcha al motor.
	El combustible está viejo o viciado, o hay agua en el combustible.	Drene el combustible y llene con gasolina fresca. Comuníquese con Piezas y Reparaciones de Sears.
	Batería descargada.	Recargue o reemplace la batería.
	Bujías defectuosas, sucias o con entrehierro incorrecto.	Limpie y ajuste a entrehierro o reemplace.
	Cableado suelto o roto.	Revise el cableado y reemplace los cables rotos o raídos. Apriete las conexiones sueltas.
	Solenoides o motor de arranque defectuosos.	Reemplace. Comuníquese con Piezas y Reparaciones de Sears.
	Interruptor del intercierres defectuoso.	Reemplace. Comuníquese con Piezas y Reparaciones de Sears.
Interruptor del intercierres de seguridad defectuoso.	Reemplace. Contacte Partes y Reparaciones de Sears.	
El motor arranca difícil o no funciona bien.	Filtro de aire obstruido.	Dé servicio al pre-limpiador y/o reemplace el elemento del filtro de aire.
	Ahogador sin colocar en la posición CLOSED (cerrado) durante el arranque del motor, o el ahogador sin colocar en la posición OPEN (abierto) después de que el motor haya arrancado.	Coloque el ahogador en la posición CLOSED (cerrado) durante el arranque del motor. Coloque el ahogador en la posición OPEN (abierto) cuando el motor esté andando. Si el motor está caliente no requerirá ser ahogado.
	Bujía defectuosa, sucia o con entrehierro incorrecto.	Limpie y ajuste a entrehierro o reemplace.
Motor golpetea.	Nivel del aceite bajo.	Verifique/agregue aceite según se requiera.
	Uso de aceite de grado incorrecto.	Vea "Cambiar el Aceite del Motor" en la Sección de Mantenimiento.
Excesivo consumo de aceite.	Motor se calienta demasiado mientras opera.	Limpie el abanico de enfriamiento del motor, la rejilla sopladora y el limpiador de aire.
	Uso de aceite de peso incorrecto.	Vea "Cambiar el Aceite del Motor" en la Sección de Mantenimiento.
	Demasiado aceite en el cárter.	Drene el aceite excedente.
El humo del escape del motor es negro.	Filtro de aire sucio.	Reemplace el filtro de aire. Vea "Reemplazar el Elemento del Filtro de Aire".
	Control del ahogador en posición de cerrado.	Abra el control del ahogador.

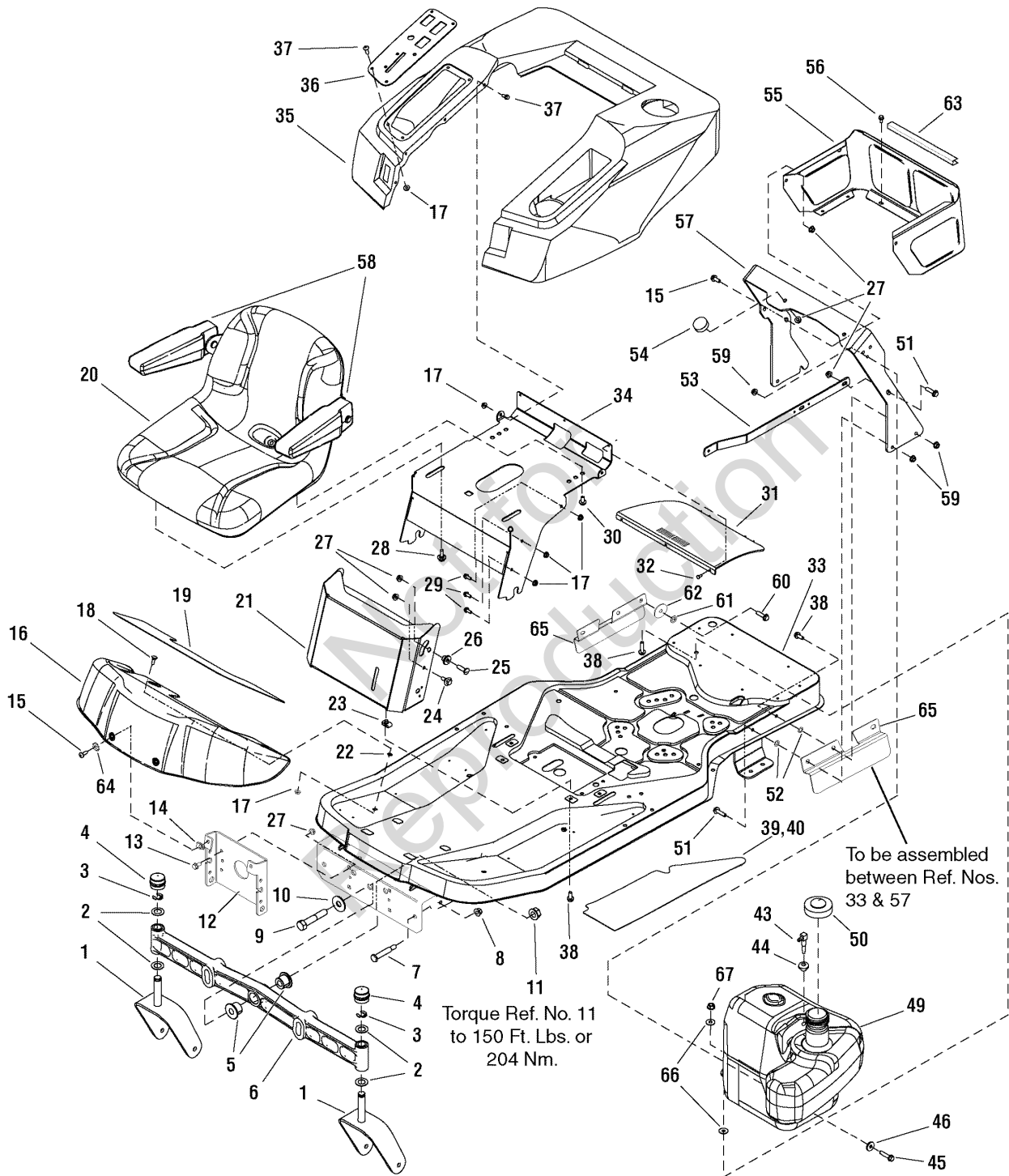
El motor opera pero el tractor no avanza.	Las palancas de desembrague de la transmisión en posición de EMPUJAR.	Mueva las palancas a la posición de DRIVE.
	La banda de tracción se barre.	Limpie o reemplace la banda según sea necesario.
	La banda está rota.	Reemplace banda. Contacte Partes y Reparaciones de Sears.
	Freno de mano no está desaccionado.	Contacte Partes y Reparaciones de Sears.
Banda de tracción se barre.	Poleas o la banda con grasa o aceite.	Limpie según se requiera.
	La banda está estirada o desgastada.	Reemplace banda. Contacte Partes y Reparaciones de Sears.
El freno de mano no se mantiene.	El freno de mano está mal ajustado.	Vea la Sección de Ajustes.
Tractor se direcciona o maneja con deficiencia.	Inflado inadecuado de las llantas.	Vea la Sección de Mantenimiento.
	Acoplamiento de dirección está flojo.	Verifique y apriete las conexiones sueltas.
Tractor estira para un lado.	Las perillas de ajuste de velocidad no están ajustadas.	Vea AJUSTE DE BALANCEO DE VELOCIDAD.

Diagnóstico de la sesgadora		
PROBLEMA	CAUSA	REMEDIO
Es difícil ajustar la altura de corte de la sesgadora.	El tornillo del motor para la altura de corte está sucio o necesita lubricarse.	Limpie a conciencia y lubrique la manivela de altura de corte con aceite.
	Mecanismo para la altura de corte desconectado.	Reconecte el mecanismo para la altura de corte.
El corte de la sesgadora es desigual.	Las llantas del montable no están infladas de manera correcta o uniforme.	Vea la sección de Mantenimiento.
	La sesgadora no está debidamente nivelada.	Vea "Nivelado de la Sesgadora" en Servicio y ajustes.
El corte de la sesgadora es de aspecto tosco.	La velocidad del motor es muy lenta.	Siempre ponga el acelerador en FAST cuando podes el césped.
	La velocidad de avance es muy alta.	Disminuya la velocidad.
	Las cuchillas están desafiladas.	Afile o reemplace las cuchillas. Vea la sección de Mantenimiento.
	La banda de tracción se barre porque tiene aceite o está desgastada.	Limpie o reemplace la banda según sea necesario.
	Las cuchillas no están debidamente afianzadas al árbol de sujeción.	Vea "Revisar/Ajustar Cuchillas de Sesgadora" en la sección de Mantenimiento.
El motor se atasca con facilidad con la sesgadora activada.	La velocidad del motor es muy lenta.	Siempre ponga el acelerador en FAST al podar el césped.
	La velocidad de avance es muy alta.	Disminuya la velocidad.
	La altura de corte es muy baja.	Corte el césped alto con la altura máxima de corte en la primera pasada.
	Lado inferior de la cubierta está sucio.	Quite la cubierta de la sesgadora y limpie el lado inferior.
	La tolva de expulsión se atasca con la hierba cortada.	Corte el césped con la expulsión apuntando hacia el área anteriormente cortada.
Vibración excesiva de la sesgadora.	Pernos de montaje de las cuchillas flojos.	Apriete a 61-75 Nm (45-55 ft-lbs).
	Las cuchillas, árboles de sujeción o poleas están doblados.	Revise y reemplace según sea necesario.
	Las cuchillas de la sesgadora están fuera de equilibrio.	Reemplace o equilibre las cuchillas. Vea la sección de Mantenimiento.
	Banda instalada incorrectamente.	Reinstale correctamente.
La banda de tracción de la sesgadora se barre o no impulsa.	El resorte de la polea tensora está roto o no está debidamente fijo.	Repare o reemplace según sea necesario.
	La banda de tracción está rota.	Reemplace la banda de tracción.
	Embrague del PTO fuera de ajuste.	Ajuste el embrague del PTO. Vea la sección de Mantenimiento.

Repair Parts

Not for
Reproduction

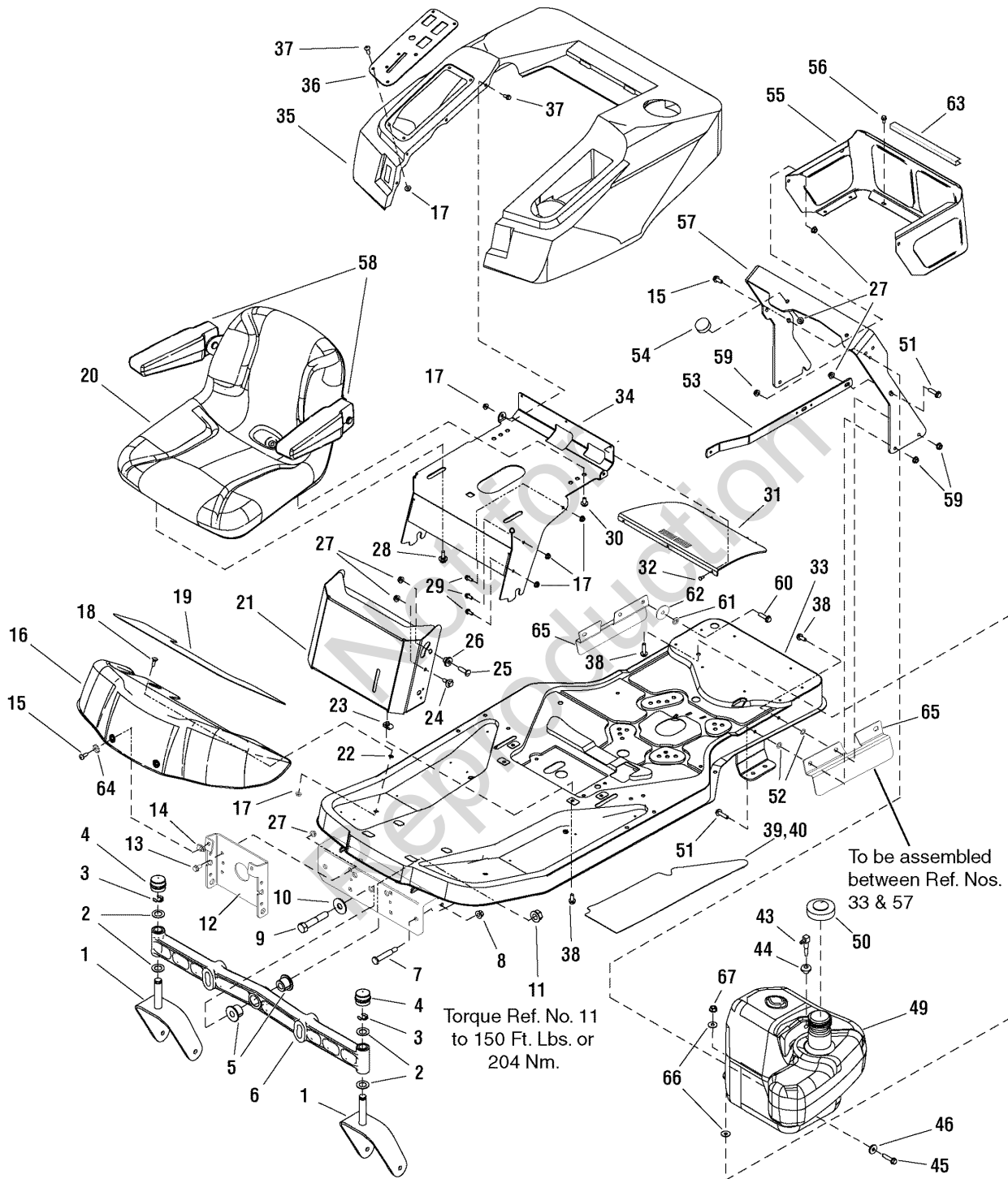
NOTE: Unless noted otherwise,
use the standard hardware torque
specification chart.



REF NO	PART NO.	QTY.	DESCRIPTION
1	1733448ASM	2	CASTER ASSEMBLY
2	1960160SM	4	WASHER, 3/4 ID x 1.6 OD x .05 THK
3	1611710SM	2	RING, Klipring, 3/4
4	1734135SM	2	CAP, Hub
5	1730186SM	2	BUSHING, Axle Pivot
6	1733426ASM	1	AXLE, Casting (Includes Ref. Nos. 1, 2, 3, 4 & 5)
7	1733571SM	2	BOLT, Shoulder, G5
8	1960687SM	3	NUT, Hex Flange, 3/8-16 ESNA
9	2860744SM	1	CAPSCREW, Hex Head, 5/8-11 x 3-1/4, G5
10	1960035SM	1	WASHER, 5/8, .64 ID x 1-3/4 OD x .11 THK
11	2860646SM	1	NUT, Hex Flange Two-Way Lock, 5/8-11
12	1737339AYP	1	BRACKET, Front Footrest Support
13	1931334SM	4	BOLT, Hex Head Taptite, 5/16-18 x 5/8
14	1960368SM	2	NUT, Speed Lug Type, 1/4-20
15	1921333SM	1	CAPSCREW, Hex Head, 5/16 - 18 x 1
16	1726025BNYP	1	FRONT FOOTREST Sears 6000 Craftsman Red
17	1960694SM	14	NUT, Hex Flange, 1/4-20 ESNA
18	1931317SM	2	CARRIAGE BOLT, 1/4-20 x 3/4, G5
19	1726306SM	1	PAD, Footrest Panel
20	1726018SM	1	SEAT ASSEMBLY, with Armrests
21	7300752AYP	1	PANEL, Front - Manual Brake and Deck Lift
22	1960518SM	2	NUT, Push, 1/4
23	1935255SM	4	NUT, Speed Lug Type, 5/16-18
24	009X67MA	2	BOLT, Shoulder
25	1960223SM	2	CARRIAGE BOLT, 5/16-18 x 1-1/4, G5
26	1728086SM	2	PIVOT, Hood, Powdered Metal
27	1931277SM	8	NUT, Hex Flange Whiz Lock, 5/16-18
28	1716654SM	2	BOLT, Shoulder, G5
29	1960295SM	6	SCREW, Hex Whiz Lock Flange, 1/4-20 x 5/8
30	1960738SM	2	SCREW, Hex Flange Whiz Lock, 5/16-18 x 3/4 Dog PT
31	7102141SM	1	SCREEN, Seat Deck
32	1673320SM	3	RIVET, Pop
33	1733227ASM	1	FRAME ASSEMBLY
34	1733965ASM	1	SUPPORT, Seat
35	7102654YP	1	SEAT DECK, Plastic Sears Craftsman Red ZTS
36	7301055BMYP	1	PLATE, Control
37	1960715SM	6	SCREW, Truss Head Torx, 1/4-20 x 3/4
38	7091591SM	5	SCREW, Hex Whiz Lock Flange, 5/16-18 x 3/4
39	1728986SM	1	PAD, Footrest R.H.
40	1728987SM	1	PAD, Footrest L.H.
43	1674792SM	1	ELBOW, Gas Tank

Footnotes

NOTE: Unless noted otherwise,
use the standard hardware torque
specification chart.

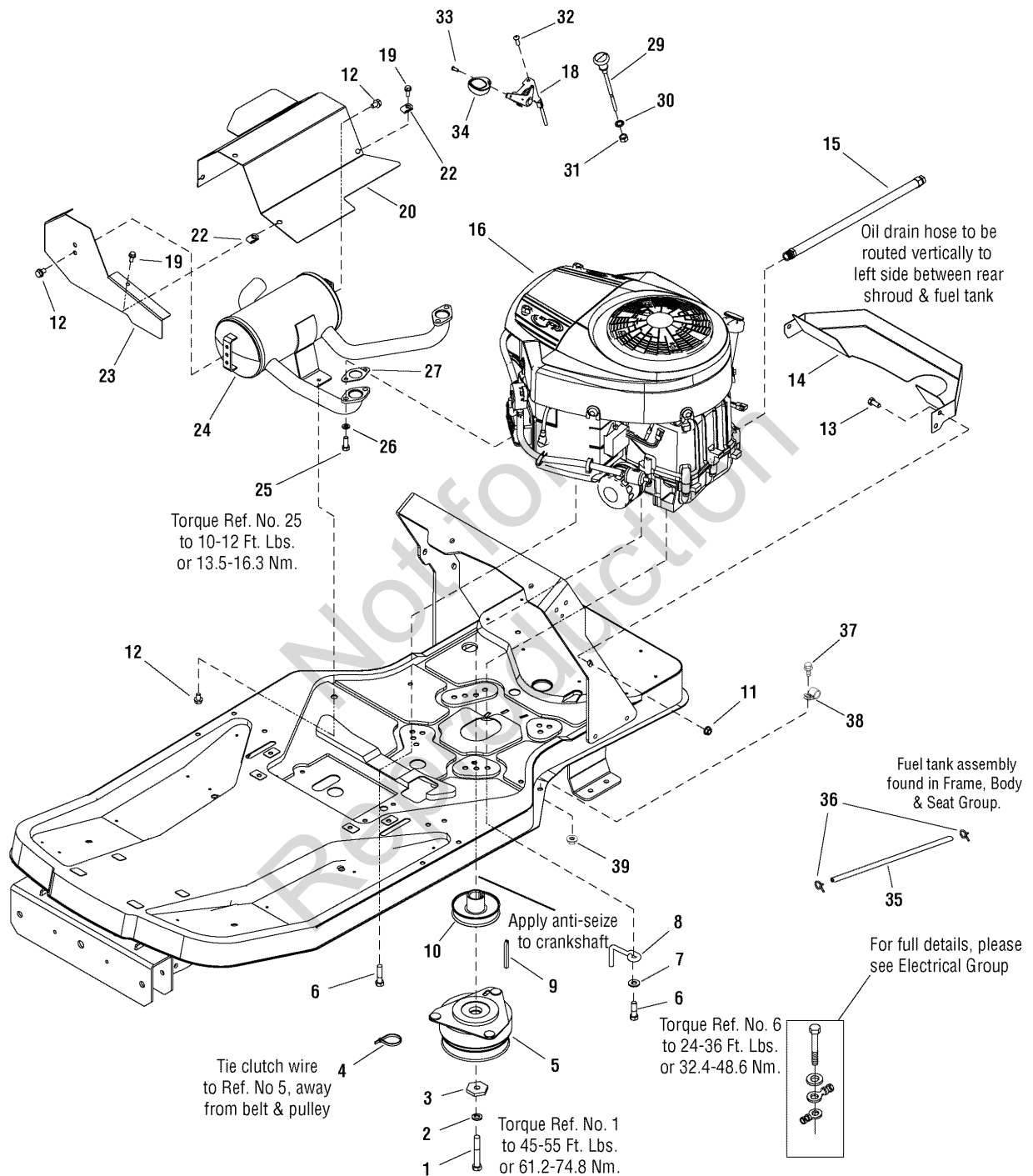


REF NO	PART NO.	QTY.	DESCRIPTION
44	1726400SM	1	BUSHING, Fuel
45	1921221SM	1	CAPSCREW, 5/16, 18 x 1-1/2
46	1919381SM	1	WASHER, 5/16, .34 ID x 1 OD x .13 THK
47	7090189SM	1	LOCKWASHER, External Tooth, 3/8
48	7024340SM	1	SPACER
49	7102860YP	1	TANK, Fuel
50	1734320SM	1	CAP, Fuel Tank
51	1921977SM	5	CAPSCREW, Hex Head, 5/16-18 x 1-1/4, G5
52	1933988SM	4	NUT, Push Pal, 5/16 DIA Thread, 5/8 OD
53	1727810ASM	1	BRACE, Tank
54	1726390SM	2	BUMPER, Rubber
55	1715962ASM	1	SHROUD, Rear
56	1925003SM	6	SCREW, Hex Washer Head Taptite, 1/4-20 x 1/2
57	1733393ASM	1	SUPPORT, Seat Deck
58	1687021SM	1	ARM REST KIT, L.H. & R.H.
59	1960686SM	9	NUT, Hex Flange Nylock, 5/16-18
60	1920415SM	1	CAPSCREW, 3/8 - 16 x 1-1/4
61	1931942SM	1	NUT, Push Pal, 3/8
62	1960534SM	1	WASHER, 3/8
63	7070814SM	1	TRIM, 8"
64	1921880SM	2	WASHER, External Tooth, 1/4
65	1734392ASM	2	GUARD, Debris
66	1924940SM	2	WASHER, 3/8
67	1930645SM	1	NUT, Hex Flange Two-Way Lock, 3/8-16

Not for
Reproduction

Footnotes

NOTE: Unless noted otherwise,
use the standard hardware torque
specification chart.

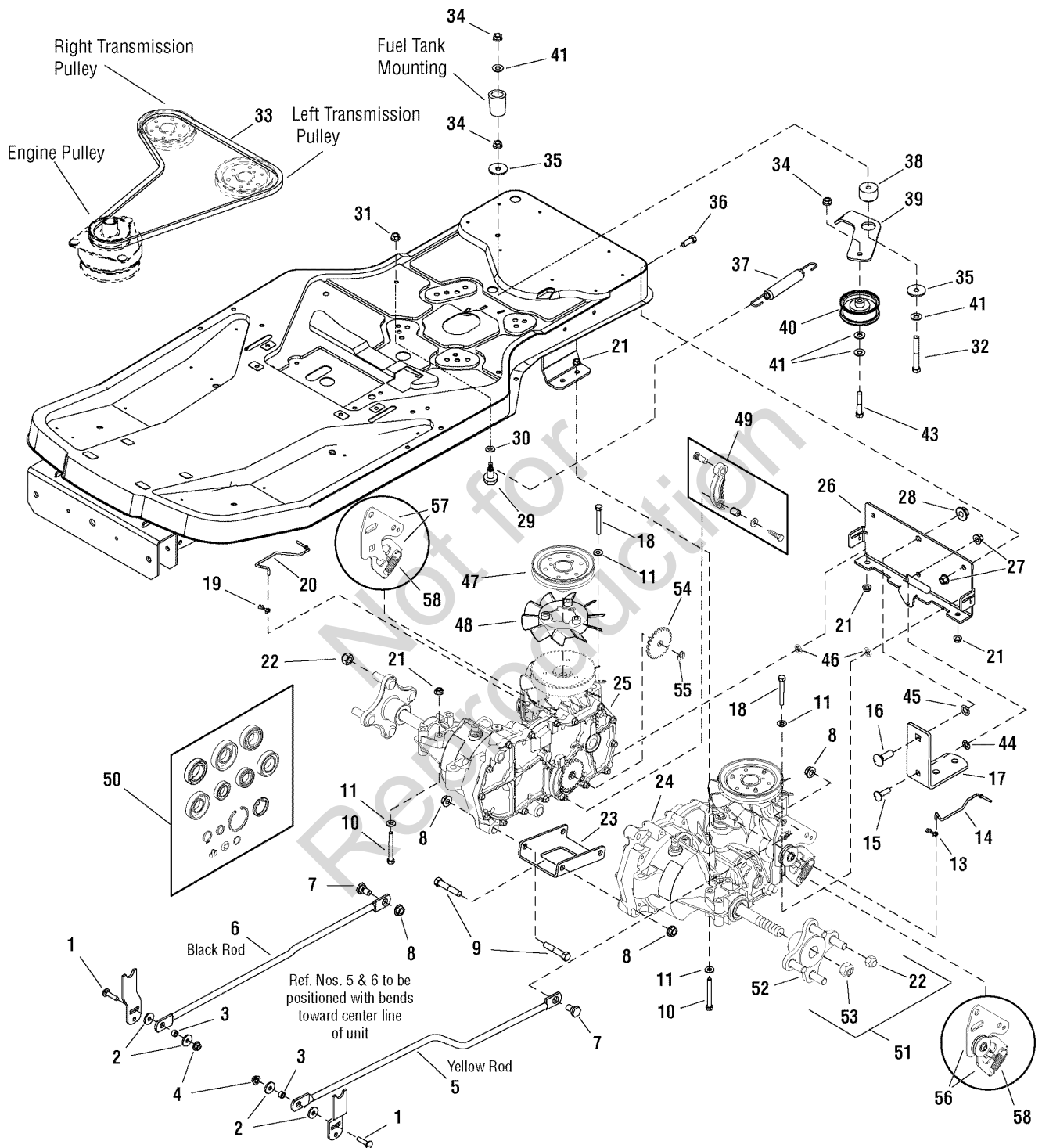


REF NO	PART NO.	QTY.	DESCRIPTION
1	7027266SM	1	CAPSCREW, Hex Head, 7/16-20 x 2-3/4, G5
2	1918199SM	1	LOCKWASHER, Spring
3	1708264SM	1	WASHER, Hex, 7/16
4	2832747SM	1	TIE, Self-Locking, 3.62"
5	1686880SM	1	CLUTCH, Electric Ogura
6	2828635SM	4	SCREW, Hex Washer Head Taptite, 3/8-16 x 1-1/4
7	1924940SM	1	WASHER, 3/8
8	7101717SM	1	RETAINER, Clutch
9	2154096SM	1	KEY
10	7101716SM	1	PULLEY ASSEMBLY, Engine
11	1931277SM	2	NUT, Hex Whiz Lock Flange, 5/16-18
12	1924856SM	4	SCREW, Hex Washer Head Taptite, 5/16-18 x 1/2
13	1921332SM	2	CAPSCREW, Hex Head, 5/16-18 x 3/4, G5
14	7300970ASM	1	AIR DUCT, Inlet
15	1726498SM	1	HOSE, Oil Drain, 16.5"
16	SV735-0018	1	ENGINE, 26HP Kohler, V-Twin Courage (Model - SV735, Type - 0018)
18	7075449SM	1	THROTTLE ASSEMBLY
19	1960295SM	5	SCREW, Hex Whiz Lock Flange, 1/4-20 x 5/8
20	7300971ASM	1	HEAT SHIELD, Muffler Top
22	1960368SM	5	NUT, Speed, 1/4-20
23	1727939ASM	1	HEAT SHIELD, Muffler Side
24	7102318SM	1	MUFFLER, 26HP Kohler V-Twin Courage
25	1936228SM	4	CAPSCREW, Hex Head, 5/16-18 x 3/4, G8
26	1917356SM	4	LOCKWASHER, Spring, 5/16
27	1731214SM	2	GASKET, Exhaust
29	7102344SM	1	CABLE, Choke
30	7090390SM	1	WASHER, Lock Internal Tooth, 3/8
31	7091630SM	1	NUT, Hex, 3/8
32	7090999SM	2	SCREW, Taptite Pan Head Torx, 1/4-20 x 5/8
33	7091195SM	1	SCREW, Taptite Pan Head Combo, #10-16 x 3/4
34	7100529SM	1	KNOB, Throttle
35	1735196SM	1	HOSE, Fuel, 24" (See Frame, Body & Seat Group for fuel tank assembly.)
36	7029900SM	2	CLAMP, Hose
37	1930591SM	1	CAPSCREW, Hex Head 5/16-18 x 3/4
38	7900020SM	1	CLIP, Harness
39	1931277SM	1	NUT, Hex Whiz Lock Flange, 5/16-18

Footnotes

Note *See your local Kohler Distributor for parts and service

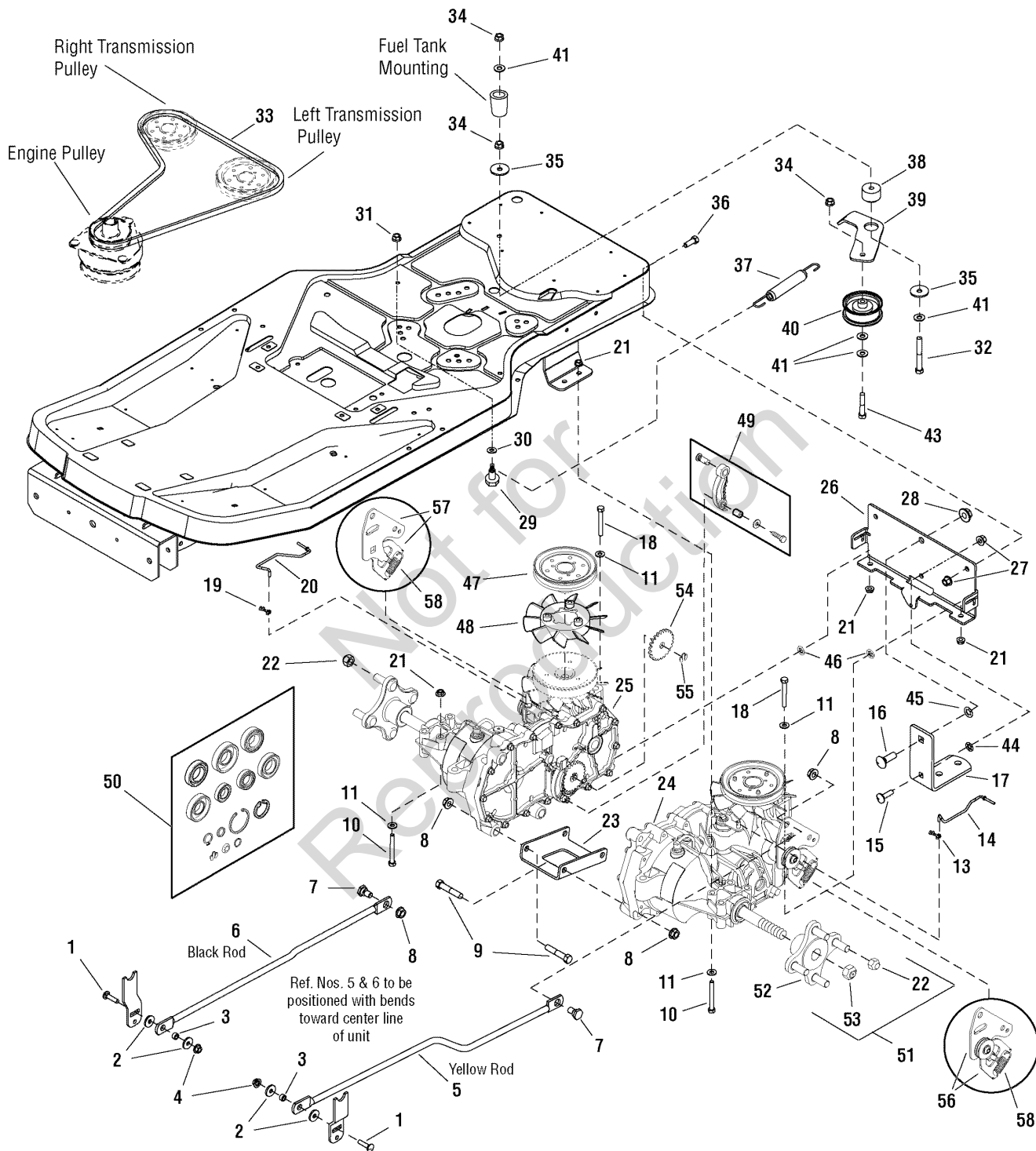
NOTE: Unless noted otherwise,
use the standard hardware torque
specification chart.



REF NO	PART NO.	QTY.	DESCRIPTION
1	1960223SM	2	CARRIAGE BOLT, 5/16-18 x 1-1/4, G5
2	1919381SM	4	WASHER, .34 ID x 1 OD x .13 THK
3	1703900SM	2	SPACER
4	1960684SM	2	NUT, Hex Keps, 5/16-18
5	1727555SM	1	ROD, Control L.H.
6	1727556SM	1	ROD, Control R.H.
7	1727831SM	2	BOLT, Shoulder
8	1930650SM	6	NUT, Hex Flange Two-Way Lock, 7/16-14
9	1927120SM	4	CAPSCREW, Hex Head, 7/16-14 x 2-1/4, G8
10	1923141SM	4	CAPSCREW, Hex Head, 5/16-18 x 2-3/4, G5
11	1919326SM	6	WASHER, .34 ID x 3/4 OD x .06 THK
13	1717024SM	1	CLIP, Rod End Linkage
14	1733913SM	1	ROD, Tow Valve L.H.
15	1960268SM	1	CARRIAGE BOLT, 3/8-16 x 1-1/4, G5
16	1960758SM	1	CARRIAGE BOLT, 1/2-13 x 1-1/2, G5
17	1733305ASM	1	DRAWBAR
18	1921719SM	2	CAPSCREW, Hex Head, 5/16-18 x 2-1/2, G5
19	1725550SM	1	CLIP, Rod End Linkage
20	1733914SM	1	ROD, Tow Valve R.H.
21	1931277SM	6	NUT, Hex Flange Whiz Lock, 5/16-18
22	5020601SM	8	NUT, Wheel Hex, 1/2-20
23	1733309ASM	1	SUPPORT, Transmission Center
24	1733351SM	1	TRANSMISSION, Hydro Gear EZT L.H.
25	1733352SM	1	TRANSMISSION, Hydro Gear EZT R.H.
26	1733302ASM	1	SUPPORT, Transmission Rear
27	1960687SM	3	NUT, Hex Flange, 3/8-16 ESNA
28	5025396SM	1	NUT, Hex Flange, 1/2-13
29	1728976SM	1	BOLT, Shoulder
30	1924874SM	1	WASHER, .34 ID x .87 OD x .06 THK
31	1927557SM	1	NUT, Hex Flange, 5/16-18
32	7091501SM	1	CAPSCREW, 3/8-16 x 2-1/2 Hex Head, GR5
33	1732224SM	1	V-BELT, Transmission Drive, 54.4
34	1930645SM	3	NUT, Hex Flange Two-Way Lock, 3/8-16
35	1924356SM	2	WASHER, .41 ID x 1-1/2 OD x .12 THK
36	1921210SM	2	CAPSCREW, Hex Head, 3/8-16 x 1, G5
37	1734316SM	1	SPRING, Extension
38	1729007SM	1	SPACER, Powdered Metal
39	1733303ASM	1	ARM, Idler
40	1721133SM	1	PULLEY, Idler Flat
41	1924940SM	5	WASHER, .41 ID x .87 OD x .08 THK
43	1923701SM	1	CAPSCREW, Hex Head, 3/8-16 x 2, G5
44	1931942SM	1	NUT, Push Pal, 3/8
45	1960759SM	1	NUT, Push Pal, 1/2

Footnotes

NOTE: Unless noted otherwise, use the standard hardware torque specification chart.

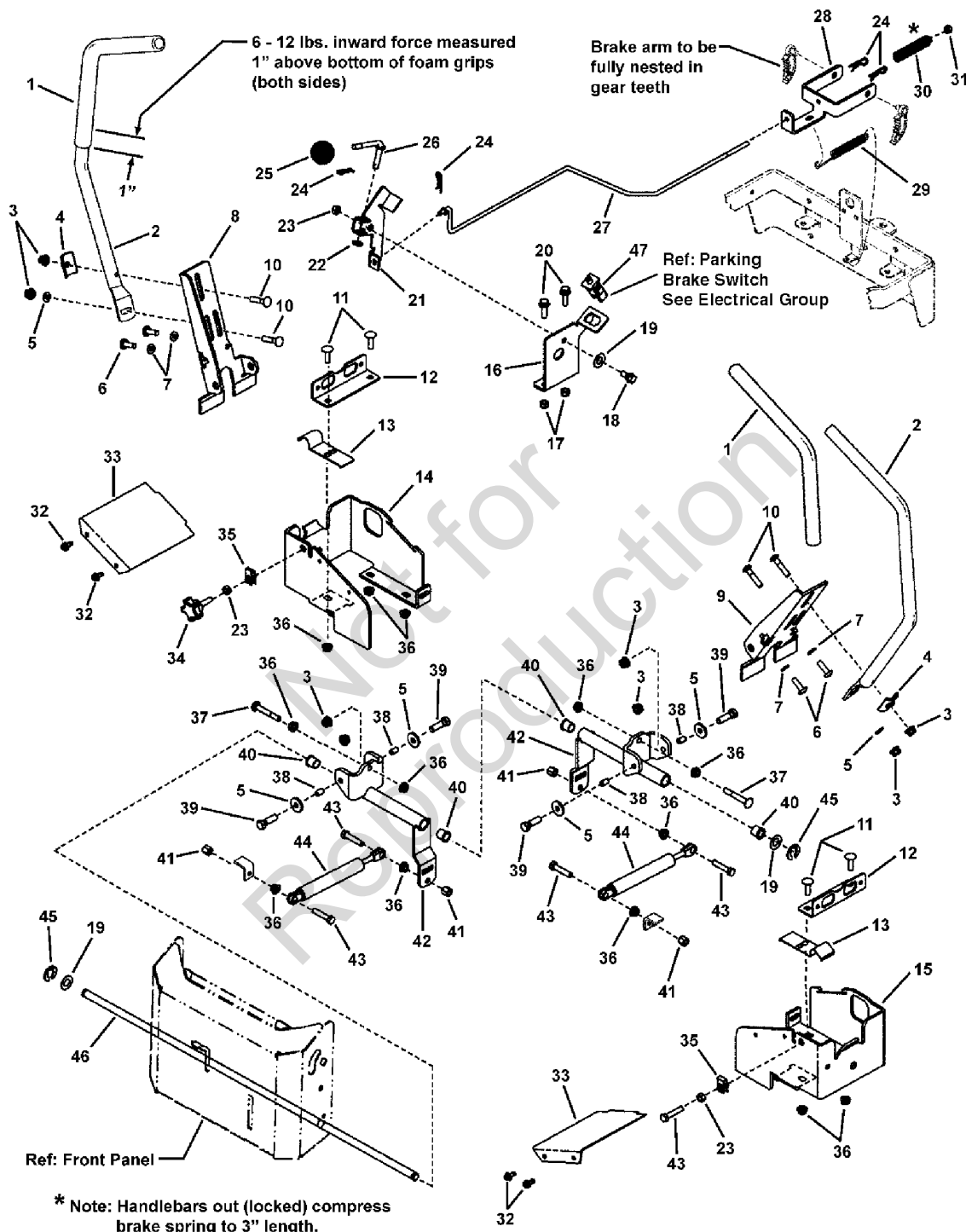


REF NO	PART NO.	QTY.	DESCRIPTION
46	1933988SM	2	NUT, Push Pal, 5/16
47	1728073SM	2	PULLEY, 4-1/2" Transmission
48	1728074SM	2	FAN, 6" Transmission
49	1728075SM	1	PARKING BRAKE ARM ASSEMBLY, Transmission
50	1728060SM	1	HYDRO SEAL KIT
51	1687329SM	2	HUB REPLACEMENT KIT (Includes Ref. Nos. 52 & 53)
52	--	2	HUB, EZT Transmission (Included in Ref. No. 51)
53	--	2	NUT, EZT Transmission (Included in Ref. No. 51)
54	1728076SM	1	GEAR, Parking Brake, Transmission
55	1716622SM	1	CLIP, E Transmission Parking Brake
56	1735490SM	1	ARM, Control Kit L.H.
57	1735491SM	1	ARM, Control Kit R.H.
58	1735483SM	2	SPRING, Extension (Used only on Hydro Gear P/N ZC-AHBB-2A7B-1DPX and ZC-DHBB-2A7C-1DPX)
58	1735482SM	2	SPRING, Extension (Used only on Hydro Gear P/N ZC-AHBB-2ADB-1DPX and ZC-DHBB-2ADC-1DPX)

Not for
Reproduction

Footnotes

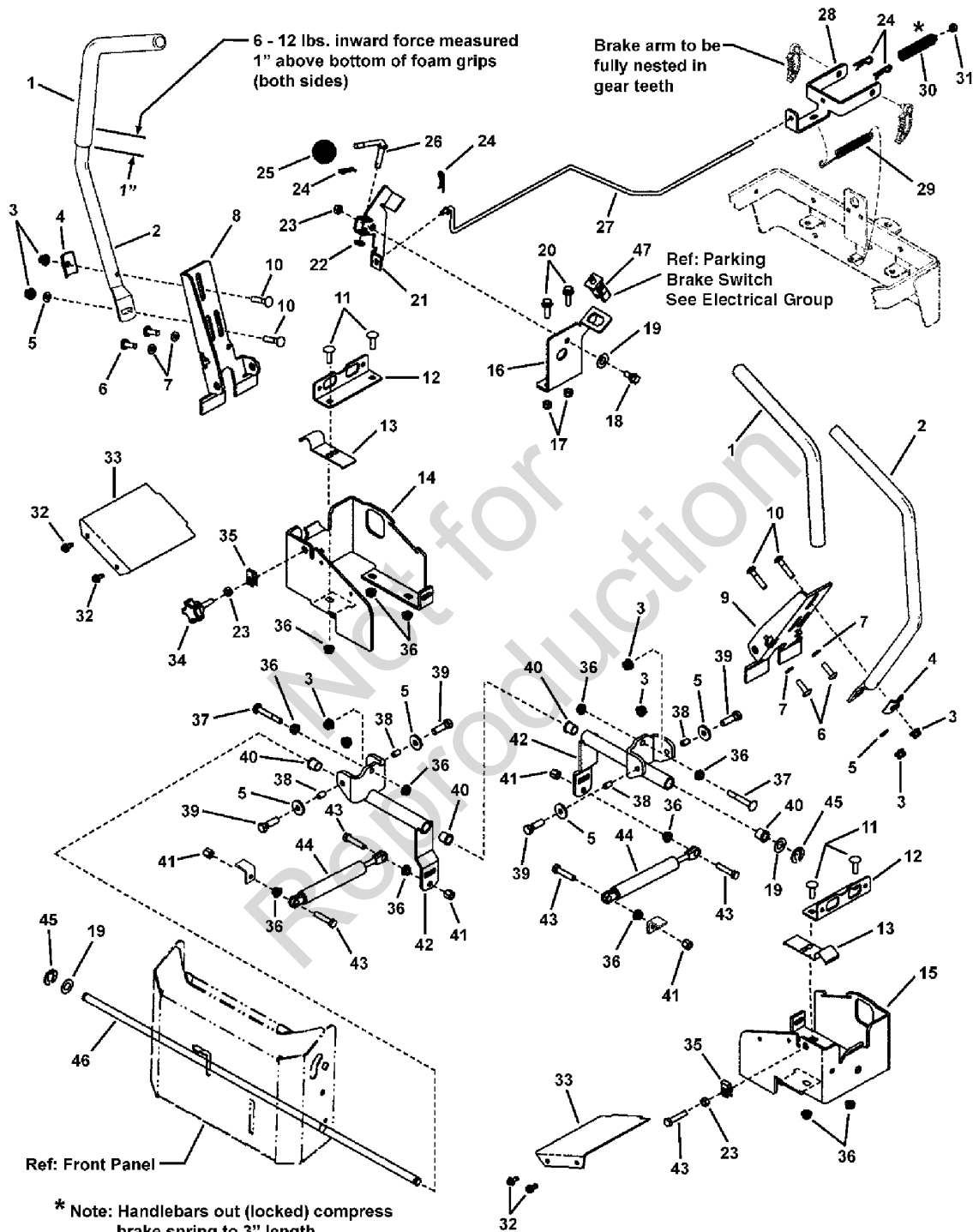
NOTE: Unless noted otherwise, use the standard hardware torque specification chart.



REF NO	PART NO.	QTY.	DESCRIPTION
1	1726410SM	2	GRIP, Foam Handle Bar
2	1727796ASM	2	TUBE, Handle
3	1960686SM	10	NUT, Hex Flange, Nylock, 5/16-18
4	1720452SM	2	CLAMP, Tube, Saddle
5	1919381SM	6	WASHER, Flat, 5/16
6	1960086SM	4	SCREW, Truss Head Torx, 5/16-18 x 7/8
7	1917356SM	4	LOCKWASHER, Spring 5/16
8	1727926ASM	1	BRACKET, Tube Mount LH
9	1727927ASM	1	BRACKET, Tube Mount RH
10	1931338SM	4	BOLT, Carriage, 5/16-18 x 1-3/4
11	1931335SM	4	BOLT, Carriage, 5/16-18 x 1, GR5
12	1727663ASM	2	BRACKET, "L" Switch
13	1727919SM	2	CLIP, Brake
14	1728010ASM	1	BRACKET, Mounting Handle Pivot, RH
15	1728009ASM	1	BRACKET, Mounting Handle Pivot, LH
16	7300992AYP	1	BRACKET, Brake Pivot- ZT
17	7091298YP	3	NUT, Hex Nylock, 5/16-18-3B
18	7015761YP	1	BOLT, Shoulder, 5/16-18
19	1960027SM	3	WASHER, Flat, 1/2
20	7091591SM	2	BOLT, Hex Flange Lock, 5/16-18 x 1
21	7300993AYP	1	ARM, Brake Pivot- ZT
22	7090188SM	1	WASHER, Flat, .34 x .69 x .08
23	1920161SM	7	NUT, Hex Jam, 5/16-18
24	1722460SM	4	HAIR PIN
25	7072403YP	1	KNOB, w/5/16-18 NILN (Brake/Clutch)
26	7102567YP	1	ROD, Park Brake- ZT (5/16-18 thread)
27	7102551YP	1	ROD, Manual Parking Brake (1/4-20 threads)
28	1727814ASM	1	BRACKET, Dual Brake
29	1709314SM	1	SPRING, Extension
30	1729277SM	1	SPRING, Compression
31	1960694SM	1	NUT, Hex Flange Nylock, 1/4-20
32	1925003SM	4	CASCREW, Hex Washer Head, Taptite, 1/4-20 x 1/2
33	1727933ASM	2	COVER, Lower Handle
34	1726839SM	1	KNOB, 5/16-18 x 1-1/4" Extension Thread
35	1960717SM	2	NUT, 5/16-18 Speed (Lug Type .050/.200, Black)
36	1931277SM	8	NUT, 5/16-18 Hex Flange Lock, Small - Black
37	1960723SM	2	BOLT, Carriage, 5/16-18 x 2-1/4, GR5
38	1666697SM	4	SPACER, Powdered Metal
39	1921977SM	5	CAPSCREW, Hex Head, 5/16-18 x 1-1/4, GR5
40	1715025SM	4	BUSHING
41	1919438SM	4	NUT, Hex Lock, ESNA Light, 5/16-18
42	1727603ASM	2	PIVOT CONTROL
43	1921221SM	4	CAPSCREW, Hex Head, 5/16-18 x 1-1/2, GR5

Footnotes

NOTE: Unless noted otherwise, use the standard hardware torque specification chart.

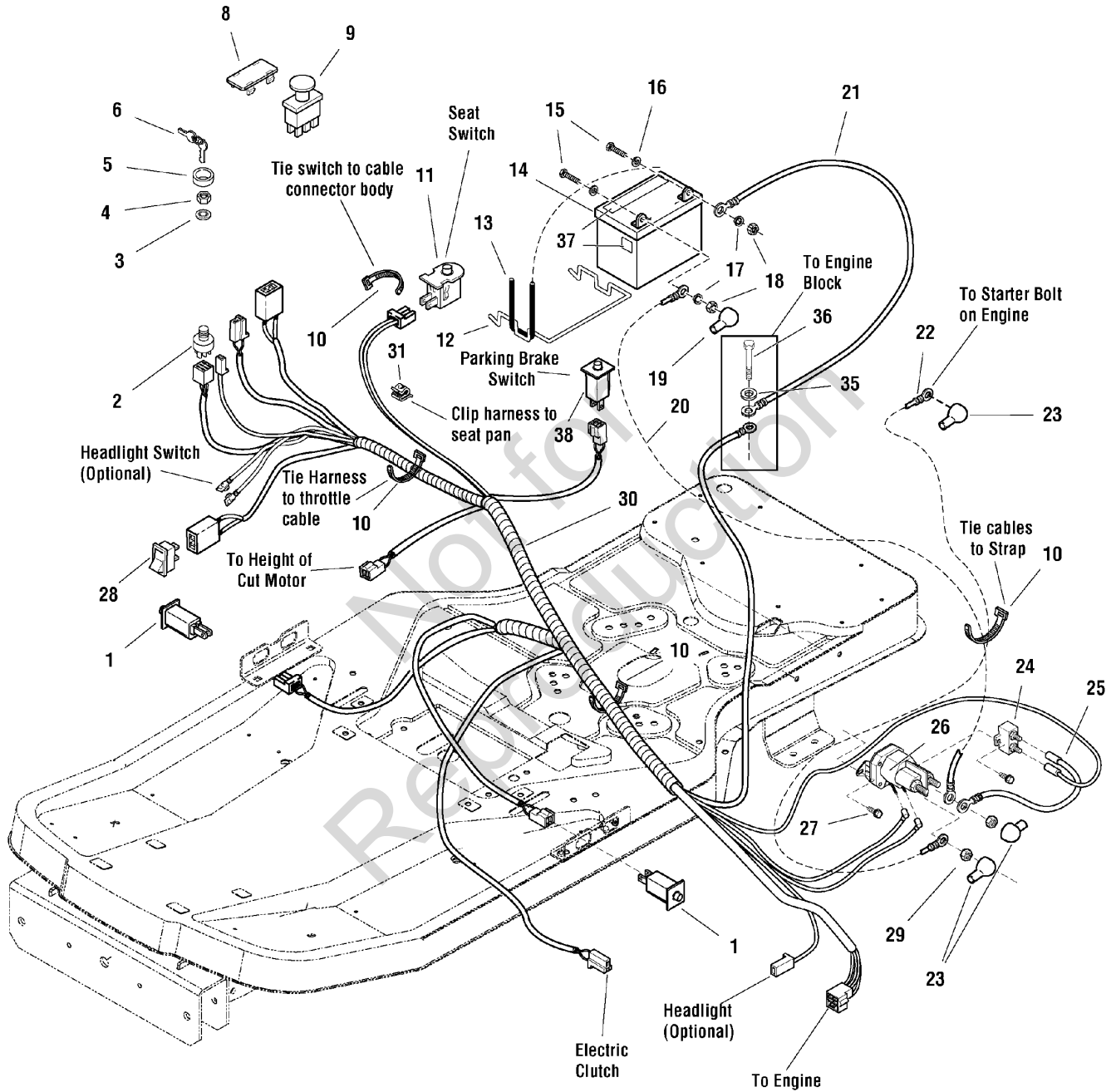


REF NO	PART NO.	QTY.	DESCRIPTION
44	1727918SM	2	SHOCK ABSORBER
45	1703805SM	2	RING, Klipring Extension (for .500 Dia. Shaft)
46	1725927SM	1	SHAFT, Cross
47	7022886YP	1	SWITCH, Push Button (Parking Brake Switch)

Not for
Reproduction

Footnotes

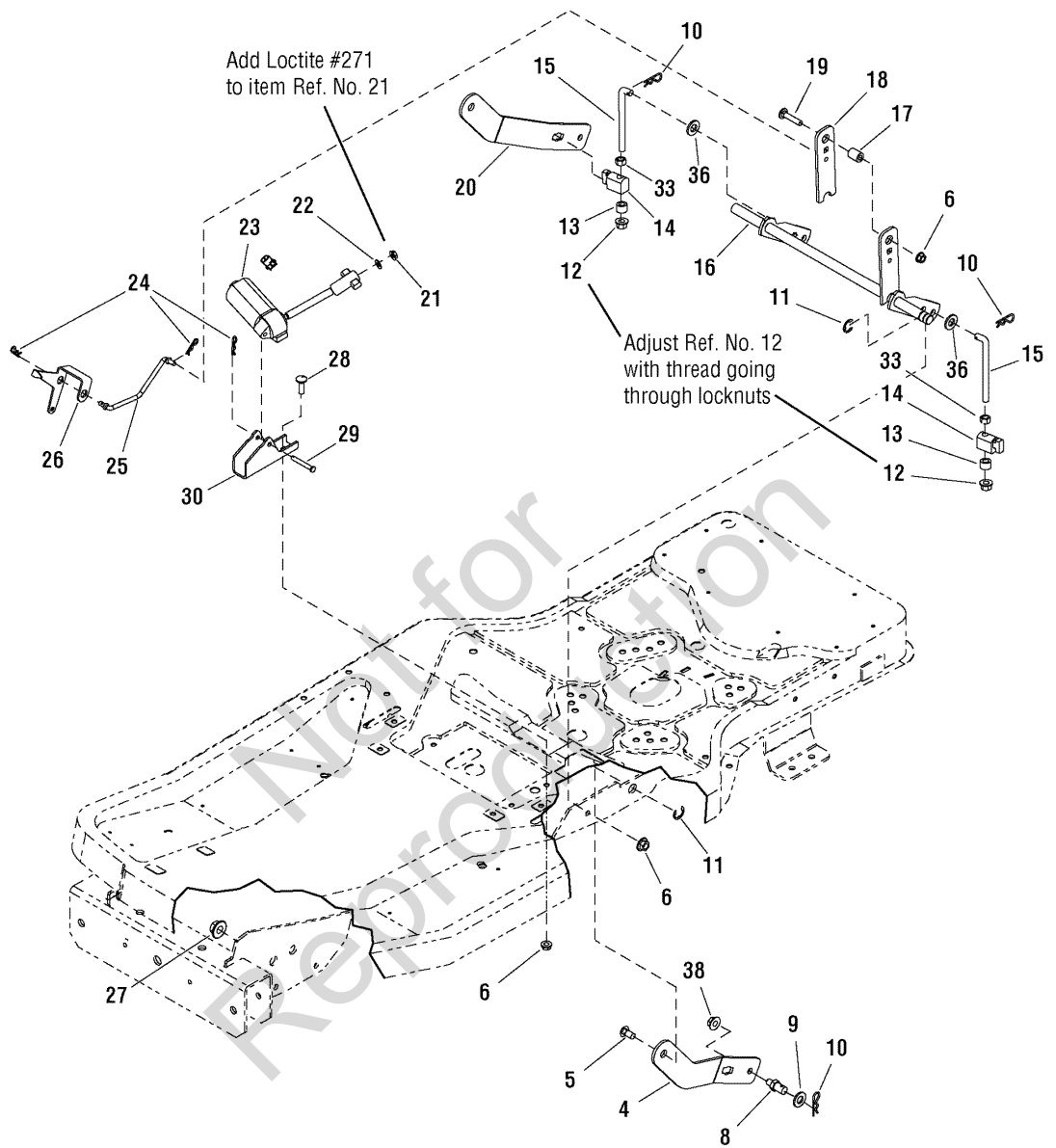
NOTE: Unless noted otherwise, use the standard hardware torque specification chart.



REF NO	PART NO.	QTY.	DESCRIPTION
1	7022886YP	2	SWITCH, Push Button (Handle Switches)
2	1686734SM	1	SWITCH ASSEMBLY, Ignition, 5/8-32 6 Pin Indak (Includes Ref. Nos. 20, 21, 26, & 37)
3	1960547SM	1	LOCKWASHER, Internal Tooth, 5/8 Thin
4	1717549SM	1	NUT, Hex Flange, 5/8-32 IGN SW Die Cast
5	1717550SM	1	COVER, Ignition Switch
6	1717163SM	2	KEYS (Set of Two)
8	1722611SM	1	PLUG, Hole
9	1722887SM	1	SWITCH, PTO Push/Pull Symbols
10	1701011SM	4	TIE, Self Locking, .184 WD 7.31 LG
11	7023354YP	1	SWITCH, Push Button
12	1667805SM	1	BRACE, Battery, .19 DIA Wire
13	1665872SM	1	STRAP, Black Rubber, .19 SQ 7.88 OD Battery
14	1685215SM	1	BATTERY, 12 Volt 6 Cell 340CCA
15	2823341SM	2	CAPSCREW, Hex Head, 1/4-20 x 3/4, G5
16	2821319SM	2	WASHER, 1/4, .27 ID x .62 OD x .05 THK
17	2816964SM	2	LOCKWASHER, Spring, 1/4
18	2816622SM	2	NUT, Hex, 1/4-20 NC-2B
19	1677296SM	1	BOOT, Insulator, Red PVC Warning
20	1716549SM	1	CABLE, # 6 x 10 LG, Red Two-Ring Terminals
21	7045310SM	1	CABLE, 15.0 LG, Two-Ring Terminals
22	1727668SM	1	CABLE, # 6 x 15 LG, Two-Ring Terminals
23	1724588SM	3	COVER, Terminal Red PVC
24	1665238SM	1	BREAKER, Circuit, 12 Volt 20 AMP
25	1665237SM	1	WIRE, 12 Gauge, 7.9 LG
26	7075622SM	1	SOLENOID, Two Terminals, Trombetta
27	1925003SM	2	SCREW, Hex Washer Head Taptite, 1/4-20 x 1/2
28	1734141SM	1	SWITCH, Electric Height of Cut
29	2860750SM	2	NUT, Hex Keps, 5/16-24
30	7103103YP	1	HARNESS, Wiring
31	2172434SM	1	CABLE, Clip
35	7091294SM	1	WASHER, 5/16, .34 ID x 3/4 OD x .06 THK
36	7090539YP	1	SCREW, 1/4-20 x 1/2" Hex Washer Self-Tap
37	1734375SM	1	DECAL, Diehard
38	7022886YP	1	SWITCH, Push Button (Parking Brake Switch)

Footnotes

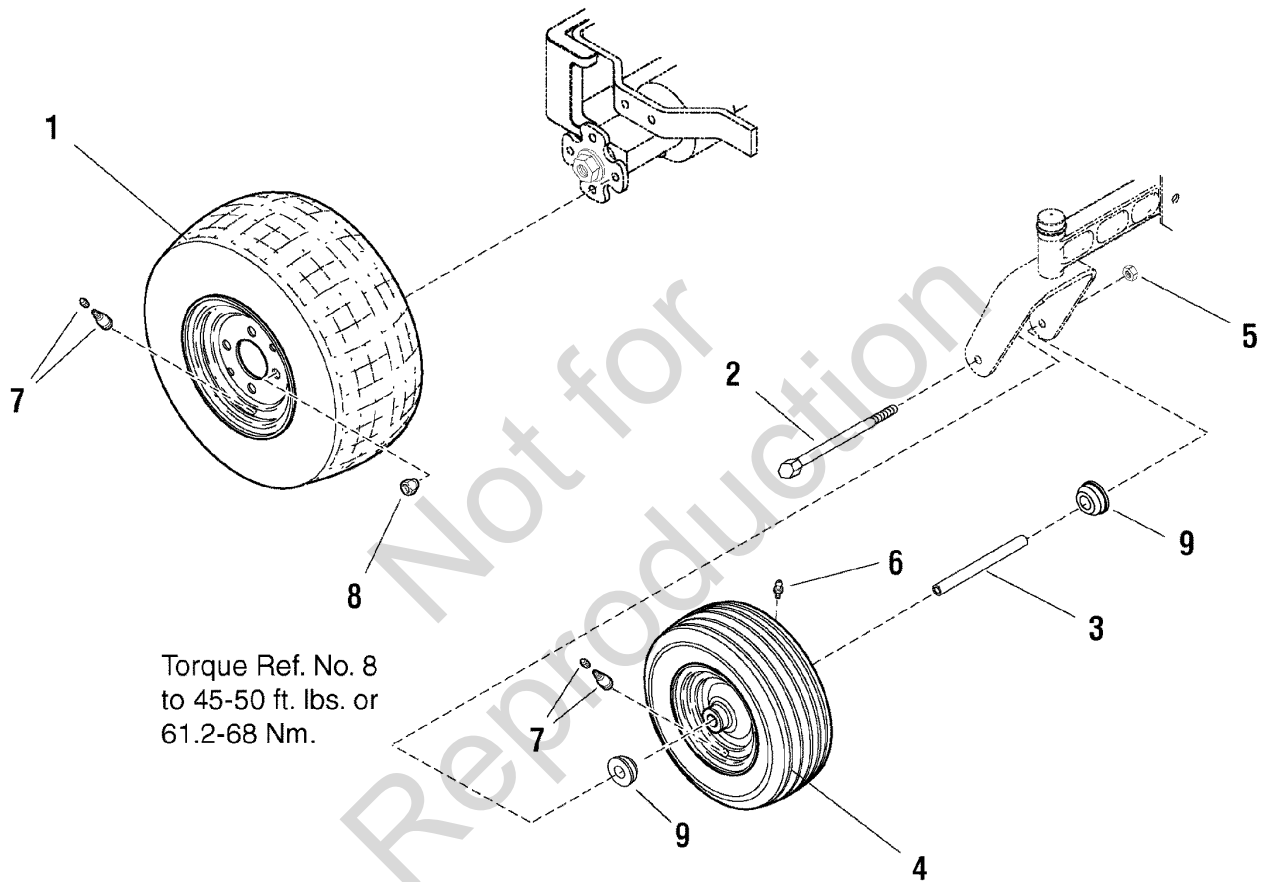
NOTE: Unless noted otherwise,
use the standard hardware torque
specification chart.



REF NO	PART NO.	QTY.	DESCRIPTION
4	1733535ASM	1	ARM, Mower Lift L.H.
5	009X67MA	2	BOLT, Shoulder
6	1931277SM	5	NUT, Hex Whiz Lock Flange, 5/16-18
8	094067MA	2	PIN, Threaded Shoulder
9	1960170SM	2	WASHER, 1/2"
10	1960074SM	4	CLIP, Hair Pin
11	1704420SM	2	RING, Klipring, 5/8"
12	1960687SM	2	NUT, Hex Flange, 3/8-16 ESNA
13	1666294SM	2	SPACER
14	1731894SM	2	TRUNNION
15	1734217SM	2	ROD, Mower Lift 3/8-16 x 1 LG Thread
16	1733356ASM	1	LIFT SHAFT ASSEMBLY
17	1673796SM	1	SPACER, Powdered Metal
18	1734336ASM	1	ARM, Lift Trunnion
19	1931337SM	1	CARRIAGE BOLT, 5/16-18 x 1-1/2, G5
20	1733536ASM	1	ARM, Mower Lift R.H.
21	1960757SM	1	NUT, Hex, 1/4-20 L.H. Thread
22	1921319SM	1	WASHER, 1/4"
23	1733513SM	1	MOTOR, Mini Actuator
24	1722460SM	3	PIN, Quick
25	1733572SM	1	ROD, Height of Cut Indicator
26	1733454SM	1	INDICATOR, Height of Cut
27	1930644SM	2	NUT, Hex Two-Way Lock, 1/2-13
28	1931335SM	1	CARRIAGE BOLT, 5/16-18 x 1, G5
29	1668344SM	1	PIN, Shear
30	1733533ASM	1	BRACKET, Electric Motor Mount
33	1916950SM	2	NUT, Hex 3/8 - 16
36	1924940SM	2	WASHER, 3/8
38	1930645SM	2	NUT, Hex Two-Way Lock Flange, 3/8 - 16

Footnotes

NOTE: Unless noted otherwise,
use the standard hardware torque
specification chart.



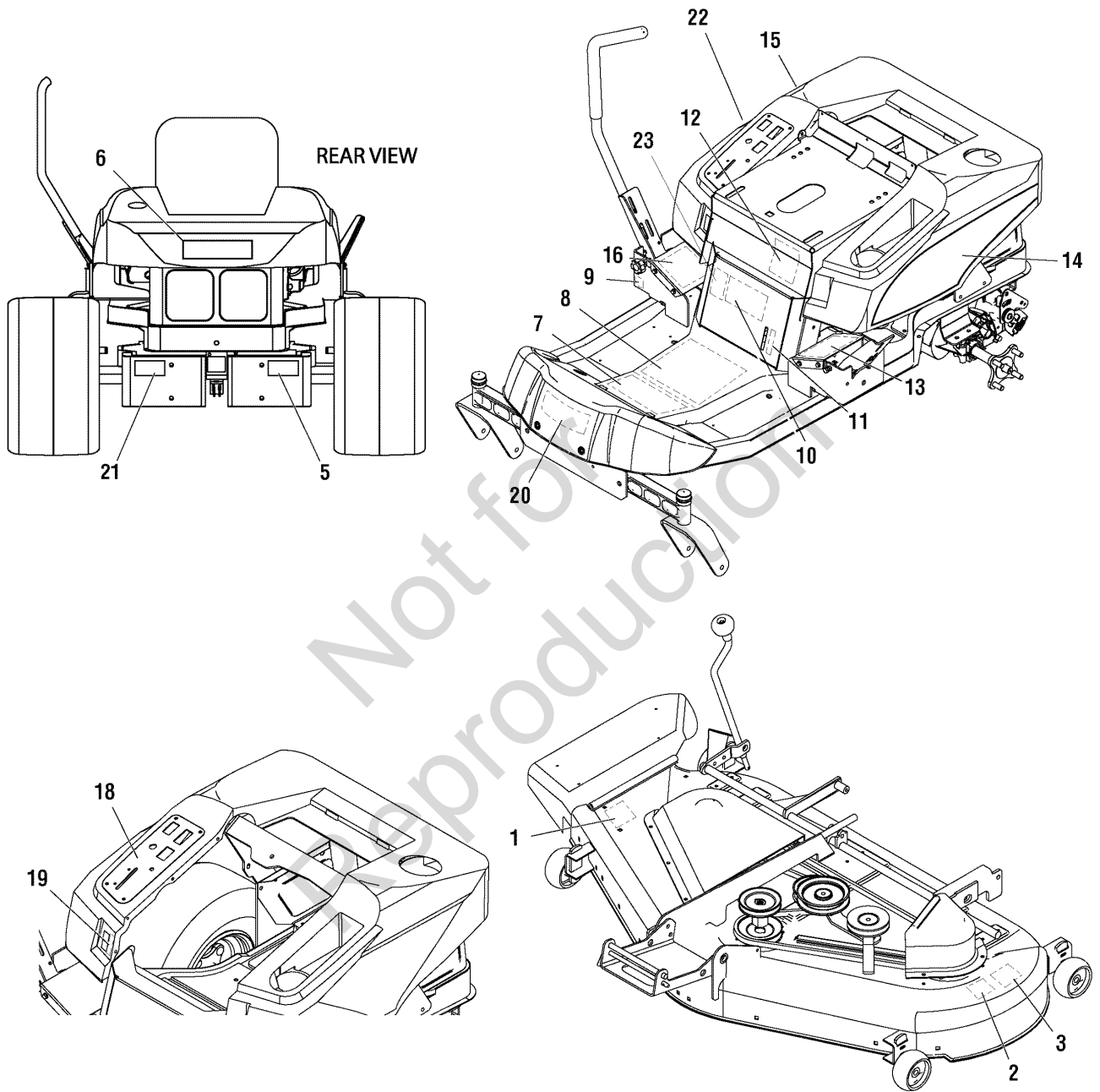
Wheel & Tire Group**ZTS 6000 -107.289930**

REF NO	PART NO.	QTY.	DESCRIPTION
1	1726383SM	2	WHEEL & TIRE ASSEMBLY, 18 x 8-1/2-8
2	7091772SM	2	CAPSCREW, Hex Head
3	7035359SM	2	TUBE, Caster Wheel Spacer
4	1734013SM	2	WHEEL & TIRE ASSEMBLY, 11 x 4-5
5	7090839SM	2	NUT, Hex Center Lock
6	7104428YP	2	FITTING, Lube
7	2172353SM	2	VALVE STEM & CAP
8	2177725SM	8	NUT, Hex Lug, 7/16-20
9	1739281YP	2	BUSHING, 0.632ID 1.377OD, .62

Not for
Reproduction

Footnotes

NOTE: Unless noted otherwise,
use the standard hardware torque
specification chart.

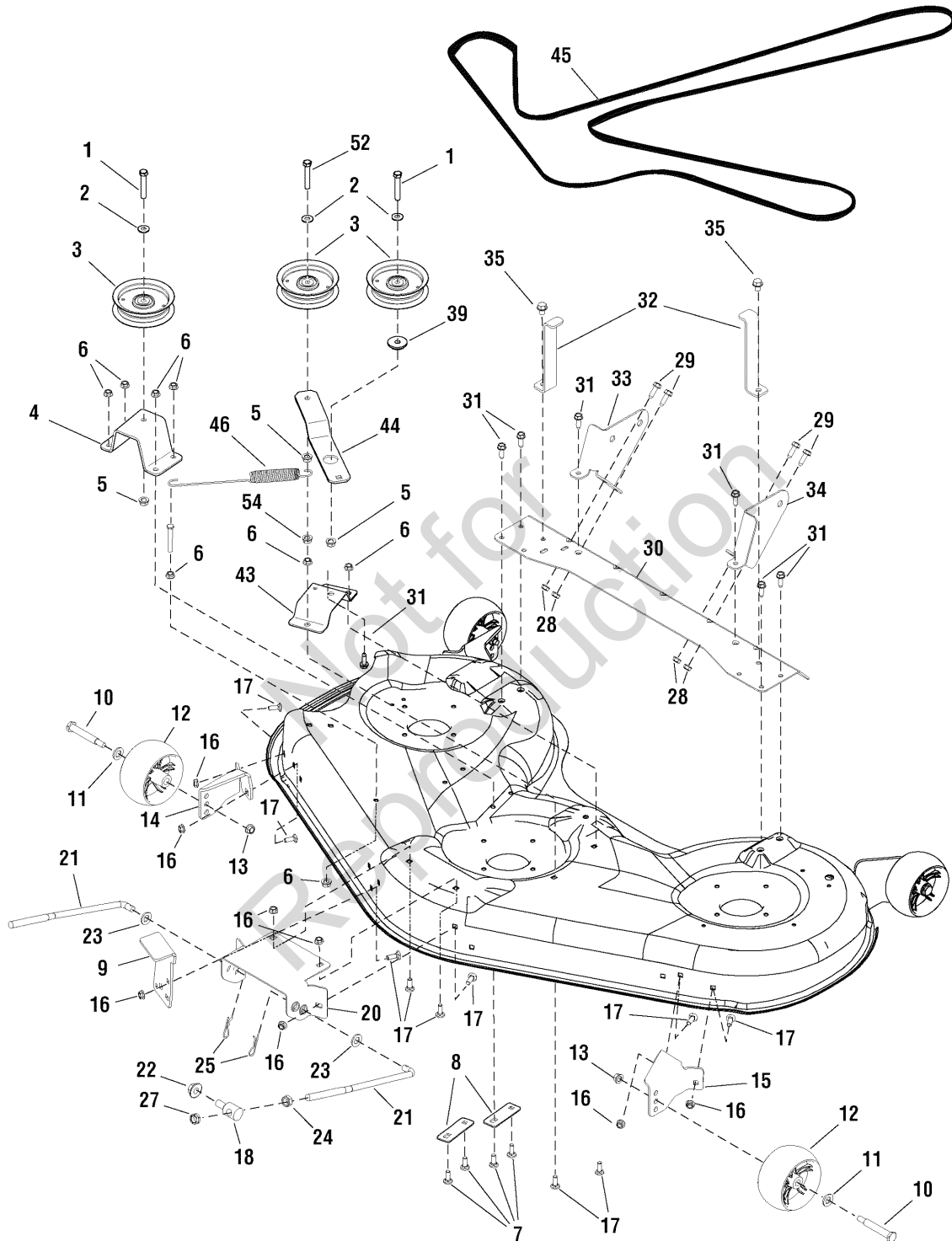


REF NO	PART NO.	QTY.	DESCRIPTION
1	1704277SM	1	DECAL, Danger Do Not Operate without Deflector (English/French)
2	1704276SM	1	DECAL, Danger Do Not Put Hands/Feet in Mower (English/French)
3	7103181YP	1	DECAL, 52"
4	*	1	DECAL, OPEI Certified ANSI
5	1720543SM	1	DECAL, Transmission Release Instructions (English/French)
6	7103145YP	1	DECAL, Craftsman ZTS
7	7102575YP	1	DECAL, Operator Instructions Upper (English/French)
8	7102574YP	1	DECAL, Operator Instructions Lower (English/French)
9	1726638SM	1	DECAL, Tracking Adjustment
10	7103215YP	1	DECAL, Powered by 26HP
11	1734335SM	1	DECAL, Height of Cut
12	7103193YP	1	DECAL, Service Parts Kohler, 26HP
13	1734270SM	1	DECAL, Handle Control, L.H. 26HP
14	7103067YP	1	DECAL, Seat Deck L.H. Craftsman ZTS
15	7103068YP	1	DECAL, Seat Deck R.H. Craftsman ZTS
16	7102576YP	1	DECAL, Handle Control R.H.
18	7103214YP	1	DECAL, Instrument Panel
19	1734276SM	1	DECAL, Height of Cut
--	7103174	1	LITERATURE PACK, SEARS ZTS 6000 26/52 (Not Shown)
20	7103146YP	1	DECAL, Craftsman Logo
21	1734672SM	1	DECAL, Caution Cut Hazard
22	1734273SM	1	DECAL, Hot Surfaces
23	7102578YP	1	DECAL, ZT PARKING BRAKE

Footnotes

Note * Not a serviceable part.

NOTE: Unless noted otherwise,
use the standard hardware torque
specification chart.



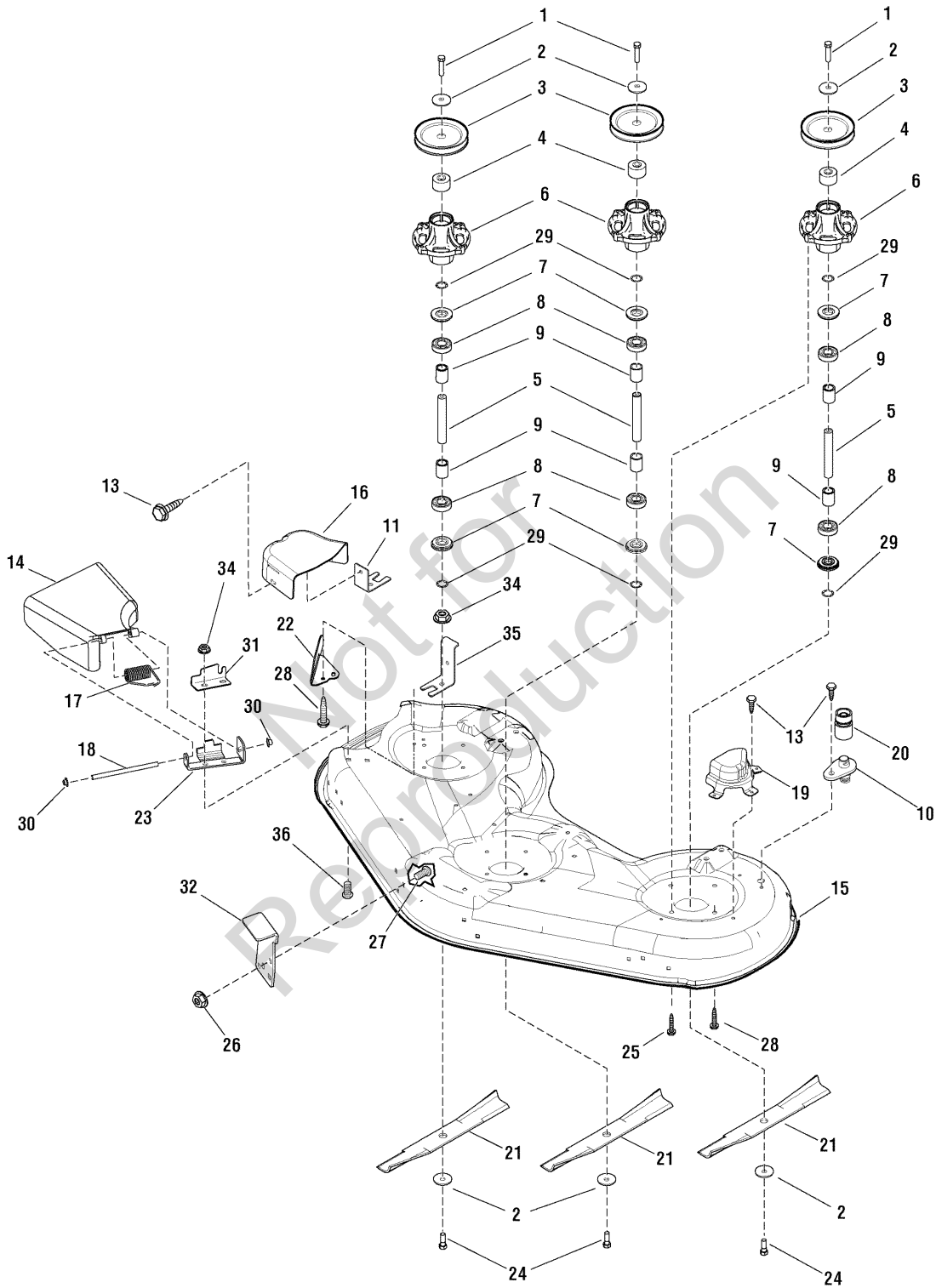
52" Mower Deck - Clutch & Support Group

ZTS 6000 -107.289930

REF NO	PART NO.	QTY.	DESCRIPTION
1	1922130SM	2	CAPSCREW, Hex Head, 3/8-16 x 2-1/4
2	1924940SM	9	WASHER, 3/8
3	1736540YP	3	PULLEY, Idler
4	1736438BMYP	1	BRACKET, Fixed Idler, Rear
5	1931211SM	3	NUT, Hex Flange, 3/8-16
6	1927557SM	6	NUT, Hex Flange, 5/16-18
7	1931335SM	4	BOLT, Carriage, 5/16-18 x 1
8	1737229BMYP	2	PLATE, Backing
9	1737439BMYP	1	UPSTOP, Front, 52" Mower
10	1736539YP	4	BOLT, Shoulder, 3/8-16 x 3-7/8
11	1960170SM	4	WASHER 1/2
12	1736896YP	4	WHEEL, Gauge, 5"
13	1960687SM	4	NUT, Hex Flange, 3/8-16 ESNA
14	1736075BMYP	1	BRACKET, Gauge Wheel, Left
15	1736074BMYP	1	BRACKET, Gauge Wheel, Right
16	1931277SM	8	NUT, Hex Flange, 5/16-18
17	1931334SM	12	BOLT, Carriage, 5/16-18 x 7/8
18	1737417YP	2	TRUNNION, Unthreaded
20	1736071BMYP	1	HITCH, Front
21	1736081YP	2	ROD, Front Rail
22	1930644SM	4	NUT, Hex Flange, 1/2-13, Two Way Lock
23	1960170SM	2	WASHER 1/2
24	1913744SM	2	NUT, Hex Jam, 1/2-13
25	1960074SM	2	CLIP, Hairpin
27	1960379SM	2	NUT, Hex, Esna Lock, 1/2-13
28	1960686SM	4	NUT, Hex Flange 5/16-18 ESNA
29	1930591SM	4	CAPSCREW, Whizlock 5/16-18 x 3/4
30	1736070BMYP	1	SUPPORT, Rear Cross
31	1960373SM	10	SCREW, Hex Washer Head, Taptit, 5/16-18 x 1
32	1737219BMYP	2	UPSTOP, Rear, 46" + 52" MOWERS
33	1736398BMYP	1	BRACKET, Rear mower Pickup, Right
34	1736397BMYP	1	BRACKET, Rear mower Pickup, Left
35	9344MA	2	SCREW, 3/8-16 x 1/2
39	1714255SM	2	SPACER, 3/8
43	1736437BMYP	1	BRACKET, Idler Mount, Front
44	1736439BMYP	1	ARM, Idler
45	1736516YP	1	V-BELT, HA 132"
46	1737415YP	1	SPRING, Extension, PTO
52	1933685SM	1	CAPSCREW, Hex Head, 3/8-16 x 2-1/2
54	1960339SM	8	NUT, Hex Flange, 3/8-16

Footnotes

NOTE: Unless noted otherwise,
use the standard hardware torque
specification chart.



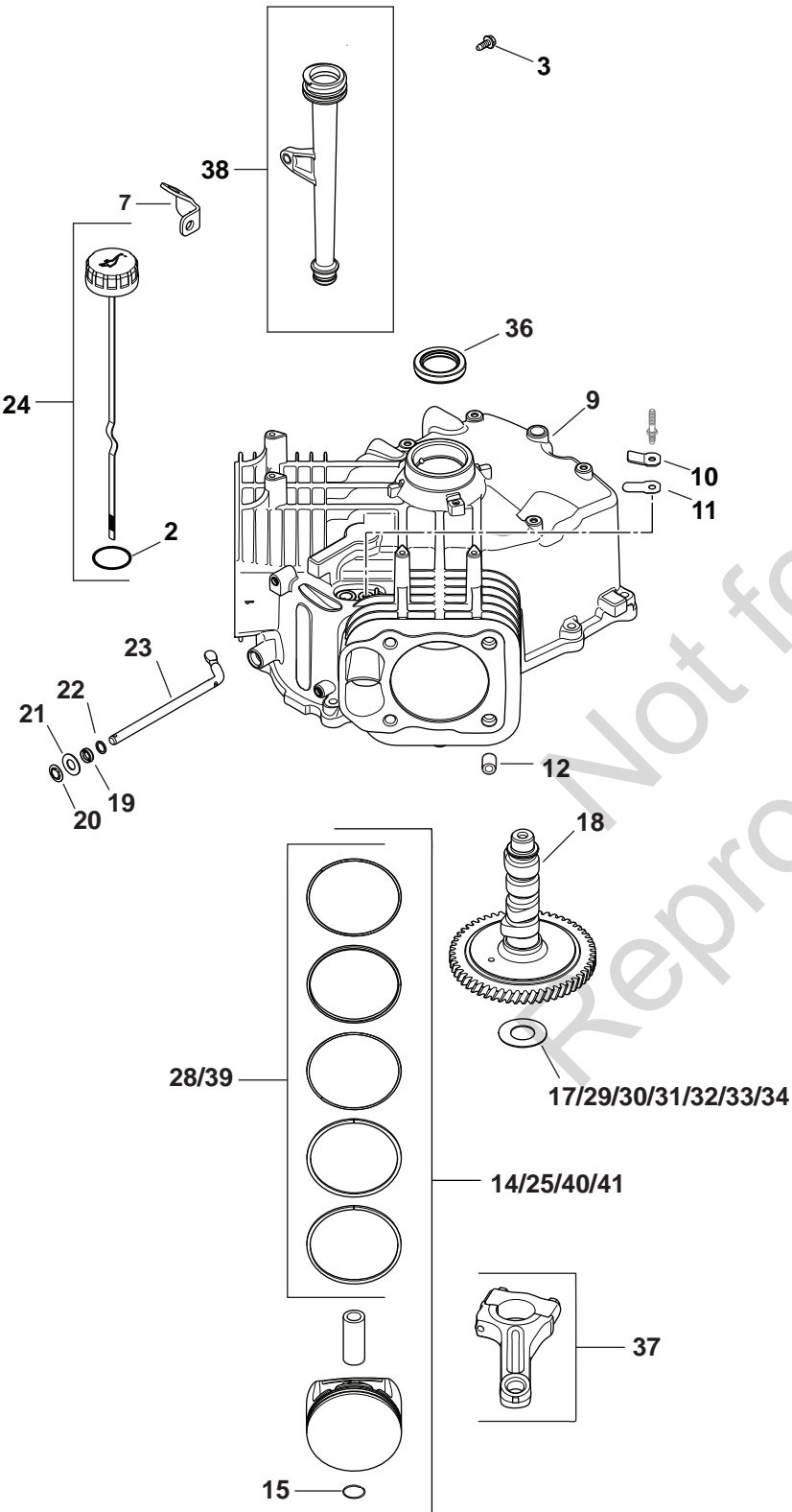
52" Mower Deck - Housing & Arbor Group

ZTS 6000 -107.289930

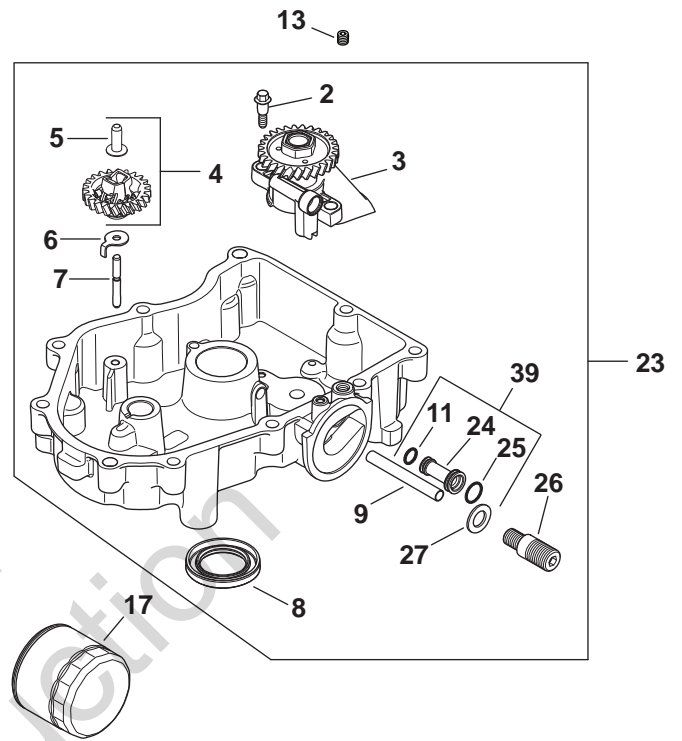
REF NO	PART NO.	QTY.	DESCRIPTION
1	1923027SM	3	CAPSCREW, Hex 7/16-14 x 1-3/4
2	1656916SM	6	WASHER, Spring, 3/4
3	1735733YP	3	PULLEY, 5.5", Split
4	1736445YP	3	SPACER, Pulley
5	1735326YP	3	SHAFT, Spindle, 20mm
6	1735573YP	3	HOUSING, Spindle
7	1735323YP	6	SHIELD, Arbor, 2"
8	1735399YP	6	BEARING,, Ball, 20mm
9	1735328YP	6	SPACER, Bearing,
10	1735716YP	1	ADAPTER, Washout Port
11	1736518BMYP	1	BRACKET, Belt Cover, Front
13	1664847SM	5	SCREW, Hex Washer, Taptit, 5/16,18 x 3/4
14	1735447YP	1	DEFLECTOR, Discharge
15	1735735BNYP	1	HOUSING, Mower Deck, 52"
16	1735752YP	1	COVER, Belt
17	1736364YP	1	SPRING, Torsion Deflector
18	1736366YP	1	ROD, Deflector
19	1736505YP	1	COVER, Belt, Left
20	1736898YP	1	WASHOUT PORT, Connector
21	1737252AYP	3	BLADE, Mower
22	1737279BMYP	1	BAFFLE, Pinchoff
23	1737418BMYP	1	HINGE, Deflector
24	1920676SM	3	CAPSCREW, Hex, 7/16-14 x 1
25	1930600SM	2	SCREW, Hex Washer Head, Taptit, 5/16-18 x 1-1/2
26	1931277SM	4	NUT, Hex Flange, 5/16-18
27	1931334SM	2	BOLT, Carriage, 5/16-18 x 7/8
28	1960373SM	11	SCREW, Hex Washer Head, Taptit, 5/16-18 x 1
29	1960766YP	6	RING, Self Locking
30	7012542YP	2	NUT, Push, 5/16
31	1737359BMYP	1	PLATE, Deflector Closeoff
32	1737439BMYP	1	UPSTOP
34	1931277SM	4	NUT, Hex Flange, 5/16-18
35	1736519BMYP	1	BRACKET, Belt Cover, Rear
36	1931333SM	2	BOLT, Round Head Shoulder, 5/16-18 x 3/4

Footnotes

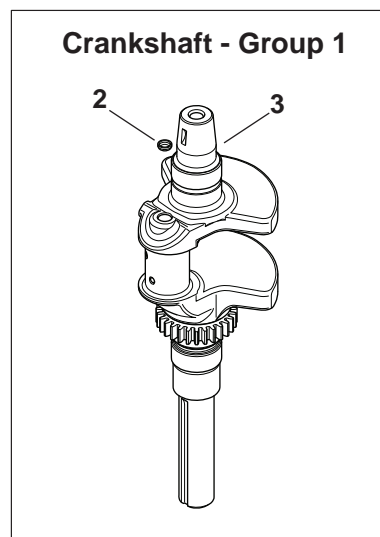
Crankcase - Group 2



Oil Pan / Lubrication - Group 3

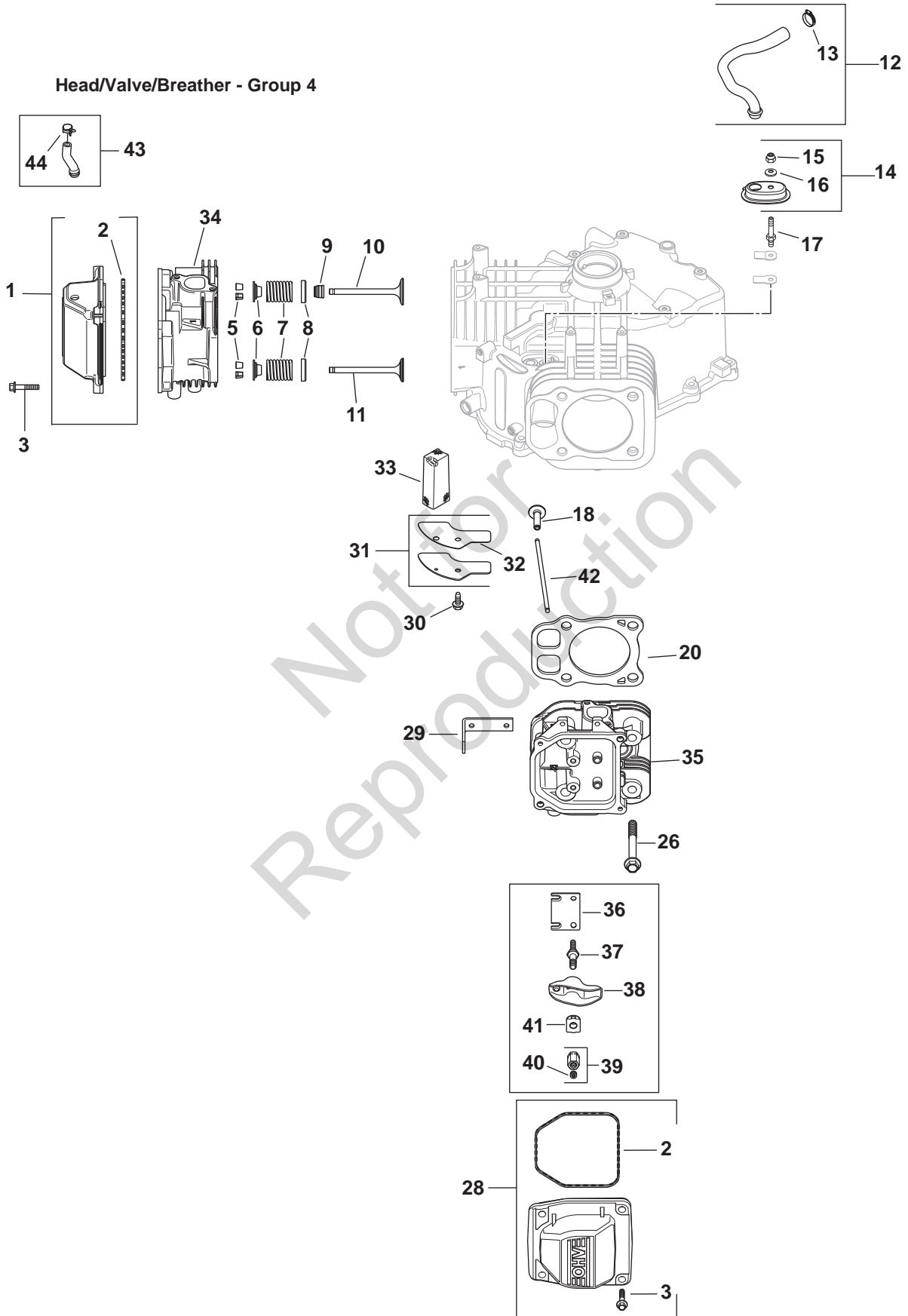


Crankshaft - Group 1



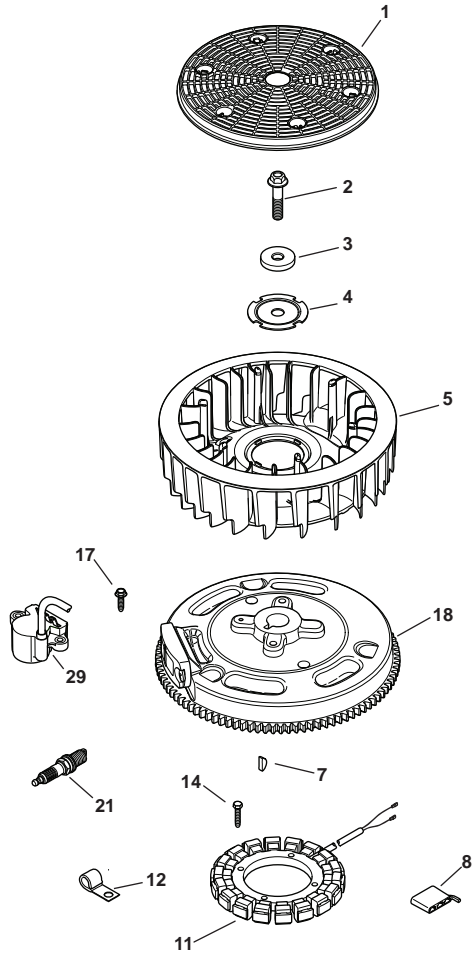
REF.	PART	DESCRIPTION	REF.	PART	DESCRIPTION
SPECIAL PARTS			OIL PAN/LUBRICATION - Group 3		
	32 522 03	SV710-740 SHORTBLOCK	2	32 086 01-S	SCREW, SHD THD FRM M6X.0X6.5
	32 755 01-S	GASKET SET	3	32 393 10-S	PUMP ASSEMBLY, OIL
CRANKSHAFT - Group 1			4	24 043 12-S	KIT, GOVERNOR GEAR W/PIN (INCLUDES 5)
2	52 139 09-S	PLUG, CUP	5	12 380 01-S	PIN, GOVERNOR REGULATING
3	32 014 04-S	CRANKSHAFT (INCLUDES 2)	6	24 448 02-S	TAB, LOCKING
CRANKCASE - Group 2			7	12 144 02-S	SHAFT, GOVERNOR GEAR
2	25 153 02-S	DIPSTICK, ASSY (CUB YELLOW) (INCLUDES 2)	8	25 032 06-S	SEAL, OIL
3	M-545013-S	SCREW, FLG THD FRM M5X0.8X13	9	32 123 01-S	TUBE, OIL FEED - FILTER TO PAN
7	24 126 19-S	BRACKET, OIL FILL TUBE	11	24 153 01-S	O-RING, OIL PICK-UP
10	24 018 04-S	RETAINER, BREATHER REED	13	25 139 60-S	PLUG, CTSK PIPE 1/8"
11	12 402 02-S	REED, BREATHER	17	12 050 01-S	FILTER, OIL
12	24 380 16-S	PIN, LOCATING	18	24 086 17-S	SCREW, FLG M8X1.25X45
14	25 874 01-S	KIT, PISTON W/RING SET (STD) (INCLUDES 15, 39)	19	25 139 57-S	PLUG, SQ HD PIPE 3/8"
15	24 018 01-S	RETAINER, PISTON PIN	23	32 199 07-S	PAN ASSEMBLY, OIL (INCLUDES 2-9,11[QTY 1],24-27)
17	12 422 07-S	SHIM, CAMSHAFT (WHITE .028")	24	32 123 06-S	TUBE, OIL FEED
18	32 012 01-S	KIT, CAMSHAFT (INCLUDES 25 357 14-S)	25	32 153 05-S	O-RING
19	28 032 09-S	SEAL, GOVERNOR CROSS SHAFT	26	32 136 05-S	NIPPLE, OIL FILTER
20	24 018 09-S	RETAINER, RING	27	32 468 02-S	WASHER, FLAT
21	M-931010-S	WASHER, FLAT 9 MM	39	32 123 09-S	OIL FEED TUBE ASSEMBLY (INCLUDES 11[QTY 1],24,25)
22	24 468 15-S	WASHER, FLAT 11/32"			
23	24 144 38-S	SHAFT, GOVERNOR CROSS			
24	24 038 04-S	DIPSTICK, ASSY			
25	25 874 03-S	KIT, PISTON W/RING SET (0.25) 83mm			
28	24 108 16-S	RING SET (.25)			
29	12 422 08-S	SHIM, CAMSHAFT (BLUE .03")			
30	12 422 09-S	SHIM, CAMSHAFT (RED .032")			
31	12 422 10-S	SHIM, CAMSHAFT (YELLOW .034")			
32	12 422 11-S	SHIM, CAMSHAFT (GREEN .036")			
33	12 422 12-S	SHIM, CAMSHAFT (GRAY .038")			
34	12 422 13-S	SHIM, CAMSHAFT (BLACK .04")			
36	24 032 19-S	SEAL, OIL (HELIX LIP)			
37	24 067 24-S	CONNECTING ROD (STD)			
38	25 123 07-S	TUBE ASSEMBLY (INCLUDES 4-6)			
39	24 108 14-S	RING SET (STD)			
40	32 874 09-S	USE 24 874 27-S KIT			
41	24 874 27-S	USE 25 874 02-S KIT			
NOT ILLUSTRATED					
	25 357 14-S	LUBRICANT, CAMSHAFT			

Head/Valve/Breather - Group 4

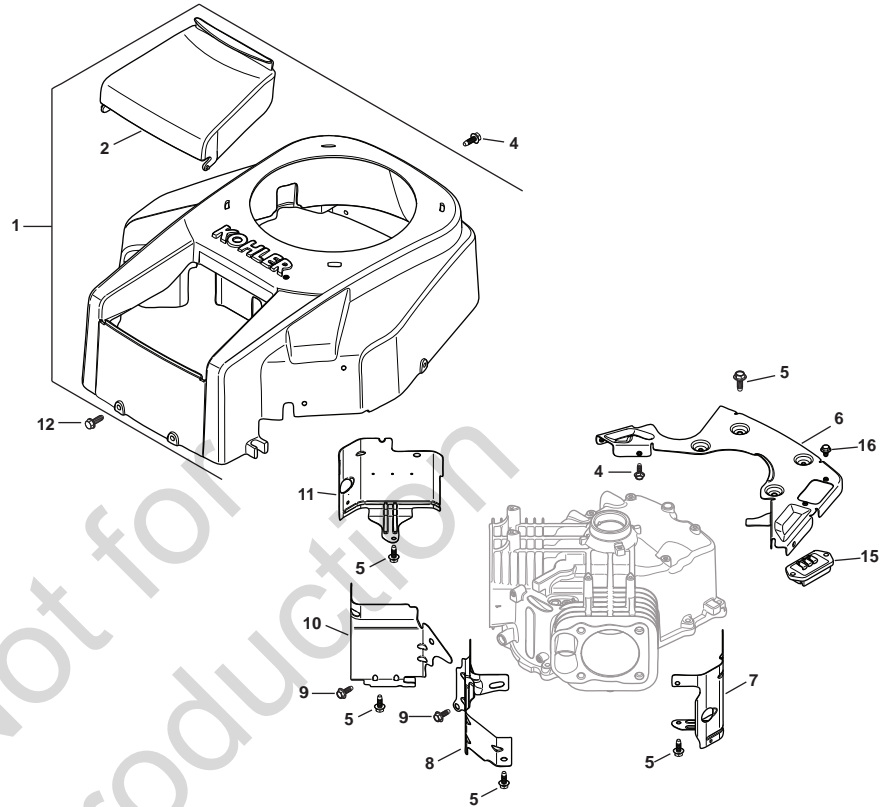


REF.	PART	DESCRIPTION	REF.	PART	DESCRIPTION
HEAD/VALVE/BREATHER - Group 4					
1	32 096 06-S	KIT, BREATHER VALVE COVER (INCLUDES 2 [QTY 1])			
2	24 153 30-S	O-RING, VALVE COVER			
3	M-651030-S	SCREW, FLG M6X1.0X30			
5	12 755 03-S	KIT, RETAINER			
6	12 173 01-S	CAP, VALVE SPRING			
7	24 089 02-S	SPRING, VALVE			
8	235011-S	RETAINER, SPRING			
9	66 032 05-S	SEAL, VALVE STEM			
10	24 017 01-S	VALVE, INTAKE (STD)			
11	24 016 01-S	VALVE, EXHAUST (STD)			
12	32 326 06-S	KIT, BREATHER HOSE (INCLUDES 13)			
13	25 237 14-S	CLAMP, HOSE 1/2"			
14	32 081 02-S	KIT, BREATHER HOUSING (INCLUDES 15,16)			
15	M-547050-S	NUT, LOCK M5X.8			
16	32 468 01-S	WASHER, SEALING			
17	32 072 03-S	STUD, BREATHER COVER			
18	32 019 02-S	TAPPET			
20	32 841 01-S	KIT, CYLINDER HEAD GASKET (INCLUDES 26[QTY 4] & 24 041 49-S, 24 153 27-S)			
26	12 086 16-S	SCREW, FLG M10X1.5X90			
28	24 755 141-S	KIT, BREATHER VALVE COVER (INCLUDES 2 [QTY 1], 3 [QTY 4])			
29	25 445 01-S	STRAP, LIFTING			
30	M-645016-S	SCREW, FLG THD FRM M6X1.0X16			
31	32 096 04-S	KIT, BREATHER COVER (INCLUDES 32)			
33	32 050 01-S	FILTER, BREATHER			
34	32 318 13-S	KIT, #1 CYLINDER HEAD ASSY (INCLUDES EXHAUST MOUNTING HARDWARE)			
35	32 318 14-S	KIT, #2 CYLINDER HEAD ASSY (INCLUDES EXHAUST MOUNTING HARDWARE)			
36	32 146 09-S	PLATE, GUIDE			
37	32 072 04-S	STUD, ROCKER			
38	32 186 03-S	ARM, ROCKER			
39	32 100 05-S	HEX NUT ASSEMBLY (INCLUDES 39)			
40	25 086 168-S	SCREW, SET			
41	25 599 01-S	PIVOT, ROCKER ARM			
42	32 411 04-S	ROD, PUSH			
43	32 326 07-S	KIT, FUEL PUMP HOSE W/CLAMP (INCLUDES 44)			
44	25 237 01-S	CLAMP, HOSE			
NOT ILLUSTRATED					
	32 755 03-S	KIT, CYLINDER HEAD HARDWARE (SERVICES 1 HEAD. QUANTITIES LISTED ARE FOR BOTH HEADS) (INCLUDES 5-11,19,22,25,34)			
	24 041 49-S	GASKET, EXHAUST			
	24 153 27-S	O-RING, INTAKE PORT			

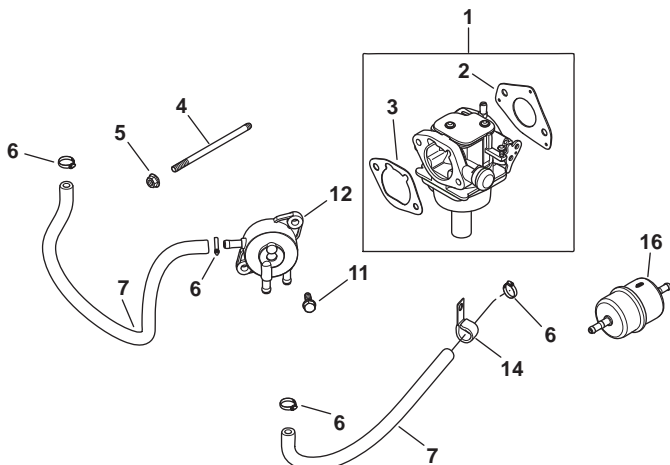
Ignition / Electrical - Group 5



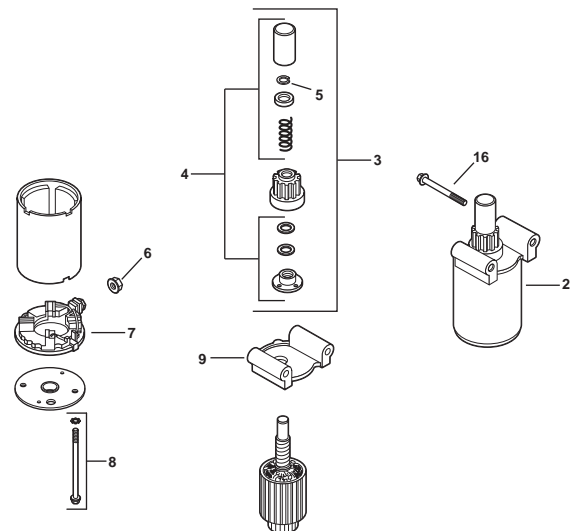
Blower Housing & Baffles - Group 6



Fuel System - Group 8

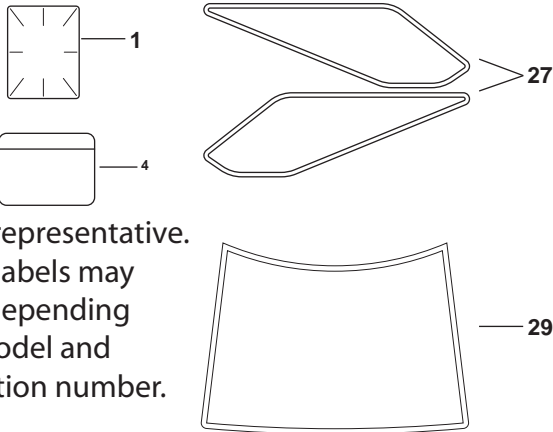


Starting System - Group 7



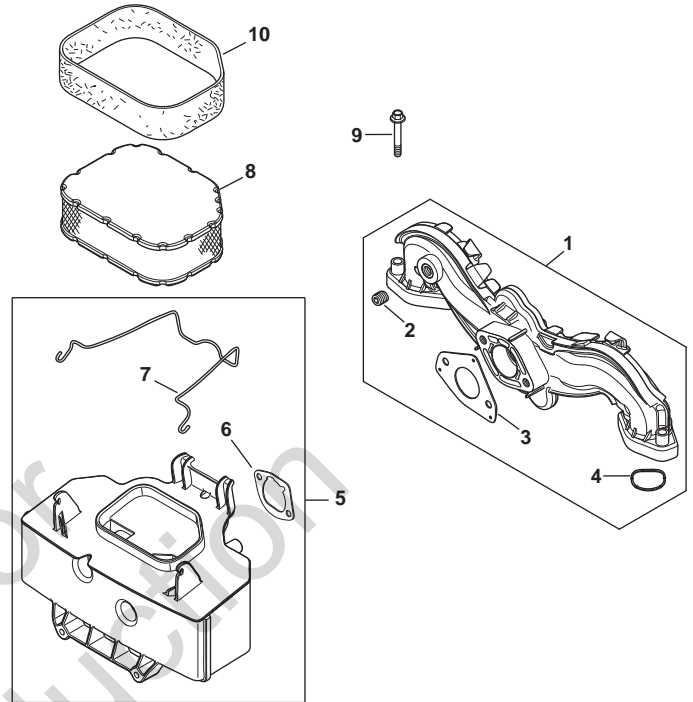
REF.	PART	DESCRIPTION	REF.	PART	DESCRIPTION
IGNITION/ELECTRICAL - Group 5			FUEL SYSTEM - Group 8		
1	32 162 03-S	SCREEN, GRASS	1	32 853 12-S	KIT, CARBURETOR W/GASKETS (INCLUDES 2,3)
2	12 086 14-S	SCREW, FLG M10X1.5X45	2	24 041 52-S	GASKET, CARBURETOR
3	12 468 03-S	WASHER, FLAT 13/32"	3	24 041 14-S	GASKET, AIR CLEANER BASE
4	20 146 05-S	PLATE, FAN MOUNTING	4	M-629105-S	STUD, M6X1.0X106
5	32 157 01-S	FAN	5	M-641060-S	NUT, FLG M6X1.0
7	X-42-15-S	KEY, 3/16" X 5/8"	6	25 237 14-S	CLAMP, HOSE 1/2"
8	25 155 41-S	CONNECTOR	6	25 237 14-S	CLAMP, HOSE 1/2"
11	237878-S	KIT, 15 AMP STATOR (INCLUDES 25 452 01-S)	7	25 111 34-S	LINE, FUEL (24"-CUT TO LENGTH)
12	47 154 01-S	CLIP, CABLE	11	24 086 12-S	SCREW, TAP M6X1.7X18
14	M-548025-S	SCREW, THD FRM M5X0.8X25	12	24 393 16-S	PUMP, FUEL
17	M-545020-S	SCREW, FLG THD FRM M5X.8X20	14	47 154 01-S	CLIP, CABLE
18	32 025 15-S	FLYWHEEL ASSEMBLY (SV735/740)	16	24 050 13-S	FILTER, FUEL
21	25 132 12-S	PLUG, SPARK (PRO SERIES)	NOT ILLUSTRATED		
29	24 584 52-S	MODULE SPARK ADV (DSAI) ASSY	24 757 36-S	KIT, REPAIR SERVICE CHOKE (INCLUDES 2,3)	
NOT ILLUSTRATED			24 757 38-S	KIT, REPAIR SERVICE GASKET (INCLUDES 2,3)	
	25 452 01-S	TERMINAL	24 757 44-S	KIT, FLOAT (INCLUDES 2,3)	
	25 454 03-S	TIE, WIRE	24 757 45-S	KIT, REPAIR SOLENOID VALVE (INCLUDES 2,3)	
	25 454 05-S	TIE	24 757 46-S	KIT, REPAIR OVERHAUL (INCLUDES 2,3)	
	32 176 17-S	KIT, HARNESS, WIRING			
BLOWER HOUSING & BAFFLES - Group 6					
1	32 027 03-S	KIT, HOUSING BLOWER (INCLUDES 2, 41 037 10-S)			
2	32 096 08-S	COVER, AIR CLEANER			
4	M-545016-S	SCREW, FLG THD FRM M5X0.8X16			
5	M-645016-S	SCREW, FLG THD FRM M6X1.0X16			
6	32 146 05-S	KIT, BACKING PLATE			
7	32 063 12-S	BAFFLE, CYL BARREL - #2 SIDE			
8	32 063 02-S	BAFFLE, VALLEY #2 SIDE			
9	M-545010-S	SCREW, FLG THD FRM M5X.8X10			
10	32 063 03-S	BAFFLE, VALLEY #1 SIDE			
11	32 063 10-S	BAFFLE, CYL BARREL - #1 SIDE			
12	24 086 12-S	SCREW, TAP M6X1.7X18			
15	41 403 10-S	REGULATOR/RECTIFIER			
16	25 086 158-S	SCREW, FLNG THD FRM M6X1.0X10			
NOT ILLUSTRATED					
	41 037 10-S	NAMEPLATE, SERVICE			
STARTING SYSTEM - Group 7					
2	32 098 01-S	STARTER ASSEMBLY (INCLUDES 3-9)			
3	12 755 39-S	KIT, DRIVE			
4	12 755 38-S	KIT, DRIVE PARTS (INCLUDES 5)			
5	32 141 01-S	RING, RETAINING			
6	12 100 07-S	NUT, HEX FLG 1/4-20"			
7	12 243 04-S	COMMUTATOR, END CAP			
8	32 211 01-S	BOLT, THRU			
9	32 227 01-S	CAP, DRIVE END			
16	M-851080-S	SCREW, FLG M8X1.25X80			

Decals - Group 12

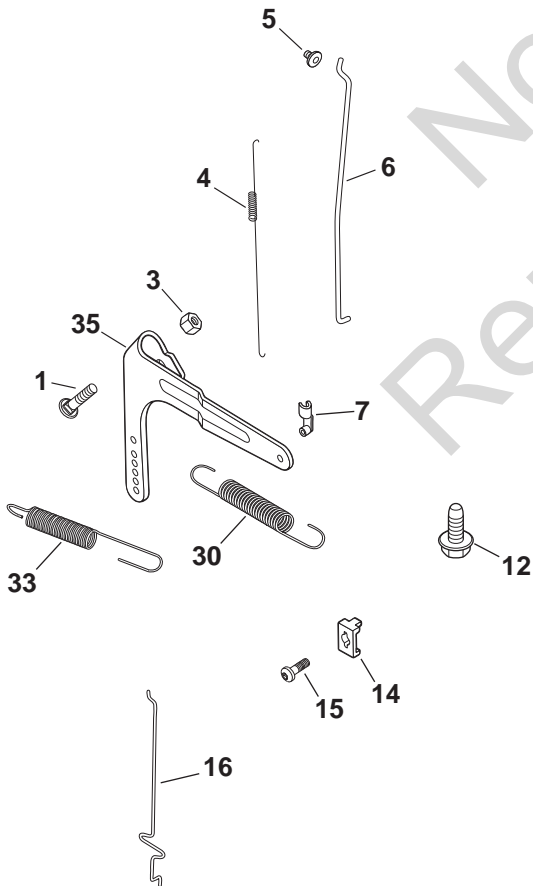


Artwork is representative.
Actual labels may differ depending on model and specification number.

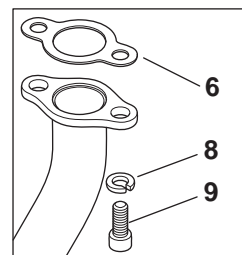
Air Intake/Filtration - Group 10



Engine Controls - Group 9



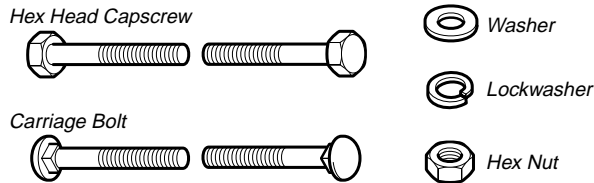
Exhaust - Group 11



REF.	PART	DESCRIPTION	REF.	PART	DESCRIPTION
ENGINE CONTROLS - Group 9					
1	24 211 03-S	BOLT, RD HD SQ NECK M6X1.0X25			
3	M-641060-S	NUT, FLG M6X1.0			
4	24 089 01-S	SPRING, LINKAGE			
5	25 158 08-S	BUSHING, LINKAGE RETAINING			
6	24 079 04-S	LINKAGE, THROTTLE			
7	25 158 11-S	BUSHING, THROTTLE LINKAGE			
12	M-645016-S	SCREW, FLG THD FRM M6X1.0X16			
14	12 237 01-S	CLAMP, CABLE			
15	24 086 43-S	SCREW, LBD THD FRM M5x0.8x16			
16	24 079 22-S	LINKAGE, CHOKE			
30	24 089 55-S	SPRING, GOVERNOR			
33	24 089 18-S	SPRING, GOVERNOR			
35	24 090 51-S	LEVER, GOVERNOR			
AIR INTAKE/FILTRATION - Group 10					
1	24 164 91-S	KIT, INTAKE MANIFOLD (INCLUDES 2-4)			
2	24 041 52-S	GASKET, CARBURETOR			
3	24 153 27-S	O-RING, INTAKE PORT			
4	25 139 60-S	PLUG, CTSK PIPE 1/8"			
5	32 094 04-S	KIT, AIR CLEANER BASE (INCLUDES 5,6)			
6	24 041 14-S	GASKET, AIR CLEANER BASE			
7	32 344 02-S	LATCH, AIR CLEANER ELEMENT			
8	32 083 03-S	ELEMENT, AIR FILTER			
9	M-651040-S	SCREW, FLG M6X1.0X40			
10	32 083 05-S	PRE-CLEANER, ELEMENT			
EXHAUST - Group 11					
6	24 041 49-S	GASKET, EXHAUST MANIFOLD			
8	X-21-1-S	WASHER, SPRING LOCK 5/16" (AFTER S/N 3810100003)			
9	25 086 87-S	SCREW, HEX SOCKET HEAD CAP (AFTER S/N 3810100003)			
DECALS - Group 12					
1	25 113 39-S	DECAL, CLEAR LAMINATE			
4	32 113 60-S	DECAL, FILL CHECK			
27	32 113 23-S	DECAL, WING SET SEARS			
29	32 113 27-S	DECAL, 26HP			

Hardware Identification & Torque Specifications

Common Hardware Types

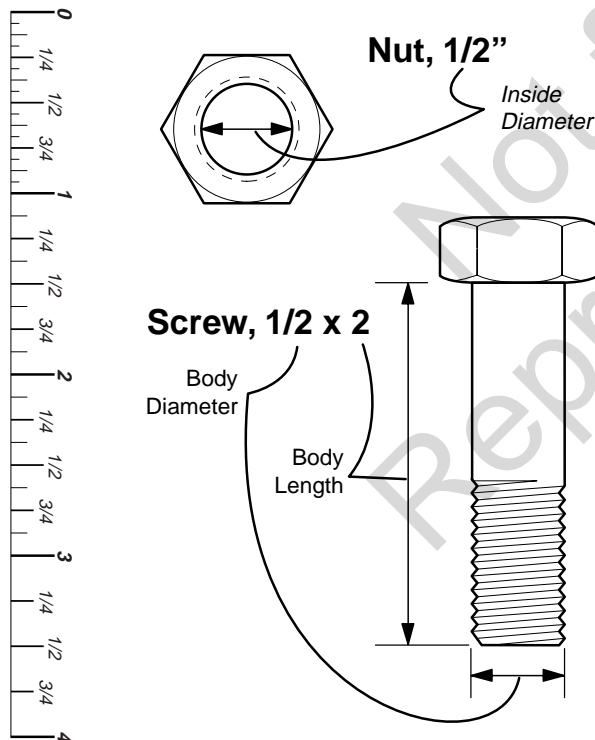


Standard Hardware Sizing

When a washer or nut is identified as **1/2"**, this is the *Nominal size*, meaning the *inside diameter* is 1/2 inch; if a second number is present it represent the *threads per inch*

When bolt or capscrew is identified as **1/2 - 16 x 2"**, this means the *Nominal size*, or *body diameter* is 1/2 inch; the second number represents the *threads per inch* (16 in this example, and the final number is the *body length* of the bolt or screw (in this example 2 inches long).

The guides and ruler furnished below are designed to help you select the appropriate hardware and tools.



Torque Specification Chart

FOR STANDARD MACHINE HARDWARE (Tolerance $\pm 20\%$)

Hardware Grade	No Marks SAE Grade 2		SAE Grade 5		SAE Grade 8	
	in/lbs ft/lbs	Nm.	in/lbs ft/lbs	Nm.	in/lbs ft/lbs	Nm.
8-32	19	2.1	30	3.4	41	4.6
8-36	20	2.3	31	3.5	43	4.9
10-24	27	3.1	43	4.9	60	6.8
10-32	31	3.5	49	5.5	68	7.7
1/4-20	66	7.6	8	10.9	12	16.3
1/4-28	76	8.6	10	13.6	14	19.0
5/16-18	11	15.0	17	23.1	25	34.0
5/16-24	12	16.3	19	25.8	27	34.0
3/8-16	20	27.2	30	40.8	45	61.2
3/8-24	23	31.3	35	47.6	50	68.0
7/16-14	30	40.8	50	68.0	70	95.2
7/16-20	35	47.6	55	74.8	80	108.8
1/2-13	50	68.0	75	102.0	110	149.6
1/2-20	55	74.8	90	122.4	120	163.2
9/16-12	65	88.4	110	149.6	150	204.0
9/16-18	75	102.0	120	163.2	170	231.2
5/8-11	90	122.4	150	204.0	220	299.2
5/8-18	100	136	180	244.8	240	326.4
3/4-10	160	217.6	260	353.6	386	525.0
3/4-16	180	244.8	300	408.0	420	571.2
7/8-9	140	190.4	400	544.0	600	816.0
7/8-14	155	210.8	440	598.4	660	897.6
1-8	220	299.2	580	788.8	900	1,244.0
1-12	240	326.4	640	870.4	1,000	1,360.0

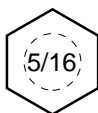
NOTES

- These torque values are to be used for all hardware excluding: locknuts, self-tapping screws, thread forming screws, sheet metal screws and socket head setscrews.
- Recommended seating torque values for locknuts:
 - for prevailing torque locknuts - use 65% of grade 5 torques.
 - for flange whizlock nuts and screws - use 135% of grade 5 torques.
- Unless otherwise noted on assembly drawings, all torque values must meet this specification.

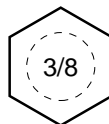
Wrench & Fastener Size Guide



1/4" Bolt or Nut
Wrench—7/16"



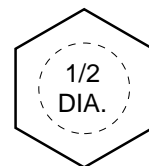
5/16" Bolt or Nut
Wrench—1/2"



3/8" Bolt or Nut
Wrench—9/16"



7/16" Bolt or Nut
Wrench (Bolt)—5/8"
Wrench (Nut)—11/16"



1/2" Bolt or Nut
Wrench—3/4"

Not for
Reproduction

Not for
Reproduction

Repair Protection Agreements

Congratulations on making a smart purchase. Your new Craftsman® product is designed and manufactured for years of dependable operation. But like all products, it may require repair from time to time. That's when having a Repair Protection Agreement can save you money and aggravation.

Purchase a Repair Protection Agreement now and protect yourself from unexpected hassle and expense.

Here's what's included in the Agreement:

- Expert service** by our 12,000 professional repair specialists
- Unlimited service and no charge** for parts and labor on all covered repairs
- Product replacement** if your covered product can't be fixed
- Discount of 10%** from regular price of service and service-related parts not covered by the agreement; also, 10% off regular price of preventive maintenance check
- Fast help by phone** – phone support from a Sears technician on products requiring in-home repair, plus convenient repair scheduling.

Once you purchase the Agreement, a simple phone call is all that it takes for you to schedule service. You can call anytime day or night, or schedule a service appointment online.

Sears has over 12,000 professional repair specialists, who have access to over 4.5 million quality parts and accessories. That's the kind of professionalism you can count on to help prolong the life of your new purchase for years to come. Purchase your Repair Protection Agreement today!

Some limitations and exclusions apply. For prices and additional information call 1-800-827-6655.

Sears Installation Service

For Sears professional installation of home appliances, garage door openers, water heaters, and other major home items, in the U.S.A. call **1-800-4-MY-HOME®**

Acuerdo de Protección de Reparaciones

Felicidades por su compra inteligente. Su nuevo producto de Craftsman® fue diseñado y fabricado para años de operación confiable. Pero como todos los productos, es posible que cada cierto tiempo requiera de reparaciones. Ahí es donde tener un Acuerdo de Protección de Reparaciones puede ahorrarle dinero y contrariedades.

Compre un Acuerdo de Protección de Reparaciones ahora y protéjase usted mismo de molestias y gastos inesperados.

Aquí está lo que incluye el Acuerdo:

- Servicio experto** de nuestros 12,000 especialistas profesionales en reparación
- Servicio ilimitado y sin cargo** por las partes y la mano de obra en todas las reparaciones cubiertas
- Reemplazo del producto** si su producto cubierto no puede ser arreglado
- Descuento del 10%** del precio regular de servicio y partes relacionadas con el servicio no cubierto por el acuerdo; además, de un 10% de descuento del precio regular por revisiones de mantenimiento preventivo
- Ayuda rápida por teléfono** – soporte telefónico de técnicos de Sears sobre productos que requieren reparaciones a domicilio, además de programación conveniente de reparación.

Una vez que compre el Acuerdo, una simple llamada telefónica es lo único que se necesita para que le programen el servicio. Usted puede llamar a cualquier hora del día o de la noche, o programar una cita de servicio por Internet.

Sears cuenta con más de 12,000 especialistas profesionales en reparación, que tienen acceso a más de 4.5 millones partes y accesorios de calidad. Ese es el tipo de profesionalismo con el que usted puede contar para ayudarle a prolongar la vida de su nueva compra por muchos años venideros. ¡Compre su Acuerdo de Protección de Reparaciones hoy!

Aplican algunas limitantes y exclusiones. Para obtener información sobre el precio e información adicional llame al 1-800-827-6655.

Servicio de Instalación de Sears

Para obtener información sobre la instalación profesional de Sears para electrodomésticos, abridores para cocheras, calentadores de agua y otros artículos grandes, en los Estados Unidos llame a **1-800-4-MY-HOME®**

Get it fixed, at your home or ours!

Your Home

For troubleshooting, product manuals and expert advice:



www.managemylife.com

For repair – **in your home** – of **all** major brand appliances, lawn and garden equipment, or heating and cooling systems, **no matter who made it, no matter who sold it!**

For the replacement parts, accessories and owner's manuals that you need to do-it-yourself.

For Sears professional installation of home appliances and items like garage door openers and water heaters.

1-800-4-MY-HOME[®] (1-800-469-4663)

Call anytime, day or night (U.S.A. and Canada)

www.sears.com www.sears.ca

Our Home

For repair of carry-in items like vacuums, lawn equipment, and electronics, call anytime for the location of your nearest

Sears Parts & Repair Service Center

1-800-488-1222 (U.S.A.)

www.sears.com

1-800-469-4663 (Canada)

www.sears.ca

To purchase a protection agreement on a product serviced by Sears:

1-800-827-6655 (U.S.A.)

1-800-361-6665 (Canada)

Para pedir servicio de reparación a domicilio, y para ordenar piezas:

1-888-SU-HOGAR[®]

(1-888-784-6427)

www.sears.com

Au Canada pour service en français:

1-800-LE-FOYER^{MC}

(1-800-533-6937)

www.sears.ca

The Sears logo, featuring the word "Sears" in a large, stylized, serif font with a distinctive 'S'.

® Registered Trademark / TM Trademark of KCD IP, LLC in the United States, or Sears Brands, LLC in other countries

® Marca Registrada / TM Marca de Fábrica de KCD IP, LLC en Estados Unidos, o Sears Brands, LLC in otros países

^{MC} Marque de commerce / ^{MD} Marque déposée de Sears Brands, LLC

Free Manuals Download Website

<http://myh66.com>

<http://usermanuals.us>

<http://www.somanuals.com>

<http://www.4manuals.cc>

<http://www.manual-lib.com>

<http://www.404manual.com>

<http://www.luxmanual.com>

<http://aubethermostatmanual.com>

Golf course search by state

<http://golfingnear.com>

Email search by domain

<http://emailbydomain.com>

Auto manuals search

<http://auto.somanuals.com>

TV manuals search

<http://tv.somanuals.com>