

Owner's Manual



Riding Mower

Model No.
247.27022



CAUTION: Before using this product, read this manual and follow all safety rules and operating instructions.

- Safety
- Operation
- Maintenance
- Storage
- Español, Page 47

For answers to your questions about this product, call:

1-800-659-5917

Sears Craftsman Help Line
(5 am. - 5 pm., Mon. - Sat.)

Sears, Roebuck And Co., Hoffman Estates, IL 60179 U.S.A.

Visit our website: www.sears.com/craftsman

Printed in U.S.A.

FORM NO. 769-00704A
(5/2003)

TABLE OF CONTENTS

Content	Page	Content	Page
Warranty Information	2	Off-Season Storage.....	23
Safe Operation Practices.....	3	Trouble-Shooting.....	23
Assembly	6	Parts List	25
Operation	8	Slope Guide	45
Maintenance.....	13	Español	47
Service & Adjustment	16	Service Phone Numbers.....	Back Cover

WARRANTY INFORMATION

LIMITED WARRANTY ON RIDING MOWER: For two (2) years from the date of purchase, if this Craftsman Riding Equipment is maintained, lubricated and tuned up according to the instructions in the owner's manual, Sears will repair or replace free of charge any parts that are found to be defective in material or workmanship according to the guidelines of coverage listed below. Sears will also provide free labor for these applicable warranted parts for the two full years. During first 30 days of purchase, there will be no charges to service the product at your home for issues covered by this warranty. (See exclusions below). For your convenience, IN HOME warranty service will still be available after the first 30 days of purchase, but a trip charge will apply. This charge will be waived if the product is dropped off at an authorized Sears location. For the nearest authorized Sears location, please call 1-800-4-MY-HOME®. This warranty applies only while this product is within the United States.

EXCLUSIONS

This Warranty does not cover:

- Expendable items which become worn during normal use, including but not limited to blades, spark plugs, air cleaners, belts, and oil filters.
- Standard Maintenance Servicing, oil changes or tune-ups
- Tire replacement or repair caused by punctures from outside objects, such as nails, thorns, stumps, or glass.
- Repairs necessary because of operator abuse, including but not limited to, damage caused by towing objects beyond the capability of the riding equipment, impacting objects that bend the frame or crankshaft, or over-speeding the engine.
- Repairs necessary because of operator negligence, including but not limited to, electrical and mechanical damage caused by improper storage, failure to use the proper grade and amount of engine oil, failure to keep the deck clear of flammable debris, or failure to maintain the equipment according to the instructions contained in the owner's manual.
- Engine (fuel system) cleaning or repairs caused by fuel determined to be contaminated or oxidized (stale). In general, fuel should be used within 30 days of its purchase date.
- Normal deterioration and wear of the exterior finishes, or product label replacement.
- Riding equipment used for commercial or rental purposes.

LIMITED WARRANTY ON BATTERY

For ninety (90) days from date of purchase, if any battery included with this riding equipment proves defective in material or workmanship and our testing determines the battery will not hold charge, Sears will replace the battery at no charge. During the first 30 days of purchase, there will be no charges to replace the battery at your home. After the first 30 days, for your convenience, IN-HOME warranty service will still be available but a trip charge will apply. This charge will be waived if the Craftsman product is dropped off at an authorized Sears location. For the nearest authorized Sears location, please call 1-800-4-MY-HOME®. This battery warranty applies only while this product is within the United States. This warranty gives you specific legal rights, and you may also have other rights, which vary, from state to state.

Sears, Roebuck and Co., Dept. 817WA, Hoffman Estates, IL 60179

PRODUCT SPECIFICATIONS

Horsepower:10.0
 Engine Oil48 oz. or 1.4 liters
 FuelUnleaded Regular
 Spark Plug:P/N 491055
 Engine:.....212907-0272
 Ignition Key (Std.).....P/N 725-0201

MODEL NUMBER

Model Number 247.27022
 Serial Number.....
 Date of Purchase.....
 Record both serial number and date of purchase and keep in a safe place for future reference.

REPAIR PROTECTION AGREEMENT

Congratulations on making a smart purchase. Your new Craftsman® product is designed and manufactured for years of dependable operation. But like all products, it may require repair from time to time. That's when having a Repair Protection Agreement can save you money and aggravation.

Here's what's included in the Agreement:

- ✓ **Expert service** by our 12,000 professional repair specialists
- ✓ **Unlimited service and no charge** for parts and labor on all covered repairs
- ✓ **Product replacement** if your covered product can't be fixed
- ✓ **Discount of 10%** from regular price of service and service-related parts not covered by the agreement; also, 10% off regular price of preventive maintenance check
- ✓ **Fast help by phone** – phone support from a Sears technician on products requiring in-home repair, plus convenient repair scheduling

Purchase a Repair Protection Agreement now and protect yourself from unexpected hassle and expense.

Once you purchase the Agreement, a simple phone call is all that it takes for you to schedule service. You can call anytime day or night, or schedule a service appointment online. Sears has over 12,000 professional repair specialists, who have access to over 4.5 million quality parts and accessories. That's the kind of professionalism you can count on to help prolong the life of your new purchase for years to come. Purchase your Repair Protection Agreement today!

Some limitations and exclusions apply. For prices and additional information call 1-800-827-6655. Sears Installation Service

For Sears professional installation of home appliances, garage door openers, water heaters, and other major home items, in the U.S.A. call **1-800-4-MY-HOME®**

IMPORTANT SAFE OPERATION PRACTICES



WARNING: This symbol points out important safety instructions which, if not followed, could endanger the personal safety and/or property of yourself and others. Read and follow all instructions in this manual before attempting to operate this machine. Failure to comply with these instructions may result in personal injury. When you see this symbol—heed its warning.



WARNING: The Battery and Engine Exhaust contains chemicals known to the State of California to cause cancer, birth defects or other reproductive harm. The battery and posts contain lead; wash hands after handling.



WARNING: This machine was built to be operated according to the rules for safe operation in this manual. As with any type of power equipment, carelessness or error on the part of the operator can result in serious injury. This machine is capable of amputating hands and feet and throwing objects. Failure to observe the following safety instructions could result in serious injury or death.

General Operation

1. Read, understand, and follow all instructions on the machine and in the manual(s) before attempting to assemble and operate. Save this manual for future and regular reference and for ordering replacement parts.
2. Be familiar with all controls and their proper operation. Know how to stop machine and disengage them quickly.
3. Never allow children under 14 years old to operate this machine. Children 14 years old and over should read and understand operation instructions and safety rules in this manual and should be trained and supervised by parent.
4. Never allow adults to operate this machine without proper instruction.
5. To help avoid blade contact or a thrown object injury, keep bystanders, helpers, children and pets at least 75 feet from the machine while it is in operation. Stop machine if anyone enters the area.
6. Thoroughly inspect the area where the equipment is to be used. Remove all stones, sticks, wire, bones, toys, and other foreign objects which could be picked up and thrown by the blade(s). Thrown objects can cause serious personal injury.
7. Plan your mowing pattern to avoid discharge of material toward roads, sidewalks, bystanders and the like. Also, avoid discharging material against a wall or obstruction which may cause discharged material to ricochet back toward the operator.
8. Always wear safety glasses or safety goggles during operation and while performing an adjustment or repair to protect your eyes. Thrown objects which ricochet can cause serious injury to the eyes.
9. Wear sturdy, rough-soled work shoes and close-fitting slacks and shirts. Loose fitting clothes and jewelry can be caught in movable parts. Never operate this machine in bare feet or sandals.

10. Be aware of the mower and attachment discharge direction and do not point it at anyone. Do not operate the mower without the discharge cover or entire grass catcher in its proper place.
11. Do not put hands or feet near rotating parts or under the cutting deck. Contact with the blade(s) can amputate hands and feet.
12. A missing or damaged discharge cover can cause blade contact or thrown object injuries.
13. Stop the blade(s) when crossing gravel drives, walks, or roads and while not cutting grass.
14. Watch for traffic when operating near or crossing roadways. This machine is not for use on public roadway.
15. Do not operate the machine while under the influence of alcohol or drugs.
16. Mow only in daylight or good artificial light. Never carry passengers.
17. Disengage blade(s) before shifting into reverse. Back up slowly. Always look down and behind before and while backing to avoid a back-over accident.
18. Slow down before turning. Operate the machine smoothly. Avoid erratic operation and excessive speed.
19. Disengage blade(s), set parking brake, stop engine and wait until the blade(s) come to a complete stop before removing grass catcher, emptying grass, unclogging chute, removing any grass or debris, or making any adjustments.
20. Never leave a running machine unattended. Always turn off blade(s), place transmission in neutral, set parking brake, stop engine and remove key before dismounting.
21. Use extra care when loading or unloading the machine into a trailer or truck. This unit should not be driven up or down ramp(s), because the unit could tip over, causing serious personal injury. The unit must be pushed manually on ramp(s) to load or unload properly.
22. Muffler and engine become hot and can cause a burn. Do not touch.
23. Check overhead clearances carefully before driving under low tree branches, wires, door openings etc., where the operator may be struck or pulled from the unit, which could result in serious injury.
24. Disengage all attachment clutches, depress the brake pedal completely and shift into neutral before attempting to start engine.
25. Your machine is designed to cut normal residential grass of a height no more than 10". Do not attempt to mow through unusually tall, dry grass (e.g., pasture) or piles of dry leaves. Dry grass or leaves may contact the engine exhaust and/or build up on the mower deck presenting a potential fire hazard.
26. Use only accessories and attachments approved for this machine by the machine manufacturer. Read, understand and follow all instructions provided with the accessory or attachment.
27. Data indicates that operators, age 60 years and above, are involved in a large percentage of tractor-related injuries. These operators should evaluate their ability to operate the tractor safely enough to protect themselves and others from serious injury.
28. If situations occur which are not covered in this manual, use care and good judgment. Contact Sears service center for assistance.

Slope Operation

Slopes are a major factor related to loss of control and tip-over accidents which can result in severe injury or death. All slopes require extra caution. If you cannot back up the slope or if you feel uneasy, do not mow it.

For safety, **use the slope guide on page 45** to measure slopes before operating this unit on a sloped or hilly area. If the slope is greater than 15 degrees as shown on the slope gauge, do not operate this unit there.

Do:

1. Mow up and down slopes, not across. Exercise extreme caution when changing direction on slopes.
2. Watch for holes, ruts, bumps, rocks, or other hidden objects. Uneven terrain could overturn the machine. Tall grass can hide obstacles.
3. Use slow speed. Choose a low enough speed setting so that you will not have to stop or shift while on the slope. Tires may lose traction on slopes even though the brakes are functioning properly. Always keep machine in gear when going down slopes to take advantage of engine braking action.
4. Follow the manufacturer's recommendations for wheel weights or counterweights to improve stability of the machine. Use extra care with grass catchers or other attachments. These can change stability of the machine.
5. Keep all movement on the slopes slow and gradual. Do not make sudden changes in speed or direction. Rapid engagement or braking could cause the front of the machine to lift and rapidly flip over backwards which could cause serious injury.
6. Avoid starting or stopping on a slope. If tires lose traction, disengage the blade(s) and proceed slowly straight down the slope.

Do Not:

1. Do not turn on slopes unless necessary; then, turn slowly and gradually downhill, if possible.
2. Do not mow near drop-off sites, ditches or embankments. The mower could suddenly turn over if a wheel is over the edge of a cliff, ditch, or if an edge caves in.
3. Do not try to stabilize the machine by putting your foot on the ground.
4. Do not use a grass catcher on steep slopes.
5. Do not mow on wet grass. Reduced traction could cause sliding.
6. Do not shift to neutral and coast downhill. Over-speeding may cause the operator to lose control of the machine resulting in serious injury or death.

Children

1. Tragic accidents can occur if the operator is not alert to the presence of children. Children are often attracted to the machine and the mowing activity. They do not understand the dangers. Never assume that children will remain where you last saw them.
 - a. Keep children out of the mowing area and in watchful care of a responsible adult other than the operator.
 - b. Be alert and turn machine off if a child enters the area.
 - c. Before and while backing, look behind and down for small children.

- d. Never carry children, even with the blade(s) shut off. They may fall off and be seriously injured or interfere with safe machine operation.
 - e. Use extreme care when approaching blind corners, doorways, shrubs, trees or other objects that may block your vision of a child who may run into the machine.
 - f. Disengage the cutting blade(s) before shifting in reverse. The "No-Cut-In Reverse" feature emphasizes not to cut in reverse and to avoid back-over accidents; do not defeat it.
 - g. Keep children away from hot or running engines. They can suffer burns from a hot muffler.
 - h. Remove key when machine is unattended to prevent unauthorized operation.
2. Never allow children under 14 years old to operate the machine. Children 14 years old and over should read and understand the operation instructions and safety rules in this manual and should be trained and supervised by a parent.

Safe Handling Of Gasoline

1. To avoid personal injury or property damage use extreme care in handling gasoline. Gasoline is extremely flammable and the vapors are explosive. Serious personal injury can occur when gasoline is spilled on yourself or your clothes which can ignite. Wash your skin and change clothes immediately.
 - a. Use only an approved gasoline container.
 - b. Never fill containers inside a vehicle or on a truck or trailer bed with a plastic liner. Always place containers away from your vehicle before filling.
 - c. When practical, remove gas-powered equipment from the truck or trailer and refuel it on the ground. If this is not possible, then refuel such equipment on a trailer with a portable container, rather than from a gasoline dispenser nozzle.
 - d. Keep the nozzle in contact with the rim of the fuel tank or container opening at all times until fueling is complete. Do not use a nozzle lock-open device.
 - e. Extinguish all cigarettes, cigars, pipes and other sources of ignition.
 - f. Never fuel machine indoors.
 - g. Never remove gas cap or add fuel while the engine is hot or running. Allow engine to cool at least two minutes before refueling.
 - h. Never over fill fuel tank. Fill tank to no more than ½ inch below bottom of filler neck to allow space for fuel expansion.
 - i. Replace gasoline cap and tighten securely.
 - j. If gasoline is spilled, wipe it off the engine and equipment. Move unit to another area. Wait 5 minutes before starting the engine.
 - k. To reduce fire hazards, keep machine free of grass, leaves, or other debris build-up. Clean up oil or fuel spillage and remove any fuel soaked debris.
 - l. Never store the machine or fuel container inside where there is an open flame, spark or pilot light as on a water heater, space heater, furnace, clothes dryer or other gas appliances.
- m. Allow a machine to cool at least 5 minutes before storing.

General Service

1. Never run an engine indoors or in a poorly ventilated area. Engine exhaust contains carbon monoxide, an odorless, and deadly gas.
2. Before cleaning, repairing, or inspecting, make certain the blade(s) and all moving parts have stopped. Disconnect the spark plug wire and ground against the engine to prevent unintended starting.
3. Periodically check to make sure the blades come to complete stop within approximately (5) five seconds after operating the blade disengagement control. If the blades do not stop within the this time frame, your unit should be serviced professionally by an authorized dealer.
4. Check brake operation frequently as it is subjected to wear during normal operation. Adjust/service as required.
5. Check the blade(s) and engine mounting bolts at frequent intervals for proper tightness. Also, visually inspect blade(s) for damage (e.g., excessive wear, bent, cracked).
Replace the blade(s) with the original equipment manufacturer's (O.E.M.) blade(s) only, listed in this manual. "Use of parts which do not meet the original equipment specifications may lead to improper performance and compromise safety!"
6. Mower blades are sharp. Wrap the blade or wear gloves, and use extra caution when servicing them.
7. Keep all nuts, bolts, and screws tight to be sure the equipment is in safe working condition.
8. Never tamper with the safety interlock system or other safety devices. Check their proper operation regularly.
9. After striking a foreign object, stop the engine, disconnect the spark plug wire(s) and ground against the engine. Thoroughly inspect the machine for any damage. Repair the damage before starting and operating.
10. Never attempt to make adjustments or repairs to the machine while the engine is running.
11. Grass catcher components and the discharge cover are subject to wear and damage which could expose moving parts or allow objects to be thrown. For safety protection, frequently check components and replace immediately with original equipment manufacturer's (O.E.M.) parts only, listed in this manual. "Use of parts which do not meet the original equipment specifications may lead to improper performance and compromise safety!"
12. Do not change the engine governor settings or over-speed the engine. The governor controls the maximum safe operating speed of the engine.
13. Maintain or replace safety and instruction labels, as necessary.
14. Observe proper disposal laws and regulations for gas, oil, etc. to protect the environment.

Your Responsibility

Restrict the use of this power machine to persons who read, understand and follow the warnings and instructions in this manual and on the machine.

ASSEMBLY

Unpacking

1. Remove all screws and staples from the crate.
2. Holding sides of the crate firmly, lift top of the crate up and set it aside. Avoid tire punctures.
3. Remove and discard plastic bag covering the unit.
4. Lift the rear of the mower past the bottom of the crate. Repeat for the front.
5. Be sure the parking brake is disengaged. See Figure 4 for location of the parking brake.
6. Roll unit out of the crate.

Loose Parts

Remove loose parts from the grass catcher and/or the crate very carefully. Compare with list below.

- Mulching plug & side-discharge chute
- Oil drain hose
- Ignition keys
- Operator's manual

NOTE: Reference to *RIGHT* or *LEFT* side of the tractor in this manual is observed from operator's position.

- Your riding mower is shipped with motor oil in the engine. However, you **must** check the oil level before operating. Be careful not to overfill.

Attaching Side-Discharge Chute

Your riding mower is shipped to you with the grass catcher fully assembled on the unit. A side-discharge chute and a mulching plug are included as loose parts. Follow the instructions below to attach the side-discharge chute.



WARNING: Do not operate the mower if the grass catcher, discharge chute or mulching plug is not firmly installed on the mower.

1. Lower the cutting height adjustment lever to the lowest position.
2. To access the grass catcher, lift the hood assembly from the left side of the hood only. Stand on the right side of the unit and pivot the hood assembly towards you until fully opened. See Figure 1 .

NOTE: *Do not* lift the hood assembly by the two vent openings located behind the seat.

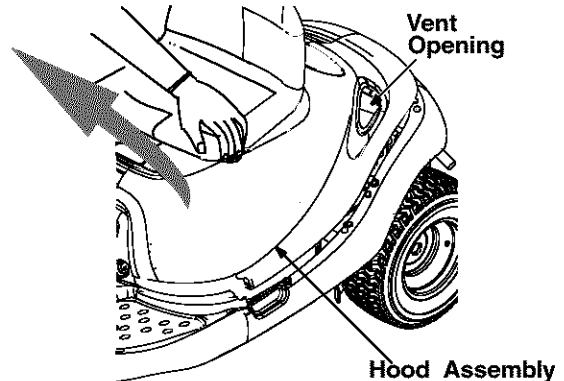


Figure 1

3. Remove the two wing nuts (A and B in Figure 2) from two ends of the grasscatcher chute.
4. Loosen the wing nut (C in Figure 2) in the middle of the chute. Do not remove.
5. Slide the grasscatcher chute to the right and out of the deck frame. Slide the side-discharge chute in and place it on the deck so that the three wing nut positions align with those on the deck.
6. Reinsert wing nuts A and B. Tighten all three.

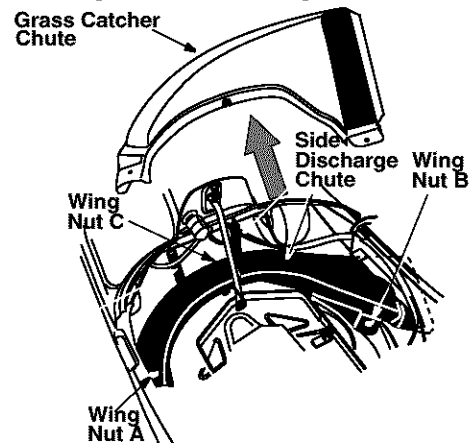


Figure 2

Attaching Mulch Plug

While operating your riding mower, you have three options: (i) to collect grass clippings in the grass catcher, (ii) to discharge grass clippings on the side, or (iii) to mulch grass and recirculate clippings back to the lawn. For the third option, attach the mulching plug to the side-discharge chute and then to the deck.

1. Put two hex bolts through the mulching plug at the respective openings. See Figure 3 .
2. Place nuts over the hex bolts.

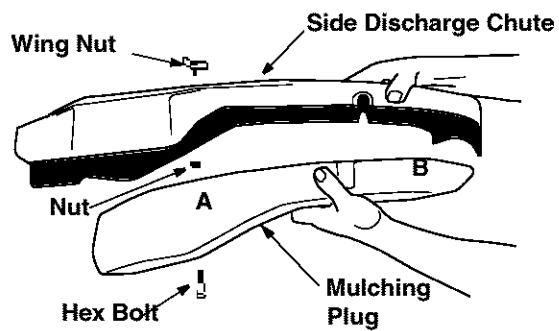


Figure 3

3. Insert the plug into the side-discharge chute aligning the two slots on two sides of the side-discharge chute with those on the mulching plug.
4. To attach the mulching plug now to the unit, follow earlier instructions to attach side-discharge chute to the deck.
5. Place wing nut on each of the hex bolts and thread a few turns. See Figure 3 . Check that the mulch plug is aligned correctly within the discharge chute.
6. Tighten both wing nuts.

OPERATION

Know Your Riding Mower

Compare the illustrations in Figure 4 with your riding mower to familiarize yourself with the location of various controls and adjustments.



WARNING: The operation of any riding mower can result in foreign objects being thrown into the operator's eyes, causing severe eye damage. **Always wear safety glasses** before operating the mower, or while performing any adjustments or repairs on it.

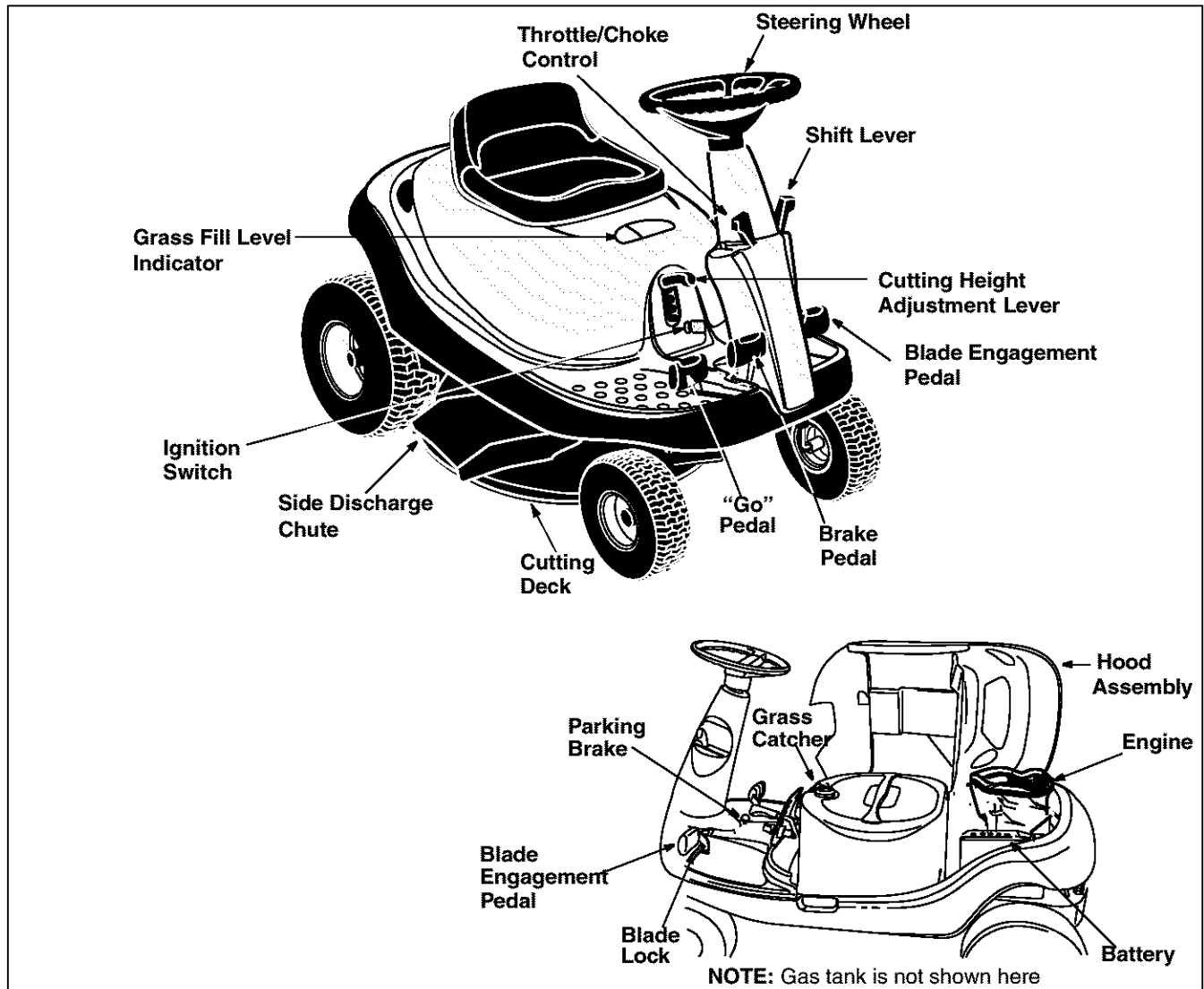


Figure 4

Throttle/Choke Control: Use to regulate the engine speed and to start the engine.

"Go" Pedal: Use to regulate the ground speed of the riding mower.

Ignition Switch: Use to turn the engine ON or OFF.

Shift Lever: Use to change direction of the mower.

Grass Fill Level Indicator: Use to determine the level

of grass clipping in the bag and when to empty it.

Parking Brake: Use to stop the mower from moving while parked.

Blade Engagement Pedal: Use to engage or disengage the blade.

Blade Lock: Use to lock blade at the engaged position.

Cutting Height Adjustment Lever: Use to raise and

lower cutting deck which determines the cutting height.

Brake Pedal: Use to stop the mower's forward or reverse motion.

For Your Safety

- Know location and function of all controls.
- Be sure blades and engine are stopped before placing hands or feet near blades.
- Before leaving operator's position, disengage blade(s), place the shift lever in neutral, engage parking brake, shut engine off and remove key.

Stopping the Riding Mower

1. Release blade engagement pedal all the way.
2. Release "Go" Pedal and depress the brake pedal.
3. When the mower comes to a complete stop, place the shift lever in neutral.
4. Engage the parking brake by pulling up on the parking brake knob.
5. Turn the ignition key to OFF position and remove the key.

Safety Interlock

This unit is equipped with a safety interlock system for your protection. The interlock safety switches are connected to the brake pedal, the blade engagement pedal, the shift lever, and the seat.

The purpose of the safety interlock system is threefold:

- To prevent the engine from starting unless the brake pedal is depressed and the blade engagement pedal is disengaged;
- To shut off the engine if the blade pedal is not disengaged when the shift lever is put into **reverse**; and
- To shut the engine off when the operator leaves the seat without engaging the parking brake.



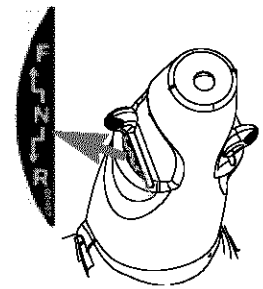
WARNING: To avoid the risk of serious injury, do not operate the riding mower if the interlock system is malfunctioning.

Using Shift Lever

This lever is used to regulate direction of the riding mower. It can be set at forward, neutral, or reverse settings. These settings are marked F, N, and R respectively on the unit. **This unit is designed not to mow when the shift lever is in R position.** (If the blade is engaged while shift lever is at the R position, the unit will shut off. To restart the unit, disengage the blade.)

1. Before you move the shift lever to any of the positions, depress the brake pedal and stop the unit. Keep your foot on the brake pedal.

2. The shift lever is locked at the N position. Move the lever outwards (left) and slide the lever upward to F or downward to R position as desired.

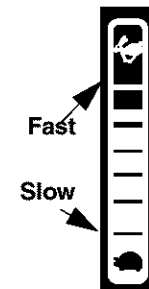


NOTE: Look to the rear and make sure the path is free of obstacles before positioning the shift lever to the reverse.

3. Do not force the shift lever. If it does not shift, release the brake pedal slightly to line up the shifting collar in the transmission, then try to move the shift lever.
4. Slowly release the brake pedal and take your foot off the pedal. Always make sure that there is no one in the way when you run the mower.

Using Throttle/Choke Control

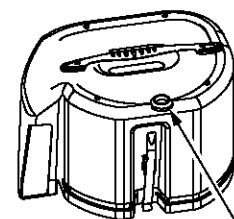
The throttle/choke control is used to increase or decrease the speed of the engine. The FAST and the SLOW positions are marked with illustrations of a rabbit and a turtle respectively.



- For normal operation and when using a grass catcher, move the throttle/choke control to the FAST position.
- For maximum charging of the battery and also for a cooler engine while running, move the throttle/choke control to the FAST position.
- For transport and to tow pull-behind attachments, move the throttle/choke control to the SLOW.

Grass Fill Level Indicator

This indicator was designed to add convenience to your riding mower. While the mower is running, air will flow through the discharge chute and into the grass catcher. If the grass catcher is **empty**, air flows through easily pushing the ball up. If the grass catcher is **full**, air does not flow through it allowing the ball to fall. So if you see the ball in the grass catcher fill level indicator falling down, you should stop the mower and empty the bag.



Grass Fill Level Indicator

Engine Model

This is a single cylinder, air-cooled engine. It is a low emissions engine.

Symbols Used

Message	Symbol
Safety alert	
On off	
Read owner's manual	
Oil	
Fuel shut-off	
Choke	
Fuel	
Stop	

For hazard symbol meanings, refer to page 44.

NOTE: In the state of California, the 210000 series engines covered in this manual are certified by the California Air Resources Board to meet emissions standards for 250 hours. Such certification does not grant the purchaser, owner or operator of this engine any additional warranties with respect to the performance or operational life of this engine. This engine is warranted solely according to the product and emissions warranties stated elsewhere in this manual.

Bore 3-7/16 in. (87.31 mm)

Stroke 2-17/64 in. (77.78 mm)

Displacement 21.00 cu. in. (344.1 cc)

IMPORTANT: For practical operation, the horsepower loading should not exceed 85% of rated horsepower. Engine power will decrease 3-1/2% for each 1,000 feet (300 meters) above sea level and 1% for each 10 F (5.6 C) above 77 F (25 C). Engine will operate satisfactorily at an angle up to 15 degrees.

Engine Controls

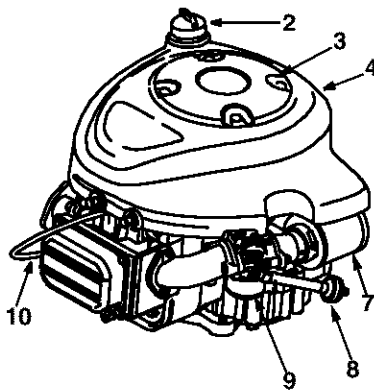


Figure 5

1.	Oil drain*
2.	Oil fill/Dipstick
3.	Rotating Screen
4.	Blower Housing
5.	Muffler*
6.	Electric Starter*
7.	Air Cleaner
8.	Fuel Filter
9.	Carburetor
10.	Spark plug wire

* Not shown

Using Parking Brake

To engage

1. Completely push the brake pedal down and stop the unit.
2. With your right foot on the brake pedal, move the shift lever to the neutral position.
3. Continuing to hold down the brake pedal with your right foot, pull up the parking brake knob. Make sure the parking brake holds the unit.
4. Release the brake pedal. Stop engine and remove ignition key. Now your riding mower is parked.

To release

5. Depress the brake pedal. The parking brake will be automatically disengaged.

Before Starting

Filling Up Oil

NOTE: The riding lawn mower is shipped with oil in the engine crankcase.

Check oil level in the engine oil sump before starting the engine. (Oil sump capacity: 48 oz./1.4 liter)

1. Place the mower on level ground and flip the hood assembly up to access the engine.

NOTE: Do not lift the hood assembly by the two vent openings located behind the seat.

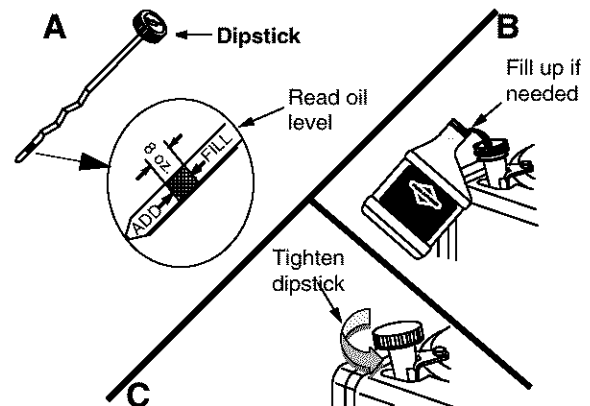


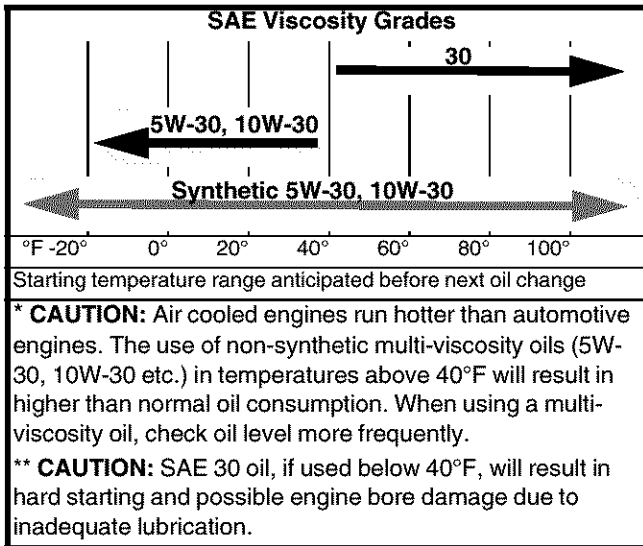
Figure 6

2. Remove dipstick and wipe it clean with cloth.
3. Replace and tighten the dipstick. Remove the dipstick again and check the oil level mark on it. The oil level should be at FULL line on the dipstick. See Figure 6A. If the level is short of that, add oil to the oil fill slowly. Recheck the oil level on the dipstick. If needed, add more oil. See Figure 6B. Do not overfill.
4. Place the dipstick in position and tighten to secure. See Figure 6C.

Type of Oil

1. Refer to the chart below for proper grade of oil.
2. Use a high quality detergent oil classified "For service SF, SG,SH, SJ" or higher.
3. Do not use special additives.

Synthetic oil meeting ILSAC GF-2, API certification and API service symbol with "SJ/CF Energy Conserving" or higher is an acceptable oil at all temperatures. Use of synthetic oil does not alter required oil change intervals.



Battery

Ordinarily the battery is charged and ready for use; so you will not have to charge it before starting. However, if the battery is put into service for the first time after the date shown on the side of the battery, you will have to charge it for a minimum of one hour at 4-6 amps. Refer to Service & Adjustments section of this manual for instructions on charging the battery.

The battery is located under the hood assembly above the left rear wheel. Refer to Figure 20 .

Filling Up Gasoline



WARNING: Fill fuel tank outdoors or in well-ventilated area, away from sparks, open flames, pilot lights, heat and other ignition sources.

NOTE: On a riding mower which has already been started and/or operated once immediately prior to this gasoline fill-up, turn engine off and let cool at least two minutes before removing gas cap.

1. Remove gas tank cap and fill tank to approximately 1.5 inches below top of neck to allow for fuel expansion. Be careful not to overfill.
2. Replace cap on the gas tank and tighten to secure.

NOTE: If fuel spills on part of engine or vehicle, wait until it evaporates before starting engine.

Type of Gasoline

- Use clean, fresh, regular unleaded gasoline with minimum 85 octane rating.
- Do not use gasoline mixed with methanol, or gasoline which has been stored for more than 30 days. Always purchase fuel in quantity that can be used up within 30 days. Fresh fuel prevents gum from forming in the fuel system or on carburetor.
- Do not mix gasoline with engine oil.

NOTE: Some fuels, called oxygenated or reformulated gasoline, are blended with alcohol or ether. Using these blends frequently can damage the fuel system or affect performance. If engine performance is affected, use gasoline with lower percentage of alcohol or ether.

Starting Engine

1. Be sure the wire is attached to the spark plug.
2. Depress the brake pedal with your right foot.
3. Set throttle/choke control in the CHOKE position (all the way forward).
4. Place the shift lever in the NEUTRAL position.
5. Turn ignition key to the START position. Once the engine starts, let key return to ON position.
6. Move throttle/choke control out of CHOKE position and into FAST throttle position.

NOTE: If engine floods, set choke to OPEN/RUN position, place throttle in FAST and crank until engine starts.

Operating the Riding Mower

1. Depress the brake pedal so that the parking brake is disengaged.
2. Place the shift lever in either the FORWARD or the REVERSE position as you desire. **Look to the rear and check before backing up.**
3. Release the brake pedal.
4. Depress the "Go" Pedal.
5. To stop, release the "Go" Pedal and depress the brake pedal.
6. Press the blade engagement pedal downward until the blades are turning. The blades can be engaged either while the mower is moving or standing.



WARNING: When the blades are engaged, keep hands and feet away from the discharge opening, the blades or any part of the deck.



WARNING: Do not tip the equipment at an angle which causes the gasoline to spill.

NOTE: Your riding mower is equipped with a blade lock to keep the blade engaged without the operator having to depress the blade pedal continuously. See Figure 4.

7. **To engage the blade lock:** While pressing down

on the blade pedal, push the blade lock down with your heel. It should click into the "blade engaged" position. To disengage the blade lock, simply push down on the blade pedal and release the lock.

Stopping the Riding Mower

See page 9 for detailed instruction.

NOTE: Do **not** leave the key in the ON position when you are not operating the mower. Such action will drain the battery dead.

NOTE: Do **not** choke carburetor to stop engine.

To Empty Grass Catcher

1. Stop the mower completely, pull up on the parking brake knob and take the ignition key out. Get off the operator's seat.
2. Pivot the hood assembly up. Pull up the grasscatcher bag by the handle and take it to the proper disposal site. See Figure 7.
3. Hold the bag away from your body. Push down on the bag lever and let the bottom section of the bag fall downwards. Grass clippings will be disposed off from the bottom. See Figure 7.
4. Tap the bag on the ground so that the three legs of the bag press against the ground. The bag lever should snap close while you push the bag downwards.
5. Replace the bag on to the mower making sure the bag is placed on the flange on top of the discharge chute. Pivot the hood assembly down.

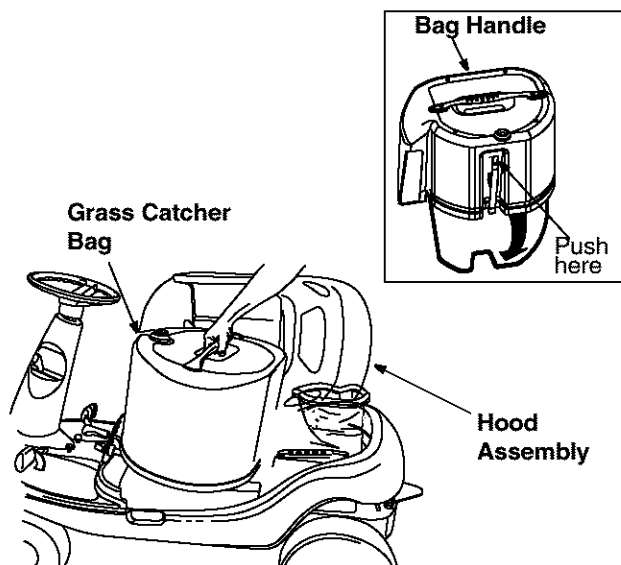
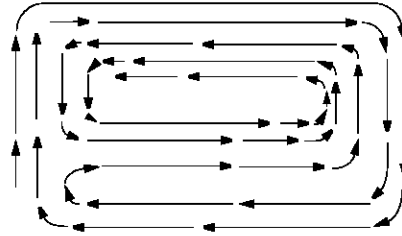


Figure 7

Using the Riding Mower

Observe safety rules listed on pages 3-5 of this manual for safe operation of your riding mower. The recommended mowing pattern is given below:



- Before mowing, make sure that the cutting deck is leveled. For deck adjustment, refer to page 17.
- You can engage the blade by pressing on the blade engagement pedal with your left foot while sitting at the operator's position.
- When mowing an area for the first time, watch out for objects lying on the grass. If you strike a foreign object, stop the engine. Remove wire from spark plug and thoroughly inspect the riding mower for any damage. Repair the damage before operating it again.
- Avoid scalping the lawn by adjusting the cutting height upwards and/or sharpening the blades.
- Mow at full throttle. Learn the terrain on which you are mowing. For best mowing results, mow only when the grass is dry.
- Mow grass often and in regular intervals so that you can cut only 1/3 of the grass blade in one mowing.
- To empty grass bag, **stop the riding mower completely**, engage the parking brake, and turn the ignition off. This will prevent the hot engine exhaust gas from browning the grass.
- Many communities no longer haul grass clippings to landfills. Composting the clippings from your grass catcher is a viable solution. For this you will have to empty the grass catcher at the designated composting site.

Mulching

- Your riding mower is equipped with a mulching plug to mulch the grass and recycle into the lawn instead of collecting in the grasscatcher bag.
- Mulch only when the grass is dry. Mulching wet grass may damage the underside of the deck because wet grass tends to stick to it. Clean deck thoroughly if you mulch wet grass.
- For effective mulching, overlap mowing paths so that the clippings are distributed evenly.

MAINTENANCE

General Recommendations



WARNING: Always stop engine and disconnect spark plug wire before any maintenance or adjustments. Always maintain safety and follow instructions given below closely for smooth completion of job.

- The warranty on this riding mower does not cover items that have been subjected to operator abuse or negligence. To receive full value from the warranty, operator must maintain the riding mower as instructed in this manual. Refer to the Maintenance Schedule below.
- We do not recommend the use of pressure washers or garden hose to clean your unit. These may cause damage to electrical components, spindles, pulleys, bearings or the engine. The use of water may shorten life of your riding mower and reduce its serviceability
- To ensure safe operation, all nuts and bolts must be checked periodically for correct tightness.

Maintenance Schedule

	First 5 hrs.	25 hours	50 hours	100 hrs.	Season	Reassembly
Check blade, sharpen or replace if needed		✓				✓
Lube pivot points, steering shaft, gear					✓	
Lube deck linkage, front wheels					✓	
Change engine oil	✓		✓			
Service air cleaner in engine		✓				
Service spark plug				✓	✓	
Clean cooling system of the engine				✓		

Blade Care



WARNING: Protect your hands by wearing heavy gloves or using a rag to grasp the cutting blade. Avoid personal injury.

Removal

1. Remove the 5/8" hex flange nut which holds the blade to the blade spindle.
2. Remove blade from the spindle. See Figure 8.

Sharpening

1. When sharpening the blade, follow original angle of grind as a guide. It is extremely important to grind each cutting edge **equally** to prevent an unbalanced blade.
2. Test the blade by balancing it on a round shaft screwdriver. Remove metal from the heavy side until it balances evenly.



WARNING: Unbalanced blade may cause excessive vibration at high speeds, may damage the riding mower and/or cause personal injury.

Reassembly

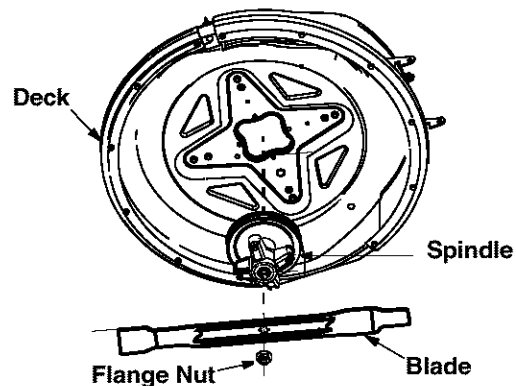


Figure 8

1. Before reassembling the blade to the unit, lubricate the spindle with light oil (or engine oil).
2. Align "star" fitting on new blade with the "star" on the spindle.
3. Install the blade with the side of the blade marked "Bottom" (or with part number) facing the ground when the riding mower is in the operating position.
4. Tighten the flange nut securely. See Figure 8.

Blade Mounting Torque: 70/90 ft.-lbs. maximum.

Lubrication

See Figure 9 for an illustration of the lube points described below.

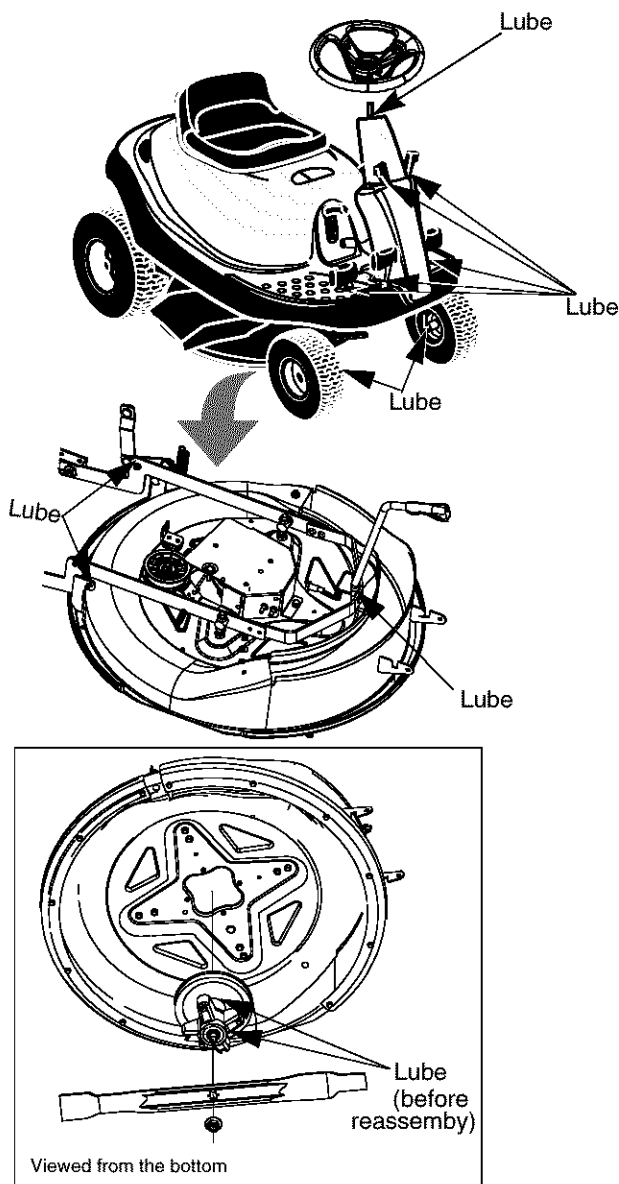


Figure 9: Lubrication Chart

- **Blade Assembly:** Lubricate blade assembly and deck spindle only while reassembling the blade either after sharpening or replacement.
- **Pivot Points:** Lubricate pivot points with light oil once a season.
- **Steering Shaft and Gear:** Lubricate steering shaft and spline at least once a season with light oil.
- Lubricate teeth of the external steering gears with automotive multi-purpose grease every 25 hours of operation or once a season.
- **Linkage:** Lubricate all deck linkage and height adjustment linkage with a light oil.
- **Front Wheels:** Lubricate front wheels at least once a season with automotive multi-purpose grease.

Engine



WARNING: Before performing any maintenance on the engine, disconnect the spark plug wire and the battery to prevent unintentional starting or sparking.

- Change engine oil after first five to eight hours of use, then every 50 hours or every season, whichever comes earlier. Change oil every 25 hours when operating the riding mower under heavy load or in high temperatures.
- Poor engine performance and flooding usually indicate that air cleaner should be serviced. Service pre-cleaner and the cartridge every 25 hours of use or once every season, whichever comes earlier. Clean more frequently under dusty conditions. Also replace air cleaner parts if these are very dirty.
- The spark plug should be cleaned and the gap reset every 100 hours of use or once a season, whichever comes earlier.

Cleaning Engine

1. Promptly wipe off any fuel or oil spilled on the machine with clean cloth.
2. Clean the underside of the blade housing after each mowing. Do not let clippings or debris accumulate around the blade which may cause rust on the deck.
3. Using a brush or cloth, remove grass, chaff or debris from the finger guard on the engine daily to prevent overheating of the engine. Do not clean with a forceful spray of water since water contaminates the fuel system.
4. Keep the throttle linkage, springs and controls free of debris.
5. If engine muffler is equipped with spark arrester screen, remove and clean the screen regularly. Replace if damaged or plugged with debris. Clean muffler area and remove any grass or other debris before operating the unit.

Air Cleaner

Service the air cleaner every 25 hours of operation. Service more frequently if operating under extremely dusty conditions. Locate air cleaner on engine.

1. Remove clamp and pull air cleaner from intake manifold.
2. Replace with air cleaner (Sears part # 698-973).
3. Reassemble the air cleaner.

Spark Plug

1. Clean area around the spark plug base.
2. Remove and inspect the spark plug.
3. Replace the spark plug if electrodes are pitted, burned, or the porcelain is cracked. See Figure 10.

- Clean the spark plug and reset the gap to 0.020" at least once a season or every 100 hours of operation. See Figure 10 . Replace if necessary. Refer to parts list section for part number.

NOTE: Do not sandblast spark plug. Spark plug should be cleaned by scraping or wire brushing and washing with a commercial solvent.

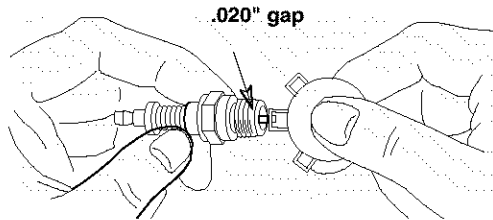


Figure 10

Changing Oil

Your riding mower has a plastic oil drain hose, packed with the loose parts, for draining oil from the crankcase.

- Run the mower engine for a few minutes, and turn the ignition key off. Make sure that the riding mower is completely stopped and parking brake engaged.
- Lift the hood assembly to access the oil drain valve.
- Remove yellow valve cover on the oil drain valve and attach one end of the oil drain hose to this opening. This valve is located at the end of a 90 degree fitting near the fuel tank mounting bracket. See Figure 11.
- Lead the other end of the oil drain hose into a

- suitable container for collecting spent engine oil.
- Grip oil drain valve, push in and turn counter-clockwise until it stops. See Figure 11 inset. Pull out the drain valve.
- Wait till oil has drained into container completely.
- Grip oil drain valve, push in, then turn clockwise until it stops.

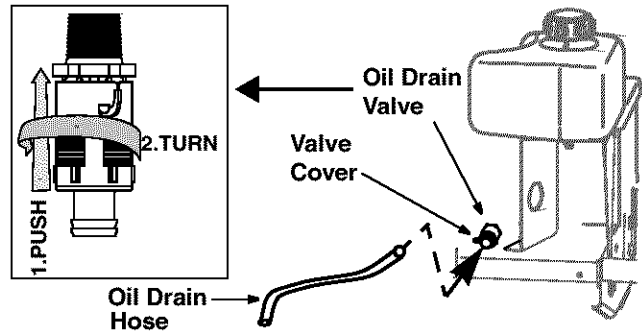


Figure 11

- Carefully disconnect the hose from the oil drain valve to avoid spillage on the equipment and replace the yellow cap. Remove container and dispose off the spent oil appropriately.
- Remove dipstick from the oil fill on the engine.
- Fill up with fresh engine oil of appropriate grade. Refer to the viscosity chart on page 11 for oil type.
- Check oil level as instructed on page 10. Add more oil if needed and tighten the dipstick securely.
- Flip the hood assembly back.

SERVICE & ADJUSTMENTS

Adjustments

Brake Pedal

The brake pedal needs to contact the PTO (power take off) switch for the engine to start. During normal operation of the riding mower, the brake is subject to wear and tear. Periodically check the brake by carrying out the following test:

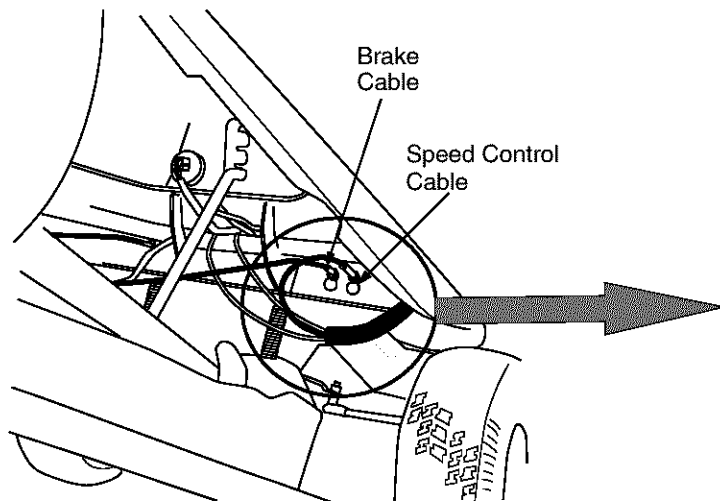
1. Release the parking brake and place the riding mower in neutral.
2. Depress the brake pedal and try to roll the riding mower. The tractor should not move. If the tractor moves, adjust the brake.



WARNING: Do not adjust the brake while the engine is running. Be sure to block the wheels of the riding mower before making any adjustments on the brake cable.

Adjustment to the brake pedal is made at the cable end. See Figure 12 .

1. Set the parking brake and turn ignition key off.
2. Shift the cutting height lever to the lowest position.
3. Pivot the hood assembly up and remove the grasscatcher bag and the side-discharge chute or the mulching plug from the riding mower.
4. Disconnect wire from the spark plug.
5. Locate the brake cable on the right side under the front housing. See Figure 12 .
6. Using a pair of 1/2" wrenches, loosen the jam nuts and back the cable out to tighten or thread inward to loosen. See Figure 12 inset.
7. Retighten the jam nuts when proper tension is reached.



8. Unlock parking brake and repeat the test described above. Readjust if necessary.

"Go" Pedal

Adjustment to the "Go" Pedal is made at the cable end. See Figure 12 .

1. Set the parking brake and turn ignition key off.
2. Shift the cutting height lever to the lowest position.
3. Pivot the hood assembly up and remove the grasscatcher bag and the side-discharge chute or the mulching plug from the riding mower.
4. Disconnect wire from the spark plug.
5. Locate the speed control cable under the front housing. See Figure 12 .
6. Loosen the jam nuts and back the cable out to tighten or thread inward to loosen as shown.
7. Retighten the jam nuts when proper tension is reached.
8. Reconnect the spark plug wire and pivot the hood assembly down.

Cutting Height

The deck cutting height adjustment lever is located on the hood assembly. For a representation of the cutting height positions, refer to Figure 4.

1. Pull the lever out of the slot and slide it upward or downward to the desired cutting height.
2. Lower the cutting height to mow close to the ground.
3. Raise the deck height to the highest position when you ride on a sidewalk or a road.
4. To mow tall or thick grass, first cut with height adjustment lever at the highest position, then cut again with the lever at a lower position.

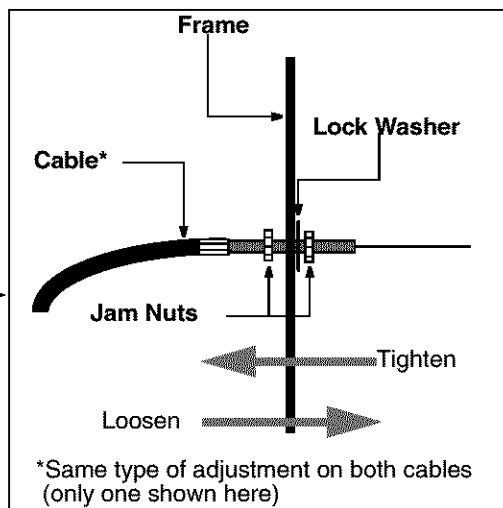


Figure 12

Seat Position

The seat position on the riding mower can be adjusted to maximize the operator's convenience.

1. Stop the mower completely and engage the parking brake. Turn ignition off.
2. Pivot the hood assembly up.
3. Loosen the four self-tapping screws on the bottom of the seat.
4. Slide the seat forward or backward in the slot, and position it as desired. Retighten the four screws.

Blade Engagement Pedal

The blade engagement pedal should be adjusted so that if you depress it about 3/4" from the front of the blade brake slot, it will contact the PTO switch and cause it to engage the deck belt.

Under normal operation, the blade engagement pedal should not require frequent adjustment. However, perform the following test periodically and make sure that it is in fine working condition.

1. Pivot the hood assembly up and check if there is enough slack on the deck engagement cable.
2. Depress the blade engagement pedal (about 3/4 inch) and check if the belt is engaging.
3. If the cable is tight or too loose or the belt is not engaging, adjust the deck engagement cable.

NOTE: The deck engagement cable will be correctly adjusted when the cable moves approximately 1/2" off center line in both directions.

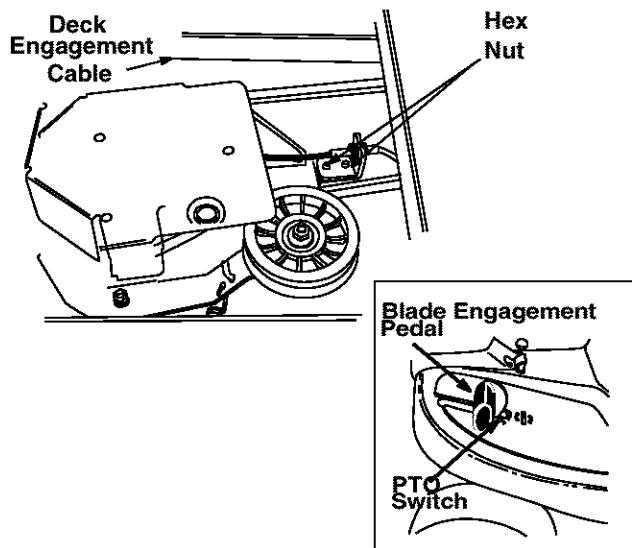


Figure 13

Adjustment to the blade brake will have to be made at the cable end. See Figure 13.

1. If the belt is slipping when you depress the blade engagement pedal about 3/4", loosen the two hex nuts on the cable. See Figure 13.

2. If the belt is engaging sooner than when the blade engagement pedal is 3/4" from the PTO switch, tighten both hex nuts on the cable. See Figure 13.
3. Repeat the blade engagement test and readjust if necessary.
4. Pivot the hood assembly back.

Wheel Alignment

The front wheels should toe-in 1/16-5/16 inch. To adjust toe-in, follow these steps:

1. Remove the 3/8" hex nut and lock washer which hold the ball joint to the steering segment. See Figure 14.
2. Adjust the ball joint in or out until the wheels toe-in approximately 1/16-5/16" (Dimension "B" should be approximately 1/16-5/16" less than dimension "A"). See Figure 14.
3. Replace the ball joint into the steering segment, and replace the 3/8" hex nut and the lock washer.

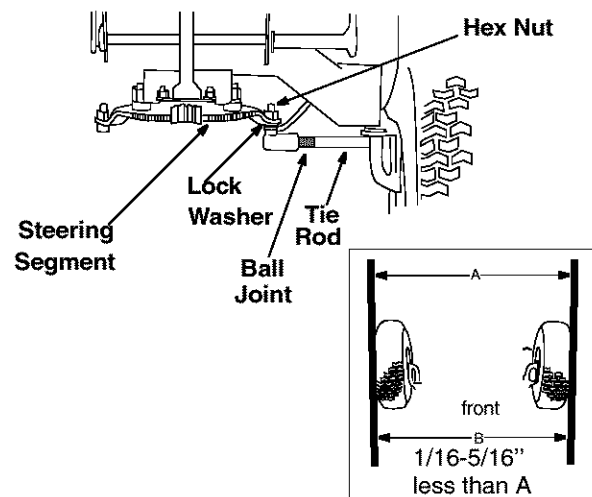


Figure 14

Adjusting the Deck

There are three tests for checking deck leveling on the riding mower. The results of each test will determine what kind of leveling, if at all, the equipment needs.

IMPORTANT: Perform adjustments to the deck on a flat, level surface. Before continuing with deck adjustment, check air pressure in all four tires. Recommended air pressure is 12 psi. Please note that the valve stems on this riding mower are on the inside of the front wheels and on the outside of the rear wheels.

Test 1: Checking Rear Deck Height Adjustment

1. Lift the hood assembly and remove grass catcher from the riding mower. Place the deck in the highest position.
2. Inspect rear of deck. If the deck is contacting the cable bracket in front of the transmission, you will have to adjust the rear deck height.

Test 2: Checking Front to Rear Leveling

1. Place the deck in the highest position.
2. Wearing a pair of heavy work gloves to prevent injury, rotate the cutting blade so that it is pointed front to back and parallel to the rider. Depress and lock the deck engagement pedal.
3. Measure the distance from the front and the rear tips of the blade to the ground. The front should be approximately 1/4" to 3/8" lower than the rear.
4. If the distance is higher, level the deck front to rear.

Test 3: Checking Side to Side Leveling

1. Place the deck in the highest position.
2. Wearing a pair of heavy work gloves to prevent injury, rotate the cutting blade so that it is pointed side to side and perpendicular to the rider. Depress and lock the deck engagement pedal.
3. Measure the distance from the tips of the blade to the ground.
4. If the two distances are unequal, level the deck side to side.

Adjusting Rear Deck Height

1. Completely loosen, but do not remove, the top hex nut out of the three hex nuts that hold the hex bolt and the ferrule on the deck hanger link assembly. See Figure 15.

IMPORTANT: Do not try to loosen/ tighten bottom nut.

2. Thread the middle nut as far down as possible.
3. Locate the lower links at the rear of the deck. Working on one side at a time, disconnect the helper springs from them.
4. Remove each lower link by removing both hair pin clip and washers.
5. Reattach lower links as shown in Figure 15 inset.

Front to Rear Leveling

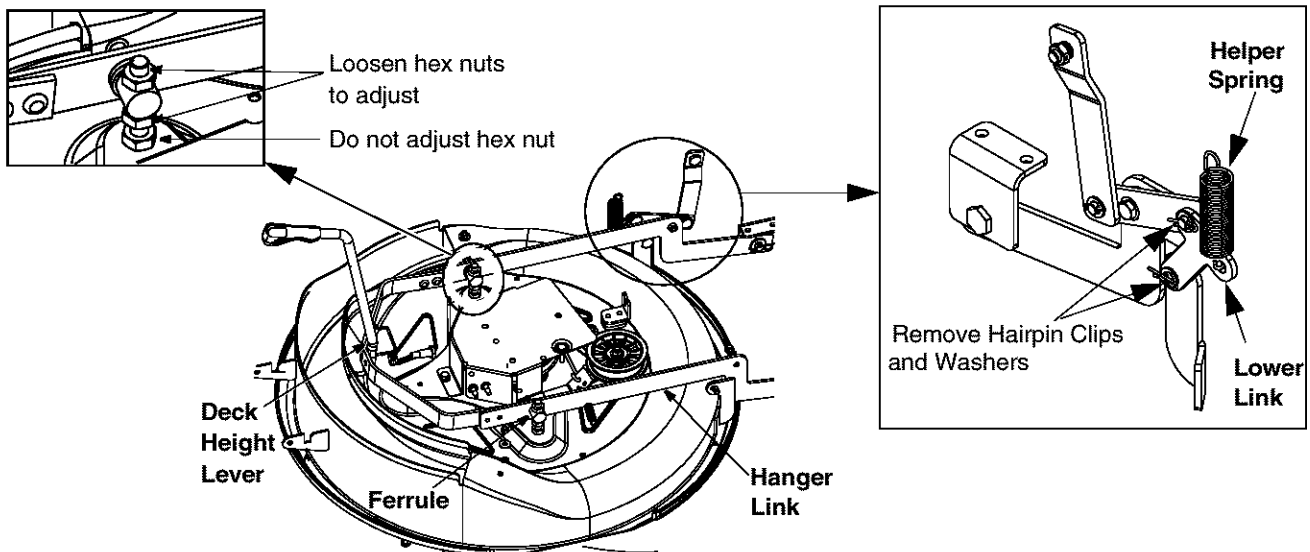


Figure 15

1. Place the deck in the highest position.
2. Wearing a pair of heavy work gloves to prevent injury, rotate the cutting blade so that it is pointed front to back and parallel to the rider. Depress and lock the deck engagement pedal.
3. Completely loosen, but do not remove, the top hex nut out of the three hex nuts that hold the hex bolt and the ferrule on the deck hanger link assembly. See Figure 15.

IMPORTANT: Do not try to loosen/ tighten bottom nut.

4. Thread the middle nut as far down as possible.
5. Keeping an equal number of threads above each of the nuts, thread the upper nut down until the front tip of the blade is 1/4" to 3/8" lower than the rear tip of the blade. Note that threading this nut down will raise the front of the deck.
6. Thread the middle nut up against the base of the ferrule. See Figure 15.
7. Tighten the upper nut against the top of the ferrule to lock adjustment.

Side to Side Leveling

1. Place the deck in the highest position.
2. Wearing heavy work gloves to prevent injury, rotate the blade so that it is pointed side to side and perpendicular to the rider. Depress and lock the deck engagement pedal.
3. Loosen the middle hex nut.
4. Thread the top hex nut up or down in order to set both tips of the blade at an equal height from the ground. Remember to thread the nut down to raise the deck, and thread up to lower the deck.
5. Once the deck is level, thread the middle hex nut to tighten against the ferrule. Make sure the cut is even and the lift lever moves to all cutting heights.

Adjusting the Carburetor

Differences in fuel, temperature, altitude or load may require minor carburetor adjustments. The carburetor on this engine is equipped with an idle mixture valve with a limiter which allows some adjustment, and an idle speed adjustment screw. Remember that the air cleaner must be assembled to the carburetor before re-starting the engine. Refer to page 14 for details.

NOTE: Engines, operated at approximately 3000 to 5000 feet above sea level, may require a high altitude carburetor nozzle. If your riding mower performs erratically, contact Sears service center for the nozzle.

To adjust the carburetor, follow the steps below:

1. Start the engine and run it for at least 5 minutes to warm up.
2. With the engine running, place throttle control in SLOW position.
3. Lift the hood assembly up as instructed on page 7.
4. Remove the black cap from the rider frame. See Figure 16 . Access the carburetor throttle lever and idle speed screw from this opening.

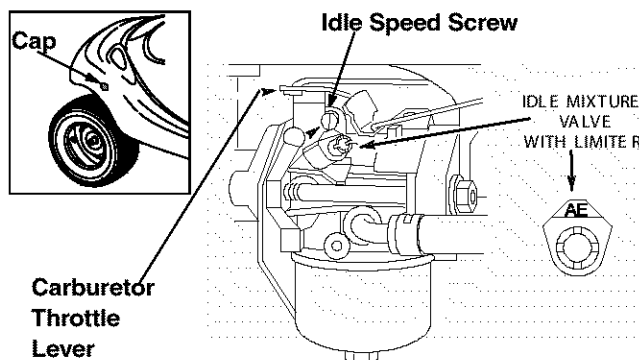


Figure 16

5. Rotate carburetor throttle lever against the idle speed screw and hold it. Turn idle speed screw to obtain 1750 rpm, using a tachometer to measure.
6. Rotate idle mixture valve full travel clockwise and then counter-clockwise. Do NOT remove limiter caps. Do NOT force beyond limits.
7. Place idle mixture valve in middle of travel.
8. Move throttle control to FAST position. The engine should accelerate smoothly. If it does not, adjust idle mixture valve counter-clockwise 1/8 turn.
9. Replace the black cap on the riding mower frame and put the hood assembly back.

Fuse Replacement

The fuse is located next to the spark plug under the rear frame. Fuses seldom fail without a reason. If the fuse blows, the source problem must be corrected or the new fuse will blow again.

1. Check for loose connections in the fuse holder and replace holder if necessary. A dead short may be in

- the cranking or charging circuit where insulation may have rubbed through and exposed bare wire.
2. Replace the wire or repair with electrician's tape if the wire strands have not been damaged. Also look for a wire pinched between body panels, burned by the exhaust pipe or muffler, or rubbed against a moving part.
3. Stop the riding mower and engage the parking brake. Remove ignition key.
4. Pivot the hood assembly up. Disconnect the spark plug wire and ground it.
5. Pull the fuse out of the lead wire.
6. Replace with new automotive fuse.
7. Make sure to reconnect the spark plug wire before pivoting the hood assembly back.

Belt Replacement

There are two drive belts and one deck belt in this unit; follow description below to identify the belts.

- **Deck belt** goes from the deck pulley to the lower sheave in engine pulley.
- **Lower drive belt** goes from the variable speed pulley to the transmission pulley.
- **Upper drive belt** goes from the variable speed pulley to the upper sheave of engine pulley.

Periodically check if these belts are too loose or damaged. If so, replace with new belt.

Deck Belt

1. Engage the parking brake and turn the ignition off. Pivot the hood assembly up and remove the grass catcher. Remove the spark plug wire.
2. Put the deck at the lowest cutting height by adjusting the cutting height adjustment lever to the lowest position.

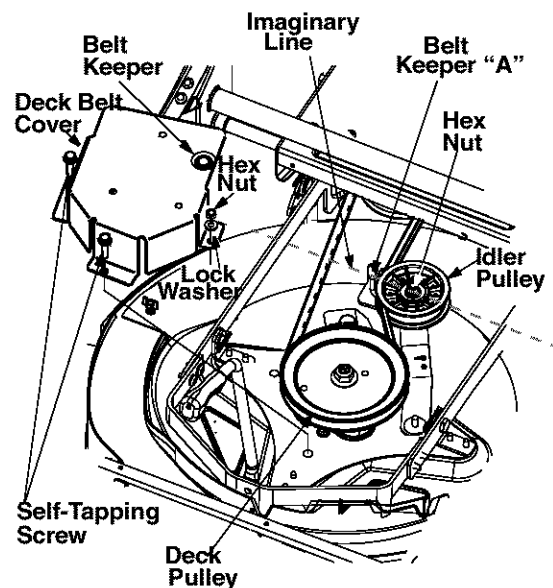


Figure 17

- Using a 1/2" socket wrench, remove two self-tapping screws, lock washer and hex nut that hold the deck belt cover to the deck. See Figure 17. For this, you will have to work from the top left side of the riding mower. Remove the belt cover.
- Using a 9/16" wrench, loosen the hex nut on the idler pulley. See Figure 17.
- Remove belt from around deck pulley, idler pulley, and the engine pulley.
- Place the new belt around the deck pulley and the engine pulley making sure that the belt is routed inside the belt keepers. There are two belt keepers under the grass catcher, one on the idler and the other under the deck belt cover. See Figure 17.
- Reinstall deck belt cover and secure with two each of self-tapping screw, lock washer and hex nut.

NOTE: Belt keeper "A" must be mounted on the outside of the belt.

- Make sure to align the belt keeper in line with the frame. See Figure 17.

NOTE: An imaginary line between the belt keeper and idler pulley should be parallel to frame. See Figure 17.

- Replace the grass catcher and pivot the hood assembly back.

Lower Drive Belt

- Remove the rear deck belt guard following first five steps for deck belt removal. Remove belt from the engine pulley. See Figure 18.

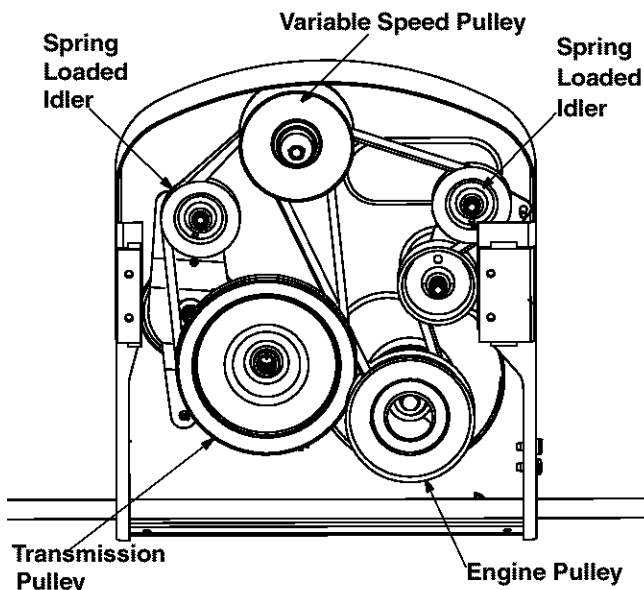


Figure 18

- Push the spring loaded idler, located on the left side of the transmission, to the right. Remove belt from around the idler and then the transmission pulley. See Figure 18.
- Using a 9/16" socket, remove bolt, spacer and the flat washer from the variable speed pulley.

- Drop the pulley down and remove the belt.
- Replace new belt and reassemble.

IMPORTANT: Make sure that the belt is **routed inside of belt keeper**, and the belt keeper is reassembled in the same location from where it was removed.

Upper Drive Belt

- Remove the engine pulley using a 5/8" socket wrench with a 6" extension. The engine pulley is located in front of the transmission. See Figure 18.
- Drop the engine pulley down and remove the belt from around it.
- Push the idler bracket to the right and remove the belt. See Figure 18.
- Replace belt and reassemble.

Battery Service

The battery is located under the hood assembly. The positive battery terminal is marked (+); the negative battery terminal is marked (-).

Safe Handling

- Shield eyes and protect skin and clothing when handling battery acid (electrolyte) or a battery containing acid.
- Keep sparks, flame, cigarettes and other sources of ignition away. Remember that battery contains explosive gases.
- Work in a well-ventilated area when filling (activating), charging and using the battery.



WARNING: Do **not** short battery terminals by making a connection between either two battery posts or between the positive terminal, marked + on the battery, and the riding mower frame. Before installing battery, remove metal bracelets, wristwatch bands, rings etc. from your person.

- Always keep the rubber boot positioned over the positive terminal to prevent shorting.
- Connect positive terminal first to prevent sparks from accidental grounding.
- Do not use the riding mower battery to start other vehicles.



WARNING: Battery posts, terminals and related accessories contain lead and lead compounds. Wash hands after handling.

- Always keep battery cables and terminals clean and free of corrosive build-up.
- After cleaning, apply a light coat of petroleum jelly or grease to both terminals.
- If removing the battery for any reason, disconnect the **NEGATIVE** (black) wire from its terminal first, followed by the **POSITIVE** (red) wire.

- When re-installing battery, always connect the POSITIVE (red) wire to its terminal first, followed by the NEGATIVE (black) wire.

IMPORTANT: Be certain that wires are connected to the correct terminals; reversing them could change polarity and cause damage to the engine's alternating system.

To jump-start the battery

NOTE: This riding mower is equipped with a remote battery charging terminal on the solenoid on the right side of the frame under the hood. Follow the instructions below to use this terminal.

- Do **not** jump-start directly at the battery.
 - Do **not** allow positive and negative cable clamps to touch each other.
 - Do **not** jump-start a damaged or frozen battery.
1. Pull back the boot from the forward most terminal connected to the solenoid. See Figure 19.
 2. Connect the positive (+) lead of the jumper cable to this terminal. See Figure 19.

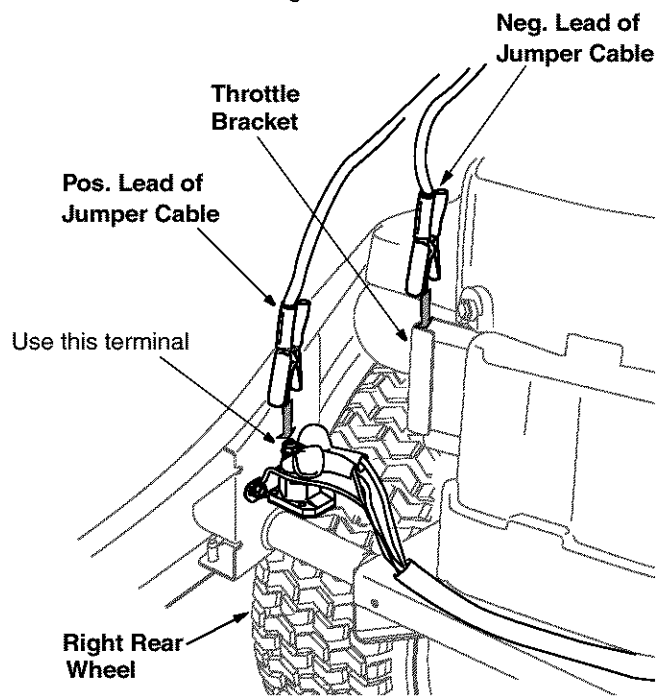


Figure 19

3. Connect the other end of the positive (+) jumper cable to the positive (+) post of the good battery.
4. Connect one end of the negative (-) jumper cable to the negative (-) post of the good battery.
5. Connect the other end of the negative (-) cable to the throttle bracket. See Figure 19.
6. Start the tractor and leave it running to charge the battery.
7. Disconnect the negative (-) jumper cable from the tractor.
8. Disconnect the other end of the negative (-) jumper cable from the negative (-) post of the good battery.

9. Disconnect the positive (+) jumper cable from the positive (+) post of the good battery.
10. Disconnect the other end of the positive (+) jumper cable from the solenoid.
11. Replace boot over the forward most terminal from where you removed it in Step 1. See Figure 19.

To charge the battery

If battery is new or if the riding mower has been stored for an extended period of time, charge the battery for one hour with a battery charger (output 6 amps) before using your riding mower. Read safe operating instructions on battery charger before starting this job.

IMPORTANT: If a charger with 6 amps output is not available, use a lower output charger for a longer charging period. However, do not use a charger with higher than 6 amps output.

If a charger is not available, but the battery is able to start the riding mower, run the mower for a minimum of one hour of mowing to charge the battery with the engine's charging system.

NOTE: Use the remote terminal on the solenoid to charge the battery. Do not charge at the battery.

1. Pull back the boot from the forward most terminal connected to the solenoid. See Figure 19.
2. With the battery charger off, connect the positive (+) lead of the charger cable to this terminal. See Figure 19.
3. Connect negative (-) lead of the charger cable to the throttle bracket.
4. Turn the battery charger on. Charge the battery until the indicator on the charger shows full charge.
5. Turn battery charger off. Disconnect the negative charger cable (marked -) from the throttle bracket.
6. Disconnect the positive charger cable (marked +) from the solenoid terminal.
7. Replace boot over the forward most terminal (from where you removed it in Step 1). See Figure 19.

To Remove Battery

1. Make sure that the riding mower is stopped completely. Lift the hood assembly up to access the battery.
2. Remove the wing nuts securing the battery hold-down rods to the battery cover.
3. Pull the battery cover up and keep it away.
4. Loosen the screw at the negative terminal and remove the cable. Repeat at the other terminal.
5. Remove the battery.

Attaching Battery Cables

1. Remove wing nut on the battery hold-down rod at each end of the battery cover. See Figure 20.
2. Remove the battery cover from the battery to access the terminals.

3. Pull the boot up and remove screw from positive terminal with a wrench.
4. Attach the red battery cable to this positive terminal and tighten securely. See Figure 20 .
5. Remove screw from negative terminal with a wrench.

WARNING: Be careful **not** to contact any adjacent metal part or short across posts.

6. Attach the black battery cable to this negative terminal on the battery and tighten securely. See Figure 20 .
7. Reposition the battery cover on top of the battery, making sure it goes over the flange of the nearby heat shield. See Inset A in Figure 20 . Tuck away the battery cables completely under the battery cover. See Inset B in Figure 20 . Check to ensure that the cables pass easily through slots in the battery cover.

WARNING: Keep battery cables away from the engine exhaust system.

8. Reinstall wing nuts on the battery hold-down rods and tighten.
9. Place right hand on the left side of the seat and slowly lower the hood assembly until fully closed.

WARNING: Battery posts, terminals and related accessories contain lead and lead compounds. Wash hands after handling.

CAUTION: *Do not* place your hand around the bottom edge of the hood assembly; it may get pinched between the hood assembly and grass catcher or the frame rail.

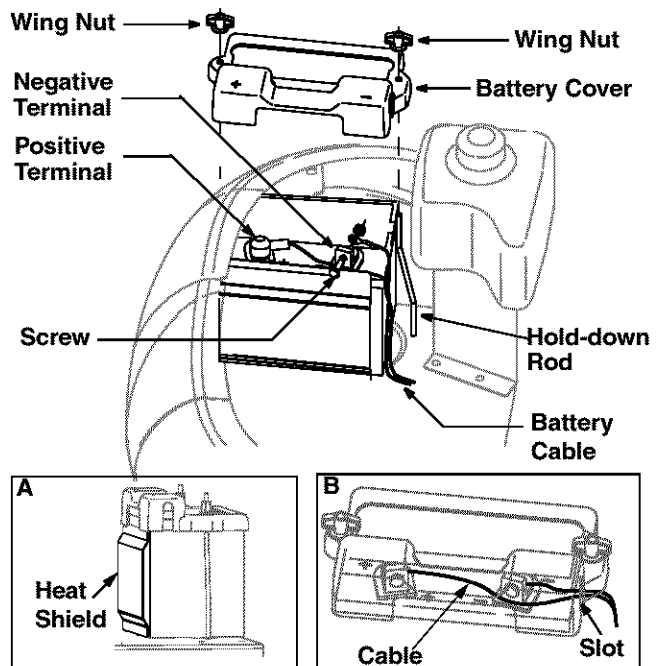


Figure 20

Fuel Filter

WARNING: Drain fuel tank or close fuel shut-off valve before replacing fuel filter. Otherwise fuel can leak creating a fire/explosion hazard.

Your unit is equipped with a replaceable in-line fuel filter. Loosen the clamps and replace filter whenever contamination or discoloration is noticed. See Figure 21. Order replacement filter from Sears service center.

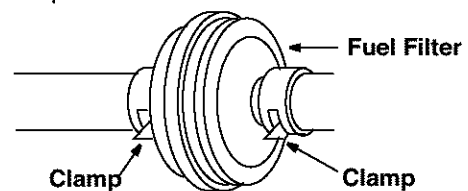


Figure 21

OFF-SEASON STORAGE

If the machine is to be inoperative for a period longer than 30 days, prepare for storage as follows.

Battery

1. Charge battery fully. The battery loses some of its charge each day when the unit is not used. NEVER store battery without a full charge. Recharge battery before returning to service or every two months, whichever occurs first.
2. When storing unit for extended periods, disconnect battery cables and remove the battery from the unit.
3. Clean dirt and chaff from cylinder, cylinder head fins, blower housing, rotating screen and muffler.

Engine

Engines, stored over 30 days, need special attention to prevent gum formation in the fuel system or on the carburetor.

1. If fuel tank contains oxygenated or reformulated gasoline, that is gasoline blended with alcohol or ether, run engine until dry.
2. If fuel tank contains gasoline, either run engine till dry or add an additive to the gas. If you are using

additive, run the engine for several minutes to circulate the additive through the carburetor.

3. Change oil on a warm engine.
4. Remove spark plug and pour about one ounce of engine oil into cylinder. Replace the spark plug and crank engine slowly to distribute the oil.
5. Clean engine of debris, chaff or grass clippings.
6. Store engine and riding mower in a clean, dry area far away from stove, furnace, water heater or similar appliances using a pilot light or any other sparking device.

Riding Mower

1. Clean the engine and the entire unit thoroughly.
2. Lubricate all pivot points. Wipe the entire machine with an oiled rag to protect the surfaces.
3. Transport the mower with fuel tank empty. Store unit in a clean, dry area. Do not store next to corrosive materials, such as fertilizer.
4. When storing any type of power equipment in an unventilated or metal storage shed, care should be taken to rustproof the equipment. Using a light oil or silicone, coat the equipment, especially any chains, springs, bearings and cables.

TROUBLESHOOTING

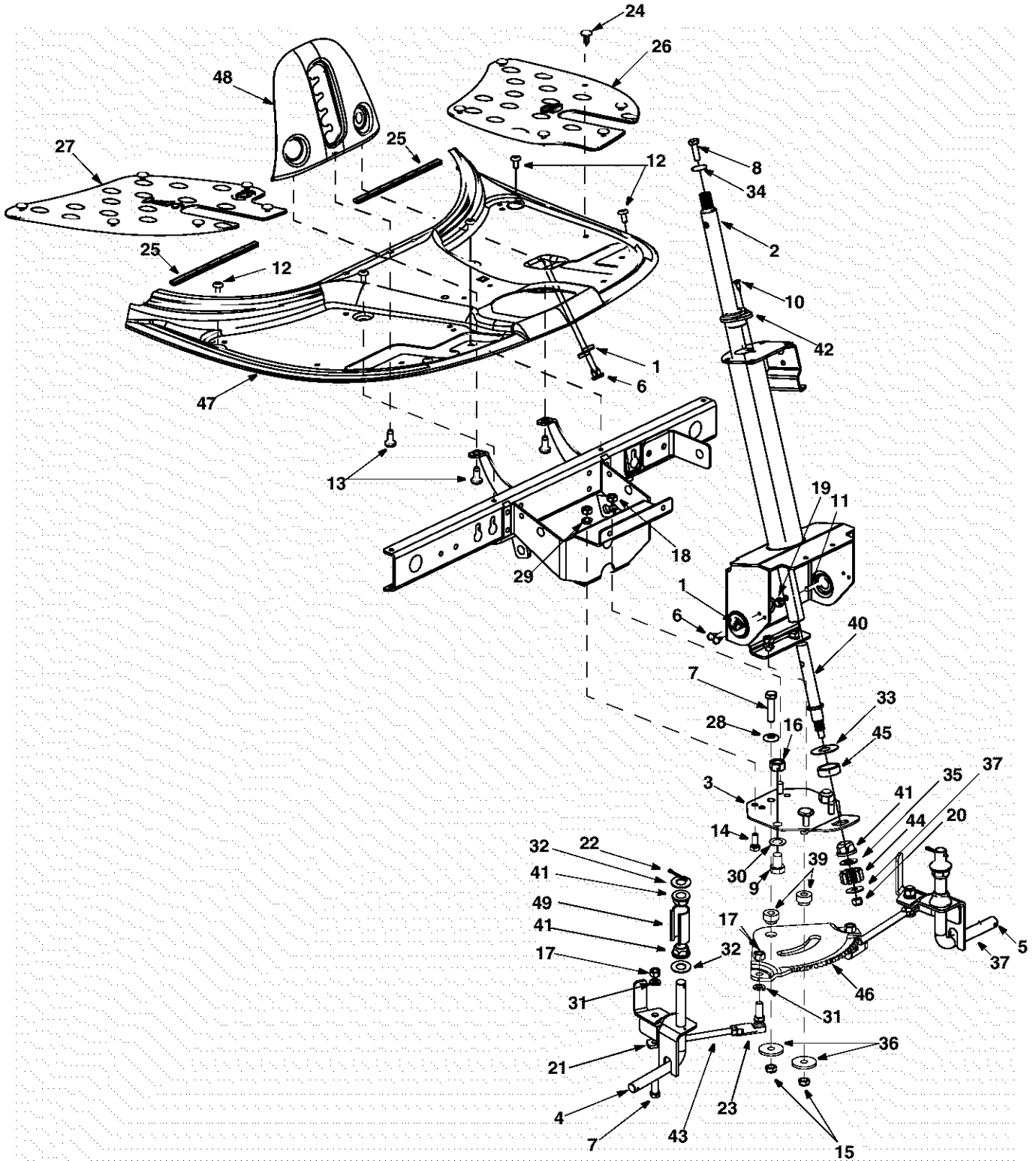
Trouble	Possible Cause	Remedy
Excessive vibration	<ol style="list-style-type: none"> 1. Bent or damaged blade 2. Bent blade. 	<ol style="list-style-type: none"> 1. Stop engine immediately. Check all pulleys, blade adapters, keys and bolts for tightness and spindle damage. Tighten or replace any damaged parts. 2. Stop engine immediately. Replace damaged blade. Only use original equipment blades.
Mower will not discharge grass or leaves uncut strips	<ol style="list-style-type: none"> 1. Engine speed low. 2. Speed selection. 3. Cutting height set too low. 4. Blades short or dull. 	<ol style="list-style-type: none"> 1. Throttle must be set at FULL. 2. Use lower ground speed. Slower the ground speed, better the quality of cut. 3. Raise the deck. 4. Sharpen or replace blades (uncut strip problem only).
Broken Belt	<ol style="list-style-type: none"> 1. Sudden stop or shock load to belt 2. Incorrect belt used 3. Belt engaged abruptly 4. Defective or damaged belt 	<ol style="list-style-type: none"> 1. Inspect rider for cause such as foreign objects stuck in between deck and frame or belt path. Remove obstruction and check for damage. Replace belt if needed. 2. Replace with proper belt. Check Parts list in this manual for correct part number. 3. Engage belt slowly by depressing the blade engagement pedal slowly. 4. Replace with proper belt.

Trouble	Possible Cause	Remedy
Belt comes off	<ol style="list-style-type: none"> 1. Belt too loose; stretched 2. Broken or weak idler spring 	<ol style="list-style-type: none"> 1. Readjust belt. Replace if needed. 2. Replace. Order with correct part number from Parts List in this manual.
Belt shreds	<ol style="list-style-type: none"> 1. Belt guides or guards incorrectly adjusted 2. Pulleys not aligned 3. Pulley rusted or in otherwise bad condition; frozen bearing 	<ol style="list-style-type: none"> 1. Adjust belt guides and guards so that these are approximately 1/16 to 1/8 inch from belt when engaged. 2. Realign pulleys to be within approximately 1/16 inch of each other. Check with straight edge. Make sure fastening hardware is tight. 3. Replace pulleys. Order with correct part number from the Parts List in this manual. Adjust new pulleys to 1/16 ".
Engine will not crank	<ol style="list-style-type: none"> 1. Blade engagement pedal engaged and/or brake pedal not engaged 2. Battery installed incorrectly 3. Battery dead or weak. 4. Blown fuse or circuit breaker 5. Engine ground wire loose. 	<ol style="list-style-type: none"> 1. Brake pedal must be depressed and blade engagement pedal disengaged. 2. Install the battery with negative terminal attached to the black ground wire. Attach the positive terminal to the red wire which goes to the solenoid. Charge the battery fully before installation. 3. Check fluid level in battery. If fluid level is low, fill to just below split rings with water. Charge with 6 Amp. charger until fully charged. If this does not work, replace battery. 4. Replace fuse following instructions on page 19. 5. Make sure the black ground wire runs from engine to frame or mounting bolt.
Engine cranks but will not start	<ol style="list-style-type: none"> 1. Throttle/choke not in starting position. 2. No fuel to the carburetor 3. Fuel line or in-line fuel filter plugged 4. No spark to spark plug 5. Faulty spark plug 6. Dirty air cleaner 	<ol style="list-style-type: none"> 1. Place throttle control/choke in correct position. 2. Gasoline tank empty. Fill with gasoline. 3. Remove and clean fuel line. Replace filter if necessary. 4. Spark plug lead disconnected. Connect lead. Hold spark plug lead away from engine block about 1/8". Crank engine. There should be a spark. If not, have engine repaired at Sears or other qualified service centers. 5. To test, remove spark plug. Attach spark plug lead to spark plug. Ground the spark plug body against the engine block. Crank the engine. The spark plug should fire at the electrode. Replace if it does not. 6. If the air cleaner is dirty, the engine may not start. Clean or replace as needed.
Engine smokes	<ol style="list-style-type: none"> 1. Engine oil has been overfilled 2. Dipstick not seated or broken 	<ol style="list-style-type: none"> 1. Check oil level. 2. Replace defective part.

NOTE: If you need further assistance, call the Craftsman Help line at **1-800-659-5917**.

PARTS LIST

Parts List for Craftsman Riding Lawn Mower Model 247.27022



Parts List for Craftsman Riding Lawn Mower Model 247.27022

Key No.	Part No.	Description	Key No.	Part No.	Description
1.	17962	Switch Plate	26.	735-0674	Floor Pad: LH
2.	650-0007	Steering Tube Assembly	27.	735-0266A	Floor Pad: RH
3.	683-0033A	Steering Support Bracket	28.	736-0105	Bell Washer
4.	683-0178A	Front Axle Assembly: RH	29.	736-0119	Lock Washer
5.	683-0179A	Front Axle Assembly: LH	30.	736-0160	Flat Washer
6.	710-0224	Hex Screw AB	31.	736-0169	Lock Washer
7.	710-0459A	Hex Screw 3/8-24 x 1.5" Gr.5 Sp.	32.	736-0187	Flat Washer
8.	710-0643	Lock Screw 5/16-18 x 1.0" Gr.5	33.	736-0196	Flat Washer
9.	710-0689	Hex Screw 1/2-13 x 0.75"	34.	736-0242	Belleville Washer
10.	710-0837	Oval C-Sunk Screw #10-16 x 0.625"	35.	736-0272	Flat Washer
11.	710-0958	Hex Screw 1/4-20 x 1.25 Gr.5 Sp.	36.	736-0320	Flat Washer
12.	710-1017	AB Screw 1/4-14 x 0.625"	37.	736-3078	Flat Washer
13.	710-1611B	Self-Tapping Screw 5/16-18 x 0.75"	38.	737-3007	Grease (not serviceable)
14.	710-3008	Hex Screw 5/16-18 x 0.75"	39.	738-0541	Spacer
15.	712-0116	Lock Nut 3/8-24	40.	738-3089A	Steering Adapter
16.	712-0206	Hex Nut 1/2-13	41.	741-0225	Hex Flange Bearing
17.	712-0241	Hex Nut	42.	741-0356	Bearing: Steering Column
18.	712-0267	Hex Nut	43.	747-0955	Tie Rod
19.	712-0324	Lock Nut 1/4-20	44.	748-0290	Pinion Gear
20.	712-0411	Lock Nut	45.	750-0532	Spacer
21.	712-0711	Jam Nut	46.	783-0411	Gear: Steering Segment
22.	714-0470	Cotter Pin	47.	783-0565C	Upper Frame Cover
23.	723-0156	Ball Joint	48.	783-04234	Lift Plate
24.	726-3046	Ratchet Clip	49.	731-1649	Axle Cap
25.	731-0511	Trim Strip			

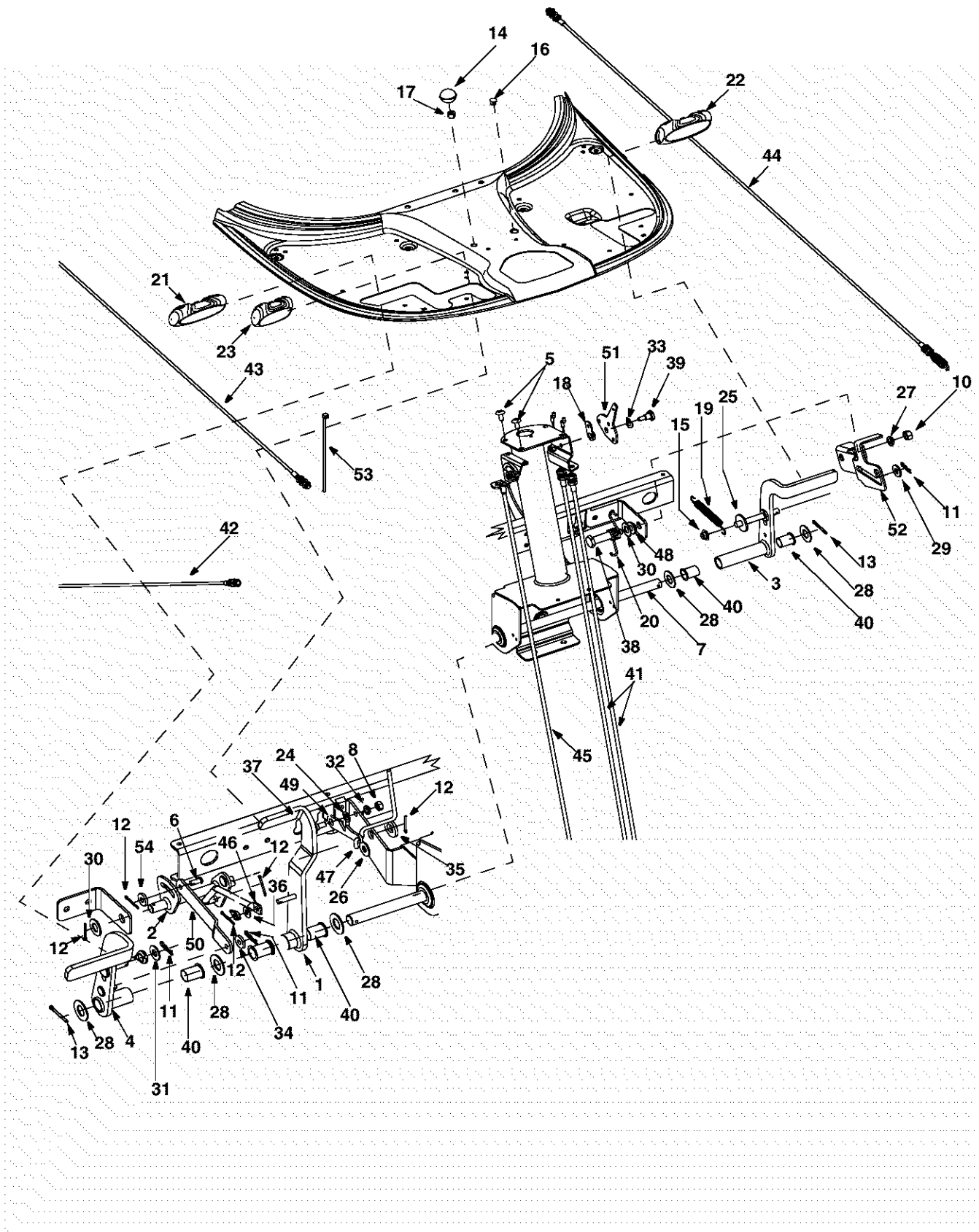
NOTE: For **painted parts**, please refer to the list of color codes below. Please add the applicable color code, wherever needed, to the part number to order a replacement part. For instance, if a part numbered 700-xxxx is painted Powder Black, the part number to order would be 700-xxxx-0637.

Powder Black: 0637

Oyster Gray: 0662

Sears Red: 0721

Parts List for Craftsman Riding Lawn Mower Model 247.27022



Parts List for Craftsman Riding Lawn Mower Model 247.27022

Key No.	Part No.	Description	Key No.	Part No.	Description
1.	683-0155A	Brake Pedal Assembly	28.	736-0187	Flat Washer
2.	683-0161	Shift Cam Assembly	29.	736-0262	Flat Washer
3.	683-0275A	Deck Pedal Assembly	30.	736-0272	Flat Washer .510 X 1.00 X .060
4.	683-0310A	Variable Pedal Assembly	31.	736-0300	Flat Washer
5.	710-1017	Ab Screw 1/4-14 X .625	32.	736-0329	Lock Washer
6.	711-0701	Clevis Pin	33.	736-0608	Spring Washer
7.	711-1156	Shaft	34.	736-3000	Flat Washer
8.	712-0287	Hex Nut 1/4-20	35.	736-3019	Flat Washer .531 X 1.062 X .134
9.	712-0324	Lock Nut 1/4-20	36.	736-3020	Flat Washer .271 X .630 X .065
10.	712-3017	Hex Nut 3/8-16	37.	738-0255	Shoulder Screw .375 Dia X .18
11.	714-0104	Internal Cotter Pin	38.	738-0373	Shoulder Screw
12.	714-0111	Hairpin Clip	39.	738-0974	Shoulder Screw .375 X .380 X 1/4-20
13.	714-0470	Hairpin Clip	40.	741-0591	Flange Bearing
14.	720-0166	Ball Knob	41.	746-0935A	Shift Cable
15.	726-0100	Push Cap	42.	746-0936	Variable Drive Cable
16.	726-0450	Plug Cap	43.	746-0937	Brake Cable
17.	731-0405	Snap-on Bushing	44.	746-0940	Deck Cable
18.	731-1913	Stop Lever	45.	746-04074	Throttle Choke Cable: 56"
19.	732-0815A	Extension Spring	46.	747-0963A	Brake Rod
20.	732-0865	Torsion Spring	47.	747-0964	Brake Lock Out Rod
21.	735-0261	Drive Pad	48.	750-0736	Shoulder Spacer
22.	735-0262	Deck Pad	49.	783-0473	Brake Lock Out Bracket
23.	735-0263	Brake Pad	50.	783-0525	Self-Propelled Pedal Link
24.	736-0117	Flat Washer 3/8 X .620 X .033	51.	783-0593A	Shift Lever
25.	736-0133	Flat Washer.411 x 1.25" x .100	52.	783-0794	Bracket: Lock-Out Pedal
26.	736-0159	5/16 Washer	53.	726-0157	Cable Tie
27.	736-0169	Lock Washer	54.	736-0270	Bell Washer

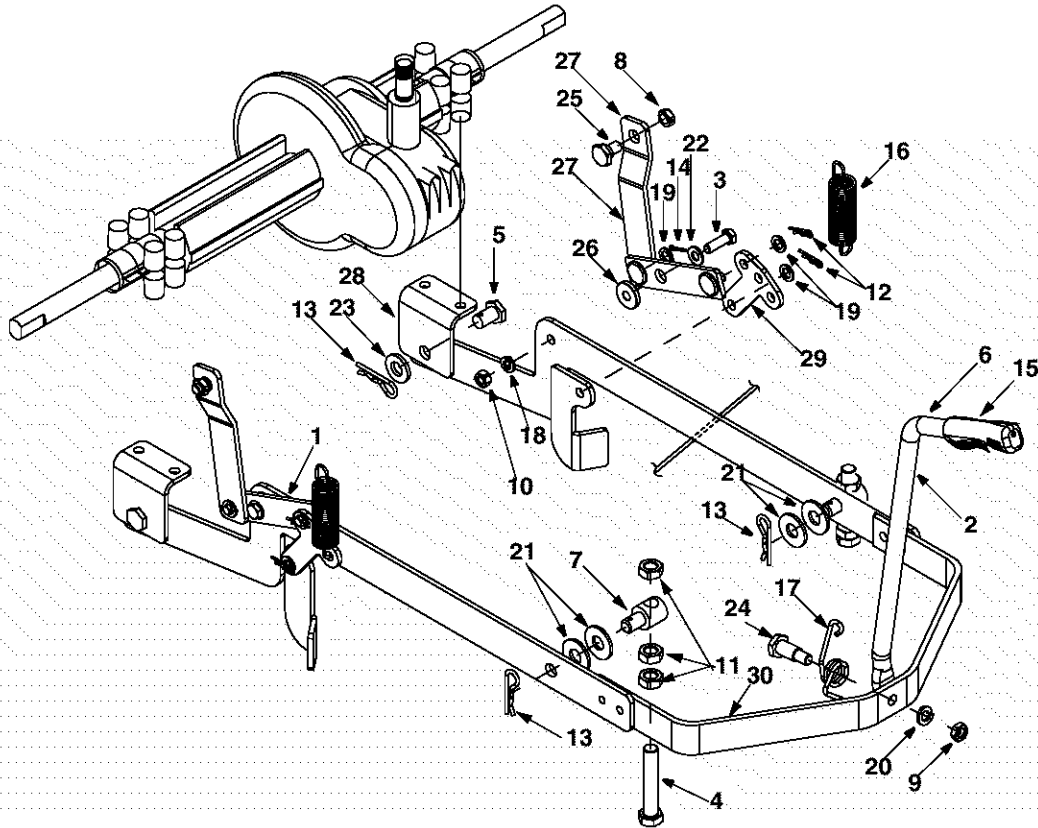
NOTE: For **Painted parts**, please refer to the list of color codes below. Please add the applicable color code, wherever needed, to the part number to order a replacement part. For instance, if a part numbered 700-xxxx is painted Powder Black, the part number to order would be 700-xxxx-0637.

Powder Black: 0637

Oyster Gray: 0662

Sears Red: 0721

Parts List for Craftsman Riding Lawn Mower Model 247.27022



Key No.	Part No.	Description	Key No.	Part No.	Description
1.	683-0152	Pivot Link Assembly	16.	732-0829	Extension Spring
2.	683-0194A	Lift Arm Assembly	17.	732-0837	Torsion Spring
3.	710-0376	Hex Screw 5/16-18 X 1.00 Gr.5	18.	736-0119	Lock Washer 5/16
4.	710-3230	Hex Bolt 1/2-13 X 2.75 Gr.5 Spec.	19.	736-0140	Flat Washer .385 I.D. x .620 O.D.
5.	711-0332	Lift Bracket Pin	20.	736-0169	Lock Washer
6.	711-04158	Lift Rod	21.	736-0257	Flat Washer
7.	711-3319	Ferrule	22.	736-0275	Flat Washer 5/16
8.	712-0266	Jam Nut	23.	736-3019	Flat Washer
9.	712-3008	Jam Nut 3/8-16 Gr. 5	24.	738-0145	Shoulder Screw
10.	712-3010	Hex Nut 5/16-18	25.	738-0183	Shoulder Screw
11.	712-3048	Jam Nut	26.	738-0958	Shoulder Spacer
12.	714-0104	Cotter Pin	27.	783-0435	Upper Deck Link
13.	714-0147	Cotter Pin	28.	783-04320	Axle Bracket: Rear
14.	714-3010	Cotter Pin	29.	783-0440	Lower Link
15.	720-0298	Handle Grip	30.	783-0442A	Crossbar Link: Lift

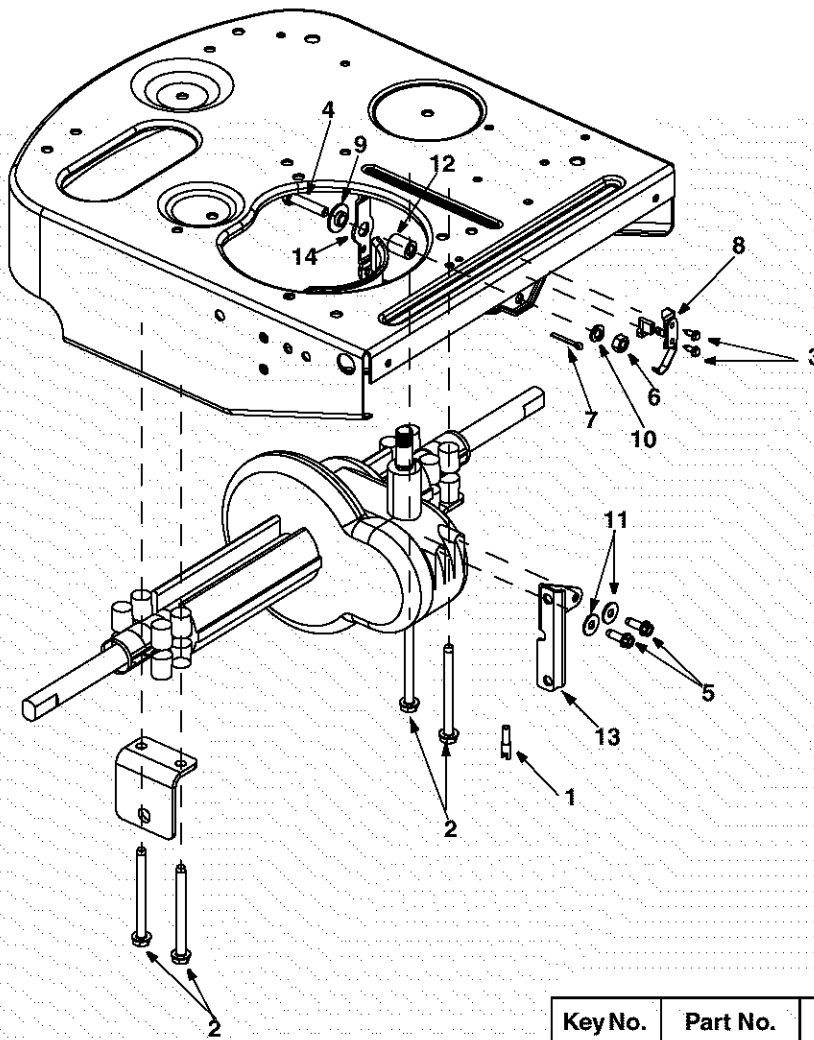
NOTE: For **painted parts**, please refer to the list of color codes below. Please add the applicable color code, wherever needed, to the part number to order a replacement part. For instance, if a part numbered 700-xxxx is painted Powder Black, the part number to order would be 700-xxxx-0637.

Powder Black: 0637

Oyster Gray: 0662

Sears Red: 0721

Parts List for Craftsman Riding Lawn Mower Model 247.27022

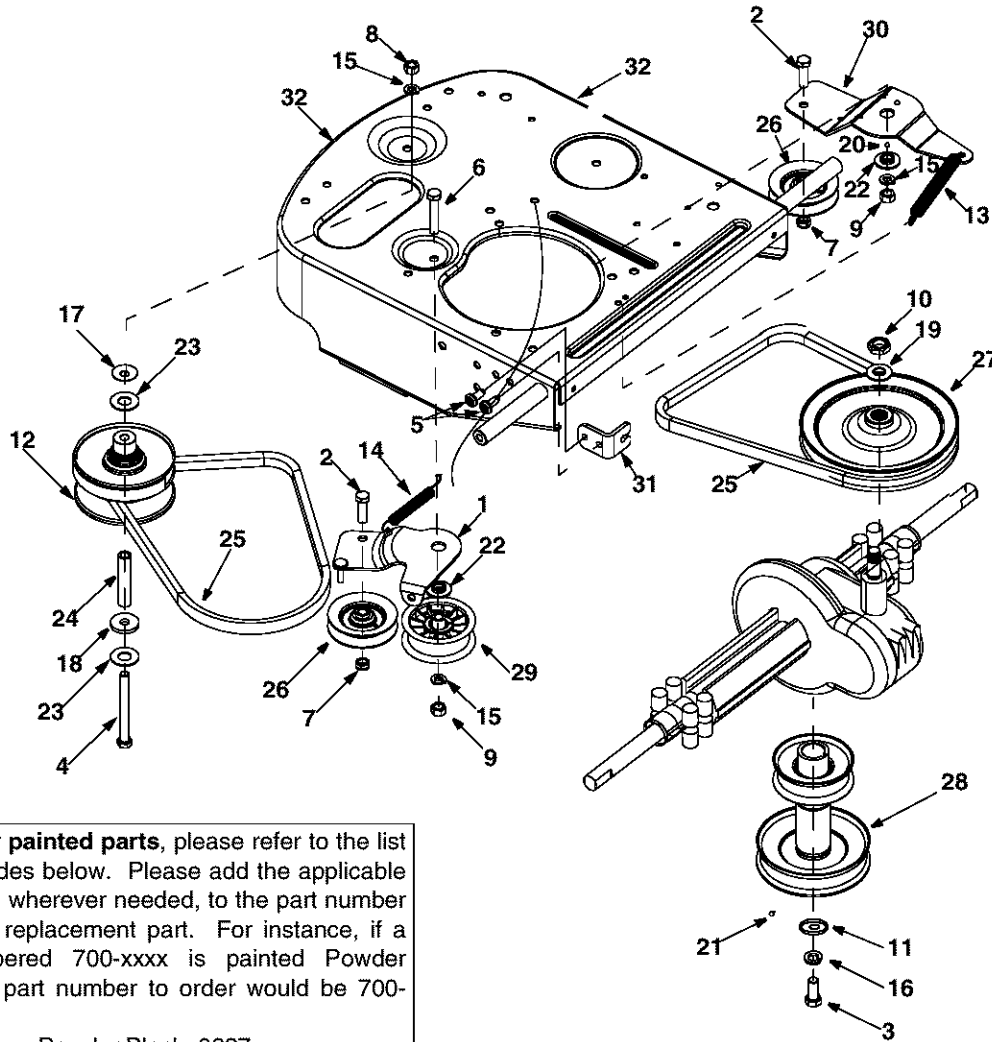


NOTE: For painted parts, please refer to the list of color codes below. Please add the applicable color code, wherever needed, to the part number to order a replacement part. For instance, if a part numbered 700-xxxx is painted Powder Black, the part number to order would be 700-xxxx-0637.

Powder Black: 0637
 Oyster Gray: 0662
 Sears Red: 0721

Key No.	Part No.	Description
1.	629-0865	Harness Assembly Adapter
2.	710-1208	Hex TT Screw 5/16-18 x 3.50
3.	710-0227	Hex Washer Head Self-Tap.Screw
4.	710-0805	Hex Screw 5/16-18 x 1.5 Gr. 5
5.	710-0642	Thd. Forming Scr. 1/4-20x .75
6.	712-3010	Hex Nut 5/16-18
7.	714-0115	Cotter Pin
8.	726-0320	Insulator Nut Plate
9.	736-0289	Shoulder Bushing
10.	736-0119	Lock Washer 5/16
11.	736-3000	Flat Washer
12.	750-1064	Spacer
13.	783-0591	Transaxle Bracket
14.	783-0433A	Shift Lever

Parts List for Craftsman Riding Lawn Mower Model 247.27022

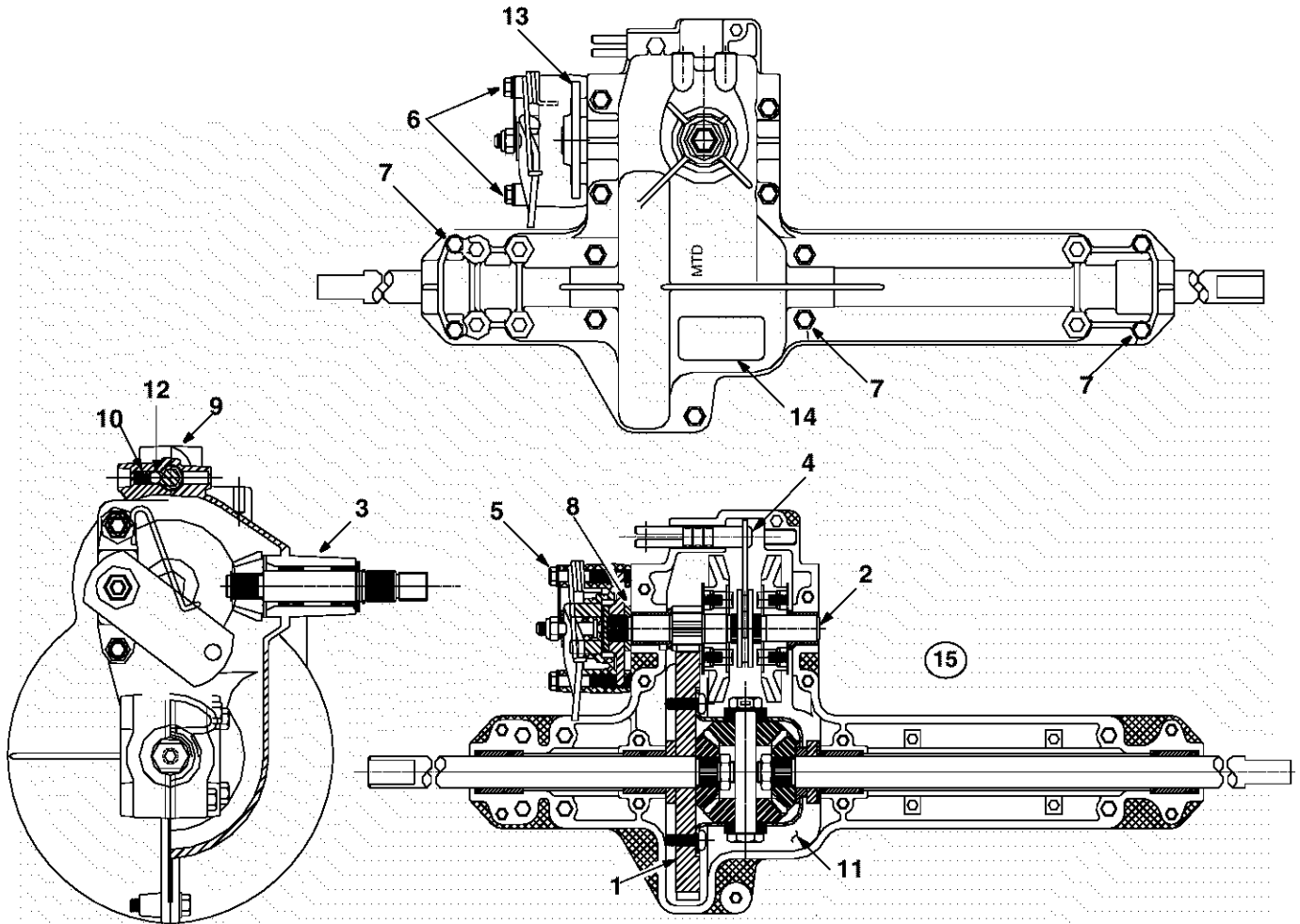


NOTE: For **painted parts**, please refer to the list of color codes below. Please add the applicable color code, wherever needed, to the part number to order a replacement part. For instance, if a part numbered 700-xxxx is painted Powder Black, the part number to order would be 700-xxxx-0637.

Powder Black: 0637
 Oyster Gray: 0662
 Sears Red: 0721

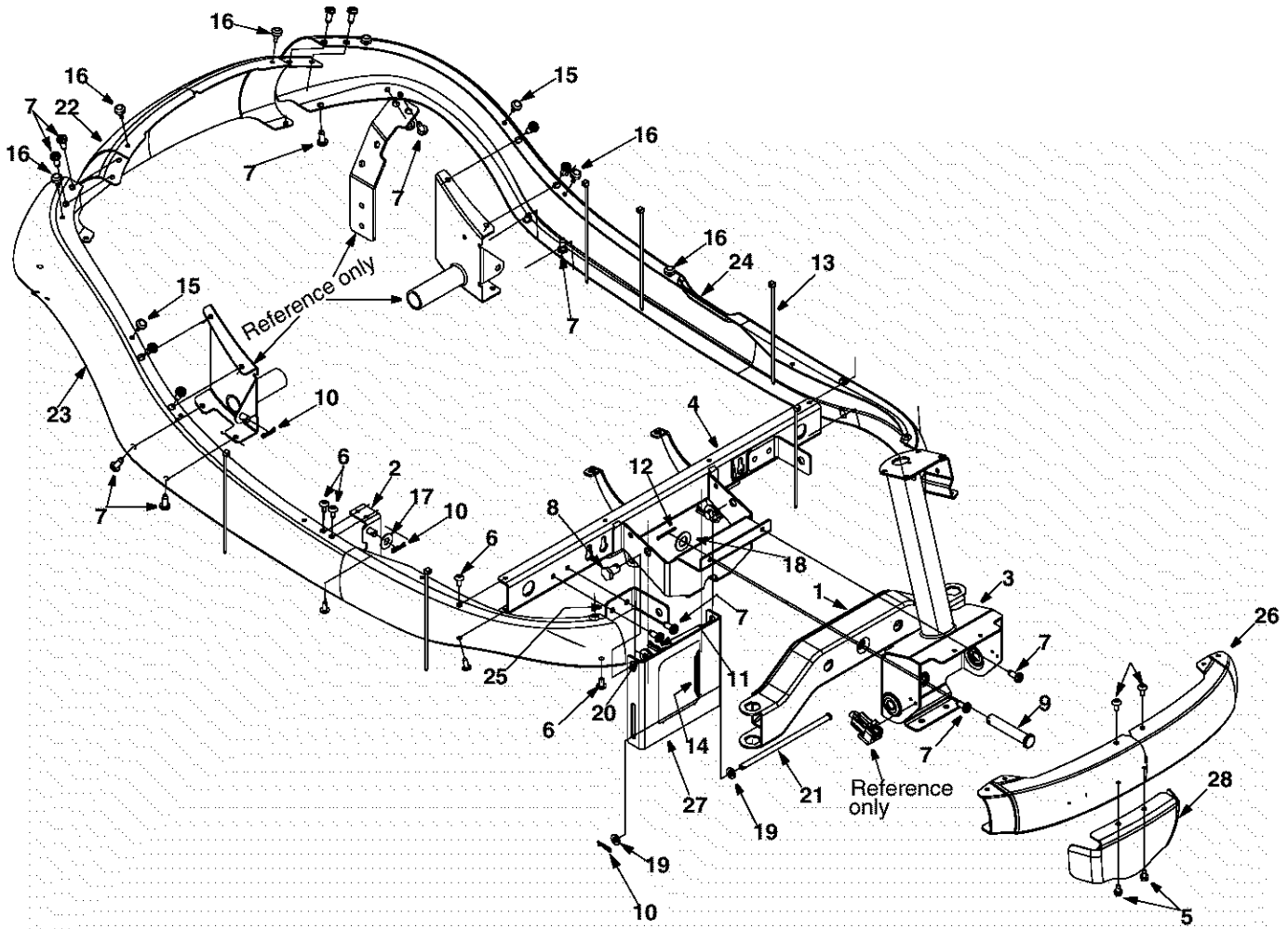
Key No.	Part No.	Description	Key No.	Part No.	Description
1.	683-0147A	Idler Bracket Assembly	17.	736-0219	Bell Washer
2.	710-0191	Hex Screw (Special)	18.	736-0247	Flat Washer
3.	710-0314	Hex Screw 7/16-20 x 1.0"	19.	736-0427	Beleville Washer
4.	710-0902	Hex Screw 3/8-24 x 3.75"	20.	737-3007	Grease
5.	710-1611B	TT Screw	21.	737-0288	Grease (not serviceable)
6.	710-3096	Hex Screw 3/8-16 x 2.0"	22.	738-0968	Shoulder Spacer
7.	712-0116	Jam Lock Nut	23.	741-0405	Thrust Bearing
8.	712-0241	Hex Nut 3/8-24	24.	750-0705	Slv. Spacer
9.	712-3017	Hex Nut 3/8-16	25.	754-0453	V-Belt
10.	712-3035	Jam Nut 9/16-18	26.	756-0116	Idler Pulley
11.	736-0322	Flat Washer	27.	756-0650	Transmission Pulley
12.	717-0884	Variable Speed Pulley Assembly	28.	756-1189	Engine Pulley
13.	732-0814	Extension Spring	29.	756-0981A	Flat Idler Pulley
14.	732-0815A	Extension Spring	30.	783-0528	Idler Bracket: Variable Speed
15.	736-0217	Lock Washer	31.	783-0529	Cable Bracket
16.	736-0171	Lock Washer	32.	683-0149B	Frame Assembly

Parts List for Craftsman Riding Lawn Mower Model 247.27022



Key No.	Part No.	Description
1.	618-0232	Differential Assembly: Single Speed
2.	618-0248	Drive Shaft assembly: LH Brake
3.	618-0072B	Upper Housing Assembly
4.	611-0114	Detent Shaft Assembly
5.	661-0006	Brake Yoke Assembly: LH
6.	710-1206	Hex Washer Hd. TT Screw 1/4-20 x 2.37 Gr.5
7.	710-1325	Hex Washer Hd. TT Screw 1/4-20 x 1.65
8.	717-0678	Brake Puck
9.	719-0313B	Lower Housing
10.	732-0863	Spring Detent
11.	737-0148	Grease
12.	741-0862	Ball Detent
13.	761-0202	Brake Disc
14.	777-6318	Label (not serviceable)
15.	618-0251C	Transmission Assembly, Complete

Parts List for Craftsman Riding Lawn Mower Model 247.27022



Key No.	Part No.	Description	Key No.	Part No.	Description
1.	683-0142	Pivot Bar Assembly	15.	735-0199A	Rubber Bumper
2.	683-0160	Bracket Assembly: Hood Pivot	16.	735-0271	Bumper
3.	683-0163A	Steering Support Bracket	17.	736-0101	Flat Washer
4.	683-0264A	Channel Assembly: Front Frame	18.	736-0187	Flat Washer
5.	710-0599	TT screw 1/4-20 x 0.5"	19.	736-0275	Flat Washer
6.	710-1017	AB Screw 1/4-14 x 0.625"	20.	736-3019	Flat Washer
7.	710-1611B	TT Screw 5/16-18 x 0.75"	21.	747-0985	Deck Rod
8.	711-0332	Clevis Pin	22.	783-04231	Rail: Rear Frame
9.	711-1165	Clevis Pin	23.	783-04248	Rail: Frame RH
10.	714-0104	Cotter Pin	24.	783-04252	Rail: Frame LH
11.	714-0147	Hairpin Clip	25.	783-0554	Cam Bracket
12.	714-0470	Cotter Pin	26.	783-0564A	Frame: Upper Front
13.	725-0157	Cable Tie	27.	783-0605	Stabilizing Bracket: Deck
14.	732-0829	Extension Spring	28.	783-0811A	Front Bumper

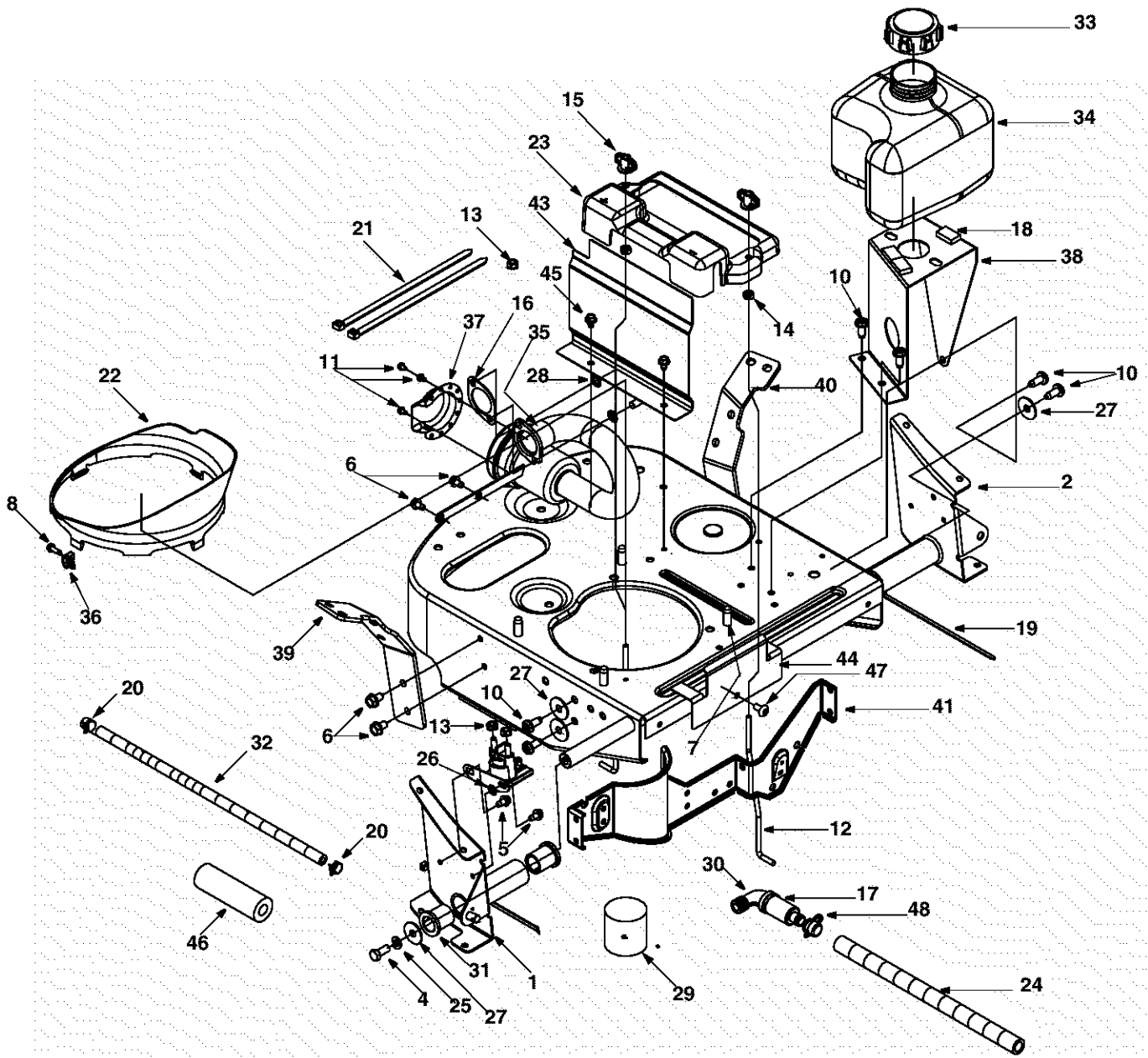
NOTE: For **painted parts**, please refer to the list of color codes below. Please add the applicable color code, wherever needed, to the part number to order a replacement part. For instance, if a part numbered 700-xxxx is painted Powder Black, the part number to order would be 700-xxxx-0637.

Powder Black: 0637

Oyster Gray: 0662

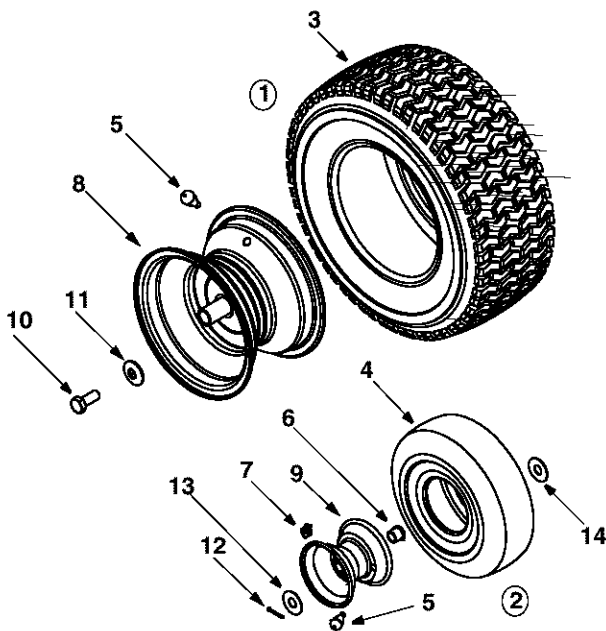
Sears Red: 0721

Parts List for Craftsman Riding Lawn Mower Model 247.27022



Parts List for Craftsman Riding Lawn Mower Model 247.27022

Key No.	Part No.	Description	Key No.	Part No.	Description
1.	683-0190B	Rail Support: Frame Assembly RH	25.	736-0119	Lock Washer 5/16
2.	683-0191B	Rail Support: Frame Assembly LH	26.	736-0222	External Lock Washer
3.	683-04018	Frame Assembly	27.	736-0123	Flat Washer
4.	710-0157	Hex Bolt 5/16-24 x 0.75"	28.	736-0607	Lock Washer 1/4
5.	710-0599	TT Screw 1/4-20 x 0.5"	29.	737-0169	SAE 30W Oil (not serviceable)
6.	710-0604A	TT Screw 5/16-18 x 0.625"	30.	737-0125	Elbow Fitting
7.	710-0654A	TT Sems Screw 3/8-16 x 1.0"	31.	741-0516	Flange Bearing
8.	710-1237	T Screw #10-32 x 0.625"	32.	751-0535	Fuel Line Hose
9.	710-1314A	Soc. Hd. Screw 5/16-18 x 0.75"	33.	751-3071	Fuel Cap
10.	710-1611B	TT Screw 5/16-18 x 0.75"	34.	751-3214	Fuel Tank
11.	710-1502	AB Screw 8-18 x 0.375"	35.	751-9986	Muffler
12.	711-04143	Battery Hold -Down Rod	36.	751B213146	Clamp Casing: Throttle
13.	712-0271	Sems Nut	37.	751B222261	Muffler Deflector
14.	712-0291	Hex Lock Nut 1/4-20	38.	783-04100	Tank Bracket
15.	712-0397	Wing Nut	39.	783-04144	Support Bracket RH
16.	721-0208	Exhaust Gasket	40.	783-04260	Support Bracket LH
17.	751-3140	Oil Drain	41.	783-0809B	Support Bracket: Transaxle
18.	722-3022	Foam Tape: 0.625 x 0.25 thk.	42.	725-1704	Battery (not shown)
19.	725-0157	Cable Tie	43.	783-04358	Heat Shield
20.	726-0205	Hose Clamp	44.	783-04347	Bracket
21.	726-0209	Cable Tie	45.	710-0653	Bolt
22.	731-04282	Plen	46.	723-3066	Fuel Hose Insulation
23.	731-0707A	Battery Cover	47.	710-1017	Trus. Screw 1/4-14 x 0.625"
24.	751-3141	Oil Drain Hose	48.	751-3142	Oil Drain Cap

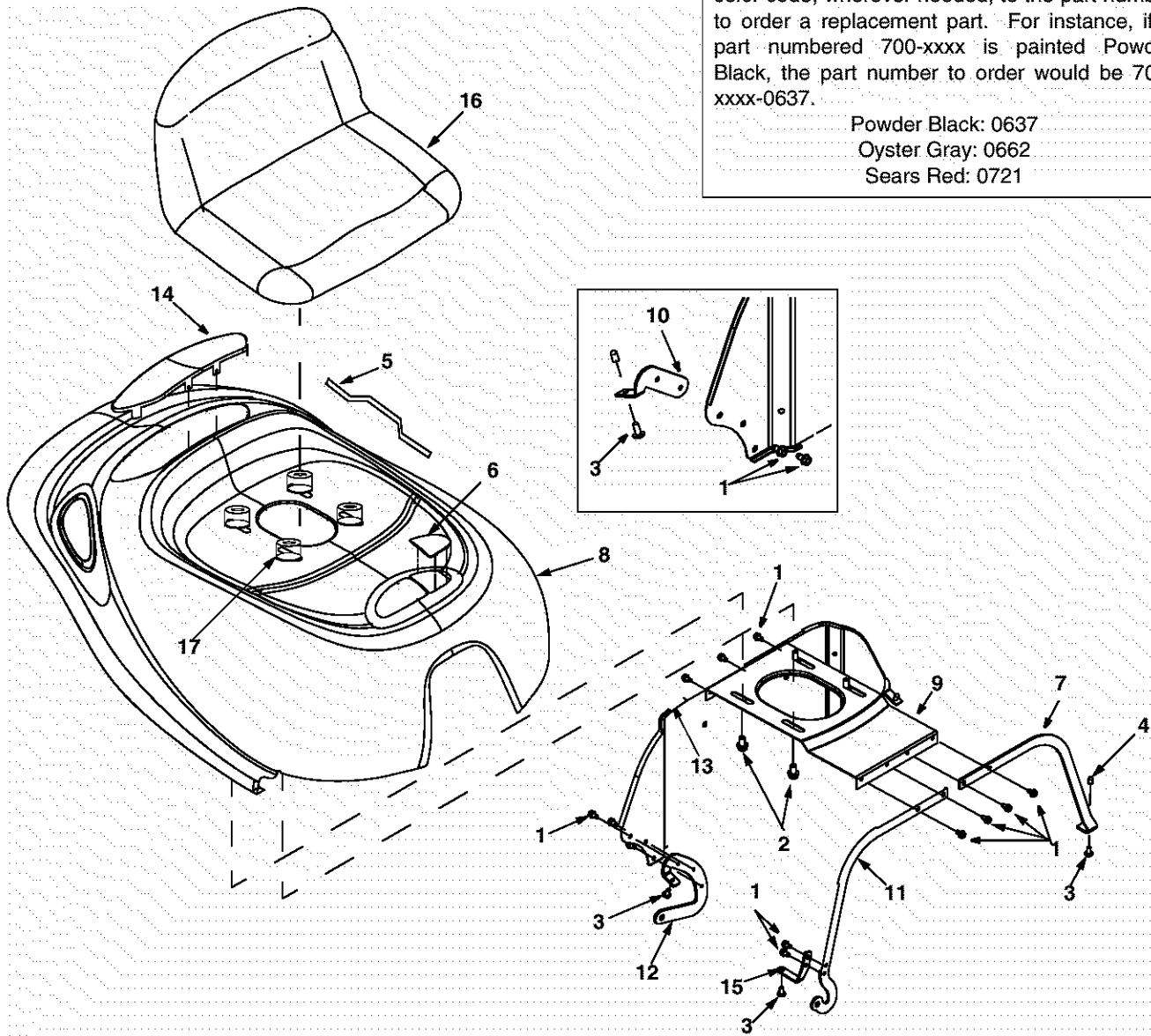


Key No.	Part No.	Description
1.	634-0139	Rear Wheel Compl.
2.	634-0169A	Front Wheel Compl.
3.	734-1727	Rear Tire
4.	734-1382	Front Tire
5.	734-0255	Valve: Tubeless Air
6.	737-0211A	Grease Fitting
7.	741-0353	Flange Bearing
8.	634-0138	Rim Assembly
9.	734-1455A	Rim Assembly
10.	710-0627	Hex Bolt 5/16-24 x .75"
11.	736-0242	Beleville Washer
12.	714-0115	Cotter Pin
13.	736-0285	Flat Washer
14.	736-0156	Flat Washer
15.	731-0484A	Hub Cap (not shown)

Parts List for Craftsman Riding Lawn Mower Model 247.27022

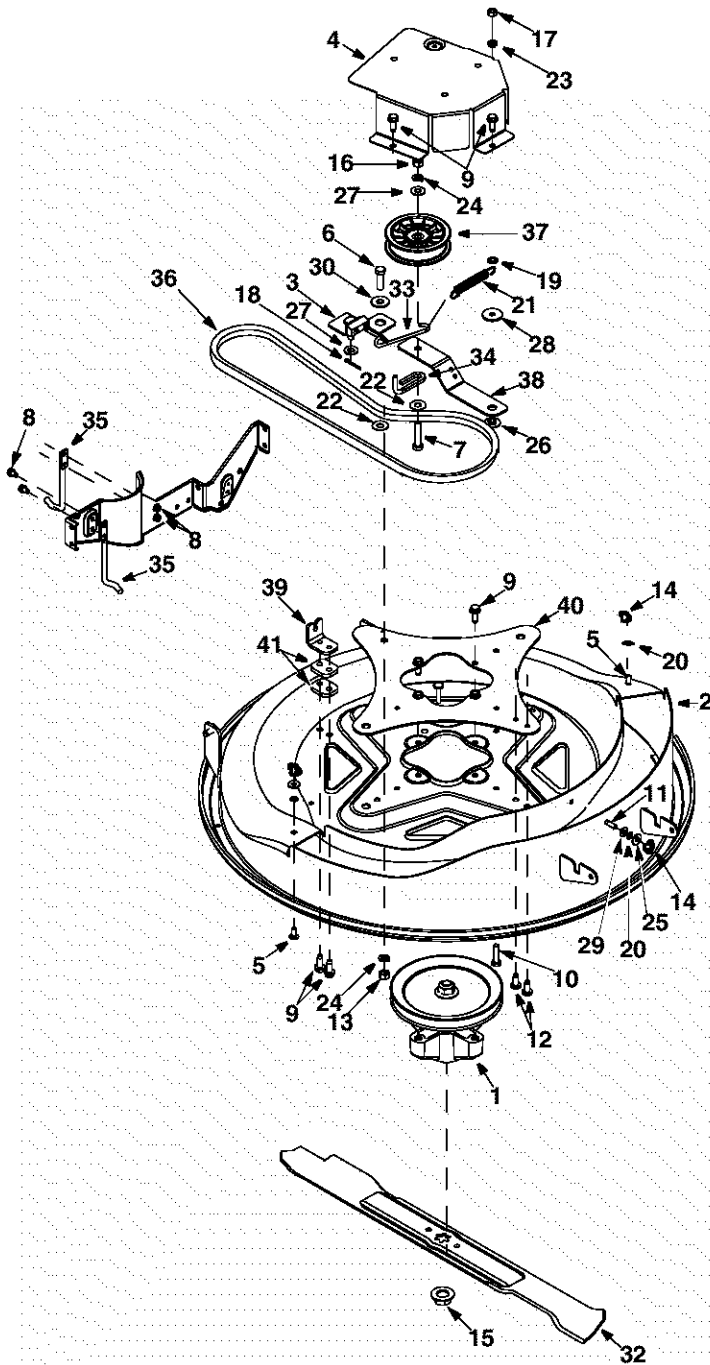
NOTE: For painted parts, please refer to the list of color codes below. Please add the applicable color code, wherever needed, to the part number to order a replacement part. For instance, if a part numbered 700-xxxx is painted Powder Black, the part number to order would be 700-xxxx-0637.

Powder Black: 0637
 Oyster Gray: 0662
 Sears Red: 0721



Key No.	Part No.	Description	Key No.	Part No.	Description
1.	710-0599	TT Screw 1/4-20 x 0.5	10.	783-0447	Hood Bracket
2.	710-1315	TT Screw 3/8-16 x 1.25	11.	783-0448	Hood Bracket: Reinforcement
3.	710-1017	Torx AB Screw 1/4-14 x 0.625	12.	783-0449A	Hinge Bracket: Rear
4.	720-0238	Rod End Grip	13.	783-0451A	Pivot Plate: Rear Hood
5.	731-0511	Trim Strip	14.	783-0545	Hood Screen
6.	731-1691A	Grass Bag Lens	15.	783-0562	Hinge Bracket: Front
7.	783-0410	Bracket Reinforcement: Hood	16.	757-04016	Seat: Low Back
8.	783-0445	Hood	17.	738-04008	Spacer
9.	783-0446	Plate: Hood			

Parts List for Craftsman Riding Lawn Mower Model 247.27022

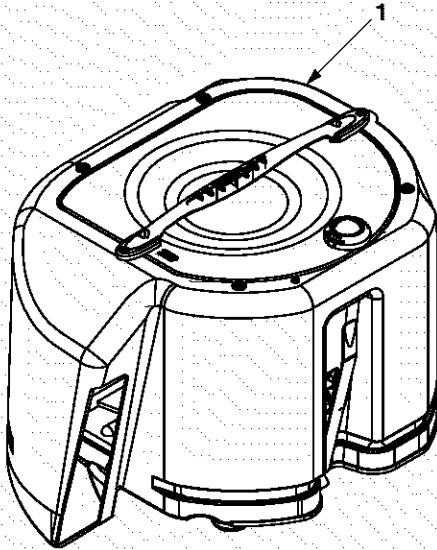


Key No.	Part No.	Description
1.	618-0250	Spindle Assembly
2.	683-0150E	Deck Assembly
3.	683-0159	Brake Bracket Assembly
4.	683-0173	Deck Belt Cover
5.	710-0134	Carriage Screw 1/4-20 x .62"
6.	710-0191	Hex Bolt 3/8-24 x 1.25"
7.	710-0347	Hex Screw 3/8-16 x 1.75 "
8.	710-0599	Self-Tapp. Screw 1/4-20 x .5"
9.	710-0650	Self-Tapp. Screw 5/16-18 x .75"
10.	710-0672	Hex Cap Scr. 5/16-24 x 1.25"
11.	710-0932	Carriage Screw
12.	710-1611B	Torx Screw 5/16-18 x .75"
13.	712-0241	Hex Nut 3/8-24
14.	712-0397	Wing Nut
15.	712-0417A	Flange Nut 5/8-18
16.	712-3017	Hex Nut 3/8-16
17.	712-3057	Hex Nut 5/16-24
18.	714-0115	Cotter Pin
19.	726-0201	Speed Nut
20.	726-0233	Push Nut
21.	732-0429A	Extension Spring
22.	736-0101	Flat Washer 3/8 x 1.00 x .030"
23.	736-0119	Lock Washer 5/16
24.	736-0169	Lock Washer 3/8
25.	736-0173	Flat Washer
26.	736-0289	Bushing
27.	736-0300	Flat Washer .406 x .875 x .059"
28.	736-0343	Flat Washer .330 x 1.25 x .120"
29.	736-3020	Flat Washer
30.	738-0968	Spacer
32.	742-0651	Three-in-one Blade
33.	747-0957	Link Rod
34.	747-0972	Belt Keeper
35.	747-1172	Belt Keeper
36.	754-0754	V Belt
37.	756-0627	Flat Idler Pulley
38.	783-0463A	Idler Bracket
39.	783-0529	Cable Bracket
40.	783-0569B	Deck Plate
41.	783-0594	Deck Cable Plate

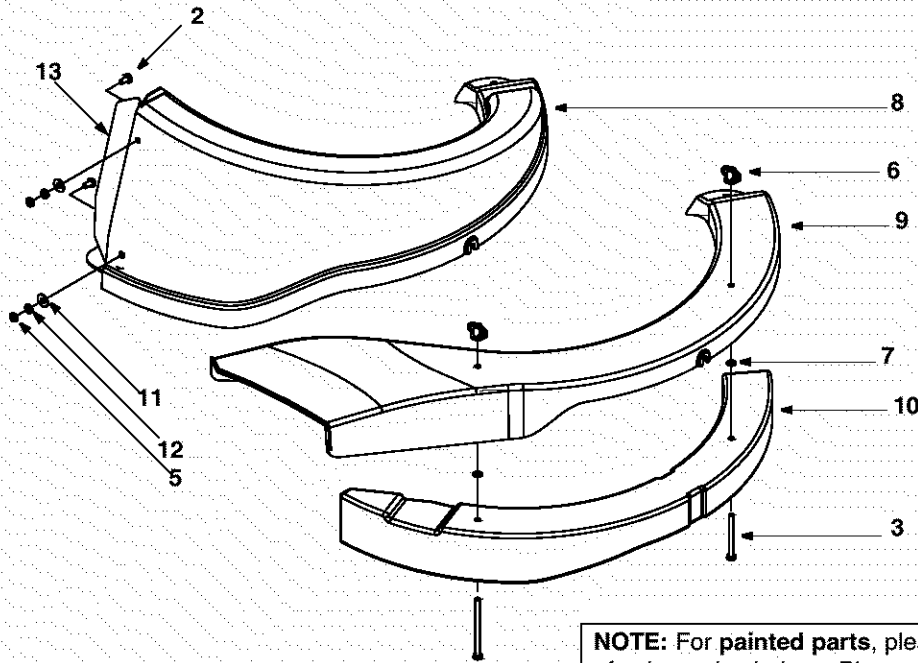
NOTE: For painted parts, please refer to the list of color codes below. Please add the applicable color code, wherever needed, to the part number to order a replacement part. For instance, if a part numbered 700-xxxx is painted Powder Black, the part number to order would be 700-xxxx-0637.

Powder Black: 0637
 Oyster Gray: 0662
 Sears Red: 0721

Parts List for Craftsman Riding Lawn Mower Model 247.27022



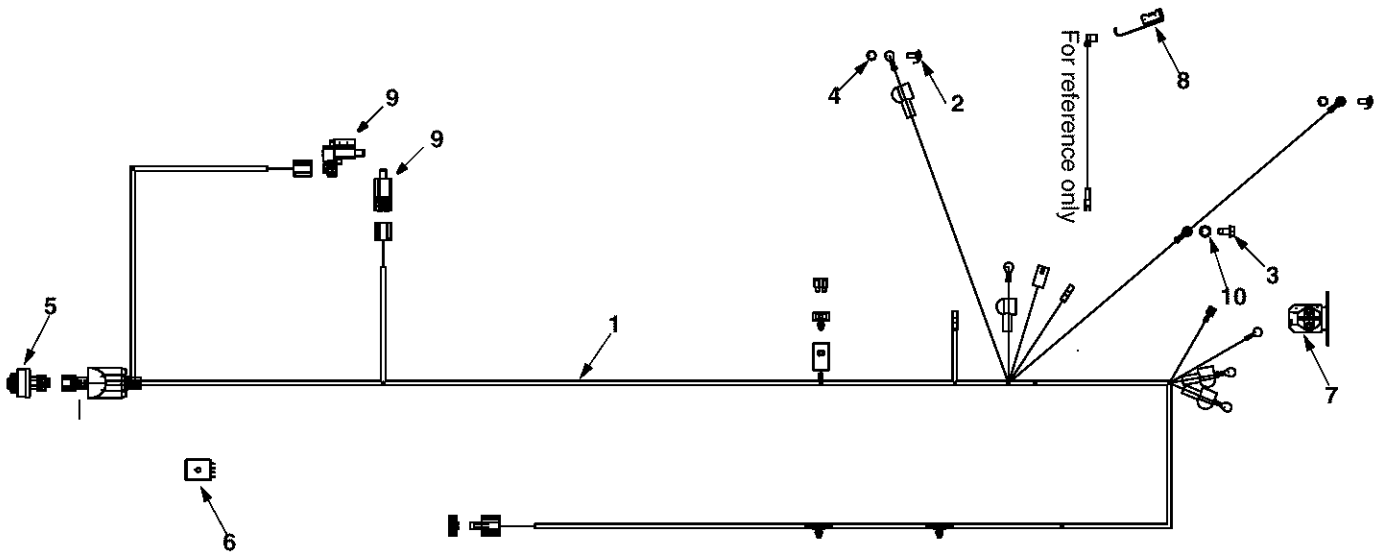
Key No.	Part No.	Description
1.	631-0084	Grass Bag Assembly
2.	710-0286	Pan Hd. Machine Screw 1/4-20 x 0.5
3.	710-0564	Hex Screw 1/4-20 x 2.75
4.	710-0825	Hex Screw 1/4-20 x 3.75
5.	712-0298	Jam Nut
6.	712-0397	Wing Nut
7.	726-0271	Push Nut
8.	731-1743A	Chute: Bagger
9.	731-1744	Discharge Chute: Side-Discharge
10.	731-1745A	Mulching Plug
11.	736-0173	Flat Washer
12.	736-0329	Lock Washer
13.	783-0645A	Deflector Plate: Bagger Chute



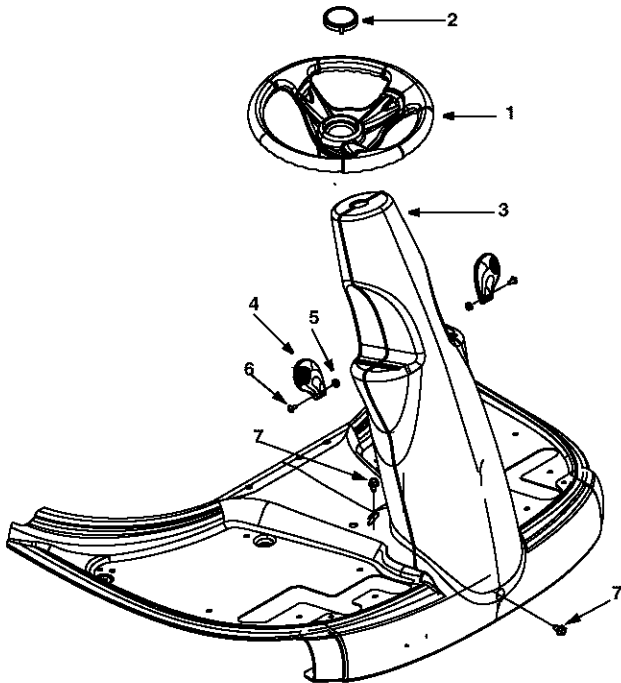
NOTE: For painted parts, please refer to the list of color codes below. Please add the applicable color code, wherever needed, to the part number to order a replacement part. For instance, if a part numbered 700-xxxx is painted Powder Black, the part number to order would be 700-xxxx-0637.

Powder Black: 0637
 Oyster Gray: 0662
 Sears Red: 0721

Parts List for Craftsman Riding Lawn Mower Model 247.27022



Key No.	Part No.	Description	Key No.	Part No.	Description
1.	629-04055	Harness Assembly w/o relays	7.	725-1426	Solenoid 12 volt, 100 amp.
2.	710-0134	Carriage Screw 1/4-20 x 0.62"	8.	725-1643	Spring Switch
3.	710-3021	D Screw 5/16-18 x 0.625"	9.	725-1657A	Switch: Interlock
4.	712-0271	Sems Nut 1/4-20	10.	736-0607	Lock Washer 5/16
5.	725-0267	Ignition Switch: 5 Pin	11.	725-1704	Battery (not shown)
6.	725-04040	Seat Switch			

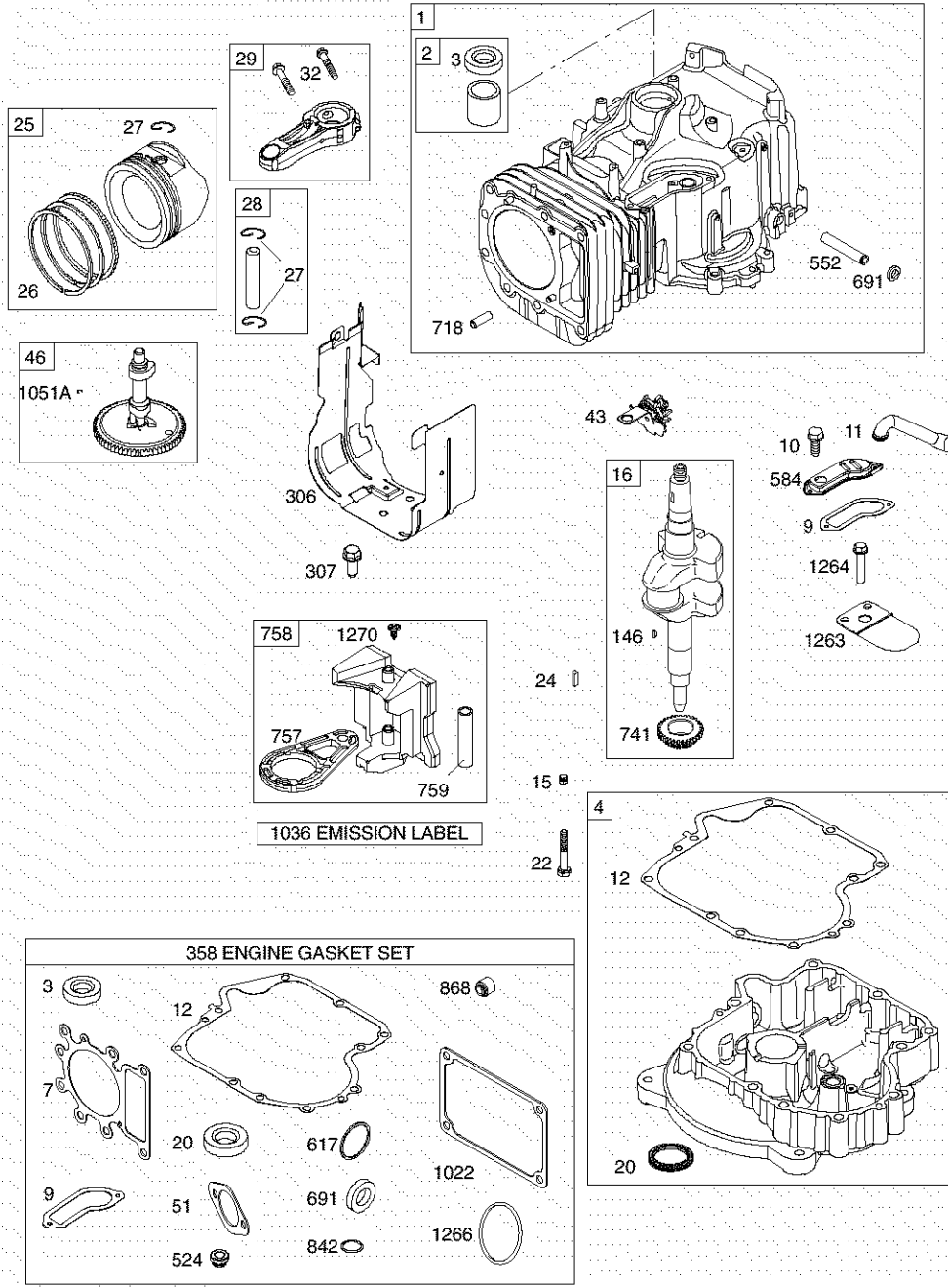


Key No.	Part No.	Description
1.	631-04028	Steering Wheel: 3Spoke
2.	731-04039	Steering Wheel Cap
3.	731-1919	Steering Column: Black
4.	731-1857	Control Knob
5.	712-0142	Hex Nut 8-32
6.	710-3217	Pan Head Machine Screw #8-32
7.	710-0599	Hex Screw TT 1/4-20 x .50"

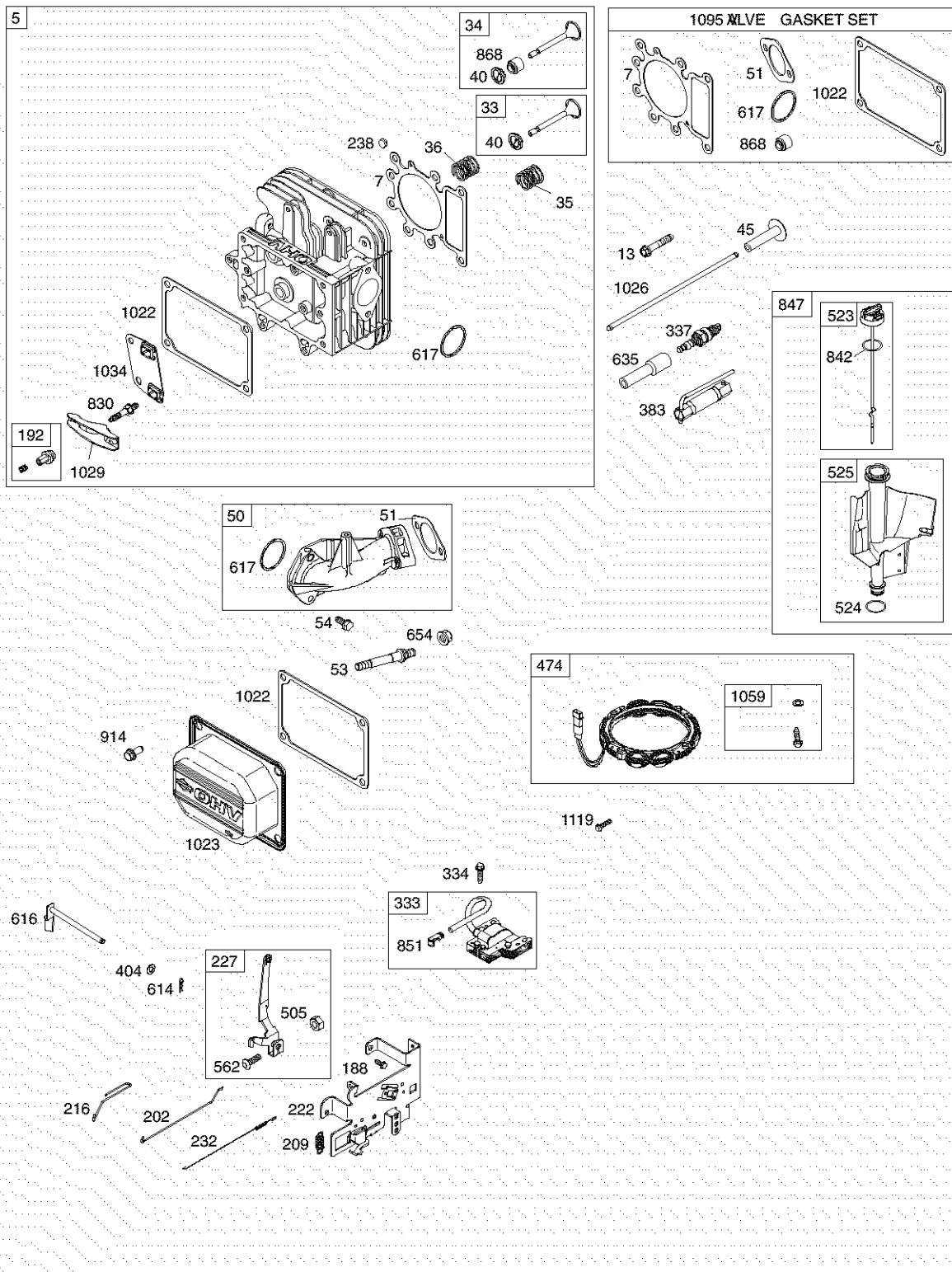
NOTE: For **painted parts**, please refer to the list of color codes below. Please add the applicable color code, wherever needed, to the part number to order a replacement part. For instance, if a part numbered 700-xxxx is painted Powder Black, the part number to order would be 700-xxxx-0637.

Powder Black: 0637
 Oyster Gray: 0662
 Sears Red: 0721

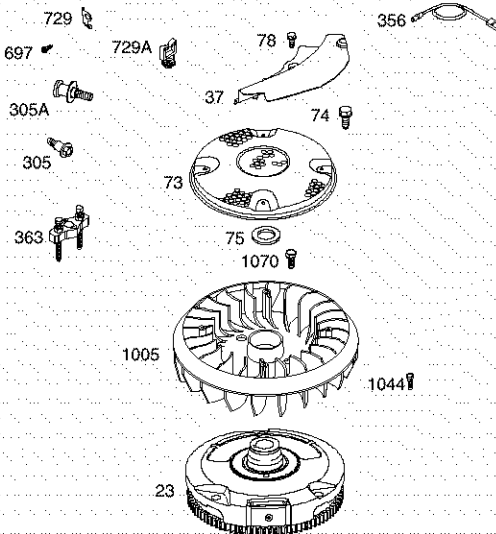
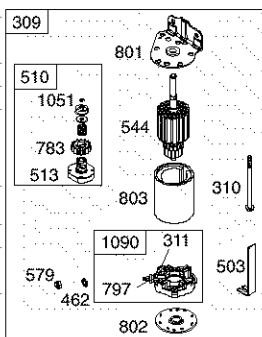
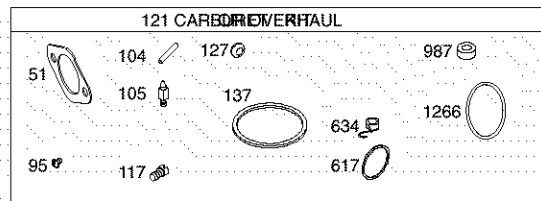
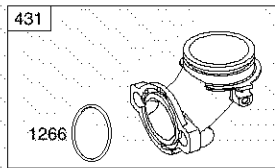
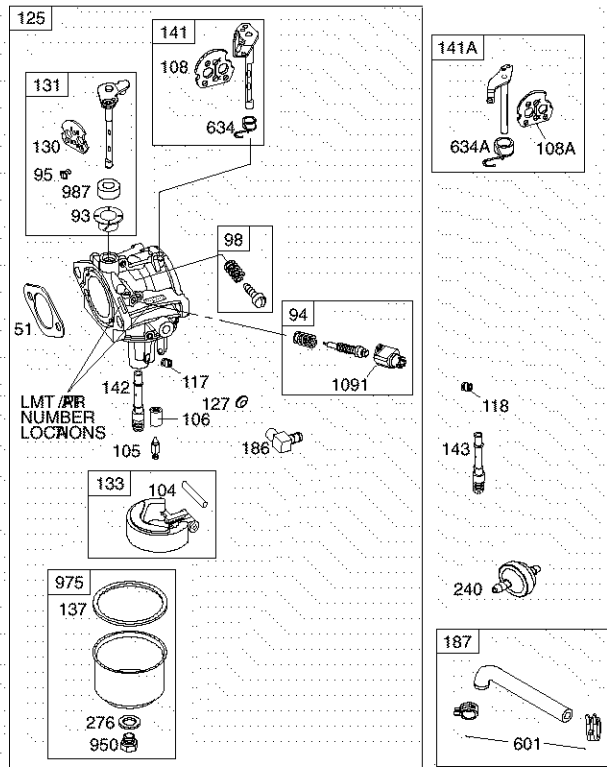
Briggs & Stratton Engine 212907-0272 for Craftsman Riding Mower Model 247.27022



Briggs & Stratton Engine 212907-0272 for Craftsman Riding Mower Model 247.27022



Briggs & Stratton Engine 212907-0272 for Craftsman Riding Mower Model 247.27022



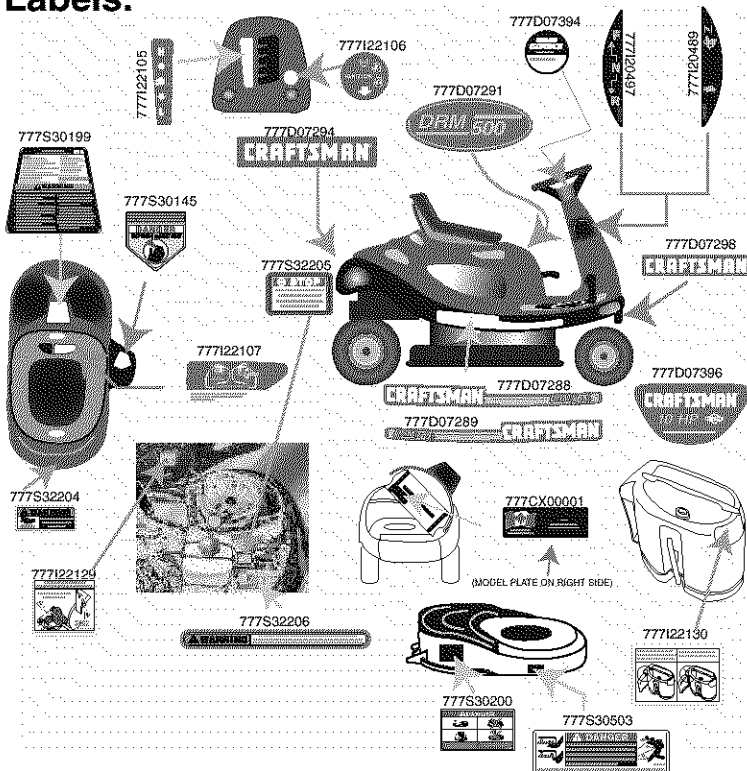
Briggs & Stratton Engine 212907-0272 for Craftsman Riding Mower Model 247.27022

Key No.	Part No.	Description	Key No.	Part No.	Description
1	697377	Cylinder Assembly	108	690464	Choke Valve
2	399265	Kit: Bushing/ Seal (Magneto side)	108A	691227	Choke Valve
3	391086	Oil Seal (Magneto side)	117	697490	Jet: Main (Standard)
4	697106	Sump: Engine	118	697492	Jet: Main (High Altitude)
5	697396	Head: Cylinder	121	697535	Kit: Carburetor Overhaul
7	273280	Gasket: Cylinder Head	125	697432	Carburetor
9	697109	Gasket: Breather	127	694524	Plug: Welch
10	697157	Screw (Breather Assembly)	130	690468	Throttle Valve
11	697113	Tube: Breather	131	697452	Kit: Throttle Shaft
12	697110	Crankcase Gasket (.015" Thick)	133	494381	Float: Carburetor
13	690360	Screw (Cylinder Head): 2-5/8" Lg.	137	281165	Gasket: Float Bowl
15	690946	Plug: Oil Drain	141	495097	Choke Shaft Kit
16	697390	Crankshaft	141A	699027	Kit: Choke Shaft (Choke-a-matic)
20	690947	Oil Seal (PTO Side)	142	697491	Carburetor Nozzle (Standard)
22	692125	Screw (Crankcase Cover/Sump)	143	697492	Nozzle: carburetor (High Altitude)
23	698281	Flywheel	146	691639	Key: Timing
24	222698	Key: Flywheel	186	698174	Hose Connector
25	698371	Piston Assembly (Standard)	187	697098	Fuel Line
	698376	Piston Assembly (.010" Oversize)	188	691693	Screw (Control Bracket)
	698377	Piston Assembly (.020" Oversize)	192	691986	Adjuster: Rocker Arm
	698378	Piston Assembly (.030" Oversize)	202	691841	Link: Mechanical Governor
26	698375	Ring Set (Standard)	209	692208	Spring: Governor
	698376	Ring Set (.010" Oversize)	216	691840	Link: Choke
	698377	Ring Set (.020" Oversize)	222	694042	Bracket: Control
	698378	Ring Set (.030" Oversize)	227	691374	Lever: Governor Control
27	698469	Lock: Piston Pin	232	691842	Spring: Governor Link
28	697099	Pin: Piston (Standard)	238	691843	Valve Cap
29	697364	Connecting Rod (Standard)	240	298090	Fuel Filter
32	692852	Screw (Connecting Rod)	276	692255	Washer: Sealing
33	495856	Exhaust Valve	304	496832	Blower Housing
34	495857	Intake Valve	305	697102	Screw (Blower Housing)
35	691279	Valve Spring: Intake	305A	697103	Screw (Blower Housing)
36	691279	Valve Spring: Exhaust	306	697359	Cylinder Shield
37	697352	Flywheel Guard	307	691003	Screw: Cylinder Shield
40	691752	Valve Retainer	309	693551	Starter Motor
43	691968	Governor/Oil Slinger	310	690323	Bolt: Starter Motor
45	690564	Tappet: Valve	311	497608	Brush Set
46	699016	Camshaft	333	492341	Magneto Armature
50	697361	Intake Manifold	334	691061	Screw: Magneto Armature
51	692137	Intake Gasket	337	491055	Spark Plug
53	690227	Stud (Carburetor)	356	697397	Wire: Stop
54	691148	Screw (Intake Manifold)	358	697151	Gasket Set: Engine
73	697384	Screen: Rotating	363	19203	Flywheel Puller
74	697897	Screw: Rotating Screen	383	89838	Wrench: Spark Plug
75	690582	Washer (Flywheel)	404	691691	Washer: Governor Crank
78	691003	Screw (Flywheel Guard)	431	698937	Elbow: Intake
93	690602	Bushing: Throttle Shaft	462	691261	Washer (Starter Cable)
94	498030	Kit: Idle Mixture	474	696578	Alternator
95	691636	Screw: Throttle Valve	503	691532	Strap: Starter
98	495800	Kit: Idle Speed	505	691251	Nut (Governor Control Lever)
104	690525	Pin: Float Hinge	510	693699	Drive: Starter
105	231855	Valve: Float Needle	513	692024	Drive Clutch
106	690577	Seat: Inlet	523	697086	Dipstick

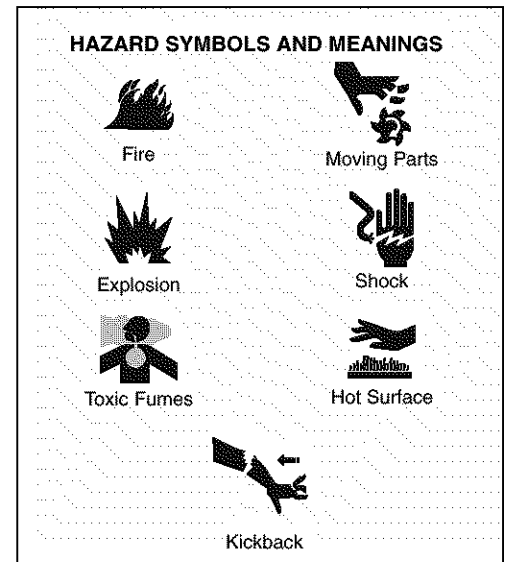
Briggs & Stratton Engine 212907-0272 for Craftsman Riding Mower Model 247.27022

Key No.	Part No.	Description	Key No.	Part No.	Description
524	691032	Seal: Dipstick Tube	830	691095	Stud: Rocker Arm
525	697184	Dipstick Tube	842	691031	Seal: O Ring (Dipstick Tube)
536	698973	Air Cleaner	847	697611	Dipstick
544	692034	Armature: Starter	851	692424	Spark Plug Terminal
552	697144	Bushing: Governor Crank	868	690968	Seal: Valve
562	691119	Bolt: Governor Control Lever	914	690960	Screw (Rocker Cover)
579	691029	Nut: Starter Cable	950	691657	Screw: Float Bowl
584	697112	Cover: Breather Passage	975	495933	Float Bowl
601	95162	Hose Clamp	987	691326	Throttle Shaft Seal
614	691620	Cotter Pin	1005	697360	Fan: Flywheel
616	692012	Crank: Governor	1022	272475	Gasket: Rocker Cover
617	692138	Seal: O Ring (Intake Manifold)	1023	692492	Cover: Rocker Arm
634	690802	Spring/Seal Assy. (Choke A Matic)	1026	697394	Push Rod (Intake)
634A	690802	Spring/Seat Assembly		697395	Push Rod (Exhaust)
635	66538	Spark Plug Boot	1029	691751	Rocker Arm
654	690958	Nut (Carburetor)	1034	690822	Push Rod Guide
691	692407	Seal: Governor Shaft	1036	697221	Label: Emission
697	690372	Screw: Drive Cap	1044	691658	Screw (Flywheel)
718	690959	Pin: Locating	1051	691265	Retaining Ring
729	691224	Wire Clip	1051A	698802	Retaining Ring
729A	691335	Wire Clip	1059	698516	Kit-Screw/Washer
741	697128	Timing Gear	1070	690372	Screw (Flywheel Fan)
757	697607	Link: Counterweight	1090	691293	Retainer
758	697391	Counterweight	1091	691333	Limiter Cap
759	697392	Pin: Counterweight	1095	691581	Gasket Set: Valve
783	693713	Pinion Gear	1119	691183	Screw (Alternator)
797	693167	Nut (Brush Retainer)	1263	697124	Reed: Breather
801	691283	Cap: Drive	1264	697104	Screw (Breather Reed)
802	691286	End Cap	1266	691917	Seal: O Ring (Intake Elbow)
803	693757	Starter Housing	1270	697156	Plug: AVS Counterweight

Labels:



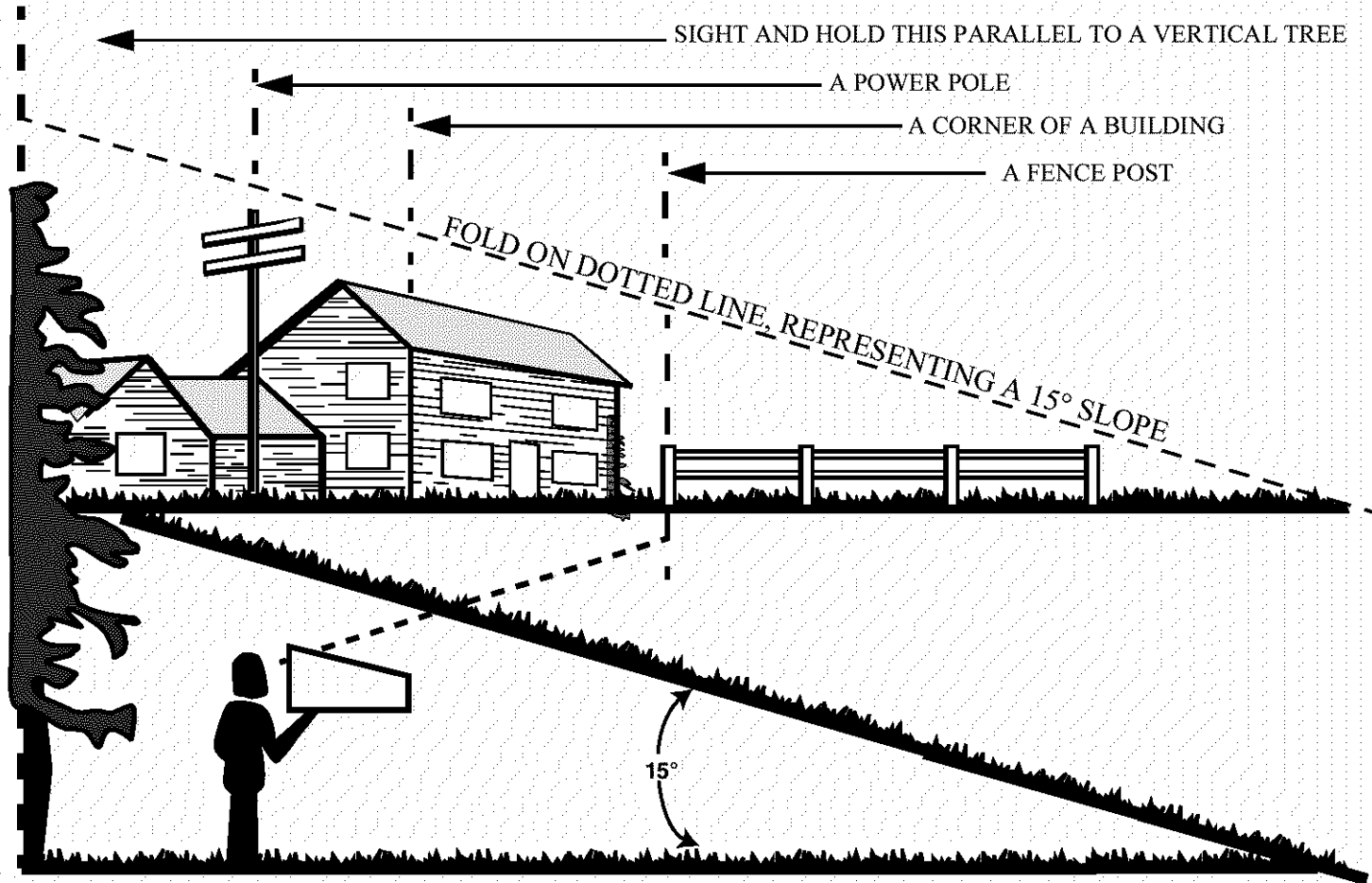
Labels On Engine:



SLOPE GUIDE

Use this page as a guide to determine slopes where you may operate riding mower safely.

1. Fold this page on 15 degrees slope dotted line below.
2. Hold page at arm's length in front of you.
3. Align one of the vertical dotted lines on page with a vertical object in your field of vision.
4. If slope of hill falls below slope of line on page, slope of hill is greater than 15 degrees.



WARNING

Do not mow on inclines with a slope in excess of 15 degrees (a rise of approximately 2-1/2 feet every 10 feet). A riding mower could overturn and cause serious injury. If operating a walk-behind mower on such a slope, it is extremely difficult to maintain your footing and you could slip, resulting in serious injury.

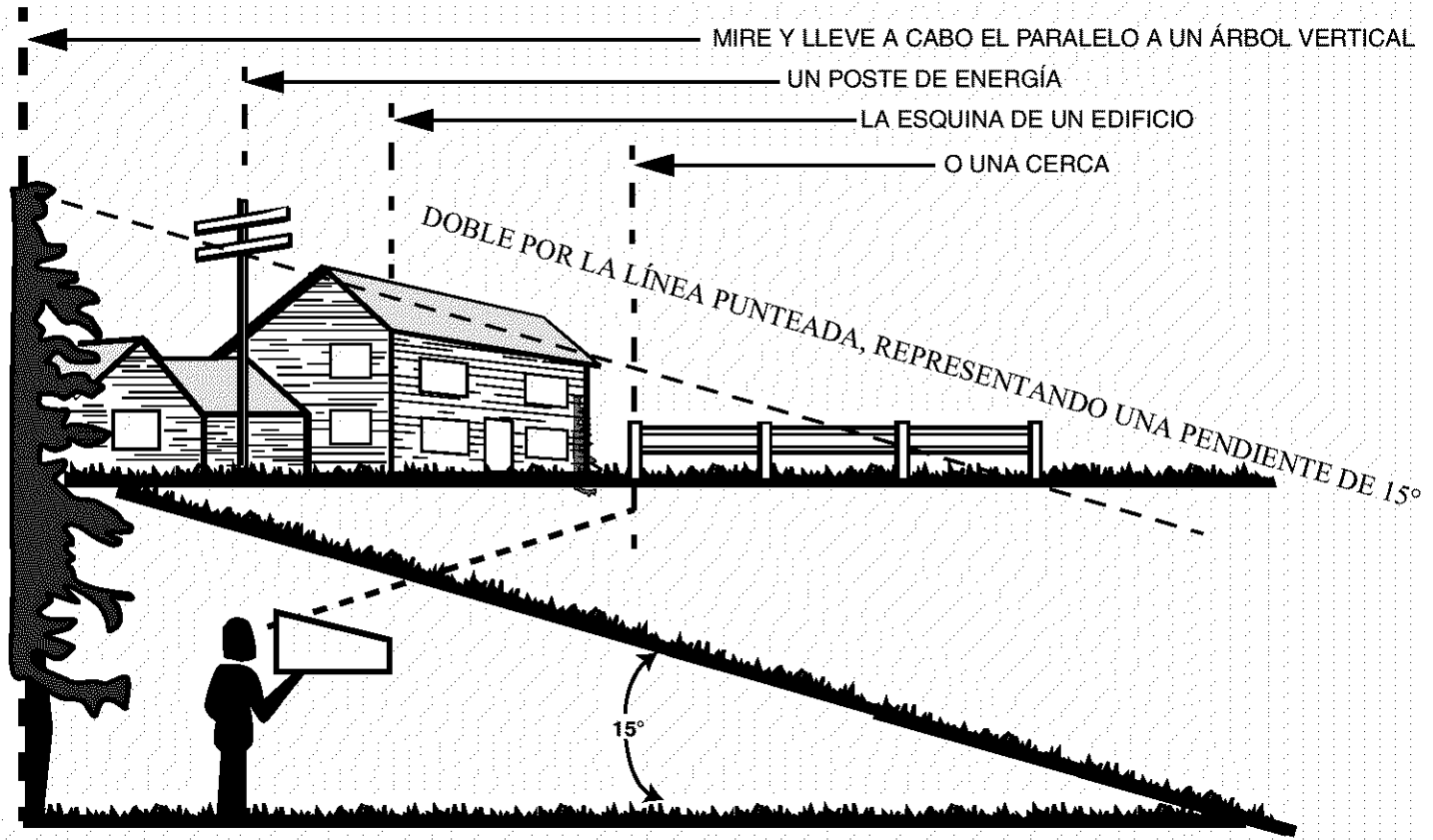
Operate RIDING mowers up and down slopes, never across the face of slopes.

Operate WALK-BEHIND mowers across the face of slopes, never up and down slopes.

INDICADOR DE PENDIENTE

Use esta página como una guía para determinar las inclinaciones de las pendientes en las que podría no tener una operación segura de su podadora.

1. Doble esta página en 15 grados de línea punteada cuesta abajo.
2. Sostenga la página en la longitud de los brazos delante de usted.
3. Alinee una de las líneas punteadas verticales en la página con un objeto vertical en su campo visual.
4. Si la cuesta de la colina cae debajo de la cuesta de la línea en la página, la cuesta de la colina es mayor de 15 grados.



ADVERTENCIA:

No opere en inclinaciones mayores a 15 grados (elevación aproximada de 2 1/2 pies por cada 10 pies). Una podadora en movimiento podría voltearse y causar lesiones severas. Si opera en un camino detrás de una podadora en una pendiente, es extremadamente difícil mantener su paso y podría derraparse, resultando en lesiones graves.

Opere las podadoras MONTABLES arriba y abajo de las pendientes, nunca a través de la cara de las pendientes.

Opere las podadoras QUE SE EMPUJAN a través de la cara de las pendientes., nunca arriba y abajo.

CONTENIDO

Contenido	Pág.	Contenido	Pág.
Listado de partes	25	Mantenimiento	59
Medidor de pendientes	46	Servicio y Ajuste.....	61
Información sobre la garantía	47	Almacenamiento fuera de temporada.....	69
Prácticas de seguridad en la operación	48	Solución de problemas	69
Montaje	52	Atención a clientes.	72
Operación	54		

INFORMACIÓN SOBRE LA GARANTÍA

GARANTÍA LIMITADA DE LA PODADORA MONTABLE: Pos dos (2) años a partir de la fecha de compra, si el equipo montable Craftsman se mantiene, lubrica y se afina de acuerdo con las instrucciones en el manual del propietario, Sears reparará o reemplazará sin costo para usted cualquier parte que se encuentre defectuosa en material o mano de obra de acuerdo con los lineamientos de la cobertura listados más abajo.

Sears proporcionará la mano de obra libre de cargo para usted por el servicio de las partes en garantía durante los dos años completos. Durante los primeros 30 días a partir de la fecha de compra, no habrá cargo por servicio al producto en su domicilio por todo lo que está cubierto en esta garantía. (Ver excepciones abajo).

Para su conveniencia, el servicio de garantía EN CASA estará disponible después de los primeros 30 días de la compra, pero se cobrará una cuota por la visita. Este cargo se dispensará si el producto se lleva hasta un centro de servicio autorizado por Sears. Para saber cuál es el centro de servicio autorizado Sears más cercano a su localidad, por favor llame al 1-800-4-MY-HOME(R). Esta garantía aplica solamente mientras el producto esté dentro de los Estados Unidos.

EXCLUSIONES

Esta garantía no cubre:

- Elementos que se desgastan por el uso normal, incluyendo entre otros, las cuchillas, bujías, filtros de aire, bandas, y filtros de aceite.
- Servicios de mantenimiento estándar, cambio de aceite o afinación
- Cambio de llantas o reparaciones causadas por pinchaduras con clavos, espinas, vidrios, etc.
- Reparaciones necesarias debido al mal uso por parte del operador, incluyendo entre otros, el daño ocasionado por arrastrar objetos más allá de la capacidad del equipo montable, el impacto de otros objetos que doblen la estructura o impacten el cigüeñal, o por forzar el motor.
- Reparaciones necesarias debido a negligencia del operador, incluyendo entre otros, daños mecánico y eléctrico ocasionado por un almacenamiento no apropiado, falla por el uso de aceite de grado y/o cantidad no apropiada, falla por no mantener limpia el área de cubierta, libre de residuos inflamables, o por no dar mantenimiento al equipo de acuerdo con las instrucciones contenidas en el manual del propietario.
- Limpieza o reparaciones al motor (sistema de combustible) provocadas por un combustible contaminado u oxidado (viejo). En general, el combustible debe utilizarse en un período no mayor de 30 días a partir de su adquisición.
- El deterioro normal y desgaste de los acabados exteriores, o reemplazo de la etiqueta del producto.
- Equipo montable utilizado con fines comerciales o renta.

GARANTÍA LIMITADA DE LA BATERÍA

Por noventa (90) días a partir de la fecha de compra, si la batería incluida con este equipo montable presenta defectos en material o mano de obra y las pruebas que nosotros efectuemos determinan que la batería no mantiene la carga, Sears reemplazará la batería sin costo para usted. Durante los primeros 30 días a partir de la fecha de compra, no habrá cargo por reemplazar la batería en su domicilio. Para su conveniencia, el servicio de garantía EN CASA estará disponible después de los primeros 30 días de la compra, pero se cobrará una cuota por la visita. Este cargo se dispensará si el producto Craftsman se lleva hasta un centro de servicio autorizado por Sears. Para saber cuál es el centro de servicio autorizado Sears más cercano a su localidad, por favor llame al 1-800-4-MY-HOME(R). Esta garantía sobre la batería aplica solamente mientras el producto esté dentro de los Estados Unidos. Esta garantía le otorga derechos legales específicos, pero usted podría gozar de otros derechos en razón de su lugar de residencia.

Sears, Roebuck and Co., Dept. 817WA, Hoffman Estates, IL 60179

ESPECIFICACIONES DEL PRODUCTO

Caballaje:10.0
 Aceite para el motor 48 oz. o 1.4 litros
 CombustibleRegular sin plomo
 Bujías:.....N/P 491055
 Motor:.....212907-0272
 Llave de encendido (Std.)N/P 725-0201

MODELO NÚMERO

Model número 247.27022
 Número de Serie.....
 Fecha de compra.....
 Registre el número de serie y la fecha de compra y conserve en un sitio seguro para referencia futura.

ACUERDOS DE GARANTÍA SOBRE REPARACIONES

Felicitaciones por esta inteligente compra. Su nuevo producto Craftsman® está diseñado y fabricado para años de funcionamiento confiable. Pero al igual que todos los productos, puede requerir reparaciones de vez en cuando. Y, es en esos momentos que un Acuerdo de Garantías sobre Reparaciones puede hacerle ahorrar dinero y malos momentos.

El Acuerdo consiste en lo siguiente:

- ✓ **Servicio experto** proporcionado por nuestros 12.000 especialistas en reparaciones.
- ✓ **Servicio ilimitado y sin cargo** para piezas y manos de obra en todas las reparaciones cubiertas.
- ✓ **Reemplazo de producto** si su producto cubierto por la garantía no puede ser arreglado.
- ✓ **Descuento del 10%** sobre el precio normal del servicio y piezas requeridas para llevar a cabo el servicio no cubiertas por el acuerdo. Asimismo, 10% de descuento sobre el precio normal de controles de mantenimiento preventivos.
- ✓ **Asistencia telefónica inmediata** – asistencia telefónica proporcionada por un técnico de Sears para los productos que requieren reparaciones dentro del hogar, más programación de reparación conveniente.

Adquiera un Acuerdo de Garantía sobre Reparaciones ahora y protéjase de complicaciones y gastos imprevistos.

Una vez que ha comprado el Acuerdo, una simple llamada telefónica es todo lo que necesita para coordinar el servicio. Puede llamar en cualquier momento día o noche, o programar un turno para el servicio en línea.

Sears tiene más de 12.000 especialistas en reparaciones profesionales, que tienen acceso a más de 4,5 millones de piezas y accesorios de calidad. Ese es el tipo de profesionalismo con el cual puede contar para ayudar a prolongar la vida útil de su nueva adquisición en años venideros. ¡Compre su Acuerdo de Garantía sobre Reparaciones hoy mismo!

Se aplican algunas limitaciones y exclusiones. Para obtener precios e información adicional, llame al 1-800-827-6655.

Servicio de Instalación Sears

Para la instalación profesional que brinda Sears de artefactos domésticos, dispositivos de apertura de puertas de garaje, calentadores de agua y otros artículos esenciales para el hogar, en los EE.UU., llame al 1-800-4-MY-HOME®

PRÁCTICAS DE SEGURIDAD EN LA OPERACIÓN



ADVERTENCIA: Este símbolo indica instrucciones de seguridad importantes que de no seguirse, podría poner en peligro la seguridad personal y/o la propiedad suya y de terceros. Lea y siga todas las instrucciones en este manual antes de iniciar la operación de esta máquina. En caso de no seguir estas instrucciones podría provocar lesiones personales. Cuando vea este símbolo—siga la advertencia.



ADVERTENCIA: La batería y las emisiones del motor contienen químicos que a saber del estado de California, producen cáncer, defectos de nacimiento o daño a la salud reproductiva. La batería y sus terminales contienen plomo, por lo que deberá lavarse las manos después de entrar en contacto con ellas.



ADVERTENCIA: Esta máquina fue construida para ser operada de acuerdo con las reglas de seguridad en la operación contenidas en este manual. Al igual que con cualquier tipo de equipo eléctrico, una falla o error de parte del operador puede producir graves lesiones. Esta máquina es capaz de amputar manos y pies y de arrojar objetos con gran fuerza. En caso de no obedecer las siguientes instrucciones de seguridad podría producir lesiones severas e incluso la muerte.

Funcionamiento general

1. Lea, entienda y siga todas las instrucciones en la máquina y en el manual antes de armarla y operarla. Guarde este manual para consultarlo regularmente y para ordenar partes de reemplazo.
2. Familiarícese con todos los controles y su operación apropiada. Conozca como detener la máquina y desactivarla rápidamente.
3. No permita nunca que los niños menores de 14 años operen esta máquina. Los niños mayores de 14 años deben leer y entender las instrucciones de operación y

- reglas de seguridad contenidas en este manual y deben ser entrenados y supervisados por sus padres.
4. Nunca permita que los adultos operen esta máquina sin recibir antes instrucción apropiada.
 5. Para ayudar a evitar el contacto con las cuchillas o una lesión por algún objeto que sea arrojado, mantenga a las personas que lo observan, a los ayudantes, niños y mascotas alejados al menos 25 metros de la máquina mientras está en funcionamiento. Detenga la máquina si alguien traspasa este radio de seguridad.
 6. Inspeccione detalladamente el área en donde utilizará el equipo. Retire todas las piedras, palos, llantas, huesos, juguetes y otros objetos extraños que podrían ser recogidos y arrojados por la acción de las cuchillas. Los objetos arrojados podrían ocasionar lesiones personales severas.
 7. Planifique el patrón en el que va a ir descargando el recorte para evitar que la descarga de material se realice hacia los caminos, los observadores, etc. Evite además descargar material contra las paredes y obstrucciones que podrían provocar que el material descargado rebote contra el operador.
 8. Para protegerse los ojos utilice siempre anteojos o antiparras de seguridad mientras opera la máquina o mientras la ajusta o repara. Los objetos arrojados que rebotan pueden lesionar gravemente la vista.
 9. Utilice zapatos de trabajo resistentes, de suela fuerte y pantalones y camisas ajustados. Las prendas sueltas o las alhajas pueden quedar atrapadas en las piezas móviles. Nunca opere esta máquina estando descalzo o con sandalias.
 10. Esté atento de la podadora y de la dirección de la descarga de los aditamentos y no apunte a nadie. Nunca opere esta podadora sin que estén en su lugar apropiado la cubierta de descarga o bolsa recolectora de pasto.
 11. No ponga las manos o los pies cerca de las piezas rotatorias o en la tolva de la cortadora. El contacto con las cuchillas puede producir la amputación de manos y pies.
 12. Una cubierta de descarga faltante o dañada puede provocar el contacto con la cuchilla o lesiones por objetos arrojados.
 13. Detenga las cuchillas cuando cruce caminos de gravilla, pasillos o caminos y cuando no esté recortando el césped.
 14. Vigile el tránsito vehicular cuando esté operando cerca o en cruces de caminos. Esta máquina no está diseñada para operarse en la vía pública.
 15. No opere esta máquina estando bajo los efectos del alcohol o de drogas.
 16. Corte el césped solamente con luz de día o con una buena luz artificial. Nunca transporte pasajeros.
 17. Desenganche las cuchillas antes de colocar la reversa. Retroceda lentamente. Siempre mire hacia abajo y atrás antes y mientras va en reversa para evitar un accidente.
 18. Reduzca la velocidad antes de dar la vuelta. Opere la máquina suavemente. Evite la operación errática y la velocidad excesiva.
 19. Desenganche las cuchillas, coloque el freno de mano, detenga el motor y espere hasta que las cuchillas se detengan por completo antes de retirar el colector de recortes de césped, vaciar los recortes, destapar la tolva, retirar cualquier residuo o desecho, o hacer cualquier ajuste.
 20. Nunca deje la máquina en funcionamiento sin vigilancia. Apague siempre las cuchillas, coloque la transmisión en neutral, coloque el freno de mano, detenga el motor y saque la llave, antes de bajarse del vehículo.
 21. Tenga cuidado al cargar o descargar la máquina en un camión. Esta unidad no debe conducirse en ascenso o descenso de rampas, porque podría ladearse y provocar lesiones personales graves. Debe empujar manualmente la unidad en la rampa para cargarla o descargarla apropiadamente.
 22. El silenciador y el motor se calientan y producen una quemadura. No los toque.
 23. Revise los espacios por encima de la cabeza antes de conducir bajo las ramas de los árboles, cables, cerramientos de puertas, etc. en donde el operador podría atorarse o ser empujado sacándolo de la unidad, lo que podría resultar en lesiones graves.
 24. Desenganche todos los embragues de aditamentos, presione el pedal de frenos completamente y cambie a neutral antes de intentar arrancar el motor.
 25. Su máquina está diseñada para cortar césped residencial normal, con una altura no mayor a 10". No intente cortar césped demasiado crecido, seco (pastura) o pilas de hojas secas. El césped y las hojas secas pueden entrar en contacto con el escape del motor y/o acumularse en la cubierta de la podadora, convirtiéndose en un peligro de incendio.
 26. Utilice solamente partes y accesorios fabricados especialmente para esta máquina, originales del fabricante (OEM). Lea, comprenda y siga todas las instrucciones proporcionadas con los accesorios o aditamentos.
 27. Los datos estadísticos muestran que los conductores mayores de 60 años se ven implicados en un alto porcentaje de lesiones relacionadas con tractores. Estos operadores deben evaluar su capacidad para operar el tractor en forma suficientemente segura para protegerse a ellos mismos y a los demás contra lesiones graves.
 28. Si se presentan situaciones que no están previstas en este manual sea cuidadoso y use el sentido común. Contacte al centro de servicio Sears para obtener ayuda.

Funcionamiento en pendientes

Las pendientes son un factor importante que se relaciona con accidentes de derrapes y caídas que puede producir lesiones graves e incluso la muerte. La operación en pendientes requiere mayor precaución. Si no puede retroceder en la pendiente o no siente que sea fácil, no pade allí. Para seguridad, use el medidor de pendientes que se pagina 46 para medir la pendiente antes de operar la unidad en una zona inclinada. Si la pendiente es mayor a 15 grados en el medidor, no opere esta unidad allí.

Haga lo siguiente:

1. Pade hacia arriba y abajo de las pendientes, no en forma transversal. Tenga cuidado cuando cambie de dirección cuando opere la máquina en pendientes.
2. Esté atento a los agujeros, raíces, rocas, objetos ocultos o abultamientos que puedan provocar que se derrape o se tropiece. El terreno desnivelado puede voltear la máquina. El césped alto puede ocultar obstáculos.
3. Vaya a baja velocidad. Elija una velocidad lo suficientemente baja de modo que no tenga que detenerse o hacer cambios mientras está sobre la pendiente. Las llantas podrían perder tracción sobre las

- pendientes aunque los frenos funcionen apropiadamente. Siempre mantenga la máquina con una velocidad seleccionada en la palanca mientras desciende las pendientes para poder frenar con motor.
4. Siga la recomendación del fabricante para los pesos o contrapesos de las llantas para mejorar la estabilidad de la máquina. Tenga especial cuidado con los colectores de recorte de césped u otros aditamentos, ya que pueden modificar la estabilidad de la máquina.
 5. Haga que todos los movimientos en las pendientes sean lentos y graduales. No cambie repentinamente la velocidad ni la dirección. Un frenado o cambio de velocidad repentinos pueden causar que el frente de la máquina se levante y de una voltereta hacia atrás, lo que podría producir lesiones severas.
 6. Evite arrancar o detenerse en una pendiente. Si las llantas pierden la tracción, desenganche las cuchillas y descienda lentamente la pendiente .

No haga lo siguiente:

1. No de vuelta sobre las pendientes a menos que sea necesario. Si es así, de vuelta lenta y gradualmente descendiendo de la pendiente, si es posible.
2. No corte el césped cerca de pozos, hundimientos, bancos, podría perder el equilibrio. La podadora podría volcarse repentinamente si una de las llantas estuviera fuera del borde de un pozo, banco u agujero.
3. No intente estabilizar la máquina poniendo su pie en el piso.
4. No utilice un colector de césped en pendientes escalonadas.
5. No pade el césped húmedo. Una menor tracción podría causar derrapes.
6. No haga cambios a neutral para descender. El exceso de velocidad podría causar que el operador pierda el control de la máquina ocasionando lesiones graves e incluso la muerte.
7. No arrastre cargas pesadas detrás de los aditamentos (carrito de basura cargado, podadora de rodillos, etc) en pendientes mayores de 5 grados. Cuando descienda, el peso adicional tiende a empujar el tractor y podría ocasionar que usted pierda el control. (el tractor podría acelerarse, reduciendo la capacidad de frenado y maniobrabilidad, los aditamentos podrían clavarse y hacer palanca y provocar que el tractor se voltee).

Niños

1. Pueden ocurrir accidentes trágicos si el operador no está atento a la presencia de niños. Por lo general a los niños les atraen las podadoras y la actividad de podar el césped. No entienden los riesgos ni los peligros. Nunca asuma que los niños permanecerán en el mismo lugar donde los vio por última vez.
 - a. Mantenga a los niños fuera del área de trabajo y bajo estricta vigilancia de un adulto responsable además del operador.
 - b. Esté alerta y apague la podadora si un niño ingresa al área.
 - c. Antes y mientras se está moviendo hacia atrás, mire hacia atrás y cuide que no haya niños.
 - d. Nunca transporte niños, aun con la cuchilla apagada. Podrían caerse y resultar severamente lesionados o interferir con la operación segura de la máquina.

- e. Tenga extrema precaución cuando se aproxime a esquinas ciegas, entradas de puertas, árboles u otros objetos que puedan obstaculizarle la vista de un niño que pudiese correr hacia la podadora.
 - f. Desenganche las cuchillas antes de colocar la reversa. La función de "No-Cortar-En Reversa" evita accidentes, no trate de hacer que funcione de otro modo.
 - g. Mantenga alejados a los niños de los motores en marcha o calientes. Pueden sufrir quemaduras con un silenciador caliente.
 - h. Retire la llave cuando deje la máquina sin atención para prevenir el funcionamiento no autorizado.
2. No permita nunca que los niños menores de 14 años operen esta máquina. Los niños mayores de 14 años deben leer y entender las instrucciones de operación y reglas de seguridad contenidas en este manual y deben ser entrenados y supervisados por sus padres.

Servicio

Manejo seguro de la gasolina

1. Para evitar lesiones o daños sea sumamente cuidadoso al manipular la gasolina. La gasolina es altamente inflamable y los vapores son explosivos. . Se puede lesionar gravemente si derrama gasolina sobre usted o sobre la ropa ya que se puede encender. Lave la piel y cámbiese de ropa de inmediato. .
 - a. Utilice sólo recipientes para gasolina autorizados.
 - b. Nunca llene los contenedores en el interior de un vehículo o camión o caja de camioneta con recubrimientos plásticos. Coloque siempre los contenedores en el piso lejos del vehículo antes de llenarlos.
 - c. Cuando sea práctico, retire el equipo a gasolina del camión o remolque y llénelo en el piso. Si esto no es posible, llene el equipo en un remolque con contenedor portátil, en vez de desde un dispensador de gasolina.
 - d. Mantenga la boquilla de llenado en contacto con el borde de la entrada del tanque de gasolina o contenedor en todo momento hasta que esté lleno. No utilice un dispositivo para abrir/cerrar la boquilla.
 - e. Apague todos los cigarrillos, cigarros, pipas y otras fuentes de combustión.
 - f. Nunca cargue combustible en la máquina en un espacio cerrado.
 - g. Nunca saque la tapa del gas ni agregue combustible mientras el motor está caliente o en marcha. Deje que el motor se enfríe por lo menos dos minutos antes de volver a cargar combustible.
 - h. Nunca recargue el tanque de combustible. Llene el tanque no más de 1/2 pulgada por debajo de la base del cuello del filtro para dejar espacio para la dilatación del combustible. .
 - i. Vuelva a colocar la tapa de la gasolina y ajústela bien.
 - j. Limpie la gasolina derramada sobre el motor y el equipo. Traslade la máquina a otra zona. Espere 5 minutos antes de encender el motor.
 - k. Para reducir el riesgo de incendio mantenga la máquina limpia de pasto, hojas y de acumulación

de otros escombros. Limpie los derrames de aceite o combustible y saque todos los escombros embebidos con combustible. .

- l. Nunca almacene la máquina o el recipiente de combustible en un espacio cerrado donde haya fuego, chispas o luz piloto como por ejemplo, calentadores de agua, hornos, secadores de ropa, otros aparatos a gas, etc.
- m. Deje que la máquina se enfríe 5 minutos por lo menos antes de almacenarla.

Servicio general

1. Nunca encienda un motor en espacios cerrados o en una zona con poca ventilación. El escape del motor contiene monóxido de carbono, un gas inodoro y letal. .
2. Antes de limpiar, reparar o inspeccionar la máquina, compruebe que la cuchilla y todas las partes que se mueven se hallan detenidos. Desconecte el cable de la bujía y póngalo de manera que haga masa contra el motor para evitar que se encienda de manera accidental.
3. Revise periódicamente para asegurarse de que las cuchillas se detengan por completo en aproximadamente cinco (5) segundos después de accionar el control de desenganche. Si las cuchillas no se detienen en este tiempo, su unidad debe ser reparada por un profesional en un centro de servicio autorizado.
4. Revise con frecuencia el funcionamiento del sistema de frenos ya que está sujeto a desgaste por la operación normal. Ajuste/de servicio según se requiera.
5. Revise los pernos de montaje de la cuchilla y del motor a intervalos frecuentes para verificar que estén bien apretados. Además, inspeccione visualmente la cuchilla en busca de daños (desgaste excesivo, abolladuras, cuarteaduras, etc)
Reemplace las cuchillas sólo con partes de los fabricantes de equipos originales (O.E.M.) listadas en este manual. "La utilización de partes que no cumplan con las especificaciones de equipos originales podría tener como resultado un rendimiento incorrecto y además la seguridad podría estar comprometida"
6. Las cuchillas de las podadoras son muy afiladas y podrían cortarlo. Envuelva la cuchilla o utilice guantes y

extreme precauciones cuando le de servicio.

7. Mantenga todos los pernos, tuercas y tornillos bien ajustados para asegurarse que la máquina se encuentra en condiciones seguras de operación
8. Nunca intente violar el sistema de bloqueo de seguridad u otros mecanismos de seguridad. Verifique regularmente si funciona de manera correcta.
9. Después de golpear con algún objeto extraño, detenga el motor, desconecte el cable de la bujía y conecte el motor a masa. Inspeccione minuciosamente para ver si la máquina está dañada. Repare el daño antes de arrancar y operar.
10. Nunca trate de hacer ajustes o reparaciones a la máquina mientras el motor está en marcha.
11. Los componentes de la tolva para recorte y la cubierta de descarga, están sujetos a desgaste y daños que podría dejar expuestas partes que se mueven o permitir que se arrojen objetos. Para proteger su seguridad, verifique frecuentemente todos los componentes y reemplácelos sólo con partes de los fabricantes de equipos originales (O.E.M.) listadas en este manual. "La utilización de partes que no cumplan con las especificaciones de equipos originales podría tener como resultado un rendimiento incorrecto y además la seguridad podría estar comprometida"
12. No cambie la configuración del regulador del motor ni lo opere a una velocidad demasiado elevada. El regulador controla la velocidad máxima segura de operación del motor.
13. Mantenga o reemplace las etiquetas de seguridad e instrucciones según sea necesario.
14. Respete las normas referentes a la disposición correcta y las reglamentaciones sobre gas, combustible, etc. para proteger el medio ambiente.

Su responsabilidad

Sólo permita que usen esta máquina eléctrica las personas que lean, comprendan y respeten las advertencias y las instrucciones que aparecen en este manual y en la máquina.

MONTAJE

Desempaque

1. Retire todos los tornillos y grapas de embalaje.
2. Sostenga los lados de la caja firmemente, levante la parte superior y retírela. Evite pinchar las llantas.
3. Retire y descarte la bolsa de plástico que cubre la unidad.
4. Levante la parte posterior de la podadora y deje libre el fondo de la caja. Repita por el frente.
5. Asegúrese que el freno de mano no está colocado. Vea en Figura 4 la ubicación del freno de mano.
6. Deslice la unidad hasta sacarla de la caja.

Partes sueltas

Saque las partes sueltas de la tolva para recortes y/o la caja con mucho cuidado. Compare con la lista de abajo.

- i. Adaptador para abono y tolva de descarga lateral
- ii. Manga para drenado de aceite
- iii. Llaves de encendido (no se muestran)
- iv. Manual del operador (no se muestra)

NOTA: Desde la posición de funcionamiento, se observa la referencia a la derecha o a la izquierda.

- Su podadora montable se envía sin gasolina ni aceite en el motor. Sin embargo, usted **debe** revisar el nivel de aceite antes de ponerla a funcionar. Tenga cuidado de no llenar en exceso.

Unión de la tolva de descarga lateral

Su podadora montable se envía con la tolva completamente colocada en la unidad. La tolva de descarga lateral y el adaptador para abonadora se incluyen por separado. Siga las instrucciones a continuación para colocar la tolva de descarga lateral.



ADVERTENCIA: No opere la podadora si no están instaladas una o más de las partes: tolva para recorte, tolva de descarga lateral o adaptador para abono.

1. Suba el cofre y baje la palanca de ajuste de la altura de corte a su posición más baja.
2. Levante el cofre desde la parte izquierda solamente. Párese del lado derecho de la unidad y jale el cofre hacia usted hasta que se abra por completo. Vea la Figura 1 .

NOTA: No levante el cofre por las dos aberturas de ventilación detrás del asiento.

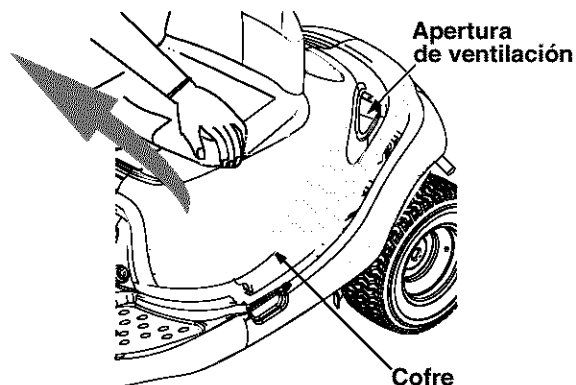


Figura 1

3. Retire las dos palometas (A y B en Figura 2) de los dos extremos de la tolva para descarga de recorte.
4. Afloje la tuerca mariposa C en la mitad de la tolva. No la quite.
5. Deslice la tolva para recorte a la derecha y afuera del marco de la cubierta. Deslice la tolva de descarga lateral para meterla y colóquela en la cubierta de modo que las posiciones de las tres tuercas de mariposa se alineen con la cubierta.
6. Reinserte las palometas A y B. Apriete las tres.

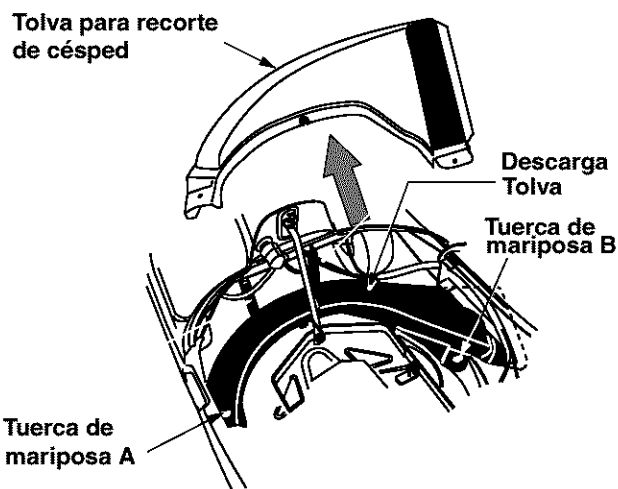


Figura 2

Unión del adaptador para abono

Al operar su podadora montable, usted tiene tres opciones: (i) coleccionar los recortes de césped en la tolva, (ii) descargar los recortes por un lado, o (iii) usar los recortes para abonar el mismo césped. Para la tercera opción, una el adaptador para abono a la tolva de descarga lateral y luego a la cubierta.

- Coloque los dos pernos hexagonales a través del adaptador para abono en las aberturas correspondientes. Ver Figura 3 .

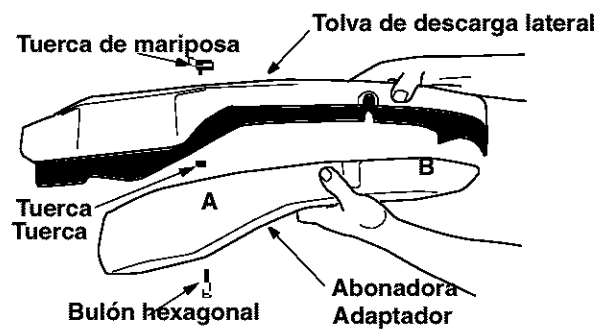


Figura 3

- Coloque las tuercas sobre los pernos hexagonales.
- Inserte el adaptador en la tolva de descarga lateral alineando las dos ranuras en los dos lados de la tolva con los del adaptador.
- Para unir ahora el adaptador a la unidad, siga las instrucciones para unir la tolva de descarga lateral a la cubierta.
- Coloque una tuerca de mariposa en cada uno de los pernos hexagonales y de unas cuantas vueltas. Ver Figura 3 . Revise que el adaptador esté alineado correctamente con la tolva de descarga.
- Ajuste la tuerca a mariposa.

OPERACIÓN

Conozca las propiedades de la podadora

Compare las ilustraciones en Figura 4 con su unidad para familiarizarse con la ubicación de los distintos controles y ajustes.



ADVERTENCIA: Al operar la podadora puede ser que objetos extraños sean arrojados a los ojos lo cual puede dañarlos gravemente. **Utilice siempre los anteojos de seguridad** provistos antes de operar el equipo o mientras lo ajusta o lo repara.

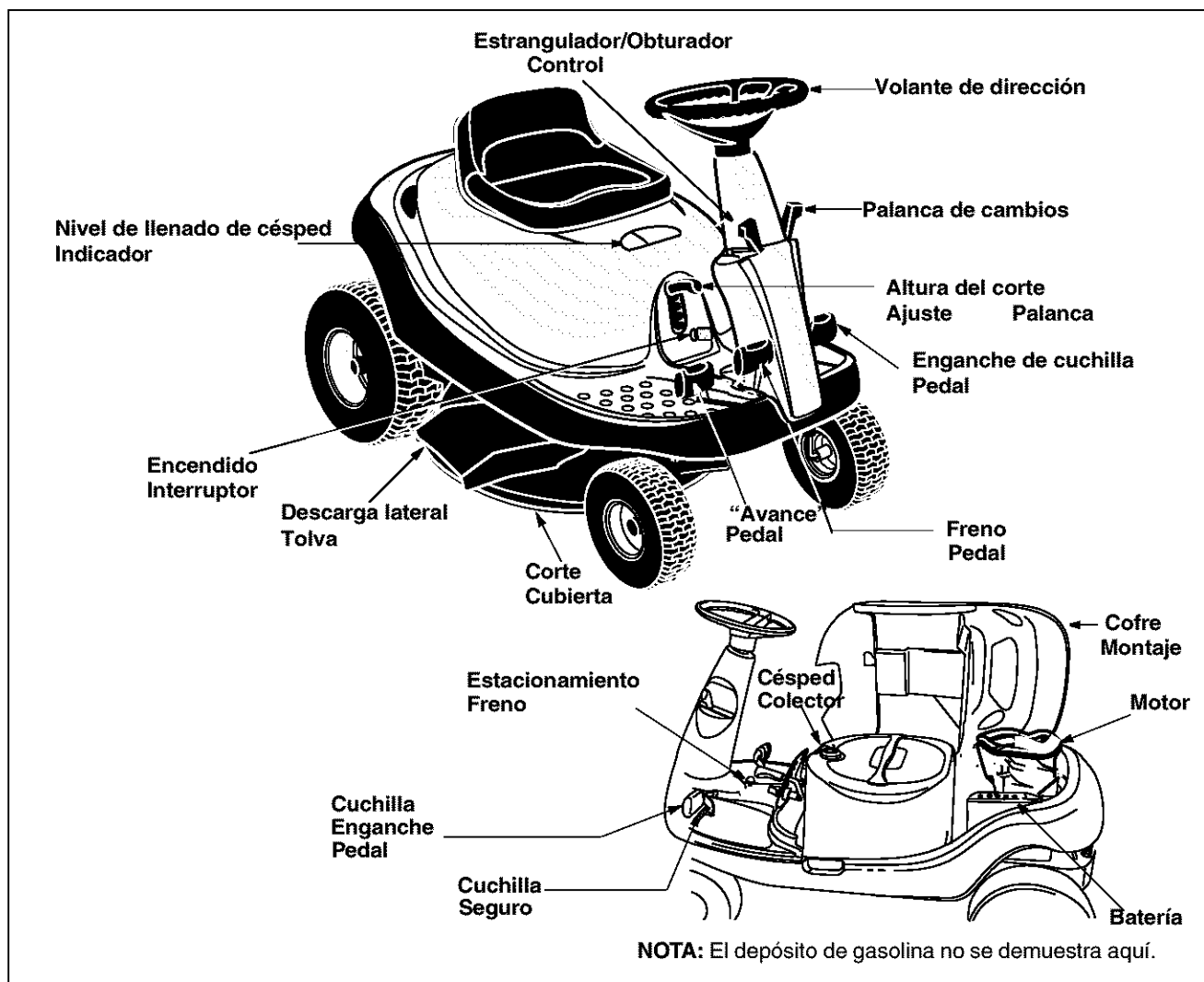


Figura 4

Control de estrangulador/obturador: Use para regular la velocidad del motor y arrancar el motor.

Pedal de avance: Use para regular la velocidad de la podadora.

Interruptor de encendido: Use para encender o apagar el motor.

Palanca de cambios: Use para cambiar la dirección de la podadora.

Indicador de Nivel de llenado de césped: Use para determinar el nivel de recorte en la bolsa y cuando vaciarla.

Freno de mano: Use para detener la podadora e impedir que se mueva mientras está estacionada.

Pedal de enganche de cuchilla: Use para enganchar o desenganchar la cuchilla.

Seguro de la cuchilla: Use para asegurar la cuchilla en su posición enganchada.

Palanca de ajuste de la altura de corte: Use para elevar y bajar la cubierta de corte que determina la altura de corte.

Pedal del freno: Use para detener el movimiento hacia adelante o en reversa de la podadora.

- Conozca la ubicación y función de todos los controles.
- Asegúrese que las cuchillas y el motor se detengan antes de colocar las manos o los pies cerca de las cuchillas.
- Antes de salir de la posición del operador, desenganche las cuchillas, coloque la palanca en neutral, coloque el freno de mano, apague el motor y saque la llave de encendido.

Detención de la podadora

1. Suelte completamente el pedal de enganche de la cuchilla.
2. Suelte completamente el pedal de avance y oprima el pedal de freno.
3. Cuando la podadora se detenga por completo, coloque la palanca de cambios en neutral.
4. Aplique el freno de mano jalándolo hacia arriba.
5. Gire la llave de encendido a la posición OFF (apagado) y sáquela del encendido.

Dispositivo de bloqueo de seguridad

Esta unidad está equipada con un sistema de bloqueo de seguridad para su protección. Los interruptores del dispositivo de bloqueo están conectados al pedal de frenos, al pedal de enganche de la cuchilla, a la palanca de cambios y al asiento.

El sistema de bloqueo de seguridad sirve a un triple propósito:

- a. prevenir que el motor arranque a menos que se presione el pedal de frenos y la cuchilla esté desenganchada;
- b. apagar el motor si la cuchilla no está desenganchada cuando la palanca se coloca en **reversa**; y
- c. apagar el motor cuando el operador sale de su posición sin colocar el freno de mano.



ADVERTENCIA: Para evitar el riesgo de lesiones, no haga funcionar la podadora montable si el sistema de bloqueo de seguridad presenta fallas en su funcionamiento.

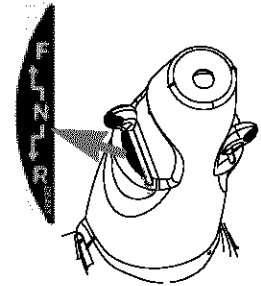
Uso de la palanca de cambios

La palanca se utiliza para controlar la dirección de la podadora montable. Puede colocarse en avance al Frente, en Neutral o en Reversa. Estas posiciones están marcadas como F, N, y R respectivamente en la unidad. **Esta unidad está diseñada para no cortar cuando la palanca está en la posición R.** (Si la cuchilla está enganchada mientras que la palanca de cambios está en la posición R, la unidad se apagará. Para volver a poner en marcha la unidad, desenganche la cuchilla).

1. Antes de mover la palanca a cualquiera de sus posiciones, presione el pedal de freno y detenga la unidad. Mantenga su pie en el pedal de freno.

2. La palanca de cambios está bloqueada en la posición N. Mueva la palanca hacia afuera (izquierda) y deslice la palanca hacia el frente o F o hacia abajo a la posición de reversa, según lo requiera.

NOTA: Mire hacia atrás y asegúrese que el camino esté libre de obstáculos antes de colocar la palanca en reversa.

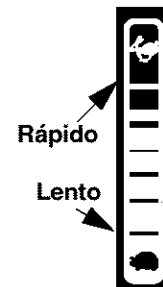


3. No exija demasiado a la palanca de cambios. Si no hace el cambio, suelte ligeramente el pedal de freno para alinear el collar de cambio en la transmisión y luego intente mover la palanca.
4. Suelte lentamente el pedal de freno y quite el pie del pedal. Asegúrese que no hay nadie en la trayectoria mientras está moviendo la podadora.

Control de estrangulador/ obturador

El control de estrangulador/ obturador se usa para aumentar o disminuir la velocidad del motor. Las posiciones de RÁPIDO y LENTO están marcadas con una liebre y una tortuga respectivamente.

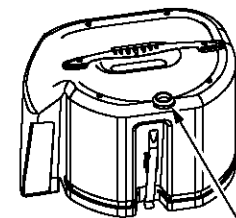
- Para la operación normal y cuando utilice un colector de recorte, mueva el control a la posición de RÁPIDO.
- Para una carga máxima de la batería y un motor más frío, mueva el control a la posición de RÁPIDO.
- Para transportarse y para arrastrar aditamentos, mueva el control a la posición de LENTO.



NOTA: No cambie la configuración del regulador para aumentar o disminuir la velocidad del motor. El regulador está ajustado de fábrica para un máximo rendimiento del motor y no debe ser modificado.

Indicador de Nivel de llenado de césped

Este indicador fue diseñado para aumentar la comodidad de su podadora montable. Mientras la podadora esté en marcha, el aire pasará a través de la tolva de descarga hacia el colector de césped. Si el colector de césped está vacío, el aire



Nivel de llenado Indicador

fluye fácilmente empujando la bola hacia arriba. Si el colector de césped está lleno, el aire no fluye dejando caer la bola. Así que cuando ve que la bola en el indicador de nivel de llenado del colector de césped se cae, debe detener la podadora y vaciar la bolsa.

Modelo de motor

Modelo de un sólo cilindro, enfriado por aire. Este es un motor de baja emisión.

Símbolos usados en el motor

Mensaje	Símbolo
Alerta de seguridad	
Encendido-Apagado	
Lea el manual del propietario	
Aceite	
Corte de combustible	
Obturación	
Combustible	
Paro	

Para conocer los significados de los símbolos de peligro, consulte la página 41.

NOTA: En el estado de California, los motores de la serie 210000 cubiertos en este manual está certificados por la Mesa de Recursos Ambientales de California que cumplen con los estándares de emisión para 250 horas. Dicha certificación no otorga al comprador, propietario u operador de este motor, ninguna garantía adicional con respecto al rendimiento o vida útil de este motor. Este motor esta garantizado únicamente de acuerdo con las garantías de producto y de motor indicadas en la sección correspondiente en este manual.

Diámetro 3-7/16 inch (87.31 mm.)

Carrera 2-17/64 inch (77.78 mm.)

Desplazamiento 21.00 cu.in. (344.1 cc)

Controles del motor

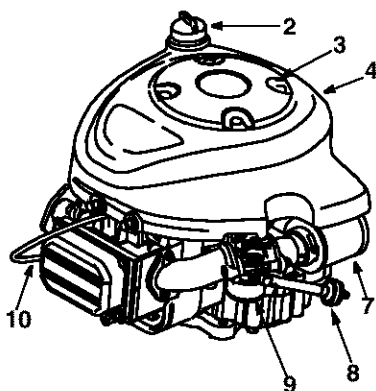


Figura 5

1.	Tapón ara drenado de aceite*
2.	Varilla de aceite
3.	Filtro giratorio
4.	Ventilador
5.	Silenciador*
6.	Arrancador*
7.	Filtro de aire
8.	Filtro de gasolina
9.	Carburador
10.	Cable de la bujía de encendido

* No demostrado

IMPORTANTE: Para una operación práctica, la carga no deberá exceder el 85% del caballaje especificado. La

potencia del motor se reducirá 3-1/2% por cada 1,000 pies (300 metros) sobre el nivel del mar y 1% por cada 10 F (5.6 C) sobre 77 F (25 C). El motor operará satisfactoriamente en un ángulo de hasta 15 grados.

Uso del Freno de mano

Para enganchar

1. Presione completamente el pedal de frenos y detenga la unidad.
2. Con su pie derecho en el pedal de frenos, mueva la palanca de cambios a la posición neutral.
3. Mantenga el pedal de frenos presionado con su pie derecho, jale la perilla del freno de mano. Asegúrese de que el freno de mano aguanta la unidad.
4. Suelte el pedal de freno. Detenga el motor y retire la llave. Ahora su podadora ya está estacionaria.

Para soltarlo

5. Presione el pedal de freno. El freno de mano se desenganchará automáticamente.

Antes de encender

Llenado de aceite

NOTA: Su podadora montable se envía sin gasolina ni aceite en el motor.

Asegúrese siempre de que el aceite en el motor es adecuado antes de arrancar el motor. (Capacidad de aceite: 48 oz./1.4 litros)

1. Coloque la podadora a nivel del piso y abra el cofre para acceder al motor.

NOTA: No levante el cofre por las dos aberturas de ventilación detrás del asiento.

2. Saque la varilla de nivel y límpiela con un trapo.
3. Vuelva a colocar la varilla y apriétela. Vuelva a sacar la varilla y revise la marca de nivel de aceite en ella. El nivel de aceite debe estar en la línea FULL (LLENO) en la varilla. Vea Figura 6A. Si el nivel está por debajo de eso, agregue aceite lentamente. Vuelva a revisar el nivel con la varilla. Si se requiere, agregue más aceite. Vea Figura 6B. Tenga cuidado de no llenar en exceso.

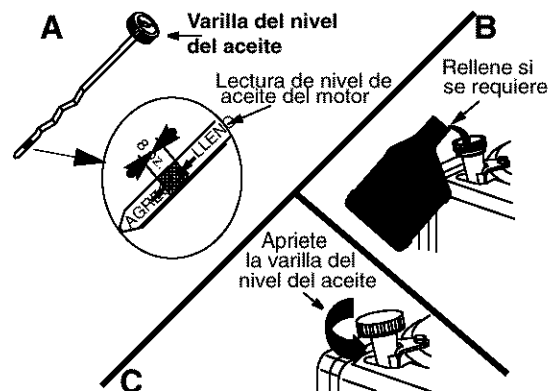
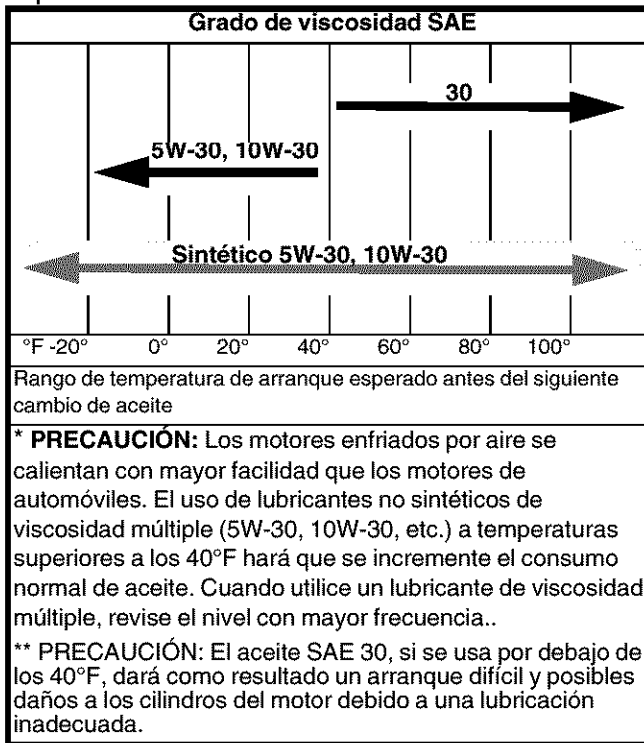


Figura 6

- Coloque la varilla en su posición y apriete para asegurarla. Vea Figura 6C.

Tipo de aceite



- Consulte la tabla anterior para conocer el grado apropiado de aceite.
- Use un aceite detergente de alta calidad clasificado "Para servicio SF, SG, Sh, SJ" o superior.
- No use aditivos especiales.

NOTA: El aceite sintético que cumple con la certificación ILSAC GF-2, API y con el símbolo API de servicio con "Conservación de energía SJ/CF" o superior es un lubricante aceptable a cualquier temperatura. **El uso de aceite sintético no modifica los intervalos de cambio de aceite.**

Batería

Normalmente la batería está cargada y lista para usarse, así que no tendrá que cargarla antes de arrancar. Sin embargo, si la batería se usa por primera vez después de la fecha mostrada en el costado de la misma batería, tendrá que cargarla mínimo por una hora a 4-6 amperes.

La batería se localiza bajo el cofre sobre la llanta trasera izquierda. Consulte Figura 20 .

Llenado de combustible



ADVERTENCIA: Llene el tanque de combustible en espacios abiertos bien ventilados, lejos de chispas, llamas, pilotos u otras fuentes de calor o encendido.

NOTA: En una podadora montable que ya ha sido arrancada y/o operada una vez inmediatamente antes

del llenado de combustible, apague el motor y déjelo enfriar al menos dos minutos antes de quitar el tapón de llenado de combustible.

- Retire el tapón de llenado y llene el tanque hasta aproximadamente 1.5 pulgadas por debajo del cuello para permitir la expansión del combustible. Tenga cuidado de no llenar en exceso.
- Vuelva a colocar el tapón en el tanque y apriete.

NOTA: Si derrama combustible en el motor o en el vehículo, espere a que se evapore antes de arrancar el motor.

Tipo de combustible

- Use gasolina limpia, fresca, regular, sin plomo con un octanaje mínimo de 85.
- No use gasolina mezclada con metanol, ni gasolina que haya estado almacenada por más de 30 días. Siempre compre únicamente el combustible en la cantidad que podría utilizar en un plazo de hasta 30 días. El combustible fresco impide que se acumulen residuos en el sistema de combustible o en el carburador.
- No mezcle la gasolina con aceite de motor.

NOTA: Algunos combustibles, llamados gasolina oxigenada o reformulada están mezclados con alcohol o éter. Usar estas mezclas frecuentemente puede dañar el sistema de combustible o afectar el rendimiento. Si se afecta el rendimiento del motor, use gasolina con un menor porcentaje de alcohol o éter.

Encendido del motor

- Conecte el cable de la bujía a la misma.
- Presione el pedal de freno con su pie derecho.
- Coloque el control de estrangulador/obturador en la posición de CHOKE (Obturbación) hasta adelante.
- Coloque la palanca de cambios en posición NEUTRAL.
- Gire la llave de encendido a la posición de START (arranque). Una vez que arranque el motor, deje que la llave regrese a la posición ON (encendido).
- Mueva el control de estrangulador/obturador para sacarlo de la posición CHOKE hasta la posición FAST (rápido).

Operación de la podadora montable

- Presione el pedal de freno para que se desenganche el freno de mano.
- Coloque la palanca de cambio en la posición de avance al Frente o en Reversa, según lo desee. **Mire hacia atrás mientras retrocede.**
- Suelte el pedal de freno.
- Presione el pedal de avance.
- Para detenerse, suelte completamente el pedal de avance y oprima el pedal de freno.

- Presione el pedal de enganche de las cuchillas hasta que comiencen a girar. Las cuchillas pueden activarse con la podadora en movimiento o detenida.



ADVERTENCIA: Cuando se enganchen las cuchillas, mantenga los pies y manos lejos de la abertura de descarga, las cuchillas y cualquier parte de la cubierta.

NOTA: Su podadora montable está equipada con un seguro de la cuchilla para mantenerla enganchada sin que el operador deba mantener el pedal presionado constantemente. Vea Figura 4.

- Para activar el seguro de la cuchilla:** Al tiempo que presiona el pedal de la cuchilla, empuje el seguro de bloqueo de la cuchilla con su talón. Deberá trabarse en la posición de “cuchilla enganchada”. Para desactivar el seguro de la cuchilla, presione el pedal de la cuchilla y suelte el seguro.

Detención de la podadora

Consulte las instrucciones detalladas en la página 55.

NOTA: No deje la llave en la posición ON cuando no está operando la podadora. Si lo hace se descargará completamente la batería.

Para vaciar el colector de recorte de césped

- Detenga la podadora completamente, coloque el freno de mano y quite la llave del encendido. Salga del asiento del operador.
- Abra el cofre. Jale hacia arriba la bolsa de recorte por la manija y llévela al sitio apropiado para desecho. Vea Figura 7.

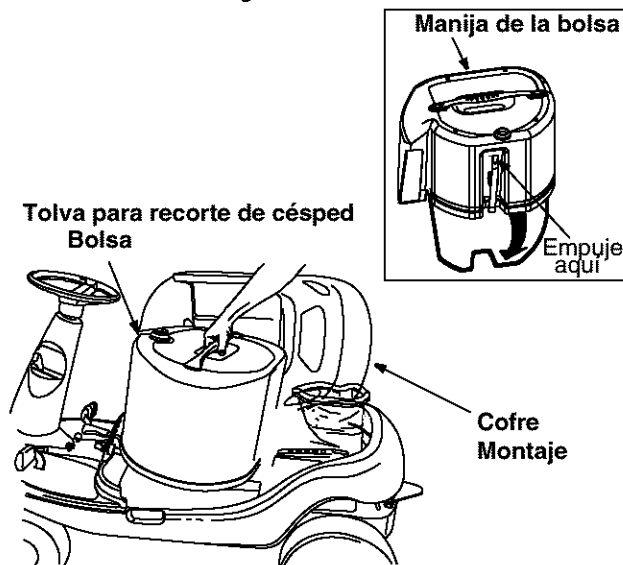


Figura 7

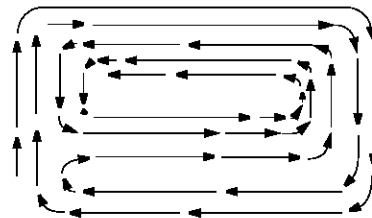
- Sostenga la bolsa alejada de su cuerpo. Empuje la palanca de la bolsa y deje que la sección inferior de la bolsa caiga. Los recortes de césped caerán por el fondo. Vea Figura 7.
- Golpee suavemente la bolsa contra el piso de modo que las tres patas de la bolsa presionen contra el piso. La palanca de la bolsa debe cerrarse cuando usted presiona la bolsa hacia abajo.
- Vuelva a colocar la bolsa en la podadora asegurándose de que se asiente en el borde en la parte superior de la tolva de descarga. Cierre el cofre.

Uso de la podadora montable

Obedezca las reglas de seguridad listadas en las páginas 3-5 de este manual para operar en forma segura su podadora montable.

- Antes de podar, asegúrese de que la cubierta de corte esté nivelada. Para conocer la manera de ajustar la cubierta, consulte la página 63.
- Puede enganchar la cuchilla presionando el pedal de la cuchilla con su pie izquierdo mientras está en la posición del operador.
- Cuando podes un área por primera vez, tenga cuidado con los objetos en el césped. Si golpea un objeto extraño, detenga el motor. Retire el cable de la bujía, inspeccione la podadora para ver que no tenga daños y repare cualquier daño antes de reiniciar la operación. Repare el daño antes de arrancar y operar.
- Evite maltratar el césped ajustando la altura de corte y/o afilando las cuchillas.
- Pode con el regulador al máximo. Conozca el terreno en el que está podando. Para mejores resultados, pode cuando el pasto está seco.

El patrón de corte recomendado se indica a continuación:



- Pode el césped frecuentemente y a intervalos regulares de modo que solamente corte 1/3 de la altura de la cuchilla en una sola pasada.
- Para vaciar la bolsa colectora, **detenga la podadora montable por completo**, aplique el freno de mano y apague el motor. Esto impedirá que el gas caliente del escape queme el césped.
- En muchas comunidades ya no se recogen los recortes de césped para desechos en rellenos. Una solución viable es la de usar como composta para abono los recortes de su propio césped. Para esto tendrá que vaciar la bolsa colectora en el sitio designado para la elaboración de composta.

Abonadora

- Su podadora montable está equipada con un adaptador para usar el recorte como abono y reciclarlo en el mismo césped en vez de recolectarlo en una bolsa.
- Para mejores resultados, pade cuando el pasto está seco. Si corta el césped húmedo podría dañar

la parte inferior de la cubierta porque el césped húmedo tiende a adherirse a esta. Limpie la cubierta si poda césped húmedo.

- Para un abono efectivo, traslape las trayectorias para que los recortes se distribuyan uniformemente.

MANTENIMIENTO

Recomendaciones en general



ADVERTENCIA: Siempre detenga el motor y desconecte la bujía antes de limpiar o de hacer algún tipo de mantenimiento o ajustes. Mantenga siempre la seguridad y siga las instrucciones dadas a continuación para completar la tarea.

- La garantía de esta podadora montable no cubre elementos que han estado sujetos al mal uso o negligencia del operador. Para recibir el reembolso total de la garantía, el operador deberá dar mantenimiento a la podadora como se indica en este manual. Consulte el calendario de mantenimiento.
- No recomendamos el uso de una limpiadora a presión o manguera de jardín para limpiar su unidad. Pueden producir daños a los componentes eléctricos, engranajes, poleas, rodamientos o al motor. El uso de agua acortará la vida de su podador a montable y reducirá la posibilidad de reparaciones.

Calendario de mantenimiento

	Primeras 5 horas	25 horas	50 horas	100 horas	Cada estación	Rearmado
Controle la hoja de la cortadora		✓				✓
Lubricación de juntas, flecha de dirección, engranaje					✓	
Lubricación de enlace de cubierta, ruedas delanteras					✓	
Cambio del aceite del motor	✓		✓			
Servicio al filtro de aire del motor		✓				
Servicio a la bujía				✓	✓	
Sistema de enfriamiento limpio del motor				✓		

Cuidado de la cuchilla



ADVERTENCIA: proteja sus manos usando guantes para trabajo pesado o usando una estopa para sujetar la cuchilla. Evite lesiones personales.

Retiro

1. Quite la tuerca de brida hexagonal de 5/8" que sostiene la cuchilla al mecanismo.
2. Saque la cuchilla de su mecanismo. Ver Figura 8.

Afilado

1. Cuando afile la hoja, siga el ángulo original de giro como guía. Es de suma importancia que cada extremo de corte sea desbastado **de igual manera** para evitar que la hoja quede desequilibrada.

2. Se puede probar la hoja balanceándola sobre un destornillador o clavo. Saque el metal del lado pesado hasta que quede bien balanceada.



ADVERTENCIA: Si la hoja está desequilibrada producirá una vibración excesiva cuando gire a alta velocidad y puede dañar la unidad y podría romperse, causando lesiones personales.

Rearmado

1. Antes de reinstalar la cuchilla en la unidad, lubrique el mecanismo adaptador de la cuchilla usando aceite ligero o aceite para motor.
2. Alinee la "estrella" en la nueva cuchilla con la "estrella" en el mecanismo.

3. Instale la cuchilla con el lado marcado "Bottom" (inferior) o con el número de parte hacia el piso cuando la podadora está en posición de operación.
4. Ajuste la tuerca con reborde. Vea la Figura 8.

IMPORTANTE: Apriete de montaje de la cuchilla **70/90 pies-lbs.** máximo.

NOTA: Para garantizar una operación segura, todas los pernos y tuercas deben revisarse periódicamente para corregir el apriete.

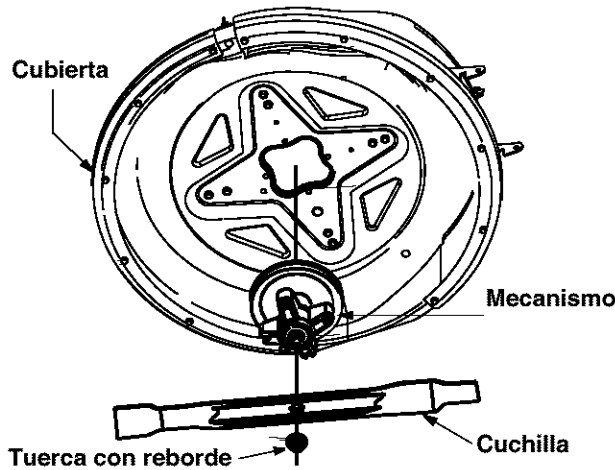


Figura 8

Motor



ADVERTENCIA: Antes de realizar cualquier mantenimiento en el motor, desconecte la bujía y la batería para impedir el arranque accidental o que se produzca una chispa.

- Cambie el aceite del motor después de las primeras cinco a ocho horas de uso y luego cada 50 horas o cada temporada, lo que ocurra primero. Cambie el aceite cada 25 horas cuando opere la podadora montable en condiciones de carga pesada o en altas temperaturas.
- El bajo rendimiento del motor y el ahogamiento normalmente son indicaciones de que el filtro de aire necesita mantenimiento. Limpie el pre-filtro y el cartucho del filtro de aire cada 25 horas de uso o una vez cada temporada, lo que ocurra primero. Limpie más frecuentemente cuando haya mucho polvo. Reemplace también las partes del filtro de aire si están muy sucias.
- Limpie la bujía y revise la calibración cada 100 horas de uso o una vez cada temporada, lo que ocurra primero.

Filtro de aire

Controle el depurador de aire cada 25 horas de operación. Controle más frecuentemente si se opera bajo condiciones de mucho polvo. Ubique el depurador de aire sobre el motor.

1. Retire la abrazadera y saque el depurador de aire del colector de admisión.

2. Reemplace con el depurador de aire (número de parte 698-973)
3. Reensamble el depurador de aire.

Bujía de encendido

1. Limpie el área alrededor de la base de la bujía.
2. Saque e inspeccione la bujía.
3. Cambie la bujía si los electrodos están picados, quemados o la porcelana está rota. Ver Figura 9.
4. Limpie la bujía y ajuste el espacio a 0.020" al menos una vez cada estación o cada 100 horas de operación. Ver Figura 9. Reemplace cuando sea necesario. Consulte el número de parte en la sección de la lista de partes.

NOTA: No lije la bujía. Las bujías pueden limpiarse tallando con cepillo de alambre y lavando con un solvente comercial.

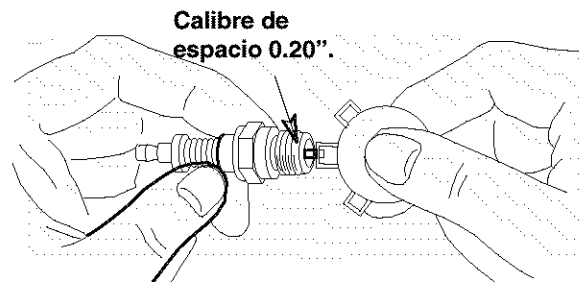


Figura 9

Cambio de aceite

Su podadora montable tiene una manguera plástica para el drenado de aceite, empaquetada con las partes sueltas, para drenar el aceite desde el cárter.

1. Haga funcionar el motor de la podadora por unos pocos minutos, y apague la llave de encendido. Asegúrese que la podadora montable esté completamente detenida y el freno de mano puesto.
2. Levante el cofre para acceder a la válvula de drenado de aceite.
3. Retire la cubierta amarilla de la válvula en la válvula de drenado de aceite y conecte un extremo de la manguera de drenado de aceite a esta abertura. Esta válvula está localizada en el extremo de un accesorio a 90 grados cerca de la ménsula de montaje del tanque de combustible. Vea la Figura 10
4. Coloque el otro extremo de la manguera de drenado de aceite dentro de un recipiente apropiado para recoger el aceite del motor usado.
5. Empuñe la válvula de drenado de aceite, empújela hacia adentro y gire en sentido contrario a las agujas del reloj hasta que se detenga. Vea la Figura 10. Tire hacia afuera la válvula de drenado.
6. Espere hasta que todo el aceite haya drenado dentro del recipiente.
7. Empuñe la válvula de drenado de aceite, empújela hacia adentro y gire en sentido de las agujas del reloj hasta que se detenga.

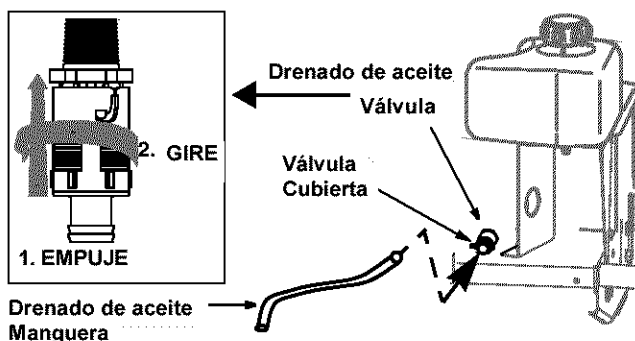


Figura 10

8. Desconecte con cuidado la manguera de la válvula de drenado de aceite para evitar que el aceite se derrame sobre el equipo y vuelva a colocar la tapa amarilla. Retire el recipiente y elimine el aceite usado de manera apropiada.
9. Retire la varilla de nivel del aceite del llenado de aceite en el motor.
10. Llene con aceite para motor nuevo del grado apropiado. Consulte la tabla de viscosidad en la página 56 para determinar el tipo de aceite.
11. Controle el nivel de aceite como se indica en la página 56. Agregue más aceite de ser necesario y ajuste la varilla de aceite con firmeza.
12. Cierre el cofre.

Lubricación

Vea en Figura 11 una ilustración de los puntos de lubricación que se describen a continuación.

- **Montaje de la cuchilla:** Lubrique el mecanismo de la cuchilla y de la cubierta solamente mientras reinstala la cuchilla después de afilarla o cambiarla.
- **Puntos de junta:** Lubrique los puntos de junta con aceite liviano una vez por temporada.
- **Flecha y engranaje de dirección:** Lubrique la flecha de dirección y la canal con aceite liviano una vez por temporada.

- Lubrique la dentadura de los engranajes externos de la dirección con grasa multiusos al menos cada 25 horas de operación o una vez en cada temporada.
- **Enlaces:** Lubrique todos los enlaces de la cubierta y los del ajuste de altura con aceite liviano.
- **Ruedas delanteras:** Lubrique las ruedas delanteras al menos una vez por temporada con grasa automotriz multiusos.

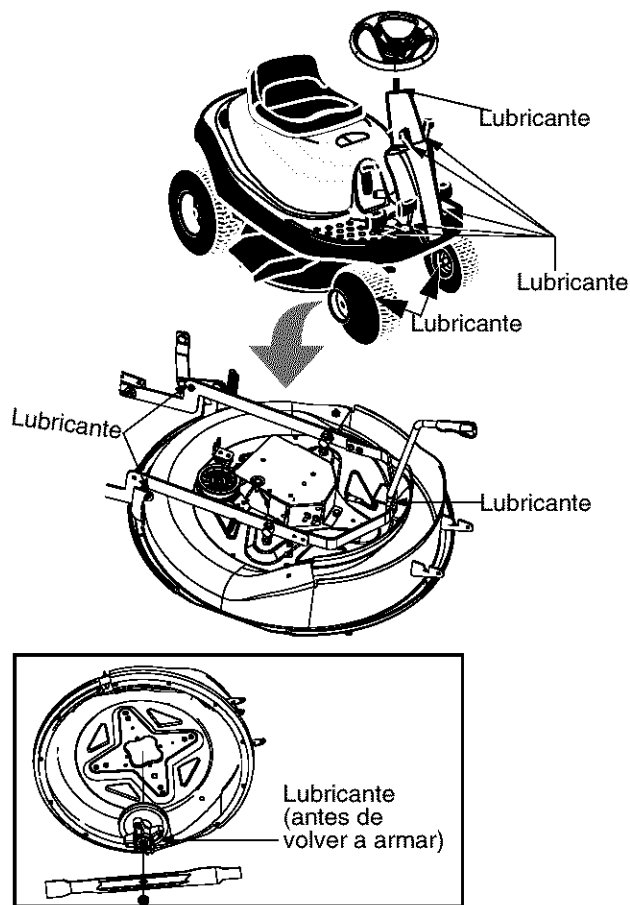


Figura 11: Tabla de lubricación

SERVICIO Y AJUSTE

Ajustes



ADVERTENCIA: Bajo ninguna circunstancia realice ningún tipo de ajuste a la unidad sin detener el motor y desconectar el cable de la bujía con anterioridad.



ADVERTENCIA: No ajuste el freno con el motor en marcha. Asegúrese de calzar las ruedas de la podadora antes de hacer cualquier ajuste al cable de frenos.

Pedal del freno

El pedal de frenos necesita hacer contacto con el interruptor de corte de energía para que el motor arranque. Durante la operación normal de la podadora, el freno está sujeto a desgaste. Revise el freno periódicamente realizando la siguiente prueba:

1. Suelte el freno de mano y coloque la podadora en neutral. Presione el pedal de freno y trate de rodar la podadora. El tractor no deberá moverse. Si el tractor se mueve, ajuste el freno.

El ajuste en el pedal de freno se hace en el extremo del cable. Vea Figura 12.

2. Aplique el freno de mano y apague el motor.
3. Coloque el nivel de altura de corte en la posición más baja.

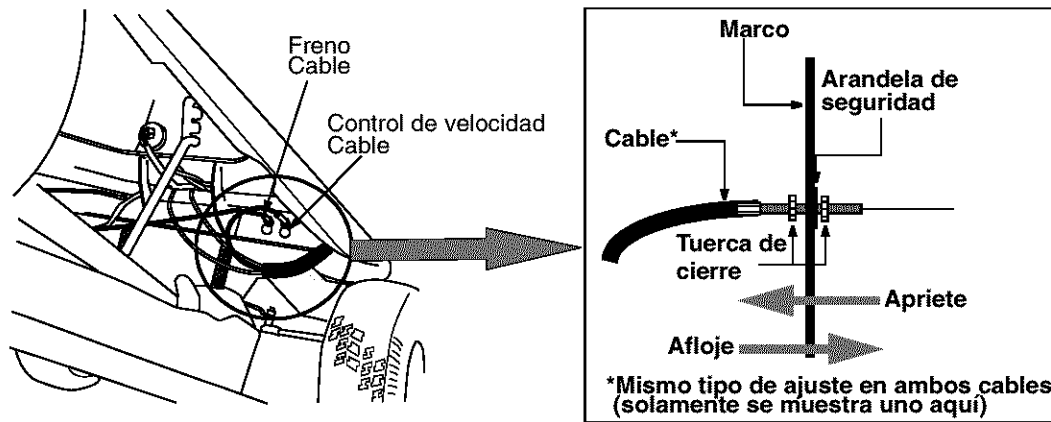


Figura 12

4. Abra el cofre y retire la bolsa recolectora y la tolva de descarga y/o el adaptador para abono de la podadora.
 5. Desconecte el cable de la bujía.
 6. Localice el cable de frenos del lado derecho bajo el alojamiento delantero. Vea Figura 12 .
 7. Use un par de llaves de 1/2" para aflojar las tuercas de cierre y ajustar el cable, haciéndolo para atrás para apretarlo o hacia adentro para aflojarlo. Vea Figura 12 .
 8. Vuelva a apretar las tuercas de cierre cuando consiga la tensión apropiada.
 9. Quite el freno de mano y repita la prueba descrita anteriormente. Vuelva a ajustar en caso necesario.
2. Baje la altura de corte para cortar más cerca de la tierra.
 3. Eleve la altura de la cubierta a su posición más alta cuando vaya por una banqueta o camino.
 4. Para cortar césped crecido o grueso, mueva la palanca de ajuste de altura de corte a la posición más alta y corte. Luego mueva la palanca a una posición más baja y vuelva a podar.

Pedal de avance

El ajuste en el pedal de avance se hace en el extremo del cable. Ver Figura 12 .

1. Aplique el freno de mano y apague el motor.
2. Coloque el nivel de altura de corte en la posición más baja.
3. Abra el cofre y retire la bolsa recolectora y la tolva de descarga y/o el adaptador para abono de la podadora.
4. Desconecte el cable de la bujía.
5. Localice el cable de control de velocidad bajo el alojamiento delantero. Ver Figura 12 .
6. Afloje las tuercas de cierre y ajuste el cable, haciéndolo para atrás para apretarlo o hacia adentro para aflojarlo, como se muestra.
7. Vuelva a apretar las tuercas de cierre cuando consiga la tensión apropiada.
8. Vuelva a conectar el cable de la bujía y cierre el cofre.

Altura del corte

La palanca de nivelación de la altura de corte se localiza en el cofre. Para una representación de las posiciones de la altura de corte, consulte Figura 4.

1. Saque el nivelador de la ranura y deslícelo hacia arriba o abajo a la altura de corte deseada.

Posición del asiento

Puede ajustar la posición del asiento de su podadora montable para máxima comodidad del operador.

1. Detenga completamente la podadora y aplique el freno de mano. Apague el motor.
2. Abra el cofre.
3. Afloje los cuatro tornillos en el fondo del asiento.
4. Deslice el asiento hacia adelante o atrás en la ranura y coloque como lo desea. Vuelva a apretar los cuatro tornillos.

Freno de la cuchilla

El pedal de enganche de la cuchilla debe ajustarse de modo que si lo presiona aproximadamente 3/4" desde el frente de la ranura, comience a enganchar la banda de la cubierta. Ver Figura 13 .

Bajo condiciones normales de operación, el pedal de enganche de la cuchilla no requiere ajustes frecuentes. Sin embargo, realice la siguiente prueba periódicamente y asegúrese que funciona perfectamente.

1. Abra el cofre y revise si hay suficiente juego en el cable de enganche de la cubierta.
2. Presione el pedal de enganche de la cuchilla (aprox. 3/4") y revise si la banda se engancha. Si el cable está muy apretado o muy flojo o la banda no se engancha, ajuste el cable.
3. El cable de enganche de la cubierta estará correctamente ajustado cuando el cable se mueva aproximadamente 1/2" fuera de la línea del centro en ambas direcciones.

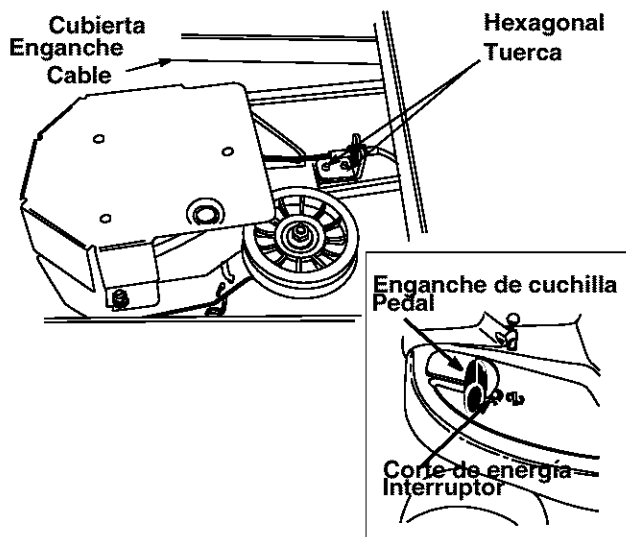


Figura 13

El ajuste en el pedal de freno de la cuchilla se hace en el extremo del cable. Ver Figura 13.

1. Si la banda se patina cuando presiona el pedal de enganche de la cuchilla aproximadamente $3/4$ ", afloje las dos tuercas hexagonales en el cable. Ver Figura 13.
2. Si la banda se engancha antes de que el pedal de enganche de la cuchilla esté a $3/4$ " del interruptor de corte de energía, apriete las dos tuercas hexagonales en el cable. Ver Figura 13.
3. Repita la prueba de enganche de la cuchilla y vuelva a ajustar en caso necesario.
4. Cierre el cofre.

Alineación de las ruedas

Las ruedas delanteras deben tener una convergencia de $1/16$ - $5/16$ pulgada. Para ajustar la convergencia, siga estos pasos:

1. Retire la tuerca hex de $3/8$ " y la arandela que sostiene la rótula al segmento de la dirección. Ver Figura 14.

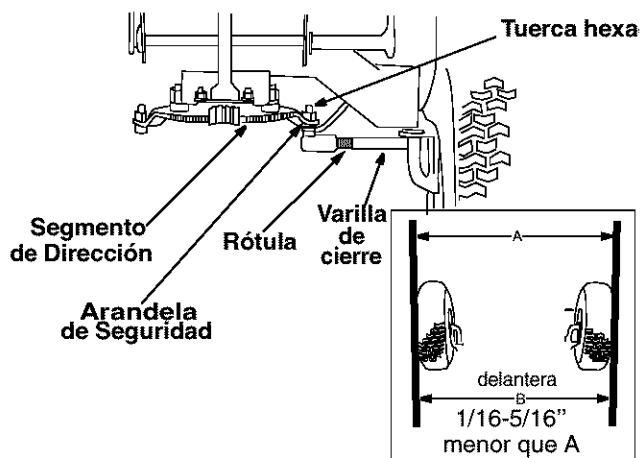


Figura 14

2. Ajuste la rótula hacia adentro o afuera hasta que la convergencia sea aproximadamente $1/16$ - $5/16$ "

(Dimensión "B" debe ser aproximadamente $1/16$ - $5/16$ " menor que la dimensión "A"). Ver Figura 14.

3. Vuelva a colocar la rótula en el segmento de la dirección y vuelva a colocar la tuerca hex $3/8$ " y la arandela.

Ajuste de la cubierta

Hay tres pruebas para verificar la nivelación de la cubierta en la podadora. Los resultados de cada prueba determinarán que tipo de nivelación requiere el equipo.

IMPORTANTE: Haga los ajustes de la cubierta en una superficie plana y nivelada. Antes de continuar con el ajuste de cubierta, revise la presión de aire de las cuatro llantas. La presión de aire recomendada es de 12 psi. Por favor note que las válvulas de inflado en esta podadora están por dentro en las llantas delanteras y por el exterior en las llantas traseras.

Prueba 1. Revisión del ajuste de altura en la parte posterior de la cubierta

1. Levante el cofre y quite el recolector de césped de la podadora. Coloque la cubierta en la posición más elevada.
2. Revise la parte posterior de la cubierta. Si la cubierta hace contacto con la ménsula del cable al frente de la transmisión, tendrá que ajustar la altura posterior de la cubierta.

Prueba 2. Revisión del nivel comparativo delantero-posterior

1. Coloque la cubierta en la posición más elevada.
2. Usando un par de guantes para trabajo pesado, haga girar la cuchilla de modo que el frente apunte hacia atrás y paralelo a la montura. Presione y bloquee el pedal de enganche de la cubierta.
3. Mida la distancia desde las puntas delantera y trasera de la cuchilla al piso, el frente debe estar aproximadamente $1/4$ " a $3/8$ " más bajo que la parte posterior.
4. Si la distancia es mayor, nivele el frente de la cubierta.

Prueba 3. Revisión del nivel comparativo lado a lado

1. Coloque la cubierta en la posición más elevada.
2. Usando un par de guantes para trabajo pesado, haga girar la cuchilla de modo que apunte de lado a lado y perpendicular a la montura. Presione y bloquee el pedal de enganche de la cubierta.
3. Mida la distancia de las puntas de la cuchilla al piso.
4. Si las distancias son diferentes, nivele la cubierta en ambos lados.

Ajuste de altura en la parte posterior de la cubierta

1. Afloje completamente pero no quite la tuerca hexagonal más alta de las tres que sostienen el perno y la férula en el gancho de la cubierta. Ver Figura 15 .

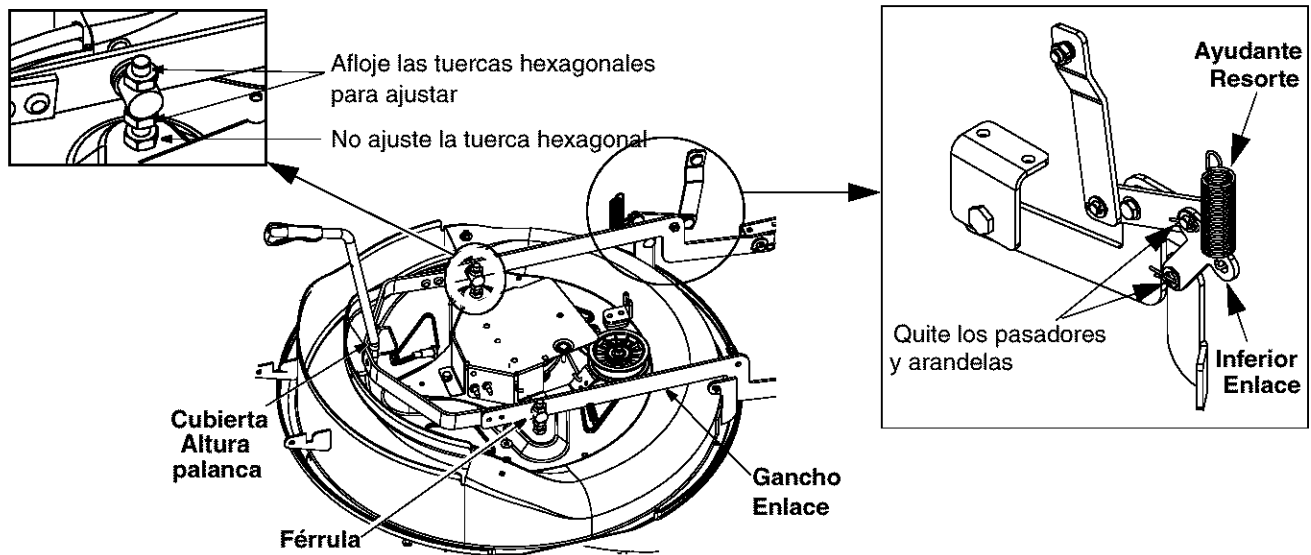


Figura 15

IMPORTANTE: No trate de aflojar/apretar la tuerca más inferior.

1. Apriete la tuerca del medio tanto como se pueda.
2. Localice los enlaces inferiores en la parte posterior de la cubierta. Trabaje un solo lado a la vez, desconecte los resortes de ayuda.
3. Retire cada enlace inferior quitando el par de pasadores y arandelas.

IMPORTANTE: Vuelva a unir los enlaces inferiores como se muestra en Figura 15.

Nivelación delantero-posterior

1. Coloque la cubierta en la posición más elevada.
2. Usando un par de guantes para trabajo pesado, haga girar la cuchilla de modo que el frente apunte hacia atrás y paralelo a la montura. Presione y bloquee el pedal de enganche de la cubierta.
3. Afloje completamente pero no quite la tuerca hexagonal más alta de las tres que sostienen el perno y la férrula en el gancho de la cubierta. Ver Figura 15.

IMPORTANTE: No trate de aflojar/apretar la tuerca más inferior.

4. Apriete la tuerca del medio tanto como se pueda.
5. Mantenga un número igual de vueltas de rosca arriba de cada una de las tuercas, apriete la tuerca superior hasta que el frente de la cuchilla esté 1/4" a 3/8" más abajo que la punta posterior de la cuchilla. Note que al apretar esta tuerca se elevará el frente de la cubierta.
6. Apriete la tuerca del medio contra la base de la férrula. Ver Figura 15.
7. Apriete la tuerca superior contra la parte superior de la férrula para ajustar el seguro.

Nivelación lado a lado

1. Coloque la cubierta en la posición más elevada.
2. Usando un par de guantes para trabajo pesado, haga girar la cuchilla de modo que apunte de lado a lado y perpendicular a la montura. Presione y bloquee el pedal de enganche de la cubierta.
3. Afloje la tuerca hexagonal del medio.
4. Enrosque hacia arriba o hacia abajo la tuerca superior para colocar ambas puntas de la cuchilla a la misma altura desde el piso. Recuerde enroscar para abajo para elevar la cubierta y enroscar para arriba para bajar la cubierta.
5. Una vez que la cubierta esté nivelada, enrosque la tuerca del medio para apretar contra la férrula. Asegúrese que el corte sea uniforme y que la palanca se mueva en todas las alturas de corte.

Ajuste del carburador

Las diferencias en combustible, temperatura, altitud o carga puede requerir pequeños ajustes al carburador. El carburador en este motor está equipado con una válvula mezcladora con un limitador que permite hacer algunos ajustes y un tornillo de ajuste de velocidad al vacío. Recuerde que el filtro de aire y su cubierta deben estar unidos al carburador antes de volver a arrancar el motor. Consulte los detalles en la página 60.

NOTA: Los motores, operados a aproximadamente 3000 a 5000 pies sobre el nivel del mar, podrían requerir una espesa de carburador para gran altura. Si su podadora montable se comporta erráticamente, contacte a su centro de servicio Sears para obtener la boquilla correcta.

Para ajustar el carburador, siga estos pasos:

1. Arranque el motor y déjelo en marcha al menos 5 minutos para calentarlo.

- Con el motor en marcha, coloque el control del estrangulador en la posición SLOW (lenta).
- Levante el cofre como se indica anteriormente.
- Quite la cubierta negra del marco de montaje. Vea la Figura 12. Acceda a la palanca del regulador del carburador y al tornillo de velocidad al vacío desde esta abertura.
- Gire la mariposa del carburador contra el tornillo de velocidad al vacío y manténgalo así. Ver Figura 16. Gire el tornillo de velocidad para obtener 1750 RPM, usando un tacómetro para medir.

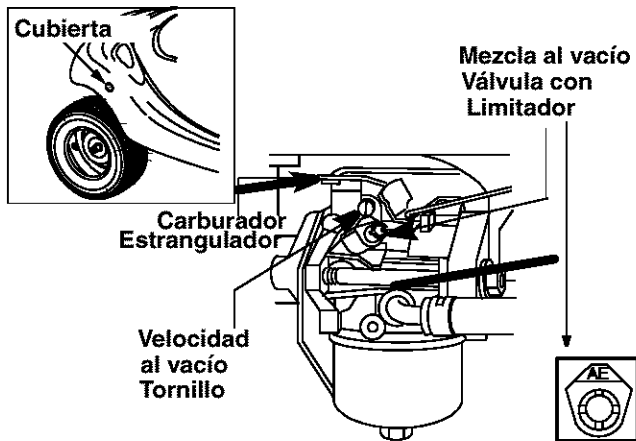


Figura 16

- Gire la válvula de mezcla al vacío completamente en sentido horario y luego en sentido contrario. NO quite los tapones de límite. NO fuerce más allá de los límites.
- Coloque la válvula de la mezcla de vacío a la mitad del recorrido.
- Mueva el control del estrangulador a la posición FAST (rápido). El motor deberá acelerarse suavemente. Si no, ajuste la válvula de mezcla en sentido contrario al reloj, 1/8 de vuelta.
- Vuelva a colocar la cubierta negra sobre el marco de la podadora montable y coloque nuevamente el cofre.

Servicio a la podadora montable

Cambio de fusible

El fusible se localiza junto a la bujía bajo el marco posterior. Los fusibles rara vez fallan sin razón. Si el fusible se quema, debe corregir el problema que lo ocasionó o el nuevo fusible también se quemará.

- Revise si hay conexiones sueltas en el soporte del fusible y reemplace el soporte en caso necesario. Un corto en los circuitos de marcha o de carga en donde el aislamiento puede haberse desgastado y dejar expuesto un cable.
- Reemplace el cable o repare con cinta aislante si no se han dañado los hilos del cable. Busque también un cable prensado entre los paneles de carrocería, quemado por el escape o silenciados, o desgastado por el roce contra una parte en movimiento.
- Detenga completamente la podadora y aplique el freno de mano. Retire la llave del encendido.

- Abra el cofre. Desconecte el cable de la bujía y póngalo de manera que haga masa contra el motor.
- Saque el fusible de la terminal.
- Reemplace con un nuevo fusible automotriz.
- Vuelva a conectar el cable de la bujía antes de cerrar el cofre.

Cambio de banda

Hay dos bandas de transmisión y una banda de la cubierta en esta unidad. Guíese con la descripción a continuación para identificar las bandas.

- La banda de transmisión inferior va de la polea de velocidad variable a la polea de transmisión.
- La banda de transmisión superior va de la polea de velocidad variable a la polea superior del motor.
- La banda de la cubierta va de la polea de la cubierta a la polea inferior del motor.

Revise periódicamente si las bandas están demasiado flojas o dañadas. En este caso, reemplace con una nueva banda.

Banda de la cubierta

- Aplique el freno de mano y apague el motor. Levante el cofre y quite el recolector de césped de la podadora. Retire el cable de la bujía.
- Coloque la cubierta a la mínima altura de corte, ajustando la palanca en la posición más baja.
- Use una llave de 1/2" para retirar los dos tornillos autoroscantes, la arandela de cierre y la tuerca hexagonal que sostiene la cubierta. Vea Figura 17. Para ello, tendrá que trabajar por el lado izquierdo superior de la podadora. Retire la cubierta de la banda.

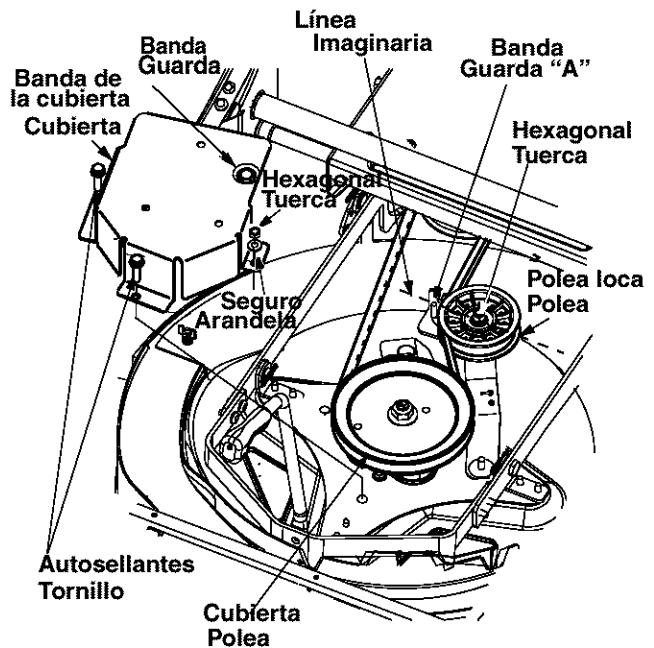


Figura 17

- Use una llave de 9/16" para aflojar la tuerca hexagonal en la polea loca. Ver Figura 17.
- Retire la banda de alrededor de la polea de la cubierta, la polea loca y la polea del motor.

- Coloque la nueva banda alrededor de la polea de la cubierta y la polea del motor asegurándose de que la banda entre en la canal de la banda. Hay dos guardas de la banda bajo el recolector de césped, uno en la polea loca y otro bajo la cubierta de la banda. Ver Figura 17.
- Reinstale la cubierta de la banda y sujétela con dos tornillos autoroscantes, arandela y tuerca hexagonal.
- La guarda "A" de la banda debe montarse en el exterior de la banda.
- Asegúrese de alinear la guarda de la banda con el marco. Ver Figura 18.

NOTA: Una línea imaginaria entre la guarda de la banda y la polea loca deberá ser paralela al marco. Ver Figura 17.

- Vuelva a colocar el recolector de césped y cierre el cofre.

Banda inferior de velocidad variable

- Retire la guarda de la banda de la cubierta trasera siguiendo los cinco primeros pasos para retirar la banda de cubierta. Retire la banda de la polea del motor.

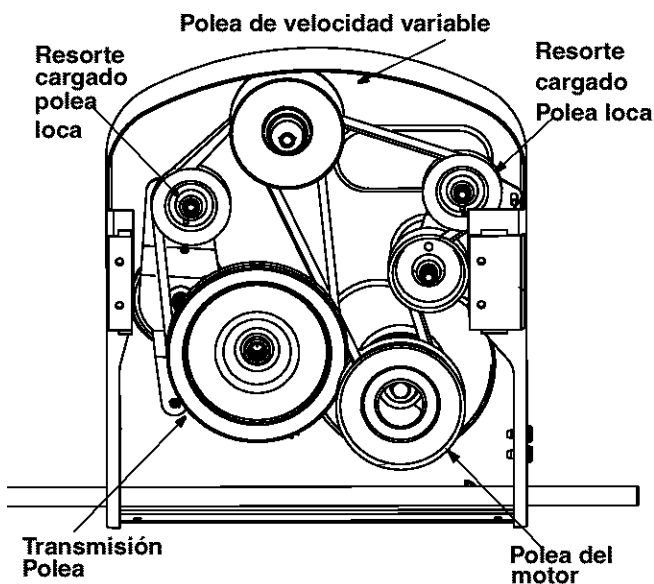


Figura 18

- Empuje el resorte cargado localizado del lado izquierdo de la transmisión, hacia la derecha. Retire la banda de alrededor de la polea loca y la polea de la transmisión. Ver Figura 18.
- Use una llave de 9/16" para retirar el perno, el espaciador y la arandela plana de la polea de velocidad variable.
- Haga descender la polea y quite la banda.
- Coloque una nueva banda y vuelva a armar.

IMPORTANTE: Asegúrese que la banda esté **enrutada al interior de la guarda de la banda**, y que la guarda de la banda quede en el mismo lugar de donde fue quitada.

Banda superior de velocidad variable

- Saque la polea del motor usando una llave de 5/8" con una extensión de 6". La polea del motor se localiza al frente de la transmisión.
- Haga descender la polea del motor y quite la banda de su alrededor.
- Empuje la ménsula a la derecha y saque la banda. Ver Figura 18.
- Coloque una nueva banda y vuelva a armar.

Batería

La batería se localiza debajo del cofre. La terminal positiva de la batería está marcada como pos (+); terminal negativa de la batería está marcada como neg (-).

Manejo seguro

- Proteja los ojos, la piel y la vestimenta cuando manipule ácido de la batería (electrolito) o una batería que contenga ácido.
- Mantenga chispas, llamas, cigarrillos y otras fuentes de ignición alejados. Recuerde que la batería contiene gases explosivos.
- Trabaje en un área con buena ventilación cuando llene (active), cargue y utilice la batería.



ADVERTENCIA: No haga que las terminales de la batería entren en cortocircuito haciendo una conexión entre dos terminales de batería o entre la terminal positiva, marcada con el signo + en la batería, y el marco de la podadora montable. Antes de instalar la batería, quítese las pulseras, correas de reloj de pulsera, anillos, etc.

- Siempre mantenga el capuchón de goma colocado sobre la terminal positiva para prevenir un corto.
- Conecte primero la terminal positiva para prevenir chispas producto de una conexión a masa accidental.
- No utilice la batería de la podadora montable para poner en marcha otros vehículos.



ADVERTENCIA: Los postes de la batería, terminales y accesorios contienen plomo y compuestos de plomo. Lávese las manos después de entrar en contacto con estos componentes.

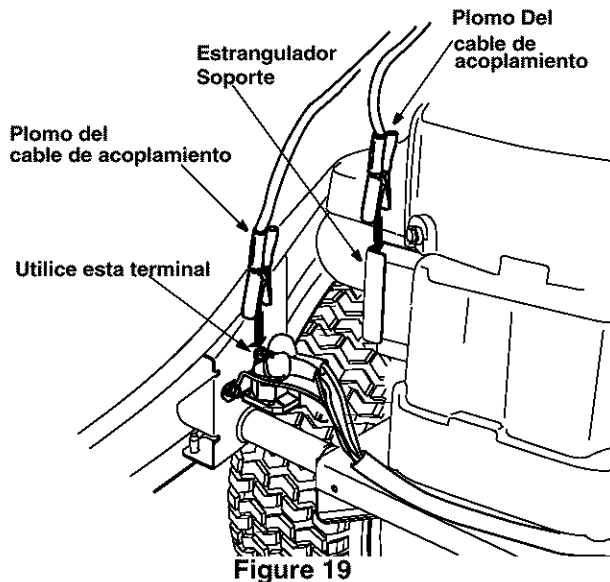
- Siempre mantenga limpios y libres de óxido los cables y terminales de la batería.
- Después de limpiar, aplique una capa de vaselina o grasa a ambas terminales.
- Si quita la batería por cualquier razón, desconecte primero el cable NEGATIVO (negro) de su terminal y a continuación el cable POSITIVO (rojo). Cuando instale la batería, siempre conecte primero el cable POSITIVO (rojo) a su terminal y a continuación el cable NEGATIVO (negro).

IMPORTANTE: Asegúrese de que los cables estén conectados en las terminales correctamente ya que si los cambia se podría invertir la polaridad y provocar un daño al sistema alternador del motor.

Arranque por desviación

NOTA: Esta podadora montable viene equipada con una terminal de carga de batería remota en el solenoide a la derecha del marco y debajo del cofre. Siga las instrucciones a continuación para usar esta terminal. No arranque por desviación (paso de corriente) directamente en la batería.

1. Saque el capuchón de la terminal más adelantada conectada al solenoide. Vea la Figure 19.
2. Conecte el cable positivo (+) del cable de acoplamiento a esta terminal. Vea la Figure 19.



3. Conecte el otro extremo del cable de acoplamiento positivo (+) a la terminal positiva (+) de la batería buena.
4. Conecte un extremo del cable de acoplamiento negativo (-) a la terminal negativa (-) de la batería buena.
5. Conecte el otro extremo del cable negativo (-) al soporte del regulador. Vea la Figure 19.
6. Arranque el tractor y déjelo funcionando para cargar la batería.
7. Desconecte el cable de acoplamiento negativo (-) del tractor.
8. Desconecte el otro extremo del cable de acoplamiento negativo (-) de la terminal negativa (-) de la batería buena.
9. Desconecte el cable de acoplamiento positivo (+) de la terminal positiva (+) de la batería buena.
10. Desconecte el otro extremo del cable de acoplamiento positivo (+) del solenoide.
11. Vuelva a colocar el capuchón sobre la terminal más adelantada desde donde lo sacó en el Paso 1. Vea la Figure 19.

Carga de la batería

Si la batería es nueva o si la podadora montable ha estado almacenada durante un período prolongado de tiempo, cargue la batería durante una hora con un cargador de baterías (salida 6 amperes) antes de utilizar su podadora montable.

IMPORTANTE: Si no está disponible un cargador con una salida de 6 amperes, utilice un cargador con una salida inferior para un período de carga más prolongado. Sin embargo, no use un cargador con una salida superior a los 6 amperes. Si no se consigue un cargador, pero la batería puede arrancar la podadora montable, haga que la podadora funcione por un período mínimo de una hora para cargar la batería con el sistema de carga del motor.

NOTA: Utilice la terminal de carga de batería remota en el solenoide para cargar la batería. No cargue directamente en la batería. Lea las instrucciones de la operación segura en cargador de batería antes de comenzar este trabajo.

1. Saque el capuchón de la terminal más adelantada conectada al solenoide. Vea la Figure 19.
2. Conecte el cable positivo (+) del cable del cargador a esta terminal. Vea la Figure 19.
3. Conecte el cable negativo (-) del cable del cargador al soporte del regulador.
4. Gire el cargador de batería. Cargue la batería hasta que el indicador en el cargador muestre que la batería se ha cargado por completo.
5. Dé vuelta al cargador de batería apagado. Desconecte el cable del cargador negativo (-) del soporte del regulador
6. Desconecte el cable del cargador positivo (+) de la terminal de solenoide.
7. Vuelva a colocar el capuchón sobre la terminal más adelantada (desde donde lo sacó en el Paso 1). Vea la Figure 19.

Reemplazo de la batería

Para retirar la batería

1. Asegúrese que la podadora montable esté detenida completamente. Levante el cofre para acceder a la batería.
2. Retire las tuercas mariposa asegurando las varillas de la batería a la cubierta de la batería.
3. Tire la cubierta de la batería hacia arriba y manténgala alejada.
4. Afloje el tornillo en la terminal negativa y retire el cable. Repita en la otra terminal.
5. Retire la batería.

Instalación de los cables de la batería

1. Retire la tuerca mariposa sobre el rodillo de la batería en cada extremo de la cubierta de la batería. Vea la Figura 20.

2. Retire la cubierta de la batería para acceder a las terminales.
3. Tire el capuchón hacia arriba y retire el tornillo de la terminal (positiva) con una llave.
4. Conecte el cable rojo de la batería a la terminal positiva y ajústelo bien. Vea la Figura 20.
5. Saque el tornillo de la terminal (negativa) con una llave.
6. Conecte el cable negro de la batería a esta terminal negativa en la batería y ajústelo bien. Vea la Figura 20.

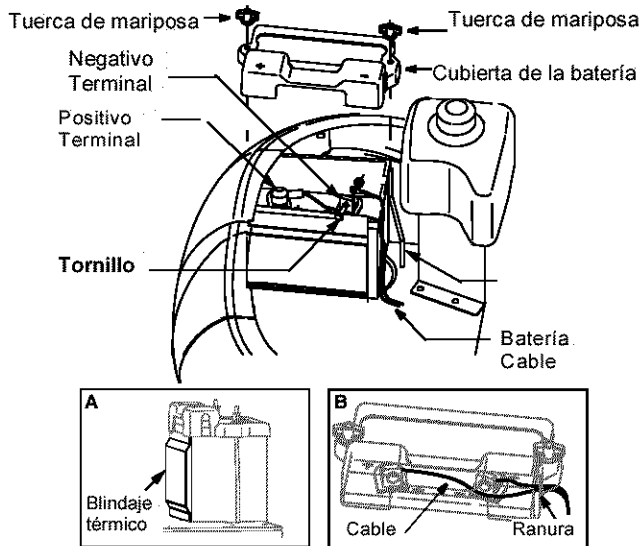


Figura 20



ADVERTENCIA: Tenga cuidado de no hacer contacto con ninguna parte metálica adyacente o corto a través de las terminales.

7. Vuelva a colocar la cubierta de la batería sobre la parte superior de la batería, asegurándose que pase sobre la brida del blindaje térmico cercano. Vea recuadro A en la Figura 16. Guarde todos los cables de la batería debajo de la cubierta de la batería. Vea recuadro B en la Figura 16. Revise para asegurarse de que los cables pasan fácilmente por las ranuras en la cubierta de la batería.
8. Vuelva a colocar las tuercas mariposa en las varillas de la batería y asegure.
9. Coloque la mano derecha del lado izquierdo del asiento y baje lentamente el cofre hasta cerrarlo completamente.

Filtro de gasolina



ADVERTENCIA: Drene el tanque de combustible o cierre la válvula de paso de combustible antes de cambiar el filtro de gasolina. De otro modo el combustible podría derramarse produciendo un riesgo de incendio o explosión.

Su unidad está equipada con un filtro de combustible en línea. Afloje las abrazaderas y reemplace el filtro siempre que note contaminación o decoloración. Ver Figura 21. Ordene un filtro de reemplazo en el centro de servicio Sears.

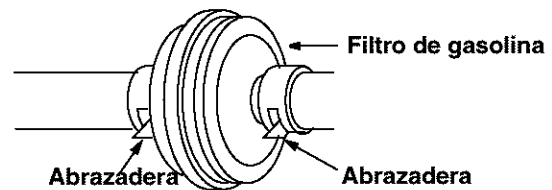


Figura 21

ALMACENAMIENTO FUERA DE TEMPORADA

Si va a dejar de utilizar la máquina por un período mayor a 30 días, prepare para almacenarla como sigue:

Batería

1. Cargue completamente la batería. La batería pierde algo de su carga cada día cuando no se usa la unidad. NUNCA almacene la batería sin carga completa. Recargue la batería antes de regresar la unidad a servicio o cada dos meses, lo que ocurra primero.
2. Cuando guarde la unidad por períodos más prolongados, desconecte los cables de la batería y saque la batería de la unidad.
3. Limpie perfectamente el cilindro, cabezal, ventilador, filtro giratorio y escape.

Motor

Los motores, almacenados más de 30 días, requieren atención especial para evitar que se forme goma en el sistema de combustible o en el carburador.

1. Si el tanque de combustible contiene gasolina oxigenada o reformulada, esto es gasolina mezclada con alcohol o eter, ponga en marcha el motor hasta que se quede sin combustible.
2. Si el tanque contiene gasolina, ponga el motor en marcha hasta que se quede sin combustible o agregue un aditivo a la gasolina. Si usa un aditivo, deje el motor en marcha por varios minutos para

hacer circular el aditivo por el carburador.

3. Cambie el aceite con el motor todavía caliente.
4. Retire la bujía y vacíe cerca de una onza de aceite para motor limpio en el cilindro. Vuelva a colocar la bujía y de marcha al motor lentamente para distribuir el aceite.
5. Limpie el motor de residuos, grasa o recortes de césped.
6. Guarde el motor y la podadora en un área limpia y seca, lejos de fuentes de calor como estufas, hornos, calentadores de agua o aparatos similares que usen piloto u otro mecanismo de producción de chispa.

Podadora montable

1. Limpie perfectamente el motor y toda la unidad.
2. Lubrique todas las juntas. Limpie toda la máquina con un trapo mojado en aceite para proteger las superficies.
3. Almacene la unidad en una zona limpia y seca. No la almacene cerca de materiales corrosivos como por ejemplo fertilizantes.
4. Cuando almacene cualquier tipo de equipo eléctrico en un galpón de depósito metálico o con poca ventilación, tenga especial cuidado de realizarle un tratamiento anti-oxidante al equipo. Use aceite ligero o silicón para recubrir el equipo, especialmente los cables y partes móviles.

SOLUCIÓN DE PROBLEMAS

Problema	Causa(s) posibles	Remedio
Demasiada vibración	<ol style="list-style-type: none"> 1. Cuchilla doblada o dañada 2. Cuchilla abollada 	<ol style="list-style-type: none"> 1. Detenga el motor inmediatamente. Revise todas las poleas, adaptadores de cuchilla, llaves y pernos que estén bien ajustados y daño al mecanismo de engranaje. Repare o reemplace las piezas dañadas. 2. Detenga el motor inmediatamente. Reemplace la cuchilla dañada. Use solamente cuchillas originales.
La podadora no descarga recortes o deja tiras de césped sin recortar	<ol style="list-style-type: none"> 1. La velocidad del motor es lenta. 2. Selección de velocidad 3. La altura de corte es muy baja. 4. Las cuchillas son muy cortas o no tienen filo. 	<ol style="list-style-type: none"> 1. Debe ajustarse la aceleración al máximo. 2. Use una velocidad de piso más baja. Reduzca la velocidad de piso, para mejorar la calidad del corte. 3. Levante la cubierta 4. Afile o cambie las cuchillas (solo problema de partes sin recortar).

Problema	Causa(s) posibles	Remedio
Bandas rotas	<ol style="list-style-type: none"> 1. Paro repentino o carga a la banda 2. Uso de banda incorrecta 3. La banda se enganchó abruptamente 4. Banda defectuosa o dañada 	<ol style="list-style-type: none"> 1. Inspeccione la montura en busca de causas como objetos extraños entre la cubierta y la trayectoria de la banda. Retire la obstrucción y revise si hay daños. Coloque una nueva banda si es necesario. 2. Reemplace con una banda apropiada. Busque el número de parte correcto en la lista de partes en este manual. 3. Enganche lentamente la banda presionando suavemente el pedal de embrague de la cuchilla. 4. Reemplace con una banda apropiada.
La banda se sale	<ol style="list-style-type: none"> 1. La banda está demasiado floja, vuelva a tensarla 2. Resorte de la polea roto o débil 	<ol style="list-style-type: none"> 1. Reajuste la banda. Reemplace cuando sea necesario. Siga las instrucciones para cambiarla en la página 65. 2. Reemplace. Ordene con el número de parte correcto en la Lista de Partes de este manual.
La banda se destroza	<ol style="list-style-type: none"> 1. Las guías o guardas de la banda están ajustadas incorrectamente 2. Las poleas no están alineadas 3. La polea está oxidada o en malas condiciones, rodamiento congelado 	<ol style="list-style-type: none"> 1. Ajuste las guías y guardas de modo que queden aproximadamente 1/16 a 1/8 de pulgada de la banda cuando está enganchada. 2. Vuelva a alinear las poleas para que queden a 1/16 de pulgada una de otra. Verifique contra un borde recto. Asegúrese que el herraje de sujeción esté apretado. 3. Cambie las poleas. Ordene con el número de parte correcto en la Lista de Partes de este manual. Ajuste las nuevas poleas a 1/16".
El motor no da marcha	<ol style="list-style-type: none"> 1. El botón de seguridad no está presionado 2. La batería no está correctamente instalada 3. La batería está muerta o descargada 4. Fusible quemado o disyuntor de circuito abierto 5. Cable de masa del motor suelto 	<ol style="list-style-type: none"> 1. Hay dos interruptores en el circuito de arranque de su unidad. Asegúrese que el actuador esté presionando ambos interruptores. El pedal de freno debe estar presionado y el pedal de enganche de la cuchilla no debe estar enganchado. 2. Instale la batería con la terminal negativa en el cable negro. Coloque la terminal positiva en el cable rojo que va al solenoide. Cargue completamente la batería antes de instalarla. 3. Revise el nivel de líquido de la batería. Si el nivel está bajo, rellene justo abajo de los anillos con agua destilada. Cargue completamente con un cargador de 6 amperes. Si esto no funciona, cambie la batería. 4. Cambie el fusible de acuerdo a las instrucciones que aparecen en la página 65. 5. Asegurese que el cable negro de tierra va desde el motor al marco o perno de montaje.

Problema	Causa(s) posibles	Remedio
El motor da marcha pero no arranca	<ol style="list-style-type: none"> 1. La palanca de control del regulador no está en la posición de arranque correcta. 2. No hay combustible en el carburador 3. La línea de combustible o el filtro de combustible están tapados 4. No hay chispa a la bujía 5. La bujía no funciona correctamente 6. El depurador de aire está sucio. 	<ol style="list-style-type: none"> 1. Revise la posición correcta del control de ahogamiento para el arranque en el manual del propietario. 2. Tanque de gasolina vacío. Rellene con gasolina. 3. Retire y limpie la línea de combustible. Reemplace el filtro cuando sea necesario. 4. Se ha desconectado el cable de la bujía. Conecte la terminal. Mantenga la terminal de la bujía alejada del bloque del motor aproximadamente 1/8". De marcha al motor. Debe poder ver una chispa. Si no, haga que reparen el motor en un centro de servicio autorizado. 5. Para probar, quite la batería. Conecte el cable de la bujía a la misma. Coloque el cuerpo de la bujía de manera que haga masa contra el bloque del motor. De marcha al motor. La bujía debe encender en el electrodo. Reemplace si no lo hace. 6. Si el filtro de aire está sucio, el motor podría no arrancar. Limpie o cambie el depurador de aire.
El motor saca humo	<ol style="list-style-type: none"> 1. Exceso de aceite en el motor 2. La varilla del aceite no está bien asentada o está rota 	<ol style="list-style-type: none"> 1. Revise el nivel de aceite 2. Reemplace las partes defectuosas.

NOTA: Para otras reparaciones, contacte al centro de servicio Sears o llame a la línea de ayuda de Craftsman al 1-800-659-5917.

Get it fixed, at your home or ours!

Your Home

For repair – **in your home** – of **all** major brand appliances, lawn and garden equipment, or heating and cooling systems, **no matter who made it, no matter who sold it!**

For the replacement parts, accessories and owner's manuals that you need to do-it-yourself.

For Sears professional installation of home appliances and items like garage door openers and water heaters.

1-800-4-MY-HOME® (1-800-469-4663)

Call anytime, day or night (U.S.A. and Canada)

www.sears.com www.sears.ca

Our Home

For repair of carry-in items like vacuums, lawn equipment, and electronics, call or go on-line for the location of your nearest **Sears Parts & Repair Center.**

1-800-488-1222

Call anytime, day or night (U.S.A. only)

www.sears.com

To purchase a protection agreement (U.S.A.) or maintenance agreement (Canada) on a product serviced by Sears:

1-800-827-6655 (U.S.A.)

1-800-361-6665 (Canada)

Para pedir servicio de reparación a domicilio, y para ordenar piezas:

1-888-SU-HOGARSM
(1-888-784-6427)

Au Canada pour service en français:

1-800-LE-FOYER^{MC}
(1-800-533-6937)
www.sears.ca

SEARS

Free Manuals Download Website

<http://myh66.com>

<http://usermanuals.us>

<http://www.somanuals.com>

<http://www.4manuals.cc>

<http://www.manual-lib.com>

<http://www.404manual.com>

<http://www.luxmanual.com>

<http://aubethermostatmanual.com>

Golf course search by state

<http://golfingnear.com>

Email search by domain

<http://emailbydomain.com>

Auto manuals search

<http://auto.somanuals.com>

TV manuals search

<http://tv.somanuals.com>