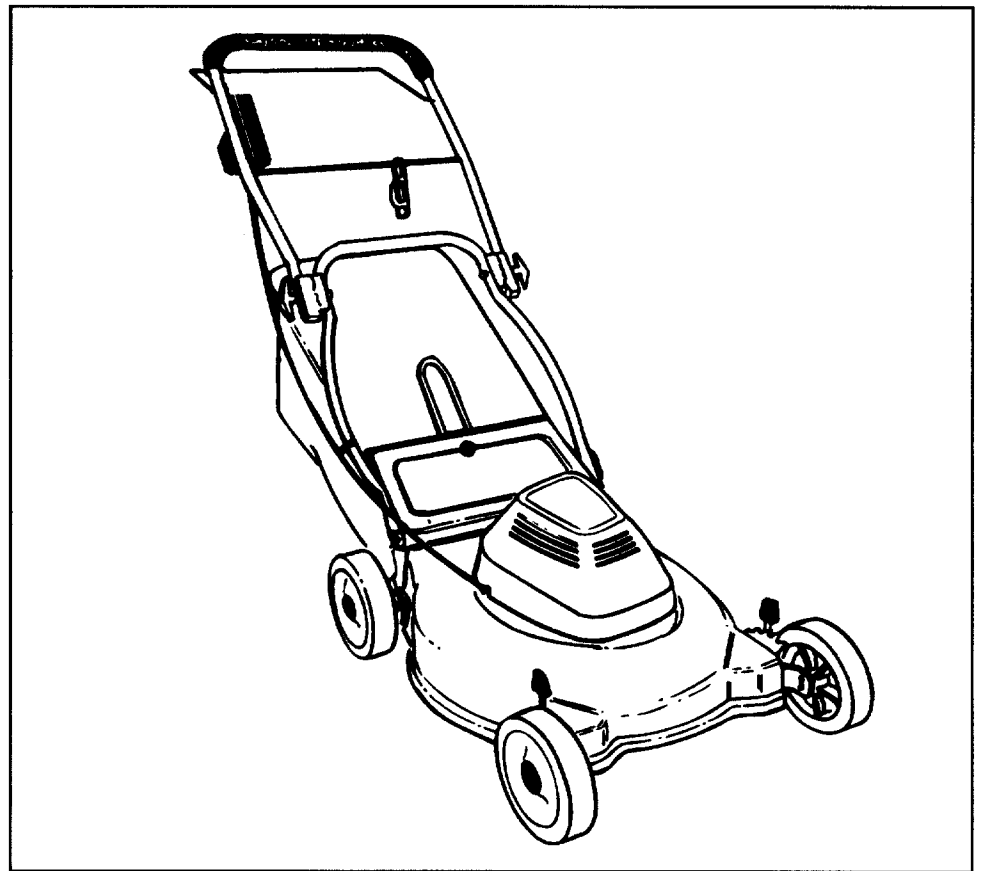


SEARS

**OWNER'S
MANUAL**

**MODEL NO.
247.370252**

**Caution:
Read and Follow
All Safety Rules
and Instructions
Before Operating
This Equipment**



CRAFTSMAN®

**110V 12AMP ELECTRIC
DOUBLE INSULATED
19" REAR DISCHARGE
MULCHING LAWN MOWER**

**Assembly
Operation
Customer Responsibilities
Service and Adjustment
Repair Parts**

This symbol on the products nameplate
means it is listed by
UNDERWRITERS LABORATORIES INC.




SEARS, ROEBUCK AND CO., Hoffman Estates, IL 60179 U.S.A.

FORM NO. 770-0253L

IMPORTANT

SAFE OPERATION PRACTICES



THIS SYMBOL POINTS OUT IMPORTANT SAFETY INSTRUCTIONS WHICH, IF NOT FOLLOWED, COULD ENDANGER THE PERSONAL SAFETY AND/OR PROPERTY OF YOURSELF AND OTHERS. READ AND FOLLOW ALL INSTRUCTIONS IN THIS MANUAL BEFORE ATTEMPTING TO OPERATE YOUR ELECTRIC LAWN MOWER. FAILURE TO COMPLY WITH THESE INSTRUCTIONS MAY RESULT IN PERSONAL INJURY. WHEN YOU SEE THIS SYMBOL —  **HEED ITS WARNING.**



DANGER: Your electric lawn mower was built to be operated according to the rules for safe operation in this manual. As with any type of power equipment, carelessness or error on the part of the operator can result in serious injury. If you violate any of these rules, you may cause serious injury to yourself or others.



WARNING: When using electric lawn mowers, basic safety precautions should always be followed to reduce the risk of fire, electric shock, and personal injury, including the following:

TRAINING

- Read all instructions carefully in their entirety before attempting to assemble or operate this machine. Be completely familiar with the controls and the proper use of this machine before operating it. Keep this manual in a safe place for future and regular reference and for ordering replacement parts.
- Your rotary mower is a precision piece of power equipment, not a plaything. Therefore, exercise extreme caution at all times.
- Use Right Appliance—Do not use lawn mower for any job except that for which it is intended.
- Never allow children to operate a power mower. Only persons well acquainted with these rules of safe operation should be allowed to use your mower.
- No one should operate this unit while intoxicated or while taking medication that impairs the senses or reactions.
- Stay Alert—Watch what you are doing. Use common sense. Do not operate lawn mower when you are tired.
- Keep the area of operation clear of all persons, particularly small children and pets. Stop motor when they are in the vicinity of your mower. Although the area of operation should be completely cleared of foreign objects, an object may have been overlooked and could be accidentally thrown by the mower in any direction and cause serious personal injury to the operator or any others allowed in the area.

PREPARATION

- Thoroughly inspect the area where the equipment is to be used. Remove all stones, sticks, wire, bones and other foreign objects which could be picked up and thrown by the mower in any direction and cause serious personal injury to the operator or any others allowed in the area.
- Always wear safety glasses or eye shields during operation or while performing an adjustment or repair, to protect eyes from foreign objects that may be thrown from the machine in any direction. Always use face or dust mask if operation is dusty.
- Dress properly. Wear sturdy, rough-soled work shoes. Never operate a unit in barefeet, sandals or sneakers. Do not wear loose clothing or jewelry. They can be caught in moving parts. Use of rubber gloves and footwear is recommended when working outdoors.
- Never attempt to make a wheel or cutting height adjustment while the motor is running.
- Mow only in daylight or in good artificial light.
- Avoid Dangerous Environment—Never operate the equipment in the rain or in damp wet locations. Always be sure of your footing. A slip and fall can cause serious personal injury. Keep a firm hold on the handle and walk, never run. Do not over-reach—keep footing and balance at all times.
- Warning—To prevent electric shock use only with a UL Listed extension cord set suitable for outdoor use, such as Type SW-A, STW-A, STOW-A, SJW-A, SJOW-A, SJTW-A, or SJTOW-A.
- Extension Cord—Make sure your extension cord set is in good condition, is heavy enough to carry the current your mower will draw, and is polarized (one blade of plug is wider than the other). A 100' length of 14 AWG extension cord should be used. An acceptable substitute is a 50' length of 16 AWG cord. In applications where a longer cord is needed, a 150' length of 12 AWG cord may be used. An undersized cord will cause a drop in line voltage resulting in loss of power and overheating. To reduce the likelihood of disconnection of the extension cord set from the lawn mower, be sure to use the cord restraint provided or make a knot as shown in the illustration in next column.

Extension Cord Appliance Cord



OPERATION

- To reduce the risk of electric shock, your mower is equipped with a polarized plug (one blade of plug is wider than the other). If the outlet on the end of your extension cord does not fit fully into the plug on your mower, reverse the outlet and try plugging it in again. The same is true for the end of the extension cord you plug into your house outlet. If after reversing the connections, either one still does not fit, contact a qualified electrician to install the proper outlet and/or plug. Do not change the plug on the mower in any way.
- Inspect extension cord periodically and replace if damaged. Keep handles dry, clean, and free from oil and grease.
- Fuses—The mower should be operated on a 15 or 20 AMP circuit. If difficulty in starting is experienced with a standard 15 AMP fuse or circuit breaker, contact your nearest authorized service location. Do not use a higher rated fuse without consulting your power company.
- Ground Fault Circuit Interrupter (GFCI) protection should be provided on the circuit(s) or outlet(s) to be used for the lawn mower. Receptacles are available having built-in GFCI protection and may be used for this measure of safety.
- For your safety, use the slope gauge included as part of this manual to measure slopes before operating this unit on a sloped or hilly area. If the slope is greater than 15° as shown on the slope gauge, do not operate this unit on that area or serious injury could result.
- Do not abuse cord—never pull lawn mower by cord or yank it to disconnect from receptacle. Keep cord from heat, oil, and sharp edges.
- If extension cord is damaged in any manner while plugged in, disconnect extension cord from house receptacle.
- Do not put hands or feet near or under rotating parts. Keep clear of the discharge opening at all times as the rotating blade can cause injury.
- Stop the motor when you leave the mower and before crossing gravel drives, walks or roads.
- After striking a foreign object, shut off the motor, make absolutely sure the blade and all moving parts have completely stopped, disconnect the power cord to prevent accidental starting, then thoroughly inspect the mower for any damage. Such damage must be repaired before restarting and operating the mower.
- If the equipment should start to vibrate abnormally, stop the motor and check immediately for the cause. Vibration is generally a warning of trouble.
- Stop the motor, unplug the power cord, and wait for the blade and all moving parts to stop before cleaning or unclogging, repairing or inspecting the mower. The cutting blade continues to rotate for a few seconds after the motor is shut off.
- Do not force lawn mower. It will do the job better and safer at the rate for which it was designed. Use right appliance—Do not use lawn mower for any job except that for which it is intended.
- Mow across the face of slopes, never up-and-down. Never cut grass by pulling mower toward you. Exercise extreme caution when operating mower on uneven terrain or changing direction on slopes. Do not mow excessively steep slopes. Don't overreach—Keep proper footing and balance at all times. A slip and fall can cause serious personal injury.
- Never operate mower without proper guards, plates or other safety protective devices in place and in working order.

SAFE OPERATION PRACTICES (Continued)

- **The blade/motor control on this mower is installed to minimize the risk of blade contact injury and is required by federal regulations. Do not under any circumstances attempt to defeat the function of the blade/motor control.**
- To avoid electric shock hazard, never push mower over cord. Do not mow around the lawn in circles. Always travel back and forth across the lawn, beginning at the point nearest the electric outlet to which the extension cord is connected. This will keep the cord on the mowed area of the lawn and out of the way.
- Do not operate mower after it has been dropped or damaged in any manner. Return mower to nearest authorized service location.
- The use of accessory attachments not recommended by the mower manufacturer may cause hazards.
- Do not operate this mower with the chute door open, unless the complete grass catcher or side chute deflector is properly mounted on the mower.



MAINTENANCE AND STORAGE

- **Warning**—Disconnect power cord from electrical outlet before performing any maintenance or service on mower.
- Check the blade and motor mounting bolts at frequent intervals for proper tightness. Keep all nuts, bolts, and screws tight to be sure the equipment is in safe working condition.
- Keep blade sharp.
- Use identical replacement blades only. Replace damaged cord.
- To reduce fire hazard, keep the motor free of grass, leaves, or excessive grease.



DOUBLE INSULATED LAWN MOWER

DOUBLE INSULATION IS A CONCEPT IN SAFETY IN ELECTRIC LAWN MOWERS, WHICH ELIMINATES THE NEED FOR THE USUAL THREE WIRE GROUNDED POWER CORD AND GROUNDED SUPPLY SYSTEM. WHEREVER THERE IS ELECTRIC CURRENT IN THE MOWER, THERE ARE TWO COMPLETE SETS OF INSULATION TO PROTECT THE USER. ALL EXPOSED METAL PARTS ARE ISOLATED FROM THE INTERNAL METAL MOTOR COMPONENTS WITH PROTECTING INSULATION.

IMPORTANT—SERVICING OF A LAWN MOWER WITH DOUBLE INSULATION REQUIRES EXTREME CARE AND KNOWLEDGE OF THE SYSTEM AND SHOULD BE PERFORMED ONLY BY A QUALIFIED SERVICE TECHNICIAN. FOR SERVICE WE SUGGEST YOU RETURN THE LAWN MOWER TO YOUR NEAREST AUTHORIZED SERVICE DEALER FOR REPAIR. ALWAYS USE ORIGINAL FACTORY REPLACEMENT PARTS WHEN SERVICING.

SAVE THESE INSTRUCTIONS

CONGRATULATIONS on your purchase of a Sears Craftsman Lawn Mower. It has been designed, engineered and manufactured to give you the best possible dependability and performance.

Should you experience any problem you cannot easily remedy, please return the lawn mower to the nearest Sears Service Center/Department in the United States. We have competent, well-trained technicians and the proper tools to service or repair this unit.

Please read and retain this manual. The instructions will enable you to assemble and maintain your lawn mower properly. Always observe the "SAFETY RULES."

PRODUCT SPECIFICATIONS

Voltage:	110 - 120 AC
Amperage:	12
Hz:	60
Blade Bolt Torque:	450-600 in. lbs.

MODEL NUMBER	251.370252
SERIAL NUMBER	_____
DATE OF PURCHASE	_____
THE MODEL AND SERIAL NUMBERS WILL BE FOUND ON A LABEL ATTACHED TO THE DECK, NEAR THE RIGHT REAR WHEEL.	
YOU SHOULD RECORD BOTH SERIAL NUMBER AND DATE OF PURCHASE AND KEEP IN A SAFE PLACE FOR FUTURE REFERENCE.	

MAINTENANCE AGREEMENT

A Sears Maintenance Agreement is available on this product. Contact your nearest Sears store for details.

CUSTOMER RESPONSIBILITIES

- Read and observe the safety rules.
- Follow a regular schedule in maintaining, caring for and using your lawn mower.
- Follow the instructions under "Customer Responsibilities" (page 10) and "Storage" sections of this Owner's Manual.

FULL ONE YEAR WARRANTY ON CRAFTSMAN LAWN MOWER

For one year from the date of purchase, when this Craftsman lawn mower is maintained, lubricated, and tuned up according to the operating and maintenance instructions in the operator's manual, Sears will repair, free of charge, any defect in material or workmanship.

This warranty excludes the mower blades and blade adapters, which are expendable parts and become worn during normal use.

If this lawn mower is used for commercial or rental purposes, this warranty applies for only 30 days from the date of purchase.

WARRANTY SERVICE IS AVAILABLE BY CONTACTING THE NEAREST SEARS SERVICE CENTER IN THE UNITED STATES. THIS WARRANTY APPLIES ONLY WHILE THIS PRODUCT IS IN USE IN THE UNITED STATES.

This warranty gives you specific legal rights and you may also have other rights which vary from state to state.

SEARS ROEBUCK AND CO., DEPT. 817WA, HOFFMAN ESTATES, IL 60179

TABLE OF CONTENTS

SAFETY RULES.....	2	CUSTOMER RESPONSIBILITIES	10-12
PRODUCT SPECIFICATIONS	4	SERVICE AND ADJUSTMENTS.....	12
CUSTOMER RESPONSIBILITIES	4	STORAGE	12
WARRANTY	4	TROUBLE SHOOTING.....	13
INDEX.....	5	PARTS ORDERING/SERVICE	13
MOWER ACCESSORIES.....	5	REPAIR PARTS	14, 15
ASSEMBLY	6, 7	SLOPE GAUGE	16
OPERATION	7-10		

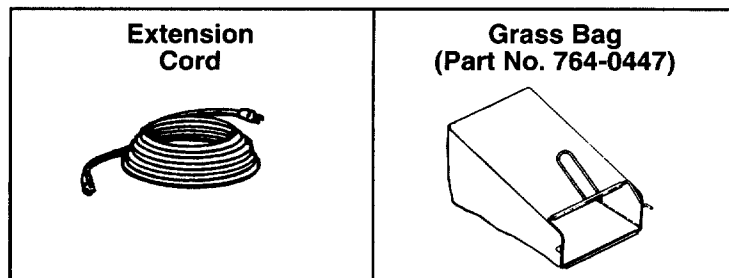
INDEX

A		H		S	
Adjustments:		Handle Storage	12	Safety Rules.....	2, 3
Cutting Height	9			Service and Adjustments:	
Handle Height	6	L		Cutting Height	9
Assembly:		Lubrication:		Rear Trail Shield	12
Handle.....	6	Motor	11	Service Recommendations	10
Grass Catcher	6, 7	Wheels	11	Specifications	4
		Wheel Adjusters	11	Starting the Motor/Blade	8
B		M		Stopping the Motor/Blade.....	8
Blade:		Maintenance:		Storage.....	12
Balancing	11	Agreement.....	4		
Replacement.....	11	Blade Care/Replacement	11	T	
Sharpening.....	11	Cleaning.....	12	Table of Contents.....	5
		Lubrication.....	11	Trouble Shooting Guide	13
C		O		W	
Circuit Breaker	8, 11	Operating Mower	7-10	Warranty.....	4
Cleaning	12			Wheels:	
Controls:		R		Adjusting Height.....	9
Motor/Blade Control	8	Repair/Replacement Parts	14, 15	Lubrication.....	11
Cord Restraint.....	9	Responsibilities, Customer	3, 10-12		
Customer Responsibilities	3, 10-12				
Cutting Heights.....	9				
E					
Extension Cord.....	2, 9, 10				

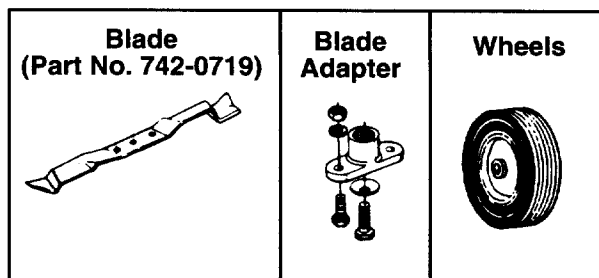
MOWER ACCESSORIES

These accessories were available when the mower was purchased. They are also available at most Sears retail outlets, catalog and service centers. Most Sears stores can order repair parts for you, when you provide the model number of your mower.

MOWER PERFORMANCE



MOWER MAINTENANCE



ASSEMBLY

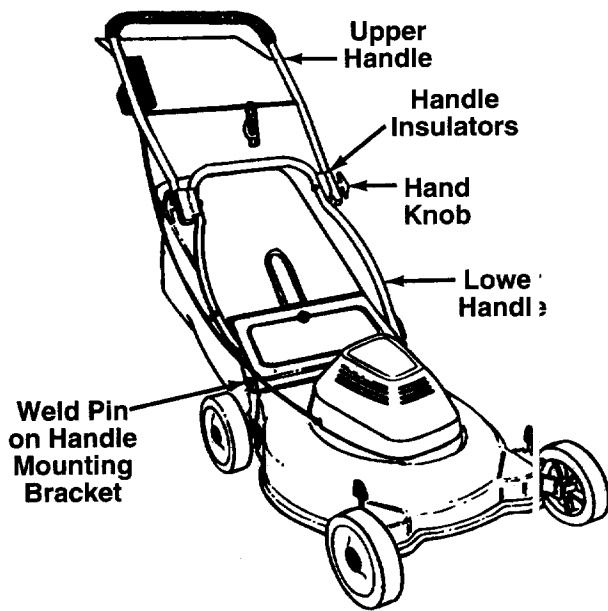


FIGURE 1.

TO REMOVE MOWER FROM CARTON

Remove the carton inserts (if any). Lift the mower from the carton, or cut the corners of the carton and roll the mower out. Make certain all parts and literature have been removed from the carton before the carton is discarded.

HOW TO SET-UP YOUR MOWER

- Remove any cardboard pieces which may be between the upper and lower handles for shipping purposes.
- Pull up and back on the lower handle. Pivot the upper handle up to raise the handle into the operating position. See figure 1.
- The upper handle may be adjusted to three different height positions. To select desired position, align one of the three marks on the top of the lower handle insulators with the mark on the upper handle insulators. Tighten the hand knobs.
- Remove the hairpin clips from the outer hole in the weld pins on the handle mounting brackets. Place the hairpin clips in the inner hole.

NOTE: The outer hole in the weld pin is for storage. The hairpin clip must be placed in the inner hole for operation.

IMPORTANT: YOUR MOWER IS SHIPPED WITH THE MULCHING BAFFLE IN PLACE. THE MULCHING BAFFLE ALLOWS THE BLADE TO CUT AND RE-CUT THE GRASS CLIPPINGS INTO SMALL PARTICLES, RETURNING THEM TO YOUR LAWN AS NUTRIENTS FOR THE SOIL.

IF YOU WISH TO BAG INSTEAD OF MULCH THE CLIPPINGS, SIMPLY LIFT THE REAR DISCHARGE DOOR, AND REMOVE THE MULCHING BAFFLE FROM THE REAR OF THE DECK BY PULLING OUTWARD ON THE BAFFLE. THEN ASSEMBLE AND ATTACH GRASS CATCHER AS FOLLOWS.

ASSEMBLING THE GRASS CATCHER

NOTE: Make certain the grass bag is turned right side out before assembling (warning label will be on the outside).

- Join the rear frame and front frame assembly as shown in figure 2A. Push frames together as far as they will go.

- Place bag over frame (black plastic side is the bottom of bag) so the handle is outside the bag. Slip openings in the side of the plastic channel on bag over the hooks on the grass catcher frame.

NOTE: It may be necessary to pull the edge of the fabric away from the plastic channel in order to see the opening.

- Secure bag to frame by working the plastic channels on bag over frame as shown in figure 2B. All of the plastic channels except center top of bag attach from the outside of bag. Center top of bag attaches from the inside of bag.

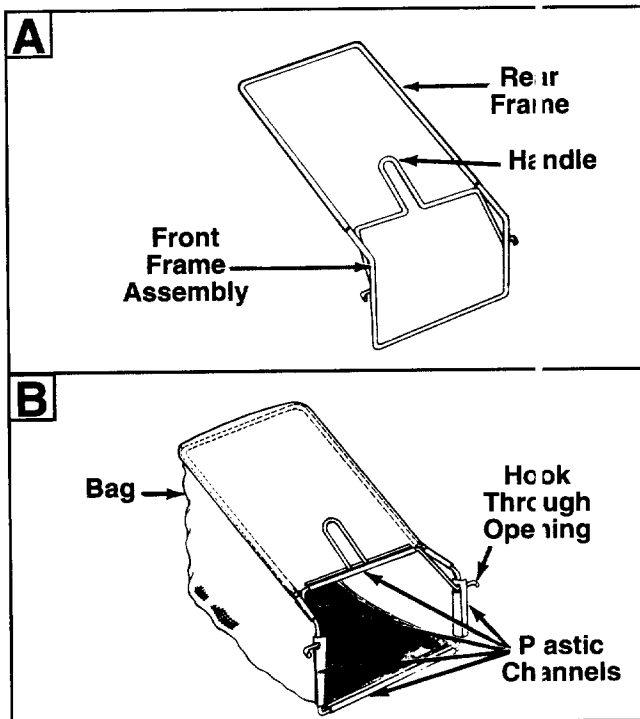


FIGURE 2.

ASSEMBLY

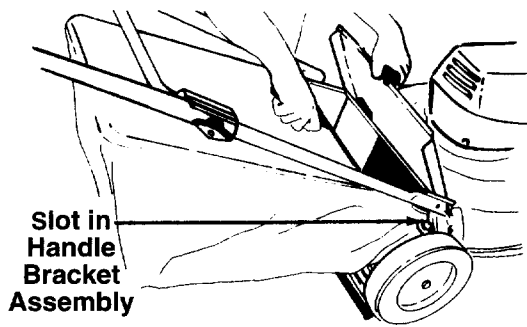


FIGURE 3.

ATTACHING GRASS CATCHER TO MOWER

Lift the rear discharge door on the mower. Make certain the mulching baffle has been removed. Place the hooks on the grass catcher into the slots in the handle bracket assemblies. See figure 3. Release the rear discharge door.

To remove the grass catcher, lift the rear discharge door on the mower. Lift the grass catcher up, out of the slots in the handle bracket assemblies. Release the rear discharge door.



WARNING: NEVER OPERATE MOWER UNLESS HOOKS ON GRASS CATCHER ARE SEATED IN SLOTS ON HANDLE BRACKET ASSEMBLIES, AND REAR DISCHARGE DOOR RESTS FIRMLY AGAINST TOP OF GRASS CATCHER.

OPERATION

KNOW YOUR LAWN MOWER

READ THIS OWNER'S MANUAL AND SAFETY RULES BEFORE OPERATING YOUR LAWN MOWER. Compare the illustrations with your lawn mower to familiarize yourself with the location of various controls and adjustments. Save this manual for future reference.

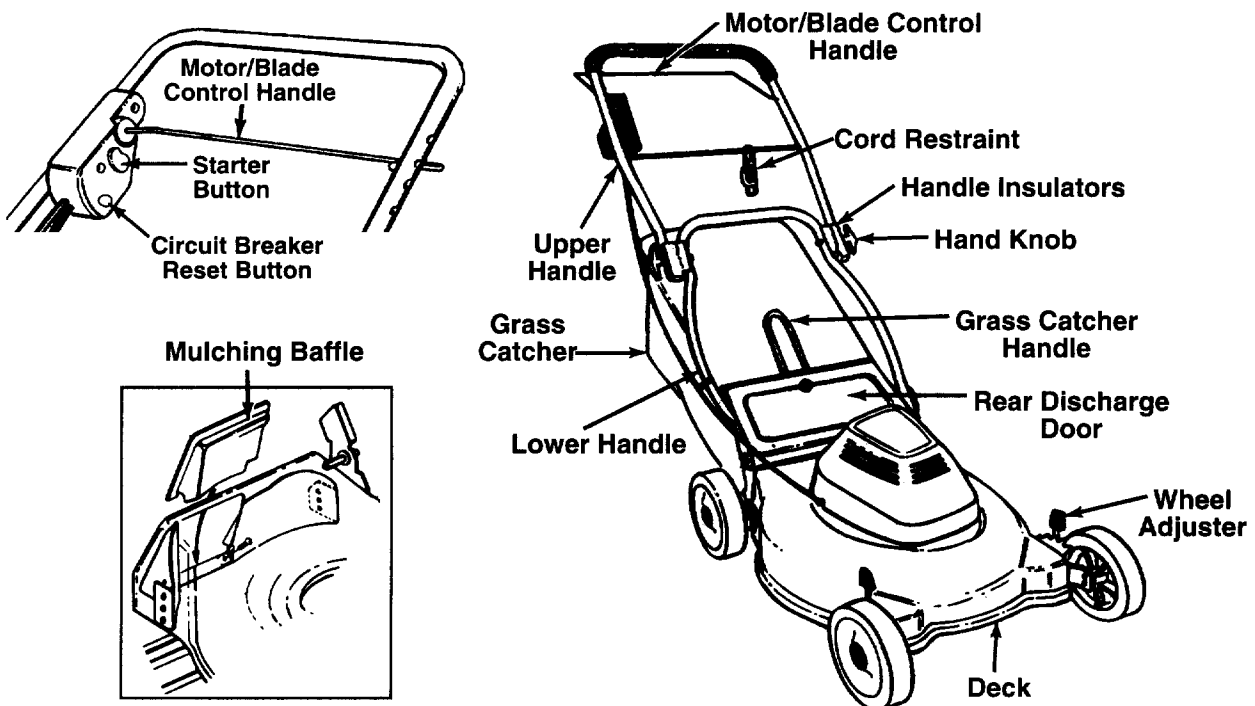


FIGURE 4.

MEETS CPSC BLADE SAFETY REQUIREMENTS

Sears Lawn Walk-Behind Mowers conform to the safety standards of the American National Standards Institute, Underwriters Laboratories, Inc., and the U.S. Consumer Product Safety Commission. The blade turns when the motor is running.

OPERATION

MOTOR/BLADE CONTROL—consists of two parts, the motor/blade control handle and the starter button.

- **Motor/Blade Control Handle**—must be held against the handle to start and run the motor and blade. Release to stop the motor and blade.
- **Starter Button**—must be depressed in order to engage the motor/blade control handle.

CORD RESTRAINT—helps prevent disconnection of extension cord from motor/blade control.

CIRCUIT BREAKER RESET BUTTON—used to reset the circuit breaker (circuit breaker prevents too much strain being placed on the mower).

BEFORE USING YOUR LAWN MOWER, AGAIN REFER TO THE “SAFETY RULES” AS SHOWN ON PAGE 2 OF THIS MANUAL. ALWAYS BE CAREFUL.



The operation of any lawn mower can result in foreign objects being thrown into the eyes, which can result in severe eye damage. Always wear safety glasses or eye shields before starting power tool operation or while performing any adjustments or repairs. We recommend Wide Vision Safety Mask for over spectacles or standard glasses available at Sears Retail or Catalog Stores.

HOW TO USE YOUR MOWER



WARNING: DO NOT OPERATE THIS MOWER WITH THE REAR DISCHARGE DOOR OPEN, UNLESS THE COMPLETE GRASS CATCHER IS IN PLACE. DO NOT OPERATE THE MOWER WITHOUT THE PROTECTIVE SHIELD ON THE REAR OF THE DECK IN PLACE.



WARNING: BE SURE THAT LAWN IS CLEAR OF STONES, STICKS, WRES, OR OTHER OBJECTS WHICH COULD DAMAGE LAWN MOWER OR ENGINE. SUCH OBJECTS COULD BE ACCIDENTALLY THROWN BY THE MOWER IN ANY DIRECTION AND CAUSE SERIOUS PERSONAL INJURY TO THE OPERATOR AND OTHERS.



WARNING: TO PREVENT ELECTRIC SHOCK, DO NOT OPERATE THE MOWER IN DAMP OR WET LOCATIONS.

TO STOP MOTOR AND BLADE

- Release the motor/blade control handle to stop the engine and blade. (You will hear a high pitched noise, which is the result of deceleration of the electric motor. Sparking at the top of motor, inside the motor cover, is also normal during deceleration.)



WARNING: THE BLADE CONTINUES TO ROTATE FOR A FEW SECONDS AFTER THE MOTOR IS SHUT OFF. IF MOTOR DOES NOT COME TO AN IMMEDIATE STOP WHEN THE MOTOR/BLADE CONTROL HANDLE IS RELEASED, CONTACT AN AUTHORIZED SERVICE LOCATION.

- Disconnect the power source to prevent accidental starting while equipment is unattended.



WARNING: IF YOU STRIKE A FOREIGN OBJECT, STOP THE MOTOR. DISCONNECT THE POWER SOURCE, THOROUGHLY INSPECT THE MOWER FOR ANY DAMAGE, AND REPAIR THE DAMAGE BEFORE RESTARTING AND OPERATING THE MOWER. EXTENSIVE VIBRATION OF THE MOWER DURING OPERATION IS AN INDICATION OF DAMAGE. THE UNIT SHOULD BE PROMPTLY INSPECTED AND REPAIRED.

TO START MOTOR AND ENGAGE BLADE

Standing behind the unit, depress starter button on the motor/blade control. Pull motor/blade control handle up against handle. Release starter button.

IMPORTANT: YOUR MOWER IS EQUIPPED WITH A CIRCUIT BREAKER, LOCATED ON THE MOTOR/BLADE CONTROL HOUSING. SEE FIGURE 5. IF THE CIRCUIT BREAKER TRIPS, RESET AS INSTRUCTED IN THE MAINTENANCE SECTION.

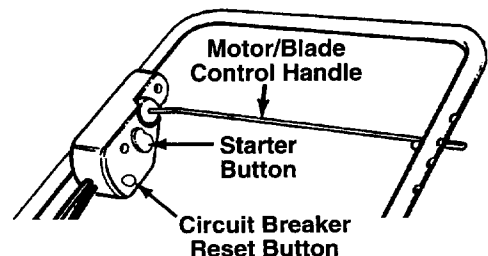


FIGURE 5.

MOTOR/BLADE CONTROL



WARNING: THE MOTOR/BLADE CONTROL ON THIS MOWER IS INSTALLED TO MINIMIZE THE RISK OF BLADE CONTACT INJURY AND IS REQUIRED BY FEDERAL REGULATIONS. DO NOT UNDER ANY CIRCUMSTANCES ATTEMPT TO DEFEAT THE FUNCTION OF THE MOTOR/BLADE CONTROL.

The motor/blade control requires the operator to be behind the handle to start and run the mower. When the operator releases the control handle, the motor will stop and an internal brake helps the blade to stop quickly.

When the operator leaves the operating position to remove the grass catcher, change the cutting height, or pick up sticks or other objects in the way, the motor will stop automatically when the motor/blade control handle is released.

CUTTING HEIGHT ADJUSTMENT



WARNING: TURN OFF MOTOR AND DISCONNECT POWER CORD BEFORE ADJUSTING THE CUTTING HEIGHT.

Each wheel has an adjuster lever to set the cutting height on your mower. They should always be set to the same position.

- Raise wheels for low cut and lower wheels for high cut.
- To change cutting height, move adjuster levers toward wheels. See figure 6. Move wheels up or down to suit your requirements. Be sure all four levers are in the same setting.

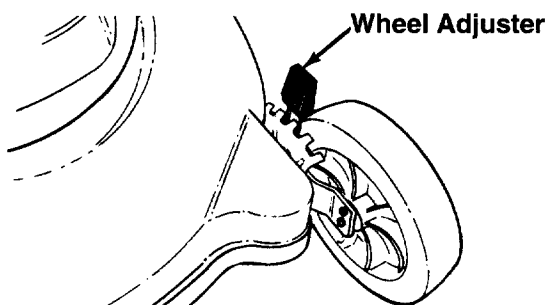


FIGURE 6.

- Adjust cutting height to suit your requirements. Refer to the "Mowing and Mulching Tips" on page 10. (The height adjusters may seem hard to move when new. They will operate easier after some use.)

CORD CONNECTION EXTENSION CORD

IMPORTANT: A 100 FOOT LENGTH OF 14 AWG EXTENSION CORD SHOULD BE USED. AN ACCEPTABLE SUBSTITUTE IS A 50 FOOT LENGTH OF 16 AWG CORD. IN APPLICATIONS WHERE A LONGER CORD IS NEEDED, A 150 FOOT LENGTH OF 12 AWG CORD MAY BE USED. USING ANY OTHER LENGTH OR RATING OF CORD WILL DIMINISH THE PERFORMANCE AND POSSIBLY THE LIFE OF THE ELECTRIC MOTOR. IN ALL CASES, THE EXTENSION CORD SHOULD BE A UL LISTED CORD SET SUITABLE FOR OUTDOOR USE.

- The length of extension cord you will need (not provided with unit) depends on the size of the area to be mowed. See extension cord information above.

CORD RESTRAINT

- Attach extension cord to the cord restraint as follows. Form a small loop in the extension cord. Allow enough excess cord to make the connection to the motor/blade control (approximately 20 inches). Slip the loop through the slot on the bottom of the cord restraint, and up over the tab, to prevent disconnection from the motor/blade control during operation. Leave enough cord to allow the cord restraint to move freely from side to side. See figure 7.

CONNECTION TO THE MOTOR/BLADE CONTROL

- Connect the plug on the extension cord fully onto the plug on the mower. The mower is equipped with a polarized AC power plug (one blade of the plug is wider than the other), which will fit into the plug on the extension cord only one way. If unable to make a full connection, try reversing the plug on the extension cord. Should the plugs still fail to fit, contact your service dealer for assistance. Do not defeat the safety purpose of the polarized plug.

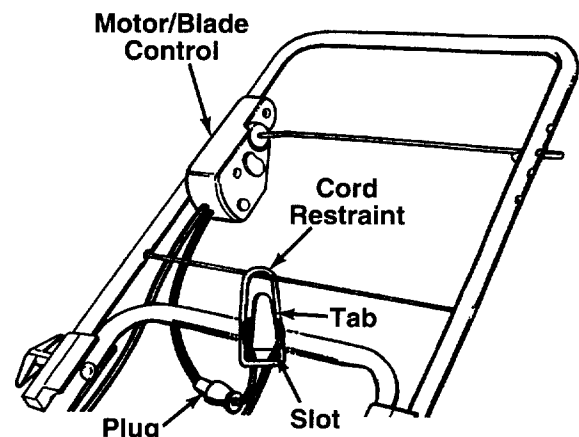


FIGURE 7.

OPERATION

CONNECTION TO THE ELECTRIC POWER SOURCE

- Plug the extension cord into any convenient 110-120 volt 60 cycle A.C. outlet or receptacle for your source of power. This outlet may be located either out-of-doors or indoors. If an inside receptacle is used, the extension cord can be taken out either through the doorway or a window. To avoid blowing fuses, pick an outlet that is not overloaded. Your mower will operate satisfactorily on a circuit that is fused for 15 amperes. Do not use oversized fuses without consulting your power company.

TO CONVERT MOWER TO MULCHER

- To convert the mower to a mulching mower, first remove the grass catcher. Then simply lift the rear discharge door, insert the mulching baffle, and release the rear discharge door.

MOWING AND MULCHING TIPS

Never mow around the lawn in circles. Always travel back and forth across the lawn, beginning at the point nearest the electric outlet where cord is connected. See figure 8. Cut grass moving away from the outlet so the cord lies in the cut portion of the lawn, out of the way. Do not allow extension cord to wrap around trees, shrubs or other obstacles.

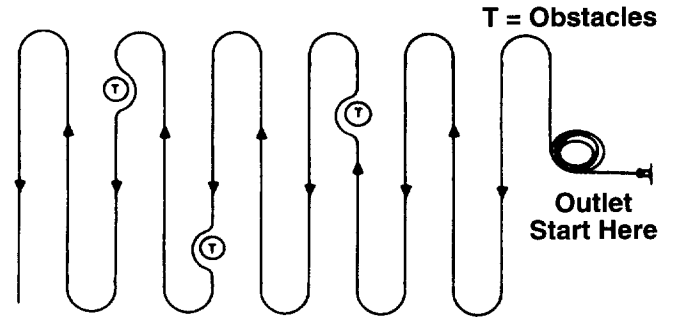


FIGURE 8.

The grass condition at the time of mowing determines the proper mower cutting height setting for best lawn appearance. For a healthy lawn, always cut one-third or less of the total length of the grass at any one cutting.

For extremely heavy cutting, reduce the width of cut.

When mulching under certain conditions, such as very tall grass, it may be necessary to raise the height of cut to reduce pushing effort and to keep from overloading the engine and leaving clumps of grass clippings. Under heavy conditions cross cut for additional mulching of surface debris.

When picking up the extension cord, wind the cord in a series of equal loops on each side of your hand to prevent snarling. See illustration at right.



CUSTOMER RESPONSIBILITIES

GENERAL RECOMMENDATIONS

- Follow the Maintenance Schedule below.



WARNING: BE CERTAIN TO DISCONNECT THE POWER SUPPLY BEFORE PERFORMING ANY REPAIRS OR MAINTENANCE.

MAINTENANCE SCHEDULE

SERVICE RECORD	SCHEDULE		SERVICE DATES						
	Every Use	Every 25 Hours							
Fill in dates as you complete regular service									
Blade Replaced		✓							
Lubricate Mower		✓							
Cleaning	✓								

✓ CHECK

CUSTOMER RESPONSIBILITIES

LUBRICATION

MOTOR

The motor on your mower does not require lubrication.

WHEELS

DO NOT oil or grease the wheels. Viscous lubricants will attract dust and dirt that will shorten the life of the wheels. If you feel the wheels must be lubricated, use only a dry, silicone type lubricant sparingly.

WHEEL ADJUSTERS

For easy operation, lubricate the wheel adjusters at least once a season with light oil.

MOWER

CIRCUIT BREAKER

The circuit breaker is located on the motor/blade control housing. This breaker may trip when too much strain is placed on the mower. The circuit breaker has been tripped if the mower will not run, and the white part of the reset button projects out of the motor/blade control housing. If this occurs, wait approximately 30 seconds, then depress the reset button. Restart the mower, but be sure to reduce the strain on the mower (i.e., mow at a higher cutting height, slow down, or take a smaller width of cut). If the circuit breaker does not reset, or if it trips repeatedly under normal cutting conditions, the mower should be examined at an authorized service location.

BLADE CARE

Your mower will work better with a sharp blade.



WARNING: BE CERTAIN TO DISCONNECT THE POWER SUPPLY BEFORE PERFORMING ANY MAINTENANCE.

TO REMOVE BLADE (See Figure 9):

- Turn mower on its side.
- Use a block of wood between blade and mower deck to prevent blade from turning when bolt is removed. Protect your hands with gloves and/or wrap blade with heavy cloth.
- Remove center blade bolt by turning counterclockwise. Use a 9/16" box or open-end wrench.



WARNING: PERIODICALLY INSPECT THE BLADE ADAPTER FOR CRACKS, ESPECIALLY IF YOU STRIKE A FOREIGN OBJECT. REPLACE WHEN NECESSARY.

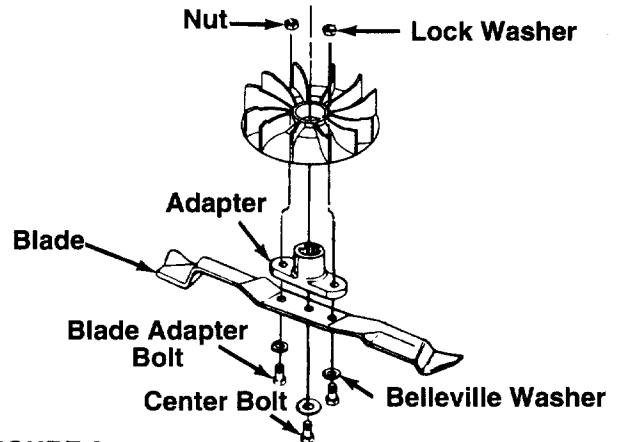


FIGURE 9.

TO REPLACE BLADE (See Figure 9):

- Put blade adapter on motor shaft.
- Fit blade in adapter. Be sure trailing edge of blade is up towards engine.
- Assemble bolts, washers, and nuts in the exact order of removal.
- Use block of wood to hold blade and tighten bolt clockwise. The recommended torque for the center blade bolt is 450-600 in. lbs. The recommended torque for the two blade adapter bolts is 200-300 in. lbs. Torque wrenches are available at most Sears stores and through the catalog.

IMPORTANT: THE BOLT USED TO SECURE THE BLADE TO THE MOTOR SHAFT IS SPECIALLY HEAT-TREATED. DO NOT SUBSTITUTE.



CAUTION: A LOOSE BLADE CAN BE DANGEROUS AND MAY MAKE THE MOTOR HARD TO START.

Use only a Sears authorized replacement blade to get the best cutting results.

TO SHARPEN BLADE

NOTE: We do not recommend sharpening the blade—but if you do, be sure blade is balanced.

- The blade can be sharpened with a file or on a grinding wheel. Do not attempt to sharpen while on the mower.
- Care should be taken to keep the blade balanced. An unbalanced blade will cause excessive vibration when running and eventual damage to mower and motor.
- To check blade balance, drive a nail into a beam or wall. Leave about one inch of straight nail exposed. Place center hole of blade over the head of the nail. If blade is balanced, it should remain in a horizontal position. If either end of the blade moves downward, blade is not balanced. Sharpen the heavy end until the blade is balanced.

CUSTOMER RESPONSIBILITIES

CLEANING



WARNING: DISCONNECT POWER SUPPLY BEFORE CLEANING YOUR MOWER.

- Remove any build-up of grass and leaves on or around motor cover. DO NOT USE WATER
- Clean the underside of your mower after each use by turning the mower on its side and scraping to remove any build-up of grass, leaves, dirt or other matter. DO NOT USE WATER.

- Occasionally use a dry cloth to wipe mower.
- Wash grass bag periodically with water. Allow to dry thoroughly in the shade. Do not use heat.

IMPORTANT: UNDER NORMAL USAGE, THE GRASS BAG IS SUBJECT TO WEAR AND SHOULD BE CHECKED PERIODICALLY. BE CERTAIN ANY REPLACEMENT BAG COMPLIES WITH THE MOWER MANUFACTURER'S SPECIFICATIONS.

SERVICE AND ADJUSTMENTS

REAR TRAIL SHIELD

The rear trail shield, attached between the rear wheels of your mower, is provided to minimize the possibility that objects will be thrown out the rear of the mower toward the operator. If the shield becomes damaged, it should be replaced.

TO ADJUST CUTTING HEIGHT

Refer to "CUTTING HEIGHT ADJUSTMENT" in Operation section of manual.

TO ADJUST HANDLE HEIGHT

The upper handle may be adjusted to three different height positions. To select desired position, loosen hand knobs and align one of the three marks on the top of the lower handle insulators with the mark on the upper handle insulators. Tighten the hand knobs.

STORAGE

Your mower should be prepared for off-season storage as follows:

MOWER

- Make sure motor/blade control is in OFF (released) position for storage.
- Clean underside of mower housing (See "CLEANING" in Customer Responsibilities section of manual).
- Inspect and replace/sharpen blade, if required (See "BLADE CARE" in Customer Responsibilities section of manual).
- Lubricate as shown in "MAINTENANCE SCHEDULE" (See Customer Responsibilities section of manual).

HANDLE

The handle may be folded away completely for storage.

- Remove the grass bag (if attached).
- Loosen the hand knobs on the sides of the handle, and let the upper handle fold down to the rear.
- Pull outward on each side of the lower handle, and lift the sides of the lower handle past the edges of the handle mounting brackets. Fold the lower handle forward.

CAUTION: When folding the handle for storage or transportation, be careful not to bend or kink the power cord.

To return the mower to the operating position, pull up and back on the handle until it locks in position. Tighten the hand knobs which secure the upper and lower handles.

EXTENSION CORD

- Replace extension cord if cut or abraded.
- Extension cord should be wiped dry of any foreign substances such as oil or stains.
- Wind cord and store in cool, dry place (See cord winding instruction on page 10).

OTHER

Do not store your mower under any plastic cover. Plastic cannot breathe which allows condensation to form and causes metal components of mower to rust.

TROUBLE SHOOTING GUIDE

Trouble	Possible Cause(s)	Corrective Action
Does not start	<ol style="list-style-type: none"> 1. Motor/blade control disengaged. 2. Extension cord disconnected. 3. Tripped circuit breaker. 4. Blown fuse or a tripped circuit breaker in electrical circuit. 5. Motor/blade control switch defective. 	<ol style="list-style-type: none"> 1. Engage motor/blade control. 2. Be sure that the extension cord is plugged into the outlet and the lawn mower switch plug. 3. Reset circuit breaker. 4. Check to see if a fuse has been blown or a circuit breaker tripped in your electrical box. 5. Replace motor/blade control switch.
Frequent tripping of circuit breaker or blowing of fuses	<ol style="list-style-type: none"> 1. Cutting too much grass. 2. Circuit overloaded. 	<ol style="list-style-type: none"> 1. Set in "Higher Cut" position, take smaller width of cut, or slow down. 2. Do not use a higher rated fuse without consulting your power company. If condition persists (be sure circuit is not overloaded), have your unit checked by your nearest Authorized Sears Service Dealer.
Loss of power	<ol style="list-style-type: none"> 1. Cutting too much grass. 2. Build-up of grass, leaves and debris under mower. 	<ol style="list-style-type: none"> 1. Set in "Higher Cut" position. 2. Disconnect power cord and clean underside of mower housing.
Poor or uneven cut	<ol style="list-style-type: none"> 1. Worn, bent or loose blade. 2. Build-up of grass, leaves and debris under mower. 	<ol style="list-style-type: none"> 1. Replace blade. Tighten blade nut. 2. Disconnect power cord and clean underside of mower housing.
Too much vibration	<ol style="list-style-type: none"> 1. Worn, bent or loose blade. 2. Bent motor shaft. 	<ol style="list-style-type: none"> 1. Replace blade. Tighten blade nut. 2. Contact Sears Service Department.
Hard to push	<ol style="list-style-type: none"> 1. High grass or cutting height too low. 2. Rear of mower housing and blade dragging in heavy grass. 	<ol style="list-style-type: none"> 1. Raise cutting height. 2. Raise cutting height.

Note: For repairs beyond the minor adjustments listed above, contact your nearest SEARS Service Center.

HOW TO ORDER REPLACEMENT PARTS

Each lawn mower has its own model number.

The model number for your lawn mower will be found on a label attached to the lawn mower near the right rear wheel.

All parts listed herein may be ordered through Sears, Roebuck and Co. Service Centers and most Retail Stores.

WHEN ORDERING REPAIR PARTS, ALWAYS GIVE THE FOLLOWING INFORMATION:

***PRODUCT - "19" Electric Mulching Mower"**

***MODEL NUMBER - 247.370252**

***PART NUMBER**

***PART DESCRIPTION**

Your Sears merchandise has added value when you consider that Sears has service units nationwide staffed with Sears trained technicians...professional technicians specifically trained on Sears products, having the parts, tools and the equipment to ensure that we meet our pledge to you..."we service what we sell."

IF YOU NEED REPAIR SERVICE OR PARTS:

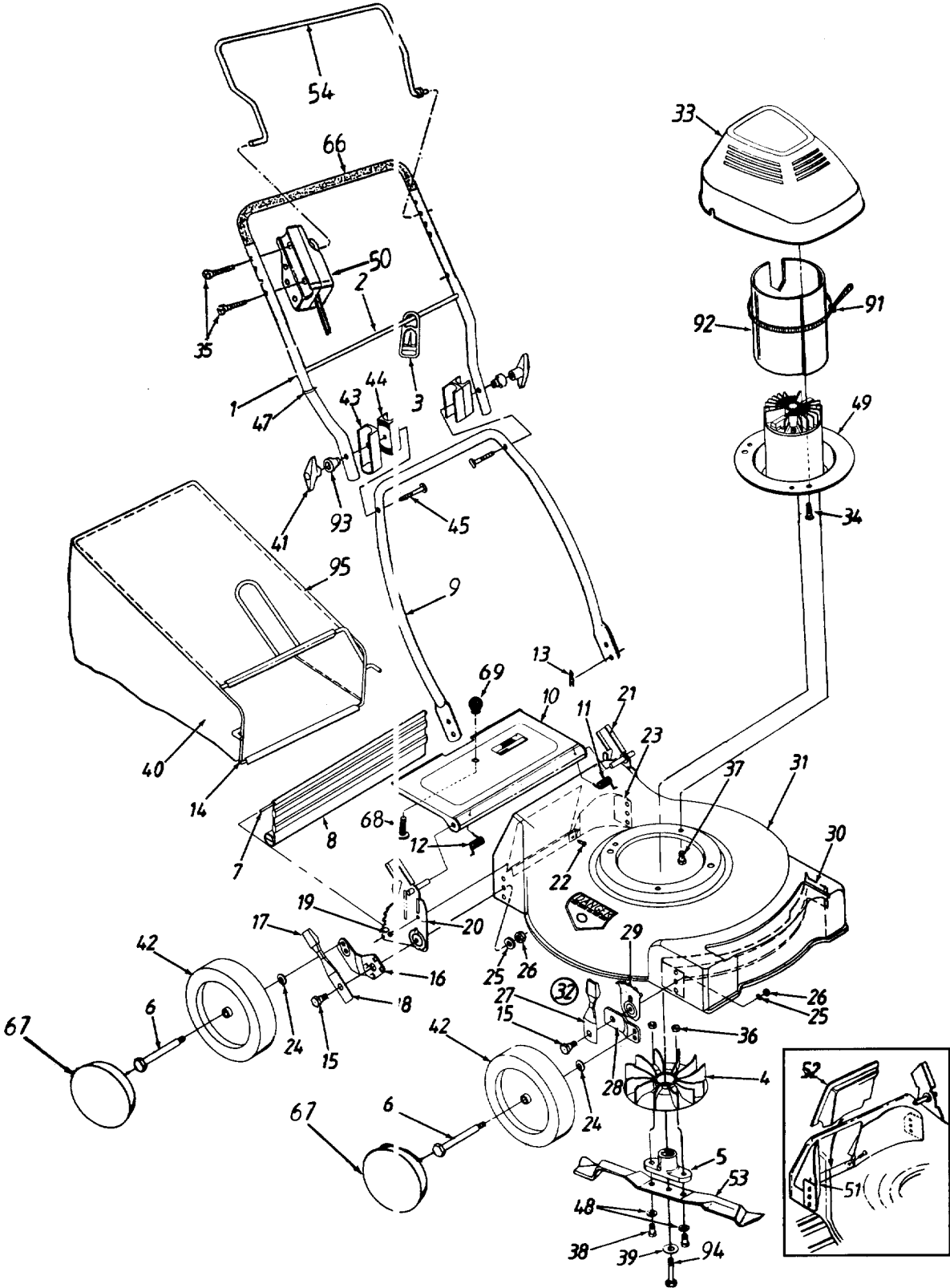
REPAIR SERVICE

**1-800-4-REPAIR
(1-800-473-7247)**

ORDERING PARTS

**1-800-FON-PART
(1-800-366-7278)**

SEARS CRAFTSMAN 19" ELECTRIC MULCHING MOWER MODEL NO. 247.370252 Repair Parts

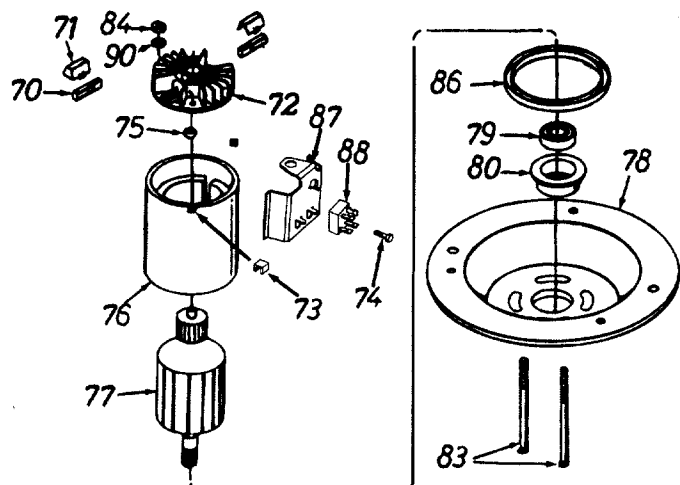


SEARS CRAFTSMAN 19" ELECTRIC MULCHING MOWER MODEL NO. 247.370252

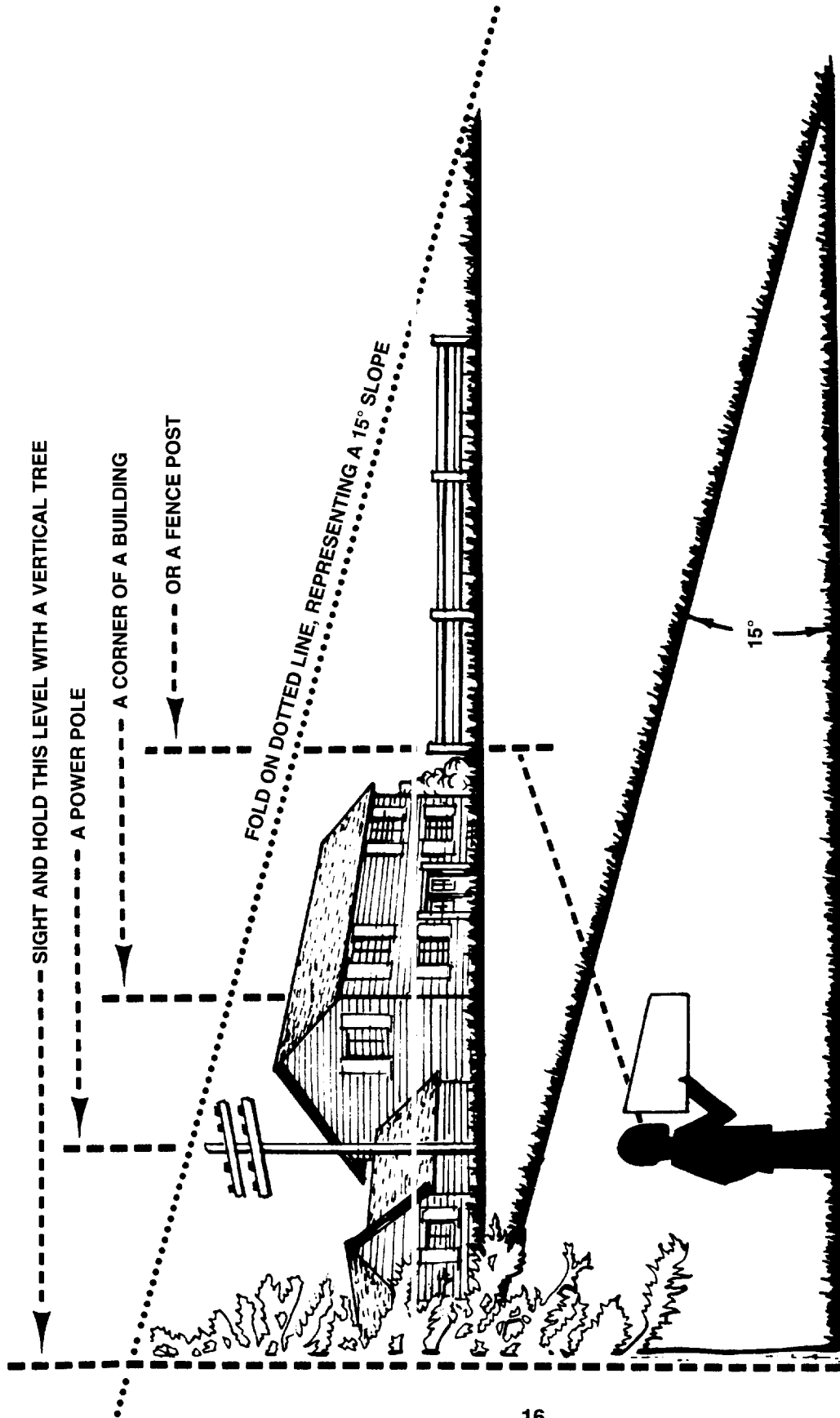
Repair Parts

KEY NO.	PART NO.	DESCRIPTION	KEY NO.	PART NO.	DESCRIPTION
1	749-0984	Upper Handle	35	710-0605	C-Sunk Scr. 1/4-20 x 1.8" Lg.
2	747-0923	Cord Control Rod	36	712-0241	Hex Nut 3/8-24 Thd.
3	725-1590	Strain Relief—Cord	37	710-0654A	Hex TT-Tap Scr. 3/8-16 x 1" Lg.
4	731-1270	Fan	38	710-0191	Hex Bolt 3/8-24 x 1.25" Lg.
5	748-0356	Blade Adapter	39	736-0452	Bell-Wash. .396" I.D. x 1.14"
6	738-0102	Axle Bolt	40	764-0447	Grass Bag
7	732-0712	Rear Flap Wire	41	720-0241	Plastic Knob
8	731-1261	Rear Flap	42	734-1699	Wheel Ass'y. Comp.
9	749-0882	Lower Handle	43	731-1268	Upper Handle Insulator
10	782-7025	Chute Door	44	731-1267	Lower Handle Insulator
11	732-0677	Door Spring—L.H.	45	710-0450	Carriage Bolt 5/16-18 x 3" Lg.
12	732-0678	Door Spring—R.H.	47	726-0240	Cable Tie
13	714-0104	Hairpin Clip	48	736-0331	Bell-Wash. 3/8" I.D.
14	764-0326	Front Catcher Frame	49	818-60014	Motor, Cord & Switch Ass'y.
15	738-0507B	Shld. Bolt .5" Dia. x .434"	50	625-0018A	Cord & Switch Ass'y. Comp.†
16	14765	Pivot Bar—R.H.		725-1565	Rocking Switch Only†
	14766	Pivot Bar—L.H. (Not Shown)		724-0243	Cord Only†
17	720-0190	Spring Lever Knob	51	782-5004	Mulching Baffle—R.R.
18	732-0417A	Spring Lever	52	782-5007	Mulching Baffle Plug
19	710-0896	Hex AB-Tap Scr. 1/4-14 x .62" Lg.	53	742-0719	19" Mulching Blade
20	682-0514	Handle Brkt. Ass'y.—R.H.	54	747-0622	Control Handle
21	682-0513	Handle Brkt. Ass'y.—L.H.	66	720-0226	Foam Grip
22	710-1017	Torx. Mach. AB-Tap Scr. 1/4 x .62" Lg.	67	720-0258	Hub Cap
23	782-5026	Rear Baffle	68	710-0192	Truss Scr. #10-24 x .38" Lg.
24	736-0105	Bell-Wash. .38" I.D. x .88" O.D.	69	720-0275	Knob
25	736-0356	Bell-Wash. .39" I.D. x 1.38" O.D.	70	624-0031	Brush and Liner Ass'y.†
26	712-0798	Hex Nut 3/8-16 Thd.*	71	724-0200	Brush Holder Cap†
27	14832	Spring Lever Ass'y. w/Knob	72	624-0070	End Shield Ass'y. w/Plug (Incl. Ref. 70 & 71)†
28	15262B	Pivot Bar	73	721-0305	Insulator Wire (Output)†
29	15261A	Height Adj. Plate	74	710-0436	Hex Tap Scr. #10-16 x .62" Lg.†
30	782-5025	Front Baffle	75	741-0875	Needle Bearing†
31	782-0054	19" Deck	76	—	Not a Serviceable Part—Order Ref. 49
32	14578	Height Adj. Ass'y. Comp.—R.H.	77	624-0029	Armature Ass'y.†
	14579	Height Adj. Ass'y. Comp.—L.H. (Not Shown)	78	724-0194	Motor End Plate†
33	731-1264	Motor Cover	79	741-0124	Ball Bearing†
34	710-3009	Scr. #10-24 x .75" Lg.	80	748-0348	Bearing Adapter†
			83	710-1176	Carriage Bolt†
			84	712-0324	Hex L-Nut 1/4-20 Thd.†
			86	721-0306	Motor Hsg. Insulator†
			87	782-5016	Brkt.-Rectifier/Heat Sink†
			88	725-1631	Rectifier†
			90	736-3090	Fl-Wash. .26" I.D. x .72" O.D.†
			91	726-0209	Cable Tie
			92	721-0311	Insulator Motor Hsg.
			93	731-1388	Insulator—Knob
			94	710-1251	Hex Bolt 3/8-24 x 2.5"
			95	764-0325	Rear Catcher Frame
			—	770-0253L	Owner's Manual

*Common Hardware—May be purchased locally.
 †Part of Motor, Switch & Cord Ass'y. Comp. (Ref. 49)



USE THIS PAGE AS A GUIDE TO DETERMINE SLOPES WHERE YOU MAY NOT OPERATE SAFELY.

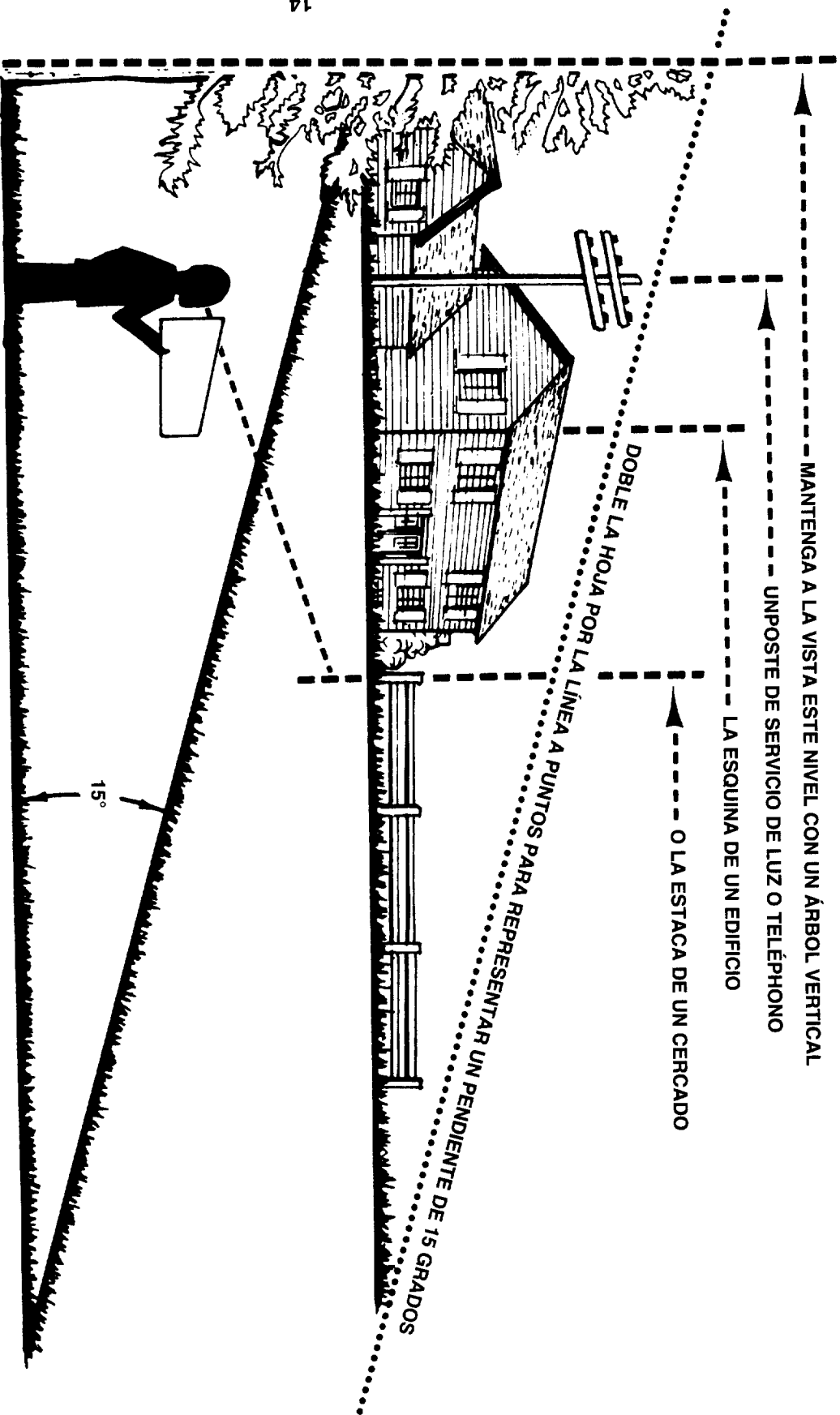


Do not mow on inclines with a slope in excess of 15 degrees (a rise of approximately 2-1/2 feet every 10 feet). A riding mower could overturn and cause serious injury. If operating a walk-behind mower on such a slope, it is extremely difficult to maintain your footing and you could slip, resulting in serious injury.

Operate RIDING mowers up and down slopes, never across the face of slopes.

Operate WALK-BEHIND mowers across the face of slopes, never up and down slopes.

USE ESTA PÁGINA COMO GUÍA PARA DETERMINAR LOS PENDIENTES EN DONDE NO SE PUEDE OPERAR EL CORTACÉSPED CON SEGURIDAD.



14

MEDIDOR DE PENDIENTES



No opere la máquina en terrenos con pendiente en exceso de 15 grados (una elevación de 2-1/2 pies a cada 10 pies de distancia). Un cortacésped de montar se puede volcar, resultando en lesiones serias para el operador. Si empuja un cortacésped de operación manual en tal terreno, es muy difícil evitar resbalones que también pueden resultar en lesiones serias. Los cortacéspedes de montar se deben manejar para arriba y para abajo de los terrenos con pendiente. Nunca se deben manejar lateralmente. Los cortacéspedes de operación manual se deben manejar lateralmente en terrenos con pendiente. Nunca se deben manejar para arriba o para abajo.

GUIA PARA RESOLUCION DE PROBLEMAS

Problema	Causa(s) Posible(s)	Acción Correctiva
El motor no arranca	<ul style="list-style-type: none"> Palanca de control de cuchilla desacoplada Cable de extensión desconectado Cortocircuito disparado Fusible quemado o un cortocircuito disparado en el circuito eléctrico Interruptor del control del motor/cuchilla defectuoso 	<ul style="list-style-type: none"> Acople la palanca de control conectado al toma de corriente y el interruptor del cortacésped conectado. Reconecte el cortocircuito. Revise a ver si un fusible ha sido quemado o un cortocircuito disparado en su caja de conducto. Reemplace el interruptor del control del motor/cuchilla.
Disparo frecuente del cortocircuito o fusibles fundidos	<ul style="list-style-type: none"> Esta cortando demasiado césped. Cortocircuito recargado. 	<ul style="list-style-type: none"> Coloque en la posición "Corte Más Alto" (Higher Cut), corte franjas más angostas o haga lo más despacio. No use un fusible de mayor potencia sin antes consultar con su compañía de electricidad. Si la condición persiste (asegúrese de que el circuito no este recargado) lleve su unidad para que la inspeccionen en un Centro de Servicio Sears más cercano.
Pérdida de energía	<ul style="list-style-type: none"> Esta cortando demasiado césped. Residuos de césped, hojas debajo del cortacésped. 	<ul style="list-style-type: none"> Coloque en la posición "Corte Más Alto". Desconecte el cable eléctrico y limpie por debajo de la caja del cortacésped.
Corta el césped de manera desigual	<ul style="list-style-type: none"> Cuchilla desgastada, doblada. Residuos de césped, hojas debajo del cortacésped. 	<ul style="list-style-type: none"> Reemplace la cuchilla. Apriete la tuerca de la cuchilla. Desconecte el cable eléctrico y limpie por debajo de la caja del cortacésped.
Vibración Excesiva	<ul style="list-style-type: none"> Cuchilla suelta o desequilibrada Cigüeñal doblado 	<ul style="list-style-type: none"> Reemplace la cuchilla. Apriete la tuerca. Llame a su Centro de Servicio Sears.
Difficil de empujar	<ul style="list-style-type: none"> Césped alto o altura de corte demasiado baja. La parte trasera de la caja del cortacésped y la cuchilla rastreado en el césped pesado. 	<ul style="list-style-type: none"> Levante la altura de corte. Levante la altura de corte.

Nota: Para reparaciones aparte de estos pequeños ajustes, póngase en contacto con su Centro de Servicio Sears más cercano.

COMO ORDENAR PIEZAS DE REPUESTO

Cada cortacésped tiene su número propio de modelo. Cada motor tiene su número propio de modelo.

El número de modelo para su cortacésped se encuentra en un rótulo pegado al marco.

Todas las piezas listadas aquí pueden ordenarse de los Centros de Servicio de Sears Roebuck and Co. y en la mayoría de las tiendas al por menor.

CUANDO ORDENE PIEZAS DE REPUESTO SIEMPRE PROPORCIONE LA INFORMACION SIGUIENTE:

● PRODUCTO - "CORTACÉSPED DE ELÉCTRICO"

● NÚMERO DE MODELO - 247.370252

● NÚMERO DE PIEZA

● DESCRIPCIÓN DE LA PIEZA

Su mercadería de Sears tiene un valor agregado cuando usted considera que Sears tiene unidades de servicio en todo el país con personal técnico entrenado de Sears...

SERVICIO DE REPARACIÓN

1-800-4 REPAIR

1-800-473-7247

PARA OF DENAR PARTES

1-800-FO V PART

1-800-366-7278

SI NECESITA SERVICIO DE REPARACIÓN O PARTES:

técnicos profesionales entrenados específicamente en los productos de Sears, teniendo las piezas, herramientas y el equipo para asegurar que cumplamos con nuestra promesa a usted. "servimos lo que vendemos."

Para las piezas de repuesto, vea el reverso del manual. Las listas de las piezas comienzan en la página 14.

RESPONSABILIDADES DEL PROPIETARIO

LIMPIEZA



ADVERTENCIA: DESCONECTE LA FUENTE DE ENERGÍA ANTES DE LIMPIAR SU CORTACÉSPED.

- De vez en cuando use una toalla seca para limpiar el cortacésped.
- Lave la bolsa periódicamente con agua. Permita que se seque completamente en la sombra. No use calor.
- IMPORTANTE:** BAJO USO NORMAL, LA BOLSA ES SOMETIDA AL DESGASTE Y SE DEBE REVISAR CON FRECUENCIA. ASEGURESE DE QUE CUALQUIER BOLSA DE REPUESTO CUMPLA CON LAS ESPECIFICACIONES DEL FABRICANTE DEL CORTACÉSPED.
- Quite cualquier residuo de hojas o césped encima o alrededor de la cubierta del motor. NO USE AGUA.
- Limpie la superficie interior del cortacésped después de cada uso para remover residuos de césped, hojas, tierra u otras cosas. NO USE AGUA.

MANTENIMIENTO Y AJUSTES

RESGUARDO TRASERO

El resguardo trasero que se encuentra entre las ruedas traseras de su cortacésped se proporciona para minimizar la posibilidad de que objetos salgan volando por detrás de la máquina hacia el operador. Si el resguardo se daña, se debe reemplazar.

PARA AJUSTAR LA ALTURA DE CORTE

Vea en la sección de operación del manual "AJUSTE DE LA ALTURA DE CORTE".

PARA AJUSTAR LA ALTURA DEL MANGO

La palanca superior se puede ajustar a tres posiciones diferentes. Para seleccionar la altura deseada, alíjela las perillas manuales, y alinee una de las tres marcas en la parte superior de los aisladores del mango inferior con la marca en los aisladores del mango superior. Apriete las perillas de mano.

CORTACÉSPED

Su cortacésped se debe preparar de la siguiente manera antes de almacenarlo:

- Asegúrese de que el control del motor/cuchilla se encuentre en la posición OFF (apagado) para el almacenaje.
- Limpie el lado inferior de la caja del cortacésped (Vea "LIMPIEZA" en la sección "Responsabilidades del Propietario" del manual).
- Inspeccione y reemplace/atíe la cuchilla si es necesario (Vea "CUIDADO DE LA CUCHILLA" en la sección "Responsabilidades del Propietario" del manual).
- Lubrique como se demuestra en "HORARIO DE MANTENIMIENTO" (Vea la sección "Responsabilidades del Propietario" de este manual).

MANGO

El mango se puede doblar completamente para el almacenaje.

- Quite la bolsa para césped (si está unida).
- Suelte las perillas de mano de los lados del mango y deje que el mango superior se doble hacia atrás.
- Tire hacia afuera en cada lado del mango inferior y levante los lados del mango inferior pasando los bordes de los soportes del mango. Doble el mango inferior hacia adelante.

OTRA INFORMACION

No almacene su cortacésped bajo ninguna cubierta de plástico. El plástico no deja respirar bien lo que permite que se forme condensación y esto causa que los componentes de metal de la máquina se herrumbren.

CABLE DE EXTENSION

- Reemplace el cable de extensión si esta cortado o desgastado.
- El cable se debe limpiar y mantener libre de aceite o manchas.
- Enrolle el cable y almacénelo en un sitio fresco y seco (Vea la instrucción de como enrollar el cable en la página 10).

Para volver el cortacésped a la posición de operación, tire hacia arriba y hacia atrás el mango hasta que cierre en posición. Apriete las perillas de mano que fijan los mangos superior e inferior.

PRECAUCION: Al doblar el mango para el almacenaje o transporte, asegúrese de no doblar o enredar el cable eléctrico.

ALMACENAMIENTO

RESPONSABILIDADES DEL PROPIETARIO

LUBRICACION MOTOR

El motor de su cortacésped no requiere lubricación.

RUEDAS

No aceite ni engrase las ruedas. Varios lubricantes atraerán polvo y suciedad que acortarán la duración de las ruedas. Si considera prescindible lubricar las ruedas, use solamente un lubricante seco de silicón de vez en cuando.

AJUSTES DE LAS RUEDAS

Para la fácil operación, lubrique los ajustes de las ruedas por lo menos una vez cada estación con aceite ligero.

CORTACÉSPED CORTACIRCUTOS

El cortacircutos está situado en la caja del control del motor/cuchilla. Este interruptor puede disparar cuando el cortacésped está bajo demasiado esfuerzo. Si ha sido disparado y la parte blanca del botón de reajuste se sale de la caja del control del motor/cuchilla. Si esto ocurriera, espere aproximadamente 30 segundos y baje el botón de reajuste. Vuelva a encender el cortacésped, pero asegúrese de reducir la carga del cortacésped (ej.: corte con una altura de corte más alta, corte en líneas más angostas). Si el cortacircutos no se activa, o si se dispara con frecuencia bajo condiciones de corte normales, esta máquina debe ser examinada por un centro de servicio autorizado.

CUIDADO DE LA CUCHILLA

Su cortacésped funcionará mejor con la cuchilla afilada.

ADVERTENCIA: ASEGURESE DE DESCONECTAR LA FUENTE DE ENERGIA ANTES DE DARLE MANTENIMIENTO.



PARA QUITAR LA CUCHILLA (Vea figura 9): Vuelva el cortacésped de lado. Asegúrese de que el depurador de aire y el carburador estén arriba. Use un bloque de madera entre la cuchilla y la plataforma del cortacésped para evitar que la cuchilla gire al quitar el perno. Proteja sus manos con guantes y/o envuelva la cuchilla en una manta gruesa. Quite el perno de la cuchilla girando hacia la izquierda. Use una llave de 9/16".

ADVERTENCIA: INSPECCION PERIODICAMENTE EL ADAPTADOR DE CUCHILLA PARA VER SI ESTA AGRIBADO, ESPECIALMENTE SI HA GOLPEADO ALGUN OBJETO. REEMPLACE CUANDO SEA NECESARIO.

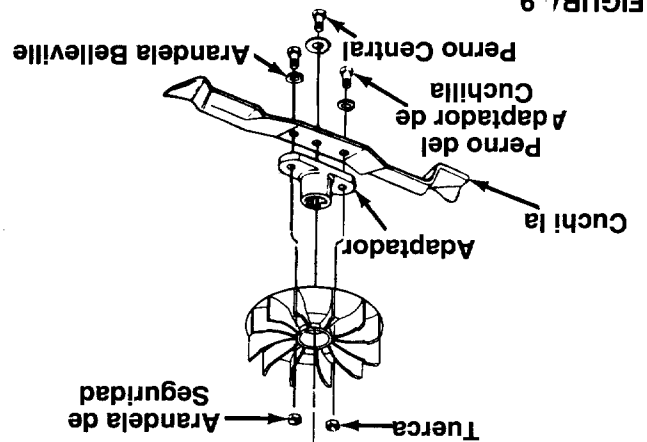


FIGURA 9.

PARA REEMPLAZAR LA CUCHILLA (Vea figura 9): Ponga el adaptador de la cuchilla en el cigüeñal del motor.

- Coloque la cuchilla en el adaptador. Asegúrese de que el borde de salida de la cuchilla se dirija hacia el motor.
- Coloque los pernos, arandelas y tuercas en el mismo orden en que las quitó.
- Use el bloque de madera para sostener la cuchilla y apriete el perno hacia la derecha. El momento de torsión recomendado para el centro es de 450-600 pulgadas-libras. El momento de torsión para los pernos del adaptador de la cuchilla es de 200-300 pulgadas-libras. Las llaves de torsión son disponibles en la mayoría de los Centros Sears y a través del catálogo.

IMPORTANTE: EL PERNO UTILIZADO PARA FIJAR LA CUCHILLA AL MOTOR ES ESPECIALMENTE TRATADO CON CALOR. NO LO SUSTITUYA. PRECAUCION: UNA CUCHILLA SUELTA PUEDE SER PELIGROSA Y PUEDE DIFICULTAR EL ARRANQUE DEL MOTOR.

Reemplácela solamente con una cuchilla autorizada Sears para obtener los mejores resultados.

PARA FILAR LA CUCHILLA

NOTA: No recomendamos afilar la cuchilla - pero si lo hace, asegúrese de que la cuchilla este equilibrada. Se puede afilar con una lima o en una rueda de amolador. No trate de afilarla mientras este en el cortacésped.

- Se debe tener cuidado para mantener la cuchilla equilibrada. Una cuchilla desequilibrada causará demasiada vibración al funcionar y eventualmente dañará el cortacésped y el motor.
- Para revisar el equilibrio de la cuchilla, clave un clavo en una viga o pared. Deje aproximadamente una pulgada del clavo expuesta. Coloque el agujero central de la cuchilla sobre la cabeza del clavo. Si la cuchilla esta equilibrada, debe permanecer en la posición horizontal. Si cualquier lado de la cuchilla de dirige hacia abajo, la cuchilla no esta equilibrada. Afíle el lado grueso hasta que la cuchilla se equilibre.

OPERACIÓN

CONEXION A LA FUENTE DE ELECTRICIDAD

● Conecte el cable de extensión a cualquier toma de corriente o receptáculo de 110-120 voltios ciclo 60 A.C. Este toma de corriente puede estar adentro o afuera. Si se usa un receptáculo adentro, el cable de extensión se puede sacar ya sea por una puerta o ventana, Para evitar fundir los fusibles, escoja un toma de corriente que no este recargado. Su cortacésped funcionará bien en un circuito que sea para 15 amperios. No use fusibles demasado grandes sin antes consultar con su compañía de electricidad.

PARA CONVERTIR EL CORTACESED A UN TRITURADOR

● Para convertir el cortacésped a un triturador, primero quite el colector de césped. Luego simplemente levante la puerta de descarga trasera, coloque el deflector y suelte la puerta de descarga trasera.

CONSEJOS DE CORTE Y TRITURACION

Nunca corte el césped en círculos. Siempre vaya de un lado hacia otro, empezando en el punto más cercano al toma de corriente al cual esta conectada la máquina. Vea la figura 8. Corte el césped alejándose del cable de manera que vaya quedando en el área ya cortada, lejos. No permita que el cable de extensión se enrolle en árboles, arbustos y otros obstáculos.

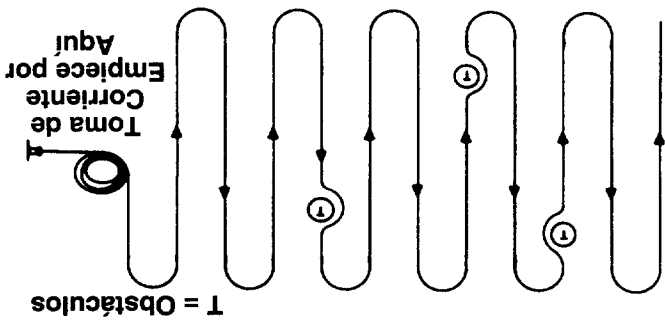


FIGURA 8.

La condición del césped a la hora del corte determina la altura de corte adecuada para mejor apariencia. Para un césped saludable, siempre corte 1/3 parte o menos de la longitud total.

Para corte demasado grueso, reduzca el ancho del corte. Al triturar bajo ciertas circunstancias, como por ejemplo si el césped es demasado alto, es posible que tenga que levantar la altura de corte para reducir el esfuerzo de corte y evitar que el motor se recargue y no dejar el césped cortado en grupos. Bajo condiciones pesadas corte en cruce para la trituración adicional.



Al levantar el cable de extensión, enrolle el cable en una serie de lazos iguales en cada lado de su mano para prevenir que se enrolle. Vea la ilustración a la derecha.

RESPONSABILIDADES DEL PROPIETARIO

RECOMENDACIONES GENERALES

● Siga el siguiente Horario de Mantenimiento.



ADVERTENCIA: ASEGURESE DE DESCONECTAR LA FUENTE DE ENERGIA ANTES DE EJERCER REPARACIONES O MANTENIMIENTO.

MANTENIMIENTO HORARIO

CONTROL DE MANTENIMIENTO		HORARIO		FECHAS DE MANTENIMIENTO						
Llene las fechas en las que realizó el mantenimiento regular	Cada 25 Horas	Cada	Uso	✓						
				✓						
				✓						
				✓						
Limpeza										
Lubricar el Cortacésped										
Cambio de la Cuchilla										

CONTROL DEL MOTOR/CUCHILLA



ADVERTENCIA: EL CONTROL DEL MOTOR/CUCHILLA EN ESTE CORTACÉSPED SE INSTALA PARA MINIMIZAR EL RIESGO DE CONTACTO CON LA CUCHILLA TAL COMO ES REQUERIDO POR LAS REGLAS FEDERALES. NO TRATE DE CAMBIAR BAJO NINGUNA CIRCUNSTANCIA LA FUNCION DEL CONTROL DEL MOTOR/CUCHILLA.

El control del motor/cuchilla requiere que el operador se encuentre detrás del mango para arrancar y usar el cortacésped. Cuando el operador suelta la palanca de control, el motor se detiene y un freno interno ayuda a que la cuchilla se detenga rápidamente. Cuando el operador deja la posición de operación para quitar el colector de césped, cambiar la altura de corte o para recoger objetos, el motor se detendrá automáticamente cuando la palanca de control del motor/cuchilla se suelta.

AJUSTE DE LA ALTURA DE CORTE

ADVERTENCIA: APAQUE EL MOTOR Y DESCONECTE EL CABLE ELÉCTRICO ANTES DE EFECTUAR EL AJUSTE.

Cada rueda tiene una palanca de ajuste para fijar la altura de corte de su cortacésped. Siempre deben de estar fijadas en la misma posición.

- Levante las ruedas para corte bajo y ruedas bajas para corte alto.
- Para cambiar la altura de corte, mueva las palancas de ajuste hacia las ruedas. Vea la figura 6. Mueva las ruedas hacia arriba o hacia abajo como sea necesario. Asegúrese de que todas las palancas se encuentren en el mismo nivel.

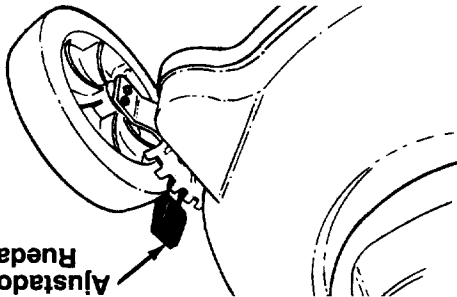


FIGURA 6.

- Ajuste la altura de corte de acuerdo a sus necesidades. Vea la sección "Consejos Sobre el Corte del Césped" en la página 10. (Los ajustes de altura cuando son nuevos pueden ser difíciles de mover. Funcionaran mejor después de ser usados.)

CONEXION DEL CABLE CABLE DE EXTENSION

IMPORTANTE: SE DEBE USAR UN CABLE DE 100' DE LONGITUD DE 14 AWG. ESTE SE PUEDE SUSTITUIR POR CABLE DE 50' DE LONGITUD DE 16 AWG. PARA APLICACIONES EN LAS QUE SE NECESITA CABLE MAS LARGO, SE PUEDE USAR UN CABLE DE 150' DE LONGITUD DE 12 AWG. EL USO DE UN CABLE DE OTRO TAMAÑO O GRADO DISMINUIRA EL FUNCIONAMIENTO Y POSIBLEMENTE LA DURACION DEL MOTOR ELÉCTRICO. EN TODOS LOS CASOS, EL CABLE DE EXTENSION DEBE SER UN ADECUADO PARA EL USO AL AIRE LIBRE.

- La longitud del cable que necesitará (no proporcionalado con la unidad) depende del área que vaya a cortar. Vea la información sobre el cable anterior.
- **SUJECION DEL CABLE**
 Une el cable de extensión a la sujeción del cable de la siguiente manera. Haga un lazo en el cable de extensión. Deje suficiente cable para hacer la conexión al control del motor/cuchilla (aproximadamente 20 pulgadas). Deslice el lazo a través de la herdedura en la parte inferior de la sujeción y sobre la lengüeta, para prevenir la desconexión del control del motor/cuchilla durante la operación. Deje suficiente cable para permitir que la sujeción del cable se mueva libremente de lado a lado. Vea la figura 7.

CONEXION AL CONTROL DEL MOTOR/CUCHILLA
 Corecte el enchufe del cable de extensión completamente al enchufe del cortacésped. El cortacésped tiene un enchufe polarizado AC (una cuchilla es más grande que la otra) que calzará en el enchufe del cable de extensión solamente de una manera. No lo puede conectar, dele media vuelta al enchufe del cable de extensión y vuelva a intentarlo. Si aun de esta manera no calzan, llame a su centro de servicio. No trate de alterar el acceso de seguridad del enchufe polarizado.

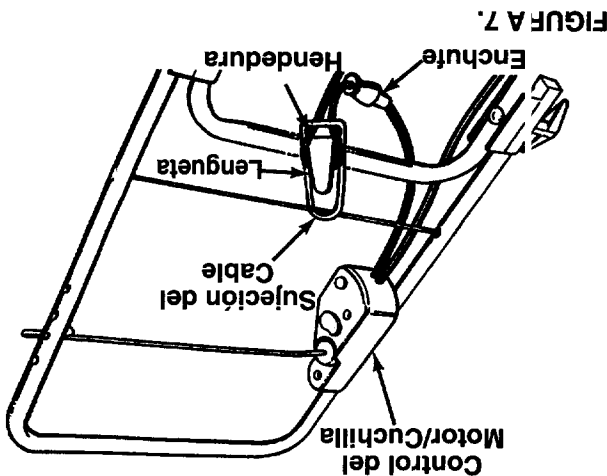


FIGURA 7.

OPERACION

SUJECION DEL CABLE - ayuda a prevenir que el cable de extensión del control del motor/cuchilla se desconecte.

BOTON DE REAJUSTE DEL CORTACIRCUITO - usado para reajustar el cortacircuitos (el cortacircuitos previene que la máquina sea sometida a demasiada fuerza).

- **CONTROL DEL MOTOR/CUCHILLA** - consiste de dos partes, la palanca de control del motor/cuchilla y el botón de arranque.
- **Palanca de control del motor/cuchilla** - debe de mantenerse contra el mango para poder encender y funcionar el motor y la cuchilla.
- **Botón de Arranque** - debe ser inclinado para poder enganchar la palanca de control del motor/cuchilla.

ANTES DE USAR SU CORTACÉSPED, DE NUEVO HAGA REFERENCIA A LAS "NORMAS DE SEGURIDAD" DE LA PAGINA 2 DE ESTE MANUAL. TENGA SIEMPRE CUIDADO.

La operación de cualquier cortacésped puede hacer que objetos salgan volando y que sean tirados a los ojos, lo que puede resultar en daño severo. Siempre use gafas de seguridad o resguardado antes de encender cualquier herramienta o mientras que este haciendo ajustes o reparaciones. Recomendamos la Mascarara Ancha Protectora sobre gafas o anteojos de seguridad disponibles a través de Sears.



COMO UTILIZAR SU CORTACÉSPED

ADVERTENCIA: NO OPERE ESTE CORTACÉSPED CON LA PUERTA DE DESCARGA TRASERA ABIERTA, AL MENOS QUE EL COLECTOR DE CÉSPED ESTE EN SU LUGAR. NO OPERE EL CORTACÉSPED SIN LA PROTECCION EN LA PARTE TRASERA DE LA PLATAFORMA.

ADVERTENCIA: ASEGURESE DE QUE NO HAYAN PIEDRAS, RAMAS, CABLES U OTROS OBJETOS QUE PUEDEN DANAR EL CORTACÉSPED O EL MOTOR. TALES OBJETOS PUEDEN SER ACCIDENTALMENTE ARROJADOS POR LA DIRECCION Y CAUSAR SERIAS LESIONES AL OPERADOR Y A OTROS.

ADVERTENCIA: PARA PREVENIR EL CHOQUE ELECTRICO, NO OPERE EL CORTACÉSPED EN SITIOS HUMEDOS.

PARA PARAR EL MOTOR Y LA CUCHILLA

- Suelte la palanca de control del motor/cuchilla para parar el motor. (Escuchará un ruido alto, siendo el resultado de deceleración del motor eléctrico. Chispas enciende del motor, dentro de la cubierta del motor, también es normal durante la deceleración.)

ADVERTENCIA: LA CUCHILLA CONTINUA GIRANDO POR UNOS SEGUNDOS DESPUES DE APAGAR EL MOTOR. SI EL MOTOR NO PARA INMEDIATAMENTE CUANDO EL DE CONTROL DEL MOTOR/CUCHILLA SE SUELTA, LLAME A UN CENTRO DE SERVICIO AUTORIZADO.

PARA ENCENDER EL MOTOR Y ENGANCHAR LA CUCHILLA

Colocado detrás de la unidad, incline el botón de arranque en la palanca de control del motor/cuchilla. Tire la palanca de control hacia arriba contra el mango. Suelte el botón de arranque.

REPARAR INMEDIATAMENTE.

ADVERTENCIA: SI USTED GOLPEA ALGUN OBJETO, PARE EL MOTOR, DESCONECTE LA FUENTE DE ENERGIA E INSPECCIONE BIEN EL CORTACÉSPED A VER SI HAY DANOS Y REPARER EL DAÑO ANTES DE VOLVER A ENCENDER Y OPERAR LA MAQUINA. LA VIBRACION EXCESIVA DURANTE LA OPERACION EN UNA SENAL DE DAÑO. LA UNIDAD SE DEBE INSPECCIONAR Y REPARAR INMEDIATAMENTE.

PARA PARAR EL MOTOR Y LA CUCHILLA

Suelte la palanca de control del motor/cuchilla para parar el motor. (Escuchará un ruido alto, siendo el resultado de deceleración del motor eléctrico. Chispas enciende del motor, dentro de la cubierta del motor, también es normal durante la deceleración.)

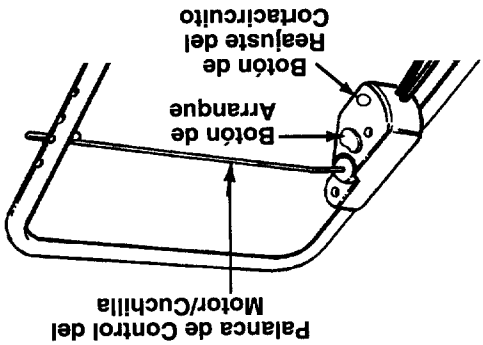


FIGURA 5.

ENSAMBLAJE

UNION DEL COLECTOR DE CESPED AL (CORTACEPED

Levante la puerta de descarga trasera del cortacésped. Asegúrese de que el deflector de trituración se haya quitado. Coloque los ganchos en el colector de césped en las hendiduras del soporte del mango. Vea la figura 3. Suelte la puerta de descarga trasera.

Para quitar el colector de césped, levante la puerta de descarga trasera del cortacésped. Levante el colector de césped, saque los de las hendiduras del soporte del mango. Suelte la puerta de descarga trasera.

ADVERTENCIA: NUNCA OPERE EL CORTACEPED AL MENOS DE QUE LOS GANCHOS EN EL COLECTOR DE CESPED ESTEN SITUADOS EN LAS HENDIDURAS DEL SOPORTE DEL MANGO Y LA PUER A DE DESCARGA TRASERA ESTE FIRME CONTRA LA PARTE SUPERIOR DEL COLECTOR DE CESPED.



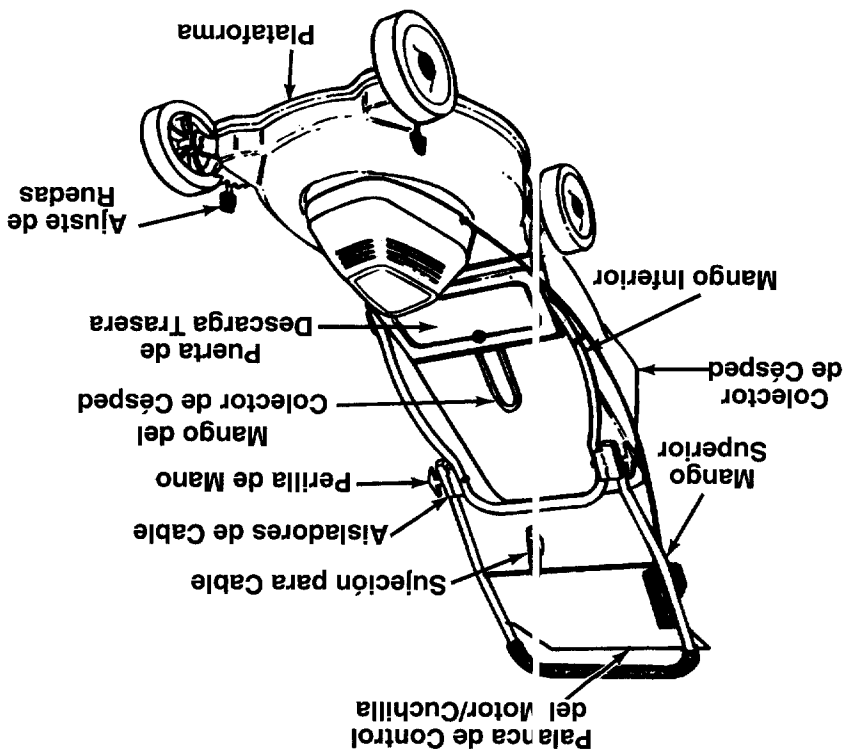
OPERACION

CONOZCA SU CORTACEPED

LEA ESTE MANUAL Y LAS NORMAS DE SEGURIDAD ANTES DE PONER SU MÁQUINA EN FUNCIONAMIENTO. Compare las ilustraciones con su cortacésped para familiarizarse con la localización de varios controles y ajustes. Guarde este manual para futuro uso.



FIGURA 4.



CUMPLE CON LOS REQUISITOS DE SEGURIDAD DE CUCHILLAS CPSC

Los Cortacésped Sears "Camina-Detrás" cumplen con los requisitos de seguridad de American National Standards Institute, Underwriters Laboratories, Inc. y la U.S. Consumer Product Safety Commission. La cuchilla gira cuando el motor está encendido.

ENSAMBLAJE

PARA SACAR LA MÁQUINA DE LA CAJA

Quite el material añadido de empaque (si lo hay). Saque el cortacésped del cartón o corte los cuatro lados del cartón. Asegúrese de sacar todas las piezas e información del cartón antes de botar la caja.

COMO MONTAR SU CORTACÉSPED

● Quite cualquier pieza de cartón de empaque que puede estar entre los mangos.

● Tire hacia arriba y atrás el mango inferior. Pivote el mango superior hacia arriba para levantarlo a la posición de operación. Vea la figura 1.

● El mango superior se puede ajustar a tres diferentes posiciones de altura. Para seleccionar la altura deseada, alinee una de las tres marcas en la parte de arriba de los aisladores del mango inferior con la marca en los aisladores del mango superior.

● Quite las presas del agujero exterior en los pasadores soldados en los soportes del mango. Coloque la prensa en el agujero interno.

NOTA: El agujero exterior en el pasador soldado es para el almacenaje. La prensa debe colocarse en el agujero interno para la operación.

IMPORTANTE: SU CORTACÉSPED SE ENVIA CON EL DEFLECTOR DE TRITURACION EN SU LUGAR. EL DEFLECTOR PERMITE QUE LA CUCHILLA CORTE Y RECORTE LOS TROZOS DE CÉSPED A PARTICULAS PEQUEÑAS, DEVOLVIENDOLAS AL CÉSPED COMO NUTRIENTES PARA LA TIERRA.

SI USTED DESEA RECOGER EL CÉSPED EN VES DE TRITURARLO Y DEVOLVERLO A LA TIERRA, SIMPLEMENTE LEVANTE LA PUERTA DE DESCARGA TRASERA Y quite EL DEFLECTOR DE TRITURACION POR LA PARTE TRASERA DE LA PLATAFORMA JALANDOLO HACIA AFUERA. LUEGO ENSAMBLE Y COLOQUE EL COLECTOR DE CÉSPED DE LA SIGUIENTE MANERA.

ENSAMBLAJE DEL COLECTOR DE CÉSPED

NOTA: Asegúrese de que la bolsa para césped este con el lado derecho hacia afuera antes del ensamblaje (la etiqueta de advertencia estará en el lado de afuera).

● Una el bastidor trasero con el frontal tal como se demuestra en la figura 2A. Una ambos bastidores completamente.

● Coloque la bolsa sobre el bastidor (el lado negro plástico en el fondo de la bolsa) de manera que el mango esté afuera de la bolsa. Deslice las aberturas en el lado del canal plástico en la bolsa sobre los ganchos en el bastidor del colector de césped.

NOTA: Puede ser necesario tener que jalar el borde de la tela lejos del canal de plástico para poder ver la abertura.

● Fije la bolsa al bastidor colocando los canales de plástico de la bolsa sobre el bastidor tal como se demuestra en la figura 2B. Todos los canales plásticos excepto la parte superior central se unen por el lado de afuera de la bolsa. La parte superior central se une por dentro de la bolsa.

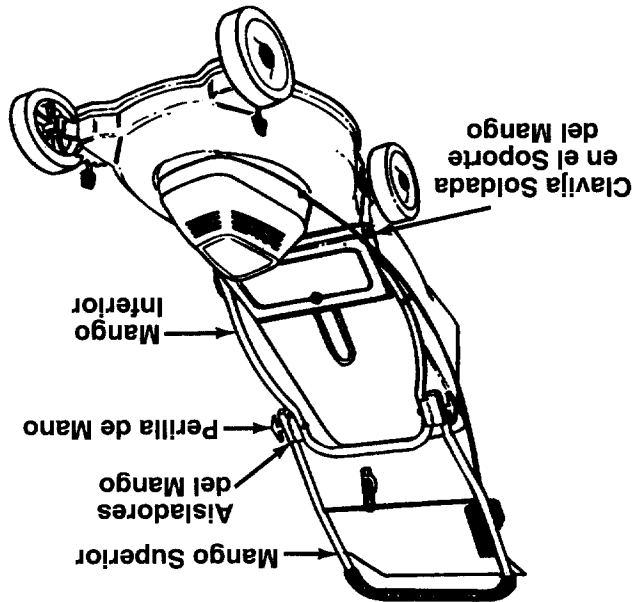


FIGURA 1.

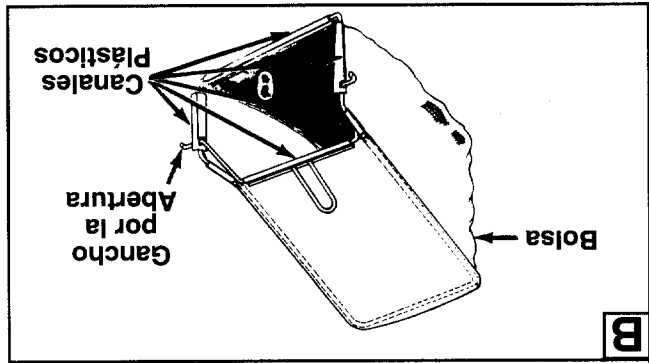
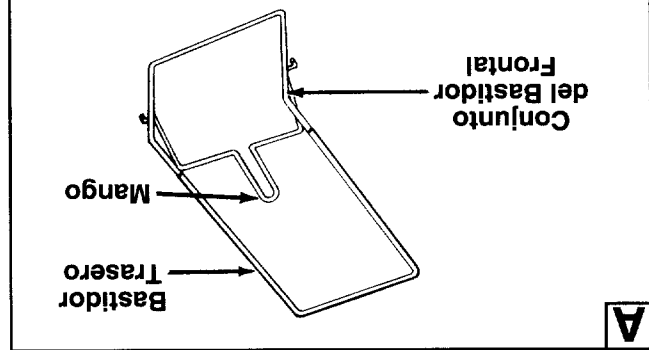


FIGURA 2.




OPERACION.....	7-10
RESPONSABILIDADES DEL PROPIETARIO.....	10-12
MANTENIMIENTO Y AJUSTES.....	12
ALMACENAMIENTO.....	12
LOCALIZACION DE FALLAS.....	13
PIEZAS DE REPUESTO.....	13
MEDICION DE PENDIENTES.....	14
REGLAS DE SEGURIDAD.....	2, 3
ESPECIFICACIONES DEL PRODUCTO.....	4
ACUERDO DE MANTENIMIENTO.....	4
RESPONSABILIDADES DEL PROPIETARIO.....	4, 10-12
GARANTIA.....	4
ACCESORIOS.....	5
ENSAMBLAJE.....	6, 7

TABLA DE MATERIAS

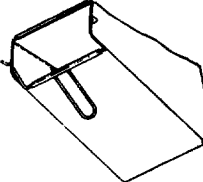

ACCESORIOS DEL CORTACESPED

Estos accesorios eran disponibles en el momento de compra del cortacésped. También son disponibles en la mayoría de los centros, catálogos y centros de servicio Sears. La mayoría de las tiendas Sears pueden hacerle el pedido, cuando usted proporciona el número del modelo de su cortacésped.

MANTENIMIENTO DEL CORTACESPED

		
Ruedas	Adaptador de Cuchilla	Cuchilla (Pieza No. 742-0719)

FUNCIONAMIENTO DEL CORTACESPED

	
Bolsa para Césped (Pieza No. 764-0447)	Cable de Extensión

SEARS, ROEBUCK AND CO. DEPT. 817WA, HOFFMAN STATES, IL 60179

GARANTIA COMPLETA DE UN AÑO PARA LA CORTACÉSPED A GASOLINA CRAFTSMAN

Por un año desde la fecha de compra cuando esta Cortacésped Craftsman sea mantenida, lubrificada y puesta a punto de acuerdo con las instrucciones de operación y mantenimiento en el manual del operador, Sears reparará libre de costo cualquier defecto de material o de mano de obra.

Esta garantía excluye las cuchillas y adaptadores de las cuchillas que son partes descartables y se gastan durante el uso normal.

Esta garantía se aplica por 30 días solamente desde la fecha de compra, si esta cortacésped se usa para fines comerciales o de alquiler.

ESTA DISPONIBLE EL SERVICIO DE GARANTIA CONSULTANDO CON EL CENTRO DE SERVICIO SEARS MAS CERCANO EN LOS ESTADOS UNIDOS. ESTA GARANTIA SE APLICA SOLAMENTE MIENTRAS ESTE PRODUCTO ESTE EN USO EN LOS ESTADOS UNIDOS.

Esta garantía le otorga derechos legales específicos y usted puede también tener otros derechos que varían de Estado a Estado.

GARANTIA

- RESPONSABILIDADES DEL PROPIETARIO**
- Leer y observar las reglas de seguridad.
 - Observar un programa regular para mantener, cuidar, y usar su cortacésped.
 - Observar las instrucciones bajo "Responsabilidades del Propietario" y "Almacenamiento" de este Manual del Operador.

SE ENCONTRARAN EL MODELO Y EL NUMERO DE SERIE EN EL ROTULO PEGADO AL CUERPO DE LA CORTACÉSPED.

USTED DEBERIA REGISTRAR AMBOS: EL NUMERO DE SERIE Y LA FECHA DE COMPRA Y GUARDARLO EN UN LUGAR SEGURO PARA REFERENCIA FUTURA.

NUMERO DE	MODELO
247.370252	
NUMERO DE	SERIE
COMPRA	FECHA DE

Esta disponible para este producto un Acuerdo de Mantenimiento de Sears. Por detalles consulte a su tienda Sears más cercana.

ACUERDO DE MANTENIMIENTO

Volaje	110 - 120 AC
Amperaje	12
HZ:	60
Momento torsional	450-600
del Perno de la Cuchilla	450-600
	puigadas libras

ESPECIFICACIONES DEL PRODUCTO

FELICITACIONES por su compra de una Cortacésped Craftsman Sears. Ha sido diseñada, concebida y fabricada para proporcionarle la confiabilidad y el funcionamiento mejor posible.

Por favor consulte con su Centro/Departamento de Servicio Sears más cercano si experimenta algún problema que no puede solucionar fácilmente. Tenemos técnicos competentes y bien entrenados, y las herramientas apropiadas para servir o reparar esta unidad.

Por favor lea y guarde este manual. Las instrucciones le permitirán armar y mantener apropiadamente su cortacésped. Observe siempre las "REGLAS DE SEGURIDAD".

NORMAS DE SEGURIDAD (Continuación)

- No opere este cortacésped con la puerta del canal abierta, al menos que todo el colector de césped o el deflector lateral este montado adecuadamente en el cortacésped.

MANTENIMIENTO Y ALMACENAJE

- **Advertencia** - Desconecte el cable eléctrico del toma de corriente antes de dar mantenimiento al cortacésped.
- Revise a cuchilla y los pernos de montaje con frecuencia para asegurar que estén apretados. Mantenga todas las tuercas, pernos y tornillos apretados para asegurar que el equipo este en buena condición de funcionamiento.
- Mantenga la cuchilla afilada.
- Use las cuchillas de repuesto idénticas solamente. Reemplace el cable dañado.
- Para evitar el peligro de incendio, mantenga el motor limpio, sin césped, hojas o grasa excesiva.
- Almacene el cortacésped en marcha en vacío bajo techo cuando no este en uso. Permita que el motor enfríe antes de almacenarlo. El cortacésped se debe almacenar en un lugar bajo techo seco, al o cerrado, lejos del alcance de los niños.
- Mantenga la cuchilla con cuidado. Mantenga la cuchilla con filo y limpia para obtener mejores resultados. **Siga las instrucciones sobre lubricación y cambio de accesorios.**
- Revise la bolsa para césped a menudo para ver si se está deteriorando o desgastado. Reemplace la bolsa si está en mala condición inmediatamente. Asegúrese de que la bolsa cumpla con las especificaciones originales del equipo.
- **CORTACÉSPED AISLADO DOBLE**

DOBLE AISLAMIENTO ES UN CONCEPTO DE SEGURIDAD EN LOS CORTACÉSPED ELÉCTRICOS, EL CUAL ELIMINA LA NECESIDAD DEL CABLE ELÉCTRICO A TIERRA TRADICIONAL DE TRES ALAMBRES Y EL SISTEMA DE ABASTECIMIENTO A TIERRA. EN CUALQUIER PARTE DEL CORTACÉSPED DONDE HAY CORRIENTE, HAY DOS CONJUNTOS COMPLETOS DE AISLAMIENTO PARA PROTEGER AL USUARIO. TODAS LAS PARTES DE METAL EXPUESAS SON AISLADAS DE LOS COMPONENTES DE METAL INTERNO; DEL MOTOR CON AISLAMIENTO PROTECTOR.

IMPORTANTE - MANTENIMIENTO DE UN CORTACÉSPED CON DOBLE AISLAMIENTO REQUIERE DEMASiado CUIDADO Y CONOCIMIENTO DEL SISTEMA Y DEBE EFECTUARSE SOLAMENTE POR UN TÉCNICO CALIFICADO. PARA MANTENIMIENTO SUGERIMOS QUE LLEVE LA MÁQUINA A SU CENTRO DE SERVICIO MAS CERCANO PARA EFECTUAR REPARACIONES. USE SIEMPRE REPUESTOS ORIGINALES DE LA FABRICA.

GUARDE ESTAS INSTRUCCIONES

- No mate el cable - nunca tire el cortacésped del cable ni lo jale para desconectarlo del receptáculo. Mantenga el cable lejos del calor, aceite y bordes filosos.
- Si el cable se daña de algún modo mientras está conectado, desconecte el cable de extensión del receptáculo de la casa.
- Mantenga las manos y los pies alejados de la abertura de movimiento. Manténgase siempre alejado de la abertura de descarga ya que la cuchilla giratoria puede causar daño.
- Pare el motor si va a dejar la máquina sola y antes de cruzar caminos de grava, aceras o carreteras.
- Después de golpear algún objeto, apague el motor y asegúrese de que todas las piezas en movimiento se hayan detenido completamente. Desconecte el cable eléctrico para evitar el arranque accidental y luego inspeccione bien a ver si la máquina ha sufrido daño. Tal daño debe repararse antes de volver a encender y usar el cortacésped.
- Si la unidad empieza a vibrar fuera de lo normal, detenga el motor y revise inmediatamente a ver cual es la causa.
- Generalmente, la vibración indica que hay algún problema. Pare el motor, desconecte el cable eléctrico y espere hasta que la cuchilla cese su movimiento antes de limpiar, desatascar, reparar o inspeccionar el cortacésped. La cuchilla continua girando por unos segundos después de apagar el motor.
- No estire el cortacésped. Funcionara mejor y más seguro al paso al cual fue diseñado. Use el aparato adecuado - No use el cortacésped para ninguna otra labor excepto para la cual ha sido creado.
- Corte a través de la superficie de las pendientes; nunca de arriba a abajo. Nunca corte el césped tirando la máquina hacia usted. Tenga mucho cuidado al usar la máquina en terreno desnivelado o al cambiar dirección en pendientes. No corte el césped en pendientes demasiado empinadas. No trate de alcanzar demasiado lejos - mantenga buena posición y equilibrio en todo momento. Un resbalón o caída puede causar serias lesiones.
- Nunca opere el cortacésped sin los resguardos, placas u otros dispositivos de seguridad adecuados en su lugar y en buena condición de operación.
- El control del motor/cuchilla en este cortacésped se instala para minimizar el riesgo de contacto con la cuchilla tal como es requerido por las reglas federales. No trate de alterar bajo ninguna circunstancia la función del control del motor/cuchilla.
- Para evitar el peligro de choque eléctrico, nunca pase el cortacésped sobre el cable. No corte el césped en circuitos Siempre toma de corriente al cual está conectado el cable. Esto mantendrá el cable en el área ya cortada y fuera de alcance.
- No use el cortacésped si se ha caído o dañado de alguna manera. Lleve la máquina al centro de servicio autorizado más cercano. El uso de accesorios no recomendados por el fabricante del cortacésped puede ser peligroso.

OPERACION

ADVERTENCIA: El Escape del Motor de este producto contiene químicos que de acuerdo al Estado de California causan cáncer, defectos de nacimiento u otros problemas de reproducción.

NORMAS DE SEGURIDAD

ESTE SIMBOLO INDICA INSTRUCCIONES IMPORTANTES PARA SU SEGURIDAD. ESTAS INSTRUCCIONES SE DEBEN SEGUIR RIGOROSAMENTE PARA EVITAR PELIGROS PARA EL OPERADOR Y PARA OTROS. LEA Y SIGA TODAS LAS INSTRUCCIONES QUE SE ENCUENTRAN EN ESTE MANUAL ANTES DE INTENTAR OPERAR SU CORTACESPED. CUANDO VEA ESTE SIMBOLO—**PRESTE ATENCION A SU ADVERTENCIA.**

PELIGRO: Su cortacésped eléctrico fue diseñado para ser operado según las normas de seguridad que se encuentran en este manual. Al igual que con cualquier otro equipo eléctrico, error o falta de cuidado por parte del operador puede resultar en serias lesiones. Si usted infringe cualquiera de estas normas, puede causar serias lesiones a usted o a otras personas.

ADVERTENCIA: Cuando se usan cortacéspedes eléctricos, siempre se deben seguir las precauciones básicas de seguridad para reducir los riesgos de incendio, choque eléctrico y lesiones, incluyendo lo siguiente:

- Lea este manual cuidadosamente y por completo antes de tratar de ensamblar esta máquina. Familiarícese con los controles y el uso adecuado de esta máquina antes de ponerla en funcionamiento. Mantenga este manual en un lugar seguro para poder consultarlo con frecuencia y para hacer los pedidos de repuestos.
- Su cortacésped con motor rotativo es una máquina de precisión, no un juguete. Por lo tanto, es necesario manejarlo con mucha precaución en todo momento.
- Use el aparato adecuado - No use el cortacésped para ninguna otra labor excepto para la cual ha sido creado.
- No permita que ningún niño opere una máquina de este tipo. Solamente personas que están familiarizadas con estas normas de seguridad deben utilizarla.
- Ninguna persona debe utilizar el cortacésped si esta bajo la influencia de alcohol o drogas o si esta tomando algún medicamento que puede impedir los sentidos o reacciones.
- Manténgase Alerta - Ponga atención a lo que está haciendo. Tenga sentido común. No use el cortacésped si está cansado.
- Mantenga el área de trabajo libre de objetos, personas y animales domésticos. Pare el motor si están cerca de su cortacésped. A pesar de que el área de operación debe estar limpia de objetos, existe la posibilidad de que cualquier cosa pasada por alto sea arrojada y cause lesiones al operador u otras personas en la cer-

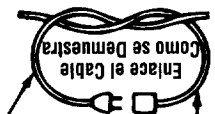
PREPARACION

- Inspeccione cuidadosamente el área en el cual va a trabajar, quitando ramitas, alambres, huesos, juguetes u otros objetos que puedan ser arrojados por la máquina y cause lesiones serias al operador o a otras personas.
- Use siempre anteojos protectores mientras opere, repare o ajuste la máquina para proteger los ojos contra la materia que puede ser arrojada. Siempre use una mascarilla guardapolvo si la operación es polvorosa.
- Vista de manera apropiada. Use zapatos de suela gruesa. No opere la unidad descalzo, con sandalias o tenis. No use ropa suelta ni alifolios de ningún tipo, ya que se pueden atorar en la máquina. Se recomienda usar guantes y zapatos de goma al trabajar afuera.
- Nunca trate de efectuar ajustes de la altura de corte o las ruedas cuando el motor este encendido.
- Corte el césped solamente a la luz del día o bajo buena luz artificial.
- Evite Peligros Ambientales - Nunca opere el equipo bajo la lluvia o en sitios húmedos. Vea como tiene colocados los pies. Un resbalón o caída pueda causar serias lesiones. Agárrese bien del mango y camine sin correr. No trate de alcanzar demasiado lejos - manténgase en buena posición y equilibrio todo el tiempo.

- Advertencia - Para prevenir el choque eléctrico use solamente con un cable de extensión UL adecuado para el uso al aire libre tal como Tipo SW-A, SOW-A, STOW-A, SJW-A, SJOW-A, SOTOW-A.
- Cable de extensión - asegúrese de que este en buena condición, que sea extra fuerte para aguantar la corriente que su cortacésped usará y que sea polarizado (una cuchilla del enchufe es más ancha que la otra). Se debe usar un cable de 100' de longitud de 14 AWG. Este se puede sustituir por cable de 50' de longitud de 16 AWG. Para aplicaciones en las que se necesita cable más largo, se puede usar un cable de 150' de longitud de 12 AWG. Un cable más pequeño causará una baja en el voltaje resultando en la pérdida de energía o en recalentamiento. Para reducir la posibilidad de desconectar el cable del cortacésped, asegúrese de usar la sujeción del cable suministrado o haga un nudo tal como se demuestra en la ilustración de la siguiente columna.



Conecte el Enchufe y Receptáculo



Cable de Extensión Enlace el Cable Como se Demuestra Cable del Artercio

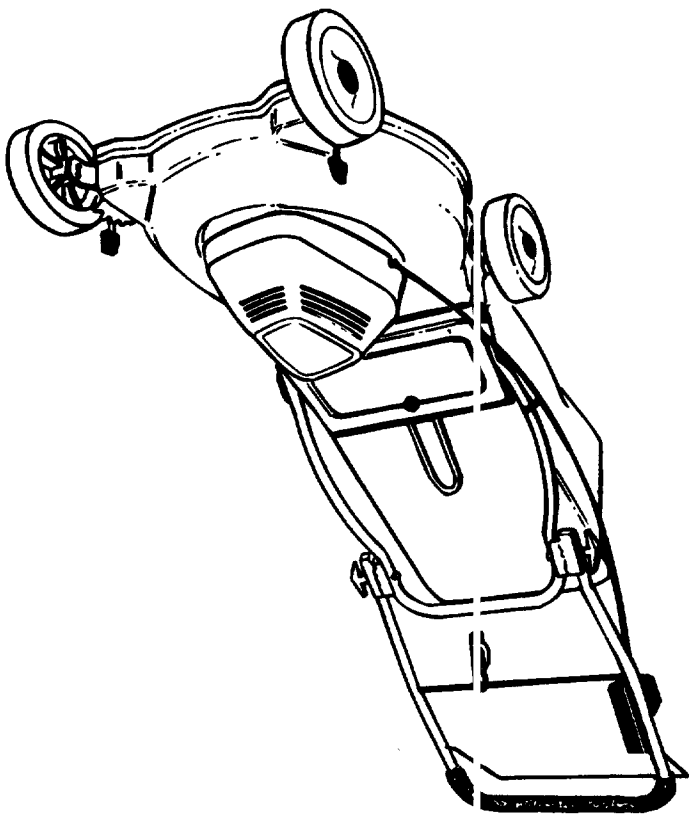
- Para reducir el peligro de choque eléctrico, su cortacésped esta equipado con un enchufe polarizado (una cuchilla es más grande que la otra). Si el toma de corriente al final de su cable de extensión no cabe completamente en el enchufe de su máquina, devuelva al toma de corriente y trate de conectarlo otra vez. Lo mismo se debe hacer con el otro extremo del cable de extensión con el toma de corriente de su casa. Si después de darles vuelta aun no cabe, llame a un electricista calificado para que instale el toma y/o enchufe adecuado. No cambie el enchufe del cortacésped para nada.
- Inspeccione el cable de extensión a menudo y reemplácelo si está dañado. Mantenga los cogedores secos, limpios y sin aceite o grasa.
- Fusibles - El cortacésped se debe operar en un circuito de 15 o 20 AMP. Si nota dificultad al arrancar con un fusible o cortacircuitos estándar de 15 AMP, llame a su centro de servicio autorizado. No use un fusible de mayor potencia sin antes consultar con la compañía eléctrica.
- Se debe suministrar un Interruptor Accionado por Corriente de Pérdida a Tierra (GFI) en los circuitos y toma de corrientes que se van a usar para el cortacésped. Hay receptáculos disponibles con GFI y se pueden usar para esta medida de seguridad.
- Para su seguridad, use el clisímetro incluido con este manual para medir las pendientes antes de poner en operación esta unidad en un terreno pendiente o montañoso. Si el terreno pendiente es mayor a los 15 grados, tal como se demuestra en el clisímetro, no use esta unidad en esa área ya que puede resultar en serias lesiones.

SEARS, ROEBUCK AND CO., Hoffman Estates, IL 60179 U.S.A.

Ensamblaje
Operación
Responsabilidades del Propietario
Mantenimiento y Ajustes
Piezas de Reparación

110V 12AMP ELÉCTRICO
DOBLE AISLADO
19" DESCARGA TRASERA
CORTACEPED - TRITURADOR

CRAFTSMAN®



Precaución:
Lea y observe
todas las reglas
y instrucciones
de seguridad antes
de operar este
equipo

SEARS
MANUAL DEL
PROPIETARIO
NUMERO DE
MODELO
247.370252

Free Manuals Download Website

<http://myh66.com>

<http://usermanuals.us>

<http://www.somanuals.com>

<http://www.4manuals.cc>

<http://www.manual-lib.com>

<http://www.404manual.com>

<http://www.luxmanual.com>

<http://aubethermostatmanual.com>

Golf course search by state

<http://golfingnear.com>

Email search by domain

<http://emailbydomain.com>

Auto manuals search

<http://auto.somanuals.com>

TV manuals search

<http://tv.somanuals.com>