

SEARS Owner's Manual

CRAFTSMAN

110 VOLT 12 AMP ELECTRIC
DOUBLE INSULATED
19" REAR DISCHARGE
MULCHING LAWN MOWER

Model No.

247.370253

18A-407-099



CAUTION: Before using this product, read this manual and follow all Safety Rules and Operating Instructions.



This symbol on the product's nameplate means it is listed by UNDERWRITERS LABORATORIES INC.

Sears, Roebuck And Co., Hoffman Estates, IL 60179, U.S.A.

TABLE OF CONTENTS

Content	Page	Content.....	Page
Warranty Information.....	2	Maintenance.....	12
Safe Operation practices.....	3	Service & Adjustment	15
Slope Gauge	6	Off-Season Storage.....	15
Assembly	7	Trouble-Shooting.....	16
Operation	9	Repair Parts.....	17

WARRANTY INFORMATION

One-Year Warranty on Craftsman Lawn Mower

For one year from the date of purchase, when this Craftsman lawn mower is maintained, lubricated, and tuned up according to the operating and maintenance instructions in the operator's manual, Sears will repair, free of charge, any defect in material or workmanship.

This warranty excludes the mower blades and blade adapters, which are expendable parts and become worn during normal use.

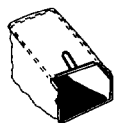
If this lawn mower is used for commercial or rental purposes, this warranty applies for only 30 days from the date of purchase.

WARRANTY SERVICE IS AVAILABLE BY CONTACTING THE NEAREST SEARS SERVICE CENTER IN THE UNITED STATES. THIS WARRANTY APPLIES ONLY WHILE THIS PRODUCT IS IN USE IN THE UNITED STATES.

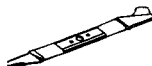
This warranty gives you specific legal rights, and you may also have other rights which vary from state to state. SEARS, ROEBUCK AND CO., D/817WA, HOFFMAN ESTATES, IL 60179

ACCESSORIES

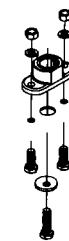
These accessories were available when the mower was purchased. They are also available at most Sears retail outlets, catalog and service centers. Most Sears stores can order repair parts for you when you provide the model number of your snow thrower.



Grass Bag
(Part No. 764-0447)



Blade
(Part No. 742-0719)



Blade Adapter



Wheels

Extension Cord
(Not Shown)

PRODUCT SPECIFICATIONS:	
Voltage:	110-120 volts AC
Amperage:	12 amps.
Hz.:	60
Blade Bolt Torque:	450-600 in. lbs.

Model Number

Serial Number.....

Date of Purchase

The model and serial numbers are on a label attached to the deck, near the right rear wheel. Record both serial number and date of purchase and keep in a safe place for future reference.

SAFE OPERATION PRACTICES



This symbol points out important safety instructions which, if not followed, could endanger the personal safety and/or property of yourself and others. Read and follow all instructions in this manual before attempting to operate your electric lawn mower. Failure to comply with these instructions may result in personal injury. When you see this symbol—**heed its warning.**



DANGER:

Your electric lawn mower was built to be operated **according to the rules for safe operation in this manual.** As with any type of power equipment, carelessness or error on the part of the operator can result in serious injury. **If you violate any of these rules, you may cause serious injury to yourself or others.**



WARNING: When using electric lawn mowers, basic safety precautions should always be followed to reduce the risk of fire, electric shock, and personal injury, including the following:

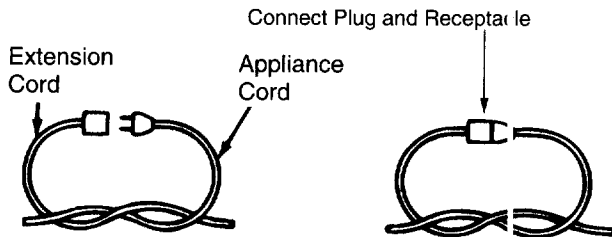
1. TRAINING

1. Read all instructions carefully in their entirety before attempting to assemble or operate this machine. Be completely familiar with the controls and the proper use of this machine before operating it. Keep this manual in a safe place for future and regular reference and for ordering replacement parts.
2. Your rotary mower is a precision piece of power equipment, not a plaything. Therefore, exercise extreme caution at all times.
3. Use Right Appliance—Do not use lawn mower for any job except that for which it is intended.
4. Never allow children to operate a power mower. Only persons well acquainted with these rules of safe operation should be allowed to use your mower.
5. No one should operate this unit while intoxicated or while taking medication that impairs the senses or reactions.
6. Stay Alert—Watch what you are doing. Use common sense. Do not operate lawn mower when you are tired.
7. Keep the area of operation clear of all persons, particularly small children and pets. Stop motor when they are in the vicinity of your mower. Although the area of operation should be completely cleared of foreign objects, an object may have been overlooked and could be accidentally thrown by the mower in any direction and cause serious personal injury to the operator or any others allowed in the area.

2. PREPARATION

1. Thoroughly inspect the area where the equipment is to be used. Remove all stones, sticks, wire, bones and other foreign objects which could be picked up and thrown by the mower in any direction and cause serious personal injury to the operator or any others allowed in the area.
2. Always wear safety glasses or eye shields during operation or while performing an adjustment or repair, to protect eyes from foreign objects that may be thrown from the machine in any direction. Always use face or dust mask if operation is dusty.
3. Dress properly. Wear sturdy, rough-soled work shoes. Never operate a unit in barefoot, sandals or sneakers. Do not wear loose clothing or jewelry. They can be caught in moving parts. Use of rubber gloves and footwear is recommended when working outdoors.
4. Never attempt to make a wheel or cutting height adjustment while the motor is running.
5. Mow only in daylight or in good artificial light.
6. Avoid Dangerous Environment—Never operate the equipment in the rain or in damp wet locations. Always be sure of your footing. A slip and fall can cause serious personal injury. Keep a firm hold on the handle and walk, never run. Do not over-reach—keep footing and balance at all times.
7. **Warning**—To prevent electric shock use only with a UL Listed extension cord set suitable for outdoor use, such as Type SW-A, SOW-A, STW-A, STOW-A, SJW-A, SJOW-A, SJTW-A, or SJTOW-A.
8. Extension Cord—Make sure your extension cord set is in good condition, is heavy enough to carry the current your mower will draw, and is

polarized (one blade of plug is wider than the other). A 100' length of 14 AWG extension cord should be used. An acceptable substitute is a 50' length of 16 AWG cord. In applications where a longer cord is needed, a 150' length of 12 AWG cord may be used. An undersized cord will cause a drop in line voltage resulting in loss of power and overheating. To reduce the likelihood of disconnection of the extension cord set from the lawn mower, be sure to use the cord restraint provided or make a knot as shown in the illustration below



9. To reduce the risk of electric shock, your mower is equipped with a polarized plug (one blade of plug is wider than the other). If the outlet on the end of your extension cord does not fit fully into the plug on your mower, reverse the outlet and try plugging it in again. The same is true for the end of the extension cord you plug into your house outlet. If after reversing the connections, either one still does not fit, contact a qualified electrician to install the proper outlet and/or plug. Do not change the plug on the mower in any way.
10. Inspect extension cord periodically and replace if damaged. Keep handles dry, clean, and free from oil and grease.
11. Fuses—The mower should be operated on a 15 or 20 AMP circuit. If you experience difficulty in starting with a standard 15 AMP fuse or circuit breaker, contact your nearest authorized service location. Do not use a higher rated fuse without consulting your power company.
12. Ground Fault Circuit Interrupter (GFCI) protection should be provided on the circuit(s) or outlet(s) to be used for the lawn mower. Receptacles are available having built-in GFCI protection and may be used for this measure of safety.
13. For your safety, use the slope gauge included as part of this manual to measure slopes before operating this unit on a sloped or hilly area. If the slope is greater than 15° as shown on the slope gauge, do not operate this unit on that area or serious injury could result.

3. OPERATION

1. Do not abuse cord—never pull lawn mower by cord or yank it to disconnect from receptacle. Keep cord from heat, oil, and sharp edges.
2. If extension cord is damaged in any manner while plugged in, disconnect extension cord from house receptacle.
3. Do not put hands or feet near or under rotating parts. Keep clear of the discharge opening at all times as the rotating blade can cause injury.
4. Stop the motor when you leave the mower and before crossing gravel drives, walks or roads.
5. After striking a foreign object, shut off the motor, make absolutely sure the blade and all moving parts have completely stopped, disconnect the power cord to prevent accidental starting, then thoroughly inspect the mower for any damage. Such damage must be repaired before restarting and operating the mower.
6. If the equipment should start to vibrate abnormally, stop the motor and check immediately for the cause. Vibration is generally a warning of trouble.
7. Stop the motor, unplug the power cord, and wait for the blade and all moving parts to stop before cleaning or unclogging, repairing or inspecting the mower. The cutting blade continues to rotate for a few seconds after the motor is shut off.
8. Do not force lawn mower. It will do the job better and safer at the rate for which it was designed. Use right appliance—Do not use lawn mower for any job except that for which it is intended.
9. Mow across the face of slopes, never up-and-down. Never cut grass by pulling mower toward you. Exercise extreme caution when operating mower on uneven terrain or changing direction on slopes. Do not mow excessively steep slopes. Don't overreach—Keep proper footing and balance at all times. A slip and fall can cause serious personal injury.
10. Never operate mower without proper guards, plates or other safety protective devices in place and in working order.
11. The blade/motor control on this mower is installed to minimize the risk of blade contact injury and is required by federal regulations. Do not under any circumstances attempt to defeat the function of the blade/motor control.
12. To avoid electric shock hazard, never push mower over cord. Do not mow around the lawn in circles. Always travel back and forth across the lawn, beginning at the point nearest the electric outlet to which the extension cord is

connected. This will keep the cord on the mowed area of the lawn and out of the way.

13. Do not operate mower after it has been dropped or damaged in any manner. Return mower to nearest authorized service location.
14. The use of accessory attachments not recommended by the mower manufacturer may cause hazards.
15. Do not operate this mower with the chute door open, unless the complete grass catcher or side chute deflector is properly mounted on the mower.

4. MAINTENANCE AND STORAGE

1. Warning—Disconnect power cord from electrical outlet before performing any maintenance or service on mower.
2. Check the blade and motor mounting bolts at frequent intervals for proper tightness. Keep all nuts, bolts, and screws tight to be sure the equipment is in safe working condition.
3. Keep blade sharp.
4. Use identical replacement blades only. Replace damaged cord.
5. To reduce fire hazard, keep the motor free of grass, leaves, or excessive grease.
6. Store idle lawn mower indoors when not in use. Allow motor to cool before storing in any enclosure. Lawn mower should be stored indoors in dry, high or locked-up place, out of reach of children.

7. Maintain lawn mower with care. Keep blade sharp and clean for best and safest performance. **Follow instructions for lubricating and changing accessories.**
8. Check the grass catcher bag frequently for wear or deterioration. Replace a worn or damaged bag immediately. Be sure replacement bag meets original equipment specifications.

5. DOUBLE INSULATED LAWN MOWER

1. Double insulation is a concept in safety in electric lawn mowers, which eliminates the need for the usual three-wire grounded power cord and grounded supply system. Wherever there is electric current in the mower, there are two complete sets of insulation to protect the user. All exposed metal parts are isolated from the internal metal motor components with protecting insulation.
2. **IMPORTANT**—Servicing of a lawn mower with double insulation requires extreme care and knowledge of the system and should be performed only by a qualified service technician. For repair service we suggest you return the lawn mower to your nearest authorized service dealer. Always use original factory replacement parts when servicing.

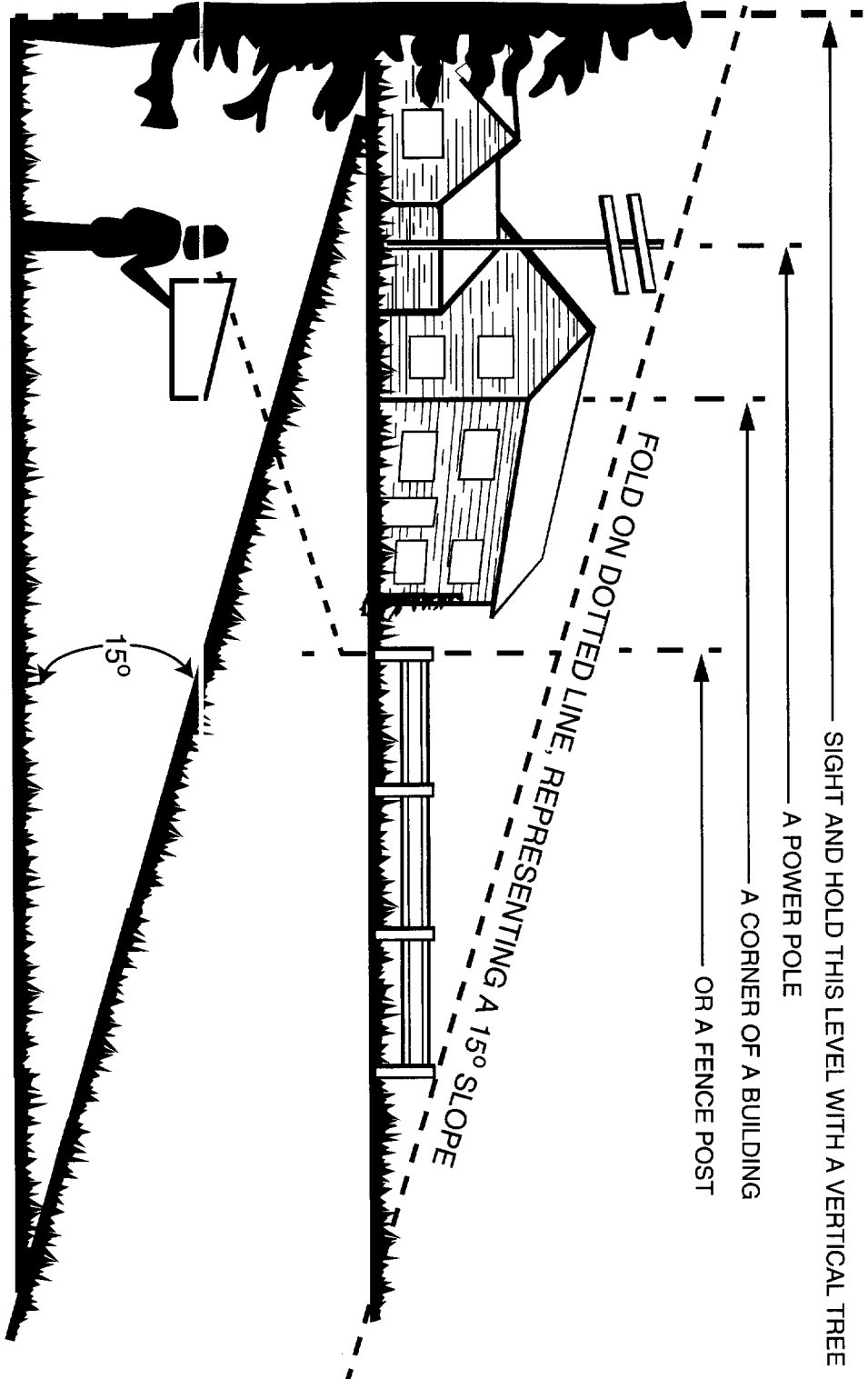
SAVE THESE INSTRUCTIONS FOR FUTURE REFERENCE.

You will find the two safety labels reproduced below, on your mower. Please follow instructions on these safety labels for safe operation of the mower.



SLOPE GAUGE

USE THIS PAGE AS A GUIDE TO DETERMINE SLOPES WHERE YOU MAY NOT OPERATE SAFELY:



WARNING

Do not mow on inclines with a slope in excess of 15 degrees (a rise of approximately 2-1/2 feet every 10 feet). A riding mower could overturn and cause serious injury. If operating a walk-behind mower on such a slope, it is extremely difficult to maintain your footing and you could slip, resulting in serious injury. Operate RIDING mowers up and down slopes, never across the face of slopes. Operate WALK-BEHIND mowers across the face of slopes, never up and down slopes.

ASSEMBLY

NOTE: Reference to right or left hand side of the mower is observed from the operating position.

You will have to use an extension cord, purchased separately, to run this unit. Please refer to page 10 for appropriate cord selection.

1. REMOVING UNIT FROM CARTON

- Remove staples, break glue on top flaps, or cut tape at carton end and peel along top flap to open carton.
- Remove loose parts if included with unit (i.e., owner's manual, etc.).
- Cut along dotted lines and lay carton down flat.
- Remove packing material.
- Roll or slide unit out of carton. Check carton thoroughly for loose parts.

2. LOOSE PARTS IN CARTON

Refer to Figure 1.

1. Grass Catcher Assembly:
 - a. Front Frame
 - b. Rear Frame
 - c. Bag
2. Owner's Manual (not shown)

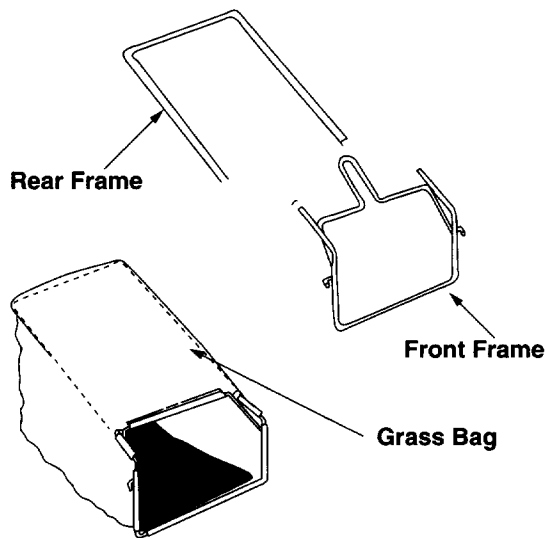


Figure 1

3. TOOLS REQUIRED

A pair of pliers



4. ASSEMBLING HANDLE

Refer to Illustration Below

- Remove any packing material which may be between the upper and lower handles for shipping purposes.
- Pull up and back on the upper handle to raise the handle into the operating position. Make certain the lower handle is seated securely into the handle mounting brackets. See steps 1, 2, and 3 in figure 2.

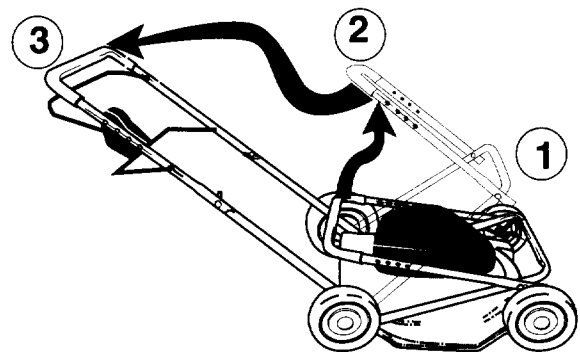


Figure 2

- The upper handle may be adjusted to three different height positions. To adjust the handle at the desired position, align one of the three marks on the top of the lower handle insulators with the mark on the upper handle insulators. See figure 3.
- Tighten the hand knobs on each side of the handle. Make sure that carriage bolts are seated properly into the handle insulators.

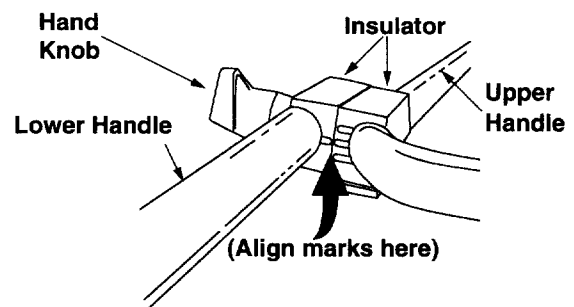


Figure 3

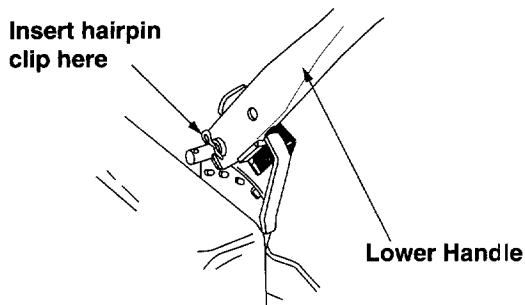


Figure 4

- Remove the hairpin clips from the outer hole in the weld pins on the handle mounting brackets.
- Using a pair of pliers, squeeze one leg of the lower handle against the handle mounting bracket. Insert the hairpin clip into the inner hole on the weld pin. Repeat on the other side. See figure 4.
- Make certain all nuts and bolts are tightened securely.

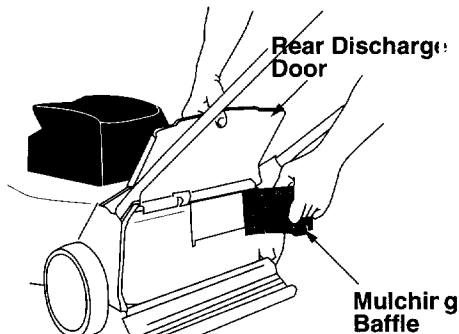


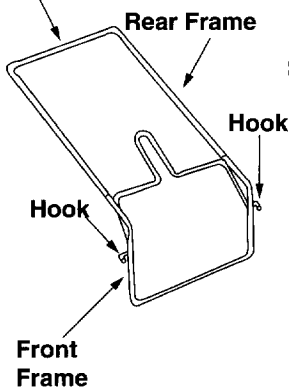
Figure 5

5. CONVERTING FROM MULCHER

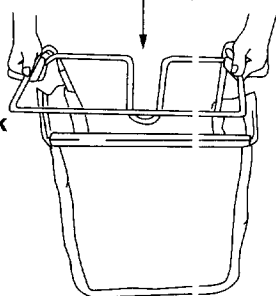
Your mower has been shipped as a mulcher with the mulching baffle in place. In order to use the mower as a rear discharge bagger unit, you will have to install the grass catcher.

- To remove the mulching baffle, lift the rear discharge door and pull the baffle out. See figure 5.
- To reinstall the mulching baffle, lift the rear discharge door and place the baffle in the opening.

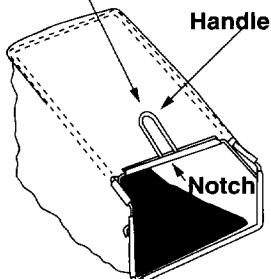
1. Slide front frame into rear frame



2. Place frame inside bag



3. Slip handle out of notch



4. Slip plastic channel over frame

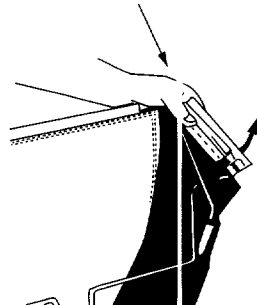


Figure 6

6. ASSEMBLING GRASS CATCHER

Note: Before assembling, make sure that the grass bag is turned right side out with the warning label on the outside. Also the black plastic side is the bottom of the bag.

- Insert the front frame into the rear frame as far as it will go.
- Place frame assembly inside the bag.
- Slip the plastic channel of the bag over the frame (adjacent to the handle of the grass catcher). See figure 6. Make sure that the handle of the grass catcher protrudes *out* of the notch in the plastic channel on bag.
- Insert the two hooks on both sides of the frame through the openings on both sides of the bag.
- Secure bag to the frame by working the plastic channels on bag over frame on the other sides as shown in figure.

Note: All of the plastic channel except center top of bag attach from the outside of bag. Center top of bag attaches from inside of bag.



Warning: Never operate the mower unless hooks on the grass catcher are seated in the slots on the handle bracket assemblies, and the rear discharge door rests firmly against the top of the grass catcher.

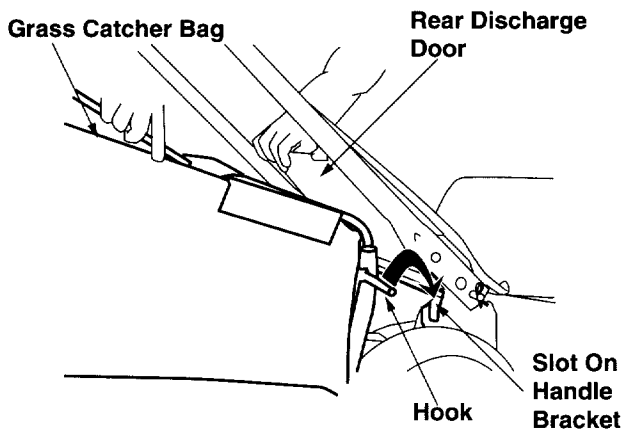


Figure 7

7. ATTACHING GRASS CATCHER

- Lift the rear discharge door on the mower and remove the mulching baffle. See figure 6.
- Place the hooks of the grass catcher into the slots in the handle bracket assembly on each side of the lower handle. See figure 7. Release the rear discharge door.

To remove the grass catcher, lift the rear discharge door on the mower. Lift the grass catcher up, out of the slots in the handle bracket assemblies. Release the rear discharge door.



WARNING: Do not operate this mower with the chute door open, **unless the complete grass catcher is properly mounted** on the mower.

OPERATION

1. KNOW YOUR LAWN MOWER

READ THIS OWNER'S MANUAL AND SAFETY RULES BEFORE OPERATING YOUR LAWN MOWER.

Compare the illustrations with your lawn mower to familiarize yourself with the location of various controls and adjustments. Save this manual for future reference.

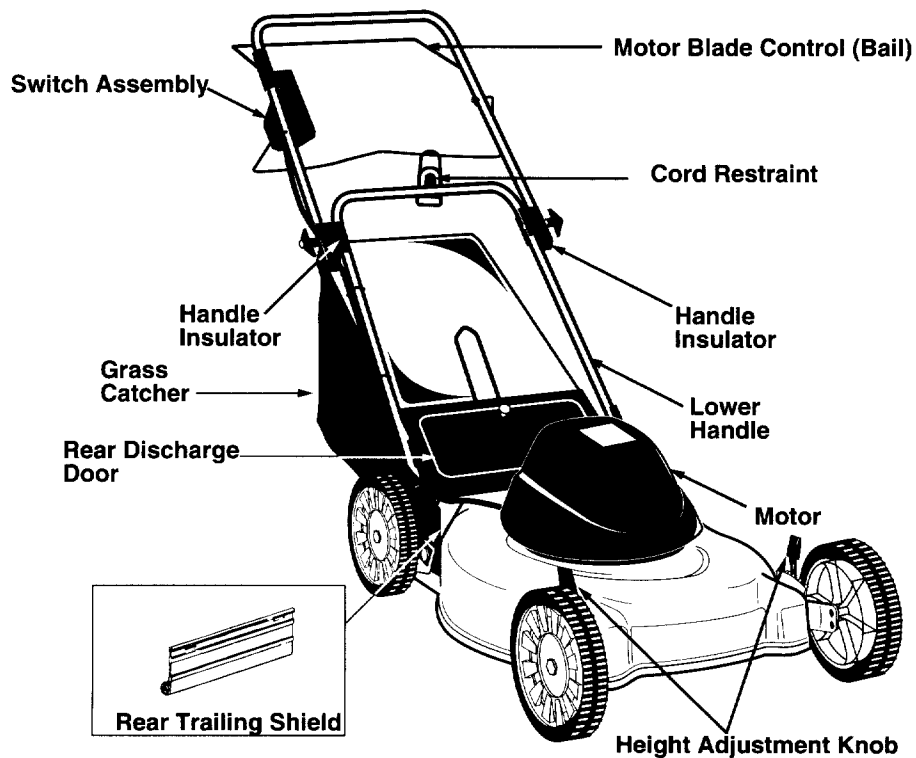


Figure 8

MEETS CPSC BLADE SAFETY REQUIREMENTS

Sears rotary walk-behind power lawn mowers conform to the safety standards of the American National Standards Institute and the U.S. Consumer Product Safety Commission. The blade turns when the motor is running.

Motor/Blade Control (Bail)



WARNING: Federal regulations require a motor/blade control to be installed on lawn mower in order to minimize the risk of blade contact injury. **DO NOT** under any circumstances attempt to defeat the function of the motor/blade control. **Never attempt to bypass** its operations.

NOTE: Your lawn mower is equipped with a motor/blade control which requires the operator to be positioned behind the lawn mower handle to start and operate the lawn mower.

The motor/blade control is located on the upper handle of the mower. See figure 8. The motor/blade control handle engages and disengages the motor and blade. The motor/blade control consists of two parts -- a starter button and a motor/blade control handle.

Rear Trailing Shield

The rear trailing shield, attached between the rear wheels of your mower, is provided to minimize the possibility that material will be discharged from beneath the blade enclosure into the operator zone. See figure 8.

Circuit Breaker

Your mower is equipped with a circuit breaker, located near the motor/blade control on the switch assembly. This circuit breaker may trip when too much strain is placed on the mower.

Starter Button

The starter button is located on the switch assembly. Standing behind the unit, depress the starter button and squeeze the motor/blade control handle against the upper handle. The motor will start; release the starter button once the motor starts.

Stopping the mower

Release the motor/blade control handle to stop the motor and the blade.



WARNING: The operation of any lawn mower can result in foreign objects being thrown into the eyes, which can result in severe eye damage. **Always wear safety glasses or eye shields.**

NOTE: The wheels on your unit are set in a low cutting height position for shipping purposes. For best results, raise the cutting position until it is determined which height is best for your lawn. See cutting height adjustment.

2. CORD CONNECTION

Cord Selection

IMPORTANT: A 100 feet length of **14 AWG** extension cord should be used. An acceptable substitute is a 50 feet length of 16 AWG cord. In applications where a longer cord is needed, a 150 -feet long **12 AWG** cord may be used. Using any other length or rating of cord will diminish the performance and possibly the life of the electric motor. In all cases, the extension cord should be a UL listed cord set suitable for outdoor use.

Cord Restraint

- Attach extension cord (not provided with unit) to the cord restraint as follows.
- Form a small loop in the extension cord. Allow enough excess cord to make the connection to the motor/blade control (approximately 20 inches).
- Slip the loop through the slot on the bottom of the cord restraint, and up over the tab, to prevent disconnection from the motor/blade control during operation.
- Keep the cord restraint as close to the motor/blade control as possible. See figure 9.

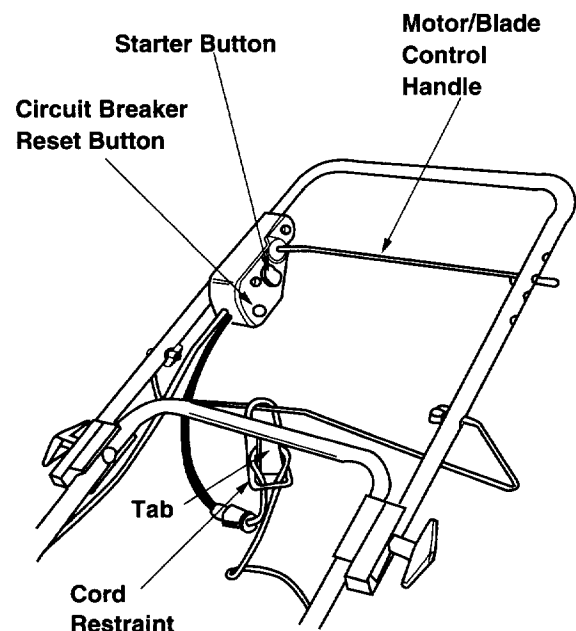


Figure 9

Connection to the Motor/Blade Control

- Connect the plug on the extension cord fully onto the plug on the mower. The mower is equipped with a polarized AC power plug (one blade of the plug is wider than the other), which will fit into the plug on the extension cord only one way. If

unable to make a full connection, try reversing the plug on the extension cord. Should the plugs still fail to fit, contact your service dealer for assistance. Do not defeat the safety purpose of the polarized plug.

Connection to the Electric Power Source

- Plug the extension cord into any convenient 110-120 volt 60 cycle A.C. outlet or receptacle for your source of power. This outlet may be located either out-of-doors or indoors. To avoid blowing fuses, pick an outlet that is not overloaded. Your mower will operate satisfactorily on a circuit that is fused for 15 amperes. Do not use oversize fuses without consulting your power company. If an inside receptacle is used, the extension cord can be taken out either through the doorway or a window.

3. TO START MOTOR AND ENGAGE BLADE

- Standing behind the unit, depress starter button on the motor/blade control.
- Lift motor/blade control handle (bail) up against handle. Release starter button. See figure 10.

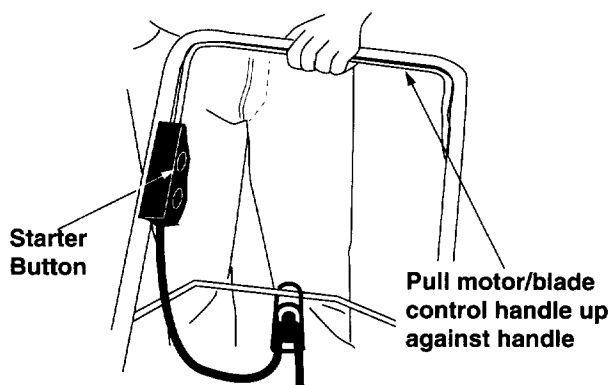


Figure 10

IMPORTANT: Your mower is equipped with a circuit breaker, located on the motor/blade control housing. See figure 9. If the circuit breaker trips, reset as instructed in the Maintenance section.

4. TO STOP MOTOR AND BLADE

- Release the motor/blade control handle (bail) to stop the motor and blade. A high pitched noise will result, due to deceleration of the electric motor. Sparking at the top of motor is also normal during deceleration.



WARNING: The blade continues to rotate for a few seconds after the motor is shut off. If **motor does not come to an immediate stop** when the motor/blade control handle is released, contact an authorized service dealer.

- Disconnect the power source to prevent accidental starting while equipment is unattended.

5. USING YOUR ROTARY MOWER



WARNING: Do not operate this mower with the chute door open, unless the complete grass catcher is properly mounted on the mower.

- Be sure that lawn is clear of stones, sticks, wires, or other objects which could damage lawn mower or motor. Such objects could be accidentally thrown by the mower in any direction and cause serious personal injury to the operator and others.
- To prevent electric shock, do not operate the mower in damp or wet locations.

Mowing Pattern:

- Always start from the **point closest to the power source** where the cord is connected. Never mow around the lawn in circles; travel back and forth across the lawn, starting from the point closest to the outlet and then moving away from the outlet so the cord lies in the cut portion of the lawn, out of the way. See figure 11.

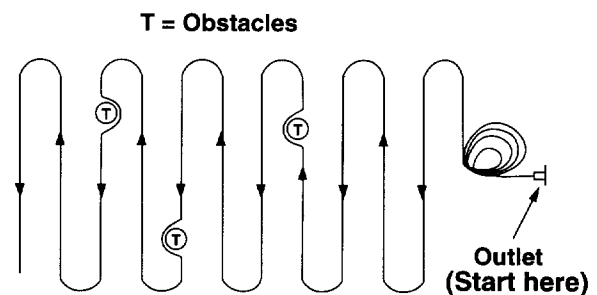


Figure 11 -- Mowing Pattern

- Do not allow extension cord to wrap around trees, shrubs or other obstacles. When picking up the extension cord, wind the cord in a series of equal loops on each side of your hand to prevent snarling.
- When cutting heavy grass, reduce walking speed to allow more effective cut and proper discharge of the clippings. For a healthy lawn, always cut off

one-third or less of the total length of the grass. The average lawn should be approximately 1-1/2 to 2 inches during the cool season, and over 2 inches during hot months. For a healthier and better looking lawn, cut more often and after moderate growth. The lawn should be cut in the fall as long as there is growth.

Tips for mulching:

- For effective mulching, do not cut wet grass because it tends to stick to the underside of the deck, preventing proper mulching of grass clippings. New or thick grass may require a narrower cut. The ground speed should be adjusted to the condition of the lawn. If mowing

has been delayed and the grass has been allowed to grow in excess of 4", mow twice to reduce the grass height to 3-1/4" maximum.



WARNING: If you strike a foreign object, **stop the motor**. Disconnect the power source, thoroughly inspect the mower for any damage, and **repair the damage** before restarting and operating the mower. Extensive vibration of the mower during operation is an indication of damage. The unit should be promptly inspected and repaired.

MAINTENANCE

Customer Responsibility Chart

MAINTENANCE SCHEDULE	SERVICE SCHEDULE				SERVICE DATES*						
	Before each use	After each use	Every 25 hours	Before storage							
Clean motor cover		✓		✓							
Clean lawn mower		✓		✓							
Clean blade and underside of deck		✓		✓							
Inspect blade and blade adapter			✓								
Check all nuts and bolts			✓								
Check grass catcher bag			✓								
Lubricate hinge pin and bolt			✓	✓							

* Fill in dates as you complete service.

✓ Check.

1. GENERAL RECOMMENDATIONS

Refer to Customer Responsibilities Chart for maintenance schedule.

- Always observe safety rules when performing any maintenance.
- The warranty on this electric mower does not cover items that have been subjected to operator abuse or negligence. To receive full value from the warranty, operator must maintain the mower as instructed in this manual.
- Some adjustments will need to be made periodically to maintain your unit properly.
- All adjustments in the Service & Adjustments section of this manual should be checked at least once each season.
- Follow the maintenance schedule on page 12.



WARNING: Always stop motor and disconnect the power source before cleaning, lubricating or performing any repairs or maintenance on lawn mower.

2. CUTTING BLADE



WARNING: Always protect hands by wearing heavy gloves and/or wrapping cutting edges with newspapers or other materials when performing any blade maintenance. Be certain to disconnect the power supply.

Removing Blade

- Stop the motor and disconnect the power supply to the mower. Turn mower on its side.
- Use a block of wood between blade and mower deck to prevent blade from turning when bolt is removed.

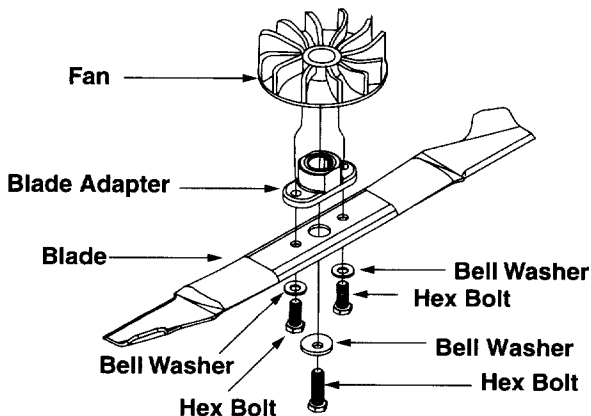


Figure 12

- Using a 9/16" box or open-end wrench, remove center bolt and bell washer which hold the fan, blade and adapter to the motor shaft. See figure 12.
- Remove the fan, blade and adapter from the shaft.
- Remove the two small bolts, bell washers and nuts which hold the blade to the adapter. See figure 12. Remove fan from blade adapter.

Replacing Blade

- Put blade adapter on motor shaft.
- Fit blade in adapter making sure that the trailing edge of the blade is up towards the engine, and the side of the blade marked "Bottom" (or with part number) faces the ground when the mower is in the operating position.
- Before reassembling the blade and the blade adapter to the unit, lubricate the motor shaft and the inner surface of the blade adapter with light oil (or engine oil). Lubricating the bolt holes, bolts and inner surface of the nuts is also recommended.
- Assemble bolts, washers, and nuts in the exact order of removal. Make sure to assemble the fan properly before running the mower. See figure 12.



WARNING: Periodically inspect the blade adapter for cracks, especially if you strike a foreign object. Replace when necessary.

Blade Mounting Torque

The recommended torque for the center blade bolt is 450-600 in. lbs. The recommended torque for the two blade adapter bolts is 200-300 in. lbs.

To insure safe operation of your unit, **all nuts and bolts** must be checked periodically for correct tightness.

Sharpening blade

- The blade can be sharpened with a file or on a grinding wheel. **Do not attempt to sharpen while on the mower.**
- When sharpening the blade, follow the original angle of grind as a guide. It is extremely important that each cutting edge receives an equal amount of grinding to prevent an unbalanced blade.
- Test the blade by balancing it on a round shaft screwdriver or a blade balancer. See figure 13.

NOTE: An unbalanced blade will cause excessive vibration when rotating at high speeds, may cause damage to the mower and could break, causing personal injury.

- If the blade is not balanced, remove metal from the heavy side until it balances evenly. We recommend that the blade be always removed

from the adapter for the best test of balance.

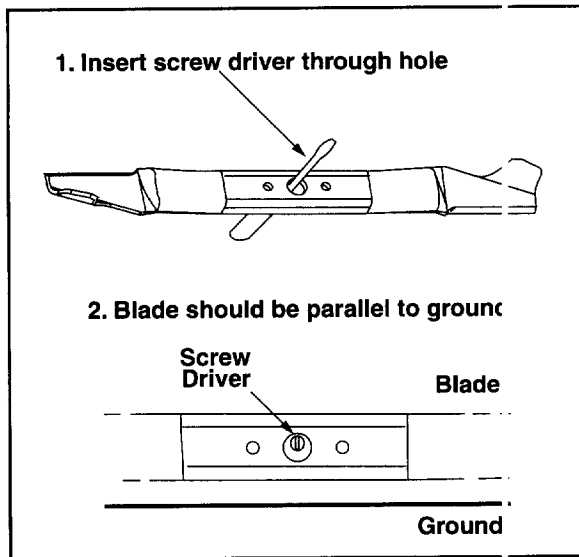


Figure 13

- When replacing the blade, be sure to install the blade with the side of the blade marked "Bottom" (or with part number) facing the ground when the mower is in the operating position. Also make sure to follow the correct order as shown in figure 12.

3. DECK

NOTE: The underside of mower deck should be cleaned after each use as grass clippings, leaves, dirt and other matter will accumulate. This accumulation of grass clippings, etc., is undesirable as it will promote rust and corrosion.

- Remove any buildup of grass and leaves on or around the motor cover (do not use water). Wipe mower clean with a dry cloth occasionally.
- Disconnect the power source. Tilt the mower forward or on its side and scrape clean with a suitable tool.



WARNING: To reduce the risk of electric shock, do not expose mower to water.

4. LUBRICATION

Refer to Lubrication Chart in the next column.

- Keep unit well lubricated. Lubricate the springs on the rear discharge door with a light oil. See figure 14.
- Lubricate the bolts holding the height adjustment lever to the deck with a light oil. See figure 14.
- If the wheels are removed for any reason, lubricate the surface of the axle and the inner

surface of the wheel with light oil. See figure 14.

- If you are reassembling the blade and the blade adapter to the unit, lubricate the motor shaft and the inner surface of the blade adapter with light oil (or engine oil). See figure 14.
- Also lubricate the bolt holes, bolts and inner surface of the nuts in the blade adapter assembly before reassembly. See figure 14.

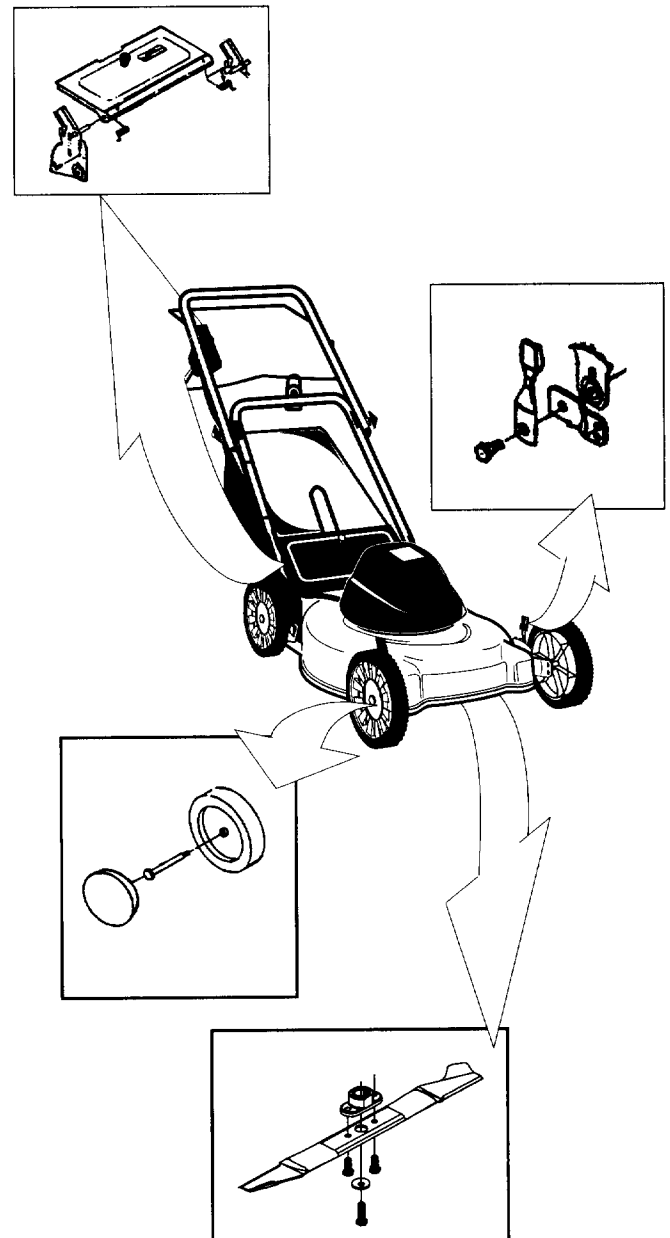


Figure 14 -- Lubrication Chart

SERVICE & ADJUSTMENT

1. CUTTING HEIGHT ADJUSTMENT

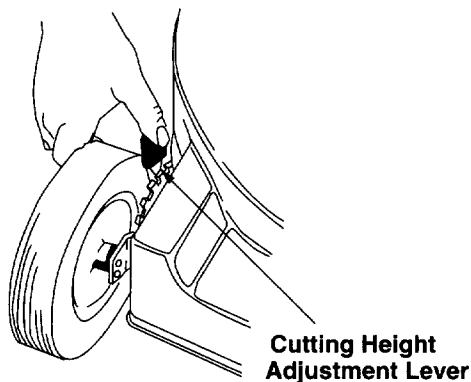


Figure 15

A height adjustment lever at each wheel provides cutting height adjustment. Each adjuster has nine height positions. Height of cut will be changed when the lever is moved from one position to another. Simply depress the lever towards wheel and move wheel and lever assembly to desired position. See figure 15. All wheels must be placed in the same relative position. For rough or uneven lawns, move the wheels to a position which will give a higher cutting height.

2. HANDLE HEIGHT ADJUSTMENT

The upper handle may be adjusted to three different height positions. To select desired position, loosen hand knobs and align one of the three marks on the top of the lower handle insulators with the mark on the upper handle insulators. Tighten the hand knobs. Refer to figure 2.

3. CIRCUIT BREAKER ADJUSTMENT

The circuit breaker is located on the motor/blade control housing. This breaker may trip when too much strain is placed on the mower. The circuit breaker has been tripped if the mower will not run, and the white part of the reset button projects out of the motor/blade control housing. Refer to figure 9.

- If this occurs, wait approximately 30 seconds, then depress the reset button. Refer to figure 9.
- Restart the mower, but be sure to reduce the strain on the mower (i.e., mow at a higher cutting height, slow down, or take a smaller width of cut).
- If the circuit breaker does not reset, or if it trips repeatedly under normal cutting conditions, take the mower to an authorized service dealer.

OFF-SEASON STORAGE

Your mower should be prepared for off-season or long storage by following the steps mentioned below.

1. MOWER

- Make certain motor/blade control switch is in OFF position and power supply is disconnected.
- Clean mower as instructed in previous section.
- Inspect and replace/sharpen blade if required. Refer to Cutting Blade section on page 13.
- Lubricate mower following instructions on page 14.

2. HANDLE

The handle may be folded away completely for storage.

- Remove grass bag.
- Loosen the hand knobs on the sides of the handle, and fold the upper handle down.
- Remove the hairpin clips from the two inside holes in the weld pins on the handle mounting brackets on each side to the outside holes.

- Pull outward on each side of the lower handle, and lift the sides of the lower handle past the edges of the handle mounting brackets. Fold the lower handle forward. Make sure not to bend or kink the power cord.

3. EXTENSION CORD

- Wipe extension cord to remove any foreign substance such as oil or stains. Replace extension cord if cut or damaged in any way.
- Wind cord in a series of equal loops on each side of your hand to prevent snarling.

4. STORAGE

- Store mower indoors, in a cool, dry place, out of reach of children. Do not cover lawn mower with a solid plastic sheet. Any plastic covering traps moisture around the mower which promote rust and corrosion.

TROUBLE-SHOOTING



WARNING: Before doing any kind of investigative or repair job on the mower, **stop the motor and disconnect** from power source.
Always protect hands by **wearing heavy gloves** when performing any blade maintenance.

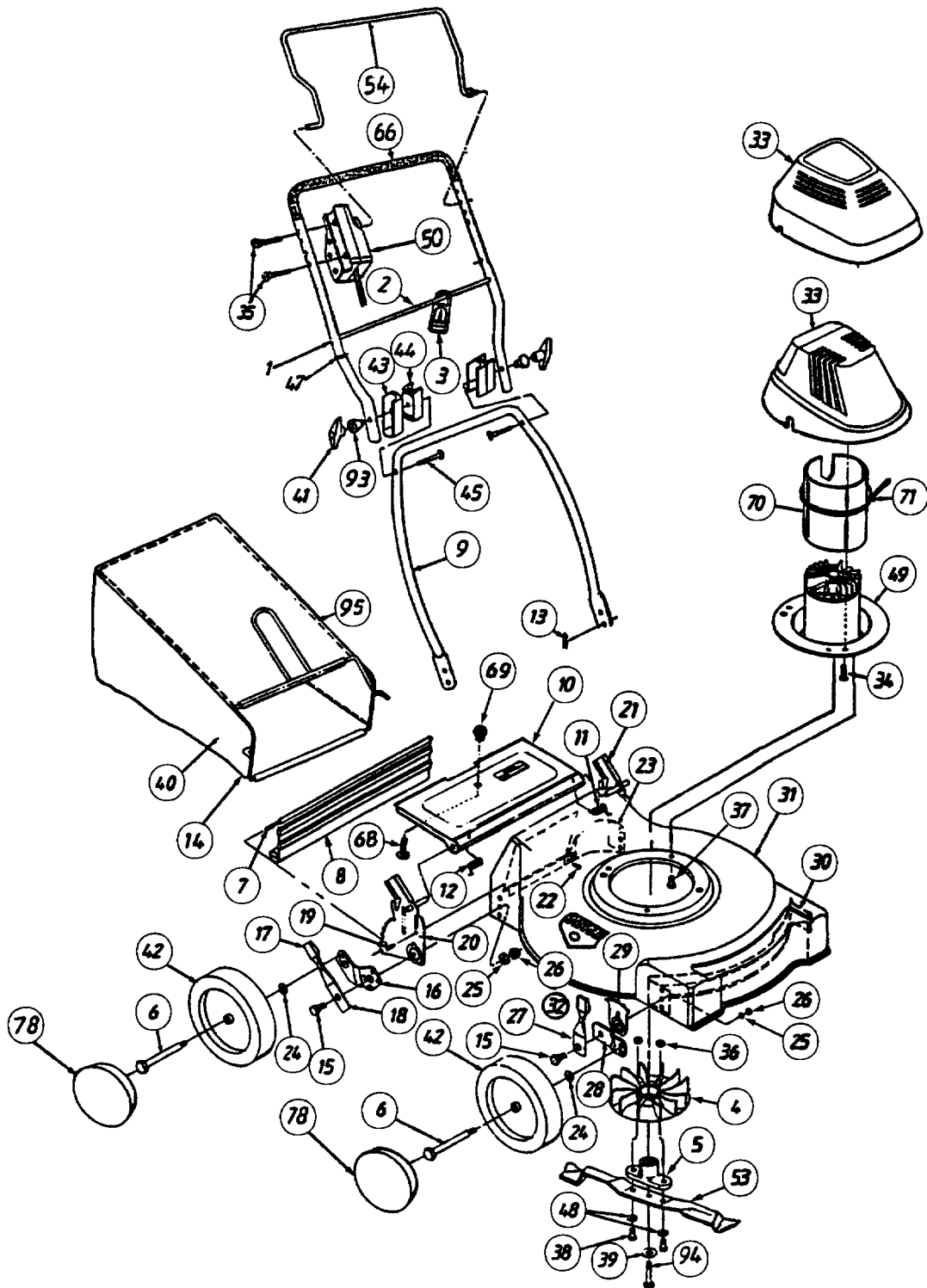
Trouble	Possible Causes	Corrective Action
Handle not in position	1. Carriage bolts not seated in the handle insulators	1. Adjust the height of the handle and make sure that the carriage bolts are seated properly into the handle insulators. Tighten the hand knobs.
Mower not starting	1. Cord disconnected from the motor/ blade control 2. Motor/blade control switch defective. 3. Extension cord not connected to source of power. 4. Circuit breaker on the mower or on the house receptacle tripped	1. Reconnect the cord keeping the cord restraint close to the motor/ blade control. 2. Replace motor/blade control switch. 3. Connect the extension cord to an indoor or outdoor 110-120 volt 60 cycle A.C. receptacle. 4. Reset the circuit breaker following instructions in the Maintenance section of this manual.
Circuit breaker on the mower tripping	1. Too much workload on the mower 2. Fuse blown; outlet overloaded.	1. Raise the cutting height, reset the circuit breaker on the mower, take a smaller width of cut, and walk slowly. 2. Connect to an outlet that is fused for 15 amperes. Reset the circuit breaker and start the mower again.
Mower cutting grass unevenly	1. Cutting height not set properly. 2. Lawn rough or uneven.	1. All wheels must be placed in the same cutting height for the mower to cut evenly. 2. Move the wheels to a higher cutting height position.
Mower not mulching properly	1. Wet grass clippings stick to the underside of the deck.	1. Wait till the grass dries before mowing.
Hard to push	1. High grass or cutting height too low. 2. Rear of mower housing and blade dragging in heavy grass	1. Raise cutting height 2. Raise cutting height.
Mower vibrating at higher speed	1. Blade is unbalanced. 2. Bent motor shaft.	1. Balance the blade by grinding each cutting edge equally. 2. Stop the motor, disconnect the power source and inspect for damage. Repair before restarting. If vibration persists, take it to a service dealer.



For repairs beyond the minor adjustments listed above, contact your local authorized service dealer.

REPAIR PARTS

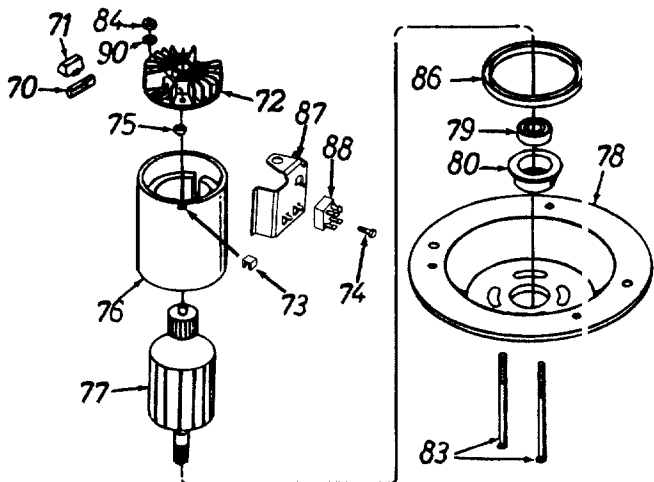
SEARS CRAFTSMAN 19" ELECTRIC MOWER MODEL NO. 247.370253



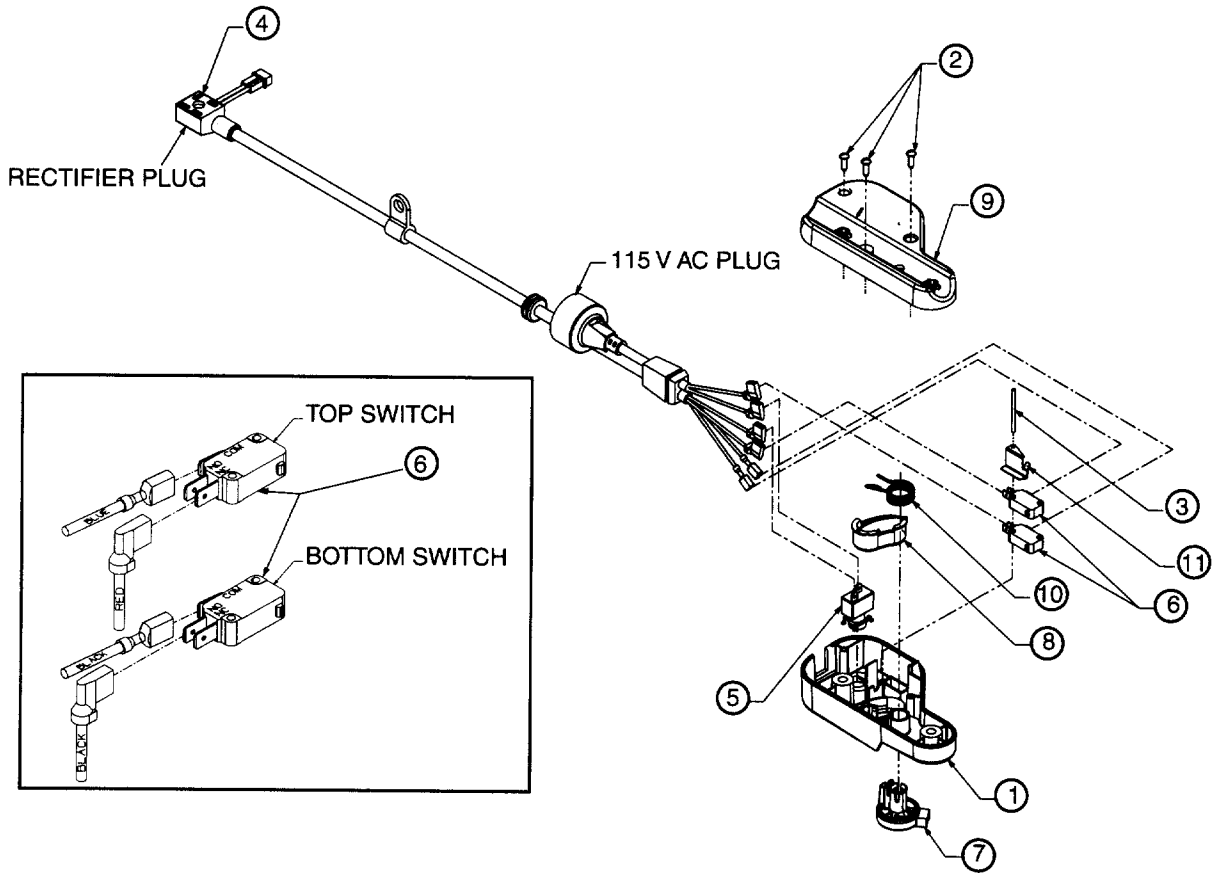
SEARS CRAFTSMAN 19" ELECTRIC MOWER MODEL NO. 247.370253

KEY NO.	PART NO.	DESCRIPTION	KEY NO.	PART NO.	DESCRIPTION
1	749-0984	Upper Handle		14579	Height Adj. Ass'y. Comp. (L.H.) (Not Shown)
2	747-0923	Cord Control Rod	33	731-1264	Motor Cover
3	725-1590	Strain-Relief Cord	34	710-3009	Scr. #10-24 x .75" Lg.
4	731-1270	Fan	35	710-0605	C-Sunk Scr.1/4-20 x 1.8" Lg.
5	748-0356	Blade Adapter	36	712-0241	Hex Nut 3/8-24 Thd.
6	738-0102	Axle Bolt	37	710-0654A	Hex Tt-Tap Scr. 3/8-16 x 1" Lg.
7	732-0712	Rear Flap Wire	38	710-0191	Hex Bolt 3/8-24 x 1.25" Lg.
8	731-1261	Rear Flap	39	736-0452	Bell Washer .396" I.d. x 1.14"
9	749-0882	Lower Handle	40	764-0447	Grass Bag
10	782-7025	Chute Door	41	720-0241	Plastic Knob
11	732-0677	Door Spring (L.H.)	42	734-1699	Wheel Ass'y. Comp.
12	732-0678	Door Spring (R. H.)	43	731-1268	Upper Handle Insulator
13	714-0104	Hairpin Clip	44	731-1267	Lower Handle Insulator
14	764-0326	Front Catcher Frame	45	710-0450	Carriage Bolt 5/16-18 x 3" Lg.
15	738-0507B	Shld. Bolt 5" X .434"	47	726-0240	Cable Tie
16	14765	Pivot Bar (R.H.)	48	736-0331	Bell Washer 3/8" I.d.
	14766	Pivot Bar (L.H.) (Not Shown)	49	624-0072	Motor, Cord & Switch Ass'y. †
17	720-0190	Spring Lever Knob	50	625-0018B	Cord & Switch Ass'y. Comp. †
18	732-0417a	Spring Lever		725-1719	Switch 20 Amp. †
19	710-0896	Hex AB-Tap Scr.		724-1246	Cord †
20	682-0514	Handle Bracket Ass'y. (R.H.)	51	782-5004	Mulching Baffle --†R.R.
21	682-0513	Handle Bracket Ass'y. (L.H.)	52	782-5007	Mulching Baffle Plug
22	710-1017	Torx. Mach. AB-Tap Scr.	53	742-0719	19" Mulching Blade
23	782-5026	Rear Baffle	54	747-0622	Control Handle
24	736-0105	Bell Washer .38" I.d. x .88"o.d.	66	720-0295	Foam Grip
25	736-0356	Bell Washer .39" I.d. x 1.38"o.d.	67	720-0258	Hub Cap
26	712-0798	Hex Nut 3/8-16 Thd. *	68	710-0192	Truss Scr. #10-24 x .38" Lg.
27	14832	Spring Lever Ass'y. V// Knob	69	720-0275	Knob
28	15262b	Pivot Bar	70	624-0031	Brush & Liner Ass'y. †
29	15261a	Height Adj. Plate	71	724-0200	Brush Holder Cap †
30	782-5025	Front Baffle	72	624-0070	End Shield Ass'y. W/plug†
31	782-0054	19" Deck			(Includes Ref. 70 & 71)
32	14578	Height Adj. Ass'y. Comp. (R.H.)	73	721-0305	Insulator Wire (Output) †
			74	710-3009	Hex Tap Scr. #10-16 x .62" Lg. †
			75	741-0875	Needle Bearing †
			76	-	Not A Serviceable Part -- Order Ref. 49
			77	624-0029	Armature Ass'y. †
			78	624-0062	Motor End Plate Ass'y. †
			79	741-0124	Ball Bearing †
			80	748-0348	Bearing Adapter †
			83	710-1176	Carriage Bolt †
			84	712-0324	Hex L-Nut 1/4-20 Thd. †
			86	721-0306	Motor Hsg. Insulator †
			87	782-5016	Brkt. Rectifier/Heat Sink †
			88	725-1715	Rectifier
			90	736-3090	Fl. Washer .26" I.D. x .72" O.D. †
			91	726-0209	Cable Tie
			92	721-0311	Insulator Motor Hsg.
			93	731-1388	Insulator Knob
			94	710-1251	Hex Bolt 3/8-24 x 2.5"
			95	764-0325	Rear Catcher Frame
			-	770-0253M	Owner's Manual

* Common hardware -- can be purchased locally.
 † Part of Motor, Switch & Cord Ass'y. Comp. (Ref. 49)

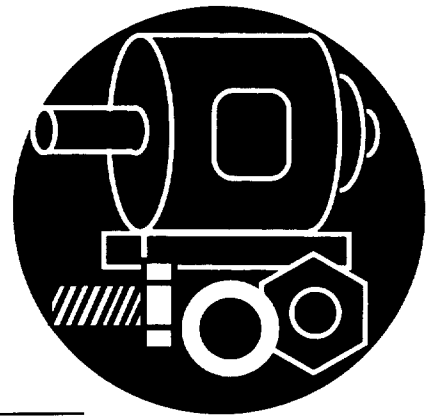


EXPLODED VIEW OF CORD & SWITCH ASSEMBLY (PART # 625-0018B) FOR SEARS CRAFTSMAN 19" ELECTRIC MOWER MODEL NO. 247.370253



KEY NO.	PART NO.	DESCRIPTION
1	631-0061	Switch Hsg. Ass'y. (L.H.)
2	710-1271	Drive Screw #8 x 1/2 Lg.
3	711-1145	Pivot
4	724-1246	Cord, 115Volt w/plug
5	725-1712	Circuit Breaker 120 volt 15 amp.
6	725-1719	Switch, Micro 20 amp.
7	731-1571A	Clip, Bail Lock
8	731-1572	Button, Bail Lock
9	731-1848	Switch Housing (R.H.)
10	732-0741	Torsion Spring
11	782-9053	Actuator Arm

For the repair or replacement parts you need
delivered directly to your home
Call 7 am - 7 pm, 7 days a week
1-800-366-PART
(1-800-366-7278)



For in-home major brand repair service
Call 24 hours a day, 7 days a week
1-800-4-REPAIR
(1-800-473-7247)



For the location of a
Sears Parts and Repair Center in your area
Call 24 hours a day, 7 days a week
1-800-488-1222

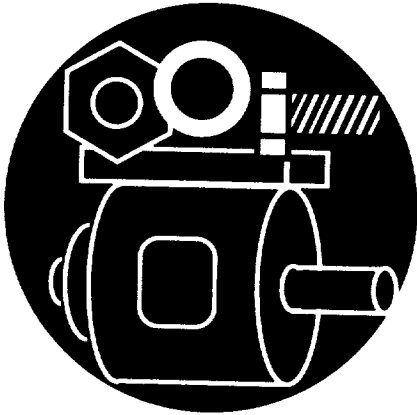


For information on purchasing a Sears
Maintenance Agreement or to inquire
about an existing Agreement
call 9 am - 5 pm, Monday-Saturday
1-800-827-6655



SEARS
REPAIR SERVICES
America's Repair Specialists

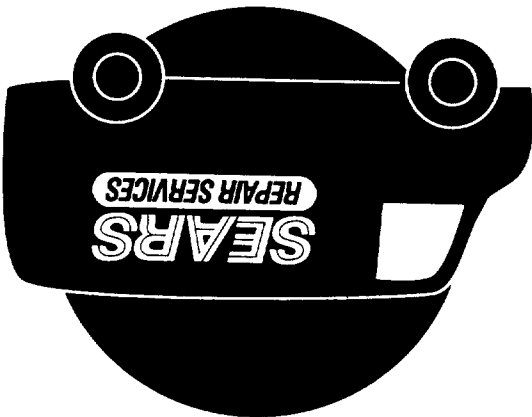
SEARS
REPAIR SERVICES



1 800-659-7084

Llame de 7 am a 7 pm, 7 días a la semana

**Para ordenar piezas con entrega
a domicilio,**



1 800-676-5811

Llame 24 horas al día, 7 días a la semana

**Para pedir servicio de reparación
a domicilio,**

**Sears se complace en ofrecer a sus clientes
servicio de reparación de aparatos electro-
domésticos y electrónicos de todas las marcas.
En Sears, usted puede contar con operadores en
español, a los que puede llamar sin cargo alguno.**

LOCALIZACIÓN DE FALLAS

Detenga el motor y desconecte de la fuente de potencia, antes de efectuar cualquier clase de tareas de investigación o de reparación.
Al efectuar cualquier mantenimiento de la cuchilla, proteja siempre las manos mediante el uso de guantes gruesos.

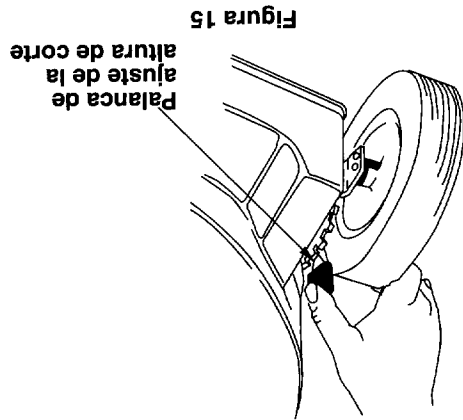


Problema	Causas posibles	Acción correctora
El mango no está en posición	1. Los pernos de acarreo no están asentados en los aisladores del mango.	1. Ajuste la altura del mango y asegúrese que los pernos de acarreo estén adecuadamente asentados dentro de los aisladores del mango. Ajuste las perillas manuales.
La cortadora no arranca	1. El cordón está desconectado del control de motor/cuchilla. 2. El interruptor del control de motor/cuchilla es defectuoso. 3. El cordón de extensión no está conectado a una fuente de potencia. 4. Se activa el interruptor de circuito en la cortadora o en el receptáculo del hogar.	1. Reconecte el cordón manteniendo el sujetador del cordón cerca del control de motor/cuchilla. 2. Reemplace el interruptor del control de motor/cuchilla. 3. Conecte el cordón de extensión a un receptáculo interno o externo de 110-120 voltios y 60 ciclos de C.A. 4. Reposicione el interruptor de circuito siguiendo las instrucciones de la sección de Mantenimiento de este manual.
Se activa el interruptor de circuitos en la cortadora	1. Demasiada carga de trabajo sobre la cortadora. 2. Fusible quemado; el tomacorrientes está sobrecargado.	1. Aumente la altura de corte, reposicione el interruptor de circuito en la cortadora, disminuya el ancho de corte y camine lentamente. 2. Conecte a un tomacorrientes con fusibles de 15 amperios. Reposicione el interruptor de circuito y arranque nuevamente la cortadora.
La cortadora corta el césped de manera irregular	1. No se ha graduado correctamente la altura de corte. 2. Césped duro o irregular.	1. Para que la cortadora corte uniformemente, todas las ruedas deben colocarse a la misma altura de corte. 2. Mueva las ruedas a una posición más elevada de corte.
La cortadora no acolcha correctamente	1. Los recortes húmedos de grama se adhieren a la parte inferior de la plataforma.	1. Antes de cortar, espere hasta que la grama se seque.
Difícil de empujar	1. Césped alto o altura de corte demasiado baja. 2. La parte posterior de la armadura de la cortadora y la cuchilla se arrastran en un césped denso.	1. Aumente la altura de corte. 2. Aumente la altura de corte.
La cortadora vibra a alta velocidad	1. La cuchilla está desequilibrada. 2. Eje doblado del motor.	1. Equilibre la cuchilla desgastando igualmente cada borde de corte. 2. Detenga el motor, desconecte la fuente de potencia e inspeccione por averías. Antes de arrancar nuevamente repare. Lévela a un distribuidor de servicio, si persiste la vibración.

Consulte con su distribuidor autorizado de servicio, para reparaciones más complicadas que los ajustes menores listados arriba.



1. AJUSTE DE LA ALTURA DE CORTE



Una palanca de ajuste en cada rueda provee un ajuste de la altura de corte. Cada ajustador tiene nueve posiciones de altura. La altura de corte se cambia cuando la palanca se mueve de una posición a otra. Simplemente presione la palanca hacia la rueda y mueva el conjunto de rueda y palanca a la posición deseada. Vea la figura 15. Todas las ruedas deben colocarse en la misma posición relativa. Para céspedes densos o irregulares, mueva las ruedas a una posición que proveerá una mayor profundidad de corte.

2. AJUSTE DE LA ALTURA DEL MANGO

El mango superior puede ajustarse a tres posiciones diferentes de altura. Para seleccionar la posición deseada, afloje las perillas manuales y alinee una de las tres marcas del tope de los aisladores del mango inferior con la marca de los aisladores del mango superior. Ajuste las perillas manuales. Refiérase a la figura 2.

3. AJUSTE DEL INTERRUPTOR DE CIRCUITOS

El interruptor de circuitos está ubicado en la armadura del control de motor/cuchilla. Este interruptor puede activarse cuando se fuerza mucho la cortadora. Si la cortadora no funciona significa que se ha activado el interruptor de circuitos, y la parte blanca del botón de reposición se proyecta fuera de la armadura del control de motor/cuchilla. Refiérase a la figura 9.

- Si ocurre esto, espere 30 segundos aproximadamente y a continuación active el botón de reposición. Refiérase a la figura 9.
- Arraigue nuevamente la cortadora, pero asegúrese de reducir la carga sobre la misma (por ej., corte a una altura mayor de corte, disminuya la velocidad o disminuya el ancho de corte).
- Si el interruptor de circuito no se reposiciona o si se activa repetidamente bajo condiciones normales de corte, lleve la cortadora a un distribuidor autorizado de servicio.

ALMACENAMIENTO FUERA DE TEMPORADA

Su cortadora debe prepararse para almacenamiento fuera de temporada o prolongado siguiendo los pasos mencionados abajo.

1. CORTADORA

- Asegúrese que el interruptor del control de motor/cuchilla esté en la posición OFF y que esté desconectada la alimentación de potencia.
- Limpie la cortadora según las instrucciones de la sección previa.
- Inspeccione y reemplace/afíle la cuchilla si fuera requerido. Refiérase a la sección de la Cuchilla de Corte en la página 14.

2. MANGO

El mango puede plegarse completamente para almacenar.

- Retire la bolsa de grama.
- Afloje las perillas manuales a los lados del mango y pliegue hacia abajo el mango superior.

4. ALMACENAMIENTO

- Almacene la cortadora bajo techo, en un lugar fresco y seco, fuera del alcance de los niños. No cubra la cortadora de césped con una cubierta plástica solita. La cubierta de plástico atrapa la humedad alrededor de la cortadora lo que promueve la oxidación y la corrosión.

3. CORDON DE EXTENSION

- Frote el cordón de extensión para eliminar cualquier substancia extraña tal como aceite o manchas. Si el cordón está cortado o dañado de alguna manera reemplácelo.
- Enrolle el cordón en una serie de bucles iguales de cada lado de su mano para prevenir que se enrede.

- Si la cuchilla no está equilibrada, elimine el metal del lado más pesado hasta que se equilibre uniformemente. Recomendamos que se extraiga siempre la cuchilla del adaptador para efectuar la mejor prueba de equilibrio.

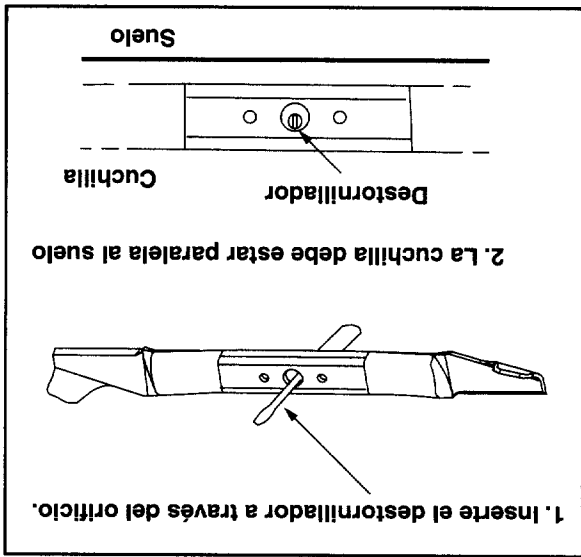


Figura 13

- Al reemplazar la cuchilla, asegúrese de instalar la cuchilla con el lado de la cuchilla marcada "Bottom" ("Fondo" (o con el número de pieza) enfrentado al suelo, cuando la cortadora esté en la posición de operación. Asegúrese también de seguir el orden correcto según se muestra en la figura 12.

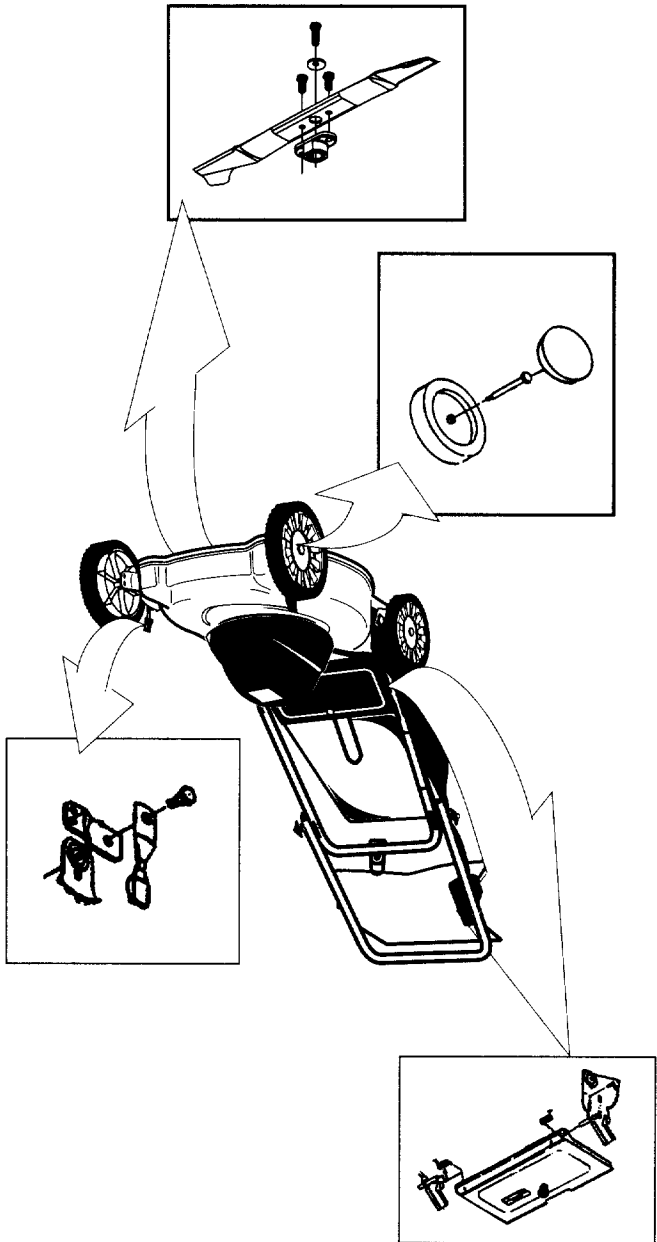
3. PLATAFORMA

- NOTA:** Debe limpiarse el lado inferior de la plataforma de la cortadora después de cada uso ya que se acumularán recortes de grama, hojas, suciedad y otras materias. Esta acumulación de recortes de grama, etc. es indeseable ya que promoverá óxido y corrosión.
- Elimine toda la acumulación de grama y hojas sobre o alrededor de la cubierta del motor (no use agua). Ocasionalmente frote la cortadora con un trapo seco y limpio.
 - Desconecte la fuente de potencia. Inclíne la cortadora hacia adelante o sobre un lado y raspe limpio con una herramienta adecuada.
- ADVERTENCIA:** No exponga la cortadora al agua para reducir el riesgo de choque eléctrico.

4. LUBRICACION

- Refiérase a la Tabla de Lubricación de Abajo
- Mantenga bien lubricada la unidad. Lubrique los resortes de la puerta de descarga posterior con un aceite liviano. Vea la figura 14.

Figura 14 - Tabla de lubricación



- Lubrique los pernos que sujetan el ajustador de altura a la plataforma, con un aceite liviano. Vea la figura 14.
- Si por alguna razón se sacaron las ruedas, lubrique la superficie del eje y la superficie interior de la rueda con aceite liviano. Vea la figura 14.
- Si usted está reensamblando la cuchilla y el adaptador de cuchilla a la unidad, lubrique el eje del motor y la superficie interna del adaptador de cuchilla con aceite liviano (o aceite de motor). Vea la figura 14.
- Lubrique también los orificios del perno, los pernos y la superficie interna de las tuercas en el conjunto del adaptador de cuchilla antes de reensamblar. Vea la figura 14.

1. RECOMENDACIONES GENERALES

- Para el programa de mantenimiento, refiérase a la Tabla de Responsabilidades del Cliente.
- Observe siempre las reglas de seguridad al efectuar cualquier mantenimiento.
- La garantía de esta cortadora eléctrica no cubre artículos que hayan estado sometidos a abuso o negligencia por parte del operador. El operador debe mantener la cortadora según se instruye en este manual, para recibir el valor completo de la garantía.
- Para mantener adecuadamente su unidad, deberá efectuar algunos ajustes periódicamente.
- Deben inspeccionarse todos los ajustes en la sección de Servicio y Ajustes una vez por cada temporada por lo menos.
- Siga el programa de mantenimiento de la página 12.



ADVERTENCIA: Antes de limpiar, lubricar o efectuar reparaciones o mantenimiento en la cortadora de césped, siempre detenga el motor y desconecte la fuente de potencia.

2. CUCHILLA DE CORTE



ADVERTENCIA: Al efectuar cualquier mantenimiento de la cuchilla, proteja siempre las manos usando guantes gruesos y/o envolviendo los bordes filosos con periódicos u otros materiales. Asegúrese de desconectar la fuente de potencia.

Extracción de la cuchilla

- Detenga el motor y desconecte la alimentación de potencia a la cortadora. Vuelque la cortadora sobre el lado.
- Use un bloque de madera entre la cuchilla y la plataforma de la cortadora para evitar que la cuchilla gire cuando se extrae el perno.

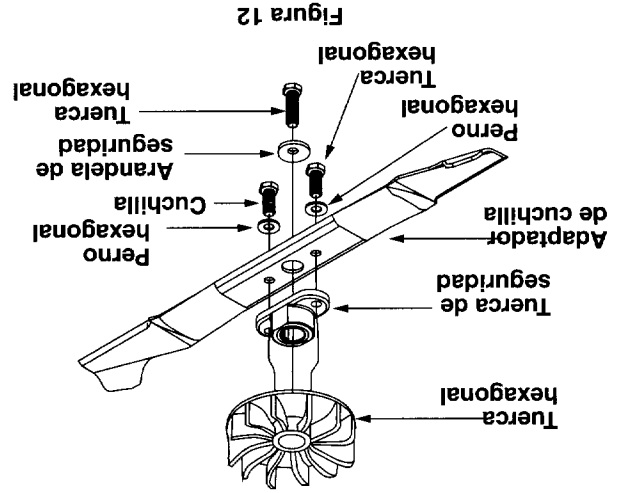


Figura 12

Reemplazo de la cuchilla

- Usar una llave de caja o de extremo abierto de 9/16", extraiga el perno central y la arandela de seguridad que mantienen la cuchilla en el eje del motor. Vea la figura 12.
- Extraiga la cuchilla y el adaptador del eje.
- Extraiga los dos pernos pequeños, arandelas de seguridad y tuercas que mantienen la cuchilla en el adaptador. Vea la figura 12.

- Coloque el adaptador de la cuchilla en el eje del motor.
- Calcule la cuchilla en el adaptador asegurándose que el borde posterior de la cuchilla esté colocado hacia arriba hacia el motor, y que el lado de la cuchilla marcado "Bottom" ("Fondo") (o con el número de pieza) en frente del suelo cuando la cortadora esté en la posición de operación.
- Antes de reensamblar la cuchilla y el adaptador de la cuchilla a la unidad, lubrique el eje del motor y la superficie interna del adaptador de cuchilla con aceite liviano (o aceite de motor). Se recomienda también la lubricación de los orificios de los pernos, de los pernos y de la superficie interna de las tuercas.
- Ensamble los pernos, las arandelas y las tuercas en el orden exacto de extracción. Vea la figura 12.

ADVERTENCIA: Inspeccione periódicamente el adaptador de cuchilla por grietas, especialmente si usted ha golpeado un objeto extraño. Reemplácelo cuando sea necesario.

Par torsor de montaje de la cuchilla

El par torsor recomendado para el perno central de la cuchilla es de 450-600 pulg.lbs. El par torsor recomendado para los dos pernos adaptadores de la cuchilla es de 200-300 pulg.lbs. Para garantizar una operación segura de su unidad, deben inspeccionarse periódicamente todas las tuercas y pernos para un ajuste correcto.

Afilado de la cuchilla

- La cuchilla puede afilarse con una lima o en una rueda desgasadora. No intente afilar mientras esté instalada en la cortadora.
- Al afilar la cuchilla, siga el ángulo original de desgaste como guía. Es extremadamente importante que cada borde de corte reciba un grado igual de desgaste para prevenir una cuchilla desequilibrada.
- Pruebe la cuchilla equilibrándola sobre un destrallador de eje redondeado o en un equilibrador de cuchillas. Vea la figura 13.

NOTA: Una cuchilla desequilibrada causará una vibración excesiva al girar a altas velocidades, puede causar averías a la cortadora y podría romperse, causando lesiones personales.

✎ Marque

* Anote las fechas a medida que completa el servicio

PROGRAMA DE MANTENIMIENTO		Antes de cada uso	Después de cada uso	Cada 25 horas	Antes de almacenar	FECHAS DE SERVICIO*						
Limpie la cubierta del motor	✓				✓							
Limpie la cubierta	✓	✓			✓							
Limpie la cuchilla y el lado inferior de la plataforma	✓	✓			✓							
Inspeccione la cuchilla y el adaptador de cuchilla			✓									
Inspeccione todas las tuercas y pernos			✓									
Inspeccione la bolsa retenedora de grama			✓									
Lubrique la clavija de bisagra y perno			✓		✓							

Tabla de Responsabilidad del Cliente

MANTENIMIENTO

Consejos para el acolchado

• Para obtener un acolchado efectivo, no corte la grama mojada ya que tiende a adherirse al lado interior de la plataforma, evitando el acolchado adecuado de los recortes de grama. La grama para obtener un césped más sano y de mejor apariencia, corte más a menudo y después de un crecimiento moderado. El césped debe cortarse en un césped sano, corte siempre un tercio o menos de la longitud total de la grama. El césped promedio debe tener entre 1-1/2 y 2 pulg adasaproximadamente durante la temporada fría y más de 2 pulgadas durante los meses calurosos.

Para obtener un césped más sano y de mejor apariencia, corte más a menudo y después de un crecimiento moderado. El césped debe cortarse en el otoño mientras crezca.



ADVERTENCIA: Desconecte el motor, si usted golpea un objeto extraño. Antes de arrancar y operar nuevamente la cortadora, desconecte la fuente de potencia, inspeccione completamente la cortadora por averías y repare la avería. Una vibración intensa de la cortadora durante la operación es una indicación de avería. La unidad debe ser prontamente inspeccionada y reparada.

nueva o espesa puede requerir un corte más angosto. La velocidad sobre el suelo debe ajustarse al estado del césped. Si se ha demorado el corte y se ha permitido que la grama crezca en exceso de 4", corte dos veces para reducir la altura de la grama a 3-1/4" como máximo.

manera. Si no puede efectuar una conexión completa, trate de invertir el enchufe del cordón de extensión. Consulte con su distribuidor de servicio para asistencia, si todavía no puede calzar el enchufe. No anule el propósito de seguridad del enchufe polarizado.

• **Conexión a la fuente de potencia eléctrica**
Para su fuente de potencia, enchufe el cordón de extensión a cualquier tomacorrientes o receptáculo conveniente de 110-120 voltios 60 ciclos de C.A. Este tomacorrientes puede estar ubicado al aire libre o bajo techo. Seleccione un tomacorrientes que no esté sobrecargado, para evitar quemar los fusibles. Su cortadora operará satisfactoriamente en un circuito que tiene fusibles para 15 amperios. No use fusibles de tamaño mayor sin consultar con su compañía de electricidad. El cordón de extensión puede sacarse al aire libre por una puerta o ventana, si se usa un receptáculo externo.

3. ARRANQUE DEL MOTOR Y ENGANCHE DE LA CUCHILLA

- Parándose detrás de la unidad accione el botón arrancador del control de motor/cuchilla.
- Presione el mango de control de motor/cuchilla contra el mango. Suelte el botón arrancador. Vea la figura 10.

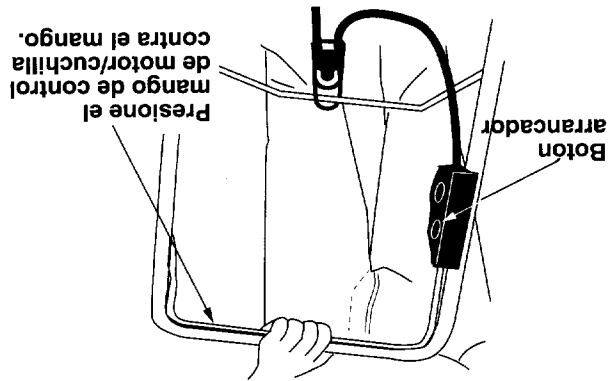


Figura 10

IMPORTANTE: Su cortadora está equipada con un interruptor de circuito, ubicado en la armadura del control de motor/cuchilla. Vea la figura 9. Si se activa el interruptor de circuito, reposicione según las instrucciones de la sección de Mantenimiento.

4. DETENCIÓN DEL MOTOR Y DE LA CUCHILLA

- Para detener el motor y la cuchilla, suelte el mango del control de motor/cuchilla. Se emitirá un sonido agudo debido a la desaceleración del motor. Durante la desaceleración es también normal un chisporroteo en el tope del motor.

ADVERTENCIA: La cuchilla continúa girando por unos pocos segundos después de apagarse el motor. Consulte con un distribuidor autorizado de servicio, si el motor no se detiene inmediatamente cuando se suelta el mango de control del motor/cuchilla.

- Desconecte la fuente de potencia para prevenir el arranque accidental mientras el equipo está desatendido.

5. USO DE SU CORTADORA GIRATORIA

ADVERTENCIA: No opere esta cortadora con la puerta de la canalata abierta, a menos que el retén completo de grama esté correctamente montado en la cortadora.

- Asegúrese que el césped esté despejado de piedras, palos, alambres u otros objetos que podrían averiar la cortadora de césped o el motor. Tales objetos pueden ser accidentalmente despedidos en cualquier dirección por la cortadora y causar lesiones personales graves al operador y a otras personas.
- No opere la cortadora en sitios húmedos o mojados, para prevenir el choque eléctrico.

Patrón de corte:

• Corriente siempre en el punto más cercano a la fuente de potencia a la cual está conectado el cordón. Nunca corte el césped en círculos; recorra la vuelta sobre el césped, comenzando con el punto más cercano al tomacorrientes y a continuación alejándose del tomacorrientes de manera que el cordón esté apartado sobre el área cortada del césped. Vea la figura 11.

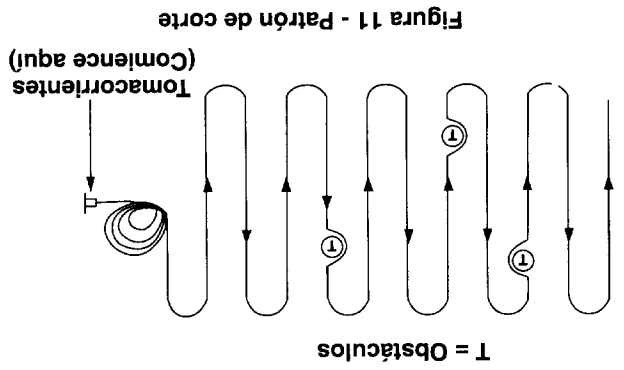


Figura 11 - Patrón de corte

- No permita que el cordón de extensión se envuelva alrededor de árboles, matas u otros obstáculos. Al recoger el cordón de extensión, enrrolle el cordón en una serie de bucles iguales a cada lado de su mar o para prevenir que se enrede.
- Al cortar grama densa reduzca la velocidad de marcha para permitir un corte más efectivo y una descarga adecuada de los recortes. Para obtener

2. CONEXION DEL CORDON

Selección del cordón

IMPORTANTE: Debe usarse un tramo de 100' de un cordón de extensión 14 AWG. Un sustituto aceptable es un tramo de 50' de un cordón de extensión 16 AWG. Para aplicaciones donde se necesita un cordón más largo, puede usarse un tramo de 150' de un cordón 12 AWG. El uso de cualquier otra longitud o clasificación de cordón disminuirá el rendimiento y posiblemente la duración del motor eléctrico. En todos los casos, el cordón de extensión debe estar listado por UL como adecuado para uso al aire libre.

Sujetador del cordón

- Fije el cordón de extensión (no provisto con la unidad) al sujetador de cordón como sigue:
- Forme un pequeño bucle en el cordón de extensión. Permita suficiente exceso de cordón para efectuar la conexión al control de motor/cuchilla (20 pulgadas aproximadamente).
- Deslice el bucle a través de la ranura en el fondo del sujetador del cordón, y hacia arriba sobre la aleta, para prevenir la desconexión del control de motor/cuchilla durante la operación.
- Mantenga el sujetador del cordón tan cerca como sea posible del control de cuchilla/motor. Vea la figura 9.

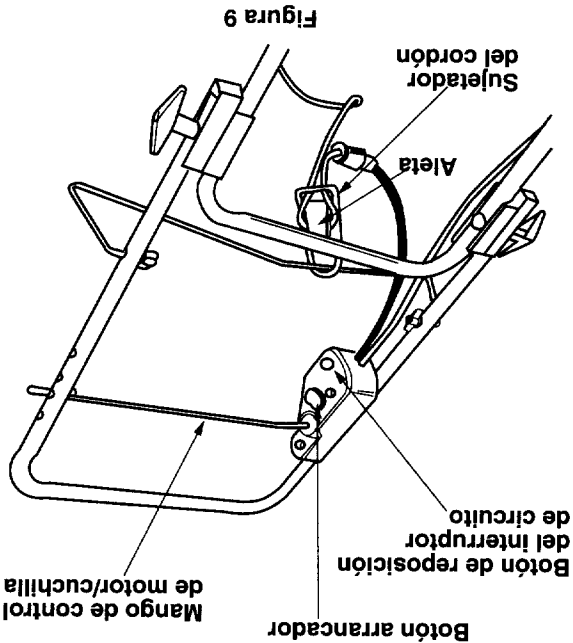


Figura 9

- Conecte el enchufe del cordón de extensión completamente en el enchufe de la cortadora. La cortadora está equipada con un enchufe polarizado de potencia de AC (una de las cuchillas del enchufe es más ancha que la otra), que calzará dentro del enchufe del cordón de extensión de una sola

Conexión al control de motor/cuchilla

Control del Motor/Cuchilla
ADVERTENCIA: Las regulaciones federales requieren que se instale un control de motor/cuchilla en la cortadora de césped para minimizar el riesgo de lesiones por contacto con la cuchilla. NO intente anular la función del control de motor/cuchilla bajo ninguna circunstancia. Nunca intente saltar sus operaciones.

NOTA: Su cortadora de césped está equipada con un control de motor/cuchilla que requiere que el operador esté colocado detrás del mango de la cortadora de césped para arrancar y operar la cortadora de césped. El control del motor/cuchilla está ubicado en el mango superior de la cortadora. Vea la figura 8. El mango de control de motor/cuchilla engancha y desengancha el motor y la cuchilla. El control de motor/cuchilla consiste de dos partes - un botón arrancador y un mango de control de motor/cuchilla.

Protector posterior de remolque

El protector posterior de remolque, fijado entre las ruedas posteriores de su cortadora, se provee para minimizar la posibilidad de que haya objetos despedido al operador desde la parte posterior de la cortadora. Vea la figura 8.

Interruptor de circuitos

Su cortadora está equipada con un interruptor de circuito, ubicado cerca del control de motor/cuchilla en el conjunto del interruptor. Este interruptor de circuito puede activarse cuando se fuerza demasiado la cortadora de césped.

Botón de arranque

El botón de arranque está ubicado en el conjunto del interruptor. Parándose detrás de la unidad, accione el botón arrancador y presione el mango de control de motor/cuchilla contra el mango superior. El motor arrancará y al hacerlo suelte el botón arrancador.

Detención de la cortadora

Para detener el motor y la cuchilla suelte el mango de control de motor/cuchilla.

ADVERTENCIA: La operación de cualquier cortadora de césped puede resultar en que objetos extraños sean despedido contra los ojos, lo que puede resultar en lesiones graves a los mismos. Use siempre gafas de

seguridad o protectores de los ojos.

NOTA: Para fines de transporte, las ruedas de su unidad están graduadas en una posición de corte de baja altura. Para obtener los mejores resultados, eleve la posición de corte hasta que determine la altura óptima para su césped. Vea el ajuste de la altura de corte.

CUMPLE CON LOS REQUERIMIENTOS CPSC DE SEGURIDAD
 Las cortadoras de césped motorizadas giratorias de empuje cumplen con las normas de seguridad del Instituto Americano de Normas Nacionales y la Comisión de Seguridad de Productos de Consumo de Estados Unidos. La cuchilla gira cuando funciona el motor.

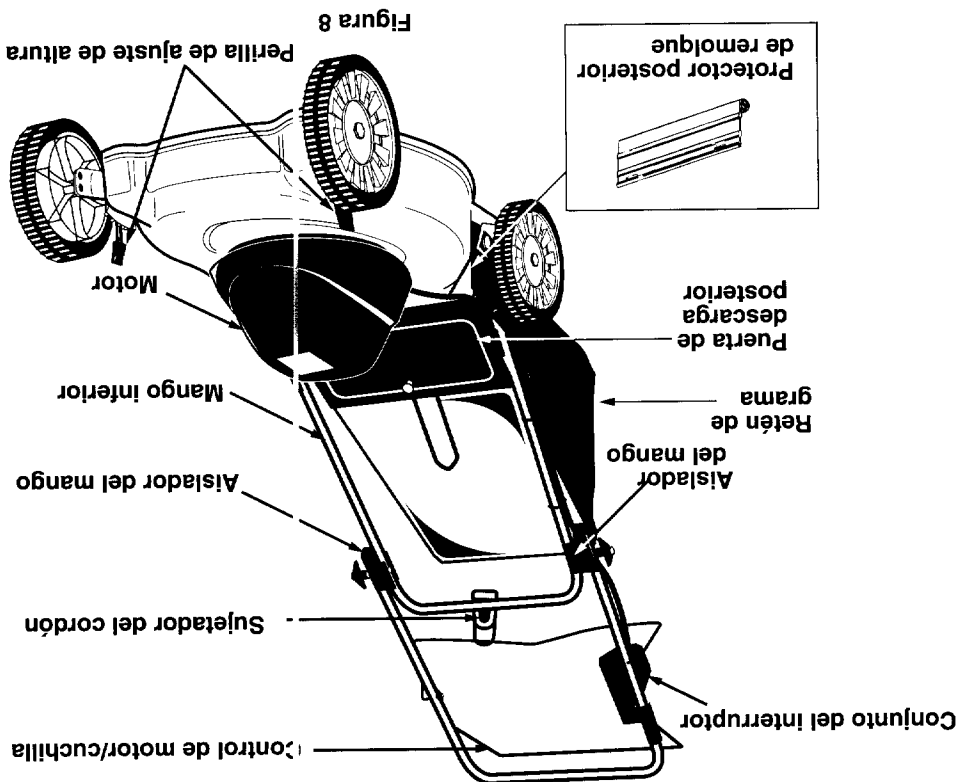


Figura 8

1. CONOZCA SU CORTADORA DE CÉSPED
 ANTES DE OPERAR SU CORTADORA DE CÉSPED LEA ESTE MANUAL DEL PROPIETARIO Y LAS REGLAS DE SEGURIDAD. Compare las ilustraciones con su cortadora de césped para familiarizarse con la ubicación de los diferentes controles y ajustes. Guarde este manual para referen cia futura.

OPERACIÓN

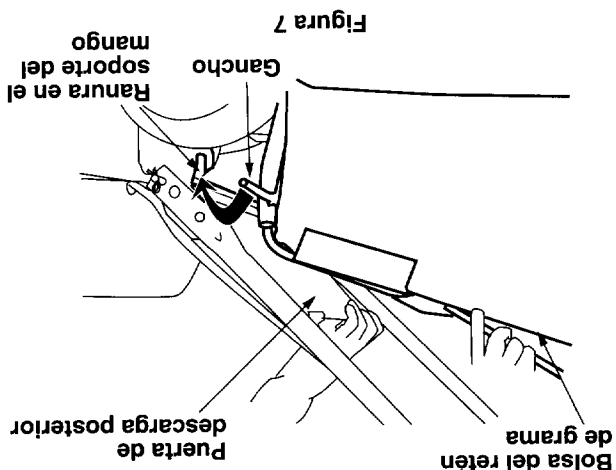


Figura 7

- Eleve la puerta de descarga posterior en la cortadora y extraiga el deflector de acolchado. Vea la figura 5.
- Coloque los ganchos del retén de grama dentro de las ranuras en el conjunto de soportes del mango a cada lado del mango inferior. Vea la figura 7. Suelte.

7. FIJACION DEL RETEN DE GRAMA

- Retire los broches del cabello del orificio exterior en las clavijas soldadas en los soportes de montaje del mango.
- Usando un par de tenazas, presione uno de los soportes del mango interior contra el soporte de montaje del mango. Inserte el broche del cabello dentro del orificio interior de la clavija soldada. Repita en el otro lado. Vea la figura 4.
- Asegúrese que todas las tuercas y pernos estén bien ajustados.

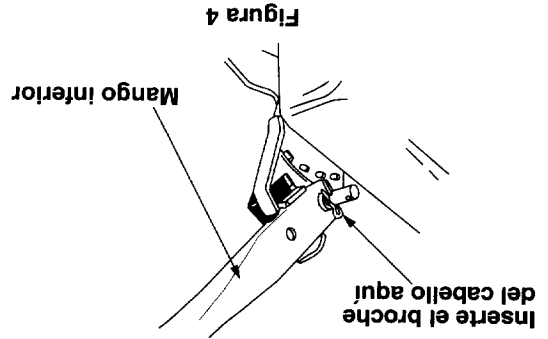
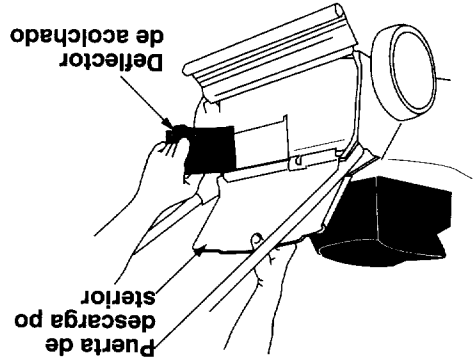


Figura 4

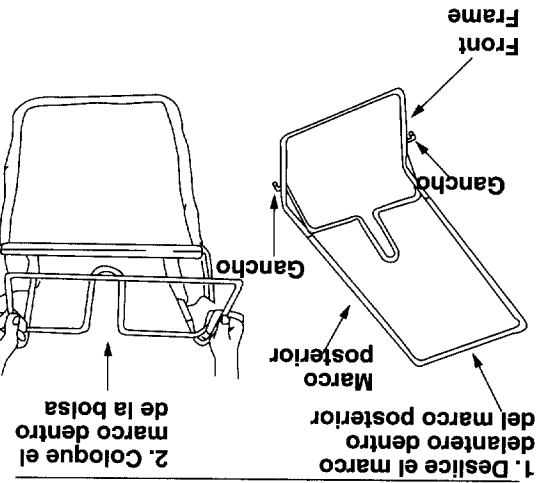


5. CONVERSION DE LA ACOLCHADORA

Su cortadora ha sido despachada como una acolchadora con el deflector acolchador en su lugar. Usted tendrá que instalar el retén de grama, para usar la cortadora como una unidad embolsadora de descarga posterior.

- Para extraer el deflector de acolchado, eleve la puerta de descarga posterior y tire del deflector hacia afuera. Vea la figura 5.
- Para instalar nuevamente el deflector de acolchado, eleve la puerta de descarga posterior y coloque el deflector en la abertura.

Figura 5



6. ENSAMBLADO DEL RETEN DE GRAMA

Nota: Antes de ensamblar, asegúrese que la bolsa de grama esté con el lado derecho hacia afuera con el rótulo de advertencia en la parte de afuera. También el lado de plástico negro es el fondo de la bolsa.

- Inserte el marco delantero dentro del marco posterior tanto como sea posible.
- Coloque el conjunto del marco dentro de la bolsa.
- Deslice el canal plástico de la bolsa sobre el marco (adyacente al mango del retén de grama). Vea la figura 6. Asegúrese que el mango del retén de grama sobresalga de la muesca del canal plástico en la bolsa.

- Inserte los dos ganchos a ambos lados del marco a través de las aberturas a ambos lados de la bolsa. Asegure la bolsa al marco trabajando los canales plásticos en la bolsa sobre el marco en los otros lados, según se muestra en la figura.

Nota: Todo el canal plástico, excepto el tope central de la bolsa, se fija desde el exterior de la bolsa. El tope central de la bolsa se fija desde el interior de la bolsa.

Advertencia: Nunca opere la cortadora a menos que los ganchos del retén de grama estén asentados en las ranuras de los conjuntos de soporte del mango, y la puerta de descarga posterior se apoye firmemente contra el tope del retén de grama.

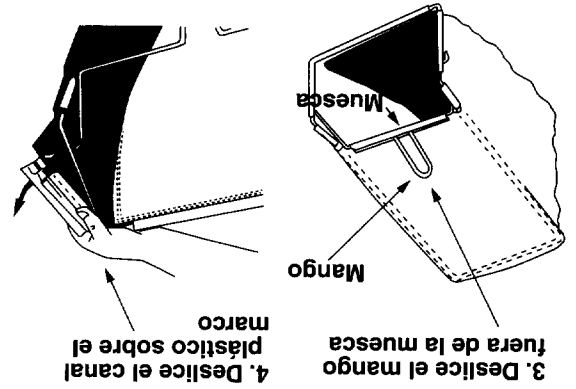


Figura 6

3. Deslice el mango fuera de la muesca

4. Deslice el canal plástico sobre el marco

4. ENSAMBLADO DEL MANGO

- Retírase a la ilustración de abajo
- Extraiga todo el material de empaque incluido para fines de transporte, que pueda estar entre los mangos superior e inferior.
- Tire hacia arriba y hacia atrás del mango superior, para llevar el mango a la posición de operación. Asegúrese que el mango inferior esté asentado seguramente dentro de los soportes de montaje del mango. Vea los pasos 1, 2, y 3 en la figura 2.

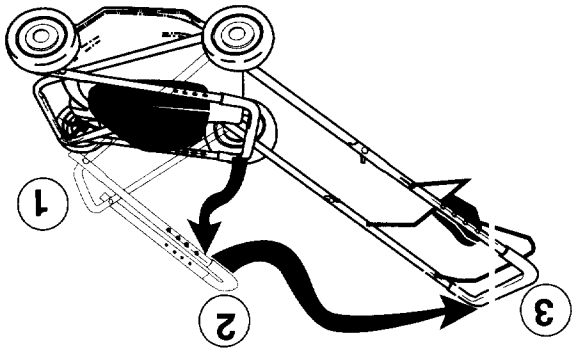


Figura 2

- El mango superior puede ajustarse a tres posiciones diferentes de altura. Para ajustar el mango a la posición deseada, alinee una de las tres marcas en el tope de los aisladores del mango inferior con la marca en los aisladores del mango superior. Vea la figura 3.
- Ajuste las perillas manuales a cada lado del mango. Asegúrese que los pernos de acarreo estén correctamente asentados dentro de los aisladores del mango.

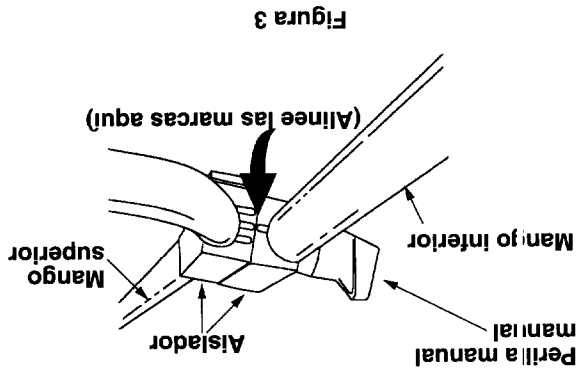


Figura 3

2. PIEZAS SUELTAS EN LA CAJA

- Para abrir la caja, extraiga los broches, rompa el adhesivo en las aletas superiores o corte la cinta del extremo de la caja y pele a lo largo de la aleta superior.
- Extraiga las piezas sueltas si están incluidas con la unidad (por ej., manual del propietario, etc.).
- Corte a lo largo de las líneas punteadas y apoye la caja sobre una superficie plana.
- Extraiga el material de empaque.
- Ruede o deslice la unidad fuera de la caja. Inspeccione completamente la caja por piezas sueltas.

1. EXTRACCION DE LA UNIDAD DE LA CAJA

NOTA: Se observa desde la posición operativa la referencia al lado derecho o izquierdo de la cortadora. Usted deberá usar un cordón de extensión, comando separadamente, para hacer funcionar esta unidad. Por favor, refiérase a la página 10 para una selección correcta del cordón.

- 1. Juego del retén de grama.
- a. Marco delantero
- b. Marco posterior
- c. Bolsa

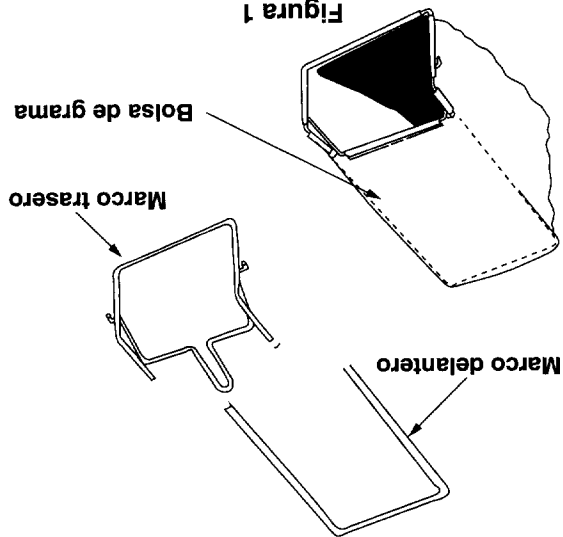


Figura 1

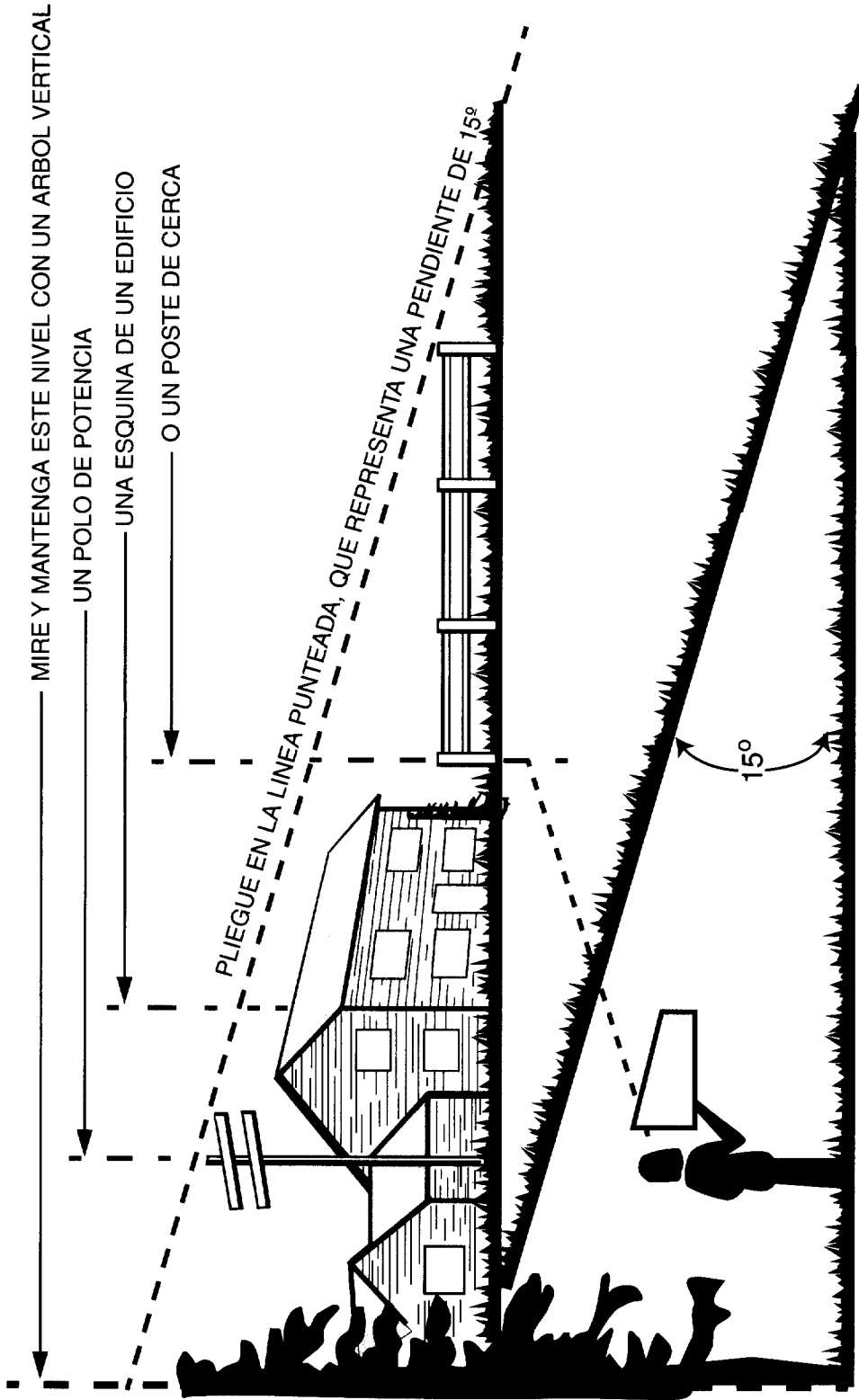
3. HERRAMIENTAS REQUERIDAS

Un par de tenazas



USE ESTA PAGINA COMO GUIA PARA DETERMINAR PENDIENTES DONDE USTED NO PUEDE OPERAR CON SEGURIDAD

INDICADOR DE PENDIENTES

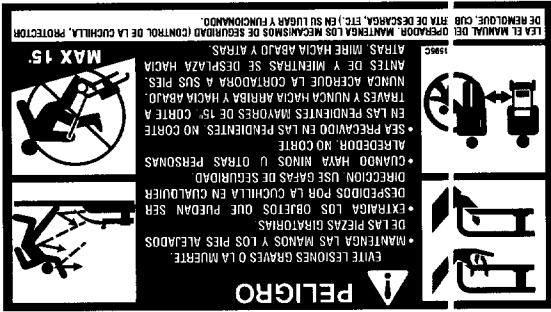


9



ADVERTENCIA

No corte sobre inclinaciones con pendientes en exceso de 15 grados (una elevación de 2-1/2 pies cada 10 pies aproximadamente). Una cortadora con el operador MONTADO podría volcarse y causar lesiones graves. Si opera una cortadora de EMPUJE en una pendiente así, es extremadamente difícil mantenerse bien parado y usted podría resbalar, resultando en lesiones graves. Opere las cortadoras con el operador MONTADO hacia arriba y abajo de las pendientes, nunca a través de la superficie de las mismas. Opere las cortadoras de EMPUJE a través de la superficie de las pendientes, nunca hacia arriba y abajo de las mismas.



Usted encontrará en su cortadora los dos rótulos de seguridad reproducidos abajo. Por favor siga las instrucciones de esos rótulos de seguridad para una operación segura de la cortadora.

1. Advertencia - Antes de efectuar cualquier mantenimiento o prestar servicio a la cortadora, desconecte el cordón de potencia del tomacorriente eléctrico.
2. Inspeccione la cuchilla y los pernos de montaje del motor a intervalos frecuentes, por un ajuste adecuado. Mantenga ajustados todas las tuercas, pernos y tornillos, para asegurarse que el equipo esté en una condición segura de trabajo.
3. Mantenga afiliada la cuchilla.
4. Use sólo cuchillas idénticas de reemplazo. Reemplace el cordón dañado.
5. Mantenga el motor libre de grama, hojas o grasa excesiva, para reducir el riesgo de incendio.
6. Cuando no esté en uso, almacene la cortadora de césped bajo techo. Antes de almacenar en un recinto permita que el motor se enfríe. La cortadora de césped debe almacenarse bajo techo en un lugar seco, alto o cerrado con llave, fuera del alcance de los niños.

4. MANTENIMIENTO Y ALMACENAMIENTO

1. Advertencia - Antes de efectuar cualquier mantenimiento o prestar servicio a la cortadora, desconecte el cordón de potencia del tomacorriente eléctrico.
2. Inspeccione la cuchilla y los pernos de montaje del motor a intervalos frecuentes, por un ajuste adecuado. Mantenga ajustados todas las tuercas, pernos y tornillos, para asegurarse que el equipo esté en una condición segura de trabajo.
3. Mantenga afiliada la cuchilla.
4. Use sólo cuchillas idénticas de reemplazo. Reemplace el cordón dañado.
5. Mantenga el motor libre de grama, hojas o grasa excesiva, para reducir el riesgo de incendio.
6. Cuando no esté en uso, almacene la cortadora de césped bajo techo. Antes de almacenar en un recinto permita que el motor se enfríe. La cortadora de césped debe almacenarse bajo techo en un lugar seco, alto o cerrado con llave, fuera del alcance de los niños.

5. CORTADORA DE CESPED DOBLEMENTE AISLADA

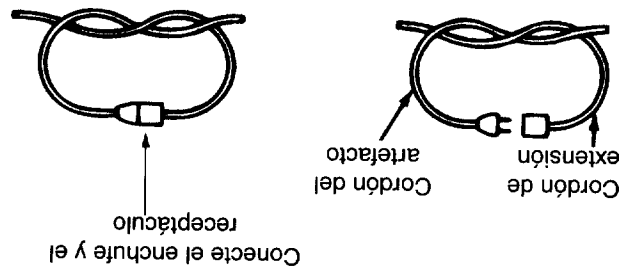
1. La aislación doble es un concepto en seguridad en las cortadoras eléctricas de césped, que elimina la necesidad del cordón común de potencia de tres conductores conectado a tierra. Siempre que haya corriente eléctrica en la cortadora existen dos juegos completos de aislación para proteger al usuario. Todas las piezas expuestas de metal están aisladas de los componentes internos de metal mediante una aislación protectora.
2. **IMPORTANTE** - El prestar servicio a una cortadora de césped con aislación doble requiere ser muy precavido y tener conocimiento del sistema y de ser efectuado sólo por un técnico calificado de servicio. Para un servicio de reparación sugerido que retorne la cortadora de césped a su distribuidor autorizado de servicio más cercano. Al prestar servicio, use siempre piezas originales de reemplazo.
7. Mantenga con cuidado la cortadora de césped. Mantenga la cuchilla afiliada y limpia para obtener un funcionamiento mejor y más seguro. Para lubricar y cambiar los accesorios siga las instrucciones.
8. Inspeccione frecuentemente la bolsa del reten de grama por desgaste o deterioro. Reemplace inmediatamente una bolsa gastada o averiada. Asegúrese que la bolsa de reten cumple con las especificaciones originales del equipo.
9. La aislación doble es un concepto en seguridad en las cortadoras eléctricas de césped, que elimina la necesidad del cordón común de potencia de tres conductores conectado a tierra. Siempre que haya corriente eléctrica en la cortadora existen dos juegos completos de aislación para proteger al usuario. Todas las piezas expuestas de metal están aisladas de los componentes internos de metal mediante una aislación protectora.

GUARDE ESTAS INSTRUCCIONES

3. OPERACION

1. No abuse el cordón - nunca tire de la cortadora por el cordón ni lo tire bruscamente para desconectarlo del receptáculo. Mantenga el cordón alejado del calor, aceite y bordes afilados. Desconecte el cordón de extensión del receptáculo del hogar, si el cordón de extensión estuviera dañado de alguna manera mientras está enchufado.
2. No coloque las manos ni los pies cerca ni debajo de las piezas giratorias. Manténgase alejado en todo momento de las aberturas de descarga, ya que la cuchilla giratoria puede causar lesiones.
3. Apague el motor al abandonar la cortadora y antes de cruzar caminos particulares de pedregalillo, senderos o carreteras.
4. Apague el motor después de impactar un objeto extraño y asegúrese bien que la cuchilla y todas las piezas móviles se hayan detenido completamente, desconecte el cordón de potencia para prevenir el arranque accidental y a continuación inspeccione completamente la cortadora por averías. Tal avería debe repararse antes de arrancar nuevamente y operar la cortadora.
5. Si el equipo comenzara a vibrar anormalmente, apague el motor e inspeccione inmediatamente la causa. La vibración es generalmente una advertencia de problemas.
6. Apague el motor, desenchufe el cordón de potencia y espere que se detengan la cuchilla y todas las piezas móviles, antes de limpiar o destapar, reparar o inspeccionar la cortadora. La cuchilla de corte continúa girando por unos pocos segundos después que se apague el motor.
7. No fuerce la cortadora de césped. Efectuará la tarea mejor y con más seguridad a la velocidad correcta para la cual fue diseñada. Use el artefacto correcto - No use la cortadora de césped para ninguna tarea excepto aquellas para las cuales está dedicada.
8. Corte a través de la superficie de las pendientes, nunca hacia arriba y hacia abajo. Nunca corte el césped tirando de la cortadora hacia usted. Sea muy precavido al operar la cortadora sobre un terreno irregular o al cambiar de dirección en las pendientes. No corte en pendientes excesivamente escarpadas. No se incline demasiado. Asegúrese siempre de pararse firmemente y mantenga el equilibrio. Un resbalón y una caída puede causar lesiones personales graves.
9. Nunca opere la cortadora sin que las guardas, placas u otros mecanismos protectores de seguridad estén en su lugar y en buenas condiciones de trabajo.
10. El control de cuchilla/motor en esta cortadora está instalado para minimizar el riesgo de lesiones por contacto con la cuchilla y se requiere por las regulaciones federales. No trate, bajo ninguna circunstancia, de anular la función de control de cuchilla/motor.

necesita un cordón más largo, puede usarse un tamaño de 150' de un cordón 12AWG. Un cordón de tamaño menor que el correspondiente causará una caída en el voltaje de línea resultando en pérdida de potencia y sobrecalentamiento. Asegúrese de usar el sujetador provisto del cordón o de hacer un nudo según se muestra en la ilustración de abajo para reducir la posibilidad de desconexión del juego del cordón de extensión de la cortadora.



9. Su cortadora está equipada con un enchufe polarizado (una cuchilla del enchufe es más ancha que la otra), para reducir el riesgo de choque eléctrico. Si el tomacorriente del extremo de su cordón de extensión no se adapta completamente dentro del enchufe de su cortadora, invierta el tomacorriente y trate de enchufar nuevamente. Lo mismo es cierto para el extremo del cordón de extensión que usted enchufa dentro del tomacorriente de su hogar. Consulte con un electricista calificado para instalar el tomacorriente y/o enchufe adecuados, si después de invertir las conexiones, cualquier de ellas todavía no se adapta. Absolutamente no cambie el enchufe de la cortadora. Inspeccione periódicamente el cordón de extensión y reemplácelo si está dañado. Mantenga los mangos secos, limpios y libres de aceite y grasa.
11. Fusibles - La cortadora debe operarse en un circuito de 15 ó 20 AMPERIOS. Consulte con su centro más cercano autorizado de servicio, si usted experimenta dificultades en arrancar con un fusible o interruptor de circuitos estándar de 15 AMPERIOS. No use un fusible de clasificación nominal mayor sin consultar antes con su compañía eléctrica.
12. Debe proveerse protección de Interruptor de Circuito de Falla a Tierra (GFCI) en el circuito(s) o el tomacorriente(s) a usarse en la cortadora de césped. Están disponibles receptáculos con protección incorporada de GFCI y puede usarse para esta medida de seguridad.
13. Antes de operar esta unidad en un área empinada o escarpada, use el indicador de pendientes incluido como parte de este manual, para su seguridad. Si la inclinación es mayor que 15° según se muestra en el indicador de pendientes, no opere esta unidad en ese área ya que podría resultar en lesiones graves.

PRACTICAS SEGURAS DE OPERACION

Este símbolo indica instrucciones importantes de seguridad las cuales, si no se siguen, podrían hacer peligrar la seguridad personal y/o la propiedad suya y de terceros. Lea y siga todas las instrucciones en este manual antes de intentar operar su cortadora eléctrica de césped. El no cumplir con estas instrucciones puede resultar en lesiones personales. Cuando vea este símbolo - obedezca su advertencia.



PELIGRO: Su cortadora eléctrica de césped fue construida para operar de acuerdo con las reglas de operación segura de este manual. Lo mismo que con cualquier tipo de equipo motorizado, la falta de cuidado o error por parte del operador puede resultar en una lesión grave. Si usted violara cualquiera de estas reglas, puede causar lesiones graves a usted mismo o a terceros.



ADVERTENCIA: Se deben seguir siempre precauciones básicas de seguridad para reducir el riesgo de incendio, choque eléctrico y lesiones personales, incluyendo lo siguiente:



1. ENTRENAMIENTO

1. Lea cuidadosamente todas las instrucciones en su totalidad antes de intentar ensamblar u operar esta máquina. Familiarícese completamente con los controles y el uso correcto de esta máquina, antes de operar. Mantenga este manual en un lugar seguro para referencia regular y futura y para ordenar piezas de repuesto.
2. Su cortadora giratoria es una pieza de precisión de equipo motorizado y no un juguete. Por consiguiente sea extremadamente precavido en todo momento.
3. Use el artefacto correcto - No use la cortadora de césped para ninguna tarea excepto aquellas para las cuales está dedicada.
4. Nunca permita que los niños operen una cortadora motorizada. Sólo debe permitir usar su cortadora a las personas bien familiarizadas con esas reglas de operación segura.
5. Ninguna persona debe operar esta unidad mientras esté intoxicada o mientras tome cualquier medicación que altere los sentidos o las reacciones.
6. Permanezca alerta - Observe lo que está haciendo. Use sentido común. Cuando esté cansado no opere la cortadora de césped.
7. Mantenga el área de operaciones despejada de todas las personas, particularmente niños pequeños y animales domésticos. Apague el motor cuando estén cerca de su cortadora. A pesar que el área de operaciones debe estar completamente despejada de objetos extraños, puede no haberse recogido un objeto el que podría ser accidentalmente despedido por la cortadora en cualquier dirección y causar lesiones personales graves al operador o a otras personas permitidas en el área.

2. PREPARACION

1. Inspeccione completamente el área donde se usará el equipo. Retire todas las piedras, palos, alfileres, huesos y otros objetos extraños que pueden ser tomados y despedidos por la cortadora y causar lesiones personales graves al operador o a otras personas permitidas en el área.
2. Durante la operación o al efectuar un ajuste o reparación, use siempre gafas de seguridad o protección de los ojos, para proteger los ojos contra objetos extraños que puedan ser despedidos por la máquina en cualquier dirección. Si la operación es peligrosa, use una máscara facial o protección contra el polvo.
3. Vístase adecuadamente. Use zapatos resistentes, de suela áspera. Nunca opere una unidad si está descalzo o usa sandalias o zapatillas. No use ropas holgadas ni joyas. Las mismas pueden quedar atrapadas en las piezas móviles. Se recomienda usar guantes y calzado de goma al trabajar al aire libre.
4. Mientras el motor está funcionando, nunca trate de ajustar el motor.
5. Corte sólo a la luz del día o bajo una buena luz artificial.
6. Evite un medio ambiente peligroso - Nunca opere el equipo bajo la lluvia o en sitios húmedos o mojados. Asegúrese siempre de pararse firmemente. Un resbalón y una caída puede causar lesiones personales graves. Sujete firmemente el mango y carmine, nunca corra.
7. **Advertencia** - Para prevenir el choque eléctrico, use sólo con un cordón de extensión listado por UL, adecuado para uso al aire libre, tal como Tipo A, SJTW-A o SJTOW-A.
8. Cordón de extensión - Asegúrese que su cordón de extensión esté en buenas condiciones, que sea suficientemente pesado para acarrear la corriente que absorberá su cortadora, y que esté polimerizado (una cuchilla del enchufe es más ancha que la otra). Debe usarse un tramo de 100' de un cordón de extensión 14 AWG. Un sustituto aceptable es un tramo de 50' de un cordón de extensión 16AWG. Para aplicaciones donde se

TABLA DE CONTENIDO

Contenido	Página
Información de garantía	2
Prácticas seguras de operación	3
Indicador de pendiente	6
Ensamblado	7
Operación	9
Contenido	Página
Mantenimiento	12
Servicio y Ajuste	15
Almacenamiento fuera de temporada	15
Localización de fallas	16

GARANTIA DE INFORMACION

Garantía por un año de la Cortadora de Césped Craftsman

Sears reparará, libre de cargo, cualquier defecto de material o mano de obra, por un año a partir de la fecha de compra, cuando esta cortadora de césped Craftsman sea mantenida, lubricada y afinada de acuerdo con las instrucciones de operación y mantenimiento del manual del operador.

Esta garantía excluye las cuchillas de la cortadora y los adaptadores de las cuchillas, que son piezas descartables y se gastan durante el uso normal.

Esta garantía se aplica sólo por 30 días a partir de la fecha de compra, si esta cortadora de césped se usa para fines comerciales o de alquiler.

EL SERVICIO DE GARANTIA ESTA DISPONIBLE CONSULTANDO CON EL CENTRO

DE SERVICIO SEARS MAS CERCANO EN LOS ESTADOS UNIDOS. ESTA GARANTIA SE APLICA MIENTRAS ESTE PRODUCTO SE USE EN LOS ESTADOS UNIDOS SOLAMENTE.

Esta garantía le otorga derechos legales específicos y usted puede tener también otros derechos que varían de Estado a Estado.

SEARS, ROEBUCK AND CO., D/817WA, HOFFMAN STATES, IL.60179

ACCESORIOS

Estos accesorios estaban disponibles en la fecha de compra de la cortadora. Están también disponibles en la mayoría de las tiendas minoristas y centros de catálogos y servicios de Sears. La mayoría de las tiendas pueden ordenar piezas de repuesto para usted cuando usted provea el número de modelo de su cortadora de césped.



Bolsa para césped
(Part No. 764-0447)



Cuchilla
(Part No. 742-0719)



Adaptador de cuchilla



Ruedas

Cordon de extensión
(Not Shown)

ESPECIFICACIONES DEL PRODUCTO	
Voltaje:	110-120 voltios de CA
Amperaje:	12 amperios
Hz.:	60
Par torsor del perno de la cuchilla	450-600 Pulg.lbs

Los números de modelo y de serie están en un rótulo pegado a la plataforma, cerca de la rueda posterior derecha. Para referencia futura, registre el número de serie y la fecha de compra y guárdelos en un lugar seguro.

Número de modelo _____
 Número de serie _____
 Fecha de compra _____

SEARS Manual del Propietario

CRAFTSMAN

CORTADORA ACOLCHADORA DE CESPED

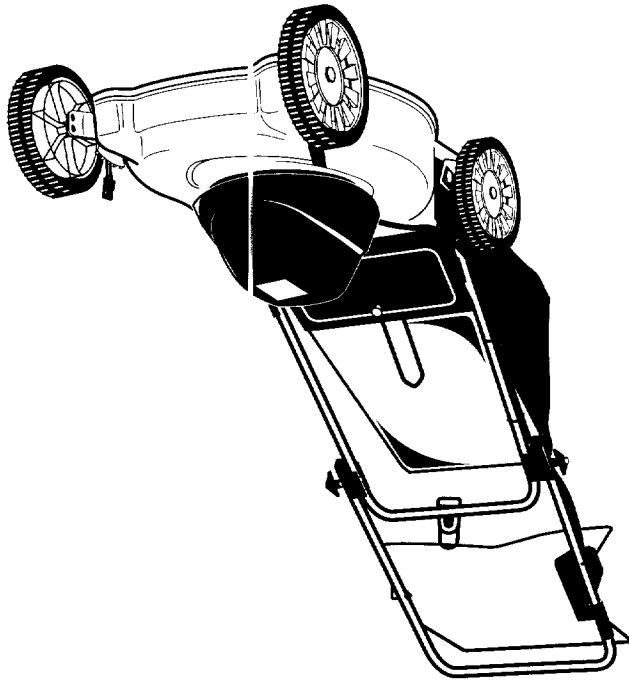
ELECTRICA, 110 VOLTIOS 12 AMPERIOS

AISLACION DOBLE

DESCARGA POSTERIOR DE 19"

No. de modelo

247.370253



PRECAUCION: Antes de usar este producto, lea este manual y siga todas las Reglas de Seguridad y las Instrucciones de Operación.

Sears, Roebuck And Co., Hoffman Estates, IL 60179, U.S.A.

Impreso en U.S.A.

770-0253M

Free Manuals Download Website

<http://myh66.com>

<http://usermanuals.us>

<http://www.somanuals.com>

<http://www.4manuals.cc>

<http://www.manual-lib.com>

<http://www.404manual.com>

<http://www.luxmanual.com>

<http://aubethermostatmanual.com>

Golf course search by state

<http://golfingnear.com>

Email search by domain

<http://emailbydomain.com>

Auto manuals search

<http://auto.somanuals.com>

TV manuals search

<http://tv.somanuals.com>