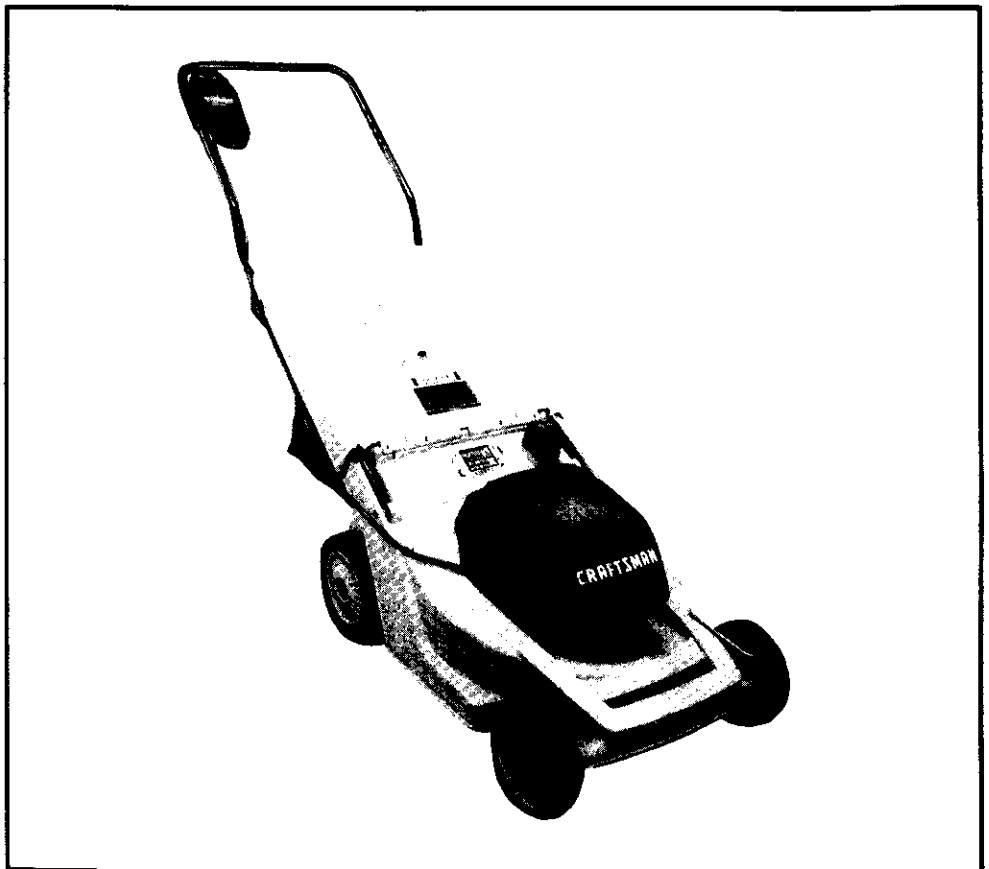


**SEARS**

**OWNER'S  
MANUAL**

**MODEL NO.  
247.370320**

**Caution:  
Read and Follow  
All Safety Rules  
and Instructions  
Before Operating  
This Equipment**



**CRAFTSMAN®**

**110V 12AMP ELECTRIC  
DOUBLE INSULATED  
18" REAR DISCHARGE  
ROTARY LAWN MOWER**

**Assembly  
Operation  
Maintenance  
Service and Adjustment  
Repair Parts**

**SEARS, ROEBUCK AND CO., Chicago, IL 60684 U.S.A.**

# IMPORTANT

## RULES FOR SAFE OPERATION



THIS SYMBOL POINTS OUT IMPORTANT SAFETY INSTRUCTIONS WHICH, IF NOT FOLLOWED, COULD ENDANGER THE PERSONAL SAFETY AND/OR PROPERTY OF YOURSELF AND OTHERS. READ AND FOLLOW ALL INSTRUCTIONS IN THIS MANUAL BEFORE ATTEMPTING TO OPERATE YOUR ELECTRIC LAWN MOWER. FAILURE TO COMPLY WITH THESE INSTRUCTIONS MAY RESULT IN PERSONAL INJURY. WHEN YOU SEE THIS SYMBOL—



HEED ITS WARNING.



### DANGER:

Your electric lawn mower was built to be operated according to the rules for safe operation in this manual. As with any type of power equipment, carelessness or error on the part of the operator can result in serious injury. If you violate any of these rules, you may cause serious injury to yourself or others.



### TRAINING

- Read this owner's manual carefully in its entirety before attempting to assemble or operate this machine. Be completely familiar with the controls and the proper use of this machine before operating it. Keep this manual in a safe place for future and regular reference and for ordering replacement parts.
- Your rotary mower is a precision piece of power equipment, not a plaything. Therefore, exercise extreme caution at all times.
- Never allow children to operate a power mower. Only persons well acquainted with these rules of safe operation should be allowed to use your mower.
- No one should operate this unit while intoxicated or while taking medication that impairs the senses or reactions.
- Keep the area of operation clear of all persons, particularly small children and pets. Stop motor when they are in the vicinity of your mower. Although the area of operation should be completely cleared of foreign objects, an object may have been overlooked and could be accidentally thrown by the mower in any direction and cause serious personal injury to the operator or any others allowed in the area.

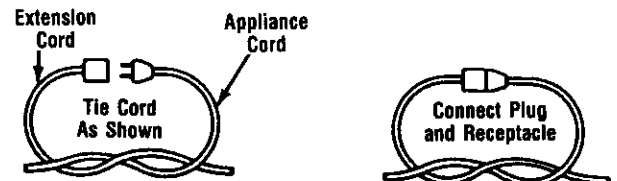


### PREPARATION

- Thoroughly inspect the area where the equipment is to be used. Remove all stones, sticks, wire, bones and other foreign objects which could be picked up and thrown by the mower in any direction and cause serious personal injury to the operator or any others allowed in the area.
- Always wear safety glasses or eye shields during operation or while performing an adjustment or repair, to protect eyes from foreign objects that may be thrown from the machine in any direction.
- Dress properly. Wear sturdy, rough-soled work shoes. Never operate a unit in barefeet, sandals or sneakers. Do not wear loose clothing or jewelry. They can be caught in moving parts. Use of rubber gloves and footwear is recommended when working outdoors.
- Never attempt to make a wheel or cutting height adjustment while the motor is running.
- Mow only in daylight or in good artificial light.
- Never operate the equipment in the rain or in damp wet locations. Always be sure of your footing. A slip and fall can cause serious personal injury. Keep a firm hold on the handle and walk, never run. Do not over-reach—keep footing and balance at all times.
- Warning—To prevent electric shock hazard, use only with an extension cord suitable for outdoor use. Use only UL approved outdoor extension cords of adequate gauge (minimum 16 gauge recommended) which accept the lawn mower's plug.
- Cord sets—Make sure your cord set is in good condition. When using a cord set, be sure to use one heavy enough to carry the current your lawn mower will draw. For lengths less than 50 feet, No. 16 AWG cord set should be used. An undersized cord will cause a drop in line voltage resulting in loss of power and overheating. (NOTE: Table below shows the correct size to use depending on cord length and nameplate ampere rating. If in doubt, use the next heavier gauge. The smaller the gauge number the heavier the cord.)

Required Cord Gauge				
Motor Amp Rating	Cord Length in Feet			
	25	50	100	150
Wire Gauge				
10-12	16	16	14	12

- If extension cord is damaged in any manner while plugged in, pull extension cord from wall receptacle.
- To prevent disconnection of extension cord from mower during operation, be sure to use the cord restraint provided or make a knot as shown in the illustration below.



- Fuses—The mower should be operated on a 15 or 20 AMP circuit. If difficulty in starting is experienced with a standard 15 AMP fuse or circuit breaker, contact your nearest authorized service location. Do not use a higher rated fuse without consulting your power company.
- For your safety, use the slope gauge included as part of this manual to measure slopes before operating this unit on a sloped or hilly area. If the slope is greater than 15° as shown on the slope gauge, do not operate this unit on that area or serious injury could result.



### OPERATION

- Avoid accidental starting. Do not pull plugged-in lawn mower with finger on switch. Be sure switch is **off** when plugging in.
- Do not abuse cord—never pull lawn mower by cord or yank it to disconnect from receptacle. Keep cord from heat, oil, and sharp edges.
- Do not put hands or feet near or under rotating parts. Keep clear of the discharge opening at all times as the rotating blade can cause injury.
- Stop the motor when you leave the mower and before crossing gravel drives, walks or roads.
- After striking a foreign object, shut off the motor, make absolutely sure the blade and all moving parts have completely stopped, disconnect the power cord to prevent accidental starting, then thoroughly inspect the mower for any damage. Such damage must be repaired before restarting and operating the mower.
- If the equipment should start to vibrate abnormally, stop the motor and check immediately for the cause. Vibration is generally a warning of trouble.
- Stop the motor, unplug the power cord, and wait for the blade and all moving parts to stop before cleaning, unlogging chute, removing grass clog, repairing or inspecting the mower. The cutting blade continues to rotate for a few seconds after the motor is shut off.

## SAFE OPERATION PRACTICES (Continued)

- Do not force lawn mower. It will do the job better and safer at the rate for which it was designed. Do not use lawn mower for any job except that for which it is intended.
- Mow across the face of slopes, never up-and-down. Never cut grass by pulling mower toward you. Exercise extreme caution when operating mower on uneven terrain or changing direction on slopes. Do not mow excessively steep slopes. Always be sure of your footing. A slip and fall can cause serious personal injury.
- Never operate mower without proper guards, plates or other safety protective devices in place.
- **The blade/motor control on this mower is installed to minimize the risk of blade contact injury and is required by federal regulations. Do not under any circumstances attempt to defeat the function of the blade/motor control.**
- To avoid electric shock hazard, never push mower over cord. Do not mow around the lawn in circles. Always travel back and forth across the lawn, beginning at the point nearest the electric outlet to which the extension cord is connected. This will keep the cord on the mowed area of the lawn and out of the way.
- Do not operate mower after it has been dropped or damaged in any manner. Return mower to nearest authorized service location.
- The use of accessory attachments not recommended by the mower manufacturer may cause hazards.
- Do not operate this mower with the chute door open, unless the complete grass catcher or chute deflector is properly mounted on the mower.

tightness. Keep all nuts, bolts, and screws tight to be sure the equipment is in safe working condition.

- Keep blade sharp.
- Use identical replacement blades only. Repair or replace damaged cord.
- To reduce fire hazard, keep the motor free of grass, leaves, or excessive grease.
- Check the grass catcher bag frequently for wear or deterioration and replace worn bags. For safety protection, replace only with new bag meeting original equipment specifications.
- Store idle lawn mower indoors when not in use. Allow motor to cool before storing in any enclosure. Lawn mower should be stored indoors in dry, high or locked-up place, out of reach of children.
- Maintain lawn mower with care. Keep blade sharp and clean for best and safest performance. **Follow instructions for lubricating and changing accessories.**



### DOUBLE INSULATED LAWN MOWER

**DOUBLE INSULATION** IS A CONCEPT IN SAFETY IN ELECTRIC LAWN MOWERS, WHICH ELIMINATES THE NEED FOR THE USUAL THREE WIRE GROUNDED POWER CORD AND GROUNDED SUPPLY SYSTEM. WHEREVER THERE IS ELECTRIC CURRENT IN THE MOWER, THERE ARE TWO COMPLETE SETS OF INSULATION TO PROTECT THE USER. ALL EXPOSED METAL PARTS ARE ISOLATED FROM THE INTERNAL METAL MOTOR COMPONENTS WITH PROTECTING INSULATION.

**IMPORTANT**—SERVICING OF A LAWN MOWER WITH DOUBLE INSULATION REQUIRES EXTREME CARE AND KNOWLEDGE OF THE SYSTEM AND SHOULD BE PERFORMED ONLY BY A QUALIFIED SERVICE TECHNICIAN. FOR SERVICE WE SUGGEST YOU RETURN THE LAWN MOWER TO YOUR NEAREST AUTHORIZED SERVICE DEALER FOR REPAIR. ALWAYS USE ORIGINAL FACTORY REPLACEMENT PARTS WHEN SERVICING.



### MAINTENANCE AND STORAGE

- Warning—Disconnect power cord from electrical outlet before performing any maintenance or service on mower.
- Check the blade and motor mounting bolts at frequent intervals for proper

**CONGRATULATIONS** on your purchase of a Sears Craftsman Lawn Mower. It has been designed, engineered and manufactured to give you the best possible dependability and performance.

Should you experience any problem you cannot easily remedy, please contact your nearest Sears Service Center/Department. We have competent, well-trained technicians and the proper tools to service or repair this unit.

Please read and retain this manual. The instructions will enable you to assemble and maintain your lawn mower properly. Always observe the "SAFETY RULES."

MODEL NUMBER 247.370320

SERIAL NUMBER \_\_\_\_\_

DATE OF PURCHASE \_\_\_\_\_

THE MODEL AND SERIAL NUMBERS WILL BE FOUND ON A LABEL ATTACHED TO THE REAR OF THE DECK. YOU SHOULD RECORD BOTH SERIAL NUMBER AND DATE OF PURCHASE AND KEEP IN A SAFE PLACE FOR FUTURE REFERENCE.

## PRODUCT SPECIFICATIONS

VOLTAGE:	110 - 120 AC
AMPERAGE:	12
Hz:	60
BLADE NUT TORQUE:	30-35 ft. lbs.

## MAINTENANCE AGREEMENT

A Sears Maintenance Agreement is available on this product. Contact your nearest Sears store for details.

## CUSTOMER RESPONSIBILITIES

- Read and observe the safety rules.
- Follow a regular schedule in maintaining, caring for and using your lawn mower.
- Follow the instructions under "Maintenance" and "Storage" sections of this Owner's Manual.

# TABLE OF CONTENTS

SAFETY RULES .....2	MAINTENANCE .....17
PRODUCT SPECIFICATIONS .....3	SERVICE AND ADJUSTMENT .....10
CUSTOMER RESPONSIBILITIES .....3	STORAGE .....11
INDEX .....4	SERVICE RECOMMENDATIONS .....11
WARRANTY .....4	TROUBLE SHOOTING .....12
CONTENTS OF HARDWARE PACK .....5	SLOPE GAUGE .....13
ASSEMBLY .....5, 6	REPAIR PARTS .....14-18
OPERATION .....7-9	PARTS ORDERING/SERVICE .....BACK PAGE

## INDEX

<p style="text-align: center;"><b>A</b></p> <p>Adjustments: Cutting Height .....8</p> <p>Assembly: Chute Deflector .....6 Handle .....6 Grass Catcher .....6</p> <p style="text-align: center;"><b>B</b></p> <p>Blade: Balancing .....10 Replacement .....10 Sharpening .....10</p> <p style="text-align: center;"><b>C</b></p> <p>Cleaning .....10</p> <p>Controls: Motor/Blade Control .....8 Height Adjustment Knob .....8</p> <p>Cord Restraint .....5-8 Customer Responsibilities .....3 Cutting Heights .....8</p> <p style="text-align: center;"><b>E</b></p> <p>Extension Cord .....2, 8, 11</p>	<p style="text-align: center;"><b>H</b></p> <p>Hardware Pack Contents .....5 Handle Storage .....11</p> <p style="text-align: center;"><b>L</b></p> <p>Lubrication: Motor .....11 Wheels .....11</p> <p style="text-align: center;"><b>M</b></p> <p>Maintenance: Agreement .....3 Blade Care/Replacement .....10 Cleaning .....10 Lubrication .....11</p> <p style="text-align: center;"><b>O</b></p> <p>Operating Mower .....7-9</p> <p style="text-align: center;"><b>R</b></p> <p>Repair/Replacement Parts...14-18 Responsibilities, Customer .....3</p>	<p style="text-align: center;"><b>S</b></p> <p>Safety Rules .....2</p> <p>Service and Adjustments: Cutting Height .....8 Rear Trail Shield .....10</p> <p>Service Recommendations .....11 Specifications .....3 Starting the Motor/Blade .....9 Stopping the Motor/Blade .....9 Storage .....11</p> <p style="text-align: center;"><b>T</b></p> <p>Table of Contents .....4 Trouble Shooting Guide .....12</p> <p style="text-align: center;"><b>W</b></p> <p>Warranty .....4</p> <p>Wheels: Adjusting Height .....8 Lubrication .....11</p>
--	---	--

## WARRANTY

### ONE YEAR LIMITED WARRANTY ON CRAFTSMAN LAWN MOWER

For one year from the date of purchase, when this Craftsman Lawn Mower is maintained and lubricated according to the instructions in the owner's manual, Sears will repair, free of charge, any defect in material and workmanship.

If this Craftsman Lawn Mower is used for commercial or rental purposes, this warranty applies for only 90 days from the date of purchase.

This warranty does not cover:

- Expendable items which become worn during normal use, such as mower blades or blade adapters.
- Repairs necessary because of operator abuse or negligence, including bent motor shafts and the failure to maintain the equipment according to the instructions contained in the owner's manual.

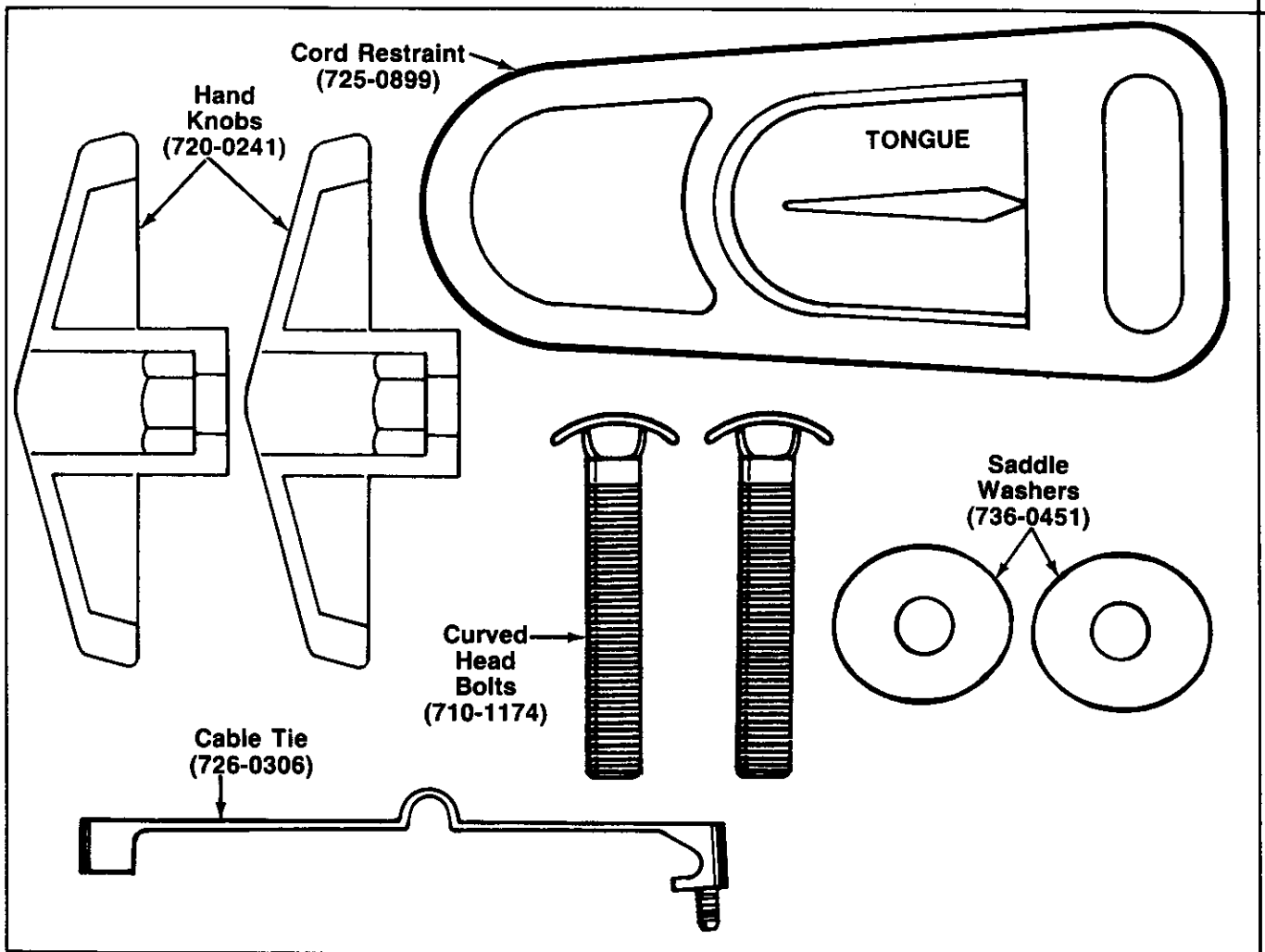
WARRANTY SERVICE IS AVAILABLE BY RETURNING THE CRAFTSMAN LAWN MOWER TO THE NEAREST SEARS SERVICE CENTER/DEPARTMENT IN THE UNITED STATES. THIS WARRANTY APPLIES ONLY WHILE THIS PRODUCT IS IN USE IN THE UNITED STATES.

This warranty gives you specific legal rights, and you may also have other rights which may vary from state to state.

SEARS, ROEBUCK AND CO. Department 731CR-W Sears Tower, Chicago, IL 60684

# CONTENTS OF HARDWARE PACK

(Hardware pack may contain extra items which are not used on your unit. Part numbers are shown in parentheses.)



## ASSEMBLY INSTRUCTIONS

**NOTE:** Reference to right or left hand side of the mower is observed from behind the mower in the operating position.

Read this manual in its entirety before attempting to assemble or operate the lawn mower.

For shipping purposes, the lawn mower has been assembled at the factory, except for the upper handle. The necessary hardware is found in the hardware pack. Before assembling or operating the mower, check for damage and/or missing parts. Do not operate this mower until the following steps have been completed.

### UNPACKING

- Remove the lawn mower from the carton by opening the top flaps and removing the carton inserts, grass catcher, chute deflector and hardware pack.
- Cut along the corners on one end of the carton, and lay the end of the carton down flat.
- Roll mower out of carton. Make certain all parts and literature have been removed from the carton before the carton is discarded.

**NOTE:** The control cord is attached to both the upper handle and the motor. Use care in removing the mower from the carton.

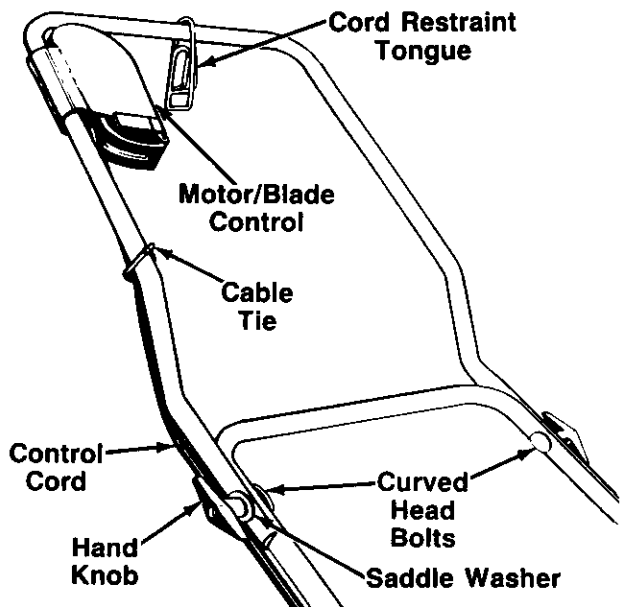


FIGURE 1.

## ATTACHING THE HANDLE

- Lay the upper handle to the right side of the mower so the control cord is out of the way.
- Pull up and back on the lower handle until it locks into operating position.
- Attach the upper handle as follows.
  - a. Slide cord restraint onto the top of upper handle, so the tongue of the cord restraint is away from the motor/blade control as shown in figure 1.
  - b. Place the upper handle position over lower handle. Make certain the control cord is routed to the outside and below lower handle as shown in figure 1.
  - c. Secure the handles using the curved head bolts, saddle washers and hand knobs as shown. Tighten securely.
- Attach the control cord to the upper handle at the position shown in figure 1, using the cable tie provided.

## ATTACHING THE GRASS CATCHER OR CHUTE DEFLECTOR

Your mower is equipped with a grass catcher to bag grass clippings, and a chute deflector to allow clippings to be discharged to the side when bagging is not desired.



**WARNING: DO NOT OPERATE YOUR MOWER UNLESS THE COMPLETE GRASS CATCHER OR CHUTE DEFLECTOR IS PROPERLY MOUNTED ON THE MOWER.**

### TO ATTACH THE GRASS CATCHER

Lift the chute door on the back of the mower. Lower grass catcher into position. The grass catcher must rest firmly on the lower handle of the mower. Release the chute door. Make certain the magnets on the grass catcher bag secure the chute door firmly, see figure 2.

### TO REMOVE THE GRASS CATCHER

Raise the chute door and lift the grass catcher up. Release the chute door.

### TO ATTACH THE CHUTE DEFLECTOR

Lift the chute door on the back of the mower. Insert the tab end of the chute deflector into the mower discharge opening, sliding the two tabs on the top of the chute deflector into the notches inside the discharge opening. See figure 3. One side at a time, push the lower edge of the discharge chute down until the tab on the discharge chute snaps into the hole in the mower. Release the chute door.



**WARNING: MAKE CERTAIN ALL FOUR TABS ON THE CHUTE DEFLECTOR ARE SEATED SECURELY INTO THE MOWER BEFORE OPERATING THE MOWER.**

### TO REMOVE THE CHUTE DEFLECTOR

Lift the chute door on the back of the mower. Grasp the inside lower edge of the chute deflector. Pull upward and outward to remove the deflector. Release the chute door.

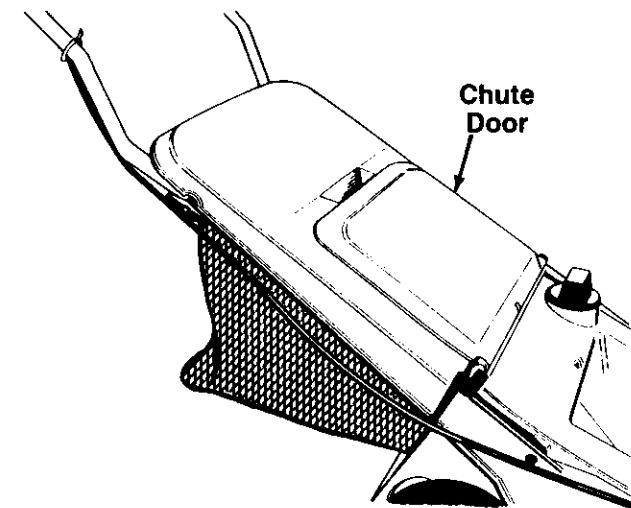


FIGURE 2.

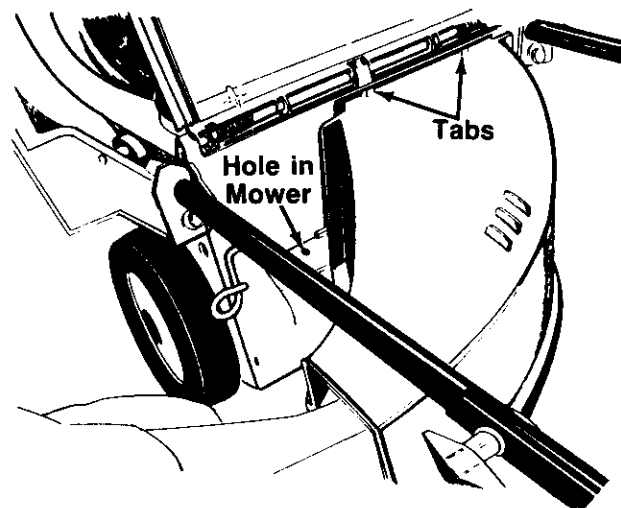


FIGURE 3.

---

# OPERATION

---

## KNOW YOUR LAWN MOWER

READ THIS OWNER'S MANUAL AND SAFETY RULES BEFORE OPERATING YOUR LAWN MOWER. Compare the illustrations with your lawn mower to familiarize yourself with the location of various controls and adjustments. Save this manual for future reference.

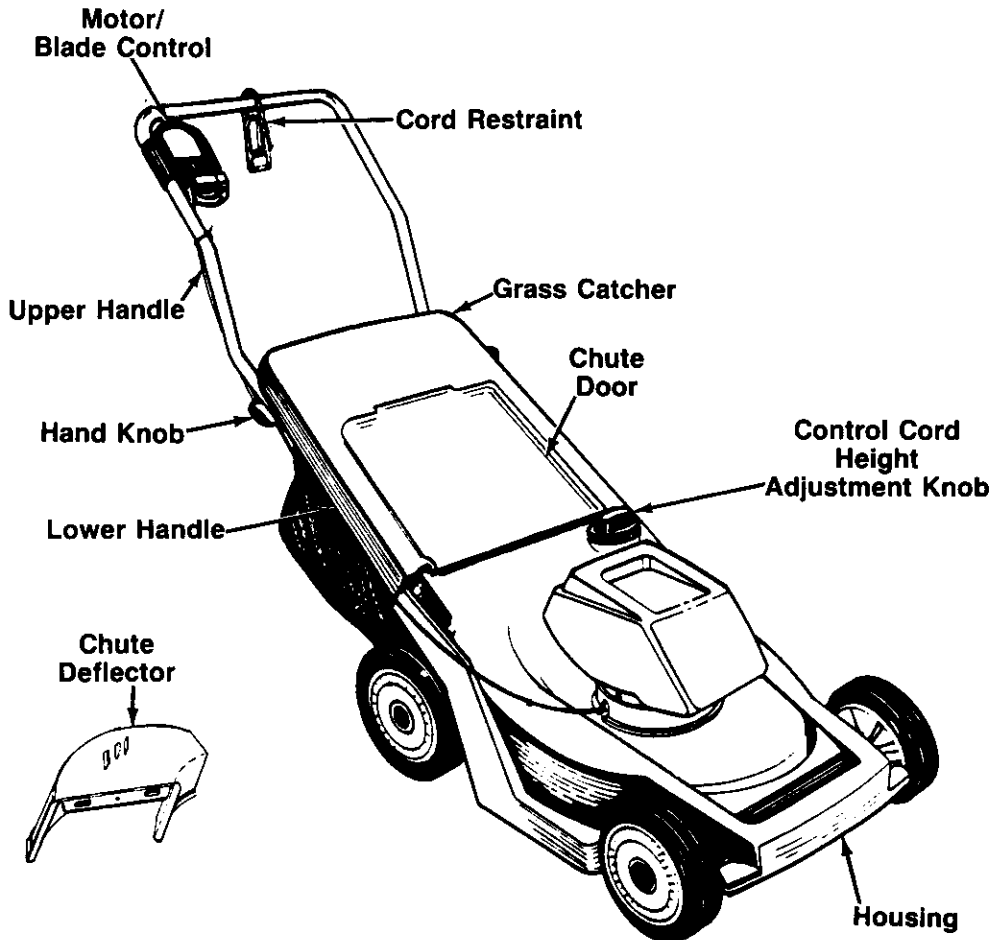


FIGURE 4.

---

## MEETS CPSC SAFETY REQUIREMENTS

Sears Lawn Walk-Behind Mowers conform to the safety standards of the American National Standards Institute, Underwriters Laboratories, Inc., and the U.S. Consumer Product Safety Commission. The blade turns when the engine is running.

**MOTOR/BLADE CONTROL LEVER**—must be held against the handle to start and run the motor and blade. Release to stop the motor and blade.

**CORD RESTRAINT**—helps prevent disconnection of extension cord from motor/blade control.

BEFORE USING YOUR LAWN MOWER, AGAIN REFER TO THE "SAFETY RULES" AS SHOWN ON PAGE 2 OF THIS MANUAL. ALWAYS BE CAREFUL.



The operation of any lawn mower can result in foreign objects being thrown into the eyes, which can result in severe eye damage. Always wear safety glasses or eye shields before starting power tool operation or while performing any adjustments or repairs. We recommend Wide Vision Safety Mask for over spectacles or standard glasses available at Sears Retail or Catalog Stores.

## HOW TO USE YOUR MOWER

### MOTOR/BLADE CONTROL



**WARNING: THE MOTOR/BLADE CONTROL ON THIS MOWER IS INSTALLED TO MINIMIZE THE RISK OF BLADE CONTACT INJURY AND IS REQUIRED BY FEDERAL REGULATIONS. DO NOT UNDER ANY CIRCUMSTANCES ATTEMPT TO DEFEAT THE FUNCTION OF THE MOTOR/BLADE CONTROL.**

The motor/blade control requires the operator to be behind the handle to start and run the mower. When the operator releases the control lever, the motor will stop and an internal brake helps the blade to stop quickly.

When the operator leaves the operating position to remove the grass catcher, change the cutting height, pick up sticks or other objects in the way, the motor will stop automatically when the motor/blade control lever is released.

### CUTTING HEIGHT ADJUSTMENT



**WARNING: TURN OFF MOTOR AND DISCONNECT POWER CORD BEFORE ADJUSTING THE CUTTING HEIGHT.**

The height adjustment knob is located on the left side of the deck. Turn the knob clockwise to lower cutting height; turn it counterclockwise to raise the cutting height. See figure 5.

The cutting height range is approximately 1" to 3-1/2". The heights are measured from the ground to the blade tip with the motor not running. These heights are approximate and may vary depending upon soil conditions, height of grass and types of grass being mowed.

The average lawn should be cut approximately 1-1/2" to 2" during the cool season and over 2" during hot months. For healthier and better looking lawns, mow often and after moderate growth.

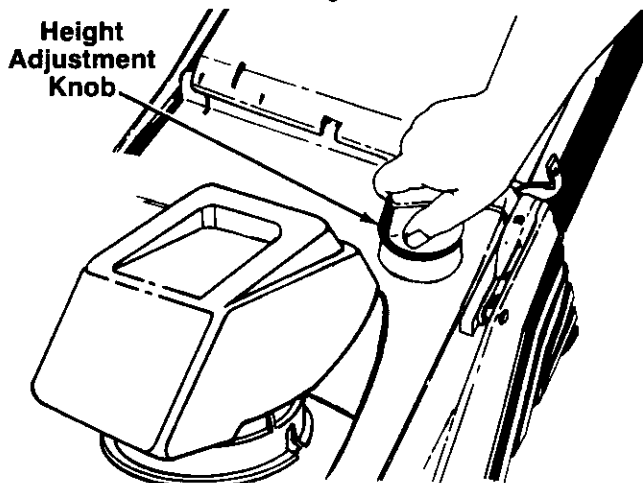


FIGURE 5.

## CORD CONNECTION



**WARNING: USE ONLY UL APPROVED OUTDOOR EXTENSION CORD (MINIMUM 16 GAUGE RECOMMENDED).**

### CORD RESTRAINT

Attach extension cord (not provided with unit) to the cord restraint as follows. Form a small loop in the extension cord. Allow enough excess cord to make the connection to the motor/blade control (approximately 20 inches). Slip the loop through the slot on the bottom of the cord restraint, and up over the tab, to prevent disconnection from the motor/blade control during operation. Keep the cord restraint as close to the motor/blade control as possible. See figure 6.

### CONNECTION TO THE MOTOR/BLADE CONTROL



**WARNING: MAKE CERTAIN MOTOR/BLADE CONTROL LEVER IS IN OFF (RELEASED) POSITION.**

To attach extension cord to the mower, swing open the spring-loaded plug retainer located beneath the motor/blade control. Connect the plug on the extension cord fully onto the plug on the mower. The mower is equipped with a polarized AC power plug (one blade of the plug is wider than the other), which will fit into the plug on the extension cord only one way. See figure 6, inset. If unable to make a full connection, try reversing the plug on the extension cord. Should the plugs still fail to fit, contact your service dealer for assistance. Do not defeat the safety purpose of the polarized plug.

### CONNECTION TO THE ELECTRIC POWER SOURCE

Plug the extension cord into any convenient 110-120 volt 60 cycle A.C. outlet or receptacle for your source of power. This outlet may be located either out-of-doors or indoors. If an inside receptacle is used, the extension cord can be taken out either through the doorway or a window. To avoid blowing fuses, pick an outlet that is not overloaded. Your mower will operate satisfactorily on a circuit that is fused for 15 amperes. Do not use oversized fuses without consulting your power company.

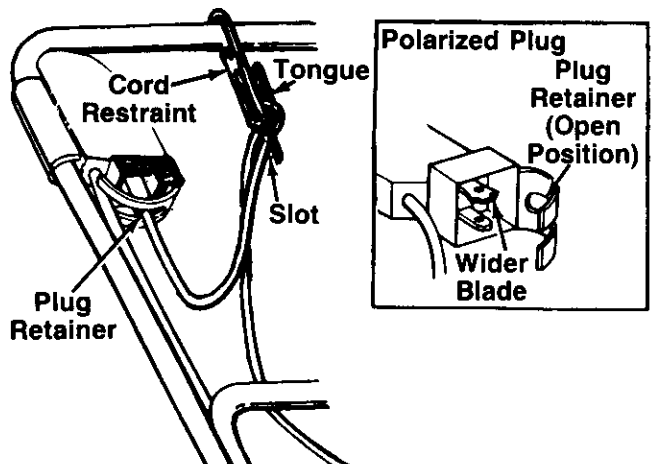


FIGURE 6.



## TO START MOTOR AND ENGAGE BLADE

Standing behind the unit, lift the motor/blade control handle with the left forefinger, then pull handle up and hold it against the upper handle with right hand. See figure 7.

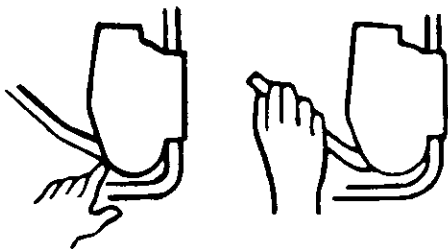


FIGURE 7.

## TO STOP MOTOR AND BLADE

1. Release the motor/blade control handle to stop the engine and blade. (A high pitched noise will result, which is the result of deceleration of the electric motor. Sparking at the top of motor, inside the motor cover, is also normal during deceleration.)



**WARNING: THE BLADE CONTINUES TO ROTATE FOR A FEW SECONDS AFTER THE MOTOR IS SHUT OFF. IF MOTOR DOES NOT COME TO AN IMMEDIATE STOP WHEN THE MOTOR/BLADE CONTROL HANDLE IS RELEASED, CONTACT AN AUTHORIZED SERVICE LOCATION.**

2. Disconnect the power source to prevent accidental starting while equipment is unattended.

## MOWING TIPS



**WARNING: DO NOT OPERATE THIS MOWER WITH THE CHUTE DOOR OPEN, UNLESS THE COMPLETE GRASS CATCHER IS PROPERLY MOUNTED ON THE MOWER.**

Be sure that lawn is clear of stones, sticks, wires, or other objects which could damage lawn mower or engine. Such objects could be accidentally thrown by the mower in any direction and cause serious personal injury to the operator and others.

To prevent electric shock, do not operate the mower in damp or wet locations.

The length of the extension cord you will need depends on the size of the area to be mowed. See extension cord information on page 2.

Never mow around the lawn in circles. Always travel back and forth across the lawn, beginning at the point nearest the electric outlet where cord is connected. See figure 8. Cut grass moving away from the outlet so the cord lies in the cut portion of the lawn, out of the way. Do not allow extension cord to wrap around trees, shrubs or other obstacles.

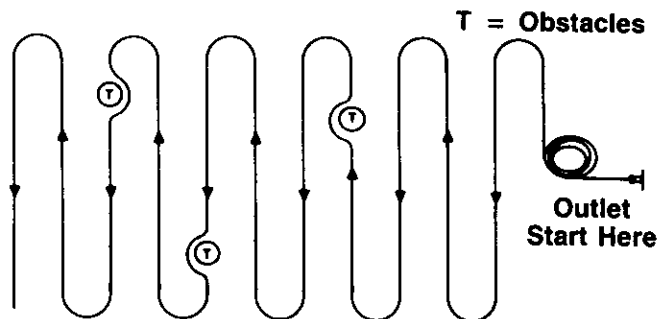


FIGURE 8.

When picking up the extension cord, wind the cord in a series of equal loops on each side of your hand to prevent snarling. See illustration at right.



To cut heavy grass, reduce walking speed to allow more effective cut and distribution of the clippings. For best results, cut off one-third or less of the total length of the grass. For a healthier and better looking lawn, cut more often and after moderate growth. The lawn should be cut in the fall as long as there is growth.



**WARNING: IF YOU STRIKE A FOREIGN OBJECT, STOP THE MOTOR. DISCONNECT THE POWER SOURCE, THOROUGHLY INSPECT THE MOWER FOR ANY DAMAGE, AND REPAIR THE DAMAGE BEFORE RESTARTING AND OPERATING THE MOWER. EXTENSIVE VIBRATION OF THE MOWER DURING OPERATION IS AN INDICATION OF DAMAGE. THE UNIT SHOULD BE PROMPTLY INSPECTED AND REPAIRED.**

# MAINTENANCE

## GENERAL RECOMMENDATIONS

Follow the Service Recommendation Schedule on page 11.

## MOWER BLADE CARE

Your mower will work better with a sharp blade.



**WARNING: DISCONNECT POWER SUPPLY BEFORE PERFORMING ANY MAINTENANCE OR ADJUSTMENTS.**

### TO REMOVE BLADE (See figure 9):

- Turn mower on its side.
- Use a block of wood between blade and mower deck to prevent blade from turning when nut is removed. Protect your hands with gloves and/or wrap blade with heavy cloth.
- Remove hex nut, and open blade insulator.
- Remove cotter pin, blade nut, flat washer, blade insulator and carriage bolts.

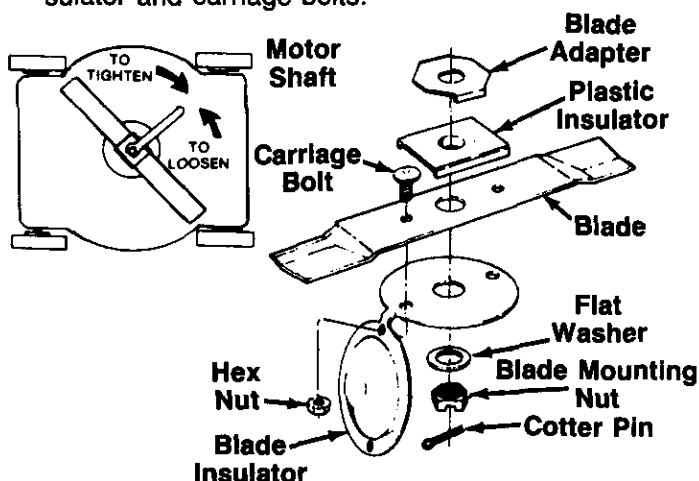


FIGURE 9.

### TO REPLACE BLADE (See figure 9):

Use only a Sears authorized replacement blade to get the best cutting results. Do not use substitutes.

**NOTE:** All parts must be assembled in the exact order as shown.

- Fit blade in adapter. Be sure trailing edge of blade is up towards motor.

- Tighten blade nut securely (30-35 ft. lbs. torque).
- Re-insert cotter pin and bend ends to secure.

**NOTE:** If after tightening nut, the slot in nut is not aligned with hole in shaft, tighten nut just enough to allow cotter pin insertion.



**WARNING: A LOOSE BLADE CAN BE DANGEROUS.**

### TO SHARPEN BLADE

**NOTE:** We do not recommend sharpening the blade—but if you do, be sure blade is balanced.

- The blade can be sharpened with a file or on a grinding wheel. Do not attempt to sharpen while on the mower.
- Care should be taken to keep the blade balanced. An unbalanced blade will cause excessive vibration when running and eventual damage to mower and motor.
- To check blade balance, drive a nail into a beam or wall. Leave about one inch of straight nail exposed. Place center hole of blade over the head of the nail. If blade is balanced, it should remain in a horizontal position. If either end of the blade moves downward, blade is not balanced. Sharpen the heavy end until the blade is balanced.

## CLEANING



**WARNING: DISCONNECT POWER SUPPLY BEFORE CLEANING YOUR MOWER.**

- Remove any build-up of grass and leaves on or around motor cover. **DO NOT USE WATER.**
- Clean the underside of your mower after each use by turning the mower on its side and scraping to remove any build-up of grass, leaves, dirt or other matter. **DO NOT USE WATER.**
- Occasionally use a dry cloth to wipe mower.
- Wash grass bag periodically with water. Allow to dry thoroughly in the shade. Do not use heat.

**IMPORTANT:** Under normal usage, the grass bag is subject to wear and should be checked periodically. Be certain any replacement bag complies with the mower manufacturer's specifications.

# SERVICE AND ADJUSTMENTS

## REAR TRAIL SHIELD

The rear trail shield, attached between the rear wheels of your mower, is provided to minimize the possibility that objects will be thrown out the rear of the mower toward the operator. If the shield becomes damaged, it should be replaced.

## TO ADJUST CUTTING HEIGHT

Refer to "ADJUST CUTTING HEIGHT" in Operation section of manual.

## STORAGE

Your mower should be prepared for off-season storage as follows:

### MOWER

- Clean underside of mower housing (See "CLEANING" in Maintenance section of manual).
- Inspect and replace/sharpen blade, if required (See "BLADE CARE" in Maintenance section of manual).
- Lubricate as shown in Service Recommendation chart below.
- Make sure motor/blade control is in OFF (released) position for storage.

### HANDLE

The handle may be folded away completely for storage.

- Remove the grass bag.
- Loosen the hand knobs on the sides of the handle, and let the upper handle fold down to the rear.
- Pull outward on the handle locks on each side of the lower handle, and lift the sides of the lower handle past the locks as shown in figure 10. Fold the lower handle forward.

**CAUTION:** When folding the handle for storage or transportation, be careful not to bend or kink the power cord.

To return the mower to the operating position, pull up and back on the handle until it locks in position. Tighten

the hand knobs which secure the upper and lower handles.

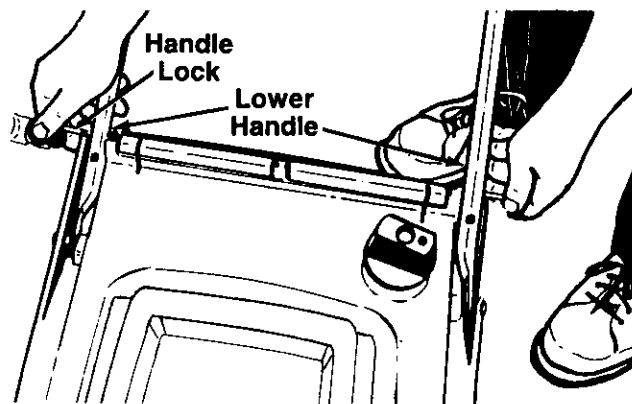


FIGURE 10.

### EXTENSION CORD

- Replace extension cord if cut or abraded.
- Extension cord should be wiped dry of any foreign substances such as oil or stains.
- Wind cord and store in cool, dry place (See cord winding instruction on page 9).

### OTHER

Do not store your mower under any plastic cover. Plastic cannot breathe which allows condensation to form and cause the metal components of your mower to rust.

## SERVICE RECOMMENDATIONS

SERVICE RECORD Fill in dates as you complete regular service	SCHEDULE		SERVICE DATES					
	Every Use	Every 25 Hours						
Blade Replaced		✓						
Lubricate Mower		✓						
Cleaning	✓							
Grass Catcher	✓							

### LUBRICATION

#### MOTOR

The motor on your mower does not require lubrication.

#### WHEELS

DO NOT oil or grease the wheel bearings. Viscous lubricants will attract dust and dirt that will shorten the life of the self-lubricating wheel bearings. If you feel the wheels must be lubricated, use only a dry, silicone type lubricant sparingly.

# TROUBLE SHOOTING GUIDE

Trouble	Possible Cause(s)	Corrective Action
Does not start	<ol style="list-style-type: none"> <li>1. Motor/blade control disengaged.</li> <li>2. Extension cord disconnected.</li>   <li>3. Blown fuse or a tripped circuit breaker.</li>   <li>4. Motor/blade control switch defective.</li> </ol>	<ol style="list-style-type: none"> <li>1. Engage motor/blade control.</li> <li>2. Be sure that the extension cord is plugged into the outlet and the lawn mower switch plug.</li> <li>3. Check to see if a fuse has been blown or a circuit breaker tripped in your electrical box.</li> <li>4. Replace motor/blade control switch.</li> </ol>
Frequent blowing of fuses	<ol style="list-style-type: none"> <li>1. Cutting too much grass.</li> <li>2. Circuit overloaded.</li> </ol>	<ol style="list-style-type: none"> <li>1. Set in "Higher Cut" position.</li> <li>2. Do not use a higher rated fuse without consulting your power company. If condition persists (be sure circuit is not overloaded), have your unit checked by your nearest Authorized Sears Service Dealer.</li> </ol>
Loss of power	<ol style="list-style-type: none"> <li>1. Cutting too much grass.</li> <li>2. Build-up of grass, leaves and debris under mower.</li> </ol>	<ol style="list-style-type: none"> <li>1. Set in "Higher Cut" position.</li> <li>2. Disconnect power cord and clean underside of mower housing.</li> </ol>
Poor or uneven cut	<ol style="list-style-type: none"> <li>1. Worn, bent or loose blade.</li> <li>2. Build-up of grass, leaves and debris under mower.</li> </ol>	<ol style="list-style-type: none"> <li>1. Replace blade. Tighten blade nut.</li> <li>2. Disconnect power cord and clean underside of mower housing.</li> </ol>
Too much vibration	<ol style="list-style-type: none"> <li>1. Worn, bent or loose blade.</li> <li>2. Bent motor shaft.</li> </ol>	<ol style="list-style-type: none"> <li>1. Replace blade. Tighten blade nut.</li> <li>2. Contact Sears Service Department.</li> </ol>
Hard to push	<ol style="list-style-type: none"> <li>1. High grass or cutting height too low.</li> <li>2. Rear of mower housing and blade dragging in heavy grass.</li> </ol>	<ol style="list-style-type: none"> <li>1. Raise cutting height</li> <li>2. Raise cutting height.</li> </ol>

**Note:** For repairs beyond the minor adjustments listed above, contact your nearest SEARS Service Center.

The use of any accessory on this Rotary Mower other than those manufactured by the mower manufacturer is not recommended.

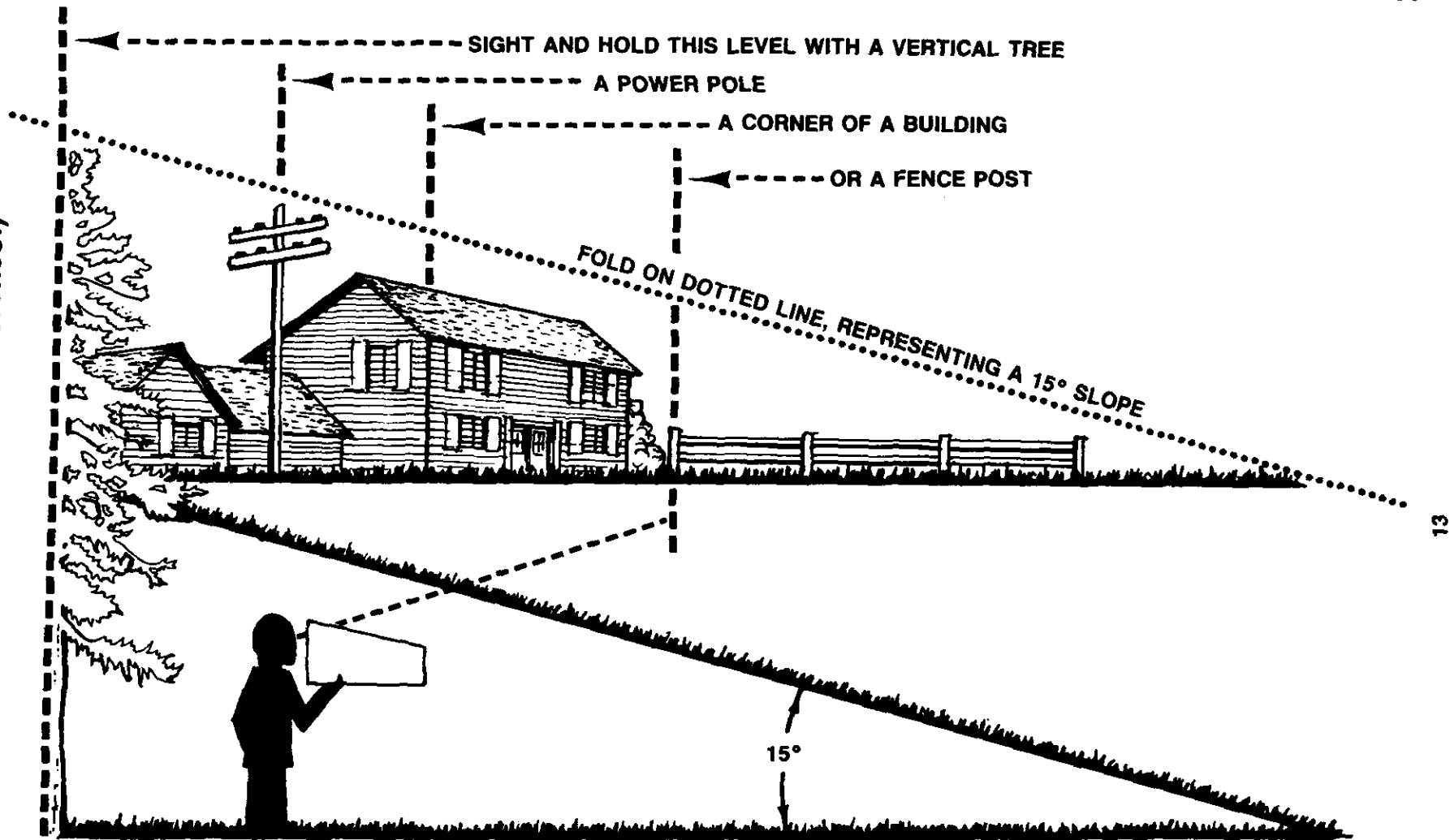


**WARNING: DO NOT** operate the mower without the entire grass catcher or chute deflector in place.  
**DO NOT** operate the mower without the protective shield on the rear of the deck in place.

USE THIS SHEET AS A GUIDE TO DETERMINE SLOPES WHERE YOU MAY NOT OPERATE SAFELY.

# SLOPE GAUGE

(Keep this sheet for future reference.)



**WARNING**

Do not mow on inclines with a slope in excess of 15 degrees (a rise of approximately 2½ feet every 10 feet). If operating a walk-behind mower on such a slope, it is extremely difficult to maintain your footing and you could slip, resulting in serious injury.

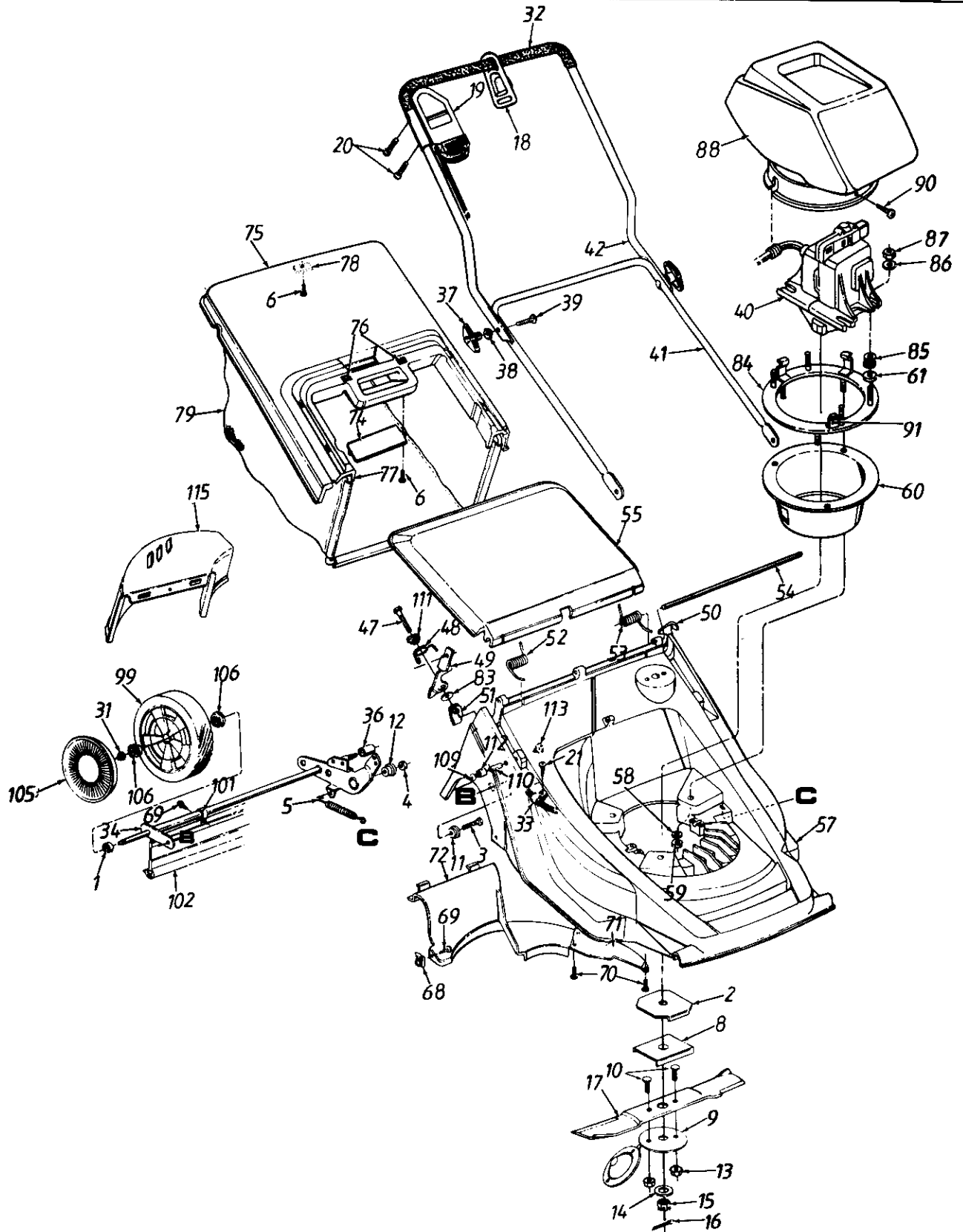
Operate WALK-BEHIND mowers across the face of slopes, never up and down slopes.

# SEARS CRAFTSMAN 18" ELECTRIC ROTARY MOWER MODEL NO. 247.370320

## Repair Parts



**WARNING:** Insulators are safety components. It is important that all parts be reassembled in positions shown.



**SEARS CRAFTSMAN 18" ELECTRIC ROTARY MOWER MODEL NO. 247.370320**

**Repair Parts**

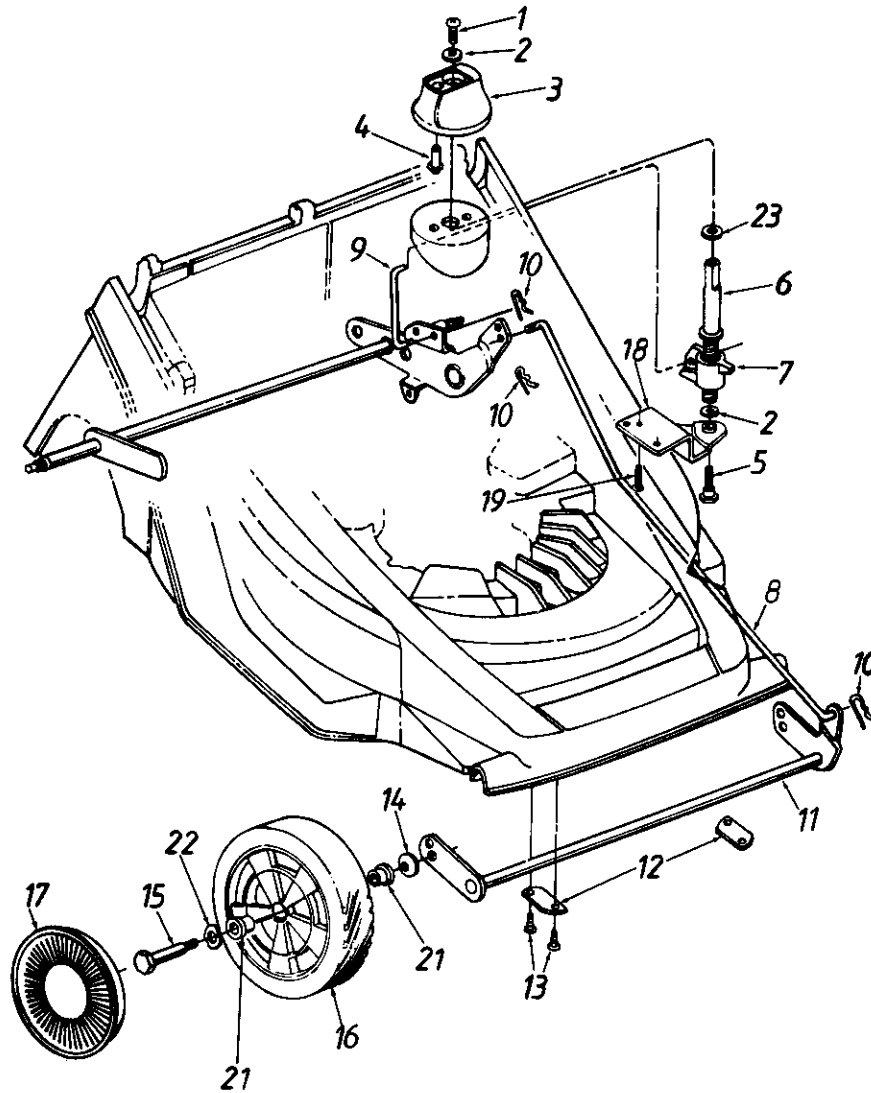
KEY NO.	PART NO.	DESCRIPTION	KEY NO.	PART NO.	DESCRIPTION
1	750-0289	Spacer .508" I.D. x .875" O.D.	55	731-1106	Chute Door
2	748-0343	Blade Adapter	57	731-1101	Deck Ass'y.
3	710-1006	Hex Wash. Hd. TT-Tap Scr. 3/8-16 x .75" Lg.	58	736-0461	FI-Wash. 5/16" I.D. x .75" O.D.
4	712-0296	Hex L-Nut 3/8-24 Thd.	59	712-0429	Hex L-Nut 5/16-18 Thd.
5	732-0478	Extension Spring 6.12" Lg.	60	731-1257	Motor Shield
6	710-1220	Truss Mach. Hi-Riser Tap Scr. #12 x .75" Lg.	61	731-1255	Insulator Spacer
8	731-1218	Blade Adapter Insulator	68	712-0400	U-Nut #10-16 Thd.
9	731-1217	Blade Insulator	69	710-0351	Truss Mach. B-Tap Scr. #10 x .5" Lg.
10	710-0451	Carriage Bolt 5/16-18 x .75" Lg.	70	710-0969	Truss Mach. Hi-Riser Tap Scr. #12 x 1" Lg.
11	750-0812	Pivot Spacer—R.H.	71	17740	Spiral Baffle
12	750-0813	Pivot Spacer—L.H.	72	731-1109	Chute Baffle
13	712-0437	Hex Keps Nut 5/16-18 Thd.	74	731-1113	Hardtop Cover Plate
14	736-0462	FI-Wash. .516" I.D. x 1.5" Lg.	75	731-1108	Hardtop Cover
15	712-0401	Slotted Hex Nut 1/2-20 Thd.	76	720-0272	Magnetic Catch
16	714-0228	Cotter Pin 1" Lg.	77	747-0538	Catcher Frame
17	742-0576	18" Blade	78	17801	Bag Frame Mtg. Plate
18	725-1590	Cord Restraint	79	764-0273	Grass Bag
19	625-0004	Cord and Switch Ass'y. (Complete)	83	736-0242	Bell-Wash. 5/16" I.D. x .88"
20	710-1150	Self-Tap Scr. #7 x 1" Lg.	84	818-60006	Plate Ass'y.
21	710-1128	Pan Hd. Scr. #10-16 x .75" Lg.	85	731-1216	Insulator—Motor Housing
31	712-0346	Hex L-Nut 1/2-20 Thd.	86	736-3090	FI-Wash. .26" I.D. x .72" O.D.
32	720-0226	Foam Grip	87	712-0324	Hex Top L-Nut 1/4-20 Thd.
33	726-0308	Clamp	88	731-1256	Motor Cover
34	17803	Rear Axle Ass'y.	89	726-0306	Cable Tie
36	750-0151	Spacer .55" I.D. x .755" O.D.	90	710-0280	Truss Mach. Scr. #10-24 x .75" Lg.
37	720-0241	Knob Ass'y.	91	712-0410	Clip
38	736-0451	Saddle Washer .32" I.D.	99	734-1513B	Wheel Ass'y. Comp.
39	710-1152	Curved Carr. Bolt 5/16-18 x 2" Lg.	101	726-0287	Clamp
40	818-60011	Motor & Switch Ass'y.	102	731-0898	Rear Flap
41	749-0832	Lower Handle	105	731-0981A	Hub Cap
42	749-0849	Upper Handle	106	741-0180	Ball Brg. 1/2" I.D.
47	710-0874	Hex Bolt 5/16-18 x 1.25" Lg.	109	710-1131	Truss Hd. Scr. 1/4-20 x 2" Lg.
48	732-0646	Handle Latch Spring—R.H.	110	750-0816	Spacer .26" I.D. x 1.20" Lg.—R.H.
	732-0647	Handle Latch Spring—L.H.		750-0817	Spacer .26" I.D. x 1.52" Lg.—L.H. (Not Shown)
49	17748	Handle Lock—R.H.			Latch Plate Bushing
50	17749	Handle Lock—L.H.	111	738-0839	Spacer .383" I.D. x .562" Lg.
51	726-0211	U-Nut 5/16-18 Thd.	112	750-0503	Propel Nut 1/4-20 Thd.
52	732-0654	Torsion Spring—R.H.	113	712-0399	Rear Discharge Chute Deflector
53	732-0653	Torsion Spring—L.H.	115	731-1112	
54	747-0773	Hinge Pin 14.5" Lg.			

\*Common Hardware—May Be Purchased Locally.

**NOTE:** Specifications subject to change without notice or obligation.

# SEARS CRAFTSMAN 18" ELECTRIC ROTARY MOWER MODEL NO. 247.370320

## Repair Parts



KEY NO.	PART NO.	DESCRIPTION	KEY NO.	PART NO.	DESCRIPTION
1	710-0255	Truss Mach. Scr. 1/4-20 x .75" Lg.	13	710-0969	Truss Mach. Hi-Riser Tap Scr. #12 x 1" Lg.
2	736-0329	L-Wash. 1/4" I.D.*	14	736-0105	Bell-Wash. .38" I.D. x .88"
3	720-0236	Plastic Knob	15	738-0102	Shld. Bolt .498" Dia. x 1.45"
4	732-0675	Ball Plunger	16	734-1670	Front Wheel Ass'y. Comp.
5	738-0137	Shld. Bolt .342" Dia. x .268" Lg.	17	731-0981A	Hub Cap
6	738-0811	Height Adjuster Spindle	18	17802	Height Adj. Spindle Brkt.
7	731-1128	Spindle Guide	19	710-0969	Truss Mach. Hi-Riser Tap Scr. #12 x 1" Lg.
8	747-0589	Height Adjustment Rod	21	741-0180	Ball Bearing
9	747-0802	Height Adjustment Link	22	736-0232	Wave Wash. .53" I.D.
10	714-0104	Int. Cotter Pin 5/16" Dia.	23	736-0326	FI-Wash. .51" I.D. x 1" O.D.
11	17521	Front Axle Ass'y.			
12	17800	Axle Mounting Plate			

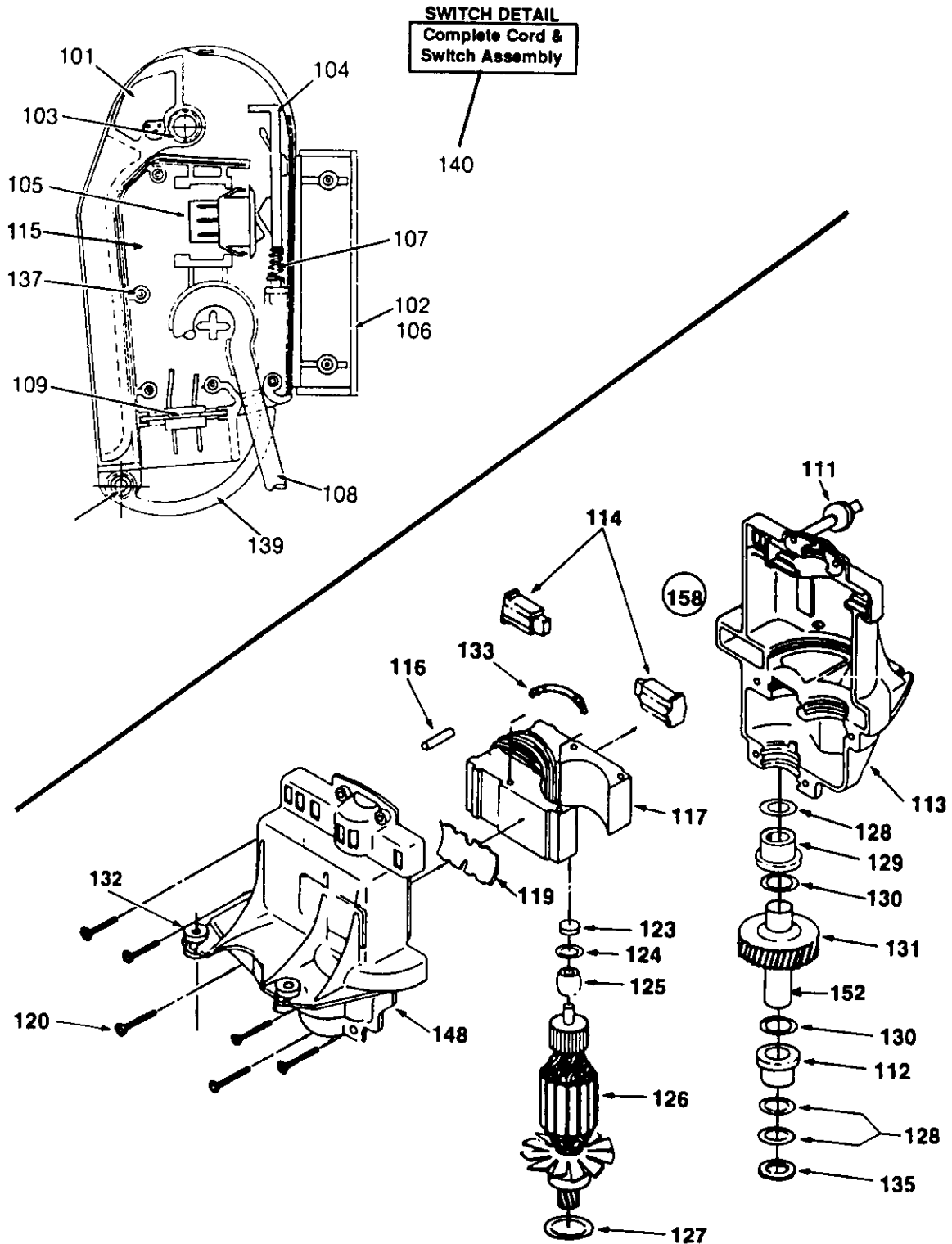


# SEARS CRAFTSMAN 18" ELECTRIC ROTARY MOWER MODEL NO. 247.370320

## Repair Parts



**WARNING:** Insulators are safety components. It is important that all parts be reassembled in positions shown. Service replacement motors are supplied with insulators attached.



# SEARS CRAFTSMAN 18" ELECTRIC ROTARY MOWER MODEL NO. 247.370320

## Repair Parts

KEY NO.	PART NO.	DESCRIPTION	KEY NO.	PART NO.	DESCRIPTION
101	731-1210	Handle—Switch	125	741-0572	Bearing—Spherical
102	731-1208	Housing—Upper Half	126	724-0189	Armature Shaft
103	732-0679	Spring	127	721-0264	"O"-Ring
104	731-1198	Latch	128	721-0267	"O"-Ring
105	725-1565	Switch	129	741-0573	Bearing—Upper Flange
106	731-1209	Housing—Lower Half	130	736-0460	Thrust Washer (Special)
107	732-0681	Latch Spring	131	717-1345	Gear Output
108	629-0023	Cord Assembly	132	731-1216	Insulator—Motor Housing
109	729-0304	2-Prong Plug	133	726-0302	Wire Tie
111	731-1207	Strain Relief—Heyco	135	721-0272	Seal
112	741-0537	Bearing—Lower Flange	137	710-1147	Screw—Switch Box (Special—Not Shown)
113	719-0286	Motor Housing—L.H.			Plug Retainer
114	818-60004	Brush Assembly	139	731-1211	Cord & Switch Box Ass'y. (Complete)
115	818-60002	Jumper Wire Ass'y.	140	629-0004	Motor Housing—R.H.
116	735-0242	Pad—Pressure			Shaft Output
117	818-60007	Field Assembly	148	719-0287	Motor & Switch Assembly (Complete)
119	724-0159	Spring—Field	152	711-0902	
120	710-1146	Screw #10-24 x 1-1/8" Special	158	818-60011	
123	721-0265	Wick—Oil			
124	721-0266	"O"-Ring			

\*Not Part of Complete Motor & Switch Assembly.



**WARNING:** The motor is an important part of the double insulated system. To avoid the possibility of alteration or damage to the system, it is recommended that service be performed at a Sears Service Center.

**SEARS**

**OWNER'S  
MANUAL**

**MODEL NO.  
247.370320**

**HOW TO ORDER  
REPAIR PARTS**

**CRAFTSMAN®**

**110V 12AMP ELECTRIC  
DOUBLE INSULATED  
18" REAR DISCHARGE  
ROTARY LAWN MOWER**

Each lawn mower has its own model number.

The model number for your lawn mower will be found on a label attached to the rear of the deck.

All parts listed herein may be ordered through Sears, Roebuck and Co. Service Centers and most Retail Stores.

**WHEN ORDERING REPAIR PARTS, ALWAYS GIVE  
THE FOLLOWING INFORMATION:**

- \* **PRODUCT - "Electric Rotary Mower"**
- \* **MODEL NUMBER - 247.370320**
- \* **PART NUMBER**
- \* **PART DESCRIPTION**

Your Sears merchandise has added value when you consider that Sears has service units nationwide staffed with Sears trained technicians . . . professional technicians specifically trained on Sears products, having the parts, tools and the equipment to insure that we meet our pledge to you . . . we service what we sell."

**SEARS, ROEBUCK AND CO., Chicago, IL 60684 U.S.A.**

## Free Manuals Download Website

<http://myh66.com>

<http://usermanuals.us>

<http://www.somanuals.com>

<http://www.4manuals.cc>

<http://www.manual-lib.com>

<http://www.404manual.com>

<http://www.luxmanual.com>

<http://aubethermostatmanual.com>

Golf course search by state

<http://golfingnear.com>

Email search by domain

<http://emailbydomain.com>

Auto manuals search

<http://auto.somanuals.com>

TV manuals search

<http://tv.somanuals.com>