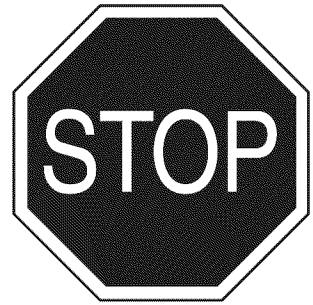


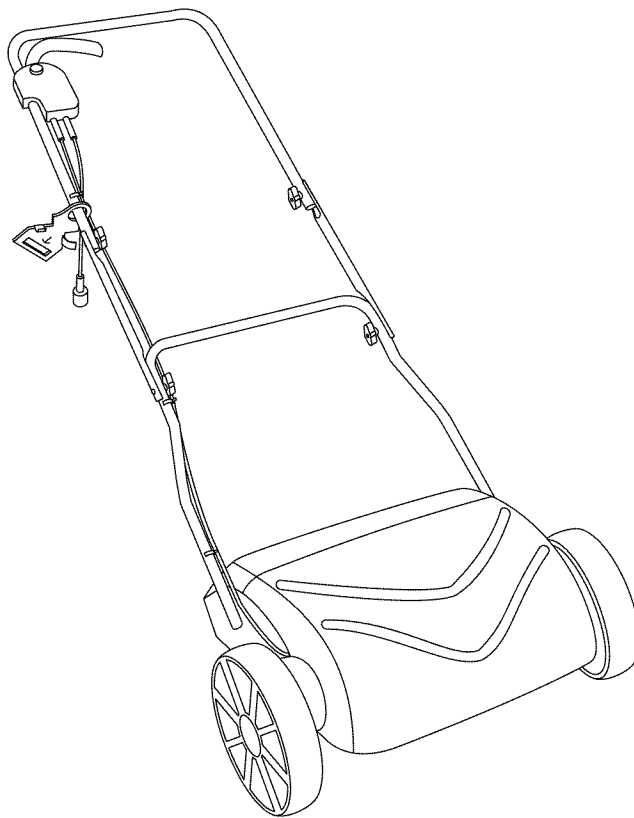
Operator's Manual



18" ELECTRIC DETHATCHER

Model No. 486.29281

DO NOT RETURN TO STORE
For Missing Parts or Assembly
Questions Call 1-866-576-8388



CAUTION:

Before using this product, read this manual and follow all Safety Rules and Operating Instructions.

- Safety
- Assembly
- Operation
- Maintenance
- Parts

Sears, Roebuck and Co., Hoffman Estates, IL 60179 U.S.A.
www.sears.com/craftsman

FORM NO. 42157 (10/29/08)

TABLE OF CONTENTS

SAFETY RULES.....2	STORAGE 6
FULL SIZE HARDWARE CHART3	SERVICE AND ADJUSTMENTS..... 7
CARTON CONTENTS.....3	TROUBLESHOOTING..... 7
ASSEMBLY.....4	REPAIR PARTS ILLUSTRATION..... 8,10
OPERATION.....6	REPAIR PARTS LIST..... 9,11
MAINTENANCE6	PARTS ORDERING/SERVICEBack Page

WARRANTY

CRAFTSMAN ONE YEAR FULL WARRANTY

In the unlikely event that this product has an initial issue of missing parts, or you need assembly or operation assistance please call 1-866-576-8388 for immediate response. Do not return to store.

When assembled, operated and maintained according to the supplied instructions, if this products fails due to defect in material or workmanship within one year from the date of purchase, return it to any Sears store or other Craftsman outlet in the United States for a free replacement.

This warranty excludes tines, which are expendable parts that can wear out from normal use in less than 1 year
 This warranty is void if this electric dethatcher / power rake is used for commercial or rental purposes.
 This warranty gives you specific legal rights, and you may also have other rights which vary from state to state.

Sears, Roebuck and Co., Hoffman Estates, IL 60179

The model number and serial numbers will be found on a decal attached to the Power Rake. You should record both the serial number and the date of purchase and keep in a safe place for future reference.	<table style="width: 100%; border: none;"> <tr> <td style="border: none;">MODEL NUMBER:</td> <td style="border: none;">486.29281</td> </tr> <tr> <td style="border: none;">SERIAL NUMBER:</td> <td style="border: none;">_____</td> </tr> <tr> <td style="border: none;">DATE OF PURCHASE:</td> <td style="border: none;">_____</td> </tr> </table>	MODEL NUMBER:	486.29281	SERIAL NUMBER:	_____	DATE OF PURCHASE:	_____
MODEL NUMBER:	486.29281						
SERIAL NUMBER:	_____						
DATE OF PURCHASE:	_____						



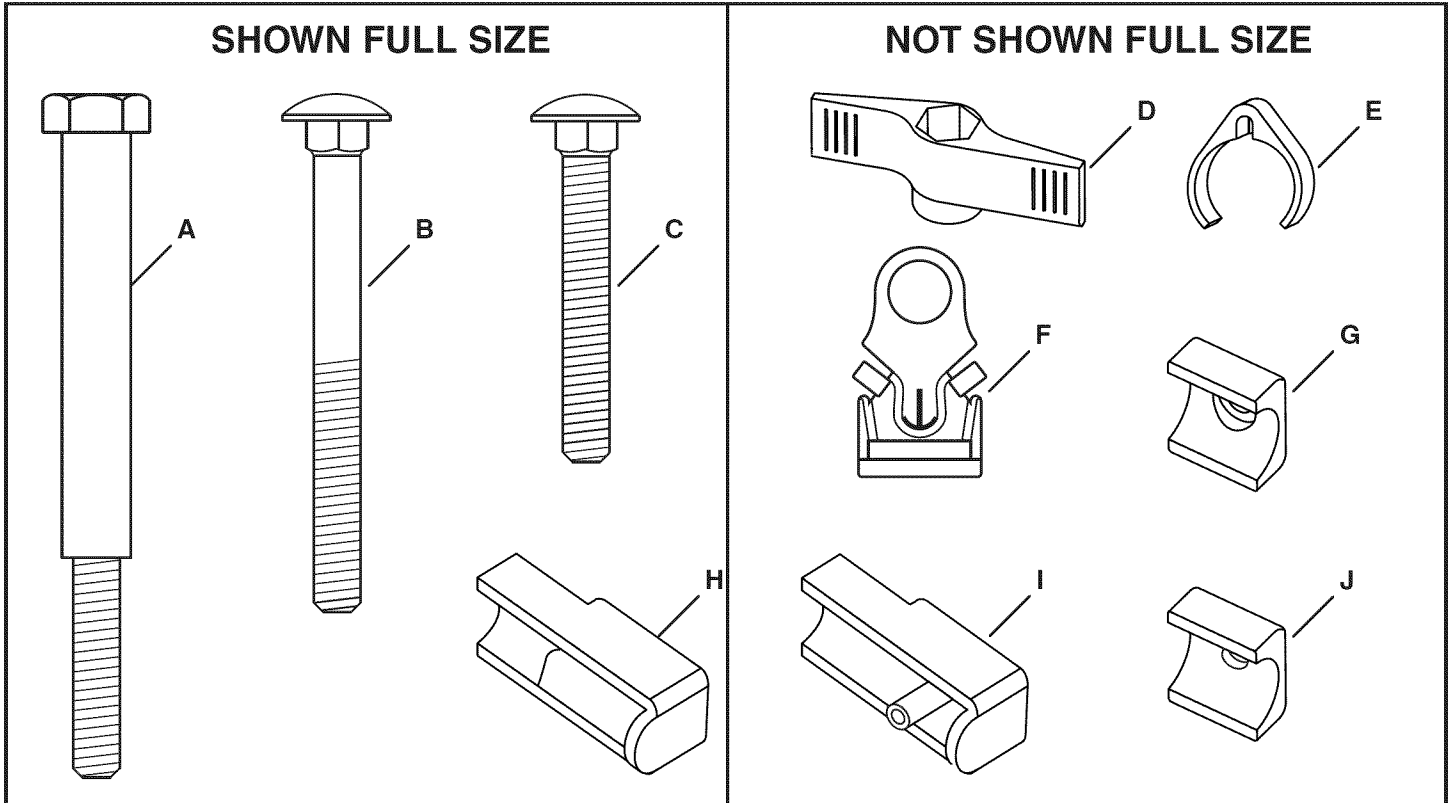
SAFETY



Any power equipment can cause injury if operated improperly or if the user does not understand how to operate the equipment. Exercise caution at all times when using power equipment.

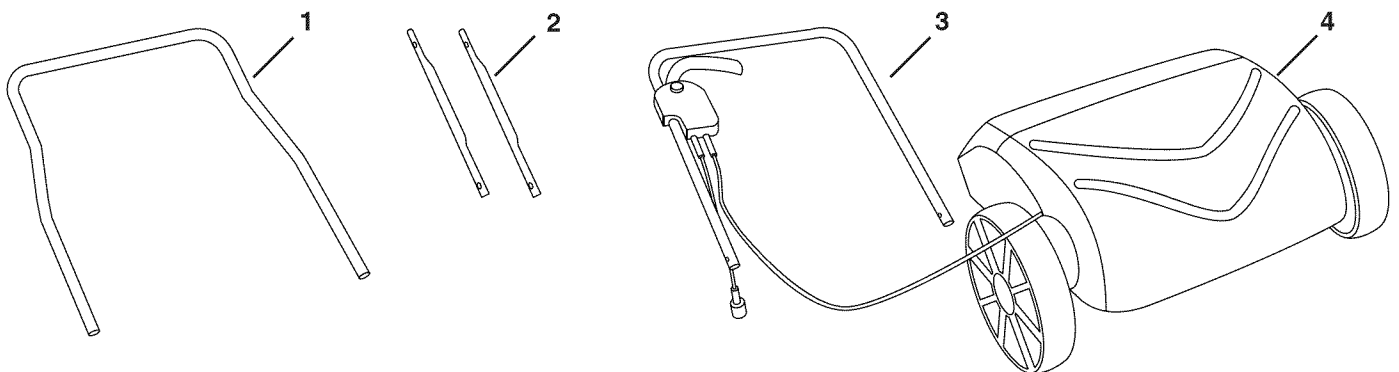
- Read this owners manual carefully and know how to operate your Power Rake. Be familiar with the controls and the proper use of the Power Rake.
- Never allow children to use the Power Rake. Do not allow adults to operate without proper instructions.
- Never use the Power Rake while people, especially children, or pets are nearby.
- Wear substantial footwear, long pants and eye protection while using the Power Rake.
- Thoroughly inspect the area where the Power Rake is to be used and remove all stones, sticks and other foreign objects.
- Only use the Power Rake in daylight or good artificial light.
- Do not use the Power Rake on wet grass.
- Be careful when operating the Power Rake on slopes or uneven ground.
- Do not operate on excessively steep slopes.
- Always stop the Power Rake when transporting or crossing any surface other than grass.
- Never operate the Power Rake without the deflectors/grass catchers in place.
- Never operate the Power Rake with defective deflectors/grass catchers.
- Switch on the motor according to instructions and with hands, feet and any other parts of the body away from the tines.
- Do not tilt the Power Rake when turning on unless absolutely necessary for it to start. If it is necessary to tilt the Power Rake when starting, always lift only the part which is away from the operator. Make sure both hands are in the operating position before returning the appliance to the ground.
- Keep hands and feet away from rotating parts at all times.
- Use only outdoor rated extension cords plugged into a ground fault receptacle.

HARDWARE PACKAGE



REF	QTY	DESCRIPTION	REF	QTY	DESCRIPTION
A	1	Hex Bolt	F	1	Power Cord Clip
B	1	Carriage Bolt	G	1	Left Handle Clamp (marked "L")
C	4	Carriage Bolt	H	1	Right Handle Bracket
D	6	Wing Knob	I	1	Left Handle Bracket
E	3	Power Cord Clip	J	1	Right Handle Clamp (marked "R")

CARTON CONTENTS



REF	QTY	DESCRIPTION	REF	QTY	DESCRIPTION
1	1	Lower Handle Tube	3	1	Upper Handle Tube
2	2	Middle Handle Tube	4	1	Power Rake Housing

ASSEMBLY



CAUTION: DO NOT ASSEMBLE WITH POWER RAKE PLUGGED INTO A POWER SOURCE

STEP 1: (SEE FIGURE 1)

- Turn the Power Rake housing upside down.
- Fasten the end of the lower handle tube with air intake holes to the side of the Power Rake housing with the large hole. Use the right handle bracket (H), hex bolt (A), right handle clamp (J) and wing knob (D). Align the pin in the bracket with the slot in the housing and tighten the wing knob.

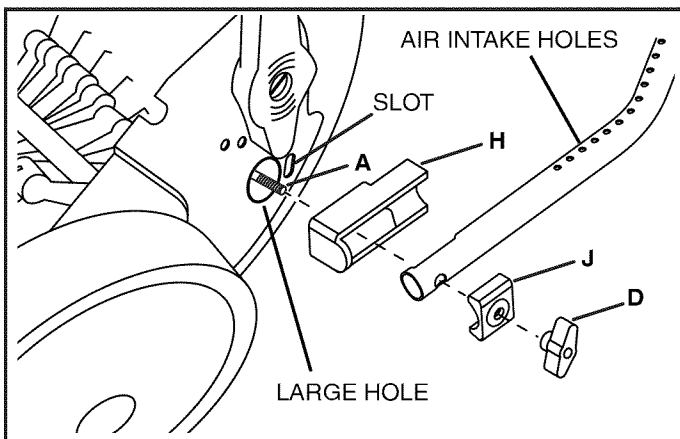


FIGURE 1

STEP 2: (SEE FIGURE 2)

- Fasten the lower handle tube to the left side of the Power Rake housing. Use the left handle bracket (I), carriage bolt (B), left handle clamp (G) and wing knob (D). Align the pin in the bracket with the slot in the housing and tighten the wing knob.

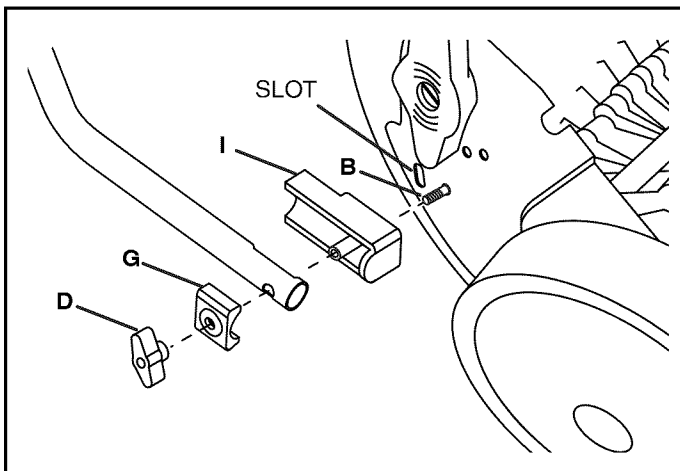


FIGURE 2

STEP 3: (SEE FIGURE 3)

- Turn the Power Rake housing upright and attach the long end of each of the middle handle tubes to the lower handle tube using two carriage bolts (C) and wing knobs (D).

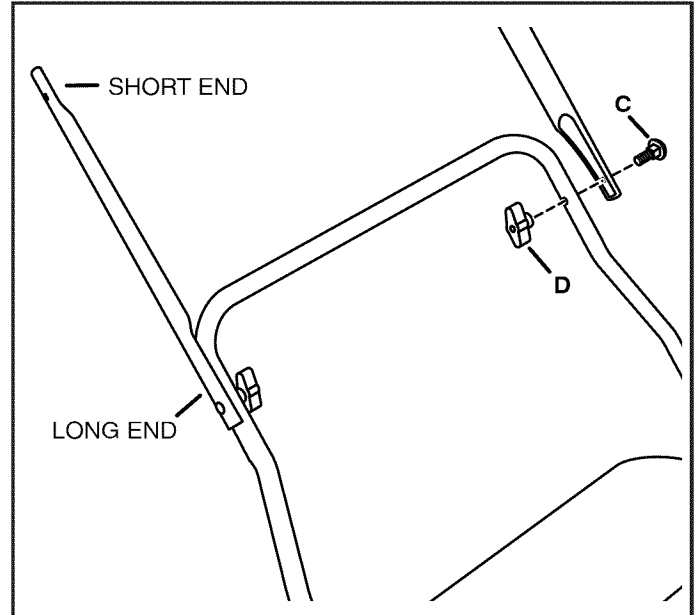


FIGURE 3

STEP 4: (SEE FIGURE 4)

- Slide the power cord holder (F) onto the right middle handle tube.

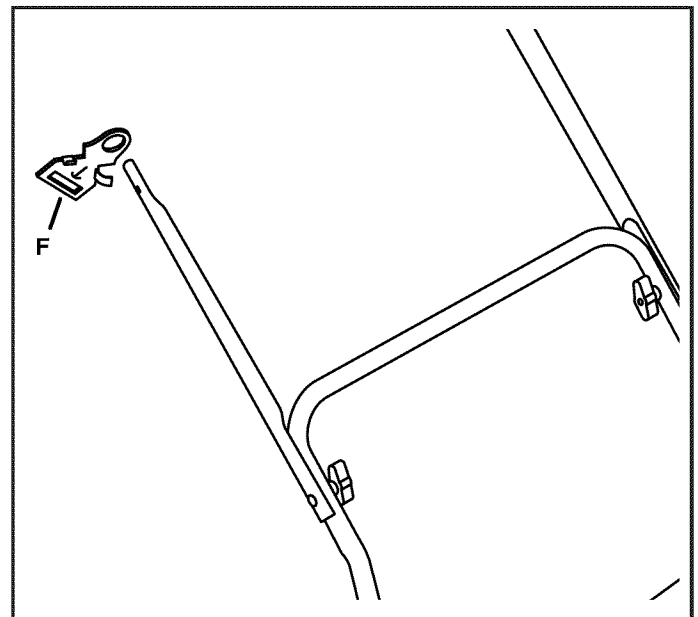


FIGURE 4

STEP 5: (SEE FIGURE 5)

- Attach the upper handle tube to the middle handle tubes using two carriage bolts (C) and wing knobs (D). Keep the cord holder above the carriage bolt and wing knob while assembling.

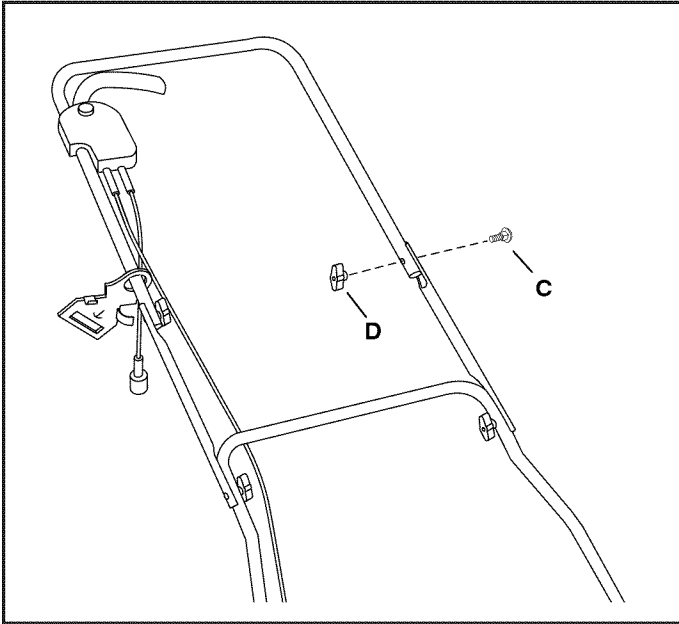


FIGURE 5

STEP 6: (SEE FIGURE 6)

- Secure the power cord to the upper and lower handle tubes using the power cord clips (E).

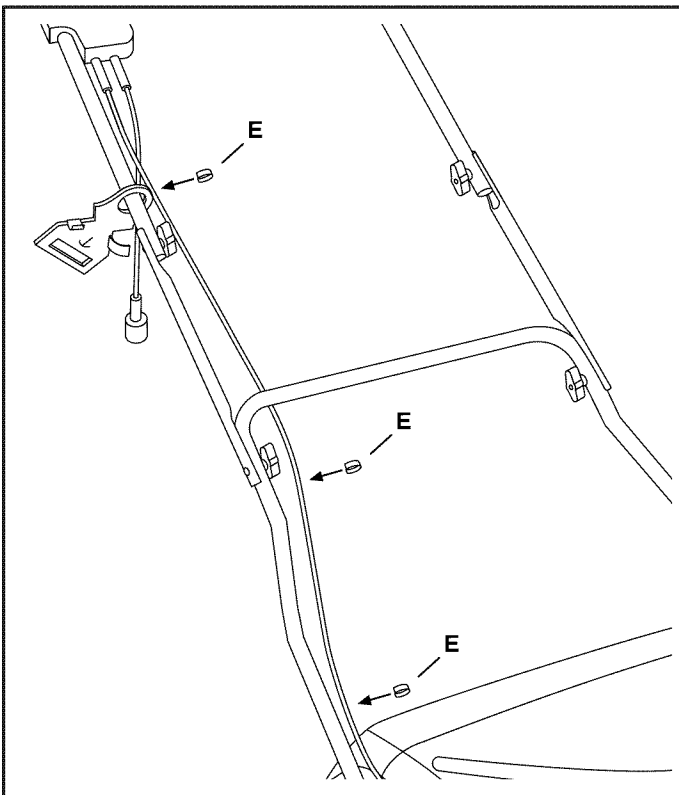


FIGURE 6

OPERATION

OPERATION

Become familiar with all of the controls and adjustments on the Power Rake before operating. Controls for operating Power Rake are as follows:

SAFETY SWITCH - Must be pressed in before handle switch can be used to start motor.

HANDLE SWITCH - Pull and hold to start and keep motor running. When let go motor will stop and safety switch should re-engage.

POWER CORD - Supplies electricity to the Power Rake, make sure to connect to a power supply using only outdoor rated extension cables.

CORD HOLDER - Holds extension cord to help keep it out of the way and take stress off of the handle switch cord.

EXTENSION CORD RATINGS

(Use only outdoor rated extension cords plugged into a ground fault receptacle.)

GAUGE	LENGTH
16 Gauge	0 - 50 Feet
14 Gauge	51 - 100 Feet

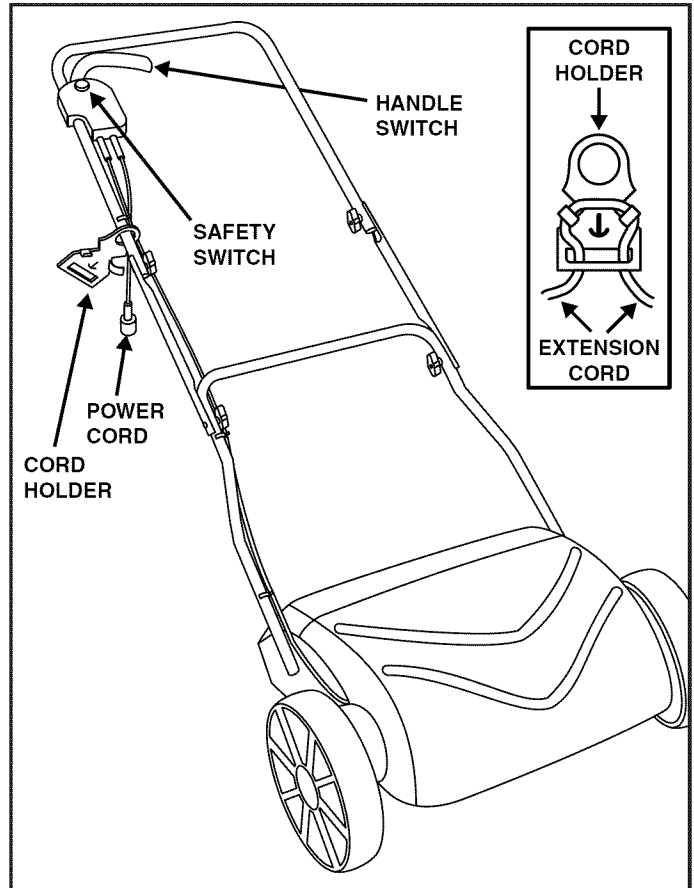


FIGURE 7

MAINTENANCE

MAINTENANCE



CAUTION: BEFORE PERFORMING ANY MAINTENANCE, MAKE SURE THE POWER RAKE IS TURNED OFF AND UNPLUGGED FROM ANY POWER SOURCE.

- Clear excess debris left in Power Rake housing after each use.
- Make sure nothing has wrapped around the tines/tine shaft. Remove anything that has wrapped itself around the tines/tine shaft.
- Check and make sure all wing knobs and carriage bolts are tightened. Re-tighten any loose knobs and bolts.

STORAGE

- Clean Power Rake and bag before storing. **Do not clean with water, solvents or petroleum based products.**
- Store in a dry place that is not exposed to the elements and out of the reach of children.

SERVICE AND ADJUSTMENTS

ADJUST TINE HEIGHT

The tine height is pre-adjusted for average lawn and may not need to be changed. Changes can be made to tine height if working conditions require it. Only make adjustments to tine height when Power Rake is turned off and unplugged from a power source. There are 5 positions for the tines (.7", .9", 1.1", 1.4" and 1.7"). Pull adjustment arm out from engagement hole, move it and then let it re-engage in the desired height position. Make adjustments by 1-step increments only and alternate between left and right sides when making adjustments. Adjustment arms **must always** be same height position when using the machine.

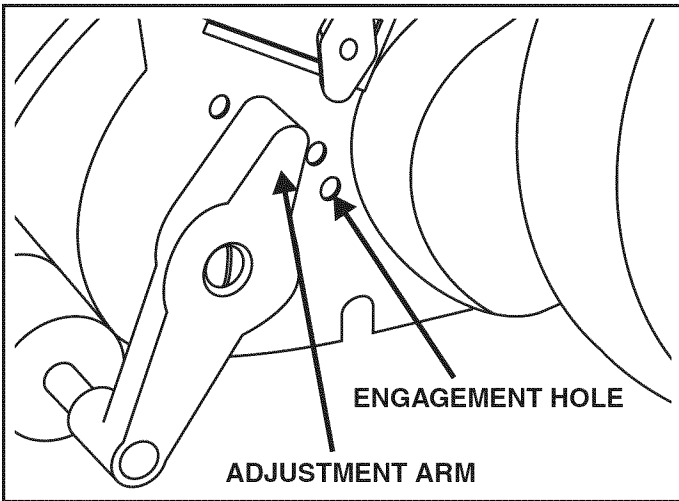


FIGURE 8

REPLACE DAMAGED OR WORN TINES

If a tine becomes worn or damaged, it can be replaced. To replace any worn or damaged tines, follow the steps below:

1. Make sure the dethatcher is turned off and unplugged from a power source.
2. Turn dethatcher over so tines can be easily accessed.
3. Remove the six screws holding the section together where the damaged tine resides and remove the top section.
4. Pull out damaged tine and replace it with a new tine.
5. Reattach the top section removed in step 3 with the screws that were removed.

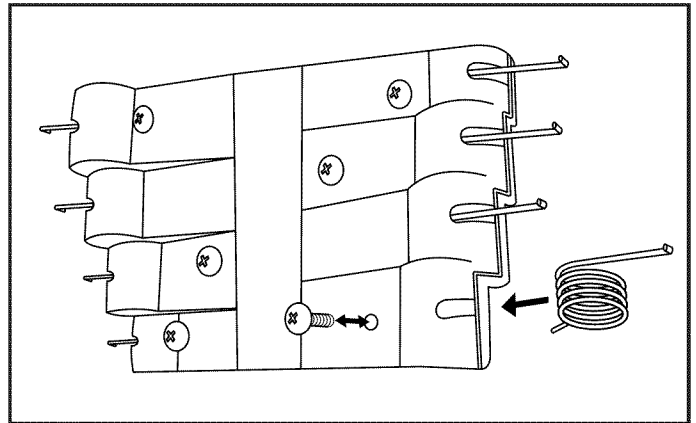


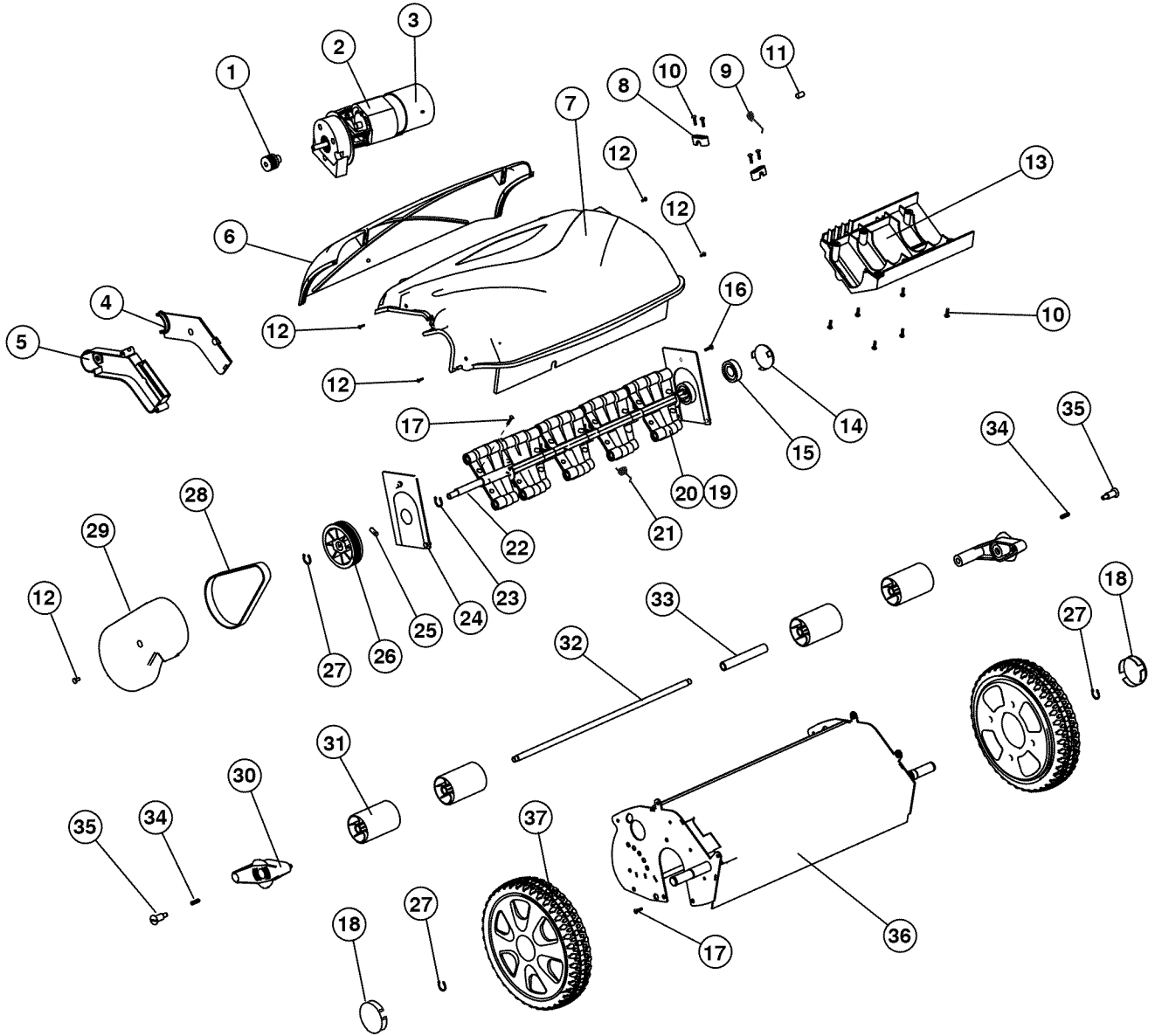
FIGURE 9

TROUBLESHOOTING

PROBLEM	CAUSE	CORRECTION
Noise in unit	Foreign objects in Power Rake.	<ol style="list-style-type: none"> 1. Turn off Power Rake, unplug from outlet and wait for rotation to stop. 2. Remove foreign objects from housing. 3. Check Power Rake for any other damage.
Whistling sound from unit	Belt (part number 28) is slipping	<ol style="list-style-type: none"> 1. Contact your local Sears Service Center.
Power Rake not starting	Faulty cable/wiring.	<ol style="list-style-type: none"> 1. Contact your local Sears Service Center.
Motor cuts out during operation	Tine rotation blocked by foreign objects	<ol style="list-style-type: none"> 1. Turn off Power Rake, unplug from outlet and wait for rotation to stop. 2. Remove foreign objects from housing. 3. Wait approximately 1 minute and then plug-in and turn on Power Rake.
	Tine depth set too low.	<ol style="list-style-type: none"> 1. Turn off Power Rake, unplug from outlet and wait for motor to cool down. 2. Set tine depth to appropriate height.
	Grass is too tall.	<ol style="list-style-type: none"> 1. Mow lawn before using Power Rake.
Dethatching is not satisfactory	Spring tines have excessive wear.	<ol style="list-style-type: none"> 1. Replace spring tines (see Service and Adjustments section on page 7.)
	Belt (part number 28) malfunctioning.	<ol style="list-style-type: none"> 1. Contact your local Sears Service Center.
	Grass is too tall.	<ol style="list-style-type: none"> 1. Mow lawn before using Power Rake.

REPAIR PARTS ILLUSTRATION

MODEL 486.29281



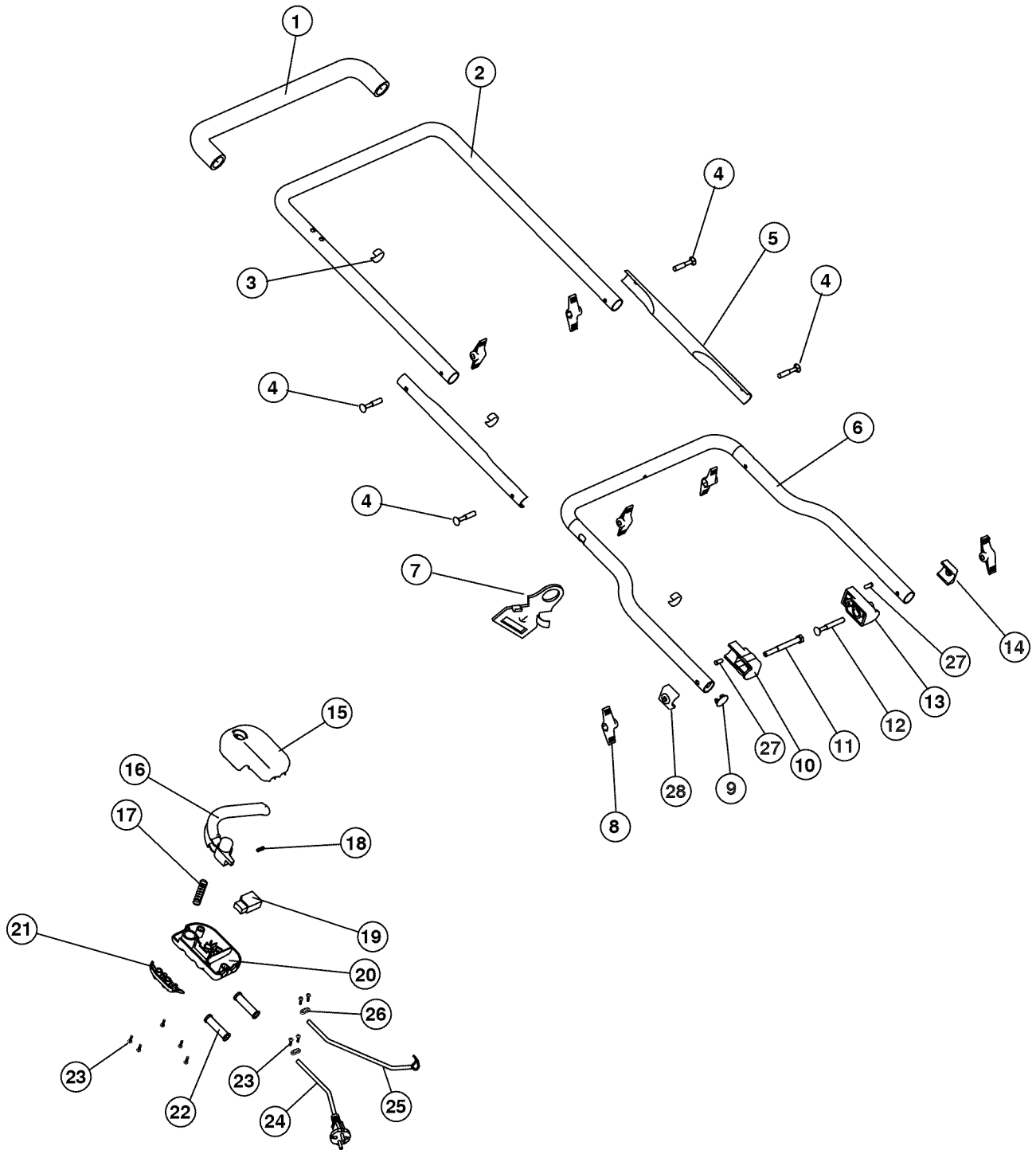
REPAIR PARTS LIST

MODEL 486.29281

REF	PART NO	QTY	DESCRIPTION	REF	PART NO	QTY	DESCRIPTION
1	MDL8.224.017	1	Pulley (small)	20	MDL8.043.033	5	Tine Housing 1 (Top)
2	MDL6.113.025	1	Motor Assembly	21	MDL8.288.004	40	Tine
3	MDL8.268.009	1	Motor Base	22	MDL8.205.023	1	Reel Axle
4	MDL8.211.052	1	Air Intake Housing 2	23	GB 896	2	Circlip
5	MDL8.211.051	1	Air Intake Housing 1	24	MDL8.123.004	2	Reel Plate
6	MDL8.306.030	1	Rear Flap	25	GB119-86	2	Round Pin
7	MDL8.306.028	1	Housing	26	MDL8.224.024	1	Pulley (large)
8	MDL8.271.008	2	Hinge Bracket	27	GB894	4	Circlip
9	MDL8.281.044	1	Hinge Spring	28	MDL8.299.004	1	Belt
10	GB845-85	10	Screw (ST3.9X18-F-H)	29	MDL8.306.031	1	Belt Cover
11	MDL8.271.013	1	Pin	30	MDL8.075.003	2	Height Adjuster
12	GB/T818-2000	5	Screw M5x10	31	MDL8.224.003	4	Roller
13	MDL8.306.029	1	Motor Housing	32	MDL8.205.019	1	Roller Axle
14	MDL8.263.006	1	Bearing Cover	33	MDL8.212.002	1	Axle Sleeve
15	GB/T276-94	6	Ball Bearing	34	MDL8.281.025	2	Spring
16	GB/T818-2000	6	Screw, M6x15	35	MDL8.919.002	2	Screw
17	GB864-85	31	Screw, (ST4.8X16-F-H)	36	MDL5.050.015	1	Axle & Housing Assembly
18	MDL8.315.004	2	Hub Cap	37	MDL5.224.015	2	Wheel Assembly
19	MDL8.043.032	5	Tine Housing 2 (Bottom)				

REPAIR PARTS ILLUSTRATION

MODEL 486.29281



REPAIR PARTS LIST

MODEL 486.29281

REF	PART NO	QTY	DESCRIPTION	REF	PART NO	QTY	DESCRIPTION
1	MDL8.212.026	1	Foam Grip	15	MDL8.353.029	1	Switch Box 1
2	MDL8.253.0128	1	Upper Handle	16	MDL8.253.052	1	Switch Trigger
3	MDL8.486.054	3	Power Cord Clip	17	MDL8.281.028	1	Spring
4	GB14-80	4	Carriage Bolt, M8 X 45	18	MDL8.281.029	1	Return Spring
5	MDL8.253.0126	2	Middle Handle Tubes	19	FA1-6/2B-A1	1	Switch
6	MDL8.253.127	1	Bottom Handle	20	MDL8.353.030	1	Switch Box 2
7	MDL8.486.016	1	Power Cord Holder	21	MDL8.100.016	1	Switch Box Clamp
8	MDL8.253.129	6	Wing Knob	22	MDL8.369.006	2	Cable Jacket
9	MDL8.462.001	1	Tubing Plug	23	GB845-85	9	Screw (ST3.9X18-F-H)
10	MDL8.211.052	1	Right Handle Bracket	24	MDL5.501.026	1	Cable & Plug
11	MDL8.919.005	1	Hex Bolt	25	MDL5.501.013	1	Cable
12	GB14-80	1	Carriage Bolt M8x65	26	MDL8.100.015	2	Cable Clamp
13	MDL8.100.013	1	Left Handle Bracket	27	MDL8.933.004	2	Pin
14	MDL8.101.011	1	Left Handle Clamp	28	MDL8.101.028	1	Right Handle Clamp
					42157	1	Owners Manual

Get it fixed, at your home or ours!

Your Home

For expert troubleshooting and home solutions advice:

manage my home

www.managemyhome.com

For repair – **in your home** – of **all** major brand appliances, lawn and garden equipment, or heating and cooling systems, **no matter who made it, no matter who sold it!**

For the replacement parts, accessories and owner's manuals that you need to do-it-yourself.

For Sears professional installation of home appliances and items like garage door openers and water heaters.

1-800-4-MY-HOME[®] (1-800-469-4663)

Call anytime, day or night (U.S.A. and Canada)

www.sears.com www.sears.ca

Our Home

For repair of carry-in items like vacuums, lawn equipment, and electronics, call anytime for the location of your nearest

Sears Parts & Repair Service Center

1-800-488-1222 (U.S.A.)

www.sears.com

1-800-469-4663 (Canada)

www.sears.ca

To purchase a protection agreement on a product serviced by Sears:

1-800-827-6655 (U.S.A.)

1-800-361-6665 (Canada)

Para pedir servicio de reparación a domicilio, y para ordenar piezas:

1-888-SU-HOGAR[®]

(1-888-784-6427)

Au Canada pour service en français:

1-800-LE-FOYER^{MC}

(1-800-533-6937)

www.sears.ca



© Registered Trademark / TM Trademark / SM Service Mark of Sears Brands, LLC

© Marca Registrada / TM Marca de Fábrica / SM Marca de Servicio de Sears Brands, LLC

^{MC} Marque de commerce / ^{MD} Marque déposée de Sears Brands, LLC

© Sears Brands, LLC

Free Manuals Download Website

<http://myh66.com>

<http://usermanuals.us>

<http://www.somanuals.com>

<http://www.4manuals.cc>

<http://www.manual-lib.com>

<http://www.404manual.com>

<http://www.luxmanual.com>

<http://aubethermostatmanual.com>

Golf course search by state

<http://golfingnear.com>

Email search by domain

<http://emailbydomain.com>

Auto manuals search

<http://auto.somanuals.com>

TV manuals search

<http://tv.somanuals.com>