

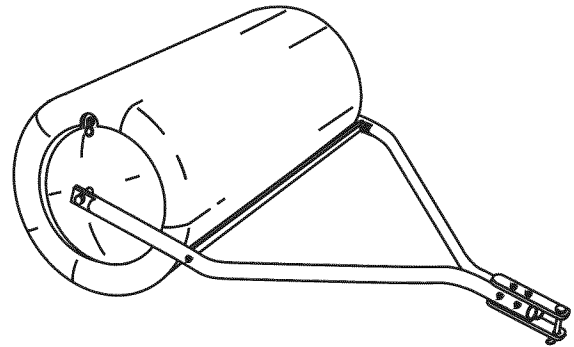
# User Instructions

# CRAFTSMAN®

## POLY LAWN ROLLER

18" x 48"

Model No. 486.24251



### SAFETY PRECAUTIONS

1. Read these user instructions and know how to operate your vehicle before using this lawn roller.
2. **Never** attach a garden hose to the fill/drain hole when filling. Dangerous pressure build up could occur inside roller.
3. Do not fill roller to maximum weight without checking capability of vehicle to safely pull and stop.
4. Never use roller up and down hills; always work across hills and slopes.
5. Use caution when turning, slowing or stopping.
6. Always drain roller to keep from freezing.

### ASSEMBLY INSTRUCTIONS

For missing parts or assembly questions call 1-866-576-8388

**NOTE:** Do not tighten until all bolts are assembled.

1. Assemble two washers (6) onto each end of the roller.
2. Assemble a flange bearing (5) through each hitch tube (3) so that the flange will face toward the roller. (To assemble, you may need to carefully tap against the flange bearing with a block of wood or a hammer.)
3. Place the hitch tubes (3) onto both ends of the roller. Assemble the scraper bar (2) to the hitch tubes using two hex bolts (9) and hex lock nuts (10).
4. Assemble the hitch tubes (3) together using two hex bolts (7) and hex lock nuts (10).
5. Assemble the hitch brackets (4) to the hitch tubes (3) using two hex bolts (8) and hex lock nuts (10). **Tighten** all bolts at this time.
6. Adjust plug (11) size by twisting handle. Lock plug in roller drum by flipping handle down.

### SPECIFICATIONS:

- Roller Drum:** 18" Dia. x 48" Wide, H.D. Polyethylene  
**O.A. Width:** Approx. 54"  
**Bearings:** 3/4" I.D., Replaceable  
**Tow Hitch:** Std. Pin Type - 1/2" Hole  
**Weight w/ Water:** Up to 550 Lbs. Filled with Water  
(Note: May be filled with sand)

### ONE YEAR FULL WARRANTY

When operated and maintained according to all supplied instructions, if this Craftsman product fails due to a defect in material or workmanship within one year from the date of purchase, return it to any Sears store or other Craftsman outlet in the United States for free replacement.

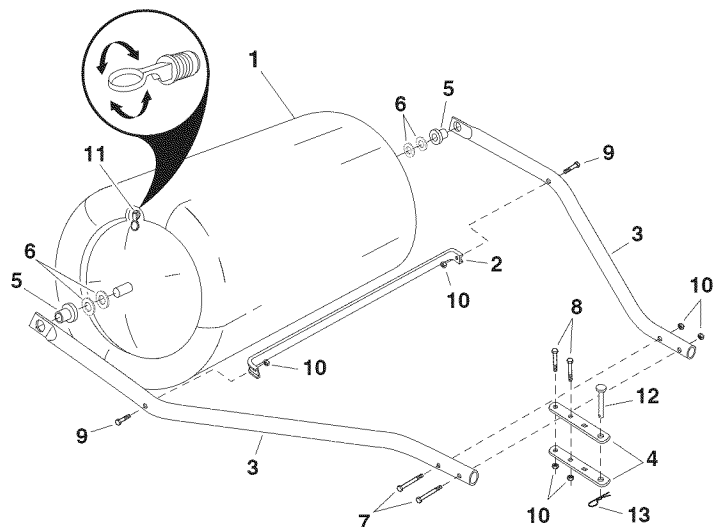
This warranty applies for only 90 days if this product is ever used for commercial or rental purposes.

This warranty gives you specific legal rights, and you may have other rights which vary from state to state.

Sears, Roebuck and Co., Hoffman Estates, IL 60179

Call 1-800-4-MY-HOME® for replacement parts.

Ref.	Part No.	Qty.	Description
1	----	1	Roller Drum (Not sold separately)
2	24355	1	Scraper Bar
3	46970	2	Hitch Tube
4	24192	2	Hitch Bracket
5	44798	2	Bearing, Nylon Flange
6	43009	4	Washer, 1.59 x 25/32
7	46782	2	Hex Bolt, 5/16-18 x 3"
8	43224	2	Hex Bolt, 5/16-18 x 2-1/4"
9	43084	2	Hex Bolt, 5/16-18 x 1-3/4"
10	47810	6	Hex Lock Nut, 5/16-18
11	49467	1	Plug, Lawn Roller
12	47623	1	Hitch Pin
13	43343	1	Hair Cotter Pin, 3/32"



Sears, Roebuck and Co., Hoffman Estates, IL 60179 U.S.A.  
www.craftsman.com

FORM NO. 42108 (9/25/08)

## Free Manuals Download Website

<http://myh66.com>

<http://usermanuals.us>

<http://www.somanuals.com>

<http://www.4manuals.cc>

<http://www.manual-lib.com>

<http://www.404manual.com>

<http://www.luxmanual.com>

<http://aubethermostatmanual.com>

Golf course search by state

<http://golfingnear.com>

Email search by domain

<http://emailbydomain.com>

Auto manuals search

<http://auto.somanuals.com>

TV manuals search

<http://tv.somanuals.com>