

Owner's Manual



48" TOW LAWN FINISHER

Model No. 486.24539



CAUTION:

Before using this product, read this manual and follow all Safety Rules and Operating Instructions.

IMPORTANT - READ THIS FIRST!!!

For Missing Parts or Assembly Questions

Please Call 1-866-576-8388

Mon.-Fri. 7am - 5pm CST.

FAX 217-728-2032 or email info@agri-fab.com

Missing parts will be sent UPS in 24 hours directly to your home.

- Safety
- Assembly
- Operation
- Maintenance
- Parts

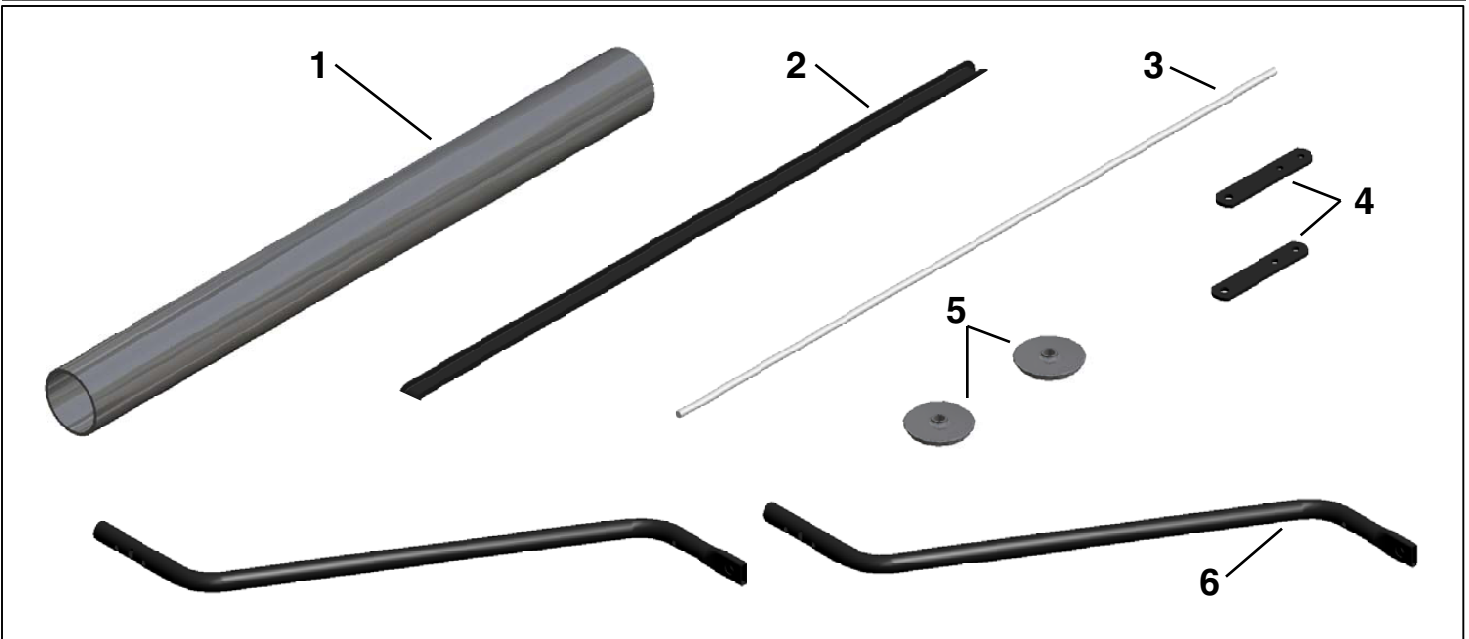
Sears, Roebuck and Co., Hoffman Estates, IL 60179 U.S.A.

www.sears.com/craftsman

PRINTED IN U.S.A.

FORM NO. 49577 (Rev. 3/05)

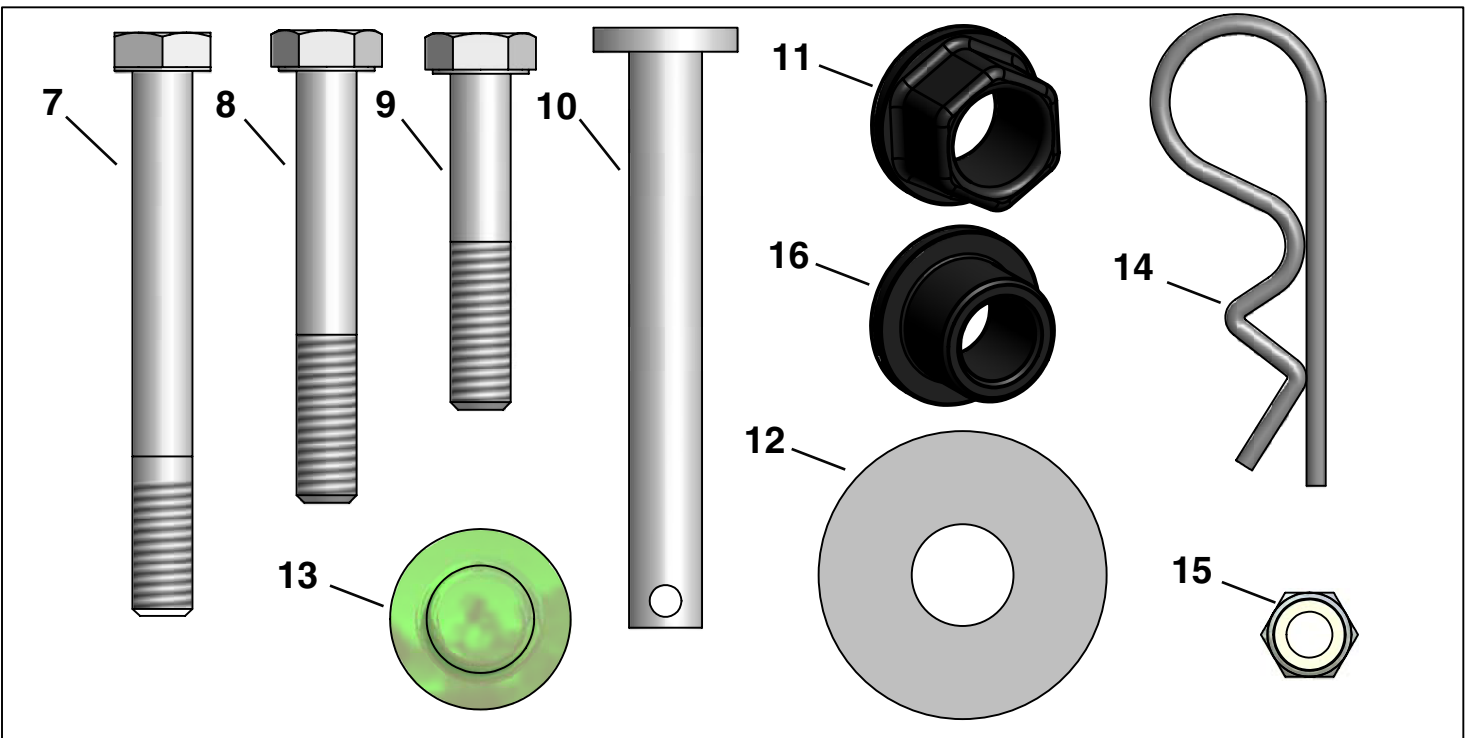
CARTON CONTENTS



#	PART #	DESCRIPTION	QTY
1	49574	STRIPER TUBE	1
2	25505	SCRAPER BAR	1
3	25506	STRIPER AXLE	1

#	PART #	DESCRIPTION	QTY
4	24192	HITCH BRACKET	2
5	49575	END CAP	2
6	49576	HITCH TUBE	2

HARDWARE CONTENTS



#	PART #	DESCRIPTION	QTY
7	44292	BOLT, HEX 5/16 X 2-1/2"	2
8	43224	BOLT, HEX 5/16 X 2-1/4"	2
9	43084	BOLT, HEX 5/16 X 1-3/4"	2
10	47623	PIN, HITCH	1
11	47963	HEX FLANGE BEARING	2

#	PART #	DESCRIPTION	QTY
12	R19172410	WASHER, 0.53" X 1.5"	2
13	44166	PALNUT, 1/2"	2
14	43343	HAIRPIN COTTER	1
15	47810	NUT, HEX 5/16" NYLOCK	6
16	741-0248	ROUND FLANGE BEARING	2

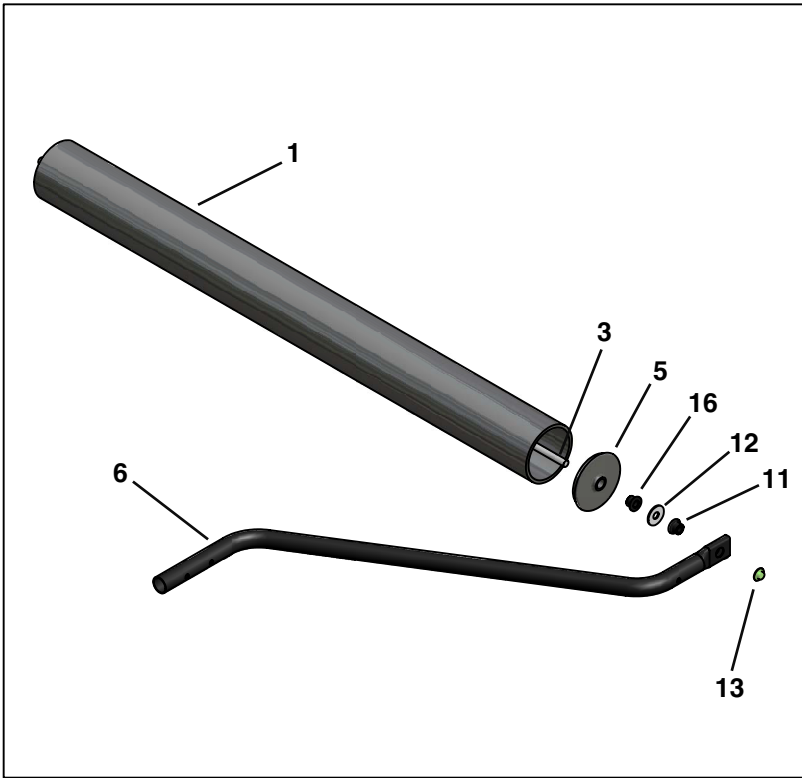


FIGURE 1

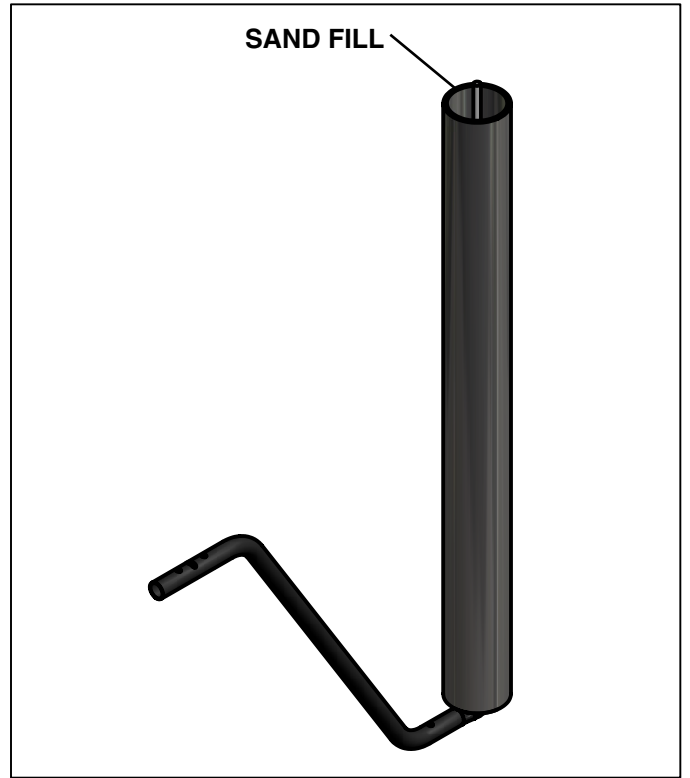


FIGURE 2

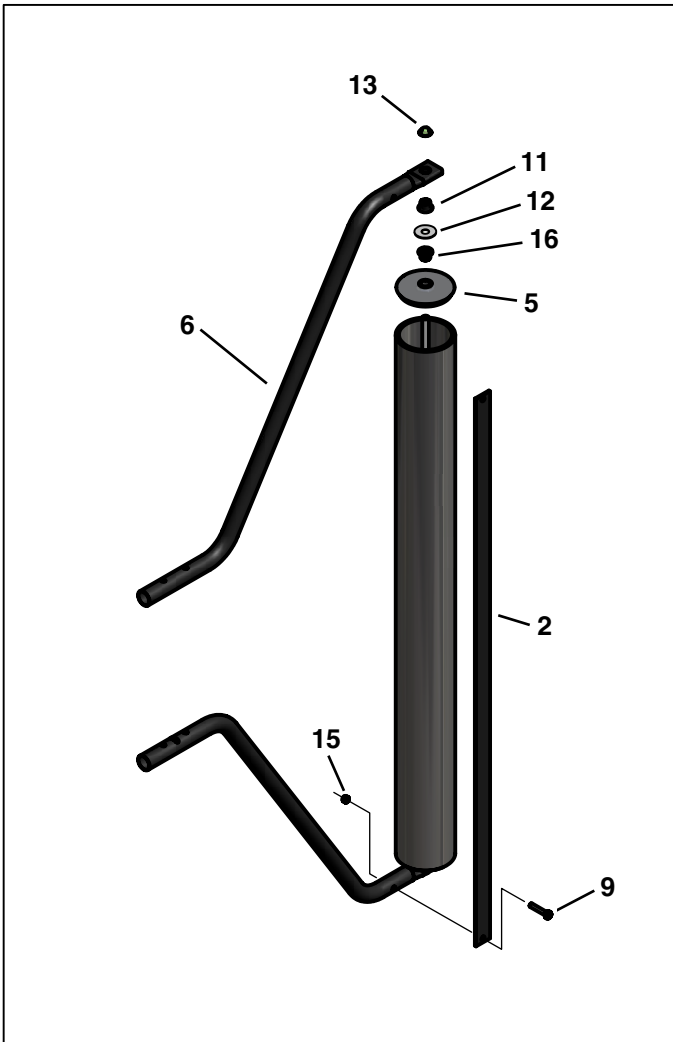


FIGURE 3



FIGURE 4

ASSEMBLY

Tools Needed:

- (2) 1/2" Open End Wrench
- (1) Hammer

*Refer to Illustrations on page 3.

(See Figure 1)

1. Insert one Round Flange Bearing(16) into the hole in the End Cap(5), and insert End Cap(5) into one end of the Striper Tube(1).
2. Slide the Axle(3) through the Round Flange Bearing(16) leaving roughly 3" of axle outside the End Cap. Place one Washer(12) over the end of the axle.
3. Insert one Hex Flange Bearing(11) into the hole in the Hitch Tube(6), and slide the Hitch Tube over the axle. The bearing flange must face against the washer.
4. Using a Hammer, tap one 1/2" Palnut(13) over the end of the Axle(3), until it is fully seated.

(See Figure 2)

5. Place the unit in an upright position and fill the Striper Tube(1) with sand. Leave about 1" of the tube un-filled.

(See Figure 3)

6. With the unit still standing on end, insert one Round Flange Bearing(16) into the hole in the End Cap(5), and insert End Cap(5) over the axle, until it is fully seated in the Striper Tube(1).
7. Place a Washer(12) over the end of the axle.
8. Insert one Hex Flange Bearing(11) into the hole in the Hitch Tube(6) and slide the Hitch Tube over the axle. The bearing flange must face against the washer.
9. Using a Hammer, tap one 1/2" Palnut(13) over the end of the Axle(3), until it is fully seated.
10. Carefully lay the unit down and place the Scraper Bar (2) on top of the Hitch Tubes(6) and secure to each end with one 5/16" x 1-3/4" Hex Bolt(9) and one 5/16" Nylock Nut(15). Make sure both bolts are tight.

(See Figure 4)

11. Place two 5/16" x 2-1/2" Hex Bolts(7) through the Hitch Tubes, and secure with two 5/16" Nylock Nuts(15).
DO NOT FULLY TIGHTEN THE NUTS AT THIS TIME.
12. Place two 5/16" x 2-1/4" Hex Bolts(8) through one of the Hitch Brackets(4). From the top, slide the bolts between the two Hitch Tubes, making sure the Bracket Bolts(8) are in between the Tube Bolts(7).
13. Place the other Hitch Bracket(4) on the bottom of the Hitch Tubes and secure with two 5/16" Nylock Nuts.
TIGHTEN ALL BOLTS.

OPERATION

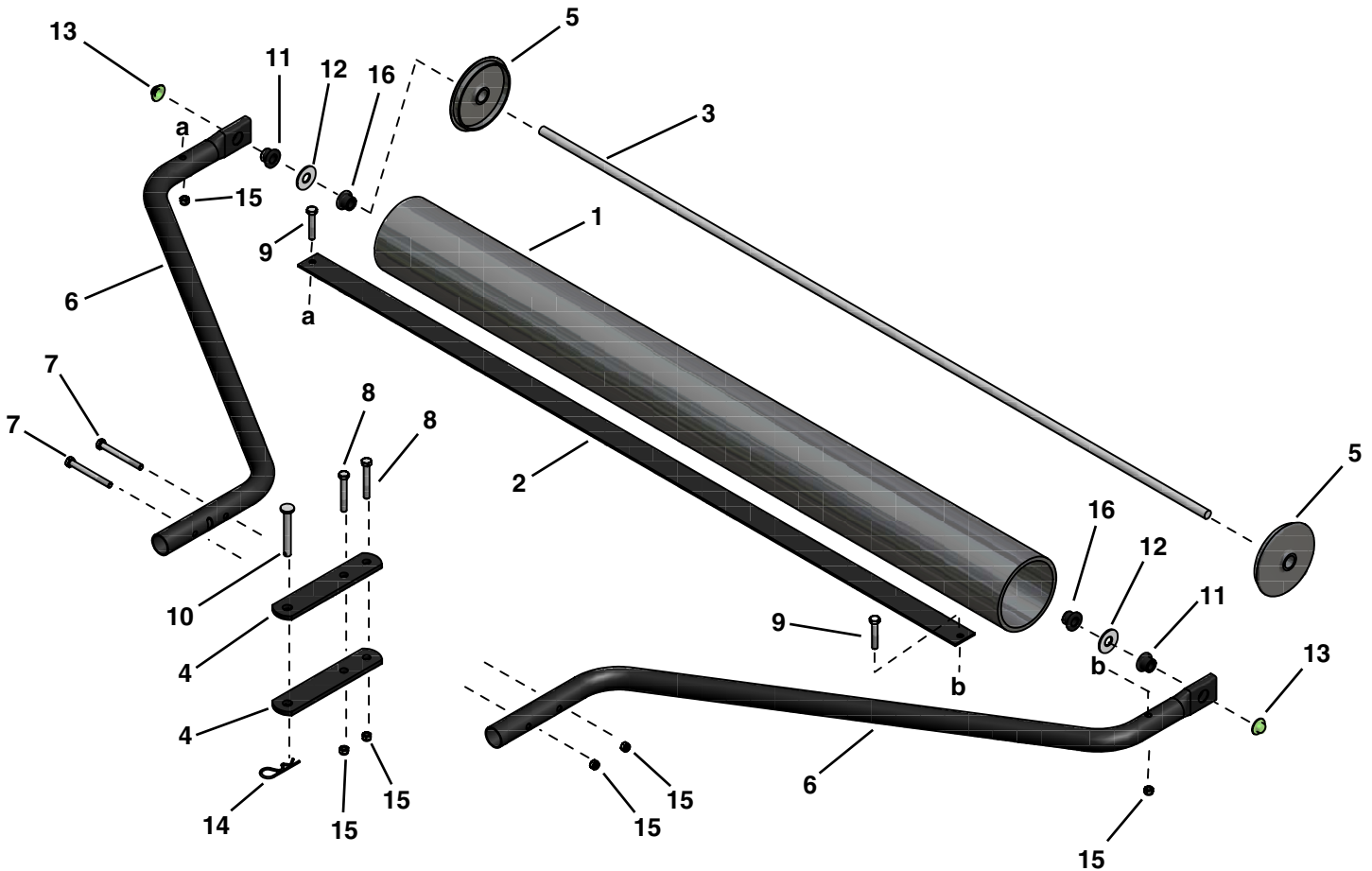
1. Attach the Lawn Finisher behind any Lawn and Garden tractor, with one Hitch Pin(10) and one Hairpin Cotter(14).
2. Tow in a "back and forth" manner across your yard, to create the desired look. This unit can be towed while mowing.

SPECIFICATIONS

Roller Length	48"
Roller Dia.	4"

PARTS BREAKDOWN

REPAIR PARTS FOR MODEL 486.24539



#	PART #	DESCRIPTION	QTY
1	49574	Striper Tube	1
2	25505	Scraper Bar	1
3	25506	Axle	1
4	24192	Hitch Bracket	2
5	49575	End Cap	2
6	49576	Hitch Tube	2
7	44292	Bolt, Hex 5/16" x 2-1/2"	2
8	43224	Bolt, Hex 5/16" x 2-1/4"	2

#	PART #	DESCRIPTION	QTY
9	43084	Bolt, Hex 5/16" x 1-3/4"	2
10	47623	Pin, Hitch	1
11	47963	Hex Flange Bearing	2
12	R19172410	Washer, 0.53 x 1.5"	2
13	44166	1/2" Palnut	2
14	43343	Pin, Hairpin Cotter	1
15	47810	Nut, Hex 5/16" Nylock	6
16	741-0248	Round Flange Bearing	2

Get it fixed, at your home or ours!

For repair of major brand appliances **in your own home...**
no matter who made it, no matter who sold it!

1-800-4-MY-HOMESM Anytime, day or night
(1-800-469-4663)

www.sears.com

To bring in products such as vacuums, lawn equipment and electronics
for repair, call for the location of your nearest **Sears Parts & Repair Center.**

1-800-488-1222 Anytime, day or night

www.sears.com

For the replacement parts, accessories and owner's manuals
that you need to do-it-yourself, call **Sears PartsDirectSM!**

1-800-366-PART 6 a.m. – 11 p.m. CST,
(1-800-366-7278) 7 days a week

www.sears.com/partsdirect

To purchase or inquire about a Sears Service Agreement:

1-800-827-6655

7 a.m. – 5 p.m. CST, Mon. – Sat.

Para pedir servicio de reparación a domicilio,
y para ordenar piezas con entrega a domicilio:

1-888-SU-HOGARSM
(1-888-784-6427)

Au Canada pour service en français:

1-877-LE-FOYERSM
(1-877-533-6937)



Free Manuals Download Website

<http://myh66.com>

<http://usermanuals.us>

<http://www.somanuals.com>

<http://www.4manuals.cc>

<http://www.manual-lib.com>

<http://www.404manual.com>

<http://www.luxmanual.com>

<http://aubethermostatmanual.com>

Golf course search by state

<http://golfingnear.com>

Email search by domain

<http://emailbydomain.com>

Auto manuals search

<http://auto.somanuals.com>

TV manuals search

<http://tv.somanuals.com>