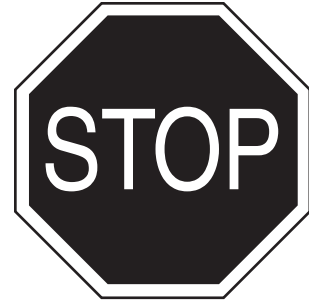


Owner's Manual

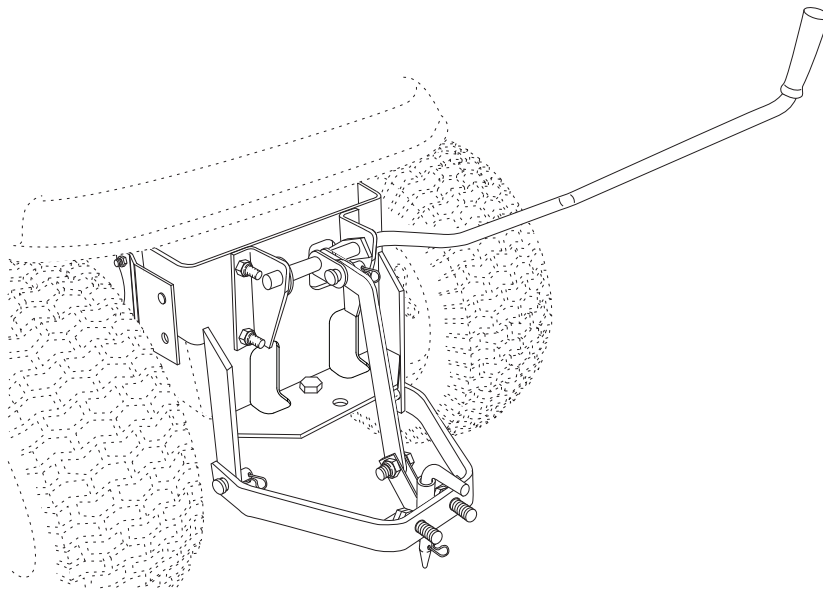
CRAFTSMAN®



SLEEVE HITCH

Model No. 486.24586

DO NOT RETURN TO STORE
For Missing Parts or Assembly
Questions Call 1-866-576-8388



This is an attachment for "Garden Tractors" with 23" or larger rear tires only. The sleeve hitch is not designed to fit or be used on "Yard Tractors" or "Lawn Tractors" that have 22" or smaller rear tires.

CAUTION:

Before using this product, read this manual and follow all Safety Rules and Operating Instructions.

- Safety
- Assembly
- Operation
- Maintenance
- Parts

Sears Brands Management Corporation, Hoffman Estates, IL 60179 U.S.A.
www.sears.com/craftsman

PRINTED IN USA

FORM NO. 41362 (05/20/10)

TABLE OF CONTENTS

SAFETY RULES..... 2	LOCATE TRACTOR MODEL NUMBER 5
ACCESSORIES..... 3	MOUNTING ASSEMBLY (917 MODEL TRACTORS)..... 6
HARDWARE PACKAGE CONTENTS 3	MOUNTING ASSEMBLY (247 MODEL TRACTORS)..... 7
CARTON CONTENTS..... 4	MAINTENANCE/OPERATION..... 10
TOOLS FOR ASSEMBLY 4	REPAIR PARTS LIST..... 11
SLEEVE HITCH ASSEMBLY 5	PARTS ORDERING/SERVICE Back Page

WARRANTY

ONE YEAR FULL WARRANTY

When operated and maintained according to the instructions supplied with it, if this Sleeve Hitch fails due to a defect in material or workmanship within one year from the date of purchase, call 1-800-4-MY-HOME® to arrange for free repair (or replacement if repair proves impossible).

If this product is used for commercial or rental purposes, this warranty applies for only 90 days from the date of purchase.

This warranty gives you specific legal rights, and you may also have other rights which vary from state to state.

Sears, Roebuck and Co., Hoffman Estates, IL 60179

DO NOT RETURN TO STORE for Missing Parts or Assembly Questions
Call 1-866-576-8388 Attachment Hotline



SAFETY



Any power equipment can cause injury if operated improperly or if the user does not understand how to operate the equipment. Exercise caution at all times, when using power equipment.

- Read this owners manual and your vehicle and implement owners manuals before using this hitch.
 - Do not allow children to operate vehicle or sleeve hitch.
 - Do not allow adults to operate the vehicle or sleeve hitch without proper instructions.
 - Do not allow anyone to ride on sleeve hitch.
 - Always place sleeve hitch in lowered position when attaching an implement.
- Before lowering and operating the implement, be sure no one is near the area of operation.
 - Lower the sleeve hitch and implement when leaving vehicle unattended.
 - Vehicle braking and stability may be affected. Drive slowly when sleeve hitch and implement are in raised position. **Stay off of steep slopes.**
 - Keep all nuts and bolts tight and be sure the equipment is in safe operating condition.



Look for this symbol to point out important safety precautions. It means — **Attention!! Become alert!! Your safety is involved.**

The model number and serial numbers will be found on a decal attached to the frame.

You should record both the serial number and the date of purchase and keep in a safe place for future reference.

MODEL NUMBER: 486.24586

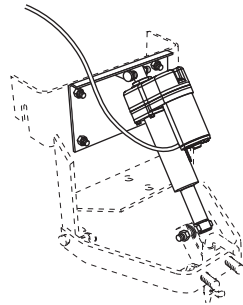
SERIAL NUMBER: _____

DATE OF PURCHASE: _____

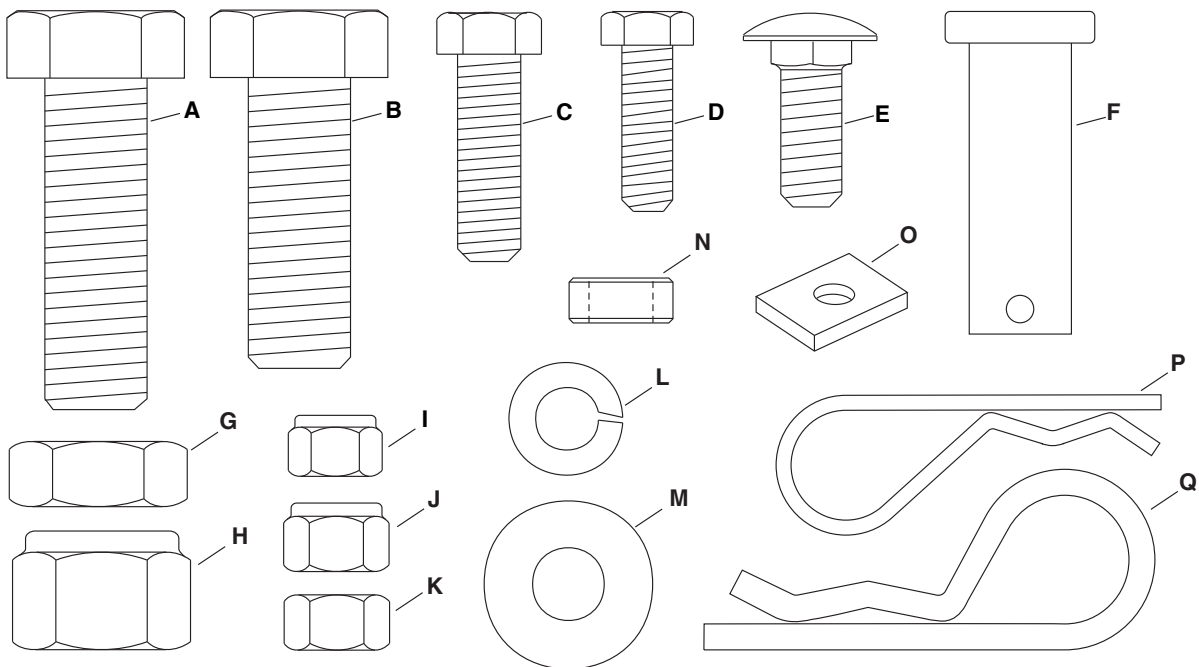
ACCESSORIES

The following accessories are recommended for use with your unit. Call 1-800-4-MY-HOME® to find out if they are available. If available, they may be purchased at most Craftsman outlets or by calling 1-800-4-MY-HOME®.

ELECTRIC ASSIST KIT - MODEL 486.24545



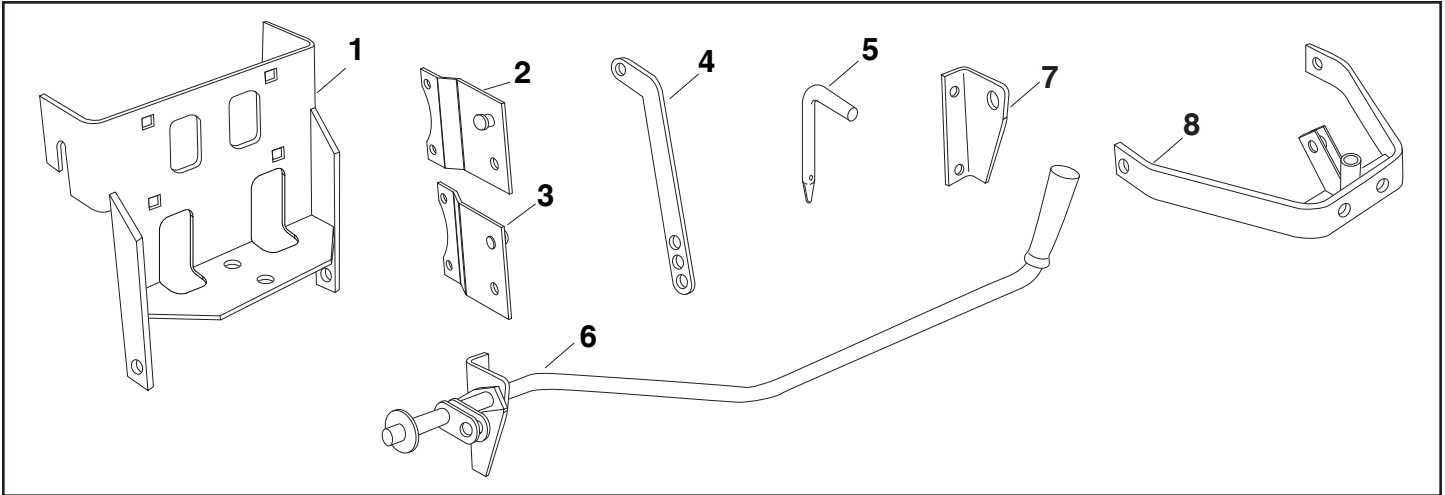
HARDWARE PACKAGE CONTENTS



REF	PART NO.	QTY	DESCRIPTION	REF	PART NO.	QTY	DESCRIPTION
A	47947	2	Bolt, Hex 5/8-11 x 2"	J	HA21362	4	Nylock Nut, 3/8-16
B	47951	2	Bolt, Hex 5/8-11 x 1-3/4"	K	43015	4	Hex Nut, 3/8-16
C	43087	4	Bolt, Hex 3/8-16 x 1-1/4"	L	43003	4	Lock Washer, 3/8"
D	43063	1	Hex Bolt, 5/16-18 x 1"	M	43070	2	Flat Washer
E	43350	4	Bolt, Carriage 3/8-16 x 1"	N	23625	1	Spacer
F	HA3980	3	Clevis Pin, 5/8" x 1-3/4"	O	25685	1	Spacer Plate
G	712-0242	2	Hex Jam Nut, 5/8-11	P	43343	3	Pin, Hair Cotter 3/32"
H	712-0261	2	Nylock Nut, 5/8-11	Q	714-0117	1	Pin, Hair Cotter, 5/32"
I	47810	1	Nylock Nut, 5/16"				

NOTE: Bolt (C), Lock Washer (L) and Nut (K) will only be used if the mounting holes in the tractor do not already contain bolts and nuts.

CARTON CONTENTS



REF	QTY	DESCRIPTION	REF	QTY	DESCRIPTION
1	1	Sleeve Hitch Frame Assembly	5	4	Hitch Pin
2	1	Right Mounting Bracket	6	1	Lift Lever Assembly (with Right Pivot Bracket)
3	1	Left Mounting Bracket	7	1	Left Pivot Bracket
4	4	Lifting Link Plate	8	1	Sleeve Hitch Lift Assembly

TOOLS FOR ASSEMBLY

TOOLS NEEDED FOR ASSEMBLY

- (1) 1/2" Wrench or Adjustable Wrench
- (2) 9/16" Wrenches or Adjustable Wrenches
- (1) 15/16" Wrenches or Adjustable Wrenches

SLEEVE HITCH ASSEMBLY

STEP 1: (SEE FIGURE 1)

- Assemble a 5/16" x 1" hex bolt, a spacer and a 5/16" nylock nut to the hole in the Right Pivot Bracket.

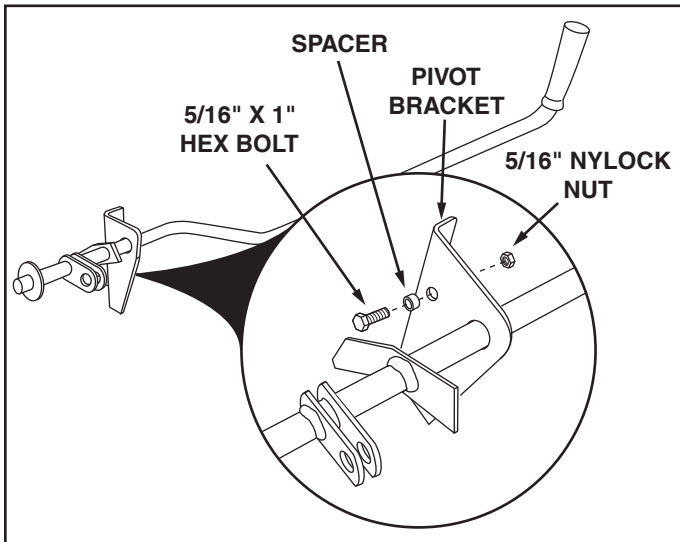


FIGURE 1

STEP 2: (SEE FIGURE 2)

- Place the Left Pivot Bracket onto the end of the Lift Lever Assembly (the Right Pivot Bracket comes already installed on the assembly).
- Attach the Right and Left Pivot Brackets to the Sleeve Hitch Frame Assembly using four 3/8" x 1" carriage bolts and 3/8" nylock nuts.

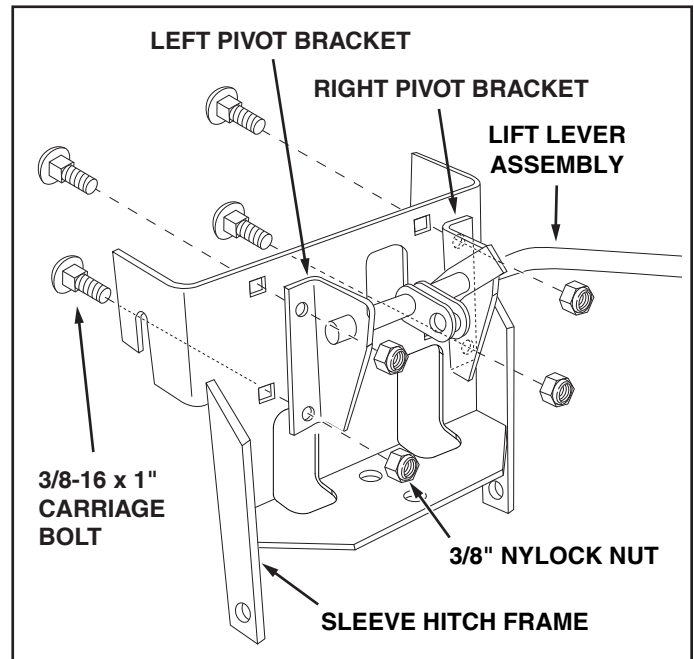


FIGURE 2

LOCATE TRACTOR MODEL NUMBER

Look under the seat of your tractor and locate the model number. For tractors with model numbers beginning with 917, proceed to MOUNTING BRACKET ASSEMBLY on page 6. For tractors with model numbers beginning with 247, proceed to SLEEVE HITCH ASSEMBLY on page 7.



**917 MODEL TRACTORS
GO TO PAGE 6**



**247 MODEL TRACTORS
GO TO PAGE 7**

MOUNTING BRACKET ASSEMBLY

THIS ASSEMBLY IS FOR 917 TRACTOR MODELS ONLY.

IF YOUR TRACTOR LOOKS LIKE FIGURE 1A

- Install two 3/8" x 1-1/4" hex bolts in the left side of the tractor as shown. Attach the Left Mounting Bracket (pin at top facing in) to the bolts using two 3/8" lock washers and 3/8" hex nuts. Repeat on the right side.

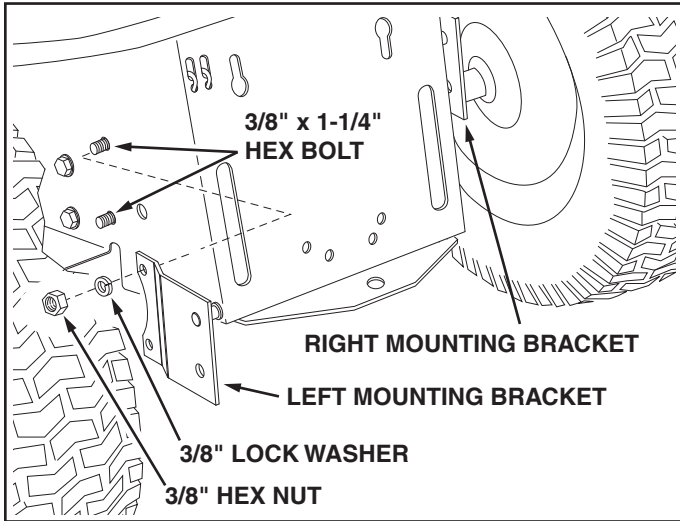


FIGURE 1A

IF YOUR TRACTOR LOOKS LIKE FIGURE 1B

- Remove the nuts from the two bolts shown in each side of the tractor, leaving the bolts in place.
- Attach the Left Mounting Bracket (pin at top facing in) to the bolts using the original nuts and a 3/8" flat washer.

NOTE: If no bolt and nut are present in a hole, use a 3/8" x 1-1/4" hex bolt, 3/8" lock washer and 3/8" hex nut to attach the Mounting Bracket to the hole.

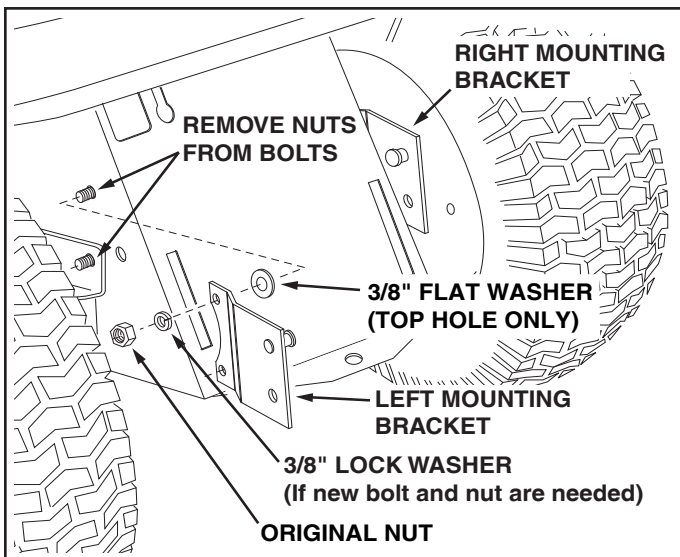


FIGURE 1B

STEP 1: (SEE FIGURE 2)

- Hook the Sleeve Hitch Frame assembly onto the weld pins. Attach the bottom of the assembly to the tractor hitch using a 5/8" x 1-3/4" hex bolt and a 5/8" nylock nut.

NOTE: If your tractor hitch has ridges that prevent the sleeve hitch assembly from resting flat, place the spacer plate underneath the sleeve hitch assembly.

STEP 2: (SEE FIGURE 2)

- Proceed to LIFT ASSEMBLY instructions on page 8.

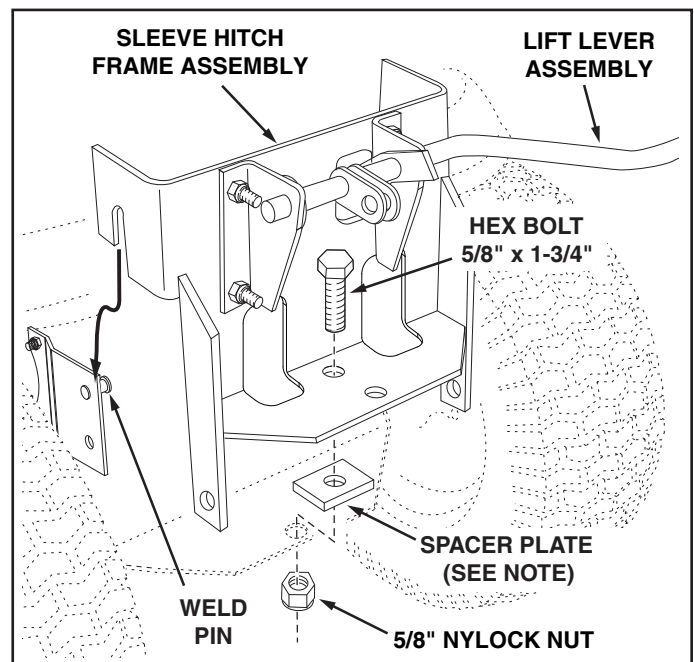


FIGURE 2

MOUNTING BRACKET ASSEMBLY

THIS ASSEMBLY IS FOR 247 TRACTOR MODELS ONLY.

STEP 1: (SEE FIGURE 1)

- Hook the Sleeve Hitch Frame assembly onto the shoulder bolts of the tractor frame. Attach the bottom of the assembly to the tractor hitch using a 5/8" x 1-3/4" hex bolt and a 5/8" nylock nut.

STEP 2: (SEE FIGURE 1)

- Proceed to LIFT ASSEMBLY instructions on page 8.

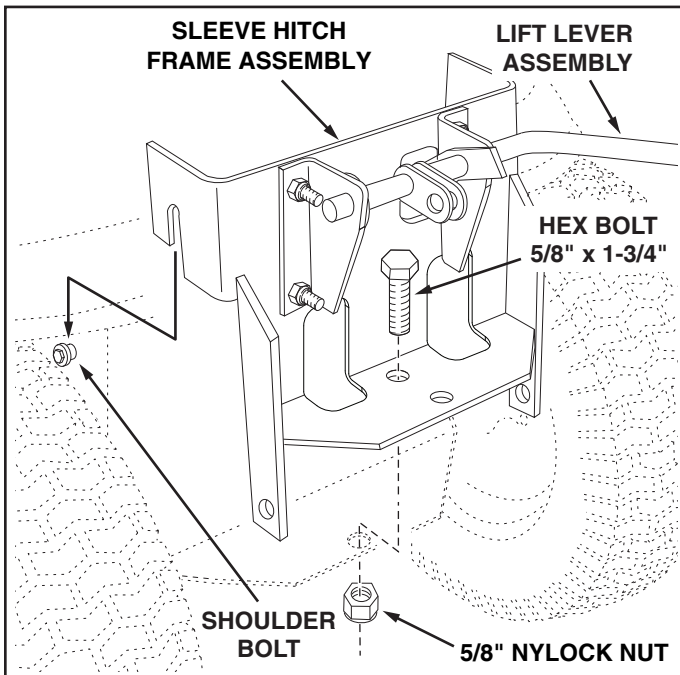


FIGURE 1

LIFT ASSEMBLY

STEP 1: (SEE FIGURE 1)

- Assemble the two 5/8" jam nuts halfway onto the two 5/8" x 2" hex bolts. Screw the bolts into the nuts that are welded to the Sleeve Hitch Lift Assembly. Tighten the jam nuts against the welded nuts.
- Assemble the Lifting Link to the Sleeve Hitch Lift Assembly using a 5/8" x 1-3/4" hex bolt and a 5/8" nylock nut. Use the bottom hole in the Lifting Link (gives the lowest implement depth setting). Tighten the nut only until snug. Do not squeeze welded arms together.

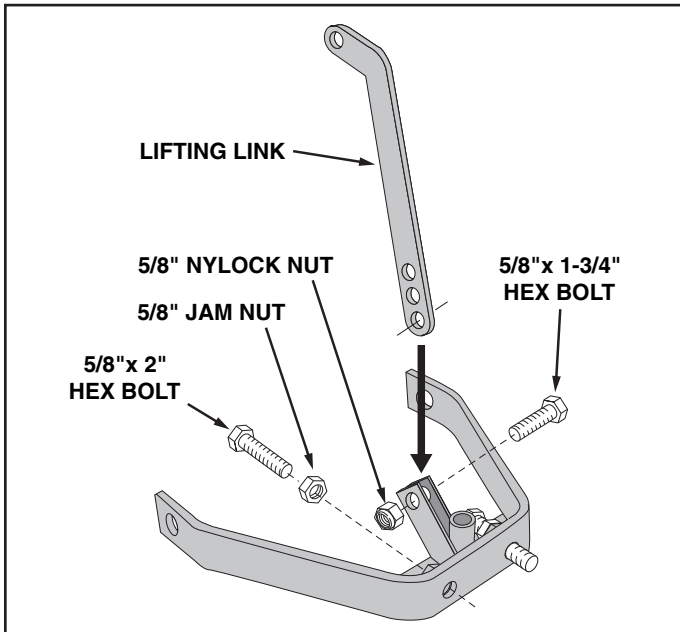


FIGURE 1

STEP 2: (SEE FIGURE 2)

- Attach the Sleeve Hitch Lift Assembly to the Sleeve Hitch Frame Assembly using three 5/8" x 1-3/4" clevis pins and 3/32" hair cotter pins.
- Install the Hitch Pin in the sleeve hitch and secure it with the 5/32" hair cotter pin.

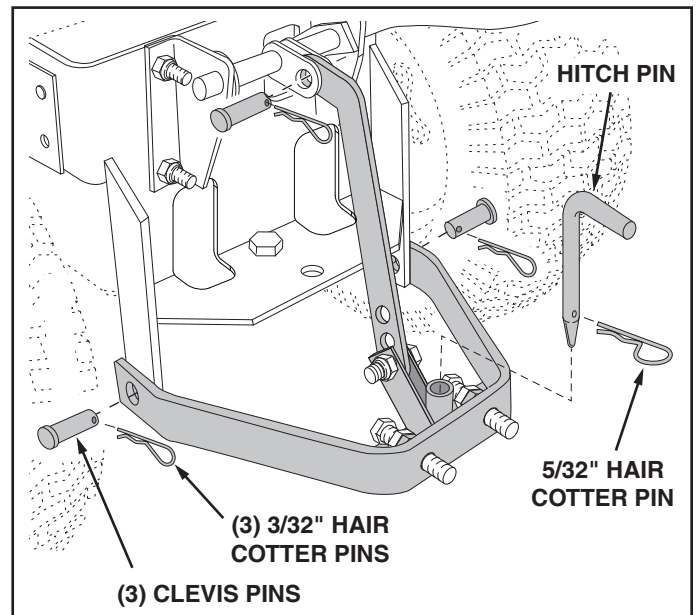


FIGURE 2

NOTES

OPERATION

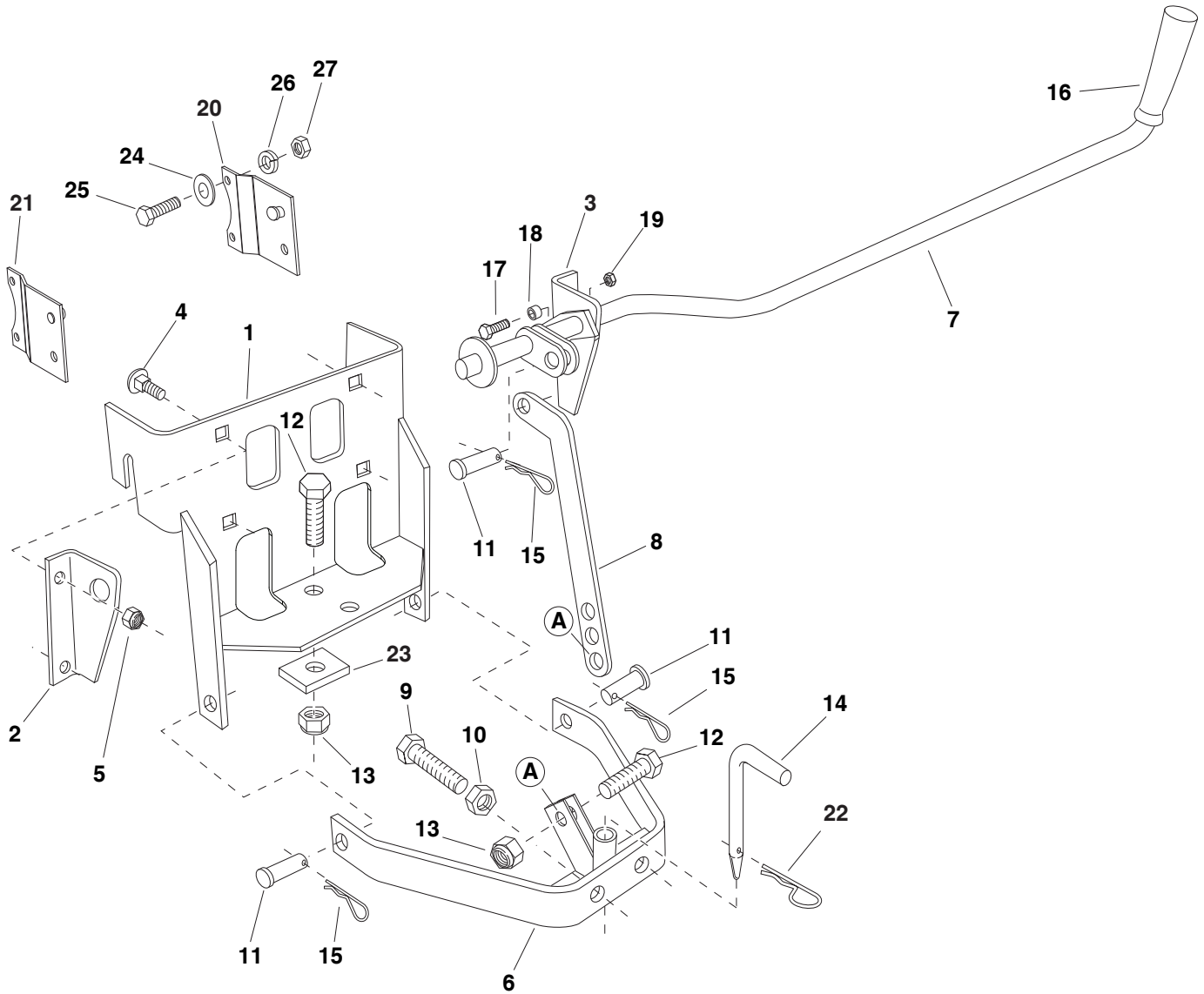
- Move the lift lever backward to lower the sleeve hitch.
 - Attach an implement using the sleeve hitch pin. Tighten the 5/8" x 2" stabilizer bolts against the implement hitch and then tighten the jam nuts. See Figure 5 on Page 5.
- IMPORTANT:** Some implements may require that the stabilizer bolts not be tightened. Refer to your implement owner's manual.
- The sleeve hitch is assembled in the lowest position by following the assembly instructions. If the implement attached to the sleeve hitch is not level front to back during operation, move the hex bolt to a different hole in the lifting link (3 holes available) that gives better leveling.
 - To tow an implement that has a tow hitch, simply remove three clevis pins and then remove the Sleeve Hitch Lift Assembly from the Sleeve Hitch Frame Assembly.
 - To remove the entire Sleeve Hitch attachment, remove the 5/8" x 1-3/4" hex bolt and 5/8" nylock nut which fasten the bottom of the sleeve hitch to the tractor hitch, then lift the attachment off the tractor.

MAINTENANCE

- Clean off after each use.
- Oil pivot points as needed.
- Store in a dry location.

PARTS

REPAIR PARTS FOR MODEL 486.24586 SLEEVE HITCH



REF	PART NO.	QTY	DESCRIPTION	REF	PART NO.	QTY	DESCRIPTION
1	67054	1	Sleeve Hitch Frame	15	43343	3	Pin, Hair Cotter 3/32"
2	25715	1	Pivot Bracket, Left	16	46471	1	Grip, Plastic
3	25714	1	Pivot Bracket, Right	17	43063	1	Bolt, 5/16-18 x 1"
4	43350	4	Bolt, Carriage 3/8-16 x 1"	18	23625	1	Spacer
5	HA21362	4	Hex Lock Nut, 3/8-16	19	47810	1	Nylock Nut, 5/16"
6	65404	1	Sleeve Hitch Lift Assembly	20	65370	1	Mounting Bracket, Right
7	64625	1	Lift Lever Assembly	21	65369	1	Mounting Bracket, Left
8	24732	1	Lifting Link Plate	22	714-0117	1	Pin, Hair Cotter, 5/32"
9	47947	2	Bolt, Hex 5/8-11 x 2"	23	25685	1	Spacer Plate
10	712-0242	2	Hex Jam Nut, 5/8-11	24	43070	2	Flat Washer
11	HA3980	3	Clevis Pin, 5/8" x 1-3/4"	25	43087	4	Bolt, Hex 3/8-16 x 1-1/4"
12	47951	2	Bolt, Hex 5/8-11 x 1-3/4"	26	43003	4	Lock Washer, 3/8"
13	712-0261	2	Nylock Nut, 5/8-11	27	43015	4	Hex Nut, 3/8-16
14	47950	1	Pin, Sleeve Hitch		41362	1	Owner's Manual

Get it fixed, at your home or ours!

Your Home

For expert troubleshooting and home solutions advice:

manage my home

www.managemyhome.com

For repair – **in your home** – of **all** major brand appliances, lawn and garden equipment, or heating and cooling systems, **no matter who made it, no matter who sold it!**

For the replacement parts, accessories and owner's manuals that you need to do-it-yourself.

For Sears professional installation of home appliances and items like garage door openers and water heaters.

1-800-4-MY-HOME® (1-800-469-4663)

Call anytime, day or night (U.S.A. and Canada)

www.sears.com www.sears.ca

Our Home

For repair of carry-in items like vacuums, lawn equipment, and electronics, call anytime for the location of your nearest

Sears Parts & Repair Service Center

1-800-488-1222 (U.S.A.) **1-800-469-4663** (Canada)

www.sears.com www.sears.ca

To purchase a protection agreement on a product serviced by Sears:

1-800-827-6655 (U.S.A.) **1-800-361-6665** (Canada)

Para pedir servicio de reparación a domicilio, y para ordenar piezas:

1-888-SU-HOGAR®

(1-888-784-6427)

Au Canada pour service en français:

1-800-LE-FOYER^{MC}

(1-800-533-6937)

www.sears.ca



® Registered Trademark / ™ Trademark / ™ Service Mark of Sears Brands, LLC

® Marca Registrada / ™ Marca de Fábrica / ™ Marca de Servicio de Sears Brands, LLC

^{MC} Marque de commerce / ^{MD} Marque déposée de Sears Brands, LLC

© Sears Brands, LLC

Free Manuals Download Website

<http://myh66.com>

<http://usermanuals.us>

<http://www.somanuals.com>

<http://www.4manuals.cc>

<http://www.manual-lib.com>

<http://www.404manual.com>

<http://www.luxmanual.com>

<http://aubethermostatmanual.com>

Golf course search by state

<http://golfingnear.com>

Email search by domain

<http://emailbydomain.com>

Auto manuals search

<http://auto.somanuals.com>

TV manuals search

<http://tv.somanuals.com>