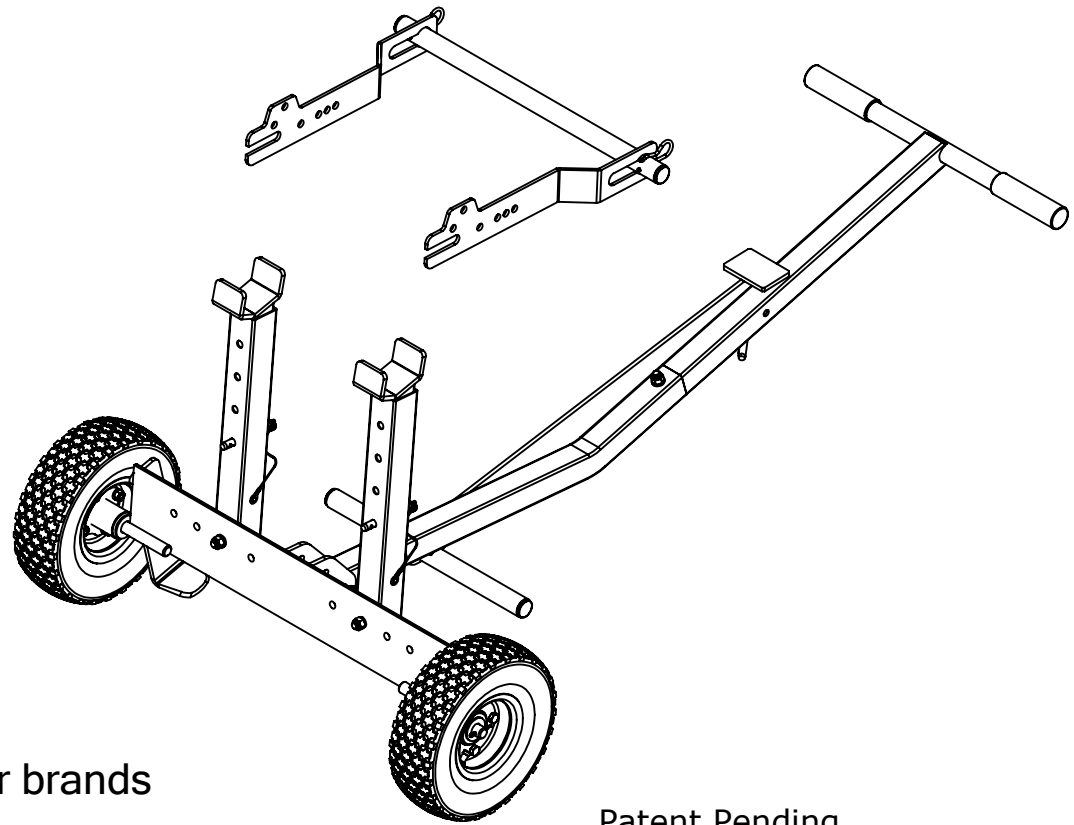


# CRAFTSMAN®

## TRACTOR LIFT

Model Number 610.24600

- Provides access to mower deck for easy cleaning and service
- Fits all 1985 through current models of CRAFTSMAN front engine tractors and Zero Turn Mowers
- Can be fitted to most major front engine tractor brands
- Adjustable arms for greater versatility
- Extra heavy duty gauge steel construction
- If you read and follow these instructions, this product can be assembled in approximately 20 minutes
- Assemble unit on cardboard to avoid scratches or damage to parts
- Can easily be assembled by one person
- All fasteners for this Tractor Lift can be purchased at Sears or any hardware store



Patent Pending



- If there are any missing parts, or if you have any questions on assembly, operation, maintenance or safety, please call

1-800-652-6231

Sears, Roebuck and Co., Hoffman Estates, IL 60179 U.S.A.

Visit our Craftsman website: [www.sears.com/craftsman](http://www.sears.com/craftsman)

610.24600-REV B 3/08

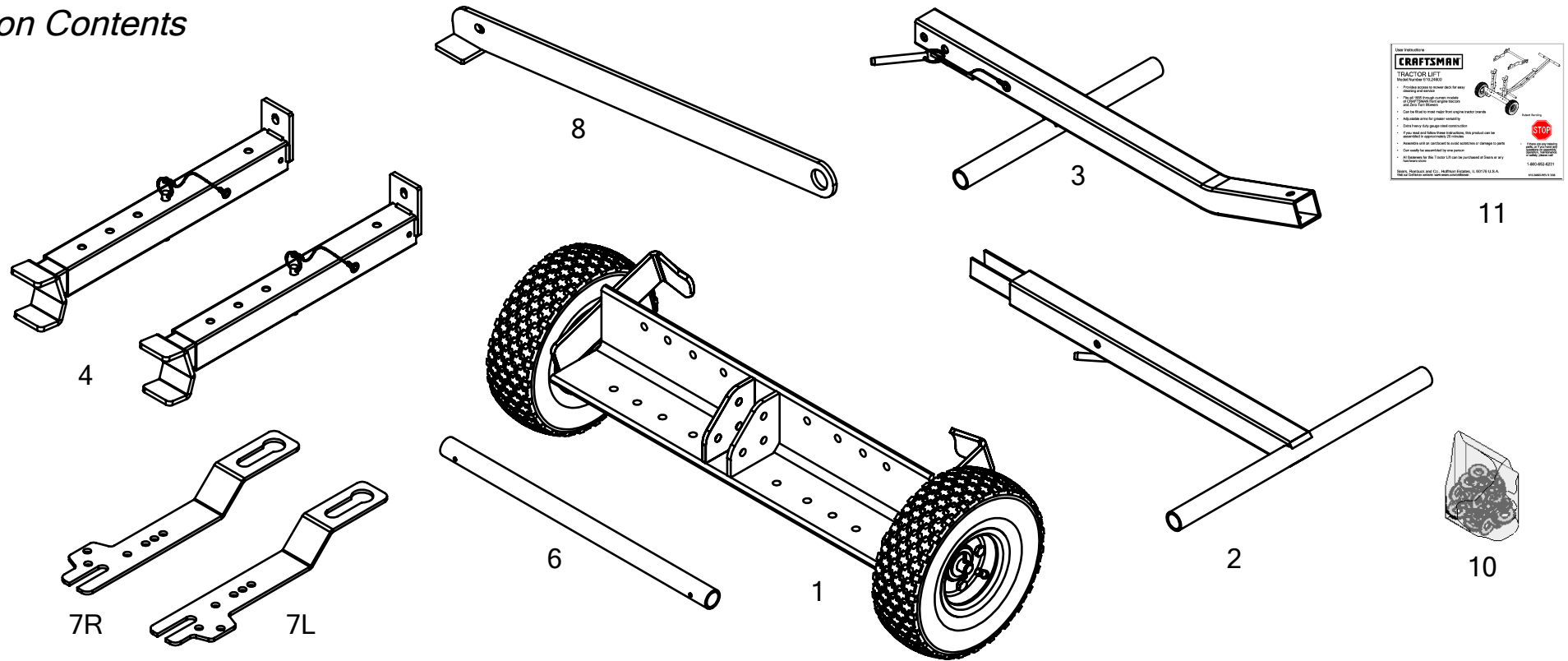
## WARNINGS

- Always use the stabilizer bar provided when using tractor lift. Make sure stabilizer bar is properly in place before starting any work on tractor.
- Read and understand all safety and operating instructions before using the tractor lift. Never allow anyone unfamiliar with these instructions to use the tractor lift.
- Read and understand all safety and operating instructions provided by the tractor's manufacturer before using tractor lift.
- Never lay under the tractor or mowing deck.
- When using lift, keep all bystanders, including children, away.
- This tractor lift must be only used for lifting and lowering to and from a level and stable surface.
- Never use in wet conditions.
- Do not attempt to lift the front and back of the tractor at the same time.
- Do not use tractor lift as an automotive lift, or for any other use for which it is not intended or designed.
- If tractor lift is bowing while lifting or lowering your tractor, which indicates an overload condition, remove the tractor immediately.
- Do not attempt to lift or lower any power equipment while motor is running.
- Never engage blades while using tractor lift.
- Always disconnect spark plug wire from tractor before beginning any work on tractor.
- Do not exceed the rated capacity of the tractor lift - 270#.
- Failure to follow these warnings may result in property damage and/or serious bodily injury.

## SAFETY INSTRUCTIONS

- Be sure to read and follow all safety instructions and warnings. Failure to follow these instructions may result in damage to the product and/or serious personal injury.
- Danger of serious personal injury exists. Serious personal injury can occur when using a lifting device.
- Never attempt to ride any vehicle up or down the tractor lift.
- Do not climb onto tractor while tractor is in the elevated position.
- When working on the front of the tractor always place wheel chocks in back of the rear wheels/tires.
- Always raise and lower tractor lift in a controlled fashion; do not allow the tractor to drop too quickly, damage could occur.
- Make sure lifting arms are aligned and set to the proper distance apart so that the equipment being loaded is well balanced on the lift.
- Do not remove warning decals from product.
- Before each use, always check for any worn, loose, or damaged parts on the tractor lift. If any damage is present, DO NOT USE THE TRACTOR LIFT.
- Periodically check the fasteners to make sure they are still tight and in place.
- Keep lift surface clean by occasionally cleaning with water and any mild detergent.
- Do not add to or try to modify the tractor lift in any way. Any modifications will void any warranties.
- Failure to abide by the warnings and read the safety instructions may result in loss of load, damage to lift and/or property, serious personal and/or fatal injury.

# Carton Contents



REF NO	QTY	PART NUMBER	DESCRIPTION	REF NO	QTY	PART NUMBER	DESCRIPTION
1	1	51001	Angle Frame Assembly	7L	1	410131	Tractor Mounting Bar - Left
2	1	51002	Handle Top	7R	1	410132	Tractor Mounting Bar - Right
3	1	51003	Handle Bottom	8	1	51006	Stabilizer Bar
4	2	41009	Lift Tube Assembly	10	1	310031	Hardware Bag
6	1	51005	Lift Cross Tube	11	1	310041	Assembly Manual

## OPERATION

Tractor Lift can be used out of the box on all Craftsman tractors with bumpers or brush guards. Tractor Lift mounting hardware is provided if your tractor does not have a bumper or brush guard.

## TOOLS REQUIRED FOR ASSEMBLY

9/16" Wrench and/or Socket  
Adjustable wrench

## MAINTENANCE

Store unit in a clean dry place.

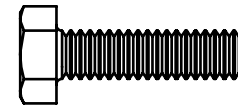
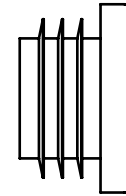
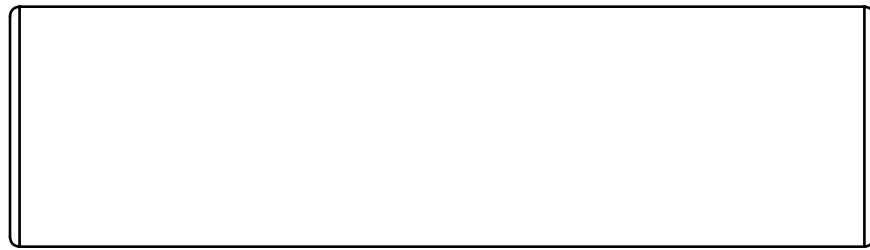
Recommended tire pressure - 30 PSI.

Before each use:

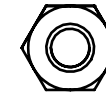
- Always check tire pressure.
- Always inspect unit for damage.
- Always check fasteners for tightness.

FOR MISSING PARTS, Call 1-800-652-2321, Monday - Friday, 8 a.m. - 5 p.m. E.S.T.

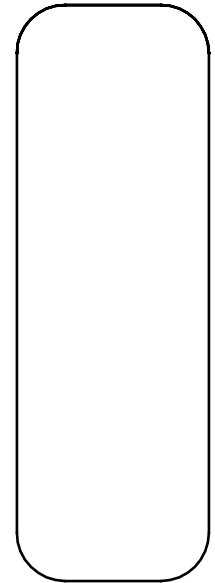
# Hardware Contents



34



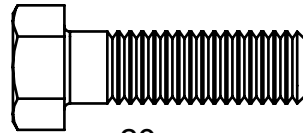
35



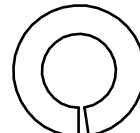
39

38

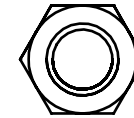
37



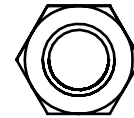
29



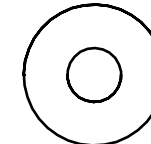
23



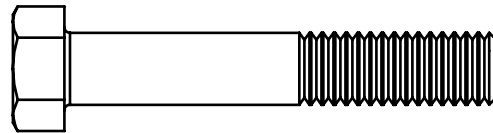
27



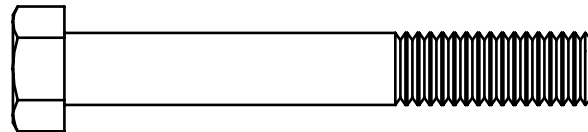
25



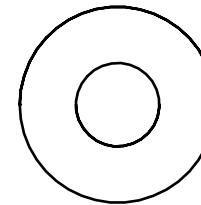
36



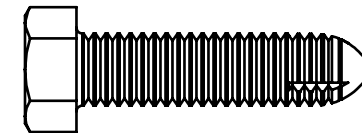
33



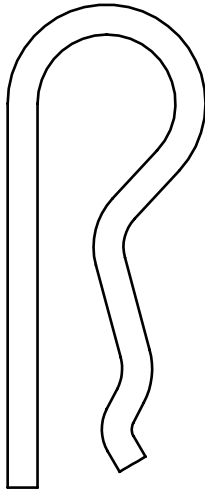
22



24



28



26

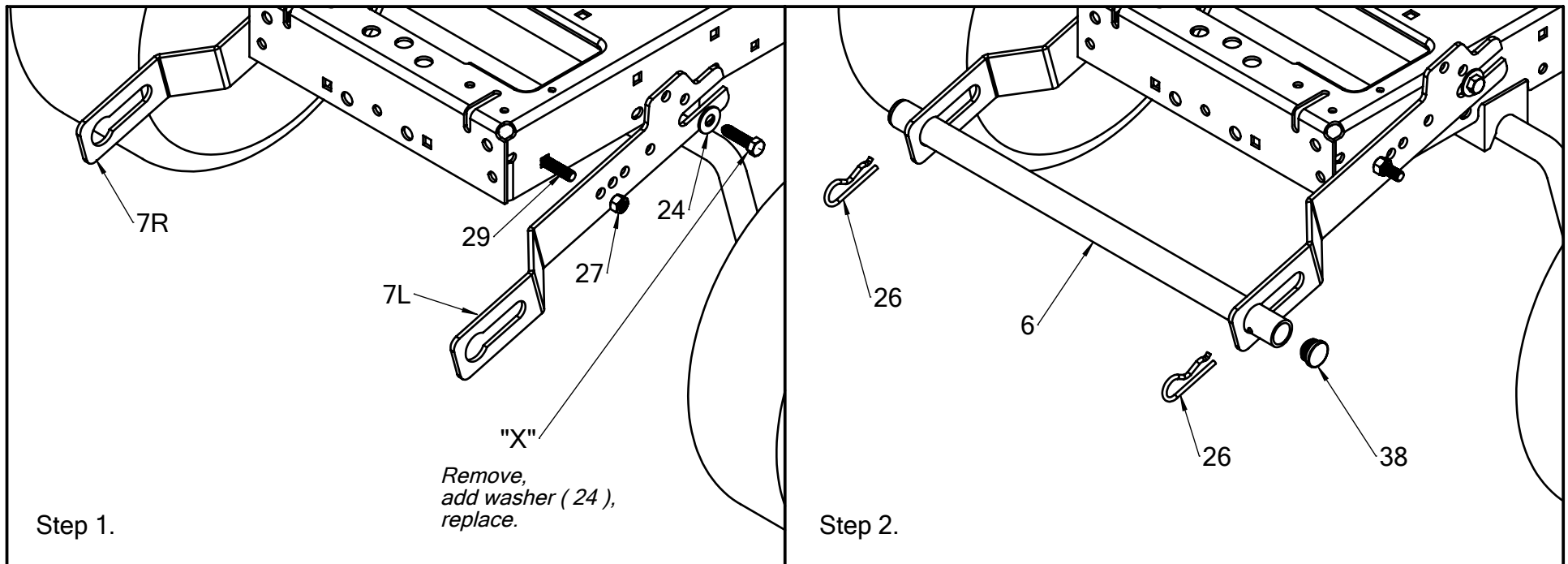
REF NO	QTY	PART NUMBER	DESCRIPTION	REF NO	QTY	PART NUMBER	DESCRIPTION
22	3	310051	3/8"-16 x 2-3/4" Hex Bolt	29	6	310055	3/8"-16 x 1-1/4" Hex Bolt
23	6	310072	3/8" Split Lock Washer	33	1	310053	3/8"-16 x 2-1/4" Hex Bolt
24	8	310073	3/8" USS Flat Washer	34	4	310052	1/4"-20 x 1" Hex Bolt
25	6	310062	3/8"-16 Hex Nut	35	4	310065	1/4"-20 Nylok Hex Nut
26	2	300082	Hair Pin Cotter .148 Dia.	36	4	310075	1/4" USS Flat Washer
27	4	310061	3/8"-16 Nylok Hex Nut	37	2	310182	Vinyl Handle Grip
28	2	310054	3/8"-16 x 1-1/2" Self-thread Bolt	38	4	310221	Tube Plug RT8-1
				39	1	31026	Scuff Pad

FOR MISSING PARTS, Call 1-800-652-2321, Monday - Friday, 8 a.m. - 5 p.m. E.S.T.

## Setting up Lift Mounting Hardware - Tractor Front

Tractor Lift can be used out of the box on all Craftsman tractors with bumpers or brush guards. Tractor Lift mounting hardware is provided. If your tractor does not have a bumper or brush guard, follow the steps below:

*Note: Left and Right sides are determined by standing behind tractor looking forward.*



### Step 1.

- Remove existing bolt "X" and set aside. If tractor does not have this bolt use supplied 3/8" x 1-1/4" bolt with 3/8 nylok nut.
- Align holes in tractor mounting bars ( 7R & 7L ) to the front left & right side frame holes of the tractor.
- Insert hex head bolt ( 29 ) through inside front hole of frame, through tractor mounting bar and secure with nylock nut ( 27 ).
- Add flat washer ( 24 ) under head of bolt removed in earlier step and reinsert through tractor mounting bar and tighten.
- For LT1000 & LT2000 series tractors, use self-thread bolts ( 28 ) in place of bolt ( 29 ) and nut ( 27 ).

### Step 2.

- Push tube plugs ( 38 ) into each end of lift tube ( 6 ).
- Slide lift tube through cut-out in tractor mounting bars and center.
- Pin lift tube in place with one hair pin cotter ( 26 ) on each side of mounting bar.

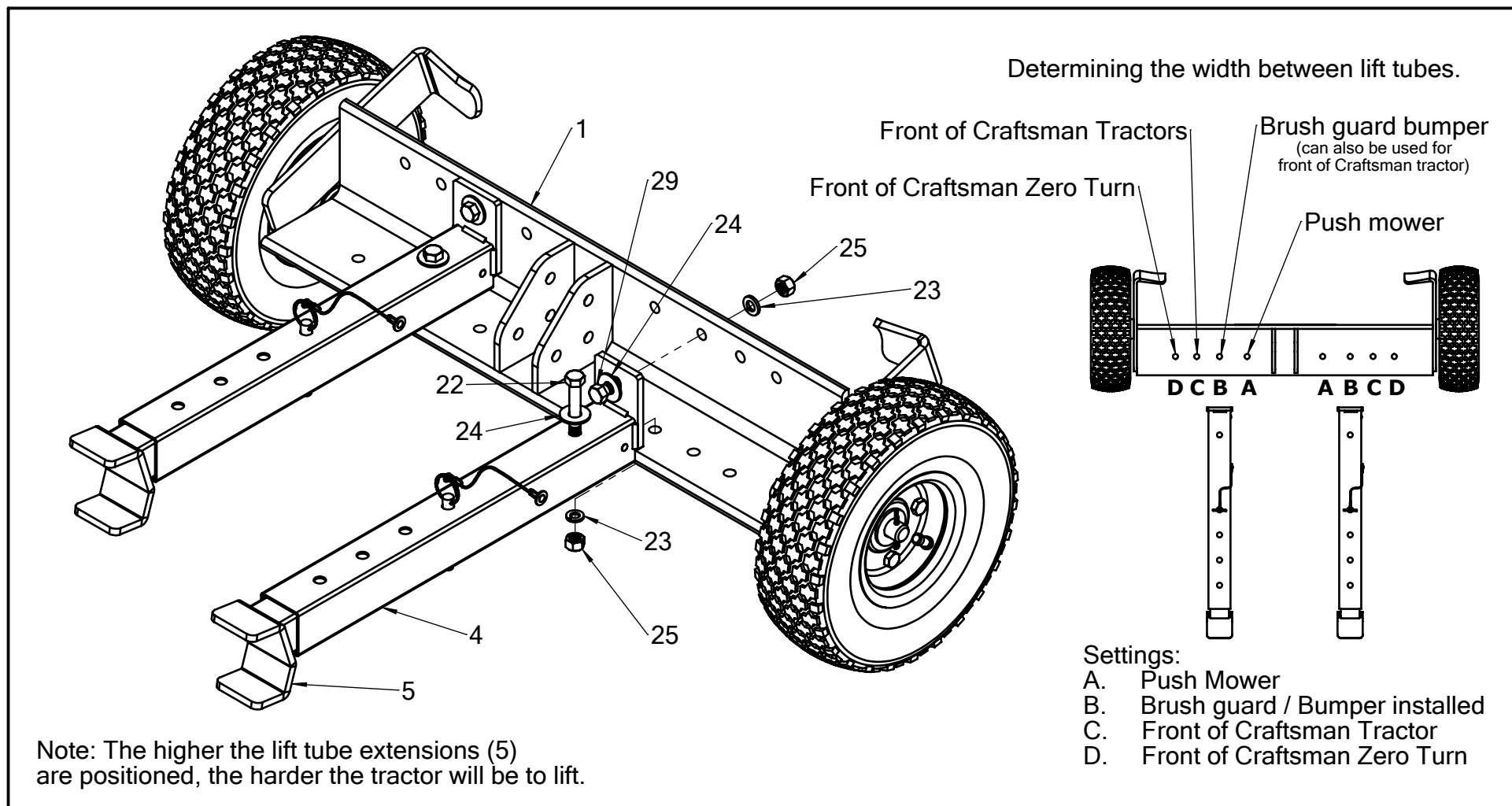
Note: The mounting bars have been manufactured to attach to the frames of most major front engine tractor brands. Additional hardware has been included for attachment to non-Craftsman brands.

# Assemble Tractor Lift

## Attach Lift Tubes to Angle Frame

- Lift tubes come pre-assembled. Attach lift tube assemblies ( 4 ) to angle frame ( 1 ) using bolts ( 22 ), flat washers ( 24 ), split lock washers ( 23 ) and hex nuts ( 25 ).
- Secure rear of lift tube assembly ( 4 ) to angle frame ( 1 ) using bolts ( 29 ), flat washers ( 24 ), split lock washers ( 23 ) and hex nuts ( 25 ).

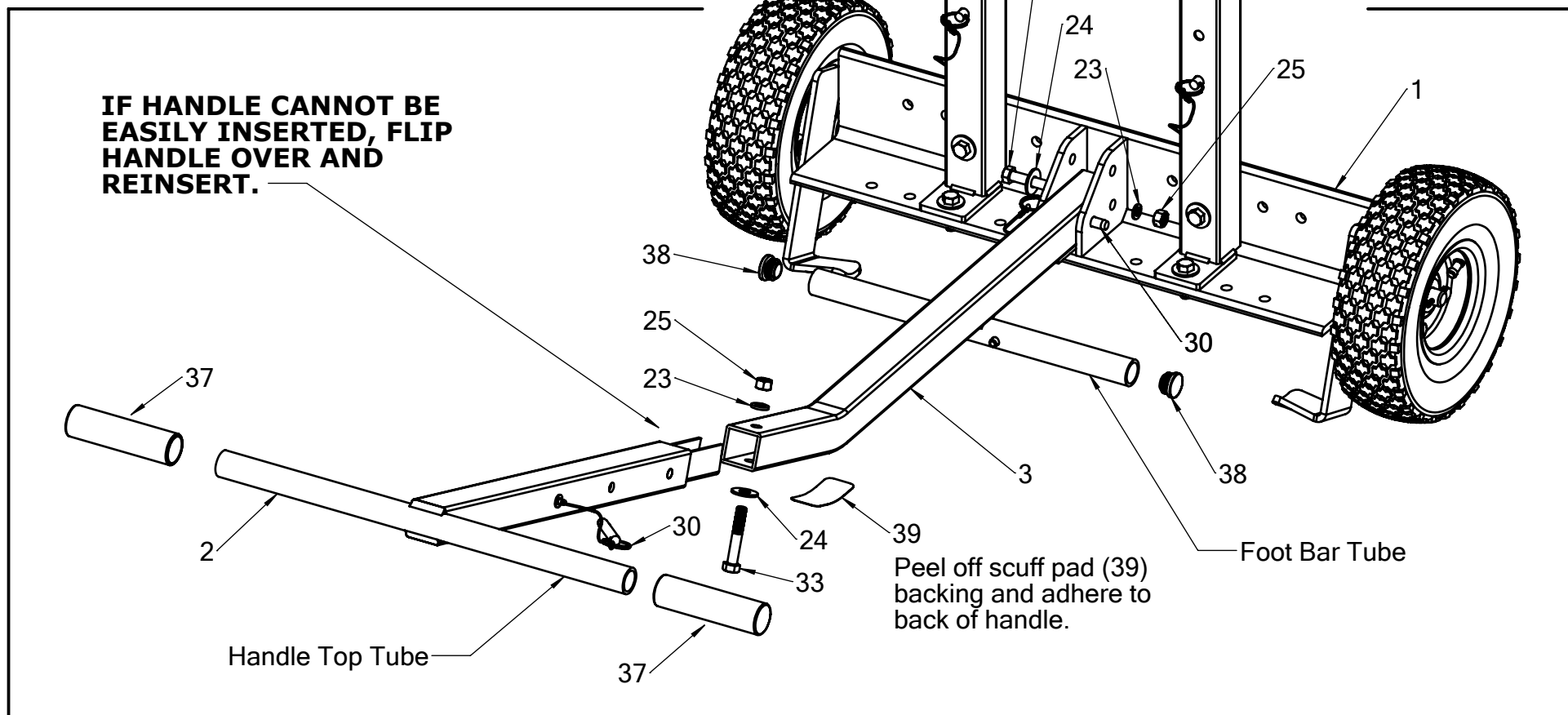
Note: Over-tightening receiver bolts ( 22 ) could cause damage to lift tubes ( 4 ).



# Assemble Tractor Lift

## Attach Handle to Angle Frame

- Step 1. Attach handle bottom ( 3 ) to angle frame ( 1 ) using hex bolt ( 22 ), flat washer ( 24 ), split lock washer ( 23 ) and hex nut ( 25 ).
- Step 2. Insert ring grip pin ( 30 ), as shown.
- Step 3. Insert handle top ( 2 ) into handle bottom ( 3 ). Secure with hex bolt ( 33 ), flat washer ( 24 ), split lock washer ( 23 ) and hex nut ( 25 ).
- Step 4. Place handle grips ( 37 ) onto handle top tube ( 2 ). A little soapy water will help grip slide onto tube easily.



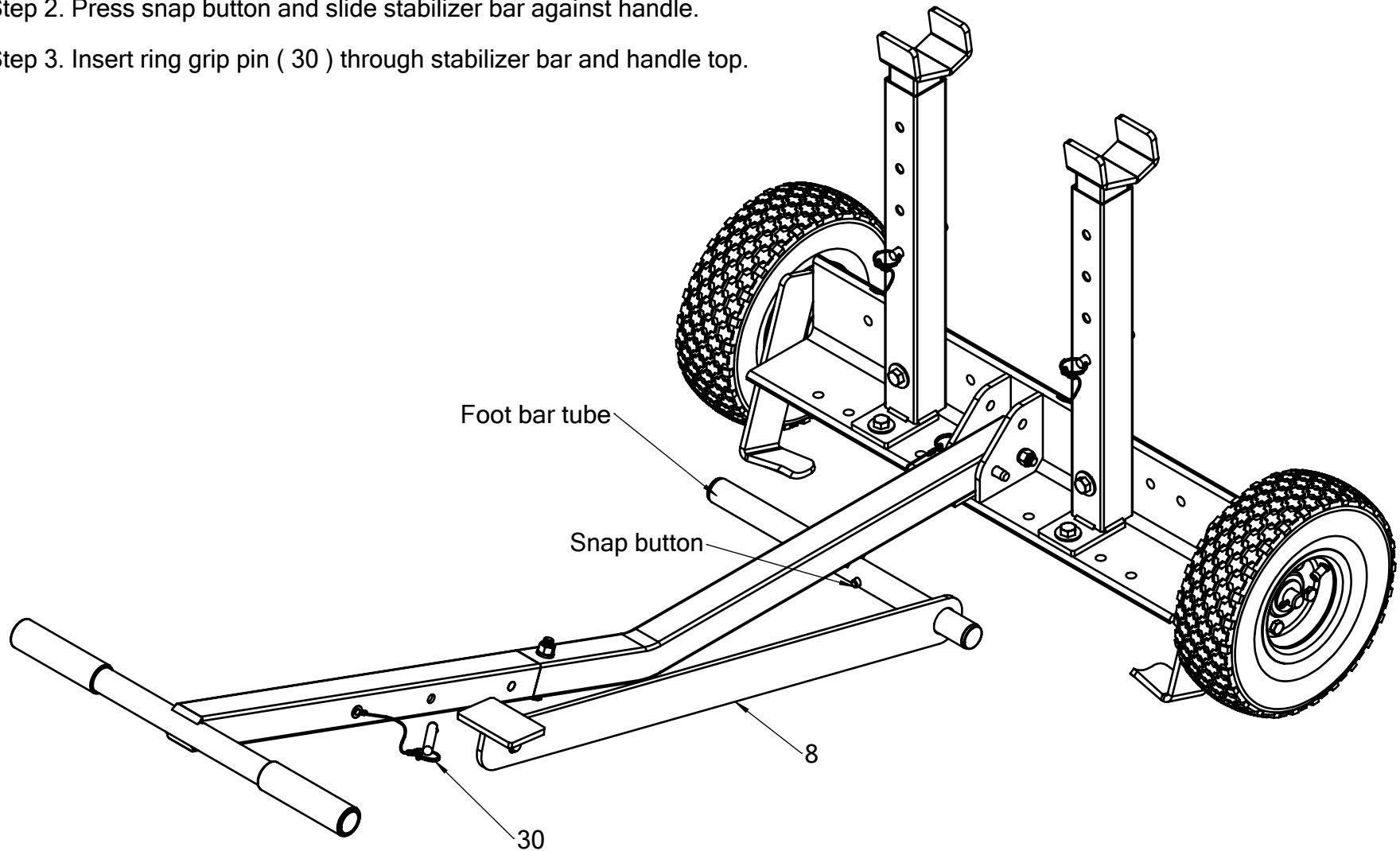
# Assemble Tractor Lift

## Attach Stabilizer Bar

Step 1. Slide stabilizer bar ( 8 ) onto foot bar tube as shown.

Step 2. Press snap button and slide stabilizer bar against handle.

Step 3. Insert ring grip pin ( 30 ) through stabilizer bar and handle top.





# OPERATION

## Using the Tractor Lift



### Step 1. Engage Tractor Lift

- Center Tractor Lift in front of tractor.
- Ensure that claws at ends of lift tubes are securely hooked under the lift cross tube attached to tractor (Figure 1) or to the tractor bumper/brush guard (Figure 2.)

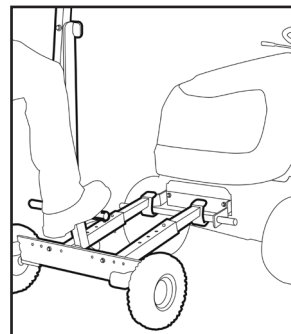


Figure 1.  
Properly engaging tractor  
with mounted lift cross tube.

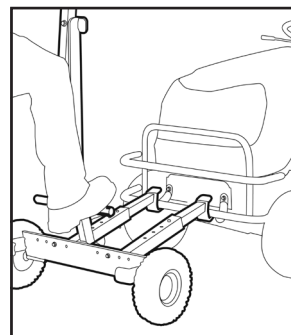


Figure 2.  
Properly engaging tractor  
with tractor bumper/brush guard.



### Step 2. Lift Tractor

- Place foot onto foot bar tube and apply continuous forward pressure with foot while pulling down on tractor lift handle.
- Once lifted, the weight of tractor will automatically force handle down into correct position.



**IMPORTANT:** Stabilizer bar **MUST** be engaged immediately after raising the tractor. See Step 3 on next page for instructions.



# OPERATION

## Using the Tractor Lift

### Step 3. Engaging Stabilizer Bar

Stabilizer bar **MUST** be engaged immediately after raising the tractor.

**WARNING:** Failure to engage stabilizer bar may result in serious personal injury and or property damage.

- Remove ring grip pin ( 30 ) from tube handle. Press snap button and slide stabilizer bar ( 8 ) from foot bar tube.
- Turn stabilizer bar 180 degrees as shown at bottom of Figure 1.
- Position stabilizer bar under base of unit between wheels.
- Slide stabilizer bar back onto foot bar tube making sure the bar is positioned back over snap button.

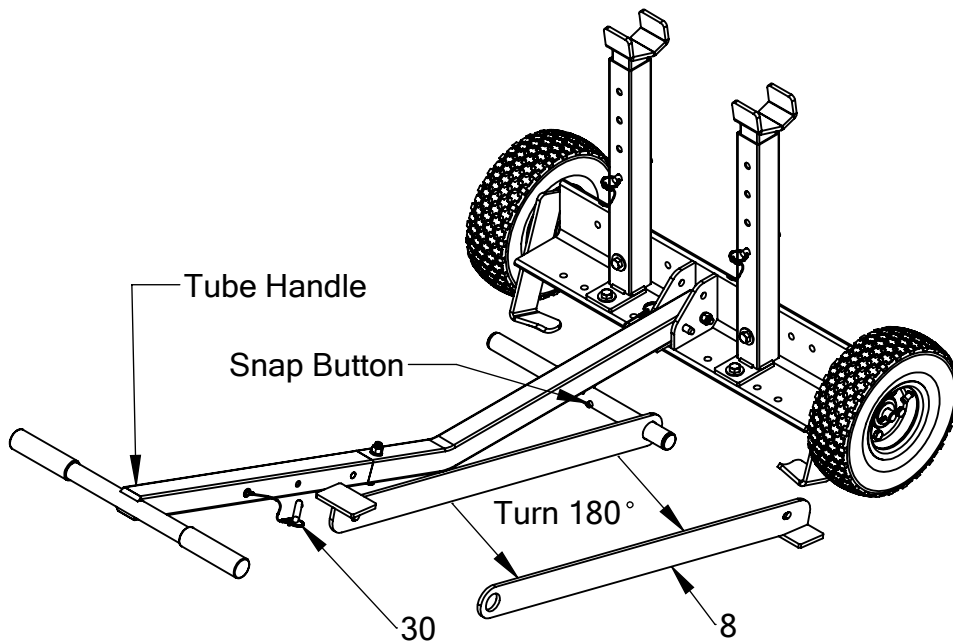


Figure 1

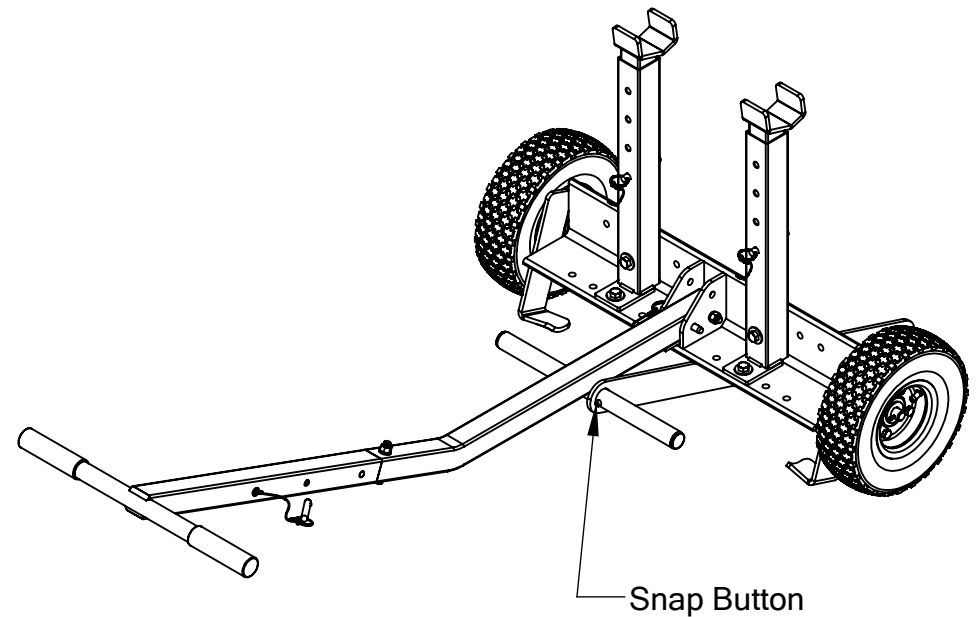
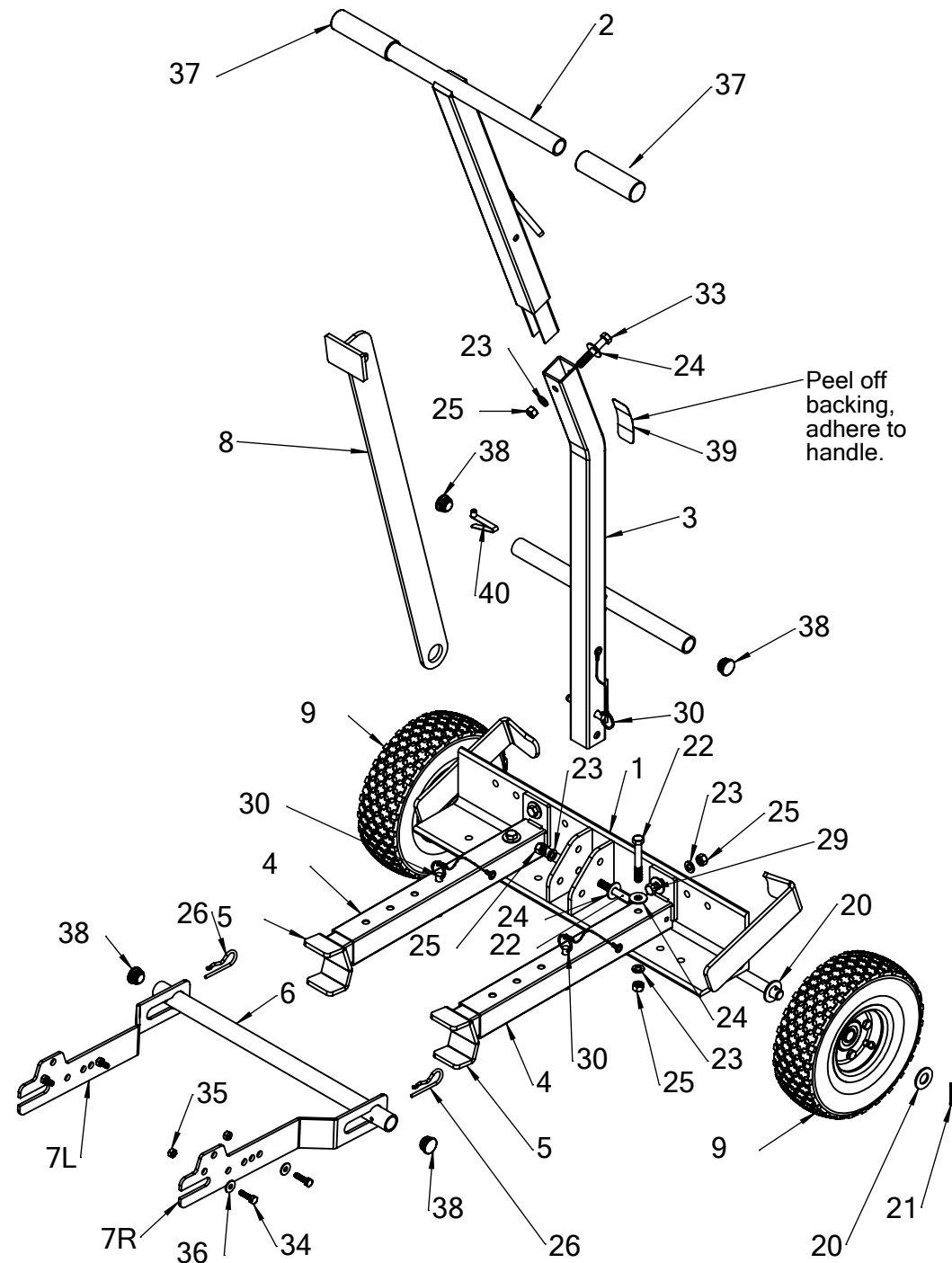


Figure 2

# Repair Parts List

MODEL NUMBER - 610.24600

REF. NO.	PART NO.	AMT.	DESCRIPTION
1	51001	1	Body Angle
2	51002	1	Handle Top
3	51003	1	Handle Bottom
4	41009	2	Lift Tube Assembly
5	51004	2	Lift Tube Extension
6	51005	1	Lift Cross Tube
7L	410131	1	Tractor Mounting Bar - Left
7R	410132	1	Tractor Mounting Bar - Right
8	51006	1	Stabilizer Bar
9	310011	2	Tire 4.10/3.50-4
10	310031	1	Hardware Bag
11	310041	1	Assembly Manual
20	310071	4	5/8" SAE Flat Washer
21	300081	2	Cotter Pin 1/8" x 1-1/2"
22	310051	3	3/8"-16 x 2-3/4" Hex Bolt
23	310072	6	3/8" Split Lock Washer
24	310073	8	3/8" USS Flat Washer
25	310062	6	3/8"-16 Hex Nut
26	300082	2	Hair Pin Cotter .148
27	310061	4	3/8"-16 Nylok Hex Nut
28	310054	2	3/8"-16 x 1-1/2" Self-thread Bolt
29	310055	6	3/8"-16 x 1-1/4" Hex Bolt
30	310081	4	3/8" x 2-1/8" Ring Grip Pin
33	310053	1	3/8"-16 x 2-1/4" Hex Bolt
34	310052	4	1/4"-20 x 1" Hex Bolt
35	310065	4	1/4"-20 Nylock Hex Nut
36	310075	4	1/4" USS Flat Washer
37	310182	2	Handle Grip
38	310221	4	Tube Plug RT8-1
39	31026	1	Handle Scuff Pad
40	31019	1	Valco Snap Button



FOR MISSING PARTS, Call 1-800-652-2321, Monday - Friday, 8 a.m. - 5 p.m. E.S.T.

## PRODUCT RECORD

In the space below record the model number and purchase date of your cart. The model number can be found on the front cover of the user guide.

Model Number \_\_\_\_\_.

Purchase Date \_\_\_\_\_.

Keep this booklet and your Sears receipt in a safe place for future reference.

## ORDERING INFORMATION

After the one year warranty period all parts may be ordered by calling Sears Service at 1-800-4MY-HOME (1-800-469-4663).

When ordering repair parts, always give the following information:

- Product - \_\_\_\_\_.
- Model Number - \_\_\_\_\_.
- Part Number - \* \_\_\_\_\_.
- Part Description - \* \_\_\_\_\_.

\*Found on the repair part list. Reference page 11.

## NOTES

# Get it fixed, at your home or ours!

## Your Home

For expert troubleshooting and home solutions advice:

**manage my home**

[www.managemyhome.com](http://www.managemyhome.com)

---

For repair – **in your home** – of **all** major brand appliances, lawn and garden equipment, or heating and cooling systems, **no matter who made it, no matter who sold it!**

For the replacement parts, accessories and owner's manuals that you need to do-it-yourself.

For Sears professional installation of home appliances and items like garage door openers and water heaters.

**1-800-4-MY-HOME<sup>®</sup>** (1-800-469-4663)

Call anytime, day or night (U.S.A. and Canada)

[www.sears.com](http://www.sears.com)    [www.sears.ca](http://www.sears.ca)

---

## Our Home

For repair of carry-in items like vacuums, lawn equipment, and electronics, call anytime for the location of your nearest

**Sears Parts & Repair Service Center**

**1-800-488-1222** (U.S.A.)

[www.sears.com](http://www.sears.com)

**1-800-469-4663** (Canada)

[www.sears.ca](http://www.sears.ca)

---

To purchase a protection agreement on a product serviced by Sears:

**1-800-827-6655** (U.S.A.)

**1-800-361-6665** (Canada)

---

Para pedir servicio de reparación a domicilio, y para ordenar piezas:

**1-888-SU-HOGAR<sup>®</sup>**

(1-888-784-6427)

Au Canada pour service en français:

**1-800-LE-FOYER<sup>MC</sup>**

(1-800-533-6937)

[www.sears.ca](http://www.sears.ca)



© Registered Trademark / <sup>TM</sup> Trademark / <sup>SM</sup> Service Mark of Sears Brands, LLC

© Marca Registrada / <sup>TM</sup> Marca de Fábrica / <sup>SM</sup> Marca de Servicio de Sears Brands, LLC

<sup>MC</sup> Marque de commerce / <sup>MD</sup> Marque déposée de Sears Brands, LLC

© Sears Brands, LLC

## Free Manuals Download Website

<http://myh66.com>

<http://usermanuals.us>

<http://www.somanuals.com>

<http://www.4manuals.cc>

<http://www.manual-lib.com>

<http://www.404manual.com>

<http://www.luxmanual.com>

<http://aubethermostatmanual.com>

Golf course search by state

<http://golfingnear.com>

Email search by domain

<http://emailbydomain.com>

Auto manuals search

<http://auto.somanuals.com>

TV manuals search

<http://tv.somanuals.com>