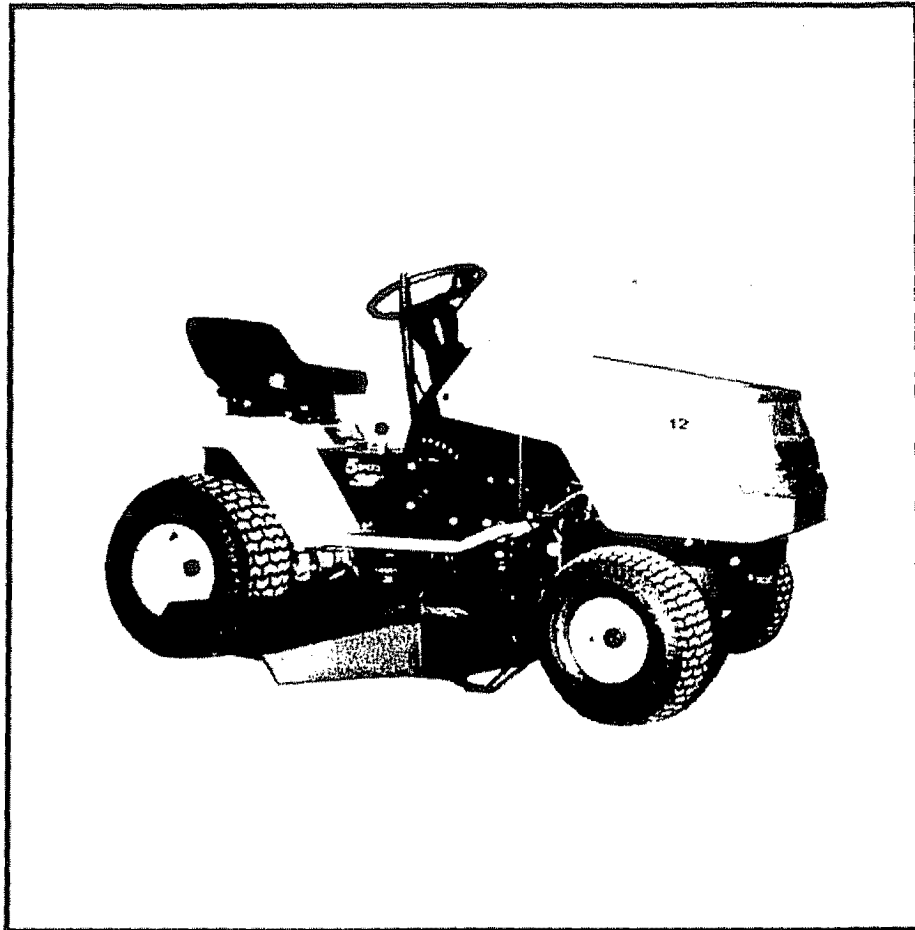


SEARS
OWNER'S
MANUAL

MODEL NO.
917.254611

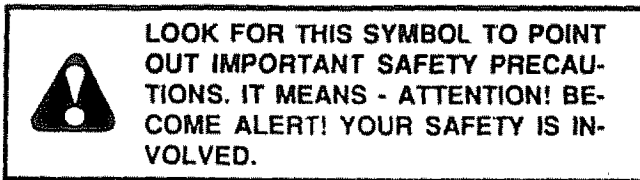
Caution:
Read and follow
all Safety Rules
and Instructions
Before Operating
This Equipment



CRAFTSMAN®
12 HP
ELECTRIC START
38" MOWER DECK
5 SPEED TRANSAXLE
LAWN TRACTOR

- Assembly
- Operation
- Maintenance
- Service and Adjustment
- Repair Parts

Sears, Roebuck and Co., Chicago, IL 60684 U.S.A.



CAUTION: LOOK FOR THIS WORD TO POINT OUT IMPORTANT EQUIPMENT PRECAUTIONS.

NOTE: LOOK FOR THIS WORD TO POINT OUT IMPORTANT INFORMATION ABOUT THE OPERATION AND PERFORMANCE OF YOUR TRACTOR.



RULES FOR SAFE OPERATION

WARNING: This unit is equipped with an internal combustion engine and should not be used on or near any unimproved forest covered, brush covered or grass covered land unless the engine's exhaust system is equipped with a spark arrester meeting applicable local or area laws (if any). If a spark arrester is used, it should be maintained in effective working order by the operator. (See REPAIR PARTS for part number identification).

In the State of California the above is required by law (Section 4442 of the California Public Resources Code) Other States may have similar laws. Federal laws apply on federal lands.

1. Know the controls and how to stop quickly. READ THIS OWNER'S MANUAL and instructions furnished with attachments.
2. Do not allow children to operate the machine. Do not allow adults to operate it without proper instruction.
3. Do not carry passengers. Do not mow when children and others are around.
4. Always wear substantial footwear. Do not wear loose fitting clothing that could get caught in moving parts.
5. Keep your eyes and mind on your tractor, mower, and the area being cut. Do not let other interests distract you.
6. Do not attempt to operate your tractor or mower when not in the driver's seat.
7. Always get on or off your tractor from the operator's left hand side.
8. Clear the work area of objects (wire, rocks, etc.) which might be picked up and thrown.
9. Disengage all attachment clutches before attempting to start the engine.
10. Disengage power to attachments and stop the engine before leaving the operator's position.
11. Disengage power to mower, stop the engine, and disconnect spark plug wire(s) from spark plug(s) before cleaning, making an adjustment, or repair. Be careful to avoid touching hot muffler or engine components.
12. Disengage power to attachments when transporting or not in use.
13. Take all possible precautions when leaving the vehicle unattended. Disengage the power take-off, lower the attachments, shift into neutral, set the parking brake, stop the engine, and remove the key.
14. Do not stop or start suddenly when going uphill or downhill. Mow up and down the face of slopes (not greater than 15°), never across the face. Refer to page 51.
15. Reduce speed on slopes and make turns gradually to prevent tipping or loss of control. Exercise extreme caution when changing direction on slopes.
16. While going up or down slopes, place gear shift control lever in 1st gear position to negotiate the slope without stopping.
17. Never mow in wet or slippery grass, when traction is unsure, or at a speed which could cause a skid.
18. Stay alert for holes in the terrain and other hidden hazards. Keep away from drop-offs.
19. Do not drive too close to creeks, ditches, and public highways.
20. Exercise special care when mowing around fixed objects in order to prevent the blades from striking them. Never deliberately run tractor or mower into or over any foreign objects.
21. Never shift gears until tractor comes to a stop.
22. Never place hands or feet under the mower, in discharge chute, or near any moving parts while tractor or mower is running. Always keep clear of discharge chute.
23. Use care when pulling loads or using heavy equipment.
 - a. Use only approved drawbar hitch points.
 - b. Limit loads to those you can safely control.
 - c. Do not turn sharply. Use care when backing.
 - d. Use counterweight or wheel weights when suggested in owner's manual.
24. Watch out for traffic when crossing or near roadways.
25. When using any attachments, never direct discharge of material toward bystanders nor allow anyone near the vehicle while in operation.
26. Handle gasoline with care - it is highly flammable.
 - a. Use approved gasoline containers.
 - b. Never remove the fuel cap of the fuel tank or add gasoline to a running or hot engine or an engine that has not been allowed to cool for several minutes after running. Never fill tank indoors. Always clean up spilled gasoline.
 - c. Open doors if the engine is run in the garage - exhaust fumes are dangerous. Do not run the engine indoors.
27. Keep the vehicle and attachments in good operating condition, and keep safety devices in place and working.
28. Keep all nuts, bolts, and screws tight to be sure the equipment is in safe working condition.
29. Never store the equipment with gasoline in the tank inside a building where fumes may reach an open flame or spark. Allow the engine to cool before storing in any enclosure.
30. To reduce fire hazard, keep the engine free of grass, leaves, or excessive grease. Do not clean product while engine is running.
31. Except for adjustments, DO NOT operate engine if air cleaner or cover directly over carburetor air intake is removed. Removal of such part could create a fire hazard.
32. Do not operate without a muffler, or tamper with exhaust system. Damaged mufflers or spark arresters could create a fire hazard. Inspect periodically and replace if necessary.
33. The vehicle and attachments should be stopped and inspected for damage after striking a foreign object, and the damage should be repaired before restarting and operating the equipment.
34. Do not change the engine governor settings or overspeed the engine; severe damage or injury may result.
35. When using the vehicle with mower, proceed as follows:
 - a. Mow only in daylight or in good artificial light.
 - b. Shut the engine off when unclogging chute.
 - c. Check the blade mounting bolts for proper tightness at frequent intervals.
36. Do not operate the mower without the entire grass catcher, on mowers so equipped, or the deflector shield in place.
37. Disengage power to mower before backing up. Do not mow in reverse unless absolutely necessary and then only after careful observation of the entire area behind the mower.
38. Under normal usage the grass catcher bag material is subject to deterioration and wear. It should be checked frequently for bag replacement. Replacement bags should be checked to ensure compliance with the original manufacturer's recommendations or specifications.

CONGRATULATIONS on your purchase of a Sears Lawn Tractor. It has been designed, engineered and manufactured to give you the best possible dependability and performance. Should you experience any problem you cannot easily remedy, please contact your nearest Sears Service Department. We have competent, well-trained technicians and the proper tools to service or repair this unit.

MAINTENANCE AGREEMENT

A Sears Maintenance Agreement is available on this product. See the nearest Sears store or service centre for details.

CUSTOMER RESPONSIBILITIES

Read and retain this manual. Study and observe the safety rules. Always use care when using your tractor. Always keep your tractor and mower clean. Follow a regular schedule in maintaining, caring for, and using your tractor. A well cared for tractor will run better and last longer.

ATTACHMENTS

This unit can use many attachments now available at your Sears store. It cannot use attachments that engage the ground like a plow, harrow, cultivator, or tiller. See page 50 for a list of available attachments.

SERIAL NUMBER _____
DATE OF PURCHASE _____
THE SERIAL NUMBER WILL BE FOUND ON THE MODEL PLATE UNDER THE SEAT.
YOU SHOULD RECORD THESE NUMBERS AND KEEP FOR FUTURE REFERENCE.

LIMITED ONE YEAR WARRANTY ON ELECTRIC START RIDING EQUIPMENT

For one year from date of purchase, when this riding equipment is maintained, lubricated, and tuned up according to the operating and maintenance instruction in the owner's manual, Sears will repair free of charge any defect in material or workmanship in this electric start riding equipment.

This warranty excludes blade(s), blade adapter(s), spark plug(s), air cleaner and belt(s), which are expendable and become worn during normal use.

This warranty does not cover:

- Tire replacement or repair caused by punctures from outside objects (such as nails, thorns, stumps, or glass); and
- repairs necessary because of operator abuse or negligence, including the failure to maintain the equipment according to instructions contained in the owner's manual; and
- riding equipment used for commercial or rental purposes.

FULL 90 DAY WARRANTY ON BATTERY

For 90 days from the date of purchase, if any battery included with this riding equipment proves defective in material or workmanship and our testing determines the battery will not hold a charge, Sears will replace the battery at no charge.

WARRANTY SERVICE IS AVAILABLE BY CONTACTING THE NEAREST SEARS SERVICE CENTER/DEPARTMENT.

This warranty gives you specific legal rights, and you may also have other rights which may vary from state to state.

SEARS, ROEBUCK AND CO., D/731CR-W SEARS TOWER, CHICAGO, IL 60684

NOTE: THE ILLUSTRATIONS SHOWN IN THIS MANUAL ARE TO AID IN THE ASSEMBLY AND OPERATION OF YOUR TRACTOR. THEY MAY OR MAY NOT SHOW THE ACTUAL MODEL YOU HAVE PURCHASED.

INDEX

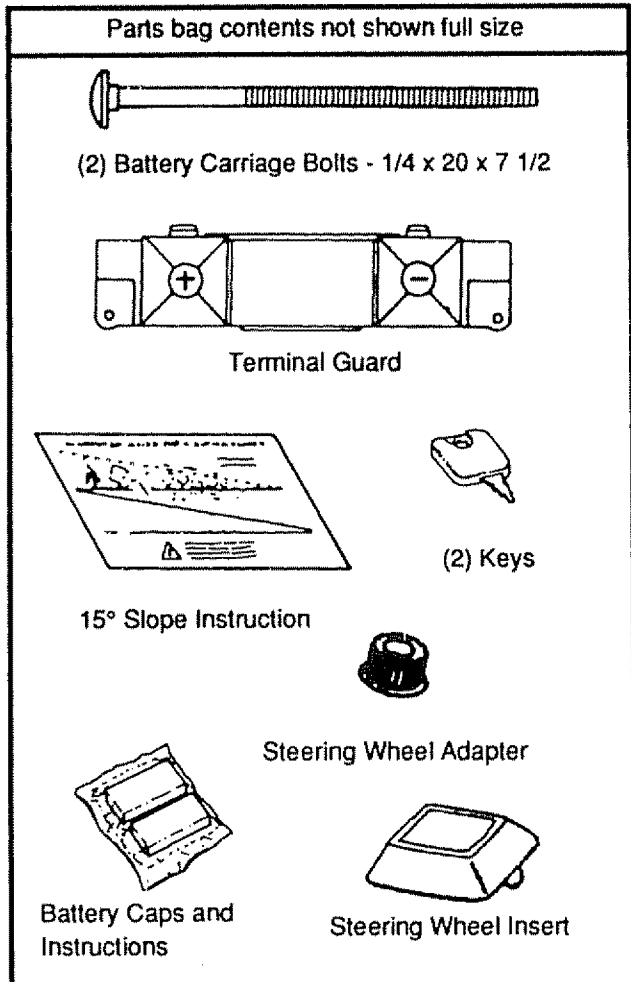
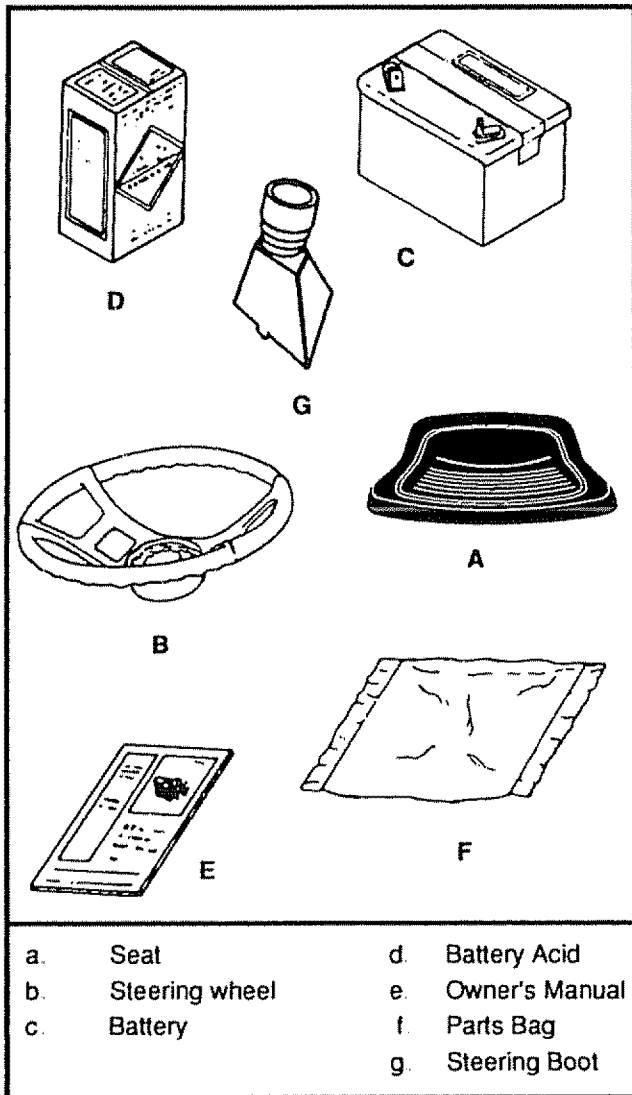
A		F		Options:	
Adjustments:		Filter:		Attachments	50
Brake	14	Air Cleaner	16	Spark Arrester	2,32
Carburetor	18	Fuel	18	P	
Mower Drive Belt	22	Fuel:		Parking Brake	9
Mower		Type	10	Parts Bag	5-6
Front-To-Rear	23	Storage	23	Parts, Replacement/Repair	28-46
Side-To-Side	22	Fuse	19	R	
Throttle Control Cable	18	H		Repair and Adjustments	14-24
Engine Valves	18	Hood Removal/Installation	20	Blade	14
Air Cleaner	16	L		Carburetor	18
Air Screen, Engine	16	Leveling Mower Deck	22	Fuse	19
Assembly	5-9	Lubrication:		Hood Removal/Installation	20
Attachments	50	Chart	24	Motion Drive Belt	
B		Tractor Pivot Points	17	Removal/Replacement	19
Battery:		M		Mower Drive Belt	
Charging	7, 17	Maintenance	13	Removal/Replacement	22
Cleaning	15	Air Cleaner	16	Mower Adjustment	
Installation	8	Foam Pre-cleaner	16	Front- to-Rear	23
Levels	15	Air Screen, Engine	16	Side-to-Side	22
Preparation	7	Battery	15	Mower Removal	21
Starting with Weak Battery	17	Blade Sharpening	14	Tire Care	14
Storage	23	Brake Adjustment	14	Repair Parts	28-46
Terminals	15	Engine Oil	16	S	
Belt:		Fuel Filter	18	Safety Rules	2
Motion Drive		Lubrication Chart	24	Seat	8
Removal/Replacement	19	Spark Plug	18	Service Record	13
Mower Drive		Tire Care	8,14	Slope Guide Sheet	51
Removal/Replacement	22	Mower:		Spark Plug	18
Adjustment	22	Adjustment, Front-to-Rear	23	Speed Control Chart	12
Blade:		Adjustment, Side-to-Side	22	Starting the Engine	11
Sharpening	14	Blade Sharpening	14	Steering Wheel	7
Replacement	14	Blade Replacement	14	Stopping the Tractor	10
Brake Adjustment	14	Cutting Level	12,22	Storage	23
C		Installation	21	T	
Carburetor Adjustment	18	Operation	11	Throttle Control Cable	
Controls, Tractor	9	Removal	21	Adjustment	18
Cutting Level, Mower	12,22	Mowing Tips	12	Tires	8,14
E		Muffler	17	Trouble Shooting Chart	25-26
Engine:		Spark Arrester	2,32	Transaxle:	
Air Screen	16	O		Repair Parts	40-41
Oil Change	15	Oil:		Warranty	48
Oil Level	16	Cold Weather Conditions	16	Transporting	12
Oil Type	16	Engine	16	V	
Preparation	10	Storage	23	Valve Adjustments	18
Repair Parts	42-46	Operation	9-12	W	
Starting	10	Operating Your Mower	11	Warranty	3
Storage	23	Operating Your Tractor	11	Wiring Schematic	27
		Starting the Engine	10		
		Stopping Your Tractor	10		
		Tractor Operation on Hills	12		

ASSEMBLY

To assemble tractor you will need:

- | | |
|--------------------|---------------------|
| (2) 7/16" wrenches | Tire Pressure Gauge |
| (1) 1/2" wrench | Screwdriver |
| (2) 9/16" wrenches | Utility Knife |
| (1) 3/4" wrench | 5/16" Wrench |






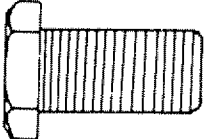

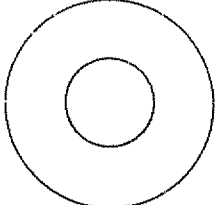
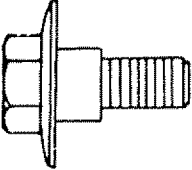

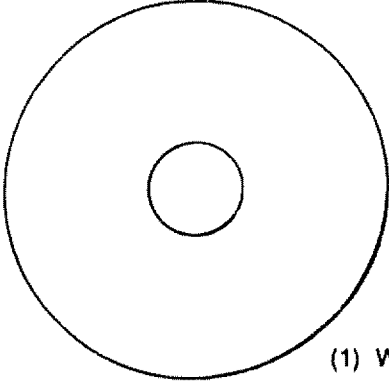

Take all of the items out of the box. The box contains the items shown below. Open the parts bag and check the contents (see page 6).



NOTE: RIGHT HAND(R.H.) AND LEFT HAND (L.H.) ARE DETERMINED FROM OPERATOR'S POSITION WHILE SEATED ON THE TRACTOR

The operation of any tractor can result in foreign objects thrown into the eyes, which can result in severe eye damage. Always wear safety glasses or eye shields before starting your tractor and while moving. We recommend Wide Vision Safety Mask for over the spectacles or standard safety glasses, available at Sears Retail or Catalog Stores.

ASSEMBLY

ASSEMBLY LOCATION	PARTS BAG CONTENTS SHOWN FULL SIZE
<p>BATTERY</p>	 <p>(2) Wing Nut 1/4-20</p>
<p>BATTERY TERMINALS</p>	 <p>(2) Hex Bolt 1/4-20 x 3/4</p>  <p>(2) Lock Washer 1/4</p>  <p>(2) Washer 9/32 x 5/8 x 16 Ga</p>  <p>(2) Hex Nut 1/4-20</p>
<p>SEAT</p>	 <p>(1) Adjustment Bolt</p>  <p>(1) Lock Washer 1/2</p>  <p>(1) Washer 17/32 x 1-3/16 x 12 Ga.</p>  <p>(1) Shoulder Bolt 5/16-18</p>
<p>STEERING BUSHING</p>	 <p>(2) Sheet Metal Screw 10-16 x 1/2 ABTBS</p>
<p>STEERING WHEEL</p>	 <p>(1) Washer 2-1/4</p>  <p>(1) Locknut 1/2-20</p>

ASSEMBLY

1. Prepare Battery

WEAR EYE AND FACE SHIELD.

WASH HANDS OR CLOTHING IMMEDIATELY IF ACCIDENTALLY IN CONTACT WITH BATTERY ACID.



DO NOT SMOKE. FUMES FROM CHARGED BATTERY ACID ARE EXPLOSIVE.

READ THE INSTRUCTIONS INCLUDED WITH THE BATTERY VENT CAPS IN THE BAG OF PARTS. ALWAYS WEAR GLOVES, CLOTHING AND GOGGLES TO PROTECT YOUR HANDS, SKIN AND EYES.

Fill and charge battery (before installing). NOTE: SEE DETAILED INSTRUCTIONS PACKAGED WITH BATTERY VENT CAPS FOUND IN BAG OF PARTS.

- Fill each cell with battery acid. Add the acid until it reaches the bottom of the vent tubes (Fig. 1). Do not add the acid beyond this level or the additional acid can come out when the battery is charged.
- After cells are filled, tilt battery from side to side to release air bubbles.
- Allow battery to stand and settle for at least thirty minutes. If the level of acid falls below the point described in step (a), add more acid until the correct level is reached. Install the battery caps, found in the bag of parts, to cover the vent tubes. Wash the top of the battery with water to remove any acid, then wipe dry.
- Check battery case for leakage to make sure that no damage has occurred in handling.
- Neutralize excess battery acid for disposal by adding it to 2 gallons (7 litres) of water in a five gallon (20 litres) plastic container. Stir with a wooden or plastic paddle while adding baking soda until the addition of more soda causes no more foaming.
- It is recommended that the battery be charged before use. Use a 12 volt battery charger. Charge battery at a rate of 6 amperes for 1 hour. NOTE: OBSERVE SAFETY PRECAUTIONS, LISTED IN BOX ABOVE, REQUIRED FOR BATTERY CHARGING. Check the acid level after the battery is charged. If the acid has fallen below the correct level, add distilled or iron free water.

2. Unpack Tractor

- Cut down four corners of the carton with utility knife and fold down sides.
- Disengage parking brake and position front wheels straight ahead (see page 9).
- Install steering wheel
 - Slide the steering bushing over the steering shaft (Fig. 2).
 - Position steering shaft forward until screw holes in dash line up with steering bushing. Install two (2) screws (Fig. 2).
 - Position steering boot over steering shaft.
 - Place bottom of steering boot over two slots in dash (Fig. 2).

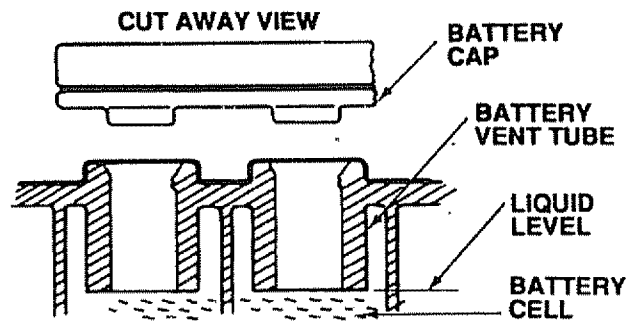


FIGURE 1

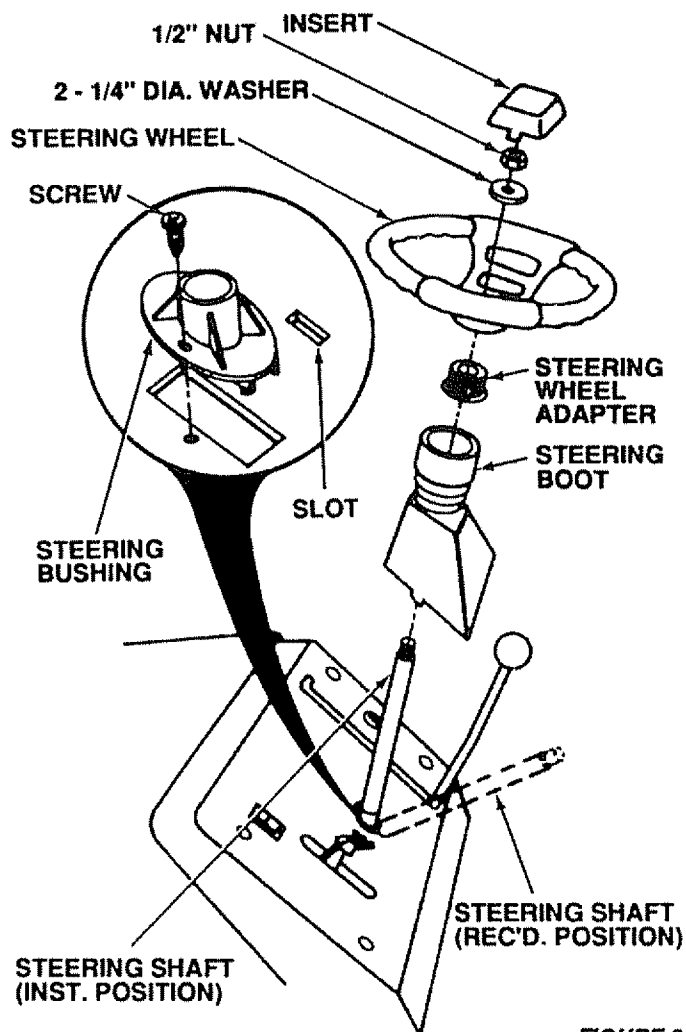


FIGURE 2

- Push steering boot down into aligning slots on dash.
- Place steering wheel adapter on steering shaft.
- With front wheels pointed straight ahead, place steering wheel on steering wheel adapter. Bars of steering wheel should point straight across tractor.

ASSEMBLY

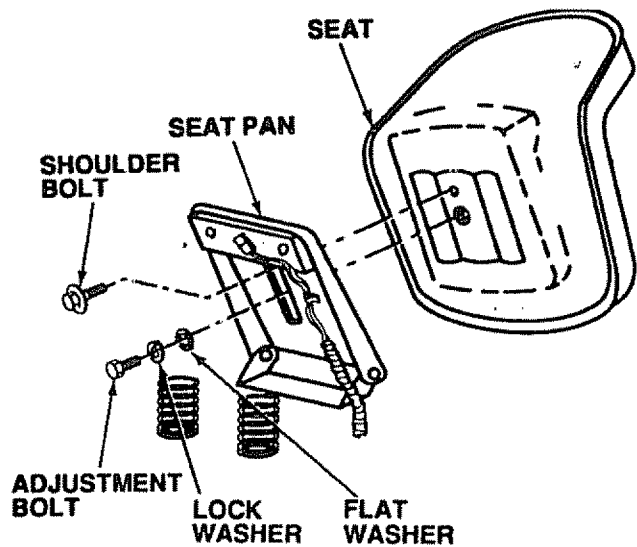


FIGURE 3

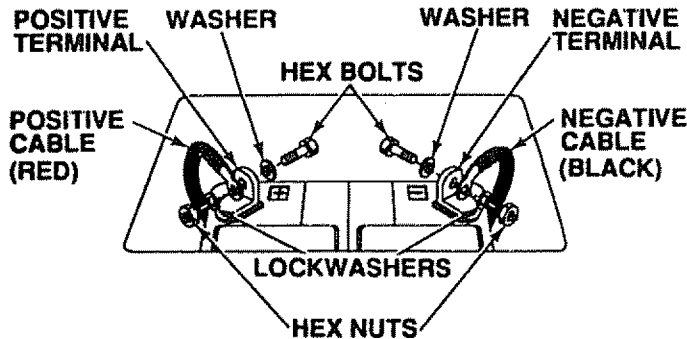


FIGURE 4

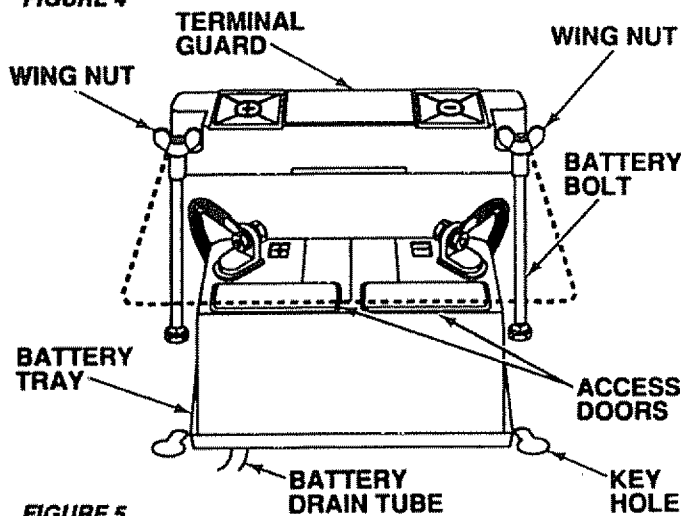


FIGURE 5

8. Place 2 1/4" diameter washer on steering shaft and install a 1/2" locknut (washer and locknut found in bag of parts). Tighten securely.
9. Snap insert into steering wheel.
- d. Remove plastic on tractor hood.
- e. Raise attachment lift handle (see page 9).
- f. Roll Tractor off skid. Be careful of staples in skid.

3. Install Seat

- a. Remove cardboard from seat pan.
- b. Place seat on seat pan. Screw adjustment bolt, lock washer and flat washer into seat (Fig. 3). Screw shoulder bolt into seat (Fig. 3). Adjustment bolt, shoulder bolt and washers found in bag of parts (shown full size on page 6).
- c. Tighten shoulder bolt using a 1/2" wrench. NOTE: THE SHOULDER BOLT WILL BE LOOSE IN THE SEAT PAN SLOT.
- d. Tighten adjustment bolt, lock washer and flat washer securely.

NOTE: SEAT POSITION SHOULD BE ADJUSTED FORWARD OR BACKWARD SO THAT THE OPERATOR CAN COMFORTABLY REACH CLUTCH/ BRAKE PEDAL AND SAFELY OPERATE TRACTOR.

- e. Place seat in operating position. Sit on the seat and press clutch/brake pedal all the way down. If operating position is not comfortable, adjust seat.
- f. To adjust: raise seat. Loosen adjustment bolt. Slide seat to desired position. Tighten adjustment bolt securely.



ADJUSTMENT BOLT, LOCK WASHER AND FLAT WASHER MUST BE TIGHTENED SECURELY TO PREVENT MOVEMENT OF SEAT.

4. Check Tires

Check the air pressure in the tires. Tires with too much air pressure will cause the unit to ride rough. The wrong air pressure will also keep the mower from cutting level. The correct air pressure is shown on the side of the tires. If the air pressure is not shown, set to pressures shown in the REPAIR AND ADJUSTMENT section (page 14).

5. Install Battery



BEFORE INSTALLING BATTERY, REMOVE METAL BRACELETS, WRIST WATCH BANDS, RINGS, ETC. FROM YOUR PERSON. TOUCHING THESE ITEMS TO BATTERY TERMINALS COULD RESULT IN BURNS.

WEAR EYE AND FACE SHIELD.

WASH HANDS OR CLOTHING IMMEDIATELY IF ACCIDENTALLY IN CONTACT WITH BATTERY ACID.



DO NOT SMOKE. FUMES FROM CHARGED BATTERY ACID ARE EXPLOSIVE.

READ THE INSTRUCTIONS INCLUDED WITH THE BATTERY VENT CAPS IN THE BAG OF PARTS. ALWAYS WEAR GLOVES, CLOTHING AND GOGGLES TO PROTECT YOUR HANDS, SKIN AND EYES.

ASSEMBLY

- a. Lift seat (Fig. 3).
- b. Lower battery into fender well with battery terminals toward front of tractor (Fig. 4). Make sure battery rests in battery tray (Fig. 5)

NOTE: BE SURE BATTERY DRAIN TUBE IS SECURELY ATTACHED TO BATTERY TRAY DRAIN (Fig. 5).



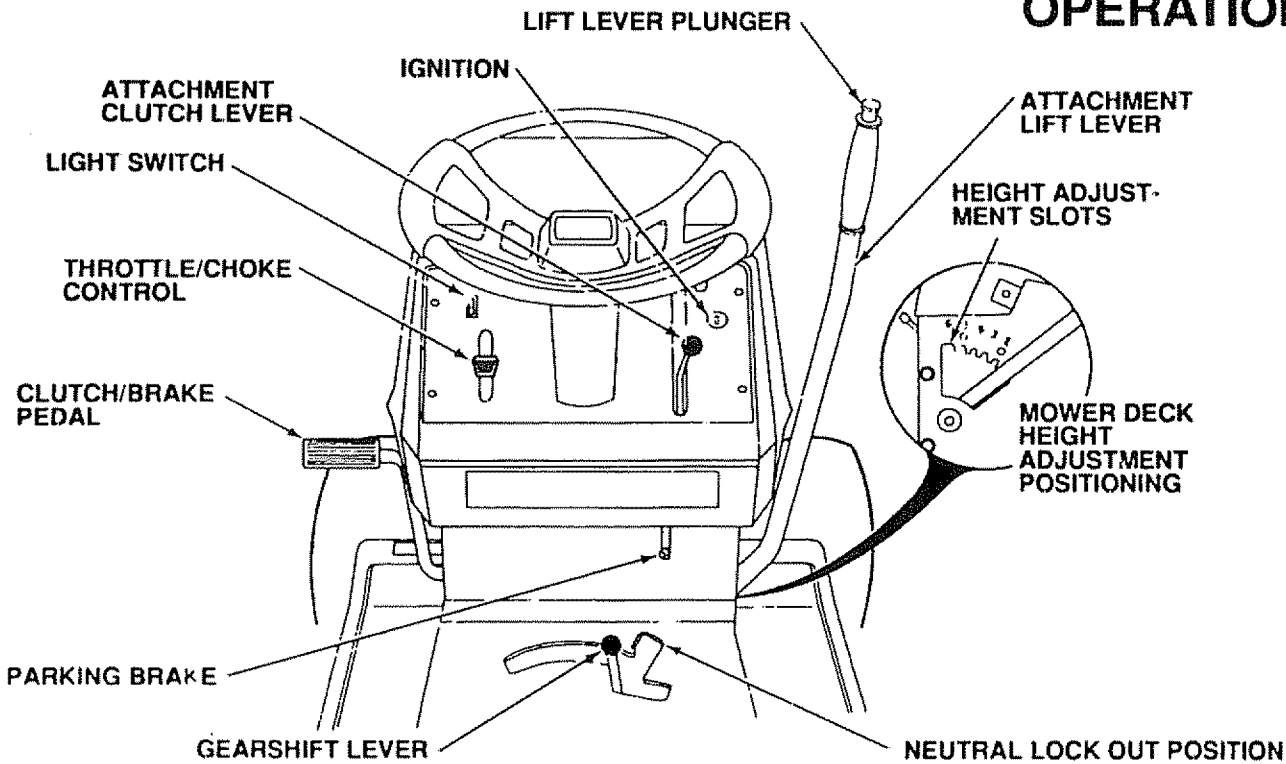
POSITIVE TERMINAL MUST BE CONNECTED FIRST TO PREVENT SPARKS FROM ACCIDENTAL GROUNDING.

- c. Connect **RED** battery cable to positive (+) battery terminal with hex bolt, flat washer, lock washer and hex nut (shown full size on pg. 6) found in bag of parts. Tighten securely with two 7/16" wrenches. (Fig. 4).

- d. Connect **BLACK** ground cable to negative (-) battery terminal with remaining hex bolt, flat washer, lock washer and hex nut (shown full size on pg. 6) found in bag of parts. Tighten securely (Fig. 4).
- e. To prevent corrosion, apply grease to the battery terminals after installing cables.
- f. Slide two battery bolts through terminal guard and start the wing nuts onto the threads (Fig. 5).
- g. Position terminal guard over battery as shown (Fig. 5) and align bolt heads with key holes next to battery tray (Fig. 5).
- h. Lower bolt heads into key holes and slide square shafts of bolts into slots of key holes (Fig. 5).
- i. Tighten wing nuts.
- j. Close terminal access doors.

CAUTION: DO NOT START ENGINE UNTIL YOU HAVE REVIEWED THE OPERATION SECTION OF THIS MANUAL.

OPERATION



KNOW YOUR TRACTOR

ATTACHMENT CLUTCH LEVER: Push lever up to engage attachment. There will be an engine hesitation as the clutch engages.

ATTACHMENT LIFT LEVER: Use the attachment lift lever to raise and lower the attachment mounted to your tractor. Pull lever back slightly and push button, then move the lift lever forward to lower attachment.

CLUTCH/BRAKE PEDAL: The pedal has 2 functions; a clutch and a brake. To engage the brake push the pedal completely down.

HEIGHT ADJUSTMENT: Use the height adjustment slots to adjust the mower height. Push the attachment lift lever plunger down and position the attachment lift lever into the desired slot. Release lift lever plunger.

GEARSHIFT: Press the clutch/brake pedal down firmly and move gearshift lever to desired speed.

IGNITION: Place key in ignition and turn to the right to start. The switch spring returns from the start position.

LIGHT SWITCH: Turns the headlights on and off.

PARKING BRAKE: To set the parking brake, push the clutch/brake pedal completely down. Hold the parking brake lever in "Engage" position and release pressure from pedal. Clutch/brake pedal will remain in brake position.

THROTTLE/CHOKE CONTROL: Use the throttle control to increase or decrease the speed of the engine, and to choke the engine for starting. Push lever to the right and forward to choke.

NEUTRAL LOCKOUT POSITION: Transmission is disengaged when gearshift lever is in this position.

OPERATION

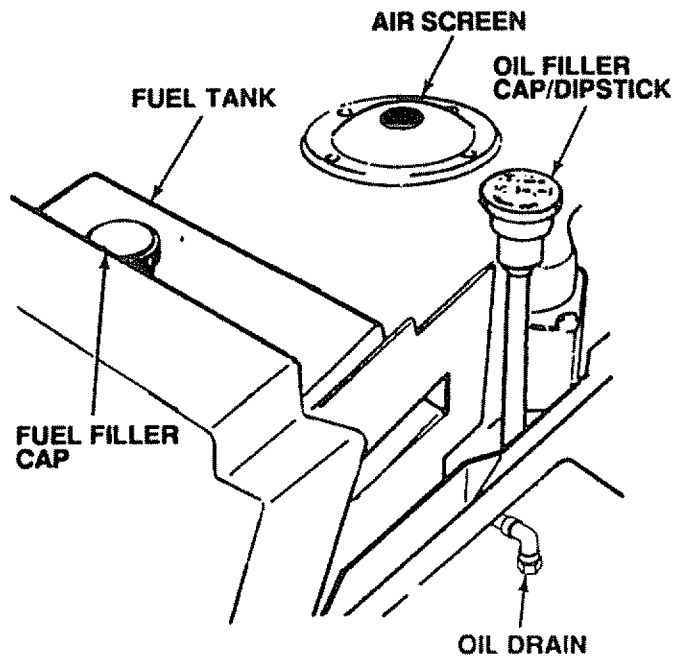


FIGURE 6

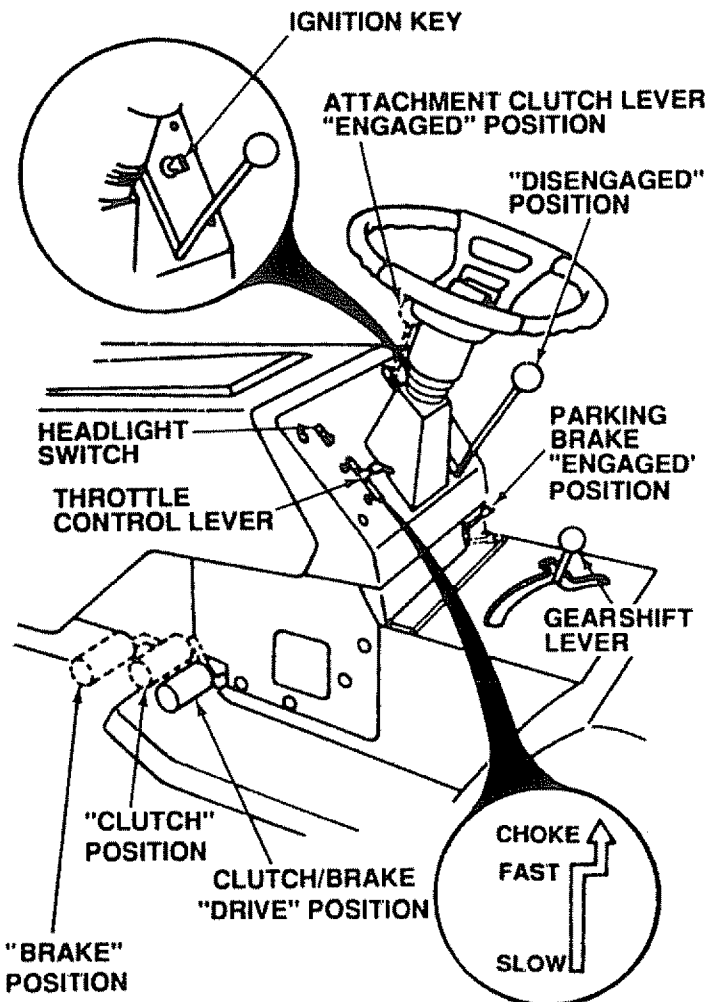


FIGURE 7

1. Stopping Your Tractor

NOTE: REMOVE KEY WHEN LEAVING TRACTOR TO PREVENT UNAUTHORIZED USE:

- Push clutch-brake pedal into full "BRAKE" position. Keep your foot on pedal (Fig. 7).
- Place attachment clutch lever in "DISENGAGED" position.
- Move gear shift lever to "NEUTRAL" position.
- Lift up to place parking brake in "ENGAGED" position (Fig. 10) and release pressure from clutch/brake. Pedal should remain in "BRAKE" position.
- Move throttle control to "S" (slow) position.
- Turn ignition key to "OFF" position. Never use choke to stop engine.

2. Preparing the Engine



LEARN TO STOP YOUR TRACTOR BEFORE ATTEMPTING TO START THE ENGINE.

- This engine has been shipped filled with summer weight oil (For cold weather operation see chart page 16). Check engine oil level. Refer to REPAIR AND ADJUSTMENT section (page 16).

Changing oil after the first two hours (or two mowings) will help eliminate break-in residue which might be damaging to your engine.

- Fill fuel tank (Fig. 6). Use fresh, clean, regular unleaded gasoline. Capacity is 5 quarts (4.73 litres).

NOTE: FRESH, CLEAN WINTER GRADE FUEL MUST BE USED TO INSURE GOOD COLD WEATHER STARTING



FILL TO BOTTOM OF GAS TANK FILLER NECK. DO NOT OVERFILL. WIPE OFF ANY SPILLED OIL OR FUEL. DO NOT STORE, SPILL OR USE GASOLINE NEAR AN OPEN FLAME.

CAUTION: EXPERIENCE INDICATES THAT ALCOHOL BLENDED FUELS (CALLED GASOHOL OR USING ETHANOL OR METHANOL) CAN ATTRACT MOISTURE WHICH LEADS TO SEPARATION AND FORMATION OF ACIDS DURING STORAGE. ACIDIC GAS CAN DAMAGE THE FUEL SYSTEM OF ANY ENGINE WHILE IN STORAGE.

TO AVOID ENGINE PROBLEMS, THE FUEL SYSTEM SHOULD BE EMPTIED BEFORE STORAGE FOR 30 DAYS OR LONGER. DRAIN THE GAS TANK, START THE ENGINE AND LET IT RUN UNTIL THE FUEL LINES AND CARBURETOR ARE EMPTY. USE FRESH FUEL NEXT SEASON. SEE STORAGE INSTRUCTIONS FOR ADDITIONAL INFORMATION.

NEVER USE ENGINE OR CARBURETOR CLEANER PRODUCTS IN THE FUEL TANK OR PERMANENT DAMAGE MAY OCCUR.

OPERATION

3. Starting the Engine

- Move throttle control lever (Fig. 7) past "FAST" to the "CHOKE" position.
- Fully depress clutch/brake pedal.
- Turn ignition key to "START" and release key as soon as engine starts.

CAUTION: DO NOT RUN STARTER CONTINUOUSLY FOR MORE THAN FIFTEEN SECONDS PER MINUTE.

- If engine does not start after four or five tries, move throttle control lever to "FAST" position, wait a few minutes and try again. If the engine does not start after four or five more tries, see the TROUBLESHOOTING Chart (page 25).
- After the engine starts move throttle control lever slowly to the "SLOW" position.
- To start a hot engine move the throttle control lever to a position between "FAST" and "SLOW".

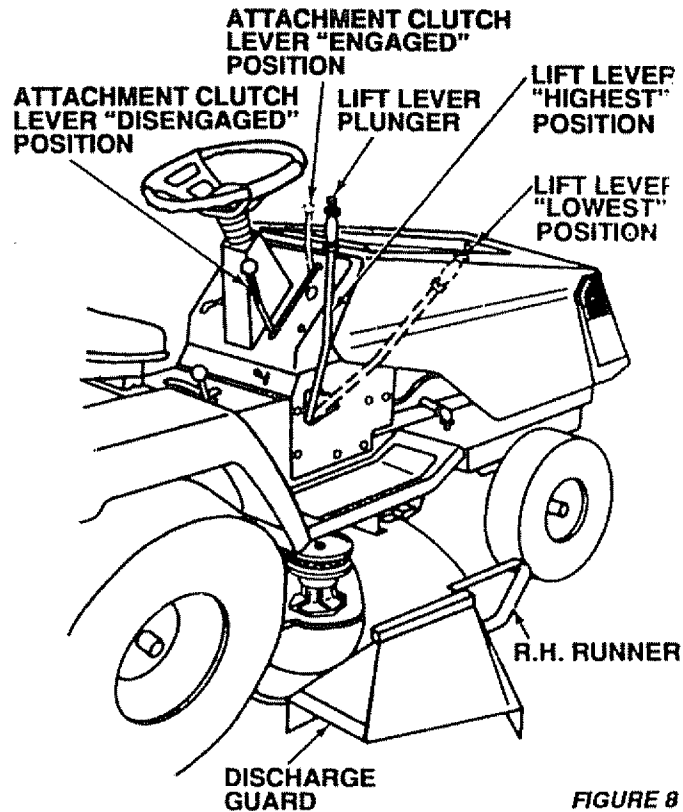


FIGURE 8

READ THE "RULES FOR SAFE OPERATION" CAREFULLY BEFORE OPERATING YOUR MOWER.

DO NOT OVER LOAD TRACTOR BY TOWING WEIGHTS GREATER THAN 150 POUNDS (68 KG).



ALWAYS WEAR SUBSTANTIAL FOOTWEAR AND AVOID LOOSE FITTING CLOTHING THAT COULD GET CAUGHT IN MOVING PARTS.

DO NOT OPERATE THE MOWER WITHOUT EITHER THE ENTIRE GRASS CATCHER, ON MOWERS SO EQUIPPED, OR THE DEFLECTOR SHIELD IN PLACE.

WHEN PARKING BRAKE IS ENGAGED, MAKE SURE IT WILL KEEP TRACTOR FROM MOVING.



NEVER PLACE YOUR HANDS OR FEET IN OR UNDER ANY POWERED ATTACHMENT OR NEAR ANY MOVING PART WHILE TRACTOR OR ANY POWERED ATTACHMENT IS RUNNING.

CAUTION

TO AVOID INJURY

- Read owner's manual.
- Know location and function of all controls.
- Keep guards, safety shield and switches in place and working.
- Remove objects that can be thrown by blades.
- Do not mow when children and others are around.
- Never carry children or passengers.
- Always look behind machine before backing.
- Do not mow where machine can tip or slip.
- If machine stops going uphill, stop blades and back slowly down.
- Be sure blades and engine have stopped before placing hands or feet near the blades.
- Remove key when leaving machine.

4. Operating Your Lawn Tractor and Mower

NOTE: THIS TRACTOR IS EQUIPPED WITH AN OPERATOR PRESENCE SENSING SWITCH. ANY ATTEMPT BY THE OPERATOR TO LEAVE THE SEAT WITH THE ENGINE RUNNING AND THE ATTACHMENT CLUTCH LEVER ENGAGED WILL SHUT OFF THE ENGINE.

CAUTION: DO NOT ADD ADDITIONAL WEIGHT TO THE TRACTOR OTHER THAN THE OPTIONAL WHEEL WEIGHTS. EXCESSIVE WEIGHT MAY OVERLOAD AND DAMAGE THE TRANSAXLE.

- Depress lift lever plunger and move the attachment lift lever to the highest position. See Fig. 8.
- Start the engine. (See Starting the Engine).
- Move the throttle lever to mid range position. Fully depress clutch/brake pedal. Select a low (1st or 2nd) gear until you become more familiar with the operation of the unit.

OPERATION

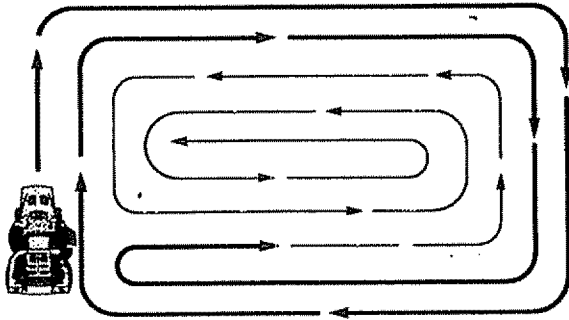




FIGURE 9

SPEED SELECTION GUIDE		
FUNCTION	GEARSHIFT	THROTTLE
Normal Mowing	2 or 3	 FAST
Heavy Mowing	1 or 2	
Snow Blowing	1	
Snow Blade	2	 SLOW-FAST
Transport	4 - 5	

- d. Slowly release clutch/brake pedal and proceed to the mowing area.
- e. Stop the unit, then select a mowing speed. (See Speed Selection Guide, page 12).
- f. Move throttle lever to half throttle and slowly move attachment clutch lever to engaged position, Fig. 8.
- g. Slowly release clutch/brake pedal.
- h. Move throttle lever to fast position.
- i. Observe height of cut and readjust as desired (see page 9).

CAUTION: BEFORE YOU MOVE THE GEARSHIFT LEVER, COME TO A COMPLETE STOP. FAILURE TO DO SO CAN RESULT IN GEAR BOX DAMAGE.

5. Mowing Tips

NOTE: TIRE CHAINS CANNOT BE USED WITH THE MOWER ATTACHED.

- a. Mower should be adjusted properly front to back and side to side for good mowing performance. Refer to REPAIR AND ADJUSTMENT section (page 22).
- b. Use the runner on the R.H. side as a guide; the blade cuts approximately an inch outside the runner (Fig. 8).
- c. Drive so that clippings are discharged onto the area that has been cut. Have the cut area to the right of the machine. This will result in a more even distribution of clippings and more uniform cutting.
- d. When mowing large areas (Fig. 9), start by turning to the right so that the clippings will discharge away from shrubs, fences, driveways, etc. After two or three rounds, mow in the opposite direction making left hand turns until finished.
- e. If grass is extremely tall, it should be mowed twice. The first time cut relatively high; the second time to the desired height.
- f. The left hand side of mower should be used for trimming.
- g. See Speed Selection Guide (above).
- h. Do not mow tall, dry (brown) grass over 6 inches (15.24 cm) tall. It is a fire hazard.

6. Operating the Tractor on Hills



DO NOT DRIVE UP OR DOWN HILLS WITH SLOPES GREATER THAN 15° AND DO NOT DRIVE ACROSS ANY SLOPE. REFER TO PAGE 51.

- a. Move gearshift lever to "1st" gear before starting up or down hills.
- b. AVOID STOPPING OR SHIFTING ON HILLS.
- c. If slowing is necessary, move throttle control lever to slower position.



LEAVE ENOUGH ROOM WHEN STOPPING AND STARTING TO ALLOW SLIGHT TRACTOR ROLL DOWNHILL AS CLUTCH/BRAKE PEDAL MOVES THROUGH CLUTCH POSITION.

- d. If stopping is absolutely necessary, push clutch/brake pedal quickly to brake position.
- e. To restart tractor movement, make sure tractor is in the lowest speed range ("1st" Gear) and release clutch/brake pedal SLOWLY.
- f. Make all turns gradually.

7. Transporting Your Tractor

For pushing or towing your tractor, place gearshift lever in "N" position. Do not tow or push at more than 6 MPH (9.7 KPH).

MAINTENANCE

To keep your tractor running better and longer, perform necessary service using the following maintenance schedule:

WITH EVERY MOWING

1. Make sure all nuts on bolts are tight and cotter pins and retainer springs are secure.
2. Observe all safety precautions.
3. Keep tractor well lubricated (refer to page 24).
4. Make sure areas around muffler, engine and mower deck are clean and free of debris buildup.



FOR ANY ADJUSTMENTS, INSPECTION OR MAINTENANCE:

1. PUSH TRACTOR CLUTCH/BRAKE PEDAL COMPLETELY INTO "BRAKE" POSITION.
2. MOVE GEARSHIFT TO "N" NEUTRAL POSITION.
3. PLACE PARKING BRAKE IN "ENGAGED" POSITION. REMOVE FOOT FROM PEDAL.
4. PLACE ATTACHMENT CLUTCH LEVER IN "DISENGAGED" POSITION.
5. TURN IGNITION KEY TO "OFF" POSITION.
6. MAKE ABSOLUTELY SURE THE BLADES AND ALL MOVING PARTS HAVE COMPLETELY STOPPED.
7. REMOVE THE IGNITION KEY.
8. DISCONNECT THE SPARK PLUG WIRE FROM THE SPARK PLUG AND KEEP WIRE AWAY FROM THE PLUG TO PREVENT INJURY FROM ACCIDENTAL STARTING. BE CAREFUL TO AVOID TOUCHING HOT ENGINE OR MUFFLER COMPONENTS.

SERVICE RECORD	SERVICE DATES					
	FIRST 2 HOURS	EVERY 8 HOURS	EVERY 25 HOURS	EVERY 50 HOURS	EVERY 100 HOURS	EVERY 200 HOURS
Change Engine Oil	✓	✓				
Check Brake Operation	✓	✓				
Check Tire Pressure	✓	✓				
Clean Air Screen		✓	✓			
Clean Air Cleaner		✓	✓			
Lubricate Pivot Points (see page 24)		✓	✓			
Check Battery Level and Recharge		✓	✓			
Clean Battery and Terminals		✓	✓			
Carburetor Adjustment		✓	✓			
V-Belt Adjustment		✓	✓			
Clean Engine Cooling Fins			✓	✓		
Check Muffler			✓	✓		
Replace Air Cleaner Paper Cartridge				✓	✓	
Replace Spark Plug				✓	✓	
Replace Fuel Filter					✓	✓
Adjust Valves					✓	✓

REPAIR AND ADJUSTMENT

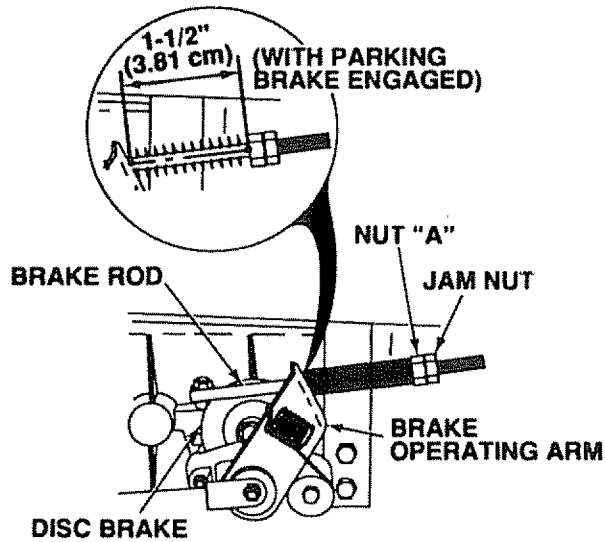


FIGURE 10

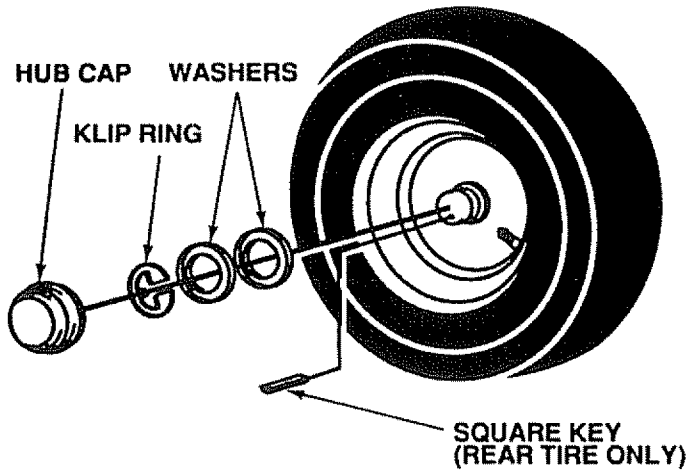


FIGURE 11

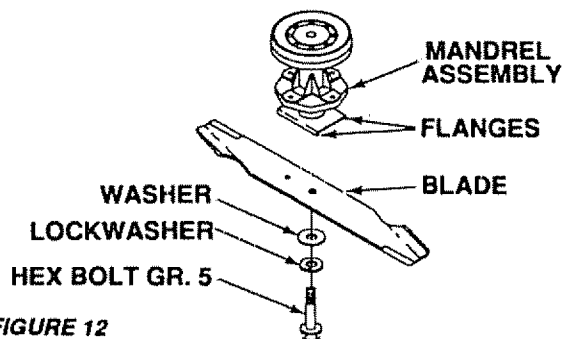
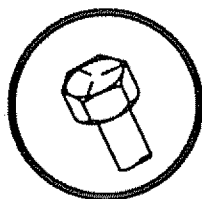


FIGURE 12



A GRADE 5 HEAT TREATED BOLT CAN BE IDENTIFIED BY THREE LINES ON THE BOLT HEAD AS SHOWN AT LEFT.

1. Brake Adjustment

This tractor is equipped with an adjustable brake system mounted on the right side of the transaxle (Fig. 10).



IF TRACTOR REQUIRES MORE THAN SIX FEET (1.8 METERS) STOPPING DISTANCE IN HIGHEST GEAR, THEN BRAKE MUST BE ADJUSTED.

- Depress clutch/brake pedal and engage parking brake.
- Measure distance between brake operating arm and nut "A" on brake rod.
- If distance is other than 1-1/2" (3.81 cm), loosen jam nut (Fig. 10) and turn nut until distance becomes 1-1/2" (3.81 cm). Retighten jam nut against nut "A".

Road test tractor for proper stopping distance as stated above. Readjust if necessary. If stopping distance is still greater than 6 feet (1.8 meters) in highest gear, further maintenance is necessary. Contact your local Sears Service Center.

2. Tire Care

- Maintain tire pressure in front at 14 PSI (1Kg/cm²) and rear tires at 10 PSI (0.7 Kg/cm²).
- Keep tires free of gasoline, oil, or insect control chemicals which can harm rubber.
- Avoid stumps, stones, deep ruts, sharp objects and other hazards that may cause tire damage.
- Removing wheel for tire repair (Fig. 11).
 - Block up axle securely.
 - Remove hub cap, klip ring and washer to allow wheel removal (rear wheel contains a square key - Do Not Lose).
 - Repair tire and reassemble. Align slots in rear wheel hub and axle. Insert square key. Replace washers and snap klip ring securely in axle hub cap. Replace hub cap.

NOTE: USE GREASE FITTINGS TO LUBRICATE FRONT WHEELS WITH GENERAL PURPOSE GREASE. APPLY AN ANTI-SEIZE OR GOOD GENERAL PURPOSE GREASE TO LUBRICATE REAR AXLES.

3. Blade Care

For best results, mower blades must be kept sharp. The blades can be sharpened with a few strokes of a file, or on a grinding wheel. We suggest they be sharpened after every 25 hours of mowing. Do not attempt to sharpen while on mower. If you mow in sandy soil check the blades after each two mowings. The sand wears the blades away rapidly.

a. Blade Replacement

Raise mower to highest position to permit access to blades.

- Remove the hex head bolt, lockwasher and flat washer (Fig. 12) (turn counterclockwise).
- Remove and discard old blade.
- Clean top and bottom of mower housing.
- Install new blade with SHARP EDGE DOWN and secure with flat washer, lockwasher and hex head bolt. TIGHTEN SECURELY.



ALWAYS USE GRADE 5 HEAT TREATED BOLTS TO ATTACH BLADES. DO NOT USE PLATED BOLTS. CHECK BOLTS IN BLADES OCCASIONALLY TO MAKE SURE BOLTS ARE TIGHT. TORQUE BOLTS TO 30-35 FT.-LBS (41-47 Nm).

REPAIR AND ADJUSTMENT

- b. When grinding, care should be taken to maintain blade balance and the blade should be checked for proper balance before reinstallation on mower. An unbalanced or bent blade will cause excessive vibration when running, and eventual damage to mower or engine. Replace bent or damaged blades.
- c. To check blade balance, drive a nail into a beam or wall. Leave about one inch of the straight nail exposed. Place center hole of clean blade over the head of the nail (Fig. 13). NOTE: CENTER HOLE OF BLADE ON NAIL. IF BLADE IS PROPERLY BALANCED, BLADE SHOULD REMAIN IN POSITION SHOWN IN FIG. 13. IF EITHER END OF THE BLADE MOVES DOWNWARD, BLADE IS NOT BALANCED. SHARPEN THE HEAVY END UNTIL BLADE IS BALANCED.

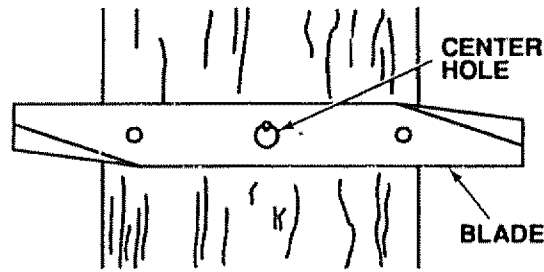


FIGURE 13

4. Battery Care

CHECK BATTERY

- a. Battery acid solution level in each battery cell should be even with bottoms of vent tubes in cells (Fig. 14). Add **ONLY** distilled or iron free water if necessary. NOTE: DO NOT OVERFILL.
- b. Keep battery and terminals clean.
- c. Keep battery bolts tight.
- d. Keep vent caps tight and small vent holes in caps open.
- e. Recharge with auto battery charger.

NOTE: OVERCHARGING WILL SHORTEN BATTERY LIFE.

CLEAN BATTERY AND TERMINALS

Corrosion and dirt on the battery and terminals cause the battery to "leak" power and hinders the operation of the charger.

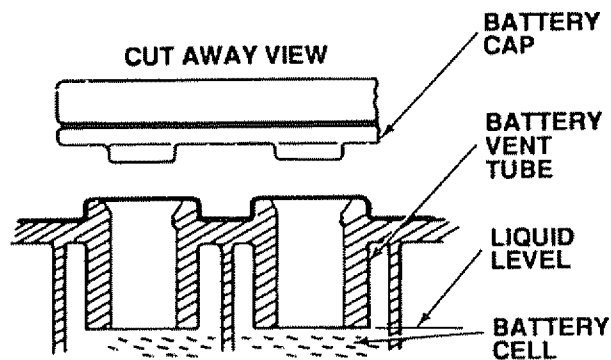


FIGURE 14



LEAD-ACID BATTERIES GENERATE EXPLOSIVE GASES. KEEP SPARKS, FLAME AND SMOKING MATERIALS AWAY FROM BATTERIES. ALWAYS SHIELD YOUR EYES AROUND BATTERIES.

- a. Remove terminal guard.
- b. Disconnect **BLACK** battery cable, then **RED** battery cable, and remove battery from tractor.
- c. Wash battery with four tablespoons (6 grams) of baking soda in one gallon (3.8 litres) of water. NOTE: BE CAREFUL NOT TO GET THE SODA SOLUTION INTO THE CELLS.
- d. Rinse the battery with plain water, dry and reinstall on tractor.
- e. Clean terminals and battery cable ends with wire brush until bright.
- f. Replace battery cables, connecting **RED** battery cable to positive terminal first, then **BLACK** battery cable to negative terminal. Coat terminal connections with grease after installation of cables.
- g. Replace terminal guard.

5. Change Engine Oil

The best time to change engine oil is at the end of a day's operation when all dirt and foreign materials are suspended in the hot oil.

Capacity is 1 quart (.94 litres). NOTE: DO NOT OVERFILL. Dipstick assembly must be securely tightened into tube at all times when engine is operating.

REPAIR AND ADJUSTMENT

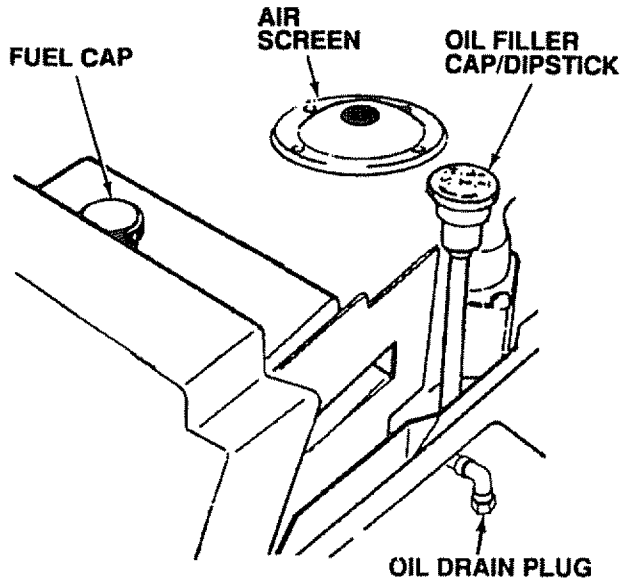


FIGURE 15

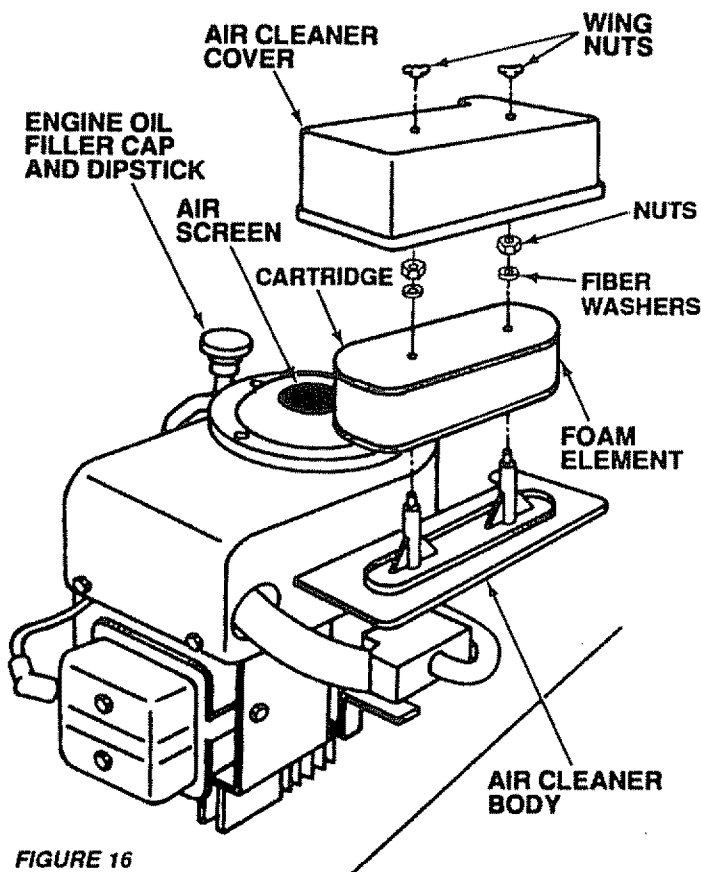


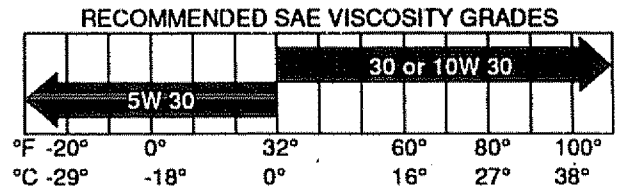
FIGURE 16

IMPORTANT: TO AVOID DAMAGE TO THE STARTING SYSTEM, USE SAE 5W30 OIL WHEN THE TEMPERATURE FALLS BELOW 32°F (0°C).

RECOMMENDED SAE VISCOSITY GRADES

Determine temperature range expected before next oil change. All oil must meet A.P.I. service classification SD, SE or SF.

- a. Remove oil drain plug to drain engine oil. Tighten plug securely before filling with fresh oil.
- b. Add oil through the oil filler cap/dipstick (Fig. 15).



6. Check Engine Oil Level

NOTE: DO NOT CHECK ENGINE OIL LEVEL WITH ENGINE RUNNING.

Several minutes after stopping engine, check engine oil level with tractor on level ground. Wipe dipstick (Fig. 15) clean, screw it down tight for a few seconds, remove and read oil level. If necessary, add oil until "FULL" mark is reached. (See chart above). **NOTE:** DO NOT OVERFILL.

7. Clean Air Cleaner Element (Fig. 16)

- a. Remove two wing nuts and remove air cleaner cover.
- b. Remove foam pre-cleaner.
 1. Wash pre-cleaner in liquid detergent and warm water to remove dirt.
 2. Wrap pre-cleaner in cloth and squeeze dry.
 3. Wipe foam with a light coat of engine oil. Do not saturate. Squeeze in rag or towel to remove excess oil.
- c. Remove two nuts from top of cartridge.
- d. Remove cartridge and clean air cleaner body carefully to prevent dirt from entering carburetor.
- e. Clean cartridge by gently tapping on flat surface. If very dirty, replace cartridge.
- f. Reassemble air cleaner.

NOTE: NUTS HOLDING AIR CLEANER CARTRIDGE MUST BE INSTALLED WITH FIBER WASHERS DOWN ON CARTRIDGE PLATE TO PREVENT DIRT FROM ENTERING CARBURETOR. TIGHTEN NUTS BY HAND. OVER TIGHTENING COULD COLLAPSE CARTRIDGE.

NOTE: NEVER RUN ENGINE WITH AIR CLEANER REMOVED.

8. Clean Air Cleaner and Engine Cooling Fins



ALWAYS WEAR EYE AND FACE PROTECTION WHEN USING COMPRESSED AIR.

Air screen and cooling fins (Figs. 16 and 17) must be kept free of dirt and chaff to prevent engine damage from overheating. Clean with a wire brush or compressed air to remove dirt and dried gum fibers.

- a. Remove hood (page 20).
- b. Remove air cleaner cover (Fig. 16).
- c. Remove 3 screws securing air cleaner body (Fig. 17) and remove. (Cover carburetor to prevent entry of dirt.)
- d. Remove oil dipstick and cover opening to prevent entry of dirt.
- e. Remove 3 screws from blower housing and lift housing off engine (Fig. 17).

REPAIR AND ADJUSTMENT

- f. Use compressed air or stiff bristle brush to thoroughly clean engine cooling fins (Fig. 17) and air screen (Fig. 16).
- g. To reassemble, reverse above procedure.
- h. Be certain carburetor tube, breather tube, and gaskets are in place (Fig. 17).

9. Check Muffler

Inspect and replace damaged muffler and/or deflector as it could create a fire hazard and/or damage.



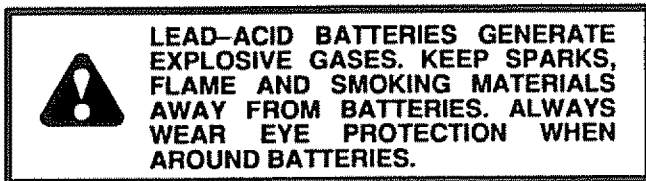
10. Lubricate Pivot Points

Place several drops of SAE 30 oil at points where metal parts move against each other, see Lubrication Chart page 24.

11. Starting Your Tractor With a Weak Battery

If your battery is too weak to start the engine, it should be recharged. If "jumper cables" are used for emergency starting, follow this procedure:

NOTE: YOUR TRACTOR IS EQUIPPED WITH A 12 VOLT NEGATIVE GROUNDED SYSTEM. THE OTHER VEHICLE MUST ALSO BE A 12 VOLT NEGATIVE GROUNDED SYSTEM.



- a. Connect each end of the **RED** jumper cable to the **POSITIVE (+)** terminals of each battery (taking care not to short against chassis). (Fig. 18).
- b. Connect one end of the **BLACK** jumper cable to the **NEGATIVE (-)** terminal of fully charged battery.
- c. Connect the other end of the **BLACK** jumper cable to the L.H. side panel bolt (Fig. 19) **NOTE: KEEP AWAY FROM GAS TANK AND BATTERY.**
- d. Disconnect cables in reverse order:
 1. L.H. side panel bolt (Fig. 19)
 2. Negative terminal of fully charged battery
 3. Positive terminals

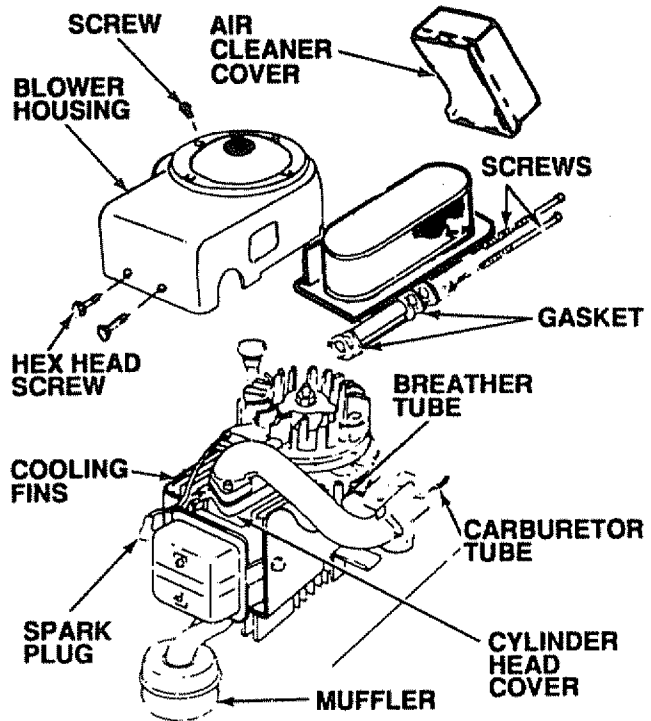


FIGURE 17

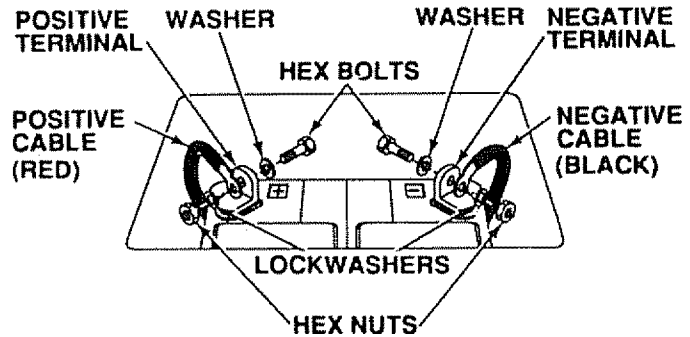


FIGURE 18

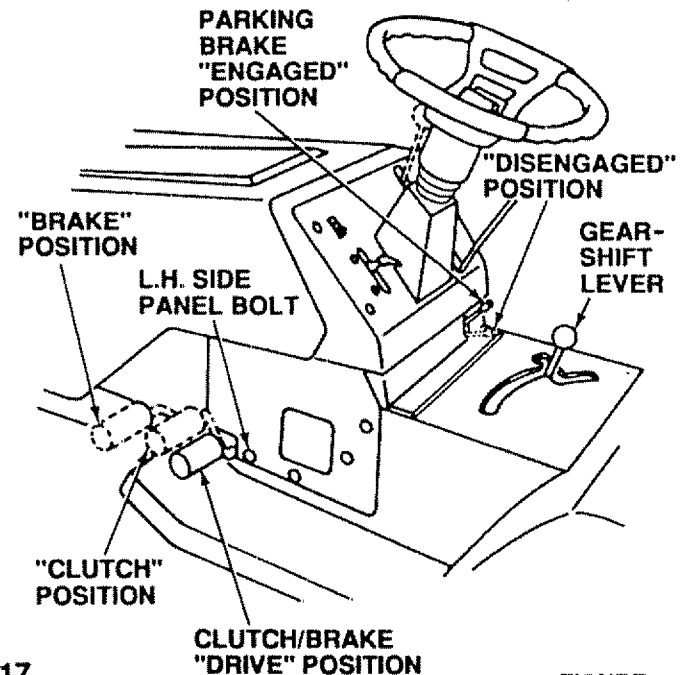


FIGURE 19

REPAIR AND ADJUSTMENT

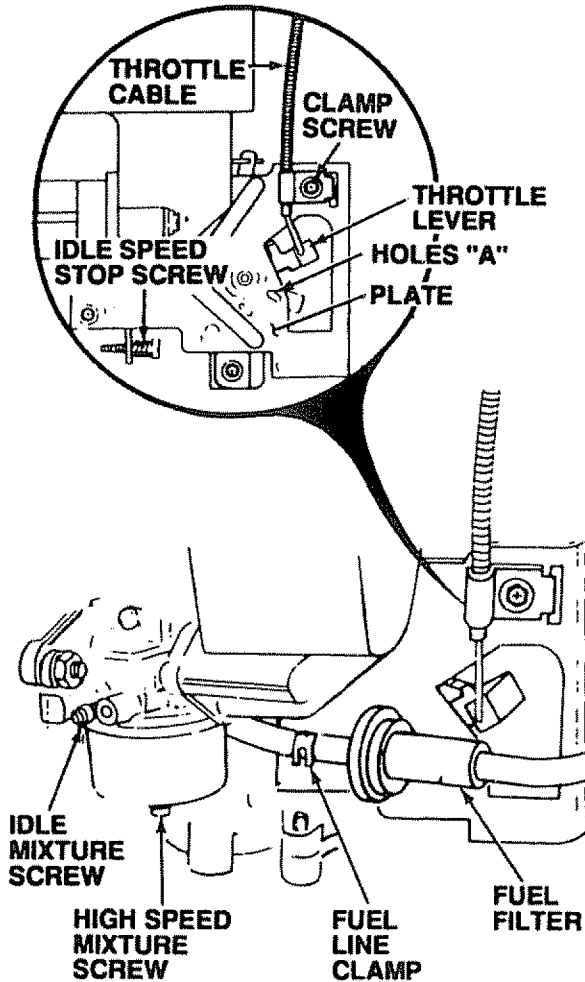


FIGURE 20

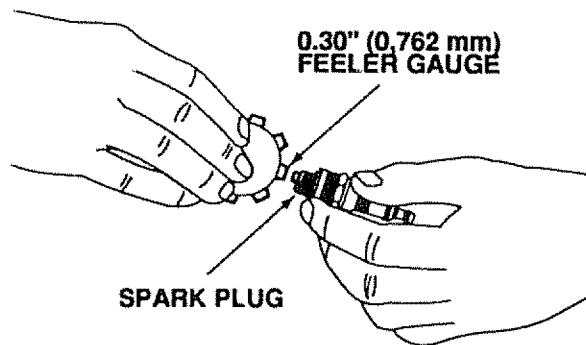


FIGURE 21

12. Throttle Control Cable Adjustment



DO NOT MAKE UNNECESSARY ADJUSTMENTS, FACTORY SETTINGS ARE SATISFACTORY FOR MOST APPLICATIONS AND CONDITIONS. IF ADJUSTMENTS ARE NEEDED, PROCEED AS FOLLOWS:

- Make sure air cleaner is clean (see page 16).
- With engine not running, place throttle control in "FAST" position (not in "CHOKE" position).

- Check that hole in throttle lever and hole in plate line up (Fig. 20 - Insert). If holes "A" are not aligned, loosen clamp screw and move throttle cable until holes are aligned. Tighten clamp screw.
- If holes do not align, repeat steps in throttle cable adjustment.

13. Carburetor Adjustment

NOTE: ADJUST THROTTLE CONTROL CABLE BEFORE MAKING ANY ADJUSTMENT TO CARBURETOR.

- With engine off turn high speed mixture screw clockwise closing finger tight ONLY, and turn counterclockwise 1-1/2 turns.

NOTE: THE SCREW SEAT MAY BE DAMAGED BY TURNING IT TOO FAR CLOCKWISE.

- Turn idle mixture screw clockwise closing finger tight, and turn counterclockwise 1-1/2 turns.



REFER TO "STARTING THE ENGINE" PAGE 11.

- Start engine and allow to warm for five minutes. Make final adjustment with engine running and gear shift lever in "NEUTRAL" position.
- With throttle control lever in "FAST" position, turn high speed mixture screw clockwise until engine runs "rough" and then turn counterclockwise 3/4 turn.
- With throttle control lever in "SLOW" position, turn idle mixture screw counterclockwise until engine runs "rough" and then turn clockwise until engine begins to die. Turn idle mixture screw to a point midway between these positions.
- With throttle control lever in "SLOW" position engine should idle at 1700 RPM. If engine idles too slow, push throttle control lever above idle and turn idle speed screw one turn clockwise. Set throttle control lever at "SLOW". Repeat until satisfactory idle is attained.
- If engine idles too fast with throttle control lever in "SLOW" position push throttle control lever above idle and turn idle speed screw one turn counterclockwise. Set throttle control lever at "SLOW". Repeat until satisfactory idle is attained.
- High speed stop is factory adjusted. **DO NOT ADJUST - DAMAGE MAY RESULT.**

14. Replace Spark Plug

Replace spark plug at the beginning of each mowing season or every 100 hours, whichever comes first. Gap should be set a 0.030 inch (Fig. 21).

15. Adjust Valves on Engine

After approximately 200 hours of operation, the engine valves will require adjustment. It is suggested that a Sears Service Center do this work. Correct settings are: Intake - .002 (.05 mm), Exhaust - .004 (.1 mm).

16. Replace In-Line Fuel Filter

BE SURE THERE ARE NO FUEL LINE LEAKS AND THAT HOSE CLAMPS ARE PROPERLY INSTALLED.

If fuel filter is clogged, obstructing fuel flow to carburetor, replacement is required.

- With engine cool, remove filter and plug fuel line sections that were removed from both ends of fuel filter (Fig. 20).
- Place new fuel filter in position in fuel line.

REPAIR AND ADJUSTMENT

17. Motion Drive Belt Removal

The tractor drive belt may be replaced without tools. Park the tractor on level area. Engage parking brake. NOTE: A BELT INSTALLATION DECAL IS UNDER LEFT FOOTREST.

- Remove mower. (See page 21).
- Remove two retainer springs from belt guide bracket below transaxle pulley. Remove bracket (Fig. 22).
- Swing belt guides away from belt, toward rear of tractor (Fig. 22).
- Roll belt over top of transaxle pulley.
- Roll belt over engine pulley and off idler (Fig. 23).
- Release parking brake. Pull belt as far as possible over top of clutch pulley.
- Reset parking brake. Pull belt over top of clutch pulley (Fig. 23).
- Pull belt out through shift gate to remove from tractor (Fig. 24).
- Install belt by reversing above procedure.

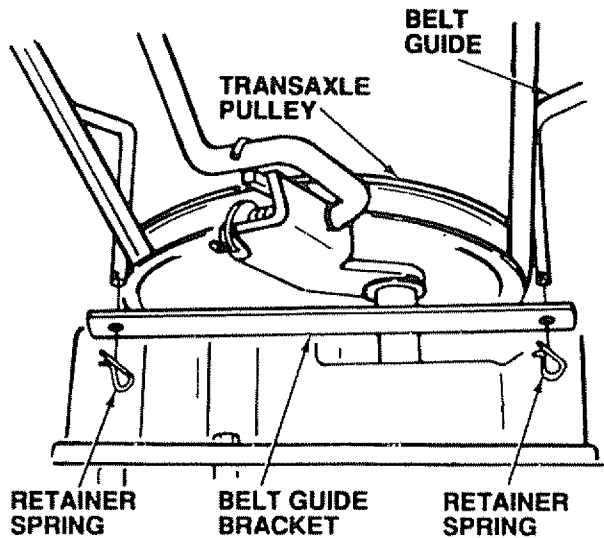
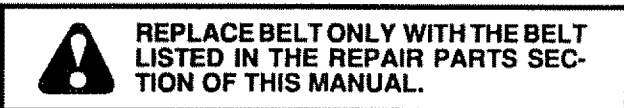


FIGURE 22



18. Fuse Replacement

Replace with 30 amp automotive-type plug-in fuse. The fuse holder is located under the dash.

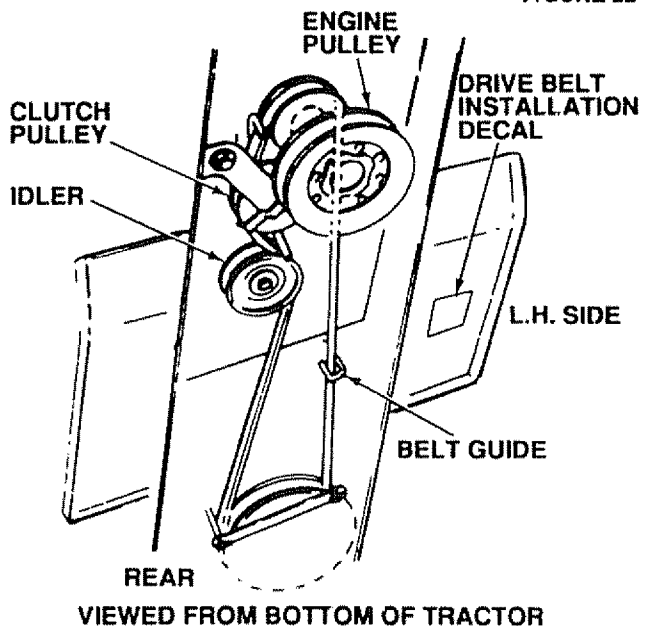


FIGURE 23

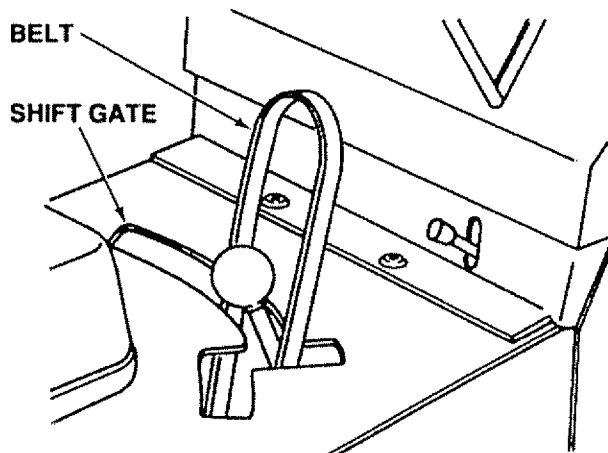


FIGURE 24

REPAIR AND ADJUSTMENT

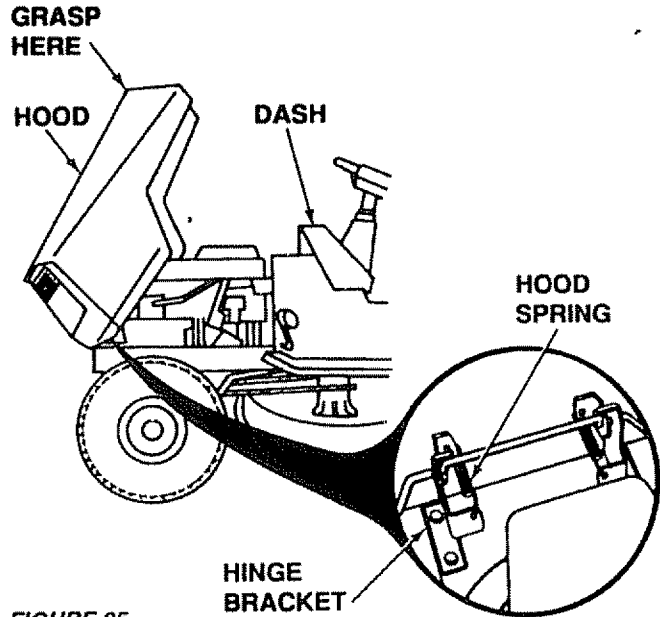


FIGURE 25

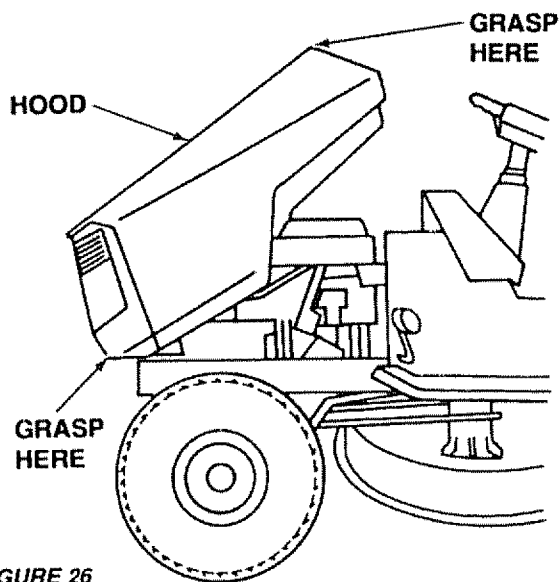


FIGURE 26

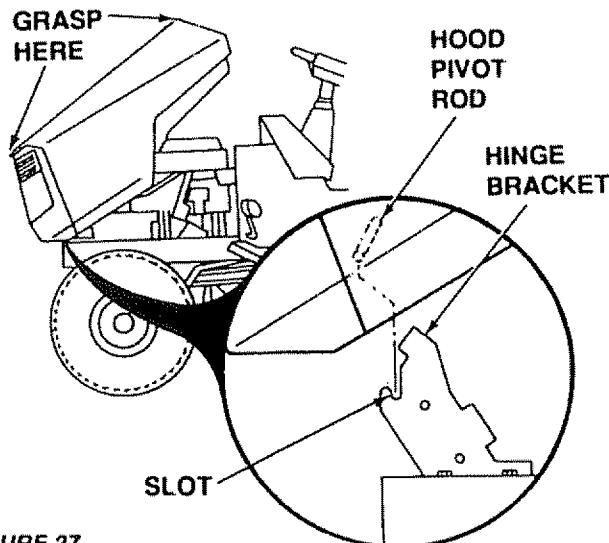


FIGURE 27

19. Hood Removal



KEEP FEET CLEAR FROM UNDER MOWER DECK.



DO NOT TOUCH HOT MUFFLER, ENGINE CYLINDER OR COOLING FINS AS CONTACT MAY CAUSE BURN.

- Grasp hood at edge next to dash and open hood to full up position (Fig. 25).
- Disconnect headlight connection (Fig. 28).
- Carefully remove hood springs from hinge brackets (Fig. 25).



SPRINGS ARE UNDER TENSION. WEAR SAFETY GOGGLES DURING REMOVAL AND INSTALLATION.

- Lower hood half way and grasp at the bottom of the grill and at the upper hood edge (Fig. 26). Lift hood up, out and away from tractor.
- Place hood carefully on the ground.

20. Hood Installation

- Pick hood up at top of grill and upper hood edge (Fig. 27).
- Align hood pivot rod with hinge brackets. Rotate hood half way down, slide pivot rod in and down into hinge slots (Fig. 27).
- Open hood to full up position (Fig. 25).
- Carefully reinstall hood hinge springs (Fig. 25).
- Reconnect headlight connection.
- Close hood.

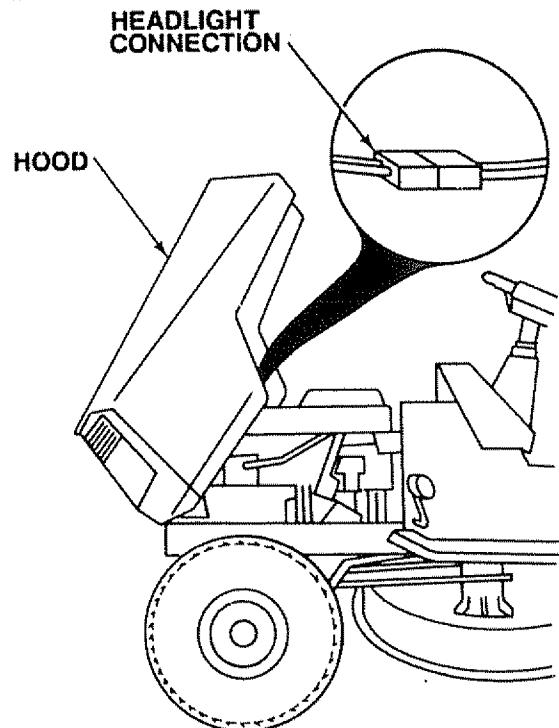


FIGURE 28

REPAIR AND ADJUSTMENT

21. Mower Removal

- Remove mower belt per instructions under "Mower Drive Belt Removal" through step (c).
- Remove retainer spring from clutch rod; pull clutch rod out of clutch bracket. (Fig. 29)
- Pull retainer springs out of rear suspension trunnions. Remove rear suspension trunnions from lift brackets (Fig. 29).
- Pull retainer spring out of rear hinge pin. Remove rear hinge pin. (Fig. 29).
- Pull retainer spring out of front hinge pin. Remove front hinge pin (Fig. 29).
- Use lift lever to raise suspension arms. Slide mower out from under tractor.

NOTE: IF AN ATTACHMENT OTHER THAN THE MOWER DECK IS TO BE MOUNTED ON THE TRACTOR, THE L.H. AND R.H. SUSPENSION ARMS (FIG. 29) SHOULD BE REMOVED FROM TRACTOR.

22. Mower Installation

Your Mower installs without the use of tools. Raise attachment lift lever (Fig. 30) to its highest position.

- Slide mower under tractor, discharge guard to R.H. side.
- Install front hinge pin through axle and parallel link (Fig. 32). Secure with retainer spring.
- Install rear hinge pin through mower lift brackets and parallel link (Fig. 32). Secure with retainer spring.
- Install clutch rod in clutch lever (Fig. 32).
- Move attachment lift lever (Fig. 30) forward to lower suspension arms. Slide trunnions through lift bracket holes and secure with retainer springs (Fig. 29).
- Roll belt over engine pulley. Make sure belt is inside belt guides (Fig. 32). See belt drive schematic decal on mower housing.
- Use attachment lift lever (Fig. 30) to raise mower.
- Push lift lever plunger down and position attachment lift lever to desired cutting height (Fig. 31). Release lift lever plunger.

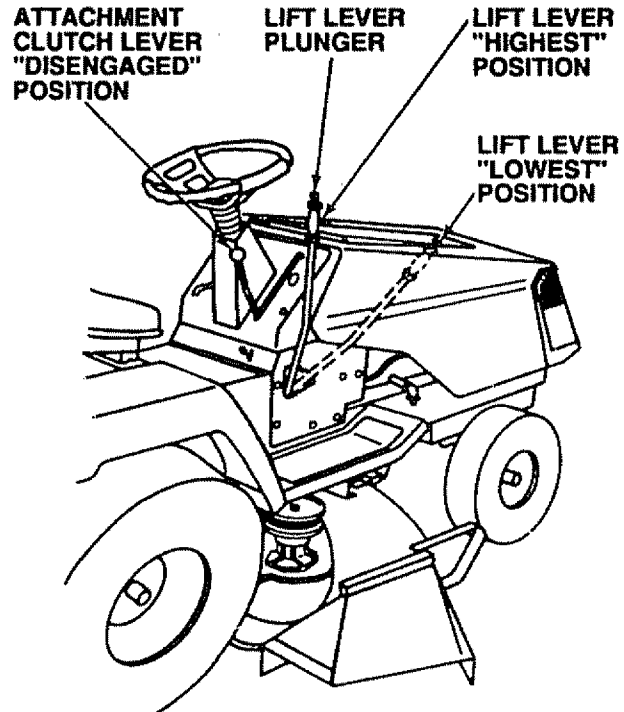


FIGURE 30

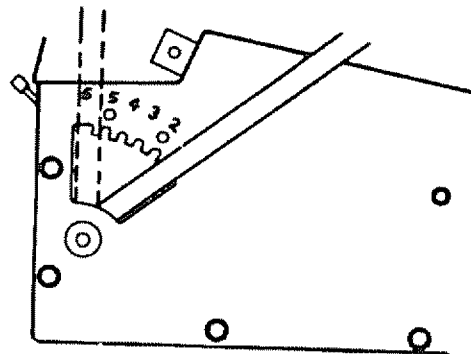


FIGURE 31

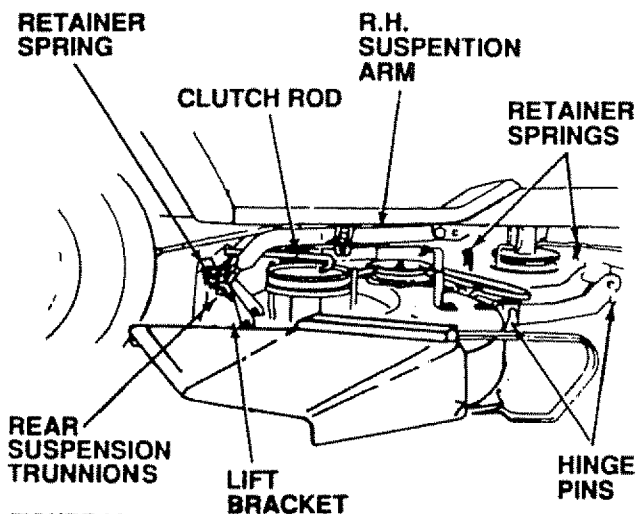


FIGURE 29

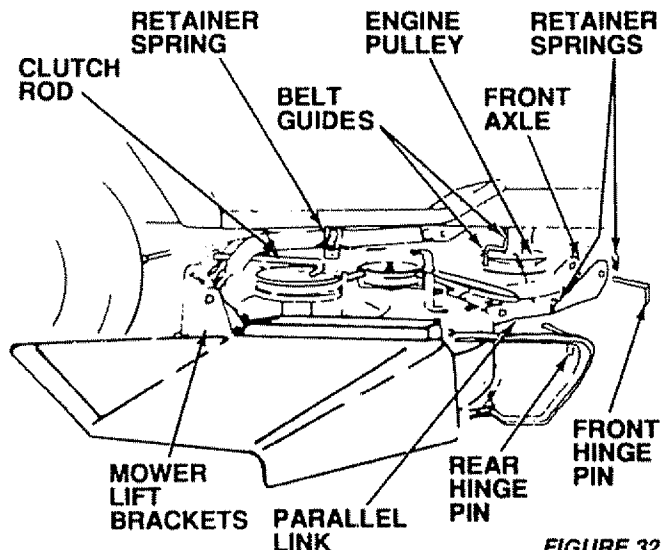


FIGURE 32

REPAIR AND ADJUSTMENT

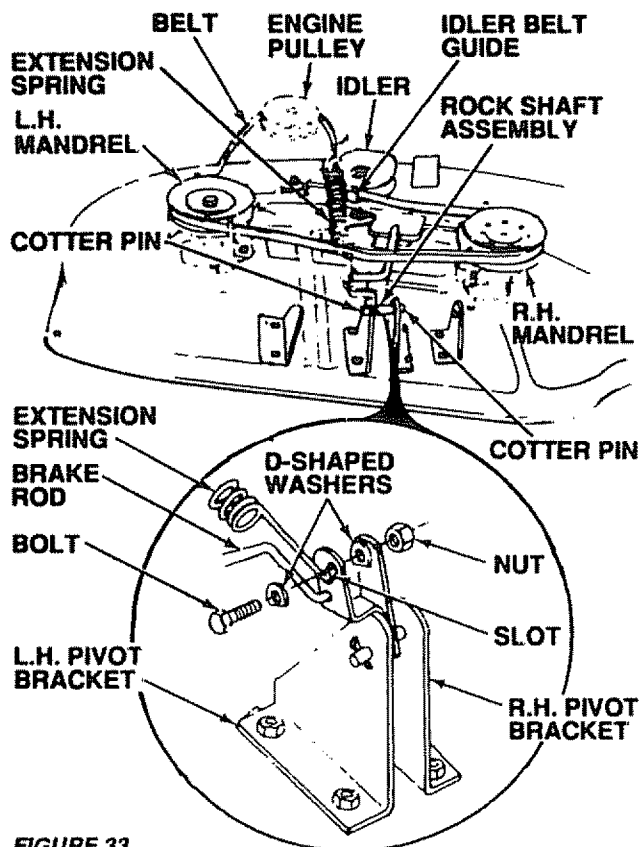


FIGURE 33

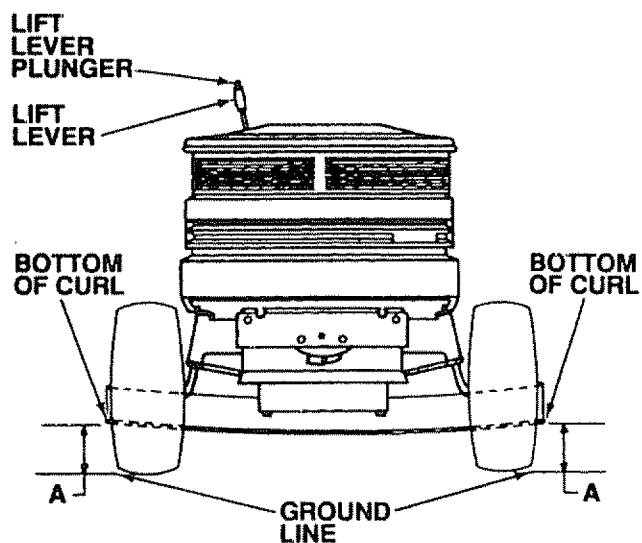


FIGURE 34

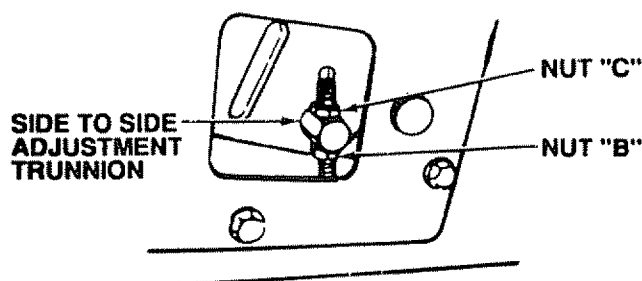


FIGURE 35

23. Mower Drive Belt Removal

NOTE: MOWER BELT INSTALLATION DECAL LOCATED ON MOWER HOUSING.

REPLACE ONLY WITH THE BELTS SPECIFIED IN THIS MANUAL.

- Place attachment clutch lever in "Disengaged" position (Fig. 30).
- Move Attachment lift lever (Fig. 30) forward to lower mower to its lowest position.
- Roll belt off engine pulley.
- Pull belt off both mower deck pulleys.
- Spring belt guide away from idler pulley and pull belt off idler pulley.
- Slide belt from under extension spring.

24. Mower Drive Belt Replacement

- Slide belt under extension spring (Fig. 33).
- Place belt on rear side of both mandrel pulleys.
- Spring idler belt guide down and place belt around rear side of idler pulley.
- Roll belt over engine pulley.
- Make sure belt is inside all belt guides.

NOTE: WHEN INSTALLING A NEW BELT, EXTENSION SPRING MUST BE RETURNED TO LOWER END OF SLOT (ORIGINAL POSITION) ON ROCK SHAFT ASSEMBLY.

25. Mower Drive Belt Adjustment

Your tractor has been manufactured with the ability to readjust the mower drive belt to provide you with longer belt life.

If the attachment clutch lever travels 4-1/2" (11.43 cm) up the slot in the dash before spring resistance is evident, adjustment is necessary. NOTE: CHECK FOR PROPER SPRING TENSION WITH THE ENGINE OFF AND THE LIFT LEVER IN THE HIGHEST POSITION.

- Lower the mower deck for easier access.
- Using (2) 7/16" wrenches, remove the bolt, nut & D-Shaped washers (Fig. 33 - inset).
- Move extension spring from lower end of slot to upper end in rock shaft assembly and install bolt, nut & the D-Shaped washers.
- Tighten bolt and nut to secure the D-shaped washers (flat side down).

26. Level Mower Housing

Adjust the mower while tractor is parked on level ground or driveway. Make sure tire pressure is correct. If tires are over or under inflated, you will not properly adjust your mower.

SIDE-TO-SIDE MOWER ADJUSTMENT

- Depress lift lever plunger and use lift lever to raise mower to maximum cutting height (Fig. 31).
- Measure height from bottom of curl to ground line at front of mower. Distance "A" should be the same on both sides (Fig. 34).
- If distance "A" needs to be changed, snap out access hole cover on L.H. side above footrest. Use 11/16" wrench on nuts "B" and "C" at side-to-side adjustment trunnion (Fig. 35).
- To raise left side of mower, loosen nut "B" and tighten nut "C".
- To lower left side of mower, loosen nut "C" and tighten nut "B".

REPAIR AND ADJUSTMENT

NOTE: ONE ROTATION OF ADJUSTMENT NUTS IS EQUIVALENT TO APPROXIMATELY 3/16" (4.75 mm) HEIGHT CHANGE.

- f. Be sure all nuts are securely tightened.
- g. Replace cover.

FRONT-TO-REAR MOWER ADJUSTMENT

- a. To obtain the best cutting results, your mower housing should be adjusted so the front and rear flange distance "D" (Fig. 36) is 1/2" (1.27 cm) lower in front when the mower is positioned in the highest cutting position.

NOTE: MEASURE DISTANCE "D" FROM GROUND LINE TO BOTTOM OF CURL ON RIGHT REAR FLANGE AND COMPARE TO DISTANCE "D" AT BOTTOM OF CURL ON RIGHT FRONT FLANGE.

- b. To raise rear of mower, loosen nut "E" on both rear suspension arms. Screw both nuts "F" up EQUAL NUMBER OF TURNS (Fig. 37).
- c. When distance "D" is 1/2" (1.27 cm) lower at front than rear tighten nuts "E".
- d. To lower rear of mower, loosen nut "F" on both rear suspension arms an EQUAL NUMBER OF TURNS (Fig. 37).
- e. When distance "D" is 1/2" (1.27 cm) lower at front than rear, retighten nuts "E".

NOTE: WHEN ADJUSTING REAR SUSPENSION TRUNNIONS, ALWAYS ADJUST BOTH EQUALLY SO MOWER WILL STAY LEVEL.

27. Storage

Remove mower from tractor for winter storage. When mower is to be stored for a period of time, clean it thoroughly, remove all dirt, grease, leaves, etc. Give blades and underside of housing a good coat of grease or rust preventative. Store in a clean dry area.

A. Fuel System

It is important to prevent gum deposits from forming in essential fuel system parts such as the carburetor, fuel filter, fuel hose, or tank during storage. Also, experience indicates that alcohol blended fuels (called gasohol or using ethanol or methanol) can attract moisture which leads to separation and formation of acids during storage. Acidic gas can damage the fuel system of an engine while in storage. To avoid engine problems, the fuel system should be emptied before storage of 30 days or longer.

B. Engine Oil

Drain (with engine warm) and replace with clean engine oil, (See chart page 16).

C. Cylinder

1. Remove spark plug.
2. Pour one ounce (29.5 ml) of oil through spark plug hole in to cylinder.
3. Turn ignition key to "START" position for a few seconds to distribute oil.
4. Replace with new spark plug.

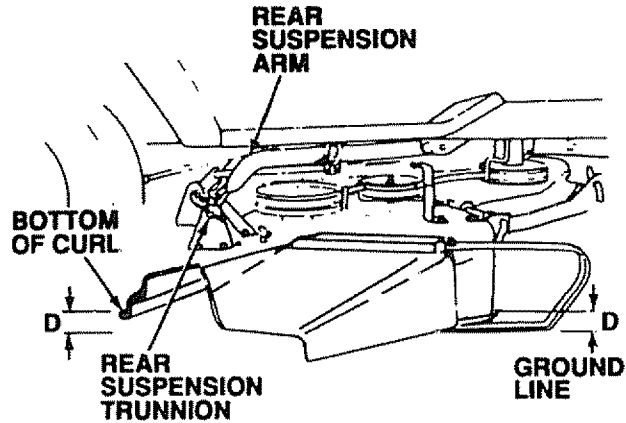


FIGURE 36

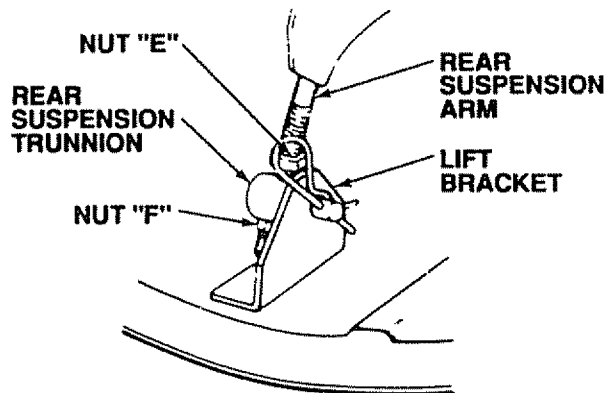


FIGURE 37

D. Battery



LEAD-ACID BATTERIES GENERATE EXPLOSIVE GASES. KEEP SPARKS, FLAME AND SMOKING MATERIALS AWAY FROM BATTERIES. ALWAYS WEAR EYE PROTECTION WHEN AROUND BATTERIES.

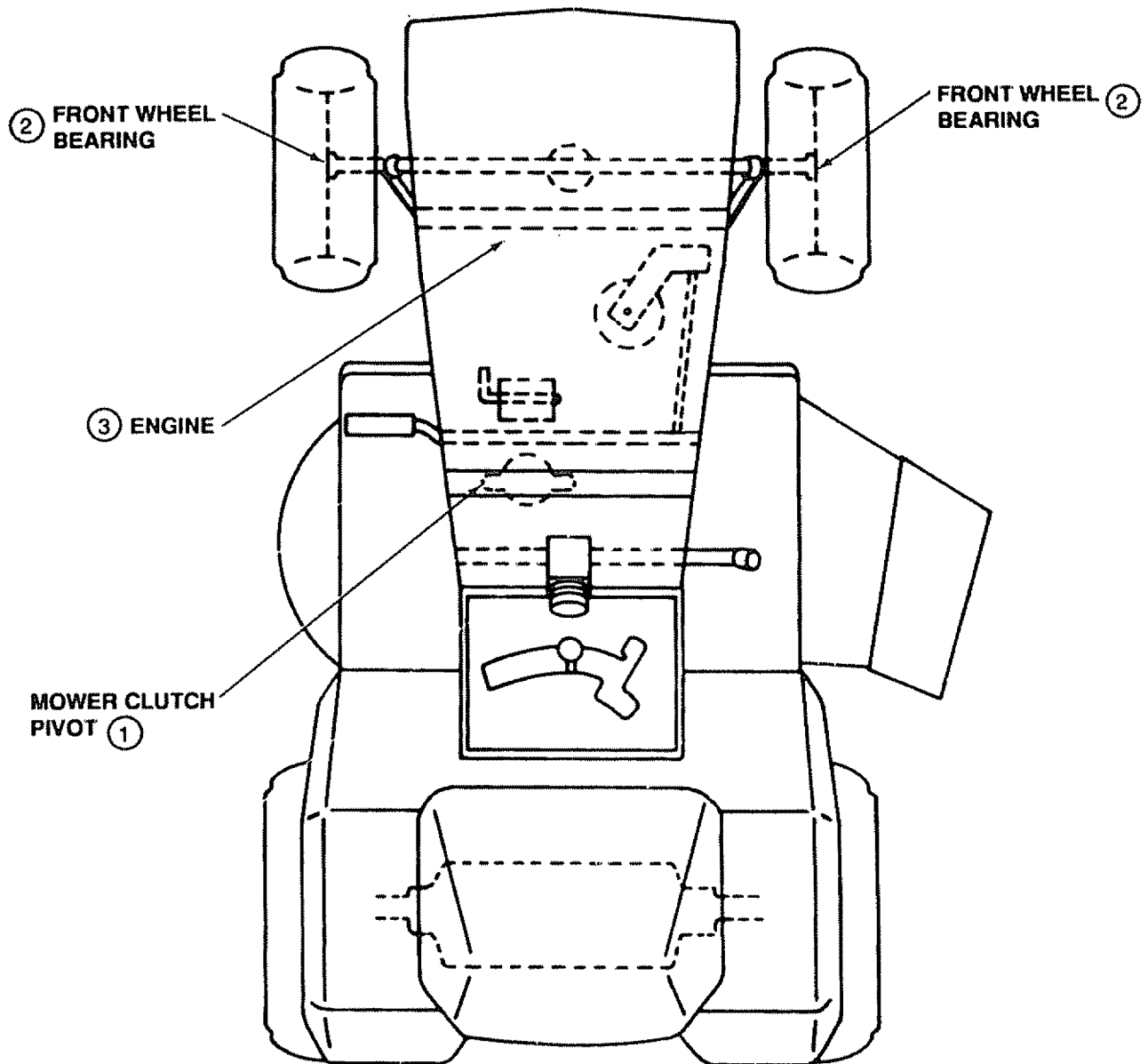
1. Prior to storage, clean terminals and top of battery.
2. Disconnect **BLACK** battery cable from negative side of battery.
3. Disconnect **RED** battery cable from positive side of battery.
4. Position cables down and away from battery.

E. General Cleaning

Clean engine, battery, seat, finish, etc. of all foreign matter.

REPAIR AND ADJUSTMENT

LUBRICATION CHART



- ① SAE 30 MOTOR OIL
- ② GENERAL PURPOSE GREASE
- ③ REFER TO PAGE 16 FOR ENGINE OIL SPECIFICATIONS

TROUBLE SHOOTING

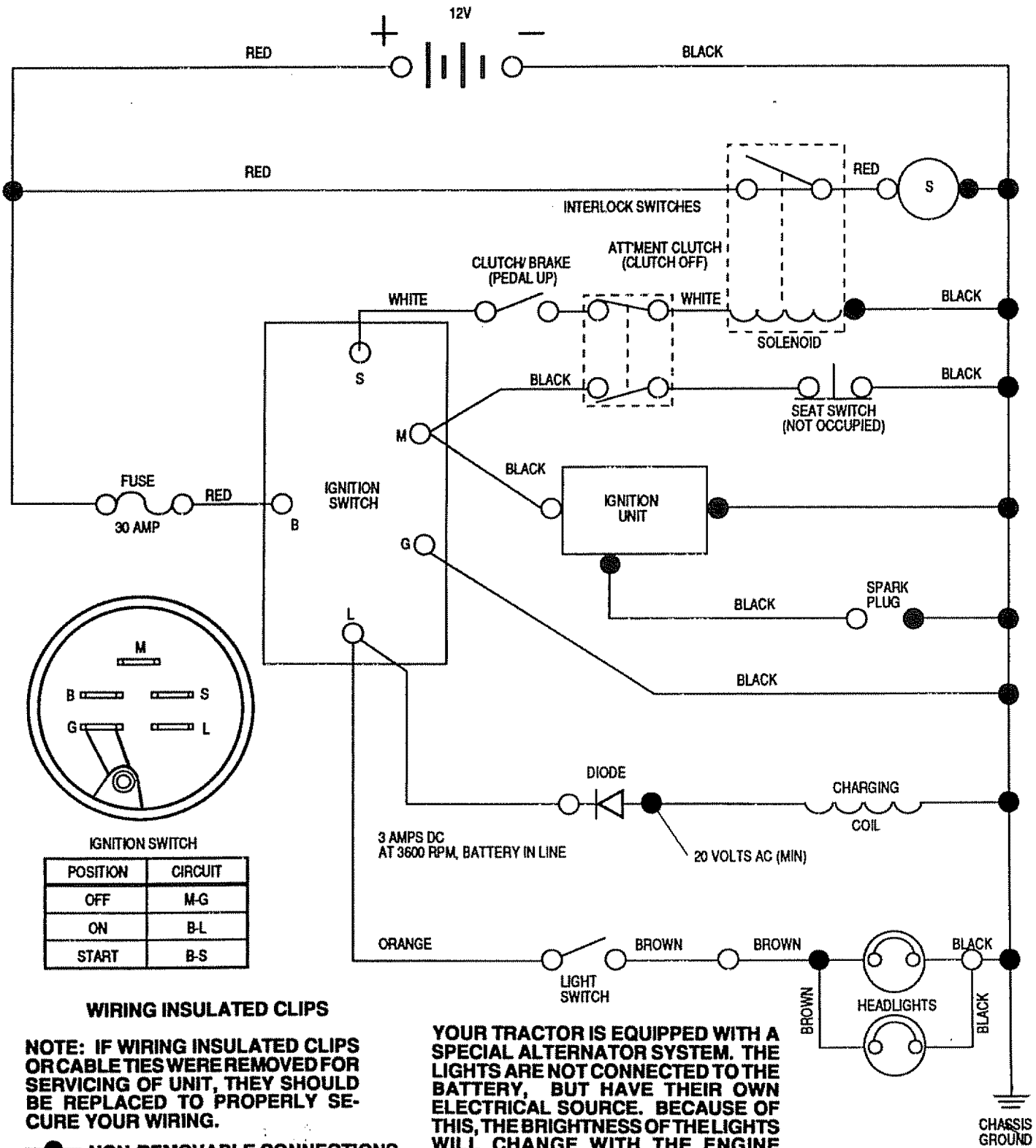
PROBLEM ➔ Cause/Remedy

WILL NOT START	<ul style="list-style-type: none">➔ Push Clutch/Brake Pedal into Brake position➔ Move Attachment Clutch Lever to "Disengaged" position➔ Fill Tank with Gasoline. Check Fuel Line and Carburetor (clean if necessary). Replace Fuel Filter. Use Fresh Fuel➔ Check Fuse for fault and replace➔ Recharge or replace Battery➔ Check Wiring➔ Replace Spark Plug(s) and adjust gap➔ Adjust Valves
WILL NOT TURN OVER	<ul style="list-style-type: none">➔ Push Clutch/Brake Pedal into brake position➔ Charge or replace Battery➔ Move Mower Clutch Lever to "DISENGAGED" position➔ Replace Ignition Switch➔ Replace Interlock Switch(es)➔ Replace Solenoid or Starter➔ Check for fault and replace Fuse➔ Check all Wire Connections and "Ground" Points
ENGINE CLICKS BUT WON'T START	<ul style="list-style-type: none">➔ Clean Battery Terminals➔ Replace Starter or Solenoid➔ Charge or Replace Battery➔ Check Wire Connections and "Ground" Points
HARD TO START	<ul style="list-style-type: none">➔ Place Throttle Control in "FAST" position and run starter several times to clear out gas➔ Remove Air Filter and clean➔ Replace Spark Plug(s) and adjust gap➔ Recharge or replace Battery➔ Check the Wiring➔ Drain Fuel Tank and Carburetor. Use Fresh Fuel. Replace Fuel Filter➔ Make necessary adjustments to Carburetor➔ Adjust Valves➔ Major Engine Overhaul
ENGINE MISSES OR LACKS POWER	<ul style="list-style-type: none">➔ Shift to a lower gear or reduce load➔ Drain Gas Tank and Carburetor. Use Fresh Fuel➔ Remove and clean Air Cleaner➔ Make necessary Carburetor adjustments➔ Clean Air Screen➔ Add or change oil➔ Replace Spark Plug(s) and adjust gap➔ Check for loose wires➔ Replace Fuel Filter➔ Adjust Valves➔ Major Engine Overhaul
ENGINE OVERHEATS	<ul style="list-style-type: none">➔ Shift to lower gear or reduce load➔ Clean Air Screen➔ Add or change oil➔ Clean Engine Cooling Fins➔ Remove and clean Muffler or replace➔ Remove and clean Air Filter

TROUBLE SHOOTING

NO LIGHTS	<ul style="list-style-type: none">☛ Use fresh fuel and adjust Carburetor☛ Drain and replace oil for proper temperature☛ Check Fuse, Switch and Wire Connections. Replace Headlight Bulbs☛ Replace Switch
WON'T CHARGE	<ul style="list-style-type: none">☛ Check Fuse for fault and replace☛ Replace Battery☛ Replace Regulator☛ Replace Alternator
ENGINE WILL NOT SHUT DOWN WHEN OPERATOR LEAVES SEAT	<ul style="list-style-type: none">☛ NOTE: This tractor is equipped with an operator presence sensing system. Any attempt by the operator to leave the seat with the engine running and the mower clutch engaged will shut down the engine.☛ Check all Wire connections☛ Check Seat Switch☛ Check Operator Presence Relay
UNSATISFACTORY MOWER PERFORMANCE	
UNEVEN DISTRIBUTION OF CLIPPINGS	<ul style="list-style-type: none">☛ Place Throttle Control in "FAST" position☛ Check air pressure in Tires☛ Check front-to-rear and side-to-side Mower adjustment☛ Use a slower ground speed☛ Replace Mower Blades☛ Reinstall Mower Blades with Sharp Edge down☛ Replace with proper Mower Blades☛ Readjust Mower Drive Belt☛ Clean underside of Mower Deck
MOWER BLADES WILL NOT ROTATE	<ul style="list-style-type: none">☛ Correct Clutch mechanism interference☛ Install new Mower Drive Belt☛ Adjust Mower Drive Belt☛ Replace frozen Mandrel☛ Replace frozen Idler Pulley
EXCESSIVE MOWER VIBRATION	<ul style="list-style-type: none">☛ Replace bent or unbalanced Blades☛ Replace Mandrel. Replace Deck
WINDROWING STRIPPING OR DROPPING OF GRASS CLIPPINGS	<ul style="list-style-type: none">☛ Set Throttle for maximum engine speed☛ Let grass dry out☛ Clean underside of Mower Deck☛ Readjust Mower front-to-rear and side-to-side☛ Replace Blades
UNEVEN CUT OR SCALPING	<ul style="list-style-type: none">☛ Readjust Mower front-to-rear and side-to-side☛ Replace Blades☛ Replace bent Mandrel(s)

12 HP 38" RIDING LAWN TRACTOR - - MODEL NUMBER 917.254611 SCHEMATIC



WIRING INSULATED CLIPS

NOTE: IF WIRING INSULATED CLIPS OR CABLE TIES WERE REMOVED FOR SERVICING OF UNIT, THEY SHOULD BE REPLACED TO PROPERLY SECURE YOUR WIRING.

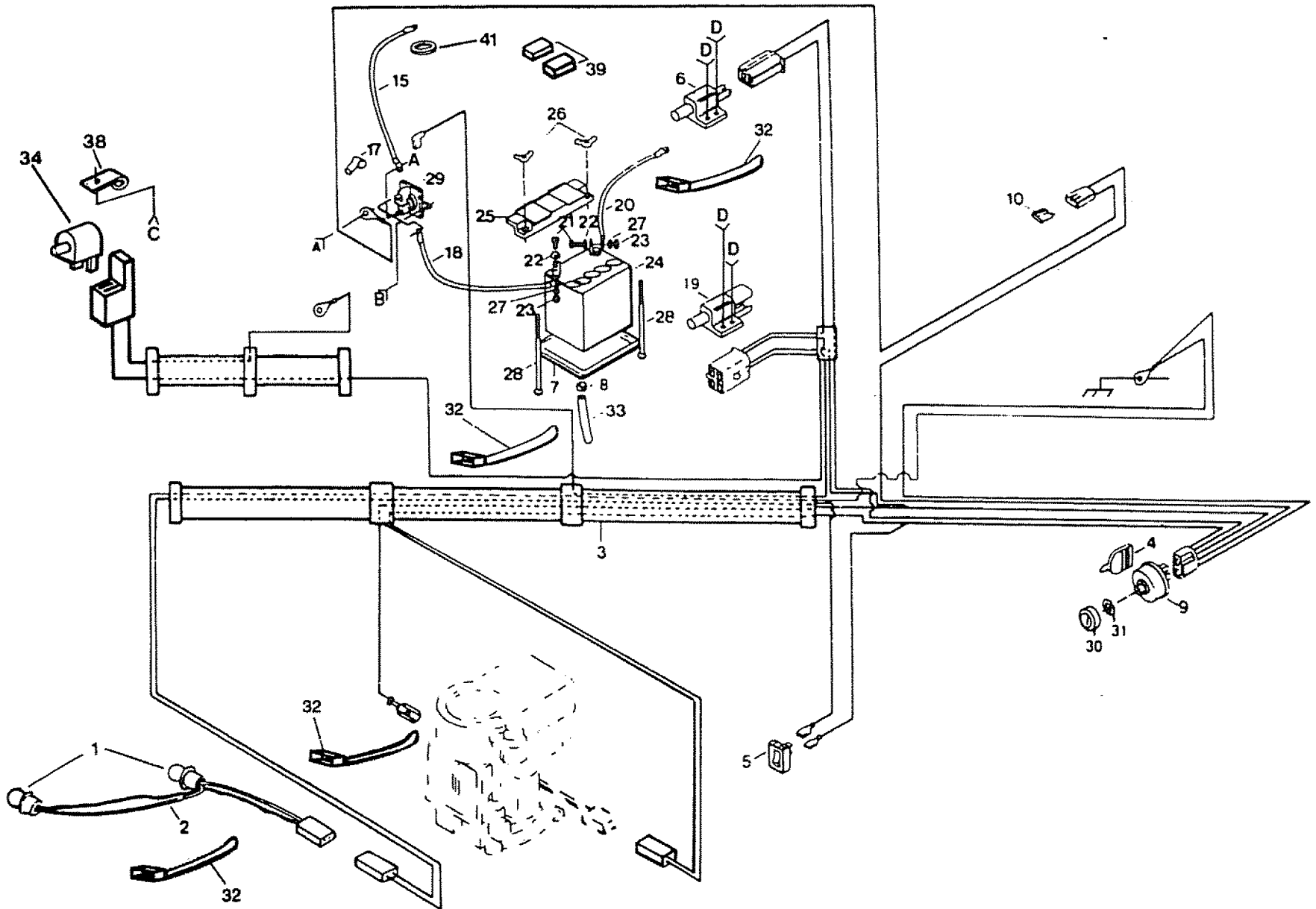
- NON-REMOVABLE CONNECTIONS
- REMOVABLE CONNECTIONS

YOUR TRACTOR IS EQUIPPED WITH A SPECIAL ALTERNATOR SYSTEM. THE LIGHTS ARE NOT CONNECTED TO THE BATTERY, BUT HAVE THEIR OWN ELECTRICAL SOURCE. BECAUSE OF THIS, THE BRIGHTNESS OF THE LIGHTS WILL CHANGE WITH THE ENGINE SPEED. AT IDLE SPEED, THE LIGHTS WILL DIM. AS THE ENGINE IS SPEEDED UP, THE LIGHTS WILL BECOME THEIR BRIGHTEST.

REPAIR PARTS

12 HP 38" RIDING LAWN TRACTOR - - MODEL NUMBER 917.254611

ELECTRICAL



28

REPAIR PARTS

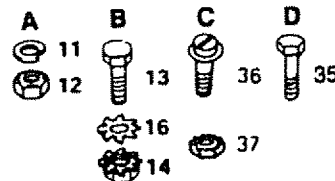
12 HP 38" RIDING LAWN TRACTOR - - MODEL NUMBER 917.254611 ELECTRICAL

29

KEY NO.	PART NO.	DESCRIPTION	KEY NO.	PART NO.	DESCRIPTION
1	7662J	Bulb, Light	28	72240460	Bolt - Rd. Hd. Sq. Nk. 1/4 - 20 x 7-1/12
2	124108X	Harness, Light Socket	29	109081X	Solenoid
3	126399X	Harness, Wiring	30	109787X	Bezel - Ignition
4	109310X	Key, Molded	31	109788X	Nut, Ignition
5	110712X	Switch, Light	32	7192J	Cable Tie
6	104445X	Switch, Interlock	33	105687X	Tube, Plastic
7	7603J	Tray, Battery	34	121305X	Switch, Plunger
8	109596X	Clamp, Hose	35	STD601005	• Screw, Tap Hex Hd. #10 x 24 UNC
9	STD365402	• Switch, Ignition	36	74641008	• Screw - Slotted Pan Hd. No. 10-32 x 1/2
10	108824X	Fuse, 30 Amp	37	73951000	Nut - Keps No. 10-32 x 1/2
11	STD551125	• Washer, Lock, 1/4	38	4171R	Clip - Insulated
12	STD541225	• Nut, Hex Jam 1/4 - 20	39	121264X	Battery Caps Set
13	STD522505	• Bolt, Hex, 1/4 - 20 x 1/2 Gr. 5	41	11150400	Lockwasher 1/4 Internal Tooth
14	STD541425	• Nut, Keps 1/4 - 20	---	101539X	Sheet, Instruction, Tractor, 15°
15	108423X	Cable Assembly	---	126795X	Owner's Manual
16	11050400	Washer Lock, Ext. Tooth, 1/4			
17	719J	Cover, Terminal			
18	5114J	Cable, Battery			
19	109553X	Switch, Interlock			
20	4207J	Cable, Battery			
21	STD522507	• Bolt, Hex, 1/4 - 20 x 3/4			
22	STD551025	• Washer 9/32 x 5/8 x 16 Ga.			
23	STD541025	• Nut, Hex 1/4-20			
24	121265X	Battery, 12V., 25 Amp			
25	102476X	Terminal Guard			
26	123198X	Wing Nut 1/4-20			
27	STD551125	• Washer, Lock Hvy Helical Spring			

NOTE: All component dimensions given in U.S. inches.
1 inch = 25.4 mm.

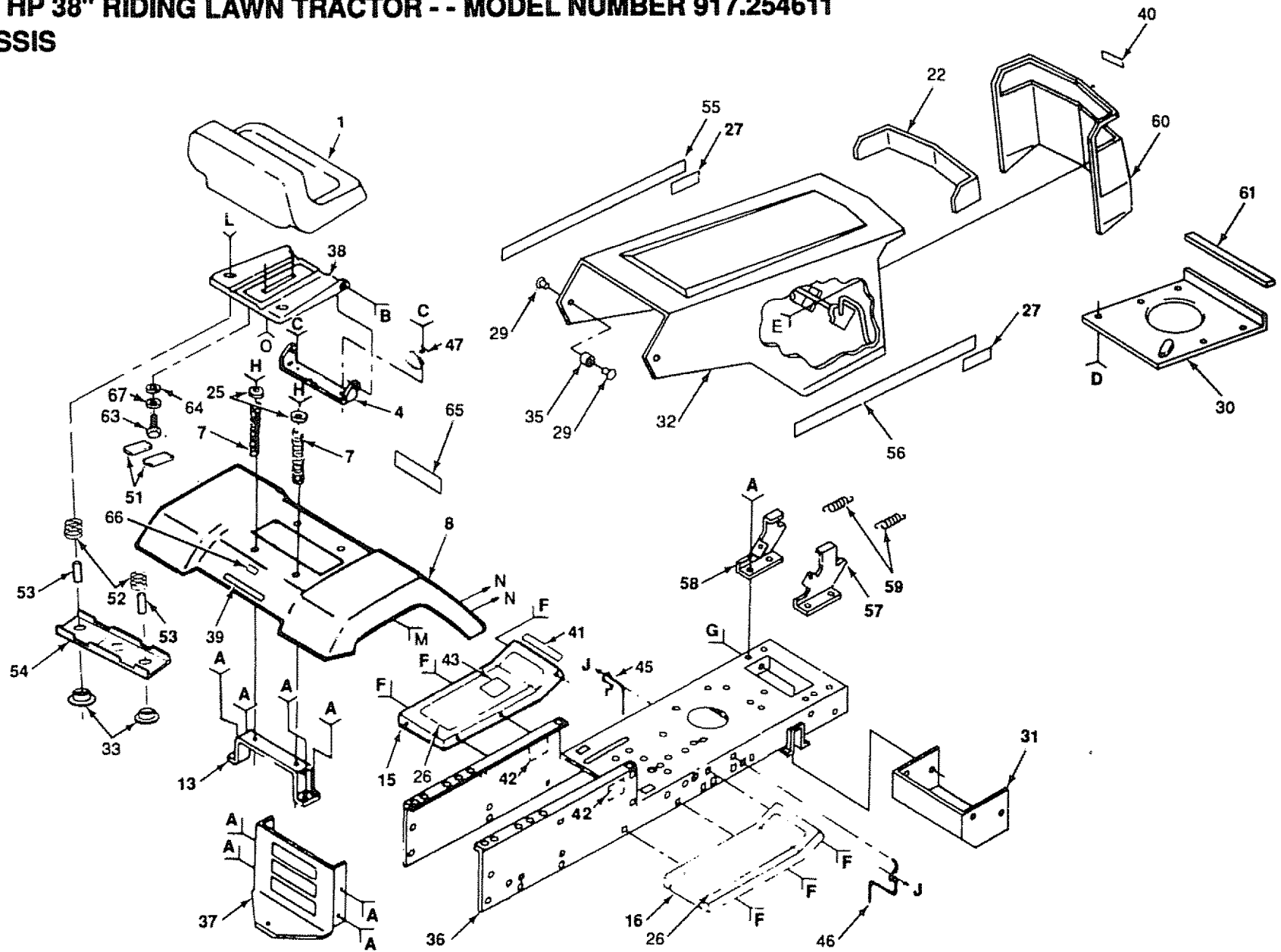
*STANDARD HARDWARE--PURCHASE LOCALLY



REPAIR PARTS

12 HP 38" RIDING LAWN TRACTOR -- MODEL NUMBER 917.254611 CHASSIS

30



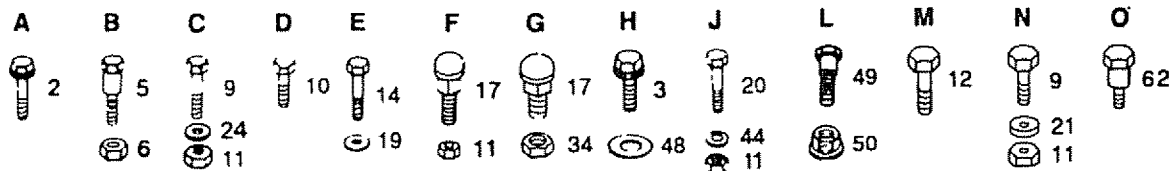
REPAIR PARTS

12 HP 38" RIDING LAWN TRACTOR - - MODEL NUMBER 917.254611 CHASSIS

KEY NO.	PART NO.	DESCRIPTION	KEY NO.	PART NO.	DESCRIPTION
1	121075X	Seat	35	124479X	Washer, Black, Nylon
2	17490612	Screw, Hex Washer Thd. Roll 3/8 16 x 3/4	36	124355X	Chassis Assembly
3	17490616	Screw, Hex Washer Thd. Rolling 3/8 16 1	37	121306X	Drawbar
4	105513X	Bracket-Pivot, Seat	38	124294X	Pan - Seat
5	105529X	Bolt, Shoulder, 5/16 18	39	125880X	Decal Fender
6	73680500	Nut Crownlock 5/16 18	40	124492X	Decal, Grill, Craftsman
7	124181X	Spring, Seat	41	4900J	Decal, Clutch/Brake
8	109872X	Fender	42	105809X	Decal, Chassis, 5 Speed, 38"
9	STD523707	• Bolt, Fin Hex 3/8 x 16 UNC x 3/4	43	109199X	Decal, V-Belt Ground Drive
10	17030808	Screw, Spiderlock Hex #8 x 1/2 AB	44	19132012	Washer 13/32 x 1-1/4 x 12 Ga.
11	73680600	Nut, Crownlock 3/8 16	45	121440X	Guide Belt, Lower, Eng. Pulley, L.H.
12	17490608	Screw, Hex Washer Thd Roll 3 8 16 x 1 2	46	121441X	Guide Belt, Lower, Eng. Pulley, R.H.
13	109873X	Bracket, Fender	47	2751R	Clip
14	STD512505	• Bolt, Fin Hex 1/4 x 20 UNC x 1/2	48	19131614	Washer 13/32 x 1 x 14 Ga.
15	105465X	Footrest, L H	49	72170410	Bolt, RdHd 1/4 x 20 x 1-1/4
16	105464X	Footrest, R.H	50	123976X	Nut, Hex, Lg., Flange, Loc.
17	STD533707	• Bolt, RdHdSqNk 3/8 x 16 UNC x 3/4	51	121251X	Strip, Foam
19	STD551125	• Washer, Lock, Hvy Helical Spring	52	121250X	Spring, Seat, Compression
20	STD523710	• Bolt, Fin Hex 3/8 x 16 UNC x 1	53	121249X	Spacer, Split
21	19131312	Washer 13/32 x 13/16 x 12 Ga.	54	121246X	Bracket, Switch Mount
22	124029X	Lens Assembly	55	124489X	Decal Stripe Hood L.H.
24	19131210	Washer 13 32 x 3-4 x 10 Ga	56	124490X	Decal Stripe Hood R.H.
25	124238X	Cap, Spring	57	123913X	Bracket, Pivot, R.H.
26	105466X	Pad, Footrest	58	123914X	Bracket, Pivot, L.H.
27	124493X	Decal, 12 HP	59	124040X	Spring, Extension
29	122933X	Rivot, Ratchet, Nylon	60	123915X	Grill
30	124027X	Shield, Hood, Heat	61	105037X	Foam, Strip 18
31	123665X	Deflector, Heat	62	121144X	Bolt, Shoulder
32	124025X	Hood Assembly	63	STD525010	• Bolt, Fin Hex 1/2 - 13 UNC x 1 Gr. 5
33	121248X	Bushing, Snap	64	19171912	Washer 17/32 x 1-3/16 x 12 Ga.
34	STD541437	• Nut, Crownlock 3/8 x 16 UNC	65	106974X	Decal, Caution
			66	750211	Decal, USA
			67	STD551150	• Washer, Lock Hvy. Helical Spring

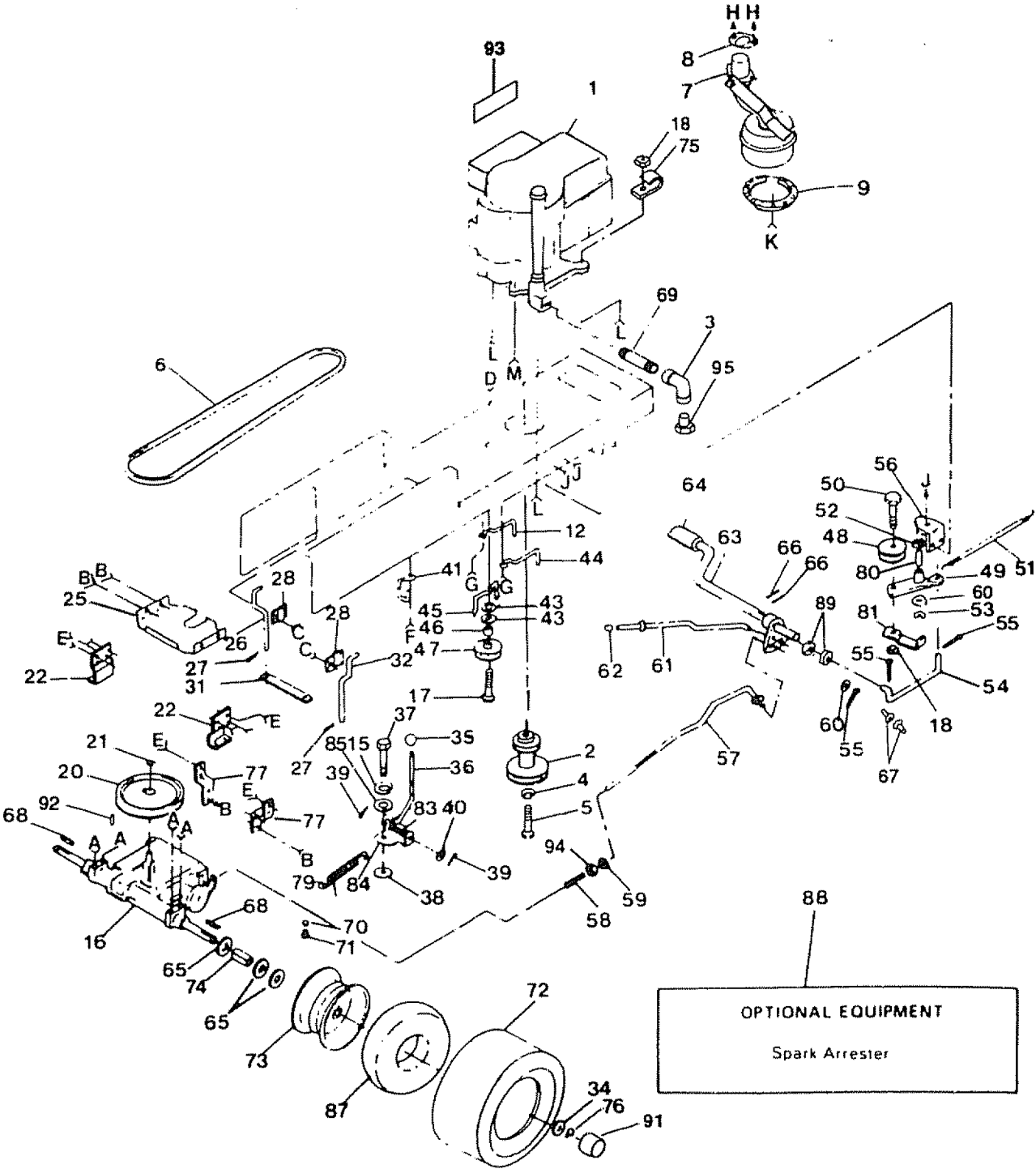
NOTE: All component dimensions given in U.S. inches.
1 inch = 25.4 mm.

*STANDARD HARDWARE - PURCHASE LOCALLY



REPAIR PARTS

12 HP 38" RIDING LAWN TRACTOR - - MODEL NUMBER 917.254611 DRIVE

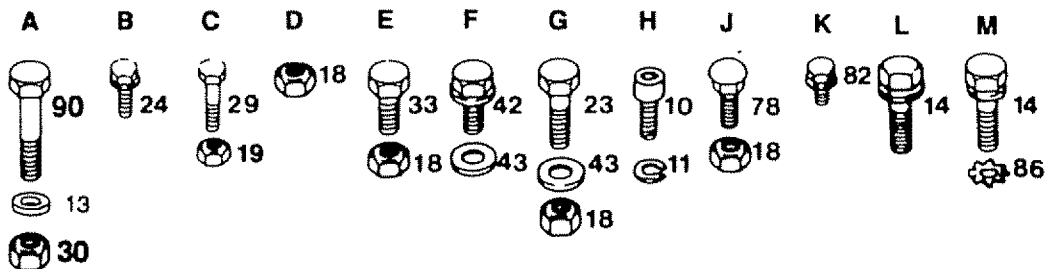


REPAIR PARTS

12 HP 38" RIDING LAWN TRACTOR - - MODEL NUMBER 917.254611 DRIVE

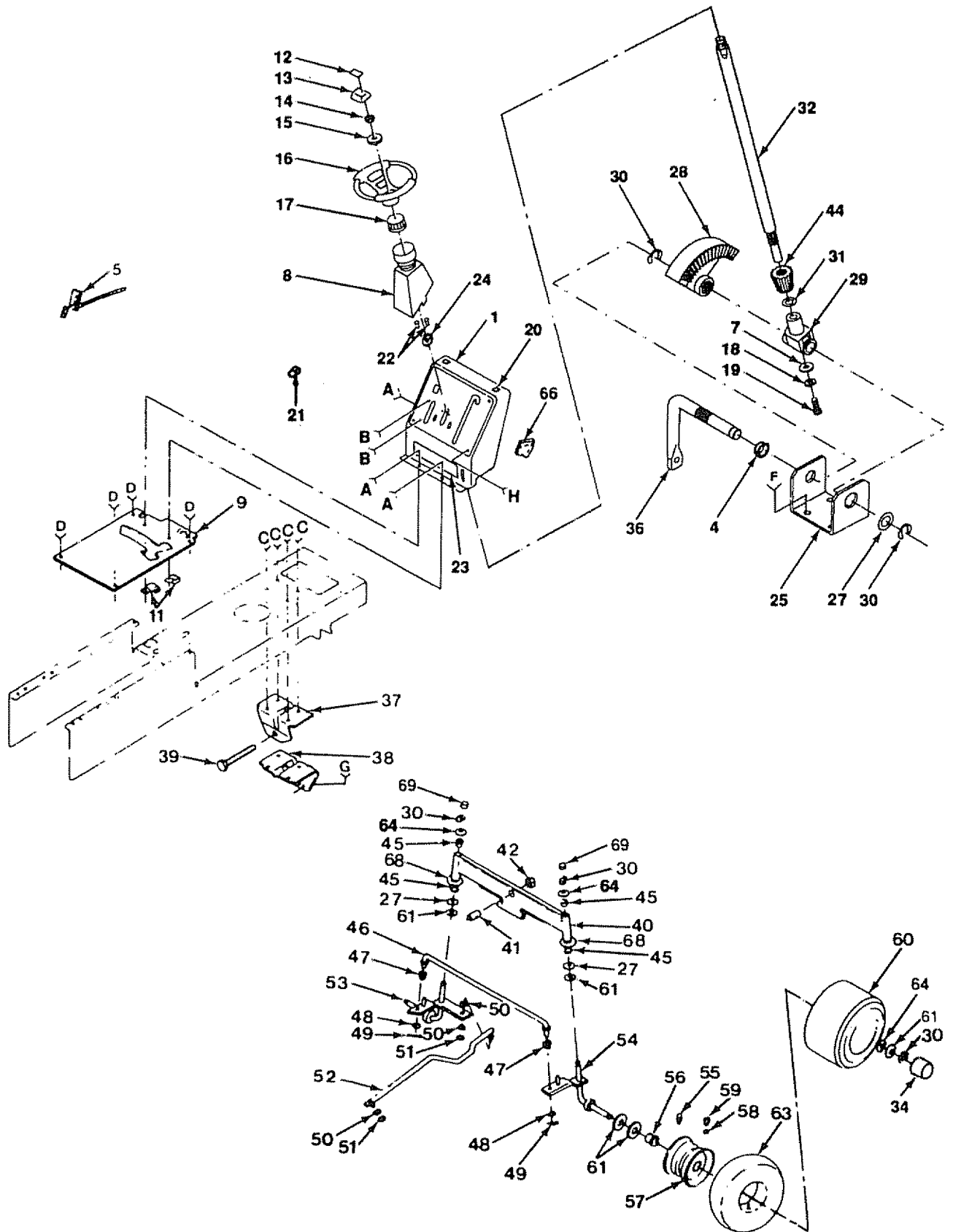
KEY NO.	PART NO.	DESCRIPTION	KEY NO.	PART NO.	DESCRIPTION
1	126126X	Engine, 12 HP, Tecumseh, Model Number 143.406152	48	123766X	Pulley, Idler
2	105731X	Pulley, Engine	49	123789X	Arm, Idler
3	13200300	Elbow - STD 90 3/8 - 18 NPT	50	STD523715	* Bolt, Hex 3/8 16 x 1 1/2
4	STD551143	* Washer, Lock, Hvy Helical Spring	51	105709X	Spring, Return, Clutch
5	74770720	Bolt, Hex 7/16-20 x 1 1/4	52	110812X	Washer, Hardened
6	125907X	V-Belt, Drive	53	12000039	Ring, Klip
7	122983X	Muffler	54	105710X	Link, Clutch
8	2949R	Gasket	55	STD561210	* Pin Cotter 1/8 x 3/4
9	101326L	Deflector, Muffler	56	123102X	Bracket, Clutch
10	123528X	Screw, Hex Head Cap	57	110437X	Rod, Brake
11	STD551131	* Washer, Lock 5/16	58	106888X	Spring, Rod, Brake
12	121218X	Keeper, Belt, Engine	59	73350600	Nut, Jam 3/8 16
13	STD551031	Washer 11/32 x 11/16 x 16 Ga.	60	19131316	Washer 13/32 x 13 16 x 16 Ga
14	17490620	Screw, Hex Washer Thd. Rolling 3/8 x 16 x 1-1/2	61	125638X	Rod, Brake, Parking
15	STD551125	* Washer, Lock, Hvy. Helical Spring	62	124236X	Cap, Plunger
16	122372X	Transaxle, Tecumseh 5 Speed, 143.920037 (See pages 40 and 41)	63	122424X	Shaft, Foot Pedal
17	STD523727	* Bolt, Hex 3/8-16 x 2-3/4	64	8883R	Cover, Pedal
18	STD541437	* Nut, Crownlock 3/8 16	65	121749X	Washer 25/32 x 1 1/4 x 16 Ga
19	73680500	Nut, Crownlock 5/16 x 18	66	STD571810	* Pin, Roll 3/16 x 1
20	123666X	Pulley, Transaxle	67	120183X	Bearing, Nylon
21	12000028	Ring, Retainer	68	123583X	Key, Square, 2.5 x .1845/.1865
22	109167X	Bracket, Transaxle	69	13280324	Nipple, Pipe 3/8 NPT 3"
23	STD523710	* Bolt, Hex 3/8-16 x 1	70	59192	Cap, Valve
24	17490512	Screw, Hex Washer Thread Rolling 5/16-18 x 3/4	71	65139	Stem, Valve
25	108171X	Support, Battery	72	3588R	Tire, Rear
26	123662X	Keeper, Belt, L H	73	106108X	Rim Assembly, 8", Rear
27	4921H	Retainer, Spring	74	109501X	Spacer
28	106190X	Clamp	75	2751R	Clip, Fuel Line
29	STD523107	* Bolt, Hex 5/16-18 x 3/4	76	12000001	E Ring
30	STD541437	* Nut, Crownlock 5/16 x 16	77	121520X	Strap, Torque, Transaxle
31	123770X	Strap, Locator	78	STD533707	* Bolt, Carriage 3/8-16 x 3/4
32	123663X	Keeper, Belt, R H	79	110422X	Spring, Brake
33	STD523707	* Bolt, Hex 3/8-16 x 3/4	80	105706X	Bearing
34	121748X	Washer 25/32 x 1 5/8 x 16 Ga	81	123205X	Retainer, Belt
35	106933X	Knob, Shift	82	17030808	Screw, Spider Lock No 8-18 x 1/2 ABTPS
36	124379X	Rod, Shift	83	105700X	Spring
37	71040412	Bolt, Hex 1/4-28 x 3/4	84	108843X	Plate, Shift
38	105701X	Washer, Shift Plate	85	19091210	Washer 9/32 x 3/4 x 10 Ga
39	STD561210	* Cotter Pin, 1/8 x 1	86	11050600	Washer, Lock Ext Tooth 3/8
40	19151216	Washer 15/32 x 3/4 x 16 Ga	87	7152J	Tube, Tire (not furnished with tractor)
41	104777X	Retainer, Belt	88	121851X	Spark Arrester
42	17490612	Screw, Hex Washer Thd. Rolling 3/8 16 x 3/4	89	STD551062	* Washer 21/32 x 1 x 16 Ga.
43	19131312	Washer 13/32 x 13/16 x 12 Ga	90	74760540	Bolt, Hex 5/16 x 16 x 2-1/2
44	105730X	Keeper, Belt, Engine	91	104757X	Cap, Hub
45	109070X	Retainer, Belt	92	STD580025	* Key, Woodruff #9 3/16 x 3/4
46	4470J	Spacer	93	126629X	Decal, Craftsman/Tecumseh 12 HP
47	123674X	Idler Flat	94	STD541437	* Nut, Lock Hex w/wsh ins 3/8 - 16
			95	---	See Key No. 72, Page 43

* STANDARD HARDWARE - PURCHASE LOCALLY
NOTE: All component dimensions given in U.S. inches.
1 inch = 25.4 mm.



REPAIR PARTS

12 HP 38" RIDING LAWN TRACTOR -- MODEL NUMBER 917.254611 STEERING AND FRONT AXLE



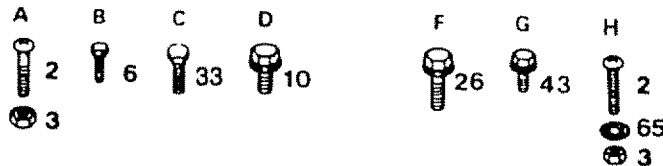
REPAIR PARTS

12 HP 38" RIDING LAWN TRACTOR - - MODEL NUMBER 917.254611 STEERING AND FRONT AXLE

KEY NO.	PART NO.	DESCRIPTION	KEY NO.	PART NO.	DESCRIPTION
1	123042X012	Dash	36	124033X	Shaft, Pitman
2	74180512	Screw Truss Hd 5/16-18 x 3/4	37	105663X	Support Saddle Rear
3	73510500	Nut - Keps 5/16 18	38	105664X	Support Saddle Front
4	109816X	Nyliner Snap In	39	74761060	Bolt Hex 5/8 11 x 3 3 4
5	124434X	Control Throttle	40	105669X	Axle Front
6	17720410	Screw, Hex Thread Cut 1/4 x 20 x 5/8	41	110438X	Spacer Bearing Front Axle
7	126684X	Washer 5/8 x 1/4 x 16 Ga.	42	73901000	Nut Lock Flange 5 8 11
8	124417X	Boot, Steering Shaft	43	17490508	Screw Hex Washer Thread Rolling 5 16 18 x 1 2 Type TT
9	124466X011	Saddle	44	124037X	Gear, Pinion
10	17490608	Screw Hex Washer Hd Thread Rolling 3/8 16 x 1 2	45	3366R	Bearing
11	2751R	Clip Insulated	46	105715X	Rod Tie
12	125879X	Decal Steering Wheel Cap	47	120754X	Bushing
13	100710L	Insert Steering Wheel	48	19131416	Washer 13 32 x 7 8 x 16 Ga
14	STD541350	Nut Hex Jam Lock 1 2 20	49	76020412	Pin Cotter 1 8 x 3 4
15	100712K	Washer 2-1/4	50	STD551137	Washer Lock 3 8
16	100713N	Wheel Steering	51	73610600	Nut, Fin Hex 3/8 x 24 UNF
17	100711L	Adapter Steering Wheel	52	124032X	Link Drag
18	STD551125	Lockwasher 1/4	53	105656X	Spindle L H
19	71070410	Screw, Socket Hex 1/4 x 20 x 5/8	54	105654X	Spindle R H
20	124030X	Bumper, Hood	55	278H	Fitting Grease
21	5479J	Plug, Button	56	9040H	Bearing Flange
22	STD611005	Screw Hex Self Tap No 10 16 x 1 2 Type ABTPS	57	106732X	Rim 6 Front (Inc 2 Each Key No 56)
23	108456X	Decal Instruction Operating	58	59192	Cap Valve
24	124373X	Bushing Steering	59	65139	Stem Valve
25	124036X	Bracket Steering	60	106222X	Tire, Front
26	17490612	Screw Hex Washer Thread Rolling 3 8 16 x 3 4 Type TT	61	121749X	Washer 25 32 x 1 1 4 x 16 Ga
27	6266H	Bearing Thrust	63	59904	Tube Front (Not furnished with tractor)
28	124034X	Gear Sector	64	121748X	Washer 25/32 x 1-5/8 x 16 Ga.
29	124035X	Shaft, Support	65	STD551231	Washer Lock Int Tooth 5 16
30	12000029	Klip Ring	66	110307X	Stop, Mower Clutch
31	57079	Washer, Hardened	68	19272016	Washer 27 32 x 1 1 4 x 16 Ga
32	124038X	Shaft, Steering, Lower	69	121232X	Cap, Spindle
33	122819X	Screw, Special			
34	104757X	Cap, Hub			

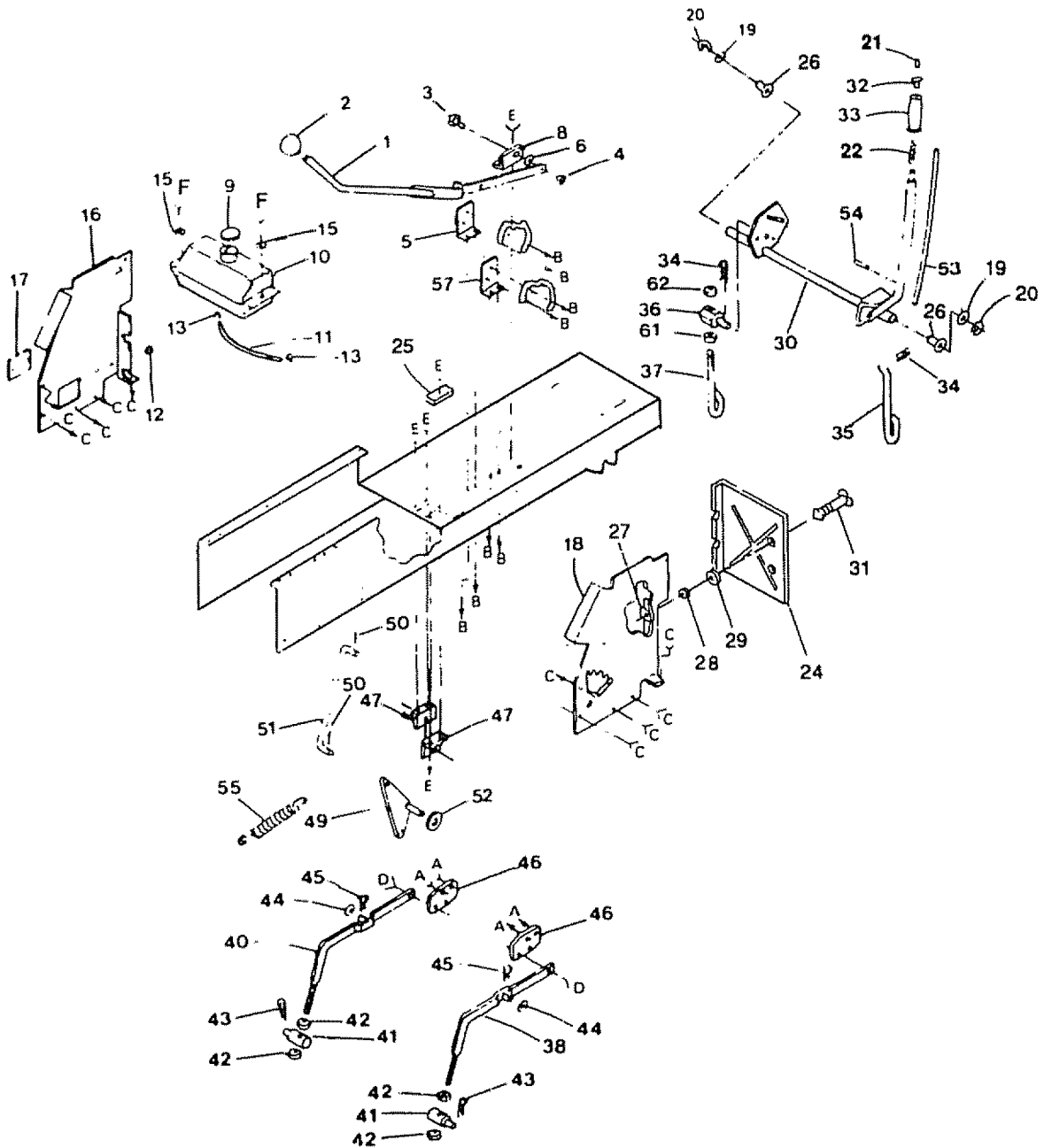
*STANDARD HARDWARE PURCHASE LOCALLY

NOTE: All component dimensions given in U.S. inches.
1 inch = 25.4 mm.



REPAIR PARTS

12 HP 38" RIDING LAWN TRACTOR -- MODEL NUMBER 917.254611 LIFT ADJUSTMENT

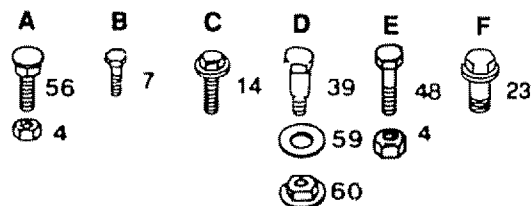


REPAIR PARTS

12 HP 38" RIDING LAWN TRACTOR - - MODEL NUMBER 917.254611 LIFT ADJUSTMENT

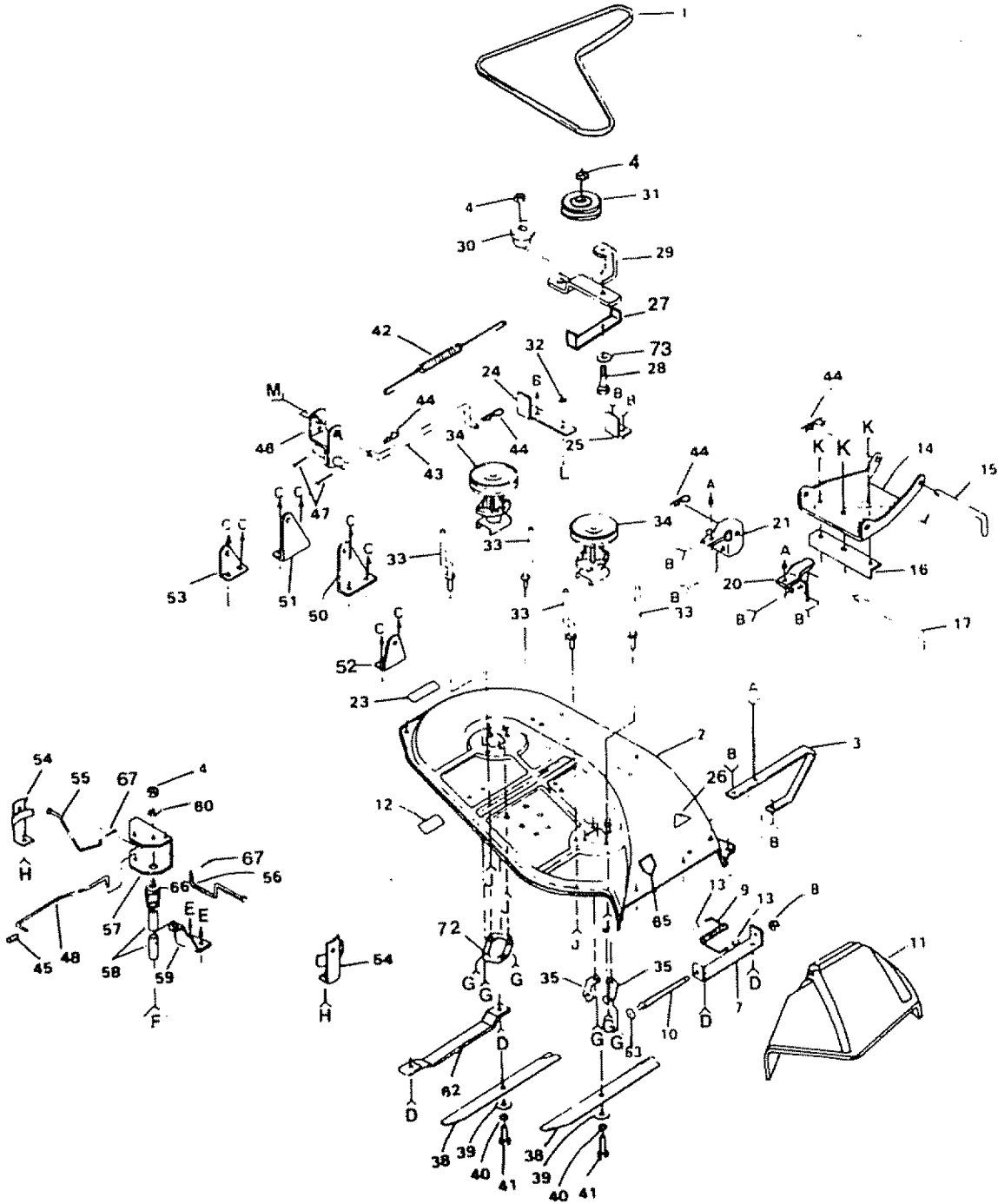
KEY NO.	PART NO.	DESCRIPTION	KEY NO.	PART NO.	DESCRIPTION
1	124429X	Handle Clutch Mower	32	122364X	Plunger
2	106932X	Knob	33	125631X	Grip Handle
3	106451X	Bolt Shoulder	34	4939M	Retainer Spring
4	73680600	Nut Crownlock 3/8 16	35	110029X	Link Lift
5	106452X	Bracket Switch Interlock	36	110447X	Trunnion Lift
6	19171516	Washer 17/32 x 15/16 x 16 Ga.	37	110448X	Link Lift Adjustable
7	17021008	Screw Hex Tapping No 10 24 x 1 2	38	121598X	Arm Suspension R H
8	106447X	Support Lever Clutch	39	105848X	Bolt Shoulder 3 8 16
9	123549X	Cap Fuel	40	121599X	Arm Suspension L H
10	109202X	Tank Fuel	41	106308X	Trunnion Lift Lower
11	101335K	Line Fuel	42	STD541050	Nut Hex 1 2 13
12	124028X	Grommet	43	9135R	Retainer Spring
13	123487X	Clamp Hose	44	19171516	Washer 17 32 x 15 16 x 16 Ga
14	17490612	Screw, Hex Washer Thd. Rolling 3/8 x 16 x 3/4	45	4921H	Retainer Spring
15	19091416	Washer 9/32 x 7/8 x 16 Ga.	46	105864X	Bracket Suspension
16	122795X	Panel Dash L H	47	106444X	Bracket Bellcrank
17	121794X	Cover Access	48	STD523707	Bolt Hex 3 8 16 x 3 4
18	124031X012	Panel Dash R H	49	109728X	Bellcrank Assembly
19	19211416	Washer 21/32 x 7/8 x 16 Ga.	50	STD561210	Pin Cotter 1 8 x 3 4
20	STD581062	E Ring	51	124444X	Rod Clutch Primary
21	122365X	Button, Plunger	52	19131410	Washer 13 32 x 7 8 x 10 Ga
22	122512X	Spring, Compression	53	122514X	Rod Assembly Lever
23	17490412	Screw, Hex Washer Thd. Rolling 1/4 - 20 x 3/4	54	105767X	Pin Groove
24	105736X	Shield, Heat	55	124446X	Spring Extension
25	5320R	Clip, Insulated	56	72140606	Screw 3 8 16 x 3 4
26	120183X	Bearing, Nylon	57	108236X	Bracket Switch
27	105839X	Receptacle, 1/4 Turn	59	110739X	Washer Spring
28	105838X	Retainer, 1/4 Turn	60	73980600	Nut Flangelock 3 8 16
29	STD551025	Washer 9/32 x 5/8 x 16 Ga	61	73360700	Nut Hex Jam 7 16 20
30	122507X	Shaft Lift	62	73710700	Nut Crownlock 7 16 20
31	105751X	Stud, 1/4 Turn			

*STANDARD HARDWARE PURCHASE LOCALLY
NOTE: All component dimensions given in U.S. inches.
1 inch = 25.4 mm.



REPAIR PARTS

12 HP 38" RIDING LAWN TRACTOR -- MODEL NUMBER 917.254611
38" MOWER



REPAIR PARTS

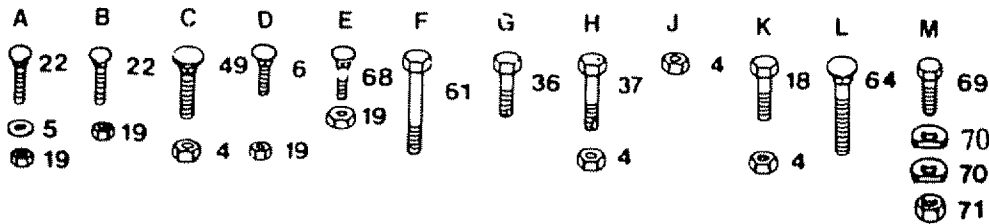
12 HP 38" RIDING LAWN TRACTOR - - MODEL NUMBER 917.254611

38" MOWER

KEY NO	PART NO.	DESCRIPTION	KEY NO.	PART NO.	DESCRIPTION
1	106085X	V-Belt	38	121263X	Blade
2	121259X	Housing	39	19132012	Washer 13/32 x 1 1/4 x 12 Ga
3	8417J	Runner, R.H.	40	STD551137	Washer, Lock 3/8
4	73680800	Nut, Crownlock 3/8-16	41	STD623715	Bolt, Hex. 3/8-24 x 1-1/2 Gr 5
5	19111216	Washer 11/32 x 3/4 x 16 Ga	42	108250X	Spring, Extension
6	72140505	Bolt, Carr., 5/16 - 18 x 5/8	43	108235X	Rod - Clutch Mower
7	105896X	Bracket, Deflector	44	4921H	Spring - Retainer
8	110452X	Pushnut	45	6404J	Spacer 1/2 x 9/16
9	106734X	Spring, Deflector	46	124066X	Rock Shaft Assembly
10	106735X	Rod - Hinge	47	76020616	Pin, Cotter, 3/16 x 1
11	106736X	Deflector - Shield	48	108247X	Rod, Brake, Primary
12	105814X	Decal, V-Belt Mower Drive	49	72140606	Bolt, Carr. 3/8-16 x 3/4
13	105304X	Cap	50	108243X	Bracket, Pivot, R.H.
14	105662X	Link, Parallel	51	108241X	Bracket, Pivot, L.H.
15	105744X	Pin Hinge, Front	52	105857X	Bracket, Suspension, Rear, R.H.
16	105872X	Stop, Link	53	108673X	Bracket, Suspension, Rear, L.H.
17	109835X	Pin - Hinge, Rear	54	106578X	Brake Assembly
18	STD523707	Bolt 3/8-16 x 3/4	55	106463X	Rod Brake, Secondary, L.H.
19	73680500	Nut, Crownlock 5/16 18	56	108249X	Rod, Brake, Secondary, R.H.
20	109598X	Bracket, Lift, R.H.	57	106456X	Bracket, Brake, Pivot
21	109597X	Bracket, Lift, L.H.	58	100672K	Spacer, Brake
22	STD533107	Bolt, Carr. 5/16-18 x 3/4	59	100673L	Bracket, Support
23	3713J	Decal, Instruction - Caution	60	19131614	Washer 13/32 x 1 x 14 Ga
24	109503X	Support, Arm	61	74760688	Bolt, 3/8-16 x 5-1/2
25	109504X	Stop, Deck, Front	62	7631J	Runner, L.H.
26	---	Decal - Safety Standard Not Serviced	63	19111016	Washer 11/32 x 5/8 x 16 Ga
27	126756X	Guide Belt	64	72140610	Bolt, 3/8-16 x 1-1/4
28	74760632	Bolt 3/8-16 x 2	65	121343X	Decal - Warning
29	123553X	Arm, Idler	66	122314X	Spacer
30	106902X	Spacer - Retainer	67	STD560907	Pin, Cotter, 3/32 x 1/2
31	121316X	Pulley - Idler	68	72110506	Bolt, Carriage 5/16-18 x 3/4
32	106513X	Washer, Wear, 1/16	69	74760412	Bolt Hex 1/4-20 x 3/4
33	102669X	Keeper, Belt	70	109893X	Washer, Special
34	121687X	Mandrel Assembly	71	73680400	Nut, Crownlock 1/4-20
35	100668L	Plate, Support Mandrel	72	110445X	Plate, Support, Mandrel, L.H.
36	17490614	Screw, Hex Washer Hd. 3/8 x 16 x 7/8	73	STD551037	Washer 13/32 x 13/16 x 16 Ga.
37	17490620	Screw, Hex Washer Hd. 3/8 x 16 x 1-1/4		122215X	Mower Assembly, Complete

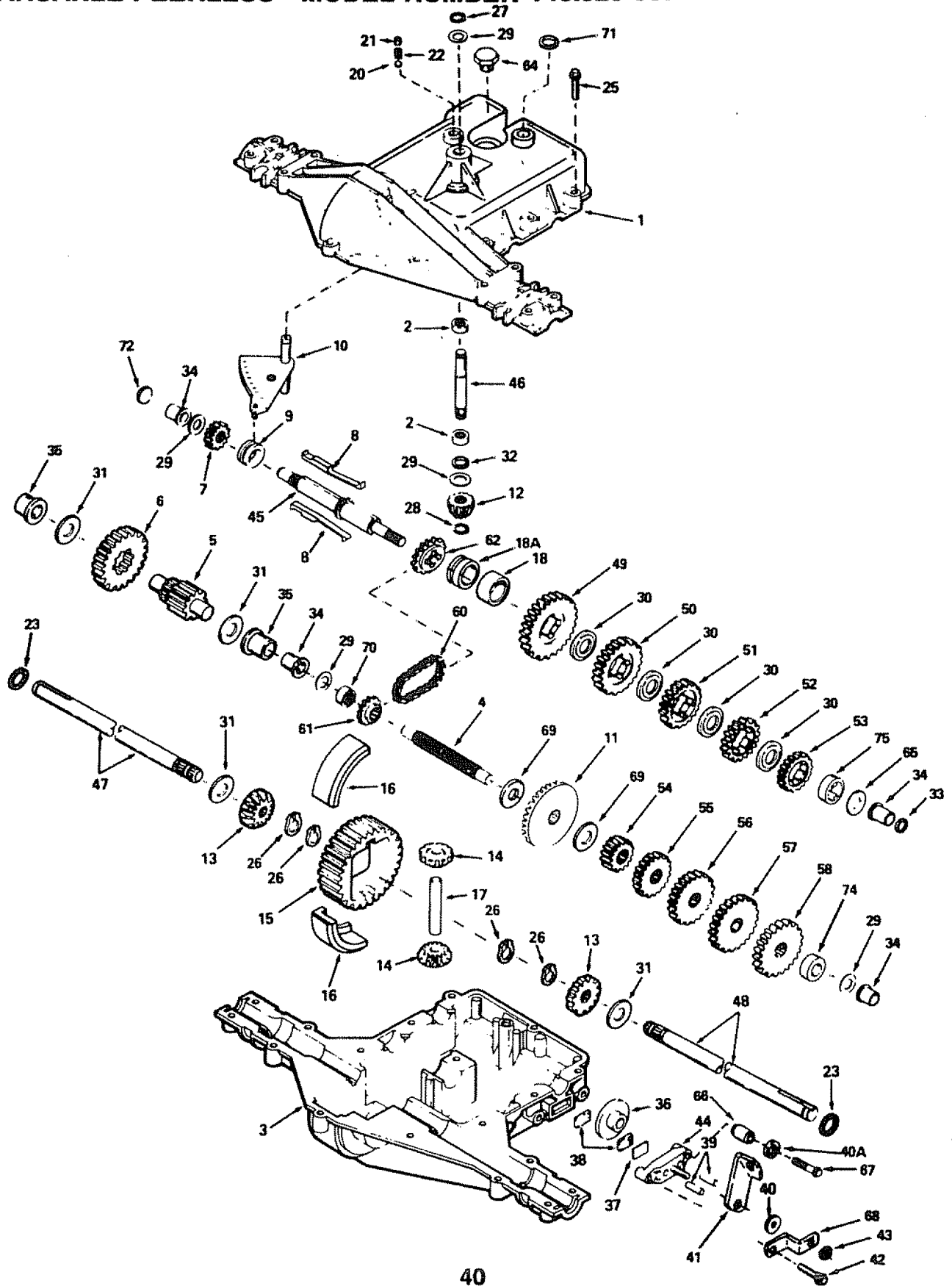
* STANDARD HARDWARE - - PURCHASE LOCALLY

NOTE: All component dimensions given in U.S. inches.
1 inch = 25.4 mm.



REPAIR PARTS

12 HP 38" RIDING LAWN TRACTOR - - MODEL NUMBER 917.254611
TRANSAXLE PEERLESS - MODEL NUMBER 143.920-037



REPAIR PARTS

12 HP 38" RIDING LAWN TRACTOR - - MODEL NUMBER 917.254611 TRANSAXLE PEERLESS - MODEL NUMBER 143.920-037

Ref. No.	Part No.	Part Name	Ref. No.	Part No.	Part Name
1	772094	Cover, Transaxle	39	786026	Pin, Dowel
2	780086	Bearing, Needle	40	792076	Washer, Flat
3	770082	Case, Transaxle	40A	792128	Washer, Flat
4	776260	Shaft, Counter	41	790047	Lever, Brake
5	776219	Shaft & Pinion Assy., Output	42	792073	Screw, Flanged hex hd. thread forming, 1/4-20 x 1-1/4
6	778139	Gear, Output	43	792075	Nut, Lock, 5/16-24
7	778136	Gear, Spur (15 teeth)	44	790025	Holder, Brake pad
8	792123A	Key	45	776273	Shaft, Brake
9	784216	Collar, Shifter	46	776135	Shaft, Input
10	784340	Rod & Fork Assy., Shift	47	774690	Axle (11-15/16 long)
11	778229	Gear, Bevel (42 teeth)	48	774691	Axle (16-1/2" long)
12	778113A	Bevel Pinion, Input	49	778191	Gear, Spur (37 teeth)
13	778221	Gear, Bevel	50	778124A	Gear, Spur (30 teeth)
14	778068	Gear, Bevel pinion	51	778123A	Gear, Spur (25 teeth)
15	778165	Gear, Ring	52	778122A	Gear, Spur (22 teeth)
16	786101	Block, Bearing	53	778209	Gear, Spur (19 teeth)
17	786040	Pin, Drive	54	778230	Gear, Spur (12 teeth)
18	786121	Spacer, Neutral	55	778126A	Gear, Spur (20 teeth)
18A	786122	Spacer	56	778127A	Gear, Spur (25 teeth)
20	792077	Ball, Steel (5/16" dia.)	57	778128A	Gear, Spur (28 teeth)
21	792078	Set Screw, 3/8-16 x 3/8	58	778163	Gear, Spur (31 teeth)
22	792079	Spring	60	786081	Chain, Roller (No. 41 chain, 24 links)
23	788061	Ring, Felt	61	786082	Sprocket (9 teeth)
25	792073	Screw, Flanged hex hd. thread forming, 1/4-20 x 1-1/4	62	786107	Sprocket (18 teeth)
26	792125	Ring, Retainer (4 req., pkg. of 2)	64	792074	Plug, Hex hd., 9/16-18 thread
27	792035	Ring, Retainer	65	780109	Washer, Thrust
28	788040	Ring, Retainer	66	786067	Spacer
29	780072	Washer, Thrust	67	792085	Screw, Flanged hex hd. thread forming 1/4-20 x 2-1/4
30	780108	Washer, Thrust	68	786086	Bracket, Brake lever
31	780001	Washer	69	780051	Washer, Thrust
32	792001	"O" Ring	70	786118	Spacer
33	788051	Seal, Square cut	71	788069	Seal, Square cut
34	780105A	Bushing, Flanged	72	786116	Disk
35	780118A	Bushing, Flanged	74	786071	Spacer
36	790003	Disk, Brake	75	786072	Spacer
37	790007	Plate, Brake pad			
38	790006	Pad, Brake			

NOTE: All component dimensions given in U.S. inches.
1 inch = 25.4 mm.

CRAFTSMAN 4-CYCLE ENGINE

MODEL: 143.406152

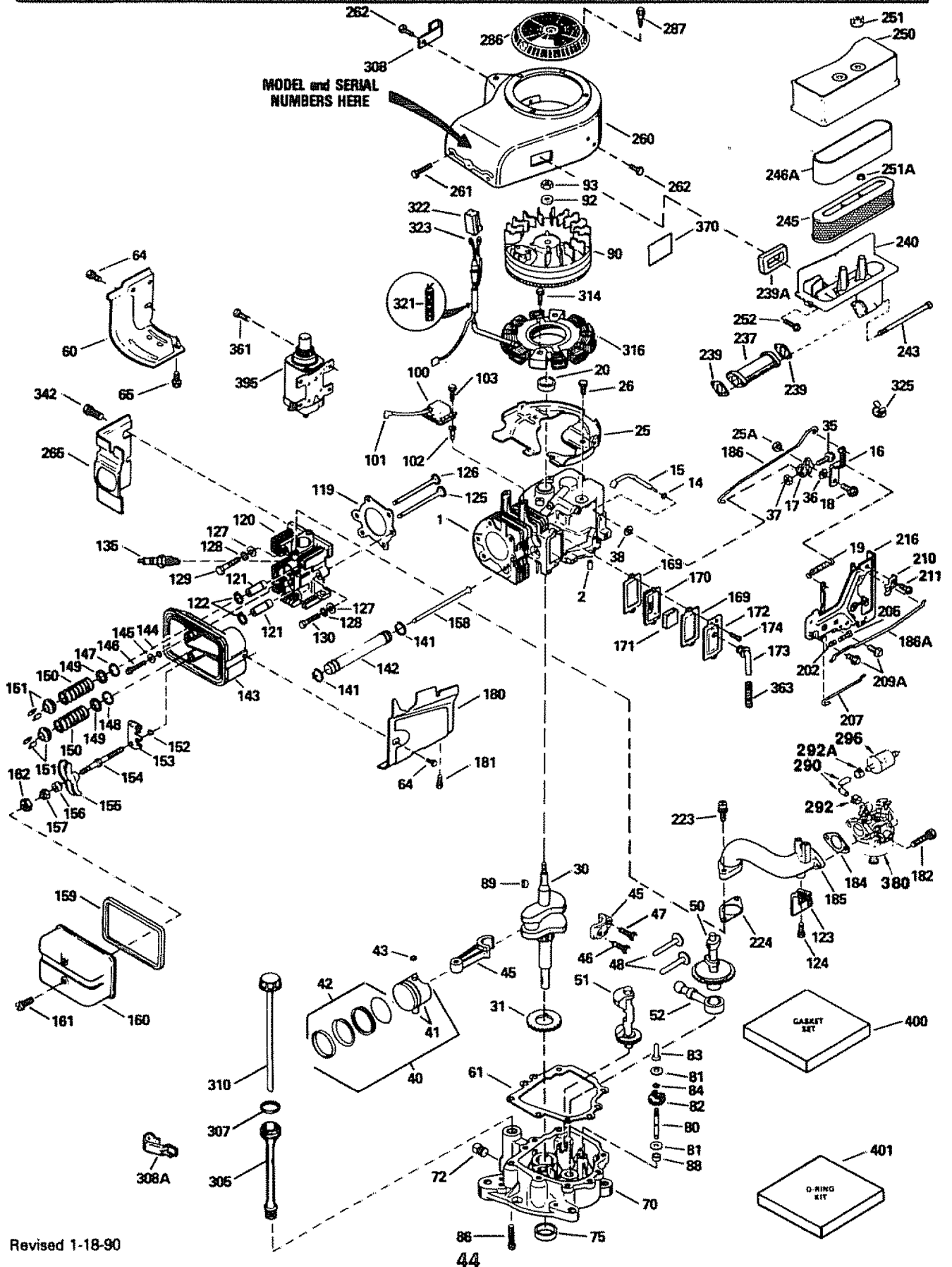
Ref. No.	Part No.	Part Name	Ref. No.	Part No.	Part Name
1	35323A	Cylinder Assy. (Incl. Nos. 2 & 20)	121	730218	Valve Guide Kit (Incl. 2 of No. 122)
2	27652	Pin, Dowel	122	792035	Ring, Retaining
14	28277	Washer, Flat	123	35288	Brace, Intake pipe
15	35324	Rod, Governor	124	650738	Screw, Hex washer spinlock hd. thread forming, 1/4-20 x 5/8
16	35520	Lever, Governor			Valve, Exhaust (Std.)
17	29916	Clamp, Throttle lever	125	35308	Valve, Exhaust (1/32" oversize)
18	650548	Screw, Hex washer hd., 8-32 x 5/16	125	35433	Valve, Intake (Std.)
19	35521	Spring, Control	126	35309	Valve, Intake (1/32" oversize)
20	35319	Seal, Oil	126	35432	Washer, Flat
25	35326	Baffle, Blower housing	127	650691	Washer, Belleville
25A	30322	Nut & Washer, 8-32 "kaps"	128	650690	Screw, Hex hd., 5/16-18 x 3/8
26	650561	Screw, Hex washer hd. Durllok, 1/4-20 x 5/8	129	650746	Screw, Hex hd., 5/16-18 x 1-3/4
			130	650692	Resistor Spark plug (Champion RL-86C or equivalent)
30	35336A	Crankshaft Assy. (Counterbalance)	135	34046	"O" Ring
31	35327	Gear, Counterbalance			Tube, Push rod
35	29826	Screw, Hex washer hd., 10-32 x 3/4	141	†*33481	Housing, Rocker arm
36	29918	Washer, E.T. Lock	142	35475	"O" Ring
37	29216	Nut, Lock, 10-32	143	35310	Washer, Flat
38	29642	Ring, Retaining	144	†*33484	Screw, Flanged hex hd., 1/4-20 x 29/32
40	35776	Piston, Pin & Ring Assy. (Std.) (Incl. Nos. 41, 42 & 43)	145	650168	"O" Ring (Intake)
			146	32610A	"O" Ring (Exhaust)
40	35777	Piston, Pin & Ring Assy. (.010 oversize) (Incl. Nos. 41, 42 & 43)	147	†*33509	Cap, Valve spring
40	35778	Piston, Pin & Ring Assy. (.020 oversize) (Incl. Nos. 41, 42 & 43)	148	†*34410	Spring, Valve
41	35773	Piston & Pin Assy. (Std.) (Incl. No. 43)	149	33510	Cap, Valve spring keeper
41	35774	Piston & Pin Assy. (.010 oversize) (Incl. No. 43)	150	33507	"O" Ring
			151	33508	Guide, Push rod
41	35775	Piston & Pin Assy. (.020 oversize) (Incl. No. 43)	152	†*35295	Stud, Rocker arm
			153	35296	Arm, Rocker
42	35779	Ring Set, Piston (Std.)	154	650878	Bearing, Rocker arm
42	35780	Ring Set, Piston (.010 oversize)	155	35297	Nut Assy., Lock (Incl. No. 162)
42	35781	Ring Set, Piston (.020 oversize)	156	35298	Rod, Push
43	35772	Ring, Piston pin retaining	157	†*28264	"O" Ring Assy. (Incl. No. 161)
45	35330A	Rod Assy., Connecting (Incl. Nos. 46 & 47)	158	35466	Cover, Rocker arm housing
			159	†*35299B	Screw, Truss hd. w/sealing lockwasher, 8-32 x 1/2
46	650908	Bolt, Connecting rod	160	35300	Nut, Hex Jam
47	650882	Bolt, Connecting rod	161	†*650879	Gasket, Valve cover
48	35313	Lifter, Valve			Body, Breather
50	35314A	Camshaft (Mechanical Compression Release) (Incl. No. 48)	162	†*650903	Element, Breather
			169	*27896A	Cover, Valve spring box
51	35315	Weight Assy., Counterbalance	170	28423	Tube, Breather
52	31356	Pump Assy., Oil	171	28424	Screw, Hex hd. Sems, 10-24 x 1/2
60	35316	Extension, Blower housing	172	28425	Extension, Blower housing
61	*35317	Gasket, Mounting flange	173	35350	Screw, Hex hd. Sems, 10-24 x 1/2
64	30063	Screw, Hex washer hd. Sems, 1/4-20 x 1/2	174	650128	Screw, Hex hd. Sems, 1/4-20 x 13/16
			180	35301	Gasket, Carburetor to intake pipe
65	650128	Screw, Hex hd. Sems, 10-24 x 1/2	181	650128	Pipe, Intake
70	35711A	Flange, Mounting (Incl. Nos. 72, 75 & 80)	182	650517	Link, Governor
			184	*33263	Link, Chokey
			185	35304	Spring, Compression
72	31927	Plug, Oil drain	186	35522	Screw, Fil. hd., 6-32 x 21/32
75	35319	Seal, Oil	186A	35523	Link, Control bracket
80	35712	Shaft, Governor	202	33802	Screw, Hex washer hd., Sems, 10-32 x 7/16
81	35479	Washer, Flat	205	650777	Clip, Conduit
82	35321	Gear Assy., Governor	207	35525	Screw, Hex washer hd. Sems, 10-32 x 3/8
83	35322	Spool, Governor	209A	650902	Bracket Assy., Override control (Incl. Nos. 202, 205)
84	29193	Ring, Retaining			
86	650833	Screw, Hex washer hd. Powerlok, 1/4-20 x 1-3/16	210	27793	
			211	28942	
88	31707A	Spacer, Governor gear			
89	32589	Key, Flywheel	216	35524	
90	611093	Flywheel			
92	650880	Washer, Lock			
93	650881	Nut, Flywheel			
100	35135	Solid State Assy.			
101	610118	Cover, Spark plug			
102	650872	Stud, Solid state assy.			
103	650814	Screw, Torx hex washer hd. Sems, 10-24 x 1			
119	*35306A	Gasket, Cylinder head			
120	35307	Head Assy., Cylinder			

*Indicates Part included in Gasket Set, Ref. No. 400.

†Indicates Parts Included in "O" Ring Set, Ref. No. 401.

CRAFTSMAN 4-CYCLE ENGINE

MODEL: 143.406152



Revised 1-18-90

CRAFTSMAN 4-CYCLE ENGINE

MODEL: 143.406152

Ref. No.	Part No.	Part Name	Ref. No.	Part No.	Part Name
237	35288	Adapter, Air cleaner	314	650873	Screw, Hex hd. Sems, 1/4-20 x 3/4
239	*33629	Gasket, Air cleaner elbow	316	811113	Coil Assy., Alternator (3 Amp D.C.) (Incl. Nos. 321, 322 & 323)
239A	*35408	Gasket, Air cleaner-to-housing			
240	35402B	Body Assy., Air cleaner (Incl. Nos. 239 & 239A)	321	610935	Diode
243	650875	Screw, Fil. hd. Sems, 10-32 x 5-1/4	322	610921	Connector, Body
245	35403	Element, Air cleaner (Incl. No. 251A) (paper)	323	610922	Terminal, Female
246A	35404	Filter, Poly pre-cleaner	325	27275	Clip, Wire
250	35405	Cover, Air cleaner	342	650273	Screw, Hex hd. Sems, 5/16-18 x 5/8
251	650886	Nut, Wing 1/4-20	361	30063	Screw, Hex washer hd. Sems, 1/4-20 x 1/2
251A	650825	Nut & Lockwasher, 1/4-20 (Sealing)	363	34148	Spring, Coil
252	650887	Screw, Hex washer hd. self-drill, self-tap, 1/4-20 x 1	370	34346	Decal, Instruction
260	35793	Housing, Blower	380	632490	Carburetor (Incl. No. 184)
261	30063	Screw, Hex hd. Sems, 1/4-20 x 1/2	395	35763	Starter Motor (12 Volt)
262	29747B	Screw, Hex hd. Sems, 5/16-24 x 21/32	400	35855	Gasket Set (Incl. items marked *)
265	35290	Cover, Cylinder head	401	35332	"O" Ring Kit (Incl. items marked †)
266	35792	Screen, Debris			RPM Setting: High Speed: 3350 - 3650 Low Speed: 1950 - 2250
267	650936	Screw, Hex washer hd. shoulder, 10-32 x 13/32			*Indicates Parts Included in Gasket Set, Ref. No. 400.
290	29774	Line, Fuel			†Indicates Parts Included in "O" Ring Kit, Ref. No. 401.
292	26460	Clamp, Fuel line			
292A	35864	Clamp, Fuel filter to fuel line			
296	34279B	Filter, Fuel (Incl. Nos. 292 & 292A)			
305	35574	Tube, Oil fill			
307	35499	"O" Ring			
308	33997	Clip, Oil fill tube			
308A	35437	Clip, Oil fill tube			
310	35576	Dipstick, Oil			

CARBURETOR NO. 632490

Ref. No.	Part No.	Part Name
1	632490	Carburetor
2	632471	Shaft & Lever Assy., Throttle
3	632244	Spring, Throttle return
4	632517	Shutter, Throttle
5	650506	Screw, Rd. hd., 4-40 x 3/16
5A	630766	Spring, Idle regulating screw
6	630738	Spring, Main adjustment screw
7	650417	Screw, Idle regulating
8	632472	Shaft & Lever Assy., Choke
9	632473	Spring, Return
9	632429A	Shutter, Choke
10	*630748	Plug, Welch
11	*631027	Plug, Welch
12	*631021	Inlet Needle, Seat & Clip Assy. (Incl. No. 13)
13	631022	Clip, Inlet needle
14	632019	Float, Carburetor
15	*631024	Shaft, Float
16	*631867	Bowl, Float
21	27110	Gasket, Bowl-to-body
22	*632239	Adjustment Screw Assy., Main adjustment screw (Incl. Nos. 5A, 21, 23 & 30)
23	630740	"O" Ring
24	*632281	Screw, Idle adjustment
25	*631028	Gasket, Bowl-to-body
27	631184	Washer
29	631971	Seal, Dust
29A	631183	Seal, Dust
30	630739	Washer, Flat
31	631775	Fitting, Fuel
32	632347	Repair Kit (Incl. items marked *)

STARTER MOTOR NO. 35763

Ref. No.	Part No.	Part Name
1	35763	Starting Motor, Complete
2	33451	Cover, Dust
3	33842	Ring, Retainer
4	33430	Retainer, Spring
5	33431	Spring, Anti-drift
6	33432	Gear
6	33433A	Nut & Retainer (Incl. No. 2)
7	33450	Nut, Lock
8	33434	Cap Assy., Drive end
9	33703	Armature
10	33759	Housing Assy.
11	33712	Card Assy., Brush (Incl. No. 12)
12	33705	Brush & Spring Kit (Incl. 4 pcs. of No. 13)
13	33440	Spring, Brush
14	590500	Washer, Thrust
15	33449	Bolt, 10-32 x 4-1/4
16	35766	Cap Assy., Commutator end
17	650168	Washer, Flat
18	650723	Nut, Hex
19	34685	Terminal Insulators

SERVICE NOTES

SERVICE NOTES

SERVICE NOTES

Attachments That Add to the Usefulness of Your Craftsman Lawn Tractor

Sears offers a wide variety of attachments that fit your tractor. Many of these are listed below with brief explanations of how they can help you. This list was current at the time of publication; however, it may change in future years — more attachments may be added, changes (including changes in the stock number) may be made in these attachments, or some may no longer be available.

Most of these attachments do not require additional hitches or conversion kits (those that do are indicated) and are designed for easy attaching and detaching. You may order these attachments at most Sears retail stores, catalog sales offices, and through the catalog.

PERMANEX BAGGER lets you collect grass clippings and leaves for a healthier, neater-looking lawn. Two Permanex containers hold 30-gallon plastic bags. Stock number 71-24940

LAWN SWEEPERS let you collect grass clippings and leaves.

71-24030	30-in.	9.0 cu. ft.
71-24032	32-in.	10.0 cu. ft.
71-24033 High-Performance	32 in.	11.5 cu. ft.
71-24038	38-in.	12.5 cu. ft.

LAWN VACS for powerful collections of heavy grass clippings and leaves. Wand attachment to pick up debris in hard-to-reach places.

71-2452	3HP	12 bu.	71-26471 chute
---------	-----	--------	----------------

CARTS make hauling easy.

71-24353	4 cu. ft.	400 lb.	Dump cart
71-24354	10 cu. ft.	1,000 lb.	Hauling cart
71-24355	10 cu. ft.	1,000 lb.	Dump cart
71-24356	14 cu. ft.	1,250 lb.	Dump cart

ROLLER for smoother lawn surface. 36-inch wide, 18 inch diameter water-tight drum holds up to 390 lbs. of weight. Rounded edges prevent harm to turf. Adjustable scraper automatically cleans drum. Stock number 71-24084.

SPREADER/SEEDERS make seeding, fertilizing, and weed killing easy. Broadcast spreaders are also useful for granular de-icers and sand.

71-24194 Drop type, 36 inch. 12 in. semi-pneumatic wheels. 100 lb. capacity steel hopper.

71-24394 Broadcasts over a 5 to 8 foot swath. 70 lb. capacity steel hopper. Noncorrosive spreading spinner, nylon gear box, stainless steel shaft.

71-24395 Broadcasts 8 to 10 foot swath. 160 lb. capacity. No-rust polypropylene hopper and impeller. Vinyl hopper cover.

CORING AERATOR takes small plugs out of soil to allow moisture and nutrients to reach grass roots. 36-inch swath. 24 hardened steel coring tips. 150 lb. capacity weight tray. Stock number 71-25351.

AERATOR promotes deep root growth for a healthy lawn. Tapered 2.5" steel spikes mounted on 10-in. diameter discs puncture holes in soil at close intervals to let moisture soak it. Steel weight tray for increased penetration. Stock number 71-2435.

DETHATCHER loosens and flips thatch and matted leaves to lawn surface for easy pick up. Twenty spring tine teeth. Useful to prepare bare areas for reseeding. 40 inch rear mount: Stock number 71-24313. 38 inch front mount: Stock number 71-24301.

SPRAYERS use 12-volt DC electric motor that connects to the tractor battery or other 12-volt source. Includes booms for automatic spraying when pulling, and hand held wand for spot spraying. Wand has adjustable spray pattern. For applying herbicides, insecticides, fungicides, and liquid fertilizers.

71-2458 50 psi maximum pressure with 12 foot wand length. Sprays up to 25 feet with wand.

71-24398 25 psi maximum pressure with 10 foot wand length. Sprays up to 18 feet with wand.

SNOW BLADE for snow removal only. 14 inch high, 42 inch wide blade clears 38 inch path when angled left or right. Raises, lowers with side lever. Adjustable skids: replaceable, reversible scraper bar. (Use with tire chains, wheel weights, or rear drawbar weight). Stock number 71-24407.

SNOWTHROWER has 40-inch swath. Drum-type auger handles powdery and wet/heavy snow. Mounts easily with simple pin arrangement. Discharge chute adjusts to 210 degree arc from tractor seat. 6-inch diameter spout discharges snow 10 to 50 ft. Lift controlled at tractor seat. (Use with tire chains, wheel weights, or rear drawbar weight). Stock No. 71-24072.

TIRE CHAINS are heavy duty; closely spaced extra-large cross links give smooth ride; outstanding traction. Stock No. 71-24952.

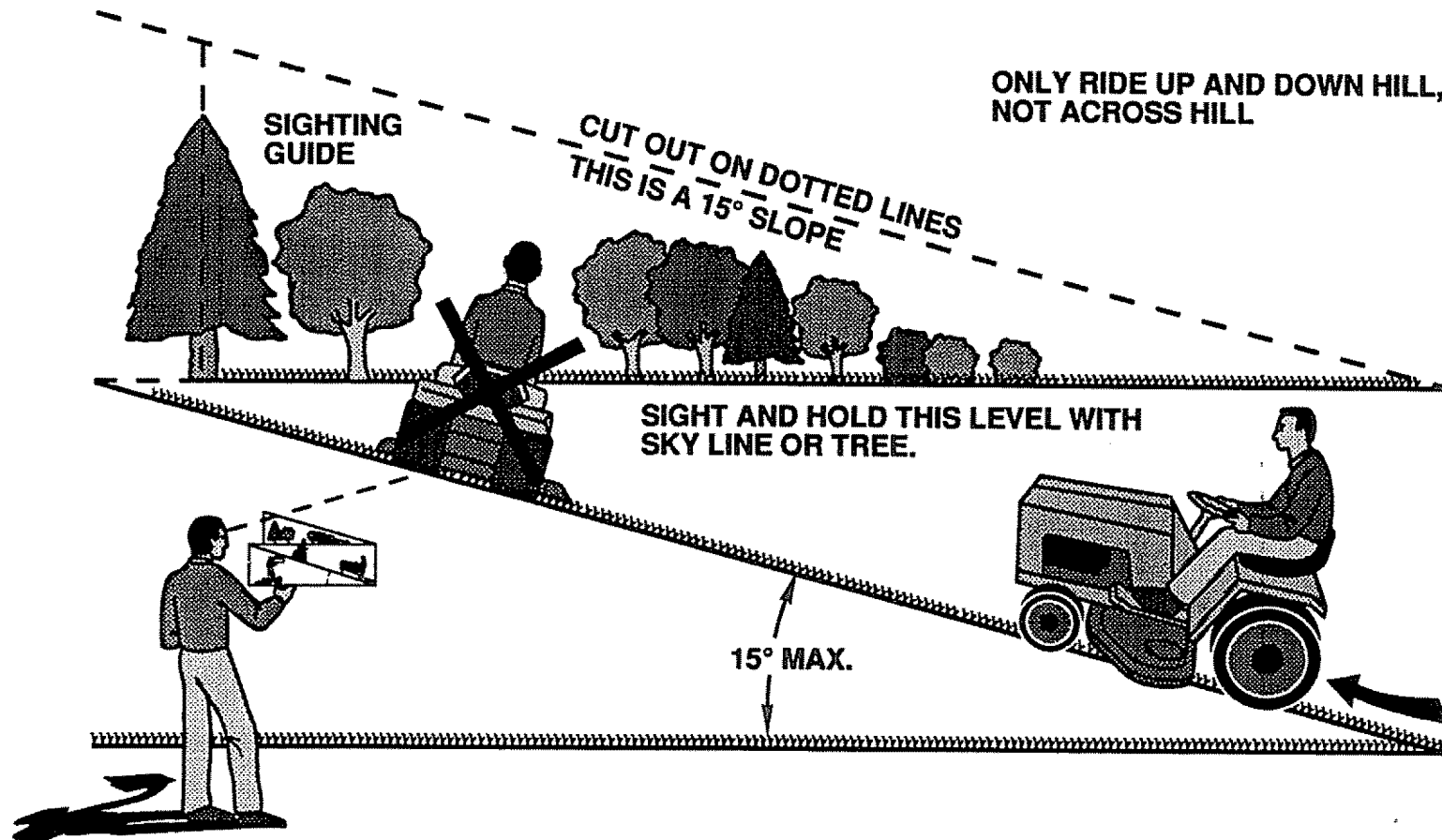
WHEEL WEIGHTS for rear wheels provide needed traction for snow removal or dozing heavy materials. In pairs. Stock No. 71-24434 (30 lb. each)

TRACTOR CAB has heavy duty vinyl fabric over tubular steel frame, ABS plastic top; clear plastic windshield offers 360 degree visibility. Hinged metal frame doors with catch. Keeps operator warm and dry. Remove vinyl and windshield for use as sun protector in summer. Stock No. 71-24171.

Optional accessories for tractor cab: tinted/tempered solid safety glass windshield with hand operated wiper (Stock No. 71-26168); 12-volt amber caution light for mounting on cab top (Stock No. 71-26169).

TRACTOR COVER protects tractor from weather. Made of Evolution 3 fabric (water-repellent, extremely breathable, light weight, soft, non-abrasive, pliable in all temperatures, durable, stain-tear-puncture resistant, will not shrink or stretch). Stock No. 71-24601.

SUGGESTED GUIDE FOR SIGHTING SLOPES FOR SAFE OPERATION



Operate your Tractor up and down the face of slopes (not greater than 15°) never across the face. Make turns gradually to prevent tipping or loss of control. Exercise extreme caution when changing direction on slopes.

SEARS
OWNER'S
MANUAL

MODEL NO.
917.254611

**HOW TO ORDER
REPAIR PARTS**

CRAFTSMAN®
12 HP
ELECTRIC START
38" MOWER DECK
5 SPEED TRANSAXLE
LAWN TRACTOR

Each Tractor has its own model number. Each Engine has its own model number.

The model number for your Tractor will be found on the Model Plate located under the seat.

The model number for your Engine will be found on the Blower Housing.

All parts listed herein may be ordered from any Sears, Roebuck and Co. Service Centers and most Retail Stores.

WHEN ORDERING REPAIR PARTS, ALWAYS GIVE THE FOLLOWING INFORMATION:

- PRODUCT - 12 HP LAWN TRACTOR
- MODEL NUMBER - 917.254611
- ENGINE MODEL NUMBER - 143.406152
- PART NUMBER
- PART DESCRIPTION

Your Sears merchandise has added value when you consider Sears has service units nationwide staffed with Sears trained technicians... professional technicians specifically trained to insure that we meet our pledge to you, we service what we sell.

Sears, Roebuck and Co., Chicago, IL 60684 U.S.A.

Free Manuals Download Website

<http://myh66.com>

<http://usermanuals.us>

<http://www.somanuals.com>

<http://www.4manuals.cc>

<http://www.manual-lib.com>

<http://www.404manual.com>

<http://www.luxmanual.com>

<http://aubethermostatmanual.com>

Golf course search by state

<http://golfingnear.com>

Email search by domain

<http://emailbydomain.com>

Auto manuals search

<http://auto.somanuals.com>

TV manuals search

<http://tv.somanuals.com>