

SEARS

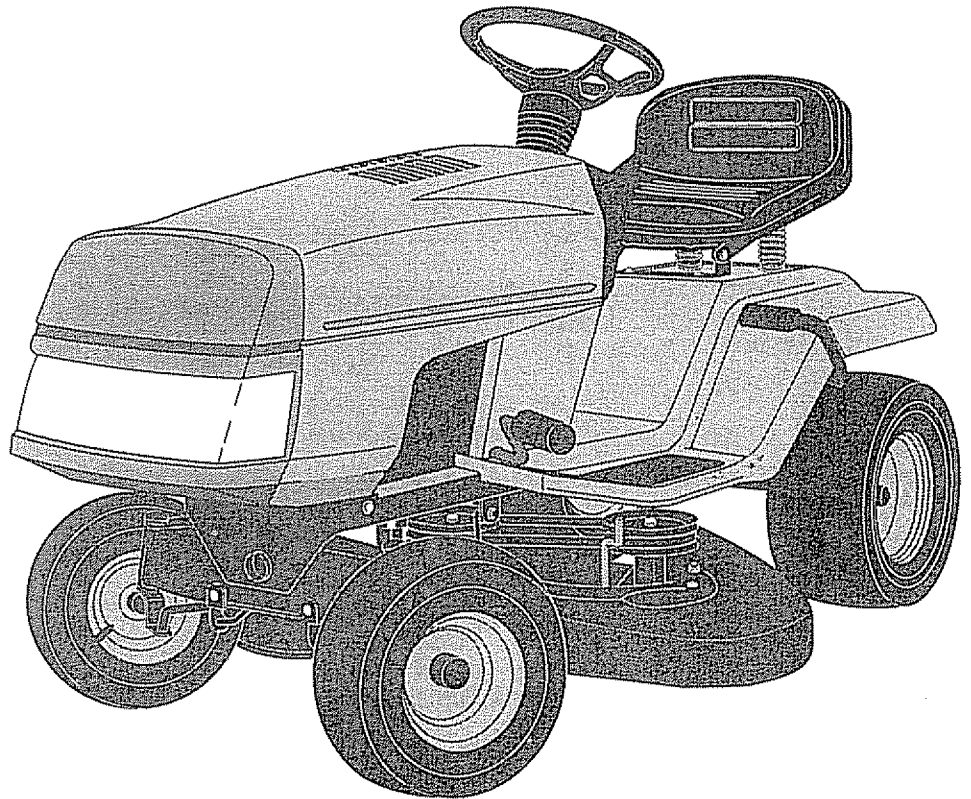
CRAFTSMAN®

MODEL NUMBER 917.256930

OWNER'S MANUAL

3One™
Convertible

- Assembly
- Operation
- Customer Responsibilities
- Service
- Adjustments
- Repair Parts



Caution:
Read and Follow
all Safety Rules
and Instructions
Before Operating
This Equipment

Sears, Roebuck and Co., Hoffman Estates, IL 60179 U.S.A.



SAFETY RULES

Safe Operation Practices for Ride-On Mowers



IMPORTANT: THIS CUTTING MACHINE IS CAPABLE OF AMPUTATING HANDS AND FEET AND THROWING OBJECTS. FAILURE TO OBSERVE THE FOLLOWING SAFETY INSTRUCTIONS COULD RESULT IN SERIOUS INJURY OR DEATH.

I. GENERAL OPERATION

- Read, understand, and follow all instructions in the manual and on the machine before starting.
- Only allow responsible adults, who are familiar with the instructions, to operate the machine.
- Clear the area of objects such as rocks, toys, wire, etc., which could be picked up and thrown by the blade.
- Be sure the area is clear of other people before mowing. Stop machine if anyone enters the area.
- Never carry passengers.
- Do not mow in reverse unless absolutely necessary. Always look down and behind before and while backing.
- Be aware of the mower discharge direction and do not point it at anyone. Do not operate the mower without either the entire grass catcher or the guard in place.
- Slow down before turning.
- Never leave a running machine unattended. Always turn off blades, set parking brake, stop engine, and remove keys before dismounting.
- Turn off blades when not mowing.
- Stop engine before removing grass catcher or unclogging chute.
- Mow only in daylight or good artificial light.
- Do not operate the machine while under the influence of alcohol or drugs.
- Watch for traffic when operating near or crossing roadways.
- Use extra care when loading or unloading the machine into a trailer or truck.

II. SLOPE OPERATION

Slopes are a major factor related to loss-of-control and tipover accidents, which can result in severe injury or death. All slopes require extra caution. If you cannot back up the slope or if you feel uneasy on it, do not mow it.

DO:

- Mow up and down slopes, not across.
- Remove obstacles such as rocks, tree limbs, etc.
- Watch for holes, ruts, or bumps. Uneven terrain could overturn the machine. *Tall grass can hide obstacles*
- Use slow speed. Choose a low gear so that you will not have to stop or shift while on the slope.
- Follow the manufacturer's recommendations for wheel weights or counterweights to improve stability.
- Use extra care with grass catchers or other attachments. These can change the stability of the machine.
- Keep all movement on the slopes *slow* and *gradual*. Do not make sudden changes in speed or direction.
- Avoid starting or stopping on a slope. If tires lose traction, disengage the blades and proceed slowly *straight* down the slope.

DO NOT:

- *Do not* turn on slopes unless necessary, and then, turn slowly and gradually downhill, if possible.
- *Do not* mow near drop-offs, ditches, or embankments. The mower could suddenly turn over if a wheel is over the edge of a cliff or ditch, or if an edge caves in.
- *Do not* mow on wet grass. Reduced traction could cause sliding.
- *Do not* try to stabilize the machine by putting your foot on the ground.
- *Do not* use grass catcher on steep slopes.

III. CHILDREN

Tragic accidents can occur if the operator is not alert to the presence of children. Children are often attracted to the machine and the mowing activity. *Never* assume that children will remain where you last saw them.

- Keep children out of the mowing area and under the watchful care of another responsible adult.
- Be alert and turn machine off if children enter the area.
- Before and when backing, look behind and *down* for small children.
- Never carry children. They may fall off and be seriously injured or interfere with safe machine operation.
- Never allow children to operate the machine.
- Use extra care when approaching blind corners, shrubs, trees, or other objects that may obscure vision.

IV. SERVICE

- Use extra care in handling gasoline and other fuels. They are flammable and vapors are explosive.
 - Use only an approved container.
 - Never remove gas cap or add fuel with the engine running. Allow engine to cool before refueling. Do not smoke.
 - Never refuel the machine indoors.
 - Never store the machine or fuel container inside where there is an open flame, such as a water heater.
- Never run a machine inside a closed area.
- Keep nuts and bolts, especially blade attachment bolts, tight and keep equipment in good condition.
- Never tamper with safety devices. Check their proper operation regularly.
- Keep machine free of grass, leaves, or other debris build-up. Clean oil or fuel spillage. Allow machine to cool before storing.
- Stop and inspect the equipment if you strike an object. Repair, if necessary, before restarting.
- Never make adjustments or repairs with the engine running.
- Grass catcher components are subject to wear, damage, and deterioration, which could expose moving parts or allow objects to be thrown. Frequently check components and replace with manufacturer's recommended parts, when necessary.
- Mower blades are sharp and can cut. Wrap the blade(s) or wear gloves, and use extra caution when servicing them.
- Check brake operation frequently. Adjust and service as required.



Look for this symbol to point out important safety precautions. It means CAUTION!!! BECOME ALERT!!! YOUR SAFETY IS INVOLVED.



CAUTION: Always disconnect spark plug wire and place wire where it cannot contact spark plug in order to prevent accidental starting when setting up, transporting, adjusting or making repairs.

CONGRATULATIONS on your purchase of a Sears tractor. It has been designed, engineered and manufactured to give you the best possible dependability and performance.

Should you experience any problem you cannot easily remedy, please contact your nearest Sears Service Center/Department. We have competent, well-trained technicians and the proper tools to service or repair this tractor.

Please read and retain this manual. The instructions will enable you to assemble and maintain your tractor properly. Always observe the "SAFETY RULES".

PRODUCT SPECIFICATIONS

HORSEPOWER:	12.5
GASOLINE CAPACITY:	1.4 GALLONS UNLEADED REGULAR
OIL (3.0 PINTS)	SAE 30 (above 32°F) SAE 5W-30 (below 32°F)
SPARK PLUG (GAP .030 IN.):	CHAMPION RJ-19LM (STD361458)
VALVE CLEARANCE:	INTAKE: .005 - .007 IN. EXHAUST: .009 - .011 IN.
GROUND SPEED:	FORWARD 1st 95 MPH 2rd 1.94 MPH 3th 2.91 MPH 4th 3.71 MPH 5th 4.76 MPH REVERSE: 1.46 MPH
TIRE PRESSURE:	FRONT: 14 PSI REAR: 12 PSI
CHARGING SYSTEM:	3 AMPS BATTERY 5 AMPS HEADLIGHTS
BLADE BOLT TORQUE:	30-35 FT. LBS.

MODEL NUMBER 917.256930

SERIAL NUMBER _____

DATE OF PURCHASE _____

THE MODEL AND SERIAL NUMBERS WILL BE FOUND ON A PLATE UNDER THE SEAT.

YOU SHOULD RECORD BOTH SERIAL NUMBER AND DATE OF PURCHASE AND KEEP IN A SAFE PLACE FOR FUTURE REFERENCE.

MAINTENANCE AGREEMENT

A Sears maintenance agreement is available on this tractor. Contact your nearest Sears store for details.

CUSTOMER RESPONSIBILITIES

- Read and observe the safety rules.
- Follow a regular schedule in maintaining, caring for and using your tractor.
- Follow the instructions under "Customer Responsibilities" and "Storage" sections of this manual.

WARNING: This tractor is equipped with an internal combustion engine and should not be used on or near any unimproved forest-covered, brush-covered or grass-covered land unless the engine's exhaust system is equipped with a spark arrester meeting applicable local or state laws (if any). If a spark arrester is used, it should be maintained in effective working order by the operator.

In the state of California the above is required by law (Section 4442 of the California Public Resources Code). Other states may have similar laws. Federal laws apply on federal lands. A spark arrester for the muffler is available through your nearest Sears authorized service center (See the REPAIR PARTS section of this manual).

LIMITED TWO YEAR WARRANTY ON ELECTRIC START RIDING EQUIPMENT

For two (2) years from the date of purchase, if this riding equipment is maintained, lubricated and tuned up according to the instructions in the owner's manual, Sears will repair or replace, free of charge, any parts found to be defective in material or workmanship.

This Warranty does not cover:

- Expendable items which become worn during normal use, such as blades, spark plugs, air cleaners and belts.
- Tire replacement or repair caused by punctures from outside objects, such as nails, thorns, stumps, or glass.
- Repairs necessary because of operator abuse, negligence, improper storage or accident or the failure to maintain the equipment according to the instructions contained in the owner's manual.
- Riding equipment used for commercial or rental purposes

LIMITED 90 DAY WARRANTY ON BATTERY

For 90 days from date of purchase, if any battery included with this riding equipment proves defective in material or workmanship and our testing determines the battery will not hold a charge, Sears will replace the battery at no charge.

WARRANTY SERVICE IS AVAILABLE BY RETURNING THE RIDING EQUIPMENT TO THE NEAREST SEARS SERVICE CENTER/DEPARTMENT IN THE UNITED STATES.

This Warranty gives you specific legal rights, and you may also have other rights which may vary from state to state

SEARS, ROEBUCK AND CO., D/817 WA, HOFFMAN ESTATES, ILLINOIS 60179

TABLE OF CONTENTS

SAFETY RULES	11-14
PRODUCT SPECIFICATIONS	15
CUSTOMER RESPONSIBILITIES	19-23
WARRANTY	24
TABLE OF CONTENTS	25-26
INDEX	30-47
TRACTOR ACCESSORIES	48-52
ASSEMBLY	BACK PAGE



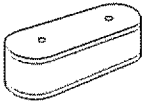



INDEX

<p style="text-align: center;">A</p> <p>Accessories 5</p> <p>Adjustments:</p> <p style="padding-left: 20px;">Brake 21</p> <p style="padding-left: 20px;">Carburetor 23</p> <p style="padding-left: 20px;">Mower:</p> <p style="padding-left: 40px;">Front-To-Back 20</p> <p style="padding-left: 40px;">Side-To-Side 20</p> <p>Throttle Control Cable 23</p> <p>Air Filter, Engine 17</p> <p>Air Screen, Engine 18</p> <p>Assembly 7-10</p> <p style="text-align: center;">B</p> <p>Battery:</p> <p style="padding-left: 20px;">Charging 8</p> <p style="padding-left: 20px;">Cleaning 17</p> <p style="padding-left: 20px;">Installation 9</p> <p style="padding-left: 20px;">Levels 8,16</p> <p style="padding-left: 20px;">Preparation 8</p> <p style="padding-left: 20px;">Starting with Weak Battery 22</p> <p style="padding-left: 20px;">Storage 24</p> <p style="padding-left: 20px;">Terminals 17</p> <p>Belt:</p> <p style="padding-left: 20px;">Motion Drive</p> <p style="padding-left: 40px;">Removal/Replacement 21</p> <p>Blade:</p> <p style="padding-left: 20px;">Sharpening 16</p> <p style="padding-left: 20px;">Replacement 16</p> <p>Brake Adjustment 21</p> <p style="text-align: center;">C</p> <p>Carburetor Adjustment 23</p> <p>Controls, Tractor 11</p> <p>Customer Responsibilities 15-18</p> <p>Engine:</p> <p style="padding-left: 20px;">Air Filter 17</p> <p style="padding-left: 20px;">Air Filter Foam Pre-Cleaner 17</p> <p style="padding-left: 20px;">Air Screen, Engine 18</p> <p style="padding-left: 20px;">Battery 16-17</p> <p style="padding-left: 20px;">Cooling Fins, Engine 18</p> <p style="padding-left: 20px;">Engine Oil 17</p> <p style="padding-left: 20px;">Fuel Filter 18</p> <p style="padding-left: 20px;">Spark Plugs 18</p> <p>Tractor:</p> <p style="padding-left: 20px;">Blades 16</p> <p style="padding-left: 20px;">Lubrication Chart 15</p> <p style="padding-left: 20px;">Maintenance Schedule 15</p> <p style="padding-left: 20px;">Tire Care 8,16,22</p> <p>Cutting Height, Mower 12-13</p>	<p style="text-align: center;">E</p> <p>Electrical:</p> <p style="padding-left: 20px;">Interlocks and Relays 23</p> <p style="padding-left: 20px;">Schematic 28</p> <p style="padding-left: 20px;">Wiring Diagram 30</p> <p>Engine:</p> <p style="padding-left: 20px;">Air Filter 17</p> <p style="padding-left: 20px;">Air Filter Foam Pre-Cleaner 17</p> <p style="padding-left: 20px;">Air Screen 18</p> <p style="padding-left: 20px;">Cooling Fins, Engine 18</p> <p style="padding-left: 20px;">Oil Change 17</p> <p style="padding-left: 20px;">Oil Level 13,17</p> <p style="padding-left: 20px;">Oil Type 17</p> <p style="padding-left: 20px;">Preparation 13</p> <p style="padding-left: 20px;">Repair Parts 48-52</p> <p style="padding-left: 20px;">Starting 14</p> <p style="padding-left: 20px;">Storage 24</p> <p style="text-align: center;">F</p> <p>Filters:</p> <p style="padding-left: 20px;">Air Filter 17</p> <p style="padding-left: 20px;">Air Filter Foam Pre-Cleaner 17</p> <p style="padding-left: 20px;">Fuel 18</p> <p>Fuel:</p> <p style="padding-left: 20px;">Type 13</p> <p style="padding-left: 20px;">Storage 24</p> <p>Fuse 22</p> <p style="text-align: center;">H</p> <p>Hood Removal/Installation 22</p> <p style="text-align: center;">L</p> <p>Leveling Mower Deck 20</p> <p>Lubrication Chart 15</p> <p style="text-align: center;">M</p> <p>Maintenance Schedule 15</p> <p>Mower:</p> <p style="padding-left: 20px;">Adjustment, Front-to-Back 20</p> <p style="padding-left: 20px;">Adjustment, Side-to-Side 20</p> <p style="padding-left: 20px;">Blade Sharpening 16</p> <p style="padding-left: 20px;">Blade Replacement 16</p> <p style="padding-left: 20px;">Cutting Height 12-13</p> <p style="padding-left: 20px;">Installation 19</p> <p style="padding-left: 20px;">Operation 13</p> <p style="padding-left: 20px;">Removal 19</p> <p>Mowing Tips 14</p> <p>Muffler 18</p> <p style="padding-left: 20px;">Spark Arrester 3, 40</p> <p style="text-align: center;">O</p> <p>Oil:</p> <p style="padding-left: 20px;">Cold Weather Conditions 13,17</p> <p style="padding-left: 20px;">Engine 17</p> <p style="padding-left: 20px;">Storage 24</p>	<p>Operation 11-14</p> <p>Operating Mower 13</p> <p>Options:</p> <p style="padding-left: 20px;">Accessories 5</p> <p style="padding-left: 20px;">Spark Arrester 3, 40</p> <p style="text-align: center;">P</p> <p>Parking Brake 11-12</p> <p>Parts Bag 6</p> <p>Parts, Replacement/Repair 30-47</p> <p>Product Specifications 3</p> <p style="text-align: center;">R</p> <p>Repair Parts 30-47</p> <p style="text-align: center;">S</p> <p>Safety Rules 2</p> <p>Seat 8</p> <p>Service and Adjustments 19-23</p> <p style="padding-left: 20px;">Brake 21</p> <p style="padding-left: 20px;">Carburetor 23</p> <p style="padding-left: 20px;">Fuse 22</p> <p style="padding-left: 20px;">Hood Removal/Installation 22</p> <p style="padding-left: 20px;">Motion Drive Belt</p> <p style="padding-left: 40px;">Removal/Replacement 21</p> <p style="padding-left: 20px;">Mower Installation 19</p> <p style="padding-left: 20px;">Mower Adjustment:</p> <p style="padding-left: 40px;">Front- to-Back 20</p> <p style="padding-left: 40px;">Side-to-Side 20</p> <p style="padding-left: 20px;">Mower Removal 19</p> <p style="padding-left: 20px;">Tire Care 8,16,22</p> <p>Slope Guide Sheet 55</p> <p>Spark Plugs 18</p> <p>Specifications 3</p> <p>Starting the Engine 13-14</p> <p>Steering Wheel 7,21</p> <p>Stopping the Tractor 12</p> <p>Storage 24</p> <p style="text-align: center;">T</p> <p>Throttle Control Cable Adjustment 23</p> <p>Tires 8,16,22</p> <p>Trouble Shooting Chart 25-26</p> <p>Transaxle Repair Parts 46-47</p> <p style="text-align: center;">W</p> <p>Warranty 3</p> <p>Wiring Diagram 30</p> <p>Wiring Schematic 28</p>
--	--	---



ACCESSORIES AND ATTACHMENTS

These accessories and attachments were available when the tractor was purchased. They are also available at most Sears retail outlets, catalog and service centers. Most Sears stores can order these items for you when you provide the model number of your tractor.

ENGINE

SPARK PLUG	MUFFLER	AIR FILTER	GAS CAN	ENGINE OIL	STABILIZER
					

MAINTENANCE

BLADES	BELTS
	

PERFORMANCE

Sears offers a wide variety of attachments that fit your tractor. Many of these are listed below with brief explanations of how they can help you. This list was current at the time of publication; however, it may change in future years - more attachments may be added, changes may be made in these attachments, or some may no longer be available or fit your model. **Contact your nearest Sears store for the accessories and attachments that are available for your tractor.**

Most of these attachments do not require additional hitches or conversion kits (those that do are indicated) and are designed for easy attaching and detaching.

PERMANEX BAGGER lets you collect grass clippings and leaves for a healthier, neater looking lawn. Two Permanex containers hold 30-gallon plastic bags.

LAWN SWEEPERS let you collect grass clippings and leaves.

CARTS make hauling easy. Variety of sizes available.

ROLLER for smoother lawn surface. 36-inch wide, 18-inch diameter water-tight drum holds up to 390 lbs. of weight. Rounded edges prevent harm to turf. Adjustable scraper automatically cleans drum.

SPREADER/SEEDERS make seeding, fertilizing, and weed killing easy. Broadcast spreaders are also useful for granular de-icers and sand.

CORING AERATOR takes small plugs out of soil to allow moisture and nutrients to reach grass roots. 36-inch swath. 24 hardened steel coring tips. 150 lb. capacity weight tray.

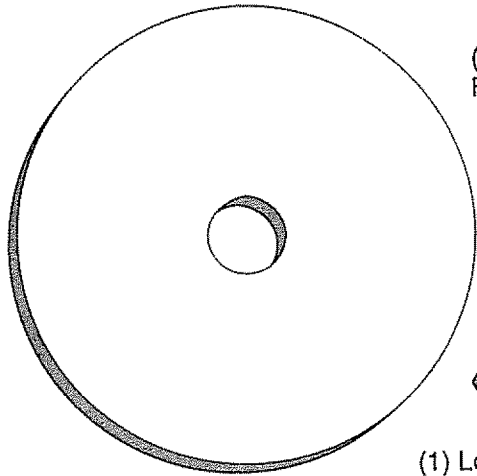
AERATOR promotes deep root growth for a healthy lawn. Tapered 2.5-inch steel spikes mounted on 10-inch diameter discs puncture holes in soil at close intervals to let moisture soak in. Steel weight tray for increased penetration.

MULCH RAKE/DETHATCHER loosens soil and flips thatch and matted leaves to lawn surface for easy pickup. Twenty spring tine teeth. Useful to prepare bare areas for seeding. Available for rear mounting only.

SPRAYERS use 12-volt DC electric motor that connects to the tractor battery or other 12-volt source. Includes booms for automatic spraying when pulling, and hand held wand for spot spraying. Wand has adjustable spray pattern. For applying herbicides, insecticides, fungicides, and liquid fertilizers.

CONTENTS OF HARDWARE PACK

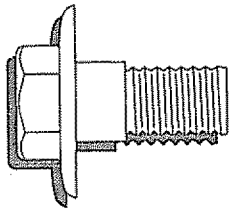
Parts Bag contents shown full size



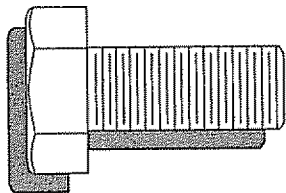
(1) Large Flat Washer



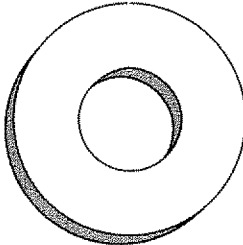
(1) Locknut 3/8-24



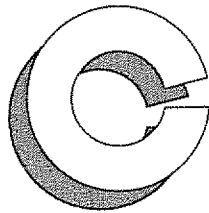
(1) Shoulder Bolt 5/16-18



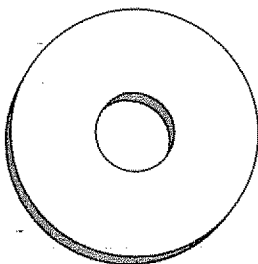
(1) Hex Bolt 1/2-13 x 1



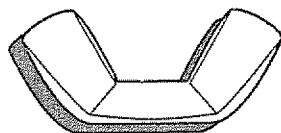
(1) Washer 17/32 x 1-3/16 x 12 Gauge



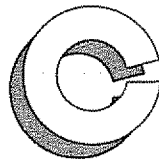
(1) Lock Washer 1/2



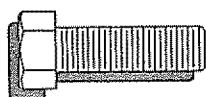
(1) Washer 13/32 x 1-1/4 x 16 Gauge



(1) Wing Nut 3/8



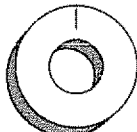
(1) Lock Washer 3/8



(2) Hex Bolts 1/4-20 x 3/4



(2) Hex Nuts 1/4-20

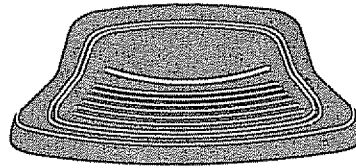


(2) Washers 9/32 x 5/8 x 16 Ga.

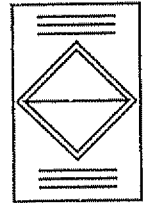


(2) Lock Washers 1/4

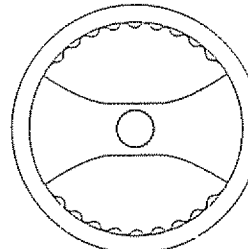
Parts packed separately in carton



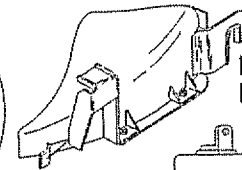
Seat



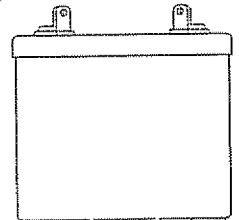
Battery acid



Steering Wheel



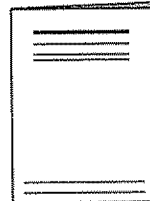
Mulcher Plate



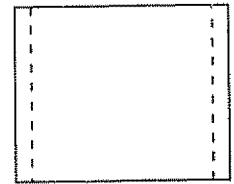
Battery



Steering Sleeve

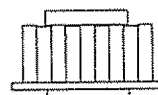


Owner's Manual

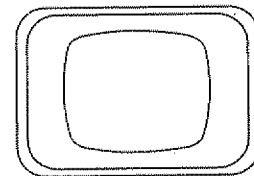


Parts Bag

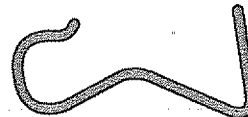
Parts bag contents not shown full size



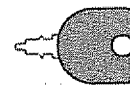
Steering Wheel Adapter



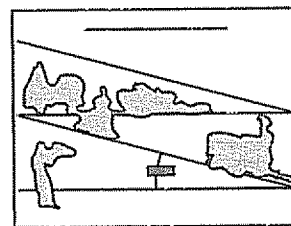
Steering Wheel Insert



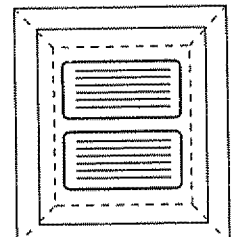
Steering Clip



(2) Keys



15° Slope Sheet



Battery Caps and Instructions

ASSEMBLY

Your new tractor has been assembled at the factory with exception of those parts left unassembled for shipping purposes. To ensure safe and proper operation of your tractor, all parts and hardware you assemble must be tightened securely. Use the correct tools as necessary to insure proper tightness.

TOOLS REQUIRED FOR ASSEMBLY

A socket wrench set will make assembly easier. Standard wrench sizes are listed.

- | | |
|--------------------|---------------------|
| (1) 9/16" wrench | Pliers |
| (2) 7/16" wrenches | Tire pressure gauge |
| (1) 3/4" wrench | Screwdriver |
| (1) 1/2" wrench | Utility knife |

When right and left hand are mentioned in this manual, it means when you are in the operating position (seated behind the steering wheel).

TO REMOVE TRACTOR FROM CARTON

UNPACK CARTON

- Remove all accessible loose parts and parts cartons from carton (See page 6).
- Cut along lines on the carton, from top to bottom, all four corners of carton and lay panels flat.
- Check for any additional loose parts or cartons and remove.

BEFORE ROLLING TRACTOR OFF SKID

ATTACH STEERING WHEEL

POSITION STEERING SHAFT (See Fig. 1) -

- Lift hood.
- Pull steering shaft up to engage gears.
- Push steering clip through hole on steering shaft at 45° (hole is located under dash and above lower steering bushing).
- Push steering clip onto steering shaft until steering clip snaps into place.

INSTALL STEERING WHEEL (See Fig. 2) -

- Slide the steering sleeve over the steering shaft (Bottom of sleeve goes over ring on dash).
- Slide steering wheel adapter onto upper steering shaft.
- Position front wheels of the tractor so they are pointing straight forward.
- Position steering wheel so cross bars are horizontal (left to right) and slide onto adapter.
- Assemble large flat washer and 3/8-24 locknut and tighten securely.
- Snap insert into center of steering wheel.
- Remove protective plastic from tractor hood and grill.

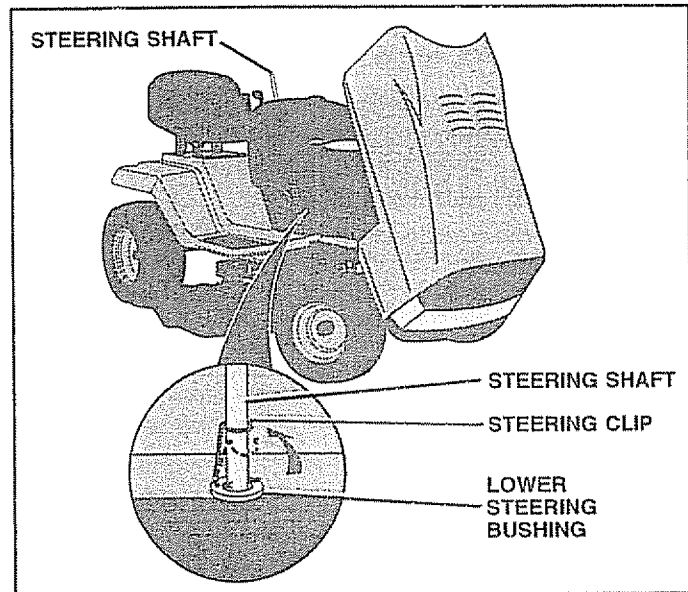


FIG. 1

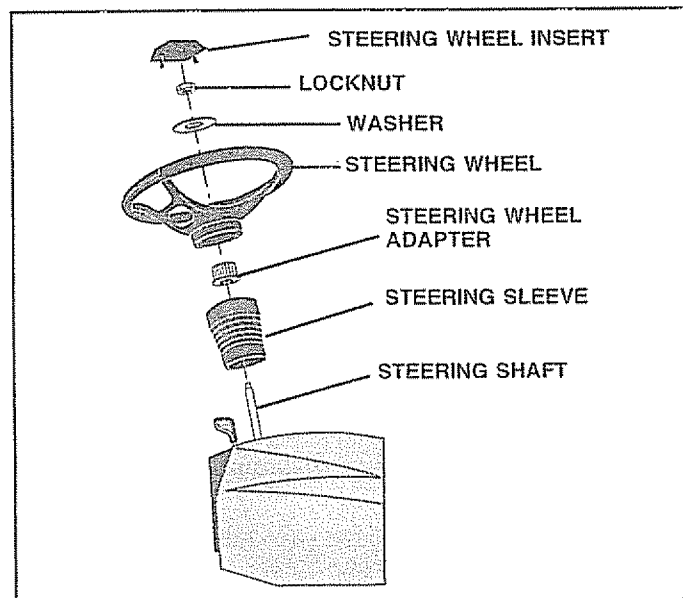


FIG. 2

TO ROLL TRACTOR OFF SKID

IMPORTANT: CHECK FOR AND REMOVE ANY STAPLES IN SKID THAT MAY PUNCTURE TIRES WHERE TRACTOR IS TO ROLL OFF SKID.

- Raise mower lift lever to its highest position.
- Place gearshift lever in "NEUTRAL" position.
- Release parking brake by depressing clutch/brake pedal.
- Roll tractor backwards off skid.
- Remove banding holding discharge guard up against tractor.

ASSEMBLY

HOW TO SET UP YOUR TRACTOR

PREPARE BATTERY (See Fig. 3)



CAUTION: Wear eye and face shield.
Wash hands or clothing immediately if accidentally in contact with battery acid.
Do not smoke. Fumes from charged battery acid are explosive.
Read the instructions included with the battery vent caps. Always wear gloves, clothing and goggles to protect your hands, skin and eyes.

Your tractor has a battery charging system which is sufficient for normal use. However, periodic charging of the battery with an automotive charger will extend its life.

- See instructions packed with vent caps in parts bag.
- Fill battery with acid. Fill each cell until it reaches the bottom of the vent wells. Do not overfill.
- Allow battery to stand and settle for at least thirty minutes. After standing, check the level of acid. If below the vent wells, add more acid until the correct level is reached.

While battery is standing (after adding acid) and later, while battery is being charged, continue with assembly of tractor.

IMPORTANT: TO MAXIMIZE THE LIFE OF YOUR BATTERY, IT IS NECESSARY THAT THE BATTERY BE CHARGED BEFORE USE. FAILURE TO CHARGE BATTERY CAN RESULT IN A SHORTENED BATTERY LIFE.

- Charge battery at a rate of 6 amperes for 1 hour. Use a 12 volt battery charger. Observe all safety precautions required for battery charging.
- Check the acid level after the battery is charged. If the acid has fallen below the correct level, add distilled or iron free water.
- Install the vent caps to cover the vent wells. Wash the top of the battery with water to remove any acid, then wipe dry.
- Check battery case for leakage to make sure that no damage has occurred in handling.
- Dispose of excess battery acid. Neutralize acid for disposal by adding it to four inches of water in a five gallon plastic container. Stir with a wooden or plastic paddle while adding baking soda until the addition of more soda causes no more foaming.
- Follow instructions on how to install battery.

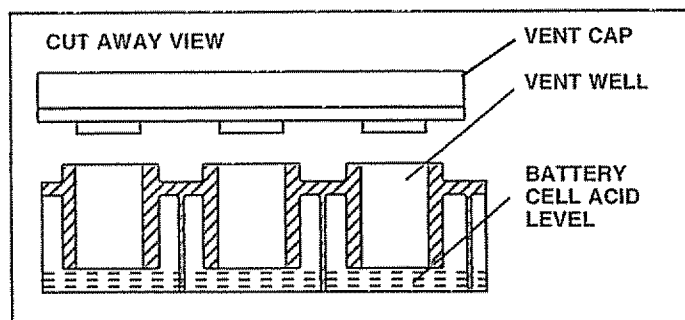


FIG. 3

INSTALL SEAT (See Fig. 4)

Adjust seat before tightening adjustment bolt.

- Remove cardboard packing on seat pan.
- Place seat on pan and assemble shoulder bolt.
- Assemble adjustment bolt, lock washer and flat washer loosely. Do not tighten.
- Tighten shoulder bolt securely.
- Lower seat into operating position and sit on seat.
- Slide seat until a comfortable position is reached which allows you to press clutch/brake pedal all the way down (See Fig. 8).
- Get off seat without moving its adjusted position.
- Raise seat and tighten adjustment bolt securely.

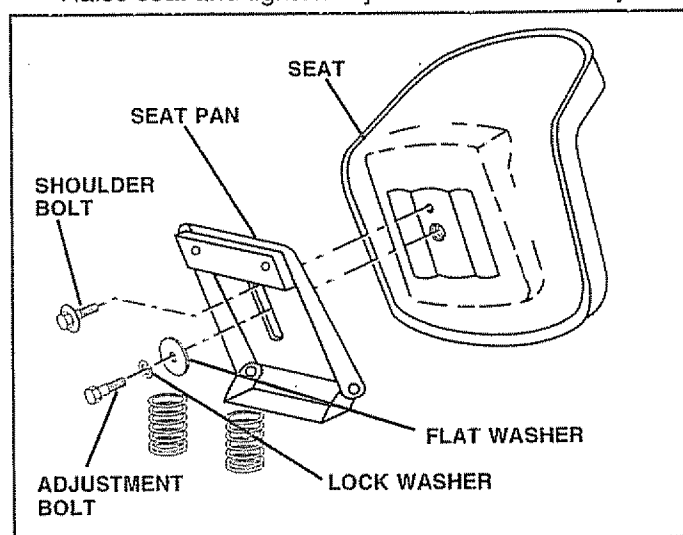


FIG. 4

CHECK TIRE PRESSURE

The tires on your tractor were overinflated at the factory for shipping purposes. Correct tire pressure is important for best cutting performance.

- Reduce tire pressure to PSI shown in "PRODUCT SPECIFICATIONS" on page 3 of this manual.

CHECK DECK LEVELNESS

For best cutting results, mower housing should be properly leveled. See "TO LEVEL MOWER HOUSING" in the Service and Adjustments section of this manual.

CHECK FOR PROPER POSITION OF ALL BELTS

See the figures that are shown for replacing motion and mower blade drive belts in the Service and Adjustments section of this manual. Verify that the belts are routed correctly.

CHECK BRAKE SYSTEM

After you learn how to operate your tractor, check to see that the brake is properly adjusted. See "TO ADJUST BRAKE" in the Service and Adjustments section of this

ASSEMBLY

INSTALL BATTERY (See Figs. 5 & 6)



CAUTION: Do not short battery terminals. Before installing battery, remove metal bracelets, wristwatch bands, rings, etc.

Positive terminal must be connected first to prevent sparking from accidental grounding.

- Lift seat to raised position.
- Open battery box door.
- Be sure drain tube is attached to bottom of battery box and tube passes through to hole in chassis for proper drainage.
- Lower battery into battery box with battery terminals toward front of tractor.
- First connect RED battery cable and RED fused ignition wire to positive (+) battery terminal with hex bolt, flat washer, lock washer and hex nut as shown. Tighten securely.
- Connect BLACK grounding cable to negative (-) battery terminal with remaining hex bolt, flat washer, lock washer and hex nut. Tighten securely.
- Close battery box door.

Open battery box door for:

- Inspection for secure connections (to tighten hardware).
- Inspection for corrosion.
- Testing battery.
- Jumping (if required).
- Periodic charging.

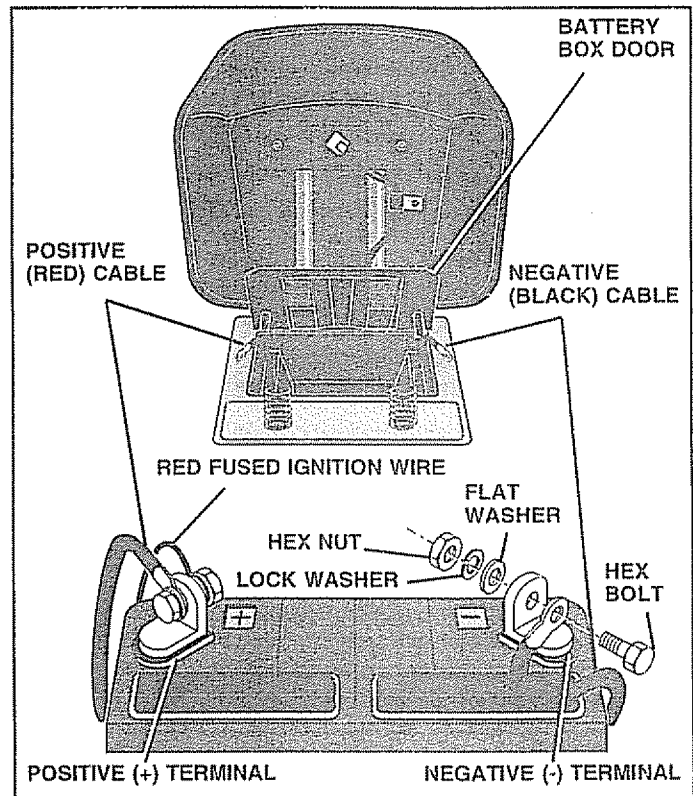


FIG. 5

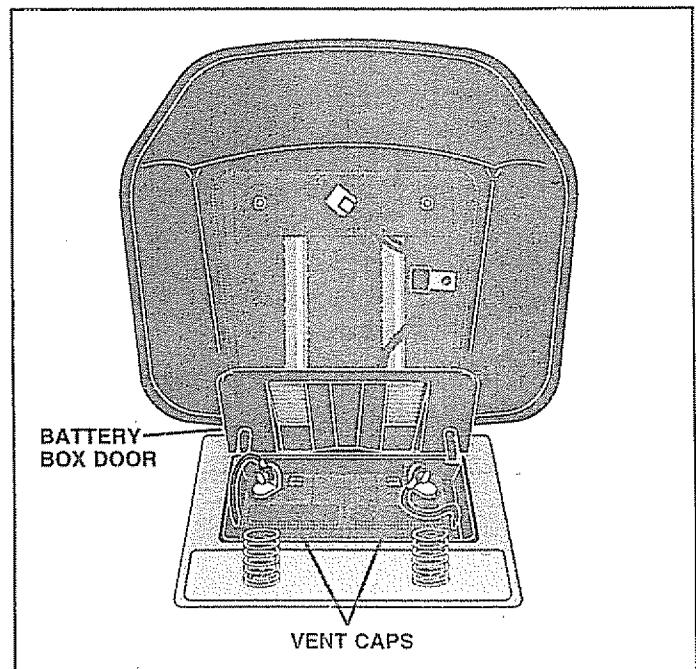


FIG. 6

ASSEMBLY

INSTALL MULCHER PLATE (See Figs. 7 & 8)



CAUTION: Do not remove discharge guard from mower. Raise and hold guard when attaching mulcher plate and allow it to rest on plate while in operation.

- ① Raise and hold deflector shield in the upright position.
- ② Position alignment cup over rear baffle.
- ③ Pivot mulcher plate forward and hook on mounting bolt. Be sure hang tab hooks top of deck opening.
- ④ Assemble flat washer, lock washer and wing nut to mounting bolt and tighten securely.

TO CONVERT TO BAGGING OR DISCHARGING

Simply remove mulcher plate and store in a safe place. Your mower is now ready for discharging or installation of optional grass catcher accessory.

NOTE: If discharging or bagging results are unsatisfactory with mulcher blades on mower, remove the mulcher blades and install high performance discharging blades, which are available at Retail and Catalog stores.

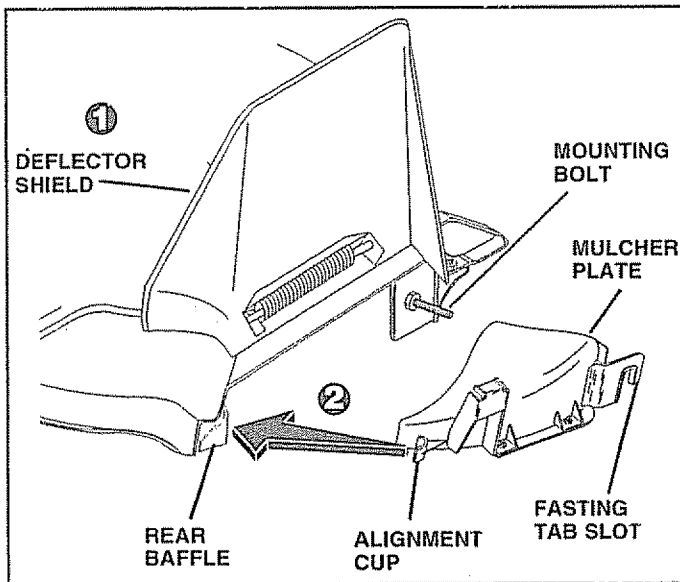


FIG. 7

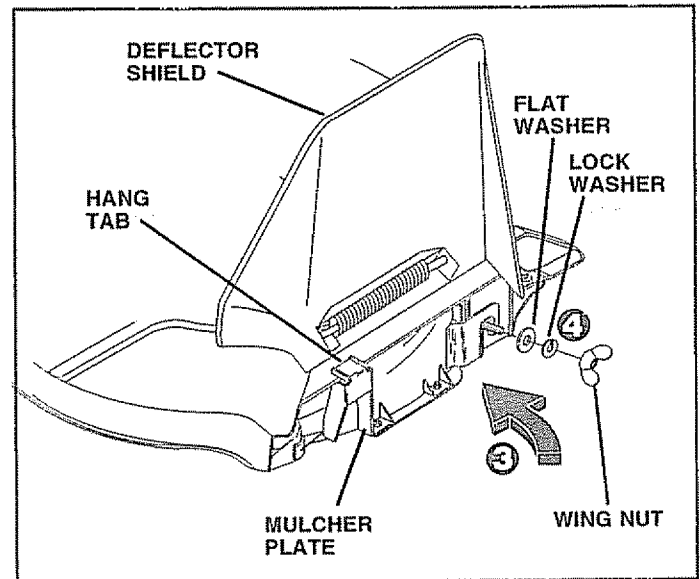


FIG. 8

✓ CHECKLIST

BEFORE YOU OPERATE AND ENJOY YOUR NEW TRACTOR, WE WISH TO ASSURE THAT YOU RECEIVE THE BEST PERFORMANCE AND SATISFACTION FROM THIS QUALITY PRODUCT.

PLEASE REVIEW THE FOLLOWING CHECKLIST:

- ✓ All assembly instructions have been completed.
- ✓ No remaining loose parts in carton.
- ✓ Battery is properly prepared and charged. (Minimum 1 hour at 6 amps).
- ✓ Seat is adjusted comfortably and tightened securely.
- ✓ All tires are properly inflated. (For shipping purposes, the tires were overinflated at the factory).
- ✓ Be sure mower deck is properly leveled side-to-side/ front-to-rear for best cutting results. (Tires must be properly inflated for leveling).
- ✓ Check mower and drive belts. Be sure they are routed properly around pulleys and inside all belt keepers.
- ✓ Check wiring. See that all connections are still secure and wires are properly clamped.

WHILE LEARNING HOW TO USE YOUR TRACTOR, PAY EXTRA ATTENTION TO THE FOLLOWING IMPORTANT ITEMS:

- ✓ Engine oil is at proper level.
- ✓ Fuel tank is filled with fresh, clean, regular unleaded gasoline.
- ✓ Become familiar with all controls - their location and function. Operate them before you start the engine.
- ✓ Be sure brake system is in safe operating condition.

OPERATION

KNOW YOUR LAWN TRACTOR

READ THIS OWNER'S MANUAL & SAFETY RULES BEFORE OPERATING YOUR TRACTOR.

Compare the illustrations with your tractor to familiarize yourself with the location of various controls and adjustments. Save this manual for future reference.

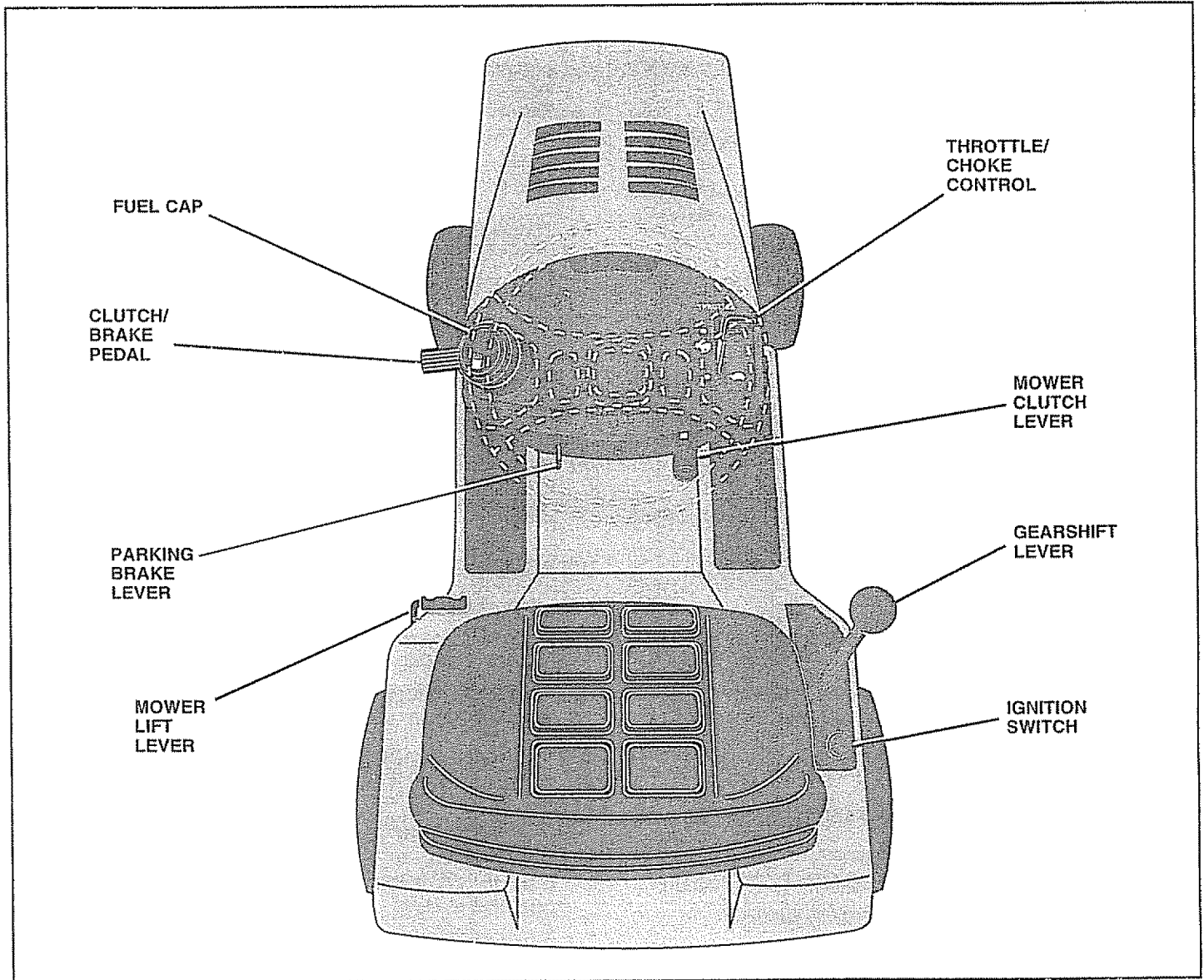


FIG. 9

Sears tractors conform to the safety standards of the American National Standards Institute.

IGNITION SWITCH: Used for starting and stopping the engine.

THROTTLE/CHOKE CONTROL: Used for starting and controlling engine speed.

CLUTCH/BRAKE PEDAL: Used for declutching and braking the tractor and starting the engine.

GEARSHIFT LEVER: Selects the speed and direction of tractor.

PARKING BRAKE LEVER: Locks clutch/brake pedal into the brake position.

MOWER CLUTCH LEVER: Used to engage the mower blades.

MOWER LIFT LEVER: Used to raise and lower the mower deck.

OPERATION



The operation of any tractor can result in foreign objects thrown into the eyes, which can result in severe eye damage. Always wear safety glasses or eye shields before starting your tractor and while moving. We recommend wide vision safety mask for over the spectacles or standard safety glasses.

HOW TO USE YOUR TRACTOR

TO SET PARKING BRAKE (See Fig. 10)

- Depress clutch/brake pedal into full "BRAKE" position and hold.
- Place parking brake lever in "ENGAGED" position and release pressure from clutch/brake pedal. Pedal should remain in "BRAKE" position. Make sure parking brake will hold tractor secure.

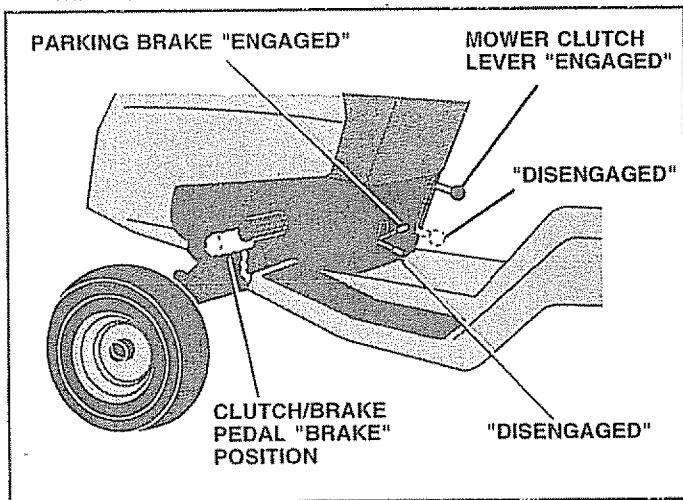


FIG. 10

STOPPING (See Figs. 10 & 11)

MOWER BLADES -

- Move mower clutch lever to "DISENGAGED" position.

GROUND DRIVE -

- Depress clutch/brake pedal into full "BRAKE" position.
- Move gearshift lever to "NEUTRAL" position.

ENGINE -

- Move throttle control to "SLOW" position.

NOTE: Failure to move throttle control to "SLOW" position and allowing engine to idle before stopping may cause engine to "backfire".

- Turn ignition key to "OFF" position and remove key. Always remove key when leaving tractor to prevent unauthorized use.
- Never use choke to stop engine.

NOTE: Under certain conditions when tractor is standing idle with the engine running, hot engine exhaust gases may cause "browning" of grass. To eliminate this possibility, always stop engine when stopping tractor on grass areas.



CAUTION: Always stop tractor completely, as described above, before leaving the operator's position, to empty grass catcher, etc.

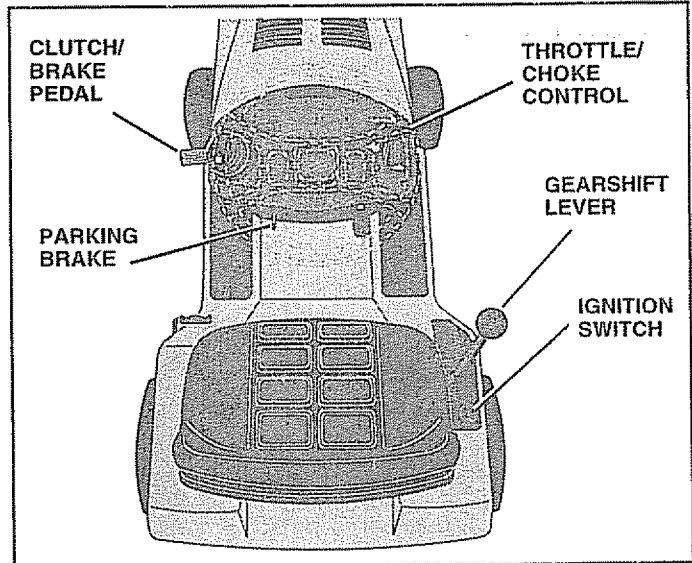


FIG. 11

TO USE THROTTLE CONTROL (See Fig. 11)

Always operate engine at full throttle.

- Operating engine at less than full throttle reduces the battery charging rate.
- Full throttle offers the best bagging and mower performance.

TO MOVE FORWARD AND BACKWARD (See Figs. 10 & 11)

The direction and speed of movement is controlled by the gearshift lever.

- Start tractor with clutch/brake pedal depressed and gearshift lever in "NEUTRAL" position.
- Move gearshift lever to desired position.
- Slowly release clutch/brake pedal to start movement.

IMPORTANT: BRING TRACTOR TO A COMPLETE STOP BEFORE SHIFTING OR CHANGING GEARS. FAILURE TO DO SO WILL SHORTEN THE USEFUL LIFE OF YOUR TRANSAXLE.

TO ADJUST MOWER CUTTING HEIGHT (See Fig. 12)

The position of the mower lift lever determines the cutting height. The position of the mower lift lever can be adjusted to desired position.

- Grasp lift lever as shown, lift away from fender and move forward or back to desired position.

The cutting height range is approximately 1-1/8" to 3-5/8". The heights are measured from the ground to the blade tip with the engine not running. These heights are approximate and may vary depending upon soil conditions, height of grass and types of grass being mowed.

OPERATION

- The average lawn should be cut to approximately 2-1/2 inches during the cool season and to over 3 inches during hot months. For healthier and better looking lawns, mow often and after moderate growth.
- For best cutting performance, grass over 6 inches in height should be mowed twice. Make the first cut relatively high; the second to desired height.

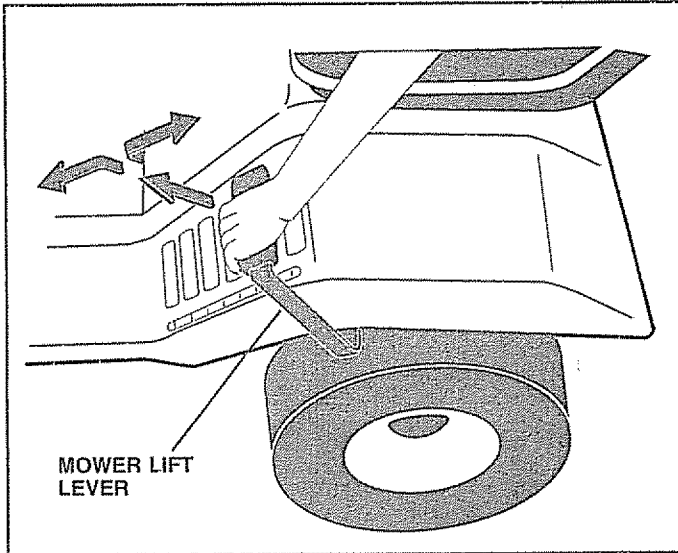


FIG. 12

TO OPERATE MOWER (See Figs. 10 & 12)

Your tractor is equipped with an operator presence sensing switch. Any attempt by the operator to leave the seat with the engine running and the mower clutch engaged will shut off the engine.

- Select desired height of cut.
- Engage mower by slowly moving mower clutch lever to "ENGAGED" position.
- TO STOP MOWER - Move mower clutch lever to "DISENGAGED" position.



CAUTION: Do not operate the mower without either the entire grass catcher, on mowers so equipped, or the discharge guard in place.

TO OPERATE ON HILLS



CAUTION: Do not drive up or down hills with slopes greater than 15° and do not drive across any slope.

- Choose the slowest speed before starting up or down hills.
- Avoid stopping or changing speed on hills.
- If slowing is necessary, move throttle control lever to slower position.
- If stopping is absolutely necessary, push clutch/brake pedal quickly to brake position and engage parking brake.

- Move gearshift lever to 1st gear and be sure you have allowed room for tractor to roll slightly as you restart movement.
- To restart movement, slowly release parking brake and clutch/brake pedal.
- Make all turns slowly.

TO TRANSPORT

- Raise mower lift lever to highest position.
- When pushing or towing your tractor, be sure gearshift lever is in "NEUTRAL" position.
- Do not push tractor at more than five (5) MPH.

NOTE: To protect hood from damage when transporting your tractor on a truck or trailer, be sure hood is closed and secured to tractor. Use an appropriate means of tying hood to tractor (rope, cord, etc.).

BEFORE STARTING THE ENGINE

CHECK ENGINE OIL LEVEL (See Fig. 18)

- The engine in your tractor has been shipped from the factory already filled with summer weight oil.
- Check engine oil with tractor on level ground.
- Remove oil fill dipstick and wipe clean, replace and screw cap tight, wait for a few seconds, remove and read oil level. If necessary, add oil until "FULL" mark on dipstick is reached. Do not overfill.
- For cold weather operation you should change oil for easier starting (see "OIL VISCOSITY CHART" in the Customer Responsibilities section of this manual).
- To change engine oil, see the Customer Responsibilities section in this manual.

ADD GASOLINE

- Fill fuel tank. Use fresh, clean, regular unleaded gasoline. (Use of leaded gasoline will increase carbon and lead oxide deposits and reduce valve life).

IMPORTANT: WHEN OPERATING IN TEMPERATURES BELOW 32°F(0°C), USE FRESH, CLEAN WINTER GRADE GASOLINE TO HELP INSURE GOOD COLD WEATHER STARTING.

WARNING: Experience indicates that alcohol blended fuels (called gasohol or using ethanol or methanol) can attract moisture which leads to separation and formation of acids during storage. Acidic gas can damage the fuel system of an engine while in storage. To avoid engine problems, the fuel system should be emptied before storage of 30 days or longer. Drain the gas tank, start the engine and let it run until the fuel lines and carburetor are empty. Use fresh fuel next season. See Storage Instructions for additional information. Never use engine or carburetor cleaner products in the fuel tank or permanent damage may occur.



CAUTION: Fill to bottom of gas tank filler neck. Do not overfill. Wipe off any spilled oil or fuel. Do not store, spill or use gasoline near an open flame.

OPERATION

TO START ENGINE (See Fig. 9)

When starting engine for the first time or if engine has run out of fuel, it will take extra cranking time to move fuel from the tank to the engine.

- Depress the clutch/brake pedal and set the parking brake.
- Place gearshift lever in "NEUTRAL" position.
- Move mower clutch to "DISENGAGED" position.
- Move throttle control lever to "CHOKE" position for cold engine start. For warm engine start, move throttle control to "FAST" position.
- Turn ignition key clockwise to "START" position and release key as soon as engine starts. Do not run starter continuously for more than fifteen seconds per minute. If engine does not start after several attempts, move throttle control to "FAST" position, wait a few minutes and try again.
- When engine starts, move throttle control to desired position.
- Allow engine to warm up for a few minutes before engaging drive or attachment clutch.

NOTE: If at a high altitude (above 3000 feet) or in cold temperatures (below 32° F), the carburetor fuel mixture may need to be adjusted for best engine performance. See "TO ADJUST CARBURETOR" in the Service and Adjustments section of this manual.

MOWING TIPS

- Mower should be properly leveled for best mowing performance. See "TO LEVEL MOWER HOUSING" in the Service and Adjustments section of this manual.
- The left hand side of mower should be used for trimming.
- Drive so that clippings are discharged onto the area that has been cut. Have the cut area to the right of the tractor. This will result in a more even distribution of clippings and more uniform cutting.
- When mowing large areas, start by turning to the right so that clippings will discharge away from shrubs, fences, driveways, etc. After one or two rounds, mow in the opposite direction making left hand turns until finished (See Fig. 13).
- If grass is extremely tall, it should be mowed twice to reduce load and possible fire hazard from dried clippings. Make first cut relatively high; the second to the desired height.
- Do not mow grass when it is wet. Wet grass will plug mower and leave undesirable clumps. Allow grass to dry before mowing.
- Always operate engine at full throttle when mowing to assure better mowing performance and proper discharge of material. Regulate ground speed by selecting a low enough gear to give the mower cutting performance as well as the quality of cut desired.
- When operating attachments, select a ground speed that will suit the terrain and give best performance of the attachment being used.

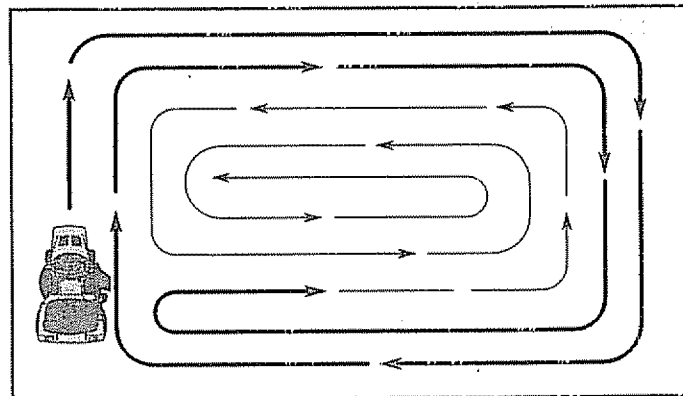


FIG. 13

MULCHING MOWING TIPS

IMPORTANT: FOR BEST PERFORMANCE, KEEP MOWER HOUSING FREE OF BUILT-UP GRASS AND TRASH. CLEAN AFTER EACH USE.

- The special mulching blade will recut the grass clippings many times and reduce them in size so that as they fall onto the lawn they will disperse into the grass and not be noticed. Also, the mulched grass will biodegrade quickly to provide nutrients for the lawn. Always mulch with your highest engine (blade) speed as this will provide the best recutting action of the blades.
- Avoid cutting your lawn when it is wet. Wet grass tends to form clumps and interferes with the mulching action. The best time to mow your lawn is the early afternoon. At this time the grass has dried and the newly cut area will not be exposed to the direct sun.
- For best results, adjust the mower cutting height so that the mower cuts off only the top one-third of the grass blades (See Fig. 14). For extremely heavy mulching, reduce your width of cut on each pass and mow slowly.
- Certain types of grass and grass conditions may require that an area be mulched a second time to completely hide the clippings. When doing a second cut, mow across or perpendicular to the first cut path.
- Change your cutting pattern from week to week. Mow north to south one week then change to east to west the next week. This will help prevent matting and graining of the lawn.

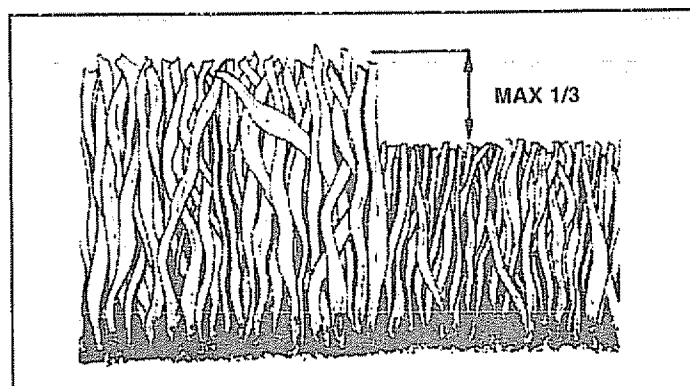


FIG. 14

CUSTOMER RESPONSIBILITIES

MAINTENANCE SCHEDULE FILL IN DATES AS YOU COMPLETE REGULAR SERVICE		BEFORE EACH USE					SERVICE DATES							
		BEFORE EACH USE	FIRST 2 HOURS	EVERY 8 HOURS	EVERY 25 HOURS	EVERY 50 HOURS	EVERY 100 HOURS	EVERY SEASON	BEFORE STORAGE					
TRACTOR	Check Brake Operation	✓		✓										
	Check Tire Pressure	✓		✓										
	Check for Loose Fasteners	✓								✓				
	Sharpen/Replace Mower Blades				✓ ₄									
	Lubrication Chart				✓					✓				
	Check Battery Level/Recharge				✓									
	Clean Battery and Terminals				✓					✓				
	Check Transaxle Cooling				✓									
	Adjust Blade Belt(s) Tension								✓ ₅					
	Adjust Motion Drive Belt(s) Tension								✓ ₅					
ENGINE	Check Engine Oil Level	✓		✓										
	Change Engine Oil		✓		✓ _{1,2,3}					✓				
	Clean Air Filter				✓ ₂									
	Clean Air Screen				✓ ₂									
	Inspect Muffler/Spark Arrester					✓								
	Replace Oil Filter (If equipped)								✓ _{1,2}					
	Clean Engine Cooling Fins								✓ ₂					
	Replace Spark Plug								✓	✓				
	Replace Air Filter Paper Cartridge								✓ ₂					
	Replace Fuel Filter									✓				

1 - Change more often when operating under a heavy load or in high ambient temperatures
2 - Service more often when operating in dirty or dusty conditions

3 - If equipped with oil filter, change oil every 50 hours
4 - Replace blades more often when mowing in sandy soil
5 - If equipped with adjustable system

GENERAL RECOMMENDATIONS

The warranty on this tractor does not cover items that have been subjected to operator abuse or negligence. To receive full value from the warranty, operator must maintain tractor as instructed in this manual.

Some adjustments will need to be made periodically to properly maintain your tractor.

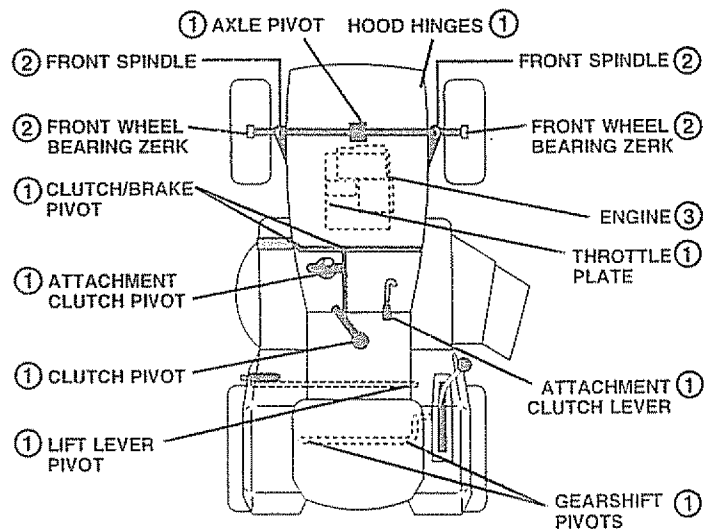
All adjustments in the Service and Adjustments section of this manual should be checked at least once each season.

- Once a year you should replace the spark plug, clean or replace air filter, and check blades and belts for wear. A new spark plug and clean air filter assure proper air-fuel mixture and help your engine run better and last longer.

BEFORE EACH USE

- Check engine oil level.
- Check brake operation.
- Check tire pressure.
- Check for loose fasteners.

LUBRICATION CHART



① SAE 30 OR 10W30 MOTOR OIL API - SG

② GENERAL PURPOSE GREASE

③ REFER TO CUSTOMER RESPONSIBILITIES "ENGINE" SECTION

IMPORTANT: DO NOT OIL OR GREASE THE PIVOT POINTS WHICH HAVE SPECIAL NYLON BEARINGS. VISCOUS LUBRICANTS WILL ATTRACT DUST AND DIRT THAT WILL SHORTEN THE LIFE OF THE SELF-LUBRICATING BEARINGS. IF YOU FEEL THEY MUST BE LUBRICATED, USE ONLY A DRY, POWDERED GRAPHITE TYPE LUBRICANT SPARINGLY

CUSTOMER RESPONSIBILITIES

TRACTOR

Always observe safety rules when performing any maintenance.

BRAKE OPERATION

If tractor requires more than six (6) feet stopping distance at high speed in highest gear, then brake must be adjusted. (See "TO ADJUST BRAKE" in the Service and Adjustments section of this manual).

TIRES

- Maintain proper air pressure in all tires (See "PRODUCT SPECIFICATIONS" on page 3 of this manual).
- Keep tires free of gasoline, oil, or insect control chemicals which can harm rubber.
- Avoid stumps, stones, deep ruts, sharp objects and other hazards that may cause tire damage.

BLADE CARE

For best results mower blades must be kept sharp. Replace bent or damaged blades.

BLADE REMOVAL (See Fig. 15)

- Raise mower to highest position to allow access to blades.
- Remove hex bolt, lock washer and flat washer securing blade.
- Install new or resharpened blade with trailing edge up towards deck as shown.
- Reassemble hex bolt, lock washer and flat washer in exact order as shown.
- Tighten bolt securely (30-35 Ft. Lbs. torque).

IMPORTANT: BLADE BOLT IS GRADE 8 HEAT TREATED.

NOTE: We do not recommend sharpening blade - but if you do, be sure the blade is balanced.

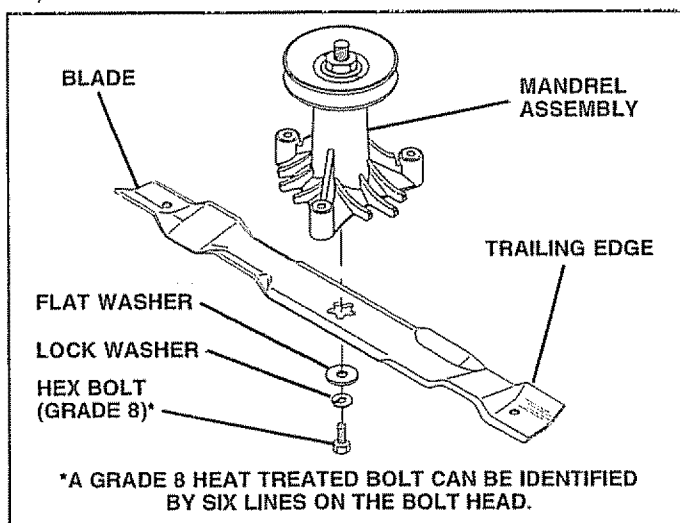


FIG. 15

TO SHARPEN BLADE (See Fig. 16)

Care should be taken to keep the blade balanced. An unbalanced blade will cause excessive vibration and eventual damage to mower and engine.

- The blade can be sharpened with a file or on a grinding wheel. Do not attempt to sharpen while on the mower.
- To check blade balance, you will need a 5/8" diameter steel bolt, pin, or a cone balancer. (When using a cone balancer, follow the instructions supplied with balancer).
- Slide blade on to an unthreaded portion of the steel bolt or pin and hold the bolt or pin parallel with the ground. If blade is balanced, it should remain in a horizontal position. If either end of the blade moves downward, sharpen the heavy end until the blade is balanced.

NOTE: Do not use a nail for balancing blade. The lobes of the center hole may appear to be centered, but are not.

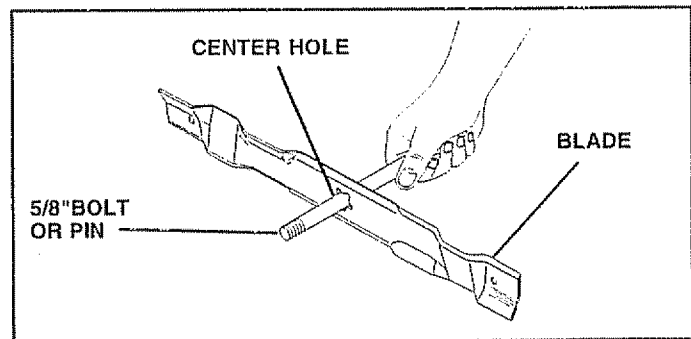


FIG. 16

BATTERY (See Fig. 17)

Your unit has a battery charging system which is sufficient for normal use. However, periodic charging of the battery with an automotive charger will extend its life.

- Acid solution level in each battery cell should be even with bottoms of vent wells. Add only distilled or iron free water if necessary. Do not overfill.
- Keep battery and terminals clean.
- Keep battery bolts tight.
- Keep vent caps tight and small vent holes in caps open.
- Recharge at 6 amperes for 1 hour.

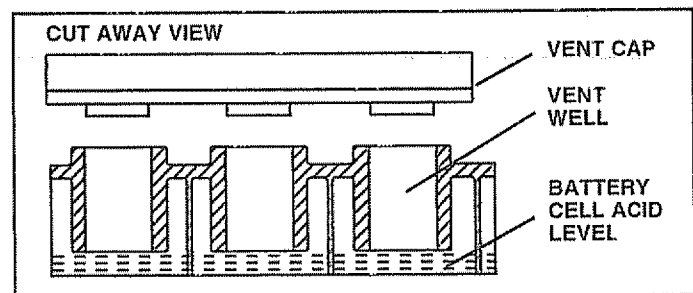


FIG. 17

CUSTOMER RESPONSIBILITIES

TO CLEAN BATTERY AND TERMINALS -

Corrosion and dirt on the battery and terminals can cause the battery to "leak" power.

- Open battery box door.
- Disconnect BLACK battery cable first then RED battery cable and remove battery from tractor.
- Wash battery with solution of four tablespoons of baking soda to one gallon of water. Be careful not to get the soda solution into the cells.
- Rinse the battery with plain water and dry.
- Clean terminals and battery cable ends with wire brush until bright.
- Coat terminals with grease or petroleum jelly.
- Reinstall battery (See "INSTALL BATTERY" in the Assembly section of this manual).

V- BELTS

Check V-Belts for deterioration and wear after 100 hours of operation. Replace if necessary. The belts are not adjustable. Replace belts if they begin to slip from wear.

TRANSAXLE COOLING

Keep transaxle free from build-up of dirt and chaff which can restrict cooling.

ENGINE

LUBRICATION

Only use high quality detergent oil rated with API service classification SG. Select the oil's SAE viscosity grade according to your expected operating temperature.

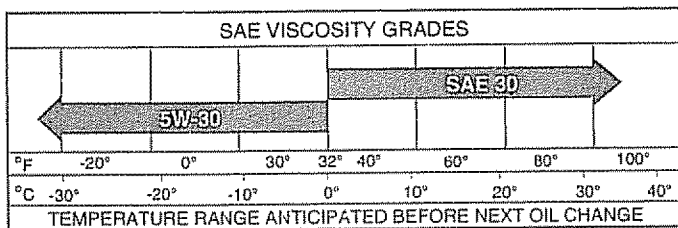


FIG. 18

NOTE: Although multiviscosity oils (5W30, 10W30 etc.) improve starting in cold weather, these multi-viscosity oils will result in increased oil consumption when used above 32°F. Check your engine oil level more frequently to avoid possible engine damage from running low on oil.

Change the oil after the first two hours of operation and every 25 hours of operation thereafter or at least once a year if the tractor is not used for 25 hours in one year.

Check the crankcase oil level before starting the engine and after each eight (8) hours of operation. Tighten oil fill cap/dipstick securely each time you check the oil level.

TO CHANGE ENGINE OIL (See Fig. 18) -

Determine temperature range expected before oil change. All oil must meet API service classification SG.

- Be sure tractor is on level surface.
- Oil will drain more freely when warm.
- Catch oil in a suitable container.
- Remove oil fill dipstick. Be careful not to allow dirt to enter the engine when changing oil.
- Remove drain plug.
- After oil has drained completely, replace oil drain plug and tighten securely.
- Refill engine with oil through oil fill dipstick tube. Pour slowly. Do not overfill. For approximate capacity see "PRODUCT SPECIFICATIONS" on page 3 of this manual.
- Use gauge on oil fill dipstick for checking level. Be sure dipstick cap is tightened securely for accurate reading. Keep oil at "FULL" line on dipstick.

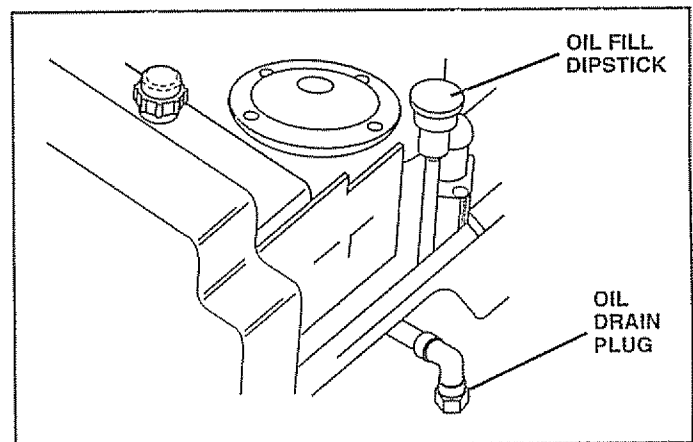


FIG. 19

AIR FILTER (See Fig. 20)

Your engine will not run properly using a dirty air filter. Clean the foam pre-cleaner element after every 25 hours of operation or every season. Service paper cartridge every 100 hours of operation or every season, whichever occurs first.

Service air cleaner more often under dusty conditions.

- Remove knob(s) and cover.

TO SERVICE PRE-CLEANER -

- Slide foam pre-cleaner off cartridge.
- Wash it in liquid detergent and water.
- Squeeze it dry in a clean cloth.
- Saturate it in engine oil. Wrap it in clean, absorbent cloth and squeeze to remove excess oil.
- Reinstall pre-cleaner over cartridge.
- Reinstall cover and secure with knob(s).

CUSTOMER RESPONSIBILITIES

TO SERVICE CARTRIDGE -

- Remove cartridge nut.
- Remove cartridge and clean by tapping gently on flat surface.
- If very dirty, replace or wash in a nonsudsing detergent and warm water solution. Rinse thoroughly with water from inside out until water runs clear. Let cartridge dry thoroughly before using.
- Reinstall cartridge, nut, precleaner, cover and secure with knob(s).

IMPORTANT: PETROLEUM SOLVENTS, SUCH AS KEROSENE, ARE NOT TO BE USED TO CLEAN THE CARTRIDGE. THEY MAY CAUSE DETERIORATION OF THE CARTRIDGE. DO NOT OIL CARTRIDGE. DO NOT USE PRESSURIZED AIR TO CLEAN OR DRY CARTRIDGE.

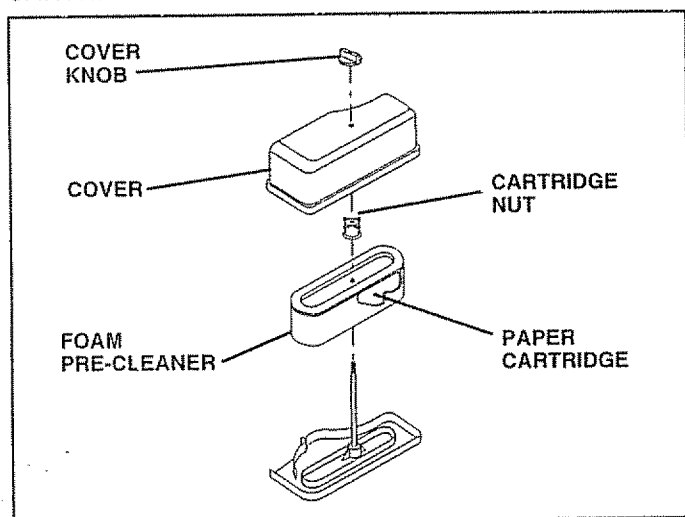


FIG. 20

AIR SCREEN (See Fig. 21)

The engine air screen must be kept free of dirt and chaff to prevent engine damage from overheating. Clean with a wire brush or compressed air to remove dirt and stubborn dried gum fibers.

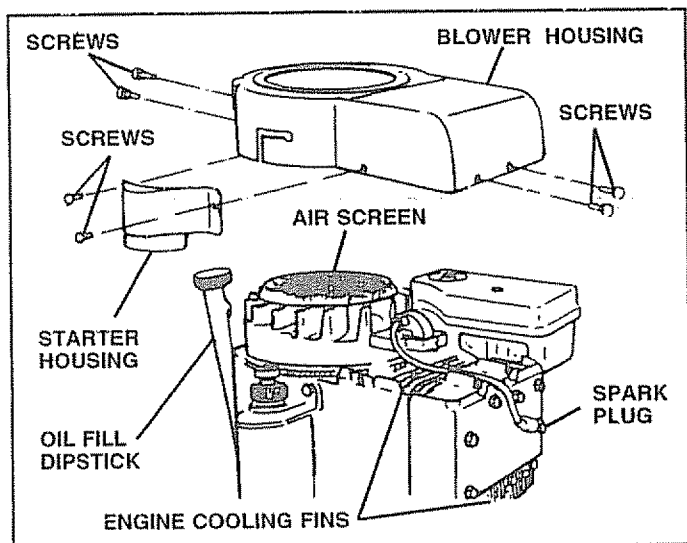


FIG. 21

ENGINE COOLING FINS (See Fig. 21)

Remove any dust, dirt or oil from engine cooling fins to prevent engine damage from overheating.

- Remove oil fill dipstick and cover opening to prevent entry of dirt.
- Remove screws from blower housing and lift housing off engine.
- Remove the screws securing the starter housing and lift housing off engine.
- Use compressed air or stiff bristle brush to thoroughly clean engine cooling fins.
- To reassemble, reverse above procedure.

MUFFLER

Inspect and replace corroded muffler and spark arrester (if equipped) as it could create a fire hazard and/or damage.

SPARK PLUGS

Replace spark plugs at the beginning of each mowing season or after every 100 hours of operation, whichever comes first. Spark plug type and gap setting are shown in "PRODUCT SPECIFICATIONS" on page 3 of this manual.

IN-LINE FUEL FILTER (See Fig. 22)

The fuel filter should be replaced once each season. If fuel filter becomes clogged, obstructing fuel flow to carburetor, replacement is required.

- With engine cool, remove filter and plug fuel line sections.
- Place new fuel filter in position in fuel line.
- Be sure there are no fuel line leaks and clamps are properly positioned.
- Immediately wipe up any spilled gasoline.

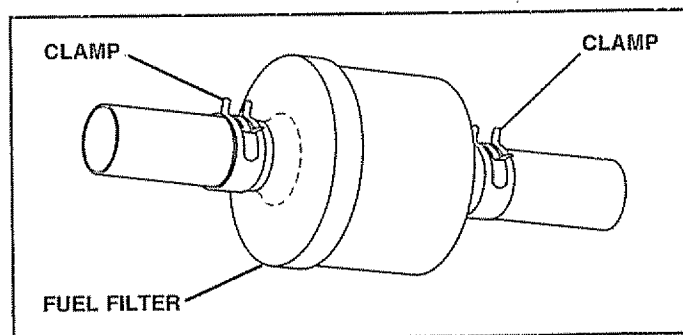


FIG. 22

CLEANING

- Clean engine, battery, seat, finish, etc. of all foreign matter.
- Keep finished surfaces and wheels free of all gasoline, oil, etc.
- Protect painted surfaces with automotive type wax.

We do not recommend using a garden hose to clean your unit unless the electrical system, muffler, air filter and carburetor are covered to keep water out. Water in engine can result in a shortened engine life.

SERVICE AND ADJUSTMENTS



CAUTION: BEFORE PERFORMING ANY SERVICE OR ADJUSTMENTS:

- Depress clutch/brake pedal fully and set parking brake.
- Place gearshift lever in "NEUTRAL" position.
- Place attachment clutch in "DISENGAGED" position.
- Turn ignition key "OFF" and remove key.
- Make sure the blades and all moving parts have completely stopped.
- Disconnect spark plug wire from spark plug and place wire where it cannot come in contact with plug.

TRACTOR

TO REMOVE MOWER (See Figs. 23 & 24)

Mower will be easier to remove from the right side of tractor.

- Park tractor on a level surface and engage parking brake.
- Be sure that mower clutch lever is in "DISENGAGED" position.
- Move attachment lift lever down to lowest cutting position.
- Roll belt off engine pulley.
- Disconnect clutch rod from clutch arm by removing retainer spring.
- Disconnect rear suspension arms from chassis by removing retainer springs.
- Disconnect front links from mower deck by removing retainer springs.
- Disconnect rear lift links from mower deck by removing retainer springs.



CAUTION: When rear lift links are removed, the lift arms will be pulled up to the frame by the counterbalance spring. Keep hands free when removing rear lift links from lift arms.

- Raise mower lift lever to highest position.
- Slide mower deck out on right side of tractor.

TO INSTALL MOWER (See Figs. 23 & 24)

- Move attachment lift lever up to its highest position.
- Slide mower deck under tractor with discharge guard to right side of tractor.
- Move attachment lift lever forward to its lowest position.
- Install mower deck in reverse order of removal instructions.

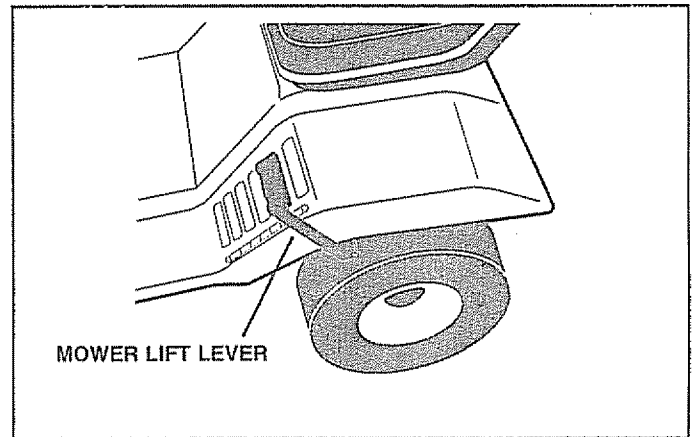


FIG. 23

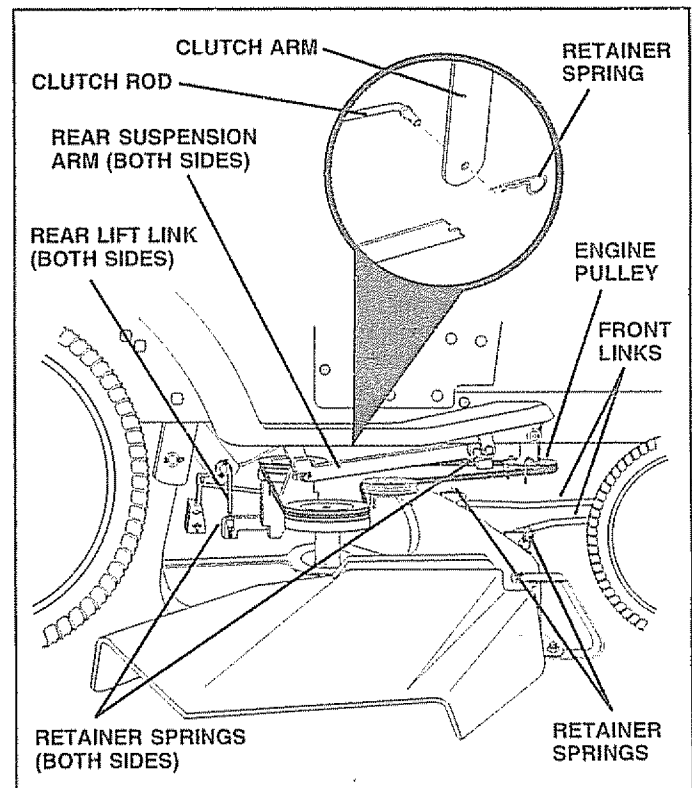


FIG. 24

SERVICE AND ADJUSTMENTS

TO LEVEL MOWER HOUSING

Adjust the mower while tractor is parked on level ground or driveway. Make sure tires are properly inflated (See "PRODUCT SPECIFICATIONS" on page 3 of this manual). If tires are over or underinflated, you will not properly adjust your mower.

SIDE-TO-SIDE ADJUSTMENT (See Figs. 25 and 26) -

You will need two (2) standard 2 x 4 short pieces of wood to make the following adjustment. Similar blocks measuring 1-1/2" thick may also be used.

- Raise mower with attachment lift control to allow two (2) 1-1/2" thick blocks to be placed under rear edge of mower deck.
- Place one block directly behind right mandrel. Place the remaining block under the stamped ridge on left side of rear edge of mower deck.

NOTE: Be sure blocks clear all hardware that may be exposed on underside of deck.

- Lower mower deck to its lowest height of cut position.
- Loosen nut "C" so that the adjustment plate can move up and down freely.
- Be sure the mower deck rests level on both 1-1/2" thick blocks. Retighten nut "C".
- Raise mower with attachment lift control and remove blocks from under mower.

PLACE TWO (2) 1-1/2" THICK BLOCKS UNDER REAR EDGE OF DECK AS SHOWN (Use wood 2 x 4's or equivalent)

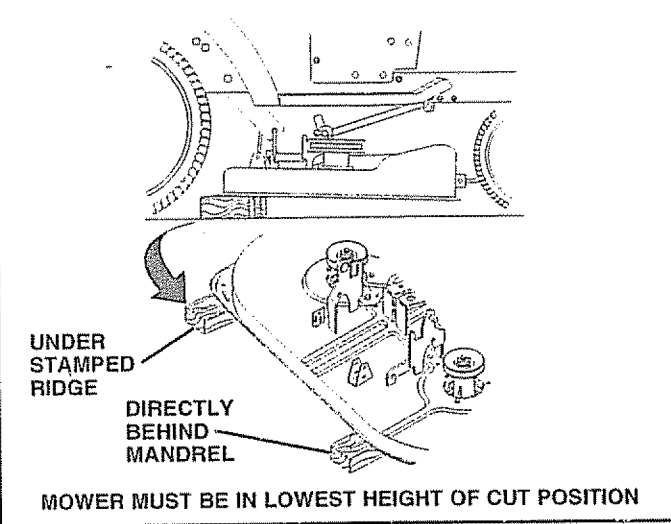


FIG. 25

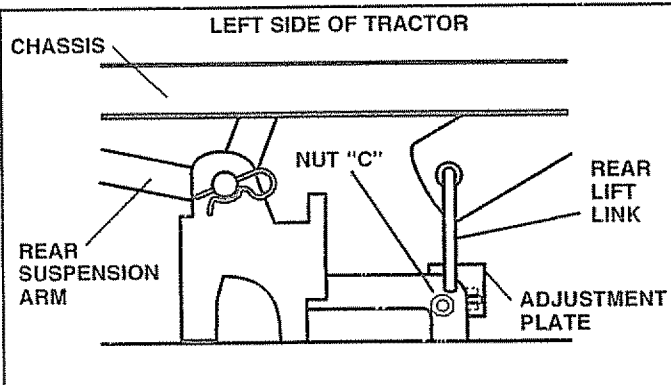


FIG. 26

FRONT-TO-BACK ADJUSTMENT (See Figs. 27 & 28) -

IMPORTANT: DECK MUST BE LEVEL SIDE-TO-SIDE. IF THE FOLLOWING FRONT-TO-BACK ADJUSTMENT IS NECESSARY, BE SURE TO ADJUST BOTH FRONT LINKS EQUALLY SO MOWER WILL STAY LEVEL SIDE-TO-SIDE.

To obtain the best cutting results, the mower housing should be adjusted so the front is approximately 1/4 to 3/4" lower than the rear when the mower is in its highest position.

Check adjustment on right side of tractor. Measure distance "F" directly in front of and behind the mandrel at bottom edge of mower housing as shown.

- Before making any necessary adjustments, check that both front links are equal in length.
- If links are not equal in length, adjust one link to same length as other link.
- To lower front of mower housing, loosen nut "G" on both front links an equal number of turns.
- When distance "F" is 1/4" to 3/4" lower at front than rear, tighten nut "H" against trunnion on both front links.
- To raise front of mower housing, loosen nut "H" from trunnion on both front links. Tighten nut "G" on both front links an equal number of turns.
- When distance "F" is 1/4" to 3/4" lower at front than rear, tighten nut "H" against trunnion on both front links.

NOTE: Each full turn of nut "G" will change dim. "F" by approximately 3/8 inch.

- Recheck side-to-side adjustment.

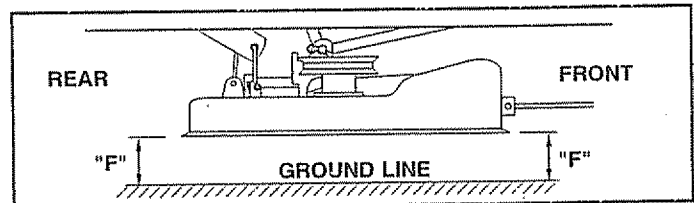


FIG. 27

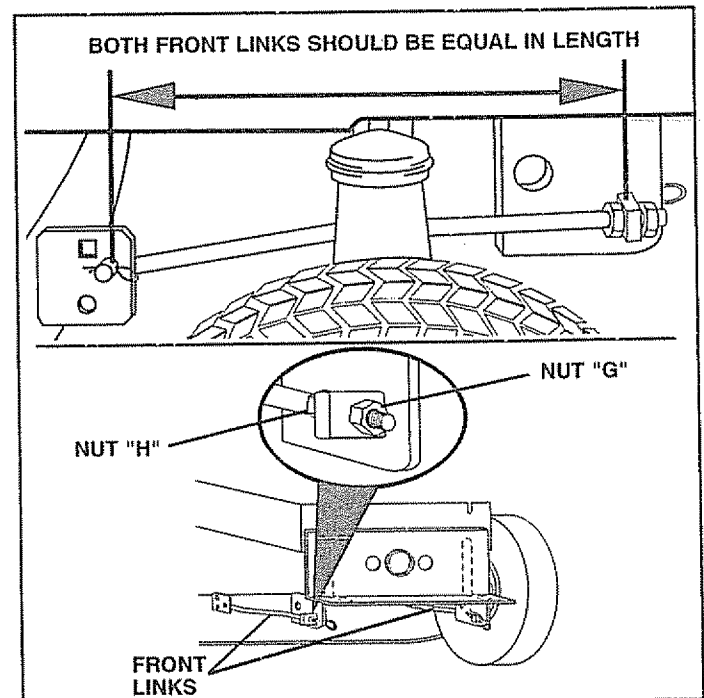


FIG. 28

SERVICE AND ADJUSTMENTS

TO ADJUST BRAKE (See Fig. 29)

Your tractor is equipped with an adjustable brake system which is mounted on the right side of the transaxle.

If tractor requires more than six (6) feet stopping distance at high speed in highest gear, then brake must be adjusted.

- Depress clutch/brake pedal and engage parking brake.
- Measure distance between brake operating arm and nut "A" on brake rod:
- If distance is other than 1-5/8", disengage parking brake, loosen jam nut and turn nut "A" until distance becomes 1-5/8". Retighten jam nut against nut "A".
- Engage parking brake and recheck distance.
- Road test tractor for proper stopping distance as stated above. Readjust if necessary. If stopping distance is still greater than six (6) feet in highest gear, further maintenance is necessary. Contact your nearest authorized service center.

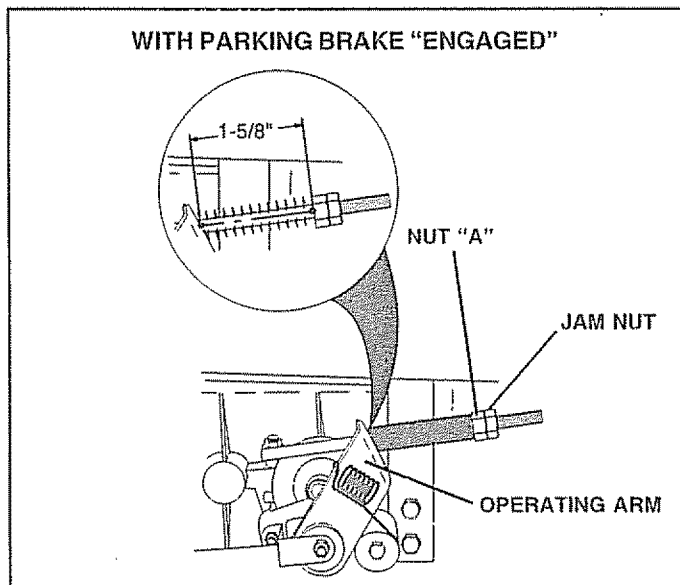


FIG. 29

TO REPLACE MOTION DRIVE BELT (See Fig. 30)

The tractor drive belt may be replaced without tools. Park the tractor on level area. Engage parking brake. For assistance, there is a belt installation guide decal on bottom side of left footrest.

- Engage parking brake.
- Lower mower lift lever to "lowest" position.
- Turn front wheels fully to left or right.
- Disconnect mower drive belt at engine pulley.
- Disconnect motion drive belt at clutching idler.
- Disconnect motion drive belt at transaxle. Push above transaxle pulley.

- Disconnect motion drive belt at chassis belt keeper.
- Disconnect motion drive belt at engine pulley. Thread belt below mower drive sheave and through engine belt keeper and engine pulley.
- Remove belt.
- Install new belt by reversing above procedure.
- Make sure that belt is inside all belt keepers.

IMPORTANT: REPLACE ONLY WITH BELT LISTED IN THIS MANUAL.

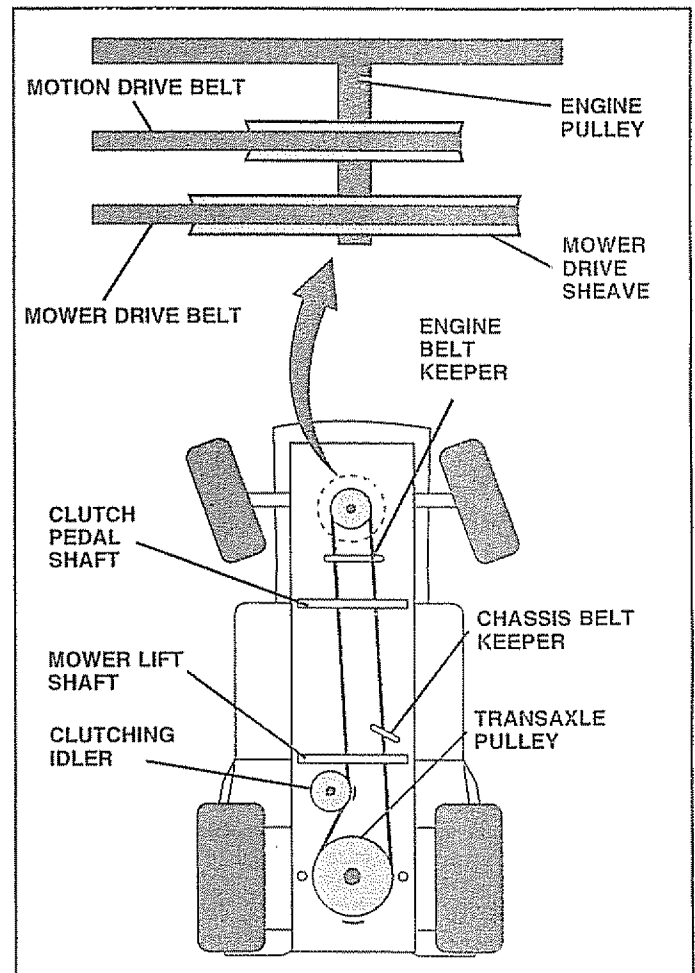


FIG. 30

TO ADJUST STEERING WHEEL ALIGNMENT

If steering wheel crossbars are not horizontal (left to right) when wheels are positioned straight forward, remove steering wheel and reassemble per instructions in the Assembly section of this manual.

FRONT WHEEL TOE-IN/CAMBER

The front wheel toe-in and camber are not adjustable on your tractor. If damage has occurred to affect the front wheel toe-in or camber, contact your nearest authorized service center.

SERVICE AND ADJUSTMENTS

TO REMOVE WHEEL FOR REPAIRS (See Fig. 31)

- Block up axle securely.
- Remove axle cover, retaining ring and washers to allow wheel removal (rear wheel contains a square key - Do not lose).
- Repair tire and reassemble.
- On rear wheels only: align grooves in rear wheel hub and axle. Insert square key.
- Replace washers and snap retaining ring securely in axle groove.
- Replace axle cover.

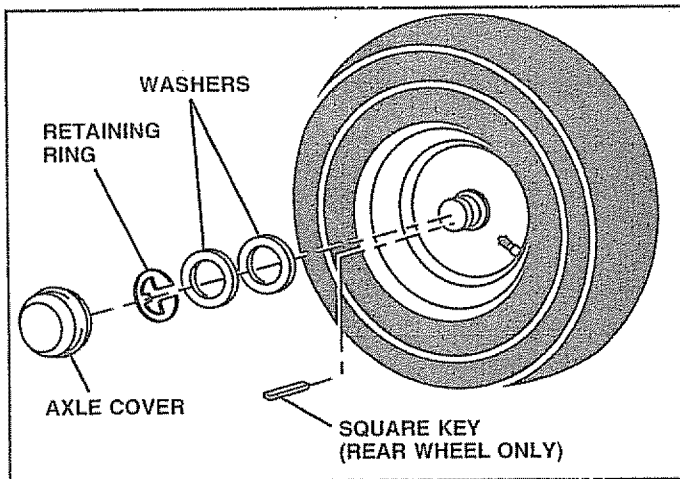


FIG. 31

TO START ENGINE WITH A WEAK BATTERY (See Fig. 32)



CAUTION: Lead-acid batteries generate explosive gases. Keep sparks, flame and smoking materials away from batteries. Always wear eye protection when around batteries.

If your battery is too weak to start the engine, it should be recharged. If "jumper cables" are used for emergency starting, follow this procedure:

IMPORTANT: YOUR TRACTOR IS EQUIPPED WITH A 12 VOLT NEGATIVE GROUND SYSTEM. THE OTHER VEHICLE MUST ALSO BE A 12 VOLT NEGATIVE GROUND SYSTEM. DO NOT USE YOUR TRACTOR BATTERY TO START OTHER VEHICLES.

TO ATTACH JUMPER CABLES -

- Connect each end of the RED cable to the POSITIVE (+) terminal of each battery, taking care not to short against chassis.
- Connect one end of the BLACK cable to the NEGATIVE (-) terminal of fully charged battery.
- Connect the other end of the BLACK cable to a good CHASSIS GROUND, away from fuel tank and battery.

TO REMOVE CABLES, REVERSE ORDER -

- BLACK cable first from chassis and then from the fully charged battery.
- RED cable last from both batteries.

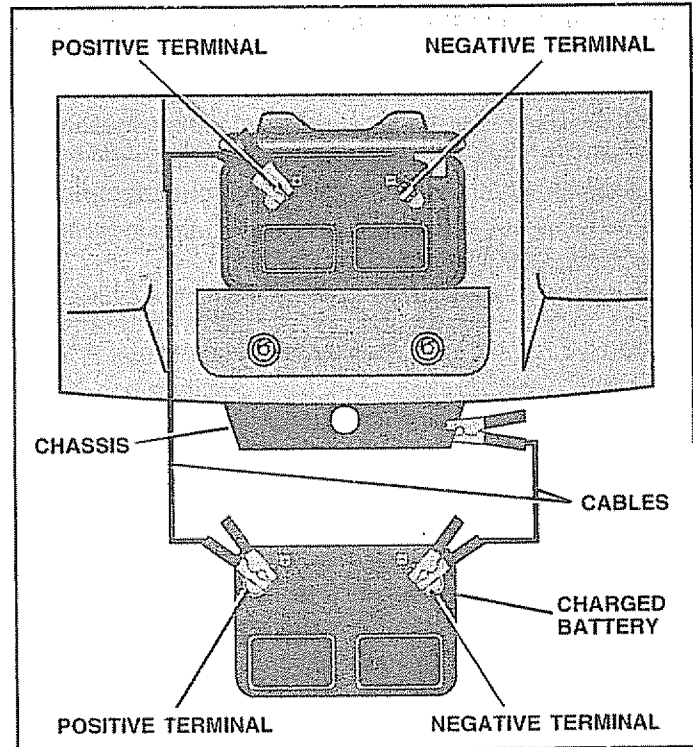


FIG. 32

TO REPLACE FUSE

Replace with 30 amp automotive-type plug-in fuse. The fuse holder is located next to the battery box, accessible from left rear wheel area.

INTERLOCKS AND RELAYS

Loose or damaged wiring may cause your tractor to run poorly, stop running or prevent it from starting.

- Check wiring. See the electrical wiring diagram in the Repair Parts section of this manual.

TO REMOVE HOOD (See Fig. 33)

- With hood closed, remove hood spring from pivot bracket.
- Remove left side and right side pivot.
- Lift hood off tractor.
- To reassemble hood, reverse above procedure.

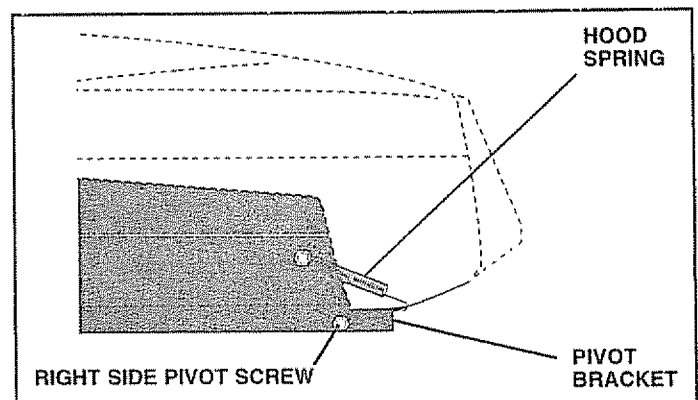


FIG. 33

SERVICE AND ADJUSTMENTS

ENGINE

TO ADJUST THROTTLE CONTROL CABLE (See Fig. 34)

The throttle control has been preset at the factory and adjustment should not be necessary. Check adjustment as described below before loosening cable. If adjustment is necessary, proceed as follows:

- With engine not running, move throttle control lever from "SLOW" to "CHOKE" position. Slowly move lever from "CHOKE" to "FAST" position.
- Check that holes "A" in governor control lever and hole in governor plate line-up. If holes "A" are not aligned, loosen clamp screw and move throttle cable until holes are aligned. Tighten clamp screw securely.

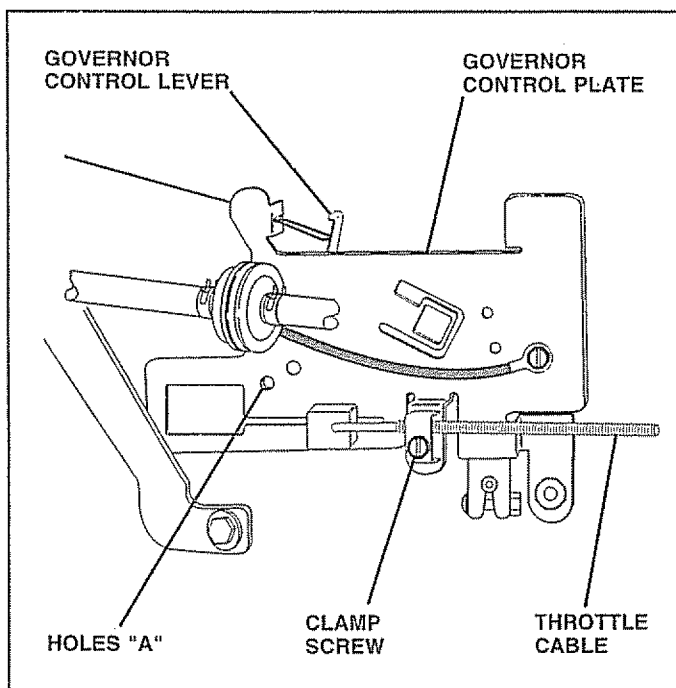


FIG. 34

TO ADJUST CARBURETOR (See Fig. 35)

The carburetor has been preset at the factory and adjustment should not be necessary. However, minor adjustment may be required to compensate for differences in fuel, temperature, altitude or load. If the carburetor does need adjustment, proceed as follows:

In general, turning idle mixture valve **in** (clockwise) decreases the supply of fuel to the engine giving a leaner fuel/air mixture. Turning the idle mixture valve **out** (counterclockwise) increases the supply of fuel to the engine giving a richer fuel/air mixture.

IMPORTANT: DAMAGE TO THE NEEDLE VALVE AND THE SEAT IN CARBURETOR MAY RESULT IF SCREW IS TURNED IN TOO TIGHT.

PRELIMINARY SETTING -

- Air cleaner assembly must be assembled to the carburetor when making carburetor adjustments.
- Be sure the throttle control cable is adjusted properly (see above).
- With engine off turn idle mixture valve **in** (clockwise) closing it finger tight and then turn **out** (counterclockwise) 1 full turn.

FINAL SETTING -

- Start engine and allow to warm for five minutes. Make final adjustments with engine running and shift/motion control lever in "NEUTRAL" position.
- Move throttle control lever to "SLOW" position. With finger, rotate and hold throttle lever against idle speed screw. Turn idle speed screw to attain 1750 RPM.
- While still holding throttle lever against idle speed screw, turn idle mixture valve **in** (clockwise) until engine begins to die and then turn **out** (counterclockwise) until engine runs rough. Turn valve to a point midway between those two positions. Release throttle lever.

ACCELERATION TEST -

- Move throttle control lever from "SLOW" to "FAST" position. If engine hesitates or dies, turn idle mixture valve **out** (counterclockwise) 1/8 turn. Repeat test and continue to adjust, if necessary, until engine accelerates smoothly.

High speed stop is factory adjusted. Do not adjust - damage may result.

IMPORTANT: NEVER TAMPER WITH THE ENGINE GOVERNOR, WHICH IS FACTORY SET FOR PROPER ENGINE SPEED. OVERSPEEDING THE ENGINE ABOVE THE FACTORY HIGH SPEED SETTING CAN BE DANGEROUS. IF YOU THINK THE ENGINE-GOVERNED HIGH SPEED NEEDS ADJUSTING, CONTACT YOUR NEAREST AUTHORIZED SERVICE CENTER, WHICH HAS PROPER EQUIPMENT AND EXPERIENCE TO MAKE ANY NECESSARY ADJUSTMENTS.

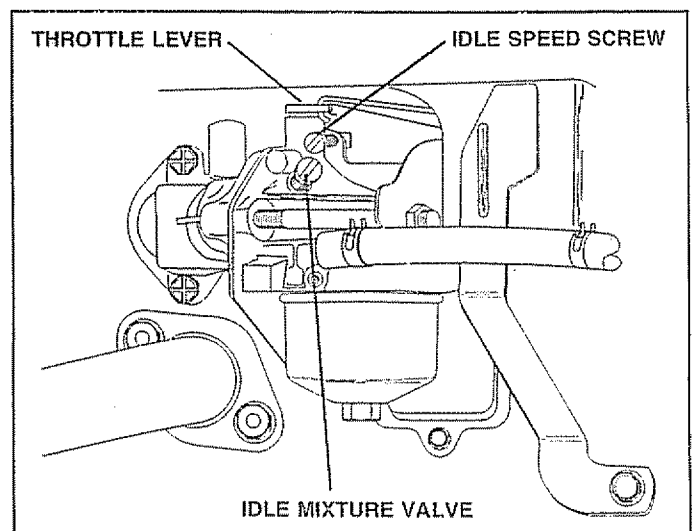


FIG. 35

STORAGE

Immediately prepare your tractor for storage at the end of the season or if the tractor will not be used for 30 days or more.



CAUTION: Never store the tractor with gasoline in the tank inside a building where fumes may reach an open flame or spark. Allow the engine to cool before storing in any enclosure.

TRACTOR

Remove mower from tractor for winter storage. When mower is to be stored for a period of time, clean it thoroughly, remove all dirt, grease, leaves, etc. Store in a clean, dry area.

- Clean entire tractor (See "CLEANING" in the Customer Responsibilities section of this manual).
- Inspect and replace belts, if necessary (See belt replacement instructions in the Service and Adjustments section of this manual).
- Lubricate as shown in the Customer Responsibilities section of this manual.
- Be sure that all nuts, bolts and screws are securely fastened. Inspect moving parts for damage, breakage and wear. Replace if necessary.
- Touch up all rusted or chipped paint surfaces; sand lightly before painting.

BATTERY

- Fully charge the battery for storage.
- After a period of time in storage, battery may require recharging.
- To help prevent corrosion and power leakage during long periods of storage, battery cables should be disconnected and battery cleaned thoroughly (see "TO CLEAN BATTERY AND TERMINALS" in the Customer Responsibilities section of this manual).
- After cleaning, leave cables disconnected and place cables where they cannot come in contact with battery terminals.
- Be sure battery drain tube is securely attached.
- If battery is removed from tractor for storage, do not store battery directly on concrete or damp surfaces.

ENGINE

FUEL SYSTEM

IMPORTANT: IT IS IMPORTANT TO PREVENT GUM DEPOSITS FROM FORMING IN ESSENTIAL FUEL SYSTEM PARTS SUCH AS CARBURETOR, FUEL FILTER, FUEL HOSE, OR TANK DURING STORAGE. ALSO, EXPERIENCE INDICATES THAT ALCOHOL BLENDED FUELS (CALLED GASOHOL OR USING ETHANOL OR METHANOL) CAN ATTRACT MOISTURE WHICH LEADS TO SEPARATION AND FORMATION OF ACIDS DURING STORAGE. ACIDIC GAS CAN DAMAGE THE FUEL SYSTEM OF AN ENGINE WHILE IN STORAGE.

- Drain the fuel tank.
- Start the engine and let it run until the fuel lines and carburetor are empty.
- Never use engine or carburetor cleaner products in the fuel tank or permanent damage may occur.
- Use fresh fuel next season.

NOTE: Fuel stabilizer is an acceptable alternative in minimizing the formation of fuel gum deposits during storage. Add stabilizer to gasoline in fuel tank or storage container. Always follow the mix ratio found on stabilizer container. Run engine at least 10 minutes after adding stabilizer to allow the stabilizer to reach the carburetor. Do not drain the gas tank and carburetor if using fuel stabilizer.

ENGINE OIL

Drain oil (with engine warm) and replace with clean engine oil. (See "ENGINE" in the Customer Responsibilities section of this manual).

CYLINDERS

- Remove spark plug(s).
- Pour one ounce of oil through spark plug hole(s) into cylinder(s).
- Turn ignition key to "START" position for a few seconds to distribute oil.
- Replace with new spark plug(s).

OTHER

- Do not store gasoline from one season to another.
- Replace your gasoline can if your can starts to rust. Rust and/or dirt in your gasoline will cause problems.
- If possible, store your tractor indoors and cover it to give protection from dust and dirt.
- Cover your tractor with a suitable protective cover that does not retain moisture. Do not use plastic. Plastic cannot breathe which allows condensation to form and will cause your tractor to rust.

IMPORTANT: NEVER COVER TRACTOR WHILE ENGINE AND EXHAUST AREAS ARE STILL WARM.

TROUBLESHOOTING POINTS

PROBLEM	CAUSE	CORRECTION
Will not start	<ol style="list-style-type: none"> 1. Out of fuel. 2. Engine not "CHOKED" properly. 3. Engine flooded. 4. Bad spark plug. 5. Dirty air filter. 6. Dirty fuel filter 7. Water in fuel 8. Loose or damaged wiring. 9. Carburetor out of adjustment. 10. Engine valves out of adjustment. 	<ol style="list-style-type: none"> 1. Fill fuel tank. 2. See "TO START ENGINE" in Operation section. 3. Wait several minutes before attempting to start 4. Replace spark plug. 5. Clean/replace air filter. 6. Replace fuel filter. 7. Drain fuel tank and carburetor, refill tank with fresh gasoline and replace fuel filter 8. Check all wiring 9. Contact an authorized service center/department. 10. Contact an authorized service center/department.
Hard to start	<ol style="list-style-type: none"> 1. Dirty air filter. 2. Bad spark plug 3. Weak or dead battery. 4. Dirty fuel filter. 5. Stale or dirty fuel. 6. Loose or damaged wiring. 7. Carburetor out of adjustment. 8. Engine valves out of adjustment. 	<ol style="list-style-type: none"> 1. Clean/replace air filter 2. Replace spark plug 3. Recharge or replace battery. 4. Replace fuel filter. 5. Drain fuel tank and refill with fresh gasoline. 6. Check all wiring. 7. Contact an authorized service center/department 8. Contact an authorized service center/department
Engine will not turn over	<ol style="list-style-type: none"> 1. Clutch/brake pedal not depressed 2. Attachment clutch is engaged. 3. Weak or dead battery. 4. Blown fuse 5. Corroded battery terminals 6. Loose or damaged wiring. 7. Faulty ignition switch. 8. Faulty solenoid or starter. 9. Faulty operator presence switch(es). 	<ol style="list-style-type: none"> 1. Depress clutch/brake pedal. 2. Disengage attachment clutch. 3. Recharge or replace battery 4. Replace fuse 5. Clean battery terminals 6. Check all wiring. 7. Check/replace ignition switch. 8. Check/replace solenoid or starter. 9. Contact an authorized service center/department.
Engine clicks but will not start	<ol style="list-style-type: none"> 1. Weak or dead battery. 2. Corroded battery terminals. 3. Loose or damaged wiring 4. Faulty solenoid or starter. 	<ol style="list-style-type: none"> 1. Recharge or replace battery. 2. Clean battery terminals. 3. Check all wiring. 4. Check/replace solenoid or starter.
Loss of power	<ol style="list-style-type: none"> 1. Cutting too much grass/too fast 2. Throttle in "CHOKE" position 3. Build-up of grass, leaves and trash under mower 4. Dirty air filter. 5. Low oil level/dirty oil. 6. Faulty spark plug. 7. Dirty fuel filter. 8. Stale or dirty fuel 9. Water in fuel. 10. Spark plug wire loose. 11. Dirty engine air screen/fins. 12. Dirty/clogged muffler 13. Loose or damaged wiring 14. Carburetor out of adjustment 15. Engine valves out of adjustment. 	<ol style="list-style-type: none"> 1. Set in "Higher Cut" position/reduce speed 2. Adjust throttle control. 3. Clean underside of mower housing. 4. Clean/replace air filter 5. Check oil level/change oil 6. Clean and regap or change spark plug. 7. Replace fuel filter. 8. Drain fuel tank and refill with fresh gasoline 9. Drain fuel tank and carburetor, refill tank with fresh gasoline and replace fuel filter. 10. Connect and tighten spark plug wire 11. Clean engine air screen/fins. 12. Clean/replace muffler. 13. Check all wiring 14. Contact an authorized service center/department. 15. Contact an authorized service center/department.
Excessive vibration	<ol style="list-style-type: none"> 1. Worn, bent or loose blade 2. Bent blade mandrel. 3. Loose/damaged part(s) 	<ol style="list-style-type: none"> 1. Replace blade. Tighten blade bolt 2. Replace blade mandrel. 3. Tighten loose part(s) Replace damaged parts.

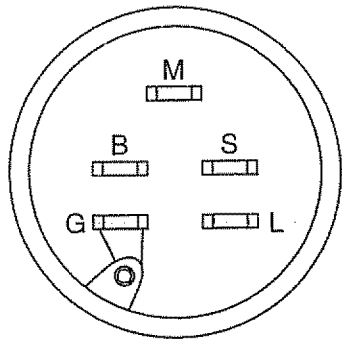
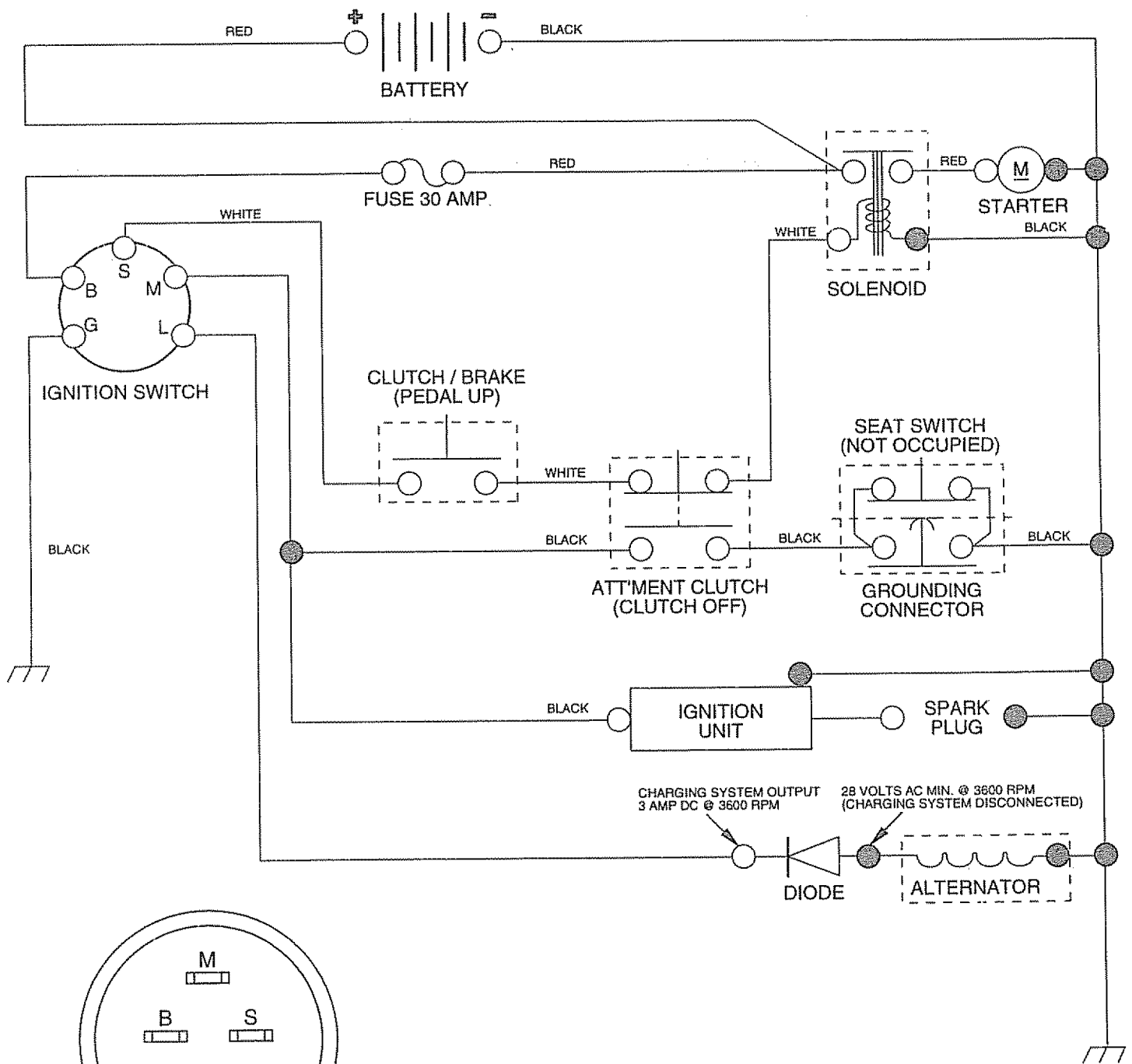
TROUBLESHOOTING POINTS

PROBLEM	CAUSE	CORRECTION
Engine continues to run when operator leaves seat with attachment clutch engaged	1. Faulty operator-safety presence control system.	1. Check wiring, switches and connections. If not corrected, contact an authorized service center/department.
Poor cut - uneven	1. Worn, bent or loose blade. 2. Mower deck not level. 3. Buildup of grass, leaves, and trash under mower. 4. Bent blade mandrel. 5. Clogged mower deck vent holes from buildup of grass, leaves, and trash around mandrels.	1. Replace blade. Tighten blade bolt. 2. Level mower deck. 3. Clean underside of mower housing. 4. Replace blade mandrel. 5. Clean around mandrels to open vent holes.
Mower blades will not rotate	1. Obstruction in clutch mechanism. 2. Worn/damaged mower drive belt. 3. Frozen idler pulley. 4. Frozen blade mandrel.	1. Remove obstruction. 2. Replace mower drive belt. 3. Replace idler pulley. 4. Replace blade mandrel.
Poor grass discharge	1. Engine speed too slow. 2. Travel speed too fast. 3. Wet grass. 4. Mower deck not level. 5. Low/uneven tire air pressure. 6. Worn, bent or loose blade. 7. Buildup of grass, leaves and trash under mower. 8. Mower drive belt worn. 9. Blades improperly installed. 10. Improper blades used. 11. Clogged mower deck vent holes from buildup of grass, leaves, and trash around mandrels.	1. Place throttle control in "FAST" position. 2. Shift to slower speed. 3. Allow grass to dry before mowing. 4. Level mower deck. 5. Check tires for proper air pressure. 6. Replace/sharpen blade. Tighten blade bolt. 7. Clean underside of mower housing. 8. Replace mower drive belt. 9. Reinstall blades sharp edge down. 10. Replace with blades listed in this manual. 11. Clean around mandrels to open vent holes.
Headlight(s) not working (if so equipped)	1. Switch is "OFF". 2. Bulb(s) burned out. 3. Faulty light switch. 4. Loose or damaged wiring. 5. Blown fuse.	1. Turn switch "ON". 2. Replace bulb(s). 3. Check/replace light switch. 4. Check wiring and connections. 5. Replace fuse.
Battery will not charge	1. Bad battery cell(s). 2. Poor cable connections. 3. Faulty regulator (if so equipped). 4. Faulty alternator.	1. Replace battery. 2. Check/clean all connections. 3. Replace regulator. 4. Replace alternator.
Engine "backfires" when turning engine "OFF"	1. Engine throttle control not set at "SLOW" position for 30 seconds before stopping engine.	1. Move throttle control to "SLOW" position and allow to idle for 30 seconds before stopping engine.

SERVICE NOTES

12.5 HP 38" TRACTOR - - MODEL NUMBER 917.256930

SCHEMATIC



IGNITION SWITCH

POSITION	CIRCUIT
OFF	M + G
ON	B + L
START	B + S

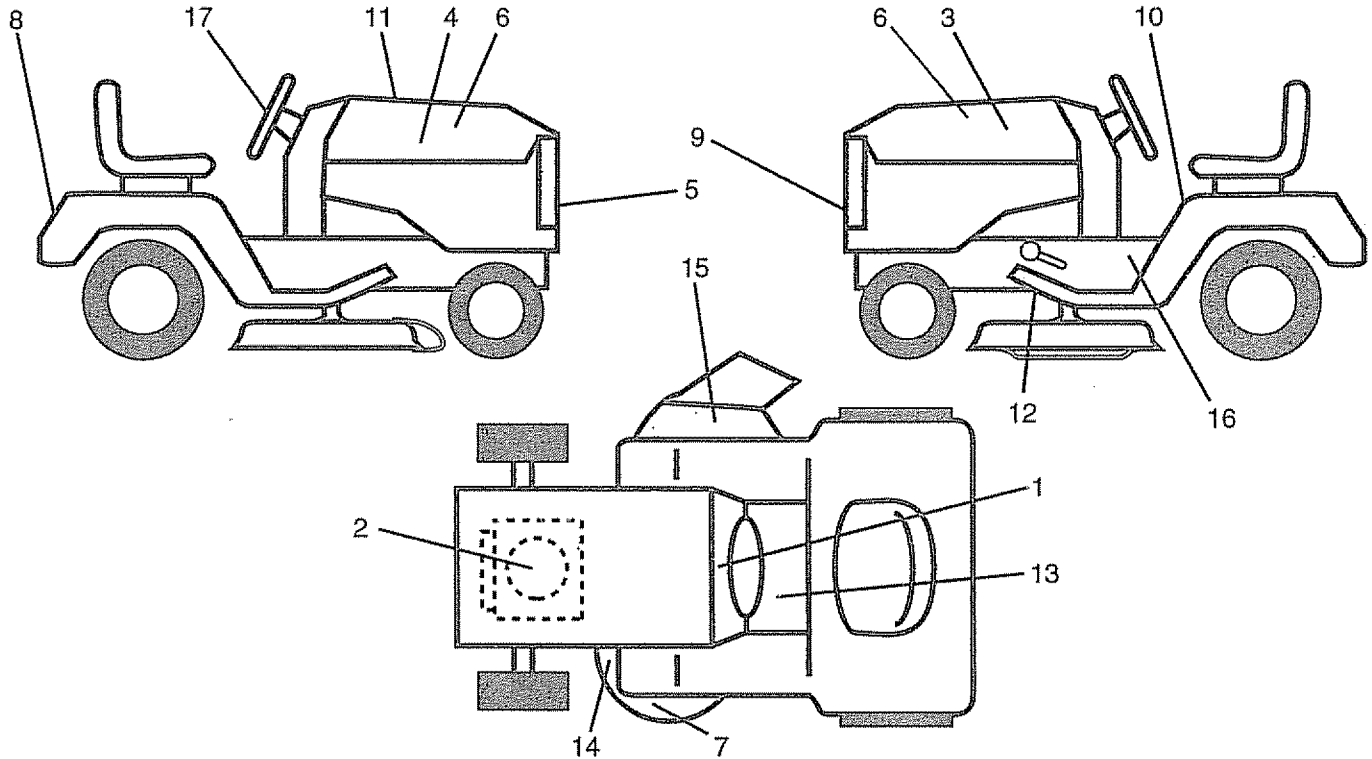
- NON-REMOVABLE CONNECTIONS
- REMOVABLE CONNECTIONS

WIRING INSULATED CLIPS
 NOTE: IF WIRING INSULATED CLIPS WERE REMOVED FOR SERVICING OF UNIT, THEY SHOULD BE REPLACED TO PROPERLY SECURE YOUR WIRING

REPAIR PARTS

12.5 HP 38" TRACTOR - - MODEL NUMBER 917.256930

DECALS



KEY PART NO. NO.

DESCRIPTION

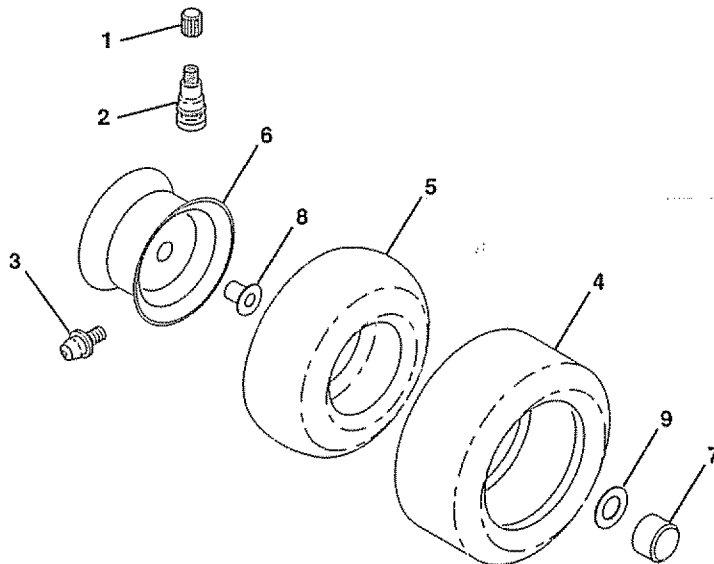
1	138272	Decal, Instruction, Engine
2	127908	Decal, Engine
3	130001	Decal, Stripe, Hood, L.H.
4	138134	Decal, Stripe, Hood, R.H.
5	126241X	Decal, Grill
6	136332	Decal, Side Panel
7	133179	Decal, Mower QC System
8	128314	Decal, Fender
9	132285	Decal, Grill, USA

KEY PART NO. NO.

DESCRIPTION

10	137537	Decal, Caution
11	133644	Decal, Customer Maintenance
12	123408X	Decal, V-Belt Drive
13	135561	Pad, Center
14	130929	Decal, Mower Drive Schematic
15	133178	Decal, Mower, 3 in 1
16	132928	Decal, Deck Height Indicator
17	132268	Decal, Steering Wheel Insert
--	137659	Owner's Manual, English
--	137660	Owner's Manual, Spanish

WHEELS & TIRES



KEY PART NO. NO.

DESCRIPTION

1	59192	Cap, Valve
2	65139	Stem, Valve
3	278H	Fitting, Grease (Front Only)
4	137422	Tire, Front
	132703	Tire, Rear
5	59904	Tube, Front Tire
		(Not Supplied, Service Item Only)
	8134H	Tube, Rear Tire
		(Not Supplied, Service Item Only)
6	137237X311	Rim, Front
	123412X311	Rim, Rear
7	104757X	Cap, Axle (Front and Rear)
8	9040H	Bearing, Flange (Front Only)
9	121748X	Washer 25/32 x 1-5/8 x 16 Gauge

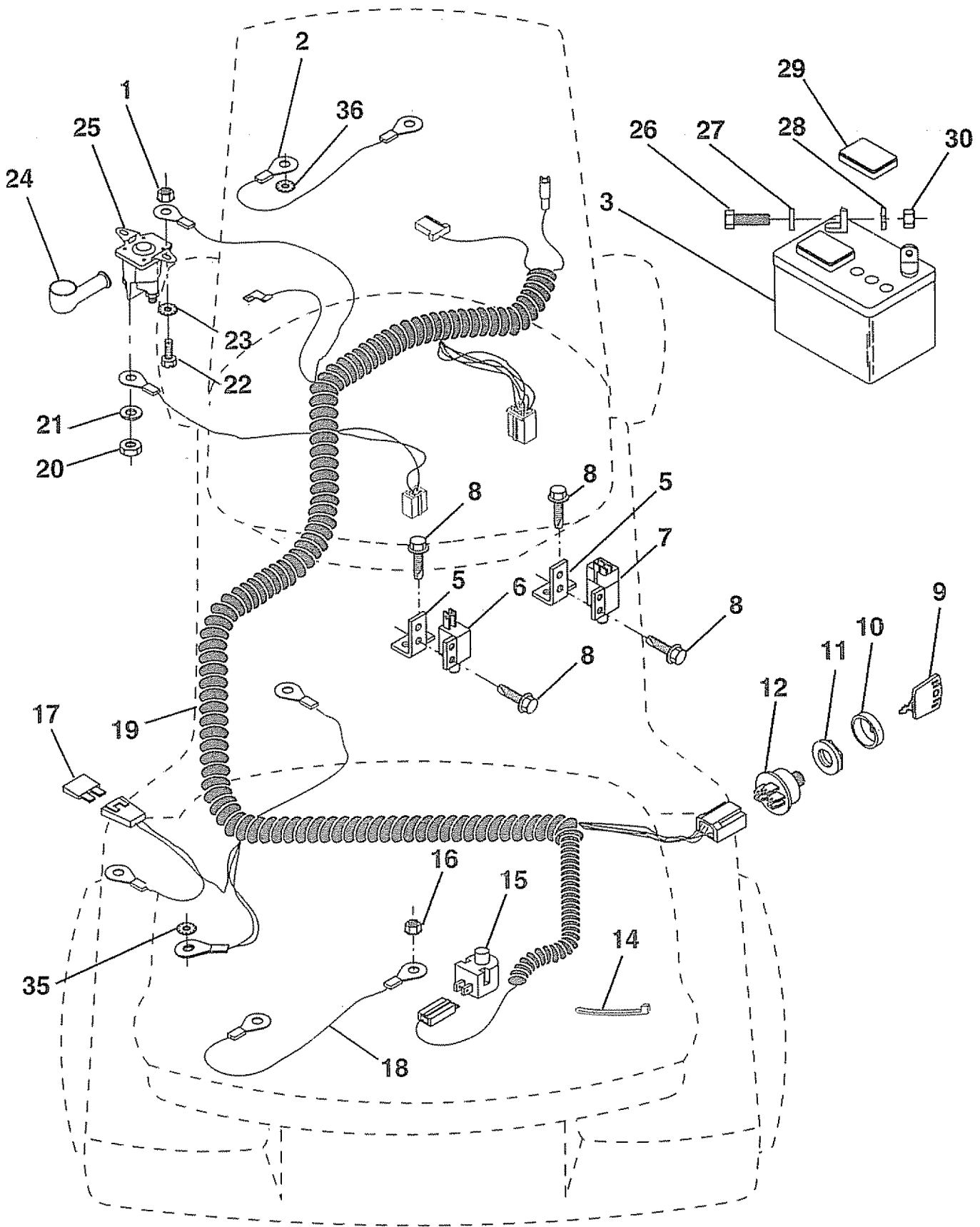
NOTE: All component dimensions given in U.S. inches
1 inch = 25.4 mm

HARDWARE SHOWN LARGER FOR EASIER IDENTIFICATION

REPAIR PARTS

12.5 HP 38" TRACTOR -- MODEL NUMBER 917.256930

ELECTRICAL



REPAIR PARTS

12.5 HP 38" TRACTOR - - MODEL NUMBER 917.256930

ELECTRICAL

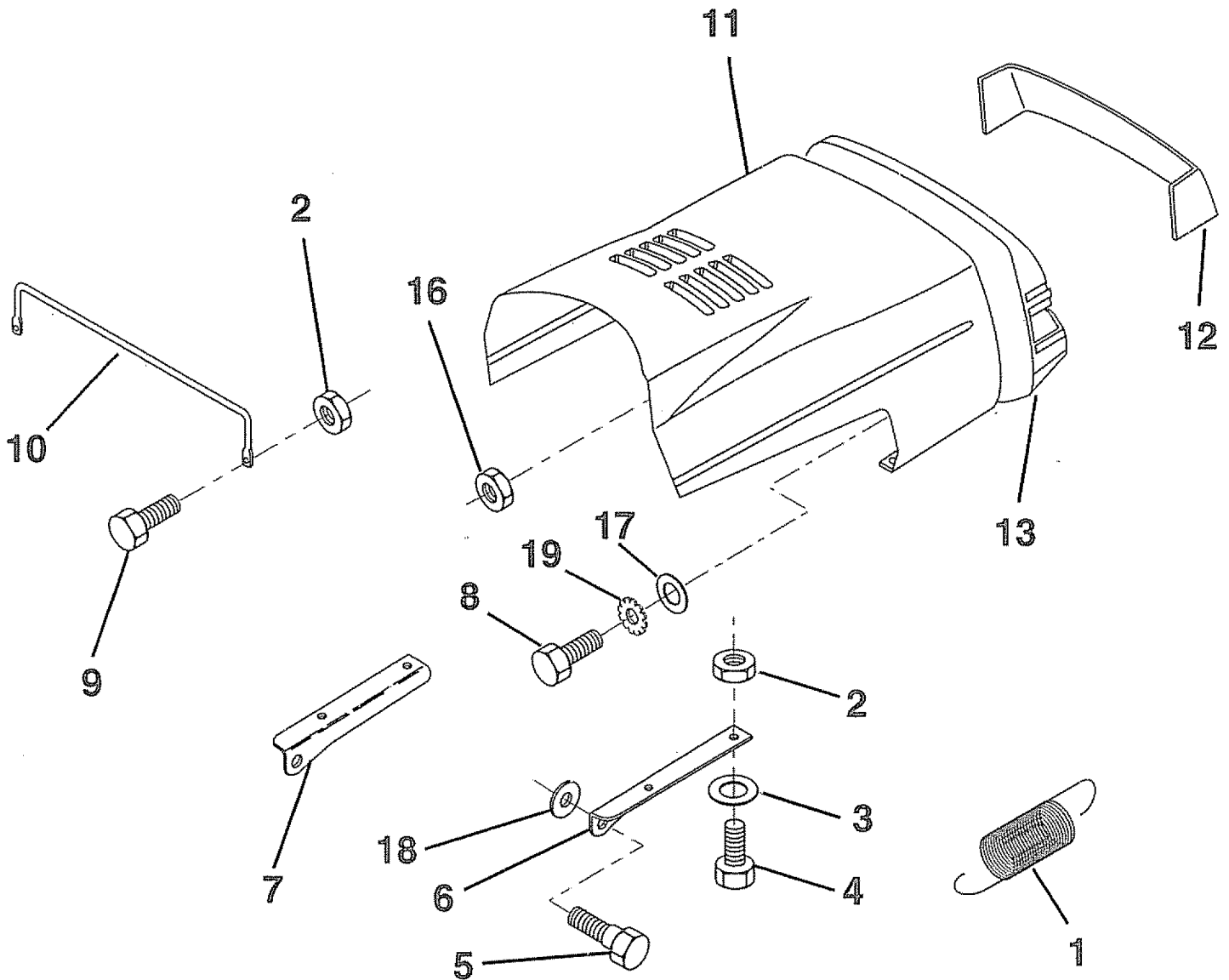
KEY PART NO.	NO.	DESCRIPTION
1	73510400	Nut, Hex, Keps 1/4-20 UNC
2	108423X	Assembly, Cable
3	121265X	Battery
5	108236X	Bracket, Switch
6	104445X	Switch, Interlock
7	109553X	Switch, Interlock
8	STD601005	Screw, Hex Head, Tapping #10-24 x 1/2
9	109310X	Key, Molded
10	123620X	Cover, Ignition Key
11	124211X	Nut, Ignition
12	STD365402	Switch, Ignition
14	7192J	Tie, Cable
15	121305X	Switch, Plunger
16	STD541431	Nut, Hex, Keps 5/16-18
17	108824X	Fuse
18	128353	Assembly, Cable
19	132223	Harness, Ignition
20	73350400	Nut, Hex, Jam 1/4-20
21	STD551125	Washer, Lock 1/4
22	74780408	Bolt, Hex Head 1/4-20 x 12 Grade 5
23	STD551225	Washer, Lock, External Tooth 1/4
24	131563	Cover, Terminal
25	138406	Solenoid
26	74760412	Bolt, Hex Head 1/4-20 UNC x 3/4
27	STD551025	Washer 9/32 x 5/8 x 16 Gauge
28	STD551125	Washer, Lock, Heavy Helical Spring 1/4
29	121264X	Cap, Battery
30	STD541025	Nut, Hex, Fin 1/4-20
35	11050600	Washer, Lock, External Tooth 3/8
36	11150400	Washer, Lock, Internal Tooth 1/4

NOTE: All component dimensions given in U.S. inches
1 inch = 25.4 mm

REPAIR PARTS

12.5 HP 38" TRACTOR - - MODEL NUMBER 917.256930

HOOD



**KEY PART
NO. NO.**

DESCRIPTION

1	124657X	Spring, Extension
2	STD541425	Nut, Hex, Keps 1/4-20 UNC
3	STD551025	Washer 9/32 x 5/8 x 16 Gauge
4	STD522506	Bolt, Hex, Fin. 1/4-20 UNC x 5/8 Grade 5
5	126675X	Bolt, Shoulder
6	122549X	Bracket, Hood, RH
7	122548X	Bracket, Hood, LH
8	17411310	Screw, Hex, Fin. #13-16 Hi-Lo x 5/8
9	STD522507	Bolt, Hex Head, Fin. 1/4-20 x 3/4 Grade 5

**KEY PART
NO. NO.**

DESCRIPTION

10	123693X	Brace, Hood
11	132918X459	Hood
12	123706X	Lens, Headlight Bar, Clear
13	129970	Grill
16	124346X	Nut, Washer Head, Self-Thread 1/4
17	STD551025	Washer 9/32 x 3/4 x 16 Gauge
18	STD551031	Washer 5/16
19	11030400	Washer, Lock, Internal/External Tooth 1/4

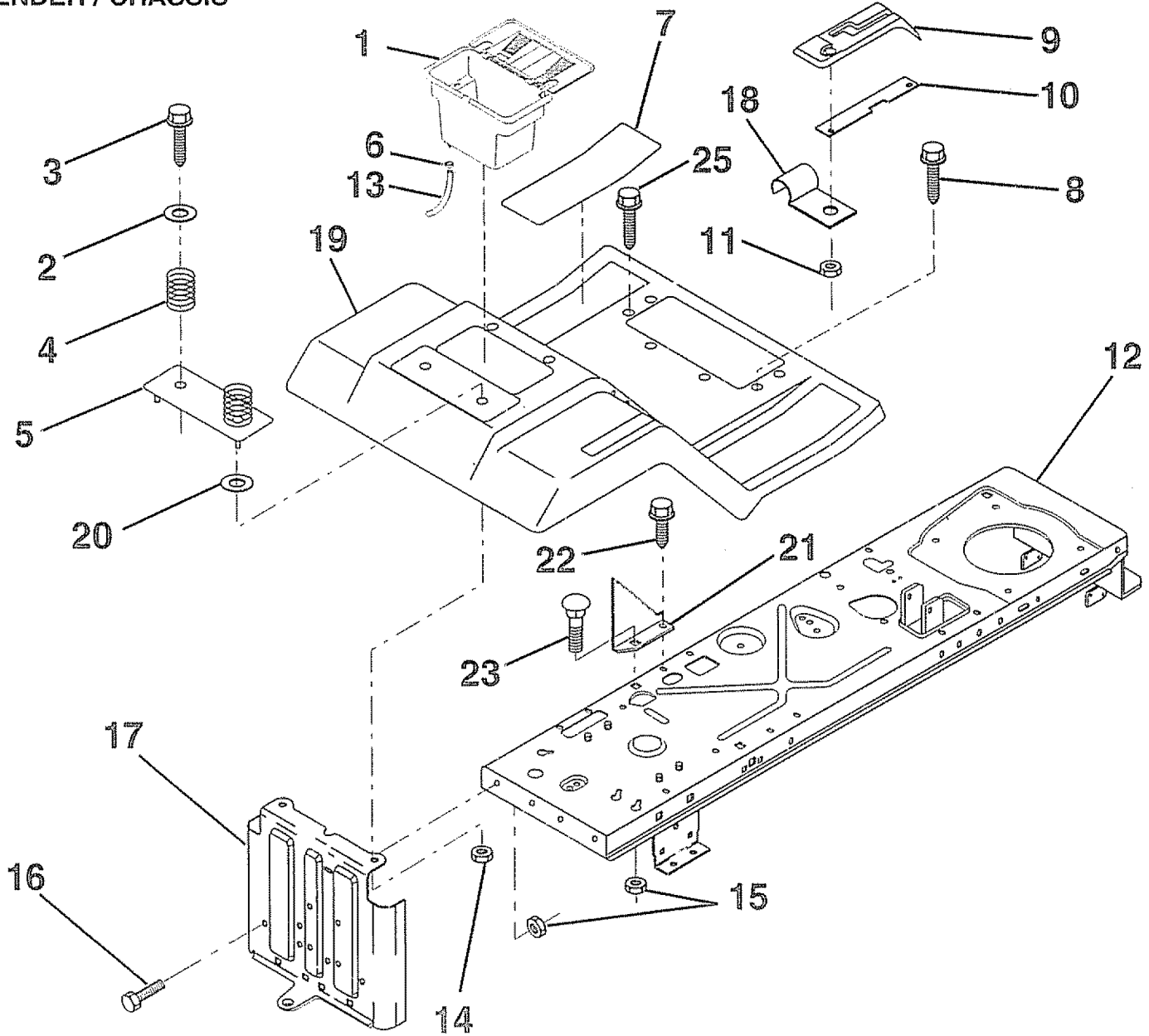
NOTE: All component dimensions given in U.S. inches
1 inch = 25.4 mm

HARDWARE SHOWN LARGER FOR EASIER IDENTIFICATION

REPAIR PARTS

12.5 HP 38" TRACTOR - - MODEL NUMBER 917.256930

FENDER / CHASSIS



KEY PART NO. NO.

KEY PART NO. NO.	DESCRIPTION
1 129965	Box, Battery
2 19132012	Washer 13/32 x 1-1/4 x 12 Gauge
3 17490612	Screw, Hex Washer Head, Thd., Roll. 3/8-16 x 3/4
4 124181X	Spring, Compression, Seat
5 127115X459	Plate, Fender
6 109596X	Clamp, Hose
7 134214	Pad, Footrest
8 17490512	Screw, Hex Washer Head, Thd., Roll. 5/16-18 x 3/4
9 139002	Console, Shift Control
10 124602X	Bar, Shift Lock
11 124346X	Nut, Self-Threading 3/16
12 137097	Chassis Assembly
13 109238X	Tube, Battery Drain

KEY PART NO. NO.

KEY PART NO. NO.	DESCRIPTION
14 STD541425	Nut, Hex, Keps 1/4-20
15 STD541431	Nut, Crownlock 5/16-18
16 STD523107	Bolt, Hex Head 5/16-18 UNC x 3/4
17 127880	Drawbar
18 126470X	Clip, Insulated
19 132650X459	Fender/Footrest
20 19091413	Washer 9/32 x 7/8 x 13 Gauge
21 132562	Plate, Depth Stop
22 17490508	Screw, Thd., Roll. 5/16-18 x 1/2
23 STD533107	Bolt, Carriage 5/16-18 x 3/4
25 17490516	Screw, Hex Washer Head, Thd., Roll. 5/16-18 x 1

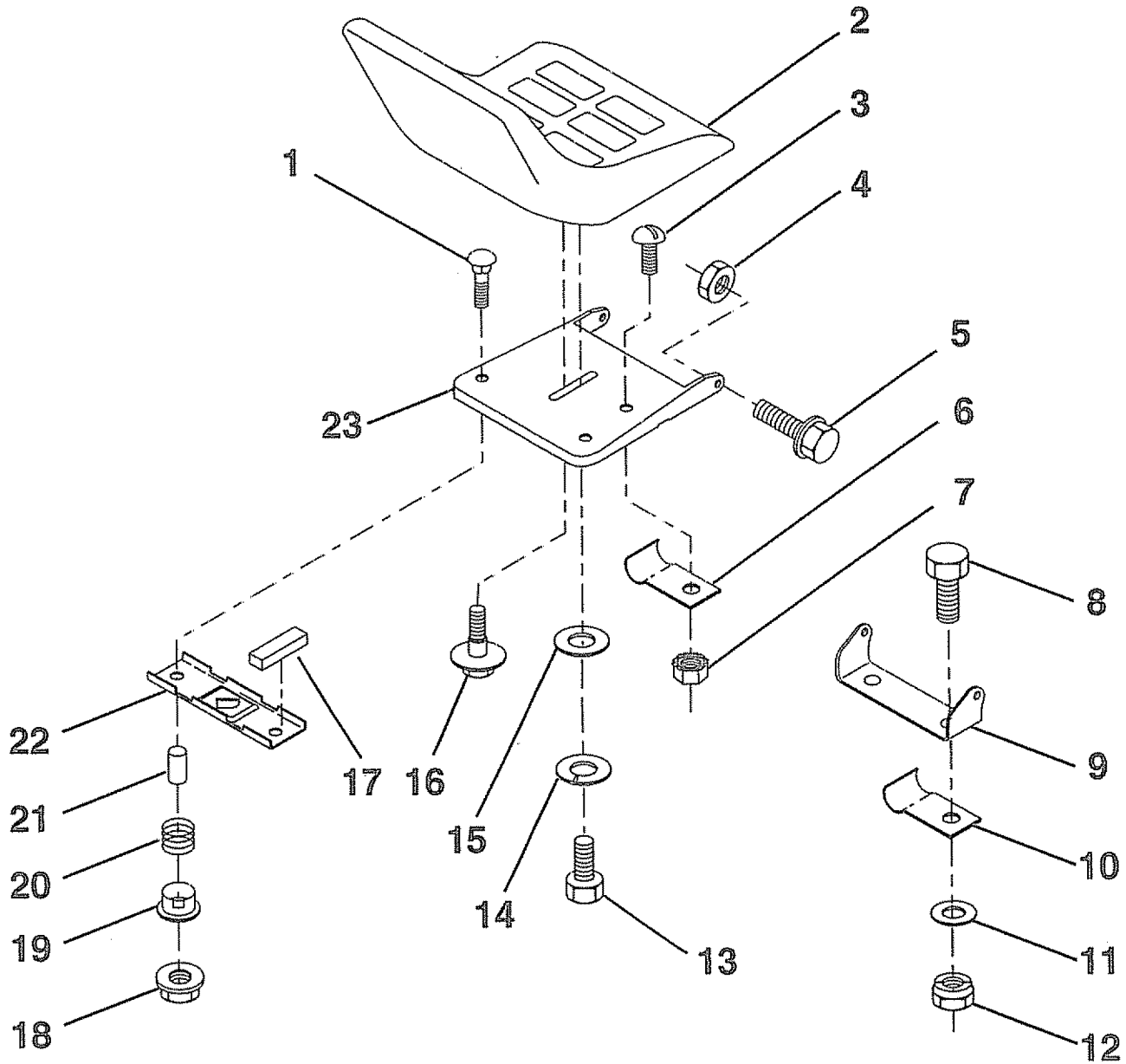
NOTE: All component dimensions given in U.S. inches
1 inch = 25.4 mm

HARDWARE SHOWN LARGER FOR EASIER IDENTIFICATION

REPAIR PARTS

12.5 HP 38" TRACTOR - - MODEL NUMBER 917.256930

SEAT



KEY PART NO. NO.

DESCRIPTION

1	72050411	Bolt, Carriage 1/4-20 x 1-3/8
2	127436	Seat
3	STD511005	Screw, Slotted Pan Head #10-32 x 1/2
4	STD541431	Nut, Crownlock 5/16-18
5	105529X	Bolt, Shoulder 5/16-18 UNC
6	4171R	Clip, Insulated
7	73951000	Nut, Hex, Keps #10-32 UNF
8	STD523707	Bolt, Hex, Fin. 3/8-16 UNC x 3/4
9	126656X	Bracket, Pivot, Seat
10	126471X	Clip, Insulated
11	19133210	Washer 13/32 x 2 x 10 Gauge
12	STD541437	Nut, Crownlock 3/8-16 UNC

KEY PART NO. NO.

DESCRIPTION

13	74780814	Bolt, Hex, Fin. 1/2-13 UNC x 1
14	STD551150	Washer, Lock 1/2
15	19171912	Washer 17/32 x 1-3/16 x 12 Gauge
16	127018X	Bolt, Shoulder
17	121251X	Strip, Foam
18	123976X	Locknut, Hex, Large, Flange
19	121248X	Bushing, Snap
20	121250X	Spring, Compression
21	134300	Spacer, Split, Large .28 Id. x .96
22	121246X	Bracket, Switch, Mounting
23	131451	Pan, Seat

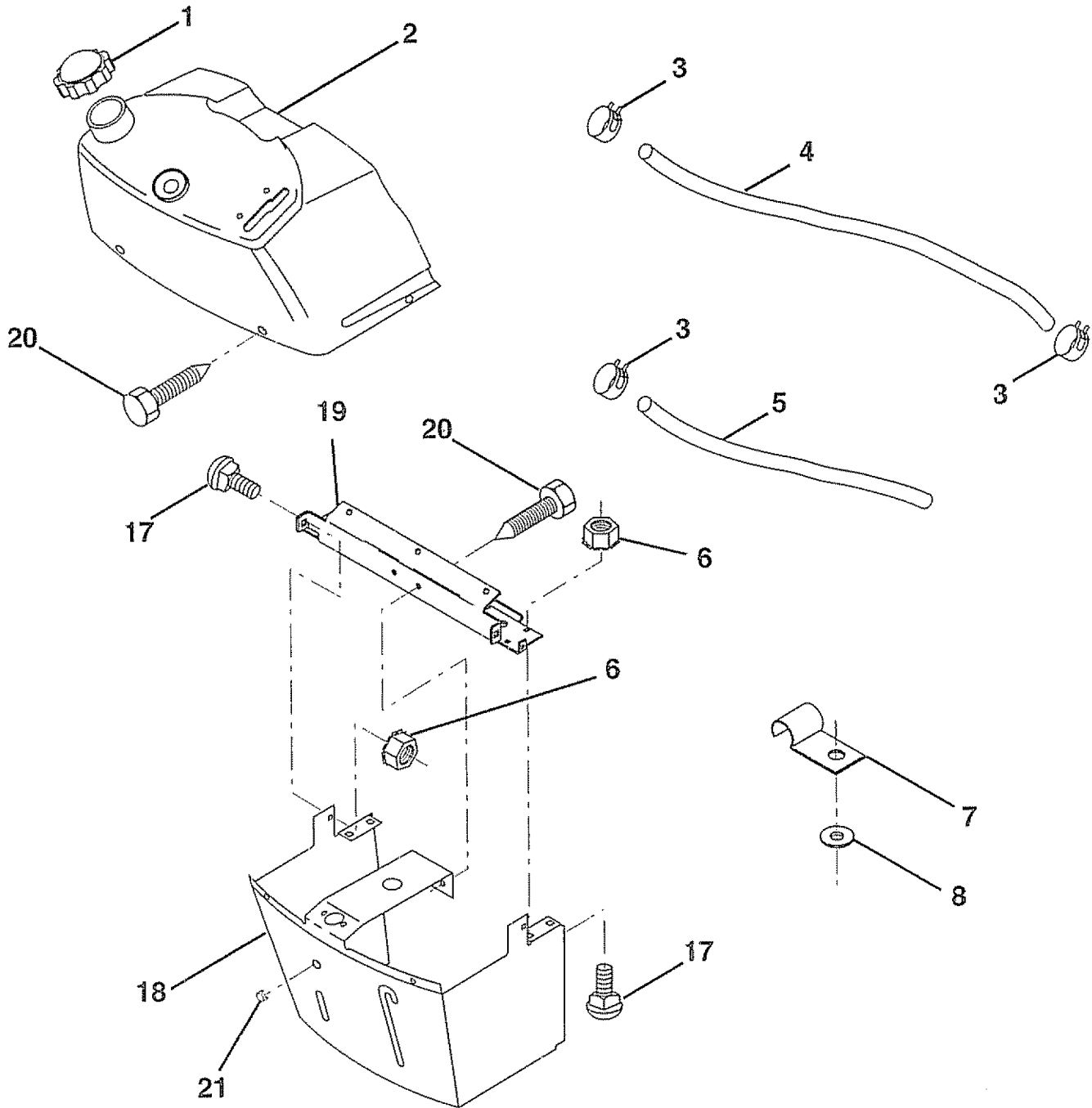
NOTE: All component dimensions given in U.S. inches
1 inch = 25.4 mm

HARDWARE SHOWN LARGER FOR EASIER IDENTIFICATION

REPAIR PARTS

12.5 HP 38" TRACTOR - - MODEL NUMBER 917.256930

DASH



**KEY PART
NO. NO.**

DESCRIPTION

1	132734	Cap, Fuel Tank
2	138393	Assembly, Dash & Fuel Tank
3	123487X	Clamp, Hose
4	8544R	Line, Fuel
5	8548R	Line, Fuel
6	STD541425	Nut, Hex, Keps 1/4-20
7	2751R	Clip, Fuel Line
8	STD551025	Washer 9/32 x 3/4 x 16 Gauge

**KEY PART
NO. NO.**

DESCRIPTION

17	STD532505	Bolt, Carriage 1/4-20 x 1/2 Grade 5
18	131886	Support Assembly, Dash
19	134744	Brace, Cross
20	17060408	Screw, Self-Tapping 1/4-20 x 1/2
22	134014	Plug, Dome

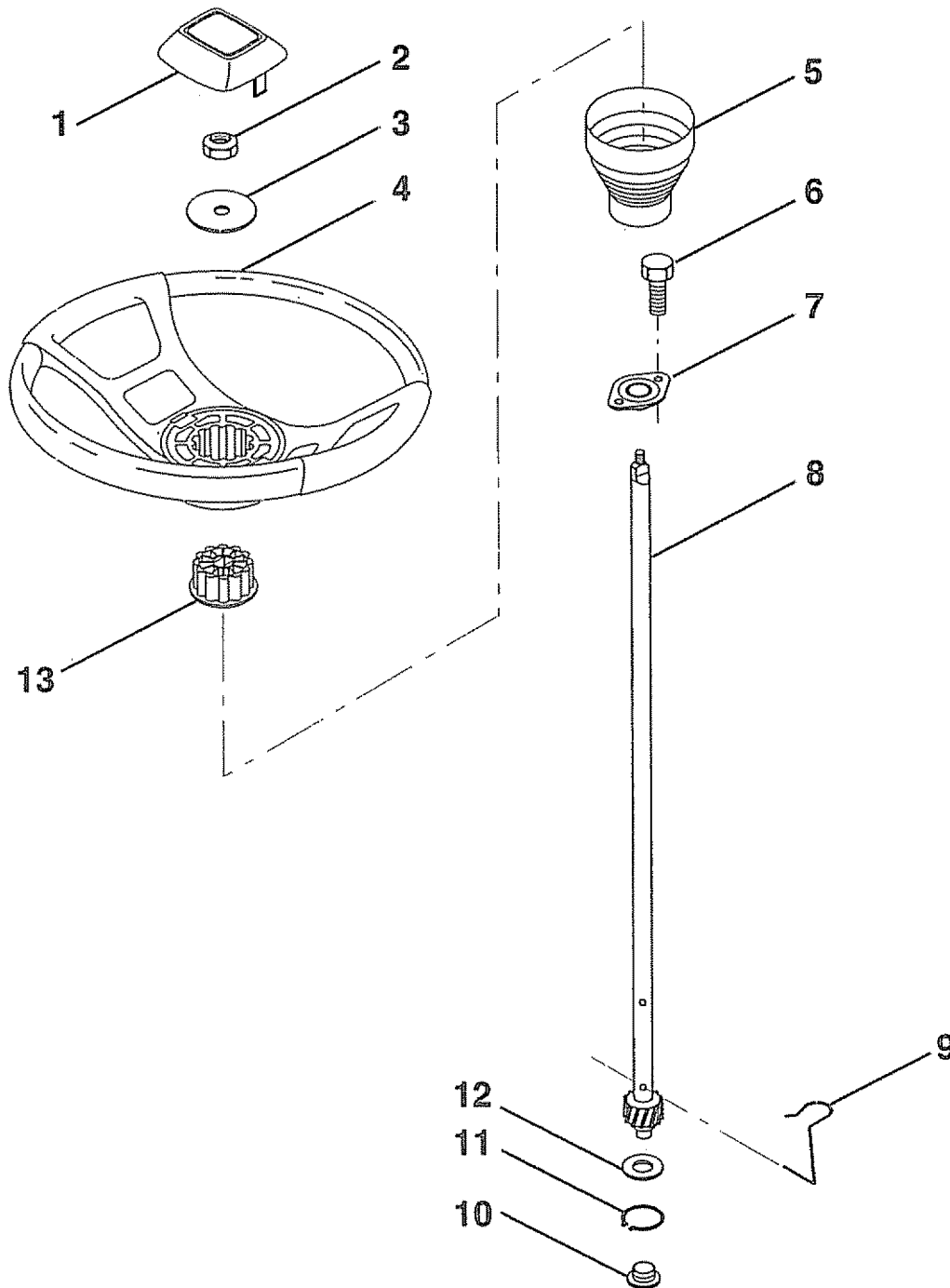
NOTE: All component dimensions given in U.S. inches
1 inch = 25.4 mm

HARDWARE SHOWN LARGER FOR EASIER IDENTIFICATION

REPAIR PARTS

12.5 HP 38" TRACTOR - - MODEL NUMBER 917.256930

STEERING WHEEL



KEY PART NO. NO.

KEY PART NO.	NO.	DESCRIPTION
1	133742	Insert, Steering Wheel
2	STD541537	Locknut 3/8-24 UNF
3	19133808	Washer 13/32 x 2-3/8 x 8 Gauge
4	133741	Steering Wheel
5	121897X	Sleeve, Steering
6	STD611005	Screw, Hex, Self-Tapping #10-16 x 1/2
7	102803X	Bushing, Steering

KEY PART NO. NO.

KEY PART NO.	NO.	DESCRIPTION
8	123651X	Shaft, Steering
9	124210X	Clip, Steering
10	123438X	Bushing, Lower, Steering
11	12000045	Ring, Retaining
12	STD551062	Washer 21/32 x 1 x 16 Gauge
13	104820X	Adaptor, Steering Wheel

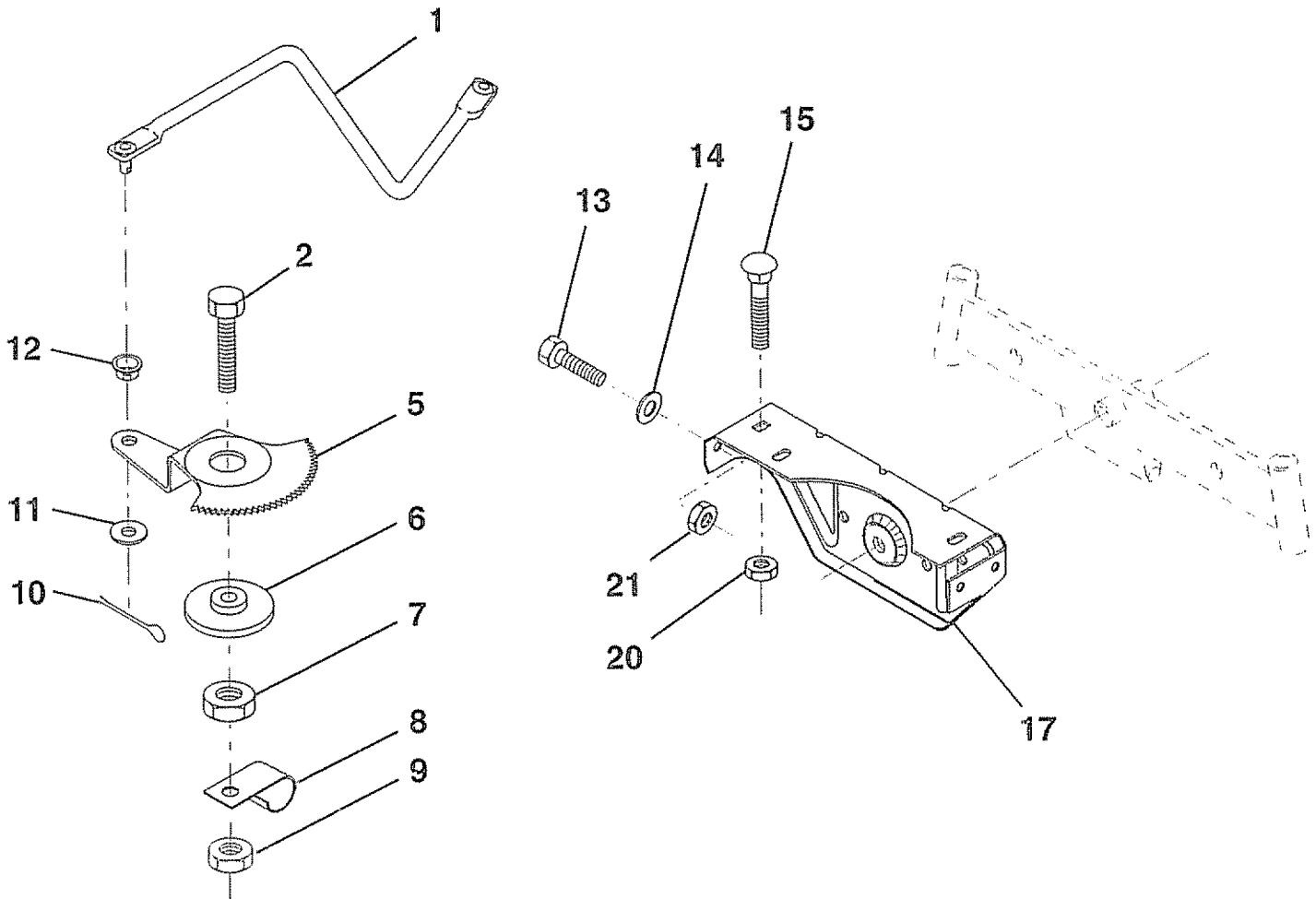
NOTE: All component dimensions given in U.S. inches
1 inch = 25.4 mm

HARDWARE SHOWN LARGER FOR EASIER IDENTIFICATION

REPAIR PARTS

12.5 HP 38" TRACTOR - - MODEL NUMBER 917.256930

SECTOR GEAR / AXLE SUPPORT



KEY PART NO. NO.	DESCRIPTION
1 132566	Link, Drag
2 74780828	Bolt, Hex Head, Fin. 1/2-13 x 1-3/4
5 121926X	Gear, Sector
6 121927X	Bushing
7 73030800	Nut, Heavy, Hex, Top Lock 1/2-13 UNC
8 126472X	Clip, Wire
9 73680800	Nut, Crownlock 1/2-13
10 STD561210	Pin, Cotter 1/8 x 3/4
11 STD551037	Washer 13/32 x 13/16 x 16 Gauge

KEY PART NO. NO.	DESCRIPTION
12 126847X	Bushing
13 STD523107	Bolt, Hex Head 5/16-18 UNC x 3/4
14 19111416	Washer 11/32 x 7/8 x 16 Gauge
15 STD533707	Bolt, Carriage 3/8-16 UNC x 3/4
17 137096	Support, Front Axle
20 STD541437	Nut, Crownlock 3/8-16 UNC
21 STD541431	Nut, Crownlock 5/16-18

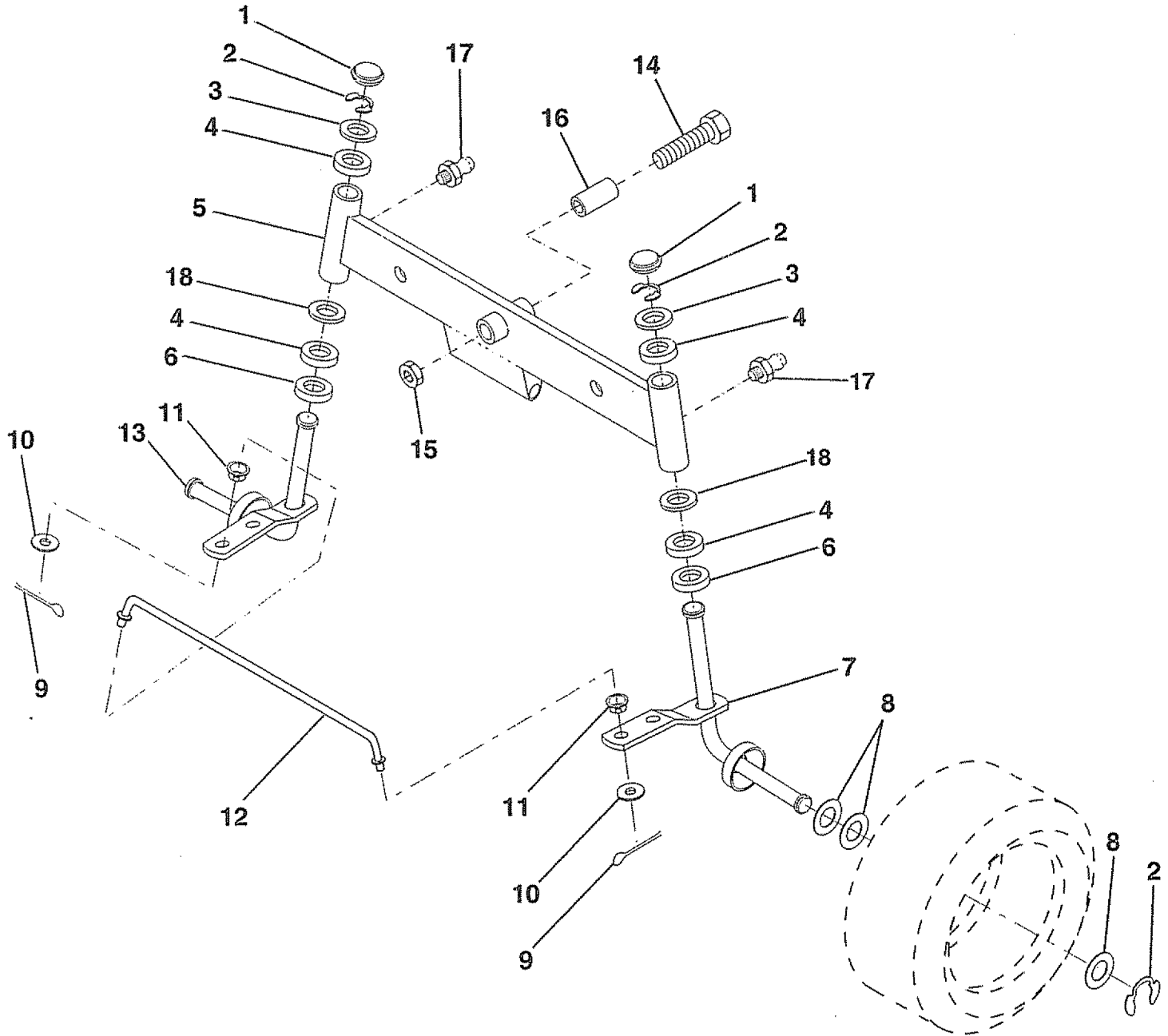
NOTE: All component dimensions given in U.S. inches
1 inch = 25.4 mm

HARDWARE SHOWN LARGER FOR EASIER IDENTIFICATION

REPAIR PARTS

12.5 HP 38" TRACTOR - - MODEL NUMBER 917.256930

FRONT AXLE



KEY PART NO. NO.	DESCRIPTION
1 121232X	Cap, Spindle
2 12000029	Ring, Klip
3 121748X	Washer 25/32 x 1-5/8 x 16 Gauge
4 3366R	Bearing
5 133988	Axle, Front
6 6266H	Bearing, Thrust
7 137062	Spindle Assembly, R.H.
8 121749X	Washer 25/32 x 1-1/4 x 16 Gauge
9 STD561210	Pin, Cotter 1/8 x 3/4
10 STD551037	Washer 13/32 x 13/16 x 16 Gauge

KEY PART NO. NO.	DESCRIPTION
11 126847X	Bushing
12 130465	Rod, Tie
13 137061	Spindle Assembly, L.H.
14 74011056	Bolt, Hex Head 5/8-11 x 3-1/2
15 73901000	Locknut, Flange 5/8-11
16 110438X	Bearing, Spacer
17 6855M	Fitting, Grease
18 19272016	Washer 27/32 x 1-1/4 x 16 Gauge

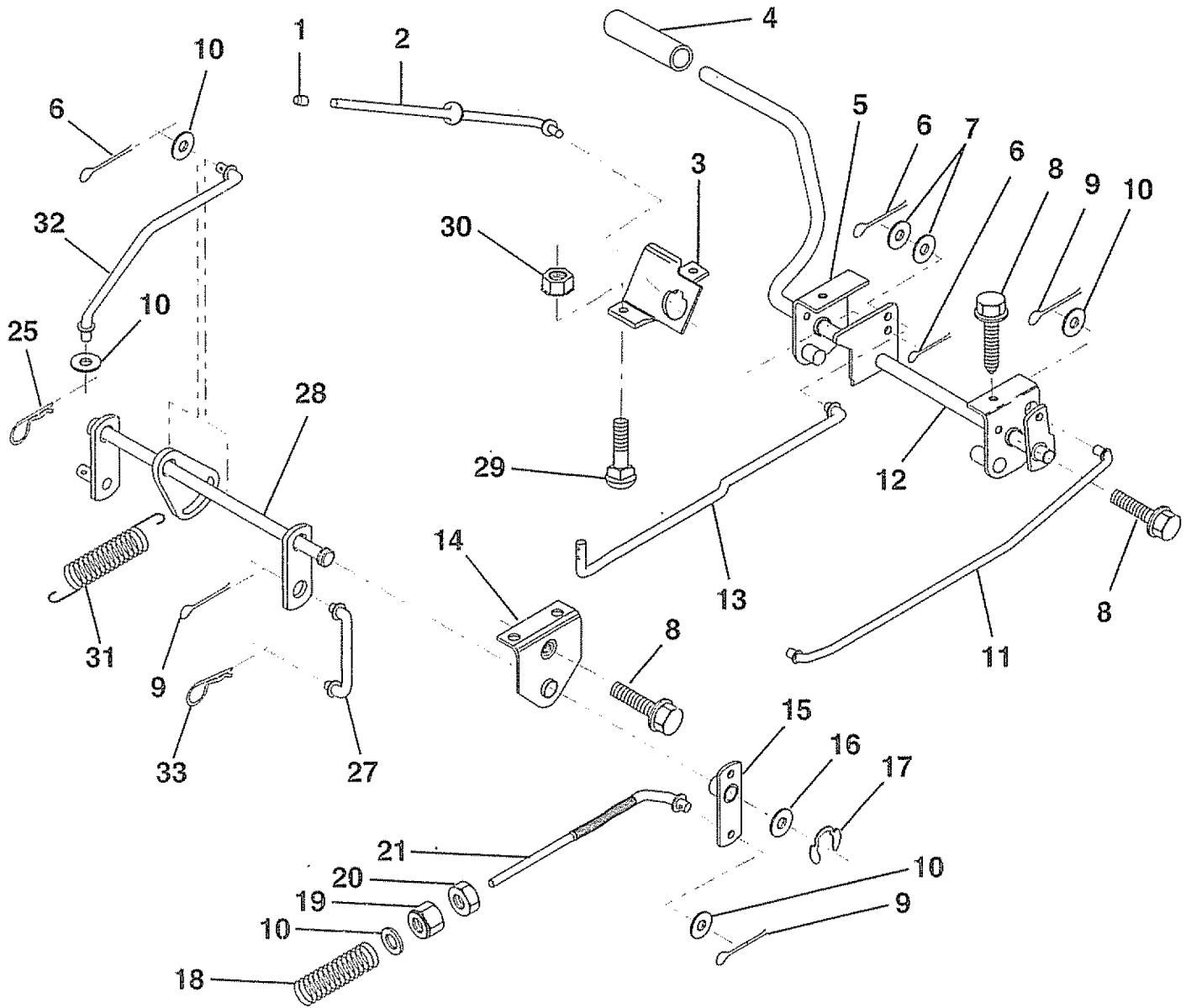
NOTE: All component dimensions given in U.S. inches
1 inch = 25.4 mm

HARDWARE SHOWN LARGER FOR EASIER IDENTIFICATION

REPAIR PARTS

12.5 HP 38" TRACTOR - - MODEL NUMBER 917.256930

BRAKE / REAR MOWER LIFT ASSEMBLY



KEY PART NO. NO.

DESCRIPTION

1	124236X	Cap, Plunger
2	123436X	Rod, Parking Brake
3	123437X	Bracket, Parking Brake
4	8883R	Cover, Pedal
5	132205	Bracket Assy., Clutch Pedal, L.H.
6	STD560907	Pin, Cotter 3/32 x 3/4
7	STD551037	Washer 13/32 x 5/8 x 16 Gauge
8	17490508	Screw, Hex Head, Thd., Roll. 5/16-18 x 1/2
9	STD561210	Pin, Cotter 1/8 x 3/4
10	STD551037	Washer 13/32 x 13/16 x 16 Gauge
11	123543X	Rod, Brake
12	136263	Assembly, Clutch/Brake Pedal
13	123394X	Rod, Clutch
14	121978X	Bracket, Lift, Shaft
15	123641X	Assembly, Brake Pivot Arm

KEY PART NO. NO.

DESCRIPTION

16	19251816	Washer 25/32 x 1-1/8 x 16 Gauge
17	12000034	Ring, Klip
18	106888X	Spring, Brake Rod
19	STD541237	Nut, Hex, Jam 3/8-16 UNC
20	73680600	Nut, Crownlock 3/8-16 UNC
21	131460	Rod, Rear Brake
25	4497H	Spring, Retainer
27	136780	Link, Threaded
28	136779	Assembly, Rear Mower Lift
29	STD533107	Bolt, Carriage 5/16-18 UNC x 3/4
30	STD541431	Nut, Hex, Keps 5/16-18 UNC
31	133095	Spring, Counterbalance
32	133721	Link, Lift Lever

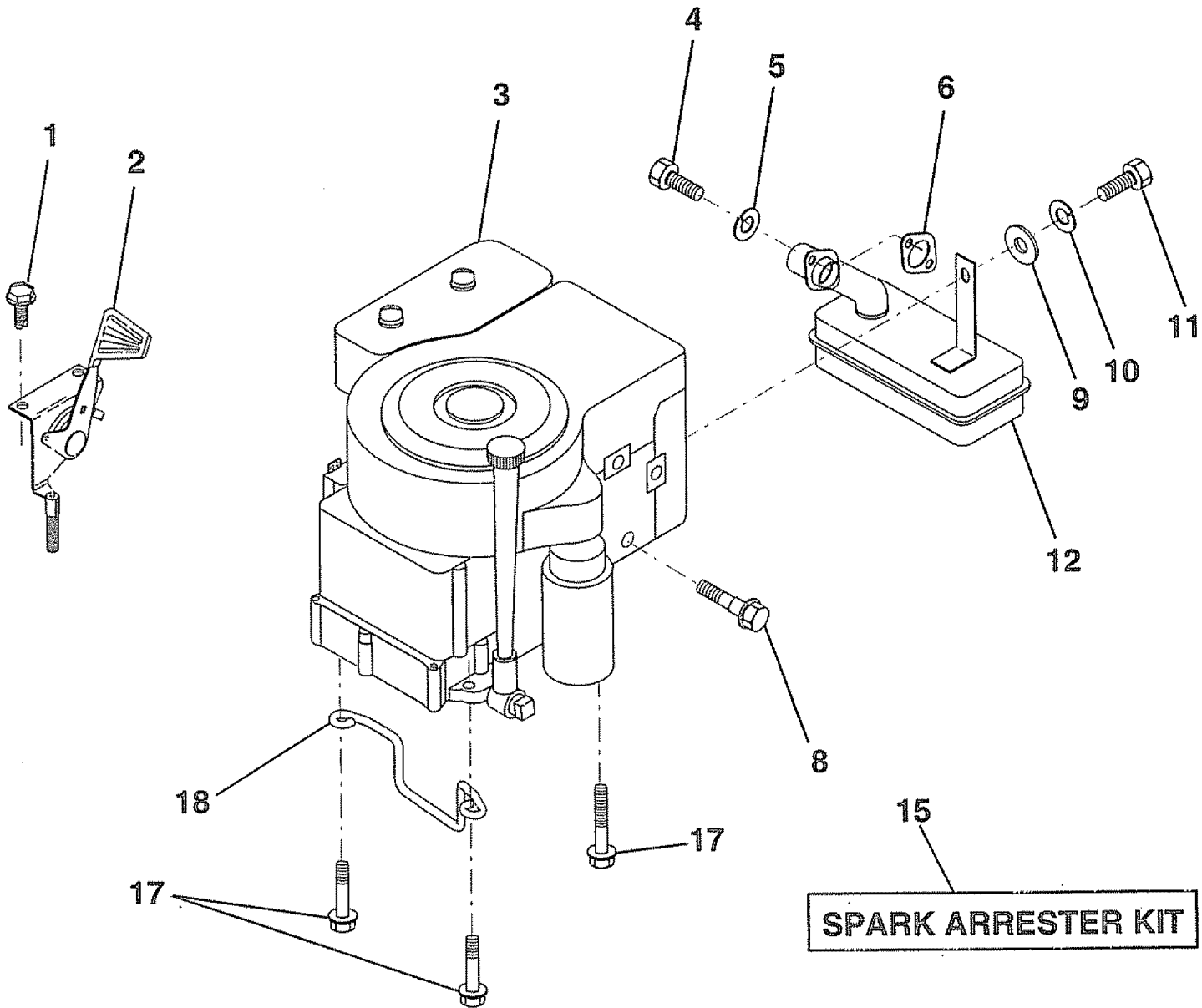
NOTE: All component dimensions given in U.S. inches
1 inch = 25.4 mm

HARDWARE SHOWN LARGER FOR EASIER IDENTIFICATION

REPAIR PARTS

12.5 HP 38" TRACTOR - - MODEL NUMBER 917.256930

ENGINE / THROTTLE



KEY PART NO. NO.

DESCRIPTION

1	17060408	Screw, Hex Head, Thread Cutting 1/4-20 x 1/2
2	132758	Control, Throttle
3	137418	Engine, Briggs & Stratton, 12.5 HP, Model #286707, Type #0441-01
4	71070512	Screw, Hex Cap Head 5/16-18 x 3/4
5	STD551131	Washer, Lock, Heavy Helical Spring 5/16
6	125593X	Gasket, Exhaust
8	121094X	Bolt, Shoulder

KEY PART NO. NO.

DESCRIPTION

9	STD551031	Washer 5/16 x 3/4 x 16 Gauge
10	STD551125	Washer, Lock, Heavy Helical Spring 1/4
11	74760412	Bolt, Hex, Fin. 1/4-20 UNC x 3/4
12	137437	Muffler
15	137180	Kit, Spark Arrester (Optional)
17	17490624	Screw, Hex Washer Head, Thd., Roll. 3/8-16 x 1-1/2
18	126636X	Keeper, Ground Drive Belt

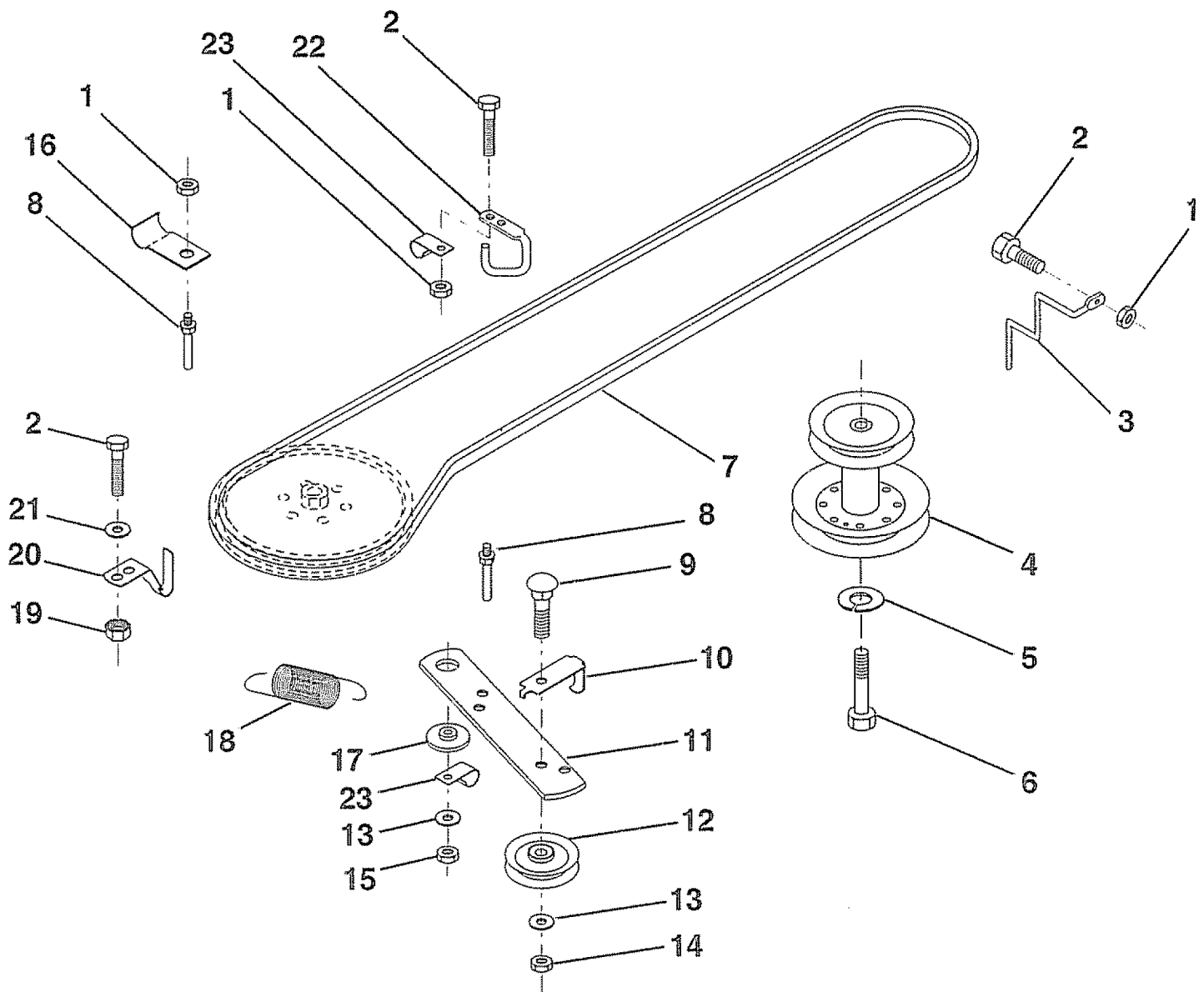
NOTE: All component dimensions given in U.S. inches
1 inch = 25.4 mm

HARDWARE SHOWN LARGER FOR EASIER IDENTIFICATION

REPAIR PARTS

12.5 HP 38" TRACTOR - - MODEL NUMBER 917.256930

GROUND DRIVE



KEY PART NO. NO.

KEY PART NO. NO.	DESCRIPTION
1	STD541431 Nut, Crownlock 5/16-18
2	STD523107 Bolt, Hex Head 5/16-18 UNC x 3/4
3	132946 Keeper, Mower Drive Belt, Engine
4	135036 Pulley, Engine
5	STD551143 Washer, Lock 7/16
6	71130748 Bolt, Hex, Fin. 7/16-20 UNF x 3
7	124525X Traction, V-Belt Drive
8	123405X Keeper, T/A, Ground Drive Belt
9	STD533715 Bolt, Carriage 3/8-16 x 1-1/2
10	123396X Keeper, Ground Drive Belt, Idler
11	123395X Clutch Arm, Ground Drive
12	4859J Idler, Flat
13	STD551037 Washer 13/32 x 13/16 x 16 Gauge

KEY PART NO. NO.

KEY PART NO. NO.	DESCRIPTION
14	73930600 Nut, Centerlock 3/8-16 UNC
15	STD541437 Nut, Crownlock 3/8-16 UNC
16	126471X Clip, Insulated
17	122052X Spacer, Retainer
18	131459 Spring, Extension
19	STD541431 Nut, Hex, Keps 5/16-18 UNC
20	123891X Keeper, T/A, Ground Drive Belt
21	STD551025 Washer 11/32 x 5/8 x 16 Gauge
22	123404X Keeper, Chassis, Ground Drive Belt
23	126472X Clip, Insulated

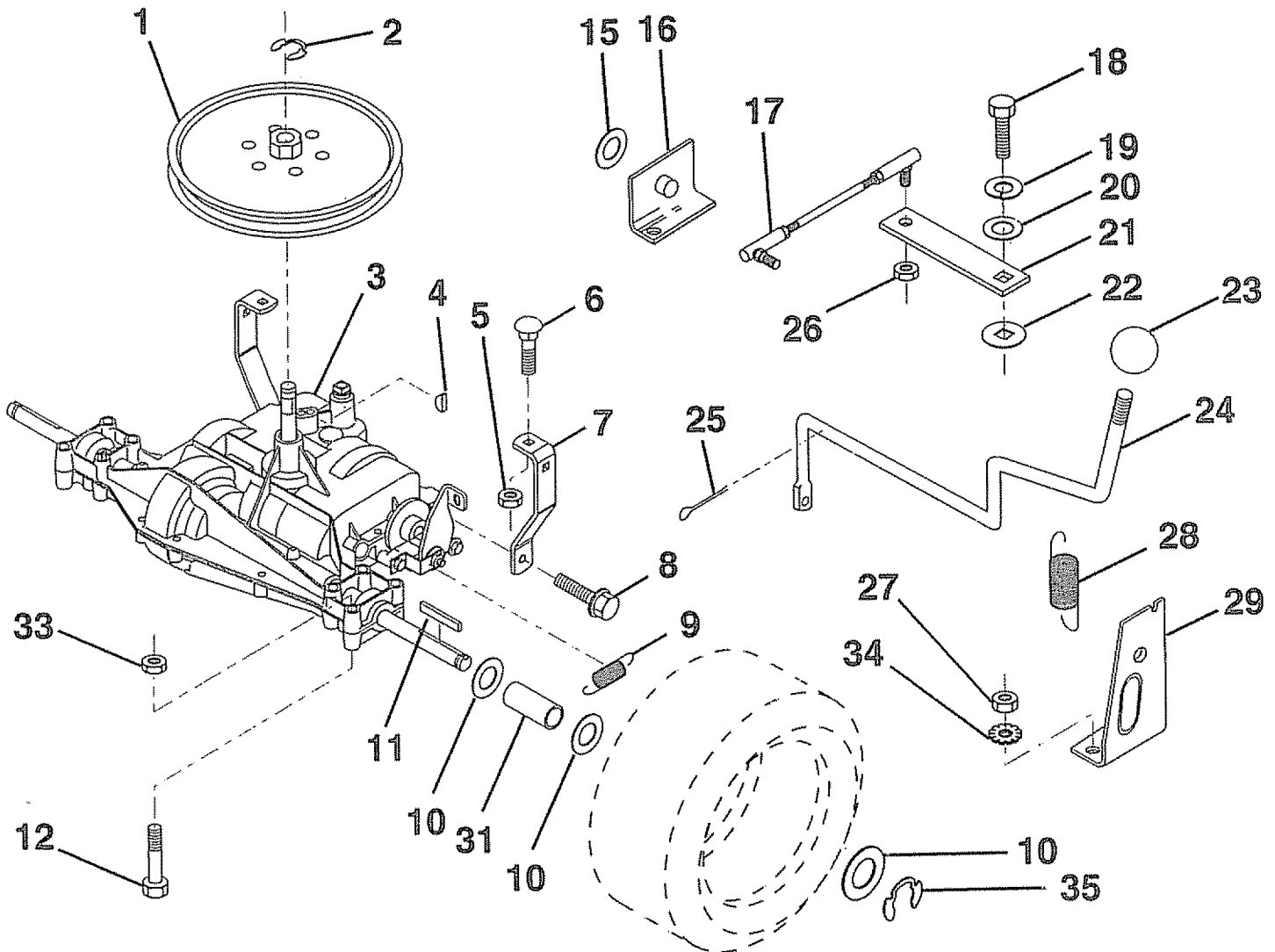
NOTE: All component dimensions given in U.S. inches
1 inch = 25.4 mm

HARDWARE SHOWN LARGER FOR EASIER IDENTIFICATION

REPAIR PARTS

12.5 HP 38" TRACTOR - - MODEL NUMBER 917.256930

TRANSAXLE



KEY PART NO. NO.

DESCRIPTION

KEY PART NO. NO.

DESCRIPTION

1	123385X	Pulley
2	12000028	Ring, Retainer
3	137365	Transaxle, Dana, 5 Speed, Model Number 4360-50
4	2228M	Key, Woodruff #9
5	STD541431	Nut, Crownlock 5/16-18
6	STD533107	Bolt, Carriage 5/16-18 UNC x 3/4
7	123378X	Strap, Torque
8	17490512	Screw, Hex Head, Thd., Roll. 5/16-18 x 3/4
9	110422X	Spring, Brake
10	121749X	Washer 25/32 x 1-1/4 x 16 Gauge
11	123583X	Key, Square
12	STD523727	Bolt, Hex Head 3/8-16 x 2-3/4
15	STD551050	Washer 17/32 x 1 x 16 Gauge
16	124600X	Support, Shift Handle, L.H.
17	123632X	Link, Shift
18	71040412	Bolt, Hex Head, Fin. 1/4-28 x 3/4 Grade 8

19	STD551125	Washer, Lock 1/4
20	19091210	Washer 9/32 x 3/4 x 10 Gauge
21	123484X	Arm, Shift
22	105701X	Washer, Shift Plate
23	130564	Knob
24	130714	Rod, Shift
25	STD561210	Pin, Cotter 1/8 x 1
26	STD541531	Nut, Hex, Nylon 5/16-24
27	STD541431	Nut, Hex, Keps 5/16-18
28	128085	Spring, Extension
29	128084	Support, Shift Handle, R.H.
31	123409X	Spacer
33	STD541437	Nut, Crownlock 3/8-16
34	11050500	Washer, Lock, External Tooth 5/16
35	STD581075	E-Ring

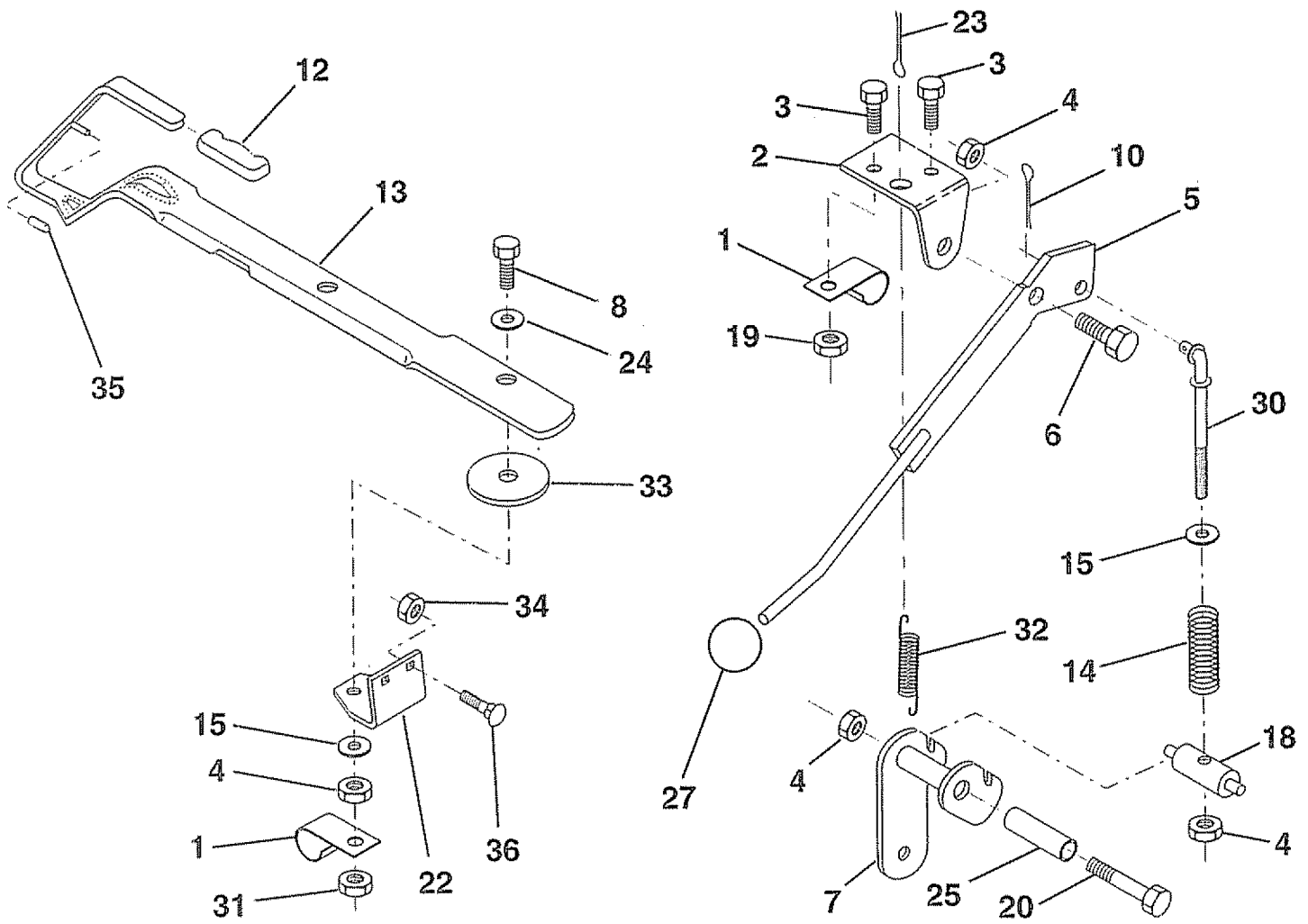
NOTE: All component dimensions given in U.S. inches
1 inch = 25.4 mm

HARDWARE SHOWN LARGER FOR EASIER IDENTIFICATION

REPAIR PARTS

12.5 HP 38" TRACTOR - - MODEL NUMBER 917.256930

MOWER LIFT LEVER



KEY PART NO. NO.	DESCRIPTION
1 126470X	Clip, Fuel Line
2 122018X	Bracket, Mower Clutch
3 74780408	Bolt, Hex Head, Fin. 1/4-20 UNC x 1/2 Grade 5
4 STD541437	Nut, Crownlock 3/8-16 UNC
5 132552	Assembly, Clutch Lever
6 106451X	Bolt, Shoulder
7 135110	Assembly, Mower Clutch Arm
8 74930624	Bolt, Hex Head 3/8-16 x 1-1/2
10 76020412	Pin, Cotter 1/8 x 3/4
12 122027X	Handle, Lift Lever
13 136658	Assembly, Lift Handle
14 133939	Spring, Compression, Clutch
15 19131616	Washer 13/32 x 1 x 16 Gauge
18 135107	Trunnion
19 73680400	Nut, Crownlock 1/4-20

KEY PART NO. NO.	DESCRIPTION
20 STD523727	Bolt, Hex, Fin. 3/8-16 UNC x 2-3/4
22 132561	Bracket, Lift Lever
23 76020312	Pin, Cotter 3/32 x 3/4
24 7672J	Washer 25/64 x 1-1/4 x 12 Gauge
25 121933X	Tube, Spacer
27 121466X	Knob
30 135039	Rod, Tension, Clutch
31 73930600	Nut, Centerlock 3/8-16
32 133435	Spring, Extension, Return
33 62333	Washer 13/32 x 2-3/8 x 8 Gauge
34 STD541431	Nut, Crownlock 5/16-18
35 133603	Cap, Vinyl, Red
36 STD533107	Bolt, Carriage 5/16-18 x 3/4

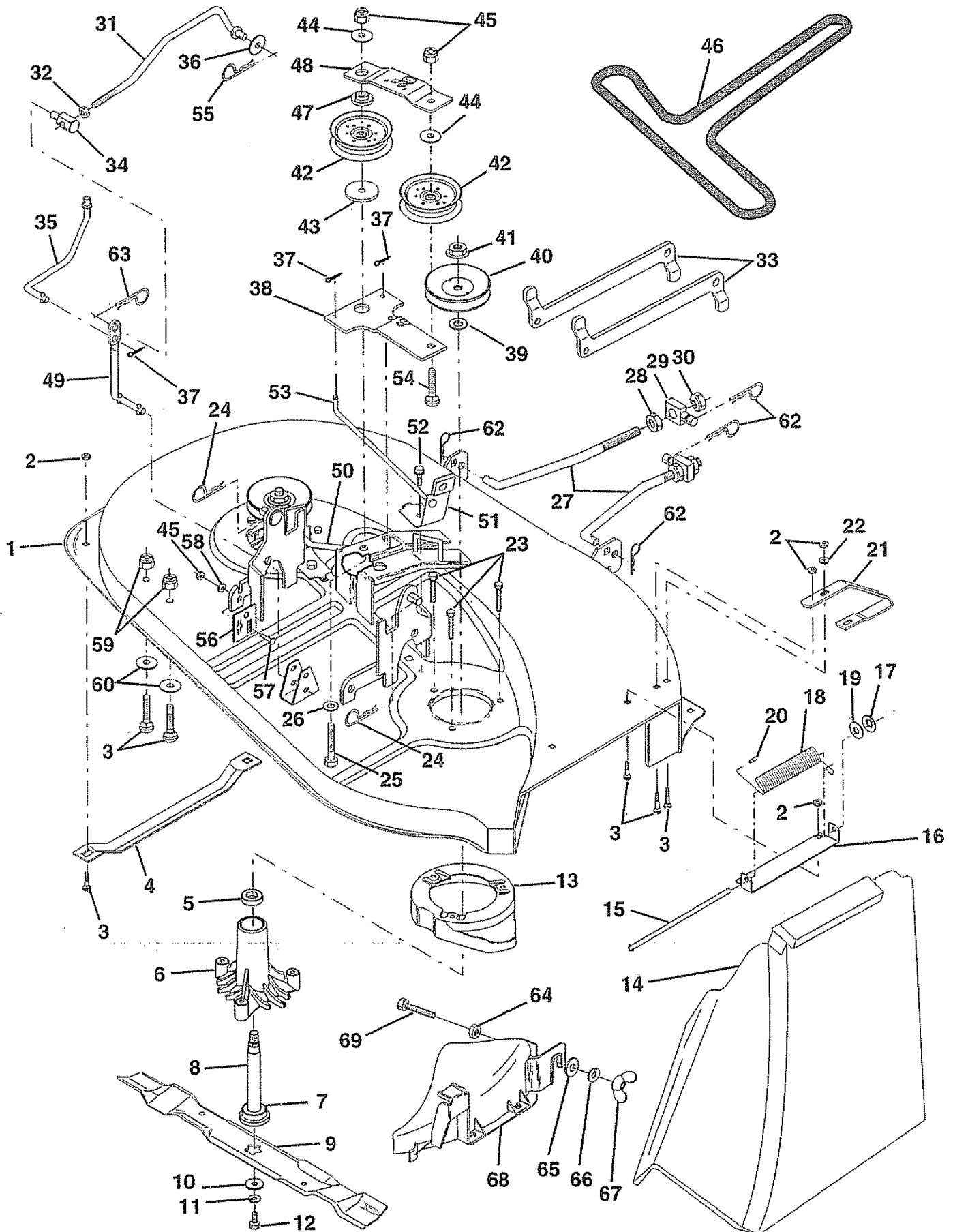
NOTE: All component dimensions given in U.S. inches
1 inch = 25.4 mm

HARDWARE SHOWN LARGER FOR EASIER IDENTIFICATION

REPAIR PARTS

12.5 HP 38" TRACTOR -- MODEL NUMBER 917.256930

MOWER DECK



REPAIR PARTS

12.5 HP 38" TRACTOR - - MODEL NUMBER 917.256930

MOWER DECK

KEY PART NO.	NO.	DESCRIPTION	KEY PART NO.	NO.	DESCRIPTION
1	138356	Mower Housing Assembly	42	131494	Pulley, Flat Idler
2	STD541431	Nut, Crownlock 5/16-18	43	122052X	Spacer, Retainer
3	STD533107	Bolt, Carriage 5/16-18 x 3/4	44	19131612	Washer 13/32 x 1 x 12 Gauge
4	7631J	Runner, L.H.	45	STD541437	Nut, Crownlock 3/8-16
5	110485X	Bearing	46	131290	Belt
6	128774	Housing, Mandrel	47	133502	Spacer, Idler Arm
7	129895	Bearing	48	133503	Stiffener, Idler Arm
8	133172	Shaft & Bearing Assembly, Mandrel	49	133551	Rod, Pivot
9	134148	Blade, Mulching	50	131289	Rod, Brake, L.H.
10	129962	Washer, Hardened	51	130840	Brake Assembly
11	STD551137	Washer, Lock 3/8	52	17490512	Screw, Hex Washer Head, Thd., Roll. 5/16-18 x 3/4
12	850857	Bolt, Hex 3/8-24 x 1-1/4 Grade 8	53	131288	Rod, Brake, R.H.
13	128961	Stripper, Mower, Vented	54	STD533720	Bolt, Carriage 3/8-16 x 1-3/4 Grade 5
14	106736X	Shield, Deflector	55	4921H	Spring, Retainer
15	106735X	Rod, Hinge	56	136782	Plate, Adjustment
16	105896X	Bracket Assembly, Deflector	57	72140606	Bolt, Carriage 3/8-16 x 3/4
17	110452X	Pushnut	58	19131212	Washer 13/32 x 3/4 x 12 Gauge
18	123713X	Spring, Deflector	59	73800500	Locknut, Hex, with Washer Insert 5/16-18 UNC
19	19111016	Washer 11/32 x 5/8 x 16 Gauge	60	19111112	Washer 11/32 x 11/16 x 16 Gauge
20	105304X	Cap, Sleeve	61	72140506	Bolt, Carriage 5/16-18 X 3/4
21	128772	Runner, R.H.	62	3146R	Retainer Spring
22	19111216	Washer 11/32 x 3/4 x 16 Gauge	63	4497H	Retainer Spring
23	78158	Bolt, Hex Head 5/16-18 x 1-1/4	64	73750600	Locknut 3/8-16
24	STD624008	Retainer, Spring	65	19132016	Washer 13/32 x 1-1/4 x 16 Gauge
25	74600636	Bolt, Carriage 3/8-16 x 2-1/4	66	10040600	Washer, Lock, Heavy Helical Spring 3/8
26	19131612	Washer 13/32 x 1 x 12 Gauge	67	135651	Nut, Wing
27	132556	Link Assembly, Front	68	132803	Cover Assembly, Mulching
28	73350800	Nut, Hex, Jam 1/2-13 UNC	69	74930620	Bolt, Hex Head 3/8-16 x 1-1/4
29	130171	Trunnion	--	138422	Mower Deck, Complete (Standard Deck, Order Separately Mulching Blade and Mulching Components, Key Numbers 9, and 64-69)
30	STD541450	Locknut, with Washer Insert	--	130794	Mandrel Assembly (Includes Key Numbers 5-8, 10-12, 39 and 41)
31	132553	Rod, Clutch, Primary			
32	STD541237	Nut, Hex, Jam 3/8-16			
33	132559	Arm, Suspension, Rear			
34	133604	Trunnion 3/8-16			
35	132554	Rod, Clutch, Secondary			
36	STD551037	Washer 13/32 x 13/16 x 16 Gauge			
37	STD560907	Pin, Cotter 3/32 x 3/4			
38	133840	Idler Arm			
39	129963	Washer .150 Thick			
40	129206	Pulley, Mandrel			
41	73050900	Nut, Flangelock 9/16			

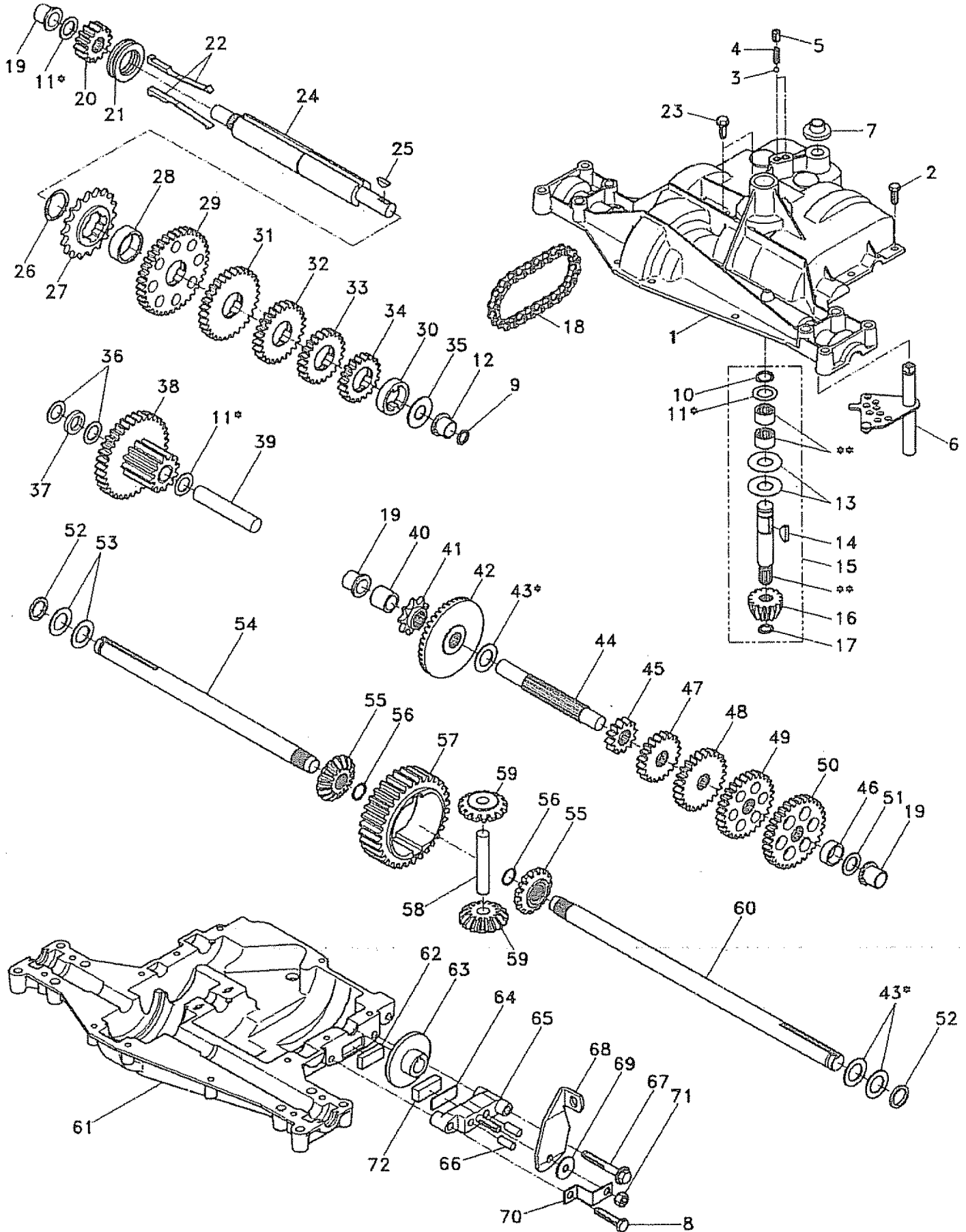
NOTE: All component dimensions given in U.S. inches
1 inch = 25.4 mm

HARDWARE SHOWN LARGER FOR EASIER IDENTIFICATION

REPAIR PARTS

12.5 HP 38" TRACTOR - - MODEL NUMBER 917.256930

DANA TRANSAXLE - MODEL NUMBER 4360-50



REPAIR PARTS

12.5 HP 38" TRACTOR - - MODEL NUMBER 917.256930

DANA TRANSAXLE - MODEL NUMBER 4360-50

KEY PART NO. NO.	DESCRIPTION	KEY PART NO. NO.	DESCRIPTION
1 138248	Housing, Upper	40 120472X	Spacer .635 x .875 x .755
2 2274J	Screw, Self-Tapping, Large 1/4-20 x .734	41 105928X	Sprocket, 9 Teeth
3 134400	Ball, Detent	42 110084X	Gear, Bevel, 42 Teeth
4 105904X	Spring, Detent	43 134394	* Assembly, Kit, Shim .750 Shaft
5 105905X	Screw, Set	44 120473X	Shaft, Drive
6 138235	Kit, Shifter Assembly	45 105933X	Gear, Spur, 12 Teeth
7 134399	Boot, Shifter	46 105936X	Spacer .781 x 1.00 x .375
8 106596X	Screw, Self-Tapping, Large 5/16-18 x 1.44	47 120407X	Gear, Spur, 20 Teeth
9 138241	Square Ring	48 106589X	Gear, Spur, 25 Teeth
10 2267J	Ring, Retaining	49 120408X	Gear, Spur, 28 Teeth
11 134793	* Assembly, Kit, Shim .625 Shaft	50 105937X	Gear, Spur, 31 Teeth
12 138240	Bearing, Flange	51 2226J	Washer, Plain .632 x 1.00 x .060
13 120415X	Washer, Plain .632 x 1.38 x .046	52 134401	Washer, Neoprene
14 2257J	Key, Woodruff, #9	53 2264J	Washer, Plain .758 x 1.25 x .031
15 138234	Assembly, Kit, Input Shaft	54 123907X	Axle, L.H.
16 110078X	Pinion, Bevel, 14 Teeth	55 110081X	Gear, Miter, 15 Teeth
17 105909X	Ring, Retaining	56 105941X	Ring, Retaining
18 105910X	Chain, 24 Pitches	57 110071X	Gear, Spur, 32 Teeth
19 105911X	Bearing, Flange	58 120952X	Shaft, Cross
20 138242	Gear, Spur, 14 Teeth	59 110082X	Gear, Miter, 15 Teeth
21 138246	Collar, Clutch	60 123908X	Axle, R.H.
22 138236	Assembly, Kit, Clutch Keys	61 138247	Housing, Lower
23 134791	Screw, Self-Tapping, with Sealer	62 120961X	Puck, Friction
24 138243	Shaft, Intermediate	63 7294J	Disc, Brake
25 2244J	Key, Woodruff, #61	64 108989X	Spacer
26 105916X	Ring, Retaining	65 120953X	Jaw, Brake
27 120470X	Sprocket, 18 Teeth	66 120954X	Pin, Dowel
28 110070X	Spacer	67 134799	Screw, Self-Tapping, Large 5/16-18 x 2.25
29 108977X	Gear, Spur, 37 Teeth	68 138244	Lever, Actuating
30 134797	Spacer 1.133 x 1.50 x .375	69 108996X	Washer, Plain .321 x 1.00 x .055
31 120405X	Gear, Spur, 30 Teeth	70 120956X	Bracket, Anti-Rotation
32 108980X	Gear, Spur, 25 Teeth	71 73810500	Locknut 5/16-24
33 120406X	Gear, Spur, 22 Teeth	72 120951X	Puck, Friction
34 134796	Gear, Spur, 19 Teeth	73 120416X	Grease
35 105925X	Washer, Plain .640 x 1.37 x .061		
36 2232J	Washer, Plain .632 x 1.00 x .026		
37 108978X	Spacer .630 x 1.00 x .169		
38 110079X	Assembly, Gear, Combination of 12 Teeth and 35 Teeth		
39 124639X	Shaft, Idler		

* Use in combinations to maintain proper clearances

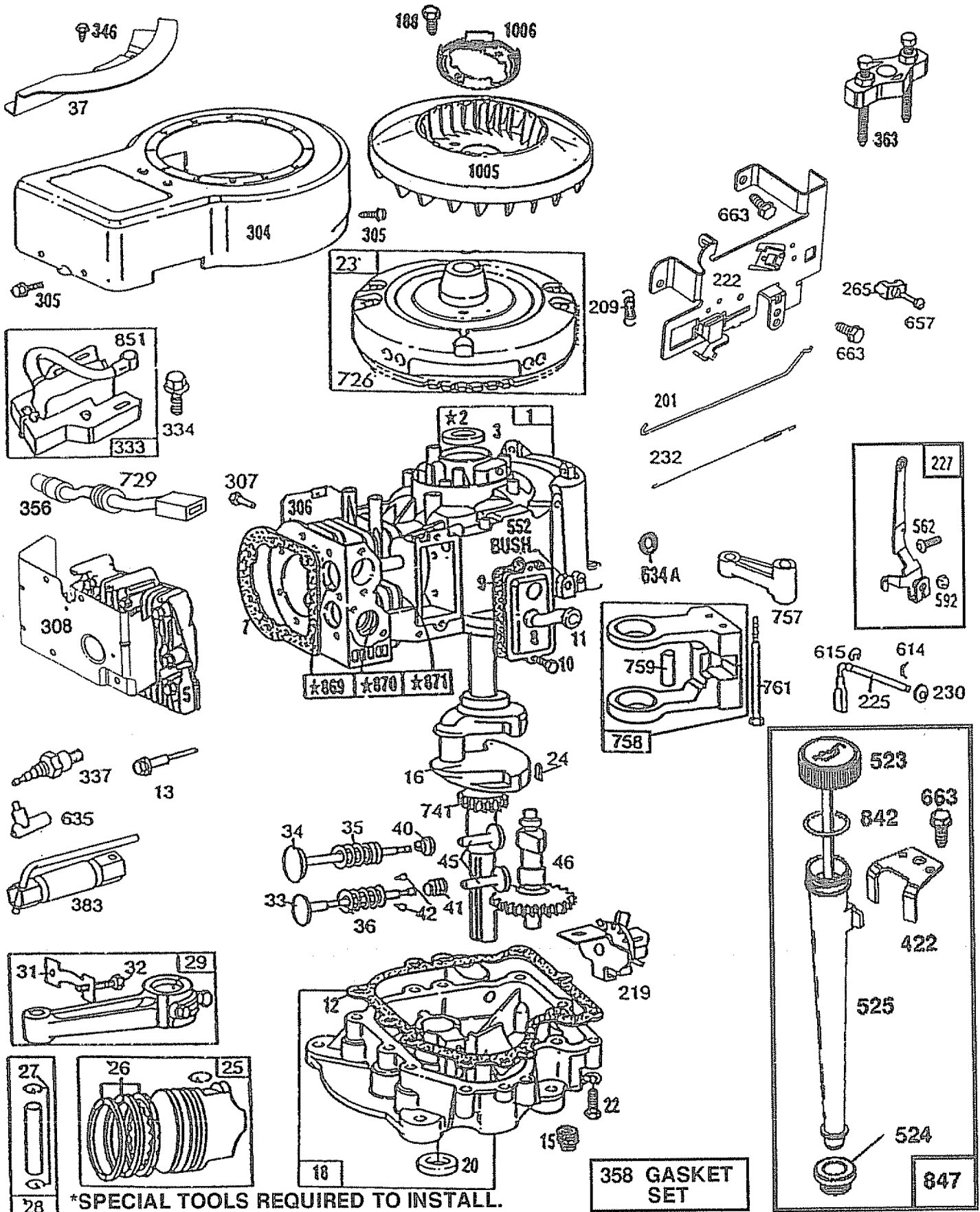
** Order Key No. 15

NOTE: All component dimensions given in U.S. inches
1 inch = 25.4 mm

REPAIR PARTS

12.5 HP 38" TRACTOR - - MODEL NUMBER 917.256930

BRIGGS & STRATTON ENGINE - MODEL NUMBER 286707, TYPE NUMBER 0441-01

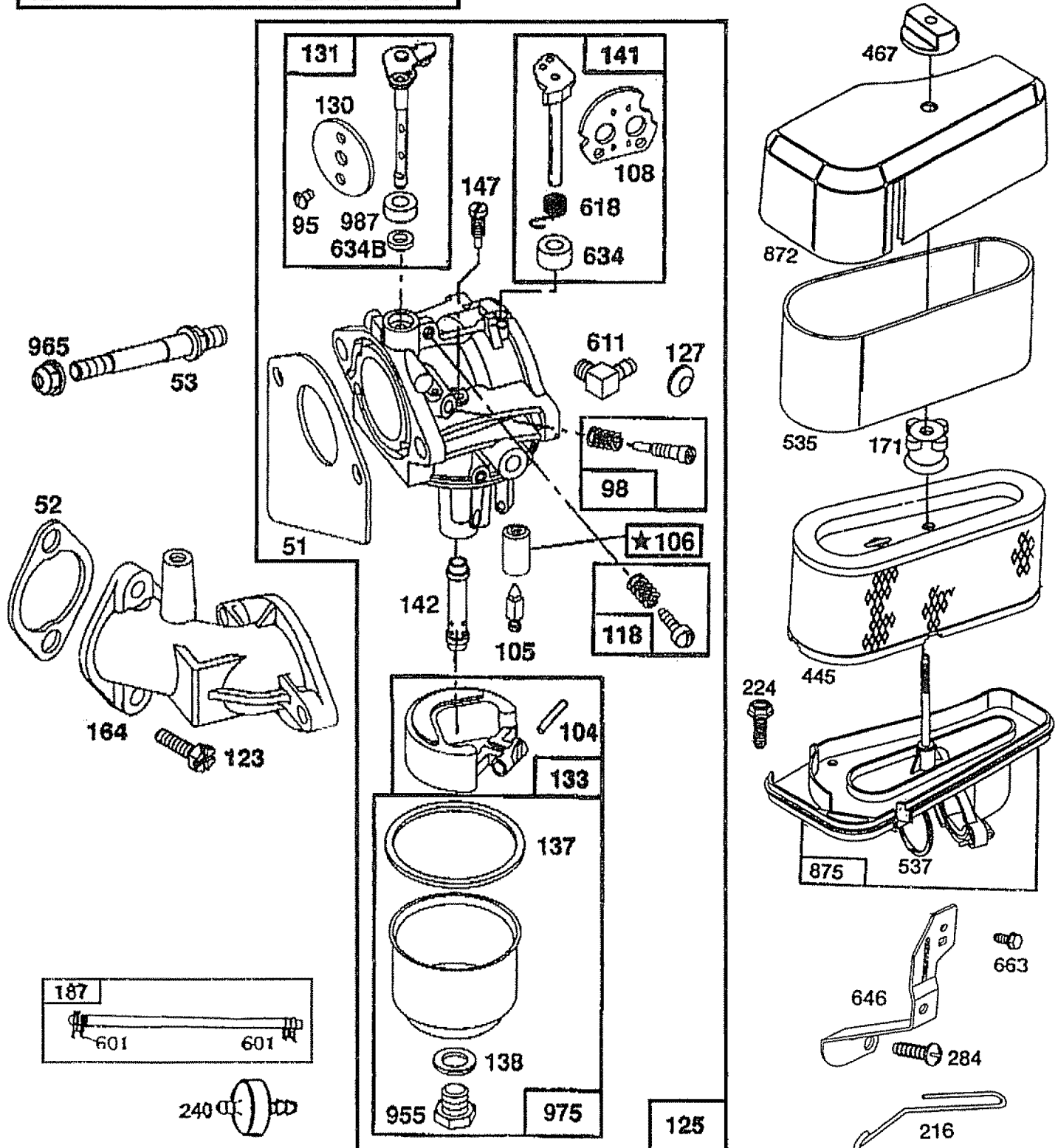


REPAIR PARTS

12.5 HP 38" TRACTOR - - MODEL NUMBER 917.256930

BRIGGS & STRATTON ENGINE - MODEL NUMBER 286707, TYPE NUMBER 0441-01

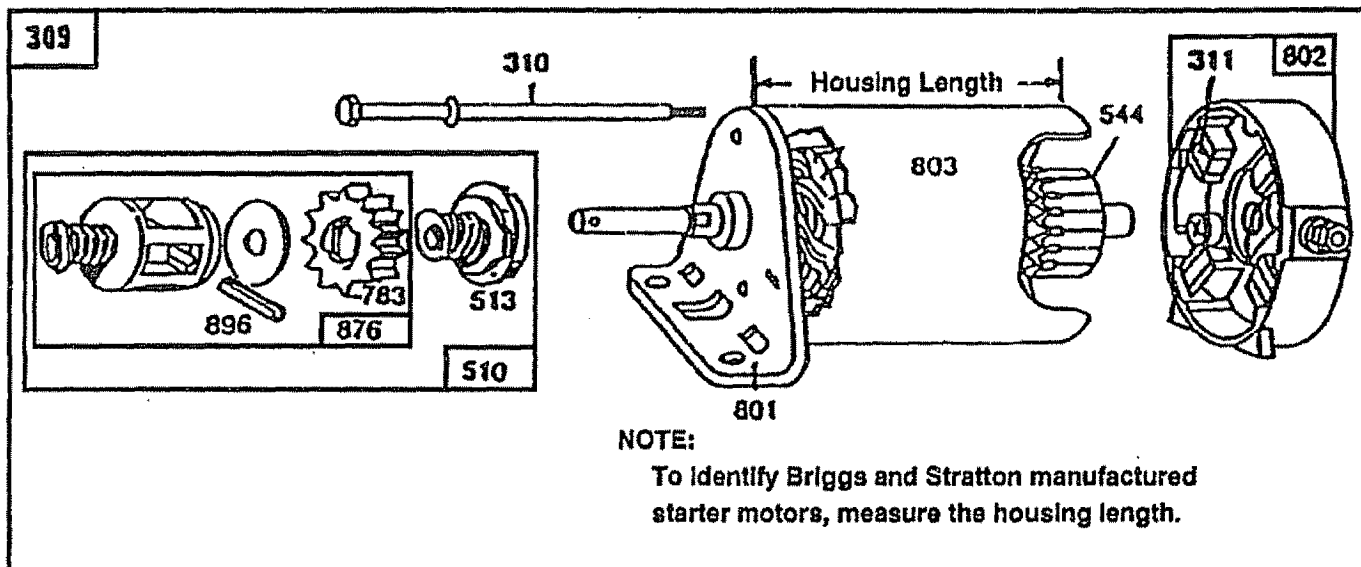
121 CARBURETOR OVERHAUL KIT



REPAIR PARTS

12.5 HP 38" TRACTOR - - MODEL NUMBER 917.256930

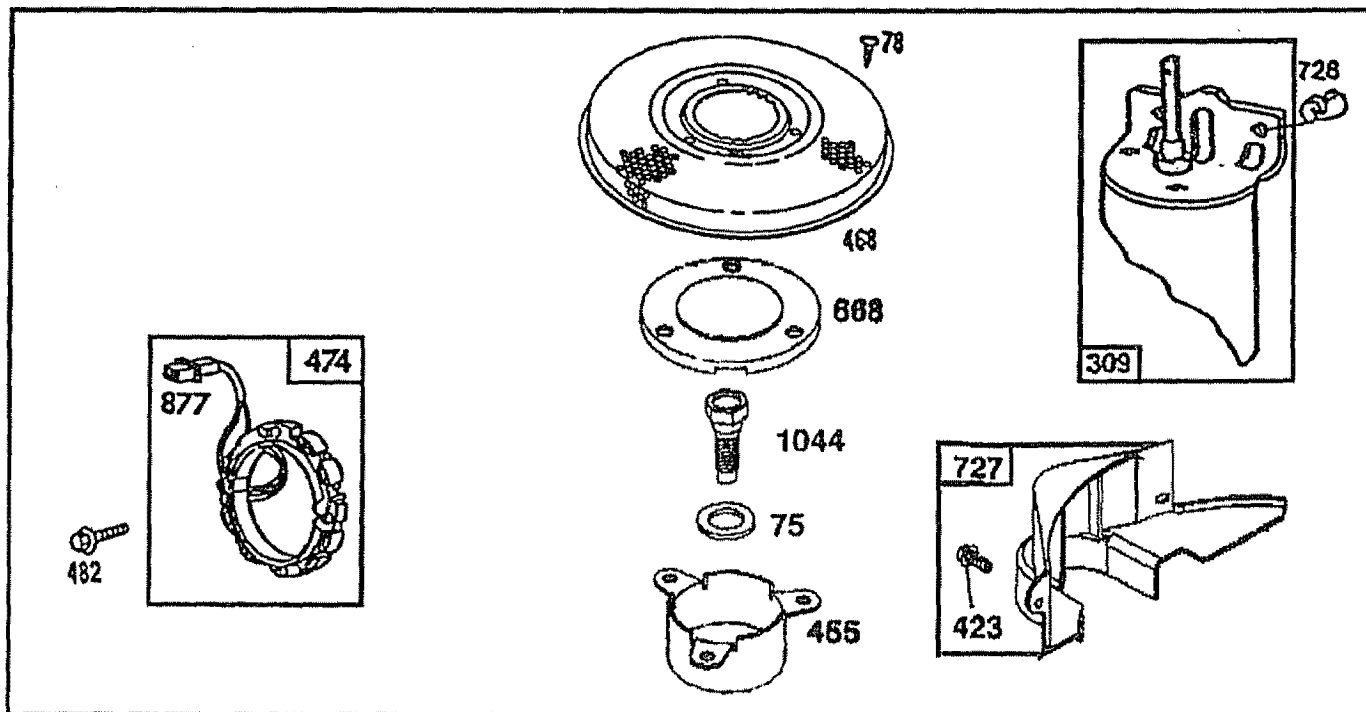
BRIGGS & STRATTON ENGINE - MODEL NUMBER 286707, TYPE NUMBER 0441-01



KEY NUMBER	309	310	311	510	544	801	802	803
	Motor and Drive Assy.	Thru Bolt Assembly	Brush Assembly	Drive Assembly	Armature Assembly	Drive End Cap Assembly	End Cap Assy. Commutator	Housing Assembly
MANUFACTURER								
Briggs & Stratton	Housing Length							
12V	3-21/32"	394805	94003	395538	490421**	390837	395537*	398159

*Includes Brush Set

**Includes
 #398003 Clutch Assembly (Key Number 513)
 #280104 Gear (Key Number 783)
 #490467 Retainer and Pin (Key Number 876)
 #94288 Roll Pin (Key Number 896)



REPAIR PARTS

12.5 HP 38" TRACTOR - - MODEL NUMBER 917.256930

BRIGGS & STRATTON ENGINE - MODEL NUMBER 286707, TYPE NUMBER 0441-01

KEY PART NO.	NO.	DESCRIPTION	KEY PART NO.	NO.	DESCRIPTION
1	490450	Cylinder Assembly	45	262248	Tappet-Valve
2	399265	Bearing, Cylinder (Requires Special Tools For Installation)	46	212897	Gear, Cam
3	391086	* Seal, Oil	51	272465	*** Gasket, Carburetor (Carburetor to Elbow)
5	494240	Head, Cylinder	52	272554	* Gasket, Carburetor (Elbow to Cylinder)
7	271866	* Gasket, Cylinder Head	53	94637	Stud, Carburetor Mounting
8	391406	Breather Assembly	75	224061	Washer, Spring
9	27803	Gasket, Valve Cover	78	93805	Screw, Sems
10	94621	Screw, Sems	95	94098	** Screw, Throttle
11	280100	Tube, Breather	98	495800	Screw, Idle Speed
12	271916	* Gasket, Crankcase Cover 1/64"	104	231789	** Pin, Float Hinge
	271997	* Gasket, Crankcase Cover .005"	105	231855	** Valve Assembly, Inlet Needle
	271996	* Gasket, Crankcase Cover .009"	106	231854	Inlet Valve Seat
13	94622	Screw, Cylinder Head 3"	108	224540	Valve, Choke
15	94239	Plug, Oil Drain	118	494383	** Valve, Needle
16	495162	Crankshaft	121	495799	Carburetor Overhaul Kit (Includes Items marked ** and ***)
	94196	Key, Timing Gear	123	94616	Screw, Elbow Mounting
18	494238	Base, Engine	125	495706	Carburetor Assembly
20	291675	* Seal, Oil	127	- - -	** Plug, Welch (Sold in Kit Only)
22	94624	Screw, Sems, Base Mounting	130	224539	Valve, Throttle
23	492326	Flywheel and Ring Gear Assembly, Magneto	131	494379	Shaft and Lever, Throttle
24	222698	Key, Flywheel	133	494381	Float, Carburetor
25	394661	Piston Assembly, Standard	137	281165	*** Gasket, Float Bowl
	394662	Piston Assembly .010" Oversize	138	281164	*** Washer, Float Bowl Screw
	394663	Piston Assembly .020" Oversize	141	494380	** Shaft and Lever, Choke
	394664	Piston Assembly .030" Oversize	142	494537	** Nozzle/Jet, Carburetor
26	391780	Ring Set, Piston, Standard		494499	High Altitude Kit:
	392331	Ring Set, Piston, Chrome, Standard			231796 Pilot Jet, High Altitude
	391781	Ring Set, Piston .010" Oversize			281164 Seal, Bowl Screw
	391782	Ring Set, Piston .020" Oversize	147	231794	** Pilot, Jet
	391783	Ring Set, Piston .030" Oversize	164	213819	Carburetor, Elbow
27	260924	Lock, Piston Pin	171	281051	Nut, Air Cleaner Mounting
28	299691	Pin Assembly, Piston, Standard	187	393815	Line, Fuel, 11" (Cut To Suit)
	391286	Pin Assembly, Piston .005" Over	188	93535	Screw, Sems 3/4"
29	490348	Rod Assembly, Connecting	201	262767	Link, Governor
	490469	Rod Assembly, Connecting .020" Undersize Crankpin Bore	209	260871	Spring, Governor
31	222299	Lock, Connecting Rod Screw	216	262766	Link, Choke
32	92909	Screw, Connecting Rod	219	490815	Oil Slinger, Governor Gear and Bracket Assembly
33	262246	Valve, Exhaust			
34	262247	Valve, Intake			
35	65906	Spring, Intake Valve			
36	26828	Spring, Exhaust Valve			
37	224502	Guard, Flywheel			
40	221596	Retainer, Intake Valve			
41	292260	Rotocoil, Exhaust Valve			
42	93630	Retainer, Exhaust Valve Rotocoil			

* Included in Gasket Set (494241)
 ** Included in Carburetor Overhaul Kit (495799)
 *** Included in both Carburetor Overhaul Kit (495799) and Carburetor Gasket Set (494385)

NOTE: All component dimensions given in U.S. inches
 1 inch = 25.4 mm

REPAIR PARTS

12.5 HP 38" TRACTOR - - MODEL NUMBER 917.256930

BRIGGS & STRATTON ENGINE - MODEL NUMBER 286707, TYPE NUMBER 0441-01

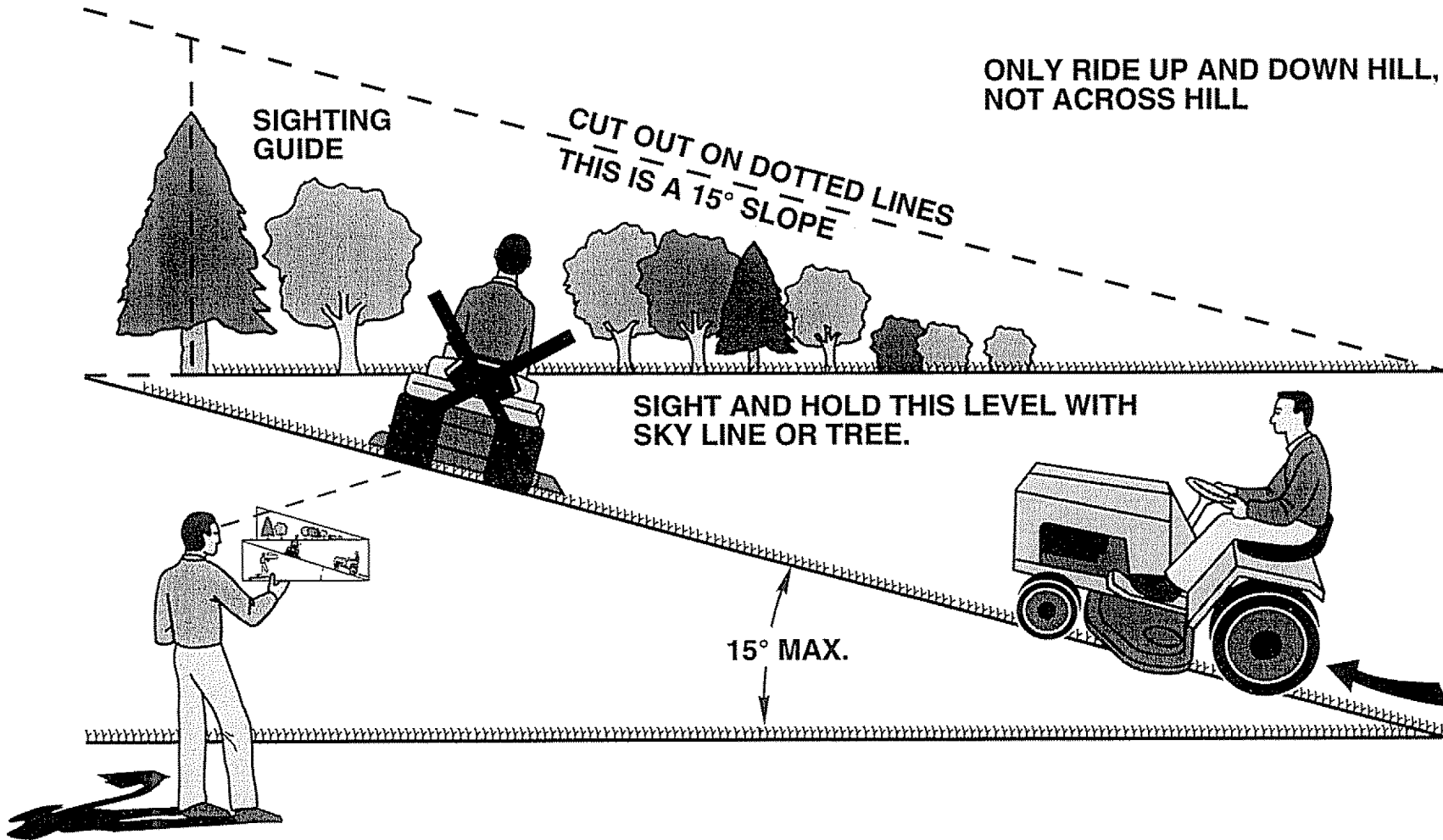
KEY PART NO.	NO.	DESCRIPTION	KEY PART NO.	NO.	DESCRIPTION
222	494887	Plate, Governor Control (Choke-A-Matic)	618	262803	Spring, Choke Return
224	94729	Screw, Sem, Air Cleaner	634	281168	** Seal, Choke Shaft
225	231058	Crank, Governor, 1/4" Diameter	634A	491323	* Seal, Governor
227	493935	Lever Assembly, Governor	634B	281167	Washer, Throttle Shaft
230	94742	Washer, Governor Crank, 1/4" I.D.	635	66538	Elbow, Spark Plug
232	262785	Spring, Governor Link	646	224546	Brace, Air Cleaner
240	394358	Filter, Fuel	657	93496	Screw, Sems
265	221535	Clamp, Casing	663	94620	Screw, Hex Head
284	94326	Screw, Air Cleaner	668	280848	Spacer
304	224504	Housing, Blower, Red	726	392134	Gear, Ring
305	94619	Screw, Sems, Blower Housing Mounting	727	490324	(Includes Mounting Parts) Cover, Starter
306	224545	Shield, Cylinder	728	94627	(Includes Mounting Screws) Screw, Sems
307	94623	Screw, Sems, Cylinder Shield Mtg.	729	281159	Clip, Lead Wire
308	491490	Cover, Cylinder Head	741	262135	Gear, Timing
309	---	Motor, Starting, 12 Volt (See Chart on Illustrated Pages for Replacement Parts)	757	212359	Link, Counterweight
333	492341	Armature, Magneto	758	399891	Counterweight Assembly
334	93381	Screw, Sems, Armature Mounting	759	298909	Pin, Counterweight
337	802592	Plug, Spark, (1-7/8" or 47 mm) (Resistor Type)	761	93875	Screw, Counterweight
346	93705	Screw, Hex Head	842	270920	Seal, Oil Filler Cap
356	494328	Wire, Ground	847	490474	Fill Group, Oil
358	494241	Gasket Set (Includes all items marked *)	851	221798	Terminal, Ignition Cable
363	19203	Puller, Flywheel	869	261463	Seat, Intake Valve, Standard
383	89838	Wrench, Spark Plug	870	210940	Seat, Exhaust Valve, Standard
422	224390	Clamp, Oil Filler Tube	871	261961	Guide, Exhaust Valve
423	93984	Screw, Sems	872	281104	Cover, Air Cleaner
445	493909	Cartridge, Air Cleaner	875	494237	Body, Air Cleaner
455	222561	Cup, Screen Mounting	877	393456	Diode and Connector Assembly, Dual Circuit
467	493903	Knob, Air Cleaner	955	94642	** Screw, Fuel Bowl
468	222562	Screen, Flush Rotating	965	94108	Locknut, Air Cleaner Mounting
474	393474	Stator, Alternator, Dual Circuit	975	494378	Bowl Assembly, Carburetor
482	93621	Screw, Sems	977	494385	Carburetor Gasket Kit (Includes items marked ***)
523	495230	Cap and Dipstick, Oil Filler	987	281166	** Seal, Throttle Shaft
524	68838	Seal, Filler Tube	1005	280687	Fan, Flywheel
525	280741	Tube, Oil Filler	1006	224413	Retainer, Fan
535	272403	Element, Air Cleaner	1044	94673	Screw, Shoulder, Hex Head
537	281106	* O-Ring, Air Cleaner	RPM Settings: Low Speed: 1550-1950		
552	231597	Bushing, Governor Crank, 1/4" I.D.	High Speed: 3200-3400		
562	92613	Bolt, Governor Lever	* Included in Gasket Set (494241)		
592	231082	Nut, Hex #10-24	** Included in Carburetor Overhaul Kit (495799)		
601	93053	Clamp, Fuel Pipe	*** Included in both Carburetor Overhaul Kit (495799) and Carburetor Gasket Set (494385)		
611	494451	Fuel Inlet Tube			
614	93306	Cotter, Hair Pin			
615	93307	Retainer, E-Ring			


NOTE: All component dimensions given in U.S. inches
1 inch = 25.4 mm

SERVICE NOTES

SERVICE NOTES

SUGGESTED GUIDE FOR SIGHTING SLOPES FOR SAFE OPERATION



 Operate your Tractor up and down the face of slopes (not greater than 15°), never across the face. Make turns gradually to prevent tipping or loss of control. Exercise extreme caution when changing direction on slopes.

SEARS

**OWNER'S
MANUAL**

**MODEL NO.
917.256930**

**HOW TO ORDER
REPAIR PARTS**

CRAFTSMAN®

**12.5 HP
ELECTRIC START
3 in One Convertible
38" MOWER
5 SPEED TRANSAXLE
LAWN TRACTOR**

Each tractor has its own model number. Each engine has its own model number.

The model number for your tractor will be found on the model plate located under the seat.

The model number for your engine will be found on the blower housing of the engine.

All parts listed herein may be ordered from any Sears, Roebuck and Co. Service Center/Department and most Retail Stores.

**WHEN ORDERING REPAIR PARTS, ALWAYS GIVE THE
FOLLOWING INFORMATION:**

- **PRODUCT - LAWN TRACTOR**
- **MODEL NUMBER - 917.256930**
- **ENGINE MODEL NO. - 286707, TYPE NO. 0441-01**
- **PART NUMBER**
- **PART DESCRIPTION**

Your Sears merchandise has added value when you consider Sears has service units nationwide staffed with Sears trained technicians... professional technicians specifically trained to insure that we meet our pledge to you, we service what we sell.

Free Manuals Download Website

<http://myh66.com>

<http://usermanuals.us>

<http://www.somanuals.com>

<http://www.4manuals.cc>

<http://www.manual-lib.com>

<http://www.404manual.com>

<http://www.luxmanual.com>

<http://aubethermostatmanual.com>

Golf course search by state

<http://golfingnear.com>

Email search by domain

<http://emailbydomain.com>

Auto manuals search

<http://auto.somanuals.com>

TV manuals search

<http://tv.somanuals.com>