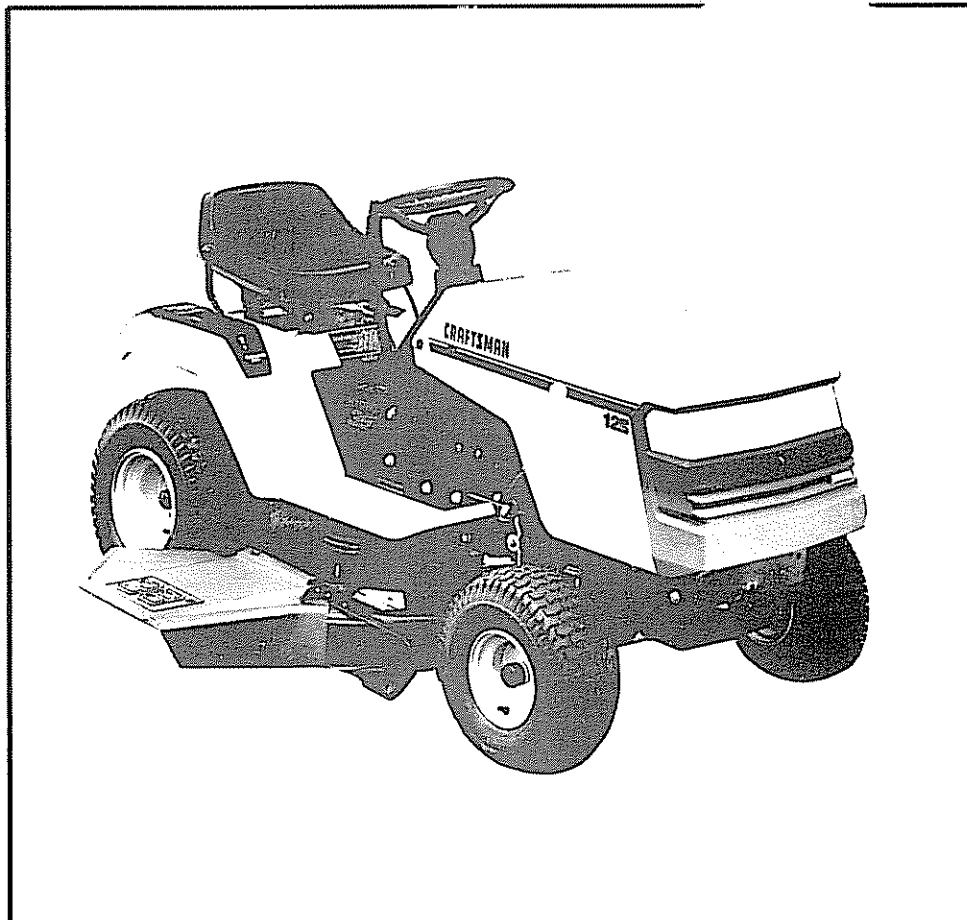


SEARS

**OWNER'S
MANUAL**

**MODEL NO.
917.257360**

Caution:
Read and follow
all Safety Rules
and Instructions
Before Operating
This Equipment



CRAFTSMAN[®]

**12.0 HP IC
ELECTRIC START
38" MOWER
AUTOMATIC (HYDROSTATIC)
LAWN TRACTOR**

- Assembly
- Operation
- Maintenance
- Service and Adjustment
- Repair Parts

Sears, Roebuck and Co., Chicago, IL 60684 U.S.A.

SAFETY RULES



CAUTION: ALWAYS DISCONNECT SPARK PLUG WIRE AND PLACE WIRE WHERE IT CANNOT CONTACT SPARK PLUG TO PREVENT ACCIDENTAL STARTING WHEN SETTING-UP, TRANSPORTING, ADJUSTING OR MAKING REPAIRS.



IMPORTANT

SAFETY STANDARDS REQUIRE OPERATOR PRESENCE CONTROLS TO MINIMIZE THE RISK OF INJURY. YOUR UNIT IS EQUIPPED WITH SUCH CONTROLS. DO NOT ATTEMPT TO DEFEAT THE FUNCTION OF THE OPERATOR PRESENCE CONTROLS UNDER ANY CIRCUMSTANCES.

TRAINING:

- Know the controls and how to stop quickly. Read this owner's manual and instructions furnished with attachments.
- Do not allow children to operate the machine. Do not allow adults to operate it without proper instruction.
- Do not carry passengers. Do not mow when children and others are around.
- Do not attempt to operate your vehicle or mower when not in the driver's seat.
- Always get on or off your vehicle from the operator's left hand side.
- The vehicle and attachments should be stopped and inspected for damage after striking a foreign object, and the damage should be repaired before restarting and operating the equipment.
- Never mow in wet or slippery grass, when traction is unsure, or at a speed which could cause a skid.
- Stay alert for holes in the terrain and other hidden hazards. Keep away from drop-offs.
- Do not drive too close to creeks, ditches, and public high-ways.
- Exercise special care when mowing around fixed objects in order to prevent the blades from striking them. Never deliberately run vehicle or mower into or over any foreign objects.
- Never shift gears until vehicle comes to a stop.
- Never place hands or feet under the mower, in discharge chute, or near any moving parts while vehicle or mower is running. Always keep clear of discharge chute.
- Use care when pulling loads or using heavy equipment
 - Use only approved drawbar hitch points.
 - Limit loads to those you can safely control.
 - Do not turn sharply. Use care when backing.
 - Use counterweight or wheel weights when suggested in owner's manual.
- Watch out for traffic when crossing or near roadways.
- When using any attachments, never direct discharge of material toward bystanders nor allow anyone near the vehicle while in operation.
- Except for adjustments, do not operate engine if air cleaner or cover directly over carburetor air intake is removed. Removal of such part could create a fire hazard.
- Do not change the engine governor settings or overspeed the engine; severe damage or injury may result.
- When using the vehicle with mower, proceed as follows:
 - Mow only in daylight or in good artificial light.
 - Shut the engine off when unclogging chute.
 - Check the blade mounting bolts for proper tightness at frequent intervals.
- Disengage power to mower before backing up. Do not mow in reverse unless absolutely necessary and then only after careful observation of the entire area behind the mower.

PREPARATION:

- Always wear substantial footwear. Do not wear loose fitting clothing that could get caught in moving parts.
- Clear the work area of objects (wire, rocks, etc.) which might be picked up and thrown.
- Disengage all attachment clutches before attempting to start the engine.
- Handle gasoline with care - it is highly flammable
 - Use approved gasoline containers.
 - Never remove the fuel cap of the fuel tank or add gasoline to a running or hot engine or an engine that has not been allowed to cool for several minutes after running. Never fill tank indoors. Always clean up spilled gasoline.
 - Open doors if the engine is run in the garage - exhaust fumes are dangerous. Do not run the engine indoors.
- Do not operate the mower without the entire grass catcher, on mowers so equipped, or the deflector shield in place.

OPERATION:

- Keep your eyes and mind on your vehicle, mower, and the area being cut. Do not let other interests distract you.
- Disengage power to attachments and stop the engine before leaving the operator's position.
- Disengage power to mower, stop the engine, and disconnect spark plug wire(s) from spark plug(s) before cleaning, making an adjustment, or repair. Be careful to avoid touching hot muffler or engine components.
- Disengage power to attachments when transporting or not in use.
- Take all possible precautions when leaving the vehicle unattended. Disengage the power take-off, lower the attachments, shift into neutral, set the parking brake, stop the engine, and remove the key.
- Do not stop or start suddenly when going uphill or downhill. Mow up and down the face of slopes (not greater than 15°), never across the face.
- Reduce speed on slopes and make turns gradually to prevent tipping or loss of control. Exercise extreme caution when changing direction on slopes.
- While going up or down slopes, place gearshift control lever in 1st gear position to negotiate the slope without stopping.

MAINTENANCE AND STORAGE

- Keep the vehicle and attachments in good operating condition, and keep safety devices in place and working.
- Keep all nuts, bolts, and screws tight to be sure the equipment is in safe working condition.
- Never store the equipment with gasoline in the tank inside a building where fumes may reach an open flame or spark. Allow the engine to cool before storing in any enclosure.
- To reduce fire hazard, keep the engine free of grass, leaves, or excessive grease. Do not clean product while engine is running.
- Do not operate without a muffler, or tamper with exhaust system. Damaged mufflers or spark arresters could create a fire hazard. Inspect periodically and replace if necessary.
- Under normal usage the grass catcher bag material is subject to deterioration and wear. It should be checked frequently for bag replacement. Replacement bags should be checked to ensure compliance with the original manufacturer's recommendations or specifications.



LOOK FOR THIS SYMBOL TO POINT OUT IMPORTANT SAFETY PRECAUTIONS. IT MEANS - ATTENTION!!! BECOME ALERT!!! YOUR SAFETY IS INVOLVED.

CONGRATULATIONS on your purchase of a Sears Tractor. It has been designed, engineered and manufactured to give you the best possible dependability and performance.

Should you experience any problem you cannot easily remedy, please contact your nearest Sears Service Department. We have competent, well-trained technicians and the proper tools to service or repair this unit.

Please read and retain this manual. The instructions will enable you to assemble and maintain your unit properly. Always observe the "SAFETY RULES".

MODEL NUMBER	917.257360
SERIAL NUMBER	_____
DATE OF PURCHASE	_____
THE MODEL AND SERIAL NUMBERS WILL BE FOUND ON A PLATE UNDER THE SEAT.	
YOU SHOULD RECORD BOTH SERIAL NUMBER AND DATE OF PURCHASE AND KEEP IN A SAFE PLACE FOR FUTURE REFERENCE.	

MAINTENANCE AGREEMENT

A Sears Maintenance Agreement is available on this product. Contact your nearest Sears store for details.

CUSTOMER RESPONSIBILITIES

- Read and observe the safety rules.
- Follow a regular schedule in maintaining, caring for and using your unit.
- Follow the instructions under "Maintenance" and "Storage" sections of this owner's manual.

PRODUCT SPECIFICATIONS

HORSEPOWER:	12.0
GASOLINE CAPACITY:	5 QUARTS UNLEADED REGULAR
OIL (1 QUART CAPACITY):	SAE 30 (or 10W-30) WINTER: SAE 5W-30
SPARK PLUG (GAP .030 IN.):	CHAMPION RJ19LM
VALVE CLEARANCE:	INTAKE .005 - .007 IN. EXHAUST .009 - .011 IN.
GROUND SPEED:	FORWARD: 0-5.2 MPH REVERSE: 0-2.2 MPH
TIRE PRESSURE:	FRONT: 14 PSI REAR: 10 PSI
CHARGING SYSTEM:	5 AMPS @ 3600 RPM
BLADE BOLT TORQUE:	30-35 FT. LBS.

WARNING: This unit is equipped with an internal combustion engine and should not be used on or near any unimproved forest-covered, brush-covered or grass-covered land unless the engine's exhaust system is equipped with a spark arrester meeting applicable local or state laws (if any). If a spark arrester is used, it should be maintained in effective working order by the operator.

In the state of California the above is required by law (Section 4442 of the California Public Resources Code). Other states may have similar laws. Federal laws apply on federal lands. A spark arrester for the muffler is available through your nearest Sears Authorized Service Center (See REPAIR PARTS section of this manual).

LIMITED TWO YEAR WARRANTY ON ELECTRIC START RIDING EQUIPMENT

For two years from date of purchase, when this riding equipment is maintained, lubricated, and tuned up according to the operating and maintenance instructions in the owner's manual, Sears will repair free of charge any defect in material or workmanship.

This Warranty does not cover:

- Tire replacement or repair caused by punctures from outside objects (such as nails, thorns, stumps, or glass).
- Expendable items which become worn during normal use, such as blades, spark plug, air cleaners and belts.
- Repairs necessary because of operator abuse or negligence, including bent crankshafts and the failure to maintain the equipment according to the instructions contained in the owner's manual.
- Riding equipment used for commercial or rental purposes.

FULL 90 DAY WARRANTY ON BATTERY

For 90 days from date of purchase, if any battery included with this riding equipment proves defective in material or workmanship and our testing determines the battery will not hold a charge, Sears will replace the battery at no charge.

WARRANTY SERVICE IS AVAILABLE BY CONTACTING THE NEAREST SEARS SERVICE CENTER/DEPARTMENT IN THE UNITED STATES. THIS WARRANTY APPLIES ONLY WHILE THIS PRODUCT IS IN USE IN THE UNITED STATES.

This Warranty gives you specific legal rights, and you may also have other rights which vary from state to state.

SEARS, ROEBUCK AND CO., D/731CR-W SEARS TOWER, CHICAGO, IL 60684

TABLE OF CONTENTS

SAFETY RULES	2	OPERATION	10-13
PRODUCT SPECIFICATIONS	3	MAINTENANCE	14-18
CUSTOMER RESPONSIBILITIES	3	SERVICE AND ADJUSTMENTS	18-25
WARRANTY	3	STORAGE	26
TABLE OF CONTENTS	4	TROUBLESHOOTING	29-30
INDEX	4	REPAIR PARTS - TRACTOR	30-45
TRACTOR ACCESSORIES	5	REPAIR PARTS - ENGINE	46-50
ASSEMBLY	7-9	PARTS ORDERING/SERVICE	BACK PAGE

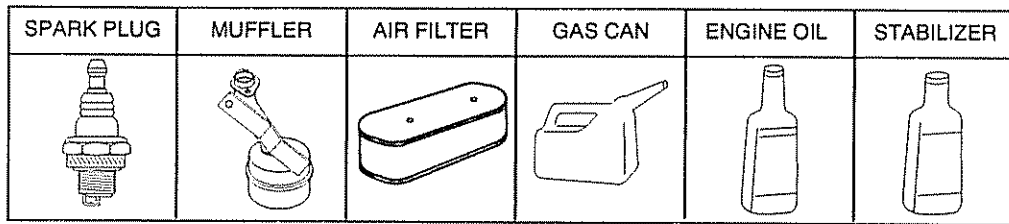
INDEX

A		F		Options:	
Accessories	5	Filter:		Accessories	5
Adjustments:		Air Cleaner	17	Spark Arrester	3,34
Brake	21	Fuel	18	P	
Carburetor	25	Fuel:		Parking Brake	10-11
Mower Blade Drive Belt	20	Type	12	Parts Bag	6
Mower		Storage	26	Parts, Replacement/Repair	30-50
Front-To-Back	19	Fuse	23	Product Specifications	3
Side-To-Side	19	H		R	
Throttle Control Cable	25	Headlights	23	Repair Parts	30-50
Air Filter, Engine	17	Hood Removal/Installation	24	S	
Air Screen, Engine	17	L		Safety Rules	2
Assembly	7-9	Leveling Mower Deck	19	Seat	8
B		Lubrication:		Service and Adjustments	18-25
Battery:		Chart	14	Carburetor	25
Charging	8	M		Fuse	23
Cleaning	15	Maintenance	14-18	Hood Removal/Installation	24
Installation	9	Air Filter	17	Motion Drive Belt	
Levels	8,15	Foam Pre-cleaner	17	Removal/Replacement	21
Preparation	8	Air Screen, Engine	17	Mower Blade Drive Belt	
Starting with Weak Battery	23	Battery	15	Removal/Replacement	20
Storage	26	Blade	15	Adjustment	20
Terminals	15	Brake Adjustment	21	Mower Adjustment	
Belt:		Cooling Fins, Engine	17	Front- to-Back	19
Motion Drive		Engine Oil	16	Side-to-Side	19
Removal/Replacement	21	Fuel Filter	18	Mower Removal	18
Mower Blade Drive		Lubrication Chart	14	Mower Installation	19
Removal/Replacement	20	Schedule	14	Motion Control Lever	22
Adjustment	20	Spark Plugs	18	Tire Care	8,15,22
Blade:		Tire Care	8,15,22	Slope Guide Sheet	51
Sharpening	15	Transaxle	16	Spark Plugs	18
Replacement	15	Mower:		Specifications	3
Brake Adjustment	21	Adjustment, Front-to-Back	19	Starting the Engine	13
C		Adjustment, Side-to-Side	19	Steering Wheel	7,22
Carburetor Adjustment	25	Blade Sharpening	15	Stopping the Tractor	11
Controls, Tractor	10	Blade Replacement	15	Storage	26
Cutting Height, Mower	11	Cutting Height	11	T	
E		Installation	19	Throttle Control Cable	
Electrical:		Operation	12	Adjustment	25
Interlocks and Relays	23	Removal	18	Tires	8,15,22
Schematic	29	Mowing Tips	13	Trouble Shooting Chart	27-28
Wiring Diagram	30	Muffler	17	Transaxle:	
Engine:		Spark Arrester	3,34	Maintenance	16
Air Filter	17	O		Repair Parts	42-45
Air Screen	17	Oil:		W	
Cooling Fins	17	Cold Weather Conditions	12,16	Warranty	3
Oil Change	16	Engine	16	Wiring Diagram	30
Oil Level	12,16	Storage	26	Wiring Schematic	29
Oil Type	16	Operation	10-13		
Preparation	12	Operating Your Mower	12		
Repair Parts	46-50				
Starting	13				
Storage	26				

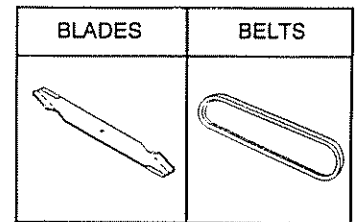
ACCESSORIES AND ATTACHMENTS

These accessories and attachments were available when the unit was purchased. They are also available at most Sears retail outlets, catalog and service centers. Most Sears stores can order these items for you when you provide the model number of your tractor.

ENGINE



MAINTENANCE



PERFORMANCE

Sears offers a wide variety of attachments that fit your vehicle. Many of these are listed below with brief explanations of how they can help you. This list was current at the time of publication; however, it may change in future years - more attachments may be added, changes may be made in these attachments, or some may no longer be available or fit your model. **Contact your nearest Sears store for the accessories and attachments that are available for your unit.**

Most of these attachments do not require additional hitches or conversion kits (those that do are indicated) and are designed for easy attaching and detaching.

PERMANEX BAGGER lets you collect grass clippings and leaves for a healthier, neater looking lawn. Two Permanex containers hold 30-gallon plastic bags.

LAWN SWEEPERS let you collect grass clippings and leaves.

LAWN VACS for powerful collections of heavy grass clippings and leaves. Wand attachment to pick up debris in hard-to-reach places.

CARTS make hauling easy. Variety of sizes available.

ROLLER for smoother lawn surface. 36-inch wide, 18 inch diameter water-tight drum holds up to 390 lbs. of weight. Rounded edges prevent harm to turf. Adjustable scraper automatically cleans drum.

SPREADER/SEEDERS make seeding, fertilizing, and weed killing easy. Broadcast spreaders are also useful for granular de-icers and sand.

CORING AERATOR takes small plugs out of soil to allow moisture and nutrients to reach grass roots. 36-inch swath. 24 hardened steel coring tips. 150 lb. capacity weight tray.

AERATOR promotes deep root growth for a healthy lawn. Tapered 2 5/8" steel spikes mounted on 10-in. diameter discs puncture holes in soil at close intervals to let moisture soak in. Steel weight tray for increased penetration.

DETHATCHER loosens soil and flips thatch and matted leaves to lawn surface for easy pick up. Twenty spring tine teeth. Useful to prepare bare areas for seeding. Available for front or rear mounting.

SPRAYERS use 12-volt DC electric motor that connects to the tractor battery or other 12-volt source. Includes booms for automatic spraying when pulling, and hand held wand for spot spraying. Wand has adjustable spray pattern. For applying herbicides, insecticides, fungicides, and liquid fertilizers.

SNOW BLADE for snow removal only. 14-inch high, 42-inch wide blade clears 38 inch path when angled left or right. Raises, lowers with side lever. Adjustable skids; replaceable, reversible scraper bar. (Use with tire chains, wheel weights, or rear drawbar weight.)

SNOWTHROWER has 40-inch swath. Drum-type auger handles powdery and wet/heavy snow. Mounts easily with simple pin arrangement. Discharge chute adjusts from tractor seat. 6-inch diameter spout discharges snow 10 to 50 feet. Lift controlled at tractor seat. (Use with chains, wheel weights, or rear drawbar weight.)

TIRE CHAINS are heavy duty; closely spaced extra-large cross links give smooth ride, outstanding traction.

WHEEL WEIGHTS for rear wheels provide needed traction for snow removal or dozing heavy materials. In pairs. (30 lbs. each.)

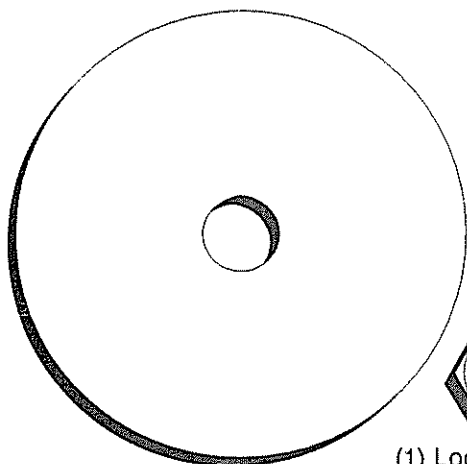
TRACTOR CAB has heavy duty vinyl fabric over tubular steel frame, ABS plastic top; clear plastic windshield offers 360 degree visibility. Hinged metal doors with catch. Keeps operator warm and dry. Remove vinyl and windshields for use as sun protector in summer.

Optional accessories for tractor cab: tinted/tempered solid safety glass windshield with hand operated wiper; 12-volt amber caution light for mounting on cab top.

TRACTOR COVER protects tractor from weather. Made of Evolution 3 fabric (water-repellent, extremely breathable, light weight, soft, non-abrasive, pliable in all temperatures, durable, stain/tear/puncture resistant, will not shrink or stretch).

CONTENTS OF HARDWARE PACK

Parts Bag contents shown full size



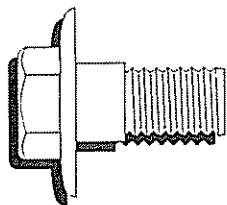
(1) 2-3/8" Dia. Washer



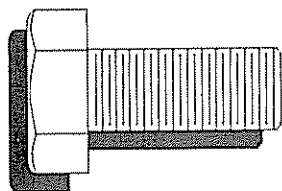
(2) Sheet Metal Screws #10-16 x 1/2



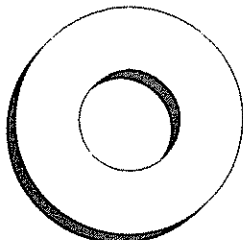
(1) Locknut 1/2 - 20



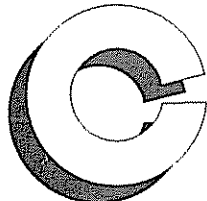
(1) Shoulder Bolt 5/16-18



(1) Hex Bolt 1/2-13 x 1



(1) Washer 17/32 x 1-3/16 x 12 Ga.



(1) Lockwasher 1/2



(2) Hex Bolts 1/4 - 20 x 3/4



(2) Hex Nuts 1/4 - 20



(2) Washers 9/32 x 5/8 x 16 Ga.

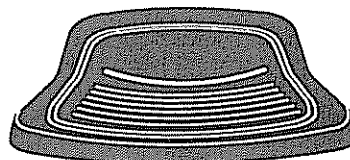


(2) Lockwashers 1/4

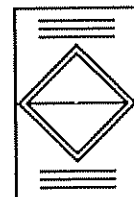


(2) Wing Nuts 1/4 - 20

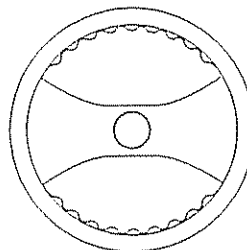
Parts packed separately in carton



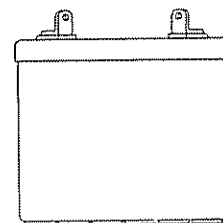
Seat



Battery acid



Steering Wheel



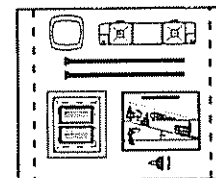
Battery



Steering Boot



Owner's Manual



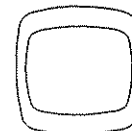
Parts Bag



Steering Bushing



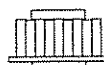
(2) Keys



Steering Wheel Insert



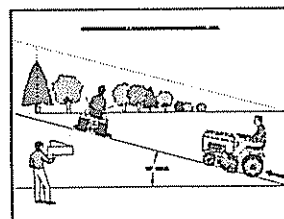
(2) Battery Carriage Bolts 1/4-20 x 7-1/2



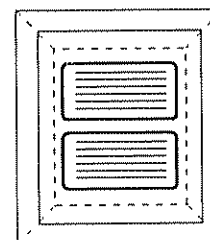
Steering Wheel Adapter



Terminal Guard



15° Slope Sheet



Battery Caps and Instructions

ASSEMBLY

TOOLS REQUIRED FOR ASSEMBLY

A socket wrench set will make assembly easier. Standard wrench sizes are listed.

- | | |
|--------------------|---------------------|
| (1) 5/16" wrench | (1) 3/4" wrench |
| (2) 7/16" wrenches | Tire pressure gauge |
| (1) 1/2" wrench | Screwdriver |
| (1) 9/16" wrench | Utility knife |

When right and left hand is mentioned in this manual, it means when you are in the operating position (seated behind the steering wheel).

TO REMOVE UNIT FROM CARTON UNPACK CARTON

- Remove all loose parts from carton (See page 6).
- Cut, from top to bottom, all four corners of carton and lay panels flat.

ATTACH STEERING WHEEL (See Fig. 1)

- Slide the steering bushing over the steering shaft.
- Raise steering shaft forward until screw holes in dash line up with steering bushing. Install two (2) sheet metal screws and tighten securely.
- Position steering boot over steering shaft.
- Place tabs of steering boot over slots in dash and push down to secure.
- Slide steering wheel adapter onto upper steering shaft.
- Position front wheels of the tractor so they are pointing straight forward.
- Position steering wheel so cross bars are horizontal (left to right) and slide onto adapter.
- Assemble large flat washer and 1/2-20 hex nut and tighten securely.
- Snap insert into center of steering wheel.
- Remove protective plastic from tractor hood.

BEFORE ROLLING UNIT OFF SKID

IMPORTANT: CHECK FOR AND REMOVE ANY STAPLES IN SKID THAT MAY PUNCTURE TIRES WHERE UNIT IS TO ROLL OFF SKID.

- Raise attachment lift lever to its highest position (See Fig. 6).
- Release parking brake by depressing clutch/brake pedal (See Fig. 6).
- Pull freewheel knob up to disengage transmission (See Fig. 6).
- Roll unit backwards off skid.

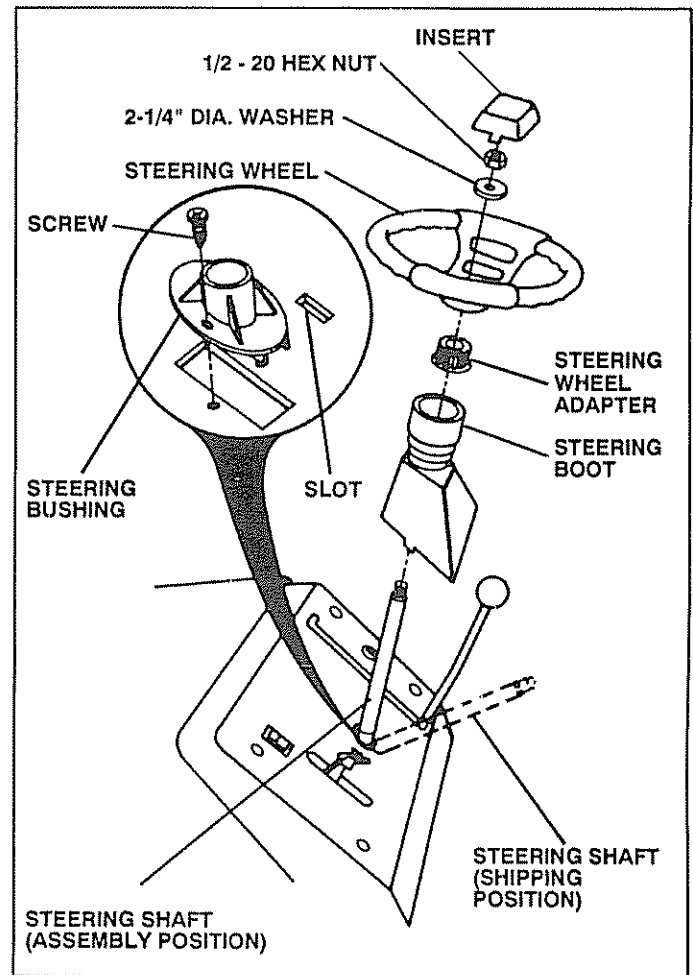


FIG. 1

ASSEMBLY

HOW TO SET UP YOUR TRACTOR PREPARE BATTERY (See Fig. 2)

CAUTION: Wear eye and face shield.

Wash hands or clothing immediately if accidentally in contact with battery acid.



Do not smoke. Fumes from charged battery acid are explosive.

Read the instructions included with the battery vent caps. Always wear gloves, clothing and goggles to protect your hands, skin and eyes.

Your unit has a battery charging system which is sufficient for normal use. However, periodic charging of the battery with an automotive charger will extend its life.

- See instructions packed with vent caps in parts bag.
- Fill battery with acid. Fill each cell until it reaches the bottom of the vent wells. Do not overfill.
- Allow battery to stand and settle for at least thirty minutes. After standing, check the level of acid. If below the vent wells, add more acid until the correct level is reached.

While battery is standing (after adding acid) and later, while battery is being charged, continue with assembly of unit.

- To maximize the life of your battery, it is necessary that the battery be charged before use. Use a 12 volt battery charger. Charge battery at a rate of 6 amperes for 1 hour. Observe all safety precautions required for battery charging. Failure to charge battery can result in a shortened battery life.
- Check the acid level after the battery is charged. If the acid has fallen below the correct level, add distilled or iron free water.
- Install the vent caps to cover the vent wells. Wash the top of the battery with water to remove any acid, then wipe dry.
- Check battery case for leakage to make sure that no damage has occurred in handling.
- Dispose of excess battery acid. Neutralize acid for disposal by adding it to four inches of water in a five gallon plastic container. Stir with a wooden or plastic paddle while adding baking soda until the addition of more soda causes no more foaming.
- Follow instructions on how to install battery.

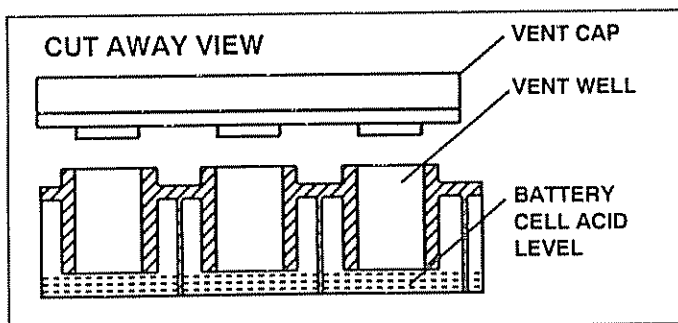


FIG. 2

INSTALL SEAT (See Fig. 3)

Adjust seat before tightening adjustment bolt.

- Remove cardboard packing on seat pan.
- Place seat on pan and assemble shoulder bolt
- Assemble adjustment bolt, lockwasher and flat washer loosely. Do not tighten.
- Tighten shoulder bolt securely.
- Lower seat into operating position and sit on seat.
- Slide seat until a comfortable position is reached which allows you to press clutch/brake pedal all the way down (See Fig. 6)
- Get off seat without moving its adjusted position.
- Raise seat and tighten adjustment bolt securely.

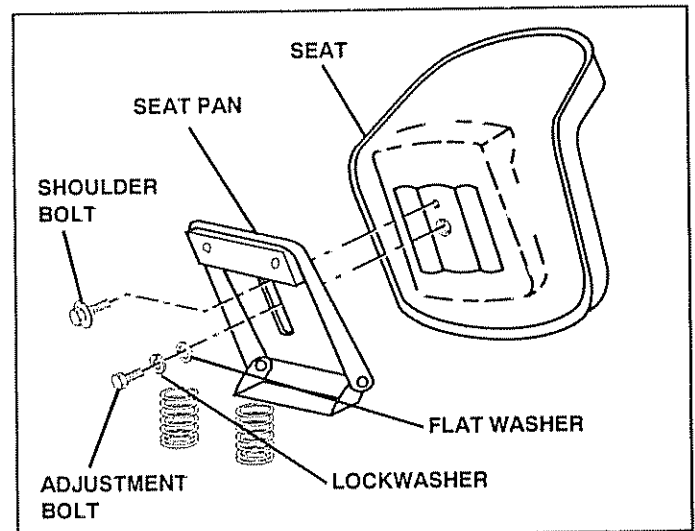


FIG. 3

CHECK TIRE PRESSURE

The tires on your unit were overinflated at the factory for shipping purposes. Correct tire pressure is important for best cutting performance.

- Reduce tire pressure to PSI shown in "PRODUCT SPECIFICATIONS" on page 3 of this manual.

CHECK DECK LEVELNESS

For best cutting results, mower housing should be properly leveled. See "TO LEVEL MOWER HOUSING" in the Service and Adjustments section of this manual.

CHECK FOR PROPER POSITION OF ALL BELTS

See the figures that are shown for replacing motion and mower blade drive belts in the Service and Adjustments section of this manual. Verify that the belts are routed correctly.

CHECK BRAKE SYSTEM

After you learn how to operate your tractor, check to see that the brake is properly adjusted. See "TO ADJUST BRAKE" in the Service and Adjustments section of this manual.

ASSEMBLY

INSTALL BATTERY (See Figs. 4 & 5)



CAUTION: Do not short battery terminals. Before installing battery, remove metal bracelets, wristwatch bands, rings, etc.

Positive terminal must be connected first to prevent sparking from accidental grounding.

- Lift seat to raised position.
- Lower battery into fender well with battery terminals toward front of unit. Make sure battery rests in battery tray.
- Be sure battery drain tube has not come loose and is securely attached to drain in battery tray.
- First connect RED battery cable to positive (+) battery terminal with hex bolt, flat washer, lockwasher and hex nut as shown. Tighten securely.
- Connect BLACK grounding cable to negative (-) battery terminal with remaining hex bolt, flat washer, lockwasher and hex nut. Tighten securely.
- Slide the two battery bolts through the terminal guard and start the wing nuts onto the threads.
- Position terminal guard over the battery as shown, lower bolts into key holes and slide square shafts of bolts into slots of key holes.
- Tighten wing nuts by hand making sure battery bolts remain in slots of the key holes in the battery support.
- Be sure terminal access doors are closed.

Use terminal access doors for:

- Inspection for secure connections (to tighten hardware)
- Inspection for corrosion
- Testing battery
- Jumping (if required)
- Periodic charging

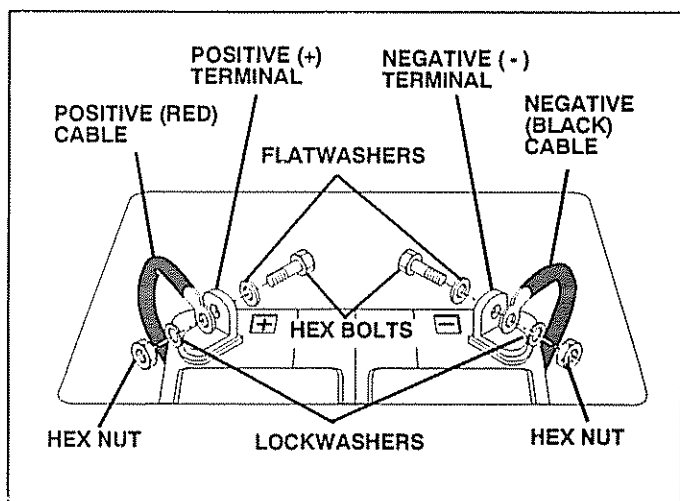


FIG. 4

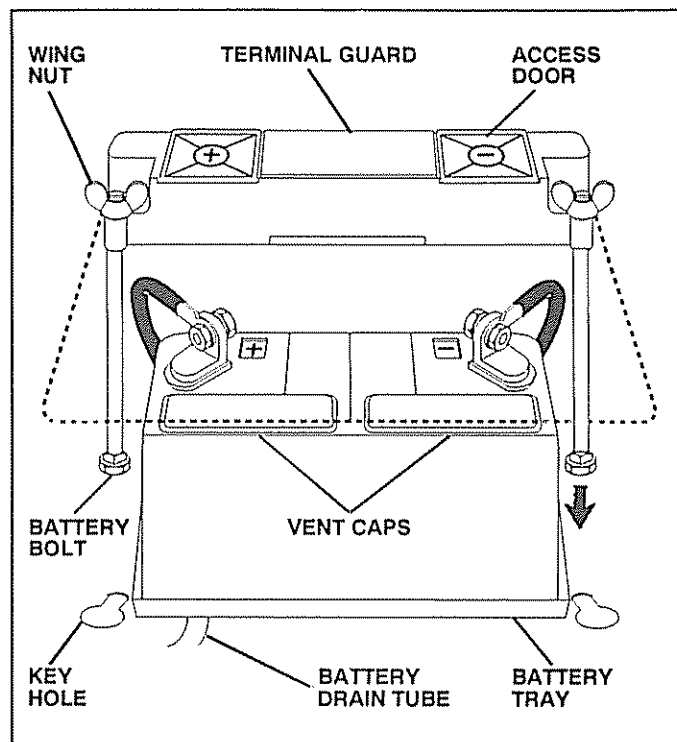


FIG. 5

✓ CHECKLIST

BEFORE YOU OPERATE AND ENJOY YOUR NEW TRACTOR, WE AT SEARS WISH TO ASSURE THAT YOU RECEIVE THE BEST PERFORMANCE AND SATISFACTION FROM THIS QUALITY PRODUCT.

PLEASE REVIEW THE FOLLOWING CHECKLIST:

- ✓ All assembly instructions have been completed.
- ✓ No remaining loose parts in carton.
- ✓ Battery is properly prepared and charged. (Minimum 1 hour at 6 amps).
- ✓ Seat is adjusted comfortably and tightened securely.
- ✓ All tires are properly inflated. (For shipping purposes, the tires were over-inflated at the factory).
- ✓ Be sure mower deck is properly leveled side-to-side/front-to-rear for best cutting results. (Tires must be properly inflated for leveling)
- ✓ Check mower and drive belts. Be sure they are routed properly around pulleys and inside all belt keepers.
- ✓ Check wiring. See that all connections are still secure and wires are properly clamped.

WHILE LEARNING HOW TO USE YOUR TRACTOR, PAY EXTRA ATTENTION TO THE FOLLOWING IMPORTANT ITEMS:

- ✓ Engine oil is at proper level.
- ✓ Fuel tank is filled with fresh, clean, regular unleaded gasoline.
- ✓ Become familiar with all controls - their location and function. Operate them before you start the engine.
- ✓ Be sure brake system is in safe operating condition.

OPERATION

KNOW YOUR TRACTOR

READ THIS OWNER'S MANUAL AND SAFETY RULES BEFORE OPERATING YOUR TRACTOR

Compare the illustrations with your tractor to familiarize yourself with the locations of various controls and adjustments. Save this manual for future reference.

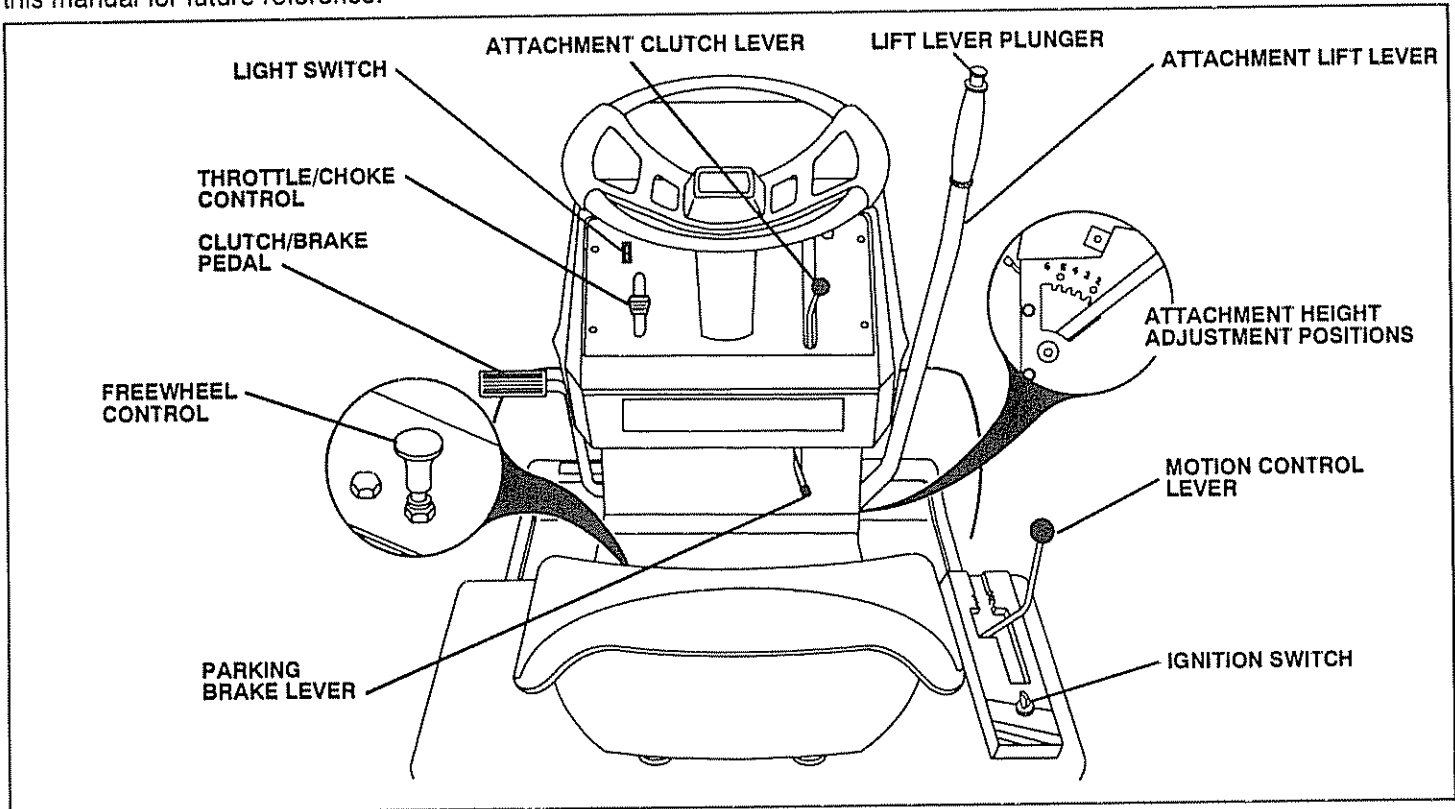


FIG. 6

Sears tractors conform to the safety standards of the American National Standards Institute.

ATTACHMENT CLUTCH LEVER - Used to engage the mower blades or other attachments mounted to your tractor.

CLUTCH/BRAKE PEDAL - Used for declutching and braking the tractor and starting the engine.

IGNITION SWITCH - Used for starting and stopping the engine.

LIGHT SWITCH - Turns the headlights on and off.

FREEWHEEL CONTROL - Disengages transmission for pushing or slowly towing the tractor with the engine off.

MOTION CONTROL LEVER - Selects the speed and direction of the tractor.

PARKING BRAKE LEVER - Locks clutch/brake pedal into the brake position.

THROTTLE/CHOKE CONTROL - Used for starting and controlling engine speed.

LIFT LEVER PLUNGER - Used to release attachment lift lever when changing its position.

ATTACHMENT LIFT LEVER - Used to raise, lower, and adjust the mower deck or other attachments mounted to your tractor.

CAUTION TO AVOID INJURY

- READ OWNER'S MANUAL.
- KNOW LOCATION AND FUNCTION OF ALL CONTROLS.
- KEEP GUARDS, SAFETY SHIELDS AND SWITCHES IN PLACE AND WORKING.
- REMOVE OBJECTS THAT CAN BE THROWN BY BLADES.
- DO NOT MOW WHEN CHILDREN AND OTHERS ARE AROUND.
- NEVER CARRY CHILDREN OR PASSENGERS.
- ALWAYS LOOK BEHIND MACHINE BEFORE BACKING.
- DO NOT MOW WHERE MACHINE CAN TIP OR SLIP.
- IF MACHINE STOPS GOING UPHILL, STOP BLADE AND BACK DOWN SLOWLY.
- BE SURE BLADES AND ENGINE HAVE STOPPED BEFORE PLACING HANDS OR FEET NEAR THE BLADES.
- REMOVE KEY WHEN LEAVING MACHINE.

OPERATION



The operation of any tractor can result in foreign objects thrown into the eyes, which can result in severe eye damage. Always wear safety glasses or eye shields while operating your tractor or performing any adjustments or repairs. We recommend Wide Vision Safety Mask for over the spectacles or standard safety glasses, available at Sears Retail or Catalog Stores.

HOW TO USE YOUR TRACTOR TO SET PARKING BRAKE (See Fig. 7)

Your unit is equipped with an operator presence sensing switch. When engine is running, any attempt by the operator to leave the seat without first setting the parking brake will shut off the engine.

- Depress clutch/brake pedal into full "BRAKE" position and hold.
- Place parking brake lever in "ENGAGED" position and release pressure from clutch/brake pedal. Pedal should remain in "BRAKE" position. Make sure parking brake will hold vehicle secure.

STOPPING (See Fig. 7)

MOWER BLADES -

- Move attachment clutch lever to "DISENGAGED" position.

GROUND DRIVE -

- Depress clutch/brake pedal into full "BRAKE" position
- Move motion control lever to "NEUTRAL" position.

IMPORTANT: THE MOTION CONTROL LEVER DOES NOT RETURN TO "NEUTRAL" POSITION WHEN THE CLUTCH/BRAKE PEDAL IS DEPRESSED

ENGINE -

- Move throttle control to "SLOW" position
- Turn ignition key to "OFF" position and remove key. Always remove key when leaving vehicle to prevent unauthorized use.
- Never use choke to stop engine.

TO USE THROTTLE CONTROL (See Fig. 7)

Always operate engine at full throttle.

- Operating engine at less than full throttle reduces the battery charging rate and the engine cooling air flow
- Full throttle offers the best bagging and mower performance.

TO MOVE FORWARD AND BACKWARD (See Fig. 6)

The direction and speed of movement is controlled by the motion control lever.

- Start unit with the motion control lever in "NEUTRAL" position.
- Release parking brake and clutch/brake pedal.
- Slowly move motion control lever to desired position.

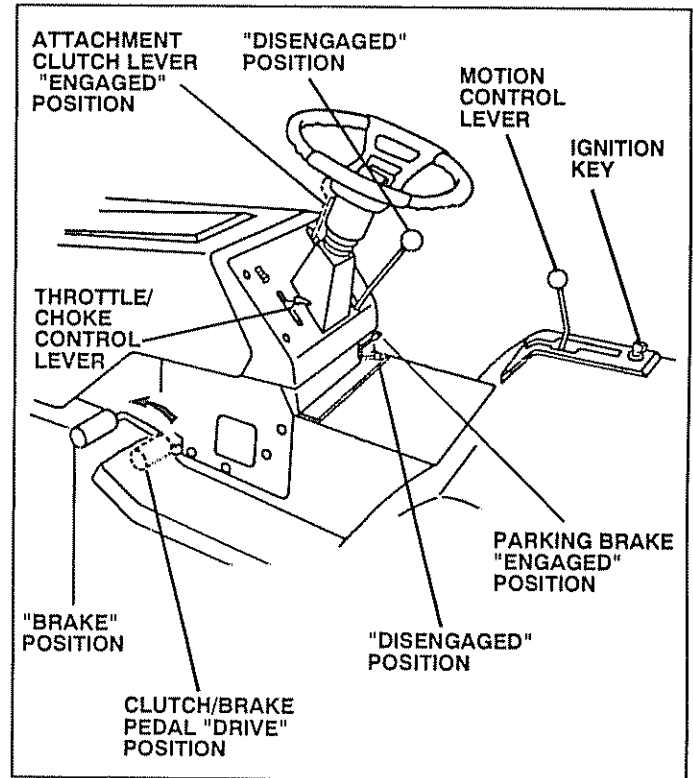


FIG. 7

TO ADJUST MOWER CUTTING HEIGHT (See Fig. 6)

The position of the attachment lift lever determines the cutting height

- Grasp lift lever.
- Press plunger with thumb and move lever to desired position.

The cutting height range is approximately 1-1/4" to 3-3/4". The heights are measured from the ground to the blade tip with the engine not running. These heights are approximate and may vary depending upon soil conditions, height of grass and types of grass being mowed.

- The average lawn should be cut approximately 2-1/2 inches during the cool season and over 3 inches during hot months. For healthier and better looking lawns, mow often and after moderate growth.
- For best cutting performance, grass over 6 inches in height should be mowed twice. Make the first cut relatively high; the second to desired height.

OPERATION

TO OPERATE MOWER (See Fig. 8)

Your unit is equipped with an operator presence sensing switch. Any attempt by the operator to leave the seat with the engine running and the attachment clutch engaged will shut off the engine.

- Select desired height of cut.
- Engage mower by slowly moving attachment clutch lever to "ENGAGED" position.
- TO STOP MOWER - Move attachment clutch lever to "DISENGAGED" position.



CAUTION: Do not operate the mower without either the entire grass catcher, on mowers so equipped, or the discharge guard in place.

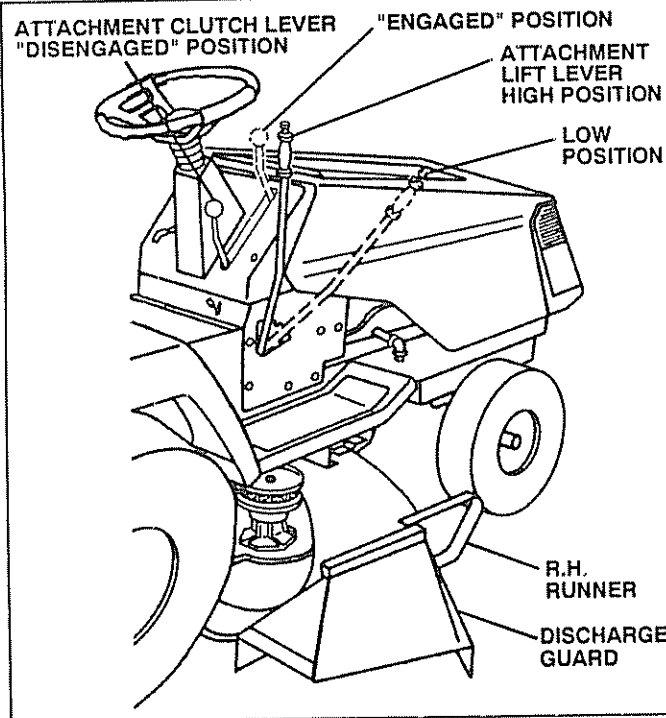


FIG. 8

TO OPERATE ON HILLS



CAUTION: Do not drive up or down hills with slopes greater than 15° and do not drive across any slope.

- Choose the slowest speed before starting up or down hills.
- Avoid stopping or changing speed on hills.
- If slowing is necessary, move throttle control lever to slower position.
- If stopping is absolutely necessary, push clutch/brake pedal quickly to brake position and engage parking brake.
- Move motion control lever to "NEUTRAL" position.

IMPORTANT: THE MOTION CONTROL LEVER DOES NOT RETURN TO "NEUTRAL" POSITION WHEN THE CLUTCH/BRAKE PEDAL IS DEPRESSED.

- To restart movement, slowly release parking brake and clutch/brake pedal.
- Slowly move motion control lever to slowest setting.
- Make all turns slowly.

TO TRANSPORT

- Raise attachment lift control to highest position.
- When pushing or towing your unit, be sure motion control lever is in "NEUTRAL" position.
- Pull freewheel control knob up to disengage transmission (See Fig. 6).
- Do not push or tow unit at more than five (5) MPH.

BEFORE STARTING THE ENGINE

CHECK ENGINE OIL LEVEL (See Fig. 16)

- The engine in your unit has been shipped, from the factory, already filled with summer weight oil.
- Check engine oil with unit on level ground.
- Remove oil fill dipstick and wipe clean, replace and screw cap tight, wait for a few seconds, remove and read oil level. If necessary, add oil until "FULL" mark on dipstick is reached. Do not overfill.
- For cold weather operation you should change oil for easier starting (see "OIL VISCOSITY CHART" in the Maintenance section of this manual).
- To change engine oil, see the Maintenance section in this manual.

ADD GASOLINE (See Fig. 16)

- Fill fuel tank. Use fresh, clean, regular unleaded gasoline. (Use of leaded gasoline will increase carbon and lead oxide deposits and reduce valve life).

IMPORTANT: WHEN OPERATING IN TEMPERATURES BELOW 32°F (0°C), USE FRESH, CLEAN WINTER GRADE GASOLINE TO HELP INSURE GOOD COLD WEATHER STARTING.

WARNING: Experience indicates that alcohol blended fuels (called gasohol or using ethanol or methanol) can attract moisture which leads to separation and formation of acids during storage. Acidic gas can damage the fuel system of an engine while in storage. To avoid engine problems, the fuel system should be emptied before storage of 30 days or longer. Drain the gas tank, start the engine and let it run until the fuel lines and carburetor are empty. Use fresh fuel next season. See Storage Instructions for additional information. Never use engine or carburetor cleaner products in the fuel tank or permanent damage may occur.



CAUTION: Fill to bottom of gas tank filler neck. Do not overfill. Wipe off any spilled oil or fuel. Do not store, spill or use gasoline near an open flame.

OPERATION

TO START ENGINE (See Fig. 7)

When starting engine for the first time or if engine has run out of fuel, it will take extra cranking time to move fuel from the tank to the engine.

- Depress the clutch/brake pedal and set the parking brake.
- Place motion control lever in "NEUTRAL" position.
- Move attachment clutch to "DISENGAGED" position.
- Move throttle control lever to "CHOKE" position for cold engine start. For warm engine start, move throttle control to "FAST" position.
- Turn ignition key clockwise to "START" position and release key as soon as engine starts. Do not run starter continuously for more than fifteen seconds per minute. If engine does not start after several attempts, move throttle control to "FAST" position, wait a few minutes and try again.
- When engine starts, slowly move throttle control lever to desired running speed.
- Allow engine to warm up for a few minutes before engaging motion control or attachment clutch.

NOTE: If at a high altitude (above 3000 feet) or in cold temperatures (below 32° F), the carburetor fuel mixture may need to be adjusted for best engine performance. See "TO ADJUST CARBURETOR" in the Service and Adjustments section of this manual.

MOWING TIPS

- Tire chains cannot be used when the mower housing is attached to unit.
- Mower should be properly leveled for best mowing performance. See "TO LEVEL MOWER HOUSING" in the Service and Adjustments section of this manual.
- Use the runner on the right hand side of mower as a guide. The blade cuts approximately an inch outside the runner (See Fig. 8).
- The left hand side of mower should be used for trimming.

- Drive so that clippings are discharged onto the area that has been cut. Have the cut area to the right of the machine. This will result in a more even distribution of clippings and more uniform cutting.
- When mowing large areas, start by turning to the right so that clippings will discharge away from shrubs, fences, driveways, etc. After one or two rounds, mow in the opposite direction making left hand turns until finished (See Fig. 9).

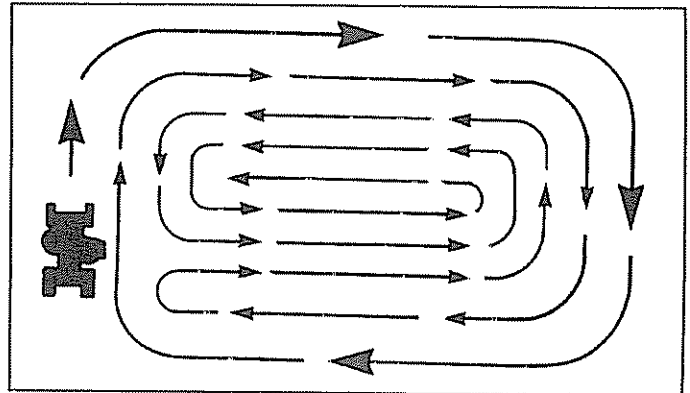


FIG. 9

- If grass is extremely tall, it should be mowed twice to reduce load and possible fire hazard from dried clippings. Make first cut relatively high; the second to the desired height.
- Do not mow grass when it is wet. Wet grass will plug mower and leave undesirable clumps. Allow grass to dry before mowing.
- Always operate engine at full throttle when mowing to assure better mowing performance and proper discharge of material. Regulate ground speed by selecting a low enough speed to give the mower cutting performance as well as the quality of cut desired.
- When operating attachments, select a ground speed that will suit the terrain and give best performance of the attachment being used.

MAINTENANCE

MAINTENANCE SCHEDULE		SERVICE INTERVALS							SERVICE DATES			
		BEFORE EACH USE	FIRST 2 HOURS	EVERY 2 HOURS	EVERY 8 HOURS	EVERY 25 HOURS	EVERY 50 HOURS	EVERY 100 HOURS			EVERY SEASON	BEFORE STORAGE
TRACTOR	Check Brake Operation	✓	✓									
	Check Tire Pressure	✓	✓									
	Check for Loose Fasteners	✓						✓				
	Sharpen/Replace Mower Blades				✓ ³							
	Lubricate Pivot Points				✓			✓				
	Check Battery Level/Recharge				✓							
	Clean Battery and Terminals				✓			✓				
	Check Pump Assembly Fluid Level				✓							
	Check Transmission Cooling				✓							
ENGINE	Check Engine Oil Level	✓										
	Change Engine Oil		✓	✓ ^{1,2}			✓					
	Clean Air Filter			✓ ²								
	Clean Air Screen			✓ ²								
	Inspect Muffler/Spark Arrester				✓							
	Clean Engine Cooling Fins					✓ ²						
	Replace Spark Plug					✓	✓					
	Replace Air Filter Paper Cartridge					✓ ²						
	Replace Fuel Filter						✓					

- 1 - Change more often when operating under a heavy load or in high ambient temperatures.
- 2 - Service more often when operating in dirty or dusty conditions
- 3 - Replace blades more often when mowing in sandy soil.

GENERAL RECOMMENDATIONS

The warranty on this vehicle does not cover items that have been subjected to operator abuse or negligence. To receive full value from the warranty, operator must maintain unit as instructed in this manual.

Some adjustments will need to be made periodically to properly maintain your unit.

All adjustments in the Service and Adjustments section of this manual should be checked at least once each season.

- Once a year you should replace the spark plug, clean or replace air filter, and check blades and belts for wear. A new spark plug and clean air filter assure proper air-fuel mixture and help your engine run better and last longer.

BEFORE EACH USE

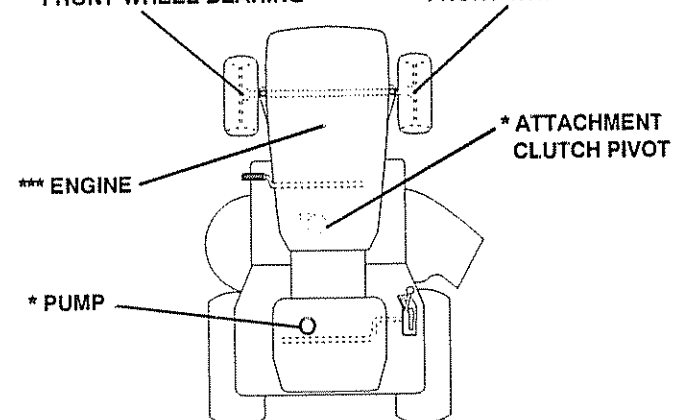
- Check engine oil level.
- Check brake operation.
- Check tire pressure.
- Check for loose fasteners.

LUBRICATION

Keep unit well lubricated (See "LUBRICATION CHART").

LUBRICATION CHART

** FRONT WHEEL BEARING ** FRONT WHEEL BEARING



- * SAE 10W30 MOTOR OIL API - SR/CC
- ** GENERAL PURPOSE GREASE
- *** REFER TO ENGINE MAINTENANCE SECTION

IMPORTANT - Do not oil or grease the pivot points which have special nylon bearings. Viscous lubricants will attract dust and dirt that will shorten the life of the self-lubricating bearings. If you feel they must be lubricated, use only a dry, powdered graphite type lubricant sparingly.

MAINTENANCE

TRACTOR

Always observe safety rules when performing any maintenance.

TIRES

- Maintain proper air pressure in all tires (See "PRODUCT SPECIFICATIONS" on page 3 of this manual).
- Keep tires free of gasoline, oil, or insect control chemicals which can harm rubber.
- Avoid stumps, stones, deep ruts, sharp objects and other hazards that may cause tire damage.

BLADE CARE

For best results mower blades must be kept sharp. The blades can be sharpened with a file or on a grinding wheel. We suggest they be sharpened or replaced after every 25 hours of mowing. Check blades more often if mowing in sandy conditions.

- Do not attempt to sharpen blades while they are on the mower.
- Replace bent or damaged blades

BLADE REMOVAL (See Fig. 10)

- Raise mower to highest position to allow access to blades.
- Remove hex bolt, lockwasher and flat washer securing blade.
- Install new or resharpened blade with trailing edge up towards deck as shown.
- Reassemble hex bolt, lockwasher and flat washer in exact order as shown.
- Tighten bolt securely (30-35 Ft. Lbs. torque).

IMPORTANT: BLADE BOLT IS GRADE 5 HEAT TREATED.

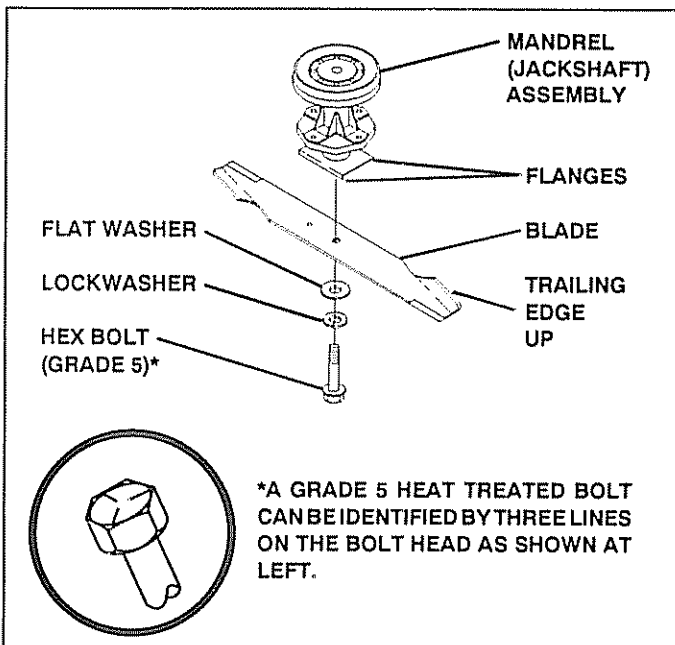


FIG. 10

TO SHARPEN BLADE (See Fig. 11)

Care should be taken to keep the blade balanced. An unbalanced blade will cause excessive vibration and eventual damage to mower and engine.

- The blade can be sharpened with a file or on a grinding wheel. Do not attempt to sharpen while on the mower.
- To check blade balance, drive a nail into a beam or wall. Leave about one inch of the straight nail exposed. Place center hole of blade over the head of the nail. If blade is balanced, it should remain in a horizontal position. If either end of the blade moves downward, sharpen the heavy end until the blade is balanced.

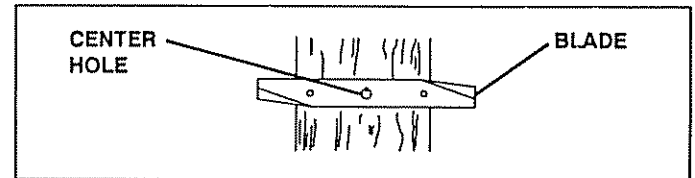


FIG. 11

BATTERY (See Fig. 12)

Your unit has a battery charging system which is sufficient for normal use. However, periodic charging of the battery with an automotive charger will extend its life.

- Acid solution level in each battery cell should be even with bottoms of vent wells. Add only distilled or iron-free water if necessary. Do not overfill.

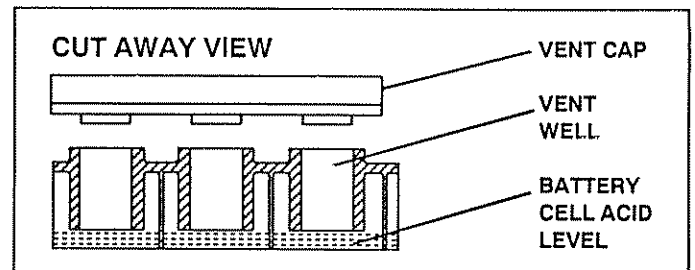


FIG. 12

- Keep battery and terminals clean.
- Keep battery bolts tight.
- Keep vent caps tight and small vent holes in caps open.
- Recharge at 6 amperes for 1 hour.

TO CLEAN BATTERY AND TERMINALS -

Corrosion and dirt on the battery and terminals can cause the battery to "leak" power.

- Remove terminal guard.
- Disconnect BLACK battery cable first then RED battery cable and remove battery from tractor.
- Wash battery with solution of four tablespoons of baking soda to one gallon of water. Be careful not to get the soda solution into the cells.
- Rinse the battery with plain water and dry.
- Clean terminals and battery cable ends with wire brush until bright.
- Coat terminals with grease or petroleum jelly.
- Reinstall battery (See "INSTALL BATTERY" in the Assembly section of this manual).

MAINTENANCE

TRANSAXLE PUMP FLUID LEVEL (See Figs. 13 & 14)

Check fluid level after every 25 hours of use. Rear drawbar must be removed to check fluid level.

- Remove the four (4) fasteners to remove the drawbar.
- Clean reservoir thoroughly before removing cap.
- Check for proper fluid level in reservoir (should be above the "OIL LEVEL COLD" line).
- If oil is needed, remove cap on reservoir (with a clockwise rotation), and fill to "OIL LEVEL COLD" line with SAE 10W30 oil.
- Replace cap securely (do not overtighten)
- Reassemble drawbar and tighten fasteners securely.

TRANSMISSION COOLING (See Fig. 14)

The fan and cooling fins of transmission should be kept clean to assure proper cooling.

Do not attempt to clean fan or transmission while engine is running or while the transmission is hot.

- Inspect cooling fan to be sure fan blades are intact and clean.
- Inspect cooling fins for dirt, grass clippings and other materials.
- Thoroughly clean the cooling fins with a cloth, brush, or compressed air.

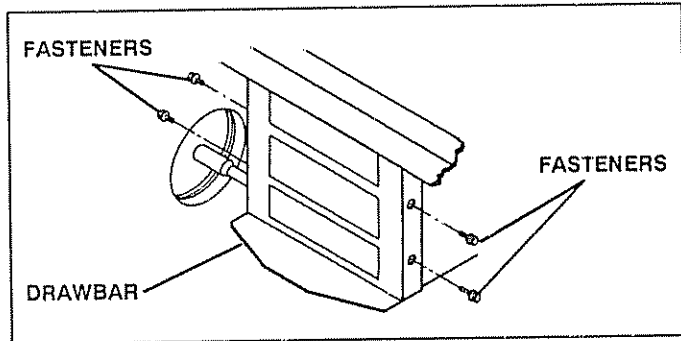


FIG. 13

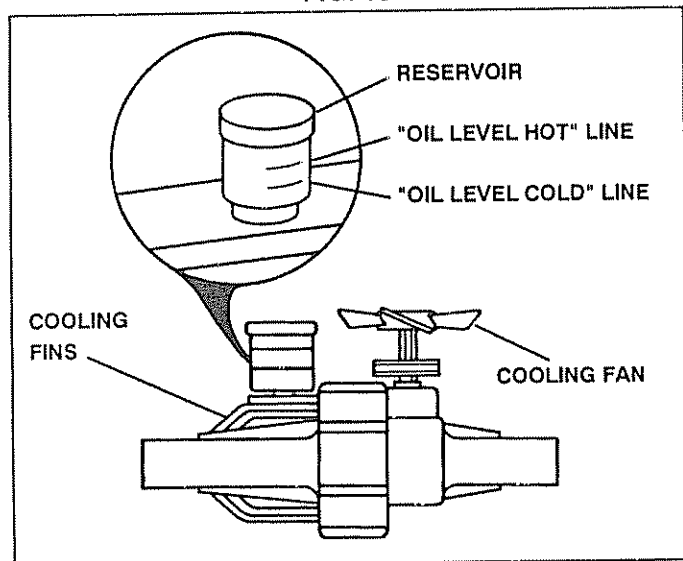


FIG. 14

ENGINE

LUBRICATION

Change the oil after the first two hours of operation and every 25 hours thereafter or at least once a year if the tractor is not used for 25 hours in one year.

Check the crankcase oil level before starting the engine and after each five (5) hours of continuous use. Add SAE 30W motor oil or equivalent. Tighten oil fill cap/dipstick securely each time you check the oil level. SAE 5W-30 motor oil may be used to make starting easier in areas where temperature is consistently 32° F or lower.

TO CHANGE ENGINE OIL (See Fig. 15) -

Determine temperature range expected before oil change. All oil must meet API service classification SD, SE or SF.

- Be sure vehicle is on level surface.
- Oil will drain more freely when warm.
- Catch oil in a suitable container.
- Remove oil fill dipstick. Be careful not to allow dirt to enter the engine when changing oil.
- Remove drain plug.
- After oil has drained completely, replace oil drain plug and tighten securely.
- Refill engine with oil through oil fill dipstick tube. Pour slowly. Do not overfill. For approximate capacity see "PRODUCT SPECIFICATIONS" on page 3 of this manual.
- Use gauge on oil fill dipstick for checking level. Be sure dipstick cap is tightened securely for accurate reading. Keep oil at "FULL" line on dipstick.

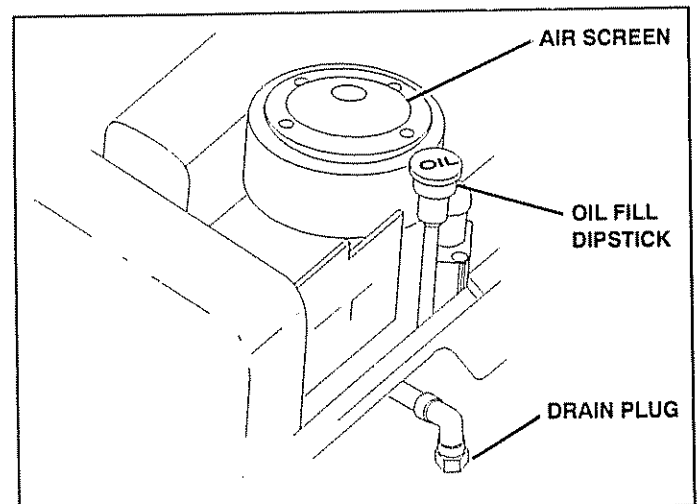
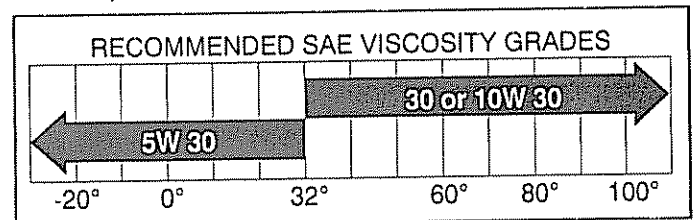


FIG. 15

MAINTENANCE

AIR FILTER (See Fig. 16)

Your engine will not run properly and may be damaged by using a dirty air filter. Replace paper cartridge once a year or after every 100 hours of operation, more often if tractor is used in very dusty, dirty conditions.

- Remove knob and cover.
- Remove cartridge nut and replace cartridge.
- Reassemble and tighten knob securely.

NOTE: Do not attempt to clean or oil the paper cartridge.

AIR SCREEN (See Fig. 15)

The engine air screen must be kept free of dirt and chaff to prevent engine damage from overheating. Clean with a wire brush or compressed air to remove dirt and stubborn dried gum fibers.

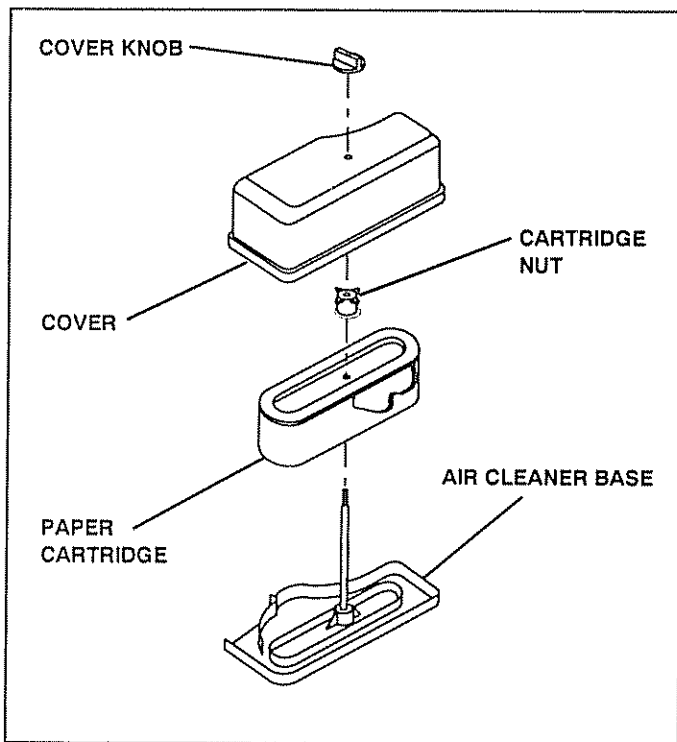


FIG. 16

ENGINE COOLING FINS (See Fig. 17)

Remove any dust, dirt or oil from engine cooling fins to prevent engine damage from overheating.

- Remove oil fill dipstick and cover opening to prevent entry of dirt.
- Remove screws from blower housing and lift housing off engine.
- Remove the screws securing the starter housing and lift housing off engine.
- Use compressed air or stiff bristle brush to thoroughly clean engine cooling fins.
- To reassemble, reverse above procedure.

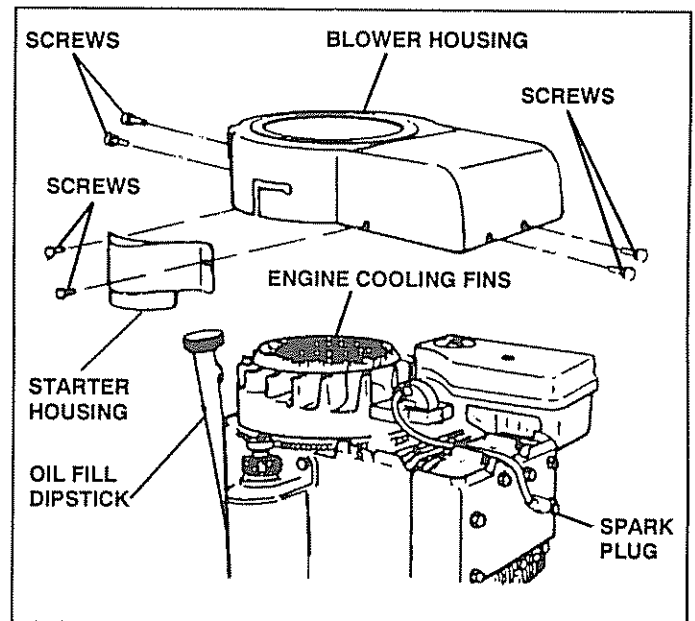


FIG. 17

MUFFLER

Inspect and replace corroded muffler and spark arrester (if equipped) as it could create a fire hazard and/or damage.

MAINTENANCE

SPARK PLUGS (See Fig. 17)

Replace spark plugs at the beginning of each mowing season or after every 100 hours of use, whichever comes first. Spark plug type and gap setting is shown in "PRODUCT SPECIFICATIONS" on page 3 of this manual.

IN-LINE FUEL FILTER (See Fig. 18)

Fuel filter should be replaced once each season. If fuel filter becomes clogged, obstructing fuel flow to carburetor, replacement is required.

- With engine cool, remove filter and plug fuel line sections.
- Place new fuel filter in position in fuel line.
- Be sure there are no fuel line leaks and clamps are properly positioned.
- Immediately wipe up any spilled gasoline.

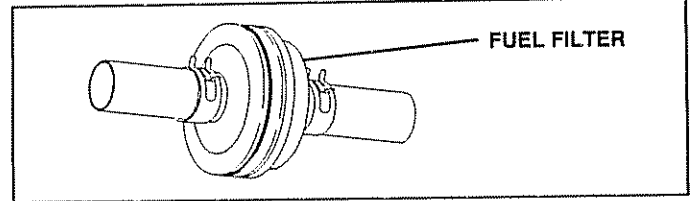


FIG. 18

CLEANING

- Clean engine, battery, seat, finish, etc. of all foreign matter.
- Keep finished surfaces and wheels free of all gasoline, oil, etc.
- Protect painted surfaces with automotive type wax.

We do not recommend using a garden hose to clean your unit unless the electrical system, muffler, air filter and carburetor are covered to keep water out. Water in engine can result in a shortened engine life.

SERVICE AND ADJUSTMENTS

CAUTION: BEFORE PERFORMING ANY SERVICE OR ADJUSTMENTS:



- Depress clutch/brake pedal fully and set parking brake.
- Place motion control lever in "NEUTRAL" position.
- Place attachment clutch in "DISENGAGED" position.
- Turn ignition key "OFF" and remove key.
- Make sure the blades and all moving parts have completely stopped.
- Disconnect spark plug wire from spark plug and place wire where it cannot come in contact with plug.

TRACTOR

TO REMOVE MOWER (See Fig. 19)

Mower will be easier to remove from the right side of unit.

- Remove mower blade drive belt from engine pulley only (See "TO REPLACE MOWER BLADE DRIVE BELT" through step removing belt from engine pulley).
- Remove retainer spring from clutch rod; pull clutch rod out of clutch lever.
- Pull retainer springs out of rear suspension trunnions. Remove rear suspension trunnions from lift brackets.
- Pull retainer springs from front hinge pins.
- Remove hinge pins attaching parallel link to mower and front axle.
- Raise lift lever to raise suspension arms. Slide mower out from under tractor.

IMPORTANT: IF AN ATTACHMENT OTHER THAN THE MOWER IS TO BE MOUNTED TO THE TRACTOR, THE R.H. AND L.H. SUSPENSION ARMS MUST BE REMOVED FROM TRACTOR.

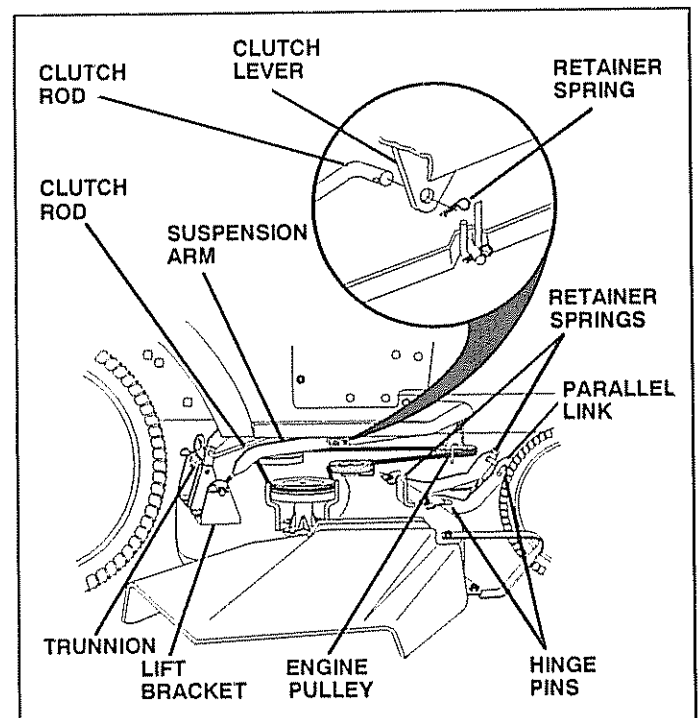


FIG. 19

SERVICE AND ADJUSTMENTS

TO INSTALL MOWER (See Fig. 19)

- Raise attachment lift lever to its highest position.
- Slide mower under tractor with discharge guard to right side of tractor.
- Install parallel link to front axle and mower with hinge pins. Secure hinge pins with retainer springs.
- Install clutch rod in clutch lever and secure with retainer spring.
- Lower attachment lift lever to lower suspension arms. Slide trunnions through lift bracket holes and secure with retainer springs.
- Roll belt over engine pulley. Make sure belt is inside all pulley grooves and inside belt guides.
- Raise attachment lift lever to raise mower.

TO LEVEL MOWER HOUSING

Adjust the mower while tractor is parked on level ground or driveway. Make sure tires are properly inflated (See "PRODUCT SPECIFICATIONS" on page 3). If tires are over or under inflated, you will not properly adjust your mower.

SIDE-TO-SIDE ADJUSTMENT (See Figs. 20 and 21) -

- Raise attachment lift lever to its highest position.
- Measure height from bottom of deck curl to ground level at front corners of mower. Distance "A" should be the same.
- If distance "A" needs to be changed, snap out access hole cover on left side of tractor above footrest.
- To raise left side of mower, loosen nut "B" and tighten nut "C".
- To lower left side of mower, loosen nut "C" and tighten nut "B".
- When distance "A" is equal, securely tighten nuts "B" and "C".
- Replace access hole cover.

FRONT-TO-BACK ADJUSTMENT (See Figs. 22 and 23) -

To obtain the best cutting results, the mower housing should be adjusted so the rear is approximately $\frac{3}{4}$ to $\frac{7}{8}$ " higher than the front when the mower is in its highest position.

Check adjustment on right side of tractor. Measure distance "D" at front and rear flanges of mower housing as shown.

- To raise rear of mower, loosen nut "E" on both rear suspension arms. Screw both nuts "F" on both rear suspension arms an equal number of turns.
- When distance "D" is $\frac{3}{4}$ to $\frac{7}{8}$ " higher at rear than front, retighten nuts "E".
- Recheck side-to-side adjustment.

IMPORTANT: WHEN ADJUSTING REAR SUSPENSION TRUNNIONS, ALWAYS ADJUST BOTH EQUALLY SO MOWER WILL STAY LEVEL SIDE-TO-SIDE.

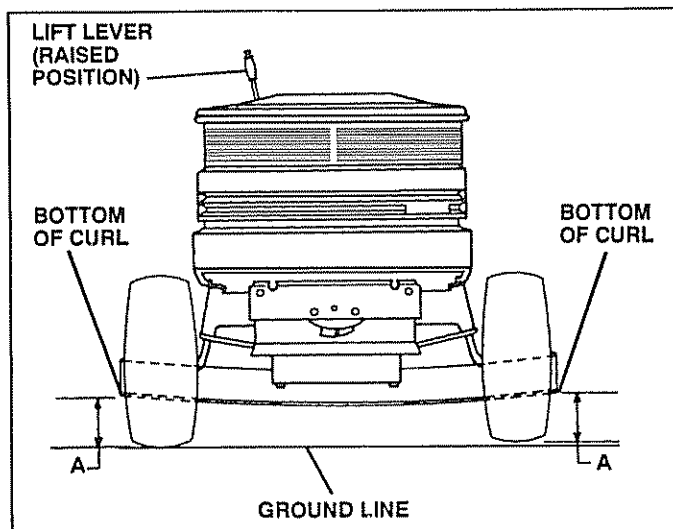


FIG. 20

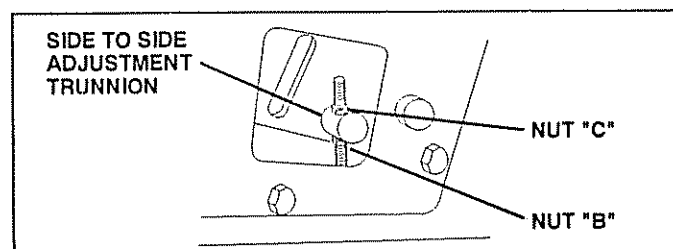


FIG. 21

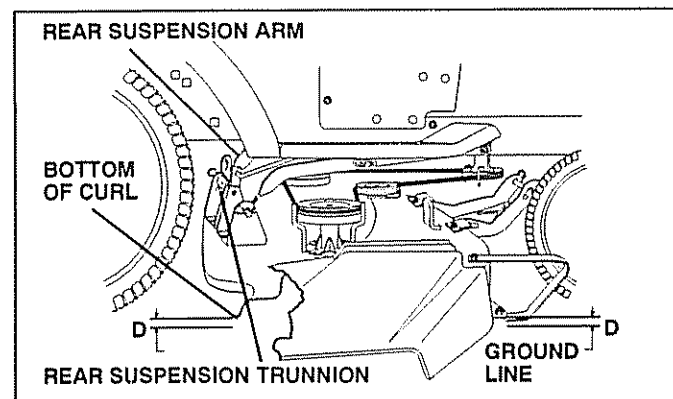


FIG. 22

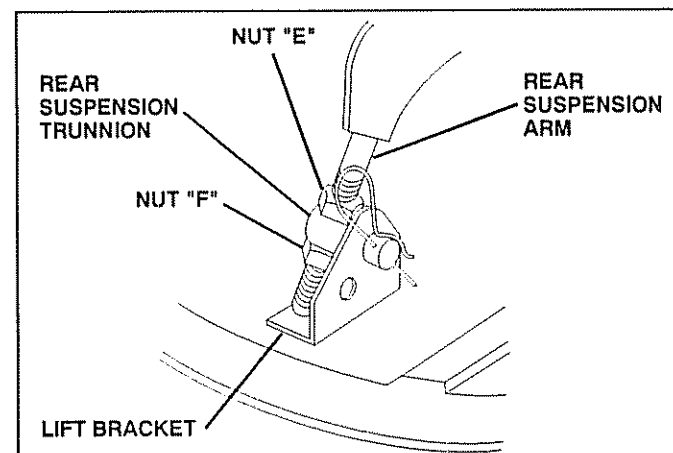


FIG. 23

SERVICE AND ADJUSTMENTS

TO ADJUST MOWER BLADE DRIVE BELT (See Fig. 24)

Your tractor has been manufactured with the ability to readjust the mower blade drive belt to provide you with longer belt life.

With the engine off and the lift lever in the highest position, move clutch lever up slowly until resistance is felt. If distance from bottom of slot in dash to lift lever is greater than 4-1/2 inches, adjustment is necessary.

- Lower the mower deck for easier access.
- Remove the bolt, nut and D-shaped washers from rock shaft assembly.
- Move extension spring from lower to upper end of slot in rock shaft assembly and install bolt, nut and the D-shaped washers (flat side of washers down).
- Tighten bolt and nut to secure the D-shaped washers (flat side down as shown).

TO REPLACE MOWER BLADE DRIVE BELT (See Figs. 24 and 25)

The mower blade drive belt may be replaced without tools. Park the tractor on level surface. Engage parking brake. For assistance, there is a belt installation guide decal on the mower housing.

BELT REMOVAL -

- Place attachment clutch in "DISENGAGED" position.
- Move attachment lift lever forward to lower mower to its lowest position.
- Roll belt off engine pulley.
- Pull belt off both mandrel pulleys.
- Spring belt guide away from idler pulley and pull belt off idler pulley.
- Slide belt from under extension spring.

BELT INSTALLATION -

- Slide belt under extension spring.
- Place belt around back side and in groove of both mandrel pulleys.
- Spring idler belt guide down and place belt around rear side of idler pulley.
- Roll belt over engine pulley.
- Make sure belt is in all pulley grooves and inside all belt guides.

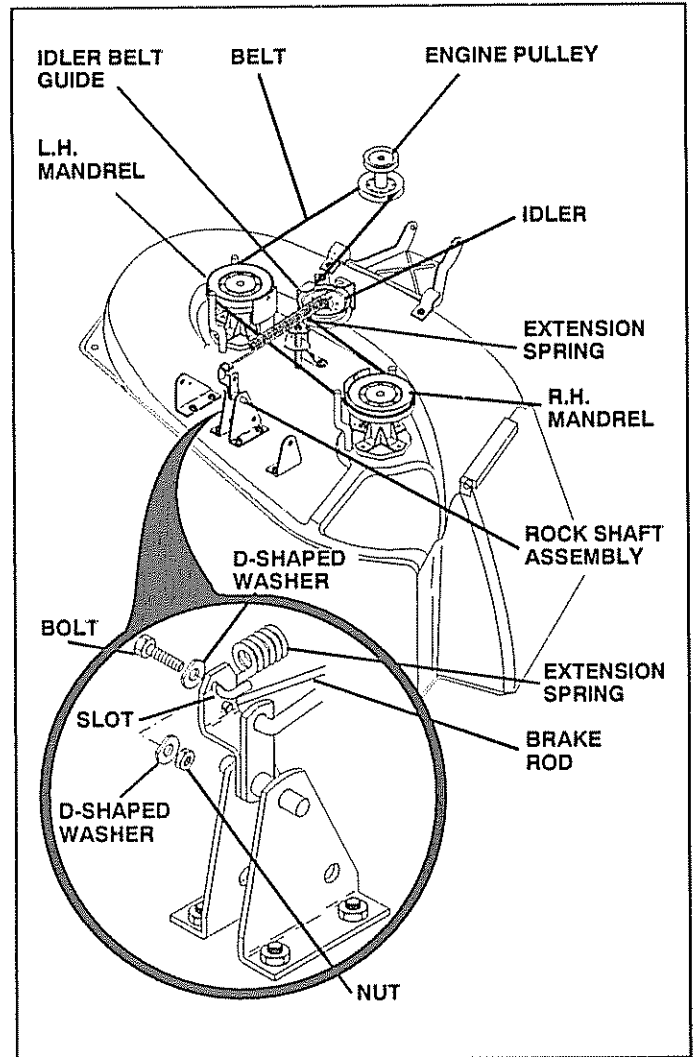


FIG. 24

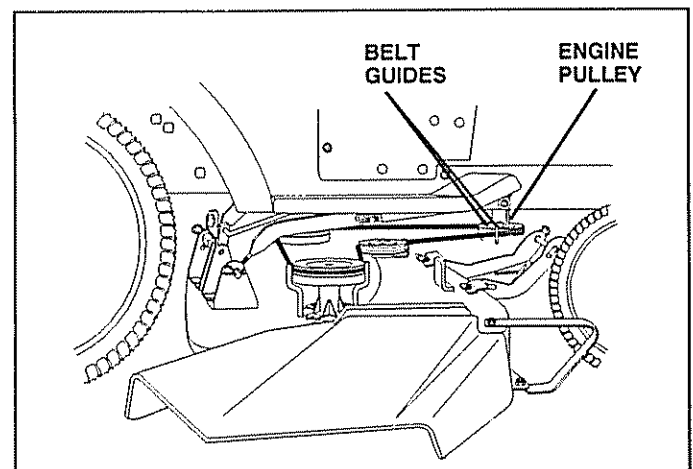


FIG. 25

SERVICE AND ADJUSTMENTS

TO ADJUST BRAKE (See Fig. 26)

Your unit is equipped with an adjustable brake system which is mounted on the right side of the transaxle.

If unit requires more than six (6) feet stopping distance at high speed in highest gear, then brake must be adjusted.

- Depress clutch/brake pedal and engage parking brake.
- Measure distance between brake operating arm and nut "A" on brake rod.
- If distance is other than 1-1/2", disengage parking brake, loosen jam nut and turn nut "A" until distance becomes 1-1/2". Retighten jam nut against nut "A".
- Engage parking brake and recheck distance.
- Road test unit for proper stopping distance as stated above. Readjust if necessary. If stopping distance is still greater than six (6) feet in highest gear, further maintenance is necessary. Contact your nearest Sears Service Center.

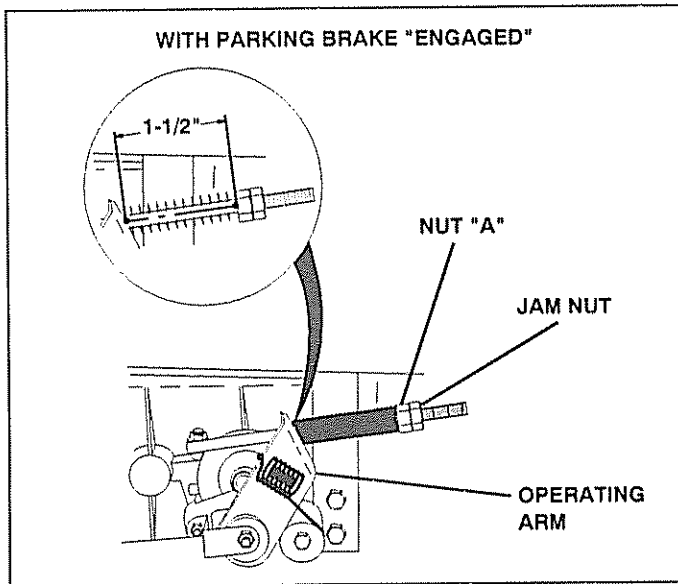


FIG. 26

TO REPLACE MOTION DRIVE BELT (See Figs. 27 and 28)

Park the tractor on level surface. Engage parking brake. For ease of service, remove rear drawbar from chassis and belt keeper from transmission input pulley. For assistance, there is a belt installation guide decal on bottom side of left footrest.

- Remove mower (See "TO REMOVE MOWER" in this section of this manual).
- Remove belt from stationary idler and clutching pulley.
- Remove belt downwards from upper sheave of engine pulley.
- Remove belt carefully upwards from transmission input pulley and over cooling fan blades.
- Remove belt downwards from lower sheave of engine pulley.
- Install new belt by reversing above procedure.

IMPORTANT: REPLACE ONLY WITH BELT LISTED IN THIS MANUAL

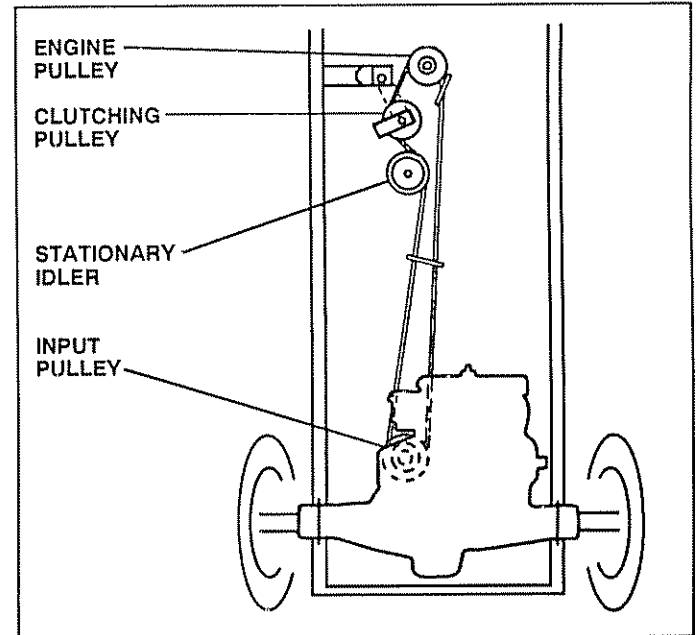


FIG. 27

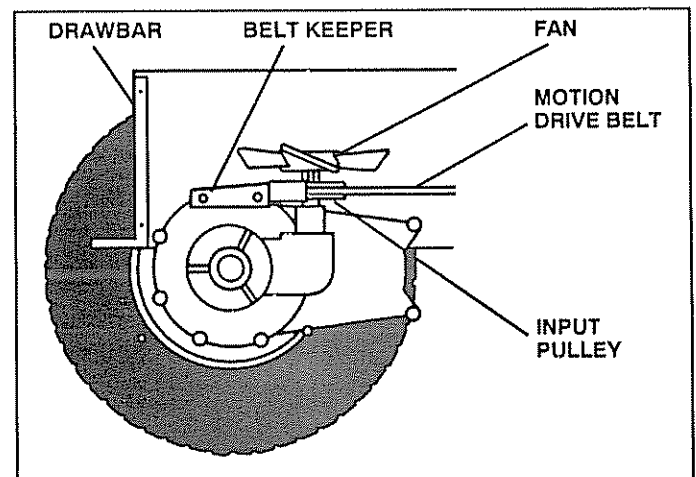


FIG. 28

SERVICE AND ADJUSTMENTS

TO ADJUST MOTION CONTROL LEVER (See Fig. 29)

"NEUTRAL" position of the motion control lever has been preset at the factory and adjustment should not be necessary.

If your unit tends to "creep" when the motion control lever is in "NEUTRAL" position, adjust the neutral lever position as follows:

FORWARD ADJUSTMENT-

- Drive unit forward on a level surface.
- Move motion control lever to the left and back until it stops against forward adjustment plate and release lever.
- If unit "creeps" forward or backward, turn engine off and set parking brake.
- From underside of fender, loosen the two (2) bolts securing forward adjustment plate and move plate 1/16" opposite the direction the unit "creeps":
 - Forward "creep", move plate backwards 1/16 inch.
 - Reverse "creep", move plate forward 1/16 inch.
- Retighten bolts securely.
- Repeat forward drive test and, if necessary, readjust until "creep" is eliminated.

REVERSE ADJUSTMENT-

- Drive unit in reverse on a level surface.
- Move motion control lever to the right and forward until it stops against reverse adjustment plate and release lever.
- If unit "creeps" forward or backward, turn engine off and set parking brake.
- Loosen and move reverse adjustment plate in the same manner as forward adjustment plate described above:
 - Forward "creep", move plate backwards 1/16 inch.
 - Reverse "creep", move plate forward 1/16 inch.
- Retighten bolts securely.
- Repeat reverse drive test and, if necessary, readjust until "creep" is eliminated.

If "creep" cannot be eliminated by the above adjustments, contact your nearest Sears Service Center.

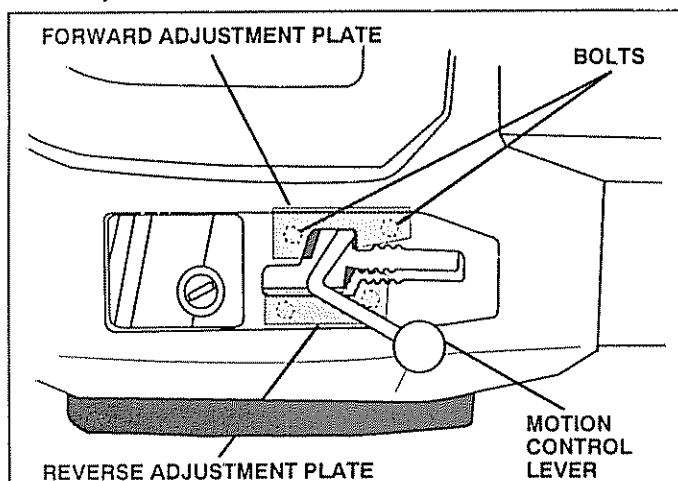


FIG. 29

TO ADJUST STEERING WHEEL ALIGNMENT

If steering wheel crossbars are not horizontal (left to right) when wheels are positioned straight forward, remove steering wheel and reassemble per instructions in the Assembly section of this manual.

FRONT WHEEL TOE-IN/CAMBER

The front wheel toe-in and camber are not adjustable on your unit. If damage has occurred to affect the front wheel toe-in or camber, contact your nearest Sears Service Center.

TO REMOVE WHEEL FOR REPAIRS (See Fig. 30)

- Block up axle securely.
- Remove hub cap, retaining ring and washers to allow wheel removal (rear wheel contains a square key - Do not lose).
- Repair tire and reassemble.
- On rear wheels only: align grooves in rear wheel hub and axle. Insert square key.
- Replace washers and snap retaining ring securely in axle groove.
- Replace hub cap.

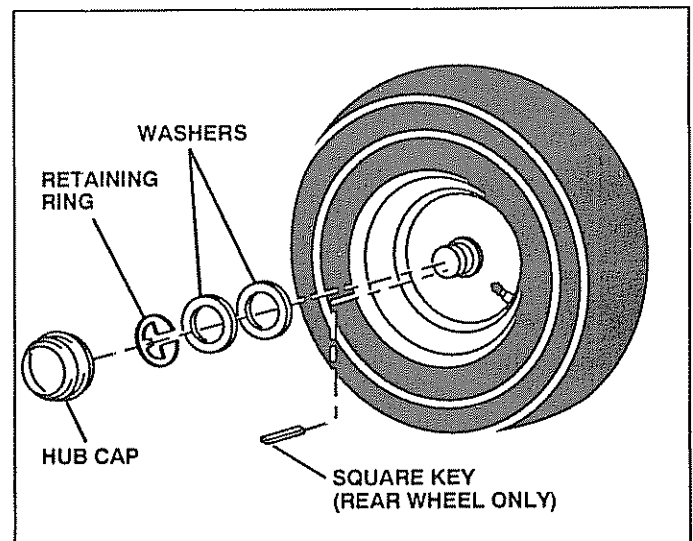


FIG. 30

SERVICE AND ADJUSTMENTS

TO START ENGINE WITH A WEAK BATTERY (See Figs. 31 & 32)



CAUTION: Lead-acid batteries generate explosive gases. Keep sparks, flame and smoking materials away from batteries. Always wear eye protection when around batteries.

If your battery is too weak to start the engine, it should be recharged. If "jumper cables" are used for emergency starting, follow this procedure:

IMPORTANT: YOUR UNIT IS EQUIPPED WITH A 12 VOLT NEGATIVE GROUNDED SYSTEM. THE OTHER VEHICLE MUST ALSO BE A 12 VOLT NEGATIVE GROUNDED SYSTEM. DO NOT USE YOUR TRACTOR BATTERY TO START OTHER VEHICLES.

TO ATTACH JUMPER CABLES -

- Connect each end of the RED cable to the POSITIVE (+) terminal of each battery, taking care not to short against chassis.
- Connect one end of the BLACK cable to the NEGATIVE (-) terminal of fully charged battery.
- Connect the other end of the BLACK cable to a panel bolt on the left side of the chassis, away from fuel tank and battery.

TO REMOVE CABLES, REVERSE ORDER -

- BLACK cable first from left side of chassis and fully charged battery.
- RED cable last from both batteries.

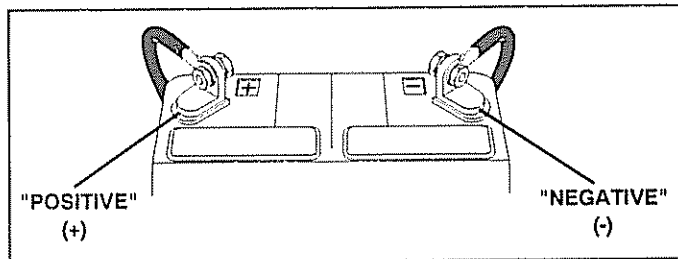


FIG. 31

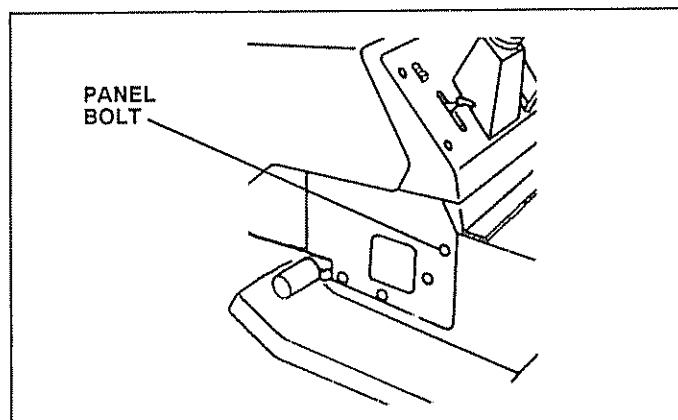


FIG. 32

TO REPLACE FUSE (See Fig. 33)

Replace with 30 amp automotive-type plug-in fuse. The fuse holder is located in the engine compartment, directly in front of the heat shield.

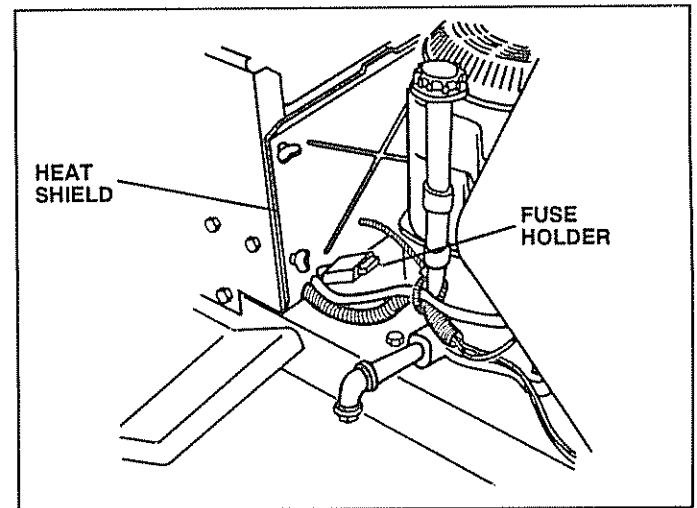


FIG 33

TO REPLACE HEADLIGHT BULB

- Raise hood.
- Pull bulb holder out of the hole in the backside of the grill.
- Replace bulb in holder and push bulb holder securely back into the hole in the backside of the grill.
- Close hood.

INTERLOCKS AND RELAYS

Loose or damaged wiring may cause your unit to run poorly, stop running, or prevent it from starting.

- Check wiring. See electrical wiring diagram in the Repair Parts section of this manual.

SERVICE AND ADJUSTMENTS

TO REMOVE HOOD AND GRILL ASSEMBLY (See Figs. 34 and 35)

- Raise hood.
- Unsnap headlight wire connector.
- Carefully remove springs from hinge brackets.
- Stand at side of tractor. Grasp hood, tilt forward and lift off hinge brackets.
- To reinstall, slide hood pivot rod into slot in hinge brackets, and carefully reinstall hood springs.

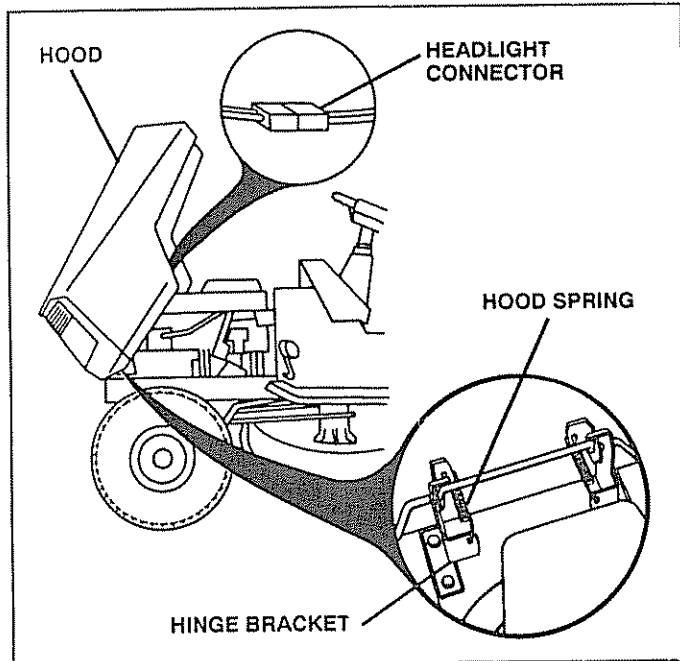


FIG. 34

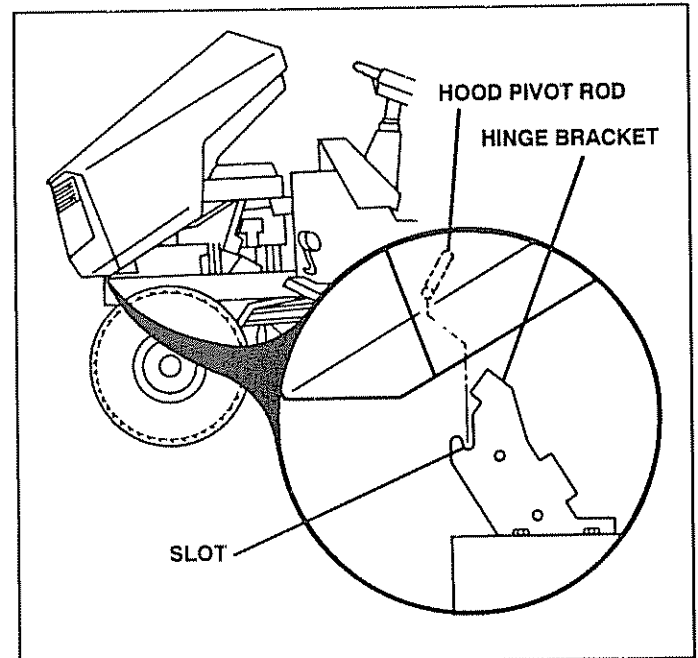


FIG. 35

SERVICE AND ADJUSTMENTS

ENGINE

TO ADJUST THROTTLE CONTROL CABLE (See Fig. 36)

The throttle control has been preset at the factory and adjustment should not be necessary. Check adjustment as described below before loosening cable. If adjustment is necessary, proceed as follows:

- With engine not running, move throttle control lever from "SLOW" to "CHOKE" position. Slowly move lever from "CHOKE" to "FAST" position.
- Check that hole in governor control lever and hole in governor plate line-up. If holes "A" are not aligned, loosen clamp screw and move throttle cable until holes are aligned. Tighten clamp screw securely.

TO ADJUST CARBURETOR (See Fig. 36)

The carburetor has been preset at the factory and adjustment should not be necessary. However, minor adjustment may be required to compensate for differences in fuel, temperature, altitude or load. If the carburetor does need adjustment, proceed as follows:

In general, turning the mixture screws **in** (clockwise) decreases the supply of fuel to the engine giving a leaner fuel/air mixture. Turning the mixture screws **out** (counterclockwise) increases the supply of fuel to the engine giving a richer fuel/air mixture.

IMPORTANT: DAMAGE TO THE NEEDLES AND THE SEATS IN CARBURETOR MAY RESULT IF SCREWS ARE TURNED IN TOO TIGHT.

PRELIMINARY SETTING -

- Air cleaner assembly must be assembled to the carburetor when making carburetor adjustments.
- Be sure the throttle control cable is adjusted properly (see above).
- With engine off turn high speed mixture screw **in** (clockwise) closing it finger tight and then turn **out** (counterclockwise) 1-1/4 to 1-1/2 turns.
- Turn idle mixture screw **in** (clockwise) closing finger tight and then turn **out** (counterclockwise) 1 turn.

FINAL SETTING -

- Start engine and allow to warm for five minutes. Make final adjustments with engine running and shift/motion control lever in "NEUTRAL" position.
- With throttle control lever in "FAST" position, turn high speed mixture screw **in** (clockwise) until engine begins to die then turn **out** (counterclockwise) until engine runs rough. Turn screw to a point midway between those two positions.
- With throttle control lever in "SLOW" position, turn idle mixture screw **in** (clockwise) until engine begins to die and then turn **out** (counterclockwise) until engine runs rough. Turn screw to a point midway between those two positions.

GOVERNED IDLE -

- Move throttle control lever to "SLOW" position. With finger, hold throttle shaft in closed position against throttle stop (counterclockwise). Turn idle speed screw to attain 1550 RPM. Release throttle shaft. Move throttle control lever to attain 1750 RPM. Turn governor idle screw until it contacts governor control lever.

ACCELERATION TEST -

- Move throttle control lever from "SLOW" to "FAST" position. If engine hesitates or dies, turn idle mixture screw **out** (counterclockwise) 1/8 turn. Repeat test and continue to adjust, if necessary, until engine accelerates smoothly.

High speed stop is factory adjusted. Do not adjust - damage may result.

IMPORTANT: NEVER TAMPER WITH THE ENGINE GOVERNOR, WHICH IS FACTORY SET FOR PROPER ENGINE SPEED. OVERSPEEDING THE ENGINE ABOVE THE FACTORY HIGH SPEED SETTING CAN BE DANGEROUS. IF YOU THINK THE ENGINE-GOVERNED HIGH SPEED NEEDS ADJUSTING, CONTACT YOUR NEAREST AUTHORIZED SERVICE CENTER, WHICH HAS PROPER EQUIPMENT AND EXPERIENCE TO MAKE ANY NECESSARY ADJUSTMENTS.

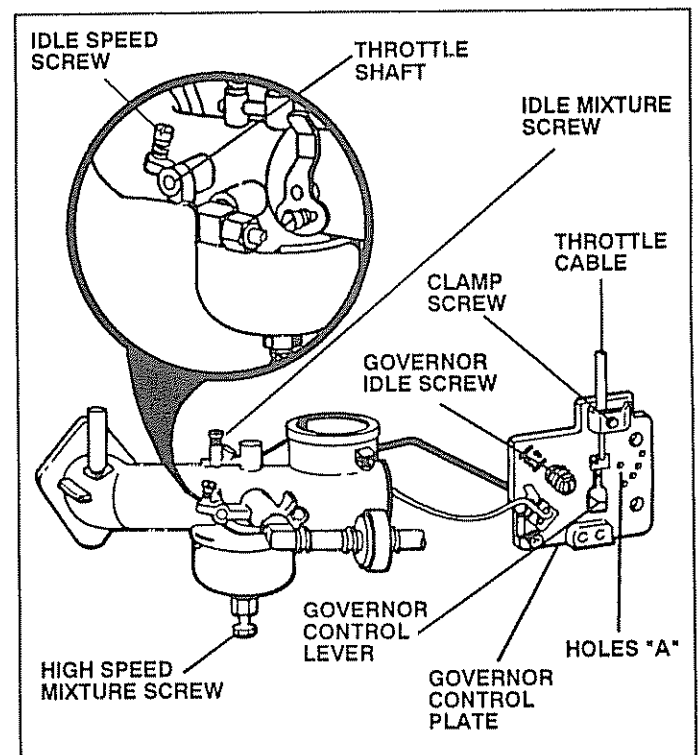


FIG. 36

STORAGE

Immediately prepare your tractor for storage at the end of the season or if the unit will not be used for 30 days or more.



CAUTION: Never store the tractor with gasoline in the tank inside a building where fumes may reach an open flame or spark. Allow the engine to cool before storing in any enclosure.

TRACTOR

Remove mower from tractor for winter storage. When mower is to be stored for a period of time, clean it thoroughly, remove all dirt, grease, leaves, etc. Give blades and underside of housing a good coat of grease or rust preventative. Store in a clean, dry area.

- Clean entire tractor (See "CLEANING" in the Maintenance section of this manual).
- Inspect and replace belts, if necessary (See belt replacement instructions in the Service and Adjustments section of this manual).
- Lubricate as shown in the Maintenance section of this manual.
- Be sure that all nuts, bolts and screws are securely fastened. Inspect moving parts for damage, breakage and wear. Replace if necessary.
- Touch up all rusted or chipped paint surfaces; sand lightly before painting.

BATTERY

- Fully charge the battery for storage.
- After a period of time in storage, battery may require recharging.
- To help prevent corrosion and power leakage during long periods of storage, battery cables should be disconnected and battery cleaned thoroughly (see "TO CLEAN BATTERY AND TERMINALS" in the Maintenance section of this manual).
- After cleaning, leave cables disconnected and place cables where they cannot come in contact with battery terminals.
- Be sure battery drain tube is securely attached to drain in battery tray.

ENGINE FUEL SYSTEM

IMPORTANT: IT IS IMPORTANT TO PREVENT GUM DEPOSITS FROM FORMING IN ESSENTIAL FUEL SYSTEM PARTS SUCH AS CARBURETOR, FUEL FILTER, FUEL HOSE, OR TANK DURING STORAGE. ALSO, EXPERIENCE INDICATES THAT ALCOHOL BLENDED FUELS (CALLED GASOHOL OR USING ETHANOL OR METHANOL) CAN ATTRACT MOISTURE WHICH LEADS TO SEPARATION AND FORMATION OF ACIDS DURING STORAGE. ACIDIC GAS CAN DAMAGE THE FUEL SYSTEM OF AN ENGINE WHILE IN STORAGE.

- Drain the fuel tank.
- Start the engine and let it run until the fuel lines and carburetor are empty.
- Never use engine or carburetor cleaner products in the fuel tank or permanent damage may occur.
- Use fresh fuel next season.

NOTE: Fuel stabilizer is an acceptable alternative in minimizing the formation of fuel gum deposits during storage. Add stabilizer to gasoline in fuel tank or storage container. Always follow the mix ratio found on stabilizer container. Run engine at least 10 minutes after adding stabilizer to allow the stabilizer to reach the carburetor. Do not drain the gas tank and carburetor if using fuel stabilizer.

ENGINE OIL

Drain oil (with engine warm) and replace with clean engine oil. (See "ENGINE" in the Maintenance section of this manual).

CYLINDERS

- Remove spark plug(s).
- Pour one ounce of oil through spark plug hole(s) into cylinder(s).
- Turn ignition key to "START" position for a few seconds to distribute oil.
- Replace with new spark plug(s).

OTHER

- Do not store gasoline from one season to another.
- Replace your gasoline can if your can starts to rust. Rust and/or dirt in your gasoline will cause problems.
- If possible, store your unit indoors and cover it to give protection from dust and dirt.
- Cover your unit with a suitable protective cover that does not retain moisture. Do not use plastic. Plastic cannot breathe which allows condensation to form and will cause your unit to rust.

IMPORTANT: NEVER COVER TRACTOR WHILE ENGINE AND EXHAUST ARE STILL WARM.

TROUBLESHOOTING POINTS

PROBLEM	CAUSE	CORRECTION
Will not start	<ol style="list-style-type: none"> 1. Out of fuel. 2. Engine not "CHOKED" properly 3. Engine flooded. 4. Bad spark plug. 5. Dirty air filter. 6. Dirty fuel filter. 7. Water in fuel 8. Loose or damaged wiring 9. Carburetor out of adjustment 10. Engine valves out of adjustment. 	<ol style="list-style-type: none"> 1. Fill fuel tank. 2. See TO START ENGINE in operation section. 3. Wait several minutes before attempting to start 4. Replace spark plug 5. Clean/replace air filter 6. Replace fuel filter. 7. Drain fuel tank and carburetor, refill tank with fresh gasoline and replace fuel filter 8. Check all wiring. 9. Contact Sears Service Department 10. Contact Sears Service Department
Hard to start	<ol style="list-style-type: none"> 1. Dirty air filter. 2. Bad spark plug 3. Weak or dead battery 4. Dirty fuel filter. 5. Stale or dirty fuel. 6. Loose or damaged wiring 7. Carburetor out of adjustment 8. Engine valves out of adjustment 	<ol style="list-style-type: none"> 1. Clean/replace air filter 2. Replace spark plug 3. Recharge or replace battery 4. Replace fuel filter. 5. Drain fuel tank and refill with fresh gasoline. 6. Check all wiring 7. Contact Sears Service Department 8. Contact Sears Service Department
Engine will not turn over	<ol style="list-style-type: none"> 1. Clutch/brake pedal not depressed. 2. Attachment clutch is engaged. 3. Spark plug wire is disconnected 4. Weak or dead battery 5. Blown fuse 6. Corroded battery terminals 7. Loose or damaged wiring 8. Faulty ignition switch 9. Faulty solenoid or starter. 10. Faulty operator presence switch(es) 	<ol style="list-style-type: none"> 1. Depress Clutch/brake pedal. 2. Disengage attachment clutch 3. Connect wire to spark plug 4. Recharge or replace battery 5. Replace fuse. 6. Clean battery terminals 7. Check all wiring 8. Check/replace Ignition switch 9. Check/replace solenoid or starter. 10. Contact Sears Service Department
Engine clicks but will not start	<ol style="list-style-type: none"> 1. Weak or dead battery 2. Corroded battery terminals 3. Loose or damaged wiring 4. Faulty solenoid or starter. 	<ol style="list-style-type: none"> 1. Recharge or replace battery. 2. Clean battery terminals 3. Check all wiring 4. Check/replace solenoid or starter
Loss of power	<ol style="list-style-type: none"> 1. Cutting too much grass/too fast 2. Throttle in "CHOKE" position. 3. Build-up of grass, leaves and trash under mower 4. Dirty air filter. 5. Low oil level/dirty oil 6. Faulty spark plug 7. Dirty fuel filter 8. Stale or dirty fuel 9. Water in fuel. 10. Spark plug wire loose 11. Dirty engine air screen/fins 12. Dirty/clogged muffler. 13. Loose or damaged wiring 14. Carburetor out of adjustment 15. Engine valves out of adjustment 	<ol style="list-style-type: none"> 1. Set in "Higher Cut" position/reduce speed. 2. Adjust throttle control 3. Clean underside of mower housing 4. Clean/replace air filter. 5. Check oil level/change oil 6. Clean and regap or change spark plug 7. Replace fuel filter 8. Drain fuel tank and refill with fresh gasoline 9. Drain fuel tank and carburetor, refill tank with fresh gasoline and replace fuel filter. 10. Connect and tighten spark plug wire. 11. Clean engine air screen/fins 12. Clean/replace muffler. 13. Check all wiring. 14. Contact Sears Service Department. 15. Contact Sears Service Department
Excessive vibration	<ol style="list-style-type: none"> 1. Worn, bent or loose blade 2. Bent blade mandrel 3. Loose/damaged part(s) 	<ol style="list-style-type: none"> 1. Replace blade Tighten blade bolt 2. Replace blade mandrel 3. Tighten loose part(s) Replace damaged parts.

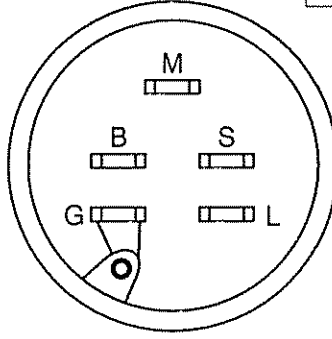
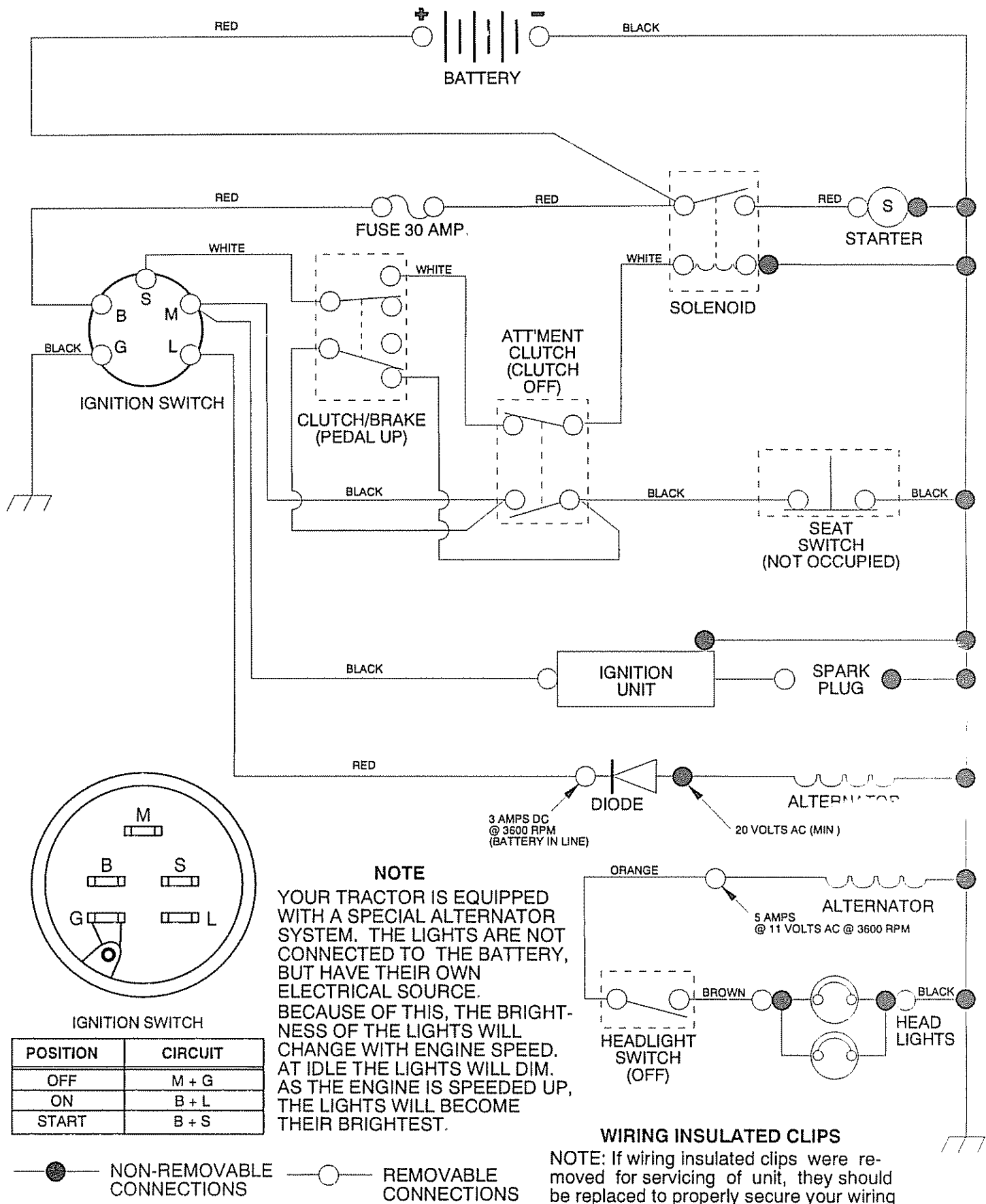
TROUBLESHOOTING POINTS

PROBLEM	CAUSE	CORRECTION
Engine continues to run when operator leaves seat with attachment clutch engaged	<ol style="list-style-type: none"> 1. Faulty operator-safety presence control system 	<ol style="list-style-type: none"> 1. Check wiring, switches and connections. If not corrected, contact Sears Service Department.
Poor cut - uneven	<ol style="list-style-type: none"> 1. Worn, bent or loose blade. 2. Mower deck not level 3. Build-up of grass, leaves, and trash under mower. 4. Bent blade mandrel 	<ol style="list-style-type: none"> 1. Replace blade. Tighten blade bolt. 2. Level mower deck. 3. Clean underside of mower housing. 4. Replace blade mandrel.
Mower blades will not rotate	<ol style="list-style-type: none"> 1. Obstruction in clutch mechanism. 2. Mower drive belt out of adjustment. 3. Worn/damaged mower drive belt. 4. Frozen idler pulley. 5. Frozen blade mandrel 	<ol style="list-style-type: none"> 1. Remove obstruction. 2. Adjust mower drive belt. 3. Replace mower drive belt. 4. Replace idler pulley. 5. Replace blade mandrel.
Poor grass discharge	<ol style="list-style-type: none"> 1. Engine speed too slow 2. Travel speed too fast 3. Wet grass. 4. Mower deck not level. 5. Low/uneven tire air pressure. 6. Worn, bent or loose blade. 7. Build-up of grass, leaves and trash under mower 8. Mower drive belt worn or out of adjustment 9. Blades improperly installed 10. Improper blades used. 	<ol style="list-style-type: none"> 1. Place throttle control in "FAST" position. 2. Shift to slower speed. 3. Allow grass to dry before mowing. 4. Level mower deck. 5. Check tires for proper air pressure. 6. Replace/sharpen blade. Tighten blade bolt 7. Clean underside of mower housing 8. Replace/adjust mower drive belt 9. Reinstall blades sharp edge down. 10. Replace with blades listed in this manual.
Headlight(s) not working (if so equipped)	<ol style="list-style-type: none"> 1. Switch is "OFF". 2. Bulb(s) burned out 3. Faulty light switch. 4. Loose or damaged wiring 5. Blown fuse. 	<ol style="list-style-type: none"> 1. Turn switch "ON". 2. Replace bulb(s) 3. Check/replace light switch. 4. Check wiring and connections 5. Replace fuse.
Battery will not charge	<ol style="list-style-type: none"> 1. Bad battery cell(s) 2. Poor cable connections 3. Faulty regulator (if so equipped) 4. Faulty alternator. 	<ol style="list-style-type: none"> 1. Replace battery 2. Check/clean all connections. 3. Replace regulator. 4. Replace alternator.
Tractor "creeps" with motion control lever in "neutral" position	<ol style="list-style-type: none"> 1. Motion control lever is out of adjustment 	<ol style="list-style-type: none"> 1. Adjust motion control lever

REPAIR PARTS

12 HP 38" RIDING LAWN TRACTOR - - MODEL NUMBER 917.257360

SCHEMATIC



IGNITION SWITCH

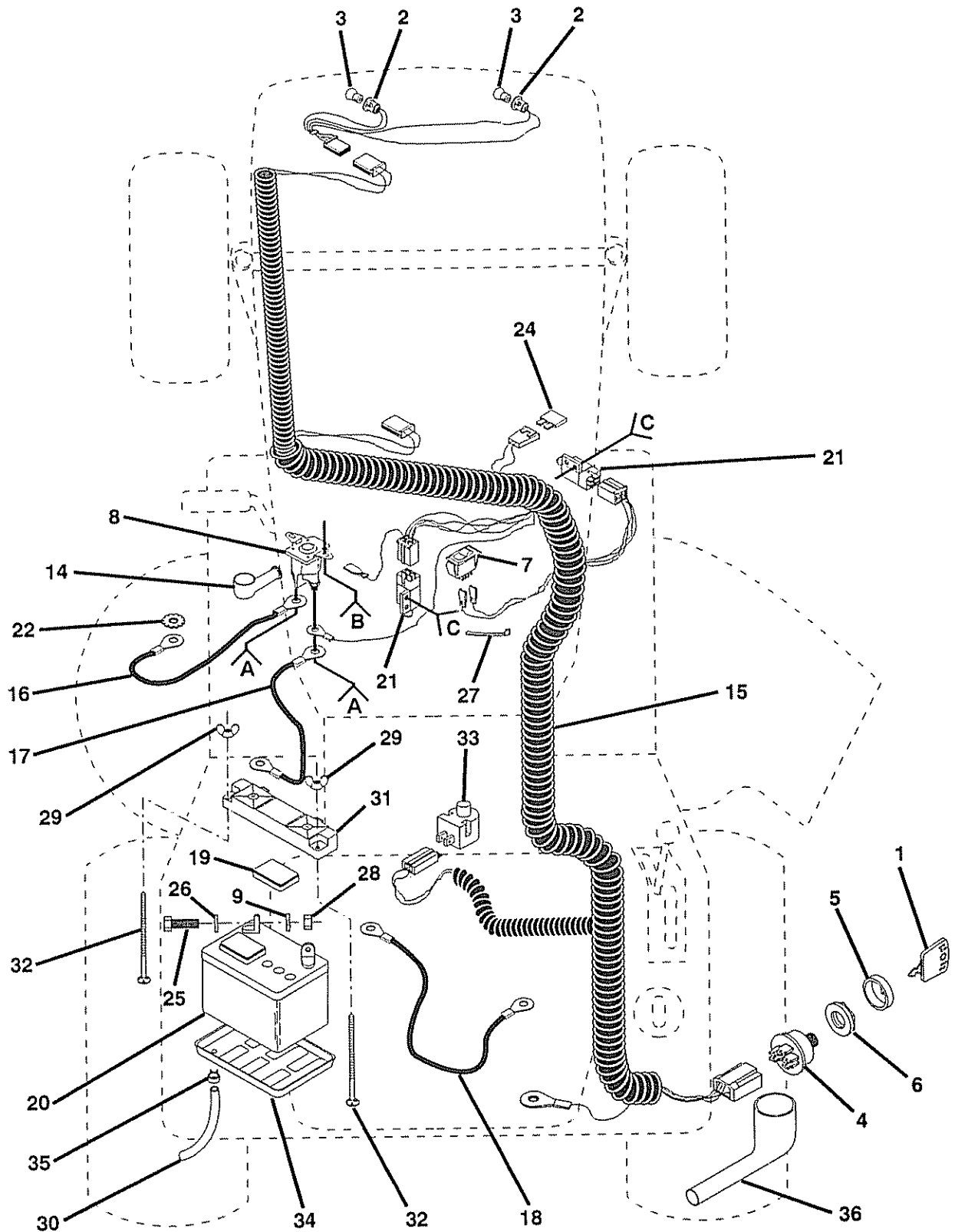
POSITION	CIRCUIT
OFF	M + G
ON	B + L
START	B + S

● NON-REMOVABLE CONNECTIONS ○ REMOVABLE CONNECTIONS

REPAIR PARTS

12 HP 38" RIDING LAWN TRACTOR - - MODEL NUMBER 917.257360

ELECTRICAL



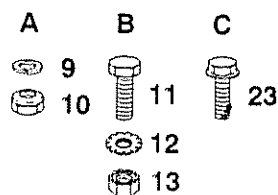
REPAIR PARTS

12 HP 38" RIDING LAWN TRACTOR - - MODEL NUMBER 917.257360 ELECTRICAL

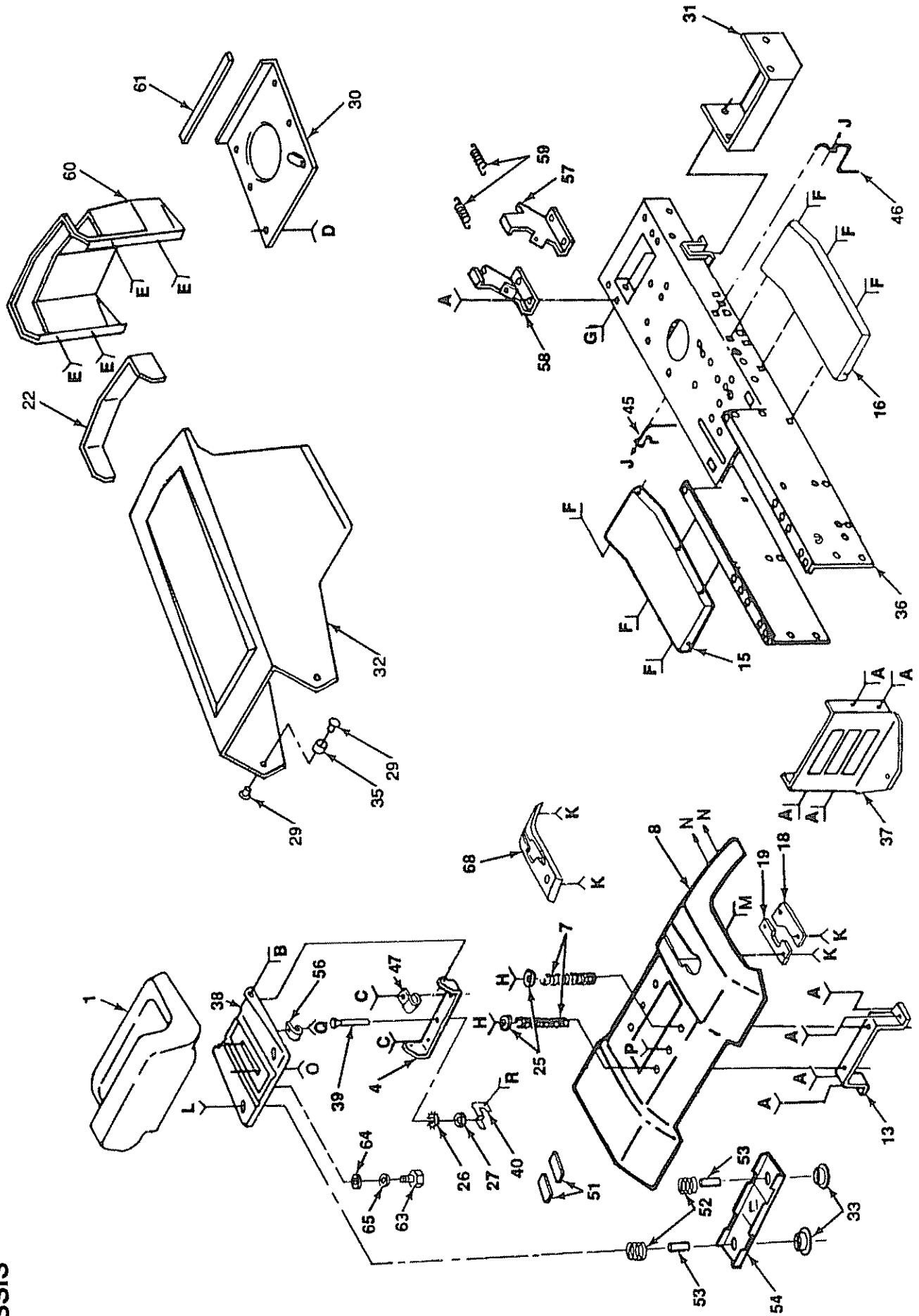
KEY PART NO.	NO.	DESCRIPTION
1	109310X	Key, Molded
2	127441X	Harness, Socket, Light
3	7662J	Bulb, Light
4	4406	Switch, Ignition
5	123620X	Cover, Switch, Key
6	124211X	Nut, Ignition
7	110712X	Switch, Light
8	109081X	Solenoid
9	STD551125	* Washer, Lock 1/4
10	STD541225	* Nut, Jam 1/4-20
11	STD522505	* Bolt, Hex 1/4-20 x 1/2 Grade 5
12	STD551225	* Washer, Lock, External Tooth 1/4
13	STD541425	* Nut, Keps 1/4-20
14	719J	Cover, Terminal
15	128369X	Harness, Ignition
16	5114J	Cable, Starter
17	108423X	Cable, Battery
18	4207J	Cable, Ground
19	121264X	Caps, Battery
20	126664X	Battery
21	109553X	Switch, Interlock
22	11150400	Washer, Lock, Internal Tooth 1/4
23	STD601005	* Screw, Hex, Tapping #10-24 x 1/2
24	108824X	Fuse
25	STD522507	* Bolt, Hex 1/4-20 x 3/4
26	STD551025	* Washer 9/32 x 5/8 x 16 Gauge
27	7192J	Tie, Cable
28	STD541025	* Nut, Hex 1/4-20
29	123198X	Nut, Wing 1/4-20
30	105687X	Tube, Battery Tray
31	102476X	Guard, Terminal
32	STD532575	* Bolt, Carriage 1/4-20 x 7-1/2
33	121305X	Switch, Seat
34	7603J	Tray, Battery
35	109596X	Clamp, Hose
36	124083X	Cover, Switch, Ignition
--	128375	Manual, Owner's
--	101539X	Sheet, Instruction, Tractor, 15° Slope

* STANDARD HARDWARE - - PURCHASE LOCALLY

NOTE: All component dimensions given in U.S. inches
1 inch = 25.4 mm



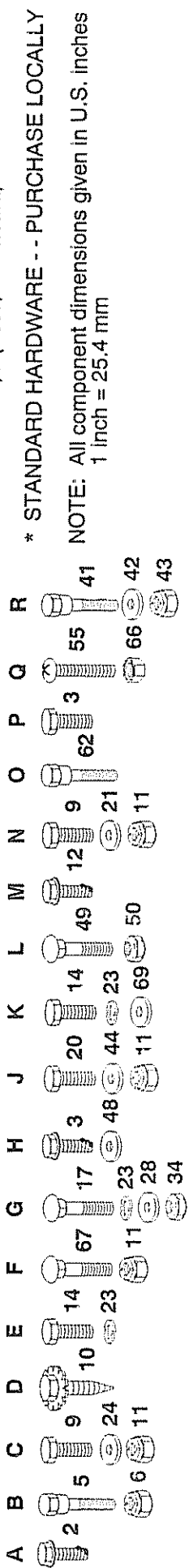
REPAIR PARTS
12 HP 38" RIDING LAWN TRACTOR -- MODEL NUMBER 917.257360
CHASSIS



12 HP 38" RIDING LAWN TRACTOR - - MODEL NUMBER 917.257360

CHASSIS

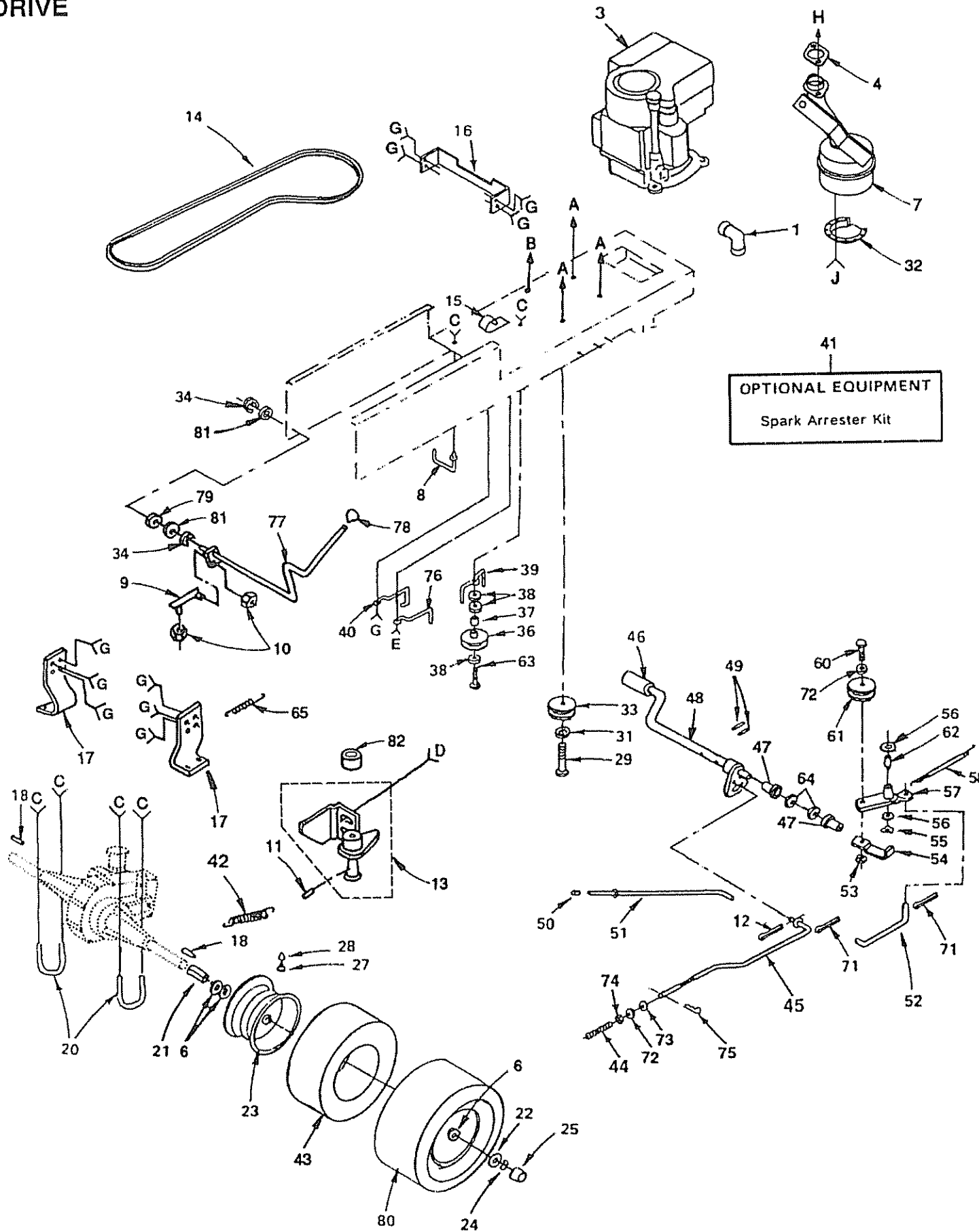
KEY PART NO. NO.	DESCRIPTION	KEY PART NO. NO.	DESCRIPTION
1	Seat	41	Bolt, Shoulder 1/4-20 UNC
2	Screw, Hex Washer Thd. Roll. 3/8-16 x 3/4	42	Washer, Spring
3	Screw, Hex Washer Thd. Roll. 3/8-16 x 1	43	Nut, Crownlock 1/4-20 UNC
4	Bracket, Pivot, Seat	44	Washer 13/32 x 1-1/4 x 12 Gauge
5	Bolt, Shoulder 5/16-18	45	Guide, Belt, Lower, Engine Pulley, L.H.
6	* Nut, Crownlock 5/16-18	46	Guide, Belt, Lower, Engine Pulley, R.H.
7	124181X	47	Clip, Fuel Line
8	126599X417	48	Washer 13/32 x 1 x 14 Gauge
9	STD523707	49	Bolt, Round Head 1/4-20 x 1-1/4
10	17030808	50	Locknut, Hex, Large, Flange
11	STD541437	51	Foam, Strip
12	17490608	52	Spring, Seat, Compression
13	109873X	53	Spacer, Split
14	STD512505	54	Bracket, Switch Mount
15	105476X361	55	* Screw, Slotted Pan Head #10-32 x 1/2
16	105475X361	56	Clip, Insulated
17	74760412	57	Bracket, Pivot, R.H.
18	126597X	58	Bracket, Pivot, L.H.
19	126598X	59	Spring, Extension
20	STD523710	60	Grill
21	19131312	61	Strip, Foam
22	124478X	62	Bolt, Shoulder
23	STD551125	63	Bolt, Fin. Hex 1/2-13 UNC x 7/8 Grade 5
24	19131210	64	Washer 17/32 x 1-3/16 x 12 Gauge
25	124238X	65	* Washer, Lock, Heavy Helical Spring
26	STD551237	66	Nut, Keps #10-32 UNF
27	73610600	67	* Bolt, Carriage 3/8-16 x 3/4
28	19091416	68	Console, Shift, Fender, Hydro
29	122933X	69	* Washer 9/32 x 3/4 x 16 Gauge
30	124027X	—	Decal, Automatic (Hood, Side)
31	123665X	—	Decal, HP (Hood, Side)
32	124025X361	—	Decal (Rear Fender)
33	121248X	—	Decal (Front Grill)
34	126850X	—	Decal, Clutch/Brake
35	124479X	—	Decal, Deck Size (Chassis, Side)
36	127167X	—	Decal, Belt Installation (Under Footrest)
37	127866X	—	Decal, Stripe (Hood, L.H.)
38	124294X	—	Decal, Stripe (Hood, R.H.)
39	126654X	—	Decal, Caution, Slope (Front Fender)
40	126657X	—	Decal, USA (Fender Slope)
		—	Decal, II (Hood, L.H. & R.H.)



REPAIR PARTS

12 HP 38" RIDING LAWN TRACTOR -- MODEL NUMBER 917.257360

DRIVE



REPAIR PARTS

12 HP 38" RIDING LAWN TRACTOR - - MODEL NUMBER 917.257360

DRIVE

KEY PART
NO. NO.

DESCRIPTION

1	127222X	Pipe, Oil Drain
3	124136X	Engine, Briggs and Stratton, 12 HP, Model Number 281707, Type Number 0412-01
4	2949R	Gasket
5	123528X	Screw, Cap, Hex Head
6	121749X	Washer 25/32 x 1-1/4 x 16 Gauge
7	122983X	Muffler
8	126577X	Keeper, Centerspan
9	126589X	Link, Pump, Control
10	73040400	Nut, Hex, Flange, Whizlock 1/4-28 UNF
11	126655X	Pin, Roll, Metric
12	4921H	Spring, Retainer
13	126912X	Friction Pack Assembly
14	126576X	V-Belt Drive
15	2751R	Clip, Insulated
16	121187X	Bracket, Mounting, Hydro
17	126649X	Bracket, Transaxle
18	123583X	Key, Square 2.5 x .1845/ 1865
20	121189X	U-Bolt 3/8-16 x 2-7/8
21	121199X	Spacer, Split
22	121748X	Washer 25/32 x 1-5/8 x 16 Gauge
23	106108X	Rim, Rear
24	STD581075	* E-Ring
25	104757X	Cap, Axle, Rear
26	STD551131	* Washer, Lock, Heavy Helical Spring
27	65139	Stem, Valve
28	59192	Cap, Valve
29	71130720	Bolt, Hex 7/16-20 x 1-1/4 Grade 8
30	17030808	Screw, Spiderlock #8 x 1/2
31	STD551143	* Washer, Lock 7/16
32	101326L	Deflector, Muffler
33	105731X	Pulley, Engine
34	STD581050	* E-Ring
35	19111610	Washer 11/32 x 1 x 10 Gauge
36	123674X	Idler, Flat
37	4470J	Spacer
38	19131312	Washer 13/32 x 13/16 X 12 Gauge
39	109070X	Keeper, Belt
40	121218X	Keeper, Belt, Engine, L.H.
41	121851X	Spark Arrester Kit
42	110422X	Spring, Return, Brake
43	7152J	Tube (Not furnished with tractor)
44	106888X	Spring, Rod, Brake
45	126634X	Rod, Brake

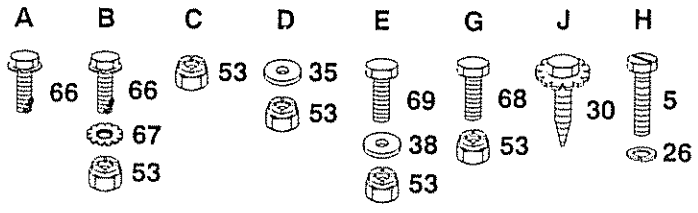
KEY PART
NO. NO.

DESCRIPTION

46	8883R	Cover, Pedal
47	120183X	Bearing, Nylon
48	122424X	Shaft, Foot Pedal
49	STD571810	* Pin, Roll 3/16 x 1
50	124236X	Cap, Plunger
51	125638X	Rod, Brake, Parking
52	105710X	Link, Clutch
53	STD541437	* Nut, Crownlock 3/8-16
54	123205X	Retainer, Belt
55	12000039	Klip Ring
56	110812X	Washer, Hardened
57	123789X	Arm, Idler
58	105709X	Spring, Return, Clutch
60	STD523715	* Bolt, Hex 3/8-16 x 1-1/2
61	123766X	Pulley, Idler
62	105706X	Bearing
63	STD523727	* Bolt, Hex 3/8-16 x 2-3/4
64	19211616	Washer 21/32 x 1 x 16 Gauge
65	126910X	Spring, Extension
66	17490620	Bolt, Hex Washer Threaded Roll. 3/8-16 x 1-1/4
67	STD551237	* Washer, Lock, External Tooth 3/8
68	STD523707	* Bolt, Fin. Hex 3/8-16 x 3/4 UNC
69	STD523710	* Bolt, Hex 3/8-16 x 1
71	STD561210	* Pin, Cotter 1/8 x 3/4
72	STD551037	* Washer 13/32 x 13/16 x 16 Gauge
73	STD541437	* Locknut, Hex w/Wsh. Insert 3/8-16
74	STD541237	* Nut, Hex, Jam 3/8-16
75	4497H	Clip, Hairpin
76	105730X	Keeper, Belt, Engine
77	126592X	Lever, Control
78	106933X	Knob, Control
79	126590X	Bushing, Pivot, L.H.
80	3588R	Tire
81	126591X	Washer, Shim
82	121232X	Cap, Spindle
--	126629	Decal, Engine

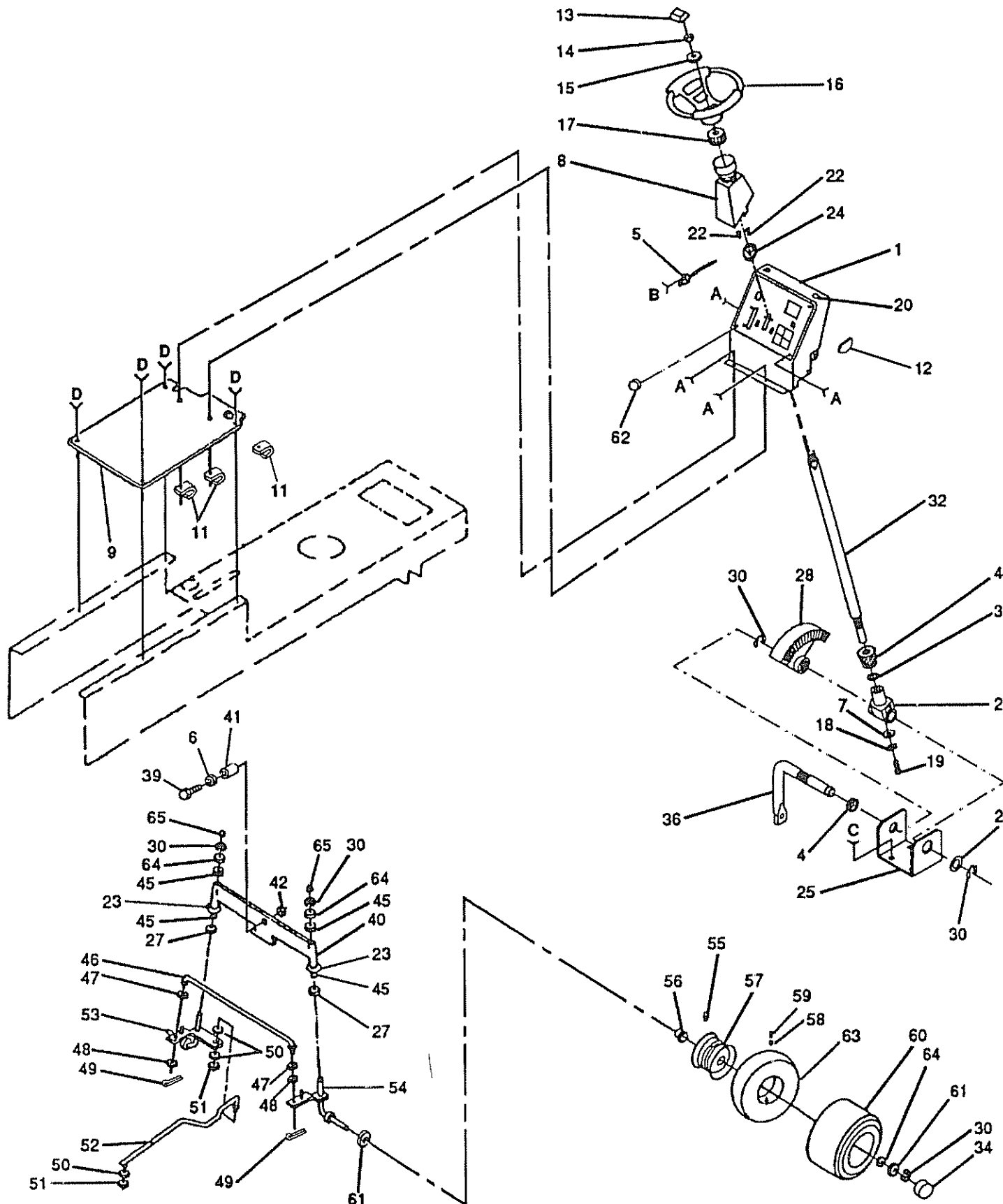
* STANDARD HARDWARE - - PURCHASE LOCALLY

NOTE: All component dimensions given in U.S. inches
1 inch = 25.4 mm



REPAIR PARTS

12 HP 38" RIDING LAWN TRACTOR - - MODEL NUMBER 917.257360 STEERING AND FRONT AXLE



REPAIR PARTS

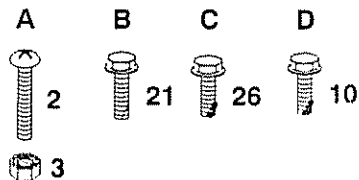
12 HP 38" RIDING LAWN TRACTOR - - MODEL NUMBER 917.257360

STEERING AND FRONT AXLE

KEY PART NO. NO.	DESCRIPTION	KEY PART NO. NO.	DESCRIPTION
1	126604X010 Dash	36	124033X Shaft, Pitman
2	74180512 Screw, Truss Head 5/16-18 x 3/4	39	74761060 Bolt, Hex 5/8-11 x 3-3/4
3	STD541431 * Nut, Keps 5/16-18	40	105669X Axle, Front
4	109816X Nyliner, Snap In	41	110438X Spacer, Bearing, Axle, Front
5	124434X Control, Throttle/Choke	42	73901000 Locknut, Flange 5/8-11
6	19212010 Washer	44	124037X Gear, Pinion
7	126684X Washer 5/8 x 1/4 x 16 Gauge	45	3366R Bearing
8	124417X Boot, Shaft, Steering	46	105715X Rod, Tie
9	126595X010 Saddle	47	120754X Bushing
10	17490608 Screw, Hex Washer Head, Thd. Roll. 3/8-16 x 1/2	48	19131416 Washer 13/32 x 7/8 x 16 Gauge
11	2751R Clip, Insulated	49	STD561210 * Pin, Cotter 1/8 x 3/4
12	110307X Stop, Clutch, Mower	50	STD551137 * Washer, Lock 3/8
13	100710L Insert, Steering Wheel	51	73610600 Nut, Fin Hex 3/8 x 24 UNF
14	STD541350 * Locknut, Hex, Jam 1/2-20	52	124032X Link, Drag
15	100712K Washer 2-1/4	53	105656X Spindle, L.H.
16	100713N Steering Wheel	54	105654X Spindle, R.H.
17	100711L Adapter, Steering Wheel	55	278H Fitting, Grease
18	STD551125 * Lockwasher 1/4	56	9040H Bearing, Flange
19	71070410 Screw, Socket Hex 1/4-20 x 5/8	57	106732X361 Rim, Front (Includes 2 each of Key Number 56)
20	126938X Bumper, Hood	58	59192 Cap, Valve
21	17720410 Screw, Hex Thd. Cut. 1/4-20 x 5/8	59	65139 Stem, Valve
22	STD611005 * Screw, Hex, Self-Tapping #10-16 x 1/2 Type ABTPS	60	106222X Tire, Front
23	19272016 Washer 27/32 x 1-1/4 x 16 Gauge	61	121749X Washer 25/32 x 1-1/4 x 16 Gauge
24	124373X Bushing, Steering	62	5479J Plug, Button
25	124036X Bracket, Steering	63	59904 Tube, Front (not furnished with tractor)
26	17490612 Screw, Hex Washer Head, Thd. Roll. 3/8-16 x 3/4 Type TT	64	121748X Washer 25/32 x 1-5/8 x 16 Gauge
27	6266H Bearing, Thrust	65	121232X Cap, Spindle
28	124034X Gear, Sector	—	108456X Decal, Instructions (Dash Panel)
29	124035X Support Shaft	—	125879X Decal, Steering Wheel Cap
30	12000029 Ring, Klip		
31	57079 Washer, Hardened		
32	124038X Shaft, Steering		
34	104757X Cap, Axle		

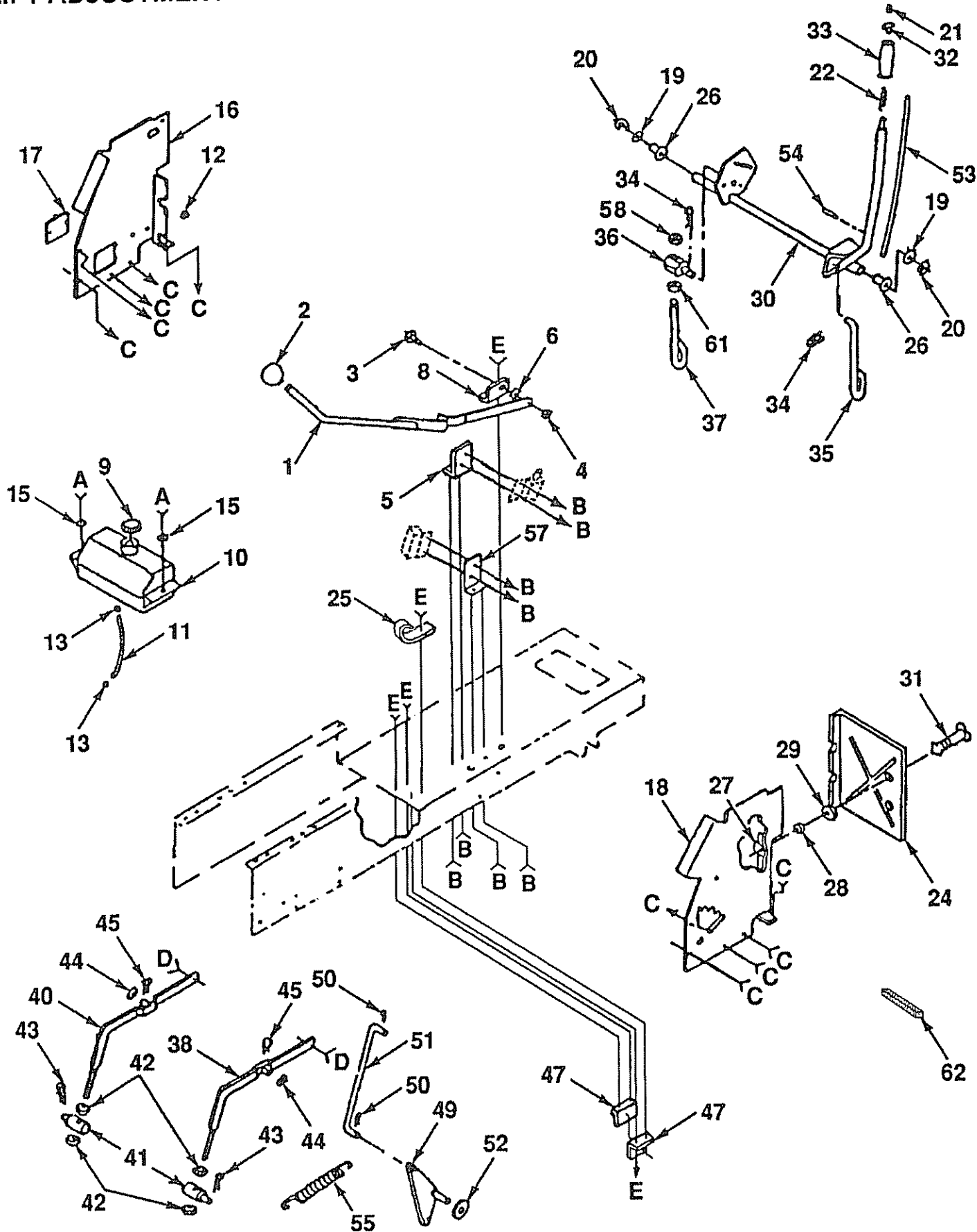
* STANDARD HARDWARE - - PURCHASE LOCALLY

NOTE: All component dimensions given in U.S. inches
1 inch = 25.4 mm



REPAIR PARTS

12 HP 38" RIDING LAWN TRACTOR -- MODEL NUMBER 917.257360
LIFT ADJUSTMENT



REPAIR PARTS

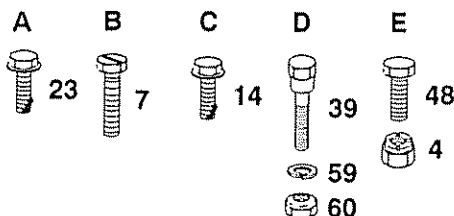
12 HP 38" RIDING LAWN TRACTOR - - MODEL NUMBER 917.257360

LIFT ADJUSTMENT

KEY PART NO. NO.	DESCRIPTION	KEY PART NO. NO.	DESCRIPTION
1 124429X	Handle, Clutch, Mower	31 123650X	Stud, 1/4 Turn
2 106932X	Knob	32 122364X	Plunger
3 106451X	Bolt, Shoulder	33 125631X	Grip, Handle
5 106452X	Bracket, Switch, Interlock	34 4939M	Retainer, Spring
6 19171516	Washer 17/32 x 15/16 x 16 Gauge	35 110029X	Link, Lift
7 STD601005	* Screw, Hex, Tapping #10-24 x 1/2	36 110447X	Trunnion, Lift
8 106447X	Support, Lever, Clutch	37 110448X	Link, Lift, Adjustable
9 123549X	Cap, Fuel	38 121598X	Arm, Suspension, R.H.
10 109202X	Tank, Fuel	39 105848X	Bolt, Shoulder 3/8-16
11 101335K	Line, Fuel	40 121599X	Arm, Suspension, L.H.
12 124028X	Grommet	41 106308X	Trunnion, Lift, Lower
13 123487X	Clamp, Hose	42 STD541050	* Nut, Hex 1/2-13
14 17490612	Screw, Hex Washer Head, Thd. Roll. 3/8-16 x 3/4	43 9135R	Retainer, Spring
15 19091416	Washer 9/32 x 7/8 x 16 Gauge	44 19171516	Washer 17/32 x 15/16 x 16 Gauge
16 122795X	Panel, Dash, L.H.	45 4921H	Retainer, Spring
17 121794X	Cover, Access	47 106444X	Bracket, Bellcrank
18 124031X012	Panel, Dash, R.H.	48 STD523707	* Bolt, Hex 3/8-16 x 3/4
19 19211416	Washer 21/32 x 7/8 x 16 Gauge	49 106728X	Bellcrank Assembly
20 STD581062	* E-Ring	50 STD561210	* Pin, Cotter 1/8 x 3/4
21 122365X	Button, Plunger	51 124444X	Rod, Clutch, Primary
22 122512X	Spring, Compression	52 19131410	Washer 13/32 x 7/8 x 10 Gauge
23 17490412	Screw, Hex Washer Head, Thd. Roll. 1/4-20 x 3/4	53 122514X	Rod, Assembly, Lever
24 105736X	Shield, Head	54 105767X	Pin, Groove
25 5320R	Clip, Insulated	55 124446X	Spring, Extension
26 120183X	Bearing, Nylon	57 108236X	Bracket, Switch
27 105839X	Receptacle, 1/4 Turn	58 73710700	Nut, Crownlock 7/16-20
28 105838X	Retainer, 1/4 Turn	59 110739X	Washer, Spring
29 STD551025	* Washer 9/32 x 5/8 x 16 Gauge	60 73980600	Locknut, Flange 3/8-16
30 122507X	Shaft, Lift	61 STD541343	* Nut, Hex, Jam 7/16-20 UNF
		62 127057X	Strip, Foam

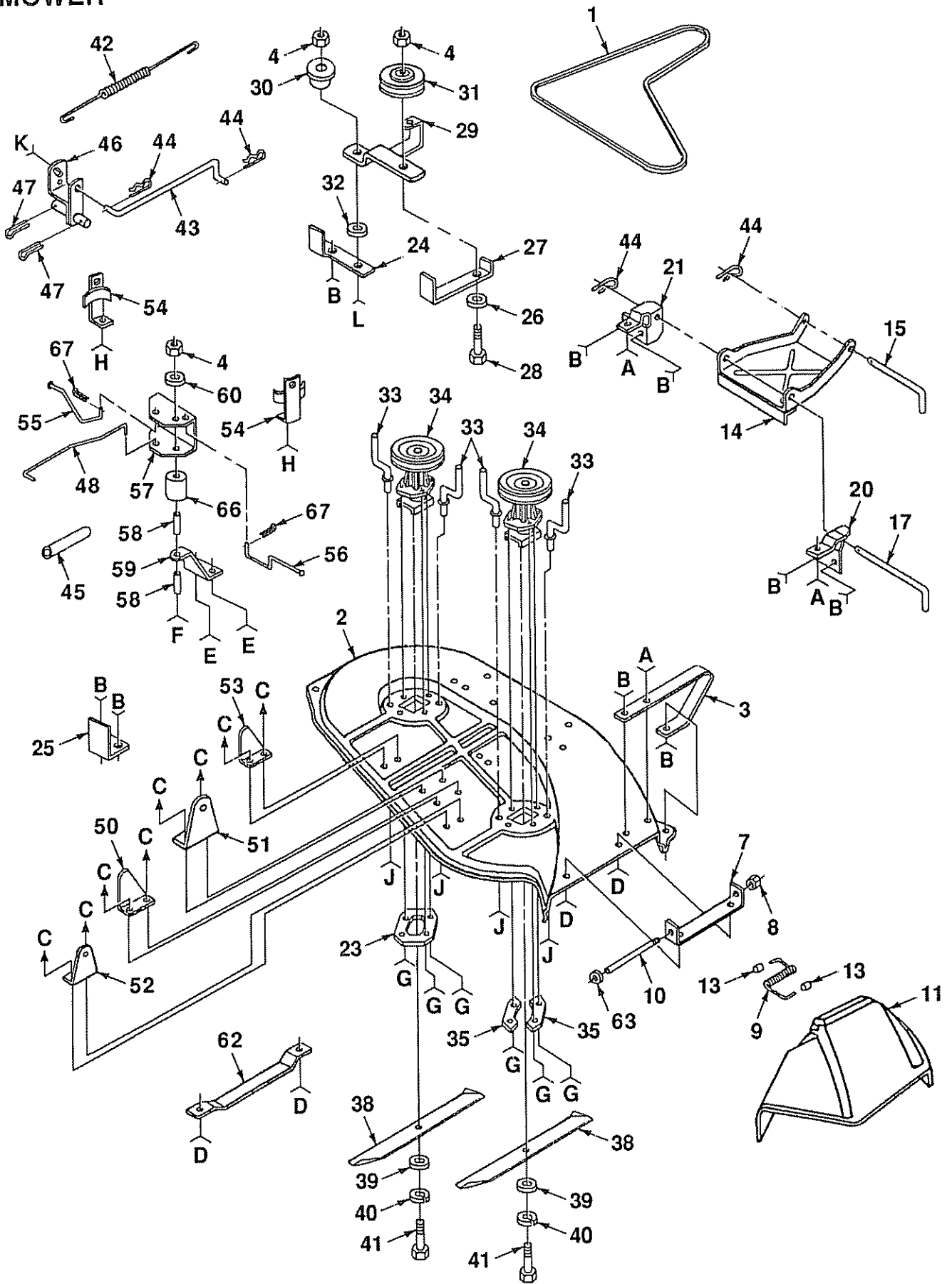
* STANDARD HARDWARE - - PURCHASE LOCALLY

NOTE: All component dimensions given in U.S. inches
1 inch = 25.4 mm



REPAIR PARTS

12 HP 38" RIDING LAWN TRACTOR - - MODEL NUMBER 917.257360
38" MOWER



REPAIR PARTS

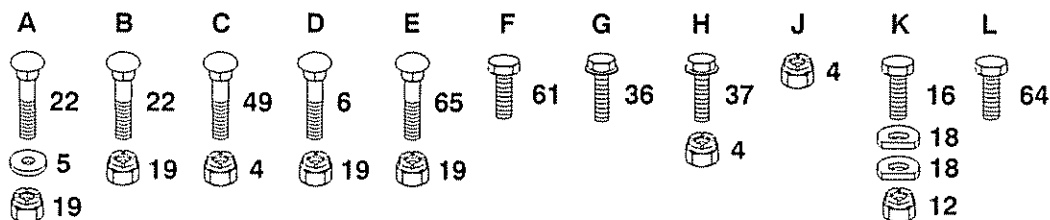
12 HP 38" RIDING LAWN TRACTOR - - MODEL NUMBER 917.257360

8" MOWER

KEY PART O. NO.	DESCRIPTION	KEY PART NO. NO.	DESCRIPTION
1 106085X	V-Belt	41 STD623715	* Bolt, Hex 3/8-24 x 1-1/2 Grade 5
2 121259X	Housing	42 108250X	Spring, Extension
3 8417J	Runner, R.H.	43 108235X	Rod, Clutch, Mower
4 STD541437	* Nut, Crownlock 3/8-16	44 4921H	Spring, Retainer
5 19111216	Washer 11/32 x 3/4 x 16 Gauge	45 6404J	Spacer 1/2 x 9/16
6 STD533106	* Bolt, Carriage 5/16-18 x 5/8	46 124066X	Rock Shaft Assembly
7 105896X	Bracket, Deflector	47 STD561820	* Pin, Cotter 3/16 x 1
8 110452X	Nut, Push	48 108247X	Rod, Brake, Primary
9 106734X	Spring, Deflector	49 STD533707	* Bolt, Carriage 3/8-16 x 3/4
0 106735X	Rod, Hinge	50 108243X	Bracket, Pivot, R.H.
1 106736X	Deflector, Shield	51 108241X	Bracket, Pivot, L.H.
2 73680400	Nut, Crownlock 1/4-20	52 105857X	Bracket, Suspension, Rear, R.H.
3 105304X	Cap	53 108673X	Bracket, Suspension, Rear, L.H.
4 129762X	Stop Assembly, Parallel Link	54 106578X	Brake Assembly
5 105744X	Pin, Hinge, Front	55 106463X	Rod, Brake, Secondary, L.H.
6 74760412	Bolt, Hex 1/4-20 x 3/4	56 108249X	Rod, Brake, Secondary, R.H.
7 109835X	Pin, Hinge, Rear	57 106456X	Bracket, Brake, Pivot
8 109893X	Washer, Special	58 100672K	Spacer, Brake
9 STD541431	* Nut, Crownlock 5/16-18	59 100673L	Bracket, Support
0 109598X	Bracket, Lift, R.H.	60 19131614	Washer 13/32 x 1 x 14 Gauge
1 109597X	Bracket, Lift L.H.	61 STD523755	* Bolt 3/8-16 x 5-1/2
2 STD533107	* Bolt, Carriage 5/16-18 x 3/4	62 7631J	Runner, L.H.
3 110445X	Plate, Support, Mandrel, L.H.	63 19111016	Washer 11/32 x 1 x 14 Gauge
4 109503X	Support, Arm	64 STD533712	* Bolt 3/8-16 x 1-1/4
5 109504X	Stop, Deck, Front	65 STD533107	* Bolt, Carriage 5/16-18 x 3/4
6 STD551037	* Washer 13/32 x 13/16 x 16 Gauge	66 122314X	Spacer
7 126756X	Guide, Belt	67 STD560907	* Pin, Cotter 3/32 x 1/2
8 74760632	Bolt 3/8-16 x 2	-- 122215X	Mower Assembly, Complete
9 127162X	Arm, Idler	-- 105814X	Decal, Belt Installation
0 106902X	Spacer, Retainer	-- 121343X	Decal, Cut Finger
1 123688X	Idler, Flat	-- 3713J	Decal, Instruction, Caution
2 106513X	Washer, Wear 1/16		
3 102669X	Keeper, Belt		
4 121676X	Mandrel Assembly		
5 100668L	Plate, Support Mandrel		
6 17490614	Screw, Hex Washer Head 3/8-16 x 7/8		
7 17490620	Screw, Hex Washer Head 3/8-16 x 1-1/4		
8 121263X	Blade		
9 19132012	Washer 13/32 x 1-1/4 x 12 Gauge		
0 STD551137	* Washer, Lock 3/8		

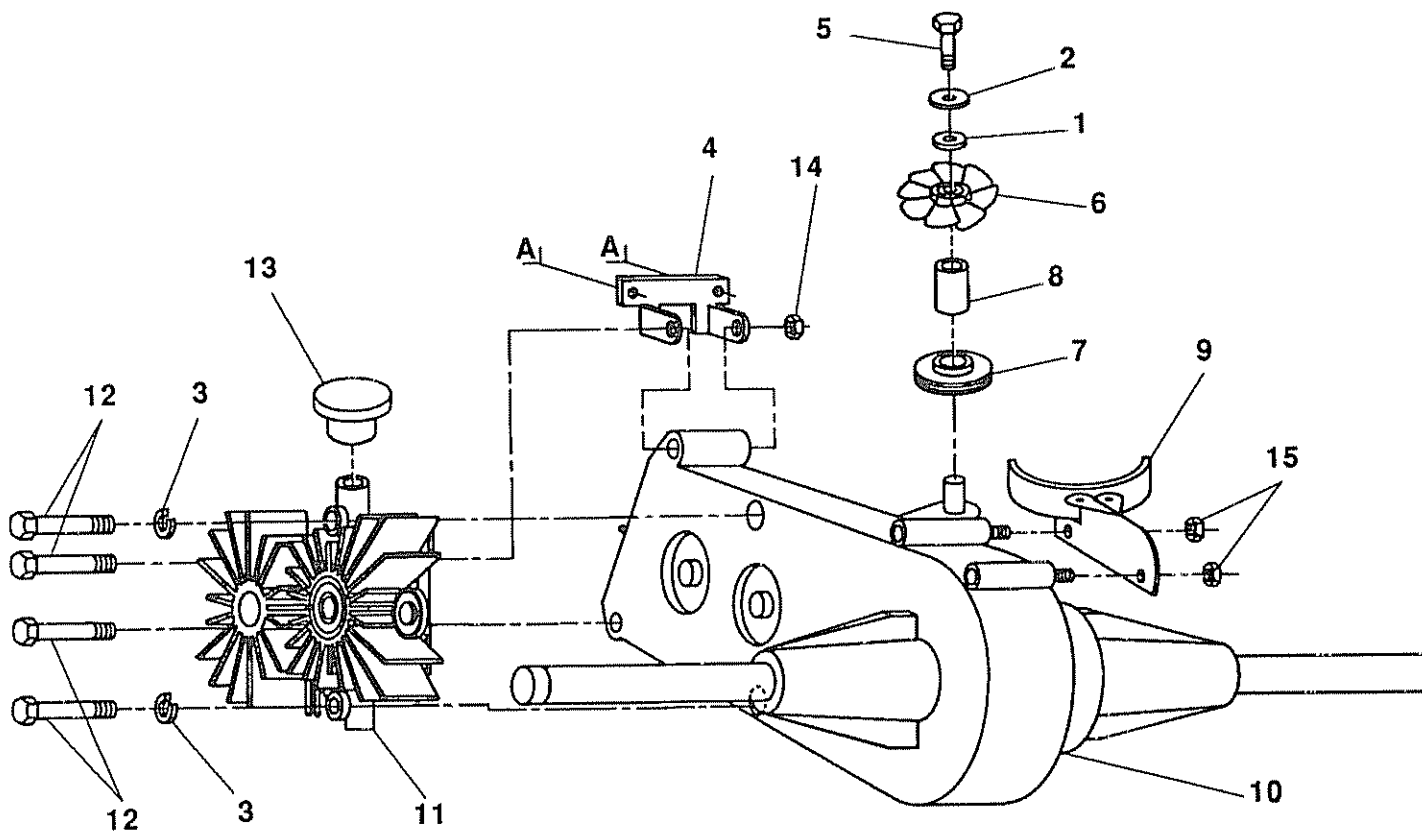
* STANDARD HARDWARE - - PURCHASE LOCALLY

NOTE: All component dimensions given in U.S. inches
1 inch = 25.4 mm



REPAIR PARTS

12 HP 38" RIDING LAWN TRACTOR - - MODEL NUMBER 917.257360 TRANSAXLE AND PUMP ASSEMBLY

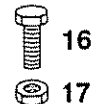


KEY PART NO. NO.

DESCRIPTION

1	19092016	Washer 9/32 x 1-1/4 x 16 Gauge
2	STD551125	* Washer, Lock, Heavy Helical Spring
3	STD551131	* Washer, Lock
4	121188X	Bracket, Pnt. Mounting, Differential
5	STD522507	* Bolt, Hex 1/4-20 UNC x 3/4
6	126578X	Fan, Hydro, 7"
7	126579X	Pulley, Transaxle
8	121211X	Standoff, Fan, Hydro
9	126581X	Guard Assembly, Belt
10	---	Differential Assembly (See breakdown)
11	---	Pump Assembly (See breakdown)
12	STD523145	* Bolt, Hex, Fin 5/16-18 UNC x 4-1/2
13	121323X	Reservoir, Pump
14	STD541431	* Nut, Crownlock 5/16-18
15	73680400	Nut, Crownlock 1/4-20 UNC
16	STD523707	* Bolt 3/8-16 x 3/4
17	STD541437	* Nut 3/8-16 UNC

A

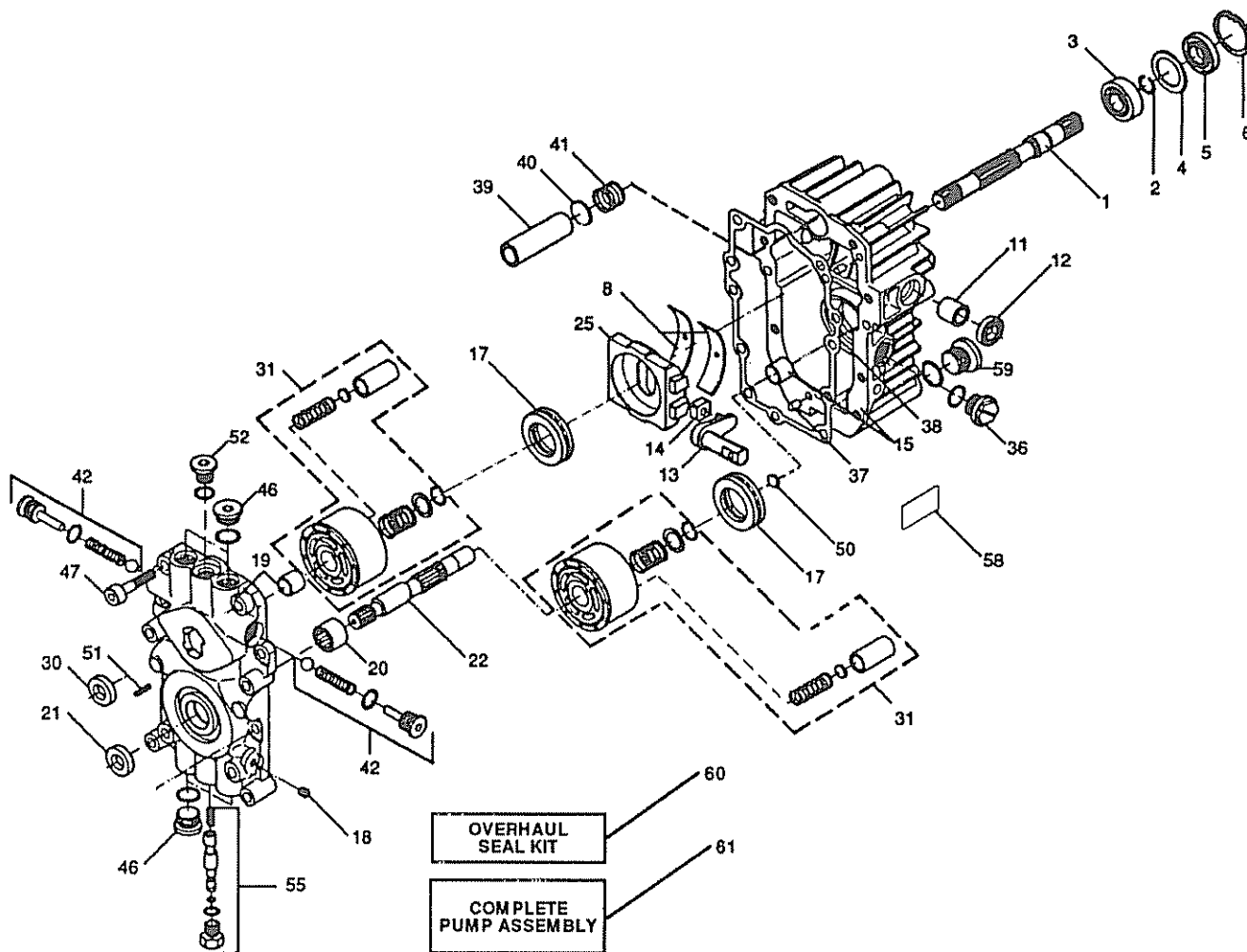


* STANDARD HARDWARE - - PURCHASE LOCALLY

NOTE: All component dimensions given in U.S. inches
1 inch = 25.4 mm

REPAIR PARTS

12 HP 38" RIDING LAWN TRACTOR - - MODEL NUMBER 917.257360 SUNDSTRAND PUMP ASSEMBLY - MODEL NUMBER BDU-10S



KEY PART NO. NO.

KEY PART NO. NO.	DESCRIPTION
1	122756X Shaft, Pump
2	122716X * Ring, Retaining
3	122745X Bearing, Ball
4	122715X * Spacer
5	122700X * Seal, Lip
6	122699X * Ring, Retaining
8	122767X Bearing, Cradle
11	122747X Bearing, Journal
12	122717X * Seal, Lip
13	122748X Arm, Trunnion
14	122749X Guide, Slot
15	127146X Housing Kit, Transmission
17	122770X Bearing, Thrust Ball
18	122771X Plug, Pipe
19	127147X Center Section Kit
20	122773X Bearing, Needle
21	122722X * Seal, Lip
22	122750X Shaft, Motor
25	127148X Swashplate, Variable
30	122723X * Seal, Lip
31	127149X Block Kit, Cylinder
36	127151X Plug, Plastic
7	122786X Pin, Stainless, Headless

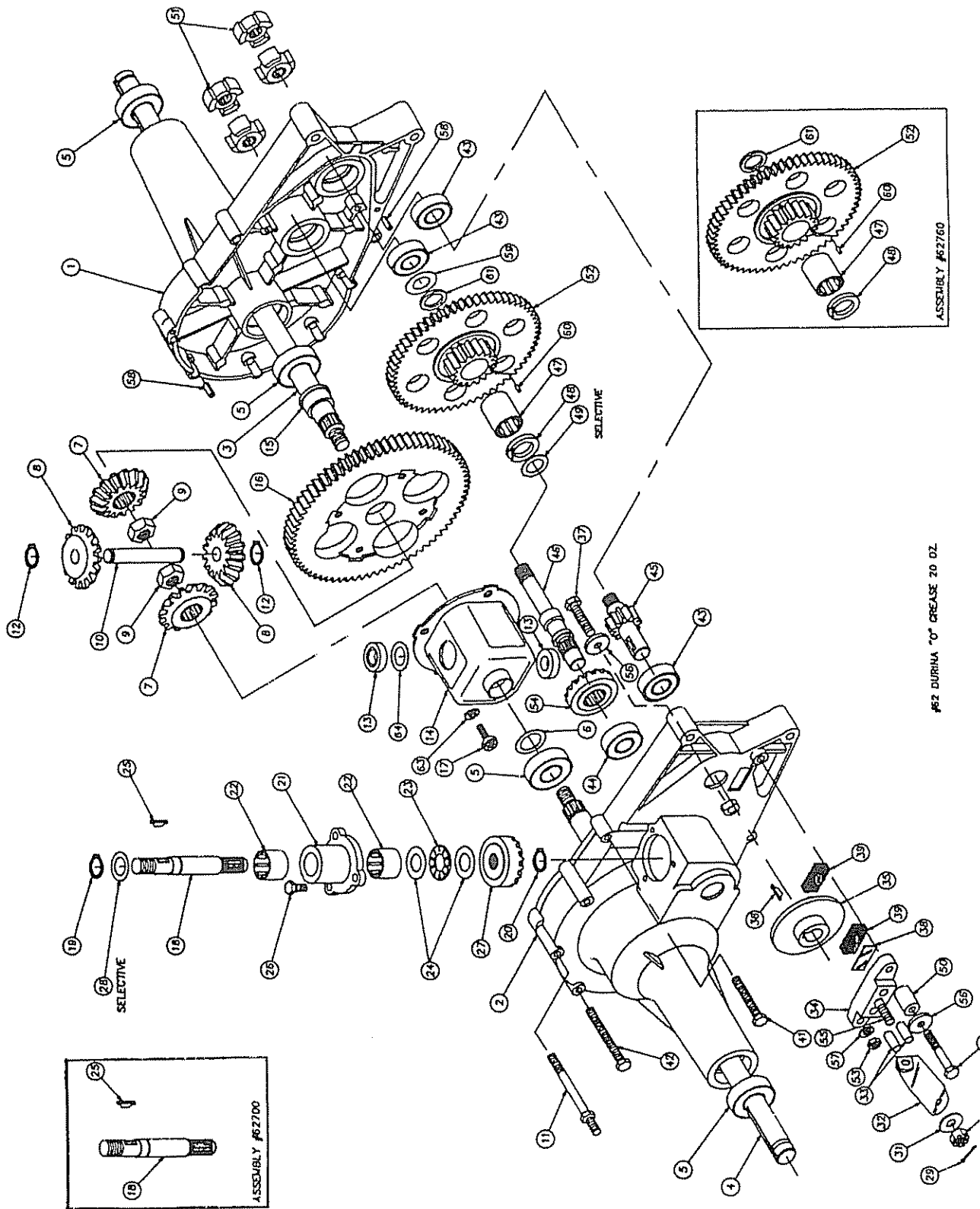
KEY PART NO. NO.

KEY PART NO. NO.	DESCRIPTION
38	122718X * Gasket, Center Section
39	122731X Filter
40	122730X Washer, Thrust
41	122728X Spring, Helical Compression
42	127152X Check Valve Kit
46	122787X Plug, Stainless, Threaded
47	122752X Screw Socket Head Cap
50	122788X Washer, Thrust
51	122789X Pin, Spiral
52	122754X Plug, Stainless, Threaded
55	127153X Bypass Valve Kit
58	122727X Adhesive Label, Bar Coded
59	122790X Plug, Stainless, Threaded
60	127154X Overhaul Seal Kit, BDU-10 Includes: items marked with * and O-Rings for Check Valves and Bypass Valve
61	121430X Complete Pump Assembly

NOTE: All component dimensions given in U.S. inches
1 inch = 25.4 mm

REPAIR PARTS

12 HP 38" RIDING LAWN TRACTOR -- MODEL NUMBER 917.257360
AGRI-FAB TRANSAXLE -- MODEL NUMBER 486.121431X



#62 DURINA "O" GREASE 20 OZ.

12 HP 38" RIDING LAWN TRACTOR - - MODEL NUMBER 917.257360

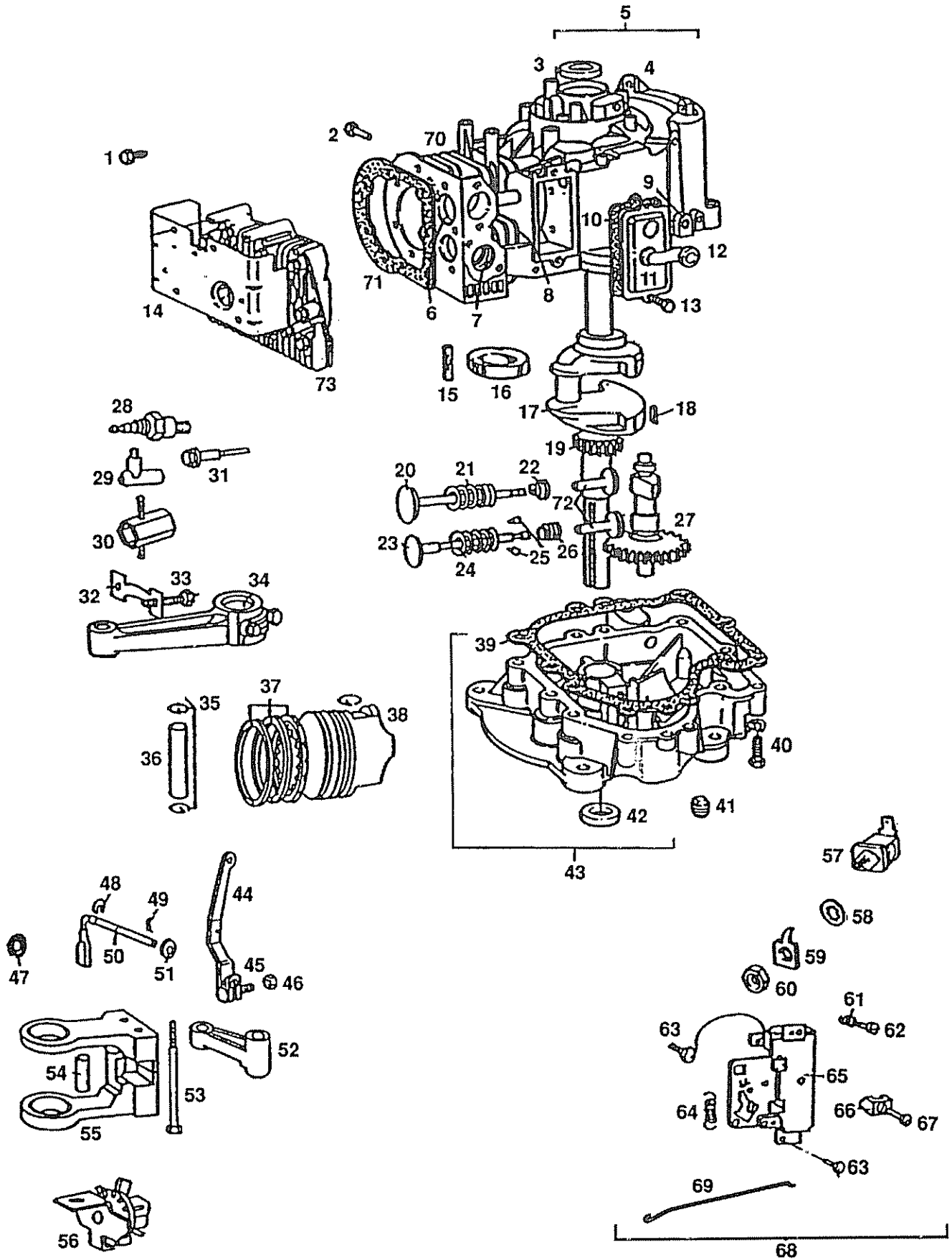
AGRI-FAB TRANSAXLE - - MODEL NUMBER 486.121431X

KEY PART NO. NO.	DESCRIPTION	KEY PART NO. NO.	DESCRIPTION
1	122614X Housing, Half L.H.	36	123065X Key, Hi-Pro 3/16 x 5/8"
2	122615X Housing, Half R.H.	37	122666X Screw, Hex 1/4-20 x 1.50
3	122616X Axle L.H.	38	122667X Plate, Puck
4	122620X Axle R.H.	39	122668X Puck, Brake
5	122621X Bearing, Ball	40	123066X Screw, Hex w/Patch 1/4-20 x 2.00
6	122622X Washer, Flat 3/4 x 1-1/8 x .030	41	122670X Screw, Hex Self-Tap 1/4-20 x 2.00
7	122623X Gear, Miter	42	122671X Screw, Hex Self-Tap 1/4-20 x 3.00
8	122624X Gear, Miter	43	126982X Bearing, Ball
9	122625X Nut, Hex Jam w/Patch 1/2-20	44	122673X Bearing, Ball
10	122626X Shaft, Cross	45	122674X Shaft, Pinion W/11 Tooth Gear
11	122688X Screw, Stud	46	122675X Shaft, Drive
12	122629X Snap, Ring	47	123059X Bearing, Needle
13	122631X Bearing, Thrust	48	123060X Bronze Thrust Brg. 5/8 x 1-1/4 x 7/64
14	122633X Housing Assembly, Differential	49	122654X Washer, Flat .62 x 1.0 x .040
15	122634X Bearing, Flange	---	123061X Washer, Flat .62 x 1.0 x .050
16	122640X Gear, Differential 72 Tooth	50	122689X Spacer
17	122641X Bolt, Torx Head 1/4-28 x 5/8"	51	121839X Coupling
18	122642X Shaft, Input	52	126975X Gear, 60 and 17 Tooth
19	122643X Snap, Ring	53	122682X Nut, Hex 1/4-20
20	122644X Retaining Ring 7/16"	54	122683X Gear, Drive Pinion 17 Tooth
21	122645X Housing, Input Bearing	55	122684X Bolt, Square Head
22	122646X Bearing, Needle	56	122685X Washer 15/16 x .265 x .125
23	122647X Bearing, Thrust	57	122686X Washer, Spring Lock 1/4"
24	122648X Washer, Flat 5/8 x 1-1/8 x .030	58	122687X Pin, Roll 3/16" x 1/2"
25	122649X Key, Hi-Pro 3/32 x 5/8	59	122652X Washer, Flat .62 x 1.0 x .030
26	122650X Screw, Hex W/Patch 1/4-20 x 3/4	60	123062X Pin, Dowel 3/32 x 1/4
27	122651X Gear, Input Pinion 17 Tooth	61	123063X Seal, Grease
28	123061X Washer, Flat .62 x 1 x .05	62	126976X Shell, Durina-O Grease (20oz.)
---	122678X Washer, Flat .62 x 1.125 x .060	63	126977X Washer, Head Spring Lock 1/4"
---	122654X Washer, Flat .62 x 1 x .040	64	126978X Washer, Flat .50 x 1.0 x .020
29	122656X Pin, Cotter	---	126979X Washer, Flat .50 x 1.0 x .030
30	122653X Nut, Castle 5/16-24	65	126980X Assembly, Gear, Reduction
31	122659X Washer, Flat .343 x .88 x .062	66	126981X Assembly, Shaft, Input
32	122660X Arm, Brake Actuator	---	121431X Transaxle Assembly Complete
33	122662X Pin, Brake Actuating		
34	122663X Brake, Yoke		
35	122664X Disc, Brake		

NOTE: All component dimensions given in U.S. inches
1 inch = 25.4 mm

REPAIR PARTS

12 HP 38" RIDING LAWN TRACTOR - - MODEL NUMBER 917.257360
BRIGGS & STRATTON ENGINE - MODEL NUMBER 281707, TYPE 0412-01



REPAIR PARTS

12 HP 38" RIDING LAWN TRACTOR - - MODEL NUMBER 917.257360

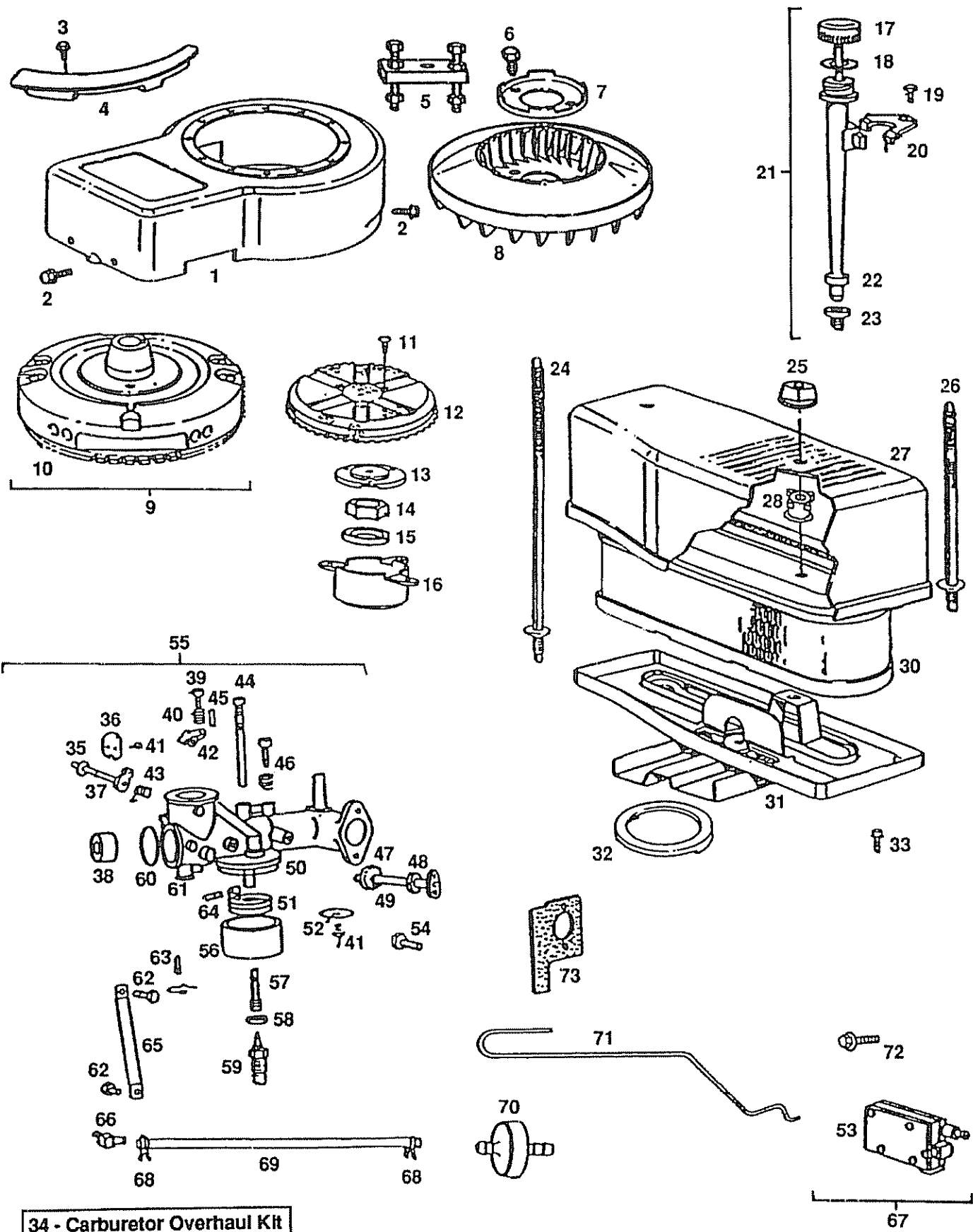
BRIGGS & STRATTON ENGINE - MODEL NUMBER 281707, TYPE 0412-01

KEY PART NO. NO.	DESCRIPTION	KEY PART NO. NO.	DESCRIPTION
1 93158	Screw, Blower Housing Mounting Sem	38 394661	Piston Assembly Standard
2 93163	Screw, Cylinder Shield Mtg. Sem	394662	Piston Assembly - .010" O.S.
3 399265	Bearing, Cylinder Note: Requires special tools for installation	394663	Piston Assembly - .020" O.S.
4 391086	Seal, Oil	394664	Piston Assembly - .030" O.S.
5 490450	Cylinder Assembly		Piston Ring Sets
6 261463	Seat, Intake Valve (Standard)	39	271916
7 210940	Seat, Exhaust Valve (Standard)	40	94305
8 261961	Guide, Exhaust Valve Note: 231218 Guide - Intake Valve (Brass)	41	91084
9 231597	Bushing, Governor Crank (1/4" ID)	42	291675
10 27803	Gasket, Valve Cover	43	490452
11 391406	Breather Assembly	44	490927
12 280100	Tube, Breather	45	92613
13 93394	Screw, Sem	46	231082
14 491490	Cover, Cylinder Head	47	491323
15 94160	Pin, Eccentric	48	93307
16 262243	Eccentric	49	93306
17 490466	Crankshaft Note: Order Part Number 94196 for Timing Gear	50	231058
18 222698	Key, Flywheel	51	222450
19 262135	Gear, Timing	52	212359
20 262247	Valve, Intake	53	93875
21 65906	Spring, Intake Valve	54	298909
22 221596	Retainer, Intake Valve	55	399891
23 262246	Valve, Exhaust	56	490815
24 26828	Spring, Exhaust Valve	57	398525
25 93630	Retainer, Exhaust Valve Rotocoil (2)	58	92791
26 292260	Rotocoil, Exhaust Valve	59	93722
27 212897	Gear, Cam	60	90576
28 802592	Plug, Spark (1 1/2" high - 37-42 mm)	61	26157
29 66538	Elbow, Spark Plug	62	90200
30 89838	Wrench, Spark Plug	63	93572
31 93723	Screw, Cylinder Head (3" long)	64	260695
32 222299	Lock, Connecting Rod Screw	65	390784
33 92909	Screw, Connecting Rod	66	221535
34 490348	Rod Assembly, Connecting Note: For Connecting Rod with .020" undersize Crankpin Bore - Order No. 490469	67	93496
35 260924	Lock, Piston Pin	68	260584
36 299691	Pin Assembly, Piston - Standard	69	262348
391286	Pin Assembly, Piston - .005 O.S.	70	223715
37 394665	Ring Set, Piston - Standard	71	271866
391781	Ring Set, Piston - .010" O.S.	72	262248
391782	Ring Set, Piston - .020" O.S.	73	491491
391783	Ring Set, Piston - .030" O.S.		

NOTE: All component dimensions given in U.S. inches
1 inch = 25.4 mm

REPAIR PARTS

12 HP 38" RIDING LAWN TRACTOR - - MODEL NUMBER 917.257360
 BRIGGS & STRATTON ENGINE - MODEL NUMBER 281707, TYPE 0412-01



34 - Carburetor Overhaul Kit

REPAIR PARTS

12 HP 38" RIDING LAWN TRACTOR - - MODEL NUMBER 917.257360

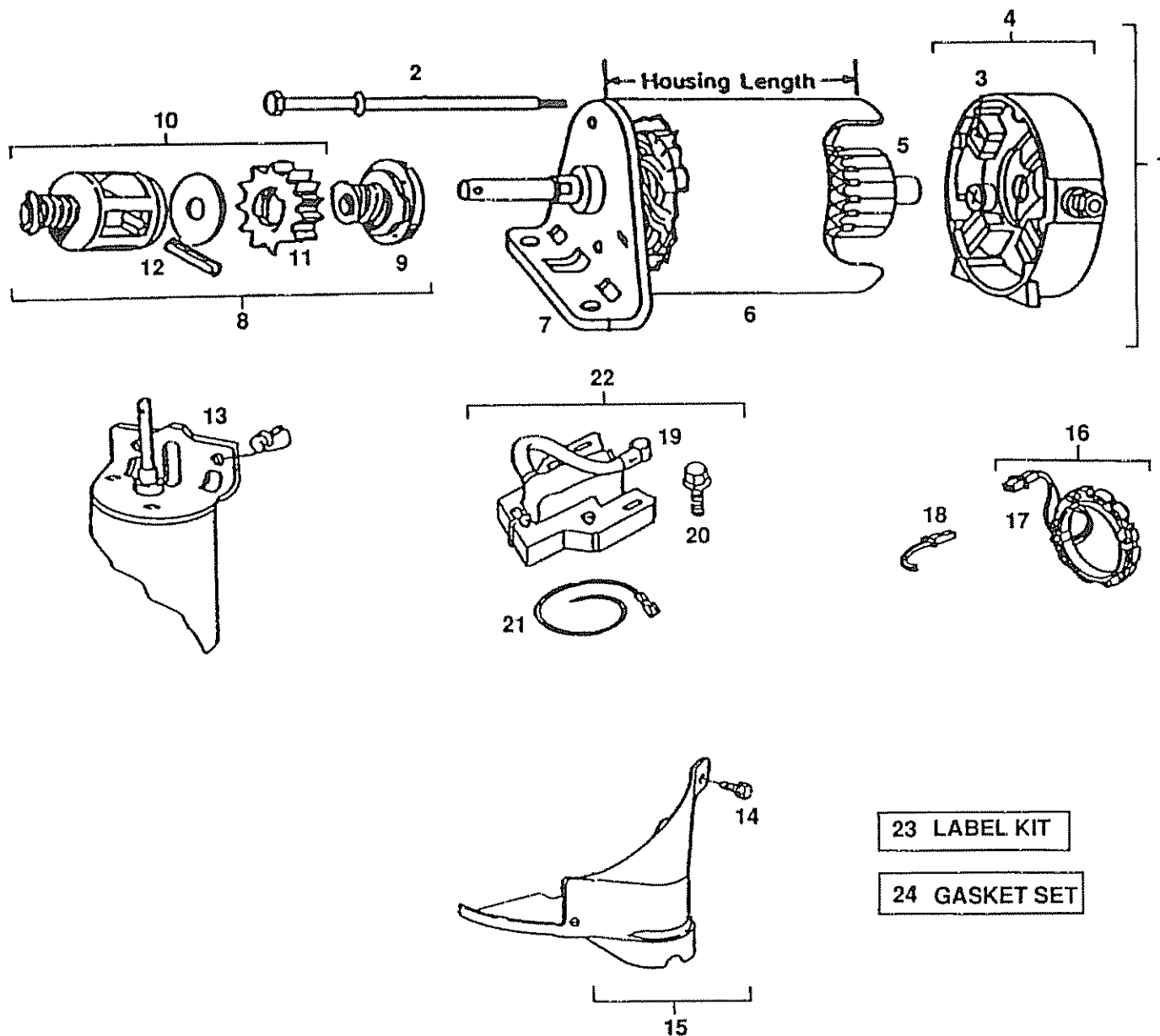
BRIGGS & STRATTON ENGINE - MODEL NUMBER 281707, TYPE 0412-01

KEY PART NO. NO.	DESCRIPTION	KEY PART NO. NO.	DESCRIPTION
1 490689	Housing, Blower	41 93499	Screw, Throttle and Choke Valve Mtg. Sem
2 93158	Screw, Blower Housing Mounting Sem	42 211712	Stop, Throttle
3 93705	Screw, Hex Hd.	43 261116	Spring, Choke Return
4 223752	Guard, Flywheel	44 299740	Nozzle, Carburetor
5 19203	Puller, Flywheel	45 93043	Pin, Throttle Stop
6 93535	Screw, Sem 3/4" Long	46 292681	Valve Assembly, Carburetor Idle
7 223726	Retainer, Fan	47 271853	Washer, Throttle Shaft Seal (Foam)
8 280687	Fan, Flywheel	48 398970	Seal, Throttle Shaft
9 492326	Flywheel and Ring Gear Assy. - Magneto	49 491006	Shaft and Lever, Throttle
10 392134	Gear, Ring (Includes Mounting Parts)	50 270511	Gasket, Flat Bowl
11 93805	Screw, Sem	51 299707	Float, Carburetor
12 222562	Screen, Flush Rotating	52 222433	Valve, Throttle
13 280848	Spacer	53 390818	Pump, Impulse
14 92284	Nut, Hex	54 93357	Screw, Carburetor
15 220865	Washer, Spring	55 491031	Carburetor Assembly
16 222561	Cup, Screen Mounting	56 221995	Bowl, Float
17 490327	Cap and Dipstick, Oil Filter	57 231323	Screw, Nozzle
18 270920	Seal, Oil Filler Cap	58 222014	Washer, Float Bowl
19 93572	Screw, Clamp Mounting	59 396568	Valve, Needle
20 223721	Clamp, Oil Filler Tube	60 221997	Plug, Welch
21 490474	Fill Group, Oil	61 490473	Body Assembly, Carburetor
22 280741	Tube, Oil Filler	62 93572	Screw, Carburetor
23 68838	Seal, Filler Tube	63 394682	Valve, Fuel Inlet
24 94248	Stud, Air Cleaner	64 230896	Pin, Float Hinge
25 212706	Knob, Air Cleaner	65 222311	Bracket, Carburetor
26 94246	Stud, Air Cleaner	66 67218	Connector, Fuel Pipe
27 223700	Cover, Air Cleaner	67 394462	Repair Kit, Pump
28 231532	Nut, Air Cleaner Mtg.	68 93053	Clamp, Fuel Pipe
30 491519	Cartridge, Air Cleaner	69 393815	Fuel Line (11" Long)
31 490332	Body, Air Cleaner	70 289090	Filter, Fuel (In Fuel Line)
32 270853	Gasket, Air Cleaner	71 261610	Link, Choke
33 94018	Screw, Air Cleaner Sem	72 93621	Screw, Sem
34 394698	Carburetor Overhaul Lit	73 270872	Gasket, Carburetor Mounting
35 270382	Washer, Choke Shaft		
36 222010	Valve, Choke		
37 390684	Shaft and Lever, Choke		
38 211960	Venturi, Carburetor		
39 91920	Screw, Machine Fil Hd. 8-32 x 5/8"		
40 26157	Spring, Throttle Adjustment		

NOTE: All component dimensions given in U.S. inches
1 inch = 25.4 mm

REPAIR PARTS

12 HP 38" RIDING LAWN TRACTOR - - MODEL NUMBER 917.257360
 BRIGGS & STRATTON ENGINE - MODEL NUMBER 281707, TYPE 0412-01



23 LABEL KIT

24 GASKET SET

KEY PART NO. NO.	DESCRIPTION
1 394805	Motor and Drive Assembly 12V, 4-3/8" Housing Length
2 94003	Thru Bolt Assembly
3 395538	Brush Assembly
4 395537	* End Cap Assembly Commutator
5 390837	Armature Assembly
6 393825	Housing Assembly
7 394857	Drive End Cap Assembly
8 490421	Drive Assembly
9 398003	Clutch Assembly
10 490476	Retainer and Pin
11 280104	Gear
12 94288	Roll Pin
13 93535	Screw, Sem
14 93984	Screw, Sem
15 490324	Cover, Starter (Includes Mounting Screws)

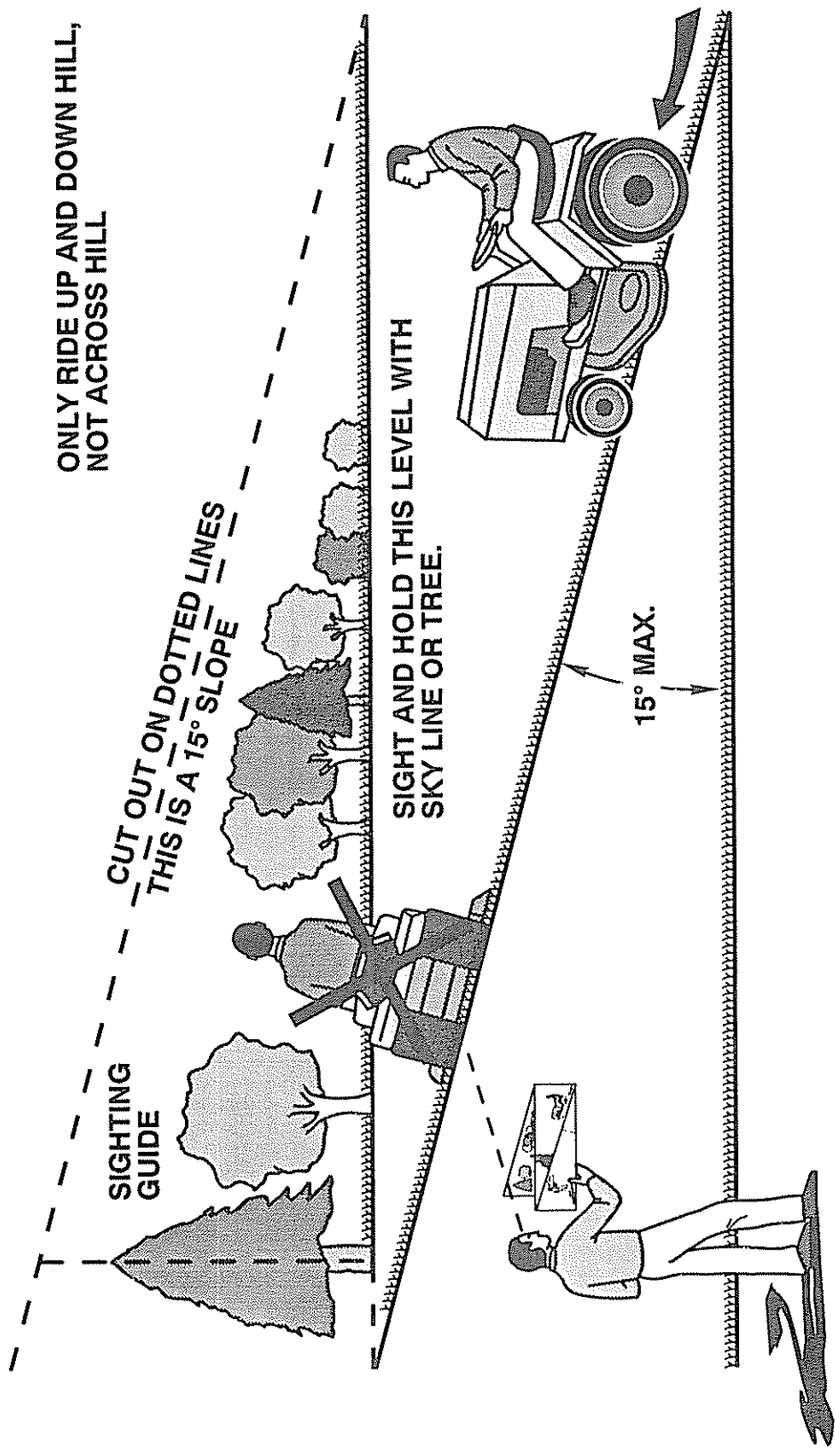
KEY PART NO. NO.	DESCRIPTION
16 393474	Stator, Alternator (Dual Circuit)
17 393456	Diode and Connector Assembly (Dual Circuit)
18 393362	Alternator Harness Assembly (Dual Circuit)
19 221798	Terminal, Ignition
20 93381	Screw, Armature Mounting Sem
21 398808	Wire, Ground
22 492341	Armature, Magneto
23 491252	Decal, Label Kit
24 490525	Gasket Set

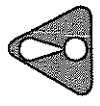
* Includes Brush Set

NOTE: All component dimensions given in U.S. inches
 1 inch = 25.4 mm

SLOPE SHEET

SUGGESTED GUIDE FOR SIGHTING SLOPES FOR SAFE OPERATION



 Operate your Tractor up and down the face of slopes (not greater than 15°), never across the face. Make turns gradually to prevent tipping or loss of control. Exercise extreme caution when changing direction on slopes.

SEARS
OWNER'S
MANUAL

MODEL NO.
917.257360

**HOW TO ORDER
REPAIR PARTS**

CRAFTSMAN[®]
12.0 HP IC
ELECTRIC START
38" MOWER
AUTOMATIC (HYDROSTATIC)
LAWN TRACTOR

Each tractor has its own model number. Each engine has its own model number.

The model number for your tractor will be found on the model plate located under the seat.

The model number for your engine will be found on the blower housing.

All parts listed herein may be ordered from any Sears, Roebuck and Co. Service Centers and most Retail Stores.

WHEN ORDERING REPAIR PARTS, ALWAYS GIVE THE FOLLOWING INFORMATION:

- **PRODUCT - LAWN TRACTOR**
- **MODEL NUMBER - 917.257360**
- **ENGINE MODEL NUMBER - 281707, TYPE NUMBER 0412-01**
- **PART NUMBER**
- **PART DESCRIPTION**

Your Sears merchandise has added value when you consider Sears has service units nationwide staffed with Sears trained technicians... professional technicians specifically trained to insure that we meet our pledge to you, we service what we sell.

Sears, Roebuck and Co., Chicago, IL 60684 U.S.A.

Free Manuals Download Website

<http://myh66.com>

<http://usermanuals.us>

<http://www.somanuals.com>

<http://www.4manuals.cc>

<http://www.manual-lib.com>

<http://www.404manual.com>

<http://www.luxmanual.com>

<http://aubethermostatmanual.com>

Golf course search by state

<http://golfingnear.com>

Email search by domain

<http://emailbydomain.com>

Auto manuals search

<http://auto.somanuals.com>

TV manuals search

<http://tv.somanuals.com>