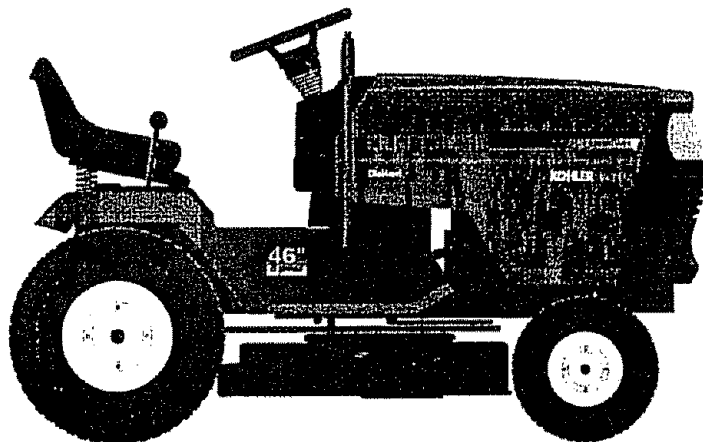


*SEARS*  
**CRAFTSMAN<sup>®</sup>**

**MODEL NUMBER 917.258692 OWNER'S MANUAL**

- Assembly
- Operation
- Customer Responsibilities
- Service and Adjustments
- Repair Parts

**EZ<sup>3</sup>**



**CAUTION: Read and follow all safety rules and instructions before operating this equipment.**  
FOR CONSUMER ASSISTANCE HOT LINE, CALL THIS TOLL FREE NUMBER: 1-800-659-5917

Sears, Roebuck and Co., Hoffman Estates, IL 60179 U.S.A.



## SAFETY RULES



### Safe Operation Practices for Ride-On Mowers

**IMPORTANT: THIS CUTTING MACHINE IS CAPABLE OF AMPUTATING HANDS AND FEET AND THROWING OBJECTS. FAILURE TO OBSERVE THE FOLLOWING SAFETY INSTRUCTIONS COULD RESULT IN SERIOUS INJURY OR DEATH.**

#### I. GENERAL OPERATION

- Read, understand, and follow all instructions in the manual and on the machine before starting.
- Only allow responsible adults, who are familiar with the instructions, to operate the machine.
- Clear the area of objects such as rocks, toys, wire, etc., which could be picked up and thrown by the blade.
- Be sure the area is clear of other people before mowing. Stop machine if anyone enters the area.
- Never carry passengers.
- Do not mow in reverse unless absolutely necessary. Always look down and behind before and while backing.
- Be aware of the mower discharge direction and do not point it at anyone. Do not operate the mower without either the entire grass catcher or the guard in place.
- Slow down before turning.
- Never leave a running machine unattended. Always turn off blades, set parking brake, stop engine, and remove keys before dismounting.
- Turn off blades when not mowing.
- Stop engine before removing grass catcher or unclogging chute.
- Mow only in daylight or good artificial light.
- Do not operate the machine while under the influence of alcohol or drugs.
- Watch for traffic when operating near or crossing roadways.
- Use extra care when loading or unloading the machine into a trailer or truck.

#### II. SLOPE OPERATION

Slopes are a major factor related to loss-of-control and tipover accidents, which can result in severe injury or death. All slopes require extra caution. If you cannot back up the slope or if you feel uneasy on it, do not mow it.

##### DO:

- Mow up and down slopes, not across.
- Remove obstacles such as rocks, tree limbs, etc.
- Watch for holes, ruts, or bumps. Uneven terrain could overturn the machine. *Tall grass can hide obstacles.*
- Use slow speed. Choose a low gear so that you will not have to stop or shift while on the slope.
- Follow the manufacturer's recommendations for wheel weights or counterweights to improve stability.\*
- Use extra care with grass catchers or other attachments. These can change the stability of the machine.
- Keep all movement on the slopes *slow and gradual*. Do not make sudden changes in speed or direction.
- Avoid starting or stopping on a slope. If tires lose traction, disengage the blades and proceed slowly *straight* down the slope.

##### DO NOT:

- *Do not* turn on slopes unless necessary, and then, turn slowly and gradually downhill, if possible.
- *Do not* mow near drop-offs, ditches, or embankments. The mower could suddenly turn over if a wheel is over the edge of a cliff or ditch, or if an edge caves in.
- *Do not* mow on wet grass. Reduced traction could cause sliding.
- *Do not* try to stabilize the machine by putting your foot on the ground.
- *Do not* use grass catcher on steep slopes.

#### III. CHILDREN

Tragic accidents can occur if the operator is not alert to the presence of children. Children are often attracted to the machine and the mowing activity. *Never* assume that children will remain where you last saw them.

- Keep children out of the mowing area and under the watchful care of another responsible adult.
- Be alert and turn machine off if children enter the area.
- Before and when backing, look behind and *down* for small children.
- Never carry children. They may fall off and be seriously injured or interfere with safe machine operation.
- Never allow children to operate the machine.
- Use extra care when approaching blind corners, shrubs, trees, or other objects that may obscure vision.

#### IV. SERVICE

- Use extra care in handling gasoline and other fuels. They are flammable and vapors are explosive.
  - Use only an approved container.
  - Never remove gas cap or add fuel with the engine running. Allow engine to cool before refueling. Do not smoke.
  - Never refuel the machine indoors.
  - Never store the machine or fuel container inside where there is an open flame, such as a water heater.
- Never run a machine inside a closed area.
- Keep nuts and bolts, especially blade attachment bolts, tight and keep equipment in good condition.
- Never tamper with safety devices. Check their proper operation regularly.
- Keep machine free of grass, leaves, or other debris build-up. Clean oil or fuel spillage. Allow machine to cool before storing.
- Stop and inspect the equipment if you strike an object. Repair, if necessary, before restarting.
- Never make adjustments or repairs with the engine running.
- Grass catcher components are subject to wear, damage, and deterioration, which could expose moving parts or allow objects to be thrown. Frequently check components and replace with manufacturer's recommended parts, when necessary.
- Mower blades are sharp and can cut. Wrap the blade(s) or wear gloves, and use extra caution when servicing them.
- Check brake operation frequently. Adjust and service as required.



**Look for this symbol to point out important safety precautions. It means CAUTION!!! BECOME ALERT!!! YOUR SAFETY IS INVOLVED.**



**CAUTION: Always disconnect spark plug wire and place wire where it cannot contact spark plug in order to prevent accidental starting when setting up, transporting, adjusting or making repairs.**

### **WARNING**

**The engine exhaust from this product contains chemicals known to the State of California to cause cancer, birth defects, or other reproductive harm.**

**CONGRATULATIONS** on your purchase of a Sears Tractor. It has been designed, engineered and manufactured to give you the best possible dependability and performance.

Should you experience any problem you cannot easily remedy, please contact your nearest Sears Authorized Service Center/Department. We have competent, well-trained technicians and the proper tools to service or repair this tractor.

Please read and retain this manual. The instructions will enable you to assemble and maintain your tractor properly. Always observe the "SAFETY RULES".

MODEL NUMBER	917 258692
SERIAL NUMBER	_____
DATE OF PURCHASE	_____
THE MODEL AND SERIAL NUMBERS WILL BE FOUND ON A PLATE UNDER THE SEAT.	
YOU SHOULD RECORD BOTH SERIAL NUMBER AND DATE OF PURCHASE AND KEEP IN A SAFE PLACE FOR FUTURE REFERENCE.	

### MAINTENANCE AGREEMENT

A Sears Maintenance Agreement is available on this product. Contact your nearest Sears store for details.

### CUSTOMER RESPONSIBILITIES

- Read and observe the safety rules.
- Follow a regular schedule in maintaining, caring for and using your tractor.
- Follow the instructions under "Customer Responsibilities" and "Storage" sections of this owner's manual.

### PRODUCT SPECIFICATIONS

HORSEPOWER:	18.0
GASOLINE CAPACITY AND TYPE:	3.5 GALLONS UNLEADED REGULAR
OIL TYPE (API-SF/SG/SH):	SAE 30 (above 32°F) SAE 5W-30 (below 32°F)
OIL CAPACITY:	W/ FILTER: 4.0 PINTS W/O FILTER: 3.5 PINTS
SPARK PLUG: (GAP: .025")	CHAMPION RV17YC
VALVE CLEARANCE:	INTAKE: .003" - .006" EXHAUST: .013" - .016"
GROUND SPEED (MPH):	FORWARD: 5.5 REVERSE: 2.4
TIRE PRESSURE:	FRONT: 14 PSI REAR: 10 PSI
CHARGING SYSTEM:	15 AMPS @ 3600 RPM
BATTERY:	AMP/HR: 30 MIN. CCA: 240 CASE SIZE: U1R
BLADE BOLT TORQUE:	30-35 FT LBS

**WARNING:** This tractor is equipped with an internal combustion engine and should not be used on or near any unimproved forest-covered, brush-covered or grass-covered land unless the engine's exhaust system is equipped with a spark arrester meeting applicable local or state laws (if any). If a spark arrester is used, it should be maintained in effective working order by the operator.

In the state of California the above is required by law (Section 4442 of the California Public Resources Code). Other states may have similar laws. Federal laws apply on federal lands. A spark arrester for the muffler is available through your nearest Sears Authorized Service Center/Department. (See REPAIR PARTS section of this manual).

### LIMITED TWO YEAR WARRANTY ON CRAFTSMAN RIDING EQUIPMENT

For two (2) years from the date of purchase, if this Craftsman Riding Equipment is maintained, lubricated and tuned up according to the instructions in the owner's manual, Sears will repair or replace, free of charge, any parts found to be defective in material or workmanship.

This Warranty does not cover:

- Expendable items which become worn during normal use, such as blades, spark plugs, air cleaners, belts, etc.
- Tire replacement or repair caused by punctures from outside objects, such as nails, thorns, stumps, or glass.
- Repairs necessary because of operator abuse, negligence, improper storage or accident or the failure to maintain the equipment according to the instructions contained in the owner's manual.
- Riding equipment used for commercial or rental purposes.

### LIMITED 90 DAY WARRANTY ON BATTERY

For ninety (90) days from date of purchase, if any battery included with this riding equipment proves defective in material or workmanship and our testing determines the battery will not hold a charge, Sears will replace the battery at no charge.

IN-HOME WARRANTY SERVICE ON YOUR CRAFTSMAN RIDING EQUIPMENT IS AVAILABLE AT NO-CHARGE FOR 30 DAYS FROM THE DATE OF PURCHASE. PLEASE CONTACT YOUR NEAREST SERVICE CENTER. AFTER 30 DAYS FROM THE DATE OF PURCHASE, WARRANTY SERVICE IS AVAILABLE BY TAKING YOUR CRAFTSMAN RIDING EQUIPMENT TO YOUR NEAREST SEARS SERVICE CENTER. (IN-HOME WARRANTY SERVICE WILL STILL BE AVAILABLE AFTER 30 DAYS FROM THE DATE OF PURCHASE BUT A STANDARD TRIP CHARGE WILL APPLY.) THIS WARRANTY APPLIES ONLY WHILE THIS PRODUCT IS IN THE UNITED STATES.

This Warranty gives you specific legal rights, and you may also have other rights which may vary from state to state.

SEARS, ROEBUCK AND CO., D/817 WA, HOFFMAN ESTATES, IL 60179

# TABLE OF CONTENTS



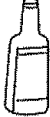

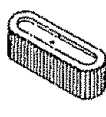


SAFETY RULES .....	2	MAINTENANCE SCHEDULE .....	16
PRODUCT SPECIFICATIONS .....	3	SERVICE AND ADJUSTMENTS .....	20-25
CUSTOMER RESPONSIBILITIES .....	3, 16-19	STORAGE .....	26
WARRANTY .....	3	TROUBLESHOOTING .....	27-28
TRACTOR ACCESSORIES .....	5	REPAIR PARTS - TRACTOR .....	30-47
ASSEMBLY .....	7-10	REPAIR PARTS - ENGINE .....	48-57
OPERATION .....	11-15	PARTS ORDERING/SERVICE .....	BACK COVER

## INDEX

<b>A</b>	Engine:	Operating Mower .....	14
Accessories .....	Air Filter .....	Options:	
Adjustments:	Air Screen .....	Accessories .....	5
Brake .....	Cooling Fins .....	Spark Arrester .....	3,38
Carburetor .....	Oil Change .....		
Mower	Oil Level .....	<b>P</b>	
Front-To-Back .....	Oil Type .....	Parking Brake .....	12-13
Side-To-Side .....	Preparation .....	Parts Bag .....	6
Throttle Control Cable .....	Repair Parts .....	Parts, Replacement/Repair .....	30-47
Air Filter, Engine .....	Starting .....	Product Specifications .....	3
Air Screen, Engine .....	Storage .....		
Assembly .....			
	<b>F</b>		
<b>B</b>	Filter:	<b>R</b>	
Battery:	Air Filter .....	Repair Parts .....	30-47
Charging .....	Fuel .....		
Cleaning .....		<b>S</b>	
Starting with Weak Battery .....	Fuel:	Safety Rules .....	2
Storage .....	Type .....	Seat .....	8
Terminals .....	Storage .....	Service and Adjustments .....	20-25
	Fuse .....	Carburetor .....	25
<b>Belt:</b>		Fuse .....	24
Motion Drive	<b>H</b>	Hood Removal/Installation .....	24
Removal/Replacement .....	Hood Removal/Installation .....	Motion Drive Belt	
Mower Belt(s)		Removal/Replacement .....	23
Removal/Replacement .....	<b>L</b>	Mower Belt(s)	
	Leveling Mower Deck .....	Removal/Replacement .....	22
<b>Blade:</b>	Lubrication:	Mower Adjustment	
Sharpening .....	Chart .....	Front-to-Back .....	21
Replacement .....	Engine .....	Side-to-Side .....	20
Brake Adjustment .....		Mower Removal/Installation .....	20
		Tire Care .....	8,17,23
<b>C</b>	<b>M</b>	Slope Guide Sheet .....	59
Carburetor Adjustment .....	Maintenance Schedule .....	Spark Plug(s) .....	19
Controls, Tractor .....	Mower:	Specifications .....	3
Customer Responsibilities .....	Adjustment, Front-to-Back .....	Starting the Engine .....	14-15
Engine:	Adjustment, Side-to-Side .....	Steering Wheel .....	7,23
Air Filter .....	Blade Replacement .....	Stopping the Tractor .....	13
Air Screen .....	Blade Sharpening .....	Storage .....	26
Cooling Fins .....	Cutting Height .....		
Engine Oil .....	Installation .....	<b>T</b>	
Fuel Filter .....	Operation .....	Throttle Control Cable Adjustment .....	25
Spark Plug(s) .....	Removal .....	Tires .....	8,17,23
Tractor:	Mowing Tips .....	Troubleshooting Chart .....	27-28
Battery .....	Muffler .....	Transaxle .....	18
Blade .....	Spark Arrester .....		
Lubrication Chart .....		<b>W</b>	
Maintenance Schedule .....		Warranty .....	3
Tire Care .....	<b>O</b>	Wiring Diagram .....	30
Transaxle .....	Oil:	Wiring Schematic .....	29
Cutting Height, Mower .....	Cold Weather Conditions .....		
	Engine .....		
<b>E</b>	Storage .....		
Electrical:	Operation .....		
Interlocks and Relays .....			
Schematic .....			
Wiring Diagram .....			

# ACCESSORIES AND ATTACHMENTS

These accessories and attachments were available through most Sears retail outlets and service centers when the tractor was purchased. Most Sears stores can order these items for you when you provide the model number of your tractor.

ENGINE					MAINTENANCE	
SPARK PLUG	GAS CAN	ENGINE OIL	FUEL STABILIZER	AIR FILTER	BLADES	BELTS
						

## PERFORMANCE

Sears offers a wide variety of attachments that fit your tractor. Many of these are listed below with brief explanations of how they can help you. This list was current at the time of publication; however, it may change in future years - more attachments may be added, changes may be made in these attachments, or some may no longer be available or fit your model. **Contact your nearest Sears store for the accessories and attachments that are available for your tractor.**

Most of these attachments do not require additional hitches or conversion kits (those that do are indicated) and are designed for easy attaching and detaching.

**AERATOR** promotes deep root growth for a healthy lawn. Tapered 2.5-inch steel spikes mounted on 10-inch diameter discs puncture holes in soil at close intervals to let moisture soak in. Steel weight tray for increased penetration.

**BAGGER** lets you collect grass clippings and leaves for a healthier, neater looking lawn. Two Permanex containers hold 30-gallon plastic bags.

**BUMPER** protects front end of tractor from damage.

**CARTS** make hauling easy. Variety of sizes available, plus accessories such as side panel kits, tool caddy, cart cover, protective mat and dolly.

**CORING AERATOR** takes small plugs out of soil to allow moisture and nutrients to reach grass roots. 36-inch swath. 24 hardened steel coring tips. 150 lb. capacity weight tray.

**EASY OIL DRAIN VALVE** makes oil changes easier, faster.

**FRONT NOSE ROLLER** canters in front of mower deck to reduce chances of "scalping" on uneven terrain.

**GANG HITCH** lets you tow 2 or 3 pull-behind attachments at once, such as sweepers, dethatchers, aerators (not for use with rollers, carts or other heavy attachments).

**GAUGE WHEELS** on both sides of the mower deck reduce chances of "scalping" on uneven terrain. For mower decks not so equipped.

**MULCH RAKE/DETHATCHER** loosens soil and flips thatch and matted leaves to lawn surface for easy pickup. Twenty spring tine teeth. Useful to prepare bare areas for seeding. Available for front or rear mounting.

**HIGH PERFORMANCE REEL-ACTION SPRING TINE DETHATCHER** covers 36-inch wide path and tosses thatch into large hopper. Mounts behind tractor.

**MULCHING CLOSE-OUT PLATE KIT**, once installed, lets you mulch, discharge or bag clippings (bagger optional) without changing blades. For models not equipped as 3-in-1 Convertible mowers. See "MOWER" in the Repair Parts section of this manual.

**RAMP TOPS AND FEET** let you load and unload tractor from a pickup truck. Use with 2 x 8 or 2 x 10 lumber.

**ROLLER** for smoother lawn surface. 36-inch wide, 18-inch diameter water-tight drum holds up to 390 lbs. of weight. Rounded edges prevent harm to turf. Adjustable scraper automatically cleans drum.

**SNOW BLADE** for snow removal only. 14-inch high, 48-inch wide blade clears 42-inch path when angled left or right. Raises, lowers with side lever. Adjustable skids; replaceable, reversible scraper bar. (Use with tire chains and wheel weights and/or rear drawbar weight.)

**SNOWTHROWER** has 40-inch swath. Drum-type auger handles powdery and wet/heavy snow. Mounts easily with simple pin arrangement. Discharge chute adjusts from tractor seat. 6-inch diameter spout discharges snow 10 to 50 feet. Lift controlled at tractor seat. (Use with chains and wheel weights and/or rear drawbar weight.)

**SPRAYERS** use 12-volt DC electric motor that connects to the tractor battery or other 12-volt source. Includes booms for automatic spraying and hand held wand for spot spraying. Wand has adjustable spray pattern. For applying herbicides, insecticides, fungicides and liquid fertilizers.

**SPREADER/SEEDERS** make seeding, fertilizing, and weed killing easy. Broadcast spreaders are also useful for granular deicers and sand.

**SWEEPERS** let you collect grass clippings and leaves.

**TILLER** has 5 hp engine and 36-inch swath to prepare seed beds, cultivate and compost garden residue. Tiller has its own built-in lift and depth control system and does NOT require a sleeve hitch. Fits any lawn, yard or garden tractor. Simply hook up to the tractor drawbar and go! **Optional accessories** convert unit for dethatching, aerating, hilling, without tools.

**TIRE CHAINS** are heavy duty; closely spaced extra-large cross links give smooth ride, outstanding traction.

**TRACTOR CAB** has heavy duty vinyl fabric over tubular steel frame, ABS plastic top; clear plastic windshield offers 360 degree visibility. Hinged metal doors with catch. Keeps operator warm and dry. Remove vinyl sides and windshields for use as sun protector in summer. **Optional accessories include:** tinted/tempered solid safety glass windshield with hand operated wiper; 12-volt amber caution light for mounting on cab top.

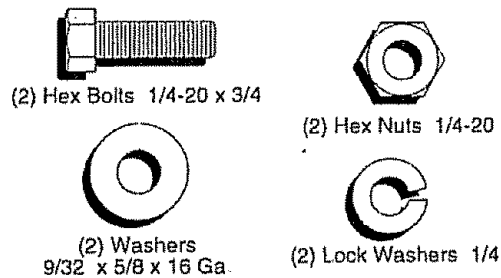
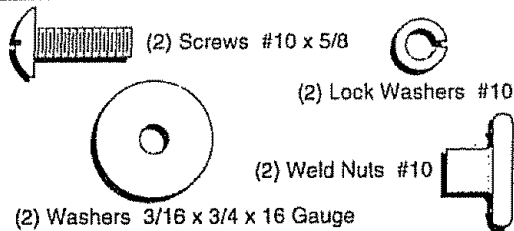
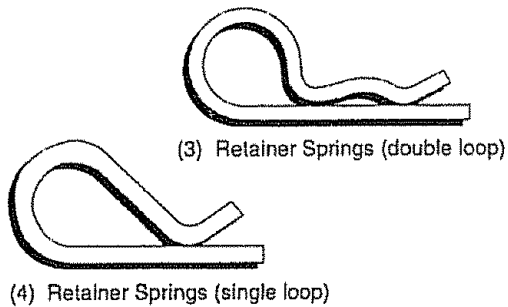
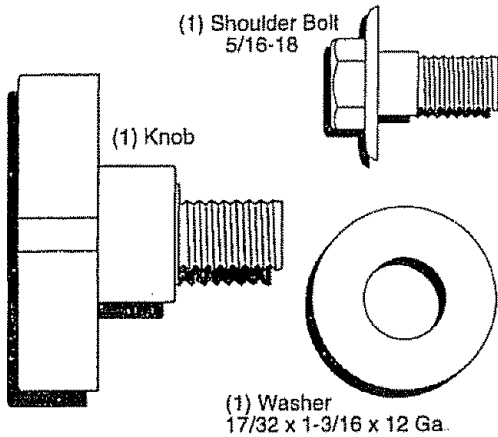
**VACS** for powerful collection of heavy grass clippings and leaves. **Optional wand attachment** to pick up debris in hard-to-reach places. **VAC/CHIPPER** includes a chipper-shredder.

**WEIGHT BRACKET** for drawbar for snow removal applications. Uses (1) 55 lb. weight.

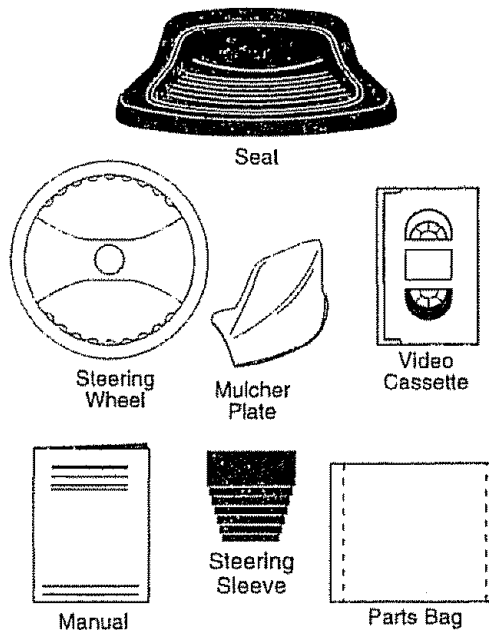
**WHEEL WEIGHTS** for rear wheels provide needed traction for snow removal or dozing heavy materials.

# CONTENTS OF HARDWARE PACK

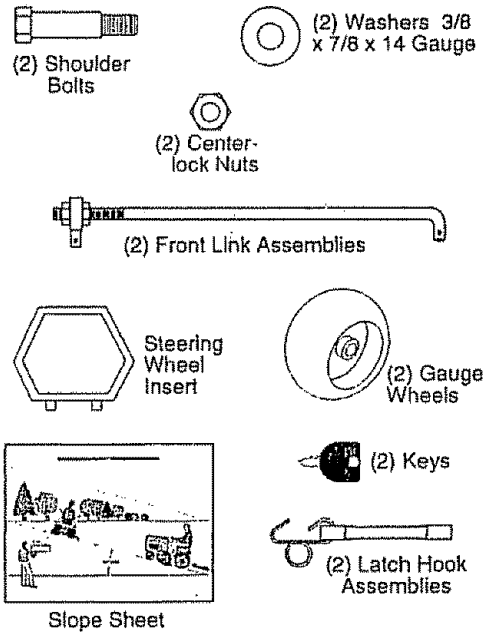
## Parts Bag contents shown full size



## Parts packed separately in carton



## Parts bag contents not shown full size



# ASSEMBLY

Your new tractor has been assembled at the factory with exception of those parts left unassembled for shipping purposes. To ensure safe and proper operation of your tractor all parts and hardware you assemble must be tightened securely. Use the correct tools as necessary to insure proper tightness.

## TOOLS REQUIRED FOR ASSEMBLY

A socket wrench set will make assembly easier. Standard wrench sizes are listed.

- |                                 |                      |
|---------------------------------|----------------------|
| (2) 7/16" wrenches              | Pliers               |
| (1) 9/16" wrench                | Tire pressure gauge  |
| (1) 3/4" Socket w/drive ratchet | Phillips Screwdriver |
| Utility knife                   |                      |

When right or left hand is mentioned in this manual, it means when you are in the operating position (seated behind the steering wheel).

## TO REMOVE TRACTOR FROM CARTON

### UNPACK CARTON

- Remove all accessible loose parts and parts cartons from carton (See page 6).
- Cut, from top to bottom, along lines on all four corners of carton, and lay panels flat.
- Remove mower and packing materials.
- Check for any additional loose parts or cartons and remove.

## BEFORE ROLLING TRACTOR OFF SKID

### ATTACH STEERING WHEEL (See Fig. 1)

- Remove locknut and large flat washer from steering shaft.
- Position front wheels of the tractor so they are pointing straight forward.
- Slide the steering sleeve over the steering shaft.
- Position steering wheel so cross bars are horizontal (left to right) and slide onto adapter.
- Secure steering wheel to steering shaft with locknut and large flat washer previously removed. Tighten securely.
- Snap steering wheel insert into center of steering wheel.
- Remove protective materials from tractor hood and grill.

**IMPORTANT:** CHECK FOR AND REMOVE ANY STAPLES IN SKID THAT MAY PUNCTURE TIRES WHERE TRACTOR IS TO ROLL OFF SKID

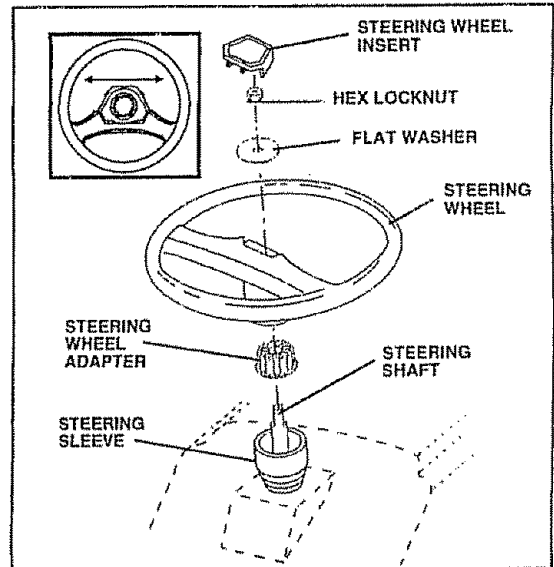


FIG. 1

### TO ROLL TRACTOR OFF SKID (See Operation section for location and function of controls)

- Press lift lever plunger and raise attachment lift lever to its highest position.
- Release parking brake by depressing clutch/brake pedal.
- Place freewheel control in freewheeling position to disengage transmission (See "TO TRANSPORT" in the Operation section of this manual).
- Roll tractor backwards off skid.

# ASSEMBLY

## HOW TO SET UP YOUR TRACTOR

### CONNECT BATTERY (See Fig. 2)



**CAUTION:** Do not short battery terminals by allowing a wrench or any other object to contact both terminals at the same time. Before connecting battery, remove metal bracelets, wristwatch bands, rings, etc.

Positive terminal must be connected first to prevent sparking from accidental grounding.

- Lift hood to raised position
- Open terminal access doors, remove terminal protective caps and discard.
- If this battery is put into service after month and year indicated on label (label located between terminals) charge battery for minimum of one hour at 6-10 amps.
- First connect RED battery cable to positive (+) battery terminal with hex bolt, flat washer, lock washer and hex nut as shown. Tighten securely.
- Connect BLACK grounding cable to negative (-) battery terminal with remaining hex bolt, flat washer, lock washer and hex nut. Tighten securely.
- Close terminal access doors.

Use terminal access doors for:

- Inspection for secure connections (to tighten hardware).
- Inspection for corrosion
- Testing battery.
- Jumping (if required).
- Periodic charging.

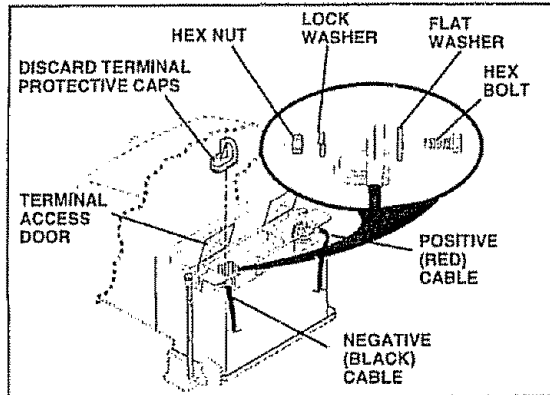


FIG. 2

### INSTALL SEAT (See Fig. 3)

Adjust seat before tightening adjustment knob.

- Remove cardboard packing on seat pan.
- Place seat on seat pan and assemble shoulder bolt.
- Assemble adjustment knob and flat washer loosely. Do not tighten.
- Tighten shoulder bolt securely.
- Lower seat into operating position and sit on seat.
- Slide seat until a comfortable position is reached which allows you to press clutch/brake pedal all the way down.
- Get off seat without moving its adjusted position.
- Raise seat and tighten adjustment knob securely.

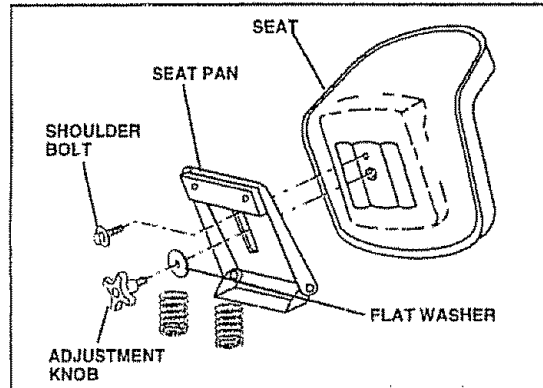


FIG. 3

### CHECK TIRE PRESSURE

The tires on your tractor were overinflated at the factory for shipping purposes. Correct tire pressure is important for best cutting performance.

- Reduce tire pressure to PSI shown in "PRODUCT SPECIFICATIONS" on page 3 of this manual.

### CHECK BRAKE SYSTEM

After you learn how to operate your tractor, check to see that the brake is properly adjusted. See "TO ADJUST BRAKE" in the Service and Adjustments section of this manual.



# ASSEMBLY

## INSTALL MOWER AND DRIVE BELT

(See Figs. 4 and 7)

Be sure tractor is on level surface and mower suspension arms are raised with attachment lift control. Engage parking brake.

- Cut and remove ties securing anti-sway bar and belts. Swing anti-sway bar to left side of mower deck.
- Slide mower under tractor with discharge guard to right side of tractor.

**IMPORTANT: CHECK BELT FOR PROPER ROUTING IN ALL MOWER PULLEY GROOVES. INSTALL BELT INTO ELECTRIC CLUTCH PULLEY GROOVE.**

- Install one front link in top hole of the R.H. front mower bracket and R.H. front suspension bracket. Retain with two single loop retainer springs as shown.
- Install second front link in L.H. front suspension bracket only and retain with single loop retainer spring as shown.
- Turn height adjustment knob counterclockwise until it stops
- Lower mower linkage with attachment lift control.
- Place the L.H. suspension arm on outward pointing deck pin. If necessary, rock and raise front of mower to align deck pin with the hole in suspension arm. Retain with double loop retainer spring with loops down as shown.
- Slide left side of mower back and install the unattached front link in top hole of the L.H. front mower bracket. Retain with single loop retainer spring as shown.

- Place the R.H. suspension arm on outward pointing deck pin. If necessary, rock and raise front of mower to align deck pin with the hole in suspension arm. Retain with double loop retainer spring with loops down as shown.
- Connect anti-sway bar to chassis bracket under left footrest and retain with double loop retainer spring.
- Turn height adjustment knob clockwise to remove slack from mower suspension.
- Raise mower to highest position.
- Assemble gauge wheels (See "TO ADJUST GAUGE WHEELS" in the Operation section of this manual).

## CHECK MOWER LEVELNESS

For best cutting results, mower should be properly leveled. See "TO LEVEL MOWER HOUSING" in the Service and Adjustments section of this manual.

## CHECK FOR PROPER POSITION OF ALL BELTS

See the figures that are shown for replacing motion, mower drive, and mower blade drive belts in the Service and Adjustments section of this manual. Verify that the belts are routed correctly.

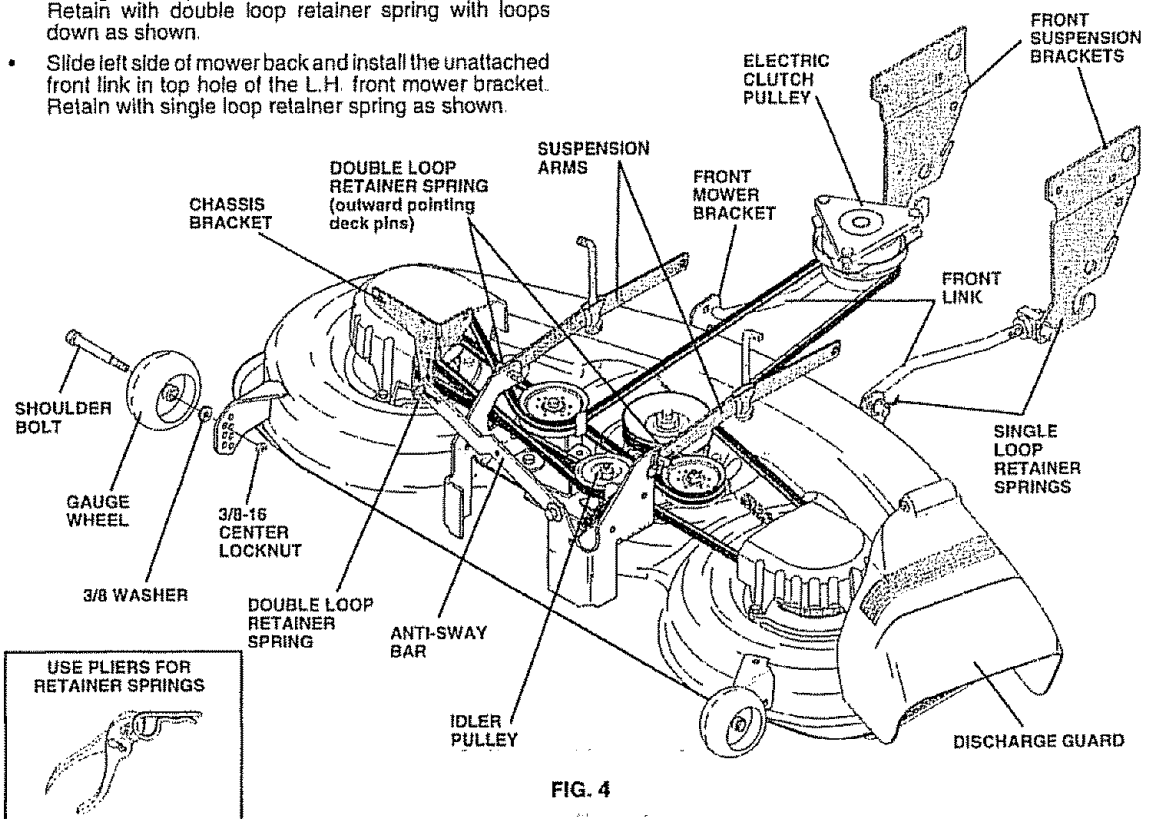


FIG. 4

# ASSEMBLY

## INSTALL MULCHER PLATE (See Figs. 5 and 6)

- Install two latch hooks to mulcher plate using screw, washer, lock washer, and weld nut as shown.

**NOTE:** Pre-assemble weld nut to latch hook by inserting weld nut from the top with hook pointing down.

- Tighten hardware securely.
- Raise and hold deflector shield in upright position.
- Place front of mulcher plate over front of mower deck opening and slide into place, as shown.
- Hook front latch into hole on front of mower deck.
- Hook rear latch into hole on back of mower deck.



**CAUTION:** Do not remove discharge guard from mower. Raise and hold guard when attaching mulcher plate and allow it to rest on plate while in operation.

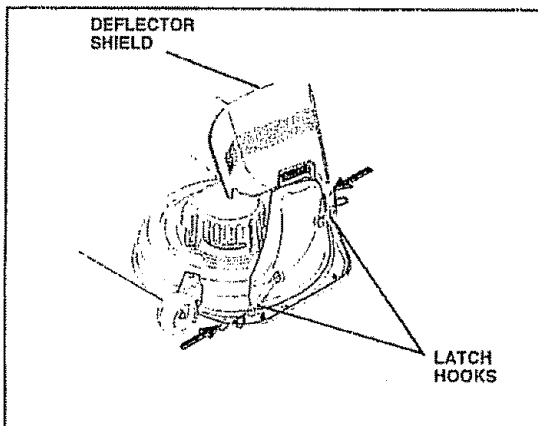


FIG. 6

## TO CONVERT TO BAGGING OR DISCHARGING

Simply remove mulcher plate and store in a safe place. Your mower is now ready for discharging or installation of optional grass catcher accessory.

**NOTE:** It is not necessary to change blades. The mulcher blades are designed for discharging and bagging also.

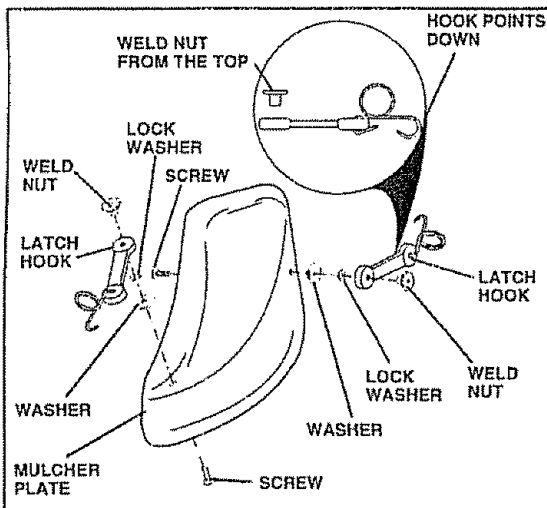


FIG. 5

## ✓ CHECKLIST

*BEFORE YOU OPERATE AND ENJOY YOUR NEW TRACTOR, WE WISH TO ASSURE THAT YOU RECEIVE THE BEST PERFORMANCE AND SATISFACTION FROM THIS QUALITY PRODUCT.*

*PLEASE REVIEW THE FOLLOWING CHECKLIST:*

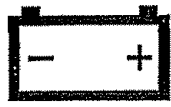
- ✓ All assembly instructions have been completed.
- ✓ No remaining loose parts in carton.
- ✓ Battery is properly prepared and charged. (Minimum 1 hour at 6 amps).
- ✓ Seat is adjusted comfortably and tightened securely.
- ✓ All tires are properly inflated. (For shipping purposes, the tires were overinflated at the factory).
- ✓ Be sure mower deck is properly leveled side-to-side/front-to-rear for best cutting results. (Tires must be properly inflated for leveling).
- ✓ Check mower and drive belts. Be sure they are routed properly around pulleys and inside all belt keepers.
- ✓ Check wiring. See that all connections are still secure and wires are properly clamped.
- ✓ Before driving tractor, be sure freewheel control is in drive position.

*WHILE LEARNING HOW TO USE YOUR TRACTOR, PAY EXTRA ATTENTION TO THE FOLLOWING IMPORTANT ITEMS:*

- ✓ Engine oil is at proper level.
- ✓ Fuel tank is filled with fresh, clean, regular unleaded gasoline.
- ✓ Become familiar with all controls - their location and function. Operate them before you start the engine.
- ✓ Be sure brake system is in safe operating condition.
- ✓ It is important to purge the transmission before operating your tractor for the first time. Follow proper starting and transmission purging instructions (See "TO START ENGINE" and "PURGE TRANSMISSION" in the Operation section of this manual).

# OPERATION

These symbols may appear on your tractor or in literature supplied with the product. Learn and understand their meaning.



BATTERY



CAUTION OR WARNING



REVERSE



FORWARD



FAST



SLOW



ENGINE ON



ENGINE OFF



OIL PRESSURE



CLUTCH



LIGHTS ON



LIGHTS OFF



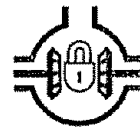
FUEL



CHOKE



MOWER HEIGHT



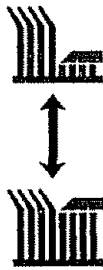
DIFFERENTIAL LOCK



PARKING BRAKE LOCKED



UNLOCKED



MOWER LIFT



REVERSE



NEUTRAL



HIGH



LOW



PARKING BRAKE



ATTACHMENT CLUTCH ENGAGED



ATTACHMENT CLUTCH DISENGAGED



IGNITION



DANGER, KEEP HANDS AND FEET AWAY



HYDROSTATIC FREE WHEEL  
(Hydro Models only)

# OPERATION

## KNOW YOUR TRACTOR

### READ THIS OWNER'S MANUAL AND SAFETY RULES BEFORE OPERATING YOUR TRACTOR.

Compare the illustrations with your tractor to familiarize yourself with the location of various controls and adjustments. Save this manual for future reference.

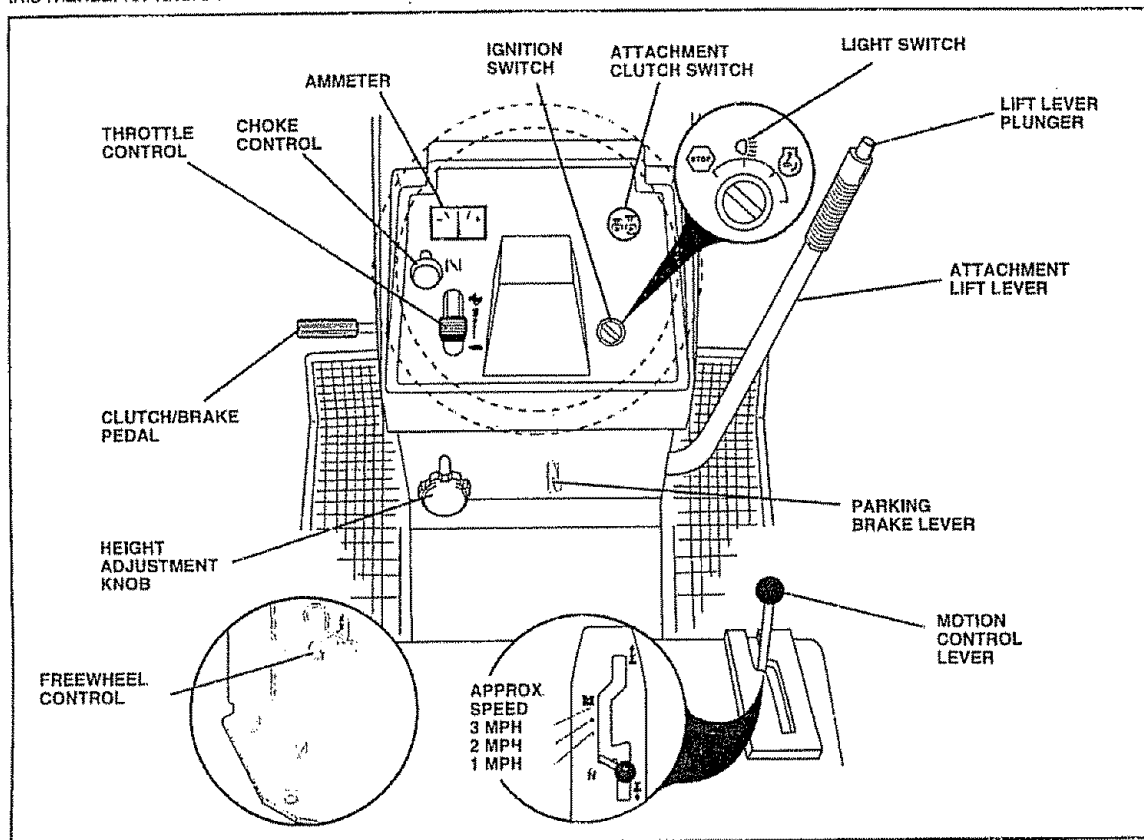


FIG. 7

Our tractors conform to the safety standards of the American National Standards Institute.

**ATTACHMENT CLUTCH SWITCH** - Used to engage mower blades or other attachments mounted to your tractor.

**ATTACHMENT LIFT LEVER** - Used to raise and lower mower deck or other attachments mounted to your tractor.

**CLUTCH/BRAKE PEDAL** - Used for declutching and braking the tractor and starting the engine.

**HEIGHT ADJUSTMENT KNOB** - Used to adjust the mower height.

**LIGHT SWITCH** - Turns the headlights on and off.

**MOTION CONTROL LEVER** - Selects the speed and direction of the tractor.

**IGNITION SWITCH** - Used to start and stop the engine.

**PARKING BRAKE LEVER** - Locks clutch/brake pedal into the brake position.

**THROTTLE CONTROL** - Used to control engine speed.

**LIFT LEVER PLUNGER** - Used to release attachment lift lever when changing its position.

**CHOKE CONTROL** - Used when starting a cold engine.

**AMMETER** - Indicates charging (+) or discharging (-) of battery.

**FREEWHEEL CONTROL** - Disengages transmission for pushing or slowly towing the tractor with the engine off.

# OPERATION



The operation of any tractor can result in foreign objects thrown into the eyes, which can result in severe eye damage. Always wear safety glasses or eye shields while operating your tractor or performing any adjustments or repairs. We recommend a wide vision safety mask over the spectacles or standard safety glasses.

## HOW TO USE YOUR TRACTOR TO SET PARKING BRAKE (See Fig. 8)

Your tractor is equipped with an operator presence sensing switch. When engine is running, any attempt by the operator to leave the seat without first setting the parking brake will shut off the engine.

- Depress clutch/brake pedal into full "BRAKE" position and hold.
- Place parking brake lever in "ENGAGED" position and release pressure from clutch/brake pedal. Pedal should remain in "BRAKE" position. Make sure parking brake will hold tractor secure.

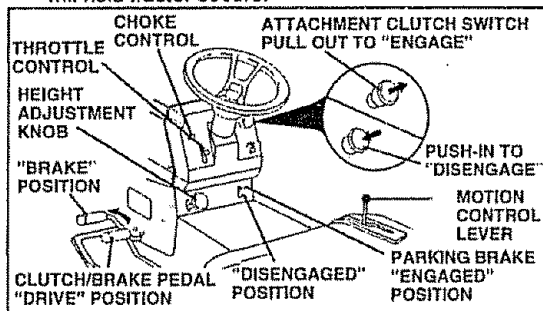


FIG. 8

## STOPPING (See Fig. 8)

### MOWER BLADES -

- Move attachment clutch switch to "DISENGAGED" position.

### GROUND DRIVE -

- Depress clutch/brake pedal into full "BRAKE" position.
- Move motion control lever to neutral (N) position.

**IMPORTANT: THE MOTION CONTROL LEVER DOES NOT RETURN TO NEUTRAL (N) POSITION WHEN THE CLUTCH/BRAKE PEDAL IS DEPRESSED**

### ENGINE -

- Move throttle control to slow position.

**NOTE:** Failure to move throttle control to slow position and allowing engine to idle before stopping may cause engine to "backfire".

- Turn ignition key to "OFF" position and remove key. Always remove key when leaving tractor to prevent unauthorized use.

- Never use choke to stop engine.

**NOTE:** Under certain conditions when tractor is standing idle with the engine running, hot engine exhaust gases may cause "browning" of grass. To eliminate this possibility, always stop engine when stopping tractor on grass areas.



**CAUTION:** Always stop tractor completely, as described above, before leaving the operator's position; to empty grass catcher, etc.

## TO USE THROTTLE CONTROL (See Fig. 8)

Always operate engine at full throttle.

- Operating engine at less than full throttle reduces the battery charging rate.
- Full throttle offers the best mower performance.

## TO USE CHOKE CONTROL (See Fig. 8)

Use choke control whenever you are starting a cold engine. Do not use to start a warm engine.

- To engage choke control, pull knob out. Slowly push knob in to disengage.

## TO MOVE FORWARD AND BACKWARD (See Fig. 8)

The direction and speed of movement is controlled by the motion control lever.

- Start tractor with motion control lever in neutral (N) position.
- Release parking brake and clutch/brake pedal.
- Slowly move motion control lever to desired position.

## TO ADJUST MOWER CUTTING HEIGHT (See Fig. 8)

The cutting height is controlled by turning the height adjustment knob in desired direction.

- Turn knob clockwise (↻) to raise cutting height.
- Turn knob counterclockwise (↺) to lower cutting height.

The cutting height range is approximately 1-1/2" to 4". The heights are measured from the ground to the blade tip with the engine not running. These heights are approximate and may vary depending upon soil conditions, height of grass and types of grass being mowed.

- The average lawn should be cut to approximately 2-1/2 inches during the cool season and to over 3 inches during hot months. For healthier and better looking lawns, mow often and after moderate growth.
- For best cutting performance, grass over 6 inches in height should be mowed twice. Make the first cut relatively high; the second to desired height.

## TO ADJUST GAUGE WHEELS (See Fig. 9)

Gauge wheels are properly adjusted when they are slightly off the ground when mower is at the desired cutting height in operating position. Gauge wheels then keep the deck in proper position to help prevent scalping in most terrain conditions.

- Adjust gauge wheels with tractor on a flat level surface.
- Adjust mower to desired cutting height (See "TO ADJUST MOWER CUTTING HEIGHT" in the Operation section of this manual).
- With mower in desired height of cut position, gauge wheels should be assembled so they are slightly off the ground. Install gauge wheel in appropriate hole with shoulder bolt, 3/8 washer, and 3/8-16 locknut and tighten securely.

- Repeat for opposite side installing gauge wheel in same adjustment hole.

# OPERATION

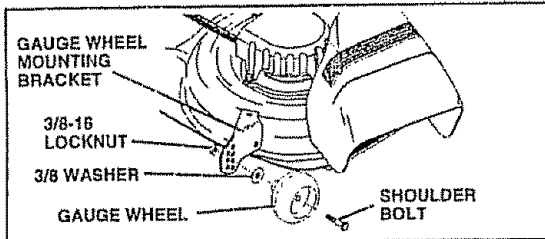


FIG. 9

## TO OPERATE MOWER (See Fig. 10)

Your tractor is equipped with an operator presence sensing switch. Any attempt by the operator to leave the seat with the engine running and the attachment clutch engaged will shut off the engine.

- Select desired height of cut.
- Lower mower with attachment lift control.
- Start mower blades by engaging attachment clutch control.
- TO STOP MOWER BLADES - disengage attachment clutch control.

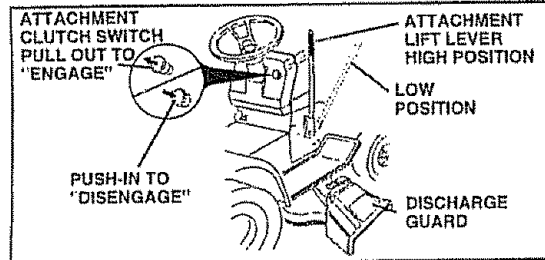
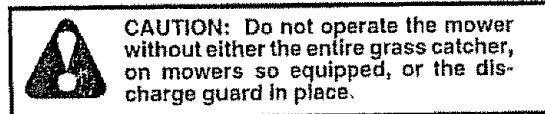
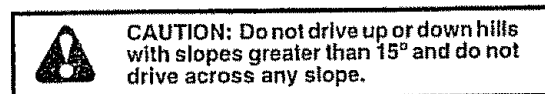


FIG. 10

## TO OPERATE ON HILLS



- Choose the slowest speed before starting up or down hills.
  - Avoid stopping or changing speed on hills.
  - If slowing is necessary, move throttle control lever to slower position.
  - If stopping is absolutely necessary, push clutch/brake pedal quickly to brake position and engage parking brake.
  - Move motion control lever to neutral (N) position.
- IMPORTANT:** THE MOTION CONTROL LEVER DOES NOT RETURN TO NEUTRAL (N) POSITION WHEN THE CLUTCH/BRAKE PEDAL IS DEPRESSED
- To restart movement, slowly release parking brake and clutch/brake pedal.
  - Slowly move motion control lever to slowest setting.
  - Make all turns slowly.

## TO TRANSPORT (See Fig. 11)

When pushing or towing your tractor, be sure to disengage transmission by placing freewheel control in freewheeling position. Free wheel control is located at the rear drawbar of tractor.

- Raise attachment lift to highest position with attachment lift control.
- Pull freewheel control knob out and hold in position by inserting retainer spring into forward hole of control rod.
- Do not push or tow tractor at more than two (2) MPH.
- To reengage transmission, reverse above procedure.

**NOTE:** To protect hood from damage when transporting your tractor on a truck or a trailer, be sure hood is closed and secured to tractor. Use an appropriate means of tying hood to tractor (rope, cord, etc.).

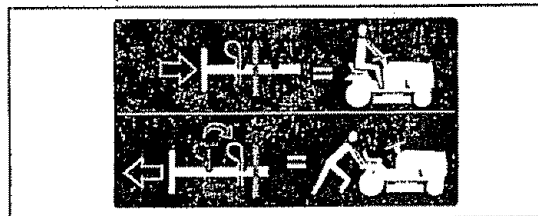


FIG. 11

## BEFORE STARTING THE ENGINE

### CHECK ENGINE OIL LEVEL (See Fig. 18)

- The engine in your tractor has been shipped, from the factory, already filled with summer weight oil.
- Check engine oil with tractor on level ground.
- Remove oil fill cap/dipstick and wipe clean, reinsert the dipstick and push it all the way down into the tube, wait for a few seconds, remove and read oil level. If necessary, add oil until "FULL" mark on dipstick is reached. Do not overfill.
- For cold weather operation you should change oil for easier starting (See "OIL VISCOSITY CHART" in the Customer Responsibilities section of this manual).
- To change engine oil, see the Customer Responsibilities section in this manual.

### ADD GASOLINE

- Fill fuel tank Use fresh, clean, regular unleaded gasoline with a minimum of 87 octane. (Use of leaded gasoline will increase carbon and lead oxide deposits and reduce valve life). Do not mix oil with gasoline. Purchase fuel in quantities that can be used within 30 days to assure fuel freshness

**IMPORTANT:** WHEN OPERATING IN TEMPERATURES BELOW 32°F(0°C), USE FRESH, CLEAN WINTER GRADE GASOLINE TO HELP INSURE GOOD COLD WEATHER STARTING

**WARNING:** Experience indicates that alcohol blended fuels (called gasohol or using ethanol or methanol) can attract moisture which leads to separation and formation of acids during storage. Acidic gas can damage the fuel system of an engine while in storage. To avoid engine problems, the fuel system should be emptied before storage of 30 days or longer. Drain the gas tank, start the engine and let it run until the fuel lines and carburetor are empty. Use fresh fuel next season. See Storage Instructions for additional information. Never use engine or carburetor cleaner products in the fuel tank or permanent damage may occur.

# OPERATION



**CAUTION:** Fill to bottom of gas tank filler neck. Do not overfill. Wipe off any spilled oil or fuel. Do not store, spill or use gasoline near an open flame.

## TO START ENGINE (See Fig. 8)

When starting the engine for the first time or if the engine has run out of fuel, it will take extra cranking time to move fuel from the tank to the engine.

- Be sure freewheel control is in the transmission engaged position.
- Sit on seat in operating position, depress clutch/brake pedal and set parking brake.
- Place motion control lever in neutral (N) position.
- Move attachment clutch to "DISENGAGED" position.
- Move throttle control to fast position.
- Pull choke control out for a cold engine start attempt. For a warm engine start attempt the choke control may not be needed.

**Note:** Before starting, read the warm and cold starting procedures below.

- Insert key into ignition and turn key clockwise to "START" position and release key as soon as engine starts. Do not run starter continuously for more than fifteen seconds per minute. If the engine does not start after several attempts, push choke control in, wait a few minutes and try again. If engine still does not start, pull the choke control out and retry.

### WARM WEATHER STARTING (50° F and above)

- When engine starts, slowly push choke control in until the engine begins to run smoothly. If the engine starts to run roughly, pull the choke control out slightly for a few seconds and then continue to push the control in slowly.
- The attachments and ground drive can now be used. If the engine does not accept the load, restart the engine and allow it to warm up for one minute using the choke as described above.

### COLD WEATHER STARTING (50° F and below)

- When engine starts, slowly push choke control in until the engine begins to run smoothly. Continue to push the choke control in small steps allowing the engine to accept small changes in speed and load, until the choke control is fully in. If the engine starts to run roughly, pull the choke control out slightly for a few seconds and then continue to push the control in slowly. This may require an engine warm-up period from several seconds to several minutes, depending on the temperature.

### HYDROSTATIC TRANSMISSION WARM UP

- Before driving the unit in cold weather, the transmission should be warmed up as follows:
  - Be sure the tractor is on level ground.
  - Place the motion control lever in neutral. Release the parking brake and let the clutch/brake slowly return to operating position.
  - Allow one minute for transmission to warm up. This can be done during the engine warm up period.
- The attachments can be used during the engine warm-up period after the transmission has been warmed up and may require the choke control be pulled out slightly.

**NOTE:** If at a high altitude (above 3000 feet) or in cold temperatures (below 32 F) the carburetor fuel mixture may need to be adjusted for best engine performance. See "TO ADJUST CARBURETOR" in the Service and Adjustments section of this manual.

## PURGE TRANSMISSION



**CAUTION:** Never engage or disengage freewheel lever while the engine is running.

To ensure proper operation and performance, it is recommended that the transmission be purged before operating tractor for the first time. This procedure will remove any trapped air inside the transmission which may have developed during shipping of your tractor.

**IMPORTANT:** SHOULD YOUR TRANSMISSION REQUIRE REMOVAL FOR SERVICE OR REPLACEMENT, IT SHOULD BE PURGED AFTER REINSTALLATION BEFORE OPERATING THE TRACTOR.

- Place tractor safely on level surface with engine off and parking brake set.
- Disengage transmission by placing freewheel control in freewheeling position (See "TO TRANSPORT" in this section of manual).
- Sitting in the tractor seat, start engine. After the engine is running, move throttle control to slow position. With motion control lever in neutral (N) position, slowly disengage clutch/brake pedal.
- Move motion control lever to full forward position and hold for five (5) seconds. Move lever to full reverse position and hold for five (5) seconds. Repeat this procedure three (3) times.

**NOTE:** During this procedure there will be no movement of drive wheels. The air is being removed from hydraulic drive system.

- Move motion control lever to neutral (N) position. Shut-off engine and set parking brake.
- Engage transmission by placing freewheel control in driving position (See "TO TRANSPORT" in this section of manual).
- Sitting in the tractor seat, start engine. After the engine is running, move throttle control to half (1/2) speed. With motion control lever in neutral (N) position, slowly disengage clutch/brake pedal.
- Slowly move motion control lever forward, after the tractor moves approximately five (5) feet, slowly move motion control lever to reverse position. After the tractor moves approximately five (5) feet return the motion control lever to the neutral (N) position. Repeat this procedure with the motion control lever three (3) times.
- Your tractor is now purged and now ready for normal operation.

---

# OPERATION

---

## MOWING TIPS

- Tire chains cannot be used when the mower housing is attached to tractor.
- Mower should be properly leveled for best mowing performance. See "TO LEVEL MOWER HOUSING" in the Service and Adjustments section of this manual.
- The left hand side of mower should be used for trimming.
- Drive so that clippings are discharged onto the area that has been cut. Have the cut area to the right of the machine. This will result in a more even distribution of clippings and more uniform cutting.
- When mowing large areas, start by turning to the right so that clippings will discharge away from shrubs, fences, driveways, etc. After one or two rounds, mow in the opposite direction making left hand turns until finished (See Fig. 12).
- If grass is extremely tall, it should be mowed twice to reduce load and possible fire hazard from dried clippings. Make first cut relatively high; the second to the desired height.
- Do not mow grass when it is wet. Wet grass will plug mower and leave undesirable clumps. Allow grass to dry before mowing.
- Always operate engine at full throttle when mowing to assure better mowing performance and proper discharge of material. Regulate ground speed by selecting a low enough gear to give the mower cutting performance as well as the quality of cut desired.
- When operating attachments, select a ground speed that will suit the terrain and give best performance of the attachment being used.

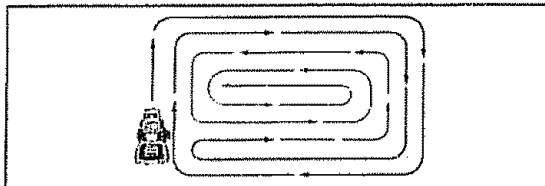


FIG. 12

## MULCHING MOWING TIPS

**IMPORTANT: FOR BEST PERFORMANCE, KEEP MOWER HOUSING FREE OF BUILT-UP GRASS AND TRASH. CLEAN AFTER EACH USE**

- The special mulching blade will recut the grass clippings many times and reduce them in size so that as they fall onto the lawn they will disperse into the grass and not be noticed. Also, the mulched grass will biodegrade quickly to provide nutrients for the lawn. Always mulch with your highest engine (blade) speed as this will provide the best recutting action of the blades.
- Avoid cutting your lawn when it is wet. Wet grass tends to form clumps and interferes with the mulching action. The best time to mow your lawn is the early afternoon. At this time the grass has dried and the newly cut area will not be exposed to the direct sun.
- For best results, adjust the mower cutting height so that the mower cuts off only the top one-third of the grass blades (See Fig. 13). For extremely heavy mulching, reduce your width of cut on each pass and mow slowly.
- Certain types of grass and grass conditions may require that an area be mulched a second time to completely hide the clippings. When doing a second cut, mow across or perpendicular to the first cut path.
- Change your cutting pattern from week to week. Mow north to south one week then change to east to west the next week. This will help prevent matting and graining of the lawn.

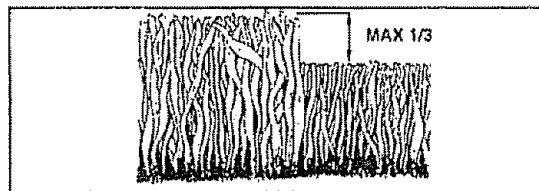


FIG. 13



# CUSTOMER RESPONSIBILITIES

MAINTENANCE SCHEDULE		BEFORE EACH USE							BEFORE STORAGE											
FILL IN DATES AS YOU COMPLETE REGULAR SERVICE		EVERY 8 HOURS	EVERY 25 HOURS	EVERY 50 HOURS	EVERY 100 HOURS	EVERY SEASON	BEFORE STORAGE	SERVICE DATES												
TRACTOR	Check Brake Operation	✓	✓																	
	Check Tire Pressure	✓	✓																	
	Check for Loose Fasteners	✓				✓ <sup>7</sup>				✓										
	Sharpen/Replace Mower Blades			✓ <sup>4</sup>																
	Lubrication Chart			✓							✓									
	Check Battery Level/Recharge			✓ <sup>6</sup>																
	Clean Battery and Terminals			✓								✓								
	Check Transaxle Cooling			✓																
	Adjust Blade Belt(s) Tension					✓ <sup>5</sup>														
	Adjust Motion Drive Belt(s) Tension					✓ <sup>5</sup>														
ENGINE	Check Engine Oil Level	✓	✓																	
	Change Engine Oil			✓ <sup>1,2,3</sup>						✓										
	Clean Air Filter			✓ <sup>2</sup>																
	Clean Air Screen			✓ <sup>2</sup>																
	Inspect Muffler/Spark Arrester				✓															
	Replace Oil Filter (If equipped)					✓ <sup>1,2</sup>														
	Clean Engine Cooling Fins					✓ <sup>2</sup>														
	Replace Spark Plug					✓ <sup>2</sup>				✓										
	Replace Air Filter Paper Cartridge					✓ <sup>2</sup>														
Replace Fuel Filter									✓											

- 1 - Change more often when operating under a heavy load or in high ambient temperatures  
 2 - Service more often when operating in dirty or dusty conditions  
 3 - If equipped with oil filter, change oil every 50 hours  
 4 - Replace blades more often when mowing in sandy soil  
 5 - If equipped with adjustable system.  
 6 - Not required if equipped with maintenance-free battery  
 7 - Tighten front axle pivot bolt to 35 ft.-lbs. maximum. Do not overtighten.

## GENERAL RECOMMENDATIONS

The warranty on this tractor does not cover items that have been subjected to operator abuse or negligence. To receive full value from the warranty, operator must maintain tractor as instructed in this manual.

Some adjustments will need to be made periodically to properly maintain your tractor.

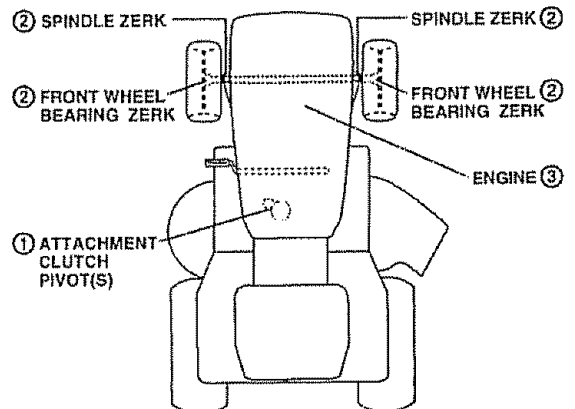
All adjustments in the Service and Adjustments section of this manual should be checked at least once each season.

- Once a year you should replace the spark plug, clean or replace air filter, and check blades and belts for wear. A new spark plug and clean air filter assure proper air-fuel mixture and help your engine run better and last longer.

## BEFORE EACH USE

- Check engine oil level.
- Check brake operation.
- Check tire pressure.
- Check for loose fasteners.

## LUBRICATION CHART



- ① SAE 30 OR 10W30 MOTOR OIL  
 ② GENERAL PURPOSE GREASE  
 ③ REFER TO CUSTOMER RESPONSIBILITIES "ENGINE" SECTION

IMPORTANT: DO NOT OIL OR GREASE THE PIVOT POINTS WHICH HAVE SPECIAL NYLON BEARINGS. VISCOUS LUBRICANTS WILL ATTRACT DUST AND DIRT THAT WILL SHORTEN THE LIFE OF THE SELF-LUBRICATING BEARINGS. IF YOU FEEL THEY MUST BE LUBRICATED, USE ONLY A DRY, POWDERED GRAPHITE TYPE LUBRICANT SPARINGLY.

# CUSTOMER RESPONSIBILITIES

## TRACTOR

Always observe safety rules when performing any maintenance.

## BRAKE OPERATION

If tractor requires more than six (6) feet stopping distance at high speed in highest gear, then brake must be adjusted. (See "TO ADJUST BRAKE" in the Service and Adjustments section of this manual).

## TIRES

- Maintain proper air pressure in all tires (See "PRODUCT SPECIFICATIONS" on page 3 of this manual).
- Keep tires free of gasoline, oil, or insect control chemicals which can harm rubber.
- Avoid stumps, stones, deep ruts, sharp objects and other hazards that may cause tire damage.

**NOTE:** To seal tire punctures and prevent flat tires due to slow leaks, tire sealant may be purchased from your local parts dealer. Tire sealant also prevents tire dry rot and corrosion.

## BLADE CARE

For best results mower blades must be kept sharp. Replace bent or damaged blades.

## BLADE REMOVAL (See Fig. 14)

- Raise mower to highest position to allow access to blades.
- Remove hex bolt, lock washer and flat washer securing blade.
- Install new or resharpened blade with trailing edge up towards deck as shown.
- Reassemble hex bolt, lock washer and flat washer in exact order as shown.
- Tighten bolt securely (30-35 Ft. Lbs torque).

**IMPORTANT:** BLADE BOLT IS GRADE 8 HEAT TREATED

**NOTE:** We do not recommend sharpening blade - but if you do, be sure the blade is balanced.

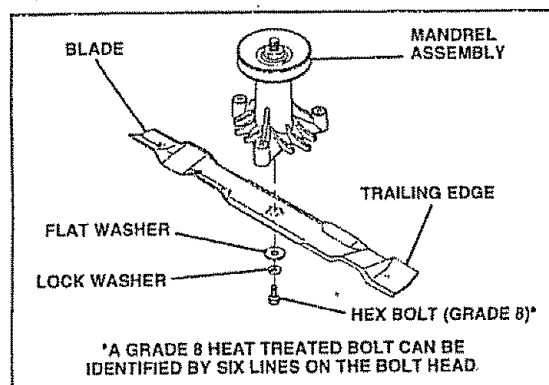


FIG. 14

## TO SHARPEN BLADE (See Fig. 15)

Care should be taken to keep the blade balanced. An unbalanced blade will cause excessive vibration and eventual damage to mower and engine.

- The blade can be sharpened with a file or on a grinding wheel. Do not attempt to sharpen while on the mower.
- To check blade balance, you will need a 5/8" diameter steel bolt, pin, or a cone balancer. (When using a cone balancer, follow the instructions supplied with balancer.)
- Slide blade on to an unthreaded portion of the steel bolt or pin and hold the bolt or pin parallel with the ground. If blade is balanced, it should remain in a horizontal position. If either end of the blade moves downward, sharpen the heavy end until the blade is balanced.

**NOTE:** Do not use a nail for balancing blade. The lobes of the center hole may appear to be centered, but are not

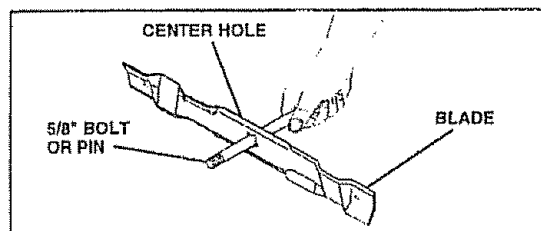


FIG. 15

## BATTERY

Your tractor has a battery charging system which is sufficient for normal use. However, periodic charging of the battery with an automotive charger will extend its life.

- Keep battery and terminals clean
- Keep battery bolts tight
- Keep small vent holes open.
- Recharge at 6-10 amperes for 1 hour.

## TO CLEAN BATTERY AND TERMINALS

Corrosion and dirt on the battery and terminals can cause the battery to "leak" power.

- Remove terminal guard.
- Disconnect BLACK battery cable first then RED battery cable and remove battery from tractor.
- Rinse the battery with plain water and dry.
- Clean terminals and battery cable ends with wire brush until bright
- Coat terminals with grease or petroleum jelly.
- Reinstall battery (See "CONNECT BATTERY" in the Assembly section of this manual).

# CUSTOMER RESPONSIBILITIES

## V-BELTS

Check V-belts for deterioration and wear after 100 hours of operation and replace if necessary. The belts are not adjustable. Replace belts if they begin to slip from wear.

## TRANSAXLE COOLING

The fan and cooling fins of transmission should be kept clean to assure proper cooling.

Do not attempt to clean fan or transmission while engine is running or while the transmission is hot.

- Inspect cooling fan to be sure fan blades are intact and clean.
- Inspect cooling fins for dirt, grass clippings and other materials. To prevent damage to seals, do not use compressed air or high pressure sprayer to clean cooling fins.

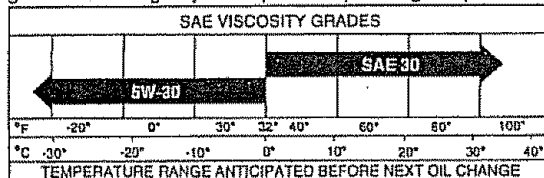
## TRANSAXLE PUMP FLUID

The transaxle was sealed at the factory and fluid maintenance is not required for the life of the transaxle. Should the transaxle ever leak or require servicing, contact your nearest authorized service center/department.

## ENGINE

### LUBRICATION

Only use high quality detergent oil rated with API service classification SF, SG or SH. Select the oil's SAE viscosity grade according to your expected operating temperature.



**NOTE:** Although multi-viscosity oils (5W30, 10W30 etc.) improve starting in cold weather, these multi-viscosity oils will result in increased oil consumption when used above 32°F. Check your engine oil level more frequently to avoid possible engine damage from running low on oil.

Change the oil after every 50 hours of operation or at least once a year if the tractor is not used for 50 hours in one year.

Check the crankcase oil level before starting the engine and after each eight (8) hours of operation. Tighten oil fill cap/dipstick securely each time you check the oil level.

### TO CHANGE ENGINE OIL (See Fig. 16)

Determine temperature range expected before oil change. All oil must meet API service classification SF, SG or SH.

- Be sure tractor is on level surface.
- Oil will drain more freely when warm.
- Catch oil in a suitable container.
- Remove oil fill cap/dipstick. Be careful not to allow dirt to enter the engine when changing oil.
- Remove drain plug.

- After oil has drained completely, replace oil drain plug and tighten securely.
- Refill engine with oil through oil fill dipstick tube. Pour slowly. Do not overfill. For approximate capacity see "PRODUCT SPECIFICATIONS" on page 3 of this manual.
- Use gauge on oil fill cap/dipstick for checking level. Be sure dipstick is in all the way for accurate reading. Keep oil at "FULL" line on dipstick.

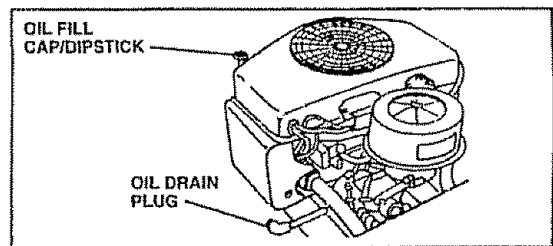


FIG. 16

## AIR FILTER (See Fig. 17)

Your engine will not run properly using a dirty air filter. Clean the foam pre-cleaner after every 25 hours of operation or every season. Service paper cartridge every 100 hours of operation or every season, whichever occurs first.

Service air cleaner more often under dusty conditions.

- Remove wing nut and cover.
- Remove seal and cartridge plate.

### TO SERVICE PRE-CLEANER

- Slide foam pre-cleaner off cartridge.
- Wash it in liquid detergent and water.
- Squeeze it dry in a clean cloth. Allow it to dry.
- Saturate it in engine oil. Wrap it in clean, absorbent cloth and squeeze to remove excess oil.

### TO SERVICE CARTRIDGE

- Replace a dirty, bent, or damaged cartridge.

**NOTE:** Do not wash the paper cartridge or use pressurized air, as this will damage the cartridge.

- Reinstall the pre-cleaner (cleaned and oiled) over the paper cartridge.
- Reassemble air cleaner, cartridge plate, and seal.
- Install the air cleaner cover and wing nut. Tighten wing nut 1/2 turn to 1 full turn after nut contacts cover. Do not overtighten.

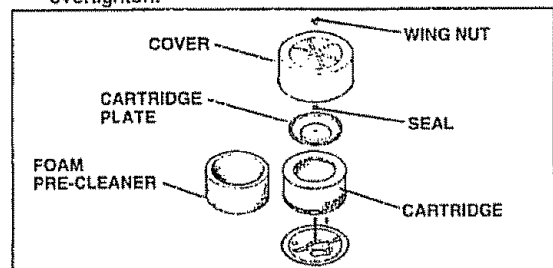


FIG. 17

# CUSTOMER RESPONSIBILITIES

## CLEAN AIR SCREEN (See Fig. 18)

Air screen must be kept free of dirt and chaff to prevent engine damage from overheating. Clean with a wire brush or compressed air to remove dirt and stubborn dried gum fibers.

## ENGINE COOLING FINS (See Fig. 18)

Remove any dust, dirt or oil from engine cooling fins to prevent engine damage from overheating. Engine blower housing must be removed. Remove side panels and hood (See "TO REMOVE HOOD AND GRILL ASSEMBLY" in the Service and Adjustments section of this manual)

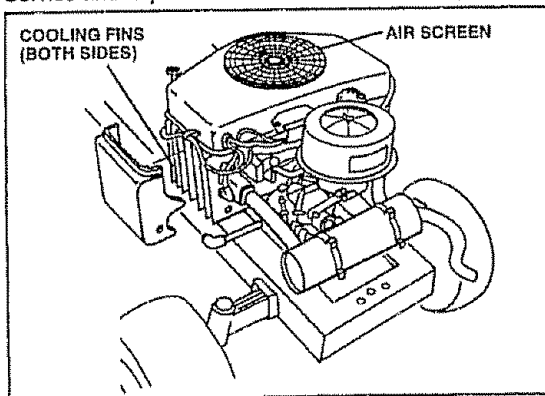


FIG. 18

## ENGINE OIL FILTER

Replace the engine oil filter every season or every other oil change if the tractor is used more than 100 hours in one year.

## MUFFLER

Inspect and replace corroded muffler and spark arrester (if equipped) as it could create a fire hazard and/or damage.

## SPARK PLUGS

Replace spark plugs at the beginning of each mowing season or after every 100 hours of operation, whichever occurs first. Spark plug type and gap setting are shown in "PRODUCT SPECIFICATIONS" on page 3 of this manual.

## IN-LINE FUEL FILTER (See Fig. 19)

The fuel filter should be replaced once each season. If fuel filter becomes clogged, obstructing fuel flow to carburetor, replacement is required.

- With engine cool, remove filter and plug fuel line sections.
- Place new fuel filter in position in fuel line with arrow pointing towards carburetor.
- Be sure there are no fuel line leaks and clamps are properly positioned.
- Immediately wipe up any spilled gasoline.

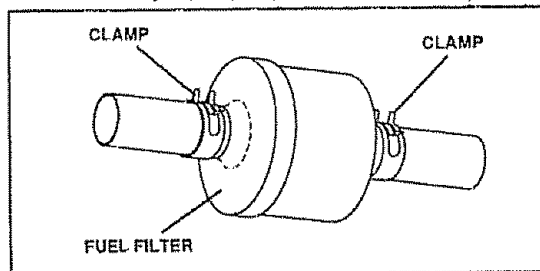


FIG. 19

## CLEANING

- Clean engine, battery, seat, finish, etc. of all foreign matter.
- Keep finished surfaces and wheels free of all gasoline, oil, etc.
- Protect painted surfaces with automotive type wax.

We do not recommend using a garden hose to clean your tractor unless the electrical system, muffler, air filter and carburetor are covered to keep water out. Water in engine can result in a shortened engine life.

# SERVICE AND ADJUSTMENTS



## CAUTION: BEFORE PERFORMING ANY SERVICE OR ADJUSTMENTS:

- Depress clutch/brake pedal fully and set parking brake.
- Place motion control lever in neutral (N) position.
- Place attachment clutch in "DISENGAGED" position.
- Turn ignition key "OFF" and remove key.
- Make sure the blades and all moving parts have completely stopped.
- Disconnect spark plug wire from spark plug and place wire where it cannot come in contact with plug.

## TRACTOR

### TO REMOVE MOWER (See Fig. 20)

- Place attachment clutch in "DISENGAGED" position.
- Turn height adjustment knob to lowest setting.
- Lower mower to its lowest position.
- Remove retainer spring holding anti-swaybar to chassis bracket and disengage anti-swaybar from bracket.
- Remove retainer springs from suspension arms at deck and disengage arms from deck.
- Raise attachment lift to its highest position.
- Remove two retainer springs from each front link and remove links.
- Slide mower forward and remove belt from electric clutch pulley.
- Slide mower out from under right side of tractor.

**IMPORTANT:** IF AN ATTACHMENT OTHER THAN THE MOWER DECK IS TO BE MOUNTED ON THE TRACTOR, REMOVE THE FRONT LINKS.

### TO INSTALL MOWER

Follow procedure described in "INSTALL MOWER AND DRIVE BELT" in the Assembly section of this manual.

## TO LEVEL MOWER HOUSING

Adjust the mower while tractor is parked on level ground or driveway. Make sure tires are properly inflated (See "PRODUCT SPECIFICATIONS" on page 3 of this manual). If tires are over or underinflated, you will not properly adjust your mower.

### SIDE-TO-SIDE ADJUSTMENT (See Figs. 21 and 22)

- Raise mower to its highest position.
- At the midpoint of both sides of mower, measure height from bottom edge of mower to ground. Distance "A" on both sides of mower should be the same or within 1/4" of each other.
- If adjustment is necessary, make adjustment on one side of mower only.
- To raise one side of mower, tighten lift link adjustment nut on that side.
- To lower one side of mower, loosen lift link adjustment nut on that side.

**NOTE:** Each full turn of adjustment nut will change mower height about 1/8".

- Recheck measurements after adjusting.

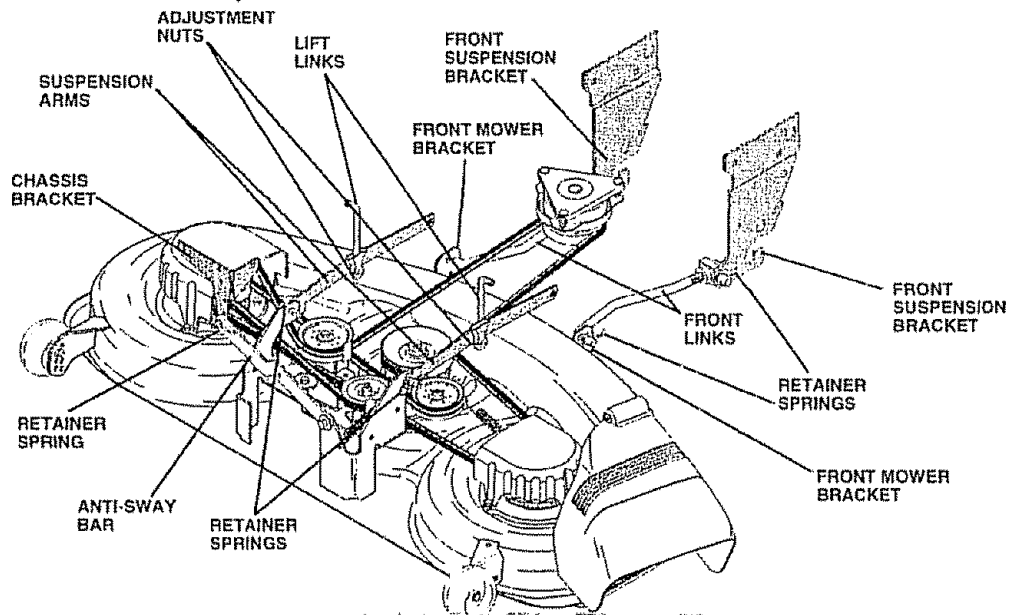


FIG. 20

# SERVICE AND ADJUSTMENTS

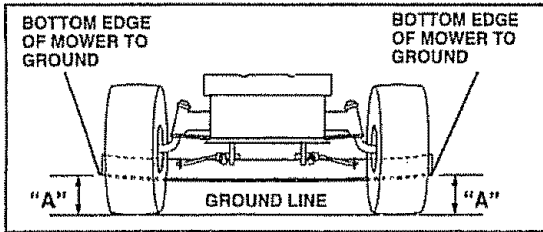


FIG. 21

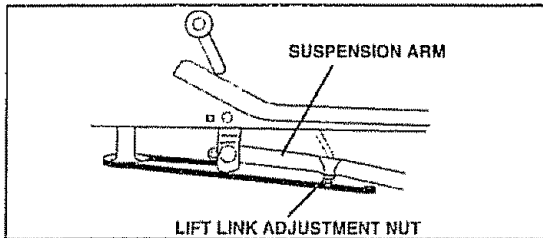


FIG. 22

**FRONT-TO-BACK ADJUSTMENT** (See Figs. 23 and 24)  
**IMPORTANT: DECK MUST BE LEVEL SIDE-TO-SIDE IF THE FOLLOWING FRONT-TO-BACK ADJUSTMENT IS NECESSARY, BE SURE TO ADJUST BOTH FRONT LINKS EQUALLY SO MOWER WILL STAY LEVEL SIDE-TO-SIDE.**

To obtain the best cutting results, the mower housing should be adjusted so that the front is approximately 1/8" to 1/2" lower than the rear when the mower is in its highest position.

Check adjustment on right side of tractor. Measure distance "D" directly in front and behind the mandrel at bottom edge of mower housing as shown

- Before making any necessary adjustments, check that both front links are equal in length. Both links should be approximately 10-3/8".
- If links are not equal in length, adjust one link to same length as other link.
- To lower front of mower loosen nut "E" on both front links an equal number of turns
- When distance "D" is 1/8" to 1/2" lower at front than rear, tighten nuts "F" against trunnion on both front links.
- To raise front of mower, loosen nut "F" from trunnion on both front links. Tighten nut "E" on both front links an equal number of turns.
- When distance "D" is 1/8" to 1/2" lower at front than rear, tighten nut "F" against trunnion on both front links.
- Recheck side-to-side adjustment.

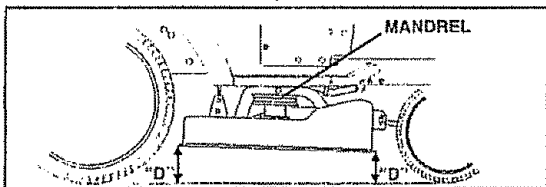


FIG. 23

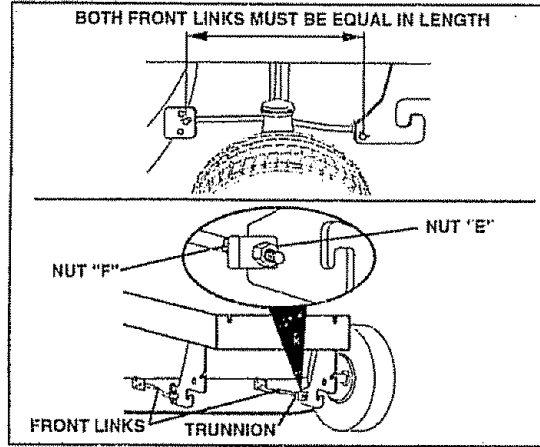


FIG. 24

## TO REPLACE MOWER DRIVE BELT

**MOWER DRIVE BELT REMOVAL** (See Fig. 25)

- Park tractor on a level surface. Engage parking brake.
- Remove four screws from L.H. mandrel cover and remove cover.
- Roll belt over the top of L.H. mandrel pulley.
- Remove belt from electric clutch pulley.
- Remove belt from idler pulleys.
- Remove any dirt or grass clippings which may have accumulated around mandrels and entire upper deck surface.
- Check primary idler arm and two idlers to see that they rotate freely.
- Be sure spring is securely hooked to primary idler arm and bolt in mower housing.

**MOWER DRIVE BELT INSTALLATION** (See Fig. 25)

- Install belt in both idlers. Make sure belt is in both belt keepers at the idlers as shown
- Install new belt onto electric clutch pulley.
- Roll belt into upper groove of L.H. mandrel pulley.
- Carefully check belt routing making sure belt is in the grooves correctly and inside belt keepers
- Reassemble L.H. mandrel cover.

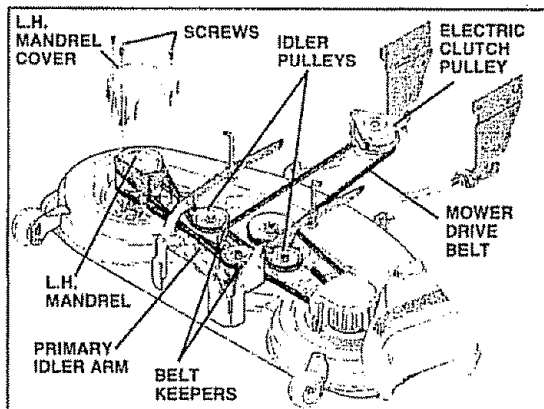


FIG. 25

# SERVICE AND ADJUSTMENTS

## TO REPLACE MOWER BLADE DRIVE BELT (See Fig. 26)

Park the tractor on level surface. Engage parking brake.

- Remove mower drive belt (See "TO REPLACE MOWER DRIVE BELT" in this section of this manual).
- Remove mower (See "TO REMOVE MOWER" in this section of this manual).
- Remove four screws from R.H. mandrel cover and remove cover. Unhook spring from bolt on mower housing.
- Carefully roll belt off R.H. mandrel pulley.
- Remove belt from center mandrel pulley, idler pulley, and L.H. mandrel pulley.
- Remove any dirt or grass which may have accumulated around mandrels and entire upper deck surface.
- Check secondary idler arm and idler to see that they rotate freely.
- Be sure spring is hooked in secondary idler arm and sway-bar bracket.
- Install new belt in lower groove of L.H. mandrel pulley, idler pulley, and center mandrel pulley as shown.
- Roll belt over R.H. mandrel pulley. Make sure belt is in all grooves properly.
- Reconnect spring to bolt in mower housing and reinstall R.H. mandrel cover.
- Reinstall mower to tractor (See "INSTALL MOWER AND DRIVE BELT" in the Assembly section of this manual).
- Reassemble mower drive belt (See "TO REPLACE MOWER DRIVE BELT" in this section of this manual).

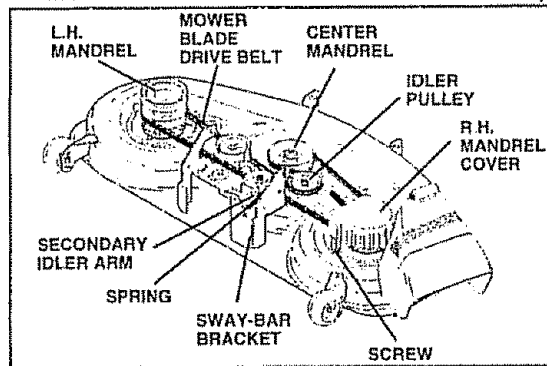


FIG. 26

## TO ADJUST ATTACHMENT CLUTCH (See Fig. 27)

The electric clutch should provide years of service. The clutch has a built-in brake that stops the pulley within 5 seconds. Eventually, the internal brake will wear which may cause the mower blades to not engage, or, to not stop as required. Adjustments should be made by your nearest authorized service center/department.

- Make sure attachment clutch and ignition switches are in "OFF" position.
- Adjust the three nylon locknuts until space between clutch plate and rotor measures .012" at all three slot locations cut in the side of brake plate.

**NOTE:** After installing a new electric clutch, run tractor at full throttle and engage and disengage electric clutch 10 cycles to wear in clutch plate.

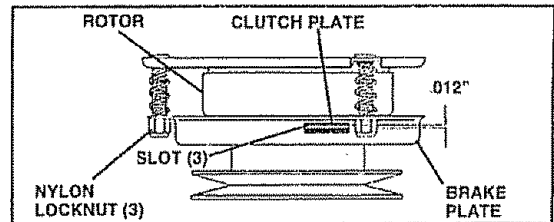


FIG. 27

## TO ADJUST BRAKE (See Fig. 28)

Your tractor is equipped with an adjustable brake system which is mounted on the side of the transaxle.

If tractor requires more than six (6) feet stopping distance at high speed in highest gear, then brake must be adjusted.

- Depress clutch/brake pedal and engage parking brake.
- Measure distance between brake operating arm and nut "A" on brake rod.
- If distance is other than 1-3/4", loosen jam nut and turn nut "A" until distance becomes 1-3/4". Retighten jam nut against nut "A".
- Road test tractor for proper stopping distance as stated above. Readjust if necessary. If stopping distance is still greater than six (6) feet in highest gear, further maintenance is necessary. Contact your nearest authorized service center/department.

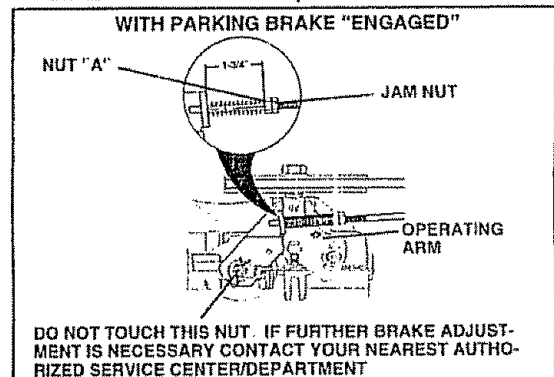


FIG. 28

## TO REPLACE MOTION DRIVE BELT (See Fig. 29)

Park the tractor on level surface. Engage parking brake. For assistance, there is a belt installation guide decal on bottom side of left footrest.

- Remove mower (See "TO REMOVE MOWER" in this section of this manual)
- Disconnect clutch wire harness.
- Remove clutch locator.
- Remove upper belt keeper.
- Remove belt from stationary idler and clutching idler.
- Pull belt slack toward rear of tractor. Carefully remove belt upwards from transmission input pulley and over cooling fan blades.
- Pull belt toward front of tractor and remove downwards from around electric clutch.
- Install new belt by reversing above procedure.

# SERVICE AND ADJUSTMENTS

**IMPORTANT:** MAKE SURE UPPER BELT KEEPER IS POSITIONED PROPERLY BETWEEN LOCATOR TABS AND ELECTRIC CLUTCH WIRE CONNECTION IS SECURE.

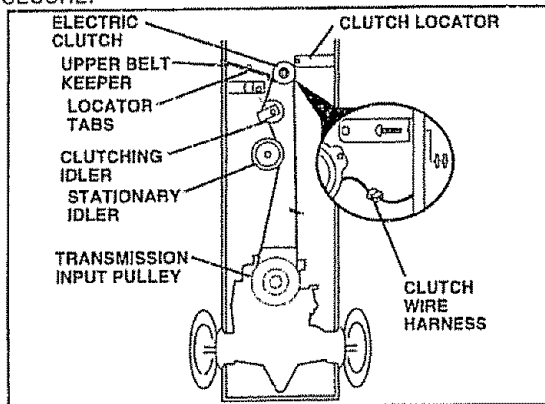


FIG. 29

## TO ADJUST MOTION CONTROL LEVER (See Fig. 30)

The motion control lever has been preset at the factory and adjustment should not be necessary.

If for any reason the motion control lever will not hold its position while at a selected speed, it may be adjusted at the friction pack located on the right side of transmission.

- Park tractor on level surface. Stop tractor by turning ignition key to "OFF" position, and engage parking brake.
- Adjust motion control lever by tightening adjustment locknut one half (1/2) turn

**NOTE:** If for any reason the effort to move the motion control lever becomes too excessive, reverse the above adjustment procedure by loosening locknut 1/4 to 1/2 turn. Road test tractor after adjustment and repeat procedure if necessary.

## TRANSMISSION REMOVAL/REPLACEMENT

Should your transmission require removal for service or replacement, it should be purged after reinstallation and before operating the tractor. See "PURGE TRANSMISSION" in the Operation section of this manual.

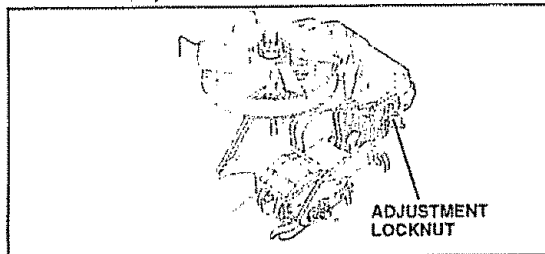


FIG. 30

## TO ADJUST STEERING WHEEL ALIGNMENT

If steering wheel crossbars are not horizontal (left to right) when wheels are positioned straight forward, remove steering wheel and reassemble per instructions in the Assembly section of this manual.

## FRONT WHEEL TOE-IN/CAMBER

The front wheel toe-in and camber are not adjustable on your tractor. If damage has occurred to affect the front wheel toe-in or camber, contact your nearest authorized service center/department.

## TO REMOVE WHEEL FOR REPAIRS (See Fig. 31)

- Block up axle securely.
- Remove axle cover, retaining ring and washers to allow wheel removal (rear wheel contains a square key - Do not lose).
- Repair tire and reassemble.
- On rear wheels only: align grooves in rear wheel hub and axle. Insert square key.
- Replace washers and snap retaining ring securely in axle groove.
- Replace axle cover.

**NOTE:** To seal tire punctures and prevent flat tires due to slow leaks, tire sealant may be purchased from your local parts dealer. Tire sealant also prevents tire dry rot and corrosion.

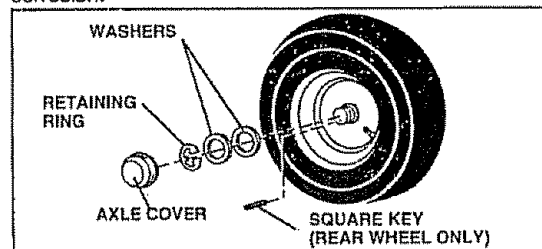


FIG. 31

## TO START ENGINE WITH A WEAK BATTERY (See Fig. 32)



**CAUTION:** Lead-acid batteries generate explosive gases. Keep sparks, flame and smoking materials away from batteries. Always wear eye protection when around batteries.

If your battery is too weak to start the engine, it should be recharged. If "jumper cables" are used for emergency starting, follow this procedure:

**IMPORTANT:** YOUR TRACTOR IS EQUIPPED WITH A 12 VOLT NEGATIVE GROUND SYSTEM. THE OTHER VEHICLE MUST ALSO BE A 12 VOLT NEGATIVE GROUND SYSTEM. DO NOT USE YOUR TRACTOR BATTERY TO START OTHER VEHICLES.

### TO ATTACH JUMPER CABLES -

- Connect each end of the RED cable to the POSITIVE (+) terminal of each battery, taking care not to short against chassis.
- Connect one end of the BLACK cable to the NEGATIVE (-) terminal of fully charged battery.
- Connect the other end of the BLACK cable to good CHASSIS GROUND, away from fuel tank and battery.

### TO REMOVE CABLES, REVERSE ORDER -

- BLACK cable first from chassis and then from the fully charged battery.
- RED cable last from both batteries.



# SERVICE AND ADJUSTMENTS

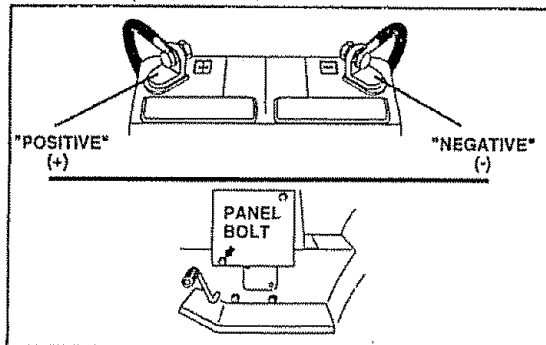


FIG. 32

## TO REPLACE HEADLIGHT BULB

- Raise hood.
- Pull bulb holder out of the hole in the backside of the grill.
- Replace bulb in holder and push bulb holder securely back into the hole in the backside of the grill.
- Close hood.

## INTERLOCKS AND RELAYS

Loose or damaged wiring may cause your tractor to run poorly, stop running, or prevent it from starting.

- Check wiring. See electrical wiring diagram in the Repair Parts section of this manual.

## TO REPLACE FUSE

Replace with 30 amp automotive-type plug-in fuse. The fuse holder is located behind the dash.

## TO REMOVE HOOD AND GRILL ASSEMBLY (See Fig. 33)

- Raise hood.
- Unsnap headlight wire connector.
- Stand in front of tractor. Grasp hood at sides, tilt toward engine and lift off of tractor.
- To replace, reverse above procedure.

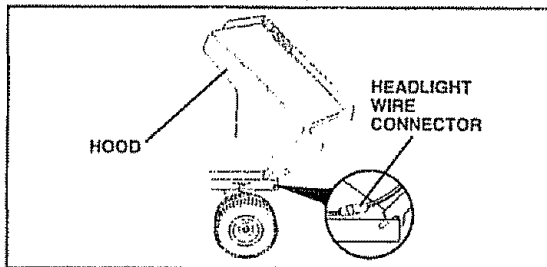


FIG. 33

## ENGINE

### TO ADJUST THROTTLE CONTROL CABLE (See Figs. 34 & 35)

The throttle control has been preset at the factory and adjustment should not be necessary. Check adjustment as described below before loosening cable. If adjustment is necessary, proceed as follows:

- With engine not running, move throttle control lever to fast position.
- Check that speed control lever is against stop screw. If it is not, loosen casing clamp screw and pull throttle cable until lever is against screw. Tighten clamp screw securely.

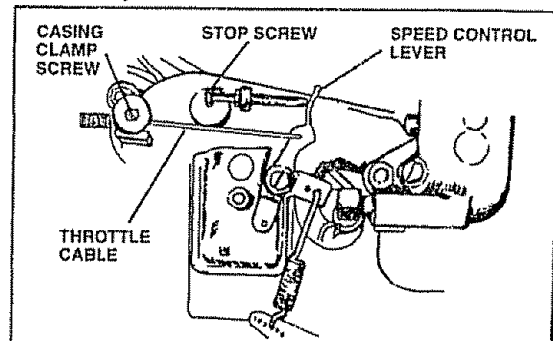


FIG. 34

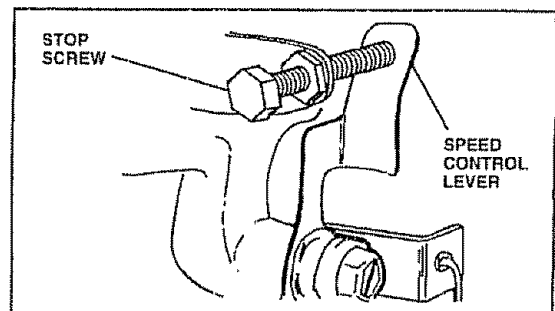


FIG. 35

### TO ADJUST CARBURETOR (See Fig. 36)

The carburetor has been preset at the factory and adjustment should not be necessary. However, minor adjustment may be required to compensate for differences in fuel, temperature, altitude or load. If the carburetor does need adjustment, proceed as follows:

In general, turning the adjusting needles in (clockwise) decreases the supply of fuel to the engine giving a leaner fuel/air mixture. Turning the adjusting needles out (counterclockwise) increases the supply of fuel to the engine giving a richer fuel/air mixture.

**IMPORTANT:** DAMAGE TO THE NEEDLES AND THE SEATS IN CARBURETOR MAY RESULT IF SCREW IS TURNED IN TOO TIGHT.

#### PRELIMINARY SETTING -

- Be sure you have a clean air filter, and the throttle control cable is adjusted properly (see above).
- With engine off turn idle fuel adjusting needle in (clockwise) closing it finger tight and then turn out (counterclockwise) 1-1/4 turns.
- Turn main fuel adjusting needle in (clockwise) closing finger tight and then turn out (counterclockwise) 1 turn.

# SERVICE AND ADJUSTMENTS

## FINAL SETTING -

- Start engine and allow to warm for five minutes. Make final adjustments with engine running and shift/motion control lever in neutral (N) position.
- With throttle control lever in fast position, turn main fuel adjusting needle in (clockwise) until engine begins to die then turn out (counterclockwise) until engine runs rough. Turn needle to a point midway between those two positions.
- Idle speed setting - With throttle control lever in slow position, engine should idle at 1400 RPM. If engine idles too slow or fast, turn idle speed adjusting screw in or out until correct idle is attained.
- Idle fuel needle setting - With throttle control lever in slow position, turn idle fuel adjusting needle in (clockwise) until engine begins to die and then turn out (counterclockwise) until engine runs rough. Turn needle to a point midway between those two positions.
- Recheck idle speed. Readjust if necessary.

## ACCELERATION TEST -

- Move throttle control lever from slow to fast position. If engine hesitates or dies, turn idle mixture screw out (counterclockwise) 1/8 turn. Repeat test and continue to adjust, if necessary, until engine accelerates smoothly.

High speed stop is factory adjusted. Do not adjust-damage may result.

**IMPORTANT: NEVER TAMPER WITH THE ENGINE GOVERNOR, WHICH IS FACTORY SET FOR PROPER ENGINE SPEED. OVERSPEEDING THE ENGINE ABOVE THE FACTORY HIGH SPEED SETTING CAN BE DANGEROUS. IF YOU THINK THE ENGINE-GOVERNED HIGH SPEED NEEDS ADJUSTING, CONTACT YOUR NEAREST AUTHORIZED SERVICE CENTER/DEPARTMENT, WHICH HAS PROPER EQUIPMENT AND EXPERIENCE TO MAKE ANY NECESSARY ADJUSTMENTS.**

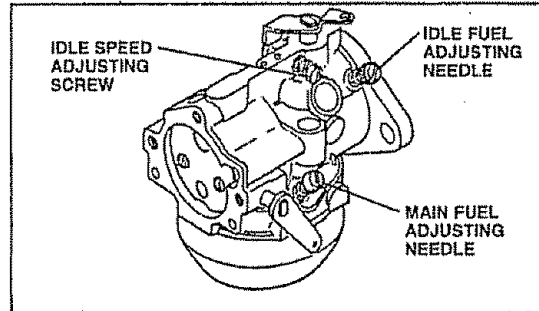


FIG. 36

---

# STORAGE

---

Immediately prepare your tractor for storage at the end of the season or if the tractor will not be used for 30 days or more.



**CAUTION:** Never store the tractor with gasoline in the tank inside a building where fumes may reach an open flame or spark. Allow the engine to cool before storing in any enclosure.

## TRACTOR

Remove mower from tractor for winter storage. When mower is to be stored for a period of time, clean it thoroughly, remove all dirt, grease, leaves, etc. Store in a clean, dry area.

- Clean entire tractor (See "CLEANING" in the Customer Responsibilities section of this manual).
- Inspect and replace belts, if necessary (See belt replacement instructions in the Service and Adjustments section of this manual).
- Lubricate as shown in the Customer Responsibilities section of this manual.
- Be sure that all nuts, bolts and screws are securely fastened. Inspect moving parts for damage, breakage and wear. Replace if necessary.
- Touch up all rusted or chipped paint surfaces; sand lightly before painting.

## BATTERY

- Fully charge the battery for storage.
- After a period of time in storage, battery may require recharging.
- To help prevent corrosion and power leakage during long periods of storage, battery cables should be disconnected and battery cleaned thoroughly (see "TO CLEAN BATTERY AND TERMINALS" in the Customer Responsibilities section of this manual).
- After cleaning, leave cables disconnected and place cables where they cannot come in contact with battery terminals.
- Be sure battery drain tube is securely attached.
- If battery is removed from tractor for storage, do not store battery directly on concrete or damp surfaces.

## ENGINE

### FUEL SYSTEM

**IMPORTANT:** IT IS IMPORTANT TO PREVENT GUM DEPOSITS FROM FORMING IN ESSENTIAL FUEL SYSTEM PARTS SUCH AS CARBURETOR, FUEL FILTER, FUEL HOSE, OR TANK DURING STORAGE. ALSO, EXPERIENCE INDICATES THAT ALCOHOL BLENDED FUELS (CALLED GASOHOL OR USING ETHANOL OR METHANOL) CAN ATTRACT MOISTURE WHICH LEADS TO SEPARATION AND FORMATION OF ACIDS DURING STORAGE. ACIDIC GAS CAN DAMAGE THE FUEL SYSTEM OF AN ENGINE WHILE IN STORAGE.

- Drain the fuel tank.
- Start the engine and let it run until the fuel lines and carburetor are empty.
- Never use engine or carburetor cleaner products in the fuel tank or permanent damage may occur.
- Use fresh fuel next season.

**NOTE:** Fuel stabilizer is an acceptable alternative in minimizing the formation of fuel gum deposits during storage. Add stabilizer to gasoline in fuel tank or storage container. Always follow the mix ratio found on stabilizer container. Run engine at least 10 minutes after adding stabilizer to allow the stabilizer to reach the carburetor. Do not drain the gas tank and carburetor if using fuel stabilizer.

### ENGINE OIL

Drain oil (with engine warm) and replace with clean engine oil. (See "ENGINE" in the Customer Responsibilities section of this manual).

### CYLINDERS

- Remove spark plug(s).
- Pour one ounce of oil through spark plug hole(s) into cylinder(s).
- Turn ignition key to "START" position for a few seconds to distribute oil.
- Replace with new spark plug(s).

### OTHER

- Do not store gasoline from one season to another.
- Replace your gasoline can if your can starts to rust. Rust and/or dirt in your gasoline will cause problems.
- If possible, store your tractor indoors and cover it to give protection from dust and dirt.
- Cover your tractor with a suitable protective cover that does not retain moisture. Do not use plastic. Plastic cannot breathe which allows condensation to form and will cause your tractor to rust.

**IMPORTANT:** NEVER COVER TRACTOR WHILE ENGINE AND EXHAUST ARE STILL WARM.

# TROUBLESHOOTING POINTS

PROBLEM	CAUSE	CORRECTION
Will not start	<ol style="list-style-type: none"> <li>1 Out of fuel</li> <li>2 Engine not "CHOKED" properly</li> <li>3 Engine flooded</li> <li>4 Bad spark plug</li> <li>5 Dirty air filter</li> <li>6 Dirty fuel filter</li> <li>7 Water in fuel</li> <li>8 Loose or damaged wiring</li> <li>9 Carburetor out of adjustment</li> <li>10 Engine valves out of adjustment</li> </ol>	<ol style="list-style-type: none"> <li>1 Fill fuel tank</li> <li>2 See "TO START ENGINE" in Operation section</li> <li>3 Wait several minutes before attempting to start</li> <li>4 Replace spark plug</li> <li>5 Clean/replace air filter</li> <li>6 Replace fuel filter</li> <li>7 Drain fuel tank and carburetor, refill tank with fresh gasoline and replace fuel filter</li> <li>8 Check all wiring</li> <li>9 See "To Adjust Carburetor" in Service Adjustments section</li> <li>10 Contact an authorized service center/department</li> </ol>
Hard to start	<ol style="list-style-type: none"> <li>1 Dirty air filter</li> <li>2 Bad spark plug</li> <li>3 Weak or dead battery</li> <li>4 Dirty fuel filter</li> <li>5 Stale or dirty fuel</li> <li>6 Loose or damaged wiring</li> <li>7 Carburetor out of adjustment</li> <li>8 Engine valves out of adjustment</li> </ol>	<ol style="list-style-type: none"> <li>1 Clean/replace air filter</li> <li>2 Replace spark plug</li> <li>3 Recharge or replace battery</li> <li>4 Replace fuel filter</li> <li>5 Drain fuel tank and refill with fresh gasoline</li> <li>6 Check all wiring</li> <li>7 See "To Adjust Carburetor" in Service Adjustments section</li> <li>8 Contact an authorized service center/department</li> </ol>
Engine will not turn over	<ol style="list-style-type: none"> <li>1 Clutch/brake pedal not depressed</li> <li>2 Attachment clutch is engaged</li> <li>3 Weak or dead battery</li> <li>4 Blown fuse</li> <li>5 Corroded battery terminals</li> <li>6 Loose or damaged wiring</li> <li>7 Faulty ignition switch</li> <li>8 Faulty solenoid or starter</li> <li>9 Faulty operator presence switch(es)</li> </ol>	<ol style="list-style-type: none"> <li>1 Depress clutch/brake pedal</li> <li>2 Disengage attachment clutch</li> <li>3 Recharge or replace battery</li> <li>4 Replace fuse</li> <li>5 Clean battery terminals</li> <li>6 Check all wiring</li> <li>7 Check/replace ignition switch</li> <li>8 Check/replace solenoid or starter</li> <li>9 Contact an authorized service center/department</li> </ol>
Engine clicks but will not start	<ol style="list-style-type: none"> <li>1 Weak or dead battery</li> <li>2 Corroded battery terminals</li> <li>3 Loose or damaged wiring</li> <li>4 Faulty solenoid or starter</li> </ol>	<ol style="list-style-type: none"> <li>1 Recharge or replace battery</li> <li>2 Clean battery terminals</li> <li>3 Check all wiring</li> <li>4 Check/replace solenoid or starter</li> </ol>
Loss of power	<ol style="list-style-type: none"> <li>1 Cutting too much grass/too fast</li> <li>2 Throttle in "CHOKE" position</li> <li>3 Build-up of grass, leaves and trash under mower</li> <li>4 Dirty air filter</li> <li>5 Low oil level/dirty oil</li> <li>6 Faulty spark plug</li> <li>7 Dirty fuel filter</li> <li>8 Stale or dirty fuel</li> <li>9 Water in fuel</li> <li>10 Spark plug wire loose</li> <li>11 Dirty engine air screen/fins</li> <li>12 Dirty/clogged muffler</li> <li>13 Loose or damaged wiring</li> <li>14 Carburetor out of adjustment</li> <li>15 Engine valves out of adjustment</li> </ol>	<ol style="list-style-type: none"> <li>1 Set in "Higher Cut" position/reduce speed</li> <li>2 Adjust throttle control</li> <li>3 Clean underside of mower housing</li> <li>4 Clean/replace air filter</li> <li>5 Check oil level/change oil</li> <li>6 Clean and regap or change spark plug</li> <li>7 Replace fuel filter</li> <li>8 Drain fuel tank and refill with fresh gasoline</li> <li>9 Drain fuel tank and carburetor, refill tank with fresh gasoline and replace fuel filter</li> <li>10 Connect and tighten spark plug wire</li> <li>11 Clean engine air screen/fins</li> <li>12 Clean/replace muffler</li> <li>13 Check all wiring</li> <li>14 See "To Adjust Carburetor" in Service Adjustments section</li> <li>15 Contact an authorized service center/department</li> </ol>
Excessive vibration	<ol style="list-style-type: none"> <li>1 Worn, bent or loose blade</li> <li>2 Bent blade mandrel</li> <li>3 Loose/damaged part(s)</li> </ol>	<ol style="list-style-type: none"> <li>1 Replace blade Tighten blade bolt</li> <li>2 Replace blade mandrel</li> <li>3 Tighten loose part(s) Replace damaged parts</li> </ol>

# TROUBLESHOOTING POINTS

PROBLEM	CAUSE	CORRECTION
Engine continues to run when operator leaves seat with attachment clutch engaged	1 Faulty operator-safety presence control system.	1 Check wiring, switches and connections. If not corrected, contact an authorized service center/department.
Poor cut - uneven	1 Worn, bent or loose blade 2 Mower deck not level. 3 Buildup of grass, leaves, and trash under mower. 4 Bent blade mandrel 5 Clogged mower deck vent holes from buildup of grass, leaves, and trash around mandrels.	1 Replace blade. Tighten blade bolt. 2 Level mower deck. 3 Clean underside of mower housing. 4 Replace blade mandrel. 5 Clean around mandrels to open vent holes.
Mower blades will not rotate	1 Obstruction in clutch mechanism 2 Worn/damaged mower drive belt 3 Frozen idler pulley. 4 Frozen blade mandrel	1 Remove obstruction. 2 Replace mower drive belt. 3 Replace idler pulley. 4 Replace blade mandrel.
Poor grass discharge	1 Engine speed too slow 2 Travel speed too fast. 3 Wet grass. 4 Mower deck not level. 5 Low/uneven tire air pressure. 6 Worn, bent or loose blade. 7 Buildup of grass, leaves and trash under mower. 8 Mower drive belt worn. 9 Blades improperly installed. 10 Improper blades used. 11 Clogged mower deck vent holes from buildup of grass, leaves, and trash around mandrels.	1 Place throttle control in "FAST" position. 2 Shift to slower speed. 3 Allow grass to dry before mowing. 4 Level mower deck. 5 Check tires for proper air pressure. 6 Replace/sharpen blade. Tighten blade bolt. 7 Clean underside of mower housing. 8 Replace mower drive belt. 9 Reinstall blades sharp edge down. 10 Replace with blades listed in this manual. 11 Clean around mandrels to open vent holes.
Headlight(s) not working (if so equipped)	1 Switch is "OFF" 2 Bulb(s) burned out 3 Faulty light switch. 4 Loose or damaged wiring. 5 Blown fuse.	1 Turn switch "ON". 2 Replace bulb(s). 3 Check/replace light switch. 4 Check wiring and connections. 5 Replace fuse.
Battery will not charge	1 Bad battery cell(s) 2 Poor cable connections. 3 Faulty regulator (if so equipped) 4 Faulty alternator	1 Replace battery. 2 Check/clean all connections. 3 Replace regulator. 4 Replace alternator.
Loss of drive	1 Freewheel control in "disengaged" position. 2 Motion drive belt worn, damaged, or broken. 3 Air trapped in transmission during shipment or servicing.	1 Place freewheel control in "engaged" position. 2 Replace motion drive belt. 3 Purge transmission.
Engine "backfires" when turning engine "OFF"	1 Engine throttle control not set at "SLOW" position for 30 seconds before stopping engine.	1 Move throttle control to "SLOW" position and allow to idle for 30 seconds before stopping engine.

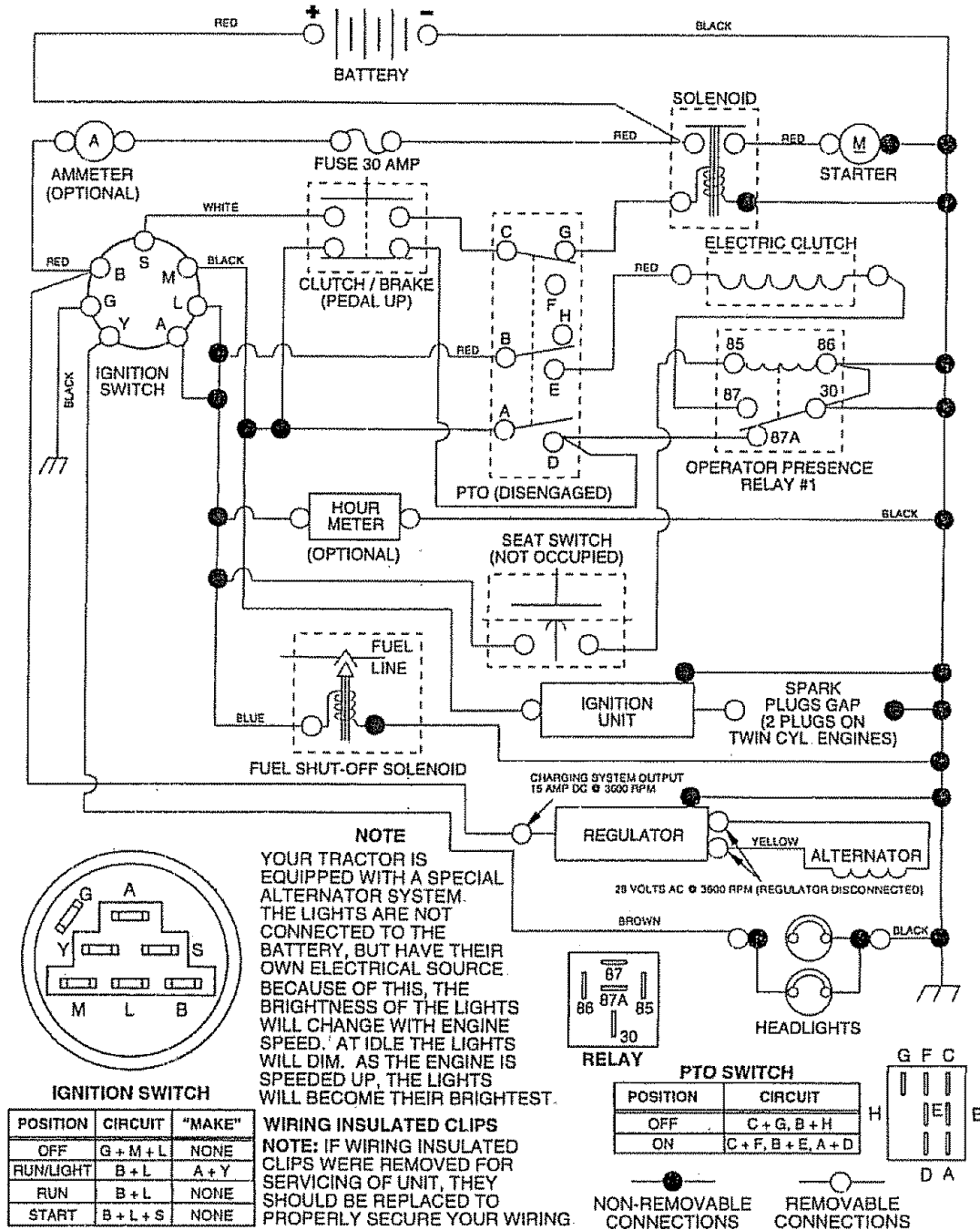
---

## SERVICE NOTES

---

# TRACTOR - - MODEL NUMBER 917.258692

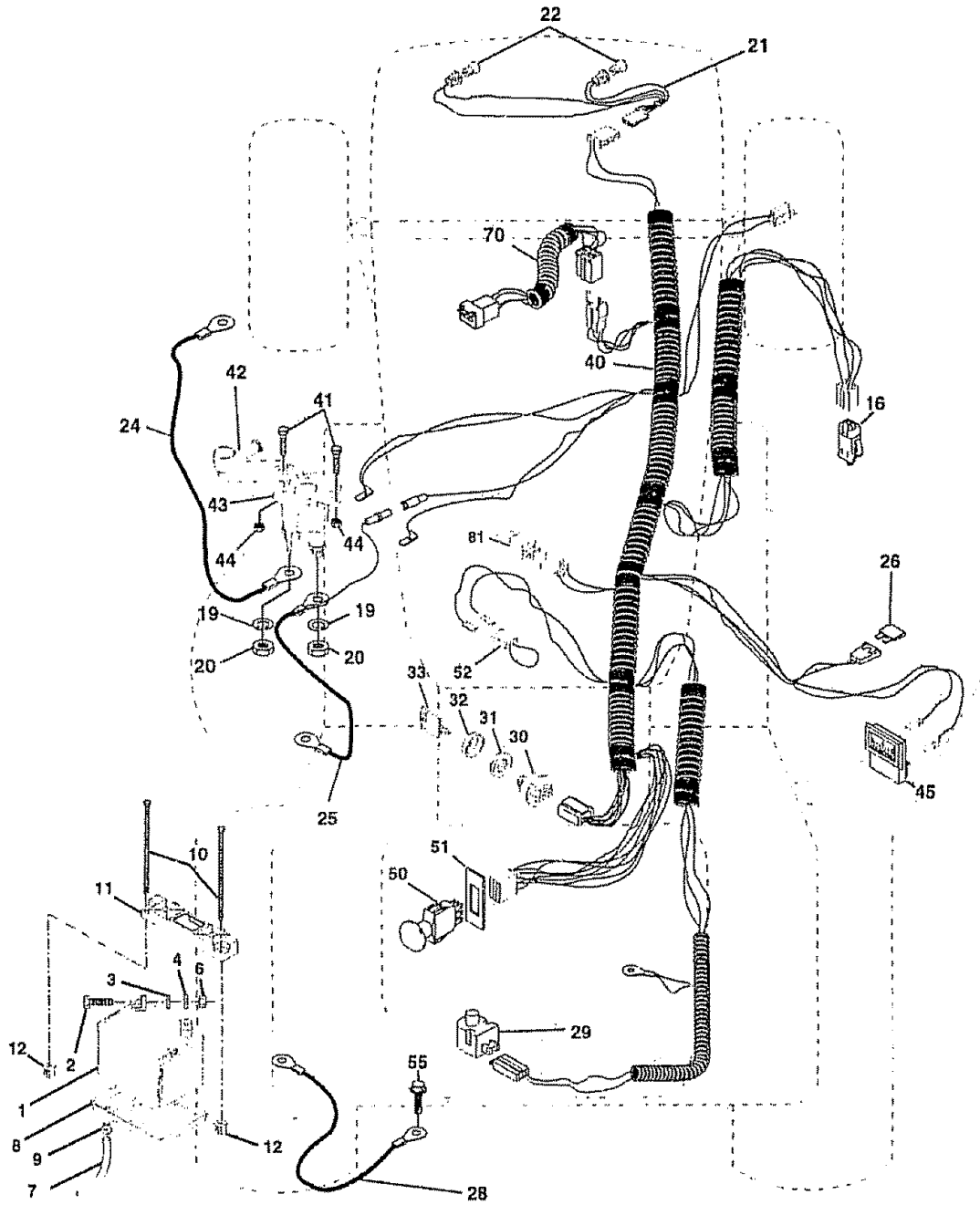
## SCHEMATIC



# REPAIR PARTS

TRACTOR - - MODEL NUMBER 917.258692

## ELECTRICAL





## REPAIR PARTS

TRACTOR - - MODEL NUMBER 917.258692

### ELECTRICAL

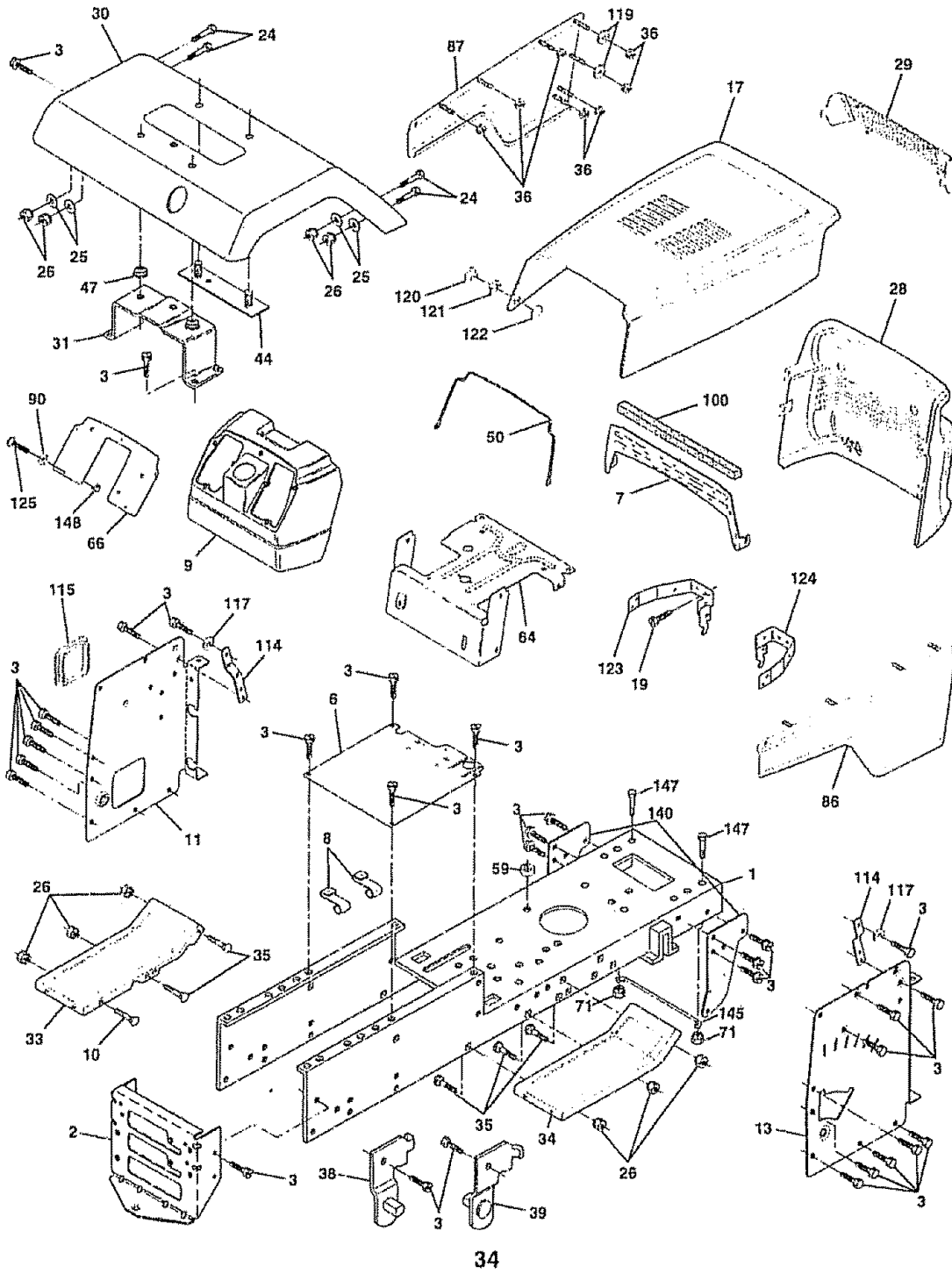
KEY NO.	PART NO.	DESCRIPTION
1	144926	Battery
2	74760412	Bolt, Hex 1/4-20 UNC x 3/4
3	STD551025	Washer
4	STD551125	Washer
6	STD541025	Nut
7	7697J	Tube, Plastic
8	7603J	Tray, Battery
9	109596X	Clamp, Hose
10	145211	Bolt, Btr. Frt 1/4-20 x 7.5
11	150109	Holddown Btr. Dash
12	145769	Nut, Push Nylon 1/4" Battery
16	153664	Switch Interlock Push-In
19	STD551125	Washer, Lock
20	73350400	Nut, Hex, Jam 1/4-20 UNC
21	136850	Harness, Light Socket W/4152J
22	4152J	Bulb, Light
24	4799J	Cable Battery
25	146148	Cable, Battery
26	108824X	Fuse
28	145491	Cable, Ground
29	160784	Switch, Plunger
30	140301	Switch, Ignition
31	124211X	Nut, Ignition
32	141226	Cover, Ignition Switch
33	109310X	Key, Ignition
40	160721	Harness, Ignition
41	71110408	Bolt Blk Fin. Hex 1/4-20 UNC x 1/2
42	131563	Cover, Terminal
43	145673	Solenoid
44	73640400	Nut, Keps Blk. Hex 1/4-20 UNC
45	122822X	Ammeter Rectangular 15 Amp
50	154963	Switch PTO 3 Pot Red Delta
51	140405	Ring Retainer PTO
52	141940	Wire Loop
55	17490508	Screw Thdrol 5/16-18 x 1/2 TYT
70	140427	Harness Engine Koh 18 TWN 15 AR
81	109746X	Relay Asm

NOTE: All component dimensions given in U.S. inches  
1 inch = 25.4 mm

# REPAIR PARTS

TRACTOR - - MODEL NUMBER 917.258692

## CHASSIS AND ENCLOSURES



# REPAIR PARTS

## TRACTOR - - MODEL NUMBER 917.258692

### CHASSIS AND ENCLOSURES

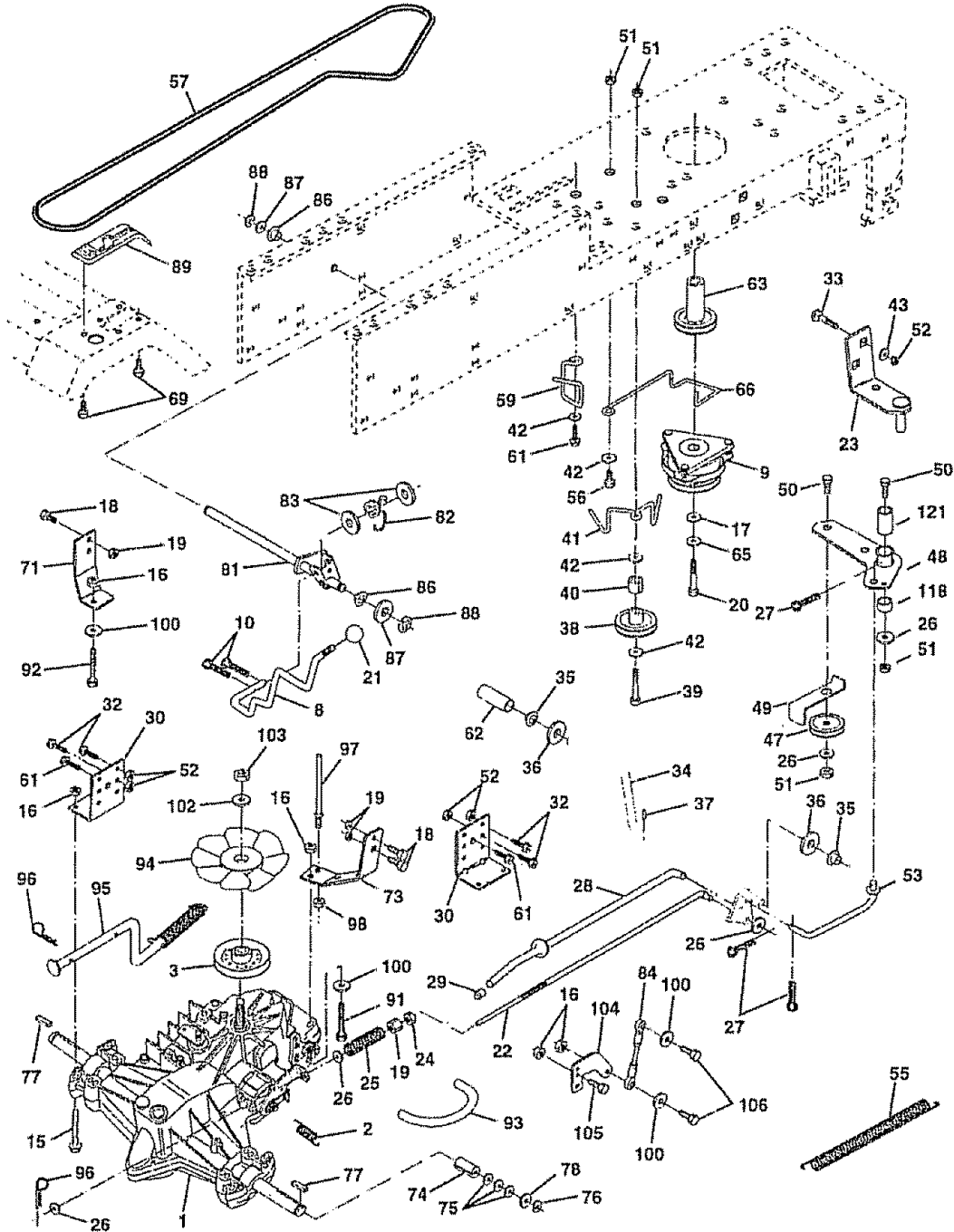
KEY NO.	PART NO.	DESCRIPTION
1	159530	Chassis
2	140356	Drawbar
3	17490612	Screw, Thdrol. 3/8-16 x 3/4 Type TT
6	155923	Saddle
7	145351	Shield Heat Kohler MV18
8	126471X	Clip, Fuel Line
9	145203	Dash, Plastic
10	STD533710	Bolt, Carriage 3/8-16 x 1
11	145218	Panel, Dash, LH
13	145217	Panel, Dash, RH
17	136673X558	Hood Assembly
19	17521312	Screw Sltd Hex Hd W/PI
24	STD523710	Bolt
25	19131312	Washer 13/32 x 13/16 x 12 Gauge
26	STD541437	Nut
28	136373X428	Grill
29	136374	Lens, Bar, Clear
30	140002X558	Fender
31	137113	Bracket Assembly, Fender
33	145244X558	Footrest, LH
34	145243X558	Footrest, RH
35	STD533707	Bolt
36	108067X	Nut, Pal
38	139886	Bracket Assembly, Pivot, LH
39	139887	Bracket Assembly, Pivot, RH
44	140675	Fender Strap
47	105531X	Nut, Push, Nylon
50	137304	Rod, Support Hood
59	110436X	Bushing, Snap, Split
64	150272	Dash, Lower
66	156281X012	Plate, Dash
71	73640400	Nut
86	136670X558	Panel Assembly, RH
87	136671X558	Panel Assembly, LH
90	STD551025	Washer 17/64
100	105037X	Strip Foam 18"
114	145349	Bracket, Support, Dash
115	121794X	Cover, Access
117	144283	Washer Serrated Disk 13/32 x 1
119	19092016	Washer 9/32 x 1-1/4 x 16 Ga
120	137271	Rivet, Ratchet, Female
121	137269	Washer, Nylon
122	137270	Rivet, Ratchet, Male
123	157105	Bracket, Weldment Pivot Hood, LH
124	157107	Bracket, Weldment Pivot Hood, RH
125	74180412	Screw, Machine 1/4-20 x 3/4
140	158418	Bracket Suspension Front
145	156524	Rod Pivot Chassis/Hood
147	74760412	Bolt Hex Hd 1/4-20unc x 3/4
--	8022J	Plug Dash Blk 500 Dia E. Lift

NOTE: All component dimensions given in U.S. inches  
1 Inch = 25.4 mm

# REPAIR PARTS

TRACTOR -- MODEL NUMBER 917.258692

## DRIVE



# REPAIR PARTS

TRACTOR - - MODEL NUMBER 917.258692

## DRIVE

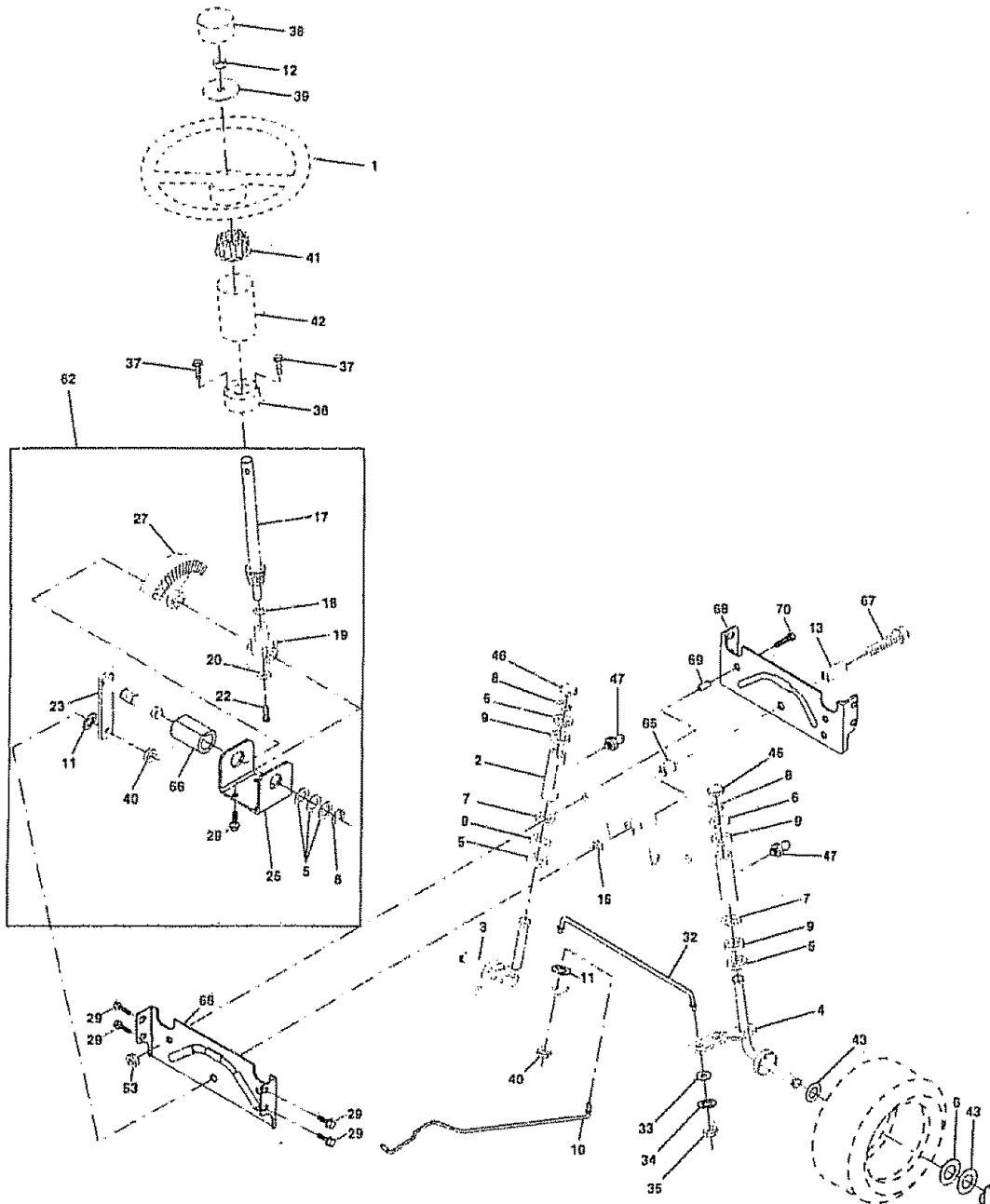
KEY NO.	PART NO.	DESCRIPTION	KEY NO.	PART NO.	DESCRIPTION
1	150071	Transaxle Assembly	57	140294	V-Belt, Drive
2	142431	Spring, Brake Return	59	140312	Retainer, Belt
3	143995	Pulley, Transaxle	61	17490612	Screw Thdrol 3/8-16 x 3/4
8	141002	Rod, Shifter	62	8883R	Cover, Foot Pedal
9	137140	Clutch, Electric	63	140189	Pulley, Engine
10	76020416	Pin, Cotter 1/8 x 1	65	STD551143	Washer, Lock Hvy Hicl Spr 7/16
15	74490544	Bolt, Hex Fighd 5/16-18 Gr. 5	66	154778	Keeper Belt Engine
16	73800500	Nut Lock Hx W/lins 5/16-18unc	69	142432	Screw
17	126197X	Washer 15/32 x 1-3/4 x 1/4	71	140158	Strap Torque Lh Hydro 18/20"T
18	74780616	Bolt Fin Hex 3/8-16 UNC x 1 Gr. 5	73	156347	Strap Torque Rh Hydro 18/20"T
19	73800600	Locknut 3/8-16	74	121199X	Spacer, Split
20	150280	Bolt, Hex 7/16-20 x 4-1/4	75	121749X	Washer 25/32 x 1-1/4 x 16 Ga.
21	130564	Knob	76	12000001	E-Ring
22	145627	Rod, Brake	77	123583X	Key Square
23	137141	Bracket Assembly, Clutch	78	121748X	Washer 25/32 x 1-5/8 x 16 Ga.
24	73350600	Nut, Hex Jam 3/8-16	81	156046	Shaft asm Cross 20" tires 650 Hydro
25	106888X	Spring, Rod, Brake	82	123782X	Spring, Torsion
26	19131316	Washer 13/32 x 13/16 x 16 Gauge	83	19171216	Washer 17/32 x 3/4 x 16 Gauge
27	76020412	Pin, Cotter 1/8 x 3/4	84	140548	Rod, Tie
28	145204	Rod, Brake, Park	86	71208	Bushing, Rod, Steering
29	124236X	Cap, Plunger	87	19212016	Washer 21/32 x 1-1/4 x 16 Gauge
30	130807	Bracket, Transaxle, L.H.	88	12000008	Ring, Klip
32	74760512	Bolt, Hex Hd 5/16-18 UNC x 3/4	89	151146	Console, 6 Speed
33	STD533107	Bolt, Carriage 5/16-18 x 3/4	91	74780536	Bolt Fin Hex 5/16-18 x 2-1/4
34	155071	Shaft, Foot Pedal	92	74780524	Bolt Fin Hex 5/16-18 UNC x 1-1/2
35	120183X	Bearing Nylon	93	142564	Line Fuel Hydro 4"
36	19211616	Washer 21/32 x 1 x 16 Gauge	94	140462	Fan, Hydro 7"
37	1572H	Pin, Roll 3/16 x 1	95	144643	Control Bypass Hydro 20" Tires
38	123674X	Idler, Flat	96	4497H	Retainer Spring 1" Zinc/Cad
39	74760644	Bolt, Hex 3/8-16 x 2-3/4	97	140469	Keeper Bolt Rh Hydro 0750. 18/20"
40	4470J	Spacer	98	73510600	Nut Keps Hex 3/8-16 UNC
41	154777	Keeper, Belt Idler	100	19111216	Washer 11/32 x 3/4 x 16 Ga.
42	19131312	Washer 13/32 x 13/16 x 12 Gauge	102	141322	Washer Bellville .501D x 1.50D
43	19111012	Washer 11/32 x 5/8 x 12 Gauge	103	73940800	Nut Hex Jam Toplock 1/2-20 UNF
47	127783	Pulley, Idler	104	140156	Arm, Control Hydro
48	154604	Bellcrank, Asm. Clutch	105	71070516	Screw Cap Hex 5/16 x 18 x 1
49	123205X	Retainer, Belt	106	74780520	Bolt Fin Hex 5/16-18 UNC x 1-1/4
50	74760624	Bolt, Hex 3/8-16 x 1-1/2	118	154774	Spacer Bellcrank
51	STD541437	Nut, Crownlock 3/8-16	121	154419	Nyliner Clutching Stl
52	73680500	Nut, Lock Hex w/lins 5/16-18			
53	105710X	Link, Clutch			
55	105709X	Spring, Return, Clutch			
56	74760620	Bolt, Fin. Hex 3/8-16 UNC x 1-1/4			

NOTE: All component dimensions given in U.S. inches  
1 Inch = 25.4 mm

# REPAIR PARTS

TRACTOR - - MODEL NUMBER 917.258692

## STEERING ASSEMBLY



# REPAIR PARTS

## TRACTOR - - MODEL NUMBER 917.258692

### STEERING ASSEMBLY

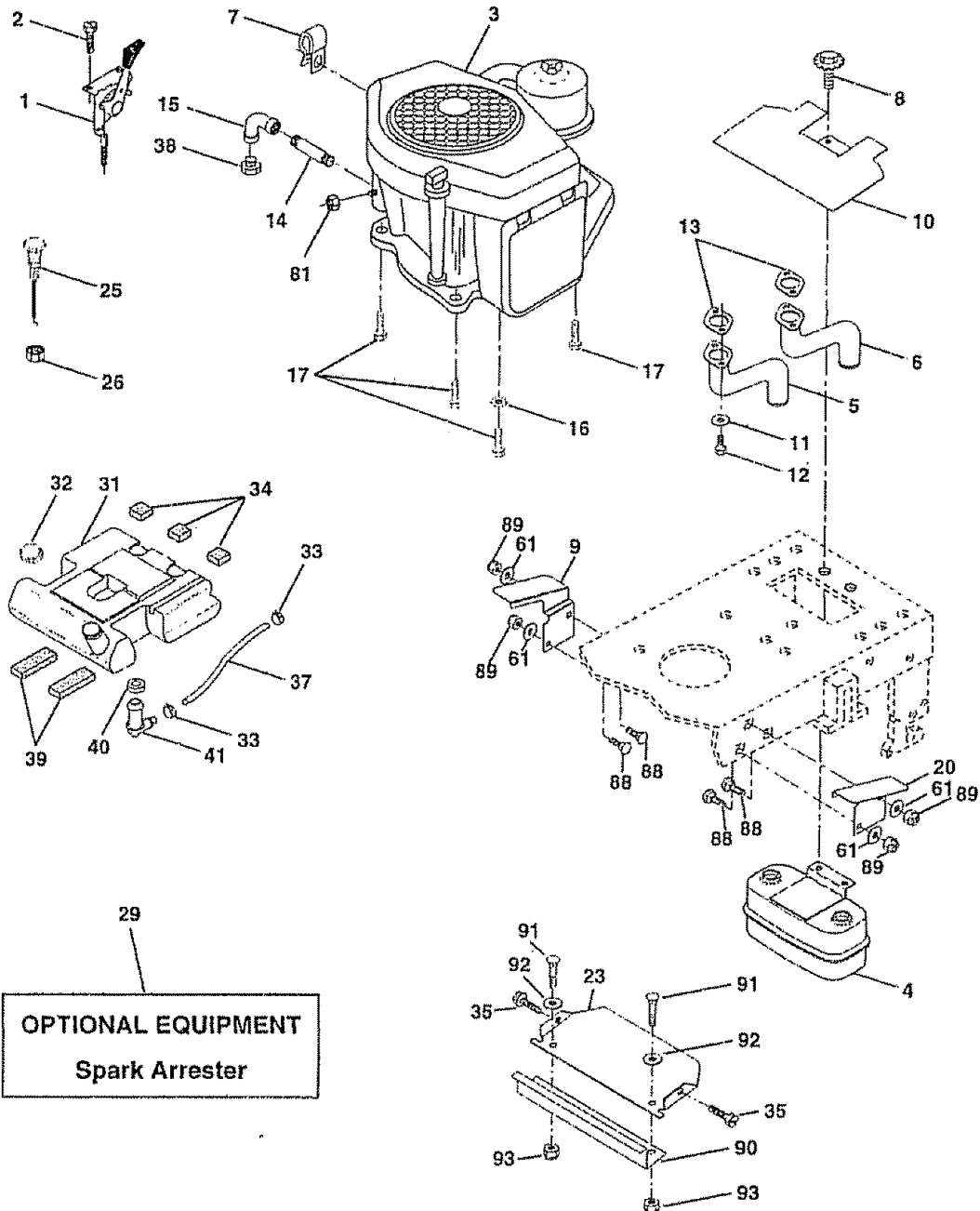
KEY NO.	PART NO.	DESCRIPTION
1	121472X	Steering Wheel
2	154427	Axle Assembly, Front
3	156483	Spindle Assembly, LH
4	157473	Spindle Assembly, RH
5	6266H	Bearing, Race, Thrust, Hardened
6	121748X	Washer 25/32 x 1-5/8 x 16 Gauge
7	19272016	Washer 27/32 x 1-1/4 x 16 Gauge
8	12000029	Ring, Klip
9	3366R	Bearing
10	156438	Link, Drag
11	STD551137	Washer, Lock
12	73940800	Nut, Hex, Jam Toplock 1/2-20 UNF
13	154779	Bearing, Axle
15	73901000	Locknut, Hex, Jam, w/Washer Insert 5/8-11 UNC
17	156543	Shaft Assembly, Steering
18	57079	Washer, Thrust .515 x .750 x .033
19	124035X	Support, Shaft
20	126684X	Washer, Shim 1/4 x 5/8 x .062
22	71200410	Screw Hex Socket 1/4-20 x 2-3/4
23	127501	Shaft Assembly, Pittman
25	154406	Bracket, Steering
27	136874	Gear, Sector
29	17490612	Screw, Thdrol 3/8-16 x 3/4
32	139929	Tie Rod
33	19111216	Washer 11/32 x 3/4 x 16 Ga.
34	STD551131	Washer Lock Hvy Hillcl Spr. 5/16
35	73810500	Locknut 5/16-24 UNF
36	145207	Bushing, Steering
37	152927	Screw TT #10-32 5 3/8 Flange
38	126805X	insert, Cap, Steering Wheel
39	100712K	Washer .53 x 2.25 x .160
40	STD541537	Nut Lock Center 3/8-24 UNF
41	100711L	Adapter, Steering Wheel
42	140216	Column, Steering
43	121749X	Washer 25/32 x 1-1/4 x 16 Gauge
46	121232X	Cap, Spindle
47	6855M	Fitting, Grease
53	73680600	Nut, Crownlock 3/8-16 UNC
62	156595	Kit, Steering Assembly
65	154780	Spacer Axle
66	154404	Bearing Arm Pittman
67	74781044	Bolt Fin Hex 5/8-11 UNC x 2-3/4
68	154429	Brace Axle
69	160367	Spacer, Brace Axle
70	74780636	Bolt, Fin Hex 3/8-16 UNC x 2-1/4

**NOTE:** All component dimensions given in U.S. inches  
1 Inch = 25.4 mm

# REPAIR PARTS

TRACTOR - - MODEL NUMBER 917.258692

## ENGINE





# REPAIR PARTS

TRACTOR - - MODEL NUMBER 917.258692

## ENGINE

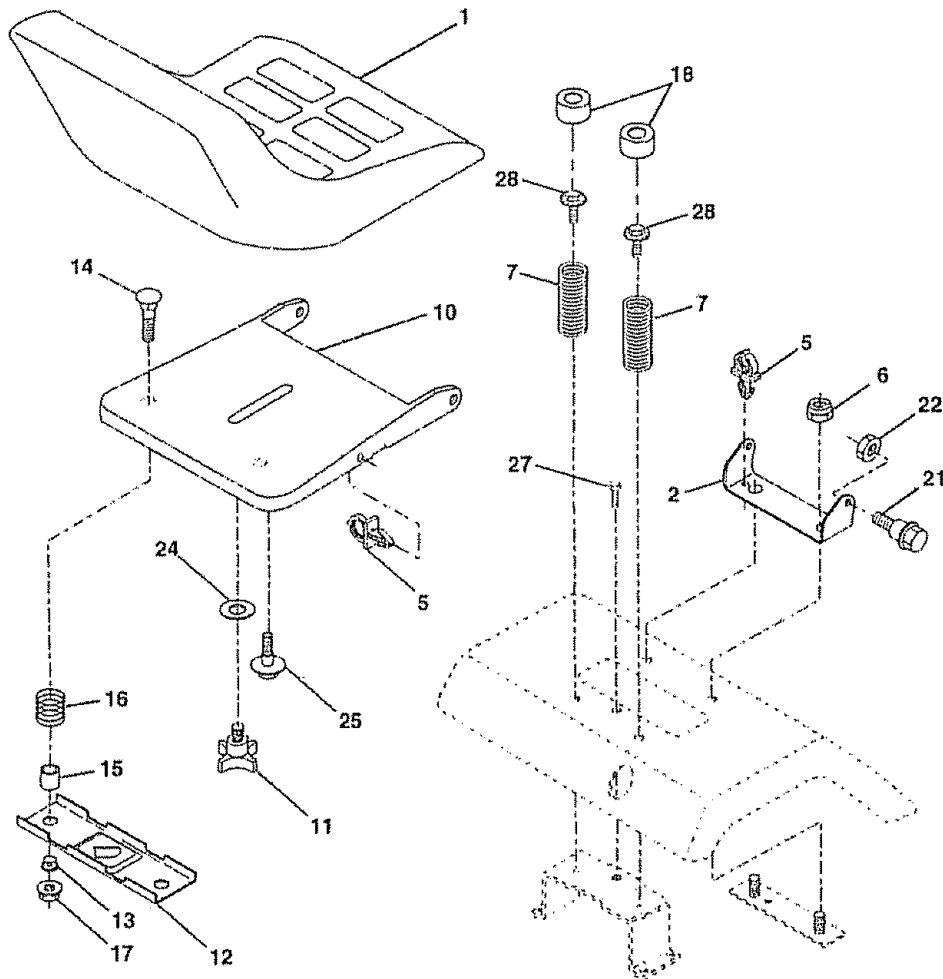
KEY NO.	PART NO.	DESCRIPTION
1	132755	Control, Throttle
2	17720410	Screw, Hex Head, Thread Cutting 1/4-20 x 5/8
3	-----	Engine (See Breakdown) Kohler Model No. MV18S-PS58560
4	149723	Muffler, Asm. Twin Lo-Tone
5	136215	Tube Manifold LH Kohler MV18
6	136216	Tube Manifold RH Kohler MV18
7	138129	Clamp Tube Double Engine
8	150176	Bolt 5/16-18 UNC x 3/4 w/Sems
9	156425	Shield Heat Browning LH
10	145552	Shield Heat
11	STD551131	Washer Lock Hvy HLCL Spr. 5/16
12	74570512	Screw Hex Skt 5/16 UNV x 3/4
13	-----	Gasket (Order From Engine Manufacturer)
14	13280336	Nipple, Pipe
15	13200300	Elbow, Standard 90°, 3/8-18 NPT
16	STD551237	Washer, Lock
17	17490624	Screw Thdrol 3/8-16 x 1-1/2 TT
20	156426	Shield Heat Browning RH
23	156123	Shield, Browning
25	138672	Control Choke
26	73920600	Nut Keps 3/8-24 UNF
29	137180	Arrester, Spark
31	151346	Tank, Fuel
32	152334	Cap Assembly, Fuel
33	123487X	Clamp, Hose
34	106082X	Spacer, Pad
35	17490512	Screw Thdrol 5/16-18 x 3/4 TYT
37	8543R	Line, Fuel
38	-----	Plug, Oil Drain (Order From Engine Manufacturer)
39	109227X	Spacer Pad
40	3645J	Bushing
41	139277	Stem, Fuel Tank
61	19111216	Washer 11/32 x 3/4 x 16 Ga.
81	128861	Nut Flange 1/4-20 Starter Nut
88	72110506	Bolt Rdhd Sqnk 5/16-18 UNC x 3/4
89	73800500	Nut, Lock Hex w/lns 5/16-18 UNC
90	159520	Guard Debris
91	71110408	Bolt Elk Fin Hex 1/4-20 UNC x 1/2
92	19091016	Washc 9/32 x 5/8 x 16 Ga
93	123976X	Nut Lock 1/4 Lge Fig Gr. 5

NOTE: All component dimensions given in U.S. inches  
1 inch = 25.4 mm

# REPAIR PARTS

TRACTOR - - MODEL NUMBER 917.258692

## SEAT ASSEMBLY



KEY NO.	PART NO.	DESCRIPTION
1	140123	Seat
2	140551	Bracket, Pivot, Seat
5	145006	Clip Push-In
6	STD541437	Nut, Lock Hex w/Ins. 3/8-16 UNC
7	124181X	Spring, Seat
10	155925	Pan, Seat
11	120068X	Knob, Seat
12	121246X	Bracket, Switch Mounting
13	121248X	Bushing, Snap, Nylon
14	72050412	Bolt, Carriage 1/4-20 x 1-1/2
15	134300	Spacer, Split

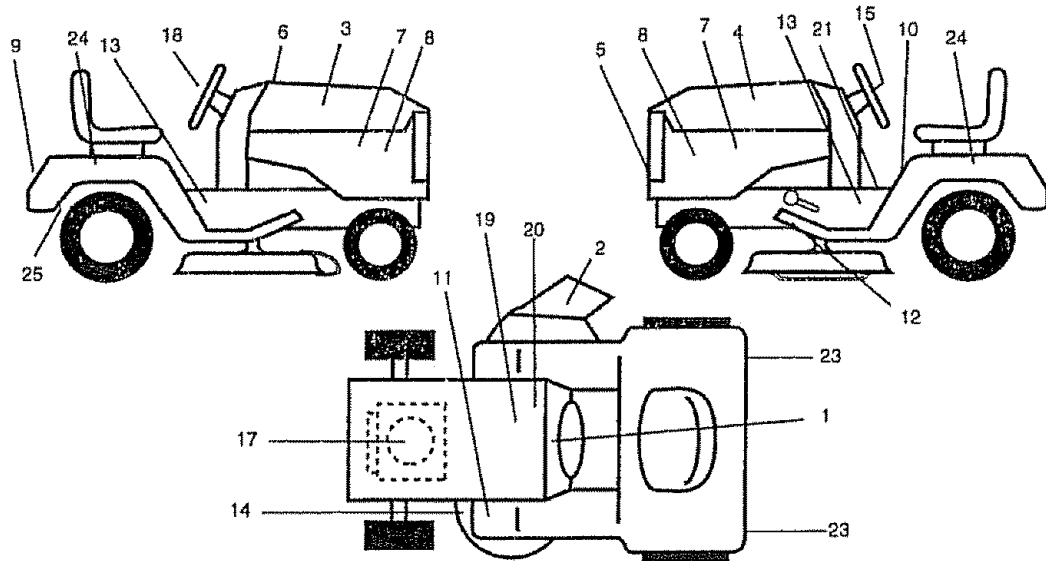
KEY NO.	PART NO.	DESCRIPTION
16	121250X	Spring
17	123976X	Nut, Flangelock 1/4 Grade 5
18	124238X	Cap, Spring, Seat
21	153236	Bolt, Shoulder 5/16-18 UNC - 2A
22	STD541431	Nut
24	19171912	Washer 17/32 x 1-3/16 x 12 Gauge
25	127018X	Bolt, Shoulder 5/16-18 x .62
27	17490608	Screw Thdrol. 3/8-16 x 1/2
28	150176	Bolt 5/16-18 x 3/4 w/Sems

NOTE: All component dimensions given in U.S. inches  
1 inch = 25.4 mm

# REPAIR PARTS

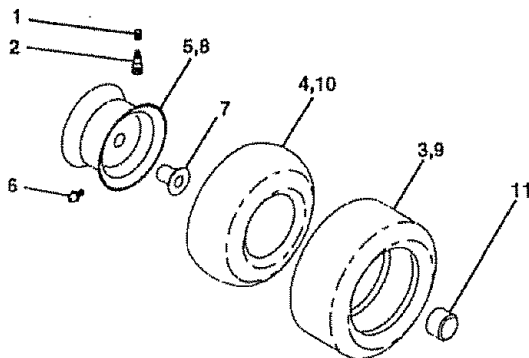
## TRACTOR - - MODEL NUMBER 917.258692

### DECALS



KEY NO.	PART NO.	DESCRIPTION	KEY NO.	PART NO.	DESCRIPTION
1	156835	Decal, Operating Instruction	14	160397	Decal, V-Belt Schematic
2	156787	Decal, Deck Mower, EZ3	15	150333	Decal, Cap Cnsmr Help Line Srs.
3	160291	Decal, Hood, Craftsman, RH	17	52-113-50	Decal, HP Engine
4	160292	Decal, Hood, Craftsman, LH	18	146710	Decal, Insert Strg
5	151400	Decal, Grille	19	138047	Decal, Battery
6	133644	Decal, Maintenance	20	149516	Decal, Btry, Dngr/Psn. Eng. Acme
7	138048	Decal, Side Panel	21	140837	Decal, Brake Parking Saddle
8	142243	Decal, Side Panel	23	106202X	Reflector, Taillight
9	146709	Decal, Fender, Craftsman	24	149918	Decal, Fend Auto Trans
10	156439	Decal, Caution	25	142341	Decal, Drawbar Cntrl Mvt
11	4900J	Decal, Clutch/Brake	--	138311	Decal, Handle Lift Height Adj.
12	146046	Decal, V-Belt Drive Schematic	--	145246	Pad Footrest
13	151401	Decal, Chassis, 46" Hydro Srs. Polo	--	145247	Fastener Pop-in Footrest
			--	161000	Manual, Owner's (Eng)
			--	161001	Manual, Owners (Span)

### WHEELS & TIRES



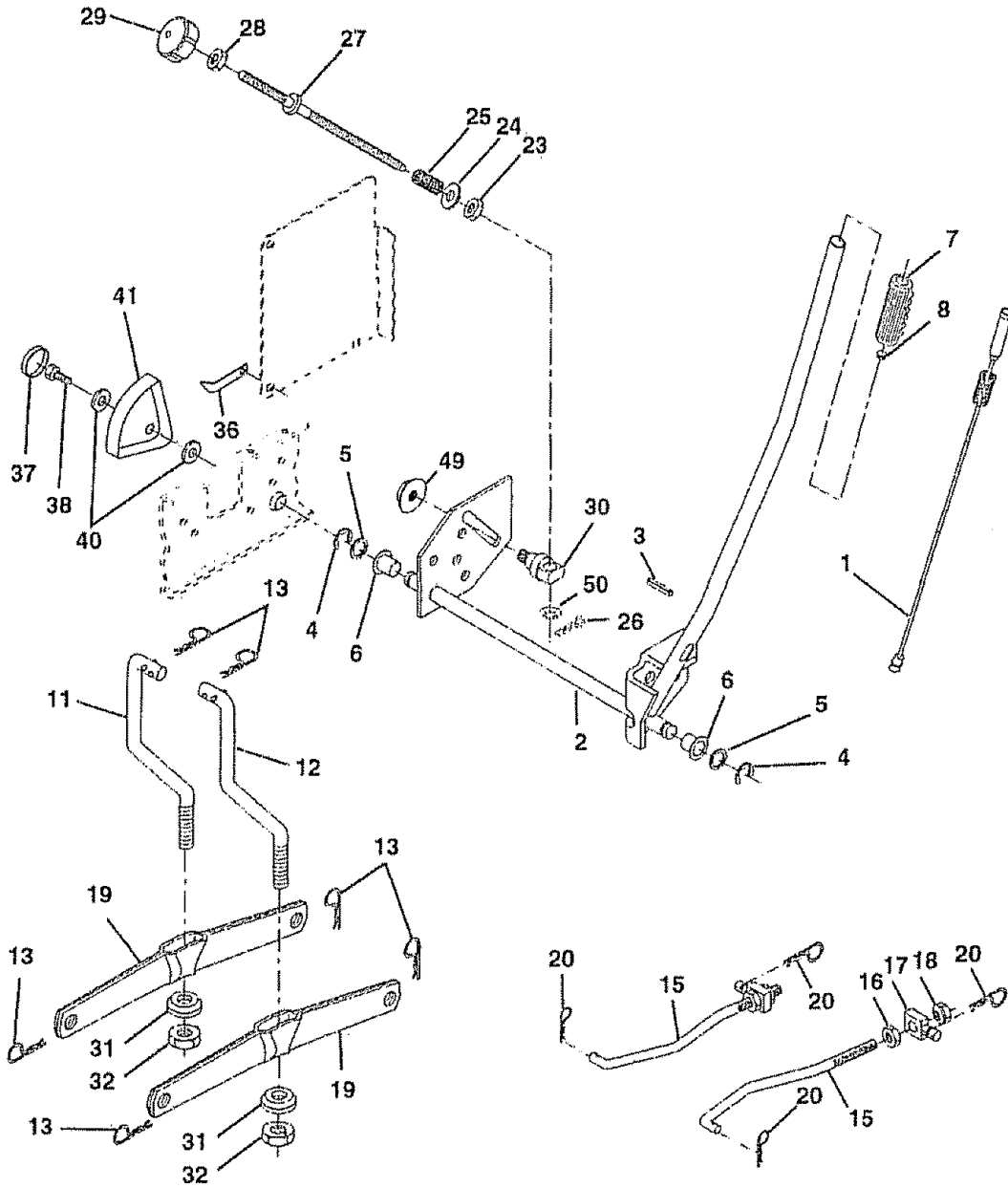
KEY NO.	PART NO.	DESCRIPTION
1	59192	Cap, Valve, Tire
2	65139	Stem, Valve
3	106222X	Tire, Front
4	59904	Tube, Front (Service Item Only)
5	106732X427	Rim Assembly, Front
6	278H	Fitting, Grease (Front Wheel Only)
7	9040H	Bearing, Flange (Front Wheel Only)
8	106108X427	Rim Assembly, Rear
9	122082X	Tire, Rear
10	7152J	Tube, Rear (Service Item Only)
11	104757X	Cap, Axle
--	144334	Sealant, Tire (10 oz. Tube)

**NOTE:** All component dimensions given in U.S. inches  
1 inch = 25.4 mm

# REPAIR PARTS

TRACTOR - - MODEL NUMBER 917.258692

## MOWER LIFT



## REPAIR PARTS

TRACTOR - - MODEL NUMBER 917.258692

### MOWER LIFT

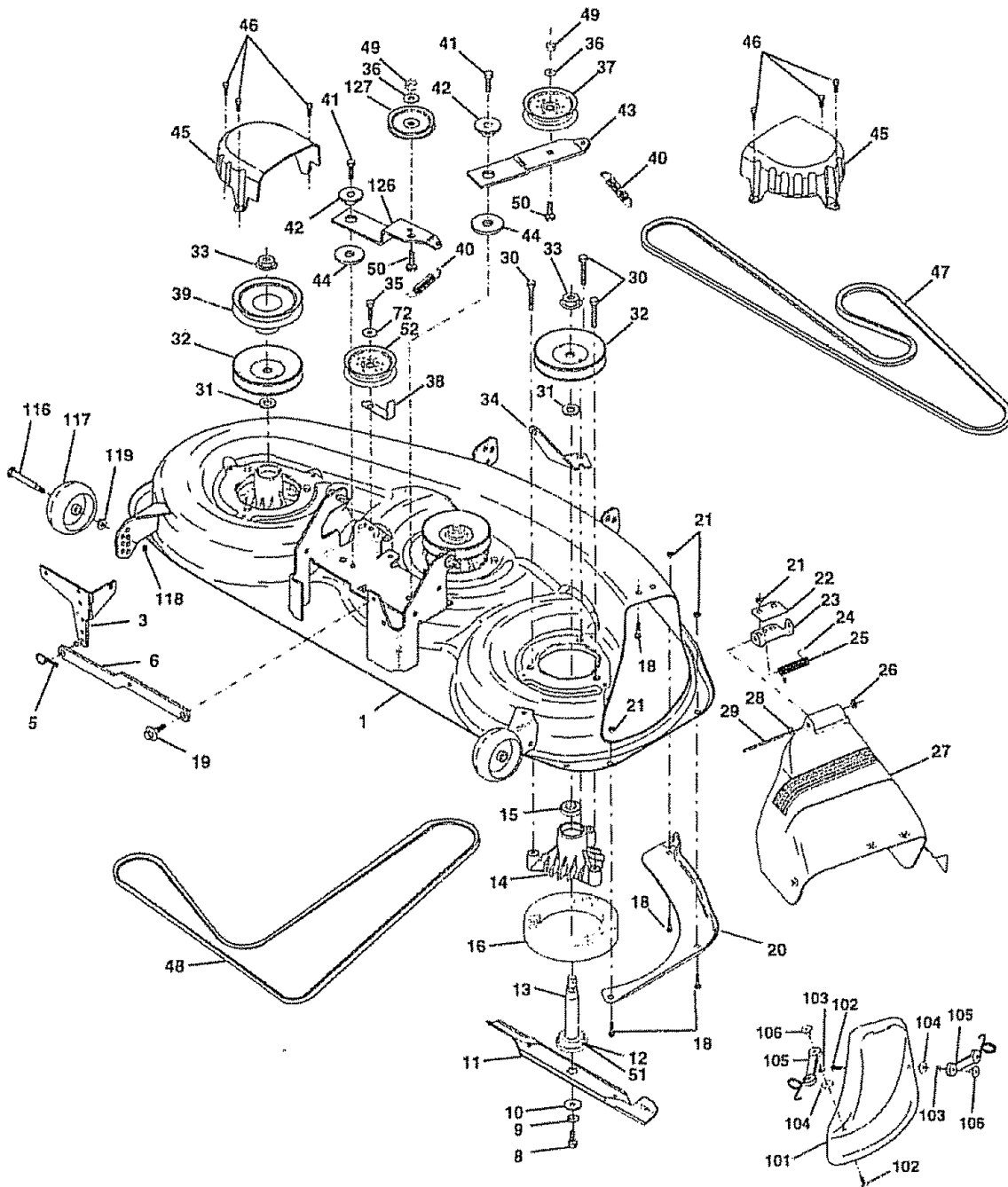
KEY NO.	PART NO.	DESCRIPTION
1	159461	Wire Asm., Inner w/plunger
2	159476	Shaft Asm Lift
3	138284	Pin Groove
4	12000002	E Ring #5133-62
5	19211621	Washer 21/32 X 1 X 21 Ga
6	120183X	Bearing Nylon
7	125631X	Grip Handle Fluted
8	122365X	Button, Plunger
11	139865	Link Lift Lh
12	139866	Link Lift Rh
13	STD624008	Retainer Spring
15	127218	Link Front
16	73350800	Nut Jam Hex 1/2-13 Unc
17	130171	Trunnion Blk Zinc
18	73800800	Nut Lock W/Wsh 1/2-13 Unc
19	139868	Arm Suspension Rear
20	STD624008	Spring Retainer
23	110807X	Nut Special
24	19131016	Washer 13/32 X 5/8 X 16 Ga
25	137150	Spring*
26	76020308	Pin Cotter 3/32 x 1/2
27	137167	Rod Adjust Lift
28	73350600	Nut Hex Jam 3/8-16 Unc
29	138057	Knob Infinite 3/8-16 Unc Black
30	150233	Trunnion Infin Height
31	140302	Bearing Pvt. Lift Spherical
32	73540600	Nut, Crownlock 3/8-24
36	155097	Pointer, Height Indicator
37	123935X	Plug, Hole
38	17490512	Screw Thdrol 5/16-18 x 3/4
40	19112410	Washer 11/32 x 1-1/2 x 10 Gauge
41	123934X	Scale, Height Indicator
49	145212	Nut Hex Flange Lock
50	110452X	Nut Push Phos & Oil

NOTE: All component dimensions given in U.S. inches  
1 inch = 25.4 mm

# REPAIR PARTS

TRACTOR -- MODEL NUMBER 917.258692

## MOWER DECK



# REPAIR PARTS

TRACTOR - - MODEL NUMBER 917.258692

## MOWER DECK

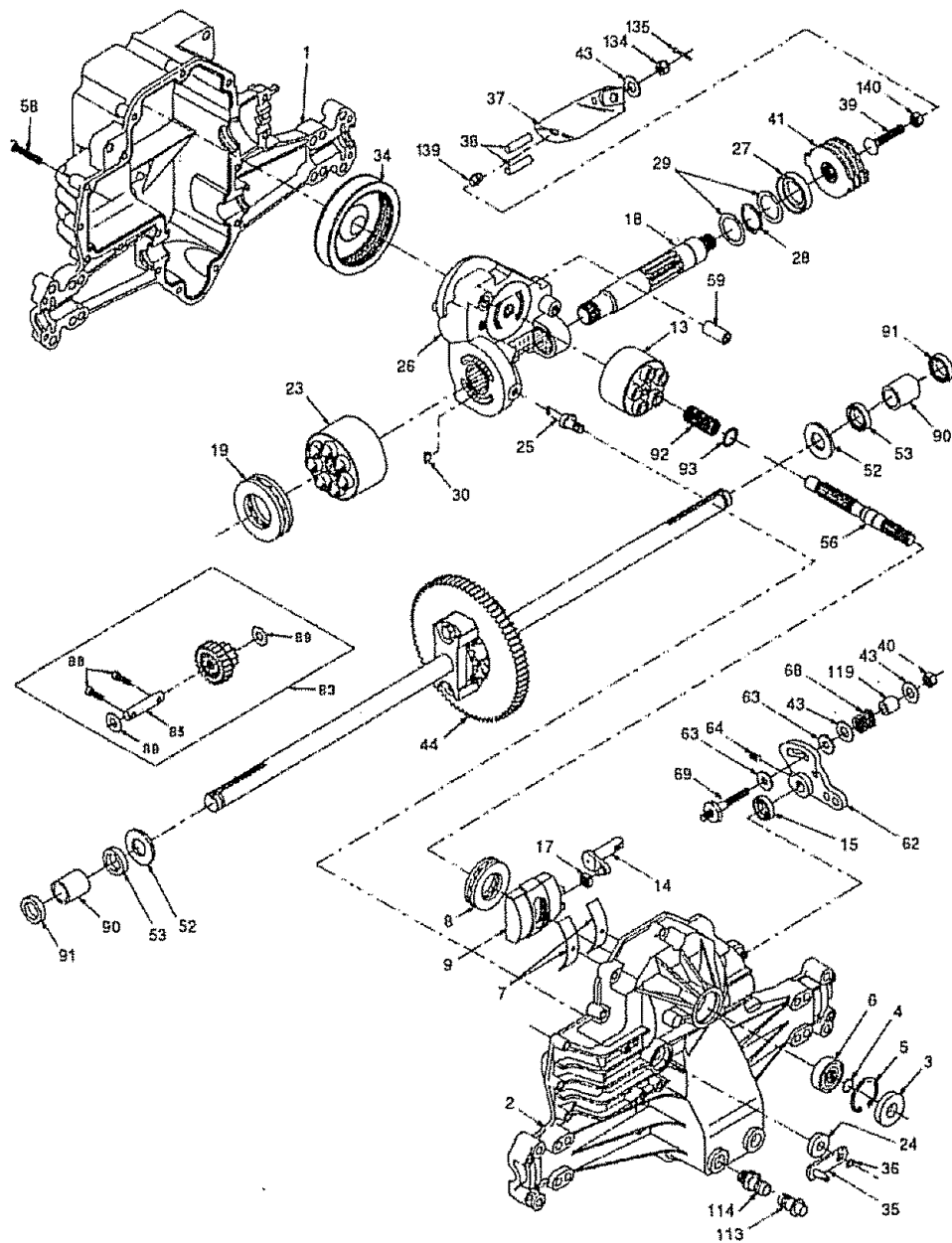
KEY NO.	PART NO.	DESCRIPTION	KEY NO.	PART NO.	DESCRIPTION
1	156948	Housing, Mower 46"	39	144917	Pulley, Idler, Driven
3	138457	Bracket Asm., Sway Bar	40	137273	Spring, Secondary 44/46/50 Vent
5	STD624008	Retainer Spring	41	17490620	Screw, Thdroll 3/8-16 x 1-1/4 Tytt
6	130832	Arm, Suspension, Rear (Sway Bar)	42	122052X	Spacer, Retainer
8	850857	Bolt, Patched 3/8-24 x 1-1/4 Gr. B	43	144949	Arm, Idler Secondary
9	STD551137	Washer, Lock Hvy., Unplated 3/8	44	133943	Washer, Hardened
10	140296	Washer, Hard Blade, Mower Vented	45	145059	Cover, Mandrel Deck
11	152443	Blade, 46" Mower Deck	46	137729	Screw, Thdroll. 1/4-20 x 5/8
12	129895	Bearing, Ball, Mandrel #6204	47	144959	V-Belt, Mower, Secondary
13	137553	Shaft Asm. w/Lower Bearing (Includes Key No. 12)	48	139573	V-Belt, Mower, Primary
14	137152	Housing, Mandrel	49	STD541437	Nut, Crownlock 3/8-16 UNC
15	110485X	Bearing, Ball, Mandrel	50	72110612	Bolt, Carriage 3/8-16 x 1-1/2 Gr. 5
16	140329	Stripper, Mower Round	51	153390	Washer Felt
18	72140505	Bolt, Carriage 5/16-18 x 5/8	52	156493	Pulley Idler
19	132827	Bolt, Hex Head, Shoulder 5/16-18	72	19131616	Washer 13/32 x 1 x 16 Ga
20	145055	Baffle, Vortex Mower 46"	101	145579	Cover, Mulching
21	STD541431	Nut, Crownlock 5/16-18 UNC	102	71161010	Screw
22	134753	Stiffener, Bracket	103	10071000	Washer, Lock #10
23	131267	Bracket, Deflector	104	19061216	Washer
24	105304X	Cap, Sleeve	105	160793	Latch Asm. Bagger
25	149287	Spring, Torsion, Deflector	106	2029J	Nut, Weld
26	110452X	Nut, Push	116	137644	Bolt, Shoulder
27	157788	Shield, Deflector Mower	117	133957	Gauge Wheel, Wide
28	19111016	Washer 11/32 x 5/8 x 16 Ga	118	73930600	Nut, Centerlock 3/8-16 UNC
29	131491	Rod, Hinge	119	19121414	Washer 3/8 x 7/8 x 14 Ga.
30	157722	Screw, Thd Rolling Washer Head	125	144948	Arm, Idler, Primary Deck 46"
31	129953	Washer, Spacer Mower Vented	127	146763	Pulley, Idler, V-Groove Dim. 4 25
32	153531	Pulley, Mandrel	--	158851	Deck Complete (Std. Deck-Order separately mulcher plate and gauge wheel components Key Nos. 101-106 and 116-118)
33	137266	Nut, Fig Top Lock Cntr. 9/16	--	143651	Mandrel Assembly (Includes Key Numbers 8-10, 12-15, 31 and 33)
34	144945	Anchor, Spring Deck 46"			
35	17490628	Screw, Thdroll 3/8-16 x 1-3/4 Tytt			
36	STD551037	Washer 13/32 x 13/16 x 16 Ga.			
37	131494	Pulley, Idler, Flat			
38	156086	Keeper, Belt, Idler			

NOTE: All component dimensions given in U.S. inches  
1 inch = 25.4 mm

# REPAIR PARTS

TRACTOR - - MODEL NUMBER 917.258692

HYDRO TRANSAXLE - MODEL NUMBER 310-0650





# REPAIR PARTS

TRACTOR - - MODEL NUMBER 917.258692

HYDRO TRANSAXLE - MODEL NUMBER 310-0650

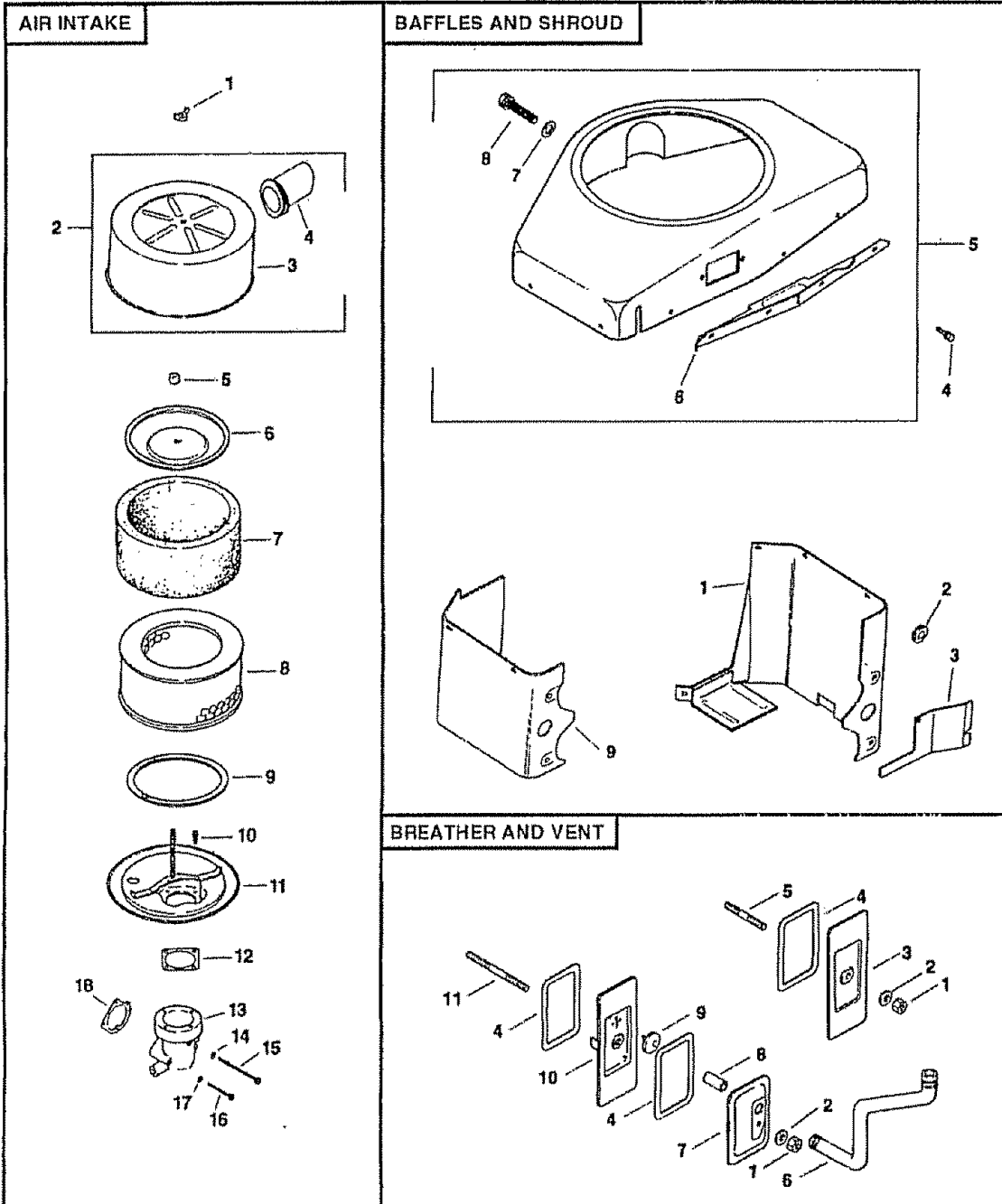
KEY PART NO.	NO.	DESCRIPTION	KEY PART NO.	NO.	DESCRIPTION
1	142930	Housing, Lower	43	142884	Washer 7/16 x 7/8 x .060
2	142931	Assembly, Upper Housing	44	150829	Differential Assembly
3	142932	Seal, Lip	52	142991	Washer 3/4 x 1.5 x .13
4	142928	Ring, Wire Retaining	53	142961	Seal .75 x 1.25 x .250
5	142933	Ring, Retaining	56	142963	Shaft, Input
6	142934	Bearing, Shaft Ball	58	142964	Bolt 1/4-20 x 1.38
7	142935	Bearing, Cradle	59	142965	Pin 5 OD x 43 ID x .750
8	150771	Bearing, Thrust 30 x 52 x 13	62	142966	Arm, Control
9	142937	Swashplate, Variable	63	142967	Puck, Dampener
13	142938	Block, Cylinder Assembly	64	142920	Set Screw
14	142939	Arm, Trunnion	68	142969	Spring
15	142940	Seal, Lip	69	144610	Stud 5/16-24
17	142941	Guide, Slot	83	142971	Jackshaft Assembly
18	150772	Shaft, Motor	85	150806	Jackshaft
19	150773	Bearing, Thrust 42 x 68 x 16	88	142973	Screw, Cap
23	142944	Block, Cylinder Assembly	89	142974	Washer 7/16 x 1 x 1/2
24	142945	Seal, Lip 10 x 25 x 7	90	142975	Sleeve Bearing
25	142946	Actuator, Bypass	91	142976	Seal, Wiper
26	150774	Center Section Assembly Kit	92	142977	Spring, Block
27	142948	Seal, Lip 26 x 42 x 8	93	142978	Washer, Block Thrust
28	142949	Ring, Retaining	113	142917	Cap, Vent Assembly
29	142950	Washer 26 x 35 x 1	114	142918	Fitting, O-Ring Assembly
30	150787	Plate, Bypass	119	142980	Spacer
34	142951	Oil Filter Element	134	144607	Nut, Castle 5/16-24
35	142952	Arm, Bypass	135	144608	Pin, Cotter
36	142953	Ring, Retaining	139	150775	Spring, Compression
37	142954	Arm, Actuating	140	150776	Nut, Hex 5/16-24
38	142955	Pin, Actuating			
39	150777	Bolt 5/16-24 x 1-3/4			
40	150778	Locknut, Hex 5/16-24 UNJC			
41	142958	Brake Rotor/Stator Kit			

NOTE: All component dimensions given in U.S. inches  
1 inch = 25.4 mm

# REPAIR PARTS

TRACTOR -- MODEL NUMBER 917.258692

KOHLER ENGINE - MODEL NUMBER MV18S, TYPE NUMBER PS58560



# REPAIR PARTS

TRACTOR - - MODEL NUMBER 917.258692

KOHLER ENGINE - MODEL NUMBER MV18S, TYPE NUMBER PS58560

## AIR INTAKE

KEY NO.	PART NO.	DESCRIPTION
1	X-276-7	Wing Nut 1/4-20
2	52-755-83	Kit, Cover and Tube (Includes Key Numbers 3 and 4)
3	52-096-35	Cover, Air Cleaner
4	52-123-21	Tube, Air Intake
5	231032	Seal, Element Cover
6	52-082-04	Cover, Air Cleaner Element
7	45-083-01	Pre-Cleaner
8	45-083-02	Element
9	237423	Seal, Air Cleaner Cover
10	X-67-98	Screw, Hex Washer Head #10-32 x 9/16 (4)
11	52-201-06	Base, Air Cleaner
12	277093	Gasket, Air Cleaner (2)
13	52-054-39	Elbow, Air Intake
14	X-25-79	Washer, Plain #10
15	X-50-37	Screw, Slotted Pan Head #10-32 x 2-1/4
16	X-50-57	Screw, Slotted Pan Head #10-32 x 1-3/4 (2)
17	X-22-9	Washer, Lock, Internal Tooth #10 (2)
18	25-041-06	Gasket, Air Cleaner Elbow
NOT ILLUSTRATED		
--	25-113-15	Decal, Air Cleaner
--	52-113-30	Decal

## BAFFLES & SHROUD

KEY NO.	PART NO.	DESCRIPTION
1	52-063-41	Baffle, #2 Cylinder Head
2	52-313-05	Grommet (2)
3	52-063-42	Baffle, Fuel Pump
4	X-67-83	Screw, Hex Washer Head 1/4-20 x 7/16 (14)
5	52-755-70	Kit, Blower Housing (Includes Key Numbers 6 thru 8)
6	52-217-01	Support, Upper Housing
7	52-468-16	Washer, Flat (2)
8	52-086-11	Screw 1/4-20 x 5/8 (6)
9	52-124-23	Baffle, #1 Cylinder Head
NOT ILLUSTRATED		
--	52-113-46	Decal, Horsepower (3)

## BREATHER & VENT

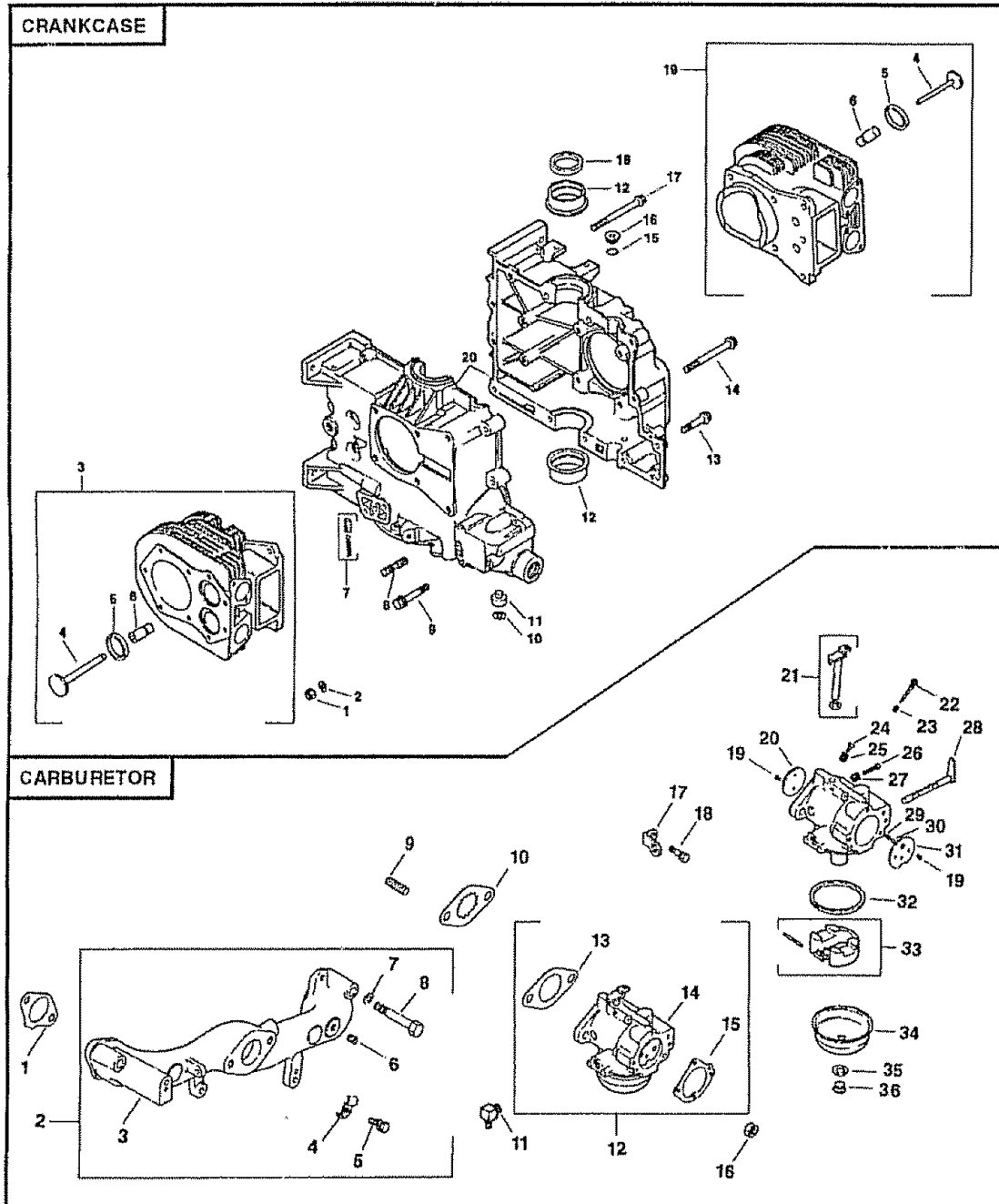
KEY NO.	PART NO.	DESCRIPTION
1	X-81-1	Nut, Hex 1/4-20 (2)
2	X-25-12	Washer, Plain 1/4 (2)
3	52-096-18	Cover, #2 Cylinder Valve
4	52-055-01	Gasket, Cover (3)
5	X-352-39	Stud, #2 Cylinder Valve Cover 1/4-20 x 2-1/4
6	52-326-12	Hose, Breather
7	52-096-08	Cover, #1 Upper Cylinder Valve
8	52-032-04	Seal, Breather
9	52-462-01	Valve, Umbrella
10	52-096-22	Cover, #1 Lower Cylinder Valve
11	275220	Stud, #1 Cylinder Valve Cover 1/4-20 x 3-1/4

NOTE: All component dimensions given in U S Inches  
1 inch = 25.4 mm

# REPAIR PARTS

TRACTOR - - MODEL NUMBER 917.258692

KOHLER ENGINE - MODEL NUMBER MV18S, TYPE NUMBER PS58560



# REPAIR PARTS

TRACTOR - - MODEL NUMBER 917.258692

KOHLER ENGINE - MODEL NUMBER MV18S, TYPE NUMBER PS58560

## CRANKCASE

KEY NO.	PART NO.	DESCRIPTION
1	X-82-2	Nut, Hex 5/16-18 (12)
2	52-468-12	Washer, Flat 5/16 (12)
3	82-755-16	Kit, #1 Cylinder Barrel (Includes Key Numbers 4 thru 6)
4	52-016-05	Valve, Exhaust
5	52-031-01	Insert, Valve Seat (2)
6	52-316-06	Guide, Valve (2)
7	52-755-50	Kit, Oil Relief
8	52-072-12	Step Stud 5/16-18 x 3/4, 3/8-16 x 5/8, 2" Long (12)
9	25-086-12	Screw, Hex Flange 5/16-18 x 2 (2)
10	X-269-43	Ring, Retaining
11	52-078-05	Shaft, Governor
12	52-030-10	Bearing, Sleeve, Standard (2)
	52-030-11	Bearing, Sleeve .010" (2)
	52-030-12	Bearing, Sleeve .020" (2)
13	25-086-10	Screw, Hex Flange 5/16-18 x 1-1/2 (3)
14	25-086-13	Screw, Hex Flange 3/8-16 x 3-5/8 (2)
15	52-141-02	O-Ring
16	52-139-08	Plug
17	25-086-11	Screw, Hex Flange 5/16-18 x 3-1/2 (6)
18	52-032-10	Seal, Oil, Front
19	82-755-17	Kit, #2 Cylinder Barrel (Includes Key Numbers 4 thru 6)
20	- - -	Crankcase (Service with Short Block, Part Number 82 522 30)

## CARBURETOR

KEY NO.	PART NO.	DESCRIPTION
1	52-041-09	Gasket, Intake (2)
2	52-755-91	Kit, Manifold (Includes Key Numbers 3 thru 8)
3	52-164-15	Manifold, Intake
4	X-21-1	Washer, Lock 5/16 (4)
5	X-6-29	Screw, Hex Cap 5/16-18 x 2 (4)
6	X-75-23	Plug, Hex, Countersunk 1/8 N.P.T.F.
7	235778	Clamp, Cable (2)
8	X-67-97	Screw, Hex Washer Head #10-24 x 3/8 (2)
9	41-072-19	Stud 5/16-18 x 1 (2)
10	52-053-40	Baffle, Carburetor
11	25-155-02	Connector, Hose
12	52-853-25	Kit, Carburetor with Gasket (Includes Key Numbers 12 thru 14)
13	271030	Gasket, Carburetor (2)
14	52-053-54	Carburetor Assembly (Information Only - Not Available Separately) (Includes Key Numbers 18 thru 35)
15	25-041-06	Gasket, Air Cleaner
16	X-77-2	Nut 5/16 (2)
17	232867	Strap, Lifting
18	X-67-62	Screw, Hex Washer Head 1/4-20 x 3/4
19	25-086-27	Screw, Throttle and Choke Plate (4)
20	25-146-03	Plate, Choke
21	52-144-24	Shaft, Throttle with Lever and Seal
22	25-368-01	Needle, Idle Fuel Adjust
23	25-089-02	Spring, Idle, Fuel
24	25-086-26	Screw, Idle Speed Adjust
25	25-089-04	Spring, Idle Speed
26	25-368-03	Needle, Main Fuel
27	25-089-02	Spring, Main Fuel
28	52-090-13	Lever, Choke
29	25-089-03	Spring, Choke, Friction
30	25-194-01	Ball, Choke, Friction
31	25-146-02	Plate, Throttle
32	25-041-04	Gasket, Bowl
33	25-757-09	Kit, Float
34	25-104-01	Bowl, Fuel
35	25-041-03	Gasket, Bowl Retainer Screw
36	25-100-05	Screw, Bowl Retainer

### NOT ILLUSTRATED

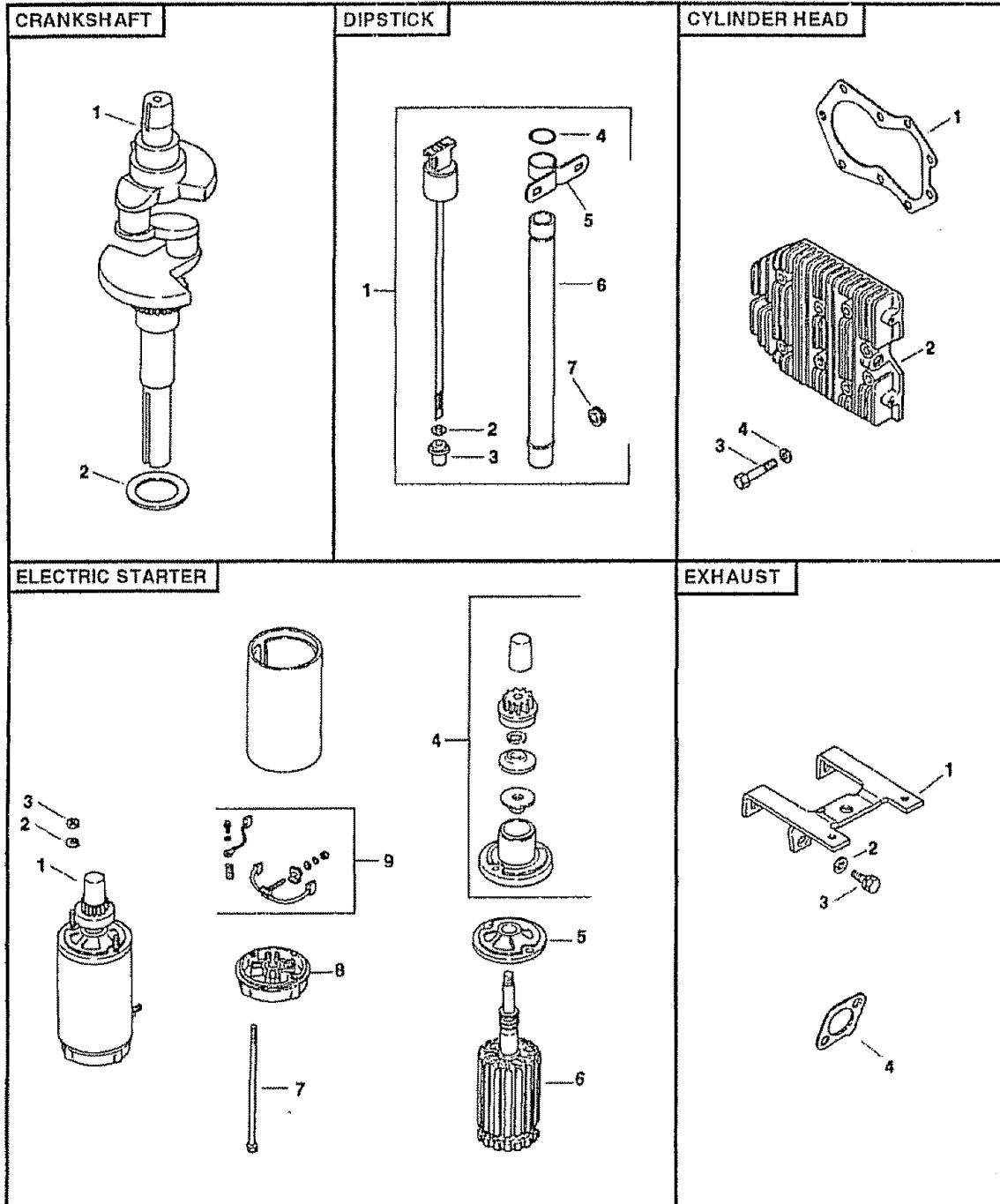
- -	25-757-11	Kit, Carburetor Repair
- -	25-757-23	Kit, Bowl Baffle

NOTE: All component dimensions given in U S inches  
1 inch = 25.4 mm

# REPAIR PARTS

TRACTOR - - MODEL NUMBER 917.258692

KOHLER ENGINE - MODEL NUMBER MV18S, TYPE NUMBER PS58560



# REPAIR PARTS

## TRACTOR - - MODEL NUMBER 917.258692

### KOHLER ENGINE - MODEL NUMBER MV18S, TYPE NUMBER PS58560

#### CRANKSHAFT

KEY PART NO.	PART NO.	DESCRIPTION
1	52-014-03	Crankshaft
2	52-468-03	Washer, Thrust 119/ 122 (A.R)
	52-468-04	Washer, Thrust 128/ 131
	52-468-05	Washer, Thrust 137/ 140 (A R)

#### DIPSTICK

KEY PART NO.	PART NO.	DESCRIPTION
1	52-038-14	Dipstick Assembly (Includes Key Numbers 2 and 3)
2	X-25-44	Washer, Plain 5/16
3	52-032-14	Seal, Rubber
4	41-153-01	O-Ring
5	52-126-11	Bracket, Oil Tube Support
6	52-123-20	Tube, Oil Fill 11-7/8
7	47-139-01	Plug, Hex, Countersunk 3/4 N P.T.F.

#### CYLINDER HEAD

KEY PART NO.	PART NO.	DESCRIPTION
1	52-041-20	Gasket, Head (2)
2	52-015-08	Cylinder Head (2)
3	220534	Washer, Plain 5/16 (18)
4	41-086-02	Screw, Hex Head 5/16-18 x 1-1/2 (18)

#### ELECTRIC STARTER

KEY PART NO.	PART NO.	DESCRIPTION
1	52-098-12	Starter Assembly (Includes Key Numbers 4 thru 9)
2	X-20-1	Washer, Lock 1/4 (2)
3	X-81-1	Nut, Hex 1/4-20 (2)
4	82-755-26	Kit, Drive
5	52-081-07	Cap, Drive End
6	52-170-05	Armature
7	52-211-01	Bolt, Thru (2)
8	52-227-10	Cap, Commutator End
9	82-755-28	Kit, Brush

#### NOT ILLUSTRATED

--	25-450-03	Tag, Caution
----	-----------	--------------

#### EXHAUST

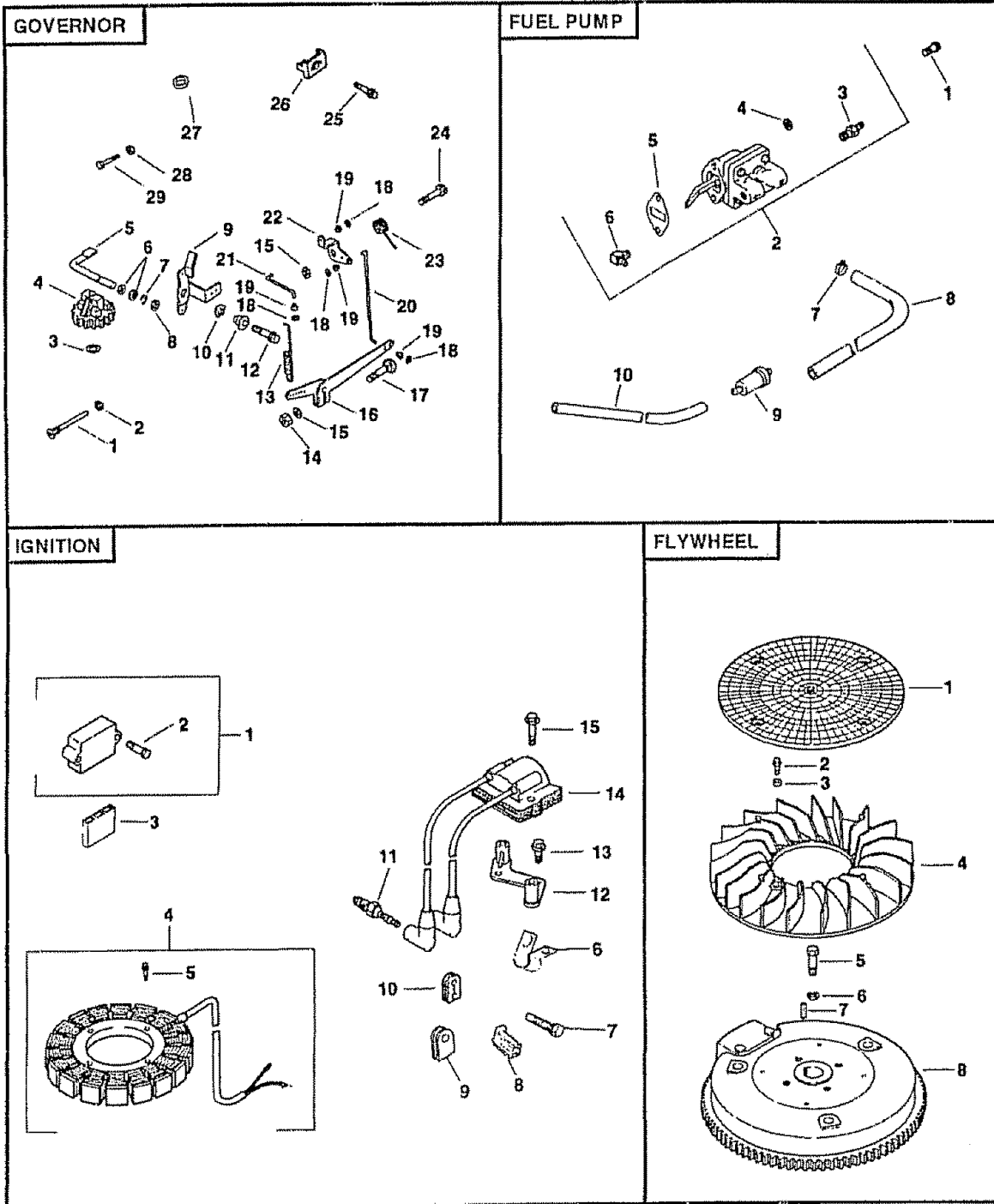
KEY PART NO.	PART NO.	DESCRIPTION
1	52-126-12	Bracket
2	X-25-72	Washer, Plain (3)
3	52-086-11	Screw 1/4-20 x 5/8 (3)
4	52-041-14	Gasket, Exhaust (2)

NOTE: All component dimensions given in U.S. inches  
1 inch = 25.4 mm

# REPAIR PARTS

TRACTOR - - MODEL NUMBER 917.258692

KOHLER ENGINE - MODEL NUMBER MV18S, TYPE NUMBER PS58560





# REPAIR PARTS

TRACTOR - - MODEL NUMBER 917.258692

KOHLER ENGINE - MODEL NUMBER MV18S, TYPE NUMBER PS58560

## FLYWHEEL

KEY NO.	PART NO.	DESCRIPTION
1	25-162-01	Screen, Grass
2	25-086-21	Screw, Hex Washer Head 1/4-20 x 5/8 (4)
3	25-112-04	Spacer (4)
4	25-157-01	Fan
5	25-086-24	Screw, Hex Machine 3/8-24 x 1-1/4
6	52-468-15	Washer, Plain
7	X-286-17	Key, Square 3/16 x 7/8
8	52-025-36	Flywheel

## GOVERNOR

KEY NO.	PART NO.	DESCRIPTION
1	231355	Pin, Governor Stop
2	X-25-12	Washer, Plain 1/4
3	237022	Washer, Thrust
4	A-235743-S	Kit, Governor Gear
5	52-078-04	Shaft, Governor Cross
6	X-25-102	Washer, Plain 1/4 (2)
7	X-269-28	Retainer, Governor
8	X-25-72	Washer, Plain 1/4 (2)
9	52-090-23	Lever, Speed Control
10	277341	Washer, Tension
11	52-158-07	Bushing, Throttle Control Lever
12	25-086-15	Screw, Hex Washer Head 1/4-20 x 1
13	52-089-07	Spring, Governor
14	X-81-1	Nut, Hex 1/4-20
15	X-25-63	Washer, Plain 1/4
16	52-186-09	Arm, Governor
17	52-211-04	Screw, Round Head, Square Neck 1/ 4-20 x 1
18	25-141-03	Ring, Retaining (4)
19	25-158-08	Bushing, Linkage Retaining (4)
20	52-079-07	Linkage, Governor
21	52-079-06	Linkage, Throttle
22	52-090-14	Lever, Throttle
23	52-089-08	Spring, Torston
24	25-086-21	Screw, Hex Washer Head 1/4-20 x 5/8
25	X-67-97	Screw, Hex Washer Head #10-24 x 3/8 (3)
26	235778	Clamp, Cable (3)
27	25-431-01	Bushing, Speed Control Lever
28	X-70-3	Nut, Hex #10-32
29	52-086-05	Screw, Hex Head #10-32 x 7/8

## FUEL PUMP

KEY NO.	PART NO.	DESCRIPTION
1	47-086-08	Screw, Pozidriv, Truss Head 1/4-20 x 5/8 (2)
2	52-559-01	Pump, Fuel Assembly (Includes Key Numbers 3 thru 6)
3	X-380-1	Connector, Straight
4	X-25-63	Washer, Plain 1/4 (2)
5	25-041-09	Gasket, Fuel Pump
6	25-155-02	Connector, Hose
7	X-426-9	Clamp, Hose (4)
8	52-353-18	Line, Fuel, 8"
9	25-050-03	Filter, Fuel
10	15-353-04	Line, Fuel, 11-1/2"

## IGNITION

KEY NO.	PART NO.	DESCRIPTION
1	25-755-03	Kit, Rectifier-Regulator (Includes Key Number 2)
2	X-132-5	Screw, Hex Cap 1/4-20 x 5/8 (2)
3	236602	Connector, 3 Contact
4	237878	Kit, Stator (Includes Key Number 5)
5	X-67-51	Screw, Hex Cap #10-24 x 3/4 (2)
6	210281	Clip (2)
7	X-67-64	Screw, Hex Washer Head #10-32 x 7/16
8	41-155-03	Connector, 2 Contact
9	220297	Grommet, Rubber
10	52-313-02	Grommet
11	52-132-02	Spark Plug (2)
12	52-126-08	Bracket, Module
13	25-086-15	Screw, Hex Washer Head 1/4-20 x 1 (2)
14	52-584-02	Module, Ignition
15	25-086-16	Screw, Hex Washer Head 1/4-20 x 7/8 (2)

## NOT ILLUSTRATED

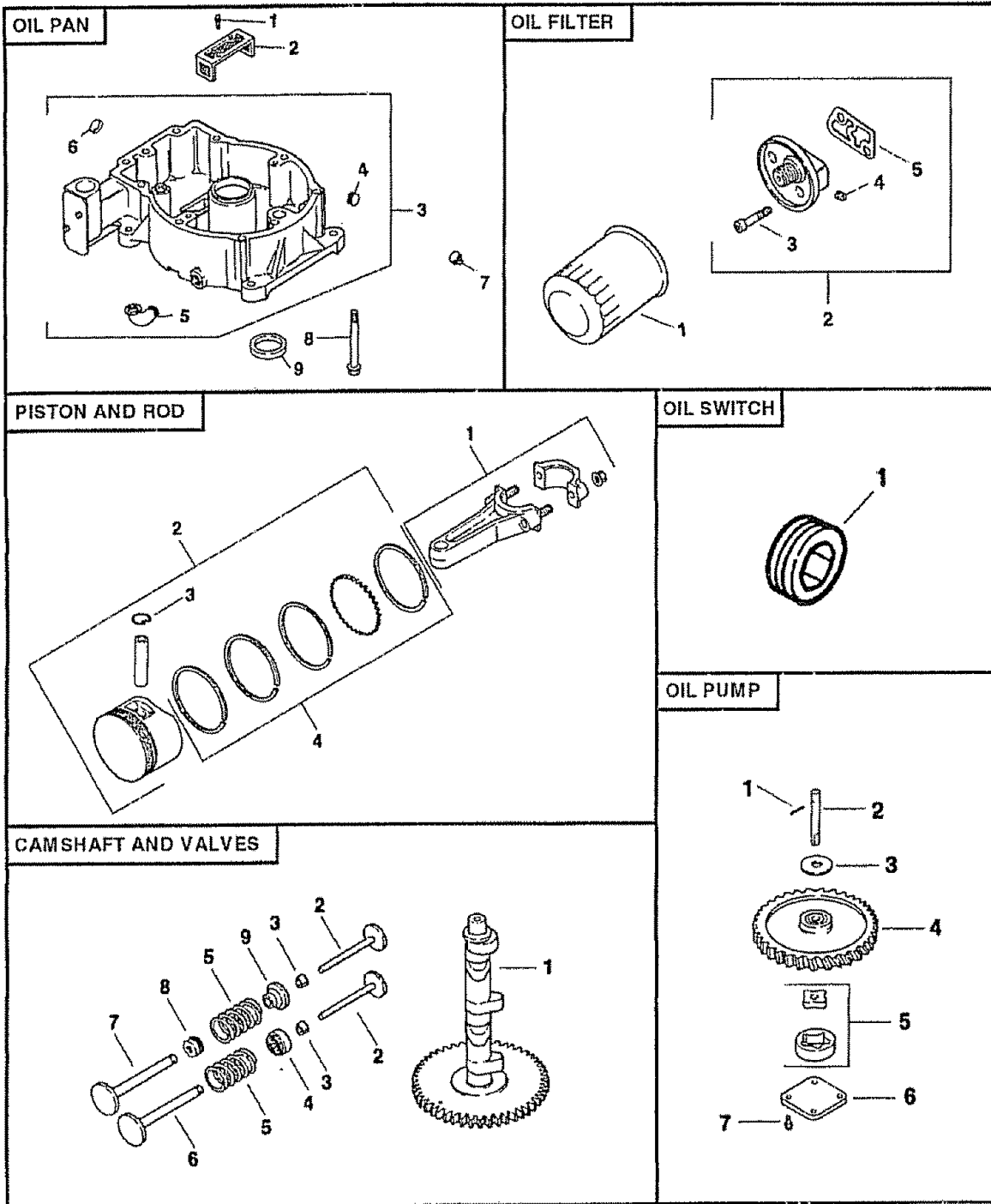
--	47-518-33	Lead, Violet, Rectifier-Regulator (11", 14 Gauge, Uninsulated Push On Tab Terminals)
--	52-518-19	Lead, White, Module To Connector (19-1/2", 14 Gauge, Insulated Push On Tab, Uninsulated Push On Tab Terminals)

NOTE: All component dimensions given in U.S. inches  
1 inch = 25.4 mm

# REPAIR PARTS

TRACTOR - - MODEL NUMBER 917.258692

KOHLER ENGINE - MODEL NUMBER MV18S, TYPE NUMBER PS58560



# REPAIR PARTS

TRACTOR - - MODEL NUMBER 917.258692

KOHLER ENGINE - MODEL NUMBER MV18S, TYPE NUMBER PS58560

## OIL PAN

KEY PART NO.	PART NO.	DESCRIPTION
1	X-67-64	Screw, Hex Washer Head #10-32 x 7/16 (2)
2	52-050-03	Filter, Oil Pickup
3	52-199-14	Oil Pan (Includes Key #4 thru 6)
4	X-702-14	Plug, Cup 1-1/16
5	52-054-07	Elbow, Street
6	X-75-38	Plug, Hex, Countersunk 1/4 N.P.T.F.
7	X-75-10	Plug, Square Head 3/8 N.P.T.F. (2)
8	52-086-12	Screw, Hex Washer Head 5/16-18 x 1-1/4 (9)
9	52-032-10	Seal, Oil, Rear

## OIL FILTER

KEY PART NO.	PART NO.	DESCRIPTION
1	52-050-02	Oil Filter
2	82-755-23	Kit, Oil Filter Adaptor (Includes Key Numbers 3 thru 5)
3	X-55-15	Screw, Hex Socket Head 5/16-18 x 1-1/4 (2)
4	X-75-23	Plug, Hex, Countersunk 1/8 N.P.T.F.
5	52-041-16	Gasket, Oil Filter

## PISTON & ROD

KEY PART NO.	PART NO.	DESCRIPTION
1	52-067-67	Connecting Rod, Standard (2)
	52-067-68	Connecting Rod .010" (2)
2	52-874-11	Piston with Ring Set, Standard (2)
	52-874-12	Piston with Ring Set .003" (2)
	52-874-13	Piston with Ring Set .010" (2)
	52-874-14	Piston with Ring Set .020" (2)
	52-874-15	Piston with Ring Set .030" (2)
3	230004	Retainer, Piston Pin (4)
4	52-108-09	Ring Set, Standard and .003" (2)
	52-108-10	Ring Set .010" (2)
	52-108-11	Ring Set .020" (2)
	52-108-12	Ring Set .030" (2)

## LOW OIL PRESSURE SWITCH

KEY PART NO.	PART NO.	DESCRIPTION
1	X-75-23	Plug, Pipe 1/8 N.P.T.F.

## CAMSHAFT & VALVES

KEY PART NO.	PART NO.	DESCRIPTION
1	52-012-09	Camshaft
2	52-019-03	Tappet (4)
3	41-755-10	Kit, Retainer (4)
4	52-413-01	Rotator, Exhaust Valve (2)
5	25-089-01	Spring, Valve (4)
6	52-016-05	Valve, Exhaust (2)
7	52-017-08	Valve, Intake (2)
8	52-032-13	Seal, Intake Valve Stem (2)
9	230011	Retainer, Intake Valve (2)
	*	After serial no. 24082000 use:
1	52-012-11	Camshaft
2	52-019-02	Tappet

## OIL PUMP

KEY PART NO.	PART NO.	DESCRIPTION
1	X-280-25	Pin, Roll
2	52-144-05	Shaft, Oil Pump
3	52-422-01	Spacer, Shim (As Required, Maximum of 2)
4	52-043-05	Gear, Oil Pump
5	52-393-09	Rotor Set
6	52-096-03	Cover, Oil Pump
7	X-67-64	Screw, Hex Washer Head #10-32 x 7/16 (4)

## NOT ILLUSTRATED

--	82-522-30	Short Block
--	52-755-94	Gasket Set

RPM Settings: Low Speed: 1150-1650  
High Speed: 3200-3400

NOTE: All component dimensions given in U.S. inches  
1 inch = 25.4 mm

---

## SERVICE NOTES

---

---

## SERVICE NOTES

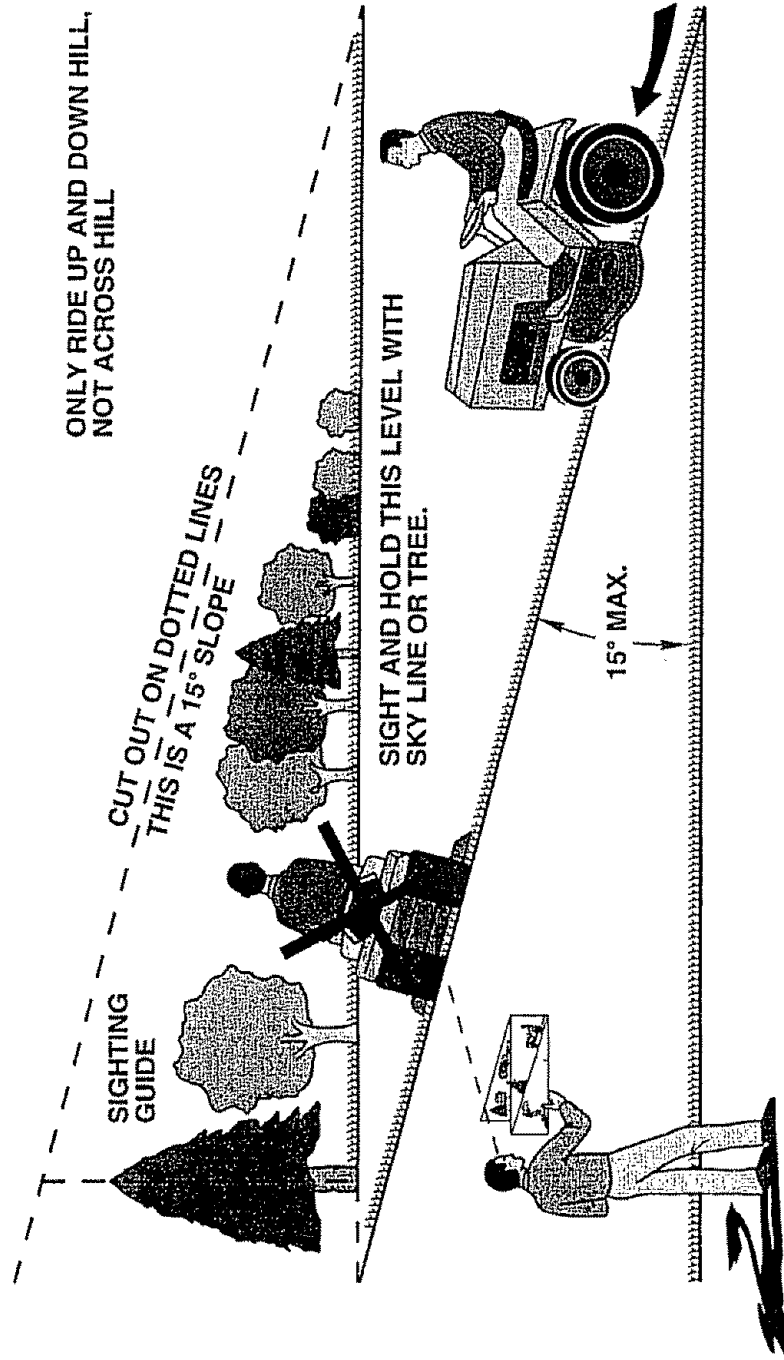
---


---

## SERVICE NOTES

---

# SUGGESTED GUIDE FOR SIGHTING SLOPES FOR SAFE OPERATION



 Operate your Tractor up and down the face of slopes (not greater than 15°), never across the face. Make turns gradually to prevent tipping or loss of control. Exercise extreme caution when changing direction on slopes.

**SEARS**

**OWNER'S  
MANUAL**

**MODEL NO.  
917.258692**

**IF YOU NEED  
REPAIR SERVICE  
OR PARTS:**

FOR REPAIR SERVICE, CALL  
THIS TOLL FREE NUMBER:

**1-800-4-REPAIR**  
(1-800-473-7247)

FOR REPLACEMENT PARTS  
INFORMATION AND  
ORDERING, CALL THIS  
TOLL FREE NUMBER:

**1-800-FON-PART**  
(1-800-366-7278)

FOR CONSUMER ASSISTANCE  
HOT LINE, CALL THIS  
TOLL FREE NUMBER:

**1-800-659-5917**

**CRAFTSMAN®**

**18.0 HP  
ELECTRIC START  
46" MOWER  
AUTOMATIC (HYDROSTATIC)  
LAWN TRACTOR**

Each tractor has its own model number. Each engine has its own model number.

The model number for your tractor will be found on the model plate located under the seat.

The model number for your engine will be found on the blower housing of the engine.

All parts listed herein may be ordered from any Sears, Roebuck and Co. Service Center/Department and most Retail Stores.

**WHEN ORDERING REPAIR PARTS, ALWAYS GIVE THE  
FOLLOWING INFORMATION:**

- PRODUCT - TRACTOR
- MODEL NUMBER - 917.258692
- ENGINE MODEL NO. - MV185 - PS58560
- PART NUMBER
- PART DESCRIPTION

Your Sears merchandise has added value when you consider Sears has service units nationwide staffed with Sears trained technicians... professional technicians specifically trained to insure that we meet our pledge to you, we service what we sell.



## Free Manuals Download Website

<http://myh66.com>

<http://usermanuals.us>

<http://www.somanuals.com>

<http://www.4manuals.cc>

<http://www.manual-lib.com>

<http://www.404manual.com>

<http://www.luxmanual.com>

<http://aubethermostatmanual.com>

Golf course search by state

<http://golfingnear.com>

Email search by domain

<http://emailbydomain.com>

Auto manuals search

<http://auto.somanuals.com>

TV manuals search

<http://tv.somanuals.com>