

SEARS Owner's Manual

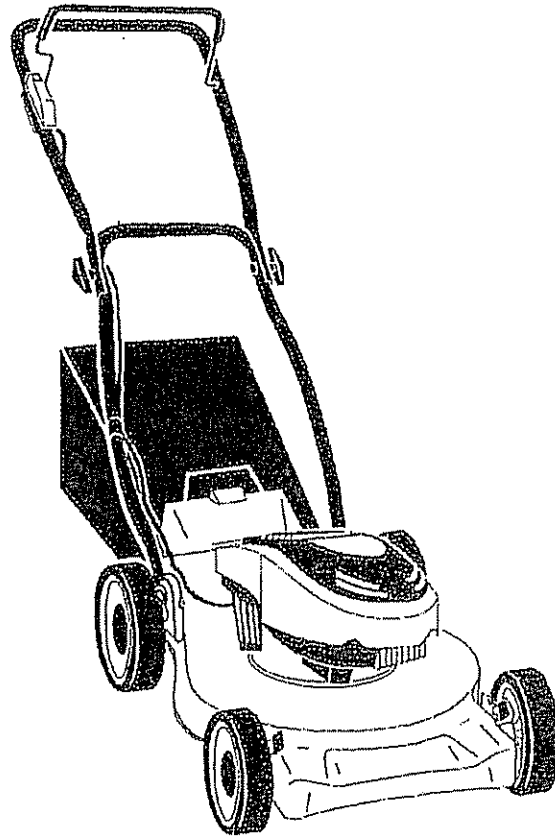
CRAFTSMAN[®]

24 VOLT DC

**20" Cordless Rechargeable
REAR DISCHARGE
MULCHING MOWER**

Model No.
917.386410

- Safety
- Assembly
- Operation
- Maintenance
- Español
- Repair Parts



CAUTION:

Read and follow all
Safety Rules and Instructions
before operating this equipment

Sears, Roebuck and Co., Hoffman Estates, IL 60179

TABLE OF CONTENTS

Safety Rules	2	Maintenance Schedule	10
Product Specifications	11	Service and Adjustments	12
Maintenance	7	Storage	14
Warranty	2	Troubleshooting	15-16
Assembly	5	Illustrated Parts List	28-30
Operation	6	Parts Ordering	Back Cover

WARRANTY

LIMITED TWO YEAR WARRANTY ON CRAFTSMAN POWER MOWER

For two years from date of purchase, when this Craftsman Lawn Mower is maintained, lubricated, and tuned up according to the operating and maintenance instructions in the owner's manual, Sears will repair free of charge any defect in material or workmanship.

If this Craftsman Lawn Mower is used for commercial or rental purposes, this warranty applies for only 90 days from the date of purchase.

This Warranty does not cover:

- Expendable items which become worn during normal use, such as rotary mower blades, blade adapters, and belts.
- Repairs necessary because of operator abuse or negligence, including bent crankshafts and the failure to maintain the equipment according to the instructions contained in the owner's manual.

WARRANTY SERVICE IS AVAILABLE by returning the Craftsman power mower to the nearest Sears Service Center/Department in the United States. This warranty applies only while this product is in use in the United States.

This Warranty gives you specific legal rights, and you may also have other rights which vary from state to state.

Sears, Roebuck and Co., D/817 WA, Hoffman Estates, IL 60179 USA

SAFETY RULES

CAUTION: Do not attempt to operate this mower until you have read thoroughly and understand completely all instructions, safety rules, etc. contained in this manual. Failure to comply can result in accidents involving fire, electric shock, or serious personal injury. Save Owner's Manual and review frequently for continuing safe operation and instructing others who may use this mulching mower.

Safety standards require an Operator Presence Control Bar to minimize the risk of injury. Your unit is equipped with such a Control Bar. Do not attempt to defeat its function under any circumstances.

TRAINING:

- Read this operator's manual carefully. Become familiar with the controls and know how to operate your mower properly. Learn how to quickly stop mower.
- Do not allow children to use your mower. Never allow adults to use

mower without proper instructions.

- Keep the area of operation clear of all persons, especially small children and pets.
- Use mower only as the manufacturer intended and as described in this manual.
- Do not operate mower if it has been dropped or damaged in any manner. Always have damage repaired before using your mower.
- Do not use accessory attachments that are not recommended by the manufacturer. Use of such attachments may be hazardous.

- The blade turns when the motor is running.
- Avoid accidental starting. Do not play with the switch button and Operator Presence Control Bar when not in use.

PREPARATION:

- Always thoroughly check the area to be mowed and clear it of all stones, sticks, wires, bones, and other foreign objects. These objects will be thrown by the blade and can cause severe injury.
- Always wear safety glasses or eye shields when starting and while using your mower.
- Dress properly. Do not operate mower when barefoot or wearing open sandals. Wear only solid shoes with good traction when mowing.
- Always make wheel height adjustments before starting your mower. Never attempt to do this while the mower is running.
- Mow only in daylight or good artificial light.
- Do Not insert fuse into mower until it is ready to be used or charged.
- Protect your lungs. Wear a face or dust mask if mowing operation is dusty.
- Remove adjusting wrenches. Form habit of checking to see that adjusting wrenches are removed from mower before turning it on.

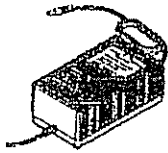
OPERATION:

- Keep your eyes and mind on your mower and the area being cut. Do not let other interests distract you.
- Do not mow wet or slippery grass. Never run while operating your mower. Always be sure of your footing – keep a firm hold on the handles and walk.
- Do not put hands or feet near or under rotating parts. Keep clear of the discharge opening at all times.
- Always stop the motor whenever you leave or are not using your mower, or before crossing driveways, walks, roads, and any gravel-covered areas.
- Never direct discharge of material toward bystanders nor allow anyone near the mower while you are operating it.
- Before cleaning, inspecting, or repairing your mower, stop the motor and make absolutely sure the blade and all moving parts have stopped. Then remove the fuse to prevent accidental starting.
- Do not continue to run your mower if you hit a foreign object. Follow the procedure outlined above; then repair any damage before restarting and operating

- your mower.
- Do not operate your mower if it vibrates abnormally. Excessive vibration is an indication of damage; stop the motor and safely check for the cause of vibration. Repair as required.
- Do not run the motor indoors.
- Never cut grass by pulling the mower towards you. Mow across the face of slopes, never up and down or you might lose your footing. Do not mow excessively steep slopes. Use caution when operating the mower on uneven terrain or when changing directions – maintain good footing.
- Never operate your mower without proper guards, plates, grass catcher or other safety devices in place.
- Don't force the mower. It will do the job better and safer at the rate of which it is designed. When mowing on rough surfaces or in high grass, select a higher cutting position.
- Don't overreach. Keep proper footing and balance at all time.
- Stay alert. Watch what you are doing and use common sense. Do not operate mower when you are tired. Do not run or rush when mowing.
- Drugs, alcohol, medication. Do not operate mower while under the influence of drugs, alcohol, or any medication.
- Danger: Keep away from blade area. Be aware of the risk of injury. Keep hands and feet away from the blade. DO NOT attempt to remove cut material or unclog debris from under mower deck while blade is moving.
- If mower stalls, release operator presence control bar and wait for blade to stop rotating. Remove fuse before attempting to remove anything from under mower deck. Thoroughly inspect and have any damage repaired before restarting and operating mower.

MAINTENANCE AND STORAGE:

- Check the blade and the motor mounting bolts often to be sure they are tightened properly.
- Check all bolts, nuts and screws at frequent intervals for proper tightness to be sure mower is in safe working condition.



- Keep all safety devices in place and working.
- To reduce fire hazard, keep the motor free of grass, leaves or excessive grease and oil.
- Check grass catcher bag often for deterioration and wear. Replace worn bags. Use only replacement bags that are recommended by and comply with specifications of the manufacturer of your mower.
- Always keep the blade on your mower sharp.
- Allow motor to cool before storing in any enclosure.
- Keep mower dry and clean. Always use a clean damp cloth when cleaning. Never use brake fluids, gasoline, petroleum-based products, solvents, or water to clean mower.
- Do not mow if switch does not turn it on and off. Have defective switch replaced by a qualified service technician at an authorized service center/department.
- Check damaged parts. Before further use of the mower, a guard or other part that is damaged should be carefully checked to determine that it will operate properly and perform its intended function. Check for alignment of moving parts, binding of moving parts, breakage of parts, mounting, and any other conditions that may affect its operation. A guard or other part that is damaged should be properly repaired or replaced by a qualified service technician at an authorized service center/department.
- When servicing use only identical Craftsman replacement parts. Servicing of this mower should be performed only by a qualified service technician. For repair service we suggest you return mower to your nearest authorized service center/department for repair.
- When replacing blade, use manufac-

urers recommended parts only. Use of any other blade may result in serious personal injury or damage to your mower

- Store mower inside. When not in use, mower should be stored indoors in a garage, basement, etc. Storage area should be a dry, locked-up place – out of reach of children
- Maintain mower with care. Keep blade sharp and clean for best and safest performance. Follow instructions for lubricating and changing accessories.

CHARGER SAFETY INSTRUCTIONS:

- **DOUBLE INSULATION.** The charger for your mower is double insulated. This means you are separated from the electrical system of the charger by two complete sets of electrical insulation. This extra layer of insulation is intended to protect the user from electrical shock due to a break in the wiring insulation. All exposed metal parts are isolated from live internal metal components with protecting insulation. Double insulated chargers do not need to be grounded. Servicing of a charger with double insulation requires extreme care and knowledge of the system and should be performed only by a qualified service technician.
- Before charging battery, read all instructions and cautionary markings in this manual and on your mower.
- Do not expose mower to rain or snow.
- To reduce risk of damage to charger plug, pull cord by the cord plug rather than cord when disconnecting from charger port or AC outlet.
- Make sure cord is located so that it will not be stepped on, tripped over, or otherwise subjected to damage or stress.
- Do not operate mower if charger has received a sharp blow, been dropped, or otherwise damaged in any way; take it to a qualified serviceman.
- Do not disassemble mower; take it to a qualified serviceman when service or repair is required. Incorrect reassembly may result in a risk of electric shock or fire.
- To reduce risk of electric shock, remove fuse before attempting any maintenance cleaning. Turning off control will not reduce this risk.

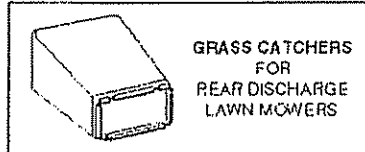
WARNING: Always remove fuse to prevent accidental starting when setting up, transporting, adjusting or making repairs.

ACCESSORIES

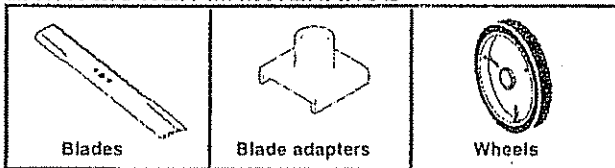
These accessories were available when this lawn mower was produced. They are also available at most Sears retail outlets

and service centers. Most Sears stores can also order repair parts for you, when you provide the model number of your lawn mower.

LAWN MOWER PERFORMANCE



LAWN MOWER MAINTENANCE



ASSEMBLY

TO REMOVE LAWN MOWER FROM CARTON

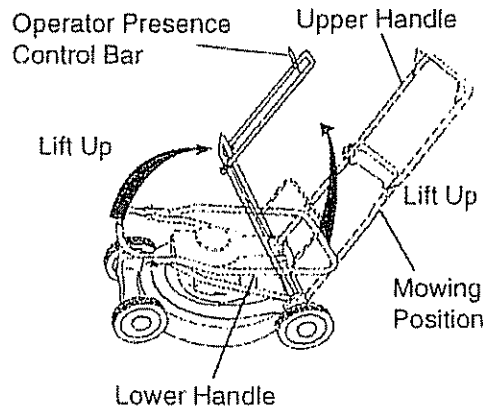
- Remove loose parts included with mower.
- Cut down two end corners of carton and lay end panel down flat.
- Remove all packing materials except padding between upper and lower handle and padding holding operator presence control bar to upper handle.
- Roll lawn mower out of carton and check carton thoroughly for additional loose parts.
- DO NOT insert fuse at this time.

HOW TO SET UP YOUR LAWN MOWER

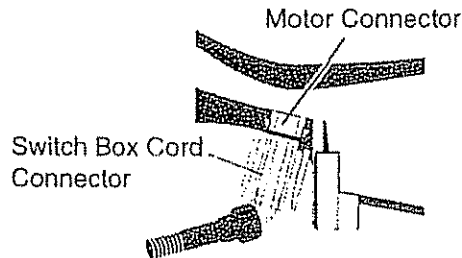
TO UNFOLD HANDLE

IMPORTANT: Unfold handle carefully so as not to pinch or damage control cables

- Raise handles until lower handle section locks into place in mowing position.
- Raise upper handle section into place on lower handle, remove protective padding and tighten both handle knobs.
- Remove handle padding holding operator presence control bar to upper handle.
- Your lawn mower handle can be adjusted for your mowing comfort. Refer to "Adjust Handle" in the Service and Adjustment section of this manual.



- DO NOT insert fuse at this time.
- Plug switch box cord connector into motor connector. Plug is located on right side of motor.



OPERATION

KNOW YOUR LAWN MOWER

READ THIS OWNER'S MANUAL AND SAFETY RULES BEFORE OPERATING YOUR LAWN MOWER. Compare the illustrations with your lawn mower to familiarize yourself with the location of various controls and adjustments. Save this manual for future reference.

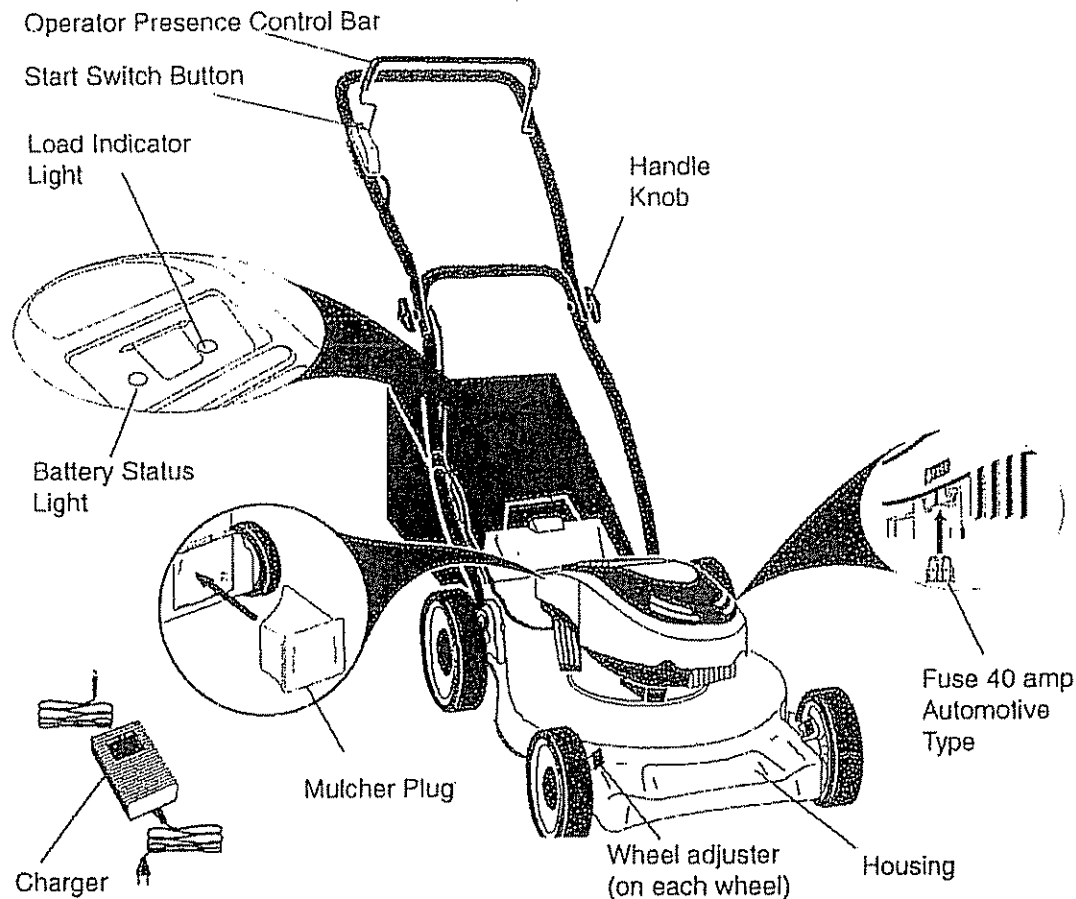
These symbols may appear on your lawn mower or in literature supplied with the product. Learn and understand their meaning.



CAUTION OR
WARNING



DANGER, KEEP HANDS
AND FEET AWAY



MEETS CPSC SAFETY REQUIREMENTS

Sears rotary walk-behind power lawn mowers conform to the safety standards of the American National Standards Institute and the U.S. Consumer Product Safety Commission. The blade turns when the motor is running.

Operator Presence Control Bar – must be held down to the handle to start and run the motor. Release to stop the motor.

Battery Status Light – alerts operator when battery capacity is approaching 80% discharge (approximately 10 to 15 minutes left — depending on grass conditions).

Load Indicator Light – informs the operator that the mower is experiencing a heavy load.

Mulcher Plug – allows conversion to discharge or bagging operation.

Fuse – must be plugged in to operate and recharge mower.

CHARGING

The battery has been charged at the factory. However, it will be necessary to recharge battery and make sure it has a full charge before initial use.

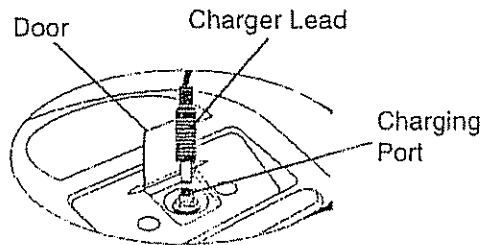
- Always charge mower indoors in a garage, carport, etc. where it is dry and protected from the weather. **DO NOT** expose to rain or snow.
- Do not charge mower in extreme hot or cold temperatures.

NOTE: Extreme heat is more harmful than cold, especially when storing mower. Charge mower in a location where the temperature is more than 50°F (10°C) but less than 100°F (37°C).

- Keep mower away from water, heaters, stoves, radiators, flames, chemicals, corrosives, etc.

TO CHARGE

- Mower is disabled while charging. Plugging the charger into the mower interrupts the switching circuit.
- **The fuse must be plugged in while charging battery.**
- Open charging port door to expose charging port.
- Plug charger lead into charging port.
- Connect charger power cord to power supply.



NOTE: Always plug charger into mower **FIRST**. Then into wall receptacle. Reversing this procedure will result in the battery not being fully charged.

- Make sure power supply is normal house voltage, 120 volts, 60 Hz, AC only
- The red LED light on the charger will turn on, indicating "on charge" status of mower.

NOTE: If mower does not charge, see troubleshooting chart.

- Make sure fuse is plugged in.
- When the battery becomes fully charged, the red light will turn off and the green light will turn on.
- It takes 16 hours to fully recharge a completely discharged battery. Your mower may be used with a partially charged battery if you need to finish a job.

- Your mower has been designed so that it is safe to continuously leave it on charge for extended periods of time. You can even leave it on



charge during the off season if desired.

The operation of any lawn mower can result in foreign objects thrown into the eyes, which can result in severe eye damage. Always wear safety glasses or eye shields while operating your lawn mower or performing any adjustments or repairs. We recommend a wise vision safety mask over the spectacles or standard safety glasses

MOTOR ZONE CONTROL

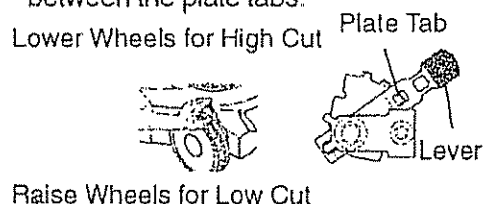
CAUTION: Federal regulations require a motor control to be installed on this lawn mower in order to minimize the risk of blade contact injury. **DO NOT** under any circumstances attempt to defeat the function of the operator control. The blade turns when the motor is running.

- Your lawn mower is equipped with an operator presence control bar which requires the operator to be positioned behind the lawn mower handle to start and operate the lawn mower.

TO ADJUST CUTTING HEIGHT

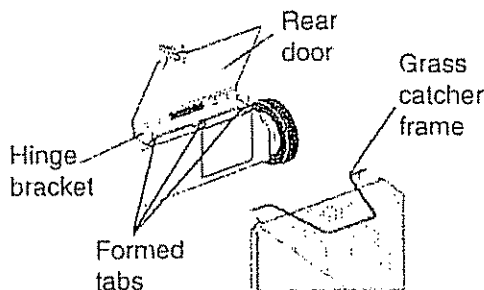
- Raise wheels for low cut and lower wheels for high cut.
- Adjust cutting height to suit your requirements. Medium position is best for most lawns.
- To change cutting height, squeeze adjuster lever toward wheel. Move wheel up or down to suit your requirements. Be sure all wheels are in the same setting.

NOTE: Adjuster is properly positioned when plate tab inserts into hole in lever. Also, 9-position adjusters (if so equipped) allow lever to be positioned between the plate tabs.



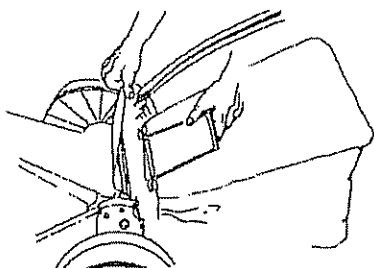
TO ATTACH GRASS CATCHER

- Close the flip lid. Flip lid must be closed while operating lawn mower.
- Lift the rear door on the mower housing and place the grass catcher frame onto the formed tabs on the rear door hinge bracket.
- The grass catcher is secured to the lawn mower housing when the rear door is lowered onto the grass catcher frame.



TO EMPTY GRASS CATCHER

- To remove grass catcher, release operator presence control bar to stop engine.
- Lift up rear door and remove the grass catcher by the handle.
- Do not drag the bag when emptying; it will cause unnecessary wear.

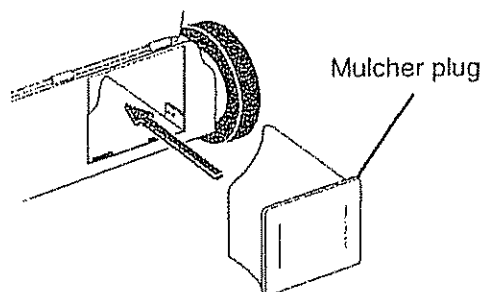


TO INSTALL ATTACHMENTS

Your lawn mower was shipped ready to be used as a mulcher. To convert to bagging or discharging:

- Open rear door and remove mulcher plate. Store mulcher plate in a safe place.
- You can now install catcher or optional clipping deflector.
- To return to mulching operation, install mulcher plate into discharge opening of mower.

CAUTION: Do not run your lawn mower without mulcher plate in place or approved clipping deflector or grass catcher in place. Never attempt to operate the lawn mower with the rear door removed or propped open.



BEFORE STARTING MOTOR

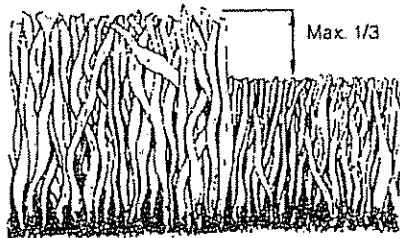
- Mower will not run with battery charger plugged in.
- Unplug charger from outlet, then remove charger from motor.
- Close charging port door.

TO START MOWER

- Insert fuse.
- Hold operator presence control bar down to the handle and press switch button to start mower.
- To STOP motor, release operator presence control bar.

MOWING TIPS

- Under certain conditions, such as very tall grass, it may be necessary to raise the height of cut to reduce pushing effort and to keep from overloading the engine and leaving clumps of grass clippings. It may also be necessary to reduce ground speed and/or run the lawn mower over the area a second time.
- For extremely heavy cutting, reduce the width of cut by overlapping previously cut path and mow slowly.
- When using a rear discharge lawn mower in moist, heavy grass, clumps of cut grass may not enter the grass catcher. Reduce ground speed (pushing speed) and/or run the lawn mower over the area a second time.
- If a trail of clippings is left on the right side of a rear discharge mower, mow in a clockwise direction with a small overlap to collect the clippings on the next pass.
- Pores in cloth grass catchers can become filled with dirt and dust with use and catchers will collect less grass. To prevent this, regularly hose catcher off with water and let dry before using.
- Keep top of engine around starter clear and clean of grass clippings and chaff. This will help engine air flow and extend engine life.



MULCHING MOWING TIPS

IMPORTANT: For best performance, keep mower housing free of built-up grass and trash. See **CLEANING** in Maintenance section of this manual.

- The special mulching blade will recut the grass clippings many times and reduce them in size so that as they fall onto the lawn they will disperse into the grass and not be noticed. Also, the mulched grass will biodegrade quickly to provide nutrients for the lawn.
- Avoid cutting your lawn when it is wet. Wet grass tends to form clumps and interferes with the mulching action. The best time to mow your lawn is the early afternoon. At this time the grass has dried and the newly cut area will not be exposed to the direct sun.
- For best results, adjust the lawn mower cutting height so that the lawn mower cuts off only the top one-third of the grass blades. If the lawn is overgrown it will be necessary to raise the height of cut to reduce pushing effort and to keep from overloading the motor and leaving clumps of mulched grass. For extremely heavy mulching, reduce your width of cut, mow slowly and raise the rear of the lawn mower one wheel adjuster setting higher than the front.
- Certain types of grass and grass conditions may require that an area be mulched a second time to completely hide the clippings. When doing a second cut, mow across or perpendicular to the first cut path.
- Change your cutting pattern from week to week. Mow north to south one week then change to east to west the next week. This will help prevent matting and graining of the lawn.

MAINTENANCE

CUSTOMER RESPONSIBILITIES

MAINTENANCE SCHEDULE :						SERVICE DATES					
	BEFORE EACH USE	AFTER EACH USE	EVERY 10 HOURS	EVERY 25 HOURS	BEFORE STORAGE						
FILL IN DATES AS YOU COMPLETE REGULAR SERVICE											
Check for Loose Fasteners	✓				✓						
Clean/Inspect Grass Catcher (If Equipped)	✓	✓			✓						
Clean Lawn Mower		✓			✓						
Check/Sharpen/Replace Blade				✓ ¹							
Lubrication Chart				✓	✓						
Recharge		✓			✓						

¹ - Replace blades more often when mowing in sandy soil

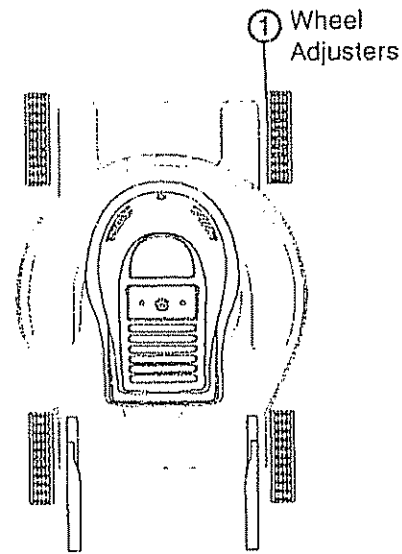
GENERAL RECOMMENDATIONS

- Always observe safety rules when performing any maintenance.
- The warranty on this lawn mower does not cover items that have been subjected to operator abuse or negligence. To receive full value from the warranty, operator must maintain mower as instructed in this manual.
- Some adjustments will need to be made periodically to properly maintain your unit.
- All adjustments in the Service and Adjustments section of this manual should be checked at least once each season.
- Once a year check blade for wear.
- Follow the maintenance schedule in this manual.
- **Before each use:**
 - Be sure battery is fully charged.
 - Check for loose fasteners.

LUBRICATION

Keep unit well lubricated (See "LUBRICATION CHART").

LUBRICATION CHART



① Spray Lubricant

IMPORTANT: Do not oil or grease plastic wheel bearings. Viscous lubricants will attract dust and dirt and will shorten the life of the self-lubricating bearings. If you feel they must be lubricated, use only a dry, powdered graphite tube lubricant sparingly.

PRODUCT SPECIFICATIONS

MODEL NUMBER	917.386410
POWER	24V DC BATTERY / 17 AMP-HOUR 40 AMP FUSE
BLADE SPEED	3200 RPM
CUTTING WIDTH	20"
CHARGER	12-16 HOUR RECHARGE
BLADE BOLT TORQUE:	35-40 FT. LBS.

TIRES

- Keep tires free of gasoline, oil, or insect control chemicals which can harm rubber.
- Avoid stumps, stones, deep ruts, sharp objects and other hazards that may cause tire damage.

BLADE CARE

For best results, mower blade must be kept sharp. Replace bent or damaged blades.

TO REMOVE BLADE

- Remove fuse and keep in a safe place away from mower.
- Use a wood block between blade and mower housing to prevent blade from turning when removing blade bolt.
- Protect your hands with gloves and/or wrap blade with heavy cloth.
- Remove blade bolt by turning counter-clockwise. Use a box or open-end wrench.
- Remove blade and attaching hardware (bolt, lock washer and hardened washer)
- Remove the blade adapter and check the key inside hub of blade adapter. The key must be in good condition to work properly. Replace adapter if damaged.

TO REPLACE BLADE

- Position the blade adapter on the motorshaft. Be sure key in adapter and motorshaft keyway are aligned.
- Position blade on the blade adapter aligning the two (2) holes in the blade with the raised lugs on the adapter.
- Be sure the trailing edge of blade (opposite sharp edge) is up toward the motor.
- Install the blade bolt with the lock washer and hardened washer into blade adapter and motorshaft.
- Use block of wood between blade and lawn mower housing and tighten the

blade bolt, turning clockwise.

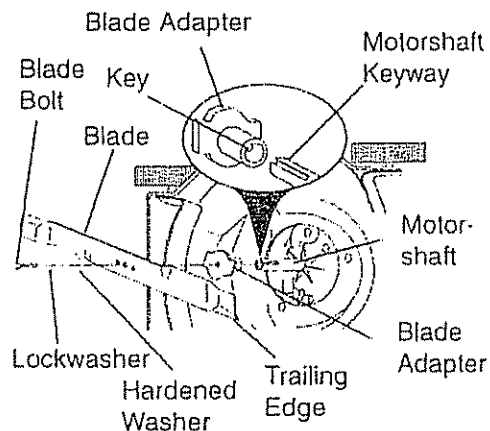
- The recommended tightening torque is 35-40 ft. lbs

IMPORTANT: Blade bolt is grade 8 heat treated.

NOTE: We do not recommend sharpening blade, but if you do, be sure the blade is balanced.

TO SHARPEN BLADE

Care should be taken to keep the blade balanced. An unbalanced blade will cause eventual damage to lawn mower or motor.



- The blade can be sharpened with a file or on a grinding wheel. Do not attempt to sharpen while on the mower.
- To check blade balance, drive a nail into a beam or wall. Leave about one inch of the straight nail exposed. Place center hole of blade over the head of the nail. If blade is balanced, it should remain in a horizontal position. If either end of the blade moves downward, sharpen the heavy end until the blade is balanced.

GRASS CATCHER

- The grass catcher may be hosed with water, but must be dry when used. Remove grass catcher from mower before cleaning
- Check your grass catcher often for damage or deterioration. Through normal use it will wear. If catcher needs replacing, replace only with a manufacturer approved replacement catcher. Give the lawn mower model number when ordering.

CLEANING

CAUTION: Remove fuse from motor and place it in a safe place away from mower.

- Turn lawn mower on its side. Clean the underside of your lawn mower by scraping to remove build-up of grass and trash.
- Keep finished surfaces and wheels free of all gasoline, oil, etc.
- DO NOT use a garden hose to clean lawn mower. Use a damp cloth to wipe grass and dirt from mower.

SERVICE AND ADJUSTMENTS

CAUTION: Before performing any service or adjustments:

- Release operator presence control bar and stop motor.
- Make sure the blade and all moving parts have completely stopped.
- Remove fuse from motor and keep in a safe place away from mower.

REAR DEFLECTOR

The rear deflector, attached between the rear wheels of your mower, is provided to minimize the possibility that objects will be thrown out of the rear of the mower into the operator mowing position. If the deflector becomes damaged, it should be replaced.

TO ADJUST HANDLE

Your lawn mower handle can be raised or lowered for your mowing comfort. Four (4) positions are available: high, medium high, medium low and low. Handles are shipped mounted in the medium low position.

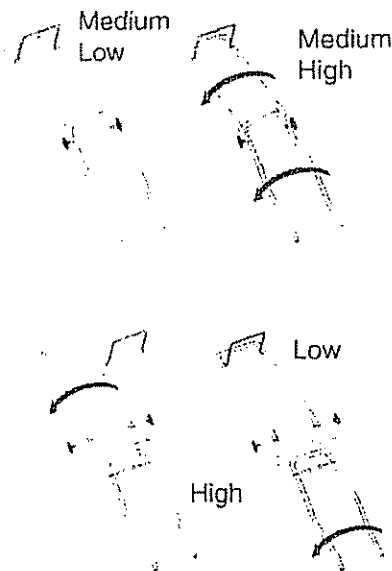
- Before making adjustments, remove fuse. To change from medium low to medium high position, the upper and lower handle sections will have to be turned over.
- Remove the controls and operator presence control bar from the upper handle.
- Remove hairpin cotters.
- Disconnect the lower handle from the handle brackets.
- Turn the handle over and reassemble the hairpin cotters that have been removed.

- Reassemble the controls and the operator presence control bar to the upper handle.

CAUTION: The operator presence control bar must pivot freely to permit switching off the motor when control bar is released. Do not overtighten the fasteners holding the controls to the upper handle.

- To change from medium low to high position only the upper handle section will have to be turned over.
- To change from medium low to low position, only the lower handle section will have to be turned over.

Shipping Position



BATTERY

The battery in your mower is a rechargeable 24 volt sealed lead acid battery.

TO GET THE MAXIMUM BATTERY LIFE, WE RECOMMEND THE FOLLOWING:

- Fully recharge battery prior to initial use.

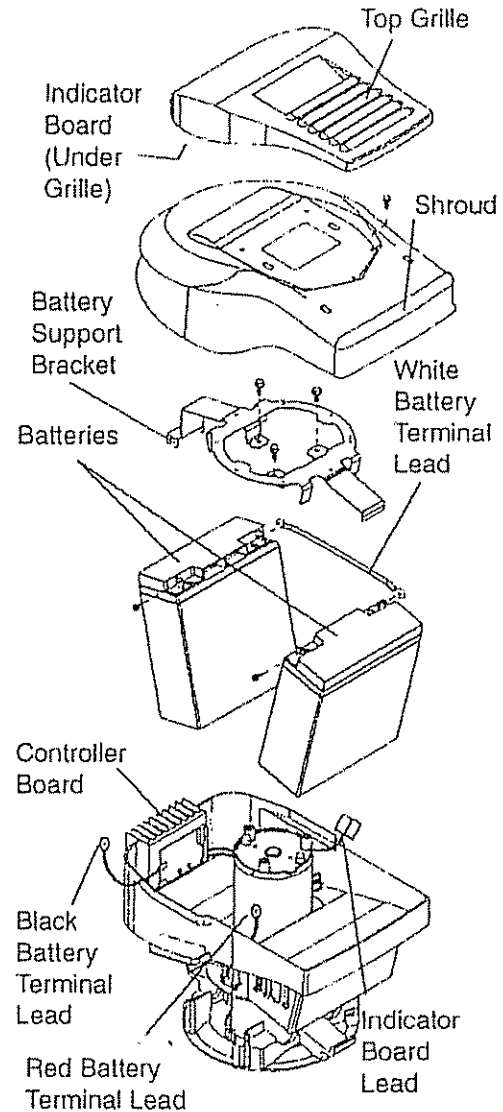
- Recharge battery immediately after each use.
- Recharge battery continuously when mower is not in use.
- Always charge battery indoors in a dry, protected place.
- DO NOT charge in extreme hot or cold temperatures. Charge mower battery in a location where temperature is more than 50°F (10°C) but less than 100°F (37°C).

BATTERY REPLACEMENT

If battery replacement becomes necessary, follow the instructions below. Read these instructions in their entirety before proceeding with disassembly.

- Remove fuse and keep in a safe place away from mower.
- Carefully remove top grille from shroud. Start at side rear corner of grille by pressing inward and up to release grille from shroud.
- From underside of grille, unplug lead from indicator board. Note the position and routing of the lead for later reassembly.
- Remove screws securing shroud to battery support bracket. Remove shroud from mower.
- Remove battery terminal leads from battery (4 places). Note color and position of leads for later reassembly.
- Before removing the battery support bracket, note how the front of the bracket secures the controller board. Remove the screws securing battery support bracket to motor and remove the bracket.
- Remove batteries.
- Install new batteries by reversing the above instructions.

- Be sure controller board is secured properly.
- Be sure all leads are routed and installed properly.
- Be sure all hardware is tightened securely.



TO PRESERVE NATURAL RESOURCES, PLEASE RECYCLE OR DISPOSE OF BATTERY PROPERLY. THIS PRODUCT CONTAINS SEALED LEAD ACID BATTERIES. MUST BE DISPOSED OF PROPERLY. Local, state, or federal laws may prohibit disposal of lead-acid batteries in ordinary trash. Consult your local waste authority for information regarding available recycling and/or disposal options. Most Sears Automotive Centers accept lead-acid batteries for recycling.

WARNING: Upon removal, cover the battery's terminals with heavy duty adhesive tape. Do not attempt to destroy or disassemble battery pack or remove any of its components. Also, never touch both terminals with metal objects and/or body parts a short circuit may result. Keep away from children. Failure to comply with these warnings could result in fire and/or serious injury.

STORAGE

Immediately prepare your lawn mower for storage at the end of the season or if the unit will not be used for 30 days or more.

LAWN MOWER

When lawn mower is to be stored for a period of time, clean it thoroughly, remove all dirt, grease, leaves, etc. Store in a clean, dry area.

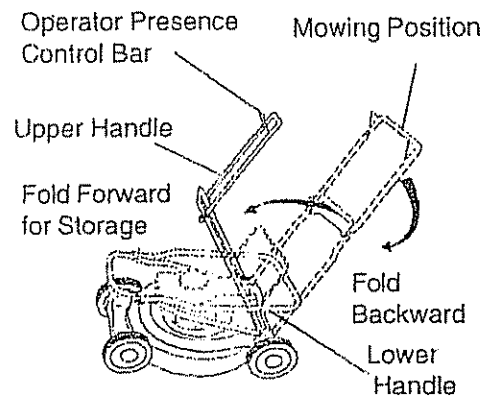
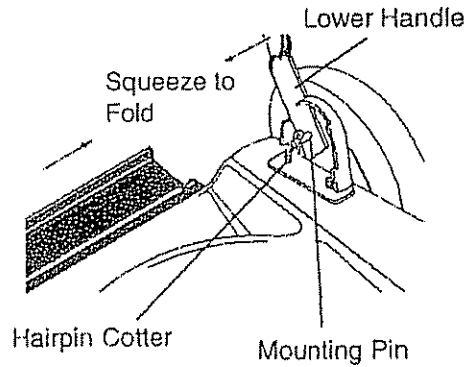
- Clean entire lawn mower (See "CLEANING" in the Maintenance section of this manual).
- Lubricate as shown in the Maintenance section of this manual.
- Be sure that all nuts, bolts, screws, and pins are securely fastened. Inspect moving parts for damage, breakage and wear. Replace if necessary.
- Touch up all rusted or chipped paint surfaces and lightly sand before painting.

HANDLE

You can fold your lawn mower handle for storage.

- Unplug the switch plug box cord from motor before folding handle (See "To Unfold Handle" in Assembly section of this manual).
- Squeeze the bottom ends of the lower handle toward each other until the lower handle clears the handle bracket, then move handle forward.
- Loosen upper handle mounting bolts enough to allow upper handle to be folded back.

IMPORTANT: When folding the handle for storage or transportation, be sure to fold the handle as shown or you may damage the control cables.



- When setting up your handle from the storage position, the lower handle will automatically lock into the mowing position.

BATTERY

- Recharge the battery to a full charge. Do not store mower with a discharged battery. Battery failure will occur in a very short time if mower is stored without having a full charge. We recommend that you charge battery continuously while in storage and during the off season.

OTHER

- If possible, store your unit indoors and cover it to give protection from dust and dirt.
- Cover your unit with a suitable protective cover that does not retain moisture. Do not use plastic. Plastic cannot breathe which allows condensation to form and will cause your unit to rust.

TROUBLESHOOTING CHART

PROBLEM	CAUSE	CORRECTION
Does not start	<ul style="list-style-type: none"> • Fuse has been removed from mower • Charger has not been unplugged from mower charge port • Battery may need to be recharged • Blade does not rotate freely or mower deck is clogged 	<ul style="list-style-type: none"> • Install fuse • Remove charger plug from mower charge port • Charge battery • Remove fuse, turn mower on its side and check blade. Make sure it is free to rotate. Also check for clogging.
Poor performance	<ul style="list-style-type: none"> • Grass too high or thick (Overload light is on 25% of the time) • Low battery voltage (Low power light stays on while mowing) 	<ul style="list-style-type: none"> • Raise mower cutting height to cut 1/3 of grass length. • Walk at a slower pace so overload light stays off. • Reduce cutting width if needed. • Remove fuse, check deck for clogging, check blade for sharpness. • Reduce cutting load • Walk at slower pace • Reduce cutting width • Raise cutting height • Recharge batteries
Poor cut – uneven	<ul style="list-style-type: none"> • Worn, bent or loose blade. • Wheel heights uneven. • Buildup of grass, and trash leaves, under mower. 	<ul style="list-style-type: none"> • Remove fuse. • Replace blade. Tighten blade bolt. • Set all wheels at same height. • Remove fuse and clean underside of mower housing.
Excessive vibration	<ul style="list-style-type: none"> • Worn, bent or loose blade • Bent motor motorshaft. 	<ul style="list-style-type: none"> • Remove fuse. • Replace blade. Tighten blade bolt. • Contact an authorized service center.

PROBLEM	CAUSE	CORRECTION
Mower stops	<ul style="list-style-type: none"> • If high current light stays on momentarily after mower stops, load is too much for mower. • If low power light stays on, mower slows down, then stops. 	<ul style="list-style-type: none"> • Remove fuse and turn mower on its side. Make sure blade is free to rotate. Also check mower for clogging. • Batteries may be low, near the need of charging. Recharge batteries. • Grass may be too heavy for remaining battery capacity. Try the following: <ul style="list-style-type: none"> • Walk slower. • Reduce cutting width • Raise mower cutting height
Grass catcher not filling	<ul style="list-style-type: none"> • Cutting height too low. • Lift on blade worn off. • Catcher not venting air. 	<ul style="list-style-type: none"> • Raise cutting height • Replace blade. • Clean grass catcher.
Hard to push	<ul style="list-style-type: none"> • Grass is too high or wheel height is too low. • Rear of lawn mower housing or blade dragging in grass. • Grass catcher too full. • Handle height position not right for you. 	<ul style="list-style-type: none"> • Raise cutting height. • Raise rear of lawn mower housing one (1) setting higher. • Empty grass catcher • Adjust handle height to suit.
Mower Does Not Stop when Operator Presence Control Bar is Released	<ul style="list-style-type: none"> • Operator presence control bar is damaged. • Start switch button sticks or damaged. 	<ul style="list-style-type: none"> • Replace operator presence control bar. • Replace start switch button.

TABLA DE MATERIAS

Reglas de Seguridad	15	Programa de Mantenimiento	22
Especificaciones del Producto	23	Servicio y Ajustes	24
Mantenimiento	22	Almacenamiento	25
Garantía	15	Identificación de problemas	26
Montaje	18	Partes de repuesto	Vea el manual inglés del dueño
Operación	19	Orden de Partes	Contratapa

GARANTÍA

GARANTÍA LIMITADA DE DOS AÑOS PARA LA SEGADORA A MOTOR CRAFTSMAN

Por dos (2) años, a partir de la fecha de compra, cuando esta Segadora Craftsman se mantenga, lubrique y aline según las instrucciones para la operación y el mantenimiento del manual del dueño, Sears reparará gratis todo defecto en el material y la mano de obra.

Si la Segadora Craftsman se usa para fines comerciales o de arriendo, esta garantía sólo se aplica por noventa (90) días a partir de la fecha de compra.

Esta Garantía no cubre:

- Artículos que se desgastan durante el uso normal tales como las cuchillas segadoras rotatorias, los adaptadores de la cuchilla, y las correas.
- Reparaciones necesarias debido al abuso o a la negligencia del operador, incluyénd los cigüeñales doblados y la falta de mantenimiento del equipo según las instrucciones que se incluyen en el Manual del Dueño.

EL SERVICIO DE GARANTÍA ESTA DISPONIBLE al devolver la segadora a motor Craftsman en un centro/departamento de servicio Sears más cercano en los estados unidos. Esta garantía se aplica solamente mientras el producto este en uso en los estados unidos.

Esta Garantía le otorga derechos legales específicos, y puede que también tenga otros derechos que varíen de estado a estado.

Sears, Roebuck and Co., Hoffman Estates, IL 60179 USA

REGLAS DE SEGURIDAD

ATENCIÓN: No intente operar esta segadora hasta que halla leído completamente y comprenda bien las instrucciones, las leyes de seguridad, etc. de este manual. Si no se observan las instrucciones siguientes se puede producir accidentes relacionados con el fuego, electro-choques, o lesiones graves. Guarde este Manual del Dueño y revíselo de vez en cuando para seguir manteniendo un uso seguro y instruyendo a otras personas las cuales vayan a utilizar la segadora acochadora.

Los estandartes de seguridad exigen la presencia del operador en los controles para reducir a un mínimo el riesgo de lesionarse. Su unidad viene equipada con dichos controles. Por ningún motivo trate de eliminar la función de los controles que exigen la presencia del operador.

ENTRENAMIENTO:

- Lea este manual del operador cuidadosamente. Familiarícese con los controles y aprenda a operar su segadora en forma adecuada. Aprenda a parar su segadora rápidamente.

- No permita que los niños usen su segadora. Nunca permita que los adultos operen la segadora sin contar con las instrucciones adecuadas.
- Mantenga el área de operación despejada de gente, especialmente de niños pequeños y de animales domésticos.
- Use la segadora solamente para los fines propuestos por el fabricante y según las explicaciones descritas en este manual.
- No opere la segadora si se ha caído o dañado en cualquiera forma. Siempre repare los daños antes de usarla.

- No use accesorios que no hayan sido recomendados por el fabricante. El uso de dichos accesorios puede ser peligroso.
- La cuchilla gira cuando el motor está en marcha.
- Evite arranques accidentales. No juegue con el botón del interruptor y la barra de control de la presencia del operador cuando no esté utilizando la segadora.

PREPARACIÓN:

- Siempre revise cuidadosamente el área que se va a segar y despijela de todas las piedras, palos, alambres, huesos y otros objetos extraños. Estos objetos serán lanzados con la cuchilla y pueden producir lesiones graves.
- Siempre use anteojos de seguridad o protectores de ojos cuando arranque y durante el tiempo que use la segadora.
- Vístase en forma adecuada. No opere la segadora sin zapatos o con sandalias abiertas. Use solamente zapatos sólidos con buena tracción cuando siegue.
- Siempre haga los ajustes de altura de las ruedas antes de hacer arrancar su segadora. Nunca trate de hacer esto mientras que el motor está funcionando.
- Siegue siempre durante el día o con buena luz artificial.
- No inserte el alambre de la bujía en la segadora hasta que vaya a utilizarla.
- Proteja sus pulmones. Utilice mascarillas cuando esté segando en áreas demasiado polvorosas.
- Remueva llaves ajustadoras. Acostumbrase en verificar que las llaves ajustadoras estén removidas de la segadora antes de utilizarla.

OPERACIÓN:

- Mantenga sus ojos y su mente en la segadora y en el área que se está cortando. No permita que otros intereses lo distraigan.
- No corte césped mojado o resbaloso. Nunca corra mientras esté operando su segadora. Siempre asegúrese de mantener el equilibrio – mantenga el mango agarrado firmemente y camine.
- No ponga las manos o los pies cerca o debajo de las partes rotatorias. Manténgase alejado de la abertura de descarga en todo momento.
- Siempre pare el motor cuando abandone o no esté utilizando la segadora, o cuando esté cruzando entradas para autos, los senderos, caminos, y áreas cubiertas de riego.
- Nunca dirija la descarga del material hacia los espectadores ni permita a nadie cerca de la segadora mientras la esté operando.
- Antes de limpiar, inspeccionar, o reparar

su segadora, pare el motor y esté completamente seguro de que la cuchilla y cualquier otra parte móvil se hallan paradas. Entonces remueva el alambre de la bujía para prevenir arranques accidentales.

- No continúe haciendo funcionar su segadora si le pega a un objeto extraño. Siga el procedimiento descrito anteriormente, y repare cualquier daño antes de volver a arrancar o operar su segadora.
- No opere la segadora si vibra anormalmente. Demasiada vibración puede ser la indicación que halla algún daño; pare el motor y verifique la causa de la vibración. Repare cuando sea necesario.
- No haga funcionar el motor bajo cualquier recinto cerrado.
- Nunca corte el césped tirando la segadora hacia usted. Siegue a través de la cara de las pendientes, nunca hacia arriba o hacia abajo pues puede perder el equilibrio. No siegue pendientes demasiado empinadas. Tenga cuidado cuando opere la segadora en terreno disperejo o cuando cambie de dirección – mantenga un buen equilibrio.
- Nunca opere la segadora sin las protecciones adecuadas, las planchas del recogedor de césped y otros dispositivos de seguridad en su lugar.
- No fuerce la segadora. Funcionara mejor y más rápidamente al paso del que fue diseñada. Cuando esté segando en superficies rugosas o sobre hierba alta, seleccione la posición de corte alto.
- No intente ir fuera de alcance. Guarde ambos pies en el suelo así como siempre mantenga su equilibrio a todo momento.
- Permanezca alerta. Tenga cuidado con lo que haga. No utilice la segadora cuando esté cansado. No corra o se de prisa cuando esté segando.
- No utilice la segadora después de haber tomado alguna droga, alcohol, o cualquier medicación.
- Peligro: Guardase lejos del área de la cuchilla. Tenga cuidado del peligro de lesiones graves. Guarde las manos y los pies lejos de la cuchilla. NO intente en remover cualquier objeto de debajo de la segadora cuando la cuchilla esté en movimiento.
- Si la segadora se para, alivie la barra de control de la presencia del operado y espere a que la cuchilla se pare completamente. Remueva el alambre de la bujía antes de intentar remover cualquier objeto de debajo de la caja de la segadora. Inspeccione con seguridad y asegúrese que cualquier daño sea reparado antes de volver a empezar y utilizar la segadora.

MANTENIMIENTO Y ALMACENAMIENTO:

- Revise la cuchilla así como los pernos de montaje del motor con frecuencia para asegurarse que estén bien apretados.
- Revise todos los pernos, tuercas y tornillos a intervalos para verificar si están apretados en forma adecuada, y asegurarse que la segadora se encuentre en buenas condiciones.
- Mantenga todos los dispositivos de seguridad en su lugar y listos para funcionar.
- Para reducir el peligro de incendios, mantenga el motor libre de hierba, hojas o demasiado grasa o aceite.
- Verifique la bolsa del recogedor del césped por cualquier deterioro o desgaste. Reemplace los recogedores desgastados. Use solamente las bolsas de repuesto recomendadas por el fabricante o asegúrese que complan con las propias especificaciones.
- Siempre mantenga una cuchilla afilada en su segadora.
- Siempre permita que el motor se enfríe antes de guardar la segadora en cualquier recinto cerrado.
- Siempre guarde la segadora seca y limpia. Siempre utilice un trapo limpio cuando este limpiando la segadora. Nunca utilice fluidos de los frenos, gasolina, cualquier otro producto con base de petróleo, solventes o agua para limpiar la segadora.
- No siga si el interruptor no pueda ser encendido y apagado. Haga hacer el reemplazo de un interruptor deficiente por un técnico cualificado en un centro/departamento de servicio autorizado.
- Inspeccione aquellas partes dañadas. Antes de que siga segando, un protector o cualquier otra parte la cual esta dañada deberá ser inspeccionada para determinar si puede ser utilizada. Verifique la posición de las partes con movimiento, aquellas partes las cuales encuentre rotas, partes del montaje, y cualquier otra condición la cual pueda afectar la operación de la segadora. Cualquier protector o otras partes las cuales encuentre dañadas deberán ser correctamente reparadas o reemplazadas por un técnico cualificado en un centro/departamento de servicio autorizado más cercano.
- Cuando haga servicio a su segadora utilice solamente partes Craftsman. El servicio de esta segadora deberá ser echo solamente por un técnico de servicio cualificado. Para obtener servicio le sugerimos que se ponga en contacto con su centro/departamento de servicio autorizado más cercano.
- Cuando vaya a reemplazar la cuchilla, utilice solamente partes recomendadas por el fabricante. El uso de cualquier otra cuchilla puede producir lesiones graves o daño a su segadora.
- Guarde la segadora en el interior de un local. Cuando no la este utilizando, la segadora deberá ser almacenada adentro de una cochera, un sótano, etc. El área que elija como almacén deberá ser un área seca y fuera del alcance de

niños

- Conserve la segadora con mucho cuidado. Para que pueda obtener mejores y seguros resultados, mantenga la cuchilla afilada y limpia. Siga las instrucciones del fabricante cuando vaya a cambiar los accesorios.

INSTRUCCIONES DE SEGURIDAD PARA EL CARGADOR:

- **AISLAMIENTO DOBLE.** El cargador de su segadora esta compuesto de doble aislamiento. Esto significa que esta separado del sistema eléctrico del cargador por dos capas de aislamiento de electricidad completamente distintas. Esta segunda capa es para proteger el operador de choques eléctricos por causa de rupturas en el aislamiento del alambrado. Todas las partes de metal expuestas están aisladas de los elementos activos con el aislamiento de protección. Cargadores de doble aislamiento no deben ser de toma de tierra. Tenga mucho cuidado cuando vaya a hacer el servicio del cargador de doble aislamiento el conocimiento del sistema es muy importante y deberá ser efectuado solamente por un técnico cualificado.
- Antes de cargar la batería, lea todas las instrucciones y notas de advertencia del manual de su segadora.
- No permita que su segadora recolchadora entre en contacto con la lluvia o la nieve.
- Para reducir el riesgo de daño al tapón del cargador, estire el cordón por el tapón mejor que por el cordón cuando vaya a desconectarlo de la entrada del cargador o del enchufe de la pared.
- Asegúrese que el cordón este colocado de modo que no pueda ser pisoteado, tropezado, o sujeto a cualquier daño.
- No utilice la segadora si el cargador halla recibido un fuerte golpe, halla sido derramado, o por cualquier razón halla sido dañado en cualquier modo; llévelo a un técnico de servicio cualificado.
- No desmonte la segadora; llévela a un técnico de servicio cualificado cuando necesite servicio o reparos. Puede producirse el riesgo de choques eléctricos o fuego si la segadora esta montada mal.
- Para reducir el riesgo de electrochoques, remueva el fusible antes de intentar cualquier mantenimiento de limpieza. No reducirá el riesgo solamente si apaga el control.

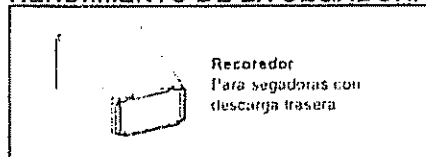
ADVERTENCIA: Remueva siempre el fusible para prevenir un arranque accidental durante el ajuste, el transporte, el ajuste o cuando este haciendo reparos.

ACCESORIOS PARA LA SEGADORA

Estos accesorios estaban disponibles cuando se produjo la segadora. También están disponibles en la mayoría de las tiendas de Sears y en los centros de servicio. La mayoría de las tiendas Sears también pueden mandar a

pedir partes de repuesto para usted, si les proporciona el número del modelo de su segadora. Algunos de estos accesorios tal vez no se apliquen a su segadora

RENDIMIENTO DE LA SEGADORA



MANTENIMIENTO DE LA SEGADORA



MONTAJE

PARA REMOVER LA SEGADORA DE LA CAJA DE CARTÓN

- Remueva las partes sueltas que se incluyen con la segadora.
- Corte las dos esquinas de los extremos de la caja de cartón y tienda el panel del extremo plano
- Remueva todo el material de empaque, excepto la cuña entre el mango superior y el inferior, y la cuña que sujeta la barra de control que exige la presencia del operador junto con el mango superior
- Haga rodar la segadora hacia afuera de la caja de cartón y revisela cuidadosamente para verificar si todavía quedan partes sueltas adicionales
- No inserte el alambre de la bujía en este momento

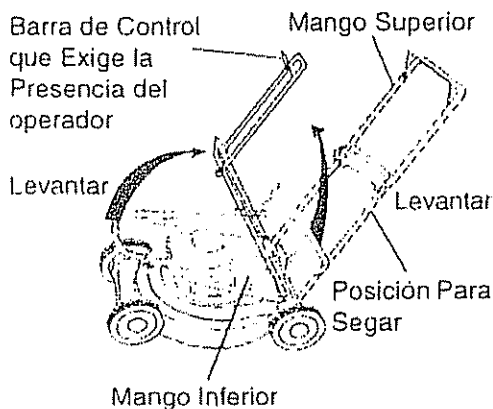
COMO PREPARAR SU SEGADORA PARA DESDOBLAR EL MANGO

IMPORTANTE: Desdoble el mango con cuidado para no pinchar o dañar los cable de control

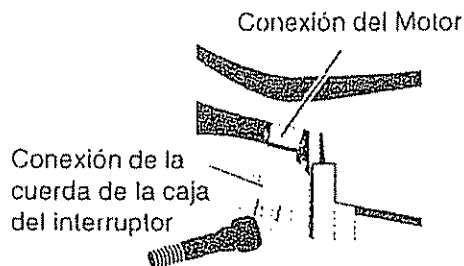
- Levante los mangos hasta que la sección del mango inferior se asegure en su lugar, en la posición para segar
- Levante la sección del mango superior hasta su lugar en el mango inferior, remueva la cuña protectora y apriete ambas manillas del mango.
- Remueva la cuña del mango que sujeta la barra de los control que exige la presencia del operador junto con el mango superior
- El mango de la segadora puede ajustarse

según le acomode para segar. Refiérase a "Ajuste del Mango" en la sección de Servicio y Ajustes de este manual.

- No inserte el alambre de la bujía en este momento
- Enchufe la conexión de la cuerda de la



caja del interruptor en la conexión del motor. El tapón se encuentra en el lado derecho del motor



OPERACIÓN

FAMILIARICESE CON SU SEGADORA

LEA ESTE MANUAL DEL DUEÑO Y LAS REGLAS DE SEGURIDAD ANTES DE OPERAR SU SEGADORA. Compare las ilustraciones con su segadora para familiarizarse con la ubicación de los diversos controles y ajustes. Guarde este manual para referencia en el futuro.

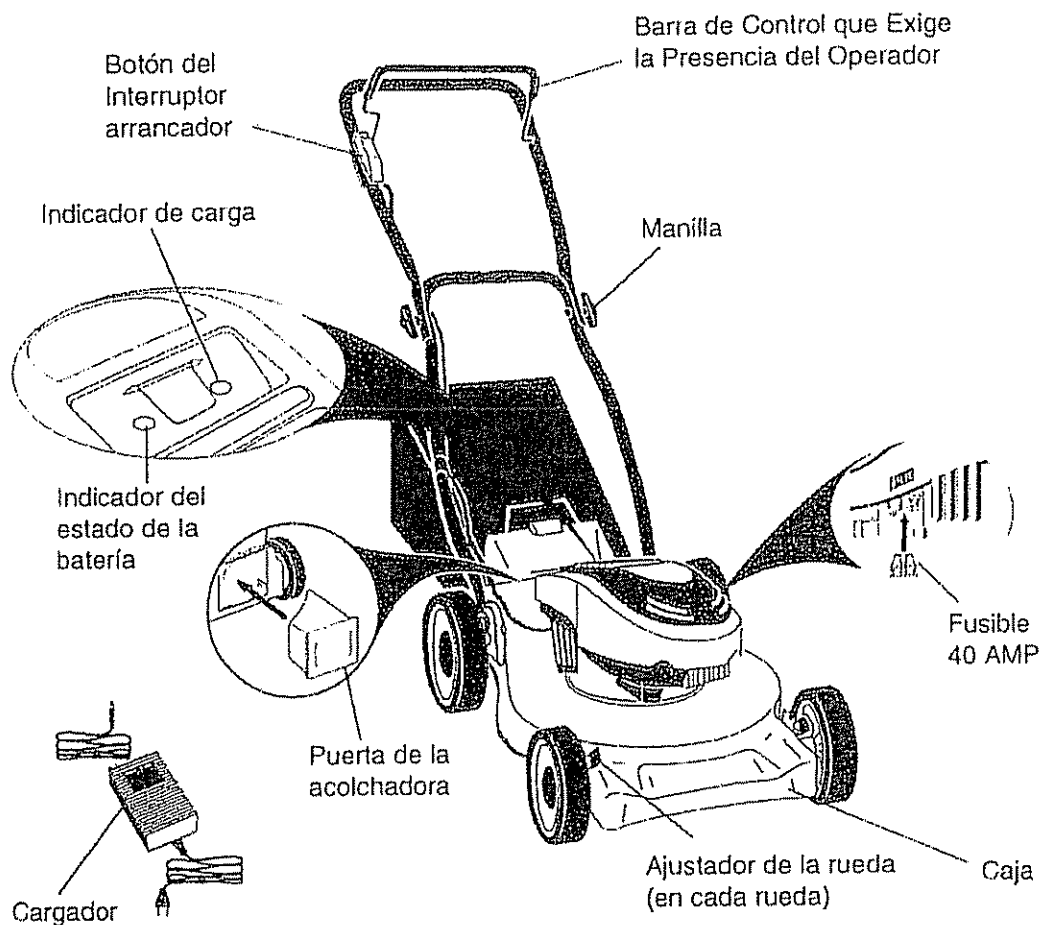
Estos símbolos pueden aparecer sobre su segadora o en la literatura proporcionada con el producto. Aprenda y comprenda sus significados.



ATENCIÓN O
ADVERTENCIA



PELIGRO. GUARDE LAS
MANOS Y LOS PIES LEJOS



CUMPLE CON LOS REQUISITOS DE SEGURIDAD DE LA CPSC

Nuestras segadoras a motor, que se conducen desde la parte de atrás, rotatorias, Sears, cumplen con los estándares de seguridad del American National Standards Institute y de la U.S. Consumer Product Safety Commission. La cuchilla gira cuando el motor está funcionando.

Barra de Control que Exige la Presencia del Operador – de ser comprimida al mango durante el arranque y el uso del motor. Aflojela para parar el motor.

Indicador del Estado de la Batería – alerta al operado cuando la capacidad de la batería se acerca de la descarga de 80% (quedan aproximadamente de 10 a 15 minutos, dependiendo de las condiciones del césped).

Indicador de carga – alerta al operado que la segadora esta experimentado un carga demasiada grande.

Puerta de la Acolchadora – permite la transformación de una operación de descarga a ensacamiento.

Fusible – debe estar enchufado para operar y cargar la segadora.

PARA CARGAR LA BATERÍA

La batería ha sido cargada en la fábrica. Sin embargo, será necesario de volver a cargar la batería para asegurar que este completamente cargada antes de utilizar la segadora

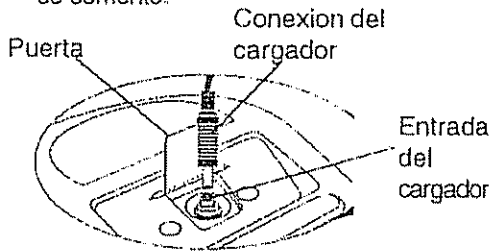
- Siempre cargue la segadora adentro de un garage, una cochera, etc donde estará protegido del clima. NO la deje al descubierto donde pueda ponerse en contacto con la lluvia o la nieve
- No cargue la segadora durante temperaturas muy calurosas o muy frías.

AVISO: Demasiado calor es peor que demasiado frío, especialmente cuando vaya a almacenar la segadora. Guarde la segadora en un sitio donde la temperatura no es mas de 50°F (10°C) pero menos de 100°F (37°C).

- Guarde la segadora lejos del agua, calentadores, estufas, radiadores, llamas, químicos, corrosivos, etc.

PARA CARGAR

- La segadora estará incapacitada durante la carga. Cuando enchufe el cargador a dentro de la segadora interrumpirá el circuito.
- El alambre de la bujía debe de estar enchufado cuando se este cargando la batería.
- Abra la puerta de entrada para exponer la entrada del cargador.
- Enchufe el conducto del cargador en la entrada.
- Enchufe la cuerda del cargador en la toma de corriente.



AVISO: Siempre enchufe PRIMERO el cargador adentro de la segadora. Entonces en el enchufe de la pared. Si no paga atención al orden de este procedimiento puede que la batería no se cargue completamente.

- Asegúrese que la toma de corriente sea solamente de 120 voltios, 60 Hz, AC.
- La luz indicadora roja sobre el cargador se encenderá, indicando el estado de "marcha" de la segadora.

AVISO: Si la batería no se carga, vea la Tabla de identificación de Problemas.

- Asegúrese de que el fusible esté enchufado.

- Cuando la batería esta completamente cargada, la luz roja se apagará y la luz verde se encenderá.
- Permita 16 horas para que se cargue completamente la batería. Podrá utilizar la segadora con un batería 50% cargada si necesita terminar el trabajo.
- Su segadora ha sido diseñada para que pueda ser almacenada en el modo de carga. Puede guardarlo en el modo de carga durante el tiempo de almacenamiento.



La operación de cualquier segadora puede hacer que salten objetos extraños dentro de sus ojos, lo que puede producir daños graves en éstos.

Siempre use anteojos de seguridad o protección para los ojos mientras opere su segadora o cuando haga ajustes o reparaciones.

Recomendamos una mascara de seguridad de visión amplia, para uso espejuelos o anteojos de seguridad estandarte.

CONTROL DE LA ZONA DEL MOTOR

PRECAUCIÓN: Las regulaciones federales exigen que se instale un control para el motor en esta segadora para reducir el riesgo de lesion debido al contacto con la cuchilla. Por ningún motivo trate de eliminar la función del control del operador. La cuchilla vira cuando el motor esta en marcha.

- Su segadora viene equipada con una barra de controles que exigen la presencia del operador, lo que requiere que el operador esté detrás del mango de la segadora para hacerla arrancar y operarla.

PARA AJUSTAR LA ALTURA DE CORTE

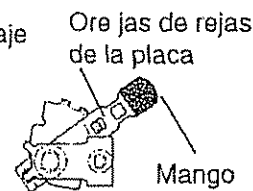
- Levante las ruedas para el corte bajo y baje las ruedas para el corte alto.
- Ajuste la altura de corte para que se acomode a sus requisitos. La posición del medio es la mejor para la mayoría de los céspedes.
- Para cambiar la altura de corte, empuje la palanca del ajustador hacia la rueda. Mueva la rueda hacia arriba o hacia abajo de modo que se acomode a sus requisitos. Asegurese que todas las ruedas queden igualmente ajustadas.

ATENCIÓN: El ajustador esta correctamente colocado cuando las orejas de la placa están insertadas en el agujero del mango. También, los ajustes de 9 posi-ciones (si equipado) permiten que el mango pueda ser movido entre las orejas de la placa.

Para un Corte Alto, Baje las Ruedas



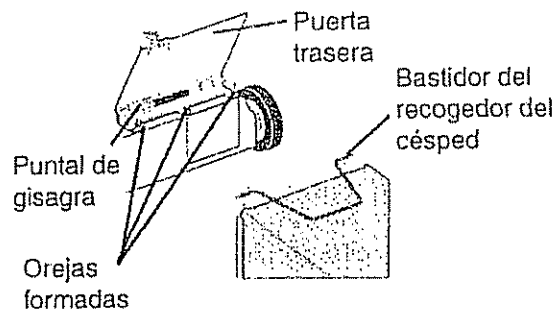
Para un Corte Bajo, Levante las Ruedas



PARA MONTAR Y ADJUNTAR EL RECOGEDOR DE CÉSPED

- Cierre la tapa soltable. La tapa soltable debe estar cerrada cuando se esta operando la segadora.
- Levante la puerta trasera de la caja de la segadora y ponga el bastidor del recogedor de césped en las orejas formadas en el puntal de bisagra de la puerta trasera.
- El recogedor de césped esta asegurado en la caja de la segadora cuando se baja la puerta trasera para descansar en el bastidor del recogedor de césped

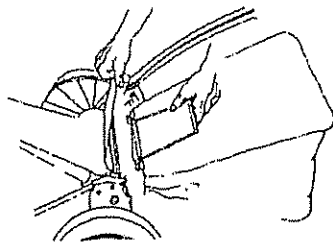
PRECAUCIÓN: No haga funcionar su segadora sin el desviador de recortes o sin el recogedor de césped, aprobados, en su lugar. Nunca trate de operar la segadora cuando se ha removido la puerta trasera o cuando está un poco abierta.



PARA VACIAR EL RECOGEDOR DE CÉSPED

- Para remover el recogedor del césped suelte la barra de control del operador para poder parar el motor.
- Levante la puerta de atras y remova el recogedor del césped por el mango.

AVISO: No arrastre la bolsa cuando la vacíe; se producirá un desgaste innecesario.



ANTES DE MONTAR EL MOTOR

- La segadora no funcionara con le cargador de la batería enchufado.
- Desenchufe el cargador del enchufe y remuévalo del motor.
- Sierré la puerta de entrada .

PARA ARRANCAR EL MOTOR

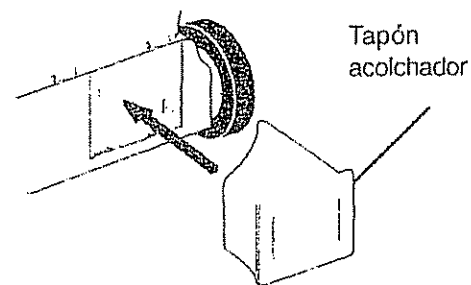
- Inserte el alambre de la bujía.
- Tenga la barra de control de la presencia del operado hacia el mango y empuje el botón arrancador de la segadora
- Para parar el motor, suelte la barra de control que exige la presencia del operador.

PARA INSTALAR LOS ACCESORIOS

Su segadora fue enviada lista para usarse como una acolchadora de capa vegetal. Para convertirla de modo que pueda ensacar o descargar:

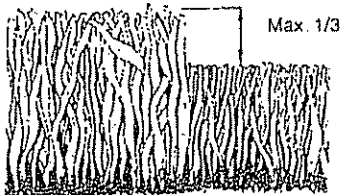
- Abra la puerta trasera y remueva la tapon acolchadora. Guárdela en un lugar seguro.
- Ahora puede instalar el recogedor o el desviador de recortes opcional.
- Para volver a la operación de acoichamiento con capa vegetal, instale la tapon acolchadora en la abertura de descarga de la segadora.

PRECAUCIÓN: No haga funcionar su segadora sin la tapon acolchadora aprobada en su lugar, o sin el desviador de recortes, o sin el recogedor de césped, aprobados, en su lugar. Nunca trate de operar la segadora cuando se ha removido la puerta trasera o cuando está un poco abierta.



CONSEJOS PARA SEGAR

- Bajo ciertas condiciones, tal como césped muy alto, puede ser necesario el elevar la altura del corte para reducir el esfuerzo necesario para empujar la segadora y para evitar sobrecargar el motor, dejando montones de recortes de césped. Puede que sea necesario reducir la velocidad del recorrido y/o haga funcionar la segadora sobre el área por segunda vez.
- Para un corte muy pesado, reduzca el ancho del corte pasando parcialmente por encima del lugar anteriormente cortado y siegue lentamente.
- Cuando use una segadora con descarga trasera en césped húmedo y pesado, los montones del césped cortado puede que no entren en el recogedor de césped. Reduzca la velocidad del recorrido (velocidad de empuje) y/o haga funcionar la segadora sobre el área por segunda vez.
- Si queda una huella de cortes en el lado derecho de una segadora con descarga trasera, siegue en la dirección en que giran las manillas del reloj, solapando un poco para recaudar los recortes en la próxima pasada.
- Los poros en los recogedores de césped de tela pueden llenarse con mugre y polvo con el uso y los recogedores recaudarán menos césped. Para evitar esto, rocíe el recogedor con la manguera de agua regularmente y déjelo secarse antes de usarlo.
- Mantenga la parte superior del motor, alrededor del arrancador, despejada y sin recortes de césped y paja. Esto ayudará el flujo del aire del motor y extenderá su duración.



CONSEJOS PARA SEGAR Y ACOLCHAR

IMPORTANTE: Para obtener el mejor rendimiento mantenga la caja de la de la segadora sin acumulación de césped y basura. Vea "Limpieza" en la sección de Responsabilidades del Cliente de este manual.

- La especial cuchilla acolchadora recortara los recortes de césped varias veces, y los reducirá en tamaño, de modo que si se caen en el césped se dispensaran y no se notarán. También, el césped acolchado se va a deshacer rápidamente entregando substancias nutritivas para el césped. Siempre acoiche con la velocidad del motor (cuchilla) más alta, pues así se obtendrá la mejor acción de recorte de las cuchillas.
- Evite cortar el césped cuando esté mojado. El césped mojado tiende a formar montones e interfiere con la acción de acolchado. La mejor hora para segar el césped es temprano en la tarde. A esa hora éste se ha secado y el área recién cortada no quedará expuesta al sol directo.
- Para obtener los mejores resultados, ajuste la altura del corte de la segadora de modo que ésta corte solamente el tercio superior de las hojas de césped. En el caso de que el césped haya crecido demasiado, puede ser necesario el elevar la altura del corte para reducir el esfuerzo necesario para empujar la segadora y para evitar sobrecargar el motor, dejando montones de recortes de césped. Para acolchamiento extensivo, reduzca la anchura del corte, siegue lentamente y mueva el ajustador de rueda de la parte trasera de la segadora a un nivel mas alto de la parte de delante de la segadora.
- Ciertos tipos de condiciones de césped pueden exigir que un área tenga que ser acolchada por segunda vez para esconder completamente los recortes. Cuando se haga el segundo corte, siegue atravesado o en forma perpendicular a la pasada del primer corte.
- Cambie su patrón de corte de semana a semana. Siegue de norte a sur una semana y luego cambie de este a oeste la próxima semana. Esto evitará que el césped se enrede y cambie de dirección.

MANTENIMIENTO

RESPONSABILIDADES DEL CLIENTE

PROGRAMA DE MANTENIMIENTO LLENE LAS FECHAS A MEDIDA QUE COMPLETE SU SERVICIO REGULAR	FECHAS DE SERVICIO										
	ANTES DE CADA USO	DESPUES DE CADA USO	CADA 10 HORAS	CADA 25 HORAS	ANTES DEL ALMACENAMIENTO						
Revisar si hay sujetadores sueltos	✓				✓						
Limpiar/inspeccionar el recogedor de césped (si viene equipado)	✓	✓			✓						
Limplar la segadora		✓			✓						
Revisar o/afililar/cambiar la cuchilla				✓ ¹	✓						
Tabla de lubricación				✓	✓						
Cargar		✓			✓						

1 - Cambie las cuchillas más a menudo cuando siegue en terreno arenoso

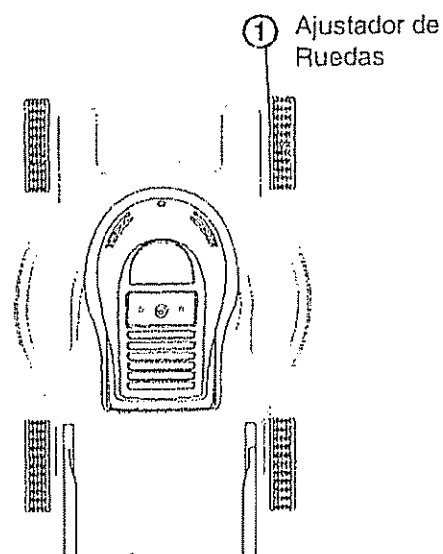
RECOMENDACIONES GENERALES

- Siempre observe las reglas de seguridad cuando haga el mantenimiento.
- La garantía de esta segadora no cubre los artículos que han estado sujetos al abuso o a la negligencia del operador. Para recibir todo el valor de la garantía, el operador tiene que mantener la segadora según las instrucciones descritas en este manual.
- Hay algunos ajustes que se tienen que hacer en forma periódica para poder mantener su unidad adecuadamente.
- Todos los ajustes en la sección de Servicio y Ajustes de este manual tienen que ser revisados por lo menos un vez por cada temporada.
- Una vez al año verifique la cuchilla para desgaste.
- Siga el programa de mantenimiento en este manual.
- Antes de Cada Uso
- Asegúrese de que la batería esté completamente cargada.
- Revise si hay sujetadores sueltos

LUBRICACIÓN

Mantenga la unidad bien lubricada

TABLA DE LUBRICACIÓN



① Rocie el Lubricante

IMPORTANTE: No aceite o engrase los rodamientos de la rueda de plástico. Los lubricantes viscosos atraeran polvo y mugre, lo que acortara la duracion de los rodamientos autolubricantes. Si cree que tienen que lubricarse, use solamente un lubricante tipo grafito, de polvo seco, en forma moderada.

ESPECIFICACIONES DEL PRODUCTO

NÚMERO DE MODELO	917 386410
PODER	24V DC BATERÍA / 17AMP-POR HORA 40 AMP FUSIBLE
VELOCIDAD DE LA CUCHILLA	3200 RPM
ANCHURA DEL CORTE	20"
CARGADOR	12-16 HORAS DE RECARGA
TORSIÓN DEL PERNO DE LA CUCHILLA:	35-40 FT. LBS.

LLANTAS

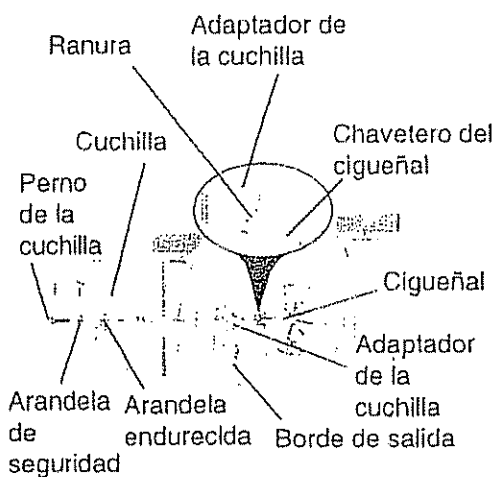
- Mantenga las llantas sin gasolina, aceite o sustancias químicas para control de insectos que pueden dañar la goma.
- Evite los tocones, las piedras, las grietas profundas, los objetos afilados y otros peligros que pueden dañar las llantas

CUIDADO DE LA CUCHILLA

Para obtener los mejores resultados, las cuchillas de la segadora tienen que mantenerse afiladas. Cambie las cuchillas dobladas o dañadas

PARA REMOVER LA CUCHILLA

- Remueva el fusible y póngalo en un lugar seguro lejos de la segadora
- Use un bloque de madera entre la cuchilla y la caja de la segadora para evitar que la cuchilla gire cuando se le quite el perno.
- Proteja sus manos con guantes y/o envuelva la cuchilla con una tela gruesa.
- Remueva el perno de la cuchilla girándolo en el sentido contrario en que giran las manillas del reloj. Utilicé una llave inglesa o una llave de tuerca.
- Remueva la cuchilla y los artículos de ferretería ajustadores (el perno, la arandela de seguridad y la arandela endurecida)



- Remueva el adaptador de la cuchilla y revise el cubo interior de la ranura del adaptador de la cuchilla. La ranura tiene que estar en buenas condiciones para que funcione en forma adecuada. Cambie el adaptador si está dañado

PARA CAMBIAR LA CUCHILLA

- Ponga el adaptador de la cuchilla en el cigüeñal. Asegúrese que la lave del adaptador y del cigüeñal estén alineados.
- Ponga la cuchilla en el adaptador de ésta alineando los dos (2) agujeros en la cuchilla con las salientes elevadas en el adaptador.
- Asegúrese que el borde de salida (opuesto al lado afilado) este puesto hacia el motor.
- Instale el perno de la cuchilla con la arandela de seguridad y la arandela endurecida en el adaptador de la cuchilla y el cigüeñal del chavetero.
- Use un bloque de madera entre la cuchilla y la caja de la segadora y apriete el perno de la cuchilla girándolo en el sentido en que giran las manillas del reloj
- La torsión para apretar recomendada es de (35 — 40 pies libras)

IMPORTANTE: El perno de la cuchilla es clase 8 tratado a calor.

AVISO: No recomendamos el afilar la cuchilla, pero si lo hace, asegúrese de que quede balanceada.

PARA AFILAR LA CUCHILLA

Se tiene que tener cuidado de mantenerla balanceada. Una cuchilla que no está balanceada va a producir eventualmente daño en la segadora o en el motor.

- La cuchilla puede afilarse con una lima o en una rueda rectificadora. No trate de afilarla mientras se encuentra en la segadora.
- Para revisar el balance de la cuchilla, clave un clavo en una viga o en la pared. Deje alrededor de una pulgada de un clavo recto expuesto. Ponga el agujero central de la cuchilla sobre la cabeza del clavo. Si la cuchilla está balanceada debe permanecer en la posición horizontal. Si cualquiera de los extremos de la cuchilla se mueve hacia abajo, afile el extremo pesado hasta que ésta quede nivelada.

RECOGEDOR DE CÉSPED

- El recogedor de césped puede ser rociado con el agua de la manguera pero tiene que estar seco cuando se vaya a usar.
- Revise su recogedor de césped a menudo para verificar si está dañado o deteriorado. Se va a desgastar con el uso normal. Si se necesita cambiar el recogedor, cámbielo solamente por uno que sea aprobado por el fabricante. Dé el número del modelo de la segadora cuando lo ordene.

LIMPIEZA

ATENCIÓN: Desconecte el alambre de la bujía de motor y póngalo en donde no pueda entrar en contacto con la segadora.

- Haga descansar la segadora en su lado. Limpie la parte inferior de su segadora raspándola para remover la acumulación de césped y basura.
- Mantenga las superficies pulidas y las ruedas sin gasolina, aceite, etc.
- No utilice una manguera para limpiar la segadora. Utilice un trapo húmedo para limpiar los recortes o suciedad de la segadora.

SERVICIO Y AJUSTES

PRECAUCIÓN: Antes de dar cualquier servicio o de hacer ajustes:

- Suelte la barra de control y pare el motor
- Asegúrese que la cuchilla y que todas las partes móviles se hayan detenido completamente.
- Remueva el alambre de la bujía del motor y póngala de lado donde no pueda ponerse en contacto con la segadora.

DESVIADOR TRASERO

Se proporciona un desviador trasero, adjunto entre las ruedas traseras de su segadora, para reducir a un mínimo la posibilidad que objetos sean lanzados hacia afuera de la parte trasera de la segadora, en la posición en donde se encuentra el operador. Si se daña el desviador debe cambiarse.

PARA AJUSTAR EL MANGO

Se puede levantar o bajar el mango de su segadora según le quede cómodo. Hay cuatro (4) posiciones disponibles: alta, mediana alta, mediana baja, baja. Los mangos se envían montados en la posición mediana baja.

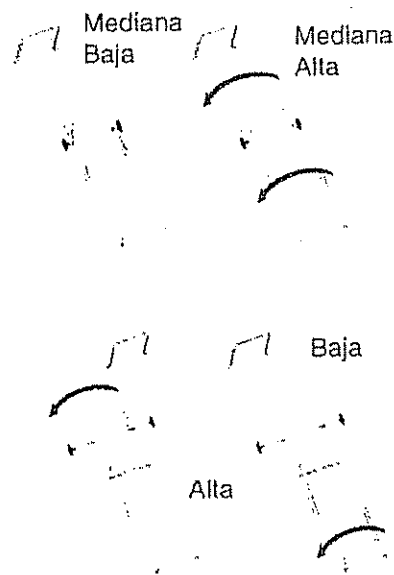
- Antes de hacer ajustes, remueva el alambre de la bujía. Para cambiar de la posición mediana baja a mediana alta, la sección superior y la inferior del mango tendrán que darse vuelta.
- Remueva los controles y la barra de controles que exigen la presencia del operador del mango superior.
- Remueva las clavijas de horquilla.
- Desconecte el mango inferior de los puntales del mango.
- De vuelta el mango y vuelva a montar las clavijas de horquilla que se habían removido.
- Vuelva a montar los controles y la barra de controles que exigen la presencia del operador en el mango superior.

ATENCIÓN: La barra de control de la presencia del operado debe poder ser pivoteada libremente para permitir que el motor pueda ser apagado cuando la barra de

control sea soltada. No apriete demasiado los sujetadores que sujetan a los controles al mango superior.

- Para cambiar de la posición de mediana baja a alta solamente se tendrá que dar vuelta la sección del mango superior.
- Para cambiar de la posición mediana baja a baja, solamente se tendrá que dar vuelta la sección del mango inferior.

Posición de Envío



BATERÍA

La batería de su segadora es una batería sellada con ácido de batería de 24 voltios la cual puede ser recargada.

RECOMENDAMOS LO SIGUIENTE PARA QUE PUEDA OBTENER LA VIDA MAXIMA DE SU BATERIA:

- Vuelva a cargar la batería inmediatamente después de cada uso.

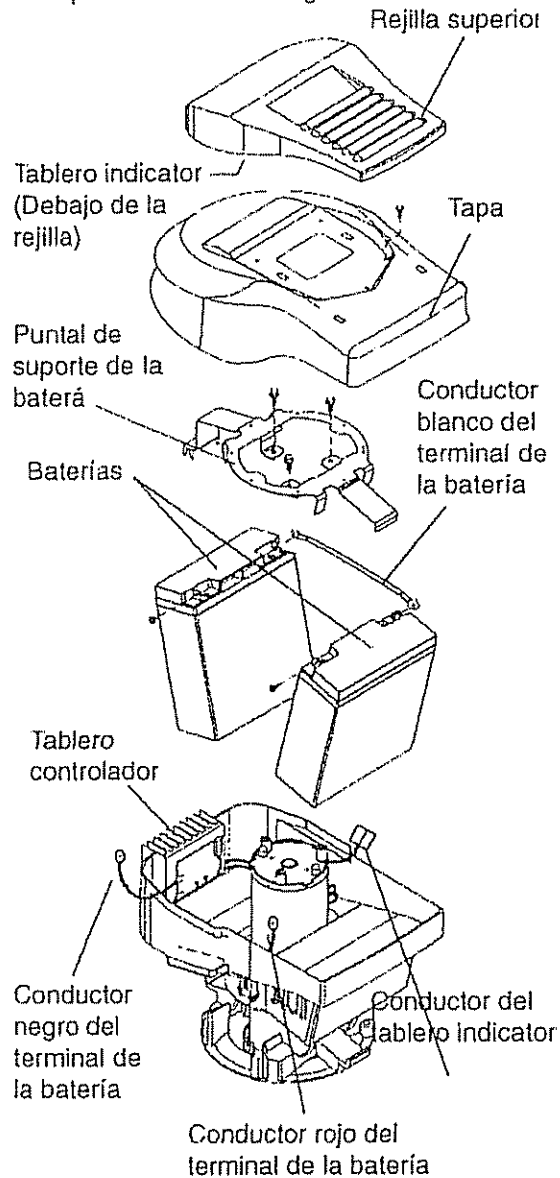
- Vuelva a carga la batería cada vez que la segadora no este utilizada.
- Siempre cargue la batería adentro en lugar seco, y protegido.
- NO intente cargar la batería en clima muy caluroso o frio. Cargue la batería en un sitio donde la temperatura no excede mas de 50°F (10°C) pero menos de 100°F (37°C).

- Asegúrese de que el tablero controlador esté asegurado correctamente.
- Asegúrese de que el conductor pase por el lugar correcto y de que esté instalado en forma correcta.
- Asegúrese de que toda la tornillería esté apretada en forma segura.

CAMBIO DE LA BATERIA

Si es necesario cambiar la batería siga las instrucciones a continuación. Repase todas las instrucciones antes de proceder con este montaje.

- Remueva el fusible y póngalo en un lugar seguro y alejado de la segadora.
- Remueva con cuidado la rejilla superior de la tapa. Empiece en la esquina trasera lateral de la rejilla presionando hacia adentro y hacia arriba para soltar la rejilla de la tapa.
- Desenchufe el conductor del tablero indicador desde la parte de abajo de la rejilla. Tome nota de la posición del conductor y de cómo pasa para volverlo a montar más tarde.
- Remueva los tornillos que aseguran la tapa al puntal de soporte de la batería. Remueva la tapa de la segadora.
- Remueva el conductor de los terminales de la batería (4 lugares). Tome nota del color y de la posición del conductor para volverlo a montar más tarde.
- Antes de remover el puntal de soporte de la batería, tome nota de cómo la parte delantera del puntal asegura el tablero controlador. Remueva los tornillos que aseguran el puntal de soporte de la batería al motor y remueva el puntal.
- Remueva las baterías.
- Instale las baterías nuevas invirtiendo las instrucciones anteriores.



PARA CONSERVAR LOS RECURSOS NATURALES, HAGA EL FAVOR DE RECICLAR O DE DESECHAR LA BATERIA EN FORMA ADECUADA. EL PRODUCTO CONTIENE BATERIAS DE ACIDO DE PLOMO SELLADAS. SE TIENEN QUE DESECHAR EN FORMA ADECUADA. LA MAYORÍA DE LOS CENTROS DE LOS CENTROS DE AUTOS ACEPTAN LAS BATERÍAS DE LOMO DE ÁCIDO PARA RECICLAJE. Las leyes locales, estatales o federales pueden prohibir desechar las baterías de ácido de plomo en el basurero común. Consulte con sus autoridades encargadas del desecho para obtener información con respecto al reciclamiento disponible y/o las opciones de desecho.

ADVERTENCIA: Después de la remoción, cubra los terminales de la batería con cinta adhesiva de tipo pesado. No trate de destruir ni de desmontar el paquete de la batería ni de remover ninguno de sus componentes. Además no toque nunca ambos terminales con objetos de metal ni con partes del cuerpo pues se puede producir un cortocircuito. Mantégalas alejadas de los niños. Si no se obedecen estas advertencias se pueden producir incendios y/o lesiones graves.

ALMACENAMIENTO

Prepare su segadora inmediatamente para el almacenamiento al final de cada temporada o si la unidad no se va a usar por 30 días o más

SEGADORA

Cuando se va a guardar la segadora por cierto período de tiempo, límpiala cuidadosamente, remueva toda la mugre, la grasa, las hojas, etc. Guárdela en un área limpia y seca.

- Limpie toda la segadora (Vea "LIMPIEZA" en la sección de Responsabilidades del Cliente de este manual).
- Lubríquela según se muestra en la sección de Responsabilidades del Cliente de este manual
- Asegúrese de que todas las tuercas y clavijas y todos los pernos y tornillos estén apretados en forma segura. Inspeccione las partes que se mueven para verificar si están dañadas, quebradas o desgastadas. Cámbielas si es necesario.
- Haga un toque ligero a todas las superficies oxidadas o aquellas con pinturas raspadas, pero antes de pintarlas impelelas un poco

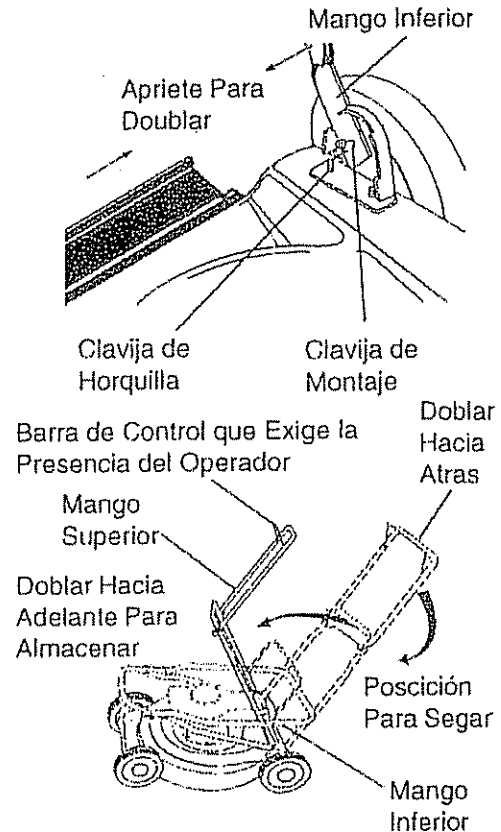
MANGO

Puede doblar el mango de su segadora para almacenarla.

- Desconecte la cuerda de la caja del tapón del interruptor del motor antes de plegar el mango (Vea "Para doblar el Mango" en la sección de Montaje de este manual).
- Apriete los extremos inferiores del mango inferior entre sí hasta que el mango inferior quede separado del puntal del mango, luego muévalo hacia adelante.
- Suelte los pernos de montaje del mango superior lo suficiente como para permitir que el mango superior se pueda doblar hacia atrás.

IMPORTANTE: Cuando doble el mango para el almacenamiento o el transporte, asegúrese que lo doble según se muestra o puede dañar los cables de control

- Cuando prepare sus mangos a partir de la posición de almacenamiento, el mango inferior automáticamente se asegurará en la posición para segar.



BATERÍA

- Vuelva a cargar la batería completamente. No almacene la segadora con una batería descargada. Se puede producir una falta de batería en muy poco tiempo si la segadora está almacenada sin una batería completamente cargada. Le recomendamos que cargue la batería continuamente durante el tiempo que este almacenada y fuera de temporada.

OTROS

- Si es posible, guarde su unidad en un recinto cerrado y cúbrala para protegerla contra el polvo y la mugre
- Cubra su unidad con un forro protector adecuado que no retenga la humedad. No use plástico. El plástico no puede respirar, lo que permite la formación de vaho, lo que producirá la oxidación de su unidad.

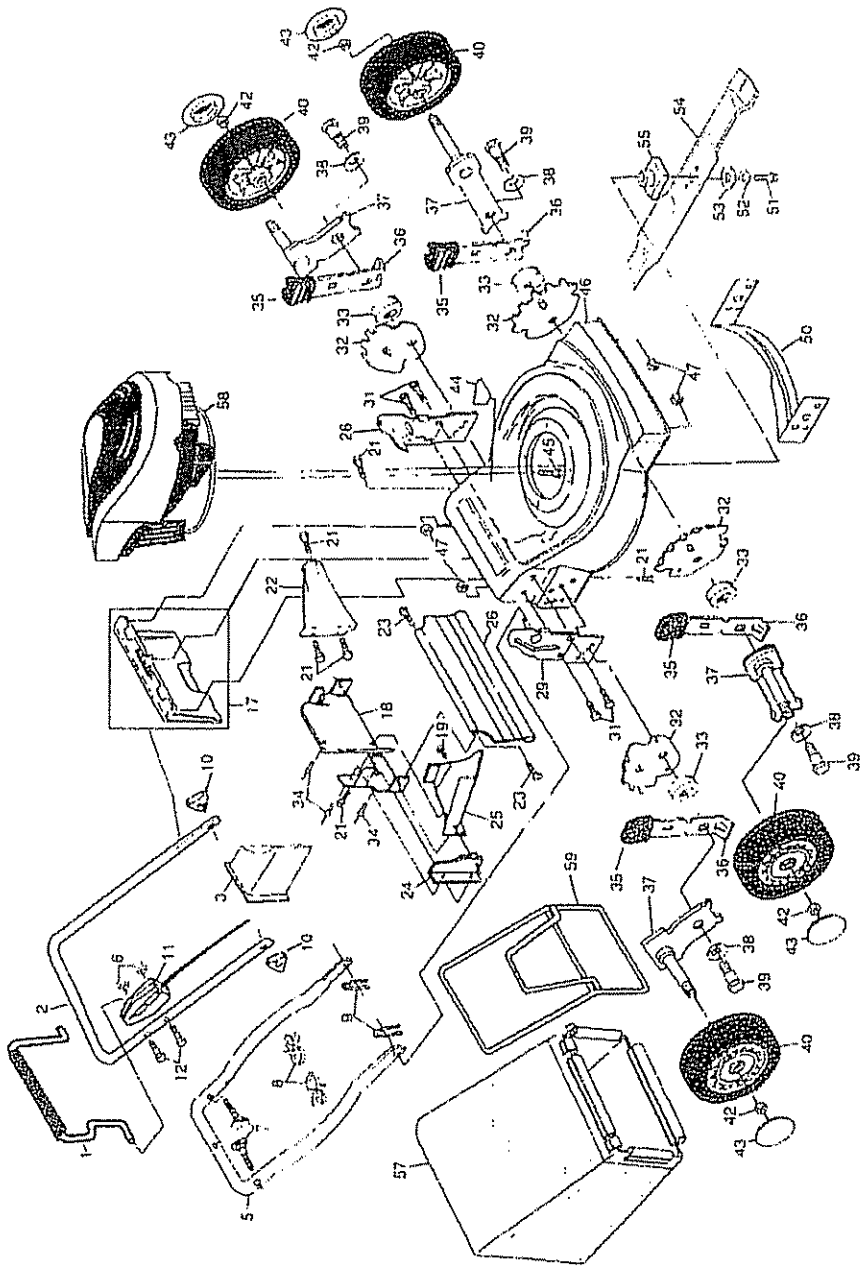
IDENTIFICACIÓN DE PROBLEMAS

PROBLEMA	CAUSA	CORRECCIÓN
No arranca	<ul style="list-style-type: none"> • El alambre de la bujía ha removido de la segadora • El cargador no ha sido desenchufado de la entrada del segadora cargador • Puede que la batería necesite ser cargada • La cuchilla no puede moverse libremente o el conjunto esta atascado. 	<ul style="list-style-type: none"> • Instale el alambre de la bujía • Remueva el tapón del cargador de la entrada del cargado • Cargue la batería • Remueva el alambre de la bujía, ponga la segadora sobre su lado y verifique la cuchilla. Asegúrese puede moverse libremente. Mire si hay cualquier atasco.
Funciona mal	<ul style="list-style-type: none"> • El césped esta demasiado alto o demasiado grueso (La luz de sobrecarga- miento esta encendida 25% del tiempo) • La tensión de la batería esta bajo (La luz que informa que hay poco poder se queda encendida cuando se esta segando) • Cuchilla usada, doblada o suelta. 	<ul style="list-style-type: none"> • Levante la altura de corte de la segadora a un corte 1/3. • Camine mas lentamente para que la luz de sobrecarga permanezca apagada. • Reduzca la anchura de corte, si es necesario. • Remueva el alambre de la bujía, verifique por cualquier atasco, y vea si la cuchilla esta bien afilada. • Reduzca la carga. • Camine mas lentamente. • Reduzca el anchura del corte. • Levante la altura de corte. • Vuelva a cargar las baterías.
Mal corte - disparejo	<ul style="list-style-type: none"> • La altura de las ruedas no son las mismas • Acumulación de césped, y recortes de hojas, debajo de la segadora. • Cuchilla usada, doblada o suelta. 	<ul style="list-style-type: none"> • Remueva el alambre de la bujía. • Cambie la cuchilla. Apriete el perno de la cuchilla. • Ponga todas las ruedas a la misma altura. • Remueva el alambre de la bujía y limpié la parte de debajo del conjunto segador.
Demaciado vibracion	<ul style="list-style-type: none"> • El cigüeñal del motor esta torcido. 	<ul style="list-style-type: none"> • Remueva el alambre de la bujía. • Reemplace la cuchilla. Apriete a fondo el tornillo de la cuchilla.

PROBLEMA	CAUSA	CORRECCION
		<ul style="list-style-type: none"> • Póngase en contacto con un centro/departamento de servicio autorizado.
La segadora se para	<ul style="list-style-type: none"> • La luz de corriente alta se queda encendida por un poco después de que la segadora se halla parado, el trabajo es demasiado para la segadora. • Si la luz de poder bajo se enciende, la velocidad de la segadora disminuye, y entonces se para. 	<ul style="list-style-type: none"> • Remueva el alambre de la bujía y vierta la segadora en su lado. Asegúrese que la cuchilla pueda moverse libremente. También verifique que la segadora no este atascada. • Las baterías pueden estar bajas, o bien cerca de necesitar ser cargadas. Cargue las baterías. • El césped puede ser demasiado grueso para la batería restante. Intente lo siguiente: <ul style="list-style-type: none"> • Ande mas lentamente. • Cambie la cuchilla. • Limpié el recogedor del césped.
Recogedor de césped no se llena	<ul style="list-style-type: none"> • Altura de corte demasiado baja. • Levantamiento de la cuchilla desgastado. • Recogedor sin ventilación de aire. 	<ul style="list-style-type: none"> • Eleve la altura de corte • Cambie la cuchilla. • Limpié el recogedor del césped
Difícil de empujar	<ul style="list-style-type: none"> • El césped esta demasiado alto o la altura de la rueda demasiado baja. • Parte trasera de la caja/ cuchilla de la segadora arrastandose en el césped. • Recogedor de césped demasiado lleno. • Posición de la altura del mando no adecuada para usted. 	<ul style="list-style-type: none"> • Eleve la altura de corte • Eleve el conjunto trasero de la segadora (1) posición mas alta. • Vacíe el recogedor del césped. • Ajuste la altura del mando para que acuerde con usted.
Segadora no se para cuando se suéltala barra de control de la presencia del operado	<ul style="list-style-type: none"> • La barra de control de la presencia del operador esta dañada. • El botón arrancador se pega o esta dañado. 	<ul style="list-style-type: none"> • Cambie la barra de control de la presencia del operador. • Cambie el botón arrancador.

REPAIR PARTS

ROTARY LAWN MOWER MODEL NUMBER 917.386410

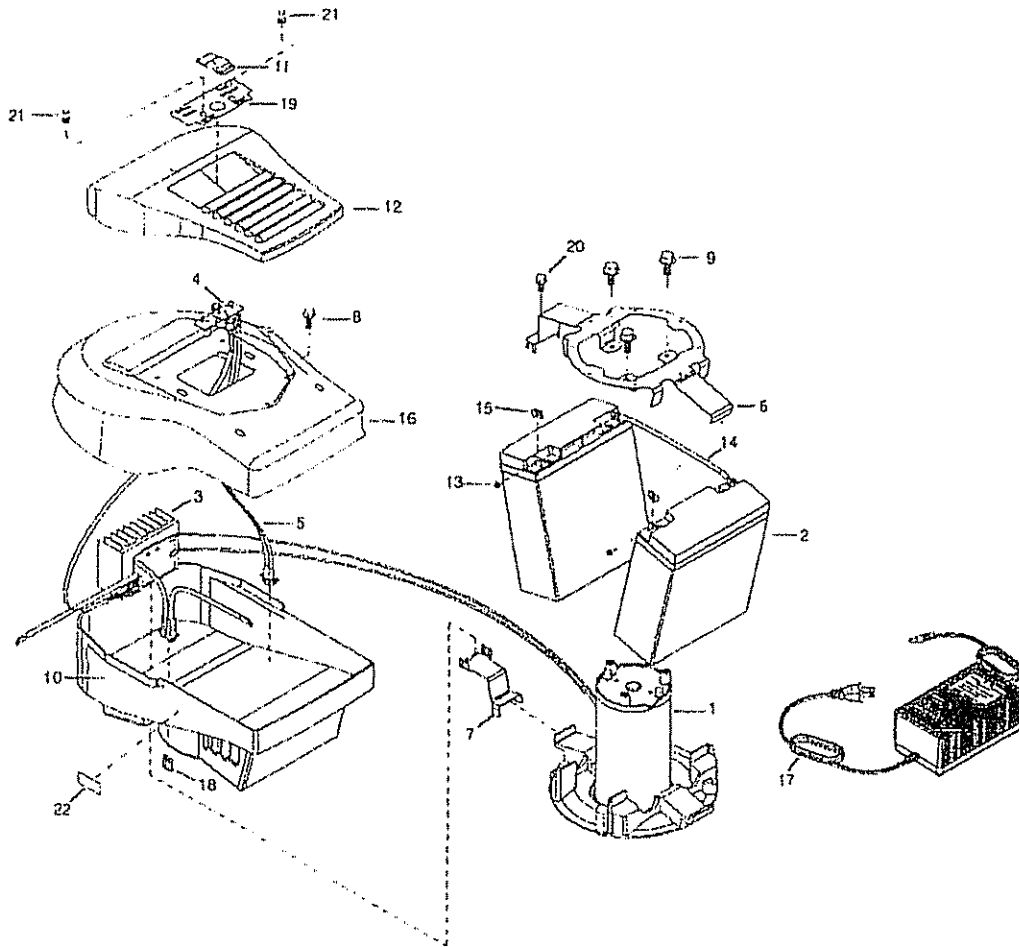


ROTARY LAWN MOWER MODEL NUMBER 917.386410

Key Part No.	Description	Key Part No.	Description
1	154830 Control Bar	34	128415 Pop Rivet
2	850989X479 Upper Handle	35	701037 Selector Knob
3	150424 Mulcher Plug	36	700331X004 Selector Spring
5	151516X479 Lower Handle	37	145935X004 Axle Arm Assembly
6	132004 Locknut 1/4-20	38	62335 Beileville Washer
7	131959 Handle Bolt	39	142748 Shoulder Bolt
8	151517 Cable Clip	40	151157 Wheel and Tire Assembly
9	51793 Hairpin Cotter	42	83923 Hex Flange Locknut
10	87692 Handle Knob	43	77400 Hubcap
11	153312 Engine Zone Control Cable	44	85463 Danger Decal
12	144929 Hex Head Bolt 1/4-20 x 1-1/2	45	150406 Hex Head Thread Rolling Screw 3/8-16 x 1
17	147610 Rear Door Assembly Kit	46	48405 Lawn Mower Housing (Incl. Key #18, 22, 24, 44, 50)
18	700357X479 Back Plate	47	751592 Locknut 3/8-16
19	150050 Self Tapping Screw 10-24 x 5/8	50	700938X479 Front Baffle
21	54583 Hex Head Tapping Screw 1/4-20 x 1/2	51	851084 Hex Head Machine Screw 3/8-24 x 1-3/8 (Grd. 8)
22	700063X479 Rear Baffle	52	850263 Helical Lockwasher 3/8
23	88652 Hinge Screw 1/4-20 x 1-1/4	53	851074 Washer
24	700363X479 Side Baffle	54	156716 Blade 20"
25	144875X479 Discharge Baffle	55	851514 Blade Adapter
26	140657 Rear Deflector	57	751663 Grass Bag
28	151512X558 Handle Bracket Assembly (Left)	58	Motor Electric (See Breakdown)
29	151511X558 Handle Bracket Assembly (Right)		Model No.143.970002
31	150078 Screw 5/16-18 x 3/4	59	88614 Throat Frame
32	750085X007 Wheel Adjusting Bracket	--	156968 Owner's Manual
33	146630 Spacer	--	154328 Battery Charger 24 Volt
		--	154826 Fuse for Motor

MOTOR ASSEMBLY

MODEL NUMBER 143.970002



KEY NO.	PART NO.	DESCRIPTION
1	90000	Motor Assembly
2	90001	Battery Assembly (Includes 13, 14, 15)
3	90002	Controller Board
4	90003	Indicator Board
5	90004	Lead Wire Assembly
6	90005	Bracket, Battery Support
7	90006	Bracket, Lower
8	30200	Screw, Shroud
9	650737	Screw, Bracket
10	90007	Battery, Box
11	90008	Charger, Port Cover
12	90009	Grill
13	90010	Screw, Battery
14	90011	Wire, Assembly
15	90012	Clip, Battery
16	90014	Shroud
17	90015	Battery Charger
18	90016	Fuse, 40 Amp
19	90017	Decal
20	650767	Screw
21	90021	LED, Lens Cap
22	90022	Fuse Decal

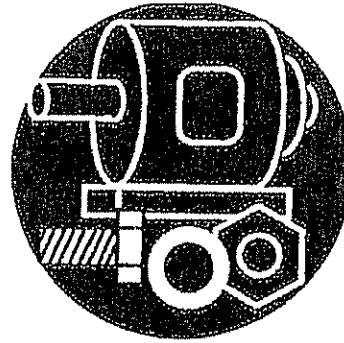
NOTE: All component dimensions given in U.S.
Inches 1 inch = 25.4 mm

For the repair or replacement parts you need delivered directly to your home
Call 7 am - 7 pm, 7 days a week

1-800-366-PART

(1-800-366-7278)

Para ordenar piezas con entrega a domicilio - 1-800-659-7084



For in—house major brand repair service
Call 24 hours a day, 7 days a week

1-800-4-REPAIR

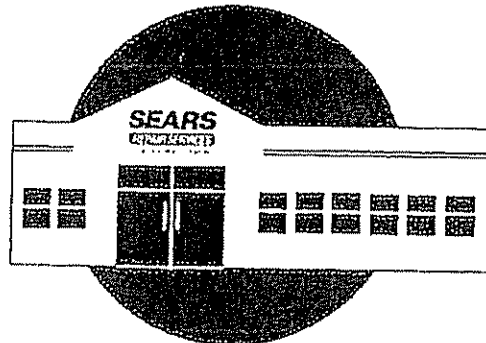
(1-800-473-7274)

Para pedir servicio de reparación a domicilio - 1-800-676-5811



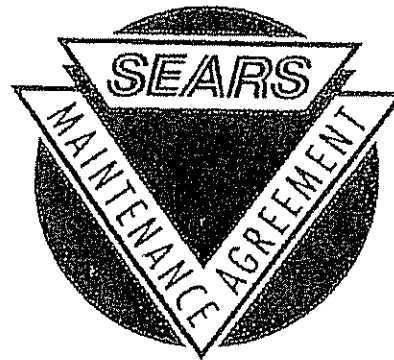
For the location of a Sears Parts and Repair Center in your area
Call 24 hours a day, 7 days a week

1-800-488-1222



For information on purchasing a Sears Maintenance Agreement or to inquire about an existing Agreement
Call 9 am - 5 pm, Monday-Saturday

1-800-827-6655



When requesting service or ordering parts, always provide the following information:

- Product Type
- Part Number
- Model Number
- Part Description



America's Repair Specialists

Free Manuals Download Website

<http://myh66.com>

<http://usermanuals.us>

<http://www.somanuals.com>

<http://www.4manuals.cc>

<http://www.manual-lib.com>

<http://www.404manual.com>

<http://www.luxmanual.com>

<http://aubethermostatmanual.com>

Golf course search by state

<http://golfingnear.com>

Email search by domain

<http://emailbydomain.com>

Auto manuals search

<http://auto.somanuals.com>

TV manuals search

<http://tv.somanuals.com>