

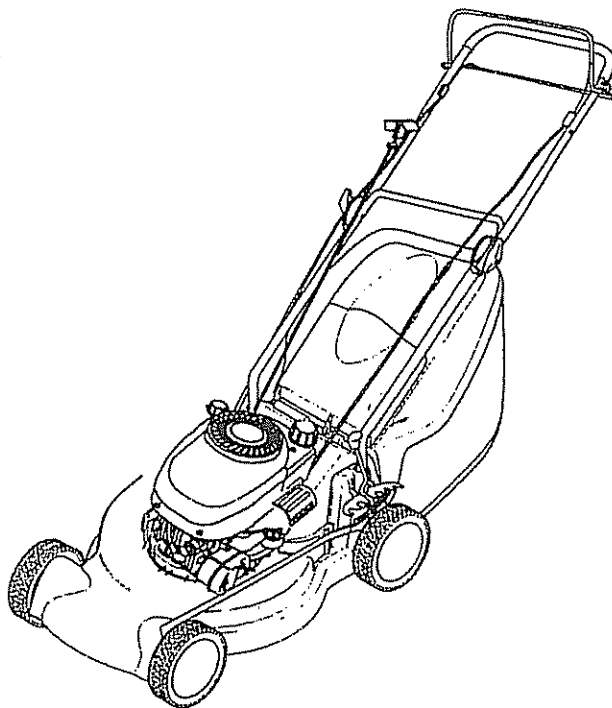
Owner's Manual

# CRAFTSMAN®

**5.0 HORSEPOWER  
19" REAR BAGGER  
ROTARY LAWN MOWER**

Model No.  
917.389190

- Safety
- Assembly
- Operation
- Maintenance
- Español
- Repair Parts



**CAUTION:**

Read and follow all  
Safety Rules and Instructions  
before operating this equipment

Sears, Roebuck and Co., Hoffman Estates, IL 60179  
Visit our Craftsman website: [www.sears.com/craftsman](http://www.sears.com/craftsman)

## WARRANTY



### LIMITED TWO YEAR WARRANTY ON CRAFTSMAN POWER MOWER.

For two years from date of purchase, when this Craftsman Lawn Mower is maintained, lubricated, and tuned up according to the operating and maintenance instructions in the owner's manual, Sears will repair free of charge any defect in material or workmanship. If this Craftsman Lawn Mower is used for commercial or rental purposes, this warranty applies for only 90 days from the date of purchase.

This Warranty does not cover:

- Expendable items which become worn during normal use, such as rotary mower blades, blade adapters, belts, air cleaners and spark plug.
- Repairs necessary because of operator abuse or negligence, including bent crankshafts and the failure to maintain the equipment according to the instructions contained in the owner's manual.

Warranty service is available by returning the Craftsman power mower to the nearest Sears Service Center/Department in the United States. This warranty applies only while this product is in use in the United States. This Warranty gives you specific legal rights, and you may also have other rights which vary from state to state. SEARS, ROEBUCK AND CO., D/817 WA, HOFFMAN ESTATES, ILLINOIS 60179

## SAFETY RULES



### KNOW YOUR LAWN MOWER

READ THIS OWNER'S MANUAL AND SAFETY RULES BEFORE OPERATING YOUR LAWN MOWER.

Compare the illustrations with your lawn mower to familiarize yourself with the location of various controls and adjustments. Save this manual for future reference.

These symbols may appear on your lawn mower or in literature supplied with product. Learn and understand their meaning.



Warning



Fuel



Oil



Danger, keep hands and feet away.

Safety standards require operator presence controls to minimize the risk of injury. Your unit is equipped with such controls. Do not attempt to defeat the function of the controls under any circumstances.

### TRAINING:

- Read this operators manual carefully. Become familiar with the controls and know how to operate your mower properly. Learn how to quickly stop mower.
- Do not allow children to use your mower. Never allow adults to use mower without proper instructions.
- Keep the area of operation clear of all persons, especially small children and pets.
- Use mower only as the manufacturer intended and as described in this manual.
- Do not operate mower if it has been dropped or damaged in any manner. Always have damage repaired before using your mower.
- Do not use accessory attachments that are not recommended by the manufacturer. Use of such attachments may be hazardous.
- The blade turns when the engine is running.



## SAFETY RULES

### PREPARATION:

- Always thoroughly check the area to be mowed and clear it of all stones, sticks, wires, bones and other foreign objects. These objects will be thrown by the blade and can cause severe injury.
- Always wear safety glasses or eye shields when starting and while using your mower.
- Dress properly. Do not operate mower when barefoot or wearing open sandals. Wear only solid shoes with good traction when mowing.
- Check fuel tank before starting engine. Do not fill gas tank indoors, when the engine is running or when the engine is hot. Allow the engine to cool for several minutes before filling the gas tank. Clean off any spilled gasoline before starting the engine.
- Always make wheel height adjustments before starting your mower. Never attempt to do this while the engine is running.
- Mow only in daylight or good artificial light.

### OPERATION:

- Keep your eyes and mind on your mower and the area being cut. Do not let other interests distract you.
- Do not mow wet or slippery grass. Never run while operating your mower. Always be sure of your footing - keep a firm hold on the handles and walk.
- Do not put hands or feet near or under rotating parts. Keep clear of the discharge opening at all times.
- Always stop the engine whenever you leave or are not using your mower, or before crossing driveways, walks, roads and any gravel - covered areas.
- Never direct discharge of material toward bystanders nor allow anyone near the mower while you are operating it.
- Before cleaning, inspecting, or repairing your mower, stop the engine and make absolutely sure the blade and all moving parts have stopped. Then disconnect the spark plug wire and keep it away from the spark plug to prevent accidental starting.
- Do not continue to run your mower if you hit a foreign object. Follow the procedure outlined above, then repair any damaged before restarting and operating your mower.
- Do not change the governor settings or overspeed the engine. Engine damage or personal injury may result.

- Do not operate your mower if it vibrates abnormally. Excessive vibration is an indication of damage; stop the engine, safely check for the cause of vibration and repair as required.
- Do not run the engine indoors. Exhaust fumes are dangerous.
- Never cut grass by pulling the mower towards you. Mow across the face of slopes, never up and down or you might lose your footing. Do not mow excessively steep slopes. Use caution when operating the mower on uneven terrain or when changing directions - maintain good footing.
- Never operate your mower without proper guards, plates, grass bag or other safety devices in place.

### MAINTENANCE AND STORAGE:

- Check the blade and the engine mounting bolts often to be sure they are tightened properly.
- Check all bolts, nuts and screws at frequent intervals for proper tightness to be sure mower is in safe working condition.
- Keep all safety devices in place and working.
- To reduce fire hazard, keep the engine free of grass, leaves or excessive grease and oil.
- Check grass bag often for deterioration and wear and replace worn bags. Use only replacement bags that are recommended by and comply with specifications of the manufacturer of your mower.
- Always keep a sharp blade on your mower.
- Allow engine to cool before storing in any enclosure.
- Never store mower with fuel in the tank inside a building where fumes may reach an open flame or an ignition source such as a hot water heater, space heater, clothes dryer, etc.

**▲CAUTION:** Always disconnect spark plug wire and place wire where it cannot contact spark plug in order to prevent accidental starting when setting up, transporting, adjusting or making repairs.

### WARNING

The engine exhaust from this product contains chemicals known to the State of California to cause cancer, birth defects, or other reproductive harm.

## ASSEMBLY INSTRUCTIONS

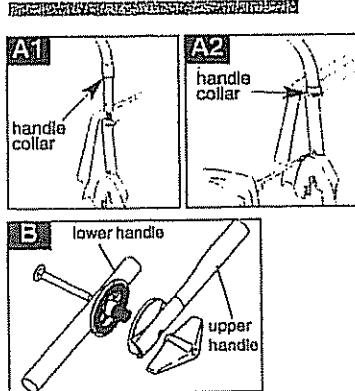


### TO REMOVE LAWN MOWER FROM CARTON

- Remove loose parts included with mower
- Cut down two end corners of carton and lay end panel down flat.
- Roll lawn mower out of carton and check carton thoroughly for additional loose parts.

Read these instructions and this manual in its entirety before you attempt to assemble or operate your new lawn mower. Your new lawn mower has been assembled at the factory with exception of those parts left unassembled for shipping purposes. All parts such as nuts, washers, bolts, etc., necessary to complete the assembly have been placed in the parts bag. To ensure safe and proper operation of your lawn mower, all parts and hardware you assemble must be tightened securely. Use the correct tools as necessary to ensure proper tightness.

### Handles



### To Unfold Handle.

**IMPORTANT:** Unfold handles carefully so as not to pinch or damage control cables.

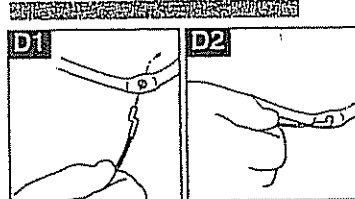
### Lower Handles

1. Insert lower handles into deck (A1)
2. Push handle firmly down until the handle collar is located securely into the deck (A2).
3. Insert screws into holes and using a pozidrive screwdriver tighten fully into deck (A2).

### Handle Adjusters fitted to product (B)

1. Adjust handle assembly to the most comfortable operating position and tighten handle adjuster knob (B) on both sides of the product.

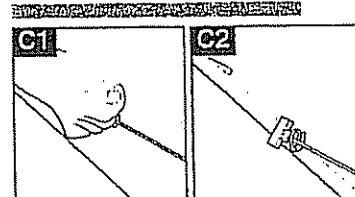
### Brake Cable



### To insert the Brake Cable

1. Insert cable into hole in Operator Presence Control lever from the inside of the lever. (D1).
2. Lock into position. (D2)
3. Fit the cables to the handles with the cable ties provided, making sure the cables are not trapped between the handles.

### Recoil Starter



### Recoil Starter

1. Disconnect the spark plug lead.
2. Pull the Operator Presence Control lever to release the brake on the engine.
3. Extend the pull cord fully (C1).
4. Locate the cord in the pull cord guide positioned on handle (C2).

4



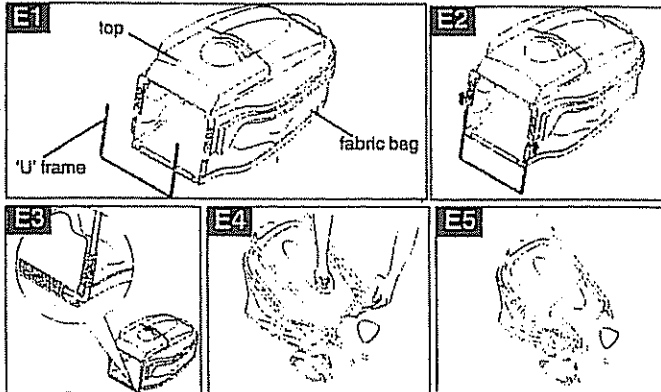
## ASSEMBLY INSTRUCTIONS

### Warning

- Do not operate mower unless bag is properly installed.
- Do not remove bag while blade is moving.
- During normal use the bag is subject to wear and deterioration.
- Check bag frequently for any damage.
- Replace only with a SEARS approved part.

### Grass Bag Assembly

1. Insert 'U' frame into top (E2).
  2. Attach 'U' frame to fabric bag (E3).
  3. Locate fully assembled grassbox onto 2 location points at the rear of the deck (E4).
  4. Locate safety flap onto the top of the grass bag. Ensure the grass bag is securely located. (E5)
- Removal is the reverse procedure



## OIL - GASOLINE

### BEFORE STARTING ENGINE

#### OIL

Your lawn mower is shipped without oil in the engine.

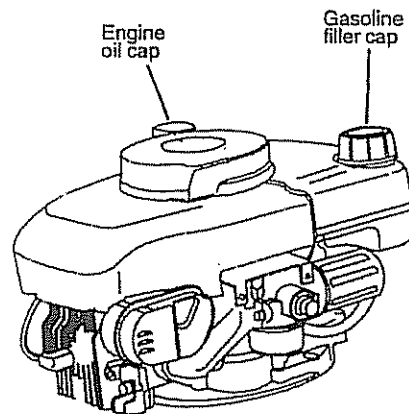
- Be sure mower is level and area around oil fill is clean.
- Remove engine oil cap and fill to the full line on the dipstick.
- Use 20ozs. of oil. For type and grade of oil to use, see "Engine Lubrication" in Maintenance section of this manual.
- Pour oil slowly. Do not over fill.
- Check oil level before each use. Add oil if needed. Fill to full line on dipstick.
- To read proper level, tighten engine oil cap each time.
- Reinstall engine oil cap and tighten.
- Change the oil after every 25 hours of operation or each season. You may need to change the oil more often under dusty, dirty conditions.

#### GASOLINE

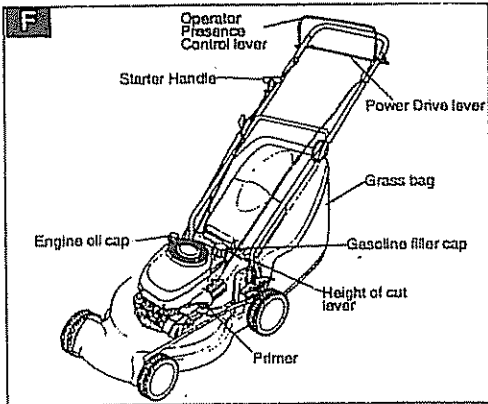
- Fill fuel tank. Use fresh, clean, regular unleaded gasoline with a minimum of 87 octane. Do not mix oil with gasoline. Purchase fuel in quantities that can be used within 30 days to assure fuel freshness.

#### WARNING

Experience indicates that alcohol blended fuels (called gasohol or using ethanol or methanol) can attract moisture which leads to separation and formation of acids during storage. Acidic gas can damage the fuel system of an engine while in storage. To avoid engine problems, the fuel system should be emptied before storage of 30 days or longer. Drain the fuel tank, start the engine and let it run until fuel lines and carburetor are empty. Use fresh fuel next season. See Storage Instructions for additional information. Never use engine or carburetor cleaner products in fuel tank or permanent damage may occur.



## OPERATION



### MEETS CPSC SAFETY REQUIREMENTS

Sears rotary walk-behind power lawn mowers conform to the safety standards of the American National Standards Institute and the U.S. Consumer Product Safety Commission. The blade turns when the engine is running.

**Operator Presence Control Lever** - must be held down to the handle to start the engine. Release to stop the engine.

**Primer** - pumps additional fuel from the carburetor to the cylinder for use when starting a cold engine.

**Starter handle** - used for starting the engine.

**Power Drive lever** - Forward drive is engaged and disengaged with the Powerdrive lever at the top of the handle

The operation of any lawn mower can result in foreign objects thrown into the eyes, which can result in severe eye damage. Always wear safety glasses or eye shields while operating your lawn mower or performing any adjustments or repairs. We recommend a wide vision safety mask over spectacles or standard safety glasses.

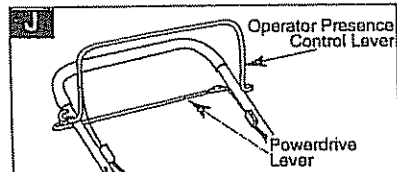
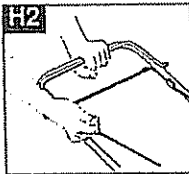
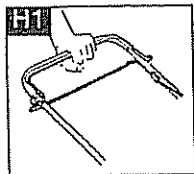
### ENGINE SPEED CONTROL

The engine speed was set at the factory for optimum performance. Speed is not adjustable.

### ENGINE ZONE CONTROL

**CAUTION:** Federal regulations require an engine control to be installed on this lawn mower in order to minimize the risk of blade contact injury. Do not under any circumstances attempt to defeat the function of the operator control. The blade turns when the engine is running.

### Starting and Stopping



6

- 1 When starting a cold engine, push primer bulb (G) firmly five times, allowing primer bulb to return completely to original position between pushes. Repeat the above for each starter operation as necessary.

**NOTE: DO NOT USE PRIMER TO RESTART WARM ENGINE AFTER A SHORT SHUTDOWN.**

2. Connect the spark plug lead.
3. Pull the Operator Presence Control lever to the handle (H1), this releases the brake.
4. Grasp starter handle and pull rope out slowly until you feel drag (H2). Let rope rewind slowly. Pull with rapid, full arm stroke. Return rope slowly to original position.
5. Forward drive is engaged and disengaged with the Powerdrive lever underneath the handle (J).
6. Releasing the Powerdrive Lever stops the forward drive automatically.

**To stop your lawn mower** - release the Powerdrive lever, then Operator Presence Control lever.



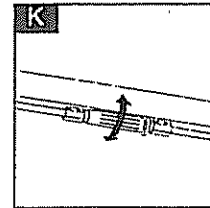
## OPERATION

### Power Drive Cable

1. If the drive does not engage when the powerdrive lever is pulled towards the handle, screw adjuster counter-clockwise (K) whilst in operators position.
2. Screw adjuster in opposite direction if the powerdrive does not disengage with the powerdrive lever free (K).

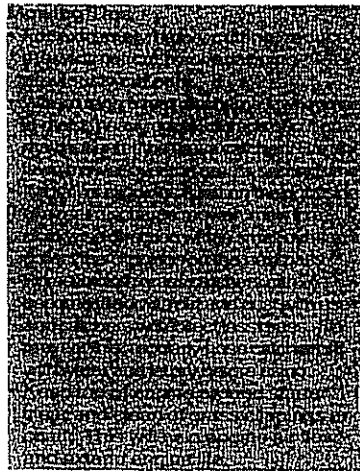


### PowerDrive Cable

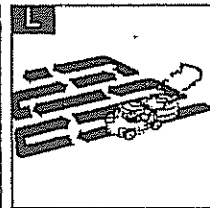


### How to Mow

1. Start mowing from the outside edge of the lawn, mowing in strips in alternate directions (L).
2. Mow twice a week in the growing season, your lawn will suffer if more than one third of its length is cut at one time and this may also result in poor collection.



### How to Mow



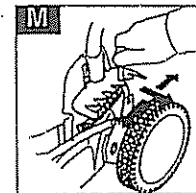
### Please Note:-

**Do not overload your Lawn mower**  
When mowing in long thick grass a first cut with the cutting height adjusted to its highest setting, see **Cutting Height**, will help reduce motor overload and will help prevent damage to your lawn mower.

### Cutting Height

- Raise wheels for low cut and lower wheels for high cut.
- Adjust cutting height to suit your requirements. Medium position is best for most lawns.
- The height of cut is changed by pulling the adjustment lever away from the location slots and moving to the desired position (M).

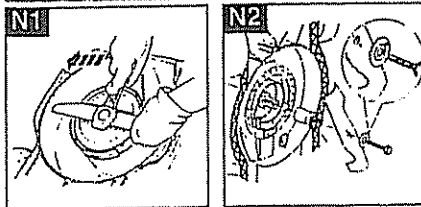
### Cutting Height



## MAINTENANCE



### Cutting System



#### Removing the Blade

- Always observe safety rules when performing any maintenance.
1. Disconnect spark plug wire from spark plug and place wire where it cannot come in contact with spark plug.
  2. Turn lawn mower on its side. Make sure air filter and carburetor are up.
  3. Use a wrench to loosen blade bolt by turning counter-clockwise (N1).
  4. Remove the blade bolt, blade and washer (N2).
  5. Inspect for damage and clean as necessary.

#### Replacing the Blade

1. Fit the blade to the machine with the sharp edges pointing away from the machine.
2. Re-fit the blade bolt through the washer ensuring that the side stamped with 'O' on the washer is facing away from the blade (N2).
3. Hold firmly and tighten blade bolt firmly with a wrench. Do not over tighten. The recommended tightening torque is 22-26 ft. lbs.

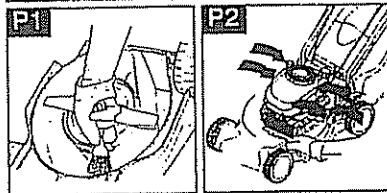
#### Cleaning

**IMPORTANT:** For best performance, keep mower housing free of built-up grass and trash. Clean underside of mower housing after each use.

**CAUTION:** Disconnect spark plug wire from spark plug and place wire where it cannot come in contact with the spark plug.

1. Turn lawn mower on its side. Make sure air filter and carburetor are up.
2. Remove grass from under the deck with a brush (P1).
3. Using a soft brush - remove grass clippings from all air intakes, the discharge chute and the grass bag (P2).
3. Wipe over the surface of your lawn mower with a dry cloth.

### Cleaning



### Product Specifications

MODEL NUMBER	See Product Rating Label
SERIAL NUMBER	
DATE OF PURCHASE	
HORSEPOWER:	5.0
DISPLACEMENT:	11.5 cu. in.
GASOLINE CAPACITY/ type:	1.25 quarts UNLEADED REGULAR
OIL TYPE (API-SF/SG/SH):	SAE 30 (above 32°F) SAE 5W-30 (below 32°F)
OIL CAPACITY:	20 ozs.
SPARK PLUG(GAP: .030")	Champion RJ19LM or J19LM
VALVE CLEARANCE:	INTAKE: .004 - .008 EXHAUST: .004 - .008
SOLID STATE IGNITION	
AIR GAP:	.0125 in.
BLADE BOLT TORQUE:	22-26 FT. LBS.
• The model and serial numbers will be found on a decal attached to the rear of the lawn mower housing. Record both serial number and date of purchase in space provided above.	





## MAINTENANCE

The warranty on this lawn mower does not cover items that have been subjected to operator abuse or negligence. To receive full value from the warranty, operator must maintain mower as instructed in this manual.

Some adjustments will need to be made periodically to properly maintain your unit. All adjustments in the Service and Adjustments section of this manual should be checked at least once each season.

- Once a year, replace the spark plug, replace air filter element and check blade for wear. A new spark plug and clean/new air filter element assures proper air-fuel mixture and helps your engine run better and last longer.

### BEFORE EACH USE

- Check engine oil level.
- Check for loose fasteners.

### LUBRICATION

Keep unit well lubricated (See "LUBRICATION CHART" (Q)).

**NOTE:** Although multi-viscosity oils (5W30, 10W30 etc.) improve starting in cold weather, these multi-viscosity oils will result in increased oil consumption when used above 32°F. Check your engine oil level more frequently to avoid possible engine damage from running low on oil.

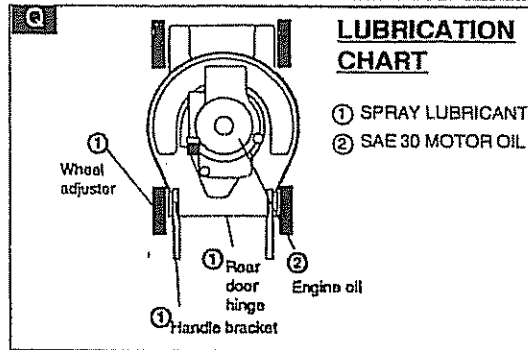
Change the oil after every 25 hours of operation or at least once a year if the lawn mower is not used for 25 hours in one year. Check the crankcase oil level before starting the engine and after each five (5) hours of continuous use. Tighten oil plug securely each time you check the oil level.

**NOTE:** Before tipping lawn mower to drain oil, drain fuel tank by running engine until fuel tank is empty.

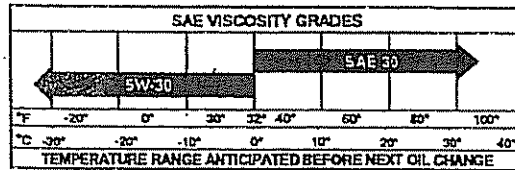
- Disconnect spark plug wire from spark plug and place wire where it cannot come in contact with spark plug.
- Remove engine oil cap; lay aside on a clean surface.
- Tip lawn mower on its side and drain oil into a suitable container. Rock lawn mower back and

Your carburetor has a non-adjustable fixed main jet for mixture control. If your engine does not operate properly due to suspected carburetor problems, take your lawn mower to an authorized service center for repair or adjustment.

## General Recommendations



## Engine Lubrication



## To Change Engine Oil

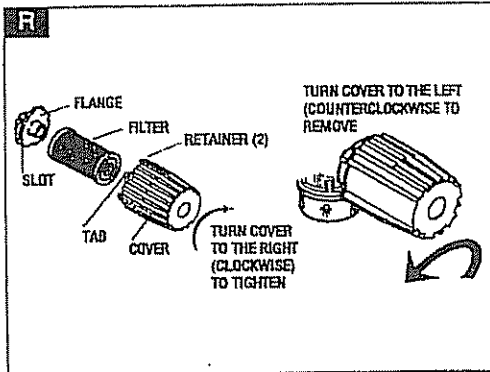
- Wipe off any spilled oil on lawn mower and on side of engine.
- Fill engine with oil. Fill only to the "FULL" line on the dipstick. DO NOT OVER FILL.
- Replace engine oil cap.
- Reconnect spark plug wire to spark plug.

## Engine Carburetor/Engine Speed

Your engine speed has been factory set. Do not attempt to increase engine speed or it may result in personal injury. If you believe that the engine is running too fast or too slow, take your lawn mower to an authorized service center for repair and adjustment.



### Air Filter, Muffler, Spark Plug



#### AIR FILTER (R)

Your engine will not run properly and may be damaged by using a dirty air filter. Replace the air filter every year, more often if you mow in very dusty, dirty conditions. Do not wash air filter.

1. Turn cover to the left (counterclockwise) and remove it and filter from flange. Discard filter.
2. Clean cover and flange thoroughly.
3. Insert new filter into cover.
4. Position cover and filter against flange with tab on cover inserted into lower left corner of slot in flange.
5. Push cover firmly against flange and turn it to the right (clockwise) as far as it will go. Be sure retainers are locked around flange.

#### MUFFLER

Inspect and replace corroded muffler as it could create a fire hazard and/or damage.

#### SPARK PLUG

Change your spark plug each year to make your engine start easier and run better. Set spark plug gap at .030 inch.

### Storage

Immediately prepare your lawn mower for storage at the end of the season or if the unit will not be used for 30 days or more.

#### LAWN MOWER

When lawn mower is to be stored for a period of time, clean it thoroughly, remove all dirt, grease, leaves, etc. Store in a clean, dry area.

- Clean entire lawn mower (See "Cleaning" in the Maintenance section of this manual).
- Lubricate as shown in the Maintenance section of this manual.
- Be sure that all nuts, bolts, screws, and pins are securely fastened. Inspect moving parts for damage, breakage and wear. Replace if necessary.
- Touch up all rusted or chipped paint surfaces; sand lightly before painting.

#### ENGINE

##### FUEL SYSTEM

**IMPORTANT:** It is important to prevent gum deposits from forming in essential fuel system parts such as carburetor, fuel filter, fuel hose, or tank during storage. Also, experience indicates that alcohol blended fuels (called gasohol or using ethanol or methanol) can attract moisture which leads to separation and formation of acids during storage. Acidic gas can damage the fuel system of an engine while in storage.

- Drain the fuel tank.
- Start the engine and let it run until the fuel lines and carburetor are empty.
- Never use engine or carburetor cleaner products in the fuel tank or permanent damage may occur.
- Use fresh fuel next season.

**NOTE:** Fuel stabilizer is an acceptable alternative

in minimizing the formation of fuel gum deposits during storage. Add stabilizer to gasoline in fuel tank or storage container. Always follow the mix ratio found on stabilizer container. Run engine at least 10 minutes after adding stabilizer to allow the stabilizer to reach the carburetor. Do not drain the gas tank and carburetor if using fuel stabilizer.

#### ENGINE OIL

Drain oil (with engine warm) and replace with clean engine oil. (See "To Change Engine Oil" in the Maintenance section of this manual).

#### CYLINDER

- Remove spark plug.
- Pour one ounce (29 ml) of oil through spark plug hole into cylinder.
- Pull starter handle slowly a few times to distribute oil.
- Replace with new spark plug.

#### OTHER

- Do not store gasoline from one season to another.
- Replace your gasoline can if your can starts to rust. Rust and/or dirt in your gasoline will cause problems.
- If possible, store your unit indoors and cover it to give protection from dust and dirt.
- Cover your unit with a suitable protective cover that does not retain moisture. Do not use plastic. Plastic cannot breathe which allows condensation to form and will cause your unit to rust.

**IMPORTANT:** Never cover mower while engine and exhaust areas are still warm.

**CAUTION:** Never store the lawn mower with gasoline in the tank inside a building where fumes may reach an open flame or spark. Allow the engine to cool before storing in any enclosure.



## MAINTENANCE

### Trouble Shooting

PROBLEM	CAUSE	CORRECTION
Will not start	<ul style="list-style-type: none"> <li>• Dirty air filter.</li> <li>• Out of fuel.</li> <li>• Stale fuel.</li> <li>• Water in fuel.</li> <li>• Spark plug wire is disconnected.</li> <li>• Bad spark plug.</li> <li>• Loose blade or broken blade adapter.</li> <li>• Operator Presence Control Lever in released position</li> <li>• Operator Presence Control Lever defective</li> </ul>	<ul style="list-style-type: none"> <li>• Clean/replace air filter.</li> <li>• Fill fuel tank.</li> <li>• Drain tank and refill with fresh clean fuel.</li> <li>• Drain fuel tank and carburetor and refill tank with fresh gasoline.</li> <li>• Connect wire to plug.</li> <li>• Replace spark plug.</li> <li>• Tighten blade bolt or replace blade adapter.</li> <li>• Pull Operator Presence Control lever to handle.</li> <li>• Replace Operator Presence Control Lever.</li> </ul>
Loss of power	<ul style="list-style-type: none"> <li>• Rear of lawn mower housing/ blade dragging in heavy grass.</li> <li>• Cutting too much grass.</li> <li>• Dirty air filter.</li> <li>• Build up of grass, leaves and trash under mower.</li> <li>• Too much oil in engine.</li> </ul>	<ul style="list-style-type: none"> <li>• Raise cutting height</li> <li>• Raise cutting height</li> <li>• Clean/replace air filter.</li> <li>• Clean underside of mower housing.</li> <li>• Check oil level.</li> </ul>
Poor cut - uneven	<ul style="list-style-type: none"> <li>• Worn, bent or loose blade.</li> <li>• Wheel heights uneven.</li> <li>• Build up of grass, leaves and trash under mower.</li> </ul>	<ul style="list-style-type: none"> <li>• Replace blade. Tighten blade bolt.</li> <li>• Set all wheels at same height.</li> <li>• Clean underside of mower housing</li> </ul>
Excessive vibration	<ul style="list-style-type: none"> <li>• Worn, bent or loose blade.</li> <li>• Bent engine crankshaft</li> </ul>	<ul style="list-style-type: none"> <li>• Replace blade. Tighten blade bolt.</li> <li>• Contact an authorized service center/department</li> </ul>
Starter rope hard to pull	<ul style="list-style-type: none"> <li>• Engine flywheel brake is on when Operator Presence Control lever is released.</li> <li>• Bent engine crankshaft</li> <li>• Blade adapter broken.</li> <li>• Blade dragging in grass.</li> </ul>	<ul style="list-style-type: none"> <li>• Depress control bar to upper handle before pulling starter rope.</li> <li>• Contact an authorized service center/department</li> <li>• Replace blade adapter.</li> <li>• Move lawn mower to cut grass or to hard surface to start engine.</li> </ul>
Loss of drive (Self-Propelled Mowing)	<ul style="list-style-type: none"> <li>• Drive wheels not turning with power drive engaged.</li> <li>• Belt not driving.</li> </ul>	<ul style="list-style-type: none"> <li>• Adjust or replace drive control cable, if broken.</li> <li>• Put belt on pulleys or replace belts if broken.</li> </ul>
Grass bag not filling	<ul style="list-style-type: none"> <li>• Cutting height too low.</li> <li>• Lift on blade worn off.</li> <li>• Grass bag not venting air.</li> </ul>	<ul style="list-style-type: none"> <li>• Raise cutting height.</li> <li>• Replace blade.</li> <li>• Clean grass bag.</li> </ul>
Hard to push	<ul style="list-style-type: none"> <li>• Grass is too high or wheel height is too low.</li> <li>• Rear of lawn mower housing/ blade dragging in grass.</li> <li>• Grass bag too full.</li> <li>• Handle height position not right for you.</li> </ul>	<ul style="list-style-type: none"> <li>• Raise cutting height.</li> <li>• Raise cutting height.</li> <li>• Empty grass bag.</li> <li>• Adjust handle height to suit.</li> </ul>





## Free Manuals Download Website

<http://myh66.com>

<http://usermanuals.us>

<http://www.somanuals.com>

<http://www.4manuals.cc>

<http://www.manual-lib.com>

<http://www.404manual.com>

<http://www.luxmanual.com>

<http://aubethermostatmanual.com>

Golf course search by state

<http://golfingnear.com>

Email search by domain

<http://emailbydomain.com>

Auto manuals search

<http://auto.somanuals.com>

TV manuals search

<http://tv.somanuals.com>