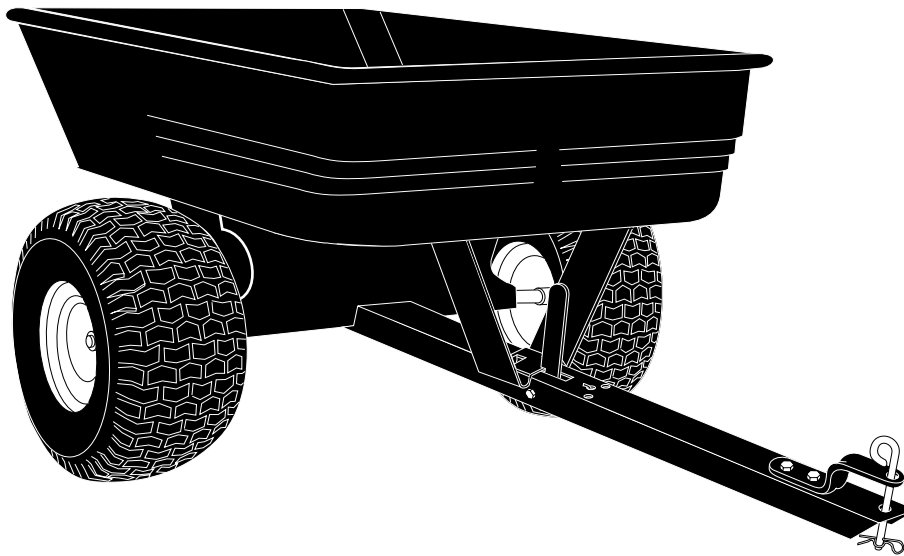


## Owner's Manual

# CRAFTSMAN®

## POLY "10" ATV CART

Model No. 486.24339



### CAUTION:

Before using this product, read this manual and follow all Safety Rules and Operating Instructions.

- Safety
- Assembly
- Operation
- Maintenance
- Parts

### IMPORTANT - READ THIS FIRST!!!

For Missing Parts or Assembly Questions

Please Call 217-728-8388

Mon.-Fri. 7 am - 5 pm CST.

FAX 217-728-2032 or e-mail [info@agri-fab.com](mailto:info@agri-fab.com)

Missing parts will be sent UPS in 24 hours directly to your home.

Sears, Roebuck and Co., Hoffman Estates, IL 60179 U.S.A.

[www.sears.com/craftsman](http://www.sears.com/craftsman)

PRINTED IN U.S.A.

FORM NO. 48228 (REV. 8/01)

# TABLE OF CONTENTS

SAFETY RULES .....	2	STORAGE .....	7
FULL SIZE HARDWARE CHART .....	3	REPAIR PARTS ILLUSTRATION .....	8
CARTON CONTENTS .....	4	REPAIR PARTS LIST .....	9
ASSEMBLY .....	4	SLOPE GUIDE .....	11
OPERATION .....	7	PARTS ORDERING/SERVICE .....	Back Page
MAINTENANCE .....	7		

## WARRANTY

### LIMITED ONE YEAR WARRANTY ON CRAFTSMAN POLY "10" ATV CART

For one year from the date of purchase, when this cart is maintained and lubricated according to the operating and maintenance instructions in the owner's manual, Sears will repair any defect in material or workmanship free of charge. If this cart is used for commercial or rental purposes, this warranty applies for only 90 days from the date of purchase.

This warranty does not cover repairs necessary because of operator negligence or abuse, including the failure to maintain the equipment according to instructions contained in the owner's manual.

WARRANTY SERVICE IS AVAILABLE BY CONTACTING THE NEAREST SEARS SERVICE CENTER/DEPARTMENT IN THE UNITED STATES.

This warranty applies only while this product is in the United States.

This warranty gives you specific legal rights, and you may also have other rights which vary from state to state. Sears, Roebuck and Co. D/817 WA. Hoffman Estates, Chicago, IL 60179



## SAFETY



Any power equipment can cause injury if operated improperly or if the user does not understand how to operate the equipment. Exercise caution at all times, when using power equipment.

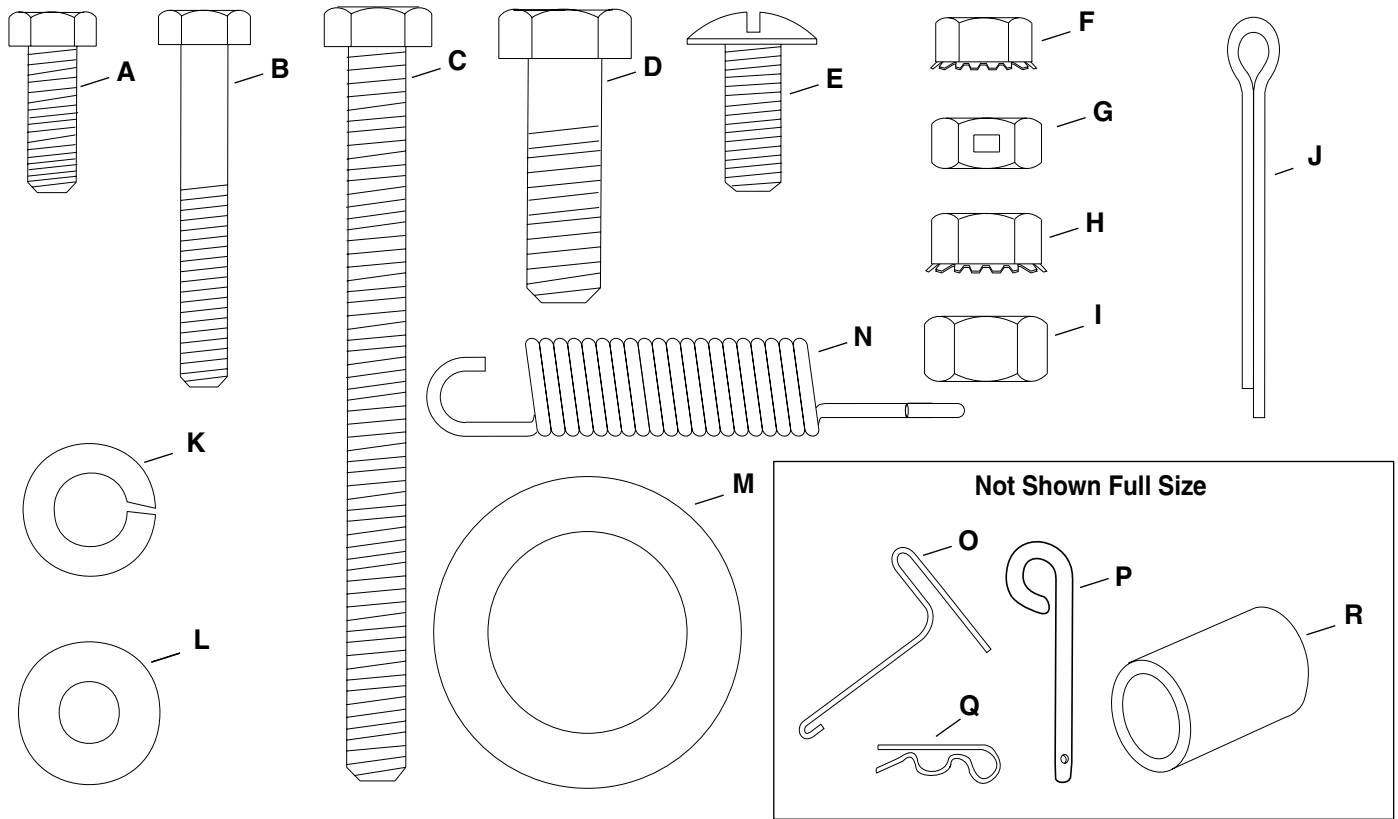
- Read this owners manual before attempting to assemble or operate the cart.
- Read the vehicle owners manual and know how to operate your vehicle before using the cart attachment.
- Do not at any time carry passengers in this cart. It has not been designed to carry passengers.
- Never allow children to operate the vehicle or the cart attachment.
- Do not allow adults to operate the vehicle or cart attachment without proper instructions.
- Always begin with the transmission in first (low) and gradually increase speed as conditions permit.
- Tow the cart at reduced speed over rough terrain and hillsides or near creeks and ditches to prevent tipping over and loss of control. Do not drive too close to a creek or ditch.
- Vehicle braking and stability may be affected with the attachment of this cart. Do not fill cart to maximum weight capacity without checking the capability of the towing vehicle to safely pull and stop with the cart attached.
- Before operating vehicle on any grade (hill) refer to the safety rules in the vehicle owner's manual concerning safe operation on slopes. Refer also to the slope guide on page 11 of this manual. **Stay off steep slopes!**
- Do not tow this cart on highways or on public thoroughfares.
- Maximum towing speed is 10 m.p.h.
- Follow maintenance and lubrication instructions as outlined in this manual.



Look for this symbol to point out important safety precautions. It mean--**Attention!! Become alert!! Your safety is involved.**

# HARDWARE PACKAGE CONTENTS

## HARDWARE SHOWN FULL SIZE



REF.	QTY.	DESCRIPTION	REF.	QTY.	DESCRIPTION
A	4	Hex Bolt, 1/4" x 3/4"	J	2	Cotter Pin, 1/8" x 1-1/2"
B	4	Hex Bolt, 1/4" x 1-3/4"	K	2	Lock Washer, 3/8"
C	1	Hex Bolt, 5/16" x 3-3/4"	L	4	Flat Washer, 1/4"
D	2	Hex Bolt, 3/8" x 1-1/4"	M	4	Flat Washer, 1"
E	8	Truss Head Bolt, 5/16" x 3/4"	N	1	Extension Spring
F	8	Hex Nut, 1/4"	O	1	Spring Puller
G	1	Hex Lock Nut, 5/16"	P	1	Hitch Pin
H	10	Hex Nut, 5/16"	Q	1	Hair Cotter Pin 1/8"
I	2	Hex Nut, 3/8"	R	2	Spacer Tube

The model number and serial numbers will be found on a decal attached to the wheel support.

You should record both the serial number and the date of purchase and keep in a safe place for future reference.

MODEL NUMBER: 486.24339

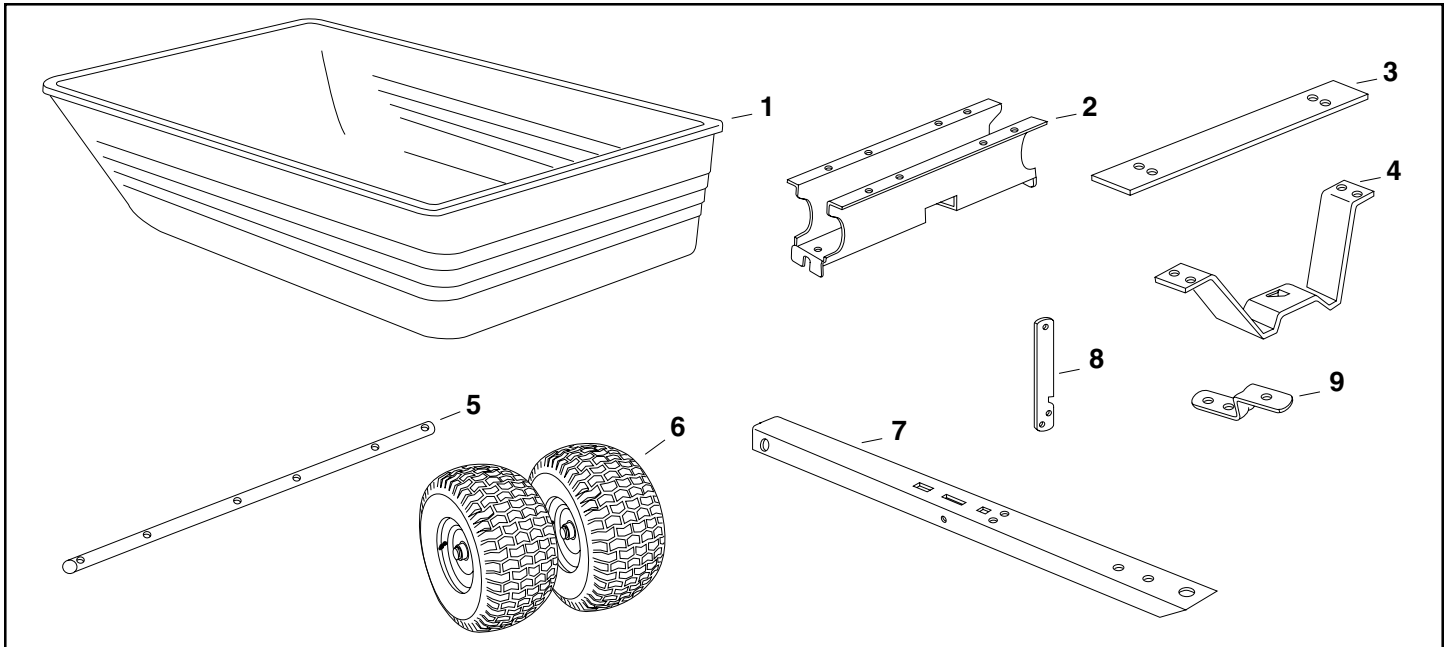
SERIAL NUMBER: \_\_\_\_\_

DATE OF PURCHASE: \_\_\_\_\_

# ASSEMBLY

## CARTON CONTENTS

- |                        |                    |                     |
|------------------------|--------------------|---------------------|
| 1. Poly Tray           | 5. Axle            | 8. Latch Lock Lever |
| 2. Wheel Support       | 6. Wheels (2)      | 9. Hitch Bracket    |
| 3. Latch Stand Plate   | 7. Draw Bar Tongue |                     |
| 4. Latch Stand Bracket |                    |                     |



## TOOLS REQUIRED FOR ASSEMBLY

- (1) Screwdriver
- (1) Pliers
- (2) 7/16" Wrenches
- (2) 1/2" Wrench
- (2) 9/16" Wrenches

- Remove the hardware pack and all loose parts from the carton. Be sure the carton is empty before discarding.
- Lay out and identify all the parts and hardware as shown on pages 3 and 4.
- Place the latch lock lever through the slot in the draw bar tongue as shown in figure 1. Assemble the 5/16" x 3-3/4" hex bolt through the tongue, the lever and two 5/16" hex nuts (one on each side of the lever). Assemble the 5/16" hex **lock** nut onto the end of the bolt and **tighten** so that the bolt can still rotate freely. **Tighten** the two 5/16" hex nuts against the sides of the latch lock lever so that the lever is centered in the slot. See figure 1.

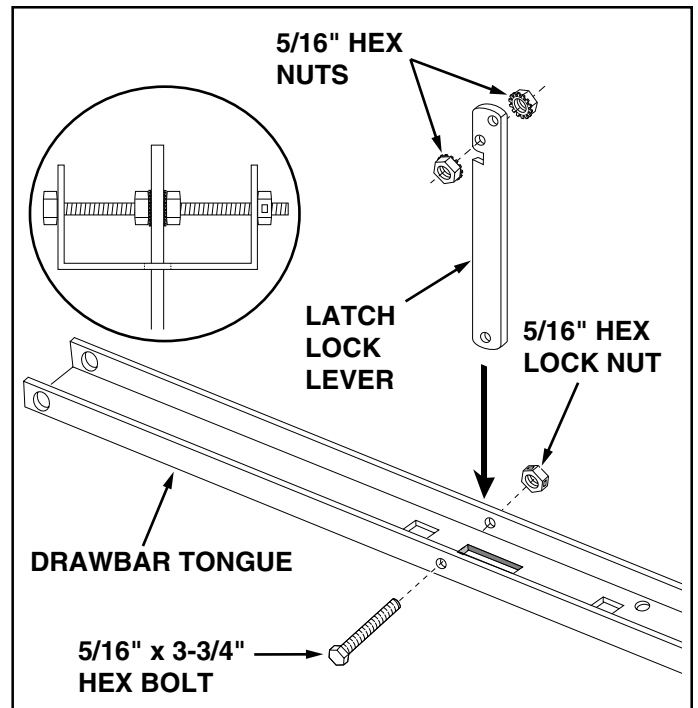


FIGURE 1

- Attach the **short** end of the spring to the hole in the latch lock lever. Use the spring puller to attach the **long** end of the spring to the square hole in the tongue. The hooked end of the puller should face away from the tongue as shown in figure 2.

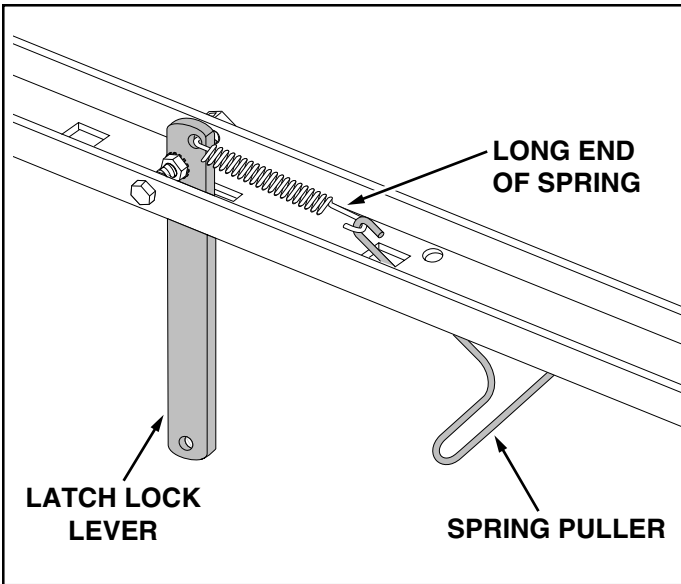


FIGURE 2

- Assemble the axle and drawbar tongue to the wheel support, with the open side of tongue facing away from the wheel support. Fasten the axle to the wheel support using four 1/4" x 1-3/4" hex bolts and 1/4" hex nuts. **Tighten.** See figure 4.

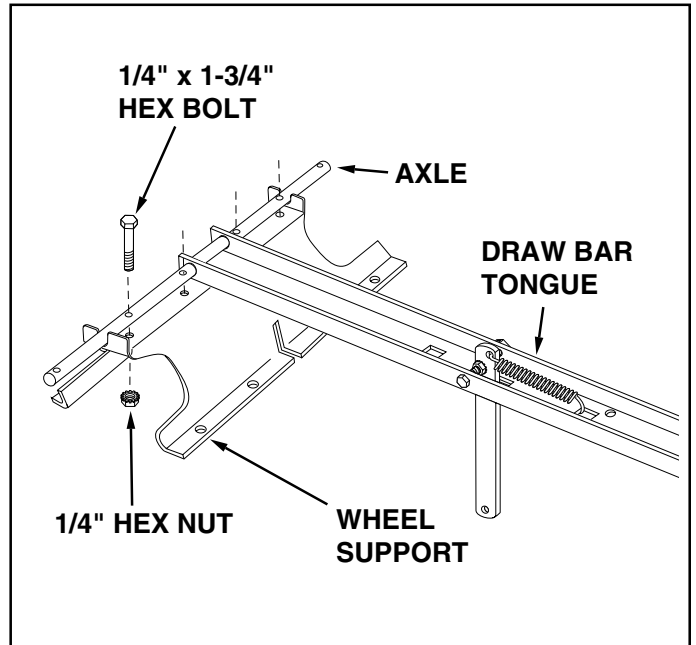


FIGURE 4

- Assemble the hitch bracket to the drawbar tongue using two 3/8" x 1-1/4" hex bolts, 3/8" lock washers and 3/8" hex nuts. **Tighten.** See figure 3.
- Assemble hitch pin to tongue/ hitch bracket and secure with 1/8" hair cotter pin. See figure 3.

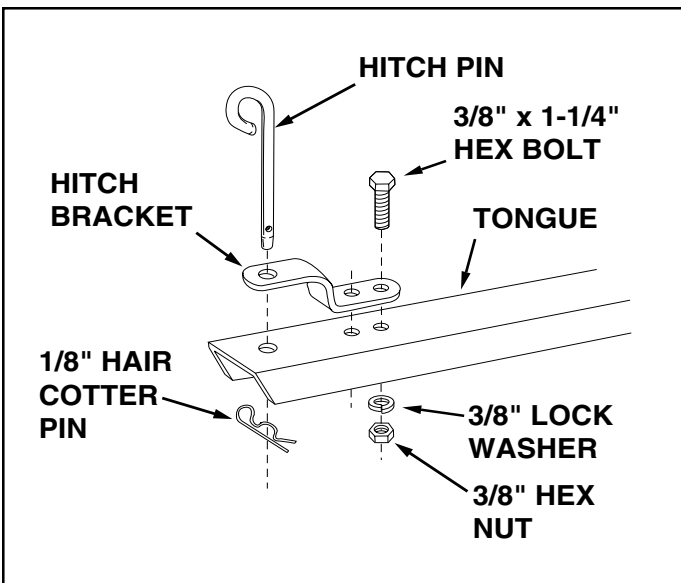


FIGURE 3

- Assemble a spacer tube, a 1" flat washer, a wheel (valve stem facing out) and another 1" flat washer onto the axle as shown in figure 5. Insert a cotter pin through the axle, spreading the ends. Repeat on other end of axle.

**NOTE:** Use the grease fitting to fill the wheel hub with automotive type grease after the wheel is assembled onto the axle.

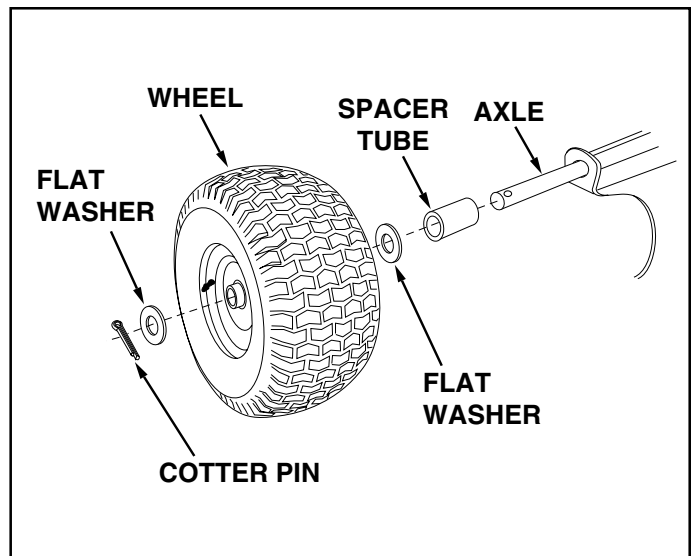
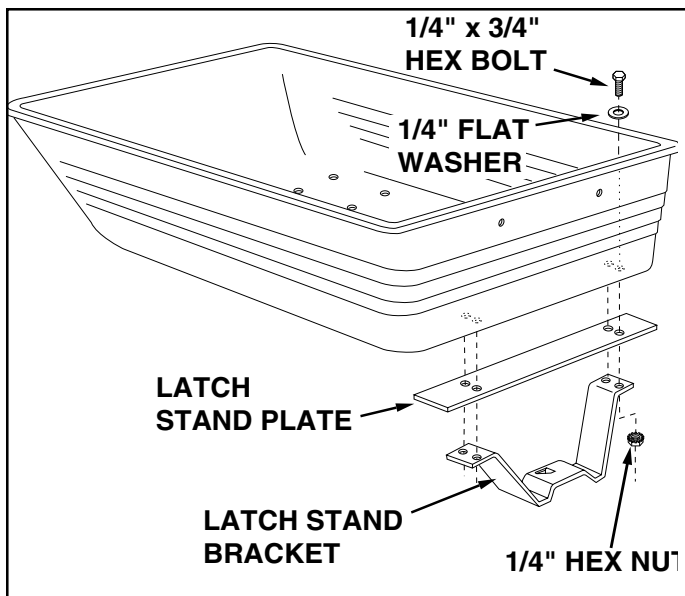


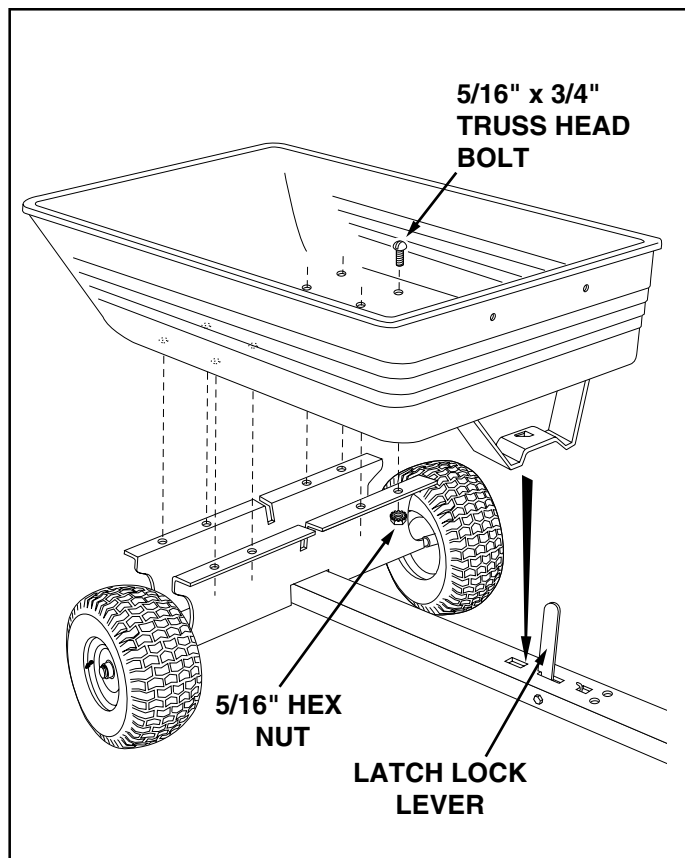
FIGURE 5

- Assemble the latch stand plate and the latch stand bracket to the bottom of the poly tray using four 1/4" x 3/4" hex bolts, 1/4" flat washers and 1/4" hex nuts. **Tighten.** See figure 6.



**FIGURE 6**

- Place the poly tray down onto the wheel support, positioning it so that the latch stand bracket snaps under the latch lock lever. Fasten the tray to the wheel support using eight 5/16" x 3/4" truss head bolts and 5/16" hex nuts as shown in figure 7. **Tighten.**



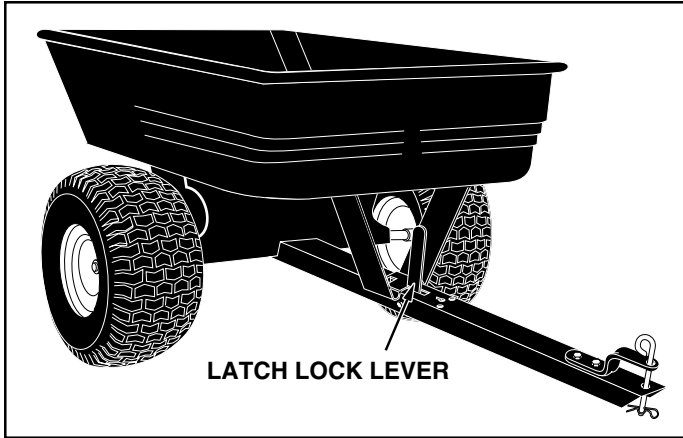
**FIGURE 7**

# OPERATION

## KNOW YOUR CART

Read this owner's manual and safety rules before operating your cart.

Compare the illustration below with your cart to familiarize yourself with the various controls and their locations.



**LATCH LOCK LEVER** Locks the front of the cart to the tongue and releases it for dumping.

## HOW TO USE YOUR

### DO NOT EXCEED WEIGHT CAPACITY OF CART

(See the specifications on this page.)

*One cubic foot of dirt weighs approximately 150 lbs.*

- Refer to the vehicle owners manual for instructions on safe operation on slopes.

- Use the slope guide provided on page 11 of this manual to determine whether slope angle is too steep for safe operation.



**CAUTION:** Vehicle braking and stability may be affected with the addition of an accessory or an attachment. Be aware of changing conditions on slopes.

- For best handling and traction, distribute the weight of the load evenly in the cart.
- Always test to make sure your vehicle has adequate towing and braking capabilities whenever hauling a substantial amount of weight in your cart. Use extra caution when operating on slopes.
- To dump material from the cart, release the spring latch on the tongue by pulling the latch lock lever forward, away from the cart. The cart bed will then tilt backwards to empty its contents. After emptying, pull the front of the bed down toward the cart tongue until the latch snaps into place.
- The maximum towing speed for this cart is 10 m.p.h.



**CAUTION:** To avoid possible injury, before releasing the latch be sure that no one is near the cart.

# MAINTENANCE/STORAGE

## CUSTOMER RESPONSIBILITIES

- Read and follow the maintenance schedule and the maintenance procedures listed in this section.

MAINTENANCE SCHEDULE Fill in dates as you complete regular service.	Service Dates											
	Before each use	After each use	Every season	Before storage								
Check for loose fasteners	X											
Check for worn or damaged parts	X											
Check tire pressure	X											
Lubricate			X									
Clean		X										

## SCHEDULED MAINTENANCE

- Before each use make a thorough visual check of the cart for any bolts and nuts which may have loosened. Retighten any loose bolts and nuts.
- Keep tires filled. The maximum recommended pressure is 10 lbs.
- Lubricate the latch lock assembly each season using a light machine oil.

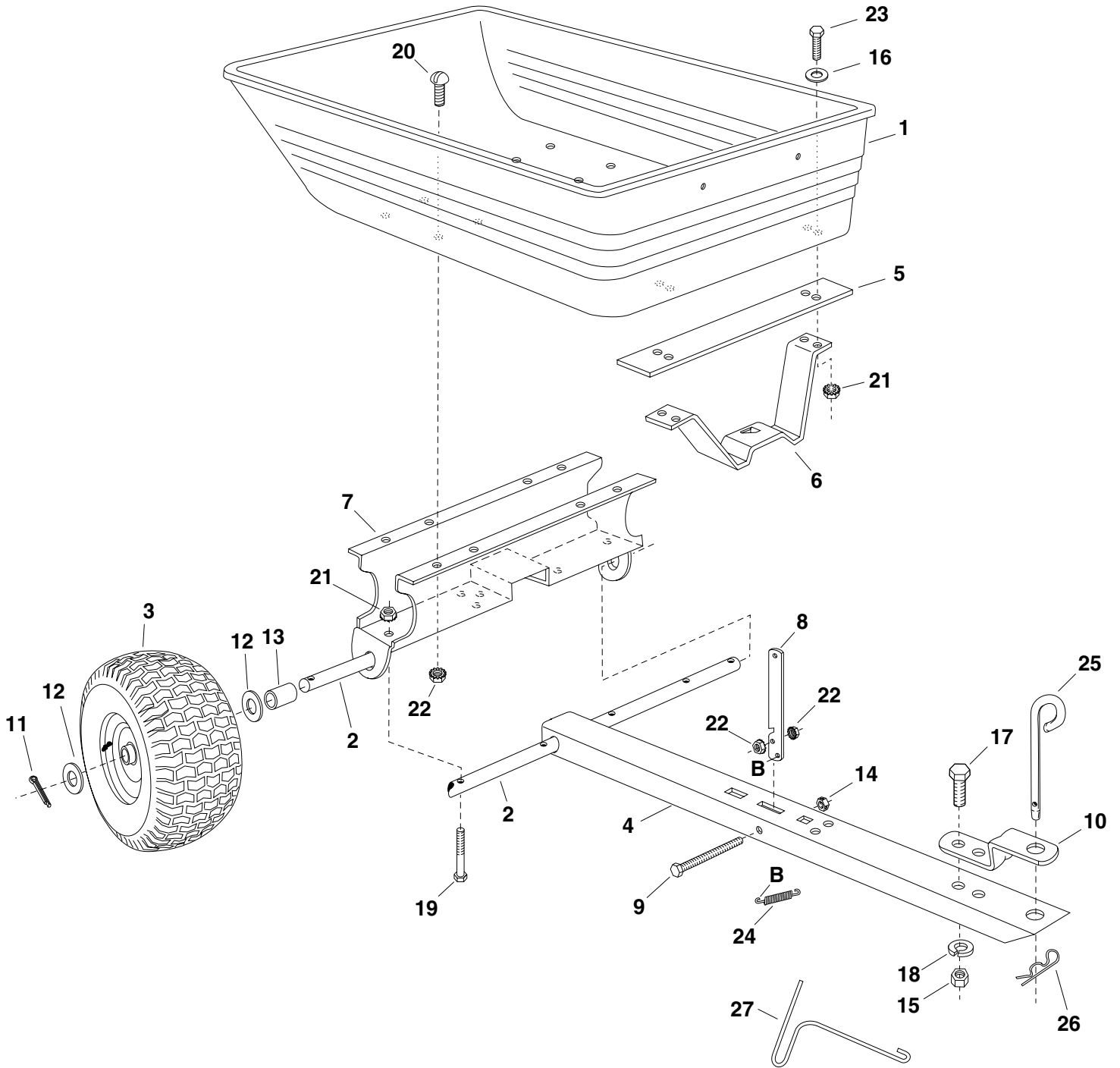
- Apply grease through the grease fittings to the wheel hubs each season.
- Wipe off or rinse the cart after each use.

## STORAGE

- Clean thoroughly before storing.
- Remove any rust from painted surfaces and coat with touch up paint.
- Store in a clean, dry area.

# PARTS

## REPAIR PARTS FOR MODEL 486.24339





## REPAIR PARTS FOR MODEL 486.24339

REF. NO.	PART NO.	QTY.	DESCRIPTION
1	47019	1	Poly Tray
2	24528	1	Axle, 1"
3	47049	2	Wheel
4	24758	1	Draw Bar Tongue
5	24386	1	Latch Stand Plate
6	24497	1	Latch Stand Bracket
7	24527	1	Wheel Support
8	24498	1	Latch Lock Lever
9	47407	1	Hex Bolt, 5/16-18 x 3-3/4"
10	23475	1	Hitch Bracket
11	43093	2	Cotter Pin, 1/8" x 1-1/2"
12	43601	4	Washer, Flat 1.59" O.D. x 1" I.D.
13	47453	2	Spacer Tube, 3-1/8" Lg.
14	43064	1	Hex Lock Nut, 5/16-18*
15	43015	2	Hex Nut, 3/8-16*
16	43088	4	Flat Washer, 1/4"
17	43087	2	Hex Bolt, 3/8-16 x 1-1/4" *
18	43003	2	Lock Washer, 3/8" *
19	1509-69	4	Hex Bolt, 1/4-20 x 1-3/4" *
20	43814	8	Truss Head Bolt, 5/16-18 x 3/4"
21	46978	8	Hex Nut, 1/4-20 (SEMS)
22	46980	10	Hex Nut, 5/16-18 (SEMS)
23	43012	4	Hex Bolt, 1/4-20 x 3/4" *
24	47408	1	Extension Spring
25	23353	1	Hitch Pin
26	43343	1	Hair Cotter Pin, 1/8"
27	47622	1	Spring Puller
	48228	1	Owner's Manual

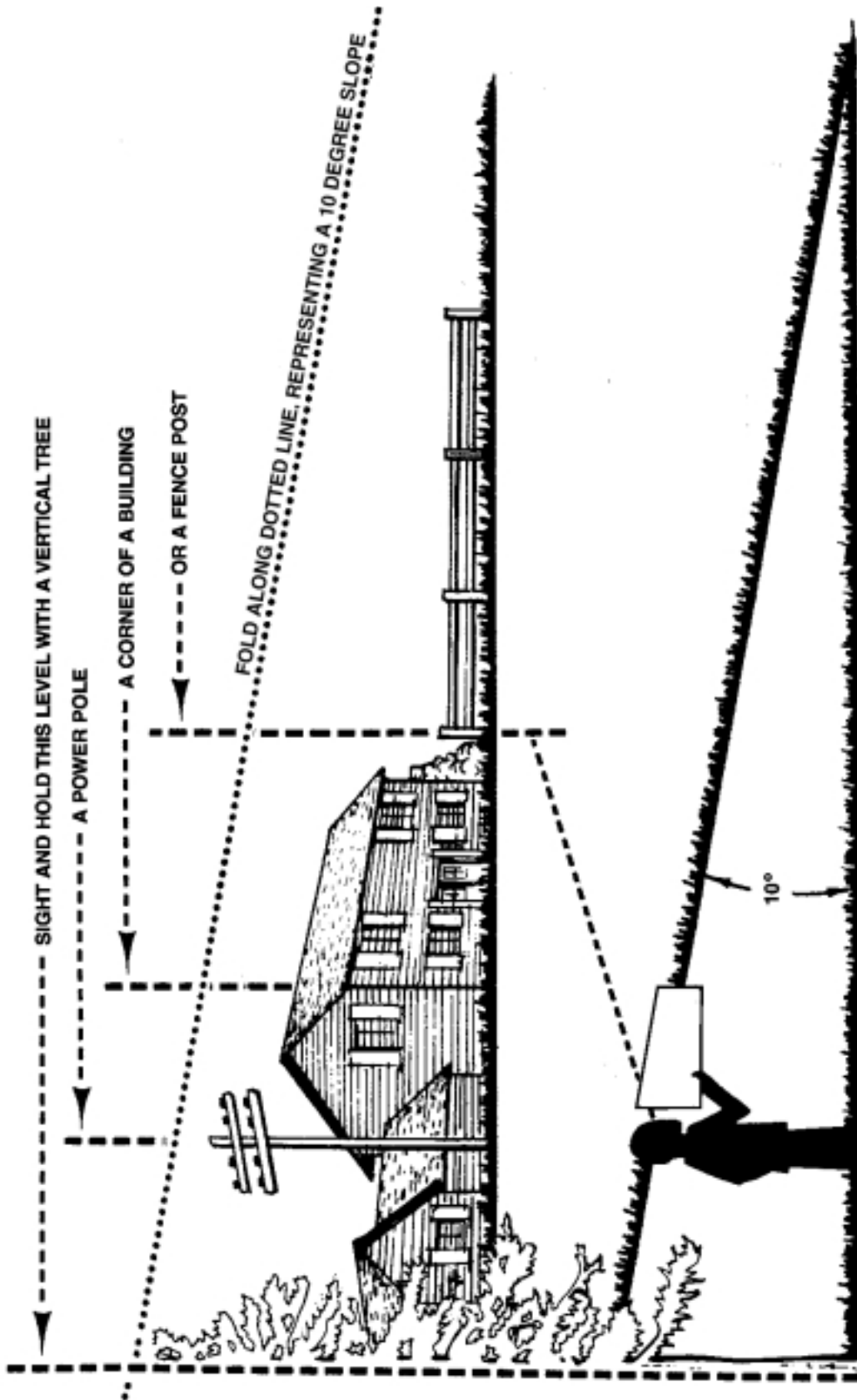
\* Purchase Common Hardware Locally

# NOTES

# SLOPE GUIDE

(Keep this sheet in a safe place for future reference.)

Use this guide to determine if a slope is safe for the operation of your tractor and cart. Refer also to the instructions in your vehicle owners manual.



**CAUTION: DO NOT OPERATE YOUR TRACTOR AND CART ON A SLOPE IN EXCESS OF 10 DEGREES. BE SURE OF YOUR TRACTOR'S TOWING AND BRAKING CAPABILITIES BEFORE OPERATING ON A SLOPE. AVOID ANY SUDDEN TURNS OR MANEUVERS WHILE ON A SLOPE.**



# Get it fixed, at your home or ours!

For repair of major brand appliances **in your own home...**  
no matter who made it, no matter who sold it!

**1-800-4-MY-HOME<sup>SM</sup>** Anytime, day or night  
(1-800-469-4663)

[www.sears.com](http://www.sears.com)

To bring in products such as vacuums, lawn equipment and electronics  
for repair, call for the location of your nearest **Sears Parts & Repair Center.**

**1-800-488-1222** Anytime, day or night

[www.sears.com](http://www.sears.com)

For the replacement parts, accessories and owner's manuals  
that you need to do-it-yourself, call **Sears PartsDirect<sup>SM</sup>!**

**1-800-366-PART** 6 a.m. – 11 p.m. CST,  
(1-800-366-7278) 7 days a week

[www.sears.com/partsdirect](http://www.sears.com/partsdirect)

To purchase or inquire about a Sears Service Agreement:

**1-800-827-6655**

7 a.m. – 5 p.m. CST, Mon. – Sat.

Para pedir servicio de reparación a domicilio,  
y para ordenar piezas con entrega a domicilio:

**1-888-SU-HOGAR<sup>SM</sup>**  
(1-888-784-6427)

Au Canada pour service en français:

**1-877-LE-FOYER<sup>SM</sup>**  
(1-877-533-6937)



## Free Manuals Download Website

<http://myh66.com>

<http://usermanuals.us>

<http://www.somanuals.com>

<http://www.4manuals.cc>

<http://www.manual-lib.com>

<http://www.404manual.com>

<http://www.luxmanual.com>

<http://aubethermostatmanual.com>

Golf course search by state

<http://golfingnear.com>

Email search by domain

<http://emailbydomain.com>

Auto manuals search

<http://auto.somanuals.com>

TV manuals search

<http://tv.somanuals.com>