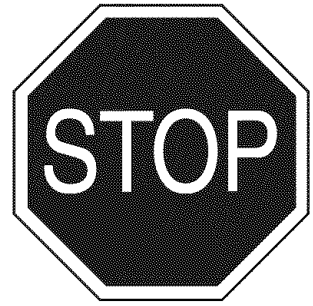


Owner's Manual

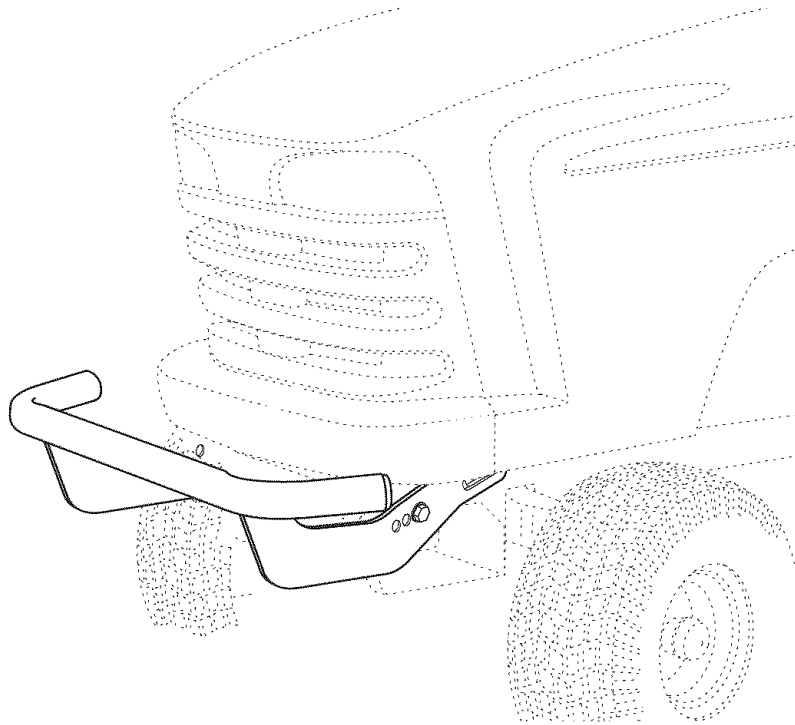


FRONT BUMPER

Model Nos. 486.245993, 486.24598

Fits 917 Series LT/YT/GT Tractors

DO NOT RETURN TO STORE
For Missing Parts or Assembly
Questions Call 1-866-576-8388



CAUTION:

Before using this product, read this manual and follow all Safety Rules and Operating Instructions.

- Safety
- Assembly
- Operation
- Maintenance
- Parts

Sears, Roebuck and Co., Hoffman Estates, IL 60179 U.S.A.
www.craftsman.com

WARRANTY

ONE YEAR LIMITED WARRANTY

When operated and maintained according to the instructions supplied with it, if this Tractor Brush Guard fails due to a defect in material or workmanship within one year from the date of purchase, call 1-800-4-MY-HOME® to arrange for free repair.

If this product is used for commercial or rental purposes, this warranty applies for only 90 days from the date of purchase.

This warranty gives you specific legal rights, and you may also have other rights which vary from state to state.

Sears, Roebuck and Co., D817WA, Hoffman Estates, IL 60179



SAFETY



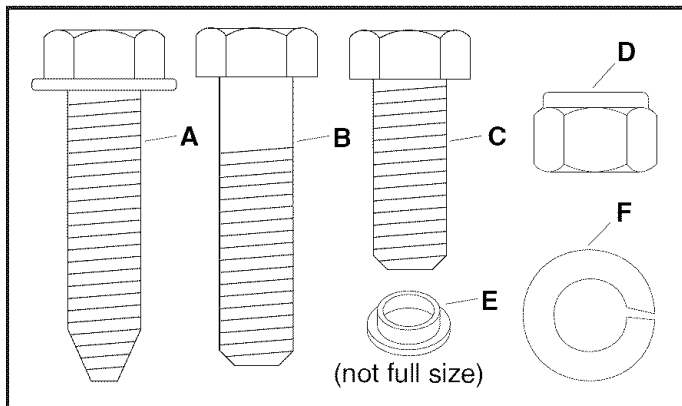
Any power equipment can cause injury if operated improperly or if the user does not understand how to operate the equipment. Exercise caution at all times, when using power equipment.

- Refer to your tractor owners manual for "**Rules For Safe Operation**".



Look for this symbol to point out important safety precautions. It means — **Attention!! Become alert!! Your safety is involved.**

HARDWARE - FULL SIZE



Ref. No.	Part No.	Qty.	Description
A	48894	2	Self Threading Bolt, 3/8-16 x 1-1/2"
B	43062	2	Hex Bolt, 3/8-16 x 1-1/2
C	43001	4	Hex Bolt, 3/8-16 x 1"
D	HA21362	4	Nylock Nut, 3/8-16
E	44742	2	Plug
F	43003	4	Lock Washer, 3/8"
	65932	1	Bumper

ASSEMBLY

TOOLS REQUIRED

(2) 9/16" Wrenches (Socket wrench may be used)

- Place cardboard or a mat on work surface to prevent scratching of parts removed from carton and tractor.
- Identify and lay out parts listed above. Not all hardware will be used. Unused parts may be discarded after assembly.

SINGLE ROD DECK SUSPENSION TRACTORS

IMPORTANT: If your tractor has a mower deck suspension bracket located under the middle of the front axle as shown in figure 1, continue with the instructions on page 3. If your tractor does not have a mower deck suspension bracket like the one shown go to page 4.

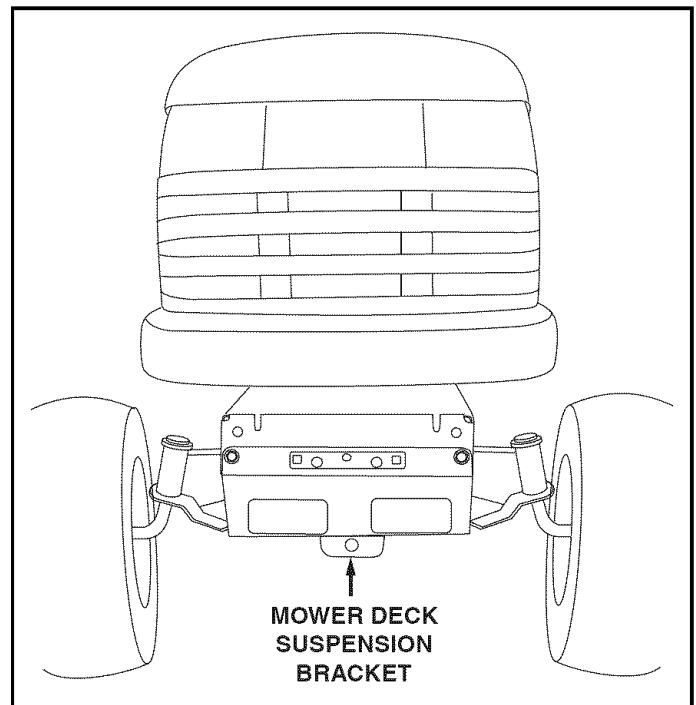


FIGURE 1 VIEWED FROM FRONT



CAUTION! Muffler is hot! Allow engine to cool down before proceeding with bumper installation.

STEP 1: (SEE FIGURE 2)

- Remove tractor hood. (Refer to tractor manual.)
- Remove the browning shield as shown below.

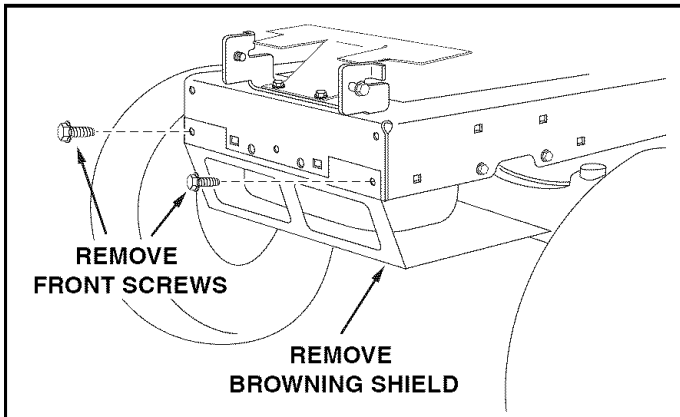


FIGURE 2

STEP 2: (SEE FIGURE 3)

- Insert a hex bolt (C) into the second mounting hole from the front of the tractor frame and fully tighten a hex nut (D) onto the bolt. Repeat on other side of tractor.

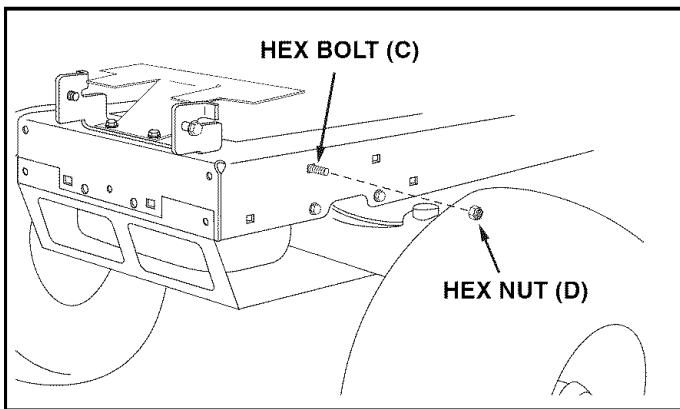


FIGURE 3

STEP 3: (SEE FIGURE 4)

- Place plug (E) on a work bench or solid table and push end of bumper down onto plug. Repeat for second plug.

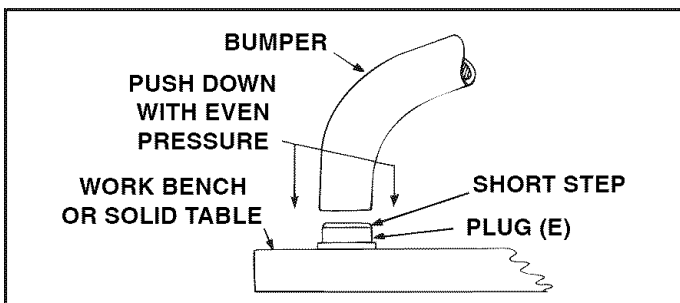


FIGURE 4

STEP 4: (SEE FIGURE 5)

- Spread ends of bumper enough to fit slots onto bolts in rear mounting holes in tractor frame.
- The bumper has three mounting holes. The rear hole provides the most clearance while the forward holes provide a neater appearance. Use a hole that provides enough clearance for hood to stay in raised position when opened. Insert a hex bolt (C) through tractor frame and into desired mounting hole on each side of bumper and secure with a hex nut (D).

IMPORTANT: Before fully tightening nuts, be sure tractor hood will stay in raised position when opened.

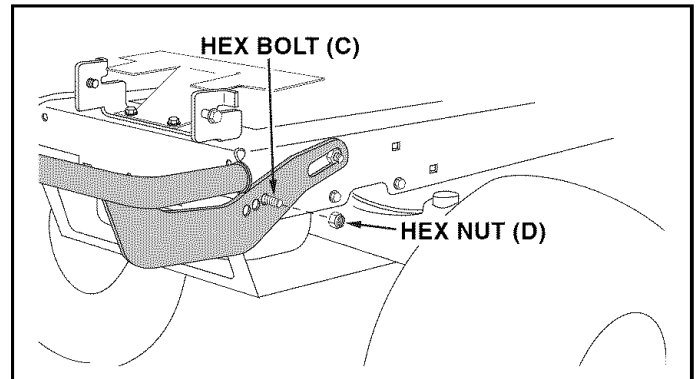


FIGURE 5

STEP 5: (SEE FIGURE 6)

- Replace the browning shield using the front screws you removed in Step 1.

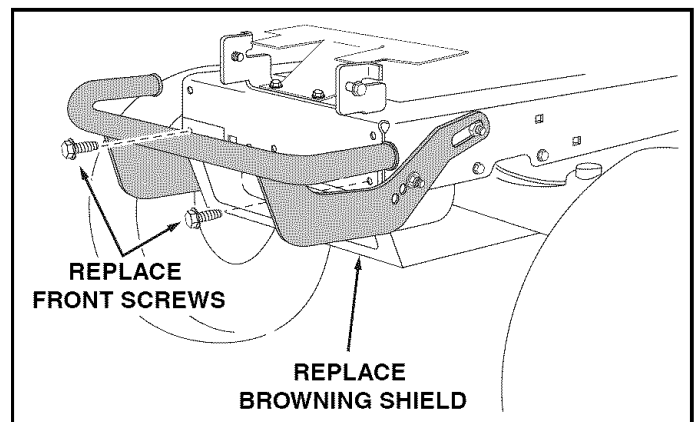


FIGURE 6

DUAL ROD DECK SUSPENSION TRACTORS

IMPORTANT: These instructions are for tractors with dual mower deck suspension brackets like the examples shown in figure 2 on this page.



CAUTION! Muffler is hot! Allow engine to cool down before proceeding with bumper installation.

STEP 1: (SEE FIGURE 1)

- Remove tractor hood. (Refer to tractor manual.)
- Remove an (LT) Lawn Tractor heat shield like the one shown. Remove a (GT) Garden Tractor heat shield like the one shown only if you need access to inside of tractor frame during step 2.

IMPORTANT: Be sure to re-attach the heat shield after bumper is installed.

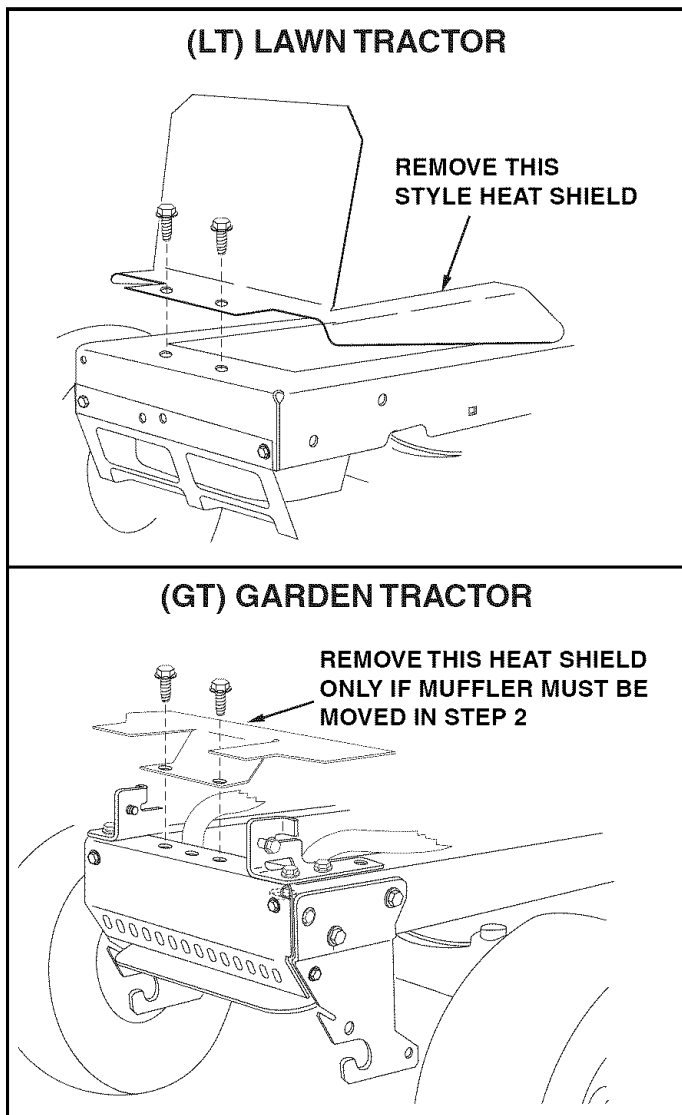


FIGURE 1

STEP 2: (SEE FIGURE 2)

- Remove any bolts present in **front** mounting holes in side of tractor frame. If bolt will not screw out of hole, check if a nut is present on bolt on inside of frame. On GT tractors, if access to nut is blocked by a front mounted muffler, slide muffler down exhaust tubes to rest on top of browning shield.

IMPORTANT: Be sure to re-attach muffler and heat shield after bumper is installed.

- If **rear** mounting holes in tractor frame are empty, install hex bolts (C) and hex nuts (D) supplied in parts bag. See figure 2.

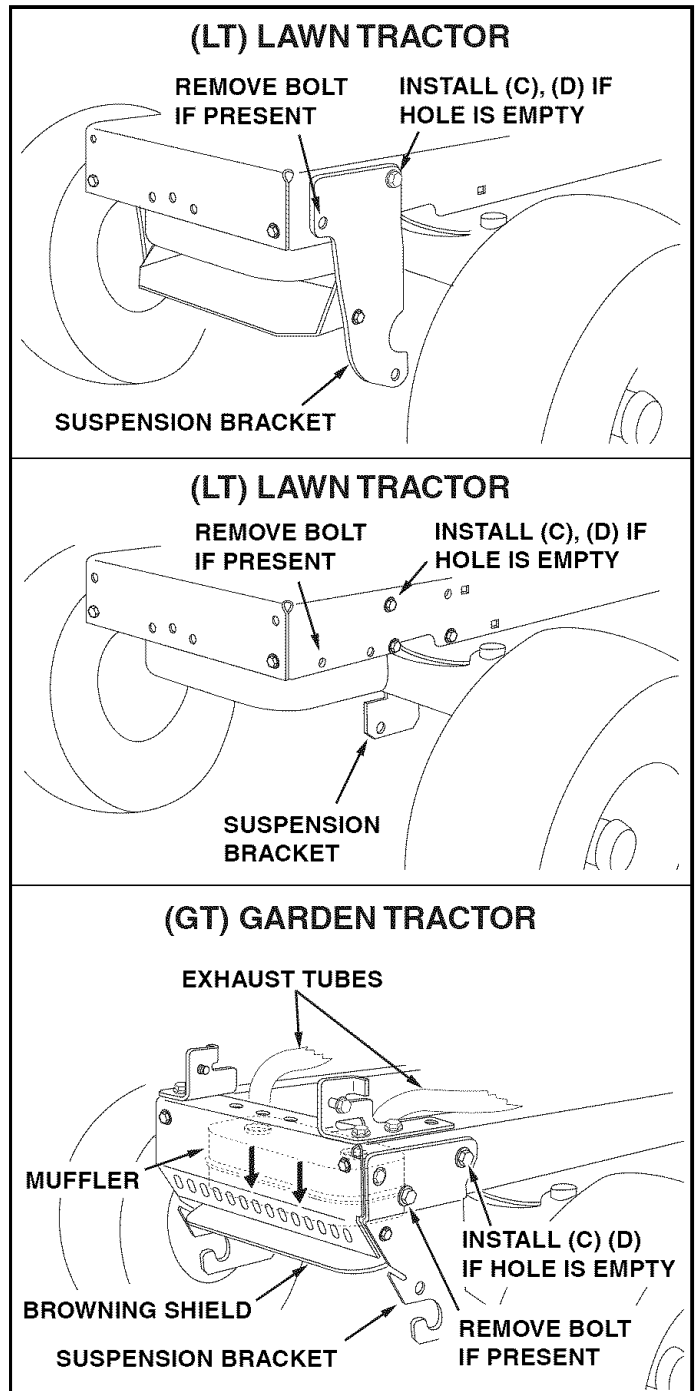


FIGURE 2

STEP 3: (SEE FIGURE 3)

- Place plug (E) on a work bench or solid table and push end of bumper down onto plug. Repeat for second plug. See figure 1.

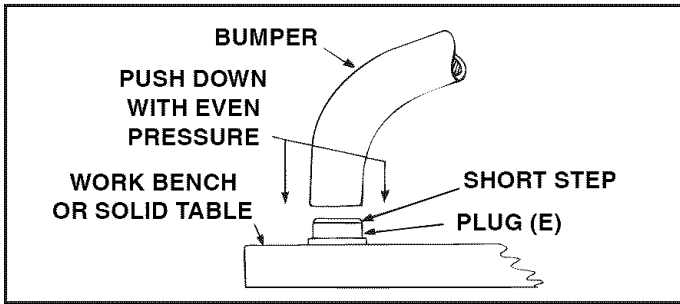


FIGURE 3

STEP 4: (SEE FIGURE 4)

- Spread ends of bumper enough to fit slots onto bolts in rear mounting holes in tractor frame.
- The bumper has three mounting holes. The rear hole provides the most clearance while the forward holes provide a neater appearance. Use a hole that provides enough clearance for hood to stay in raised position when opened. Attach the bumper using either standard hex bolts (B) and hex nuts (D) or self threading bolts (A) and lock washers (F). Use the self threading bolts (A) if standard hex bolts (B) do not insert freely into the hole in the tractor frame.

IMPORTANT: Before fully tightening bolts, be sure tractor hood will stay in raised position when opened.

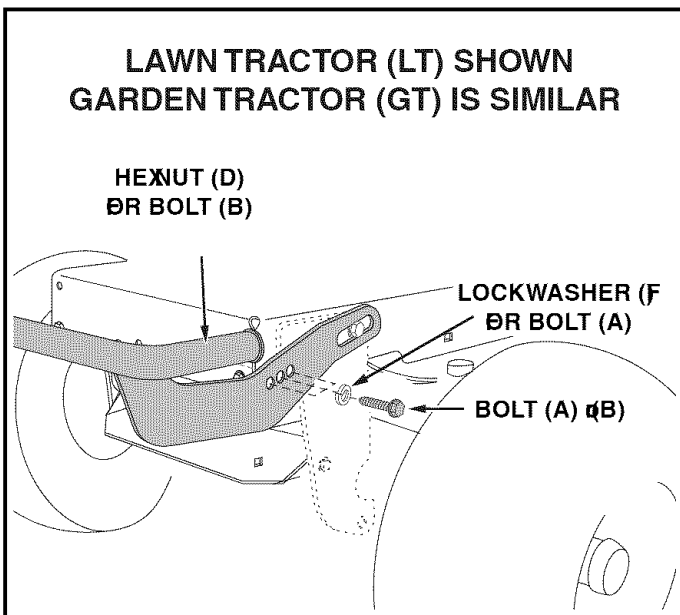


FIGURE 4

NOTES

NOTES

Get it fixed, at your home or ours!

Your Home

For repair – **in your home** – of **all** major brand appliances, lawn and garden equipment, or heating and cooling systems, **no matter who made it, no matter who sold it!**

For the replacement parts, accessories and owner's manuals that you need to do-it-yourself.

For Sears professional installation of home appliances and items like garage door openers and water heaters.

1-800-4-MY-HOME[®] (1-800-469-4663)

Call anytime, day or night (U.S.A. and Canada)

www.sears.com www.sears.ca

Our Home

For repair of carry-in items like vacuums, lawn equipment, and electronics, call or go on-line for the location of your nearest

Sears Parts & Repair Center.

1-800-488-1222

Call anytime, day or night (U.S.A. only)

www.sears.com

To purchase a protection agreement (U.S.A.) or maintenance agreement (Canada) on a product serviced by Sears:

1-800-827-6655 (U.S.A.)

1-800-361-6665 (Canada)

Para pedir servicio de reparación a domicilio, y para ordenar piezas:

1-888-SU-HOGAR[®]

(1-888-784-6427)

Au Canada pour service en français:

1-800-LE-FOYER^{MC}

(1-800-533-6937)

www.sears.ca



Free Manuals Download Website

<http://myh66.com>

<http://usermanuals.us>

<http://www.somanuals.com>

<http://www.4manuals.cc>

<http://www.manual-lib.com>

<http://www.404manual.com>

<http://www.luxmanual.com>

<http://aubethermostatmanual.com>

Golf course search by state

<http://golfingnear.com>

Email search by domain

<http://emailbydomain.com>

Auto manuals search

<http://auto.somanuals.com>

TV manuals search

<http://tv.somanuals.com>