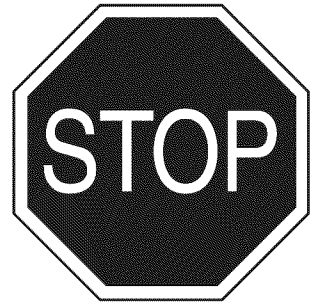


Owner's Manual

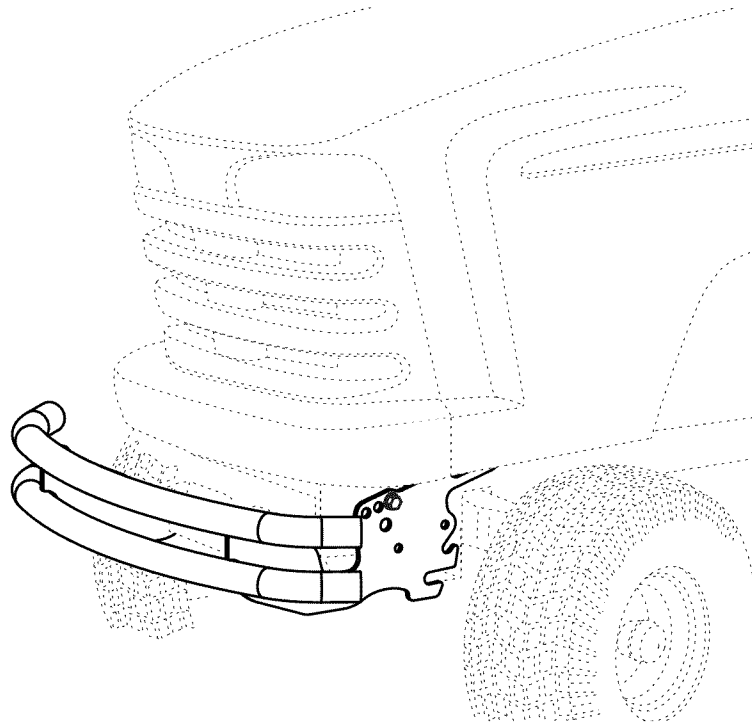


FRONT BUMPER

Model Nos. 486.24611, 486.24612

Fits 247 and 917 Series LT/GT Tractors

DO NOT RETURN TO STORE
For Missing Parts or Assembly
Questions Call 1-866-576-8388



CAUTION:

Before using this product, read this manual and follow all Safety Rules and Operating Instructions.

- Safety
- Assembly
- Operation
- Maintenance
- Parts

Sears Brands Management Corporation, Hoffman Estates, IL 60179 U.S.A.
www.craftsman.com

WARRANTY

CRAFTSMAN ONE-YEAR FULL WARRANTY

When assembled, operated and maintained according to the supplied instructions, if this product fails due to a defect in material or workmanship within one year from the date of purchase, return it to any Sears store or other Craftsman outlet in the United States for free replacement.

This warranty is void if this product is ever used for commercial or rental purposes.

This warranty gives you specific legal rights, and you may also have other rights which vary from state to state.

Sears, Roebuck and Co., Hoffman Estates, IL 60179



SAFETY



Any power equipment can cause injury if operated improperly or if the user does not understand how to operate the equipment. Exercise caution at all times when using power equipment.

- Refer to your tractor owners manual for "**Rules For Safe Operation**".



Look for this symbol to point out important safety precautions. It means — **Attention!! Become alert!! Your safety is involved.**

BEFORE YOU BEGIN

TOOLS REQUIRED

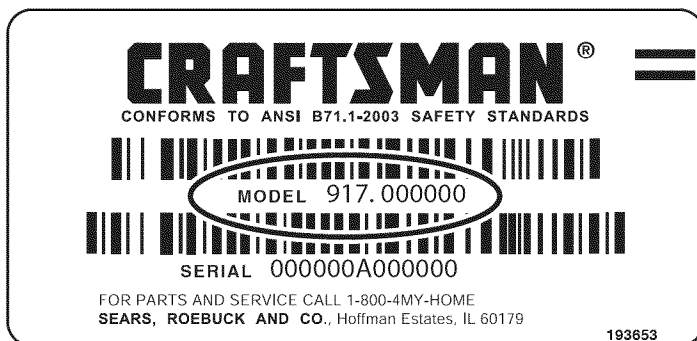
- (2) 9/16" Wrenches (Socket wrench may be used)
- (2) 1/2" Wrenches (Socket wrench may be used)
- (2) Adjustable wrenches



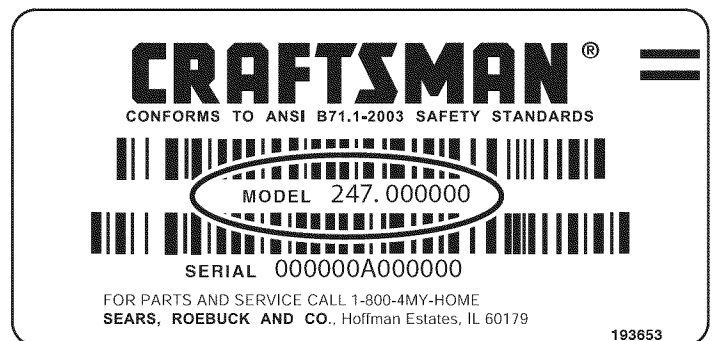
CAUTION! Muffler is hot! Allow engine to cool down before proceeding with bumper installation.

LOCATE YOUR TRACTOR MODEL NUMBER

Look under the seat of your tractor and locate the model number. For tractors with model numbers beginning with 917, proceed to DETERMINE IF YOUR TRACTOR HAS A SINGLE SUSPENSION BRACKET OR DUAL SUSPENSION BRACKETS on page 3. For tractors with model numbers beginning with 247, proceed to IDENTIFY YOUR TRACTOR FRAME on page 8.

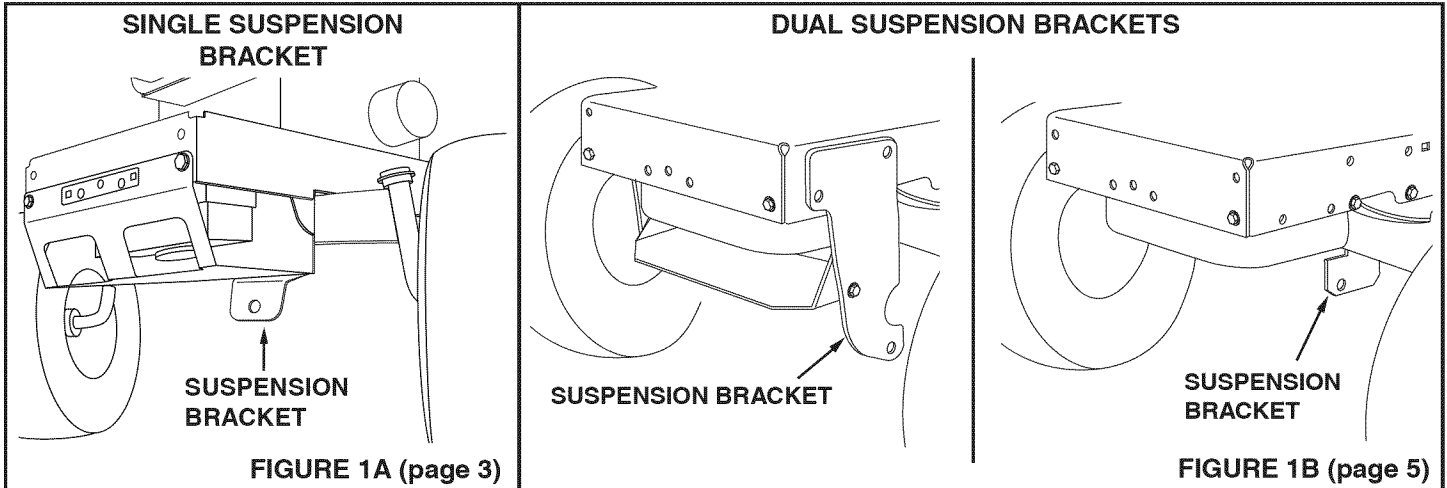


**917 MODEL TRACTORS
GO TO PAGE 3**



**247 MODEL TRACTORS
GO TO PAGE 8**

DETERMINE IF YOUR TRACTOR HAS A SINGLE SUSPENSION BRACKET OR DUAL SUSPENSION BRACKETS



For all tractors with model numbers beginning with 917, look under the front of your tractor (Figure 1A & 1B). If there is a single mower deck suspension bracket located underneath the middle of the front axle, continue on to INSTRUCTIONS FOR SINGLE SUSPENSION BRACKET TRACTORS on page 3. If your tractor does not have a mower deck suspension bracket underneath the middle of the front axle, skip to INSTRUCTIONS FOR DUAL SUSPENSION BRACKET TRACTORS on page 5.

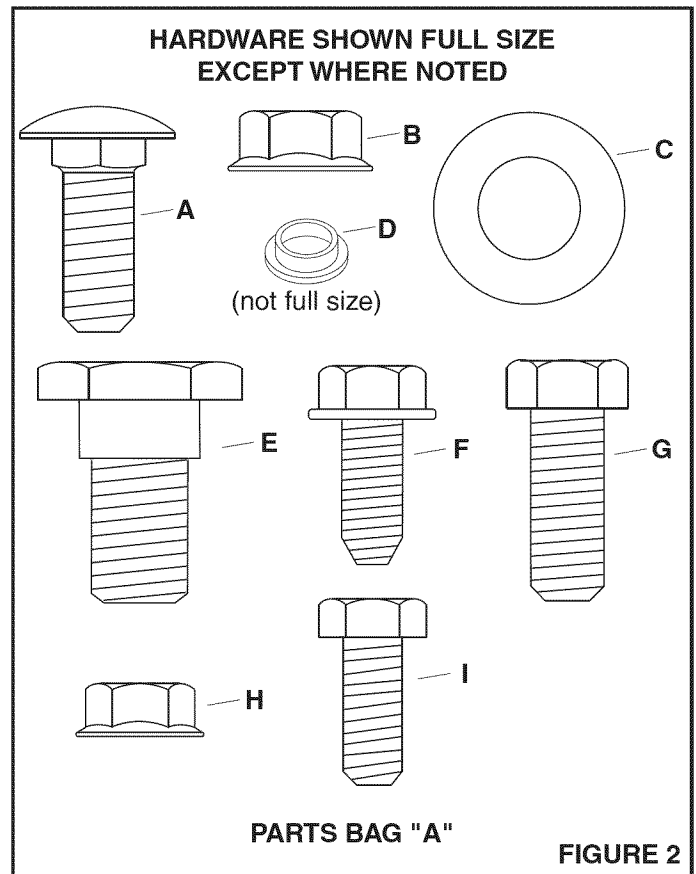
INSTRUCTIONS FOR SINGLE SUSPENSION BRACKET TRACTORS

STEP 1: (SEE FIGURE 2)

- Open parts bag labelled "A" and verify that all parts are present.

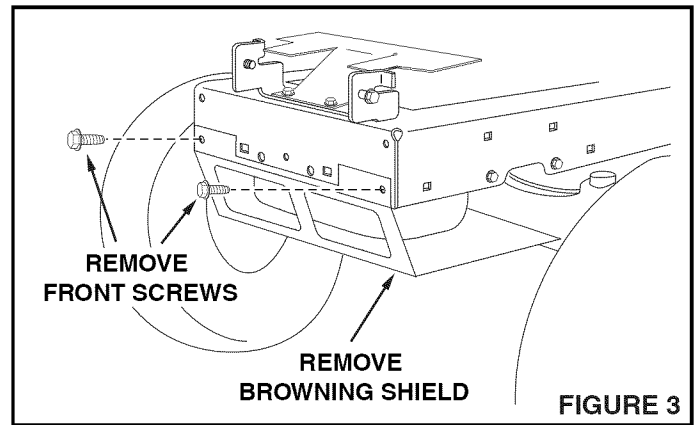
NOTE: Place cardboard or a mat on work surface to prevent scratching of parts removed from carton and tractor.

Ref.	Part	Qty.	Description
A	43350	4	Carriage Bolt, 3/8-16 x 1"
B	44072	4	Whizlock Nut, 3/8"
C	R19171616	4	Washer, 1/2" x 1"
D	44742	2	Plug (486.24611 Bumper)
	47674	4	Plug (486.24612 Bumper)
E	48106	2	Shoulder Bolt, 3/8-16 x .9"
F	47856	2	Lag Screw, 5/16 x 3/4"
G	43001	2	Hex Bolt, 3/8-16 x 1"
H	46584	2	Whizlock Nut, 5/16"
I	43182	2	Hex Bolt, 5/16 x 3/4"



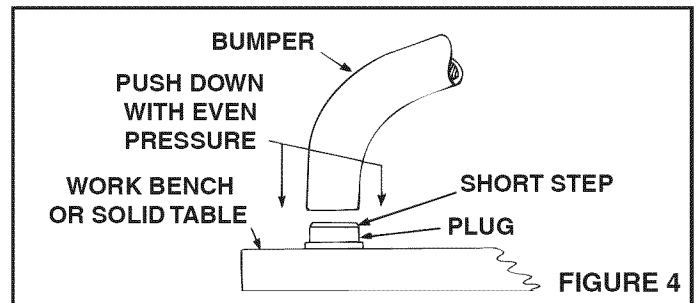
STEP 2: (SEE FIGURE 3)

- Remove tractor hood. (Refer to tractor manual.)
- Remove the browning shield as shown.



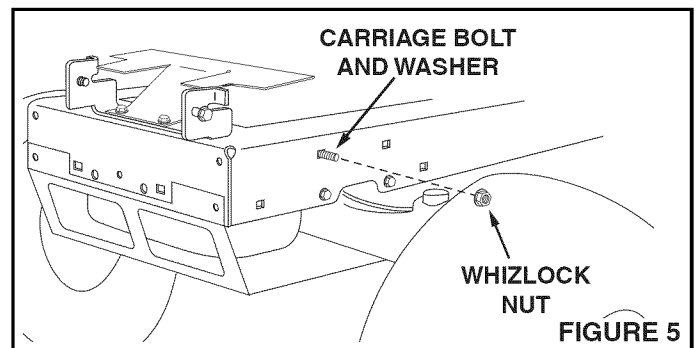
STEP 3: (SEE FIGURE 4)

- Place plug on a work bench or solid table and push end of bumper down onto plug. Repeat for all plugs.



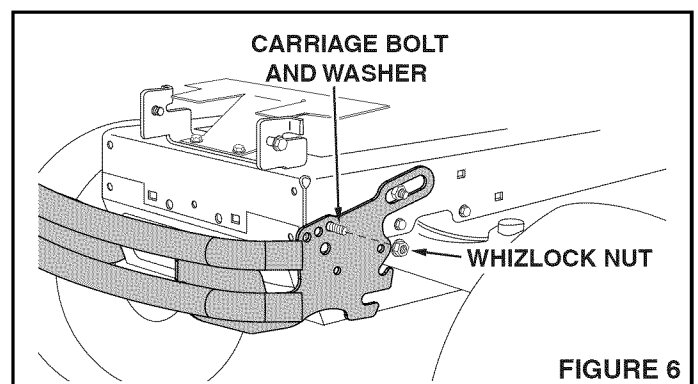
STEP 4: (SEE FIGURE 5)

- Insert a carriage bolt into the second mounting hole from the front of the tractor frame and fully tighten a whizlock nut onto the bolt. Repeat on other side of tractor.



STEP 5: (SEE FIGURE 6)

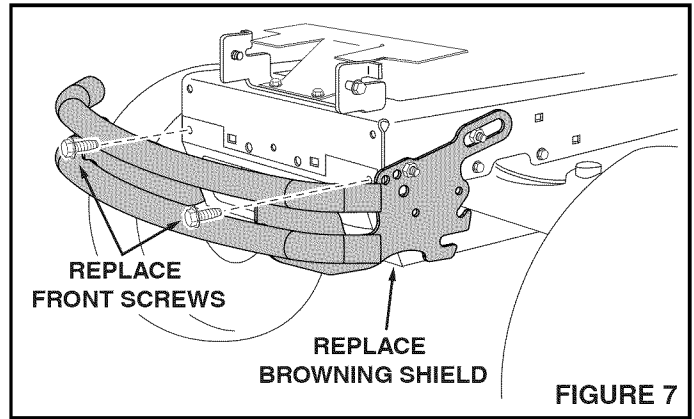
- Spread ends of bumper enough to fit slots onto bolts in rear mounting holes in tractor frame.
- The bumper has three mounting holes. The rear hole provides the most clearance while the forward holes provide a neater appearance. Use a hole that provides enough clearance for hood to stay in raised position when opened. Insert a carriage bolt and washer through tractor frame and into desired mounting hole on each side of bumper and secure with a whizlock nut.



IMPORTANT: Before fully tightening nuts, be sure tractor hood will stay in raised position when opened.

STEP 6: (SEE FIGURE 7)

- Replace the browning shield using the front screws you removed in **Step 2**.



INSTRUCTIONS FOR DUAL SUSPENSION BRACKET TRACTORS

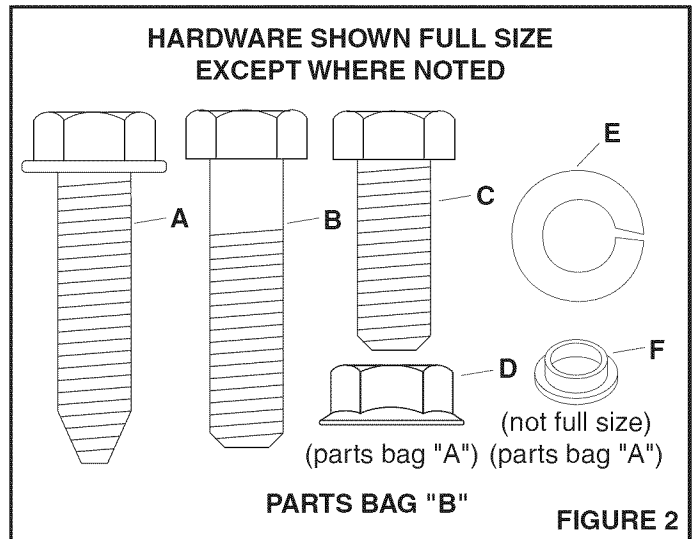
STEP 1: (SEE FIGURE 2)

- Open parts bags labelled "A" and "B" and verify that all parts needed are present.

NOTE: Place cardboard or a mat on work surface to prevent scratching of parts removed from carton and tractor.

NOTE: Not all hardware will be used. Unused parts may be discarded after assembly

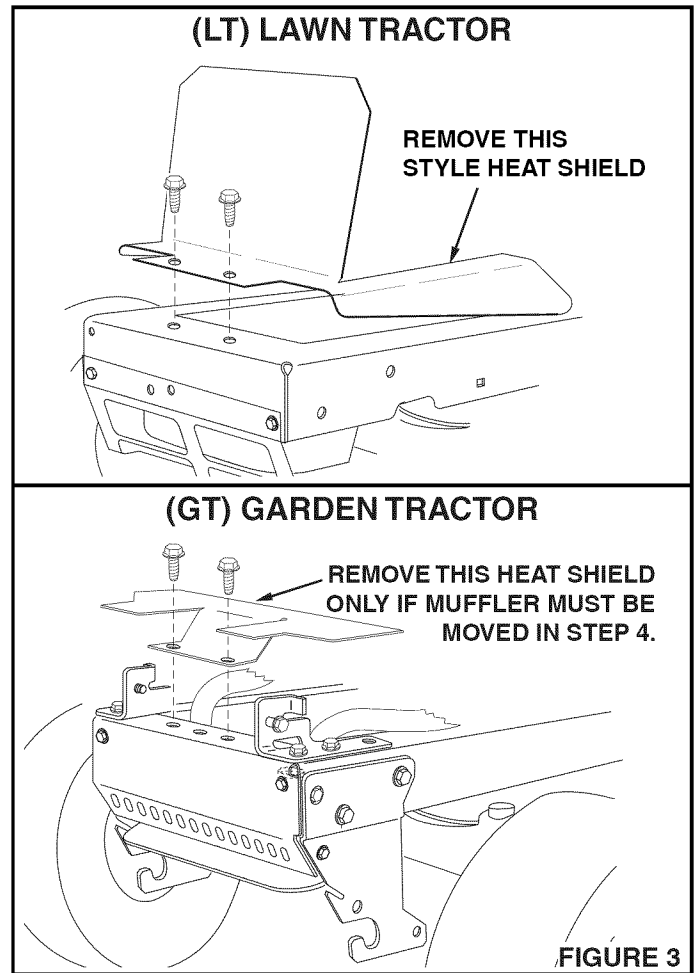
Ref.	Part	Qty.	Description
A	48894	2	Self Threading Bolt, 3/8-16 x 1-1/2"
B	43062	2	Hex Bolt, 3/8-16 x 1-1/2"
C	43001	4	Hex Bolt, 3/8-16 x 1"
D	44072	4	Whizlock Nut, 3/8"
E	43003	4	Lock Washer, 3/8"
F	44742	2	Plug (486.24611 Bumper)
	47674	4	Plug (486.25612 Bumper)



STEP 2: (SEE FIGURE 3)

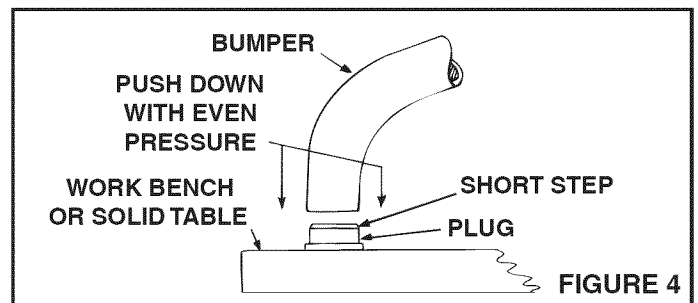
- Remove tractor hood. (Refer to tractor manual.)
- Remove an (LT) Lawn Tractor heat shield like the one shown. Remove a (GT) Garden Tractor heat shield like the one shown only if you need access to inside of tractor frame during step 5.

IMPORTANT: Be sure to re-attach the heat shield after bumper is installed.



STEP 3: (SEE FIGURE 4)

- Place plug on a work bench or solid table and push end of bumper down onto plug. Repeat for all plugs.

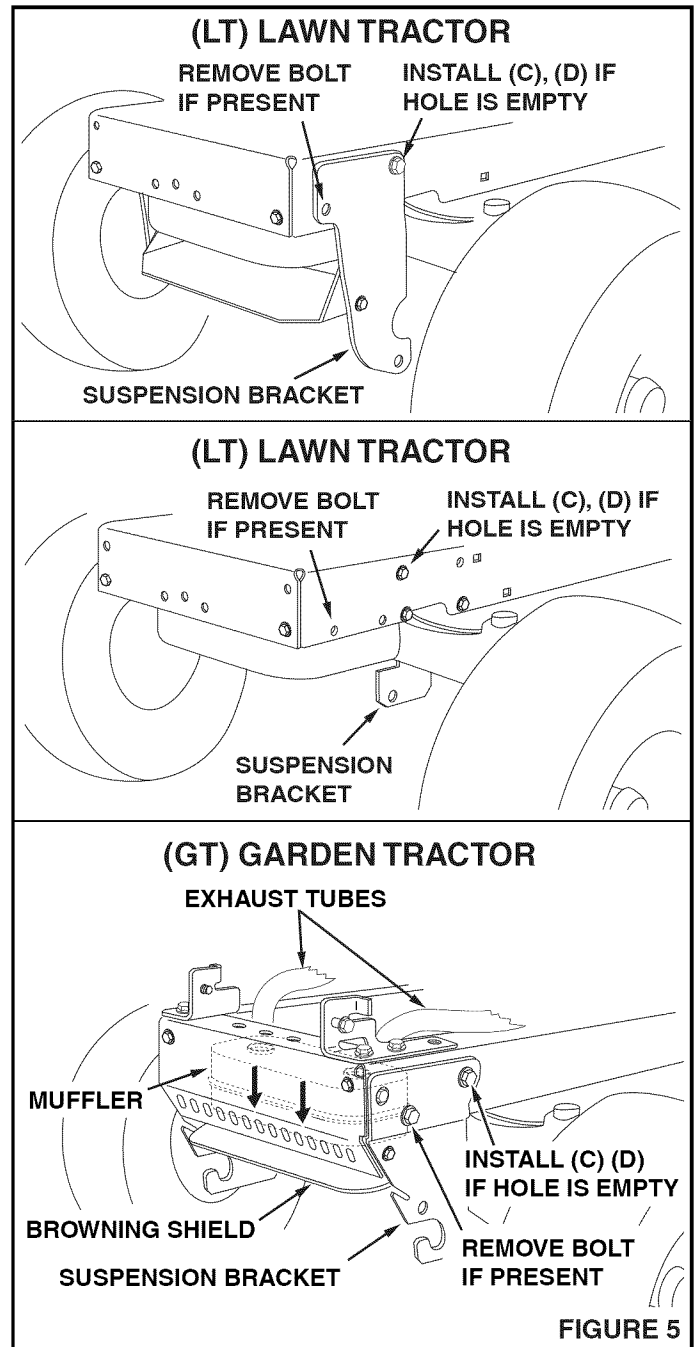


STEP 4: (SEE FIGURE 5)

- Remove any bolts present in **front** mounting holes in side of tractor frame. If bolt will not screw out of hole, check if a nut is present on bolt on inside of frame. On GT tractors, if access to nut is blocked by a front mounted muffler, slide muffler down exhaust tubes to rest on top of browning shield.

IMPORTANT: Be sure to **re-attach** muffler and heat shield after bumper is installed.

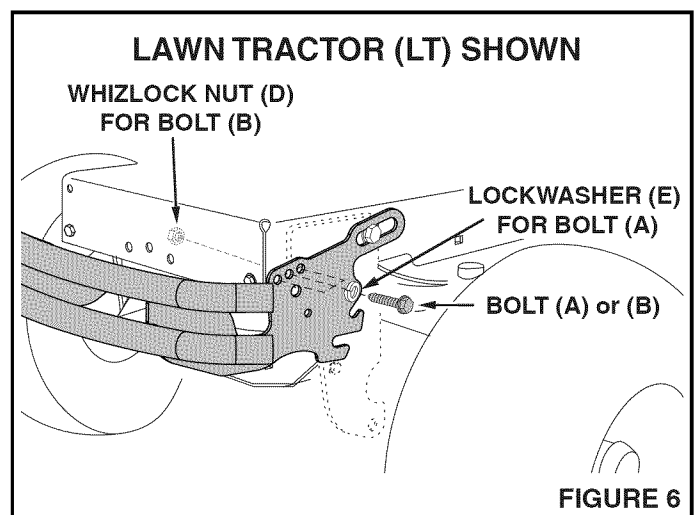
- If **rear** mounting holes in tractor frame are empty, install hex bolts and whizlock nuts supplied in the parts bags. See figure 5.



STEP 5: (SEE FIGURE 6)

- Spread ends of bumper enough to fit slots onto bolts in rear mounting holes in tractor frame.
- The bumper has three mounting holes. The rear hole provides the most clearance while the forward holes provide a neater appearance. Use a hole that provides enough clearance for hood to stay in raised position when opened. Attach the bumper using either standard hex bolts and whizlock nuts or self threading bolts and lock washers. Use the self threading bolts if standard hex bolts do not insert freely into the hole in the tractor frame.

IMPORTANT: Before fully tightening bolts, be sure tractor hood will stay in raised position when opened.



IDENTIFY YOUR TRACTOR FRAME

For all tractors with model numbers beginning with 247, look at the side of your tractor directly underneath the hood (Figure 1A & 1B). If your frame resembles the one shown in 1A, go to TRACTORS WITH FRAME SHOWN IN FIGURE 1A on page 8. If your frame resembles the one shown in 1B, go to TRACTORS WITH FRAME SHOWN IN FIGURE 1B on page 10.

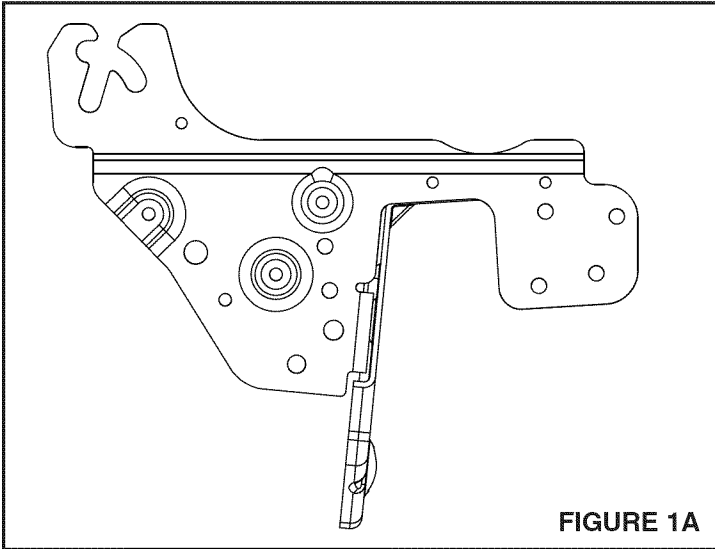


FIGURE 1A

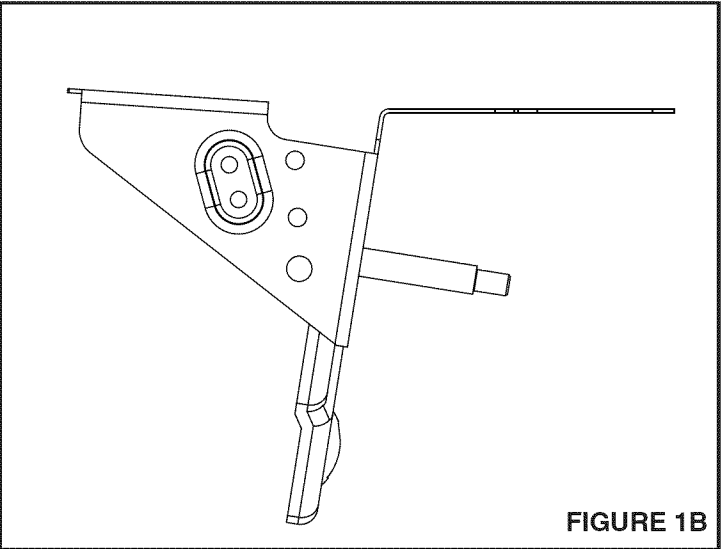


FIGURE 1B

NOTE: Only the front of the tractor frame is shown for clarity.

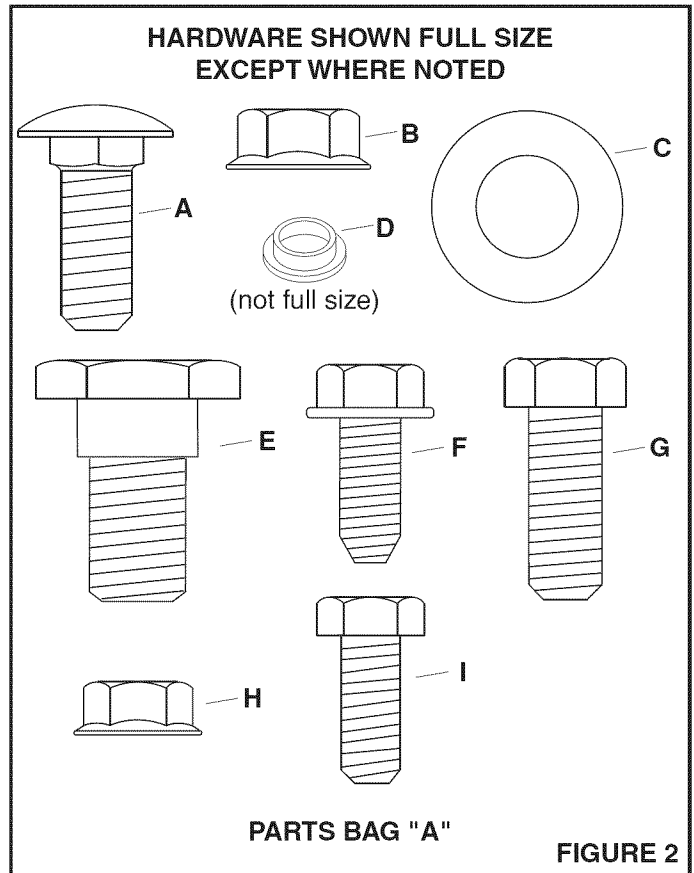
TRACTORS WITH FRAME SHOWN IN FIGURE 1A

STEP 1: (SEE FIGURE 2)

- Open parts bag labelled "A" and verify that all parts are present.

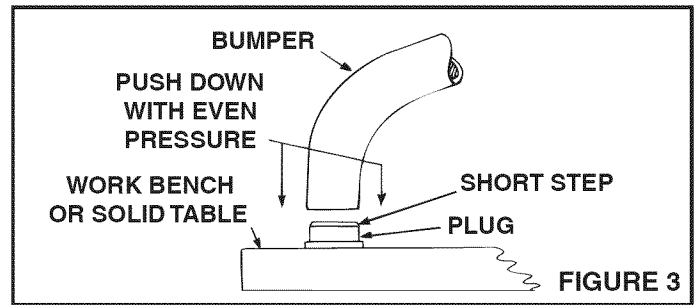
NOTE: Place cardboard or a mat on work surface to prevent scratching of parts removed from carton and tractor.

Ref.	Part	Qty.	Description
A	43350	4	Carriage Bolt, 3/8-16 x 1"
B	44072	4	Whizlock Nut, 3/8"
C	R19171616	4	Washer, 1/2" x 1"
D	44742	2	Plug (486.24611 Bumper)
	47674	4	Plug (486.24612 Bumper)
E	48106	2	Shoulder Bolt, 3/8-16 x .9"
F	47856	2	Lag Screw, 5/16 x 3/4"
G	43001	2	Hex Bolt, 3/8-16 x 1"
H	46584	2	Whizlock Nut, 5/16"
I	43182	2	Hex Bolt, 5/16 x 3/4"



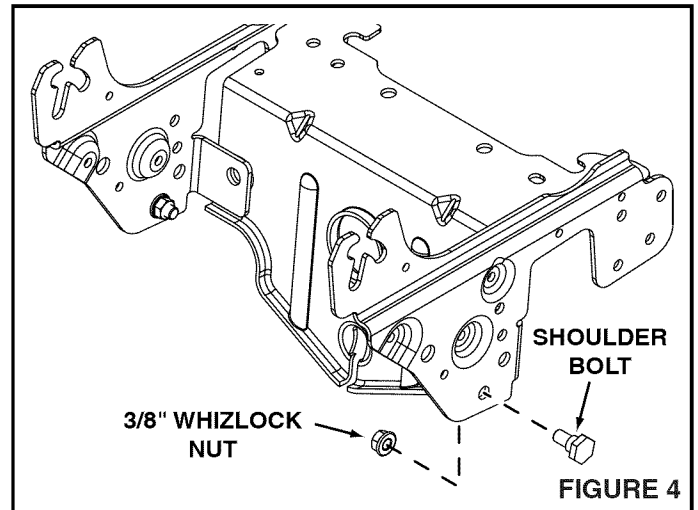
STEP 2: (SEE FIGURE 3)

- Place plug on a work bench or solid table and push end of bumper down onto plug. Repeat for all plugs.



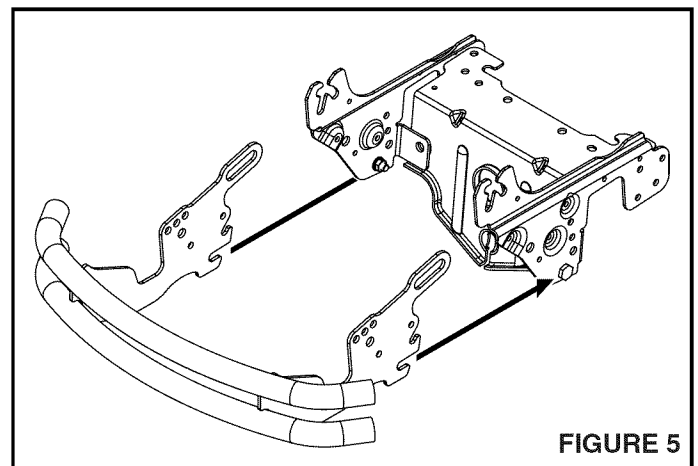
STEP 3: (SEE FIGURE 4)

- Assemble a 0.9 x 3/8" shoulder bolt and 3/8" whizlock nut to each side of the tractor frame. **Tighten.**



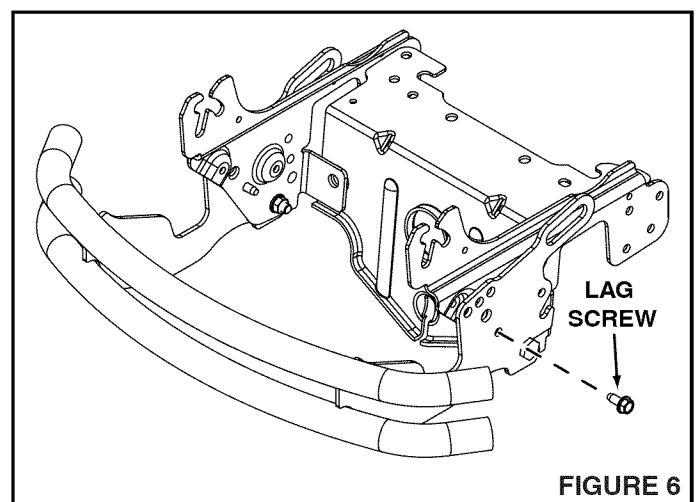
STEP 4: (SEE FIGURE 5)

- Slide the lower slots of the bumper onto the shoulder bolts you assembled to the tractor frame in step 1.



STEP 5: (SEE FIGURE 6)

- Assemble a 5/16 x 3/4" lag screw to the bumper and tractor frame.
- Repeat for other side.



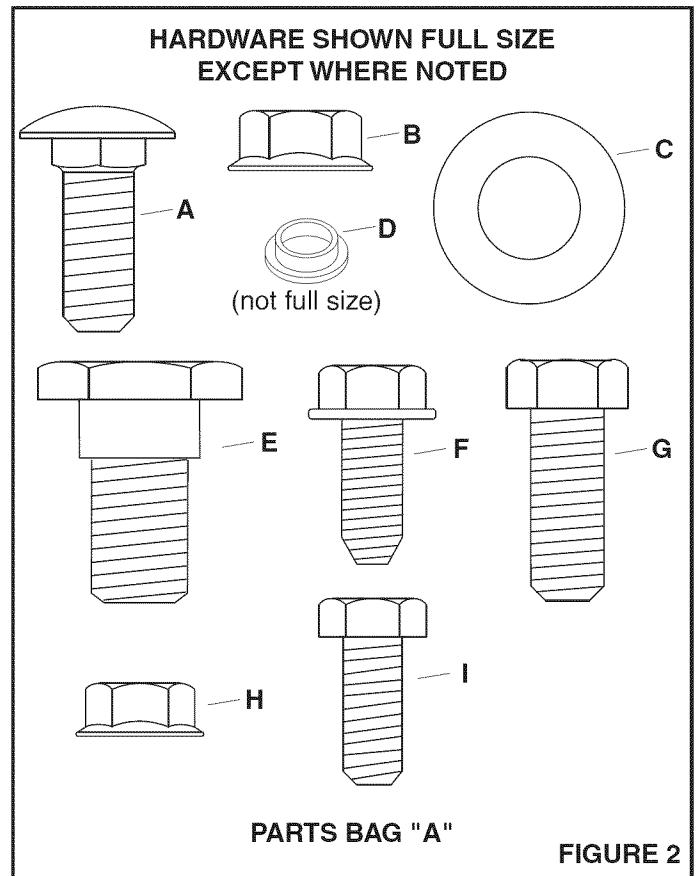
TRACTORS WITH FRAME SHOWN IN FIGURE 1B

STEP 1: (SEE FIGURE 2)

- Open parts bag labelled "A" and verify that all parts are present.

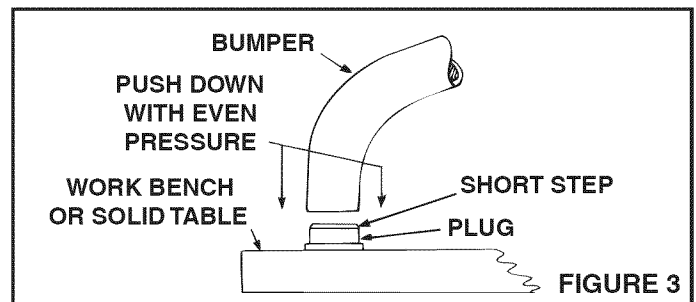
NOTE: Place cardboard or a mat on work surface to prevent scratching of parts removed from carton and tractor.

Ref.	Part	Qty.	Description
A	43350	4	Carriage Bolt, 3/8-16 x 1"
B	44072	4	Whizlock Nut, 3/8"
C	R19171616	4	Washer, 1/2" x 1"
D	44742	2	Plug (486.24611 Bumper)
	47674	4	Plug (486.24612 Bumper)
E	48106	2	Shoulder Bolt, 3/8-16 x .9"
F	47856	2	Lag Screw, 5/16 x 3/4"
G	43001	2	Hex Bolt, 3/8-16 x 1"
H	46584	2	Whizlock Nut, 5/16"
I	43182	2	Hex Bolt, 5/16 x 3/4"



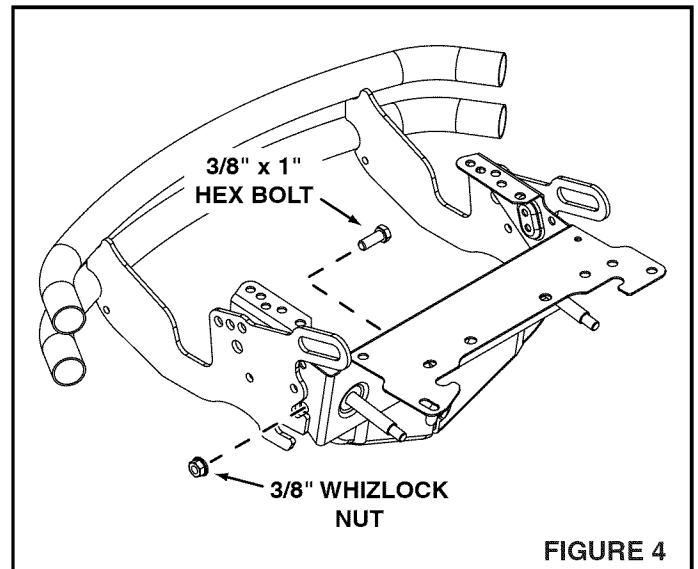
STEP 2: (SEE FIGURE 3)

- Place plug on a work bench or solid table and push end of bumper down onto plug. Repeat for all plugs.



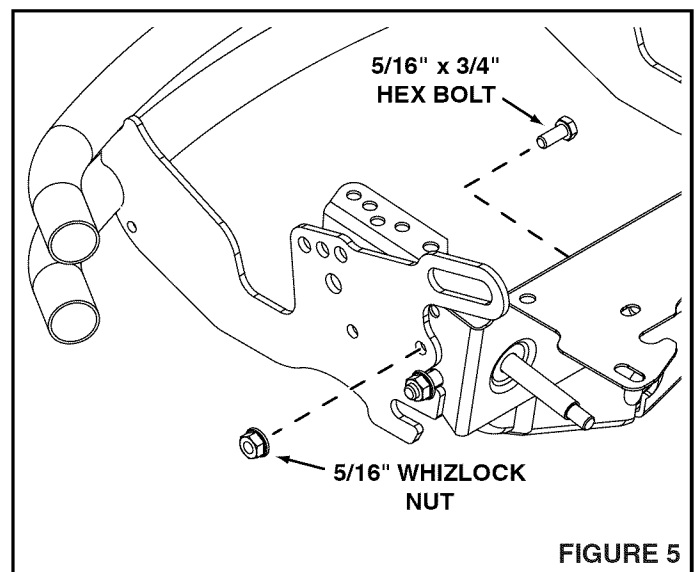
STEP 3: (SEE FIGURE 4)

- Assemble a 3/8 x 1" hex bolt and 3/8" whizlock nut to tractor frame and middle slot of the bumper.
- **Tighten** and then **loosen** nut one half turn.
- Repeat for other side of bumper.



STEP 4: (SEE FIGURE 5)

- Assemble a 5/16 x 3/4" hexbolt and 5/16" whizlock nut to the tractor frame and bumper. **Tighten**.
- Repeat for other side of bumper
- **Tighten** the two 3/8" whizlock nuts assembled in step 1.



Get it fixed, at your home or ours!

Your Home

For expert troubleshooting and home solutions advice:

manage my home

www.managemyhome.com

For repair – **in your home** – of **all** major brand appliances, lawn and garden equipment, or heating and cooling systems, **no matter who made it, no matter who sold it!**

For the replacement parts, accessories and owner's manuals that you need to do-it-yourself.

For Sears professional installation of home appliances and items like garage door openers and water heaters.

1-800-4-MY-HOME[®] (1-800-469-4663)

Call anytime, day or night (U.S.A. and Canada)

www.sears.com www.sears.ca

Our Home

For repair of carry-in items like vacuums, lawn equipment, and electronics, call anytime for the location of your nearest

Sears Parts & Repair Service Center

1-800-488-1222 (U.S.A.) **1-800-469-4663** (Canada)

www.sears.com

www.sears.ca

To purchase a protection agreement on a product serviced by Sears:

1-800-827-6655 (U.S.A.)

1-800-361-6665 (Canada)

Para pedir servicio de reparación a domicilio, y para ordenar piezas:

1-888-SU-HOGAR[®]

(1-888-784-6427)

Au Canada pour service en français:

1-800-LE-FOYER^{MC}

(1-800-533-6937)

www.sears.ca



© Registered Trademark / TM Trademark / SM Service Mark of Sears Brands, LLC

© Marca Registrada / TM Marca de Fábrica / SM Marca de Servicio de Sears Brands, LLC

^{MC} Marque de commerce / ^{MD} Marque déposée de Sears Brands, LLC

© Sears Brands, LLC

Free Manuals Download Website

<http://myh66.com>

<http://usermanuals.us>

<http://www.somanuals.com>

<http://www.4manuals.cc>

<http://www.manual-lib.com>

<http://www.404manual.com>

<http://www.luxmanual.com>

<http://aubethermostatmanual.com>

Golf course search by state

<http://golfingnear.com>

Email search by domain

<http://emailbydomain.com>

Auto manuals search

<http://auto.somanuals.com>

TV manuals search

<http://tv.somanuals.com>