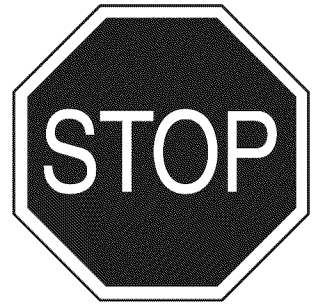


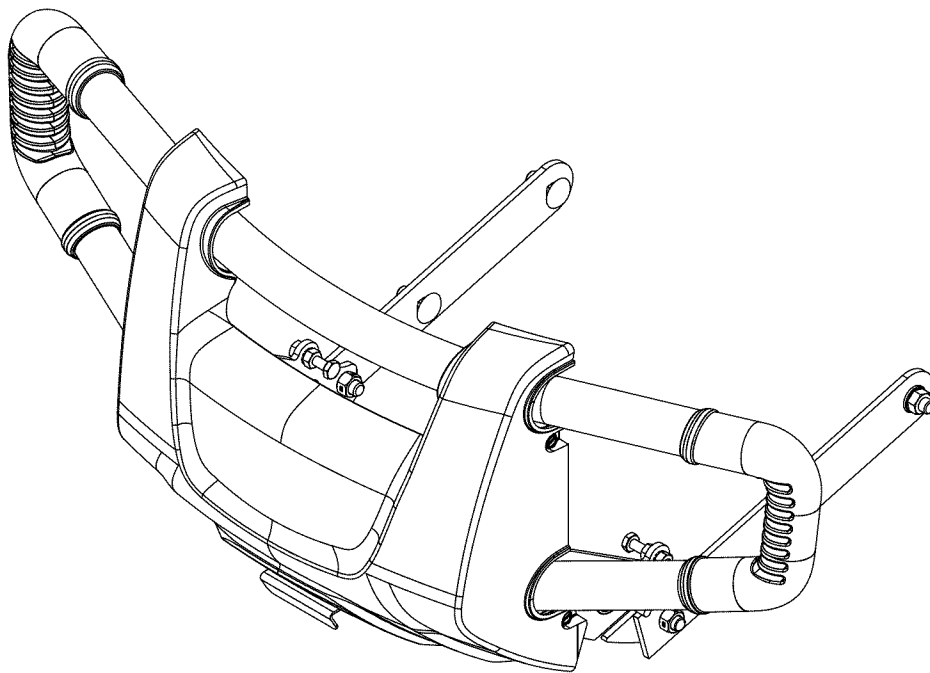
# Operator's Manual



## BRUSH GUARD

DO NOT RETURN TO STORE  
For Missing Parts or Assembly  
Questions Call 1-866-576-8388

**Model No. 486.24628**



### CAUTION:

Before using this product, read this manual and follow all Safety Rules and Operating Instructions.

- Safety
- Assembly
- Operation
- Maintenance
- Parts

Sears, Roebuck and Co., Hoffman Estates, IL 60179 U.S.A.  
[www.sears.com/craftsman](http://www.sears.com/craftsman)

PRINTED IN U.S.A.

FORM NO. 42187 (12/11/08)

## TABLE OF CONTENTS

WARRANTY .....	2	OPERATION.....	5
SAFETY RULES.....	2	REPAIR PARTS ILLUSTRATION.....	6
CARTON CONTENTS.....	3	REPAIR PARTS LIST.....	7
FULL SIZE HARDWARE CHART .....	3	PARTS ORDERING/SERVICE .....	BACK PAGE
ASSEMBLY .....	4		

## WARRANTY

### ONE YEAR FULL WARRANTY

When operated and maintained according to all supplied instructions, if this Craftsman product fails due to a defect in material or workmanship within one year from the date of purchase, return it to any Sears store or other Craftsman outlet in the United States for free replacement.

This warranty applies for only 90 days if this product is ever used for commercial or rental purposes.

This warranty gives you specific legal rights, and you may also have other rights which vary from state to state.

Sears, Roebuck and Co., D817WA, Hoffman Estates, IL 60179

## SAFETY RULES

Any power equipment can cause injury if operated improperly or if the user does not understand how to operate the equipment. Exercise caution at all times when using power equipment.

- Refer to your tractor owners manual for "**Rules For Safe Operation**".



Look for this symbol to point out important safety precautions. It means — **Attention!! Become alert!! Your safety is involved.**

The model number and serial numbers will be found on a decal attached to the Brush Guard.

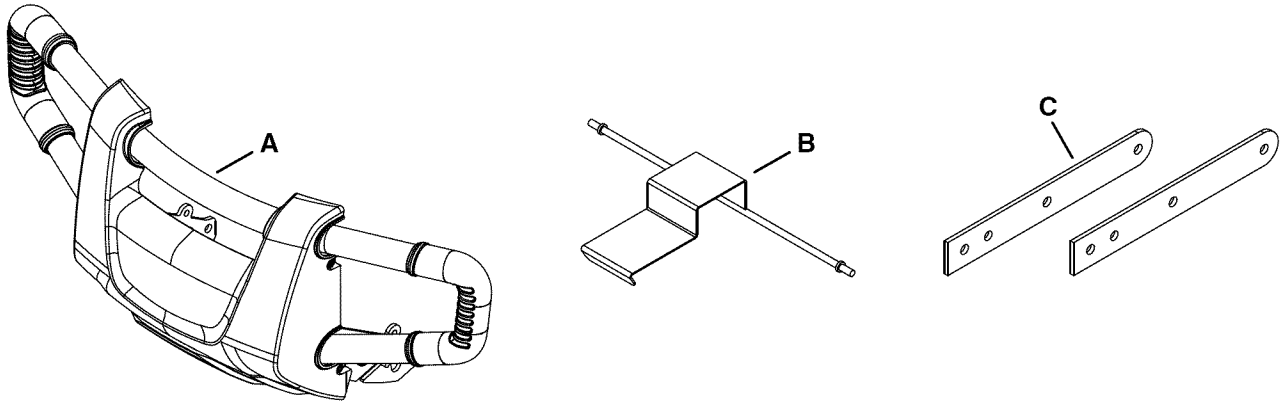
You should record both the serial number and the date of purchase and keep in a safe place for future reference.

MODEL NUMBER: 486.24628

SERIAL NUMBER: \_\_\_\_\_

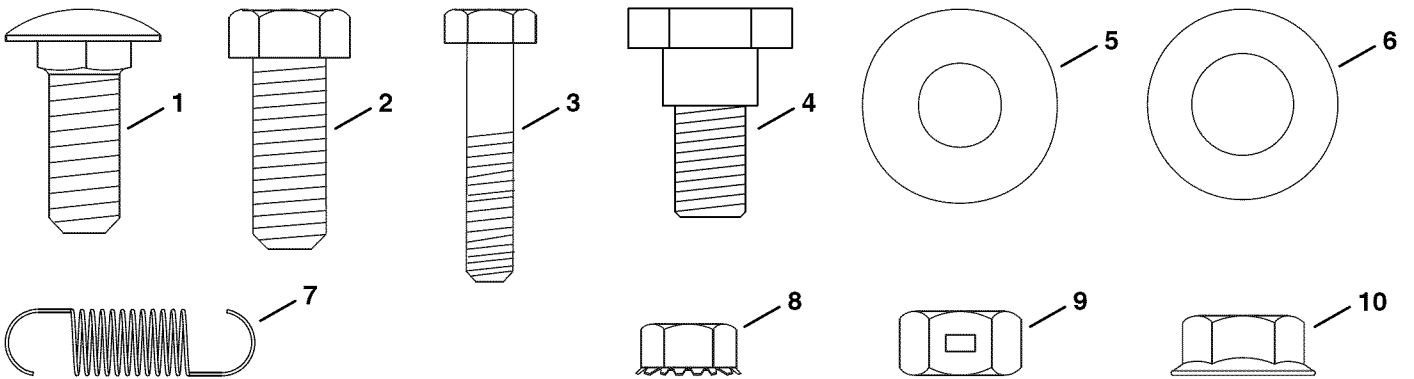
DATE OF PURCHASE: \_\_\_\_\_

## CARTON CONTENTS



REF	QTY	DESCRIPTION	REF	QTY	DESCRIPTION
1	4	Brush Guard	3	2	Frame Brace
2	2	Latch			

## FULL SIZE HARDWARE CHART



REF	QTY	DESCRIPTION	REF	QTY	DESCRIPTION
1	4	Carriage Bolt, 3/8-16 x 1"	6	2	Washer, .5312 x 1 x .0598"
2	2	Hex Bolt, 3/8-1 x 1"	7	2	Spring
3	2	Hex Bolt, 1/4-20 x 1-1/4"	8	4	Hex Nut (SIMS), 1/4"
4	2	Shoulder Bolt, 3/8-16	9	4	Lock Nut, 3/8"
5	2	Washer, 3/8"	10	4	Whizlock Nut, 3/8"

# ASSEMBLY

## TOOLS REQUIRED FOR ASSEMBLY

- (2) 7/16" Wrenches
- (2) 9/16" Wrenches
- (1) 3/4" Wrench



**CAUTION!** Muffler is hot! Allow engine to cool down before proceeding with bumper installation.

### STEP 1: (SEE FIGURE 1)

- Slide the ends of the latch into the slots located on the bottom of the bumper.
- Push the front of the latch down past plastic shroud of bumper. Latch will be under the shroud and should appear as shown in figure 3 when assembled correctly.
- Attach one spring onto the rod on each side of the latch.

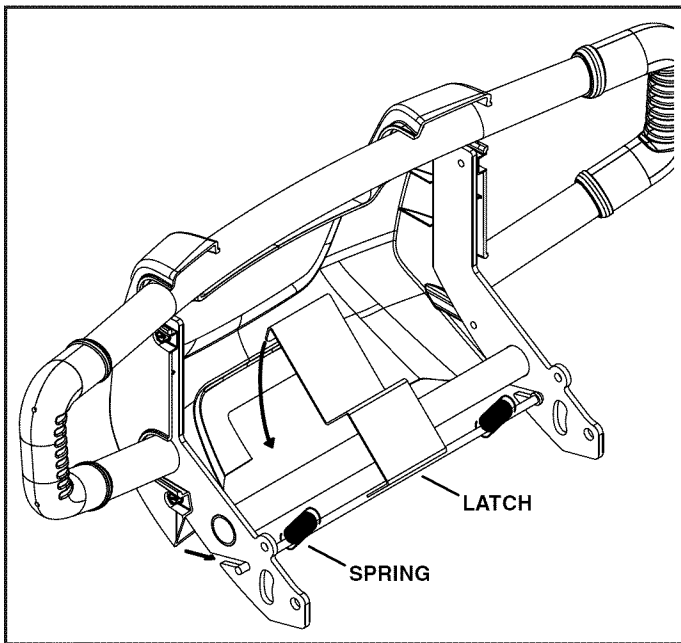


FIGURE 1

### STEP 2: (SEE FIGURE 2)

- Insert 1/4 x 1-1/4" hex bolt through one of the springs.
- Assemble 1/4 x 1-1/4" hex bolt onto the bumper using two 1/4-20 hex nuts (SIMS) with end of bolt extending slightly through outside nut.
- Repeat for spring on other side.

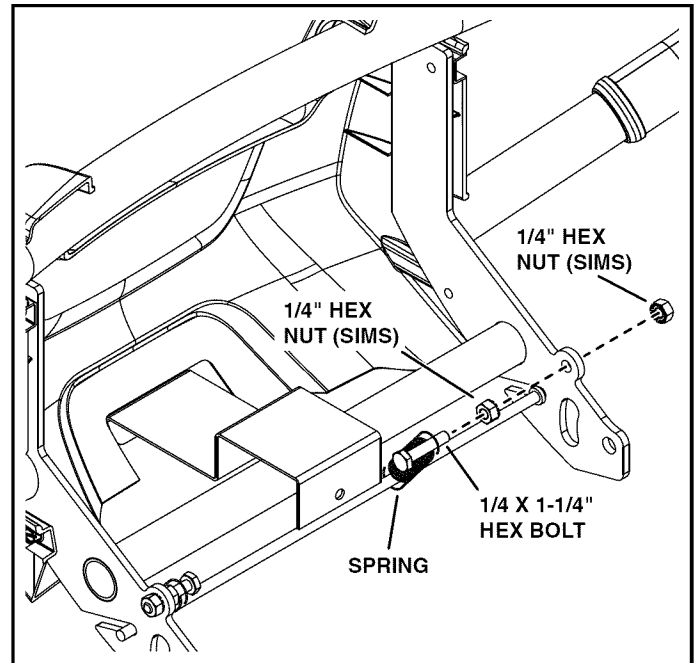


FIGURE 2

### STEP 3: (SEE FIGURE 3)

- Assemble a 3/8 x 1" hex bolt, 3/8" washer, frame brace and 3/8" lock nut to the rear hole of the bumper.

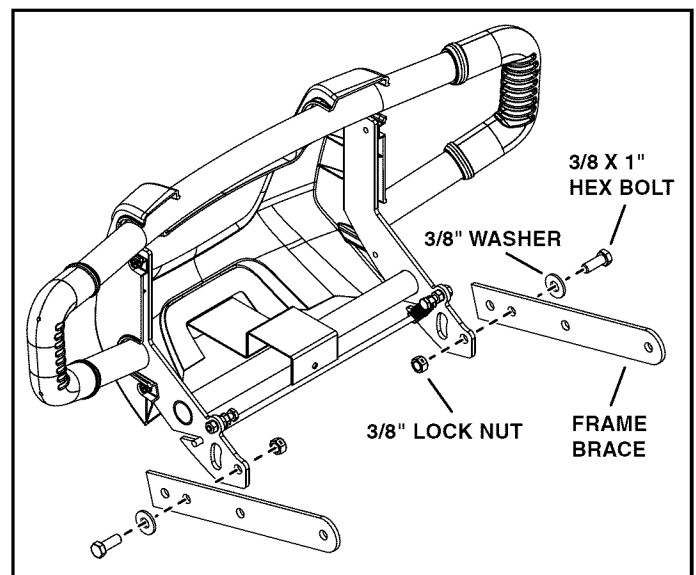


FIGURE 3

#### STEP 4: (SEE FIGURE 4)

- Assemble a shoulder bolt, large washer and 3/8" lock nut to the frame brace and slotted hole on each side of the bumper.

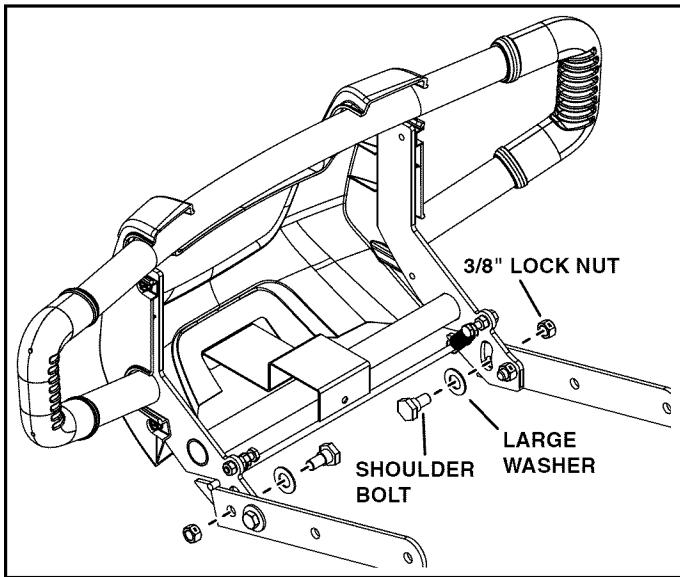


FIGURE 4

#### STEP 5: (SEE FIGURE 5)

- Fasten the frame braces to the tractor frame using four 3/8-16 x 1" carriage bolts and 3/8" whizlock nuts.

**NOTE:** Only tractor frame shown for clarity.

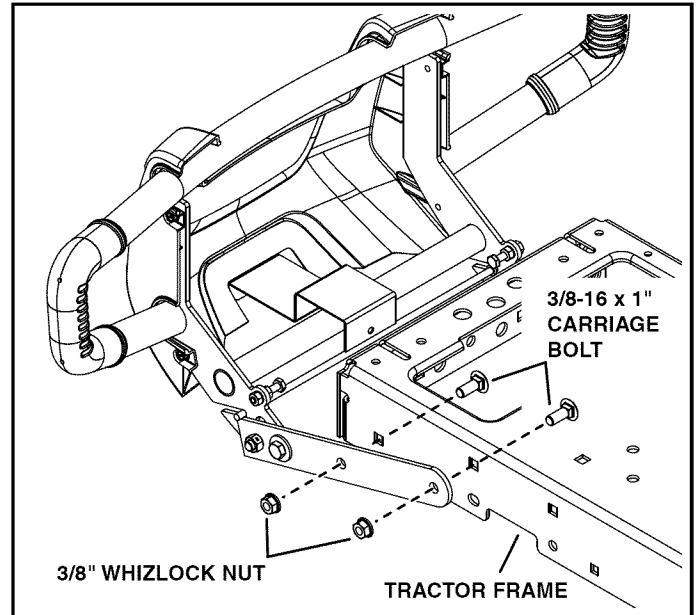


FIGURE 5

## OPERATION

#### TILT BUMPER DOWN BEFORE RAISING TRACTOR HOOD: (SEE FIGURE 6)

- While pushing in lightly on top of bumper, pull latch under front of bumper.
- Keep latch pulled out and pull down on bumper.

#### LOCK BUMPER INTO UP POSITION: (SEE FIGURE 6)

- Push bumper up into position. Latch will lock bumper into place.

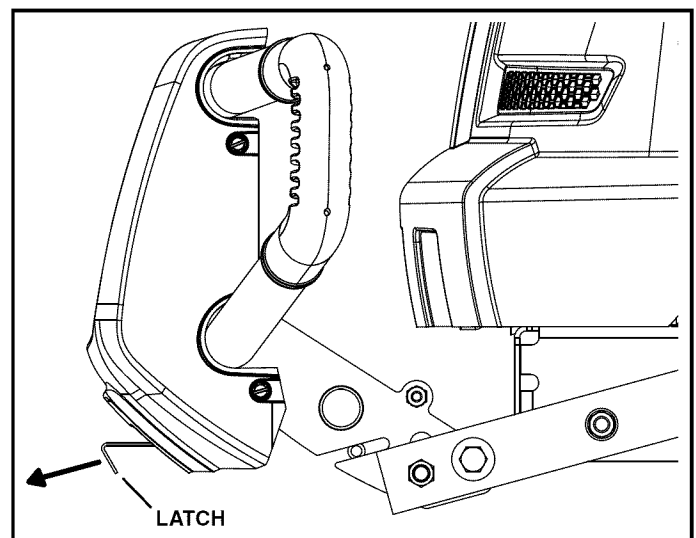
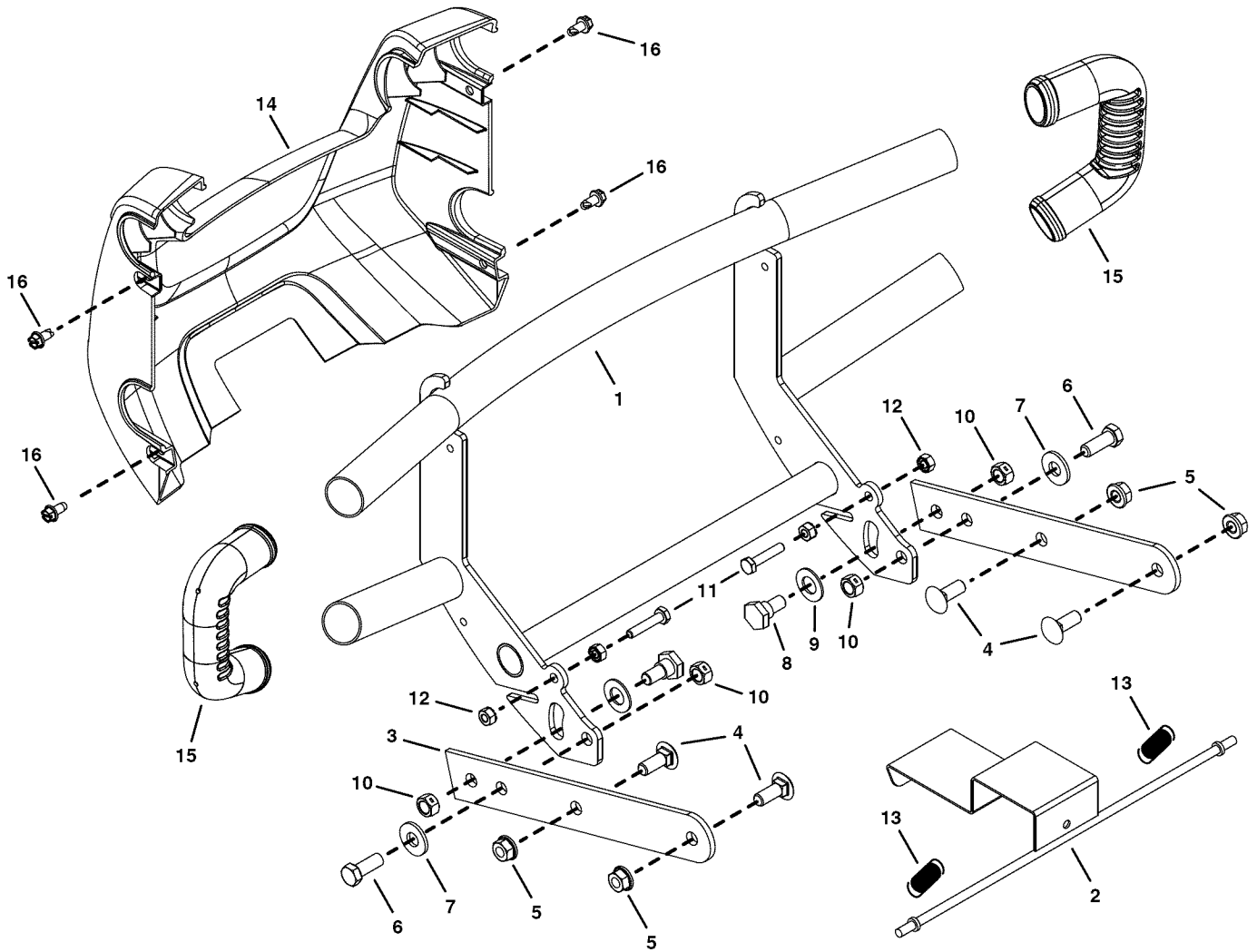


FIGURE 6

# REPAIR PARTS ILLUSTRATION

## MODEL #486.24628 BRUSH GUARD



# REPAIR PARTS LIST

## MODEL #486.24628 BRUSH GUARD

REF	QTY	PART NO.	DESCRIPTION	REF	QTY	PART NO.	DESCRIPTION
1	1	421265	Brush Guard Assembly	10	4	43082	Lock Nut, 3/8"
2	1	66696	Latch	11	2	1509-90	Hex Bolt, 1/4-20 x 1-1/4"
3	2	26729	Frame Brace	12	4	46978	Hex Nut (SIMS), 1/4"
4	4	43350	Carriage Bolt, 3/8-16 x 1"	13	2	42117	Spring
5	4	44072	Whizlock Nut, 3/8"	14	1	422754	Shroud
6	2	43001	Hex Bolt, 3/8-16 x 1"	15	2	422752	End Cap
7	2	43070	Washer, 3/8"	16	2	48840	Screw, 1/4-20 x 1/2"
8	2	48106	Shoulder Bolt, 3/8-16		1	42187	Owners Manual
9	2	R19171616	Washer, .5312 x 1 x .0598"				

# Get it fixed, at your home or ours!

## Your Home

For expert troubleshooting and home solutions advice:

**manage my home**

[www.managemyhome.com](http://www.managemyhome.com)

For repair – **in your home** – of **all** major brand appliances, lawn and garden equipment, or heating and cooling systems, **no matter who made it, no matter who sold it!**

For the replacement parts, accessories and owner's manuals that you need to do-it-yourself.

For Sears professional installation of home appliances and items like garage door openers and water heaters.

**1-800-4-MY-HOME<sup>®</sup>** (1-800-469-4663)

Call anytime, day or night (U.S.A. and Canada)

[www.sears.com](http://www.sears.com)      [www.sears.ca](http://www.sears.ca)

## Our Home

For repair of carry-in items like vacuums, lawn equipment, and electronics, call anytime for the location of your nearest

**Sears Parts & Repair Service Center**

**1-800-488-1222** (U.S.A.)

[www.sears.com](http://www.sears.com)

**1-800-469-4663** (Canada)

[www.sears.ca](http://www.sears.ca)

To purchase a protection agreement on a product serviced by Sears:

**1-800-827-6655** (U.S.A.)

**1-800-361-6665** (Canada)

Para pedir servicio de reparación a domicilio, y para ordenar piezas:

**1-888-SU-HOGAR<sup>®</sup>**

(1-888-784-6427)

Au Canada pour service en français:

**1-800-LE-FOYER<sup>MC</sup>**

(1-800-533-6937)

[www.sears.ca](http://www.sears.ca)



© Registered Trademark / <sup>TM</sup> Trademark / <sup>SM</sup> Service Mark of Sears Brands, LLC

© Marca Registrada / <sup>TM</sup> Marca de Fábrica / <sup>SM</sup> Marca de Servicio de Sears Brands, LLC

<sup>MC</sup> Marque de commerce / <sup>MD</sup> Marque déposée de Sears Brands, LLC

© Sears Brands, LLC



## Free Manuals Download Website

<http://myh66.com>

<http://usermanuals.us>

<http://www.somanuals.com>

<http://www.4manuals.cc>

<http://www.manual-lib.com>

<http://www.404manual.com>

<http://www.luxmanual.com>

<http://aubethermostatmanual.com>

Golf course search by state

<http://golfingnear.com>

Email search by domain

<http://emailbydomain.com>

Auto manuals search

<http://auto.somanuals.com>

TV manuals search

<http://tv.somanuals.com>