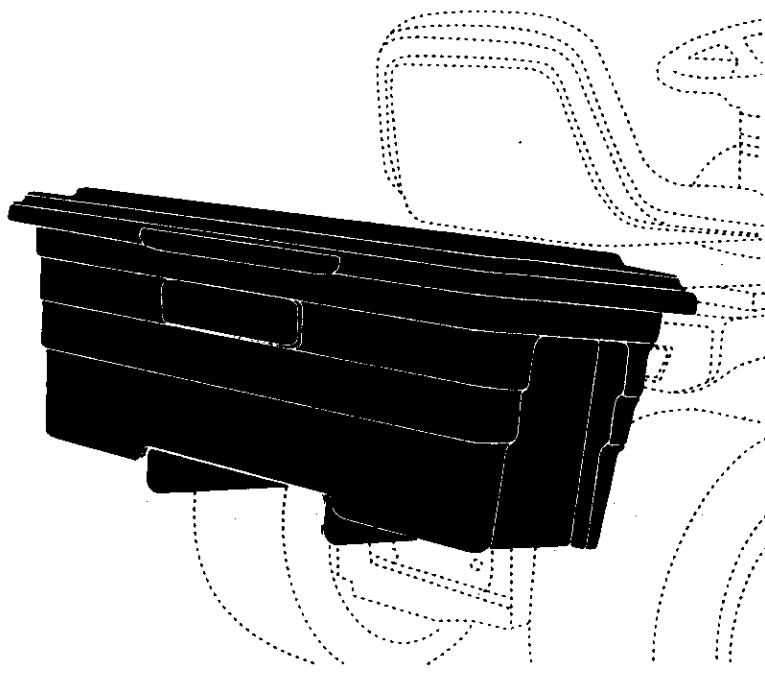


**Owner's Manual**

**CRAFTSMAN®**

**TRAC PACK**

**Model No. 486.24635**



**CAUTION:**

Before using this product,  
read this manual and follow  
all Safety Rules and  
Operating Instructions.

- Safety
- Assembly
- Operation
- Maintenance
- Parts

**PRINTED IN U.S.A.**

## TABLE OF CONTENTS

SAFETY RULES .....	2	MAINTENANCE/STORAGE .....	5
FULL SIZE HARDWARE CHART .....	3	REPAIR PARTS ILLUSTRATION .....	6
CARTON CONTENTS .....	3	REPAIR PARTS LIST .....	6
ASSEMBLY .....	4	SLOPE GUIDE .....	7
OPERATION .....	5	PARTS ORDERING/SERVICE .....	Back Page

## WARRANTY

### LIMITED ONE YEAR WARRANTY ON

For one year from the date of purchase, when this Trac Pack is maintained and lubricated according to the operating and maintenance instructions in the owner's manual, Sears will repair any defect in material or workmanship free of charge. If this Trac Pack is used for commercial or rental purposes, this warranty applies for only 90 days from the date of purchase.

This warranty does not cover repairs necessary because of operator negligence or abuse, including the failure to maintain the equipment according to instructions contained in the owner's manual.

WARRANTY SERVICE IS AVAILABLE BY CONTACTING THE NEAREST SEARS SERVICE CENTER/DEPARTMENT IN THE UNITED STATES.

This warranty applies only while this product is in the United States.

This warranty gives you specific legal rights, and you may also have other rights which vary from state to state. Sears, Roebuck and Co. D/817 WA. Hoffman Estates, Chicago, IL 60179



## SAFETY



Any power equipment can cause injury if operated improperly or if the user does not understand how to operate the equipment. Exercise caution at all times, when using power equipment.

- Read this owners manual before attempting to assemble or operate the spreader.
- Before operating vehicle on any grade (hill) refer to the safety rules in the vehicle owner's manual concerning safe operation on slopes. Refer also to the slope guide on page 7 of this manual. **Stay off steep slopes!**
- Do not allow anyone to ride on or sit on Trac Pack attachment.
- Never allow children to operate the tractor.



Look for this symbol to point out important safety precautions. It mean--**Attention!! Become alert!! Your safety is involved.**

The model number and serial numbers will be found on a decal attached to the hitch bracket.

You should record both the serial number and the date of purchase and keep in a safe place for future reference.

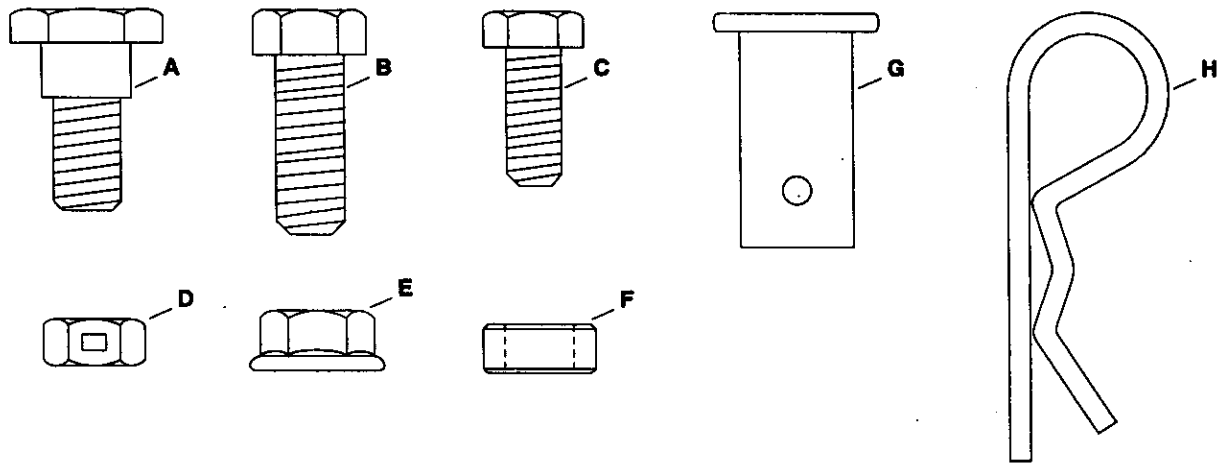
MODEL NUMBER: 486.24635

SERIAL NUMBER: \_\_\_\_\_

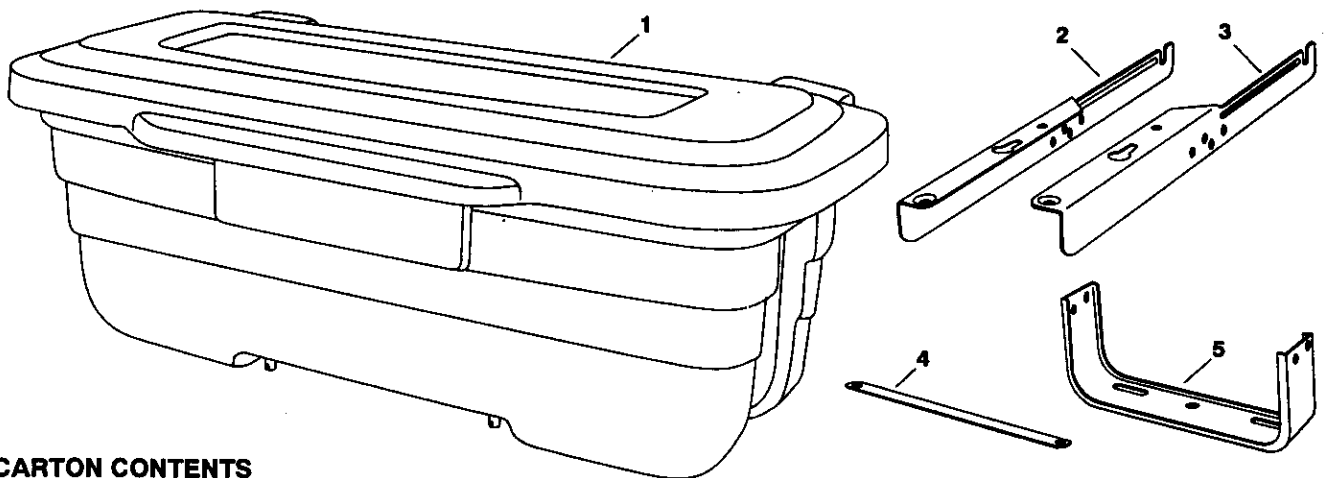
DATE OF PURCHASE: \_\_\_\_\_

# HARDWARE PACKAGE CONTENTS

## HARDWARE SHOWN FULL SIZE



Ref. No.	Qty.	Description	Ref. No.	Qty.	Description
A	2	Shoulder Bolt	E	4	3/8" Flanged Lock Nut
B	2	3/8" x 1" Hex Bolt	F	2	Bushing
C	6	5/16" x 3/4" Hex Bolt	G	1	Clevis Pin
D	6	5/16" Hex Lock Nut	H	3	1/8" Hairpin Clip



### CARTON CONTENTS

1. Tool Box
2. Mounting Bracket, Left Hand
3. Mounting Bracket, Right Hand
4. Brace Strap
5. Hitch Bracket

# ASSEMBLY

## TOOLS REQUIRED FOR ASSEMBLY

- (1) 3/4" Wrench or Adjustable Wrench
- (1) 11/16" Wrench or Adjustable Wrench
- (1) 5/8" Wrench or Adjustable Wrench
- (2) 9/16" Wrenches or Adjustable Wrenches
- (2) 1/2" Wrenches or Adjustable Wrenches

- Remove the hardware pack and all parts from the carton. Be sure the carton is empty before discarding.
- Lay out all parts and hardware as shown on page 3.

### FOR TRACTORS RESEMBLING FIGURE 1:

- Remove the bolt from the hole on each side of the tractor frame as shown in figure 1.
- Assemble the two shoulder bolts to the now empty holes. **Tighten.** See figure 1.

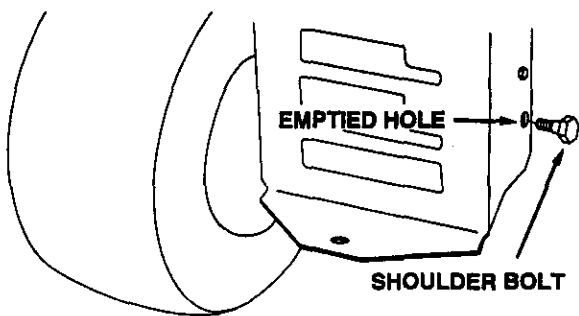


FIGURE 1

- Assemble the right hand and left hand mounting brackets to the hitch bracket using four 5/16" x 3/4" hex bolts and 5/16" hex lock nuts. **Do not tighten yet.** See figure 2.

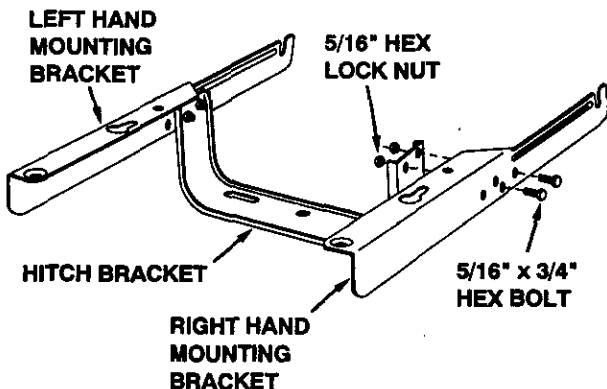


FIGURE 2

### FOR TRACTORS RESEMBLING FIGURE 2:

- Remove the bolt and nut from the hole on each side of the tractor frame as shown in figure 3.
- Assemble two shoulder bolts and 3/8" flanged lock nuts to the now empty holes. **Tighten.** See figure 3.

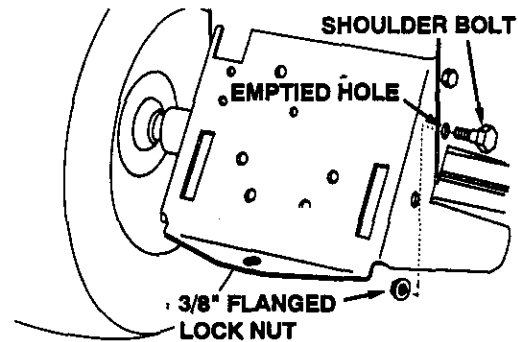


FIGURE 3

- Assemble the right and left mounting brackets to the hitch bracket using four 5/16" x 3/4" hex bolts and 5/16" hex lock nuts. **Do not tighten yet.** See figure 4.

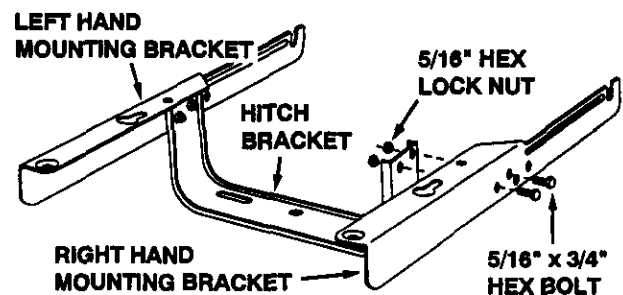


FIGURE 4

### FOR BOTH TYPES OF TRACTORS

- Assemble the brace strap to the mounting brackets using two 5/16" x 3/4" hex bolts and 5/16" hex lock nuts. **Do not tighten yet.** See figure 5.
- Assemble two 3/8" x 1" hex bolts, bushings and 3/8" flanged lock nuts to the slots in the hitch bracket. **Do not tighten yet.** See figure 5.

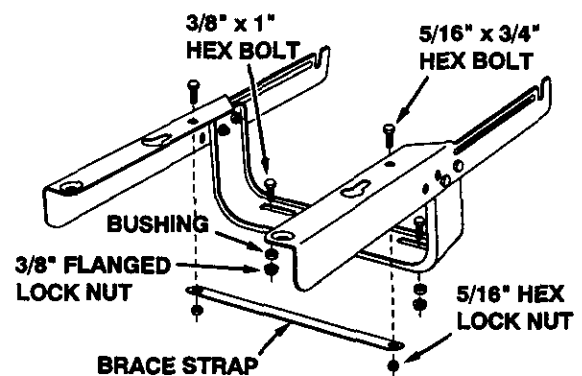


FIGURE 5

- Place the loosely assembled frame onto the rear of the tractor, hooking the notched ends of the mounting brackets under the shoulder bolts. Attach the hitch bracket to the tractor hitch using the clevis pin and a 1/8" hairpin clip. See figure 6.
- Align the frame so that it is straight and level with the tractor. **Tighten** the four 5/16" x 3/4" hex bolts (assembled in figure 4) which fasten the mounting brackets to the hitch bracket .
- Slide the 3/8" x 1" hex bolts along the hitch bracket slots until they are bumped up against the back edge of the tractor hitch. **Tighten**. See figure 6.

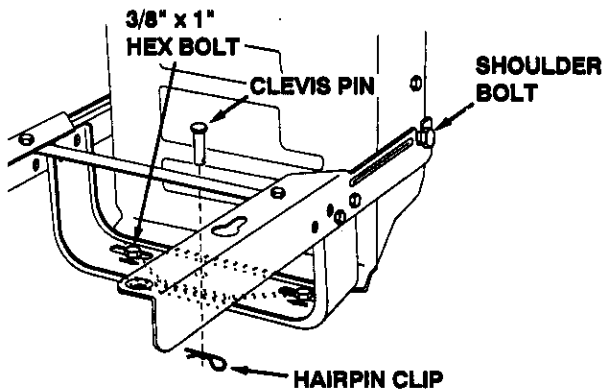


FIGURE 6

- Place the tool box onto the frame so that the heads of the shoulder bolts in the bottom of the tool box fit down into the keyhole slots. Slide the tool box forward, slightly tilting up the back end, until the clevis pins in the bottom of the tool box drop down into the holes at the rear of the frame. Secure the tool box to the frame with two 1/8" hairpin clips through the clevis pins. See figure 7.
- **Tighten** the two bolts (assembled in figure 5) which fasten the brace strap to the mounting brackets. The strap keeps the frame at the correct alignment width when removing and reattaching the frame and the tool box.

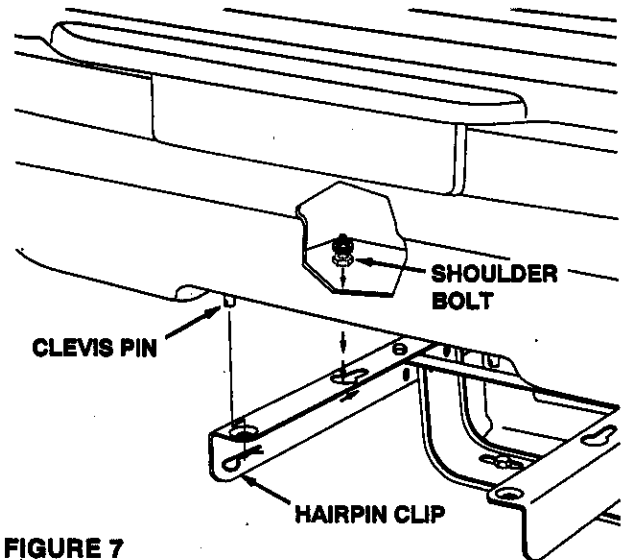


FIGURE 7

## OPERATION



**CAUTION:** Vehicle braking and stability may be affected with the addition of an accessory or an attachment. Be aware of changing conditions on slopes.

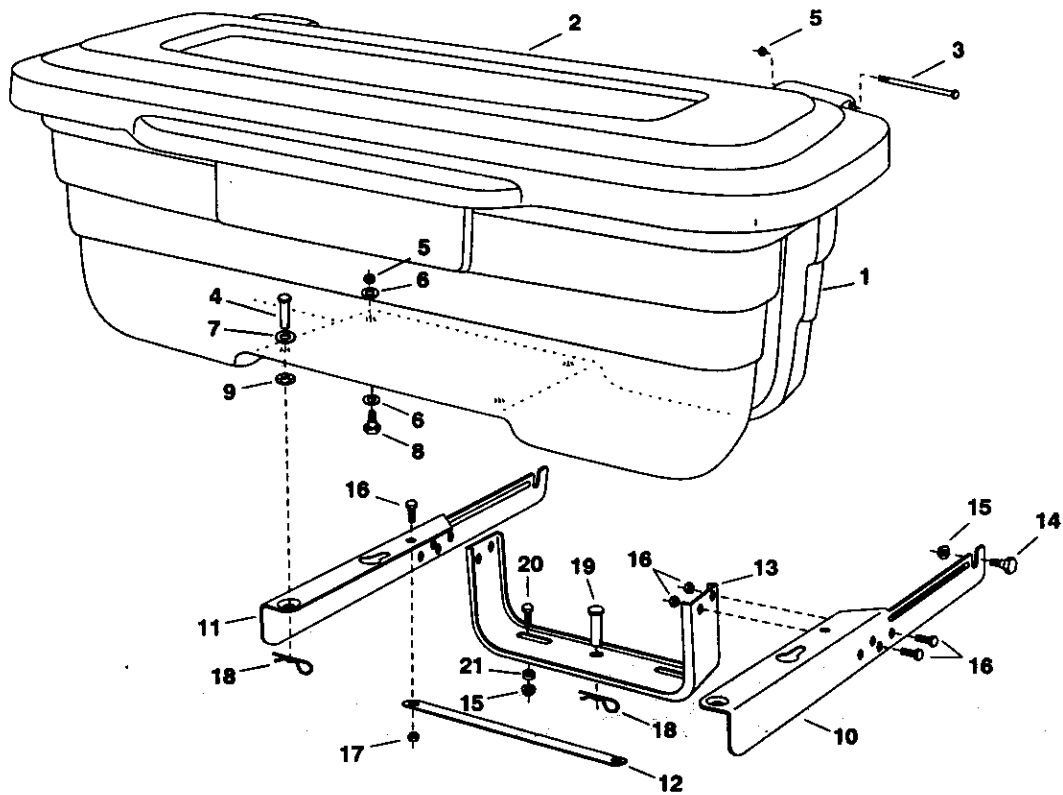
- Engage the tractor clutch smoothly when starting the tractor in motion. Sudden, full throttle starts could cause the front end of the tractor to lift off the ground, causing loss of steering control.
- Fill the Trac Pack with up to 100 pounds of material or tools.
- **Do Not** exceed the 100 pound weight capacity of the Trac Pack.
- To remove the tool box from the Trac Pack frame, remove the 1/8" hairpin clips from the two clevis pin in the bottom of the tool box. Lift up the rear of the tool box enough to raise the pins out of the frame and then pull back and up to remove the heads of the shoulder bolts from the slots in the frame.
- To remove the Trac Pack frame from the tractor, remove the 1/8" hairpin clip and the clevis pin from the hitch bracket. Unhook the frame from the shoulder bolts on the sides of the tractor and remove the frame. The shoulder bolts may be left permanently attached.

## MAINTENANCE/STORAGE

- Rinse or wipe off the Trac Pack after each use.
- Do not store with material in the tool box.
- Store inside in a clean, dry area.

# PARTS

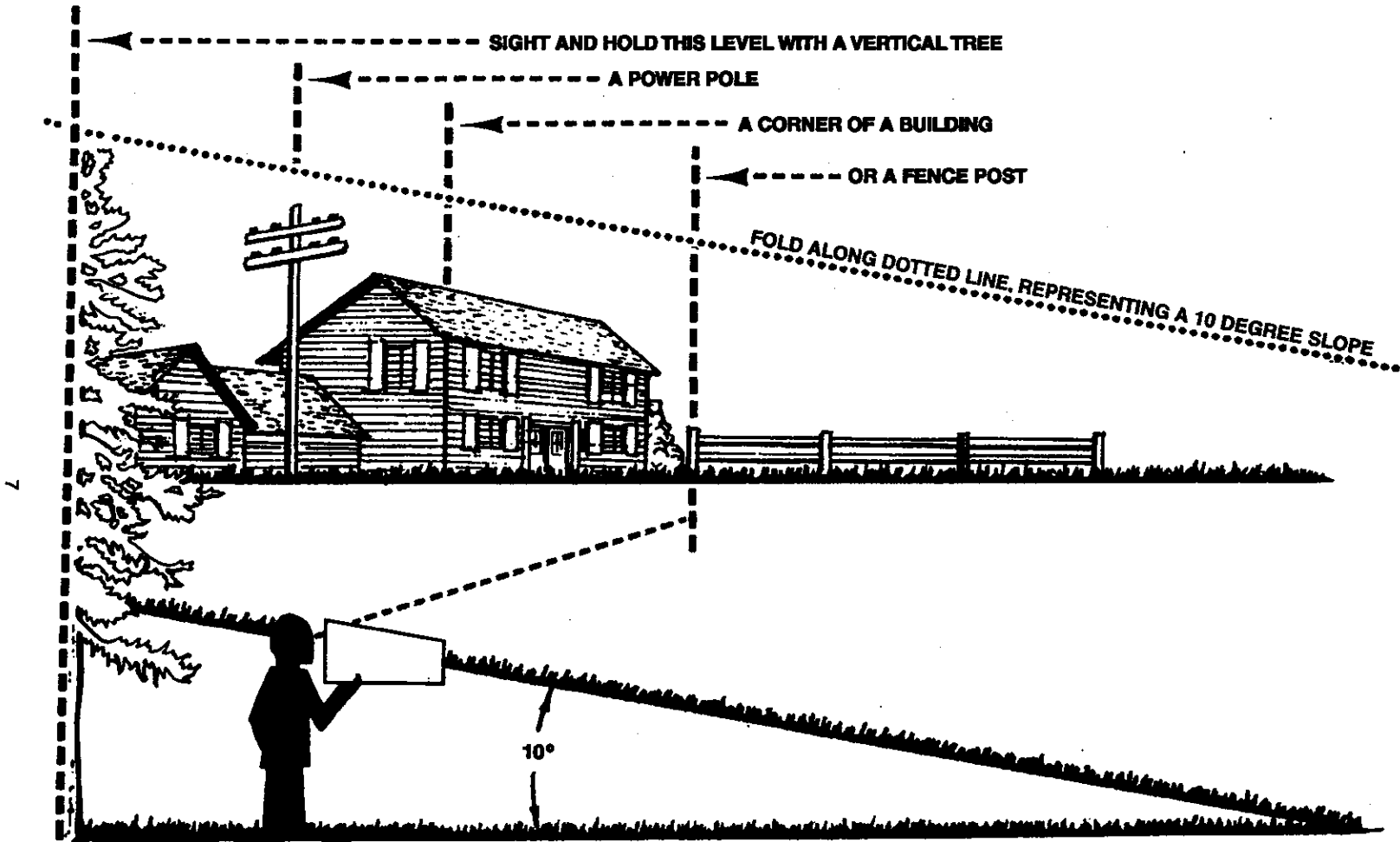
## REPAIR PARTS FOR MODEL 486.24635



REF. NO.	PART NO.	QTY.	DESCRIPTION	REF. NO.	PART NO.	QTY.	DESCRIPTION
1	47492	1	Tool Box	12	24567	1	Brace Strap
2	47493	1	Tool Box Lid	13	24561	1	Hitch Bracket
3	47525	2	Hex Bolt, 1/4-20 x 4-1/2" Lg.	14	738-0234	2	Shoulder Bolt, 3/8-16 x 5/8" Lg.
4	44044	2	Clevis Pin, 3/8" x 3/4" Lg.	15	47572	4	Hex Lock Nut, Flanged 3/8-16 Thd.
5	43013	4	Hex Lock Nut, 1/4-20 Thd.	16	43182	6	Hex Bolt, 5/16-18 x 3/4" Lg.
6	43088	4	Washer, 1/4"	17	43064	6	Hex Lock Nut, 5/16-18 Thd.
7	43070	2	Washer, 3/8"	18	43343	3	Hairpin Clip, 1/8" (#4)
8	738-0255	2	Shoulder Bolt, 1/4-20 x .36" Lg.	19	711-0309	1	Clevis Pin, 5/8" x 1.2" Lg.
9	46556	2	Push Nut, 3/8"	20	43001	2	Hex Bolt, 3/8-16 x 1" Lg.
10	24560	1	Mounting Bracket, Right Hand	21	23625	2	Bushing, Pivot
11	24559	1	Mounting Bracket, Left Hand		47494	1	Owners Manual

# SLOPE GUIDE

(Keep this sheet in a safe place for future reference.)  
Use this guide to determine if a slope is safe for the operation of your tractor and Trac Pack.  
Refer also to the instructions in your vehicle owners manual.



**CAUTION:** Do not operate your tractor with Track Pack on slopes in excess of 10 degrees. Operate up and down slopes, never across the face of slopes. Avoid sudden turns or maneuvers.

**For in-home major brand repair service:**

Call 24 hours a day, 7 days a week

**1-800-4-MY-HOME<sup>SM</sup>** (1-800-469-4663)

**Para pedir servicio de reparación a domicilio – 1-800-676-5811**

In Canada for all your service and parts needs call – **1-800-665-4455**  
Au Canada pour tout le service ou les pièces

**For the repair or replacement parts you need:**

Call 7 am – 7 pm, 7 days a week

**1-800-366-PART** (1-800-366-7278)

**Para ordenar piezas con entrega a domicilio – 1-800-659-7084**

**For the location of a Sears Parts and Repair Center in your area:**

Call 24 hours a day, 7 days a week

**1-800-488-1222**

**For information on purchasing a Sears Maintenance Agreement  
or to inquire about an existing Agreement:**

Call 9 am – 5 pm, Monday – Saturday

**1-800-827-6655**



**The Service Side of Sears™**



## Free Manuals Download Website

<http://myh66.com>

<http://usermanuals.us>

<http://www.somanuals.com>

<http://www.4manuals.cc>

<http://www.manual-lib.com>

<http://www.404manual.com>

<http://www.luxmanual.com>

<http://aubethermostatmanual.com>

Golf course search by state

<http://golfingnear.com>

Email search by domain

<http://emailbydomain.com>

Auto manuals search

<http://auto.somanuals.com>

TV manuals search

<http://tv.somanuals.com>