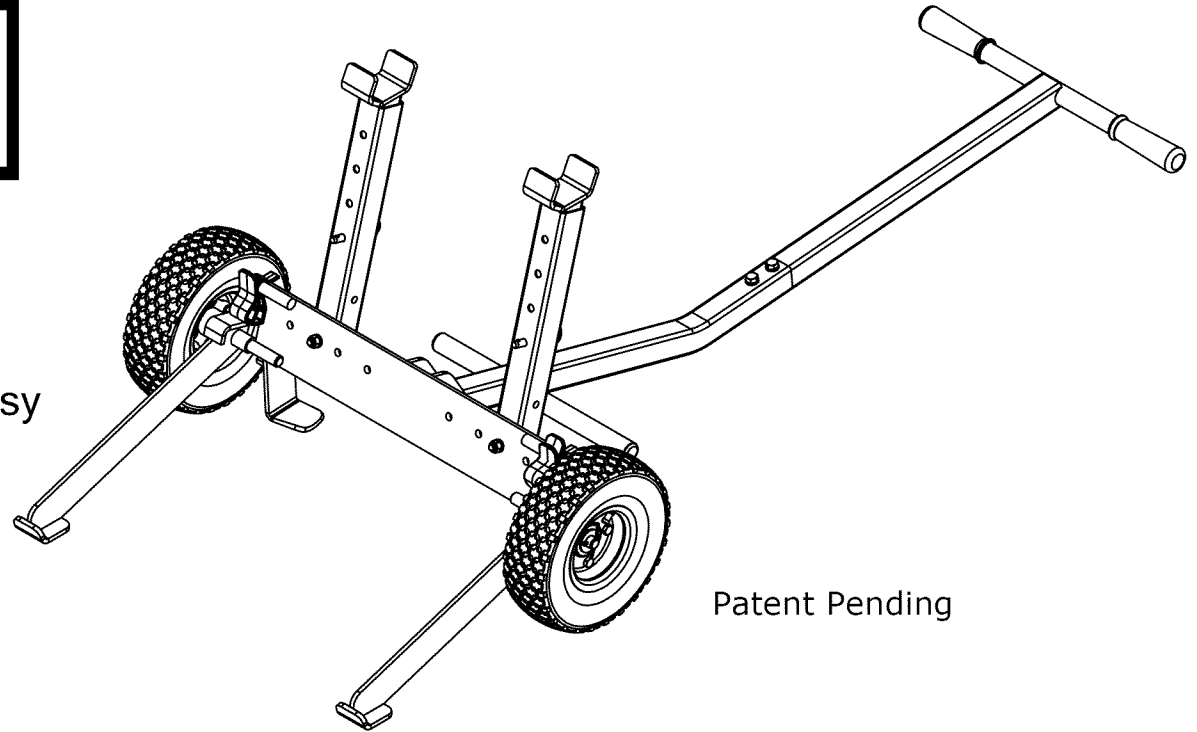


CRAFTSMAN®

TRACTOR LIFT

Model Number 610.24610

- Provides access to mower deck for easy cleaning and service
- Fits all 1985 through current models of CRAFTSMAN front engine tractors and zero turn mowers
- Adjustable arms for greater versatility
- Extra heavy duty steel construction
- If you read and follow these instructions, this product can be assembled in approximately 20 minutes
- Assemble unit on cardboard to avoid scratches or damage to parts
- Can easily be assembled by one person
- All fasteners for this Tractor Lift can be purchased at Sears or any hardware store



Patent Pending



- If there are any missing parts, or if you have any questions on assembly, operation, maintenance or safety, please call

Sears, Roebuck and Co., Hoffman Estates, IL 60179 U.S.A.
Visit our Craftsman website: www.sears.com/craftsman

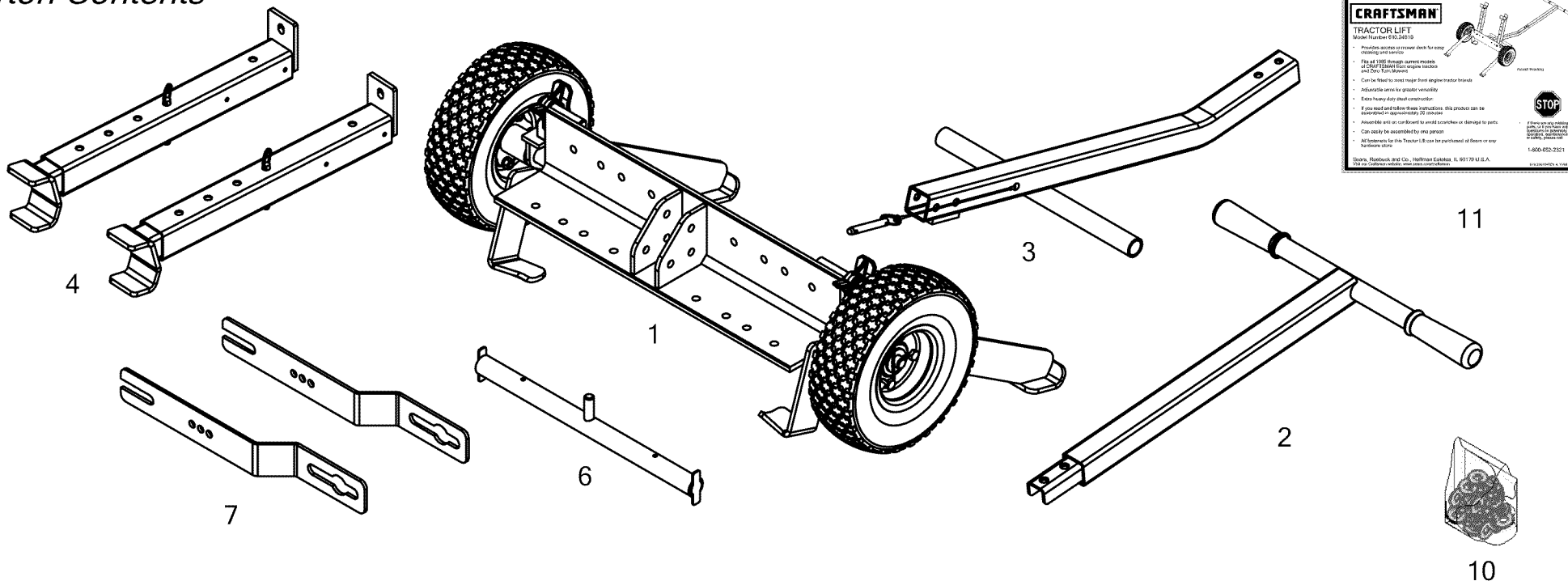
WARNINGS

- Always check to ensure stabilizers are properly in place and stabilizer latches are engaged before starting any work on tractor.
- Read and understand all safety and operating instructions before using the tractor lift. Never allow anyone unfamiliar with these instructions to use the tractor lift.
- Read and understand all safety and operating instructions provided by the tractor's manufacturer before using tractor lift.
- Never lay under the tractor or mowing deck.
- When using lift, keep all bystanders, including children, away.
- This tractor lift must be only used for lifting and lowering to and from a level and stable surface.
- Never use in wet conditions.
- Do not attempt to lift the front and back of the tractor at the same time.
- Do not use tractor lift as an automotive lift, or for any other use for which it is not intended or designed.
- If tractor lift is bowing while lifting or lowering your tractor, which indicates an overload condition, remove the tractor immediately.
- Do not attempt to lift or lower any power equipment while motor is running.
- Never engage blades while using tractor lift.
- Always disconnect spark plug wire from tractor before beginning any work on tractor.
- Do not exceed the rated capacity of the tractor lift - 275 lbs.
- Failure to follow these warnings may result in property damage and/or serious bodily injury.

SAFETY INSTRUCTIONS

- Be sure to read and follow all safety instructions and warnings. Failure to follow these instructions may result in damage to the product and/or serious personal injury.
- Danger of serious personal injury exists. Serious personal injury can occur when using a lifting device.
- Never attempt to ride any vehicle up or down the tractor lift.
- Do not climb onto tractor while tractor is in the elevated position.
- When working on the front of the tractor always place wheel chocks in back of the rear wheels/tires.
- Always raise and lower tractor lift in a controlled fashion; do not allow the tractor to drop too quickly, damage could occur.
- Make sure lifting arms are aligned and set to the proper distance apart so that the equipment being loaded is well balanced on the lift.
- Do not remove warning decals from product.
- Before each use, always check for any worn, loose, or damaged parts on the tractor lift. If any damage is present, DO NOT USE THE TRACTOR LIFT.
- Periodically check the fasteners to make sure they are still tight and in place.
- Keep lift surface clean by occasionally cleaning with water and any mild detergent.
- Do not add to or try to modify the tractor lift in any way. Any modifications will void any warranties.
- Failure to abide by the warnings and read the safety instructions may result in loss of load, damage to lift and/or property, serious personal and/or fatal injury.

Carton Contents



USER INSTRUCTIONS
CRAFTSMAN
TRACTOR LIFT
 Model Number 510016

- Provides access to rear deck for easy cleaning and service.
- Fits all 1995 through current models of 2000 Series 3000 series tractors and 2000 Farm Max models.
- Can be used to tow major front engine tractor brands.
- Adjustable arms for greater versatility.
- Extra heavy duty steel construction.
- If you read and follow these instructions, this product can be assembled in approximately 20 minutes.
- Assembly will be completed to avoid scratches or damage to parts.
- Can only be assembled by one person.
- All fasteners for this Tractor Lift are for purchase at Sears or any hardware store.

STOP

©2005, Huskvarna and Co., Hoffman Estates, IL 60139 U.S.A.
 1-800-652-2321

REF NO	QTY	PART NUMBER	DESCRIPTION	REF NO	QTY	PART NUMBER	DESCRIPTION
1	1	510016	Frame Assembly	6	1	510052	Bar, Lifting
2	1	510023	Handle, Top	7	2	410133	Bracket, Tractor
3	1	510034	Handle, Bottom	10	1	310037	Hardware Bag
4	2	51008	Lift Tube Assembly	11	1	310041	Assembly Manual

OPERATION

Tractor Lift can be used out of the box on all Craftsman tractors with bumpers or brush guards. Tractor Lift mounting hardware is provided if your tractor does not have a bumper or brush guard.

TOOLS REQUIRED FOR ASSEMBLY

- 9/16" Wrench and/or Socket
- Adjustable wrench

MAINTENANCE

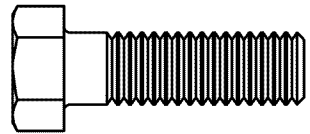
Store unit in a clean dry place.

Recommended tire pressure - 30 PSI.

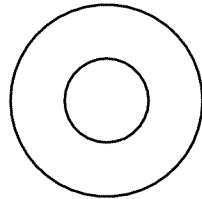
Before each use:

- Always check tire pressure.
- Always inspect unit for damage.
- Always check fasteners for tightness.

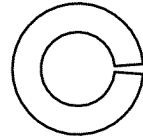
Hardware Contents



29



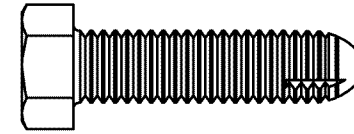
24



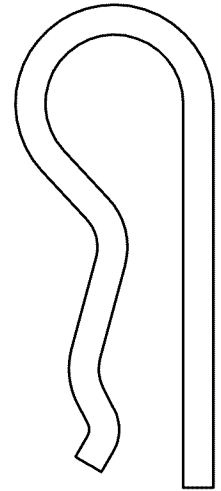
23



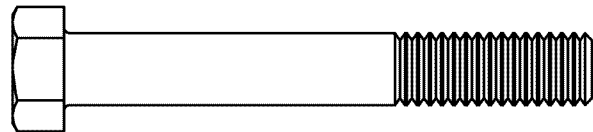
25



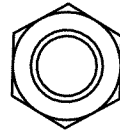
28



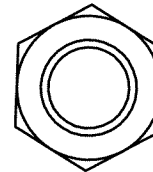
26



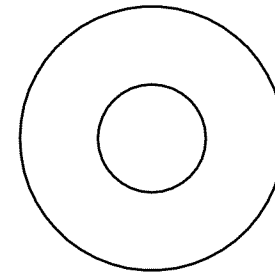
22



27



31



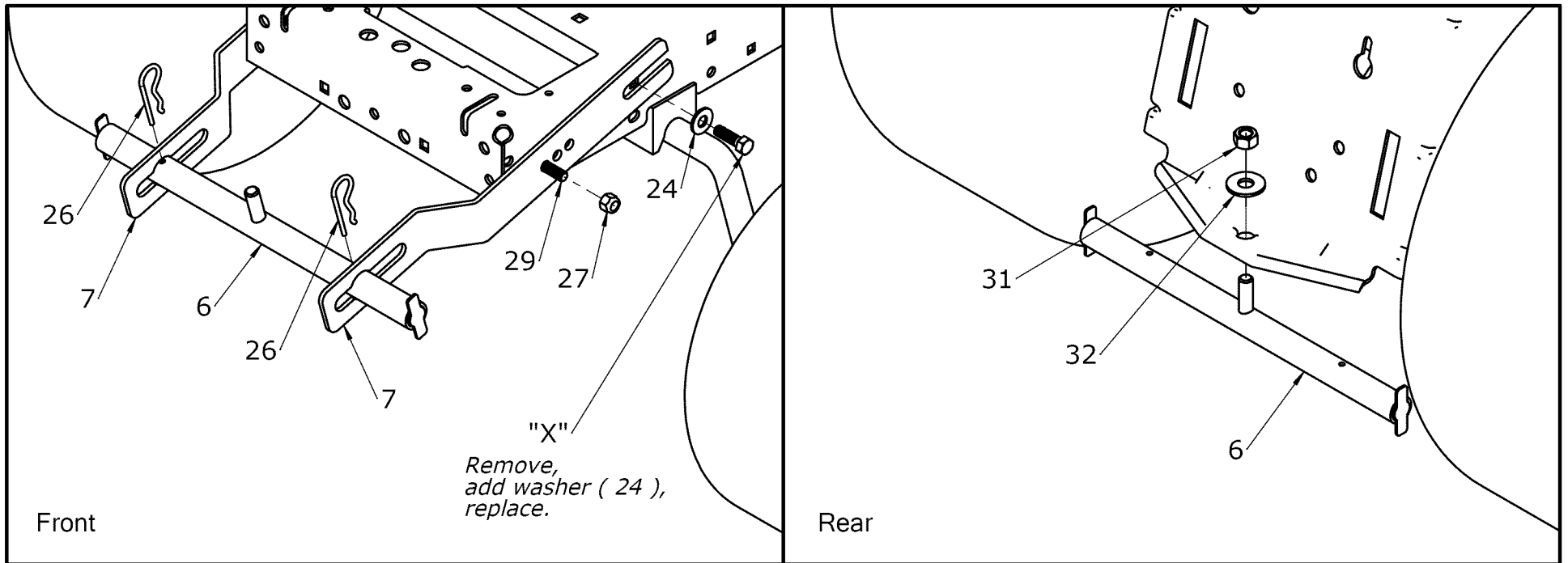
32

REF NO	QTY	PART NUMBER	DESCRIPTION	REF NO	QTY	PART NUMBER	DESCRIPTION
22	3	310051	3/8"-16 x 2-3/4" Hex Bolt	28	2	310054	3/8"-16 x 1-1/2" Self-thread Bolt
23	7	310072	3/8" Split Lock Washer	29	8	310055	3/8"-16 x 1-1/4" Hex Bolt
24	7	310073	3/8" USS Flat Washer	31	1	310063	1/2"-13 Hex Nut
25	5	310062	3/8"-16 Hex Nut	32	1	310074	1/2" USS Flat Washer
26	2	300082	Hairpin Cotter				
27	4	310061	3/8"-16 Nyloc Hex Nut				

FOR MISSING PARTS, Call 1-800-652-2321, Monday - Friday, 8 a.m. - 5 p.m. E.S.T.

Setting up Lift Mounting Hardware

Tractor Lift can be used out of the box on all Craftsman tractors with bumpers or brush guards. For tractors without bumper or brush guard, Tractor Lift mounting hardware is provided. Follow the steps below:



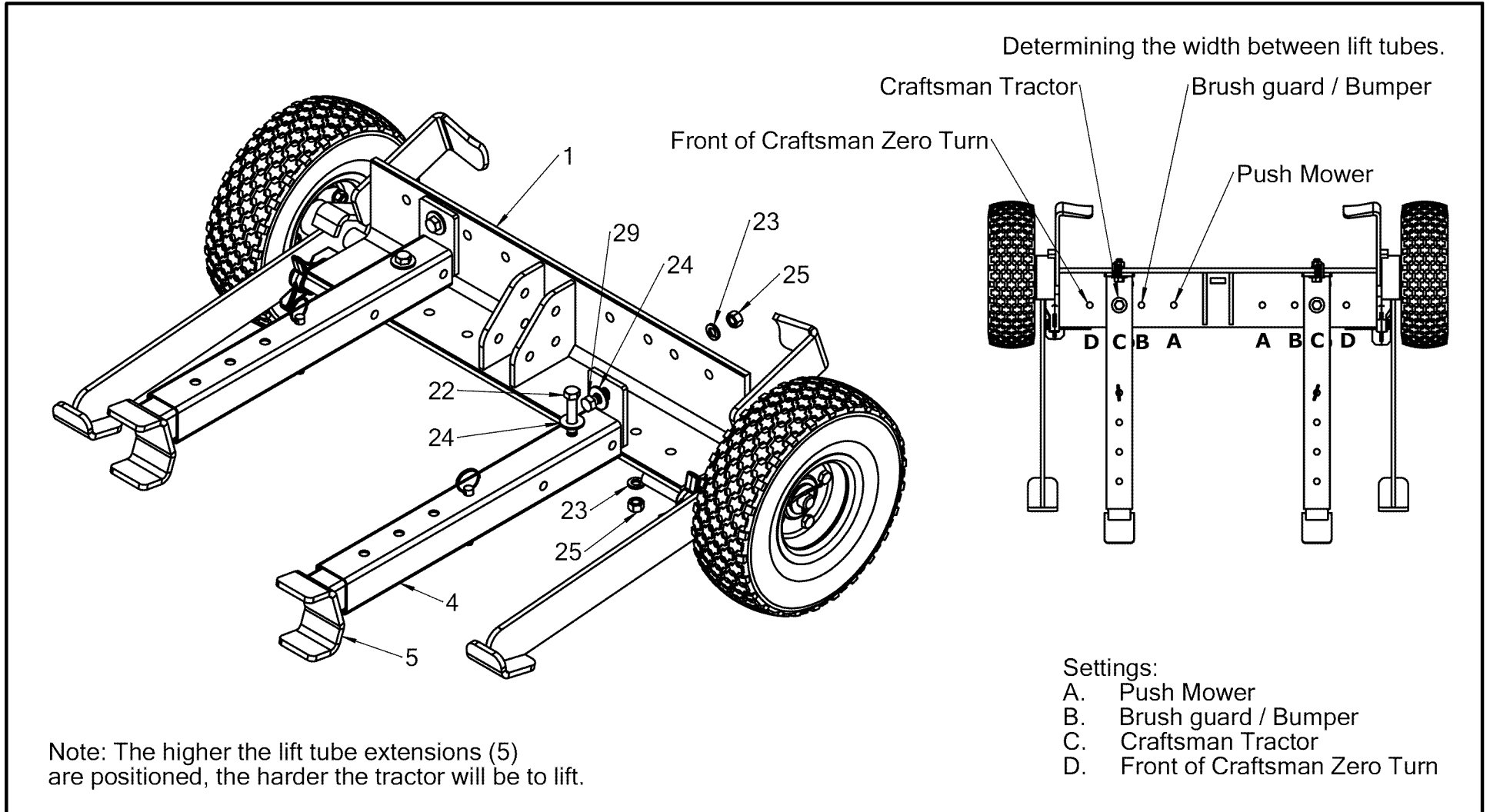
- Remove existing bolt "X" and set aside. If tractor does not have this bolt, use supplied 3/8" x 1-1/4" bolt and 3/8" nyloc nut.
- Insert bolt (29) through inside front hole of frame, through tractor bracket (7) and secure with nyloc nut (27).
- Add flat washer (24) under head of bolt removed in earlier step and reinsert through tractor mounting bar and tighten.
- For LT1000 & LT2000 series tractors, use self-thread bolts (28) in place of bolt (29) and nut (27).
- Slide lifting bar (6) through cut-out in tractor brackets.
- Pin lifting bar in place with one hairpin cotter (26) on each side, inside of tractor brackets (7).
- Place lifting bar (6) under rear tractor hitch and slide threaded stud through hole.
- Secure in place with flat washer (32) and hex nut (31).

Assemble Tractor Lift

Attach Lift Tubes to Angle Frame

- Lift tubes come pre-assembled. Attach lift tube assemblies (4) to angle frame (1) using bolts (22), flat washers (24), split lock washers (23) and hex nuts (25).
- Secure rear of lift tube assembly (4) to angle frame (1) using bolts (29), flat washers (24), split lock washers (23) and hex nuts (25).

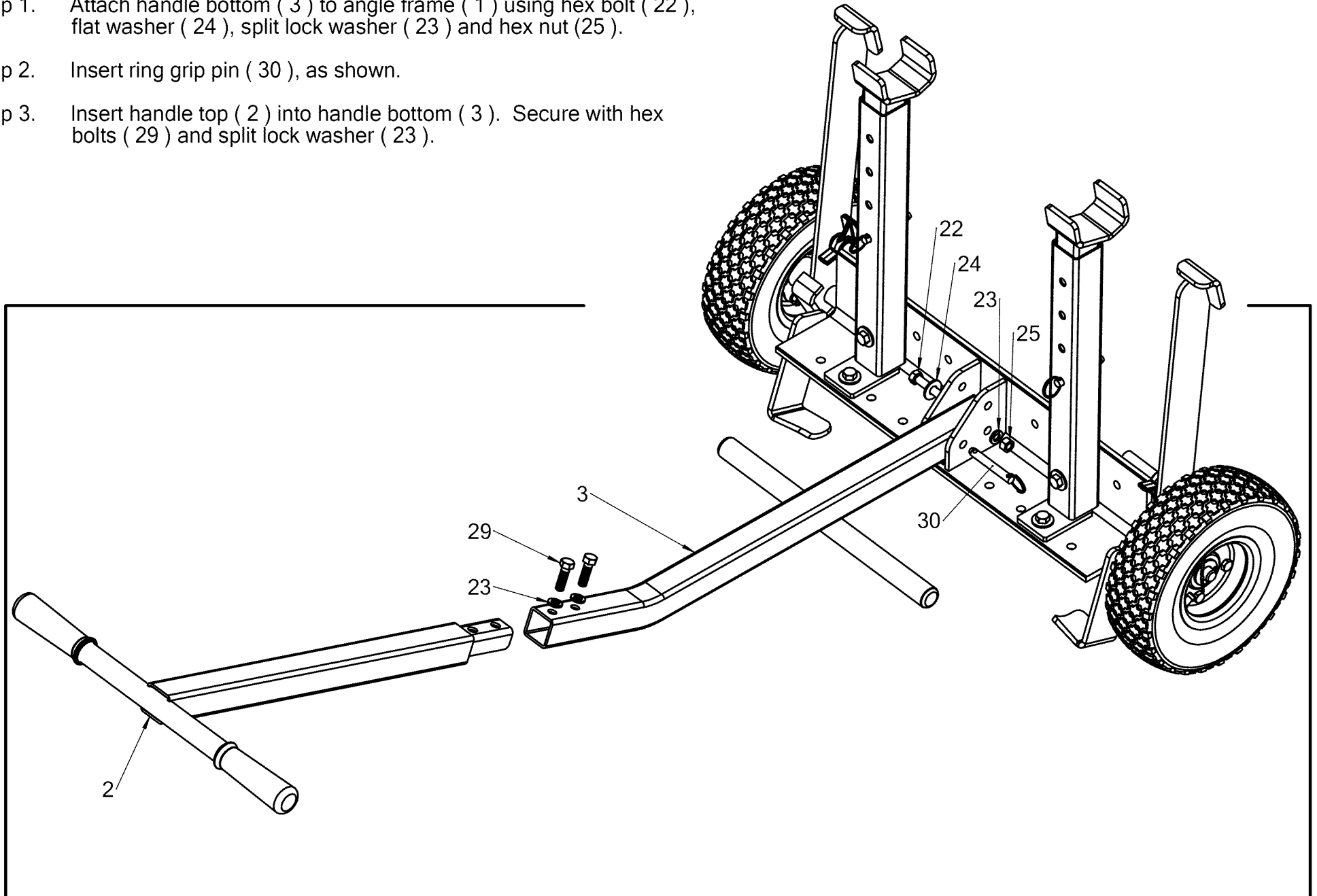
Note: Over-tightening receiver bolts (22) could cause damage to lift tubes (4).



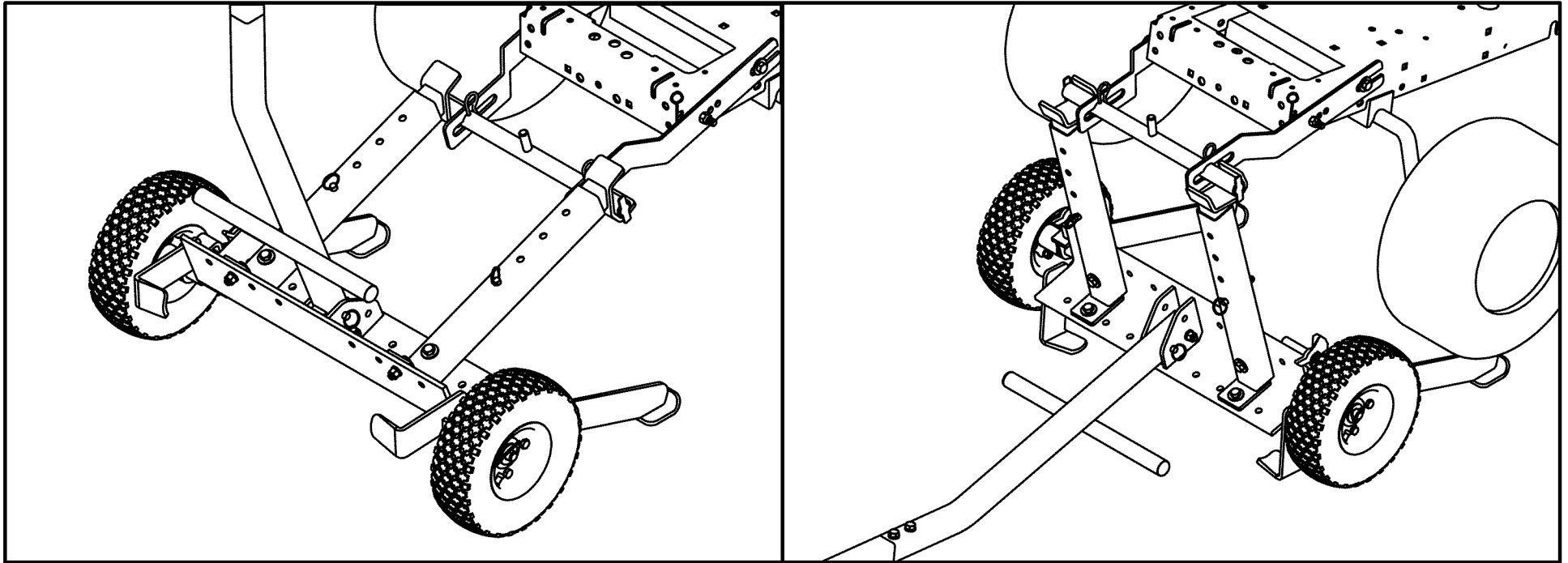
Assemble Tractor Lift

Attach Handle to Angle Frame

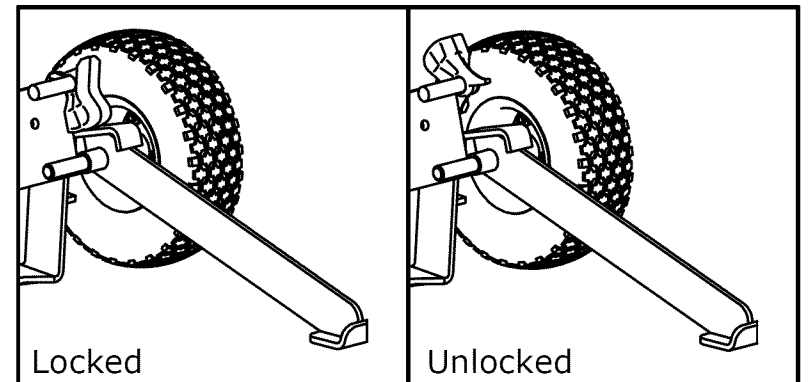
- Step 1. Attach handle bottom (3) to angle frame (1) using hex bolt (22), flat washer (24), split lock washer (23) and hex nut (25).
- Step 2. Insert ring grip pin (30), as shown.
- Step 3. Insert handle top (2) into handle bottom (3). Secure with hex bolts (29) and split lock washer (23).



Using the Tractor Lift

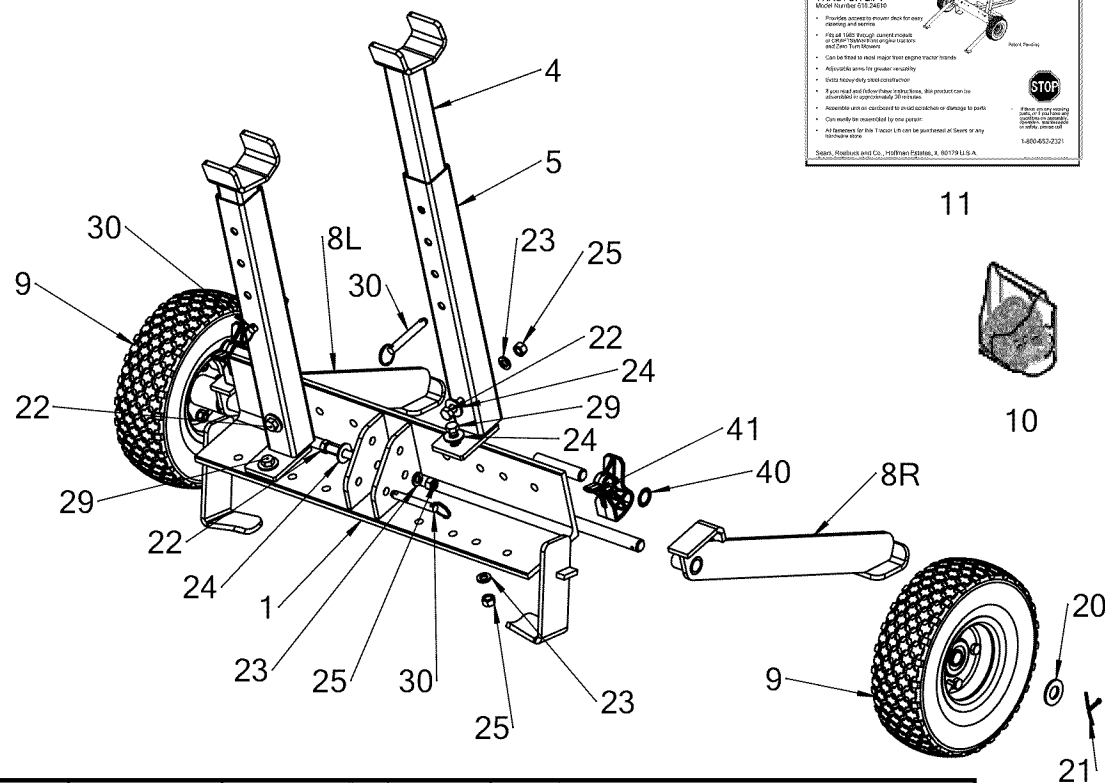
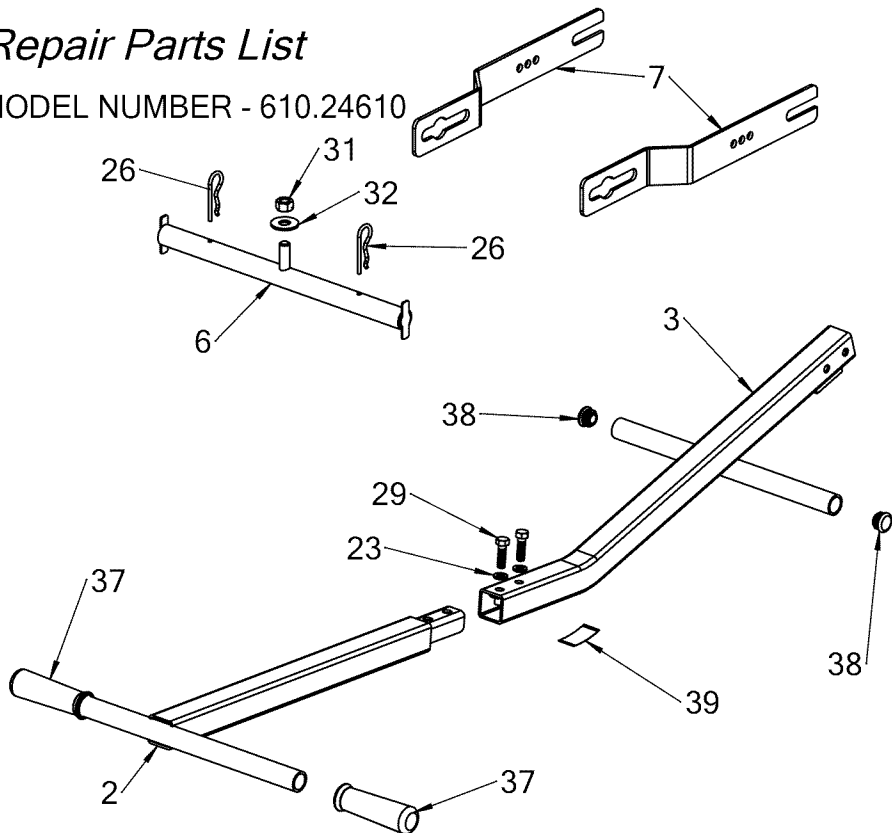


- Center Tractor Lift in front of tractor.
- Check that both stabilizers are resting on the ground as shown.
- Align lift tube claws with lifting bar or bumper/brush guard and roll Tractor Lift forward to engage.
- Check that claws are securely hooked under the lifting bar or bumper/brush guard.
- Place foot onto foot bar and apply continuous forward pressure with foot while pulling down on tractor lift handle.
- Once lifted, the weight of the tractor will automatically force the handle down into the correct position.
- Always check that stabilizer latches are in the locked position after lifting tractor.
- Stabilizer latches must be flipped to the unlocked position before lowering tractor.



Repair Parts List

MODEL NUMBER - 610.24610



REF. NO.	PART NO.	AMT.	DESCRIPTION	REF. NO.	PART NO.	AMT.	DESCRIPTION
1	510012	1	Frame	23	310072	7	3/8" Split Lock Washer
2	510022	1	Handle, Top	24	310073	7	3/8" USS Flat Washer
3	510032	1	Handle, Bottom	25	310062	5	3/8"-16 Hex Nut
4	51004	2	Lift Tube	26	300082	2	Hairpin Cotter .148 Wire, 3-5/16"
5	51007	2	Receiver Tube	27	310061	4	3/8"-16 Nylok Hex Nut
6	510052	1	Bar, Lifting	28	310054	2	***3/8"-16 x 1-1/2" Self-thread Bolt
7	410133	2	Bracket, Tractor	29	310055	8	***3/8"-16 x 1-1/4" Hex Bolt GR5
8R	510061	1	Stabilizer, Right	30	310081	3	Pin, Quick-Release
8L	510062	1	Stabilizer, Left	31	310063	1	1/2"-13 Hex Nut
9	310011	2	Wheel, 10" x 5/8"	32	310074	1	1/2" USS Flat Washer
10	310037	1	Hardware Bag	37	310181	2	Grip, Handle
11	310041	1	Assembly Manual	38	310221	2	Plug, 1" Tube
20	310071	2	Washer, 5/8" SAE	39	31026	1	Pad, Scuff
21	300081	2	Cotter Pin 1/8" x 1-1/2"	40	310341	2	Retaining Ring, 5/8"
22	310051	3	3/8"-16 x 2-3/4" Hex Bolt GR5	41	31041	2	Latch, Safety

***Not Shown, see hardware bag contents.

FOR MISSING PARTS, Call 1-800-652-2321, Monday - Friday, 8 a.m. - 5 p.m. E.S.T.

CRAFTSMAN THREE YEAR LIMITED WARRANTY

If this Craftsman product fails due to a manufacturer's defect within three years from the date of purchase, return it to any Sears store or other Craftsman outlet in the United States for free replacement.

This warranty does not provide product replacement due to wearing off or fading of product paint, or wearing out or failure of product tires or wheels.

This warranty is void if this product is ever used for commercial or rental purposes.

This warranty gives you specific legal rights, and you may also have other rights which may vary from state to state.

Sears, Roebuck and Co., Hoffman Estates, IL 60179.

PRODUCT RECORD

In the space below record the model number and purchase date of your cart. The model number can be found on the front cover of the user guide.

Model Number _____.

Purchase Date _____.

Keep this booklet and your Sears receipt in a safe place for future reference.

ORDERING INFORMATION

After the three year warranty period all parts may be ordered by calling Sears Service at 1-800-4MY-HOME (1-800-469-4663).

When ordering repair parts, always give the following information:

- Product - _____.
- Model Number - _____.
- Part Number - * _____.
- Part Description - * _____.

*Found on the repair part list. Reference page 9.

NOTES

Get it fixed, at your home or ours!

Your Home

For expert troubleshooting and home solutions advice:

manage my home

www.managemyhome.com

For repair – **in your home** – of **all** major brand appliances, lawn and garden equipment, or heating and cooling systems, **no matter who made it, no matter who sold it!**

For the replacement parts, accessories and owner's manuals that you need to do-it-yourself.

For Sears professional installation of home appliances and items like garage door openers and water heaters.

1-800-4-MY-HOME[®] (1-800-469-4663)

Call anytime, day or night (U.S.A. and Canada)

www.sears.com www.sears.ca

Our Home

For repair of carry-in items like vacuums, lawn equipment, and electronics, call anytime for the location of your nearest

Sears Parts & Repair Service Center

1-800-488-1222 (U.S.A.)

www.sears.com

1-800-469-4663 (Canada)

www.sears.ca

To purchase a protection agreement on a product serviced by Sears:

1-800-827-6655 (U.S.A.)

1-800-361-6665 (Canada)

Para pedir servicio de reparación a domicilio, y para ordenar piezas:

1-888-SU-HOGAR[®]

(1-888-784-6427)

Au Canada pour service en français:

1-800-LE-FOYER^{MC}

(1-800-533-6937)

www.sears.ca

Sears

® Registered Trademark / TM Trademark / SM Service Mark of Sears Brands, LLC

® Marca Registrada / TM Marca de Fábrica / SM Marca de Servicio de Sears Brands, LLC

^{MC} Marque de commerce / ^{MD} Marque déposée de Sears Brands, LLC

© Sears Brands, LLC

Free Manuals Download Website

<http://myh66.com>

<http://usermanuals.us>

<http://www.somanuals.com>

<http://www.4manuals.cc>

<http://www.manual-lib.com>

<http://www.404manual.com>

<http://www.luxmanual.com>

<http://aubethermostatmanual.com>

Golf course search by state

<http://golfingnear.com>

Email search by domain

<http://emailbydomain.com>

Auto manuals search

<http://auto.somanuals.com>

TV manuals search

<http://tv.somanuals.com>