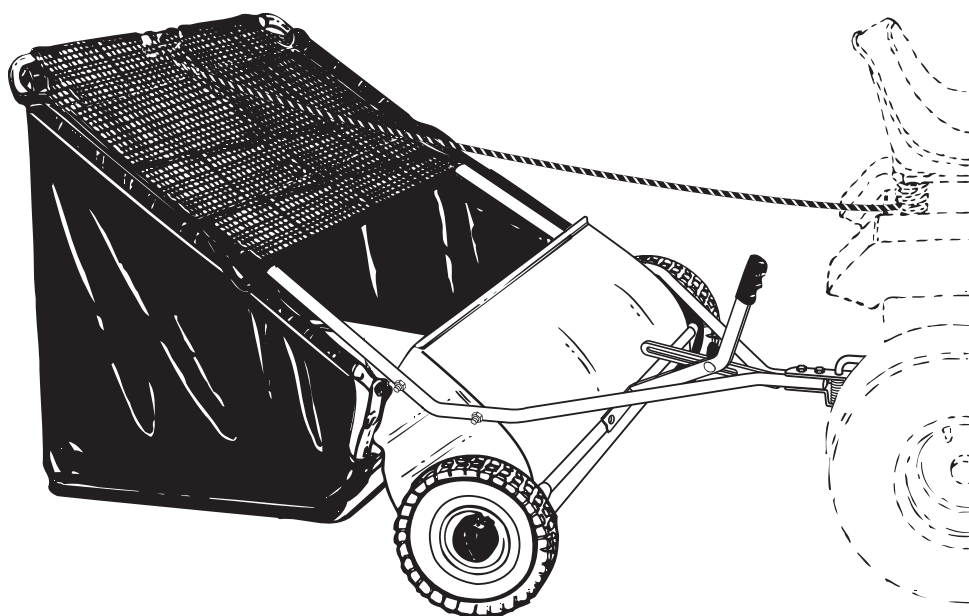


# Owner's Manual

# CRAFTSMAN®

## 42" HIGH PERFORMANCE LAWNSWEEPER

Model No. 486.242112



### CAUTION:

Before using this product, read this manual and follow all Safety Rules and Operating Instructions.

- Safety
- Assembly
- Operation
- Maintenance
- Parts

### IMPORTANT - READ THIS FIRST!!!

For Missing Parts or Assembly Questions

Please Call 866-576-8388

Mon.-Fri. 7 am - 5 pm CST.

FAX 217-728-2032 or e-mail [info@agri-fab.com](mailto:info@agri-fab.com)

Missing parts will be sent UPS in 24 hours directly to your home.

Sears, Roebuck and Co., Hoffman Estates, IL 60179 U.S.A.

[www.sears.com/craftsman](http://www.sears.com/craftsman)

PRINTED IN U.S.A.

FORM NO. 49535 (REV. 1/05)

# TABLE OF CONTENTS

Safety Rules .....	1	Maintenance Schedule .....	12
Full Size Hardware Chart .....	3	Storage .....	12
Carton Contents .....	4	Service and Adjustments.....	13
Sweeper Assembly Instructions .....	5	Troubleshooting .....	13
Hopper Assembly Instructions.....	7	Repair Parts Illustration .....	14
Operation.....	11	Repair Parts List.....	15
		Parts Ordering/Service .....	Back Cover

## WARRANTY

### LIMITED TWO YEAR WARRANTY ON CRAFTSMAN LAWSWEEPER

For two years from the date of purchase, when this Lawnsweeper is maintained and lubricated according to the operating and maintenance instructions in the owner's manual, Sears will repair free of charge any defect in material or workmanship.

This warranty does not cover repairs necessary because of operator abuse or negligence, including the failure to maintain the equipment according to instructions contained in the owner's manual; and Lawnsweeper used for commercial or rental purposes.

WARRANTY SERVICE IS AVAILABLE BY CONTACTING THE NEAREST SEARS SERVICE CENTER/DEPARTMENT IN THE UNITED STATES.

This warranty applies only while this product is in the United States.

This warranty gives you specific legal rights, and you may also have other rights which vary from state to state. Sears, Roebuck and Co. D/817WA, Hoffman Estates, Chicago, IL 60179



## SAFETY



Any power equipment can cause injury if operated improperly or if the user does not understand how to operate the equipment. Exercise caution at all times, when using power equipment.

1. Read the vehicle and sweeper owners manuals and know how to operate your vehicle and sweeper before using this sweeper attachment. Always instruct other users before they operate the sweeper.
2. Do not permit children to operate sweeper.
3. Do not permit anyone to ride on sweeper.
4. Never attach the hopper rope to any part of your body or clothing! Never hold onto the rope while towing the sweeper! Attach the rope to the towing vehicle to keep it away from wheels and rotating parts.
5. Operate the sweeper at reduced speed on rough terrain, near ditches and on hillsides to prevent loss of control.
6. Vehicle braking and stability may be affected with the attachment of this sweeper. Do not fill sweeper to maximum capacity without checking the capability of the towing vehicle to safely pull and stop with the sweeper attached. **Stay off of steep slopes.**
7. Stop and inspect vehicle and sweeper for damage after striking an object. Repair any damage before continuing operation.
8. Keep sweeper away from fire. Excessive heat can damage the brushes and hopper bag and could cause the bag and its contents to burn.
9. Before storing the sweeper, always empty the hopper bag to avoid spontaneous combustion.
10. Follow maintenance and lubrication instructions as outlined in the maintenance section of this manual.



Look for this symbol to point out important safety precautions. It means--**Attention!! Become alert!!** Your safety is involved.

The model and serial numbers will be found on a decal attached to the lawnsweeper.

You should record both the serial number and the date of purchase and keep in a safe place for future reference.

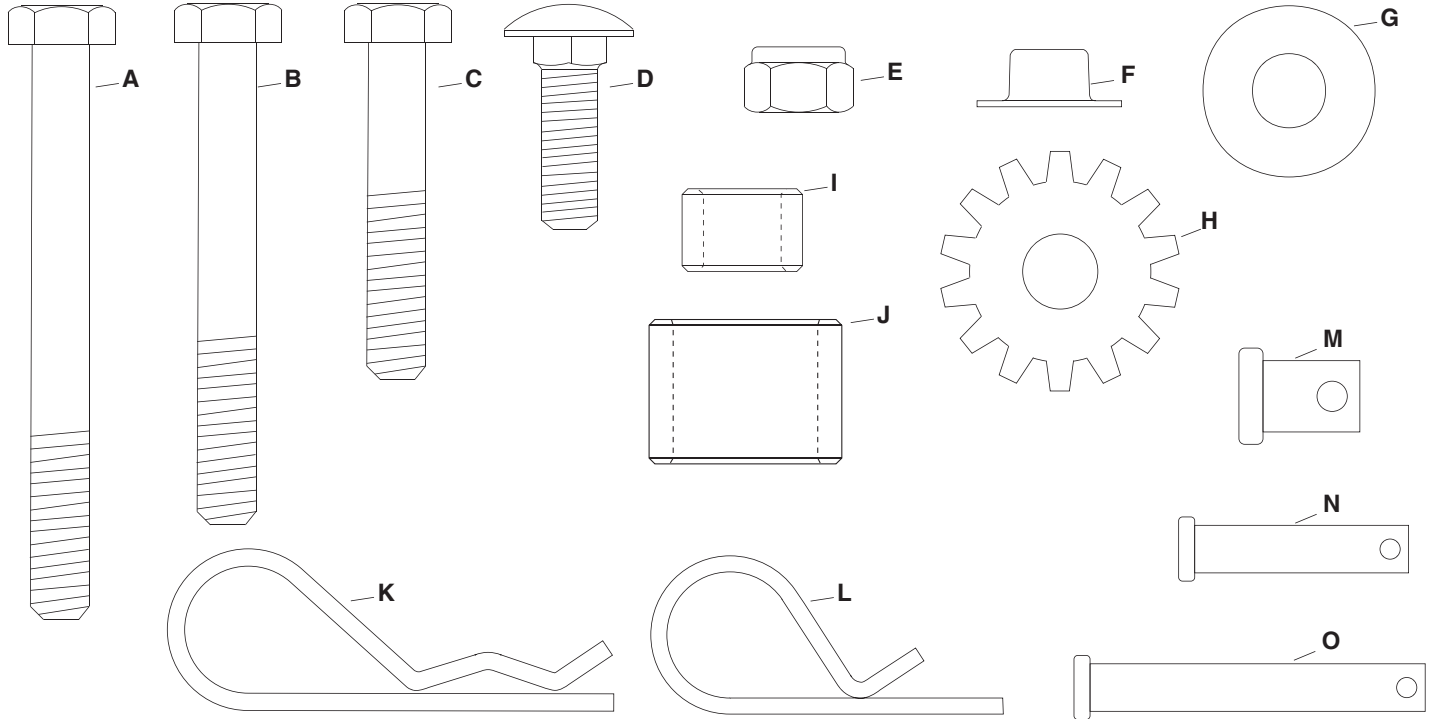
MODEL NUMBER: 486.242112

SERIAL NUMBER: \_\_\_\_\_

DATE OF PURCHASE: \_\_\_\_\_

# HARDWARE PACKAGE CONTENTS

## SHOWN FULL SIZE



## NOT SHOWN FULL SIZE

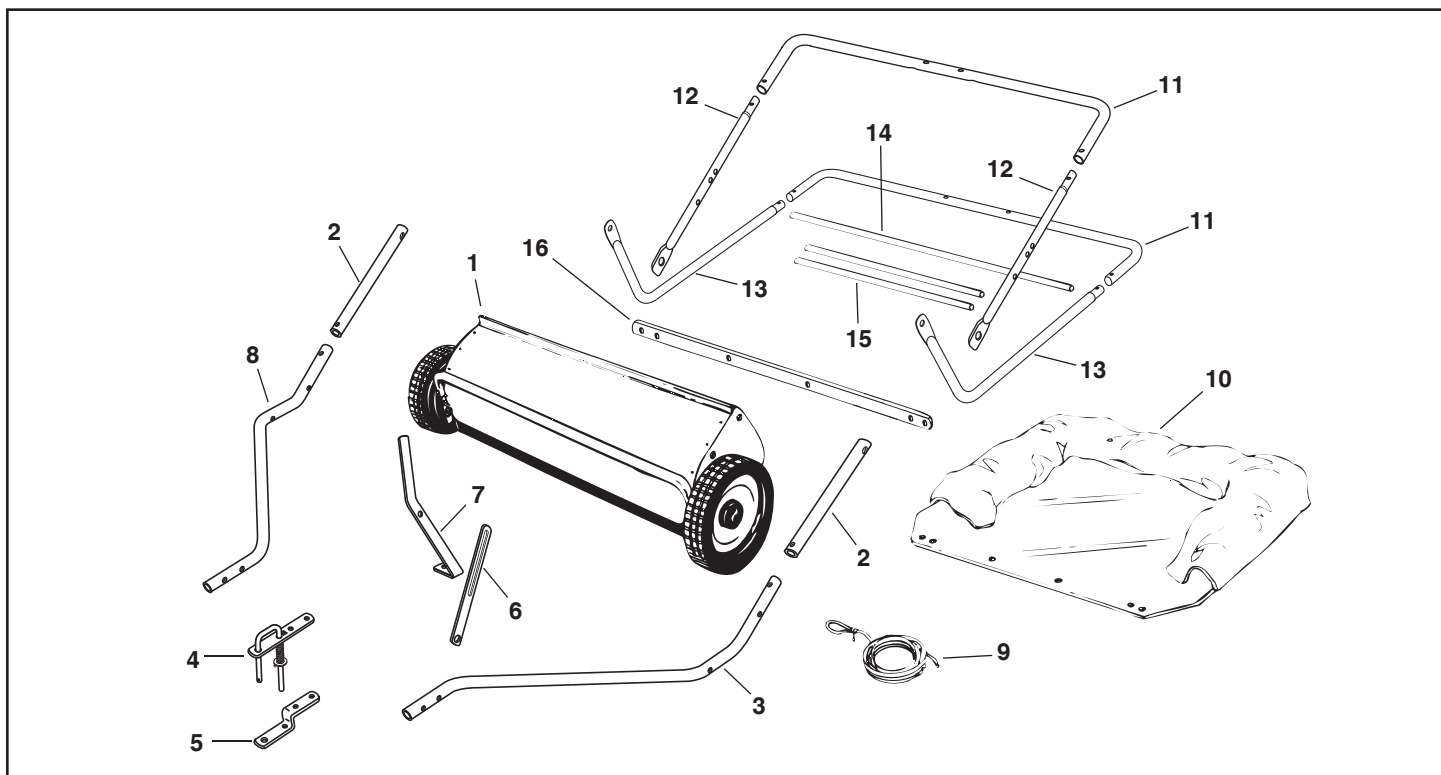


REF.	QTY.	DESCRIPTION	REF.	QTY.	DESCRIPTION
A	2	Hex Bolt, 5/16-18 x 3" Lg.	J	2	Hitch Spacer, 3/4"
B	2	Hex Bolt, 5/16-18 x 2-1/2" Lg.	K	1	Hairpin Cotter, 1/8"
C	4	Hex Bolt, 5/16-18 x 1-3/4" Lg.	L	6	Hairpin Cotter, 3/32"
D	1	Carriage Bolt, 5/16-18 x 1" Lg.	M	2	Clevis Pin, 3/8" x 1/2"
E	8	Nylock Nut, 5/16"	N	2	Clevis Pin, 1/4" x 1-1/8"
F	2	Palnut, 3/8"	O	2	Clevis Pin, 1/4" x 1-3/4"
G	1	Flat Washer, 5/16" Standard	P	2	Vinyl Cap
H	1	Washer, Tooth Lock 5/16"	Q	4	Plastic Plug
I	1	Spacer Bushing,	R	1	Grip
			S	1	Knob, Plastic

# ASSEMBLY

## CARTON CONTENTS (Loose Parts in Carton)

1. Sweeper Housing Assembly
2. Bag Arm Tube (2)
3. Hitch Tube, L.H. (Left Hand)
4. Hitch Bracket Assembly
5. Hitch Bracket, Bent
6. Height Adjustment Strap
7. Height Adjustment Handle
8. Hitch Tube, R.H. (Right Hand)
9. Rope
10. Hopper Bag
11. Rear Hopper Tube (2)
12. Upper Hopper Tube (2)
13. Lower Hopper Tube (2)
14. Hopper Bag Pivot Rod
15. Hopper Support Rod (2)
16. Bag Frame Strap



## CARTON CONTENTS

## TOOLS REQUIRED FOR ASSEMBLY

- (1) Pliers
- (1) Screwdriver
- (1) Hammer
- (1) Adjustable Wrench
- (1) 1/2" Open End or Box End Wrench
- (1) 3/8" Open End or Box End Wrench

## STEP 1 - REMOVE PARTS FROM CARTON

- To protect painted parts, lay them on cardboard or a mat.
- Remove the sweeper housing, the loose parts and the hardware package from the carton. Lay out the parts and hardware as shown on pages 3 and 4.

## STEP 2 - ASSEMBLE HITCH TUBES

- The hitch tubes are stamped with a "77L" for the left tube and a "76R" for the right tube. The sweeper housing is marked with an "L" on the left with side and an "R" on the right side. See figure 1.
- Hold the left hitch tube against the left side of the sweeper so that the "77L" on the tube faces away from the sweeper. Attach the hitch tube using two hex bolts (C) and nylock nuts (E). Repeat for the right hitch tube, but with the "76R" facing in toward the right side of the sweeper. **Do not tighten yet.** See figure 1.

## STEP 3 - REMOVE PLASTIC TIE

- Remove the plastic tie that fastens the height adjustment tube to the front of the sweeper housing. See figure 1.

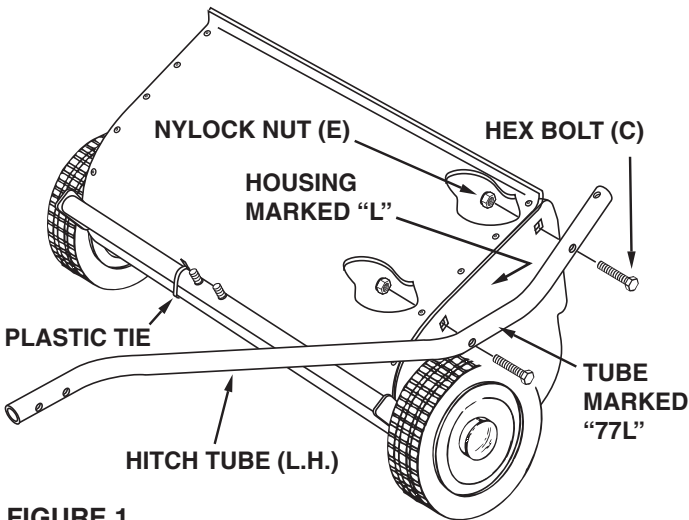


FIGURE 1

## STEP 4 - ASSEMBLE HEIGHT ADJ. STRAP

- Place the spacer bushing (I) into the hole in the height adjustment strap. Place the strap and bushing between the hitch tubes, aligning them with the rear hole. Fasten the hitch tubes together, with the strap and bushing between them, using two hex bolts (A) and nylock nuts (E). **Do not tighten yet.** See figure 2.

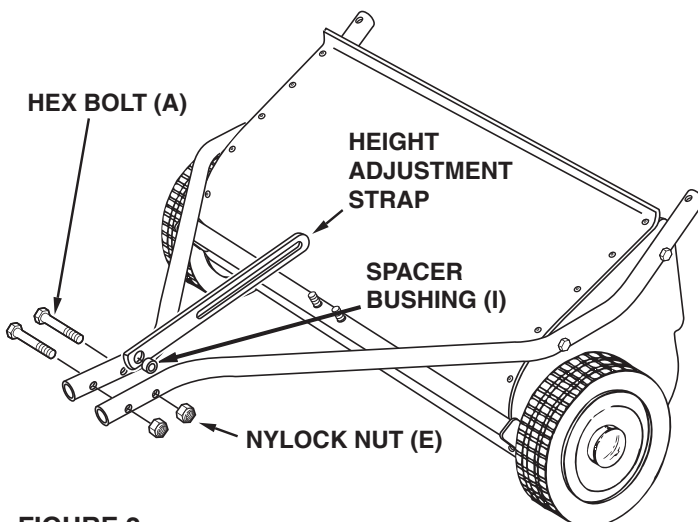


FIGURE 2

## STEP 5 - MEASURE TRACTOR HITCH

- Use the mark beside this paragraph to measure the height of the tractor hitch. The mark is 10" from the bottom of the page. If the tractor hitch is less than 10" above the ground, go to **STEP 6a**. If the tractor hitch is 10" or more above the ground, go to **STEP 6b**.

10"

## STEP 6a - ASSEMBLE HITCH BRACKETS

- If the tractor hitch is less than 10" above the ground, place the bent hitch bracket underneath the hitch tubes and place the hitch bracket assembly on top of the hitch tubes. Insert two hex bolts (B) through the brackets, with the rear hex bolt between the cross bolts in the hitch tubes. Secure the hex bolts (B) with two nylock nuts (E). See figure 3. **Do not tighten yet.**
- Assemble the two spacers (J) onto the hitch pin and secure the pin with the hairpin cotter (K). See figure 3.

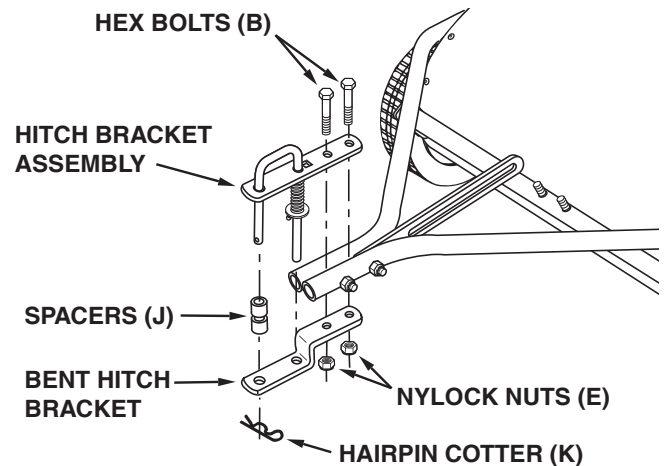


FIGURE 3

## STEP 6b - ASSEMBLE HITCH BRACKETS

- If the tractor hitch is 10" or more above the ground, place the bent hitch bracket on top of the hitch tubes and place the hitch bracket assembly underneath the hitch tubes. Insert two hex bolts (B) through the brackets, with the rear hex bolt between the cross bolts in the hitch tubes. Secure the hex bolts (B) with two nylock nuts (E). See figure 4. **Do not tighten yet.**
- Assemble the two spacers (J) onto the hitch pin and secure the pin with the hairpin cotter (K). See figure 4.

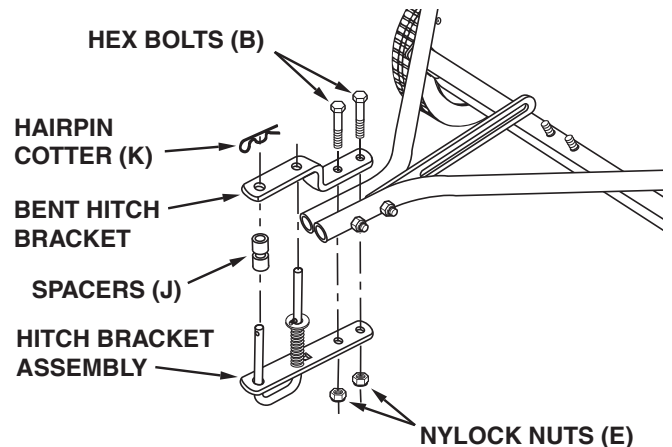


FIGURE 4

## STEP 7 - TIGHTEN BOLTS

- At this time **tighten** the four bolts in figure 1 that fasten the hitch tubes to the sweeper housing. Next, **tighten** the two bolts in figure 2 that fasten the ends of the hitch tubes together. Finally, **tighten** the two bolts in figure 3 or 4 that fasten the hitch brackets to the hitch tubes.

## STEP 8 - ATTACH HANDLE

- Assemble the height adjustment handle to the height adjustment tube on the front of the sweeper housing. Use the curved head bolts, bowed washers, lock washers and hex nuts which come pre-assembled to the tube. Position the height adjustment handle side to side so that the height adjustment strap will align up against the outside of the handle and then **tighten** the nuts. See figure 5.
- Assemble the grip (R) onto the end of the height adjustment handle as shown in figure 5.

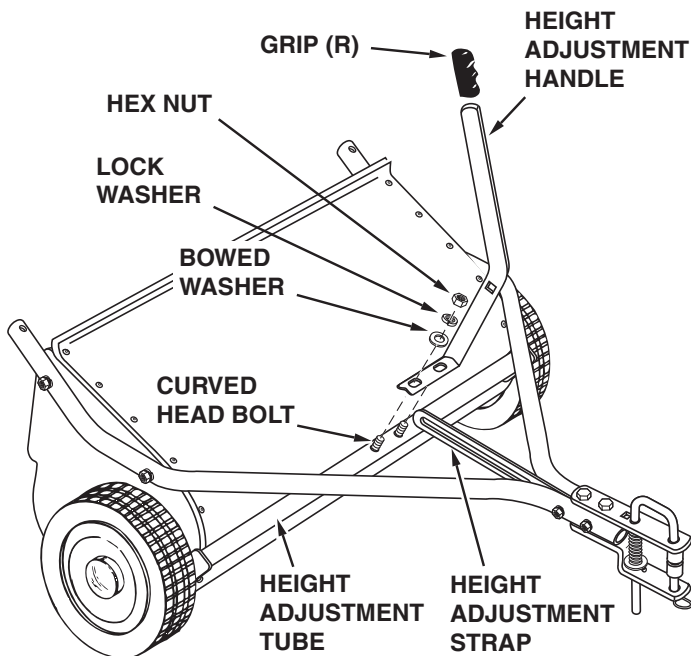


FIGURE 5

## STEP 9 - ATTACH KNOB

- Place the tooth-lock washer (H) between the height adjustment handle and the height adjustment strap. Insert the carriage bolt (D) through the handle, the tooth-lock washer and the strap. Assemble the flat washer (G) and the plastic knob (S) onto the end of the bolt and tighten. See figure 6.

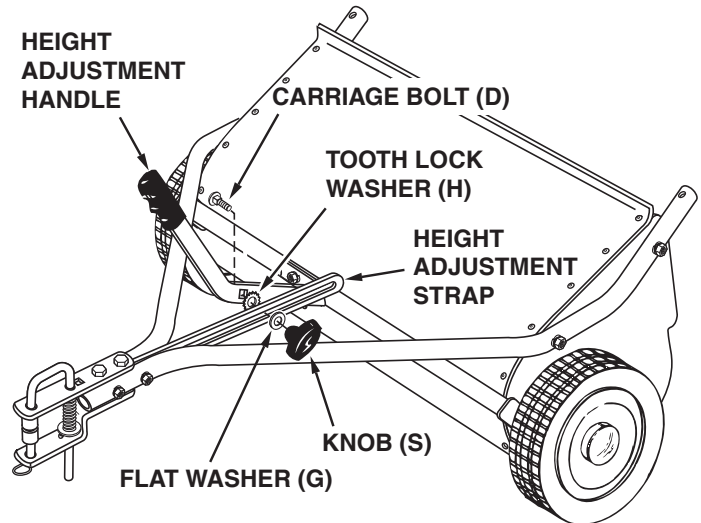


FIGURE 6

# ASSEMBLY OF HOPPER BAG

## STEP 10 - ASSEMBLE UPPER TUBES

- Fit the ends of the two upper hopper tubes into the ends of a rear hopper tube. Align the holes in the ends of the tubes and insert plastic plugs (Q). See figure 7.

**NOTE:** Either side of the tubes can face up.

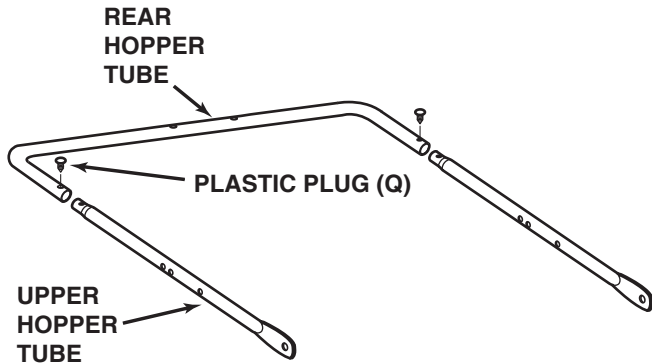


FIGURE 7

## STEP 11 - ASSEMBLE LOWER TUBES

- Fit the ends of the two lower hopper tubes into the ends of a rear hopper tube. Align the holes in the ends of the tubes and insert plastic plugs (Q). See figure 8.

**NOTE:** Either side of the rear hopper tube can face up.

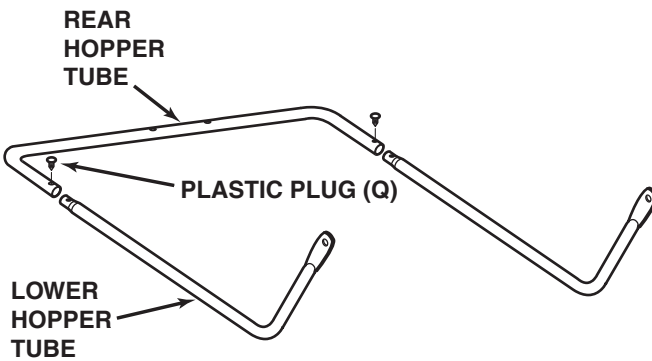


FIGURE 8

## STEP 12 - ASSEMBLE TUBES TO BAG

- Unfold the hopper bag, reverse the fold of the mesh wind screen and then lay the bag out flat with the wind screen on top and the Craftsman logo facing down.
- Insert the ends of the assembled upper hopper tubes down through the stitched sleeves in the sides of the hopper bag and then slide the tubes back underneath the wind screen. See figure 9.

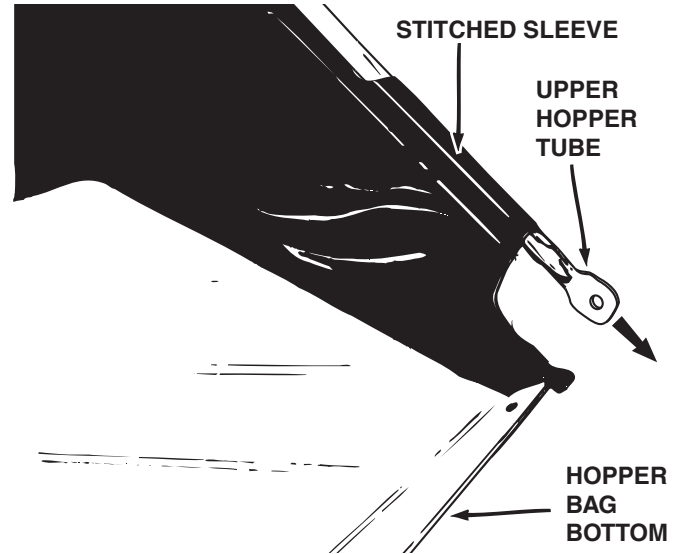


FIGURE 9

- Place the assembled lower hopper tubes into the bottom of the hopper bag and then slide the tubes to the back of the bag. See figure 10.
- Attach the ends of the lower hopper tubes to the **inside** of the upper hopper tubes using two clevis pins (M) inserted from the inside, and two hair cotter pins (L). See figure 10.

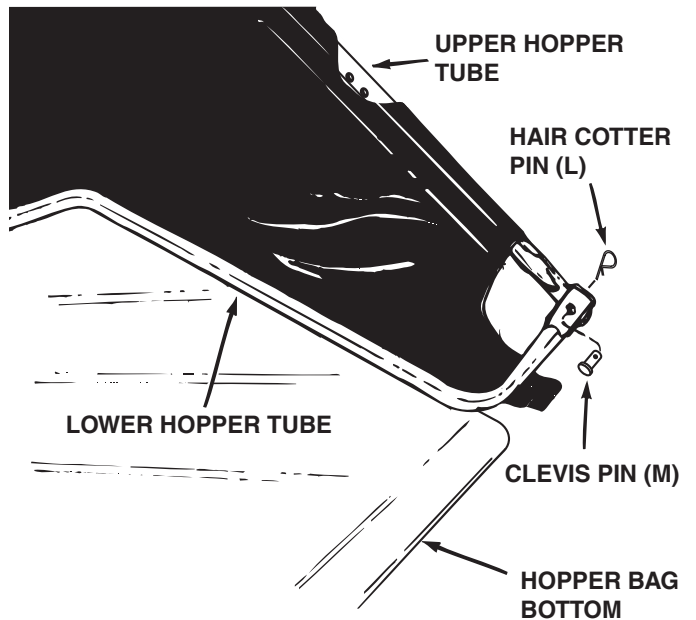


FIGURE 10

### STEP 13 - ATTACH BAG BOTTOM

- Insert the bag frame strap into the stitched sleeve at the front edge of the bag bottom. See figure 11.

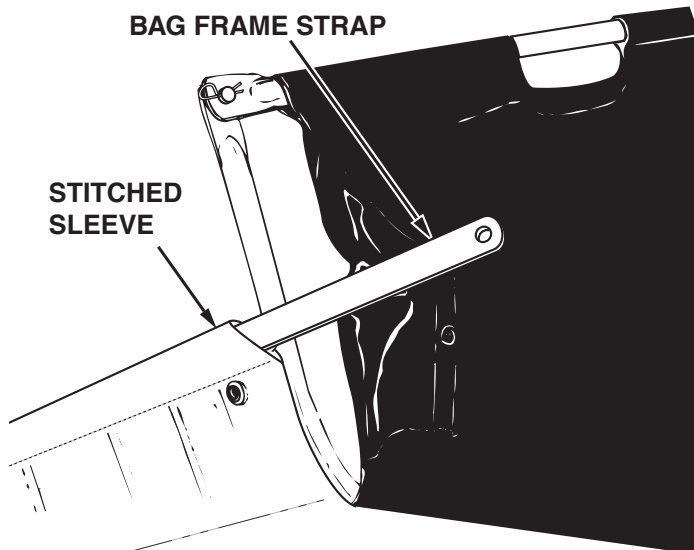


FIGURE 11

- Fold the bag flaps around the lower hopper tubes and attach to the bag bottom using the snaps. See figure 13.

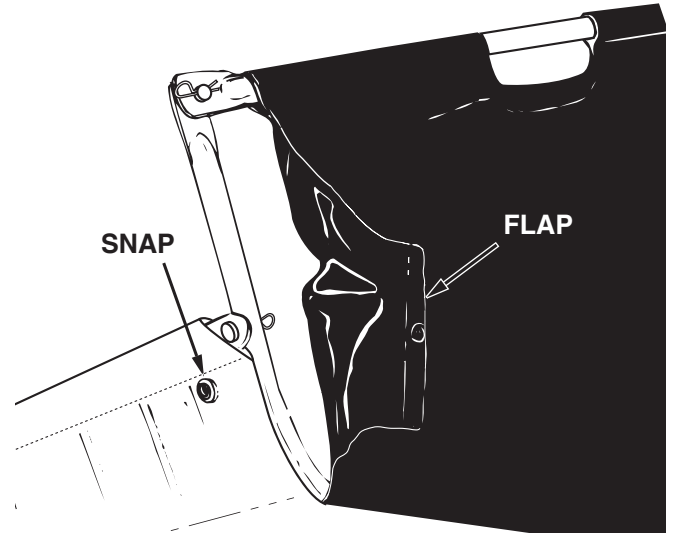


FIGURE 13

### STEP 14 - ASSEMBLE SUPPORT RODS

**IMPORTANT:** Do not over bend the support rods during the following step. Over bending will decrease the supporting tension of the rods.

- Assemble the bag frame strap to the holes in the lower hopper tubes using two clevis pins (N) and hair cotter pins (L). See figure 12.

- Assemble the two hopper support rods as shown in figure 14. Place the ends of the rods into the holes in the upper and lower hopper tubes, flexing the rod just enough to fit into the holes in the tubes.

**NOTE:** The hopper's mesh wind screen is not shown in figure 14 in order to better show the hopper support rods.

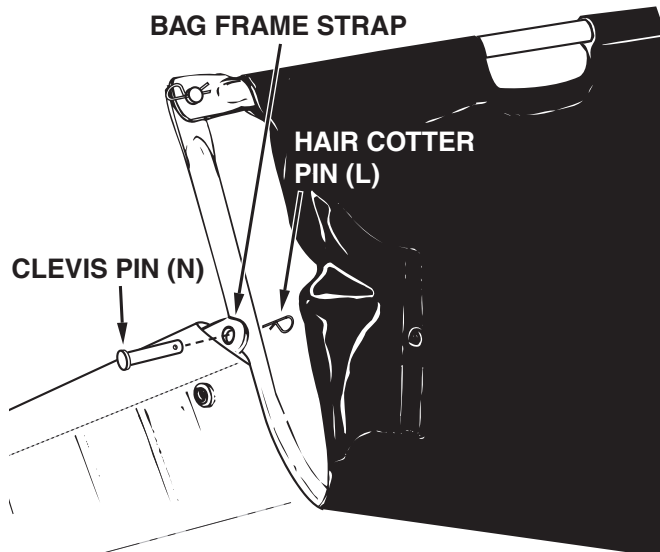


FIGURE 12

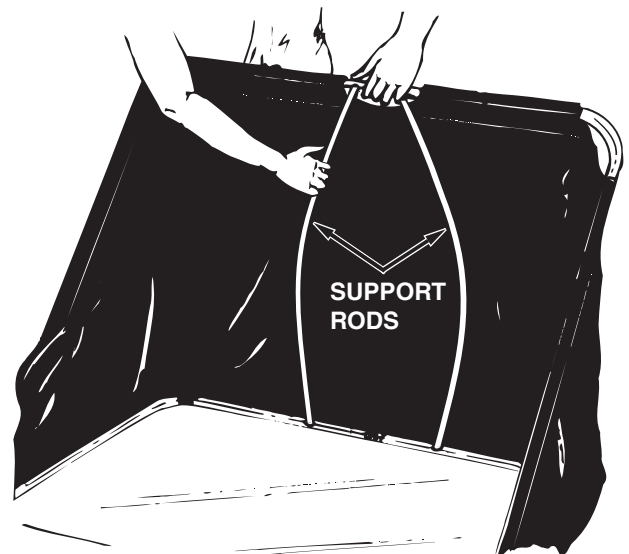


FIGURE 14



## STEP 15 - ASSEMBLE PIVOT ROD

- Slide the hopper bag pivot rod through the **upper** hole in the upper hopper tubes and through the stitched sleeve at the front edge of the mesh wind screen, assembling a bag arm tube on each side as shown in figure 15.

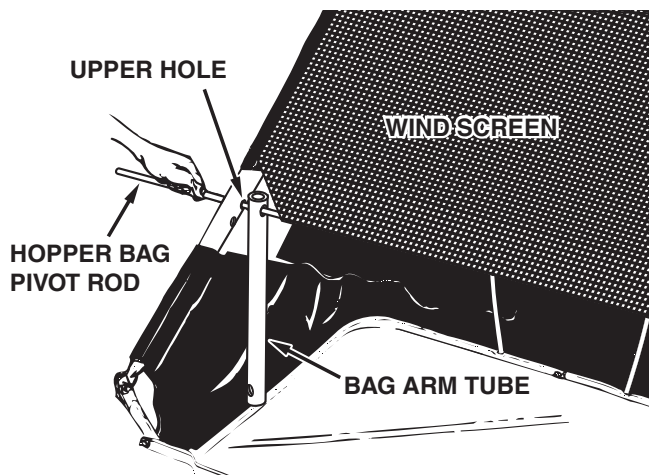


FIGURE 15

- Assemble a vinyl cap (P) onto each bag arm tube as shown in figure 17.
- Assemble two palnuts (F) by lightly tapping them onto the ends of the pivot rod with a hammer. See figure 16.

**HINT:** To ease assembly of the palnuts, place the bag on its side on a solid surface. With the bottom end of the pivot rod against the surface, tap a palnut onto the top end of the rod. Repeat for other end of rod.

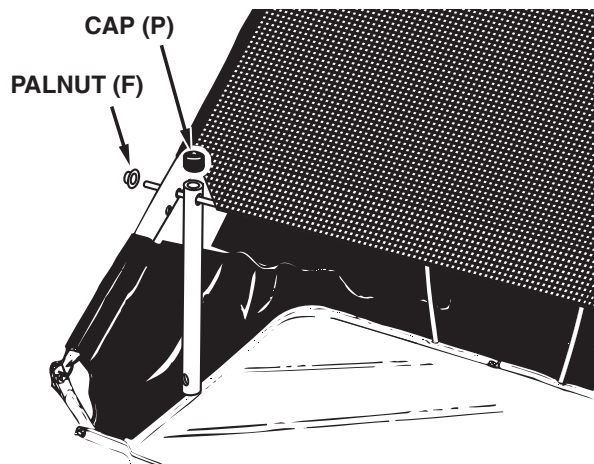


FIGURE 16

## STEP 16 - ATTACH ROPE

- Secure the rope to the center of the upper rear hopper tube as shown in figure 17.



FIGURE 17

## STEP 17 - ATTACH HOPPER BAG

- To attach the hopper bag to the sweeper, slide the ends of the bag arm tubes into the ends of the hitch tubes and secure with two clevis pins (O) and hairpin cotters (L). See figure 18.

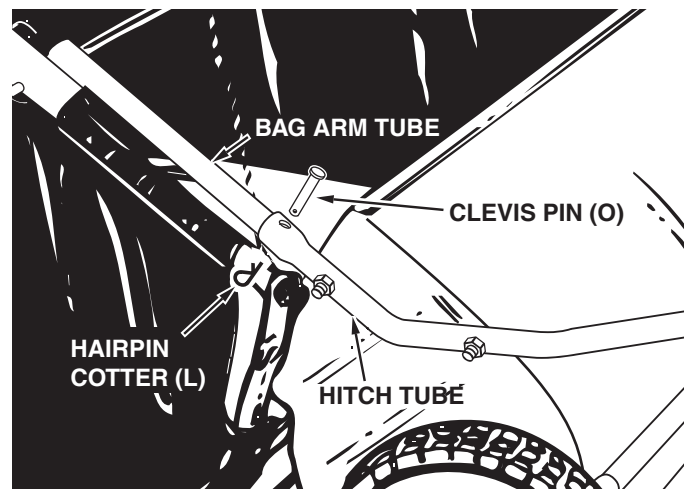


FIGURE 18

## ATTACHING SWEEPER HITCH TO TRACTOR

- Place the tractor and sweeper on a flat level surface.
- Set the sweeper height adjustment handle to about the middle of its adjustment range.
- Attach the sweeper hitch to the tractor hitch, arranging the 3/4" spacers in one of six possible combinations as shown in GROUP A and GROUP B diagrams below.

**IMPORTANT:** To obtain the best performance from your sweeper, arrange the spacers so that the sweeper bag is approximately level with the ground and approximately 5" to 7" off the ground as shown in figure 19.

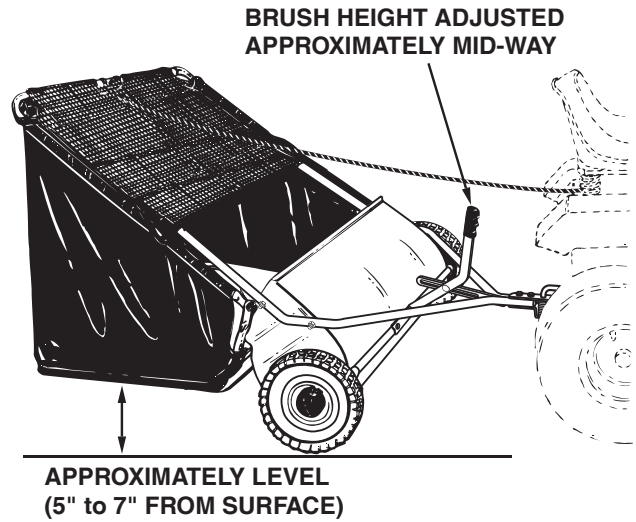
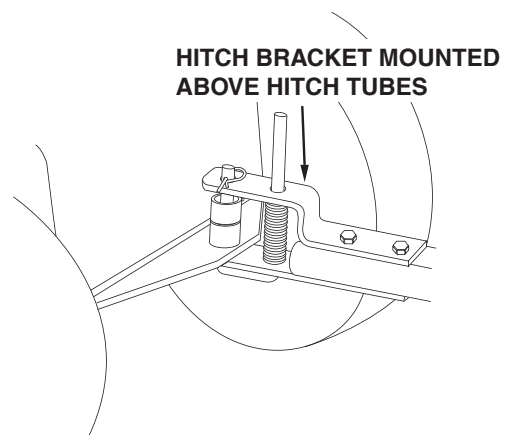
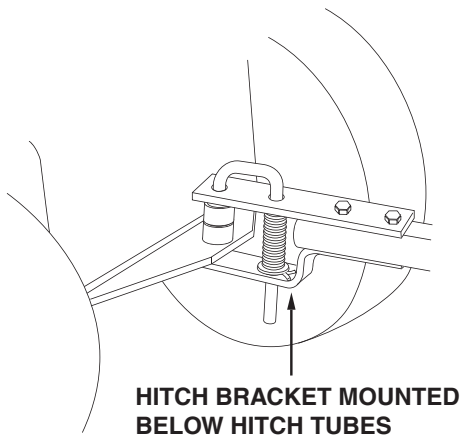


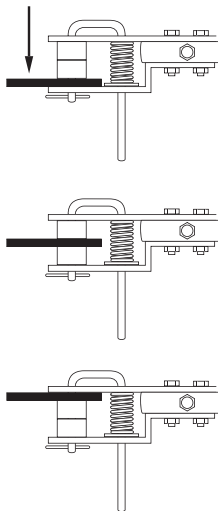
FIGURE 19

**GROUP "A" - For vehicles with hitches having 8" to 10" ground clearance.**

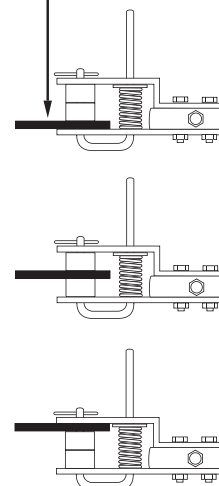
**GROUP "B" - For vehicles with hitches having 10" to 13" ground clearance.**



BLACK LINE IS TRACTOR HITCH

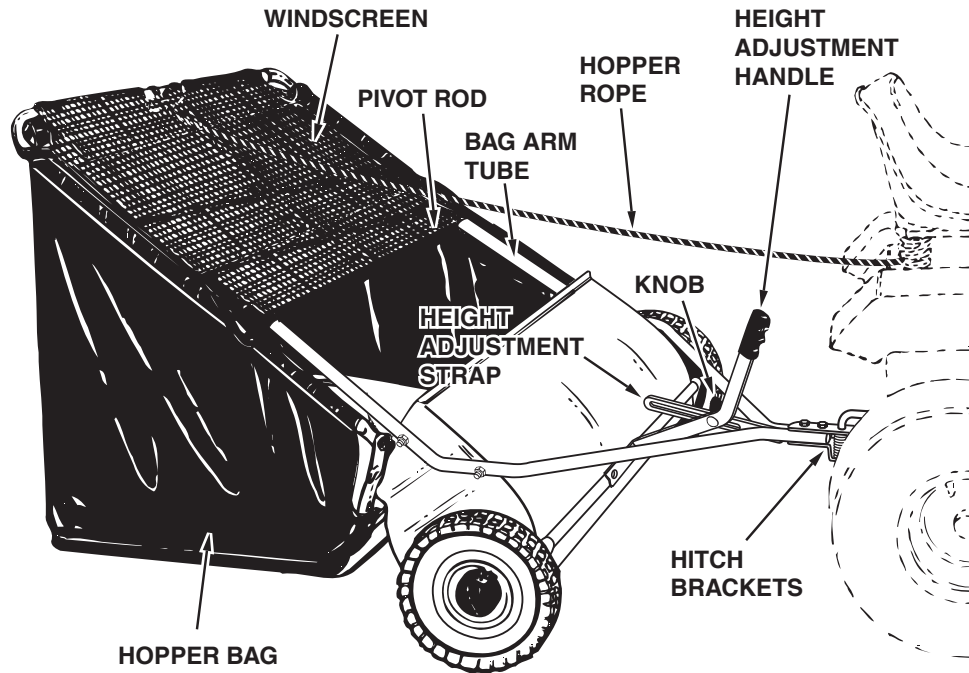


BLACK LINE IS TRACTOR HITCH



# OPERATION

## KNOW YOUR SWEEPER



Hopper Bag	Collects grass clippings, leaves and debris.
Hopper Rope	Permits dumping of hopper bag from driver's seat.
Windscreen	Helps prevent collected material from being blown out of hopper bag.
Bag Arm Tubes	Connects the hopper bag to the sweeper housing.
Pivot Rod	Allows hopper bag to tilt forward to dump material.
Height Adjustment Handle	Adjusts the operating height of the sweeper.
Height Adjustment Strap	Holds the height adjustment handle in position when locked.
Knob	Locks the height adjustment handle to the height adjustment strap.
Hitch Bracket	Connects the sweeper to the towing vehicle. Adjusts for various height tractor hitches.

## HOW TO USE YOUR SWEEPER

### BRUSH HEIGHT ADJUSTMENT

- To adjust your sweeper brushes to the best operating height, loosen the adjustment knob and push down on the height adjustment lever to raise the brush, or push up on the lever to lower the brush. See figure 19. Best adjustment is when the brush setting is 1/2" down into the grass. Always mow the grass to an even height before sweeping.

### SWEEPING SPEED

- Try a starting speed of approximately 3 m.p.h. (third gear on most tractors). Depending on the conditions, it may be necessary to adjust the sweeping speed in order to achieve best results.

### DUMPING OF SWEEPER

- Your sweeper can be dumped easily without getting off of the rider or tractor. Simply pull the rope forward to dump the hopper. Always empty hopper after each use.



**CAUTION:** Never attach the hopper rope to any part of your body or clothing! **Never hold onto** the rope while towing the sweeper! **Attach the rope** to the towing vehicle to keep it away from wheels and rotating parts.



**CAUTION:** Keep sweeper away from fire. Excessive heat can damage the brushes and hopper bag and could cause the bag and its contents to burn.

# MAINTENANCE

## CUSTOMER RESPONSIBILITIES

- Read and follow the maintenance schedule and the procedures listed in the maintenance section.

MAINTENANCE SCHEDULE Fill in dates as you complete regular service.	Service Dates					
	Before each use	After each use	Twice a year	Every season	Before storage	Every two years
Check for loose fasteners	X					
Check for worn or damaged parts	X		X			
Lubricate brush shaft bearings		X				
Lubricate wheel bearings			X			
Clean Sweeper		X		X		
Clean/Lubricate chain and sprockets					X	

## SCHEDULED MAINTENANCE

- Clean the sweeper after each use.
- Inspect for worn or damaged parts, such as brushes and wheels.
- Lubricate the brush shaft bearing twice a year with a few drops of light weight oil. See figure 20.

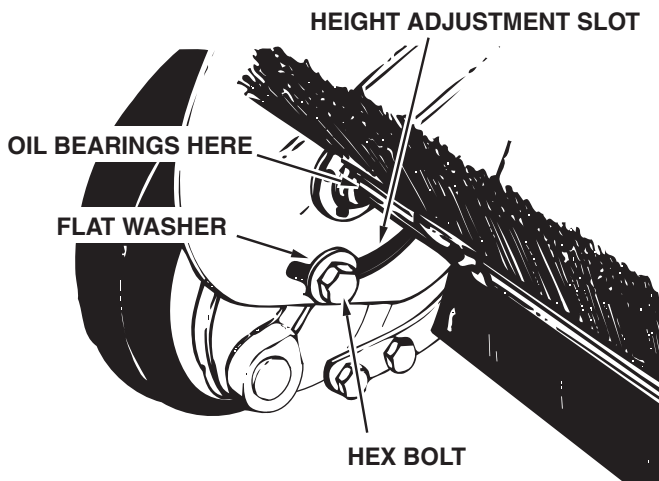


FIGURE 20

- Every two years, remove the wheels and clean the sprockets, chains and gears found inside the wheel housing. After cleaning, lubricate with an even coat of light grease. To remove the wheel, pop off the hub cap using a screwdriver and remove the lock nut and flat washer. See figure 21.

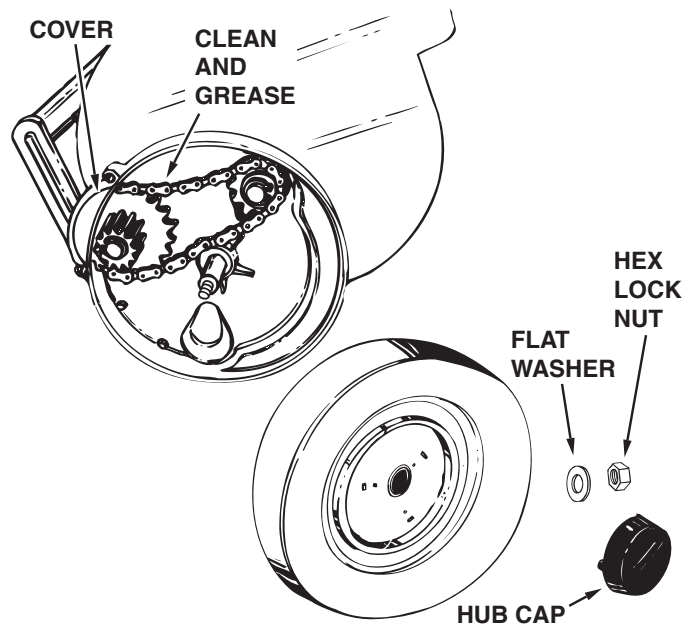


FIGURE 21

## CLEANING

- Clean sweeper housing with a soft brush or cloth.
- Clean debris from hopper bag with a brush or broom.
- Remove any material which has wrapped around brushes or ends of brush shaft.

## STORAGE



**CAUTION:** Before storing the sweeper, always empty the hopper bag to avoid spontaneous combustion.

- Clean the sweeper and hopper bag thoroughly to help prevent rust and mildew.
- To collapse the hopper bag for storage, remove the two hopper support rods from the rear of the hopper.
- Store in a dry area.

# SERVICE AND ADJUSTMENTS

## BRUSH REPLACEMENT

**NOTE:** Brush replacement should be done one brush at a time.

- Remove the hopper bag from the sweeper.
- Loosen the hex bolts and lock nuts on two single brush retainers which clamp one brush to the double brush retainers. **Do Not loosen** or remove the bolts which fasten the double brush retainers to the brush shaft. See figure 22.
- Slide the brush out of the retainers, noting on which side of the brush the bristles overlap. See figure 22.
- Install new brush, making sure the bristles overlap on the same side of the brush as before. See figure 22.

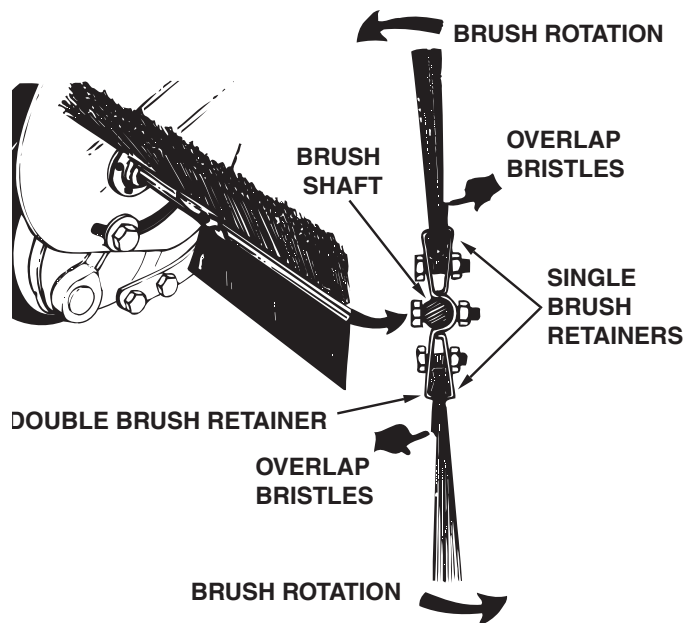


FIGURE 22

## SPROCKET, CHAIN AND PAWL SERVICE

**IMPORTANT:** Do not remove both wheels at the same time to avoid mixing of parts. (The R.H. and L.H. ratchet sprockets are not interchangeable.) **Make notes** on the position of washers and snap rings during disassembly.

- Remove the dust cover by removing the two rivets which fasten it to the wheel housing. (It is not necessary to remove the dust cover if you are only cleaning and lubricating the chain and sprockets.)
- Remove the retaining rings and washers which hold the sprockets onto the shafts.
- Remove the chain and both sprockets, holding them in position and sliding them off both of the shafts. (Look for the drive pin, which may fall out of the brush shaft when the ratchet sprocket is removed.) See figure 23.
- To reassemble, insert the drive pin through the hole at the end of the brush shaft. Make sure the pin slides back and forth easily in the shaft.
- Lightly grease both shafts and the chain, and fill the ratchet sprocket with grease. Assemble the chain with both sprockets back onto the shafts.
- Lightly grease the axle and then reassemble the wheel. The brushes should rotate **only** during forward rotation of the wheel. If the brushes are driven (rotated) by both forward and reverse rotation of the wheel, the drive pin is jamming in the ratchet gear. Disassemble and clean and lubricate the drive pin and ratchet gear.

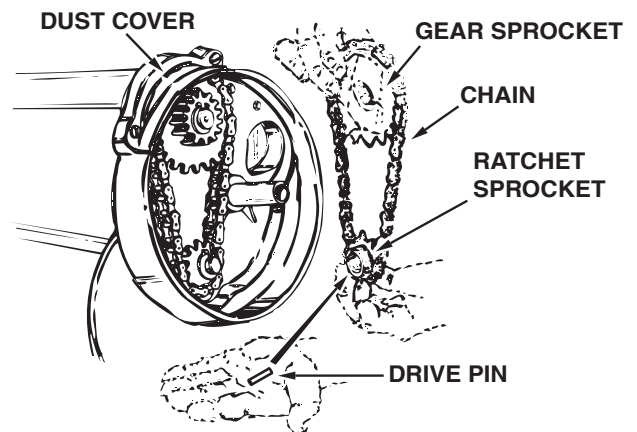


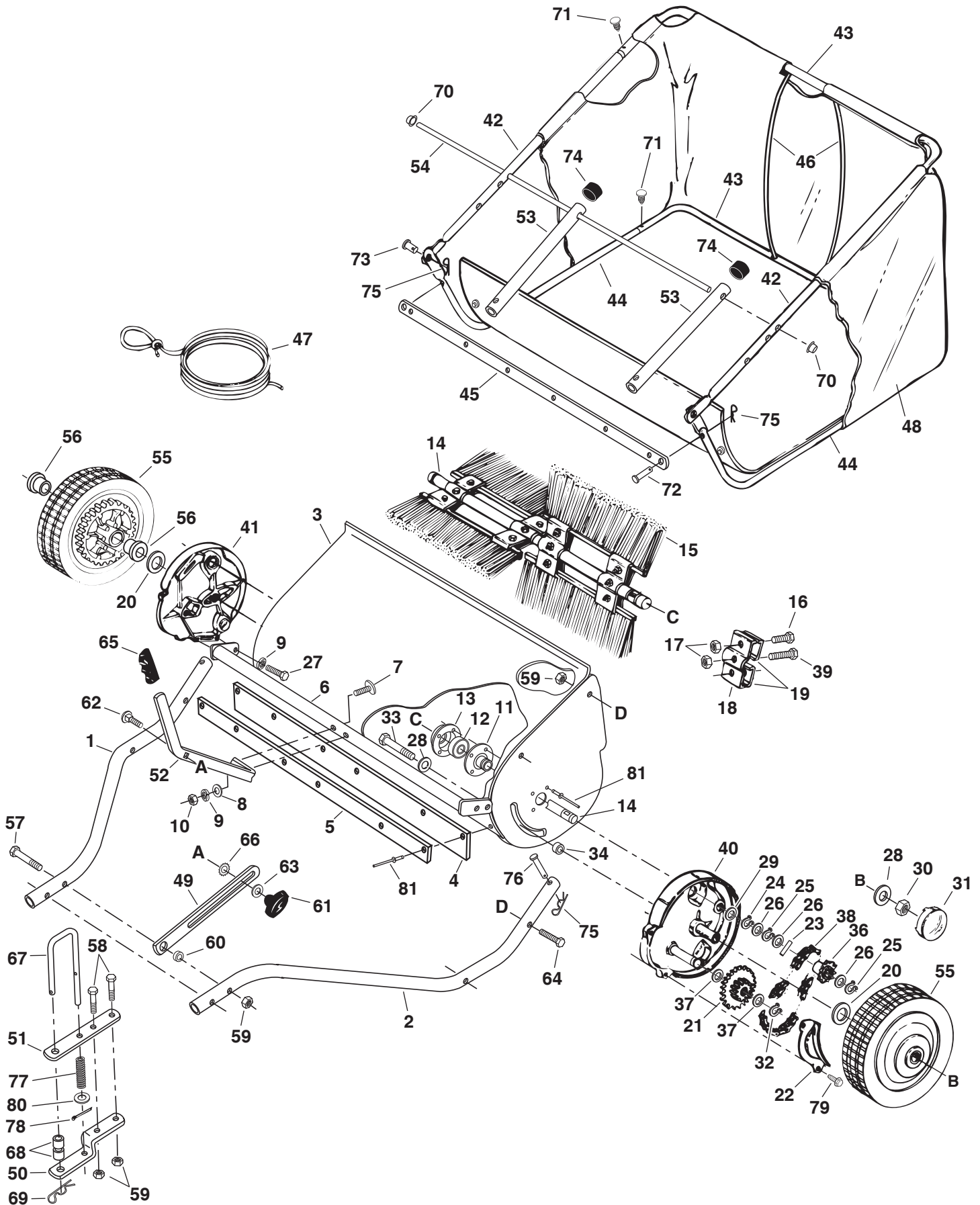
FIGURE 23

## TROUBLESHOOTING

<p>Wheels skid when sweeping.</p>	<ul style="list-style-type: none"> <li>• Brushes set too low.</li> <li>• Brushes are jammed</li> <li>• Wheels are jammed.</li> </ul>	<ul style="list-style-type: none"> <li>• Adjust height till brushes are 1/2" down into grass.</li> <li>• Stop sweeper. Remove obstruction.</li> <li>• Remove one wheel at a time to check for obstruction or damage. Refer to Service and Adjustments section.</li> </ul>
-----------------------------------	--	---

# PARTS

## REPAIR PARTS FOR MODEL 486.242112 - 42" HIGH PERFORMANCE LAWSWEEPER



## REPAIR PARTS LIST FOR MODEL 486.242112 - 42" HIGH PERFORMANCE LAWSWEEPER

REF. NO.	PART NO.	QTY.	DESCRIPTION	REF. NO.	PART NO.	QTY.	DESCRIPTION
1	46776	1	Hitch Tube, R.H.	43	47477	2	Tube, Rear Hopper Frame
2	46777	1	Hitch Tube, L.H.	44	48726	2	Tube, Lower Hopper Frame
3	63467	1	Housing Assembly	45	24189	1	Strap, Bag Frame
4	46778	1	Skirt, 42"	46	43938	2	Rod, Hopper Support 34"
5	24186	1	Retainer, Skirt	47	43737	1	Hopper Rope
6	63468	1	Height Adjustment Tube Ass'y.	48	48401	1	Hopper Bag
7	44947	2	Bolt, Cvd. Hd. 5/16-18 x 1-5/8" Lg.	49	24191	1	Strap, Height Adjustment
8	44695	2	Washer, Bowed 1" x .32" x .06"	50	23687	1	Bracket, Hitch
9	43086	6	Lock Washer, 5/16"	51	24192	1	Bracket, Hitch (Straight)
10	43083	2	Nut, Hex 5/16-18 Thread	52	24193	1	Handle, Height Adjustment
11	62489	2	Brush Bushing Ass'y.	53	46781	2	Tube, Bag Arm
12	44232	2	Ball Bearing	54	46823	1	Rod, Hopper Bag Pivot
13	1629-56	2	Retainer, Dust Cover	55	44985	2	Wheel & Tire Ass'y. (with bearings)
14	24198	1	Brush Shaft	56	45088	4	Wheel Bearing
15	46780	4	Brush, 42"	57	46782	2	Bolt, Hex 5/16-18 x 3" Lg.
16	43012	8	Bolt, Hex 1/4-20 x 3/4" Lg.	58	43224	2	Bolt, Hex 5/16-18 x 2-1/4" Lg.
17	47189	12	Nut, Nylock 1/4-20 Thread	59	47810	8	Nut, Nylock 5/16-18 Thread
18	23580	4	Retainer, Brush (Double)	60	46847	1	Bushing, Spacer
19	23581	8	Retainer, Brush (Single)	61	43720	1	Knob, Wing 5/16-18 Thread
20	44008	2	Washer, Flat 1-1/8" x .78" x .025"	62	44326	1	Bolt, Carriage 5/16-18 x 1" Lg.
21	62490	2	Sprocket / Gear	63	43081	1	Washer, Flat 5/16" Std. Wrt.
22	23573	2	Dust Cover	64	43084	4	Bolt, Hex 5/16-18 x 1-3/4" Lg.
23	47046	2	Dowel Pin (Drive)	65	43943	1	Grip, Height Adjust
24	43655	2	Ring, Retaining 3/4"	66	44732	1	Washer, Tooth Lock 5/16"
25	1650-21	4	Ring, Retaining .594"	67	49493	1	Pin, Hitch
26	44007	6	Washer, Shim 1-1/8" x .594" x .025"	68	23368	2	Tube, Hitch Spacer
27	43182	4	Bolt, Hex 5/16-18 x 3/4" Lg.	69	43343	1	Hairpin Cotter, 1/8"
28	141	4	Washer, Flat 1-1/2" x .375" x .062"	70	44917	2	Palnut, 3/8"
29	1540-31	4	Washer, Flat .78" x 1.25" x .06"	71	48402	4	Plug, 1/4"
30	1038	2	Nut, Nylock 3/8-24 Thread	72	48365	2	Pin, Clevis 1/4" x 1-1/8"
31	2674-32	2	Hub Cap	73	48366	2	Pin, Clevis 3/8" x 1/2"
32	43894	2	Ring, Retaining 1/2"	74	44481	2	Cap, Vinyl
33	43932	2	Bolt, Hex 3/8-24 x 3-1/2" Lg.	75	43055	6	Hairpin Cotter, 3/32" #3
34	23400	2	Bushing, Spacer	76	46867	2	Pin, Clevis 1/4" x 1-1/2" Lg.
35	43890	1	Sprocket, Ratchet R.H. (not shown)	77	44230	1	Spring, Hitch Pin
36	43889	1	Sprocket, Ratchet L.H.	78	142	1	Pin, Cotter 1/8" x 3/4" Lg.
37	44137	4	Washer, 1/2" x 1" x .02"	79	49102	4	Screw, #12 x 1/2" Hex Head
38	44542	2	Chain, Roller	80	43070	1	Washer, 3/8" Flat
39	43661	4	Bolt, Hex 1/4-20 x 1" Lg.	81	C-9M5732	14	Rivet, Pop
40	62791	1	Housing, Wheel Drive Ass'y. L.H.		49535	1	Owners Manual
41	62792	1	Housing, Wheel Drive Ass'y. R.H.				
42	48926	2	Tube, Upper Hopper Frame				

# Get it fixed, at your home or ours!

For repair of major brand appliances **in your own home...**  
no matter who made it, no matter who sold it!

**1-800-4-MY-HOME<sup>SM</sup>** Anytime, day or night  
(1-800-469-4663)

[www.sears.com](http://www.sears.com)

To bring in products such as vacuums, lawn equipment and electronics  
for repair, call for the location of your nearest **Sears Parts & Repair Center.**

**1-800-488-1222** Anytime, day or night

[www.sears.com](http://www.sears.com)

For the replacement parts, accessories and owner's manuals  
that you need to do-it-yourself, call **Sears PartsDirect<sup>SM</sup>!**

**1-800-366-PART** 6 a.m. – 11 p.m. CST,  
(1-800-366-7278) 7 days a week

[www.sears.com/partsdirect](http://www.sears.com/partsdirect)

To purchase or inquire about a Sears Service Agreement:

**1-800-827-6655**

7 a.m. – 5 p.m. CST, Mon. – Sat.

Para pedir servicio de reparación a domicilio,  
y para ordenar piezas con entrega a domicilio:

**1-888-SU-HOGAR<sup>SM</sup>**  
(1-888-784-6427)

Au Canada pour service en français:

**1-877-LE-FOYER<sup>SM</sup>**  
(1-877-533-6937)





## Free Manuals Download Website

<http://myh66.com>

<http://usermanuals.us>

<http://www.somanuals.com>

<http://www.4manuals.cc>

<http://www.manual-lib.com>

<http://www.404manual.com>

<http://www.luxmanual.com>

<http://aubethermostatmanual.com>

Golf course search by state

<http://golfingnear.com>

Email search by domain

<http://emailbydomain.com>

Auto manuals search

<http://auto.somanuals.com>

TV manuals search

<http://tv.somanuals.com>