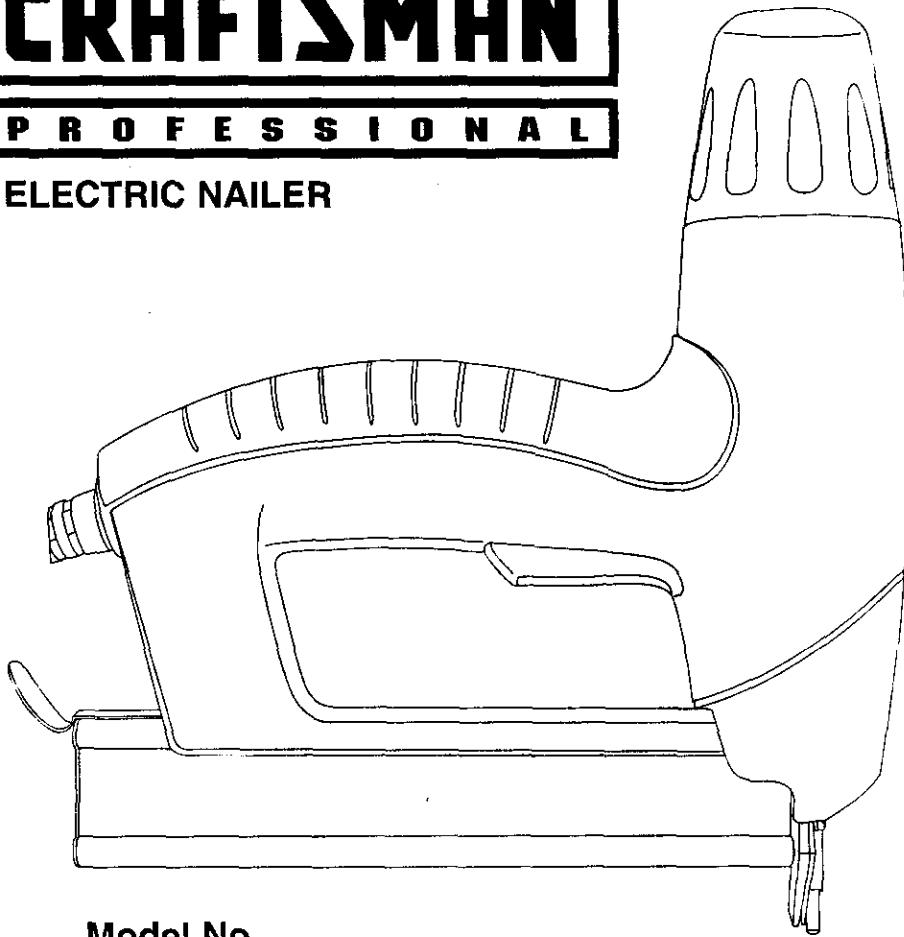


# 2723303

Owner's Manual



**ELECTRIC NAILER**



**Model No.**  
**836.272330**  
**Serial No.**

**NOTE:** Model and serial numbers may be found on the name plate located on the tool.  
You should record both numbers and retain them in a safe place.



**CAUTION:** Before using this Nailer, read this manual and follow all its Safety Rules and Operating Instructions.

E185030

**Sears, Roebuck and Co., Hoffman Estates, IL 60179 USA**

SAFETY

OPERATION

MAINTENANCE

PARTS

## TABLE OF CONTENTS

SECTION	PAGE
Warranty	2
Product Specifications	2
Safety Instructions	3
Accessories and Attachments	6
Know Your Brad Nailer	7
Operation	7
Maintenance	8
Troubleshooting Guide	9
Parts	10

## WARRANTY

### FULL ONE YEAR WARRANTY ON CRAFTSMAN PROFESSIONAL ELECTRIC NAILER

If this Craftsman Nailer fails due to a defect in material or workmanship within one year from the date of purchase, Sears will REPAIR it, free of charge.

**WARRANTY SERVICE IS AVAILABLE BY SIMPLY RETURNING THE TOOL TO THE NEAREST SEARS STORE OR CRAFTSMAN OUTLET IN THE UNITED STATES .**

This warranty gives you specific legal rights, and you may also have other rights which vary from state to state.

*Sears, Roebuck and Co., Dept. 817 WA, Hoffman Estates, IL 60179*

## PRODUCT SPECIFICATIONS

Power Source	120V, 60Hz, 9 Amps., AC only
Nailing Speed	1 Nail per Second
Nail Size - Diameter	.039 - .049 inch
- Head size	.070 - .087 inch
- Length	3/8 - 1-3/16 inch
Magazine Capacity	100 Nails
Dimensions	8-1/2 inches long x 2-1/2 inches wide x 10 inches high
Weight	4.7 pounds

### **⚠ WARNING**

To avoid electrical hazards, fire hazards, or damage to the tool, use proper circuit protection.

Your nailer is wired at the factory for 120V operation. Connect to a 120V, 15 amp branch circuit and use a 15 amp time delay fuse or circuit breaker. To avoid shock or fire, replace power cord immediately if it is worn, cut or damaged in any way.

## SAFETY

SAFETY

### GENERAL SAFETY INSTRUCTIONS

#### **▲ WARNING**

Do not attempt to operate this tool until you have read and thoroughly understand all instructions, safety rules, etc., contained in this manual. Failure to comply can result in accidents involving fire, electric shock, or serious personal injury. Save this owner's manual and review it frequently for continuing safe operation and instructing possible third-party users.

#### READ ALL INSTRUCTIONS

- 1. KEEP WORK AREA CLEAN.** Cluttered work areas and benches invite injuries.
- 2. GUARD AGAINST ELECTRICAL SHOCK.** Be sure your body does not come in contact with grounded surfaces such as pipes, radiators, ranges, refrigerators, etc.
- 3. AVOID DANGEROUS WORK AREA ENVIRONMENT.** Do not use power tools in damp or wet locations. Keep work area well lit. Do not expose power tools to rain. Do not use power tools in the presence of flammable liquids or gases.
- 4. KEEP CHILDREN AWAY.** All visitors should wear safety goggles or safety glasses with side shields and be kept a safe distance from work area. Do not let visitors come in contact with tool or extension cords.
- 5. STORE IDLE TOOLS.** When not in use, store tools in a high, dry location that can be locked.  
**KEEP THEM OUT OF THE REACH OF CHILDREN.**
- 6. DON'T FORCE THE TOOL.** It will do the job better and safer if used at the rate for which it was designed.
- 7. USE THE RIGHT TOOL.** Do not use a tool for a purpose it was not intended. For example, do not force a small tool or attachment to do the job of a heavy-duty tool.
- 8. ALWAYS WEAR SAFETY GOGGLES or safety glasses with side shields when using power tools.** Also use a face mask or dust mask if the job is dusty.
- 9. DON'T ABUSE TOOL POWER CORD.** Never carry the tool by the cord or yank the cord to disconnect it from the wall. Keep the cord away from heat, oil, and sharp edges.
- 10. SECURE WORK.** Whenever possible, use clamps or a vise to hold the work. It's safer than using your hands and it frees both hands to use the tool.
- 11. DON'T OVERREACH.** Keep proper footing and balance; make sure your footing is stable.
- 12. KEEP TOOL WELL MAINTAINED.** Follow instructions for lubricating and changing accessories. When applicable, keep tool sharp and clean. Inspect cord frequently and have damaged parts repaired by a Sears service center. Keep tool handle and housing clean, dry and free of grease and oil. Never use strong solvents or petroleum-based products to clean tool.

**SAVE THESE INSTRUCTIONS**

Page 3

**13. DISCONNECT TOOL** when not in use, before servicing and when loading or changing accessories.

**14. AVOID UNINTENTIONAL STARTING.** Never carry tool with your finger on the switch.

**15. STAY ALERT.** Watch what you are doing and use common sense. **Do not operate tool when you are tired or under the influence of drugs, alcohol, or medication.**

**16. CHECK DAMAGED PARTS.** Before using tool, check that all parts will operate correctly and will perform as designed. Any damaged parts should be repaired or replaced by an authorized Sears service facility. Also, check for misalignment, binding, and broken parts. Check that the switch works properly and **DO NOT USE TOOL IF THE SWITCH DOES NOT TURN THE TOOL ON AND OFF.**

**17. REPLACEMENT PARTS.** When servicing, use only identical replacement parts ordered from a Sears service facility.

**18. WEAR HEARING PROTECTION** during extended periods of operation.

### GUIDELINES FOR EXTENSION CORDS

If you are using an extension cord outdoors, be sure it is marked with the suffix "W-A" ("W" in Canada) to indicate that it is acceptable for outdoor use.

Be sure your extension cord is properly wired, and in good electrical condition. Always replace a damaged extension cord or have it repaired by a qualified person before using it.

Protect your extension cords from sharp objects, excessive heat and damp or wet areas.

MINIMUM GAUGE FOR EXTENSION CORDS (AWG)					
(when using 120 volts only)					
Ampere Rating		Total length of cord in feet			
more than	not more than	25'	50'	100'	150'
0	6	18	16	16	14
6	10	18	16	14	12
10	12	16	16	14	12



**ALWAYS WEAR EYE PROTECTION.** Any Power Tool can throw foreign objects into the eyes which could cause permanent eye damage. **ALWAYS** wear safety Goggles (not glasses) that comply with ANSI safety standard Z87.1. Everyday glasses have only impact-resistant lenses...they ARE NOT safety glasses. Safety Goggles are available at Sears.

**NOTE:** Glasses or goggles not in compliance with ANSI Z87.1 could seriously hurt you when they break.

**SAVE THESE INSTRUCTIONS**

Page 4

## SPECIFIC SAFETY INSTRUCTIONS FOR THIS NAILER

### **▲ WARNING**

**DO NOT AIM NAILER OR SHOOT NAILS AT A PERSON OR ANIMAL.**

Released nails can cause severe injuries.

1. **USE ONLY THE NAILS INDICATED** in this manual. Use of accessories that are not designed for this tool could result in personal injury and/or damage to the tool.
2. **DO NOT TOUCH** metal parts of tool during operation. Hold only plastic handle or housing.
3. **KEEP** tacking speed at one nail per second.
4. **NAILER** should be used only for the purposes outlined in this manual. It is designed for use on wood. **Do not use on hard surfaces like rock, concrete, etc. personal injury or damage to the tool could result.**
5. When nailing thin wood, **special caution must be taken for possible penetration of nails through the wood.**
6. When using this tool in high locations, **ALWAYS** make sure there is no one below that could be injured. **ALWAYS** be sure you have a firm footing when using this tool.
7. **ALWAYS** hold tool firmly.
8. **NEVER** connect tool to a DC power source.
9. **REGULAR CLEANING**, inspection and maintenance is necessary.

10. **DURING OPERATION**, the nailer may feel warm to the touch. This is normal. However, if the nailer starts to feel hot, discontinue use until the unit cools down.

## GROUNDING INSTRUCTIONS

**IN THE EVENT OF A MALFUNCTION OR BREAKDOWN**, grounding provides a path of least resistance for electric current to reduce the risk of electric shock. This tool is equipped with an electric cord having an equipment grounding conductor and a grounding plug. The plug must be plugged into a matching outlet that is properly installed and grounded in accordance with all local codes and ordinances.

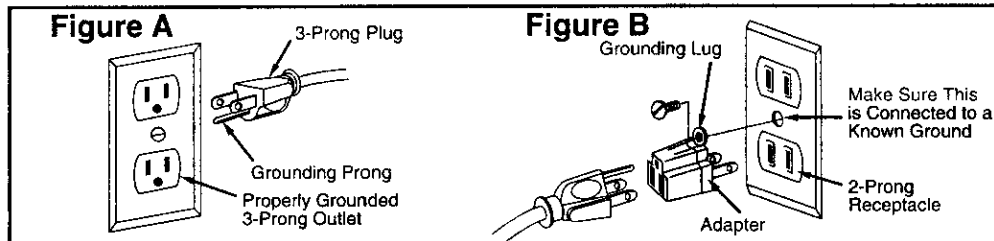
**DO NOT MODIFY THE 3-PRONG PLUG.** If it will not fit the outlet, have the proper outlet installed by a qualified electrician. Improper connection of the equipment-grounding conductor can create a risk of shock. The conductor with insulation having an outer surface that is green (sometimes, but not always with yellow stripes) is the equipment grounding conductor.

**REPAIR OR REPLACE DAMAGED OR WORN CORD IMMEDIATELY**, if repair or replacement of the electric cord or plug is ever necessary. **DO NOT** connect the equipment-grounding conductor to a live terminal.

SAFETY

**SAVE THESE INSTRUCTIONS**

Page 5



**FIGURE (A)** Shows a 3-wire electrical plug and outlet that has a grounding conductor. If a properly grounded outlet is not available, an adapter (**FIGURE B**) can be used to temporarily connect this plug to a 2-contact ungrounded outlet. The adapter (**FIGURE B**) has a rigid lug extending from it that **MUST** be connected to a permanent earth ground, such as a properly grounded outlet box. The Canadian Electrical Code prohibits the use of adapters.

**USE ONLY 3-WIRE EXTENSION CORDS THAT HAVE 3-PRONG GROUNDING PLUGS AND 3-POLE RECEPTACLES THAT ACCEPT THE TOOL'S PLUG.**

### ⚠ WARNING

If you have any doubts as to whether the tool is properly grounded or if the grounding instructions are unclear, check with a qualified electrician or service technician. When using a grounded tool around other ungrounded devices, be sure that the ungrounded devices are in good condition. An ungrounded device can function, yet have internal electrical problems that could cause a hazard when brought in contact with a grounded tool.

**THE ADAPTER SHOULD ONLY BE USED until a properly grounded outlet can be installed by a qualified electrician.**

## ACCESSORIES AND ATTACHMENTS

### AVAILABLE ACCESSORIES

Visit your Sears Hardware Department or see the Craftsman Power and Handtool Catalog for the following brad nails:

Sears Stock No.	Length	
	Inch	mm.
27218	3/8	10
27216	3/4	20
27215	1	25
27214	1-3/16	30

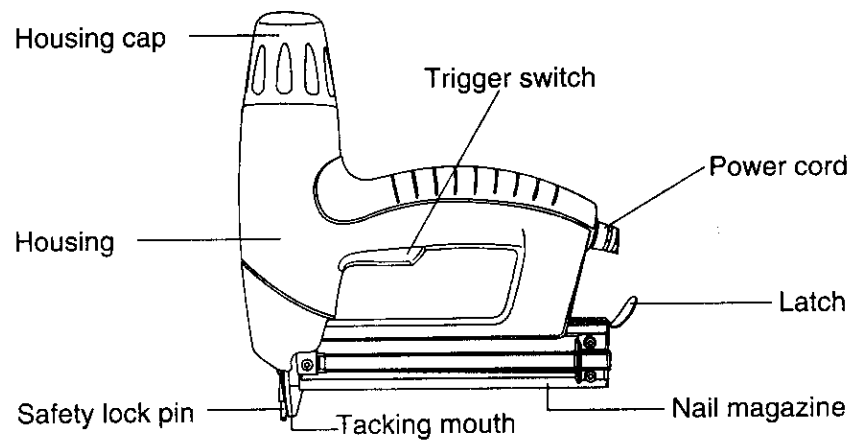
These brad nails can be used for:  
 Cabinet making  
 Interior decorations  
 Wood furniture building/repair  
 Display assembly  
 Picture frames  
 Door & window trim

**NOTE:** Use only brad nails recommended for this nailer. Using other sizes may be dangerous. Sears may recommend other accessories not listed in this manual. Do not use accessories unless you have completely read the instruction manual for that accessory.

### ⚠ WARNING

Do not attempt to modify this tool or create accessories not recommended for use with this tool. Any such alteration or modification is misuse and could result in a hazardous condition leading to possible serious personal injury.

## KNOW YOUR BRAD NAILER



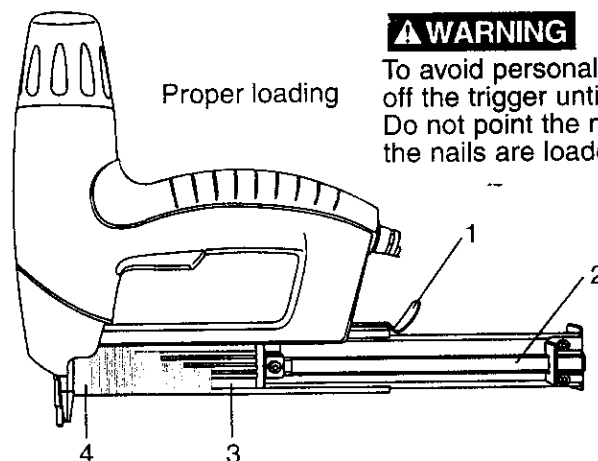
OPERATION

## OPERATION

### HOW TO LOAD YOUR BRAD NAILER (FIGURE 1)

1. Unplug nailer from power source.
2. Use only brad nails recommended; see brad nail chart.
3. Push up the latch (1) toward the magazine and slide out the magazine (2).
4. Position the nailer exposing the magazine chamber (3).
5. Load nails into the magazine, nail points facing down toward the bottom of the nailer.
6. When loading different lengths, do not load nail heads into the upper part of the slot. Load so that the nail points are at the bottom of the magazine (4).
7. Close magazine (2), making sure that the nails stay seated in the track.
8. Make sure that the latch (1) is securely locked.

Fig. 1



### **⚠ WARNING**

To avoid personal injury, keep fingers off the trigger until ready to drive nail. Do not point the nailer at anyone when the nails are loaded.

## TO NAIL (FIGURE 2)

### **⚠ WARNING**

Always wear safety goggles or safety glasses with side shields when operating your nailer. Failure to do so could result in objects being thrown into your eyes, resulting in possible serious injury.

1. Plug nailer into 120 Volt, 60Hz power outlet.
2. Hold nailer firmly with the tacking mouth (1) flat to the workpiece.
3. Use enough downward pressure to depress the safety lock pin (2).

**NOTE:** The safety lock pin must be depressed for this nailer to operate. This nailer will not fire unless this is done.

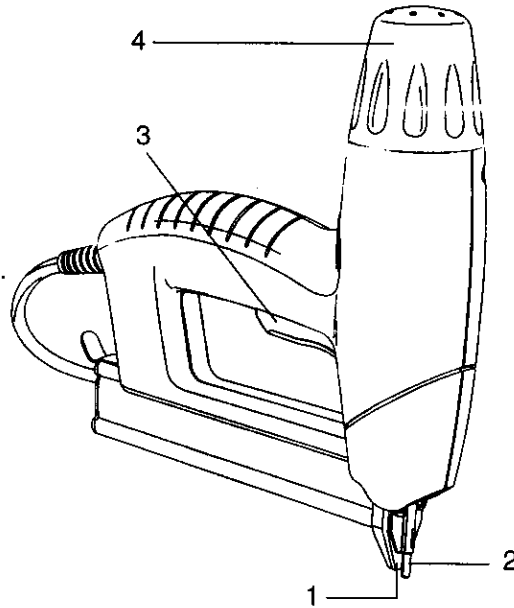
4. Squeeze the trigger (3) to drive the brad nail.
5. If the workpiece is very hard, press down on the housing cap (4) with your free hand.

**NOTE: AVOID BLANK SHOTS** to prevent wear and damage to internal parts.

### **⚠ WARNING**

Do not allow familiarity of your nailer to make you careless. Remember that a careless fraction of a second is sufficient to inflict severe injury.

Fig. 2



## MAINTENANCE

### **⚠ WARNING**

The nailer must be disconnected from the electrical power source during maintenance.

### STANDARD MAINTENANCE

1. Inspect all screws and tighten if necessary.
2. Use a clean cloth to remove dirt from the tool.
3. Do not use gasoline, brake fluid, oils, or solvents to clean plastic parts. These chemicals will damage, weaken, or destroy plastics.

4. Do not oil or grease any parts.
5. Keep the nail magazine chamber clean.
6. Do not rotate or remove housing cap.

### **⚠ WARNING**

Do not alter, redesign parts on this nailer, or attach special fixturing. This can be a source of personal injury.



### CLEARING A JAMMED NAIL (FIGURE 3)

1. Unplug the cord and remove all brads from the magazine.
2. Remove the two screws and washers (1) located on the tacking mouth cover.
3. Remove the cover (2).

**CAUTION:** Be careful, the safety lock pin and spring may shoot forward.

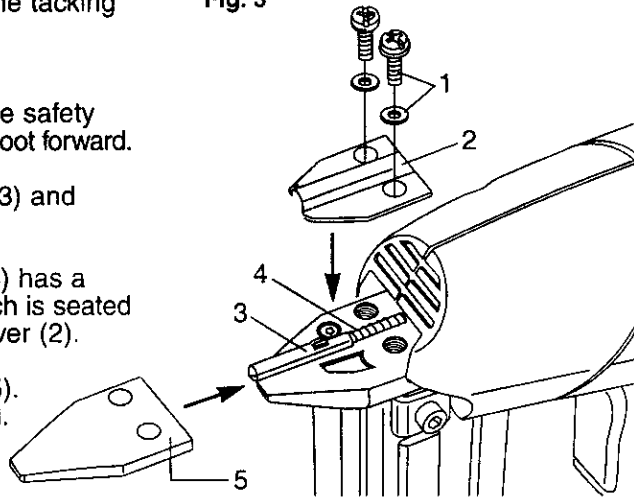
4. Remove safety lock pin (3) and spring (4).

**NOTE:** Safety lock pin (3) has a keyed slot on the pin which is seated in the opening on the cover (2).

5. Remove the slot cover (5).
6. Remove the jammed nail.

7. Replace all parts in reverse order.
8. Tighten screws.
9. Make sure that the safety lock pin is correctly sticking out of the tacking mouth assembly.

Fig. 3



## TROUBLESHOOTING

PROBLEM	PROBABLE CAUSE	REMEDY
Nailer will not fire	1. Not plugged in	1. Plug in
	2. Circuit breaker tripped	2. Reset circuit breaker or fuse
	3. Damaged cord	3. Have replaced by Sears Service Center
Nail jammed	1. Dirty, rusty, or deformed nails	1. Replace with new nails
	2. Incorrect nails	2. Use recommended nail style and size
Power loss	1. Damaged coil spring	1. Have repaired by Sears Service Center

MAINTENANCE

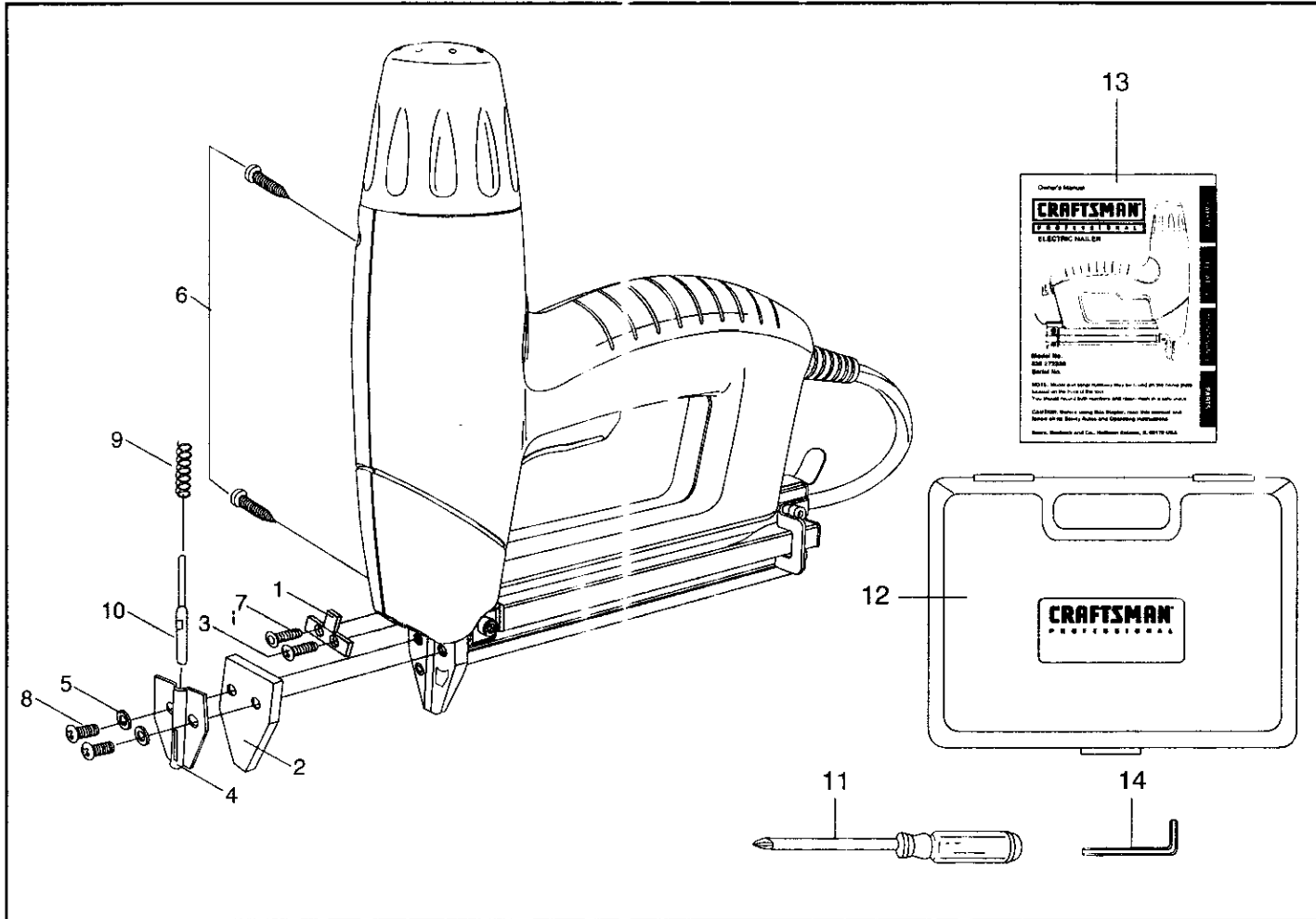
## PARTS

**ELECTRIC BRAD NAILER**

**MODEL NUMBER 836.27233**

**Order by PART NUMBER, not by key number**

<b>Key Number</b>	<b>Part Number</b>	<b>Description</b>
1	DCA0060030	Slot-cover (B)
2	DCA0050080	Slot-cover (A)
3	BMS0040010	Screw
4	DCA0790070	Safety cover
5	BMD0010000	Washer
6	DHB0040010	Housing screw
7	BMS0040361	Screw
8	BMS0040210	Screw
9	DHA0190010	Safety spring
10	DAA0320060	Safety lock pin (Guide bar)
11	2723301	Screwdriver
12	2723302	Carry case
13	2723303	Owner's manual
14	2723304	Hex Key



**PARTS**

**For the repair or replacement parts you need  
delivered directly to your home**

Call 7 am - 7 pm, 7 days a week

**1-800-366-PART**

(1-800-366-7278)



**For in-home major brand repair service**

Call 24 hours a day, 7 days a week

**1-800-4-REPAIR**

(1-800-473-7247)



**For the location of a  
Sears Parts and Repair Center in your area**

Call 24 hours a day, 7 days a week

**1-800-488-1222**



**For information on purchasing a Sears  
Maintenance Agreement or to inquire  
about an existing Agreement**

Call 9 am - 5 pm, Monday-Saturday

**1-800-827-6655**



**The model number of your product is located  
on the name plate on the front of the Electric Nailer.**

**When requesting service or ordering parts,  
always give the following information:**

- Product Type
- Part Number
- Model Number
- Part Description

**SEARS**  
**REPAIR SERVICES**

*America's Repair Specialists*

2723303 5/97

## Free Manuals Download Website

<http://myh66.com>

<http://usermanuals.us>

<http://www.somanuals.com>

<http://www.4manuals.cc>

<http://www.manual-lib.com>

<http://www.404manual.com>

<http://www.luxmanual.com>

<http://aubethermostatmanual.com>

Golf course search by state

<http://golfingnear.com>

Email search by domain

<http://emailbydomain.com>

Auto manuals search

<http://auto.somanuals.com>

TV manuals search

<http://tv.somanuals.com>