

ARCTIC CAT®

2006

400 (VP)

(Manual Transmission)



Model Number A2006ABH4AUSR (Red)
Model Number A2006ABH4AUSG (Green)

Illustrated Parts Manual

TABLE OF CONTENTS

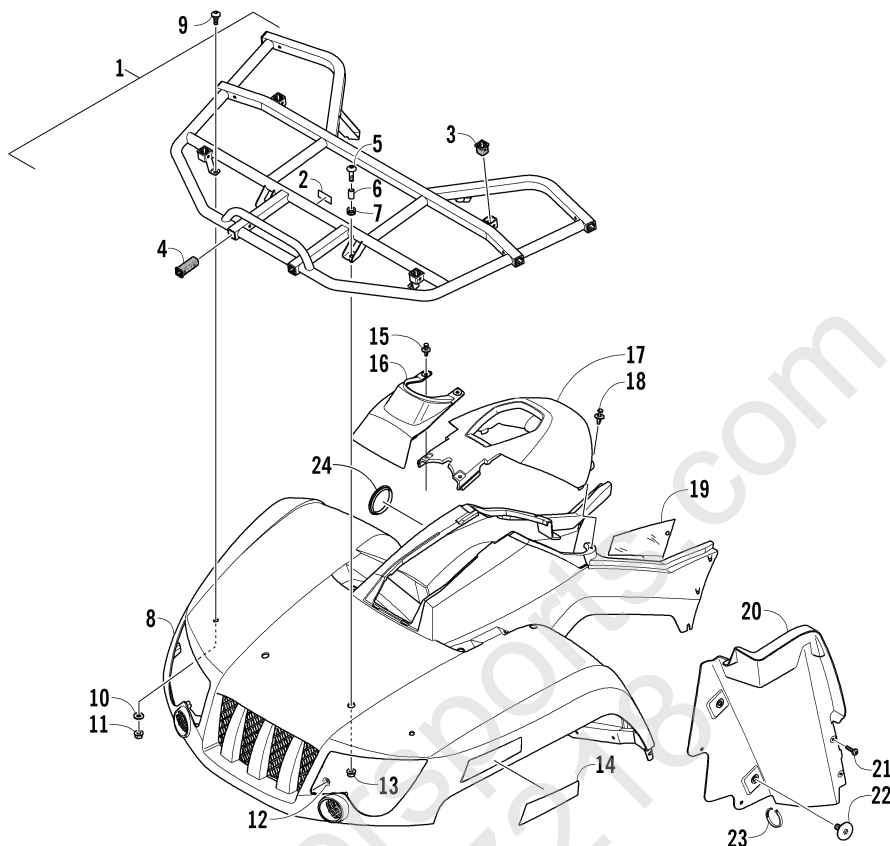
2006 ATV 400 VP (Manual Transmission)

Red (Model No. A2006ABH4AUSR)

Green (Model No. A2006ABH4AUSG)

FRONT BODY PANEL ASSEMBLY.....	1
REAR BODY PANEL ASSEMBLY.....	2
TAILLIGHT ASSEMBLY.....	3
DECALS.....	4
FRAME AND RELATED PARTS.....	5
SEAT ASSEMBLY.....	6
STEERING POST ASSEMBLY.....	7
HANDLEBAR ASSEMBLY.....	8
FRONT SUSPENSION ASSEMBLY.....	9
REAR SUSPENSION ASSEMBLY.....	10
WHEEL AND TIRE ASSEMBLY.....	11
AUXILIARY BRAKE ASSEMBLY.....	12
HYDRAULIC HAND BRAKE ASSEMBLY.....	13
HYDRAULIC BRAKE ASSEMBLY.....	14
GAS TANK ASSEMBLY.....	15
REVERSE SHIFT LEVER ASSEMBLY.....	16
AIR INTAKE ASSEMBLY.....	17
BATTERY ASSEMBLY.....	18
ENGINE AND EXHAUST.....	19
OIL COOLER ASSEMBLY.....	20
FRONT DRIVE GEARCASE ASSEMBLY.....	21
REAR DRIVE GEARCASE ASSEMBLY.....	22
REAR AXLE ASSEMBLY.....	23
WIRING HARNESS ASSEMBLY.....	24
CARBURETOR.....	25
CYLINDER HEAD ASSEMBLY.....	26
CYLINDER ASSEMBLY.....	27
CRANKCASE ASSEMBLY.....	28
CRANKCASE COVER ASSEMBLY.....	29
CRANKSHAFT ASSEMBLY.....	30
STARTER CLUTCH ASSEMBLY.....	31
CRANK BALANCER ASSEMBLY.....	32
CAMSHAFT/VALVE ASSEMBLY.....	33
CAM CHAIN ASSEMBLY.....	34
RECOIL STARTER ASSEMBLY.....	35
OIL FILTER/PUMP ASSEMBLY.....	36
CLUTCH ASSEMBLY.....	37
TRANSMISSION ASSEMBLY.....	38
SECONDARY TRANSMISSION ASSEMBLY.....	39
SECONDARY DRIVE ASSEMBLY.....	40
GEAR SHIFTING ASSEMBLY.....	41
SECONDARY SHIFTING ASSEMBLY.....	42
STARTER MOTOR ASSEMBLY.....	43
MAGNETO ASSEMBLY.....	44
CONTROL SWITCH HOUSING ASSEMBLY.....	45
THROTTLE CASE ASSEMBLY.....	46
RELATED ITEMS.....	Back Cover

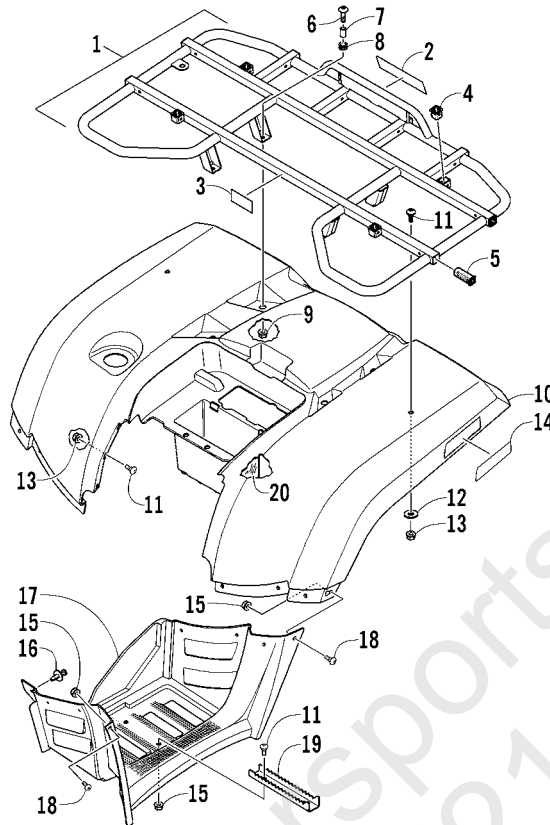
■ NOTE: The illustrations used in this Parts Manual are for reference to replacement part numbers only and are not to be used for assembly. For assembly procedures, use an Arctic Cat Service Manual. Underlined part numbers are new for the 2006 model year.



FRONT BODY PANEL ASSEMBLY

0740-509

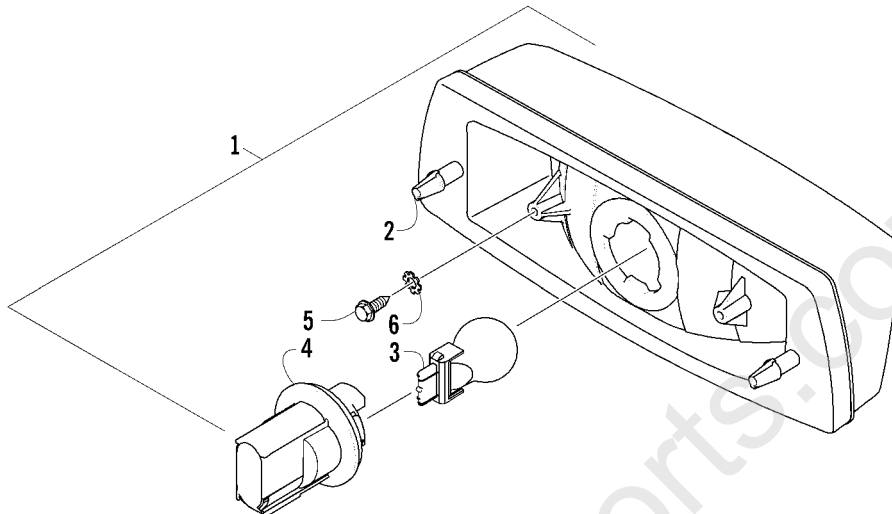
Ref.	Part No.	Qty.	Description	Ref.	Part No.	Qty.	Description
1	1506-750	1	Rack - Front - Assembly (inc. 2-4)	15	0623-362	4	Rivet, Plastic - Reinstallable
2	0411-576	1	● Decal, Warning - Front Rack Load	16	1406-867	1	Cover, Steering Post - Red
3	0441-592	4	● Bushing, Rack		1406-970	1	Cover, Steering Post - Green (Green)
4	2406-014	6	● Bushing, Rack	17	1406-956	1	Cover, Gas Tank - Red
5	8410-830	4	Screw, Machine		1406-957	1	Cover, Gas Tank - Green (Green)
6	0423-463	4	Spacer	18	0623-544	2	Plug
7	0423-465	4	Grommet	19	0412-356	1	Shield, Heat - Fender - Front
8	1506-819	1	Panel, Fender - Front - Red	20	1406-906	1	Panel, Splash - Right
	1506-820	1	Panel, Fender - Front - Green (Green)		1406-907	1	Panel, Splash - Left
9	0423-355	2	Screw, Shoulder	21	0423-342	4	Screw, Self-Tapping
10	8050-222	2	Washer	22	0423-101	3	Screw, Body
11	8424-602	2	Nut, Lock	23	0123-788	AR	Cable Tie - 7.5 in.
12	0423-357	2	Nut, Stamped	24	0470-404	1	Grommet, Fuel Shut-Off Valve Knob
13	8432-802	4	Nut, Lock				
14	1411-078	1	Decal, Reflector - Front - Right				
	1411-079	1	Decal, Reflector - Front - Left				



REAR BODY PANEL ASSEMBLY

0740-305

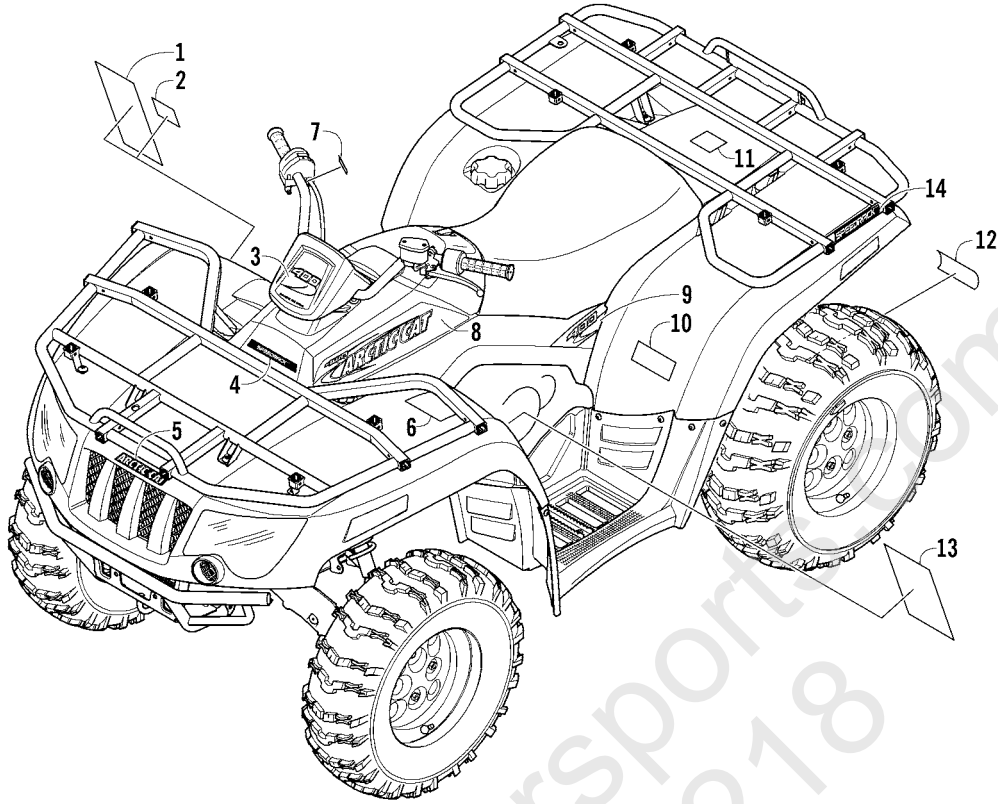
Ref.	Part No.	Qty.	Description	Ref.	Part No.	Qty.	Description
1	<u>1506-753</u>	1	Rack - Rear - Assembly (inc. 2-5)	12	8050-222	2	Washer
2	0411-814	1	● Decal, "Arctic Cat"	13	8424-602	8	Nut, Lock
3	0411-648	1	● Decal, Warning - Rear Rack Load	14	<u>1411-080</u>	1	Decal, Reflector - Rear - Right
4	0441-592	4	● Bushing, Rack		<u>1411-081</u>	1	Decal, Reflector - Rear - Left
5	<u>2406-014</u>	8	● Bushing, Rack	15	0423-540	16	Nut, Lock
6	8410-830	4	Screw, Machine	16	0623-362	4	Rivet, Reinstallable
7	0423-463	4	Spacer	17	<u>1406-950</u>	1	Footwell - Right
8	0423-465	4	Grommet		<u>1406-951</u>	1	Footwell - Left
9	8432-802	4	Nut, Lock	18	0423-419	12	Screw, Body
10	<u>1406-953</u>	1	Panel, Fender - Rear - Red	19	1506-125	2	Footpeg
	<u>1406-954</u>	1	Panel, Fender - Rear - Green (Green)	20	<u>0412-351</u>	1	Shield, Heat
11	0423-355	12	Screw, Shoulder				



TAILLIGHT ASSEMBLY

0739-667

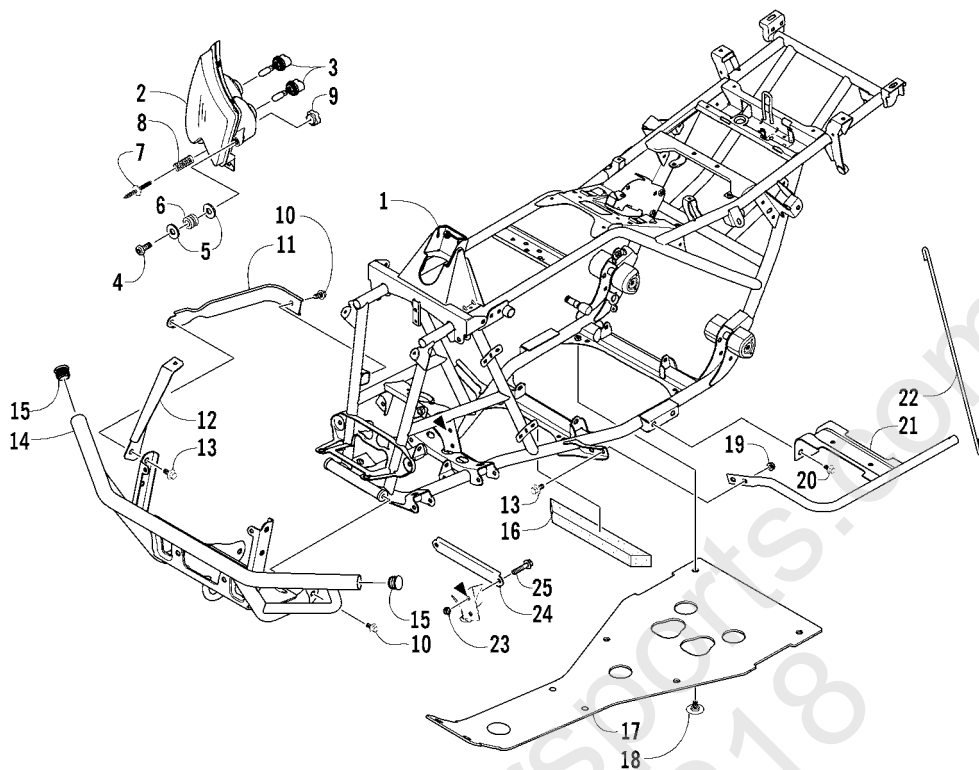
Ref.	Part No.	Qty.	Description	Ref.	Part No.	Qty.	Description
1	0509-022	1	Taillight Assembly (inc. 2-4)	4	0409-057	1	● Socket, Taillight
2	0509-025	1	● Housing, Taillight	5	0623-301	2	Screw, Self-Tapping
3	0409-056	1	● Bulb, Taillight	6	8053-212	2	Washer, Lock - External Tooth



DECALS

0740-574 *Included on Front/Rear Fender Panels

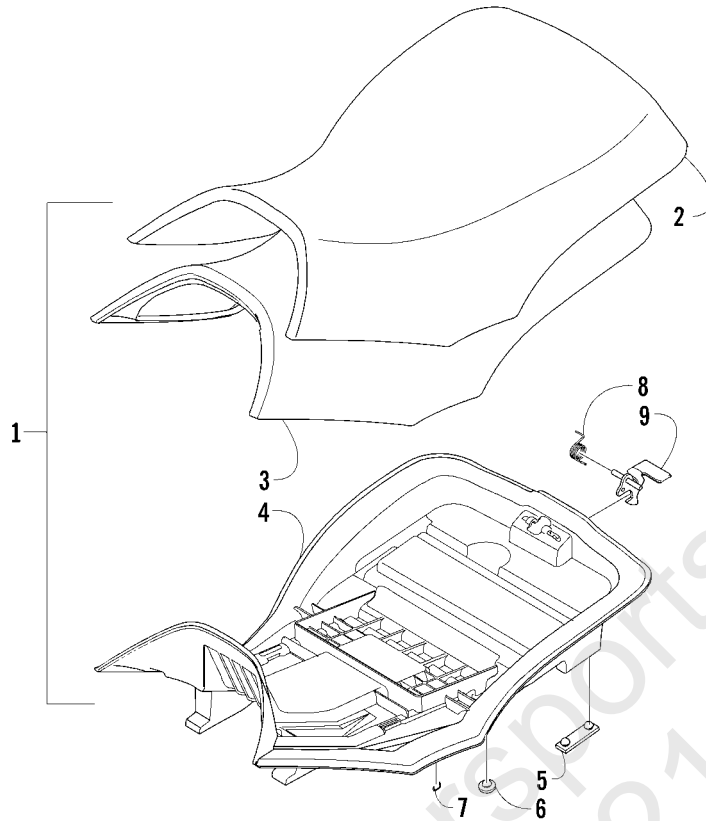
Ref.	Part No.	Qty.	Description	Ref.	Part No.	Qty.	Description
1	1411-250	1	Decal, Warning - Reverse/Pre-Ride*	9	1411-060	1	Decal, Side - Lower Right
2	0411-835	1	Decal, Warning - Hill		1411-061	1	Decal, Side - Lower Left
3	1411-047	1	Decal, Instrument Pod		1411-062	1	Decal, Side - Lower Right (Green)
	1411-048	1	Decal, Instrument Pod (Green)		1411-063	1	Decal, Side - Lower Left (Green)
4	1411-051	1	Decal, "Speedrack"	10	0411-430	1	Decal, Warning - Tire Pressure
	1411-052	1	Decal, "Speedrack" (Green)	11	0411-435	1	Decal, Warning - Passenger
5	0411-840	1	Decal, Front	12	0411-267	1	Decal, Warning - Towing
	0411-839	1	Decal, Front (Green)	13	0411-218	1	Decal, Warning - General*
6	0411-401	1	Decal, Warning - Age*	14	0411-965	2	Decal, "Speedrack"
7	0411-966	1	Decal, Warning - Differential Lock				
8	1411-054	1	Decal, Side - Upper Right				
	1411-055	1	Decal, Side - Upper Left				
	1411-056	1	Decal, Side - Upper Right (Green)				
	1411-057	1	Decal, Side - Upper Left (Green)				



FRAME AND RELATED PARTS

0740-297

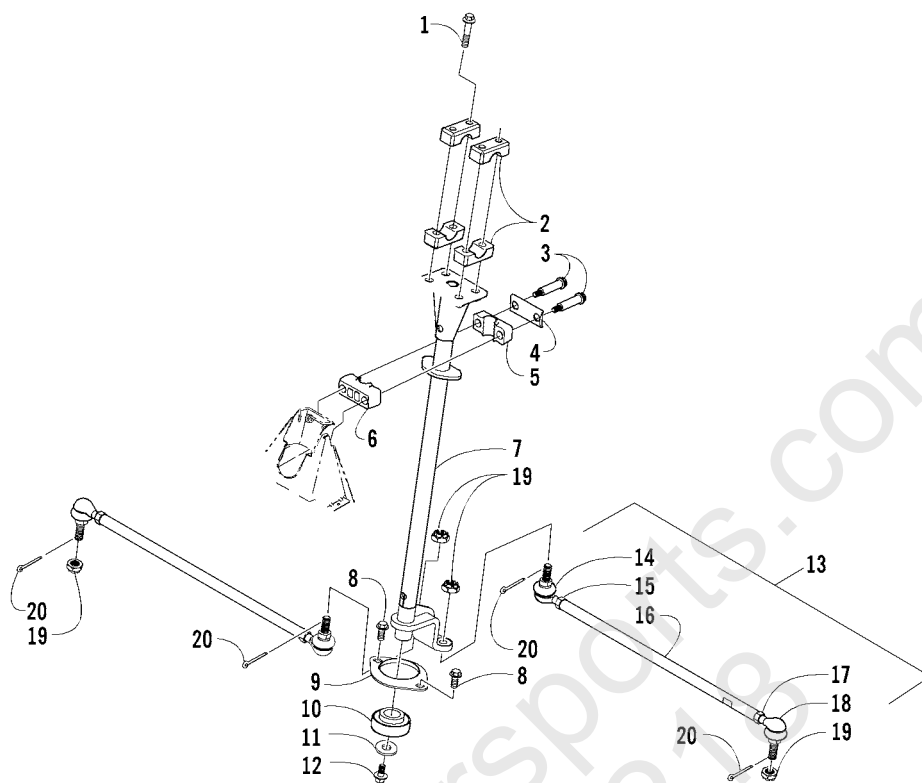
Ref.	Part No.	Qty.	Description	Ref.	Part No.	Qty.	Description
1	1506-716	1	Frame, Main	13	8408-816	6	Screw, Cap
2	0509-027	1	Headlight Assembly - Right (inc. 3)	14	1506-800	1	Bumper, Front
	0509-028	1	Headlight Assembly - Left (inc. 3)	15	2406-030	2	Cap, Tube
3	0409-073	4	● Bulb, Headlight	16	1506-067	1	Foam, Frame
4	0623-785	4	Screw, Self-Tapping	17	0406-864	1	Panel, Belly
5	8050-217	8	Washer	18	0423-101	6	Screw, Body
6	0423-447	4	Grommet	19	8424-802	4	Nut, Flange
7	0423-514	2	Stud, Adjuster - Headlight	20	8409-016	4	Screw, Cap
8	0423-522	2	Spring, Adjuster - Headlight	21	1506-659	1	Footrest - Right
9	0423-513	2	Knob, Adjuster - Headlight		1506-660	1	Footrest - Left
10	8409-020	4	Screw, Cap	22	1406-853	2	Rod, Support
11	0506-653	1	Channel, Bumper Mounting - Right	23	8408-002	2	Nut, Hex
	1506-596	1	Channel, Bumper Mounting - Left	24	1506-429	1	Brace, A-Arm
12	1506-686	1	Bracket, Mounting - Bumper - Right	25	8408-025	2	Screw, Cap
	1506-687	1	Bracket, Mounting - Bumper - Left				



SEAT ASSEMBLY

0739-690

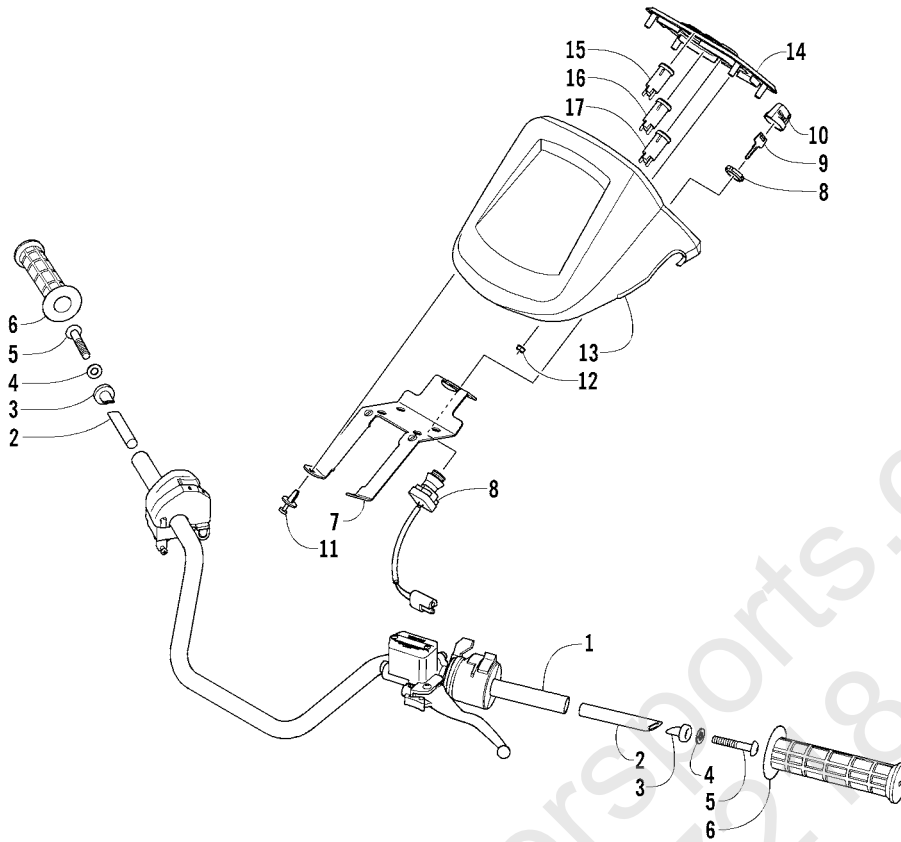
Ref.	Part No.	Qty.	Description	Ref.	Part No.	Qty.	Description
1	<u>1506-937</u>	1	Seat Assembly (inc. 2-9)	6	0406-877	4	●● Bumper, Seat - Front
2	1506-209	1	● Cover, Seat	7	0624-528	AR	● Staple
3	1506-208	1	● Foam, Seat	8	1406-592	1	● Spring, Seat Latch
4	<u>2406-144</u>	1	● Base, Seat Assembly (inc. 5-6)	9	1506-156	1	● Latch, Seat
5	0406-879	2	●● Bumper, Seat - Rear				



STEERING POST ASSEMBLY

0739-774

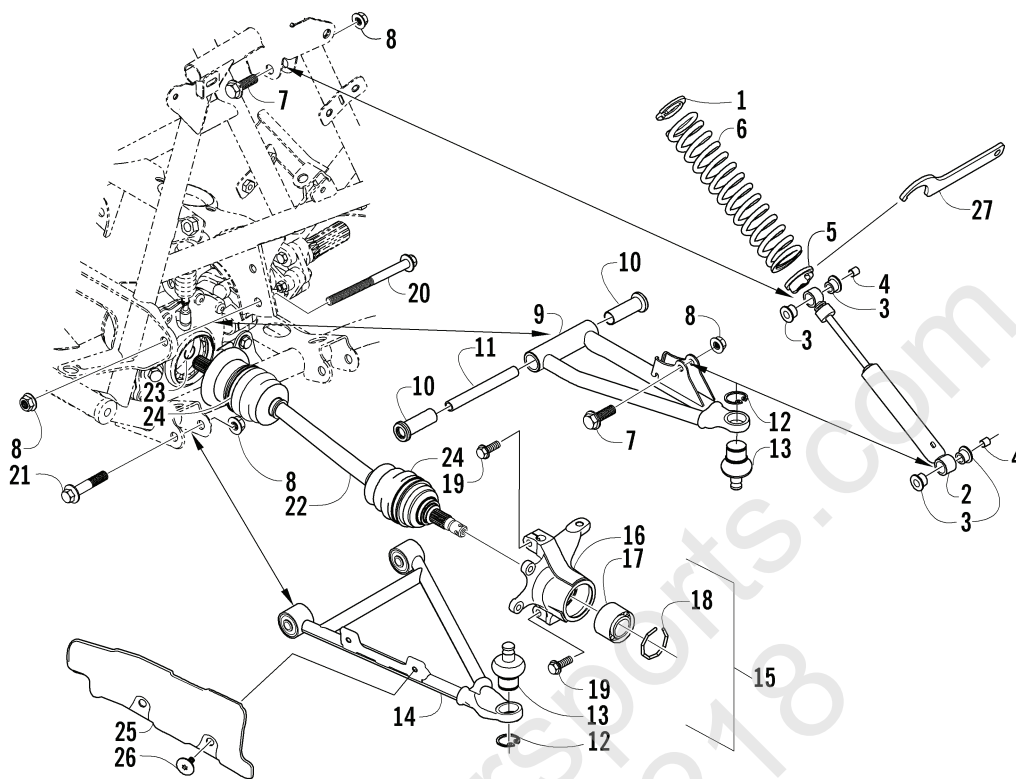
Ref.	Part No.	Qty.	Description	Ref.	Part No.	Qty.	Description
1	8408-860	4	Screw, Cap	11	0423-073	1	Washer
2	0405-035	4	Cap, Steering Adjuster	12	8409-020	1	Screw, Cap
3	0423-505	2	Screw, Shoulder	13	0505-072	2	Tie Rod - Assembly (inc. 14-18)
4	0405-166	1	Cap, Housing	14	0405-083	2	● Ball Joint, Tie Rod - Left
5	0405-138	1	Housing, Lower	15	0423-013	2	● Nut - Left
6	0405-139	1	Housing, Upper	16	0405-032	2	● Tie Rod
7	0505-451	1	Post, Steering	17	8420-002	2	● Nut - Right
8	8408-816	2	Screw, Cap	18	0405-082	2	● Ball Joint, Tie Rod - Right
9	0602-233	1	Flange, Bearing	19	0423-157	4	Nut, Top Lock
10	0405-052	1	Bearing w/Inverted Oil Seal	20	0623-175	4	Pin, Cotter



HANDLEBAR ASSEMBLY

0740-540

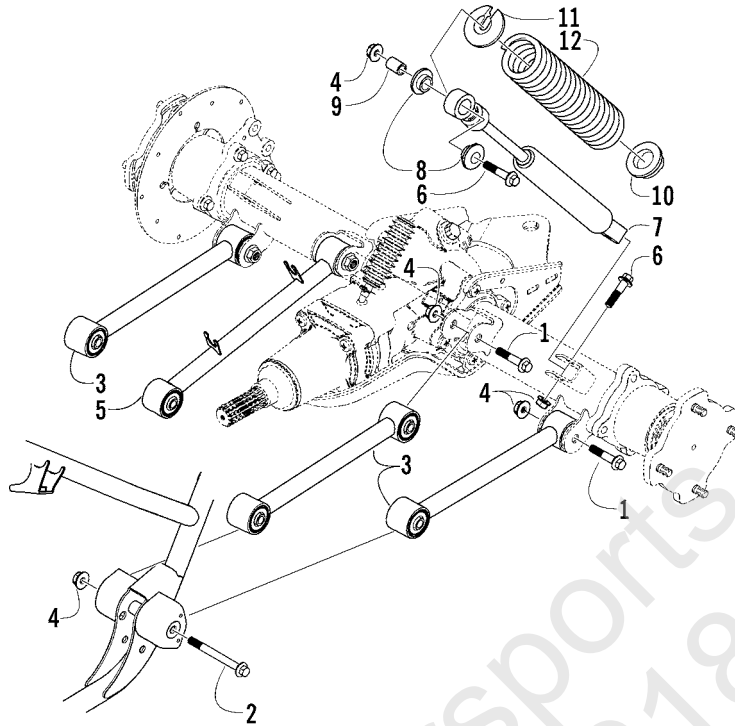
Ref.	Part No.	Qty.	Description	Ref.	Part No.	Qty.	Description
1	0505-418	1	Tube, Handlebar - Black	10	0409-013	1	Cover, Key
2	0405-148	2	Plug, Handlebar	11	0423-535	2	Rivet, Plastic - Reinstallable
3	0405-149	2	End Cap, Handlebar	12	0423-357	4	Nut, Stamped
4	8050-247	2	Washer	13	0405-192	1	Instrument Pod - Red
5	8477-845	2	Screw, Machine		0405-193	1	Instrument Pod - Green (Green)
6	0405-147	2	Grip, Handlebar	14	0405-198	1	Bezel, Lights - Instrument Pod
7	1506-578	1	Bracket, Gauge - Black	15	0420-068	1	Light, Indicator - "Temperature"
8	3430-040	1	Switch, Ignition - Assembly (inc. 9)	16	0420-066	1	Light, Indicator - "N"
9	3409-007	1	● Key, Ignition - Blank (C Series)	17	0420-067	1	Light, Indicator - "R"
	3409-011	1	● Key, Ignition - Blank (D Series)				
	3409-012	1	● Key, Ignition - Blank (E Series)				
	3409-013	1	● Key, Ignition - Blank (F Series)				



FRONT SUSPENSION ASSEMBLY

0740-243 *Not a Service Part

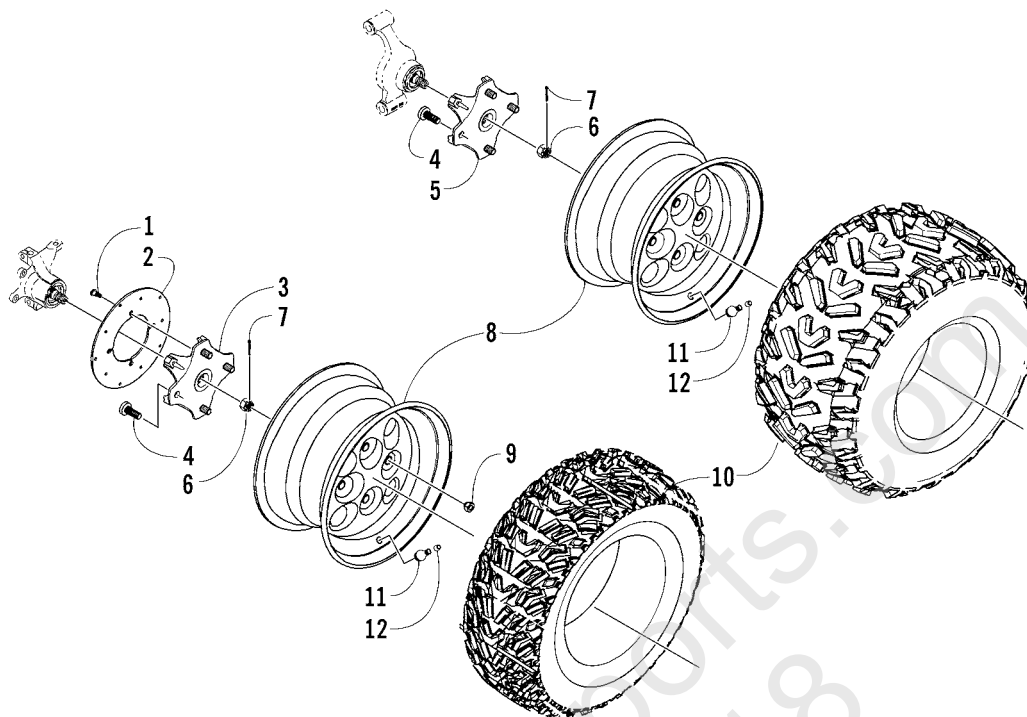
Ref.	Part No.	Qty.	Description	Ref.	Part No.	Qty.	Description
1	1603-889	2	Retainer, Spring	15	0505-460	1	Knuckle - Assembly - Right (inc. 16-18)
2	0403-144	2	Shock Absorber - Front (inc. 3-4)		0505-461	1	Knuckle - Assembly - Left (inc. 16-18)
3	0604-310	8	● Bushing, Shock Absorber	16	*	1	● Knuckle, Steering - Right
4	0403-028	4	● Sleeve, Shock		*	1	● Knuckle, Steering - Left
5	0403-102	2	Cam, Spring Adjuster	17	1402-027	2	● Bearing, Wheel Hub
6	0403-103	2	Spring, Shock Absorber	18	0423-423	2	● Ring, Retaining
7	8409-040	4	Screw, Cap	19	8409-030	4	Screw, Cap
8	8428-002	10	Nut, Lock	20	0423-334	2	Screw, Cap
9	0503-192	1	A-Arm, Upper Right - Black (inc. 10-13)	21	8409-075	4	Screw, Cap
	0503-193	1	A-Arm, Upper Left - Black (inc. 10-13)	22	0502-814	2	Axle, Drive - Front (inc. 23-24)
10	0403-081	4	● Bushing	23	1441-109	2	● Clip, Retaining
11	0403-080	2	● Collar	24	0436-276	2	● Repair Kit, Boot - Front Axle
12	0423-009	4	● Clip, Ball Joint	25	0406-944	1	Guard, Boot - Axle - Right
13	0405-115	4	● Ball Joint - Front		0406-927	1	Guard, Boot - Axle - Left
14	0503-292	1	A-Arm, Lower Right (inc. two No. 12-13)	26	0423-101	4	Screw, Body
	0503-291	1	A-Arm, Lower Left (inc. two No. 12-13)	27	0441-587	1	Wrench, Spanner



REAR SUSPENSION ASSEMBLY

0737-585

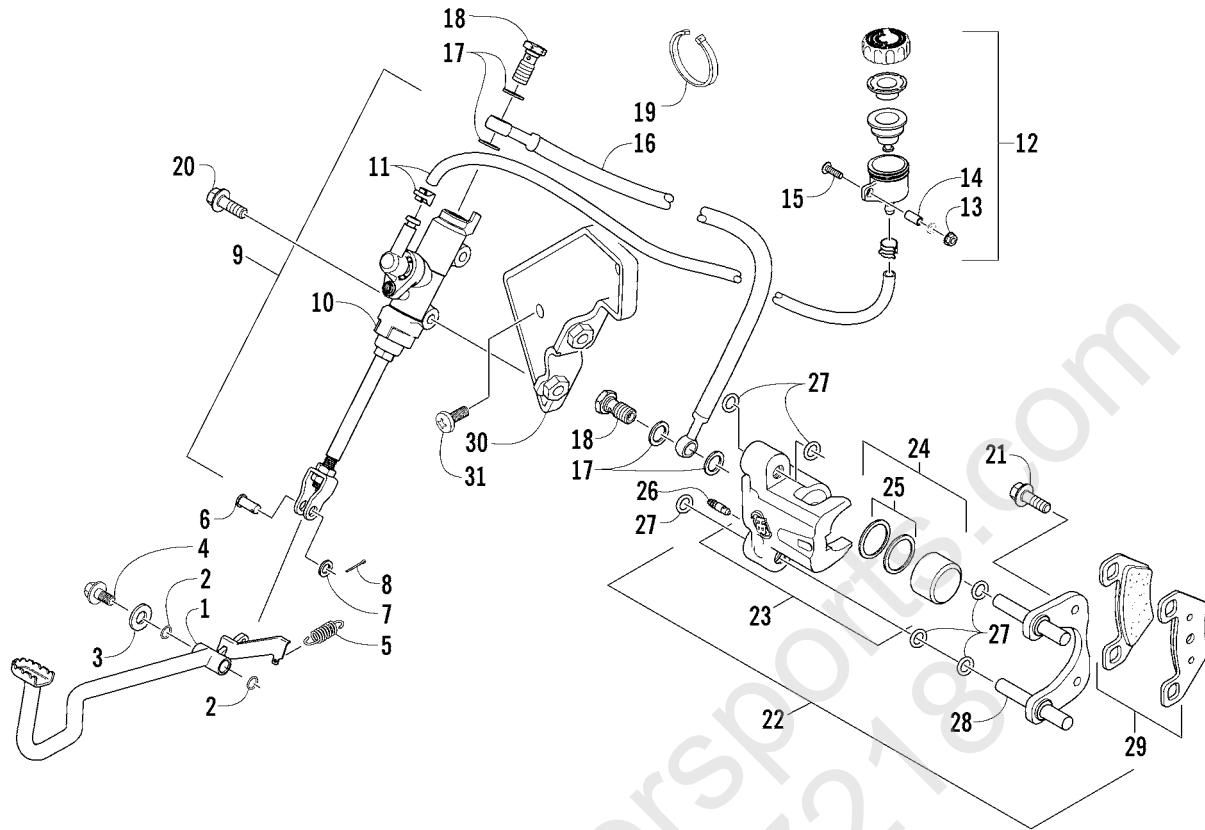
Ref.	Part No.	Qty.	Description	Ref.	Part No.	Qty.	Description
1	8409-060	4	Screw, Cap	7	<u>0404-107</u>	2	Shock Absorber - Rear (inc. 8-9)
2	0423-335	2	Screw, Cap	8	0604-310	8	● Bushing, Shock Absorber
3	0504-218	3	Arm, Swing	9	0403-028	4	● Sleeve, Shock Absorber
4	8428-002	10	Nut, Lock	10	0403-102	2	Cam, Spring Adjuster
5	0504-215	1	Arm, Swing	11	1603-889	2	Retainer, Spring - Upper
6	8409-040	4	Screw, Cap	12	<u>0404-108</u>	2	Spring, Shock Absorber - Black



WHEEL AND TIRE ASSEMBLY

0740-518

Ref.	Part No.	Qty.	Description	Ref.	Part No.	Qty.	Description
1	0423-557	12	Screw, Shoulder w/Loctite	8	0402-856	2	Wheel - Front - Gray
2	1402-225	3	Disc, Brake		0402-989	2	Wheel - Rear - Gray
3	0502-599	2	Hub, Wheel - Front (inc. 4)	9	0423-408	16	Nut, Mounting - Wheel
4	0402-974	16	● Stud, Wheel Hub	10	1402-360	2	Tire - Front
5	0502-601	1	Hub, Wheel - Rear - Left (inc. 4)		1402-361	2	Tire - Rear
	0502-599	1	Hub, Wheel - Rear - Right (inc. 4)	11	0402-064	4	Stem, Valve (inc. 12)
6	0423-607	4	Nut, Castle	12	0402-140	4	● Cap, Valve Stem
7	0423-407	4	Pin, Cotter				

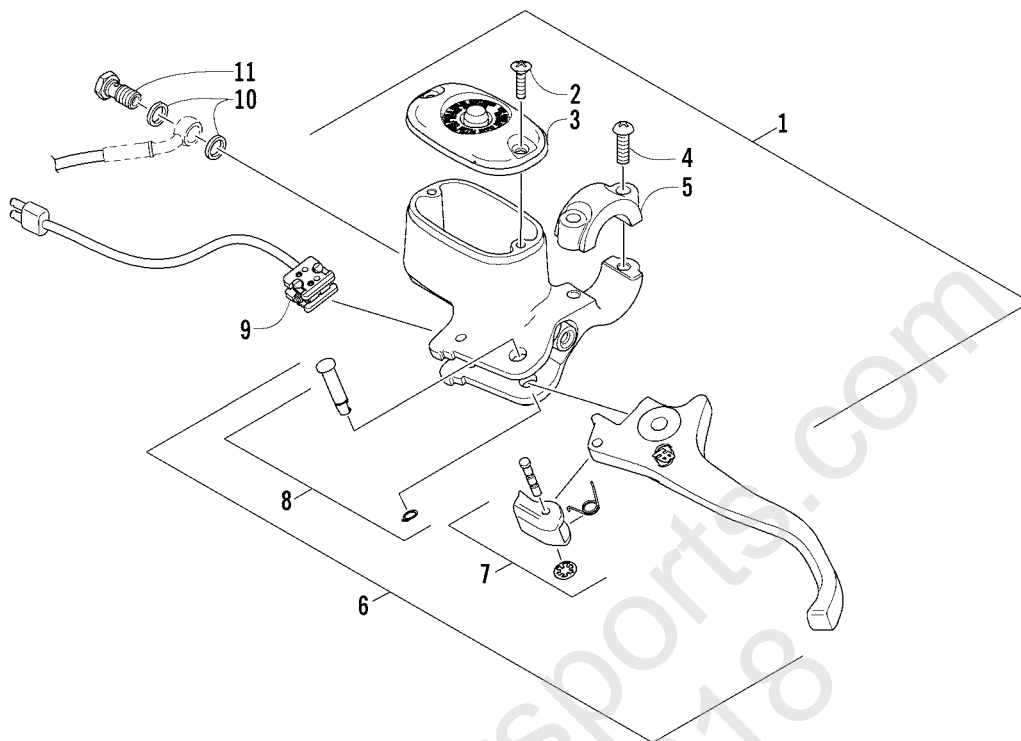


AUXILIARY BRAKE ASSEMBLY

(Fully Bled Master Cylinder Replacement Kit p/n 0502-940)

0740-522 *Not a Service Part

Ref.	Part No.	Qty.	Description	Ref.	Part No.	Qty.	Description
1	<u>0502-789</u>	1	Lever, Brake	17	0423-178	4	Washer, Crush
2	1602-213	2	O-Ring	18	0423-413	2	Bolt, Banjo Fitting
3	8050-252	1	Washer	19	0123-788	1	Cable Tie - 7.5 in.
4	8408-816	1	Screw, Cap	20	8408-625	2	Screw, Cap
5	<u>1402-407</u>	1	Spring, Brake Lever	21	8408-820	2	Screw, Cap
6	1402-377	1	Pin, Clevis	22	0502-602	1	Caliper, Brake (inc. 23-29)
7	8050-217	1	Washer	23	0502-603	1	● Housing, Caliper - Assembly - Right Front (inc. 24-26)
8	0402-584	1	Pin, Cotter	24	0502-606	1	●● Piston/Seal Set (inc. 25)
9	<u>0502-941</u>	1	Brake Assembly (inc. 10-12)	25	0502-607	1	●●● Seal Set
10	*	1	● Master Cylinder	26	0502-609	1	●● Valve, Bleed
11	<u>0502-886</u>	1	● Hose, Brake Reservoir	27	0502-608	1	● O-Ring, Guide - Set
12	<u>0502-877</u>	1	● Reservoir, Brake	28	0502-605	1	● Bracket Assembly
13	8424-602	1	Nut, Flanged	29	0502-604	1	● Pad, Brake - Set
14	0423-608	1	Spacer	30	<u>0502-873</u>	1	Bracket, Master Cylinder
15	8476-640	1	Screw, Machine	31	8471-616	2	Screw, Machine
16	<u>1402-418</u>	1	Hose, Brake - Rear				

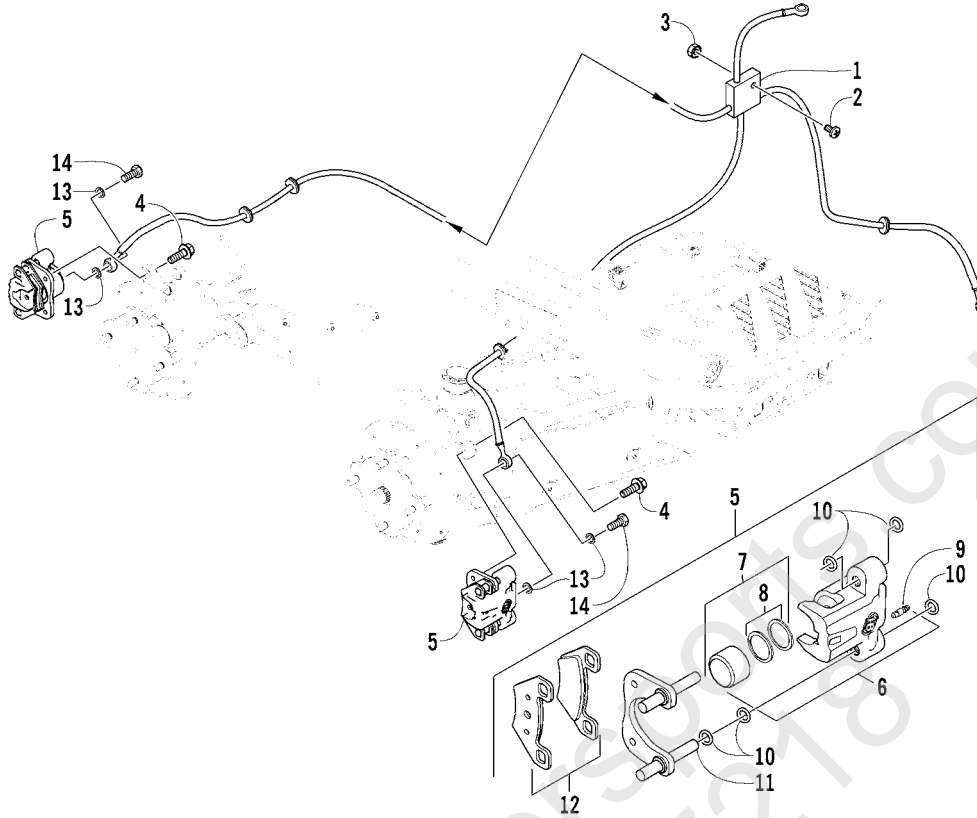


HYDRAULIC HAND BRAKE ASSEMBLY

(Master Cylinder Rebuild Kit p/n 0502-704)

0740-525

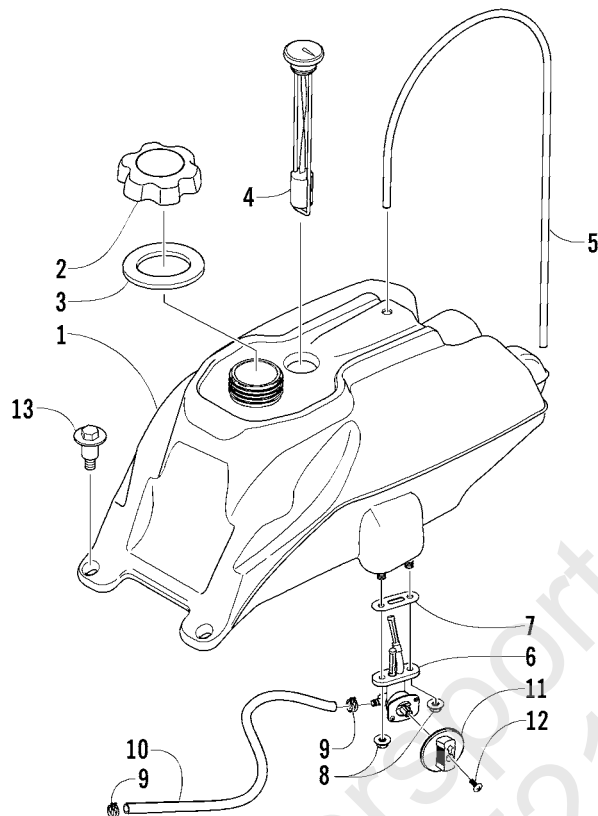
Ref.	Part No.	Qty.	Description	Ref.	Part No.	Qty.	Description
1	<u>0502-914</u>	1	Brake Assembly (inc. 2-9)	7	<u>0502-867</u>	1	●● Lock, Brake Lever - Kit
2	<u>0502-566</u>	1	● Screw, Reservoir Cover - Kit	8	0502-580	1	●● Lever Pin - Kit
3	<u>0502-868</u>	1	● Cover, Reservoir - Kit	9	0502-564	1	● Switch, Brake - Kit
4	<u>0502-568</u>	1	● Screw, Master Cylinder Clamp - Kit	10	0423-178	2	Washer, Crush
5	<u>0502-869</u>	1	● Clamp, Master Cylinder - Kit	11	0423-413	1	Bolt, Banjo Fitting
6	<u>0502-866</u>	1	● Lever Assembly - Kit (inc. 7-8)				



HYDRAULIC BRAKE ASSEMBLY

0740-580

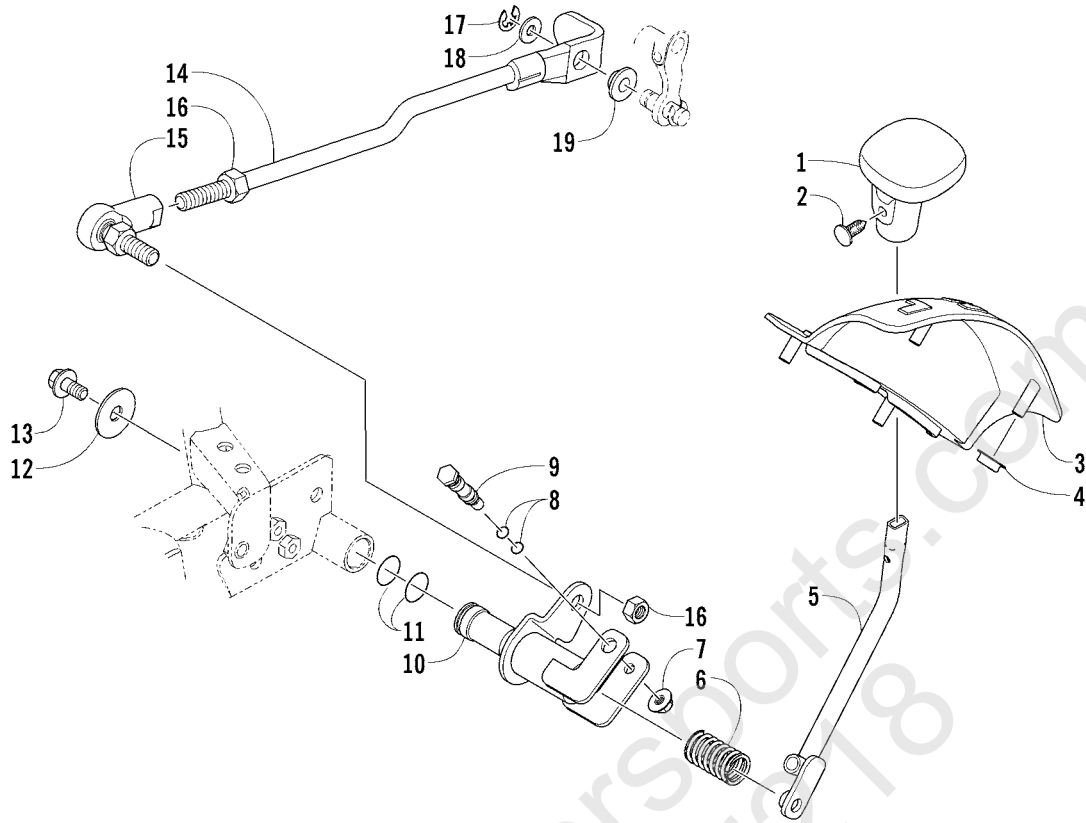
Ref.	Part No.	Qty.	Description	Ref.	Part No.	Qty.	Description
1	0502-883	1	Hose, Brake - Assembly	7	0502-606	3	●● Piston/Seal Set (inc. 8)
2	8476-625	1	Screw, Cap	8	0502-607	3	●●● Seal Set
3	0623-038	1	Nut, Hex	9	0502-609	3	●● Valve, Bleed
4	8408-820	6	Screw, Cap	10	0502-608	3	● O-Ring, Guide - Set
5	0502-602	1	Caliper, Brake - Right Front (inc. 6-12)	11	0502-605	3	● Bracket Assembly
	0502-610	2	Caliper, Brake - Left Front and Right Rear (inc. 6-12)	12	0502-604	3	● Pad, Brake - Set
6	0502-603	1	● Housing, Caliper - Assembly - Right Front (inc. 7-9)	13	0423-178	6	Washer, Crush
	0502-611	2	● Housing, Caliper - Assembly - Left Front and Right Rear (inc. 7-9)	14	0423-413	3	Bolt, Banjo Fitting



GAS TANK ASSEMBLY

0740-526

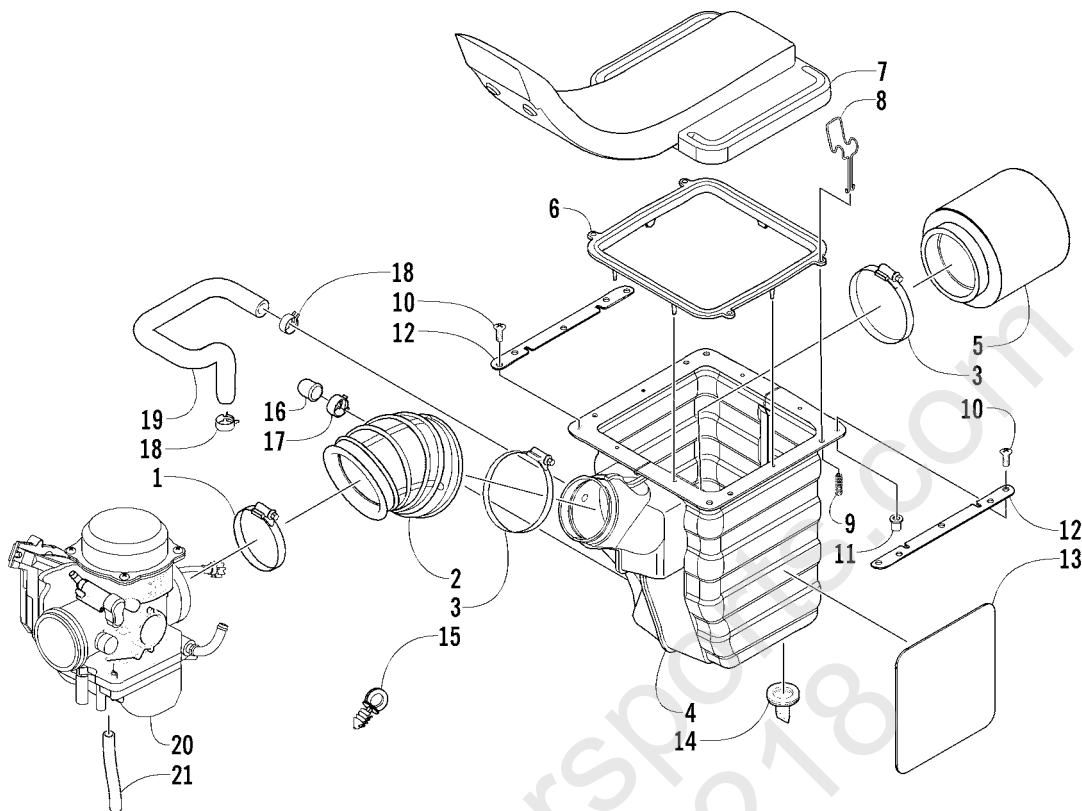
Ref.	Part No.	Qty.	Description	Ref.	Part No.	Qty.	Description
1	0570-109	1	Tank, Gas - Assembly (inc. 2-10)	8	0423-398	2	● Nut, Lock
2	0470-438	1	● Cap, Gas Tank (inc. 3)	9	0423-152	2	● Clamp, Hose - Spring
3	0109-733	1	●● Gasket, Tank Cap	10	0610-007	AR	● Hose, Gasline - 25 ft
4	0570-086	1	● Gauge, Fuel w/Gasket (Press-Fit)	11	0470-408	1	Knob, Fuel Shut-Off Valve
5	0470-416	1	● Hose, Vent	12	0423-146	1	Screw, Fuel Shut-Off Valve Knob
6	0470-445	1	● Valve, Fuel Shut-Off (inc. 7)	13	0423-106	2	Screw, Gas Tank
7	0470-364	1	●● Gasket, Fuel Shut-Off Valve				



REVERSE SHIFT LEVER ASSEMBLY

0740-535

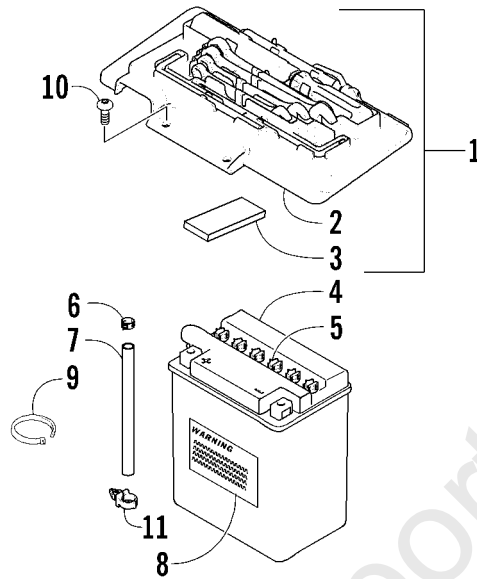
Ref.	Part No.	Qty.	Description	Ref.	Part No.	Qty.	Description
1	0402-843	1	Handle, Reverse Shift Lever	11	0423-299	2	O-Ring
2	0423-345	1	Clip, Push	12	0423-087	1	Washer
3	<u>1402-335</u>	1	Plate, Shift	13	8408-812	1	Screw, Cap
4	0423-357	4	Nut, Stamped	14	0502-589	1	Linkage, Shift
5	0502-659	1	Lever, Shift	15	1402-270	1	End, Rod
6	0502-410	1	Spring, Reverse Shift Lever	16	0623-294	2	Nut
7	8424-602	1	Nut	17	0423-169	1	E-Ring
8	0423-182	2	O-Ring	18	3423-204	1	Washer
9	0402-675	1	Axle, Pivot	19	0423-091	1	Bushing, Shift Linkage
10	<u>0502-760</u>	1	Axle, Reverse Shift Lever - Black				



AIR INTAKE ASSEMBLY

0740-792

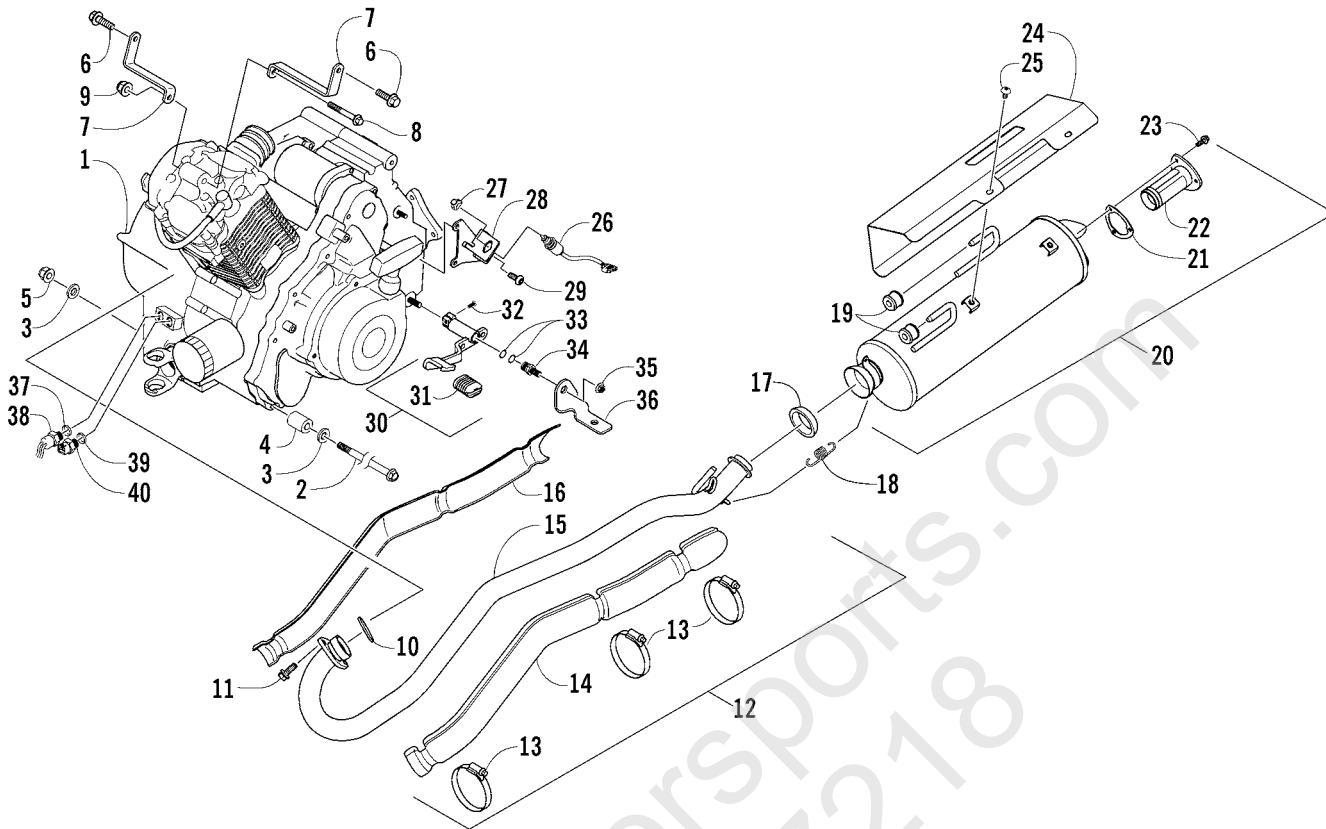
Ref.	Part No.	Qty.	Description	Ref.	Part No.	Qty.	Description
1	0423-019	1	Clamp	12	0470-351	2	Support, Air Intake Flange
2	0470-467	1	Boot, Air Intake	13	0412-141	1	Shield, Heat
3	0423-018	2	Clamp	14	0470-442	1	Valve, Drain
4	0470-446	1	Housing, Air Intake	15	0623-101	1	Clip, Routing - Snap-In
5	0470-391	1	Filter, Air (inc. one No. 3)	16	1673-272	1	Cap, Drain Tube
6	0470-343	1	Gasket	17	0423-047	1	Clamp, Hose
7	0470-383	1	Snorkel	18	0423-045	2	Clamp, Hose - Spring
8	0470-307	4	Clamp	19	0410-045	1	Hose, Crankcase Vent
9	0423-037	4	Spring	20	0470-470	1	Carburetor, CVK34-AE
10	0623-121	4	Screw, Machine	21	0510-592	1	Hose, Carburetor Drain
11	0123-010	4	Nut, Expansion				



BATTERY ASSEMBLY

0740-445 *Not Illustrated

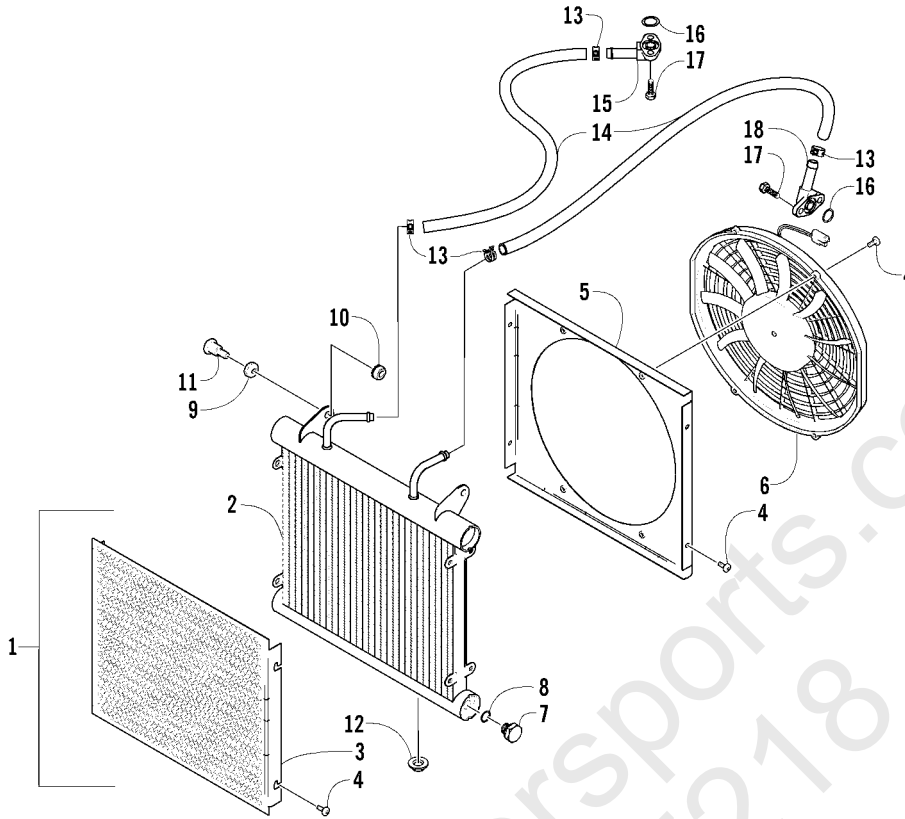
Ref.	Part No.	Qty.	Description	Ref.	Part No.	Qty.	Description
1	5990-839	1	Battery Cover/Tool Tray Assembly (inc. 2-3)	6	0645-152	1	● Clamp, Hose
2	1406-507	1	● Cover, Battery	7	0645-263	1	● Hose, Battery Vent
3	0406-288	2	● Pad, Battery	8	0645-151	1	● Label, Warning - Battery
*	0444-122	1	Kit, Tool	9	0123-903	4	Cable Tie - 11.5 in.
4	0745-045	1	Battery Assembly (inc. 5-8)	10	8476-616	2	Screw, Machine
5	0645-045	6	● Cap, Battery	11	0623-101	1	Clip, Routing - Snap-In



ENGINE AND EXHAUST

0740-536

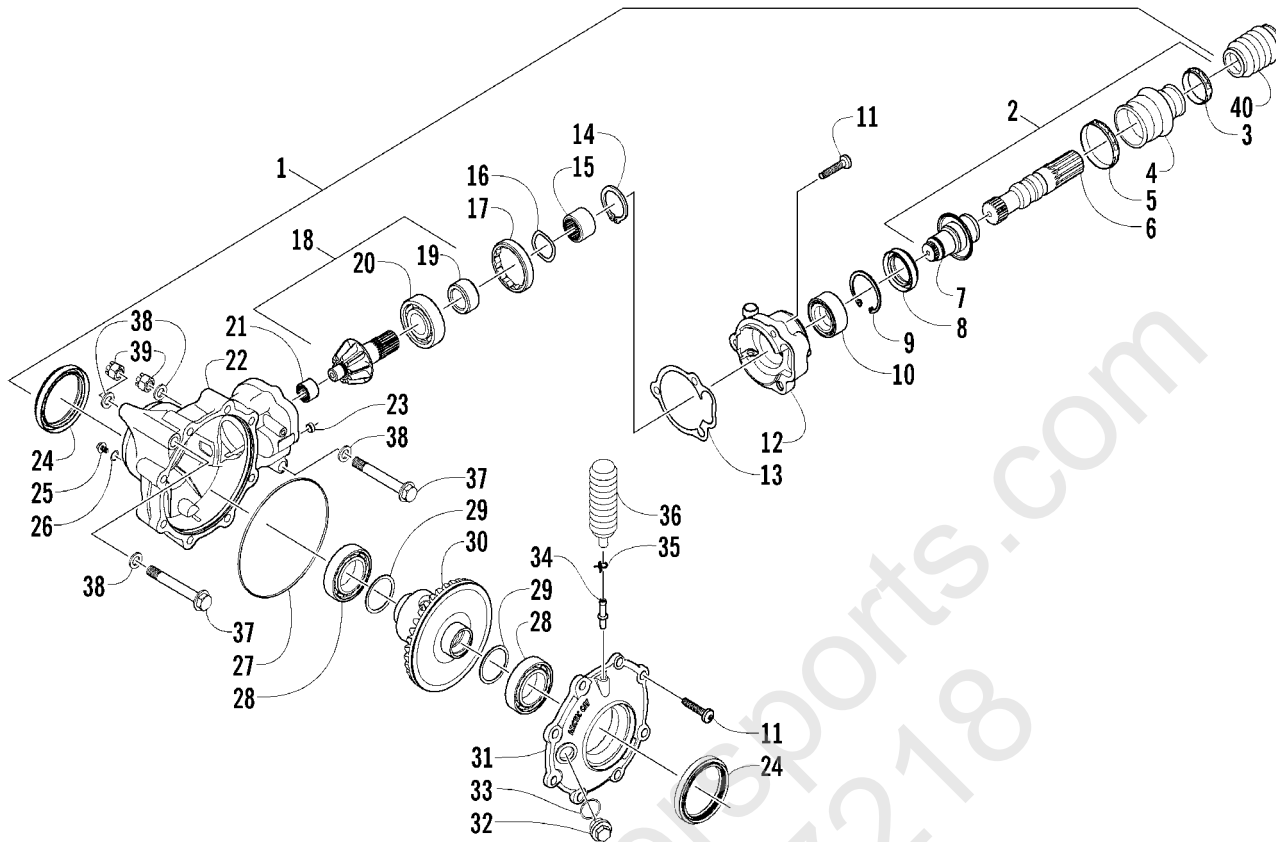
Ref.	Part No.	Qty.	Description	Ref.	Part No.	Qty.	Description
1	0462-037	1	Engine	21	<u>0412-313</u>	1	● Gasket, Spark Arrester
2	0423-405	2	Screw, Cap	22	<u>0512-219</u>	1	● Spark Arrester, Assembly
3	0423-426	4	Washer, Engine	23	<u>8408-616</u>	3	● Screw, Cap
4	0423-042	2	Spacer, Engine	24	<u>0412-329</u>	1	Cover, Muffler
5	8428-002	2	Nut, Lock	25	8477-610	4	Screw, Machine
6	8408-816	2	Screw, Cap	26	0409-008	1	Switch, Reverse
7	1506-626	1	Bracket, Engine - Right	27	0402-991	1	Retainer, Reverse Switch
	1506-625	1	Bracket, Engine - Left	28	1506-449	1	Bracket, Mounting - Reverse Switch (inc. 29)
8	8408-860	1	Screw, Cap	29	0423-361	1	● Screw, Machine
9	8424-802	3	Nut	30	<u>0502-871</u>	1	Shifter, Toe - Assembly (inc. 31-32)
10	0412-007	1	Seal, Exhaust	31	1402-284	1	● Pad, Toe - Shift Lever
11	8408-820	2	Screw, Cap	32	8476-620	1	● Screw, Machine
12	<u>0512-257</u>	1	Pipe, Exhaust - Assembly (inc. 13-16)	33	1602-213	2	O-Ring
13	<u>0423-317</u>	3	● Clamp, Hose	34	0402-994	1	Pin, Shift Lever
14	<u>0412-344</u>	1	● Shield, Exhaust Pipe - Outer	35	8422-002	1	Nut
15	<u>0512-263</u>	1	● Pipe, Exhaust	36	<u>1506-693</u>	1	Bracket, Foot Shifter
16	<u>0412-343</u>	1	● Shield, Exhaust Pipe - Inner	37	3402-013	1	Gasket
17	0612-188	1	Gasket, Exhaust Pipe	38	3430-033	1	Switch, Cooling Fan
18	0612-668	2	Spring, Extension	39	3402-556	1	Gasket
19	0412-340	3	Bushing, Muffler	40	3530-037	1	Switch, Oil Light
20	<u>0512-269</u>	1	Muffler - Assembly (inc. 21-23)				



OIL COOLER ASSEMBLY

0740-369

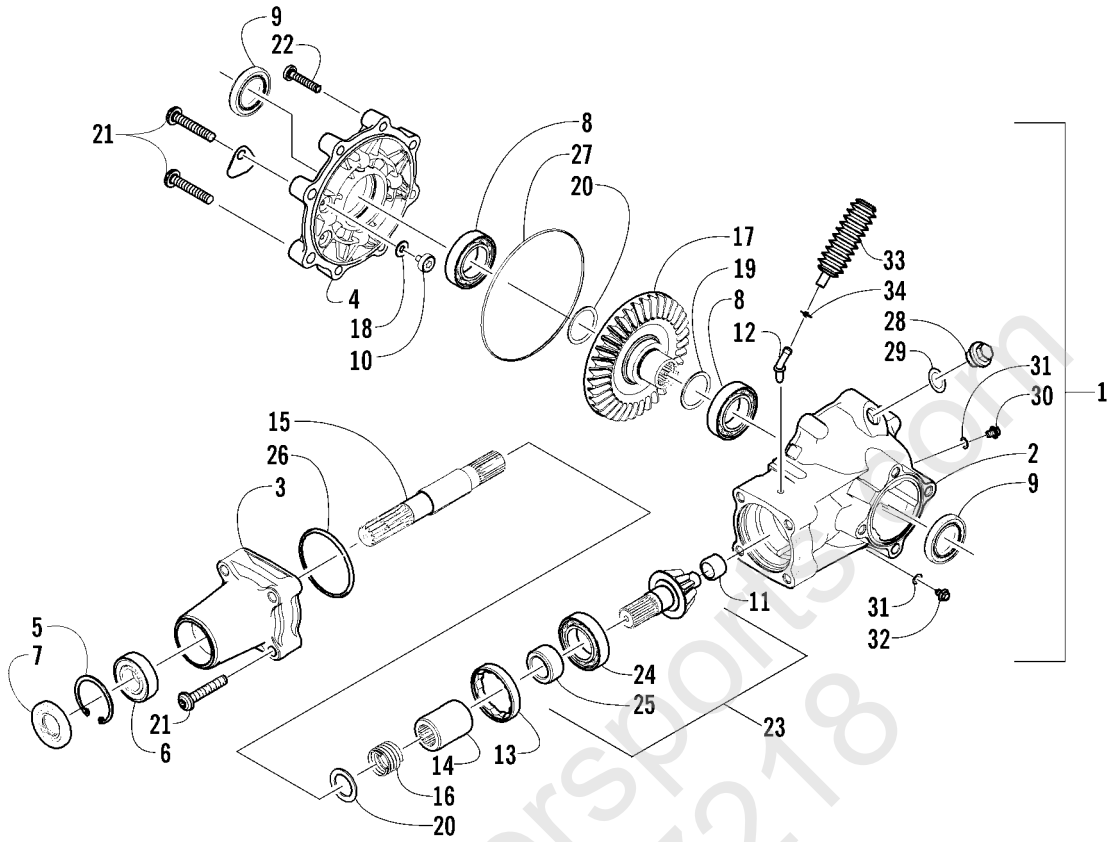
Ref.	Part No.	Qty.	Description	Ref.	Part No.	Qty.	Description
1	0413-118	1	Cooler, Oil - Assembly (inc. 2-9)	10	0623-038	2	Nut w/Washer
2	0413-053	1	● Cooler, Oil	11	0423-484	2	Screw, Shoulder
3	0413-007	1	● Screen, Radiator	12	0423-028	2	Bushing, Stem
4	8475-512	12	● Screw, Machine	13	0423-098	4	Clamp, Hose
5	0413-064	1	● Shroud, Fan	14	0410-044	2	Hose, Oil
6	0413-044	1	● Fan, Cooling	15	0410-013	1	Fitting, Oil
7	0413-058	1	● Plug, Drain	16	0423-089	2	O-Ring, Oil Fitting
8	0413-059	1	● O-Ring	17	8471-616	4	Screw, Cap
9	0423-030	2	● Grommet	18	0410-012	1	Fitting, Oil - Angled



FRONT DRIVE GEARCASE ASSEMBLY

0740-537

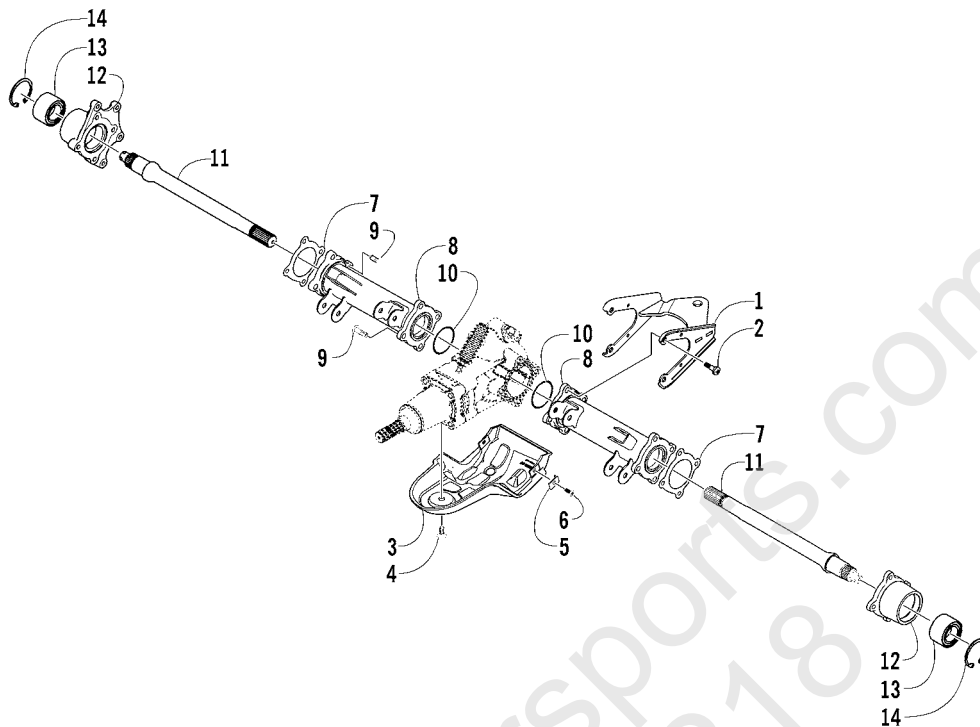
Ref.	Part No.	Qty.	Description	Ref.	Part No.	Qty.	Description
1	<u>0502-817</u>	1	Gearcase, Front Drive - Assembly (inc. 2-34)	22	0502-120	1	● Housing, Gearcase
2	0502-386	1	● Shaft, Propeller - Assembly (inc. 3-7)	23	0402-411	1	● Pin, Dowel
3	0423-411	1	●● Clamp, Boot	24	0402-394	2	● Seal
4	0402-985	1	●●● Boot, Propeller Shaft	25	0402-450	1	● Plug, Magnetic (inc. 26)
5	0423-393	1	●●● Clamp, Boot	26	0423-153	1	●● O-Ring
6	1402-046	1	●●● Shaft, Output	27	0423-149	1	● O-Ring
7	0502-407	1	●●● Shaft, Input	28	0402-393	2	● Bearing
8	1402-011	1	● Seal	29	0402-405	AR	● Shim
9	0423-423	1	● Ring, Retaining		0402-406	AR	● Shim
10	1402-043	1	● Bearing		0402-407	AR	● Shim
11	0423-118	11	● Screw, Self-Tapping		0402-408	AR	● Shim
12	0502-529	1	● Housing, Pinion		0402-409	AR	● Shim
13	0402-947	1	● Gasket, Flange	30	<u>0502-779</u>	1	● Gear, Ring - 36T
14	0423-417	1	● Ring, Retaining	31	0502-121	1	● Cover, Gearcase
15	0402-981	1	● Collar, Shaft	32	0402-333	1	● Plug, Fill (inc. 33)
16	0402-982	1	● Washer, Wave Spring	33	0423-154	1	●● O-Ring
17	0402-357	1	● Collar, Lock	34	1402-104	1	● Fitting
18	<u>0502-783</u>	1	● Gear, Pinion - Assembly - 10T (inc. 19-20)	35	0423-315	1	Clamp, Fitting
19	0402-336	1	●● Collar, Retaining	36	0402-147	1	Bladder, Gearcase
20	0402-327	1	●●● Bearing	37	0423-404	2	Screw, Cap
21	0402-328	1	● Bearing	38	0423-426	4	Washer
				39	8428-002	2	Nut, Lock
				40	0402-966	1	Boot, Shaft



REAR DRIVE GEARCASE ASSEMBLY

0740-538

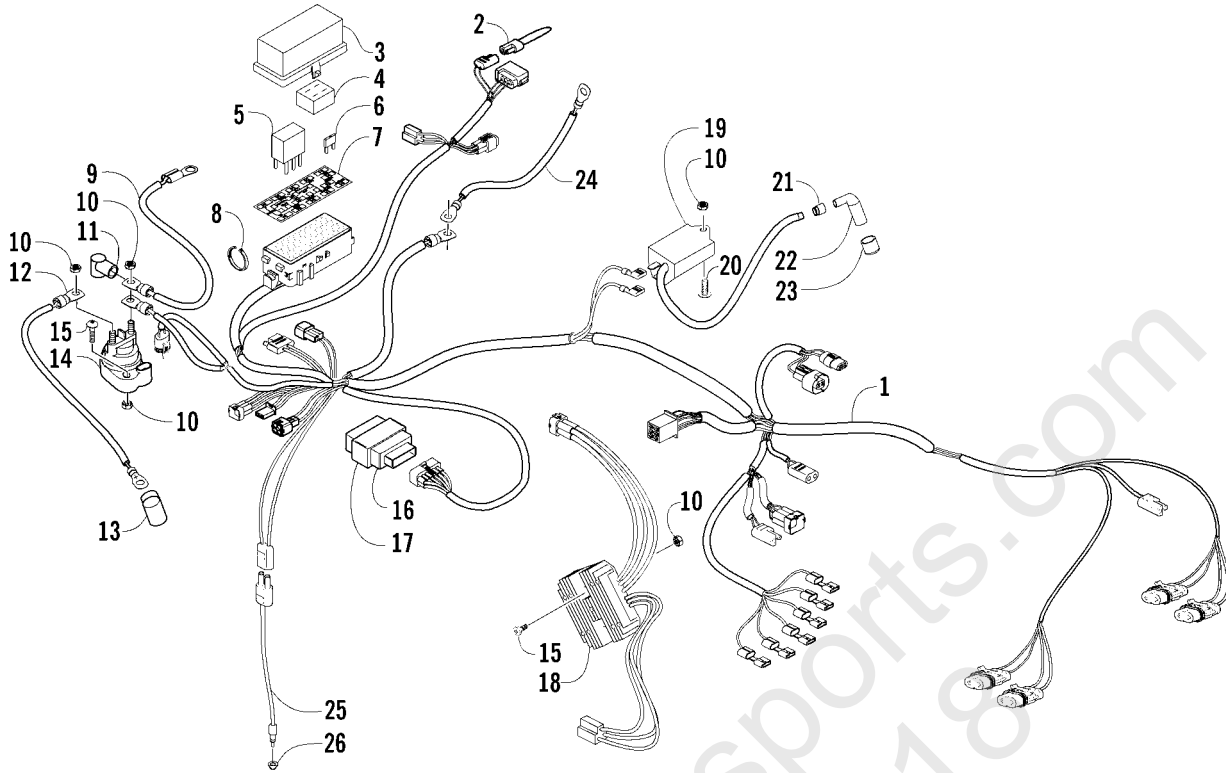
Ref.	Part No.	Qty.	Description	Ref.	Part No.	Qty.	Description
1	<u>0502-822</u>	1	Gearcase, Rear Drive - Assembly (inc. 2-32)	19	0402-434	AR	● Shim
2	0502-088	1	● Housing, Gearcase		0402-435	AR	● Shim
3	0502-239	1	● Housing, Pinion		0402-436	AR	● Shim
4	0502-089	1	● Cover, Gearcase		0402-437	AR	● Shim
5	0402-321	1	● Ring, Retaining		0402-438	AR	● Shim
6	0402-322	1	● Bearing	20	0423-111	1	● Washer
7	0402-323	1	● Seal	21	0423-115	6	● Screw, Self-Tapping
8	0402-324	2	● Bearing	22	0423-118	6	● Screw, Self-Tapping
9	0402-325	2	● Seal	23	<u>0502-783</u>	1	● Gear, Pinion - Assembly - 10T (inc. 24-25)
10	0402-326	1	● Button, Thrust	24	0402-327	1	● ● Bearing
11	0402-328	1	● Bearing, Needle	25	0402-336	1	● ● Collar, Retaining
12	1402-103	1	● Fitting, 45°	26	0423-148	1	● O-Ring
13	0402-331	1	● Collar, Lock	27	0423-149	1	● O-Ring
14	0402-335	1	● Collar, Shaft	28	0402-333	1	● Plug, Fill (inc. 29)
15	0402-851	1	● Shaft, Thrust	29	0423-154	1	● ● O-Ring, Fill Plug
16	0402-338	1	● Spring, Compression	30	0402-334	1	● Plug, Drain (inc. one No. 31)
17	0402-381	1	● Gear, Ring - 36T	31	0423-153	2	● ● O-Ring, Drain Plug
18	0402-429	AR	● Shim	32	0402-450	1	● Plug, Drain - Magnetic (inc. one No. 31)
	0402-430	AR	● Shim	33	0402-147	1	Bladder, Gearcase
	0402-431	AR	● Shim	34	0423-315	1	Clamp, Fitting
	0402-432	AR	● Shim				
	0402-433	AR	● Shim				



REAR AXLE ASSEMBLY

0740-539

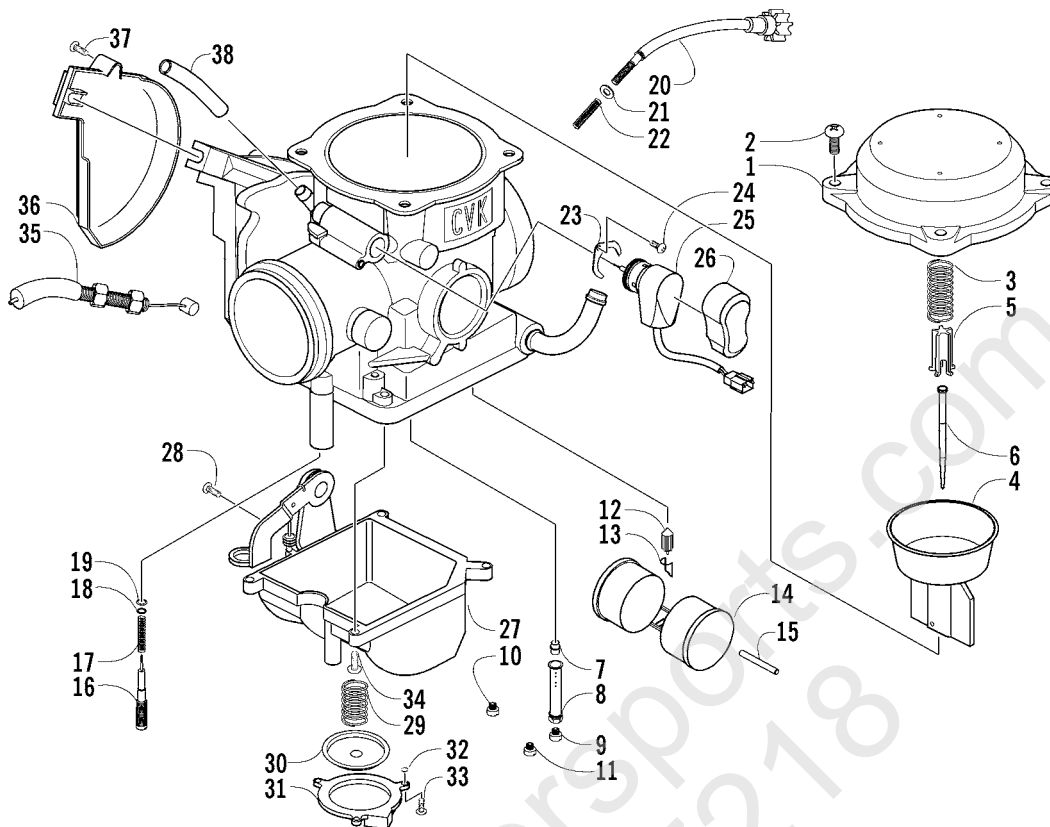
Ref.	Part No.	Qty.	Description	Ref.	Part No.	Qty.	Description
1	0506-675	1	Hitch, Trailer	9	0423-117	12	Screw, Self-Tapping
2	0423-116	4	Screw, Self-Tapping	10	0423-119	2	O-Ring
3	0406-415	1	Panel, Gearcase	11	1402-400	1	Axle - Right
4	0423-101	1	Screw, Body		1402-401	1	Axle - Left
5	0423-031	2	Nut, Speed	12	0502-859	1	Housing, Bearing - Right
6	8477-616	2	Screw, Machine		0502-681	1	Housing, Bearing - Left
7	0402-374	2	Gasket, Axle Housing	13	1402-027	2	Bearing
8	0502-090	1	Housing, Axle - Right	14	0423-423	2	Ring, Retaining
	0502-091	1	Housing, Axle - Left				



WIRING HARNESS ASSEMBLY

0740-541

Ref.	Part No.	Qty.	Description	Ref.	Part No.	Qty.	Description
1	0486-181	1	Harness, Main (inc. 2-7 and two No. 8)	13	0645-019	1	Boot, Terminal
2	0486-164	1	● Tether, Accessory Connector	14	0445-036	1	Solenoid
3	0530-008	1	● Cover, Fuse Block	15	8476-625	4	Screw, Machine
4	0430-037	1	● Holder, Fuse	16	3402-683	1	CDI Unit
5	0430-033	2	● Relay	17	3402-684	1	Cushion, CDI
6	0430-032	4	● Fuse - 10 Amp	18	3402-682	1	Regulator, Voltage
	0430-031	3	● Fuse - 15 Amp	19	3430-055	1	Coil, Ignition - Assembly
	0430-030	2	● Fuse - 30 Amp	20	8476-620	1	Screw, Machine
7	0411-838	1	● Decal, Fuse Block	21	3430-009	1	Seal, High Tension Wire
8	0123-788	AR	● Cable Tie - 7.5 in.	22	3430-007	1	Cap, Spark Plug
9	0445-053	1	Cable, Electric Start Relay/Starter	23	3430-008	1	Seal, Spark Plug
10	0623-038	7	Nut w/Washer	24	0445-054	1	Cable, Battery/Ground
11	0645-327	1	Boot, Terminal	25	0409-009	1	Switch, Brake - Assembly
12	0445-052	1	Cable, Battery/Electric Start Relay	26	0402-991	1	Retainer, Brake Switch

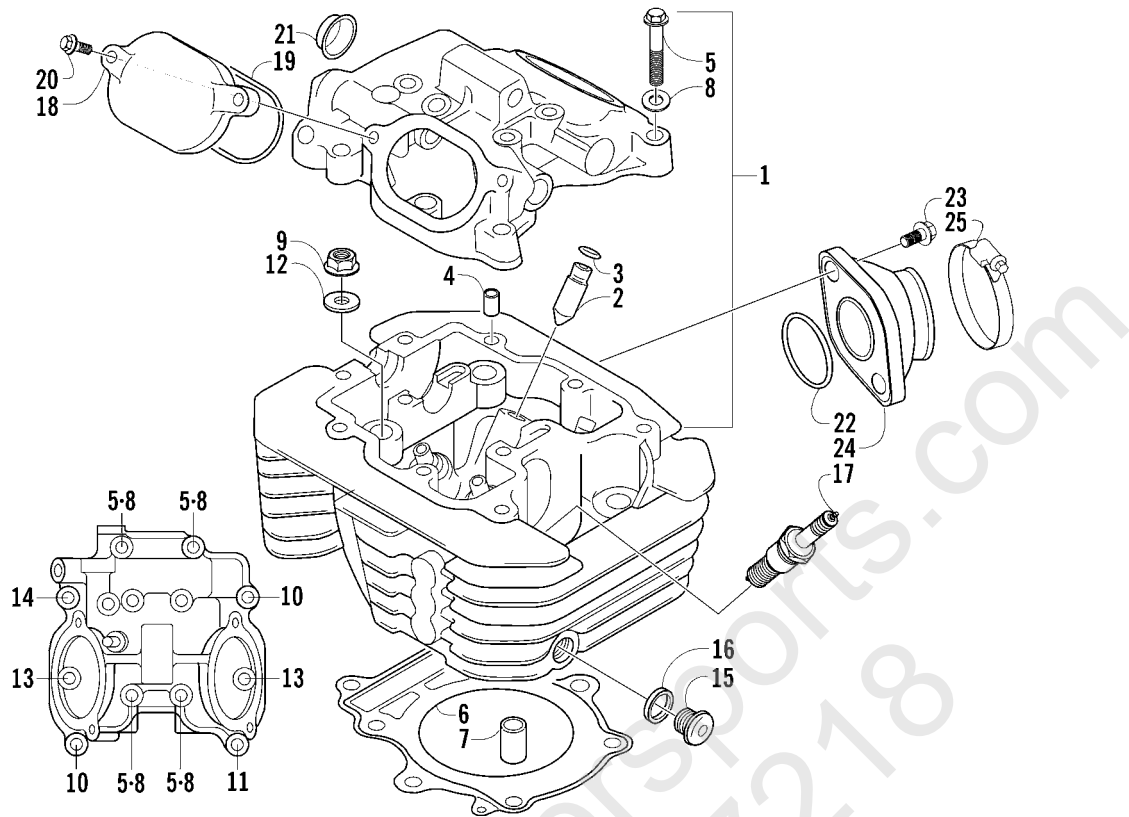


CARBURETOR

CVK34-AE (Complete Assembly p/n 0470-470)

0740-480 *Not a Service Part **Optional

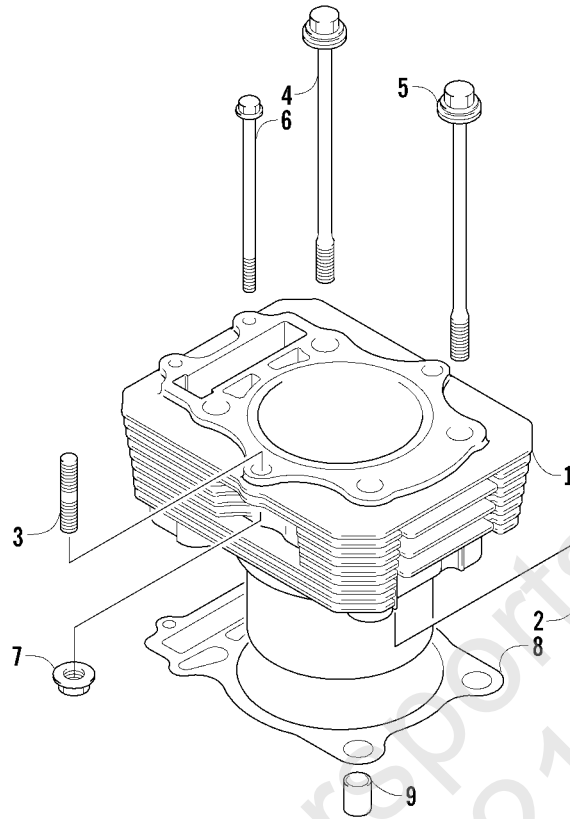
Ref.	Part No.	Qty.	Description	Ref.	Part No.	Qty.	Description
1	5507-001	1	Cover, Top	18	*	1	● Washer
2	5507-002	4	Screw, Top Cover	19	*	1	● O-Ring
3	5507-085	1	Spring	20	5507-027	1	Screw, Idle Adjust
4	5507-109	1	Piston, Vacuum	21	5507-028	1	Washer
5	5507-005	1	Seat, Spring	22	5507-029	1	Spring
6	5507-110	1	Jet Needle	23	5507-115	1	Plate
7	5507-007	1	Needle Jet	24	5507-117	1	Screw
8	5507-047	1	Holder, Needle Jet	25	5507-180	1	Choke, Electric
9	5507-043	1	Main Jet - 142	26	5507-114	1	Cover, Electric Choke
	5507-009	1	Main Jet - 150**	27	*	1	Chamber, Float - Assembly (inc. 28-33)
	5507-041	1	Main Jet - 147**	28	5507-050	1	● Screw, Drain
	5507-042	1	Main Jet - 145**	29	5507-032	1	● Spring
	5507-044	1	Main Jet - 140**	30	5507-031	1	● Diaphragm Assembly
10	5507-010	1	Slow Jet - 38	31	*	1	● Housing, Pump
11	5507-179	1	Starter Jet - 75	32	5507-034	1	● U-Ring
12	5507-107	1	Valve, Float - Set (inc. 13)	33	5507-035	3	● Screw
13	*	1	● Clip	34	5507-017	4	Screw
14	5507-039	1	Float Set (inc. 15)	35	0487-021	1	Cable, Throttle
15	*	1	● Pin, Float	36	5507-036	1	Cover
16	5507-111	1	Screw, Pilot Air - Set (inc. 17-19)	37	5507-037	1	Screw
17	*	1	● Spring	38	0410-056	1	Hose, Vent



CYLINDER HEAD ASSEMBLY

0738-415 *Not Illustrated

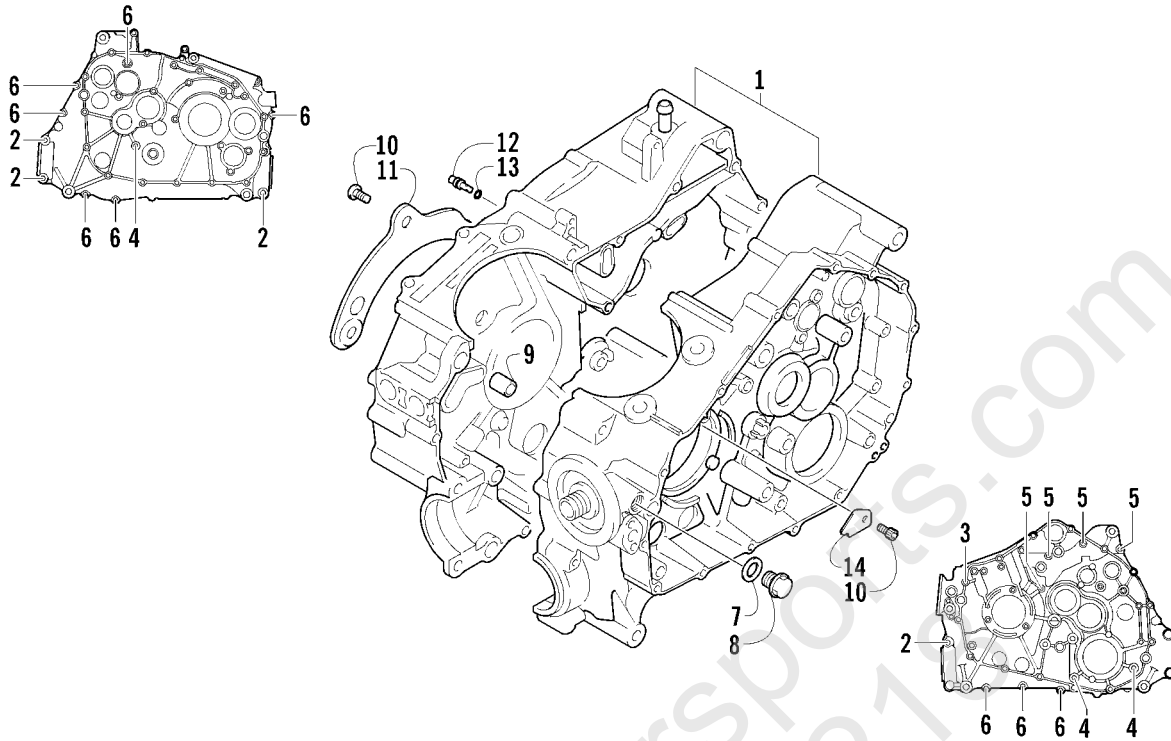
Ref.	Part No.	Qty.	Description	Ref.	Part No.	Qty.	Description
1	3402-576	1	Head, Cylinder - Assembly (inc. 2-5)	14	3008-376	1	Bolt, Head Cover
2	3402-099	2	● Guide, Valve	15	3423-453	1	Plug, Oil Gallery
3	3423-068	4	● Ring, Valve Guide	16	3402-011	1	Gasket, Oil Gallery Plug
4	3423-043	2	● Pin, Dowel	17	0217-708	1	Spark Plug (NGK CR7E)
5	3423-006	4	● Bolt	18	3402-100	2	Cap, Inspection
6	3402-577	1	Gasket, Cylinder Head	19	3402-101	2	O-Ring
7	3423-449	2	Pin, Dowel	20	3004-341	4	Bolt, Inspection Cap
8	3003-290	4	Gasket	21	3402-035	1	Plug, Head
9	3423-326	2	Nut, Cylinder Head	22	3423-353	1	O-Ring
10	3423-007	2	Bolt, Head Cover	23	8476-620	2	Screw
11	3423-429	1	Bolt, Head Cover	24	0570-076	1	Manifold, Intake
12	3423-439	4	Washer, Cylinder Head Nut	25	0423-317	1	Clamp
13	3004-376	2	Bolt, Head Cover	*	3402-048	1	Plug, Frost



CYLINDER ASSEMBLY

0737-039

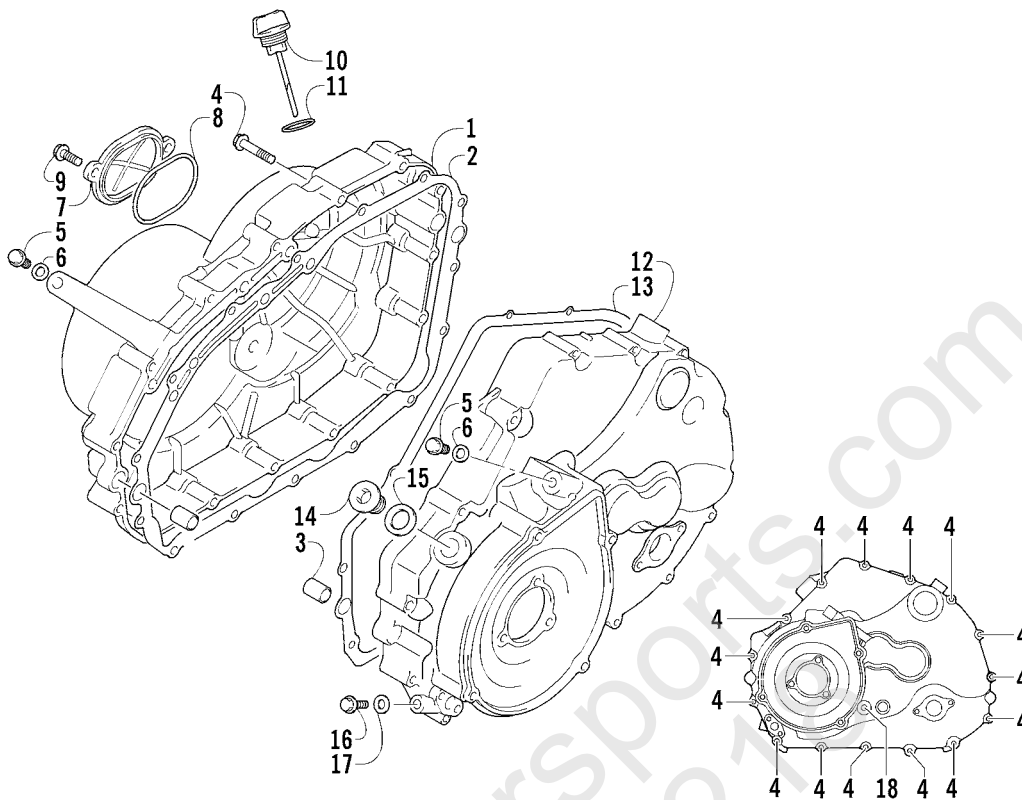
Ref.	Part No.	Qty.	Description	Ref.	Part No.	Qty.	Description
1	3402-578	1	Cylinder	6	3423-427	2	Bolt
2	3423-384	2	Bolt, Stud	7	3004-488	4	Nut
3	3004-778	2	Bolt, Stud	8	3402-579	1	Gasket, Cylinder
4	3423-431	2	Bolt	9	3423-088	2	Pin, Dowel
5	3423-432	2	Bolt				



CRANKCASE ASSEMBLY

0739-903

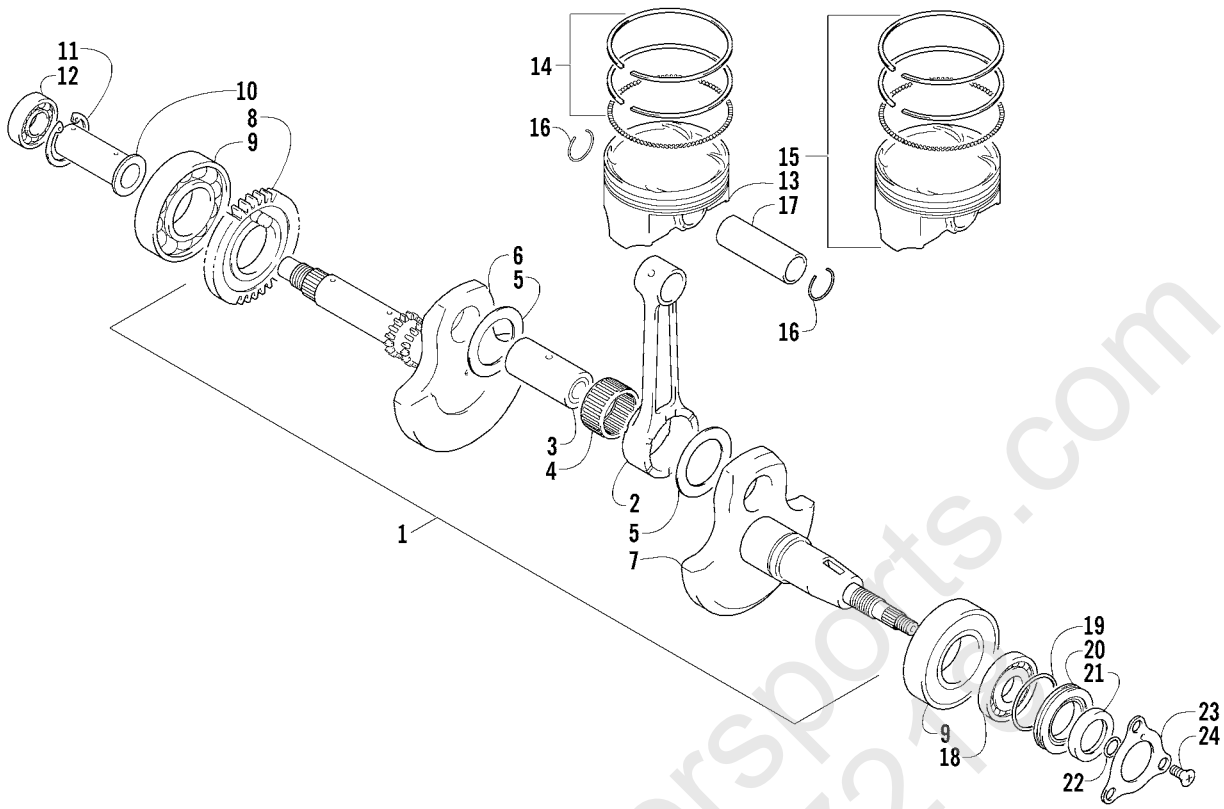
Ref.	Part No.	Qty.	Description	Ref.	Part No.	Qty.	Description
1	3402-763	1	Crankcase Assembly (inc. 2-9)	8	3402-214	1	● Plug, Oil Pressure
2	3004-880	4	● Bolt	9	3423-088	2	● Pin, Dowel
3	3005-332	1	● Bolt	10	3004-552	4	Screw, Oil Guide Plate
4	3005-410	3	● Bolt	11	3402-764	1	Plate, Oil Guide - Right
5	3423-097	4	● Bolt	12	3402-691	1	Jet, Oil Gallery
6	3423-091	8	● Bolt	13	3423-051	1	O-Ring, Oil Gallery Jet
7	3402-012	1	● Gasket, Oil Pressure Plug	14	3402-582	1	Plate, Oil Guide - Left



CRANKCASE COVER ASSEMBLY

0737-722

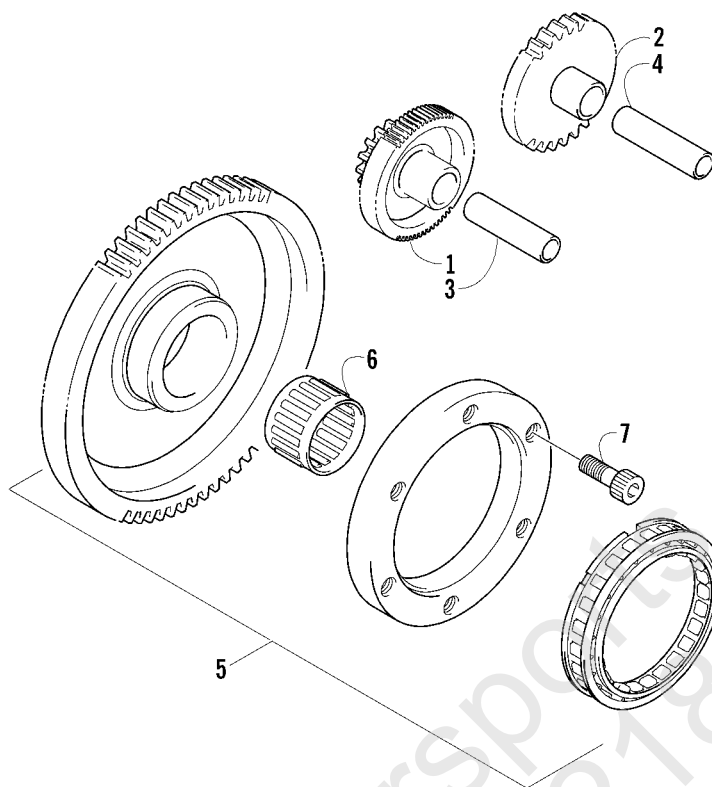
Ref.	Part No.	Qty.	Description	Ref.	Part No.	Qty.	Description
1	3402-991	1	Cover, Clutch	10	3402-593	1	Stick, Oil Level
2	3402-766	1	Gasket	11	3423-055	1	O-Ring, Oil Level Stick
3	3423-088	4	Pin, Dowel	12	3402-767	1	Cover, Magneto
4	3423-098	30	Bolt	13	3402-768	1	Gasket, Magneto Cover
5	3004-338	2	Plug, Oil Gallery	14	3423-180	1	Plug
6	3003-290	2	Gasket	15	3402-013	1	Gasket
7	3402-100	1	Cap, Inspection	16	3004-705	1	Plug, Drain
8	3402-101	1	O-Ring, Inspection Cap	17	3402-444	1	Gasket, Drain Plug
9	3004-341	2	Bolt, Inspection Cap	18	3423-430	1	Bolt



CRANKSHAFT ASSEMBLY

0739-873 *Optional

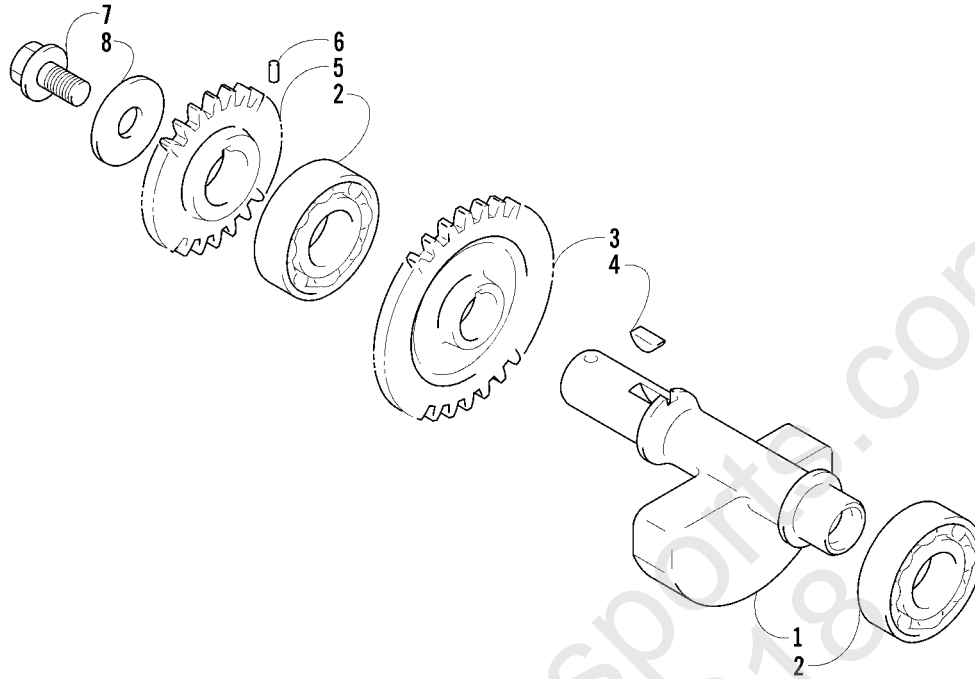
Ref.	Part No.	Qty.	Description	Ref.	Part No.	Qty.	Description
1	3402-992	1	Crankshaft Assembly (inc. 2-8)	13	3402-594	1	Piston
2	3402-597	1	● Rod, Connecting	14	3402-595	1	Ring, Piston - Set
3	3402-769	1	● Pin, Crank	15	3436-015	1	Piston Set (Oversized 0.50 mm)*
4	3402-571	1	● Bearing	16	3003-439	2	Circlip
5	3423-440	2	● Washer	17	3402-596	1	Pin, Piston
6	3402-993	1	● Crankshaft - Right	18	3402-051	1	Bearing
7	3403-019	1	● Crankshaft - Left	19	3423-063	1	O-Ring
8	3402-698	1	● Gear, Crank Balancer Drive	20	3423-542	1	Spacer
9	3402-994	2	Bearing - Middle	21	3402-070	1	Seal, Oil
10	3423-768	1	Spacer	22	3423-053	1	O-Ring
11	3402-771	1	Circlip	23	3402-188	1	Retainer, Crankshaft Oil Seal - Left
12	3402-216	1	Bearing - Right	24	3423-018	3	Screw, Retainer



STARTER CLUTCH ASSEMBLY

0737-043

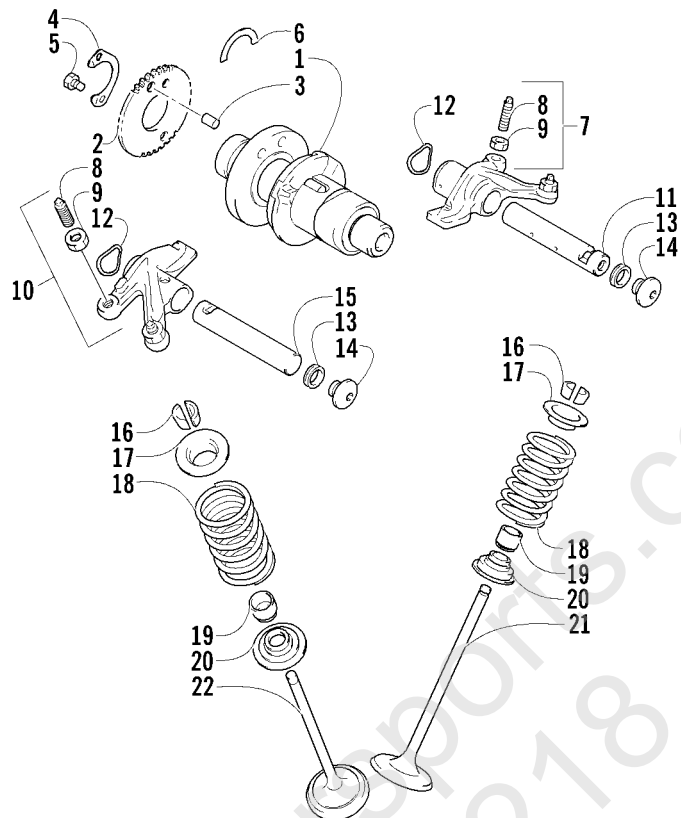
Ref.	Part No.	Qty.	Description	Ref.	Part No.	Qty.	Description
1	3402-603	1	Gear, Starter Idler - No. 1	5	3402-690	1	Clutch, Starter - Set (inc. 6)
2	3402-124	1	Gear, Starter Idler - No. 2	6	3402-674	1	● Bearing
3	3423-331	1	Pin, Starter Idler Gear No. 1	7	3423-102	6	Bolt
4	3423-397	1	Pin, Starter Idler Gear No. 2				



CRANK BALANCER ASSEMBLY

0737-728

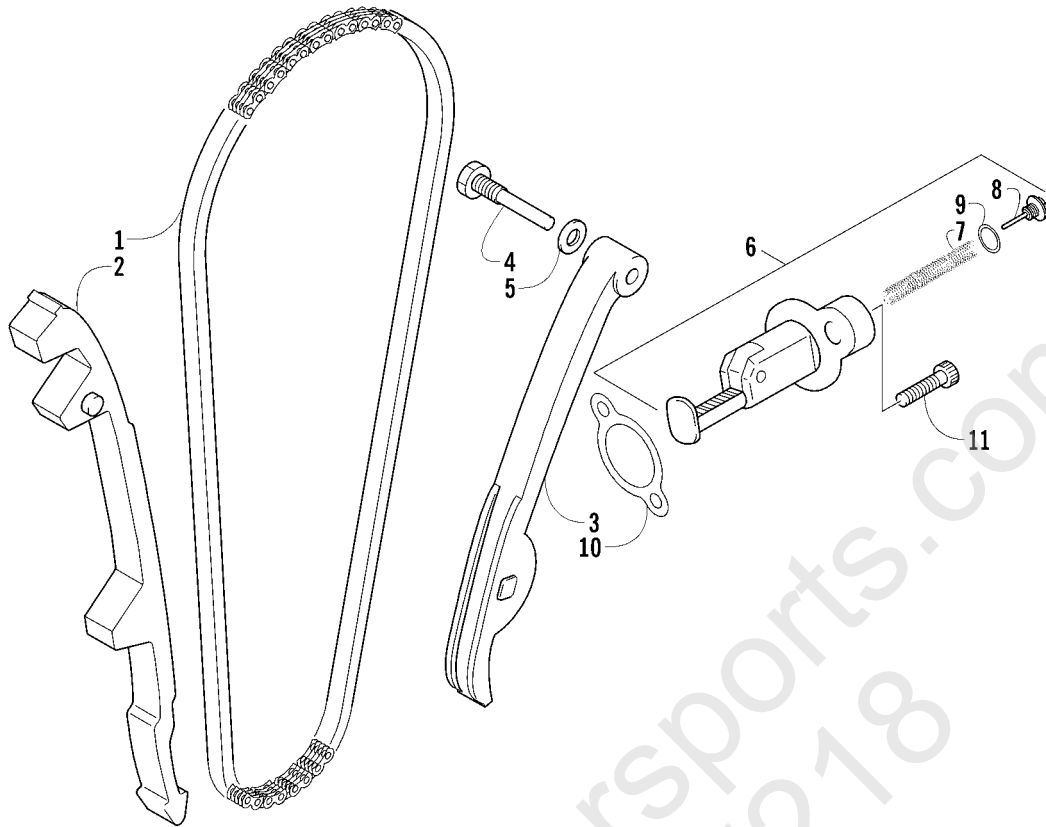
Ref.	Part No.	Qty.	Description	Ref.	Part No.	Qty.	Description
1	3402-605	1	Balancer, Crank	5	3402-617	1	Gear, Oil Pump Drive
2	3402-553	2	Bearing	6	3423-110	1	Pin, Drive Gear
3	3402-772	1	Gear, Driven - No. 1	7	3423-555	1	Bolt, Drive Gear
4	3004-540	1	Key	8	3423-401	1	Washer, Drive Gear



CAMSHAFT/VALVE ASSEMBLY

0737-730

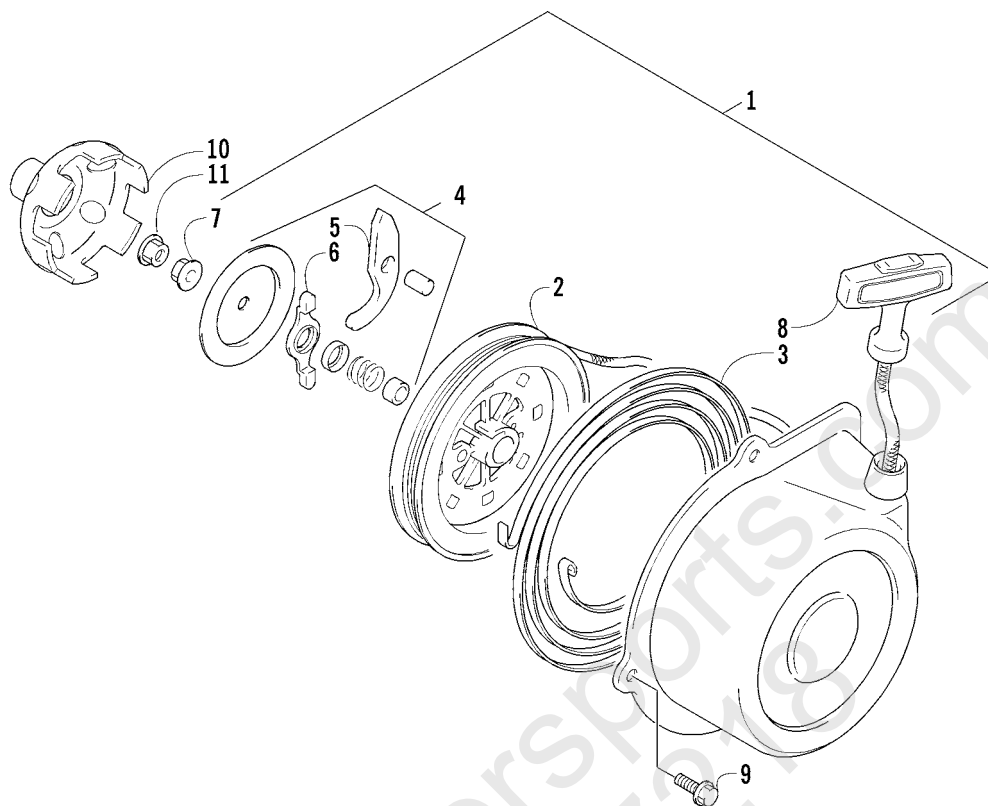
Ref.	Part No.	Qty.	Description	Ref.	Part No.	Qty.	Description
1	3402-989	1	Camshaft	11	3402-140	1	Shaft, Rocker Arm
2	3402-611	1	Sprocket	12	3423-031	2	Washer
3	3423-047	1	Pin	13	3402-012	2	Gasket
4	3423-073	1	Washer	14	3402-040	2	Plug, Shaft
5	3423-013	2	Bolt	15	3402-141	1	Shaft, Rocker Arm
6	3423-071	1	C-Ring	16	3402-147	8	Cotter, Valve
7	3402-805	1	Arm, Valve Rocker - Intake (inc. two No. 8-9)	17	3423-541	4	Retainer, Spring
8	3423-075	4	● Screw	18	3402-726	4	Spring, Valve
9	3423-076	4	● Nut	19	3402-078	4	Seal, Oil
10	3402-139	1	Arm, Valve Rocker - Exhaust (inc. two No. 8-9)	20	3402-148	4	Seat, Spring
				21	3402-725	2	Valve, Intake
				22	3402-143	2	Valve, Exhaust



CAM CHAIN ASSEMBLY

0737-051

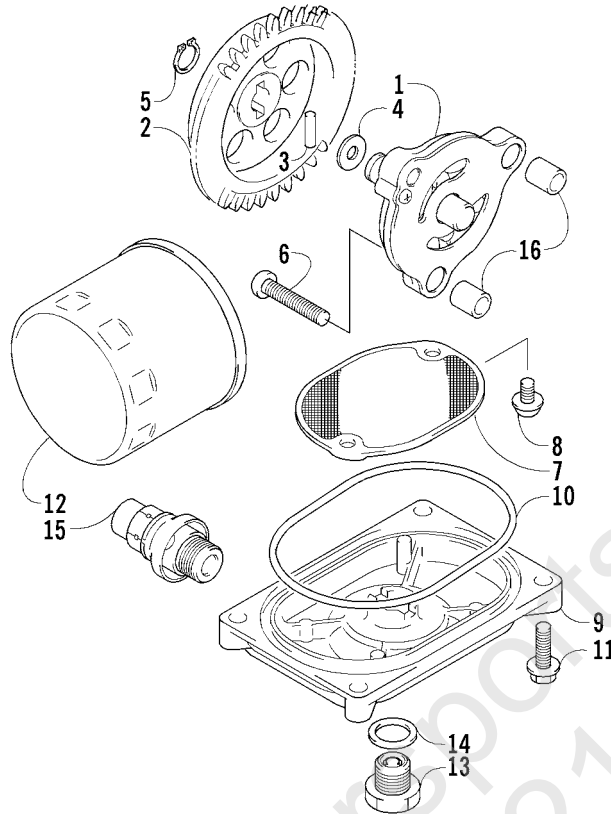
Ref.	Part No.	Qty.	Description	Ref.	Part No.	Qty.	Description
1	3402-281	1	Chain, Cam	7	3423-484	1	● Spring
2	3402-612	1	Guide, Cam Chain	8	3423-485	1	● Plug
3	3402-613	1	Tensioner, Cam Chain	9	3423-286	1	● O-Ring
4	3423-074	1	Bolt	10	3403-020	1	Gasket, Adjuster
5	3402-436	1	Washer	11	3004-512	2	Bolt
6	3402-614	1	Adjuster, Tensioner - Assembly (inc. 7-9)				



RECOIL STARTER ASSEMBLY

0737-034

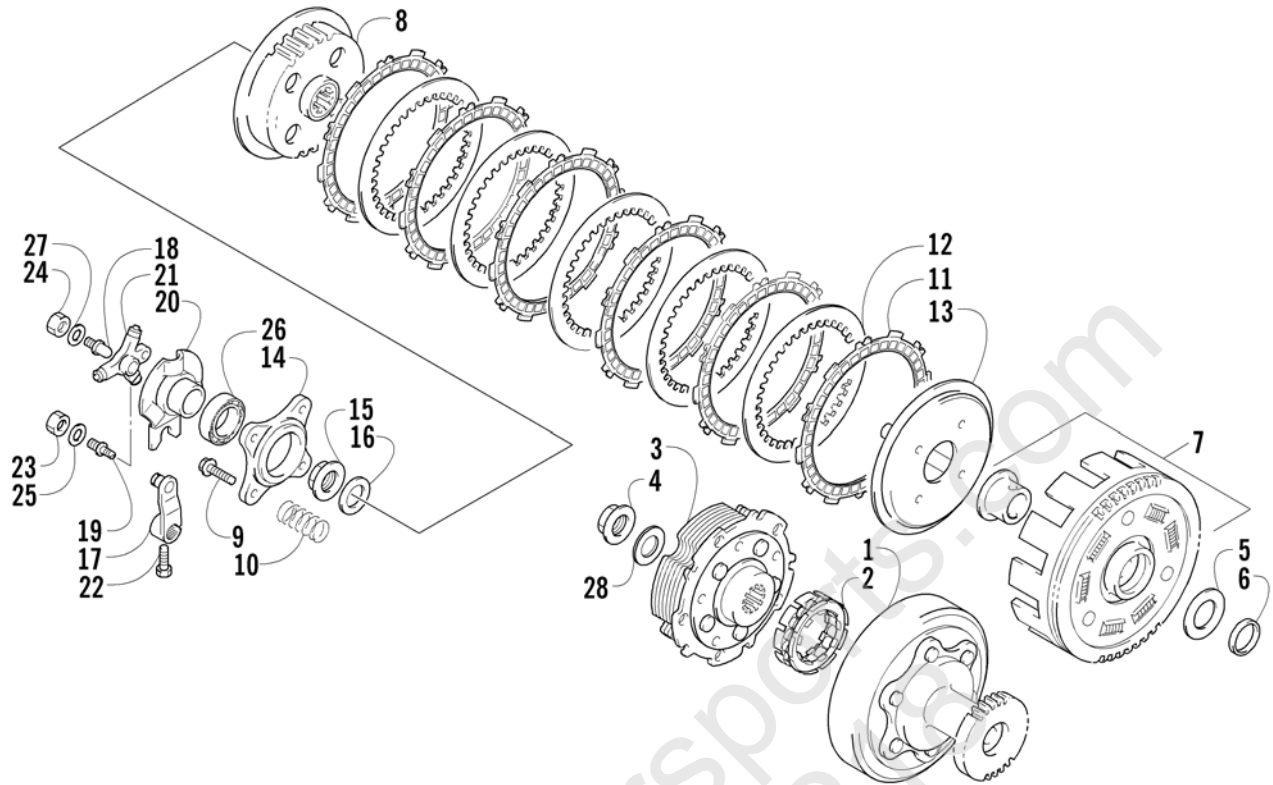
Ref.	Part No.	Qty.	Description	Ref.	Part No.	Qty.	Description
1	3445-003	1	Starter, Recoil - Assembly (inc. 2-8)	7	3004-488	1	● Nut
2	3445-004	1	● Reel	8	3445-011	1	● Rope Assembly
3	3445-007	1	● Spring, Spiral	9	3423-428	4	Screw, Cap
4	3445-016	1	● Ratchet - Assembly (inc. 5-6)	10	3445-029	1	Cup, Starter
5	3445-005	1	●● Ratchet	11	3004-491	1	Nut
6	3445-006	1	●● Guide, Ratchet				



OIL FILTER/PUMP ASSEMBLY

0737-035

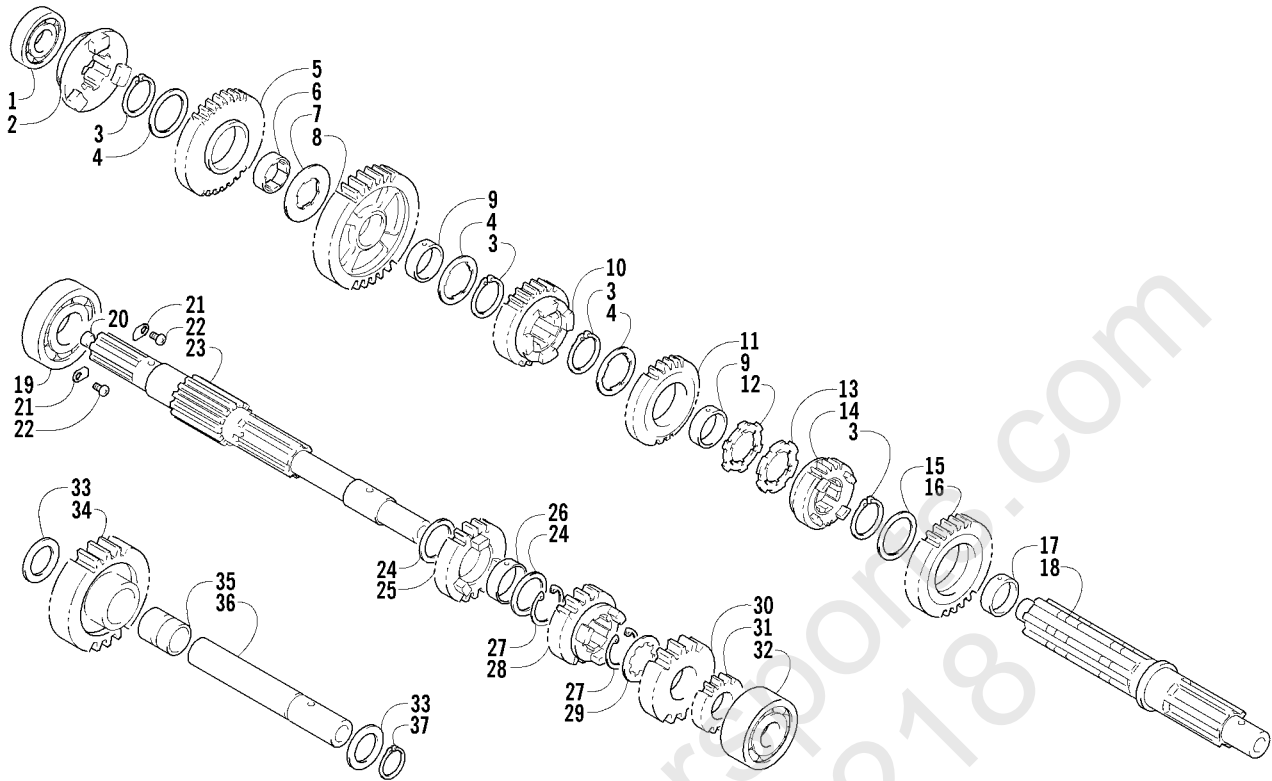
Ref.	Part No.	Qty.	Description	Ref.	Part No.	Qty.	Description
1	3402-619	1	Pump, Oil	9	3402-157	1	Cap, Oil Strainer
2	3402-618	1	Gear, Driven	10	3423-077	1	O-Ring
3	3423-046	1	Pin	11	3004-756	4	Screw, Cap
4	3423-443	1	Washer	12	0812-005	1	Filter, Oil
5	3423-184	1	Circlip	13	3403-021	1	Plug, Drain
6	3423-113	3	Screw	14	3402-012	1	Gasket, Drain Plug
7	3402-156	1	Strainer, Oil	15	3402-773	1	Valve, Oil Relief - Assembly
8	0693-389	2	Screw	16	3005-206	2	Pin, Oil Pump



CLUTCH ASSEMBLY

0739-874

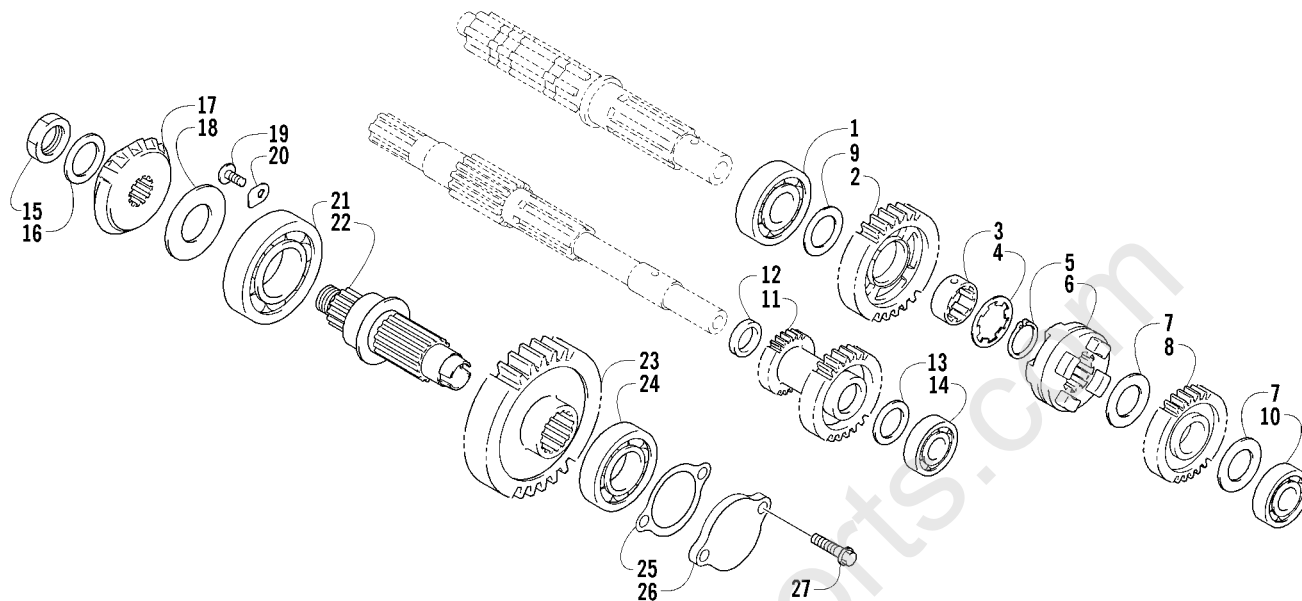
Ref.	Part No.	Qty.	Description	Ref.	Part No.	Qty.	Description
1	3446-352	1	Housing, Starter Clutch	15	3423-080	1	Nut, Clutch Sleeve Hub
2	3446-003	1	Clutch, Primary Drive One Way	16	3423-032	1	Washer, Sleeve Hub
3	3446-290	1	Shoe, Starter Clutch	17	3446-292	1	Arm, Clutch Release
4	3423-409	1	Nut, Starter Clutch Shoe	18	3423-361	1	Bolt, Clutch Release - No. 1
5	3423-515	1	Washer, Primary Driven	19	3423-083	1	Bolt, Clutch Release - No. 2
6	3423-516	1	Washer	20	3446-293	1	Guide, Release Roller
7	3446-291	1	Gear, Primary Driven - Assembly	21	3446-294	1	Roller, Clutch Release - Assembly
8	3446-004	1	Hub, Clutch Sleeve	22	3423-125	1	Bolt, Clutch Release Arm
9	3423-330	4	Screw, Cap - Clutch Spring	23	3008-014	1	Nut, Clutch Release - No. 2
10	3423-517	4	Spring, Clutch	24	3423-359	1	Nut, Clutch Release - No. 1
11	3446-006	6	Plate, Clutch Drive	25	3423-027	1	Washer, Clutch Release - No. 2
12	3446-007	5	Plate, Clutch Driven	26	3402-186	1	Bearing, Clutch
13	3446-008	1	Disc, Clutch Pressure	27	3423-360	1	Washer, Clutch Release - No. 1
14	3446-009	1	Plate, Clutch Release	28	3423-260	1	Washer



TRANSMISSION ASSEMBLY

0737-733

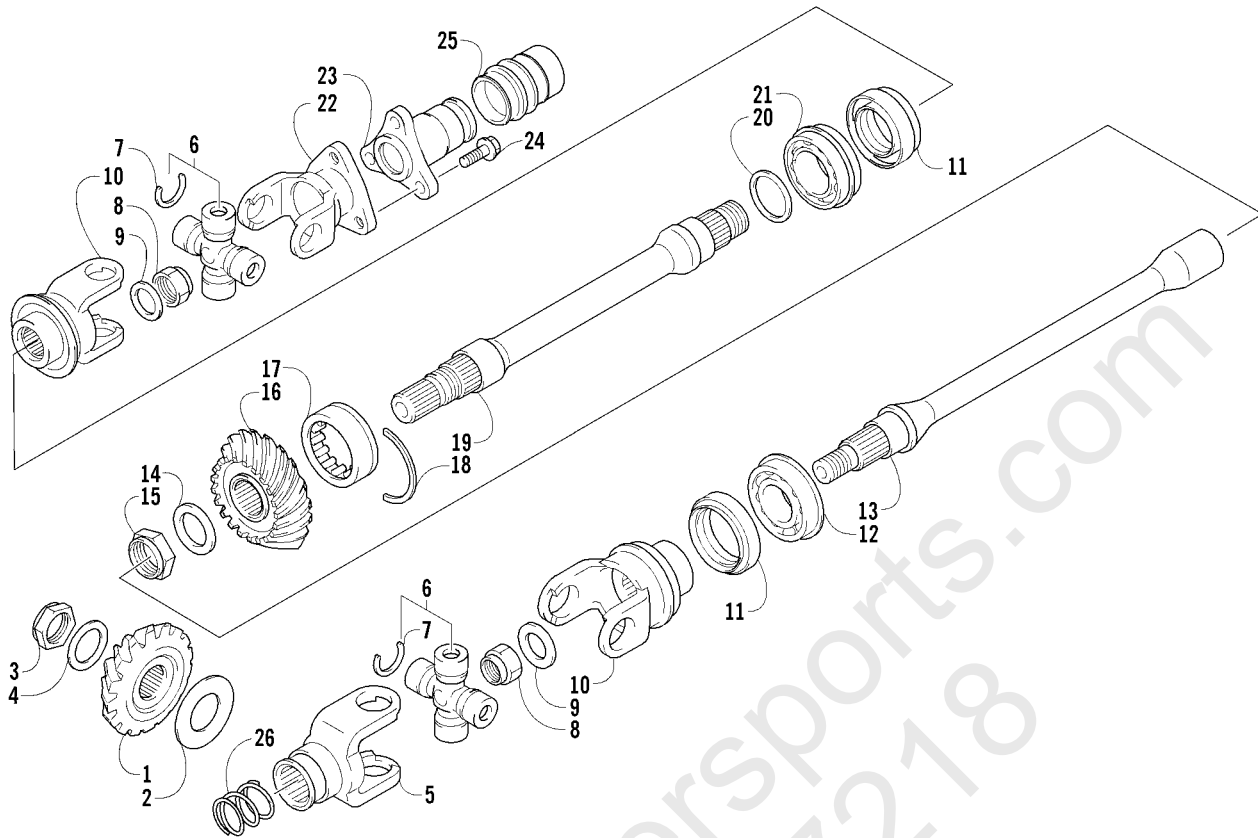
Ref.	Part No.	Qty.	Description	Ref.	Part No.	Qty.	Description
1	3402-218	1	Bearing	20	3402-033	1	Plug, Countershaft
2	3446-297	1	Dog, Reverse	21	3446-031	2	Retainer, Bearing
3	3423-066	4	Circlip	22	3423-370	2	Screw
4	3423-036	3	Washer, Lock	23	3446-295	1	Countershaft
5	3446-296	1	Gear, Reverse Driven	24	3402-210	2	Washer
6	3446-145	1	Bushing	25	3446-139	1	Gear, 4th Drive
7	3423-263	1	Washer	26	3402-229	1	Bushing
8	3446-141	1	Gear, 1st Driven	27	3423-279	2	Circlip
9	3446-273	2	Bushing	28	3446-138	1	Gear, 3rd Drive
10	3446-146	1	Gear, 4th Driven	29	3423-261	1	Washer
11	3446-143	1	Gear, 3rd Driven	30	3446-140	1	Gear, 5th Drive
12	3423-266	1	Washer, Lock	31	3446-137	1	Gear, 2nd Drive
13	3423-262	1	Washer, Lock	32	3402-224	1	Bearing
14	3446-147	1	Gear, 5th Driven	33	3402-209	2	Washer
15	3423-317	1	Washer	34	3446-149	1	Gear, Reverse Idle
16	3446-142	1	Gear, 2nd Driven	35	3402-228	1	Bushing
17	3402-230	1	Bushing	36	3446-298	1	Shaft, Reverse Idle
18	3402-775	1	Driveshaft	37	3423-518	1	Circlip
19	0691-374	1	Bearing				



SECONDARY TRANSMISSION ASSEMBLY

0740-284

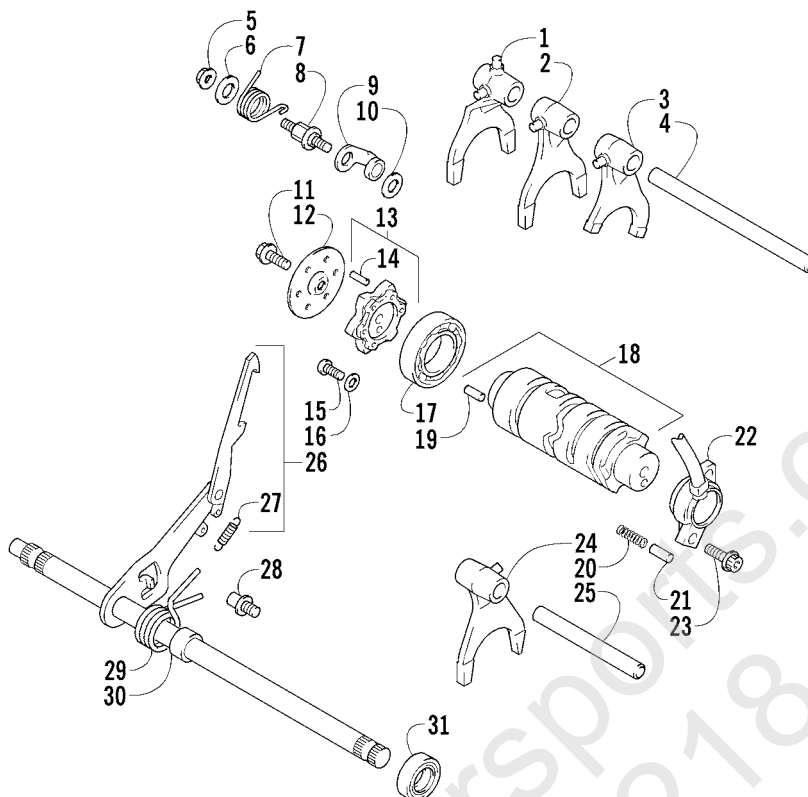
Ref.	Part No.	Qty.	Description	Ref.	Part No.	Qty.	Description
1	3402-776	1	Bearing	15	3423-023	1	Nut, Secondary Drive Gear
2	3446-300	1	Gear, Drive - No. 1	16	3005-372	1	Washer, Secondary Drive Gear
3	3446-301	1	Bushing, Drive Gear No. 1	17	3446-274	1	Gear, Secondary Drive
4	3423-036	1	Washer	18	3446-035	1	Shim, Secondary Drive Gear - Set
5	3423-066	1	Circlip	19	3423-370	2	Screw
6	3446-249	1	Dog, Sliding	20	3446-031	2	Retainer, Output Shaft
7	3423-126	2	Washer	21	3402-180	1	Bearing
8	3446-302	1	Gear, Drive - No. 2	22	3446-403	1	Shaft, Output
9	3423-519	1	Spacer, Drive Gear	23	3446-304	1	Gear, Driven
10	3402-979	1	Bearing, Driveshaft	24	3402-045	1	Bearing
11	3446-299	1	Gear, Idle	25	3446-244	1	Gasket, Speedometer Housing
12	3402-205	1	Spacer, Idle Gear	26	3446-260	1	Retainer, Cover Plug
13	3423-319	1	Washer	27	3423-363	2	Bolt, Retainer
14	3402-217	1	Bearing				



SECONDARY DRIVE ASSEMBLY

0740-786

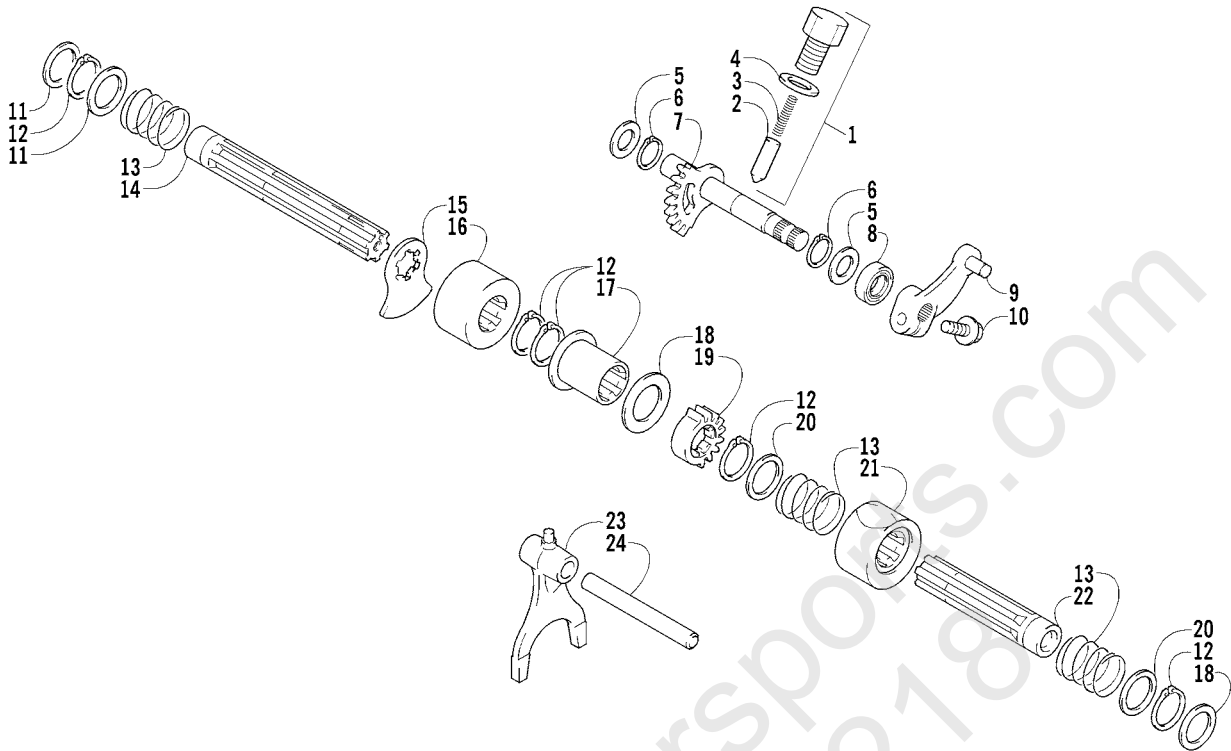
Ref.	Part No.	Qty.	Description	Ref.	Part No.	Qty.	Description
1	3446-274	1	Gear, Secondary Drive	20	3402-017	AR	Shim, 25 x 34 x 0.60 mm
2	3446-035	1	Shim, Secondary Drive Gear - Set		3402-018	AR	Shim, 25 x 34 x 0.65 mm
3	3423-023	1	Nut		3402-019	AR	Shim, 25 x 34 x 0.70 mm
4	3005-372	1	Washer		3402-020	AR	Shim, 25 x 34 x 0.75 mm
5	3446-327	1	Yoke, Propeller Shaft - Front		3402-021	AR	Shim, 25 x 34 x 0.80 mm
6	3402-562	2	Joint, Universal - Set (inc. 7)		3402-022	AR	Shim, 25 x 34 x 0.85 mm
7	3423-479	8	● Circlip		3402-023	AR	Shim, 25 x 34 x 0.90 mm
8	3423-025	2	Nut		3402-024	AR	Shim, 25 x 34 x 0.95 mm
9	3423-028	2	Washer		3402-025	AR	Shim, 25 x 34 x 1.00 mm
10	3402-742	2	Yoke, Drive Output		3402-028	AR	Shim, 25 x 34 x 1.05 mm
11	3402-072	2	Seal, Oil		3402-029	AR	Shim, 25 x 34 x 1.10 mm
12	3402-558	1	Bearing, Front Secondary Driven Shaft		3402-030	AR	Shim, 25 x 34 x 1.15 mm
13	3402-559	1	Shaft, Secondary Driven - Front		3402-031	AR	Shim, 25 x 34 x 1.20 mm
14	3423-520	1	Washer, Secondary Driven Gear	21	3402-067	1	Bearing, Rear Secondary Driven Shaft
15	3423-136	1	Nut, Secondary Driven Gear	22	3446-405	1	Yoke, Propeller Shaft
16	3446-222	1	Gear, Secondary Driven	23	3403-015	1	Shaft, Propeller
17	3402-515	1	Bearing, Driven Gear	24	3423-414	3	Bolt, Propeller Shaft
18	3423-072	1	C-Ring, Driven Bearing	25	3435-051	1	Boot, Propeller Shaft
19	3446-305	1	Shaft, Secondary Driven - Rear	26	1402-026	1	Spring



GEAR SHIFTING ASSEMBLY

0737-745

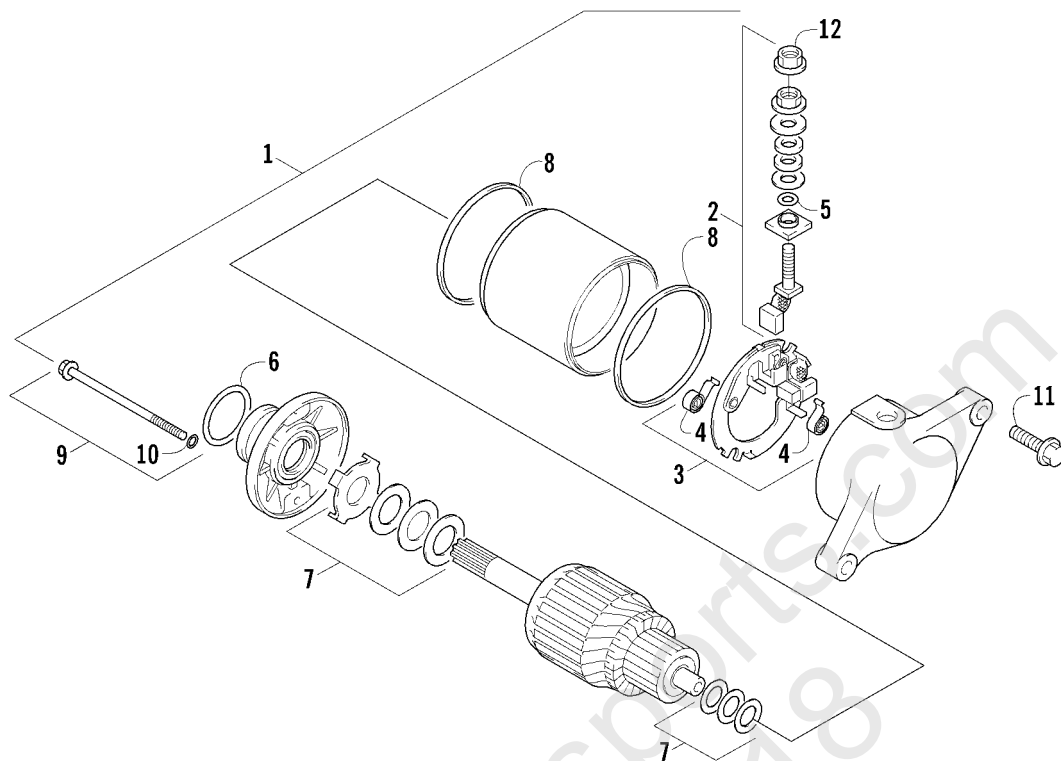
Ref.	Part No.	Qty.	Description	Ref.	Part No.	Qty.	Description
1	3446-306	1	Fork, Gear Shift - Reverse	17	3402-051	1	Bearing, Gear Shift Cam
2	3446-155	1	Fork, Gear Shift - No. 1	18	3446-308	1	Cam, Gear Shift (inc. 19)
3	3446-156	1	Fork, Gear Shift - No. 2	19	3423-114	1	● Pin
4	3402-643	1	Shaft, Gear Shift Fork - No. 2	20	3402-087	2	Spring
5	3004-488	1	Nut	21	3423-044	2	Contact
6	3423-142	1	Washer	22	3446-313	1	Base, Neutral Switch
7	3446-282	1	Spring, Gear Shift Cam Stopper	23	3423-418	2	Bolt
8	3446-048	1	Support, Gear Shift Cam Stopper	24	3446-157	1	Fork, Gear Shift - No. 3
9	3402-746	1	Stopper, Gear Shift Cam	25	3446-307	1	Shaft, Gear Shift Fork - No. 1
10	3423-141	1	Washer	26	3446-310	1	Shaft, Gear Shift (inc. 27)
11	3423-125	1	Bolt	27	3402-093	1	● Spring
12	3446-309	1	Guide, Gear Shift	28	3446-056	1	Stopper, Gear Shift Shaft
13	3446-049	1	Plate, Gear Shift Cam (inc. 14)	29	3402-094	1	Spring, Return
14	3423-045	5	● Pin	30	3446-054	1	Spacer, Gear Shift Shaft
15	3423-370	2	Screw	31	3402-068	1	Seal, Oil
16	3423-135	2	Retainer				



SECONDARY SHIFTING ASSEMBLY

0737-748

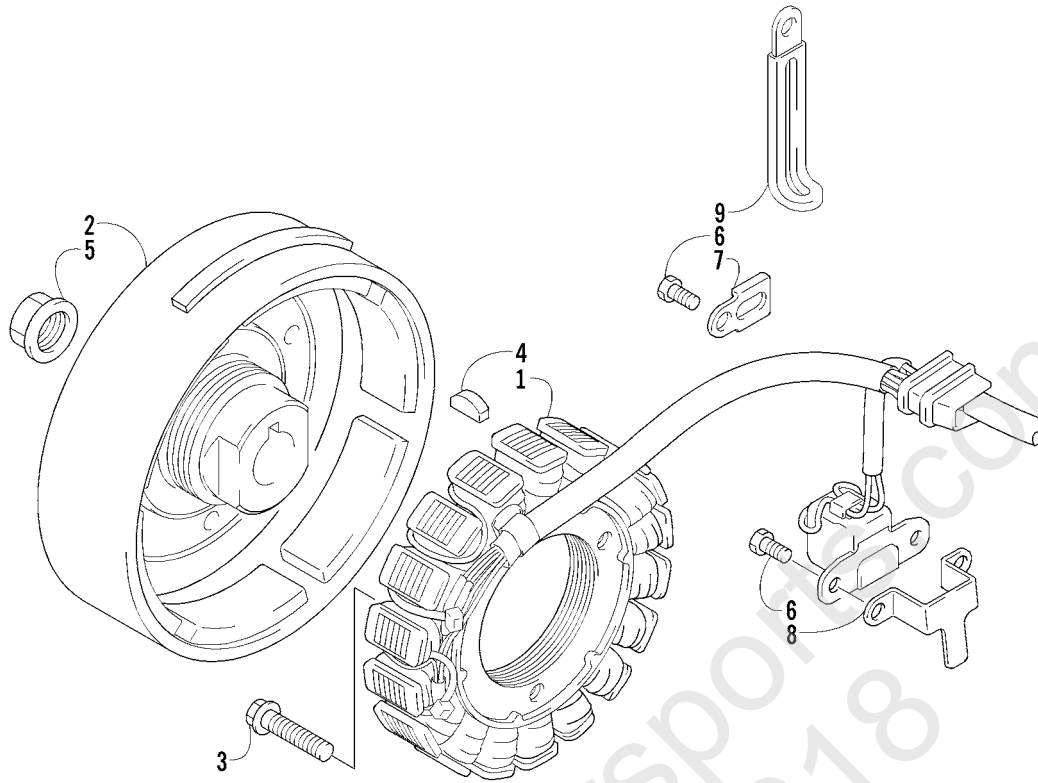
Ref.	Part No.	Qty.	Description	Ref.	Part No.	Qty.	Description
1	3446-314	1	Stopper, Gear Shift Cam (inc. 2-3)	13	3423-526	3	Spring
2	3446-315	1	● Stopper	14	3446-325	1	Camshaft, Reverse
3	3423-524	1	● Spring	15	3446-324	1	Plate, Cam Lock
4	3402-012	1	Gasket	16	3446-323	1	Cam, Reverse
5	1691-043	2	Washer	17	3446-321	1	Joint, Camshaft
6	3423-358	2	Circlip	18	3402-381	2	Washer
7	3446-322	1	Shaft, Gear Shift	19	3446-316	1	Gear, Camshaft
8	3402-076	1	Seal, Oil	20	3423-533	2	Washer
9	3402-434	1	Arm, Gear Shift	21	3423-525	1	Cam
10	3004-341	1	Bolt, Gear Shift Arm	22	3446-320	1	Camshaft
11	3423-527	2	Washer	23	3446-318	1	Fork, Gear Shift
12	3423-190	5	Circlip	24	3446-317	1	Shaft, Gear Shift Fork



STARTER MOTOR ASSEMBLY

0737-056

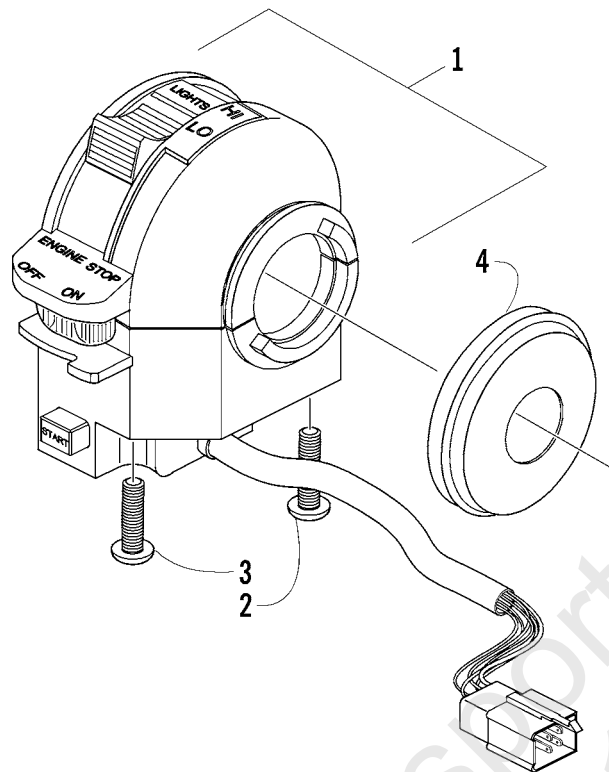
Ref.	Part No.	Qty.	Description	Ref.	Part No.	Qty.	Description
1	3545-016	1	Motor, Starter - Assembly (inc. 2-10)	7	3008-099	1	● Washer Set
2	3402-671	1	● Terminal Set, Brush	8	3423-497	2	● O-Ring
3	3402-672	1	● Holder Set, Brush (inc. 4)	9	3423-498	2	● Through-Bolt (inc. 10)
4	3008-551	2	● Spring, Brush	10	3423-496	2	● O-Ring
5	3008-164	1	● O-Ring	11	3004-756	2	Bolt
6	3423-272	1	● O-Ring	12	3423-195	1	Nut



MAGNETO ASSEMBLY

0737-033

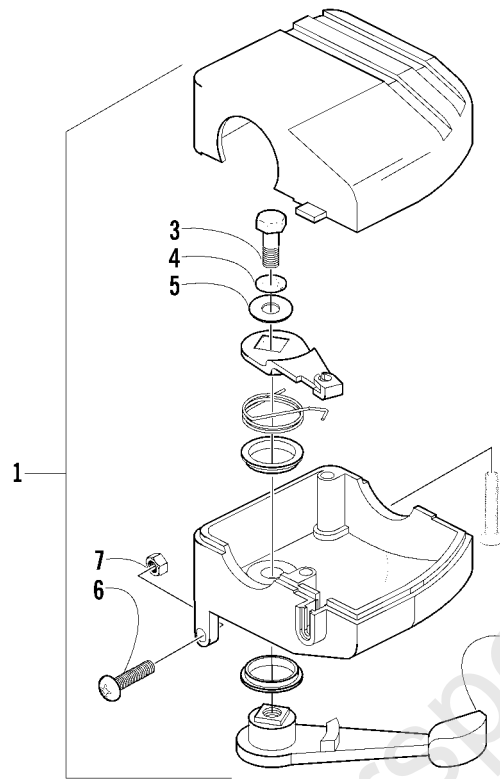
Ref.	Part No.	Qty.	Description	Ref.	Part No.	Qty.	Description
1	3430-053	1	Stator Assembly	6	3423-005	3	Bolt
2	3430-054	1	Rotor/Flywheel	7	3430-006	1	Clamp
3	3004-756	3	Bolt	8	3430-005	1	Clamp
4	0691-785	1	Key	9	3002-964	1	Clamp, Wire
5	3423-086	1	Nut				



CONTROL SWITCH HOUSING ASSEMBLY

0738-416

Ref.	Part No.	Qty.	Description	Ref.	Part No.	Qty.	Description
1	0509-013	1	Switch, Control - Assembly (inc. 2-3)	3	3423-196	1	● Screw
2	3423-197	1	● Screw	4	3409-019	1	Cover, Choke Lever



THROTTLE CASE ASSEMBLY

0737-633

Ref.	Part No.	Qty.	Description	Ref.	Part No.	Qty.	Description
1	3509-003	1	Case, Throttle - Assembly (inc. 2-8)	5	3003-030	1	● Washer
2	3409-001	1	● Lever	6	3423-014	1	● Screw
3	3004-533	1	● Screw, Cap	7	3423-327	1	● Nut
4	3004-447	1	● Washer, Lock	8	3423-199	2	● Screw

RELATED ITEMS

2006 ATV 400 VP (Manual Transmission)

Red (Model No. A2006ABH4AUSR)

Green (Model No. A2006ABH4AUSG)

0436-768	Backrest	2257-313	Manuel d'utilisation (F)
0436-679	Bag, Fender - Black	2257-299	Operator's Manual (E)
0436-660	Bag, Rack, Front - Black	0436-635	Plow Attachment Kit
0436-802	Bag, Rack, Rear - Black	0436-228	Plow Blade, 50 in. - Straight
0436-811	Basket, Open-End - Rear	0436-287	Plow Blade, 50 in. - One-Way
0436-765	Brush Guard/Bumper, Front (4x4)	0436-296	Plow Blade, 60 in. - Straight
0436-454	Cargo Box	0436-360	Plow Blade, 60 in. - One-Way
0436-625	Cargo Box Quick-Release Kit	0436-822	Plow Blade, Carbon Fiber - 60 in. - Straight
0436-777	Cover, Black and Green	0436-823	Plow Blade, Carbon Fiber - 60 in. - One-Way
0436-668	Cover, Timber Camo	0436-636	Plow, Push Frame
0436-776	Cover, Trailerable	0436-626	Rack Basket (Front)
0436-005	Engine Oil - 10W40	0436-762	Rack Extension, 4 in. (Front)
0436-003	Engine Oil - 5W30	0436-763	Rack Extension, 8 in. (Rear)
0436-450	Engine Oil - Synthetic 0W40	1402-028	Tire, Titan AT589 (25x8-12, Mud & Snow)
0436-007	Gear Lube (Diff) - 80W90	0402-563	Tire, Titan AT589 (25x10-12, Mud & Snow)
0441-281	Gun Scabbard	0436-297	Tool Holder - Double
0436-706	Gun Scabbard Mount	0436-263	Tool Holder - Single
0436-505	Hand Guards - Black	0436-382	Torch Light
0436-352	Hand/Thumb Warmers	0436-655	Winch, 2500 lb
2257-454	Illustrated Parts Manual	0436-623	Windshield, Clear w/Black Accent
0436-787	License Plate Kit		

■NOTE: For a complete list of related items, refer to the current accessory catalog.



Free Manuals Download Website

<http://myh66.com>

<http://usermanuals.us>

<http://www.somanuals.com>

<http://www.4manuals.cc>

<http://www.manual-lib.com>

<http://www.404manual.com>

<http://www.luxmanual.com>

<http://aubethermostatmanual.com>

Golf course search by state

<http://golfingnear.com>

Email search by domain

<http://emailbydomain.com>

Auto manuals search

<http://auto.somanuals.com>

TV manuals search

<http://tv.somanuals.com>