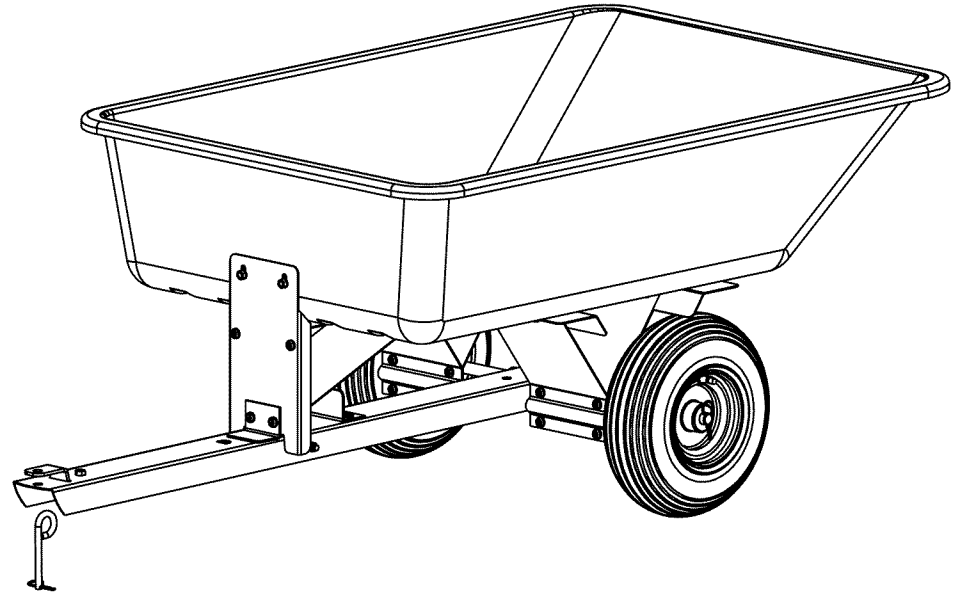


# CRAFTSMAN®

## PLASTIC UTILITY DUMP CART

Model 610.24489

- 10 cu. ft. heaped capacity
- Durable, polyethelene body
- Easy dump



If you read and follow these instructions, this product can be assembled in 55 minutes or less. If you don't read these instructions, assembly may take over two hours!

### TO MINIMIZE ASSEMBLY TIME:

- DO NOT tighten fasteners until instructed to do so.
- Illustrated items shaded red are the parts being assembled in that instruction section.
- Assemble unit on cardboard box to avoid scratches or damage to parts.
- For best results, two people are required for assembly.



- If there are any missing parts, or if you have any questions on assembly, operation, maintenance or safety, please call

**1-800-652-2321**

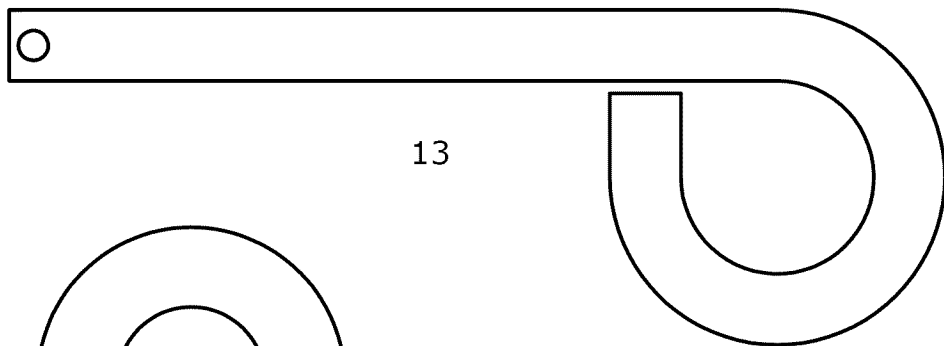
- All fasteners are readily available for purchase at your nearest Sears store or local hardware store.

Sears, Roebuck and Co., Hoffman Estates, IL 60179 U.S.A

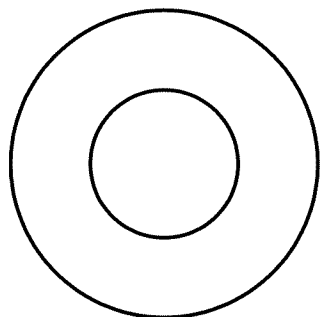
Visit our Craftsman website: [www.sears.com/craftsman](http://www.sears.com/craftsman) or [www.sears.com/manuals](http://www.sears.com/manuals). All Manuals Search and Download.

6000154-REV A 01/09

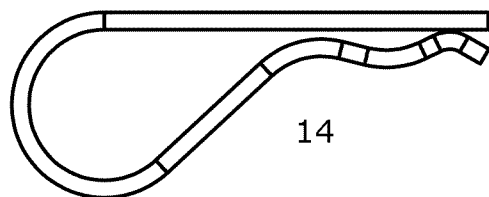
# Bolt Bag Contents



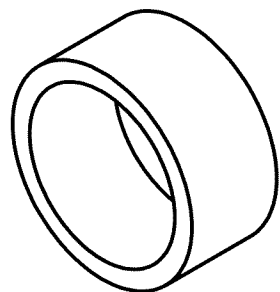
13



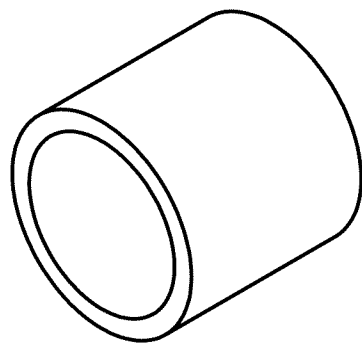
15



14

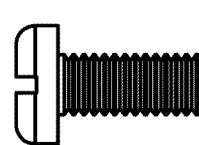


17



16

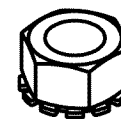
REF. NO.	PART NO.	AMT.	DESCRIPTION
13	300083	1	HITCH PIN
14	300084	3	HAIRPIN COTTER PIN
15	300072	4	3/4" AXLE WASHER
16	6000105	2	SPACER, LONG
17	6000106	2	SPACER, SHORT



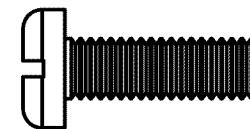
18



19



20



21

REF. NO.	PART NO.	AMT.	DESCRIPTION
18	300054	32	5/16"-18 x 3/4" PAN HEAD BOLT
19	3000711	12	5/16" USS FLAT WASHER
20	300062	34	5/16"-18 KEPS NUT
21	3000537	2	5/16"-18 x 1" PAN HEAD BOLT

## TOOLS SUGGESTED FOR ASSEMBLY

Large blade screwdriver  
1/2" wrench and/or socket  
cordless drill

## SAFETY INSTRUCTIONS

Never exceed load capacity of cart - 325 lbs.  
When operating on slopes, use lowest ground speed and limit load to 200 lbs.  
Do not carry passengers in cart.  
Do not use this cart on public roads.  
Operate up and down slopes, never across the face of slopes.  
Avoid sudden turns or maneuvers.

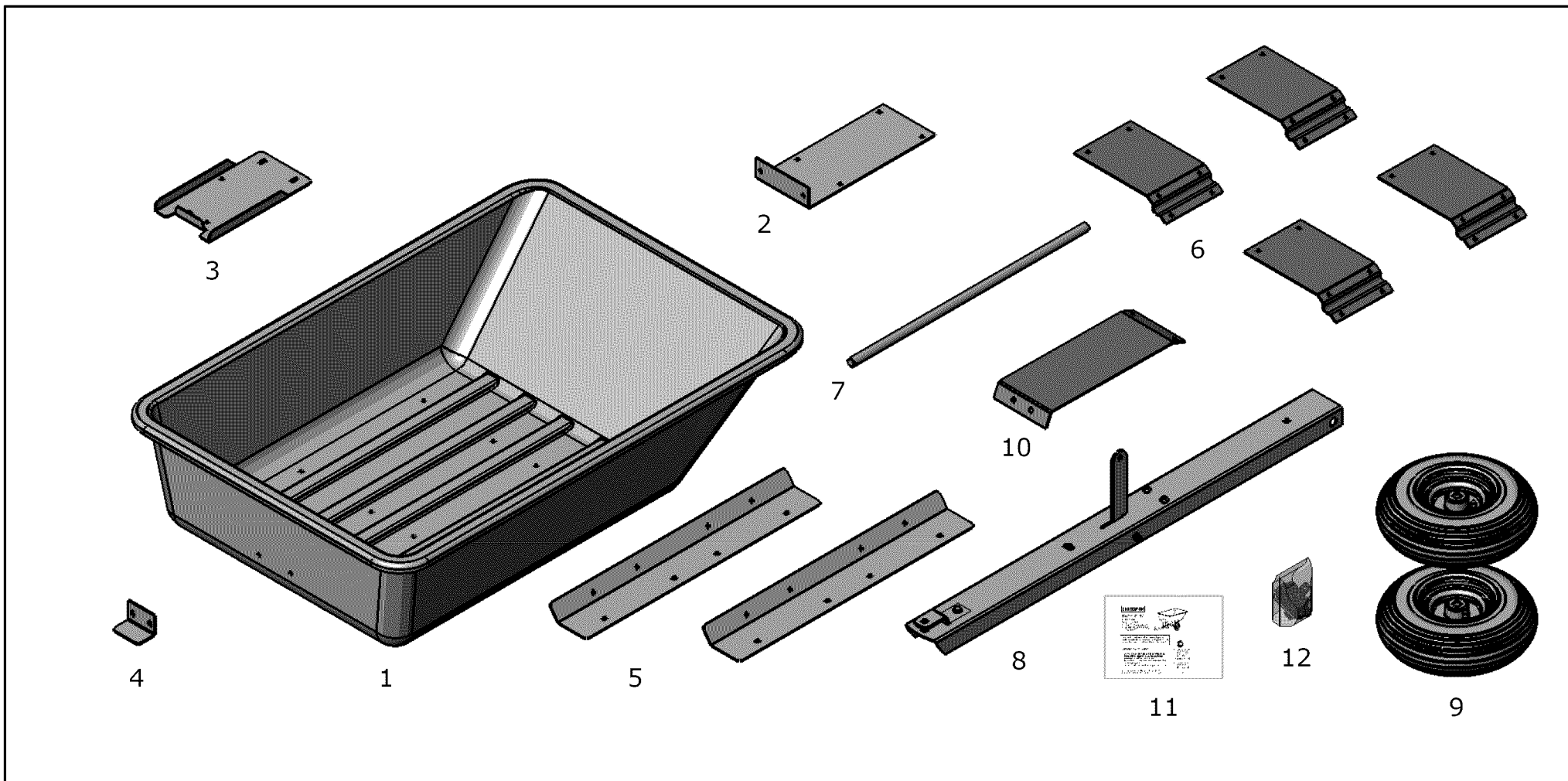
## MAINTENANCE & STORAGE

Periodically check all nuts and bolts for tightness.  
Check tire pressure regularly.  
Grease wheels at axle for longer life.  
Keep cart clean and dry to prevent rust and corrosion.  
Store inside a clean, dry area when not in use.

## OPERATION

With cart attached to tractor pull back on latch bar.  
Cart body will tilt backwards, dumping contents.  
Once empty, pull cart body down until it latches.  
Make sure to use the hairpin cotter with the hitch pin when attaching to the tractor.  
Follow all operating instructions in tractors owners manual.

# Carton Contents



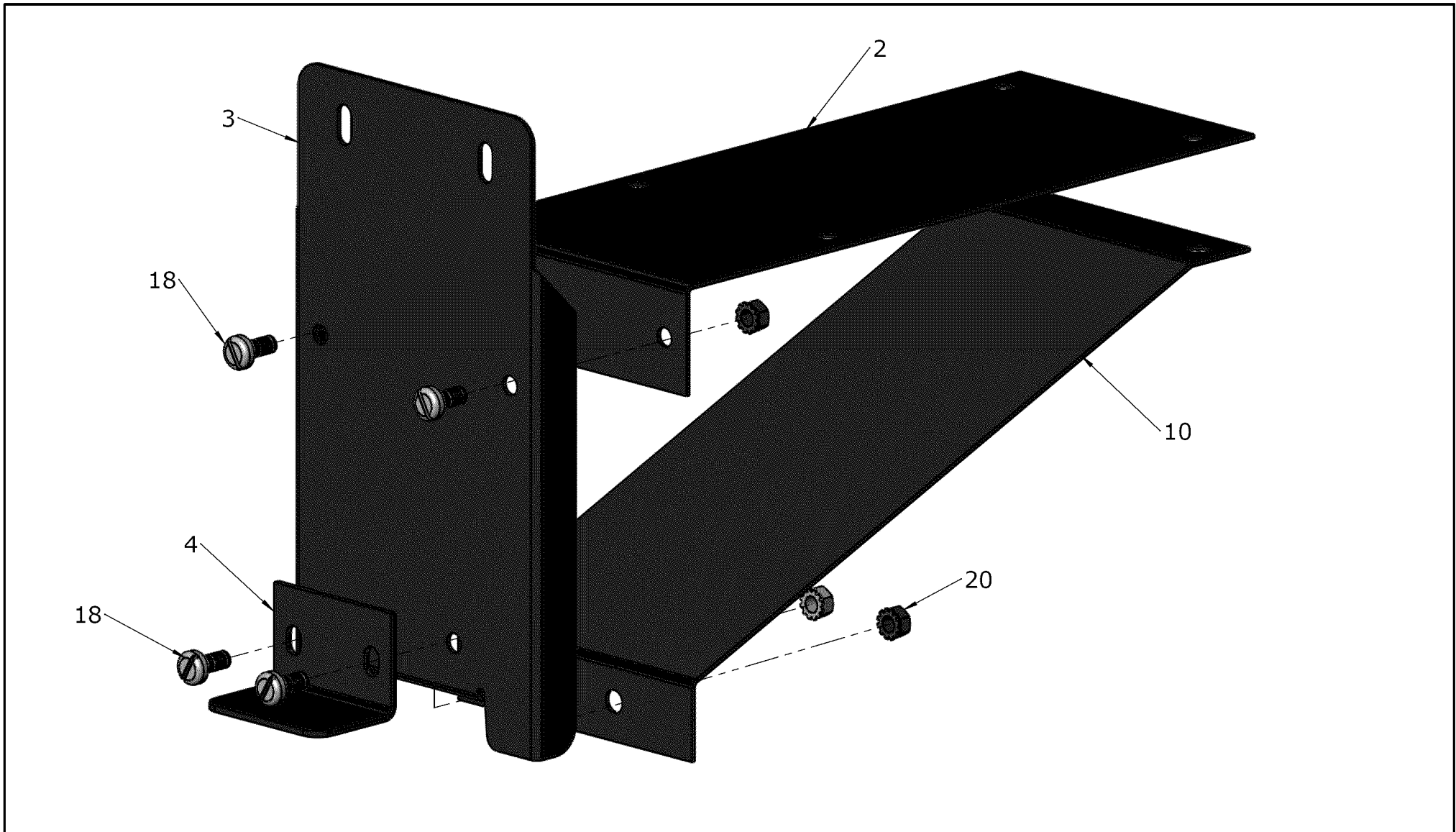
REF. NO.	PART NO.	AMT.	DESCRIPTION	REF. NO.	PART NO.	AMT.	DESCRIPTION
1	6000026	1	CART BODY	7	6000030	1	AXLE
2	6000022	1	FRONT SUPPORT BRACE	8	6000020	1	DRAWBAR ASSEMBLY
3	6000025	1	FRONT SUPPORT	9	6000027	2	WHEELS
4	6000024	2	LATCH ANGLE	10	6000023	1	ANGULAR SUPPORT
5	6000028	2	AXLE SUPPORT	11	6000154	1	ASSEMBLY MANUAL
6	6000029	4	AXLE HOLDER	12	6000108	1	BOLT BAG

FOR MISSING PARTS, Call 1-800-652-2321, Monday - Friday, 8 a.m. - 5 p.m. E.S.T.

## Front Support Sub-Assembly

Step 1. Attach LATCH ANGLE (4) to FRONT SUPPORT (3).

Step 2. Assemble FRONT SUPPORT BRACE (2) to FRONT SUPPORT (3).

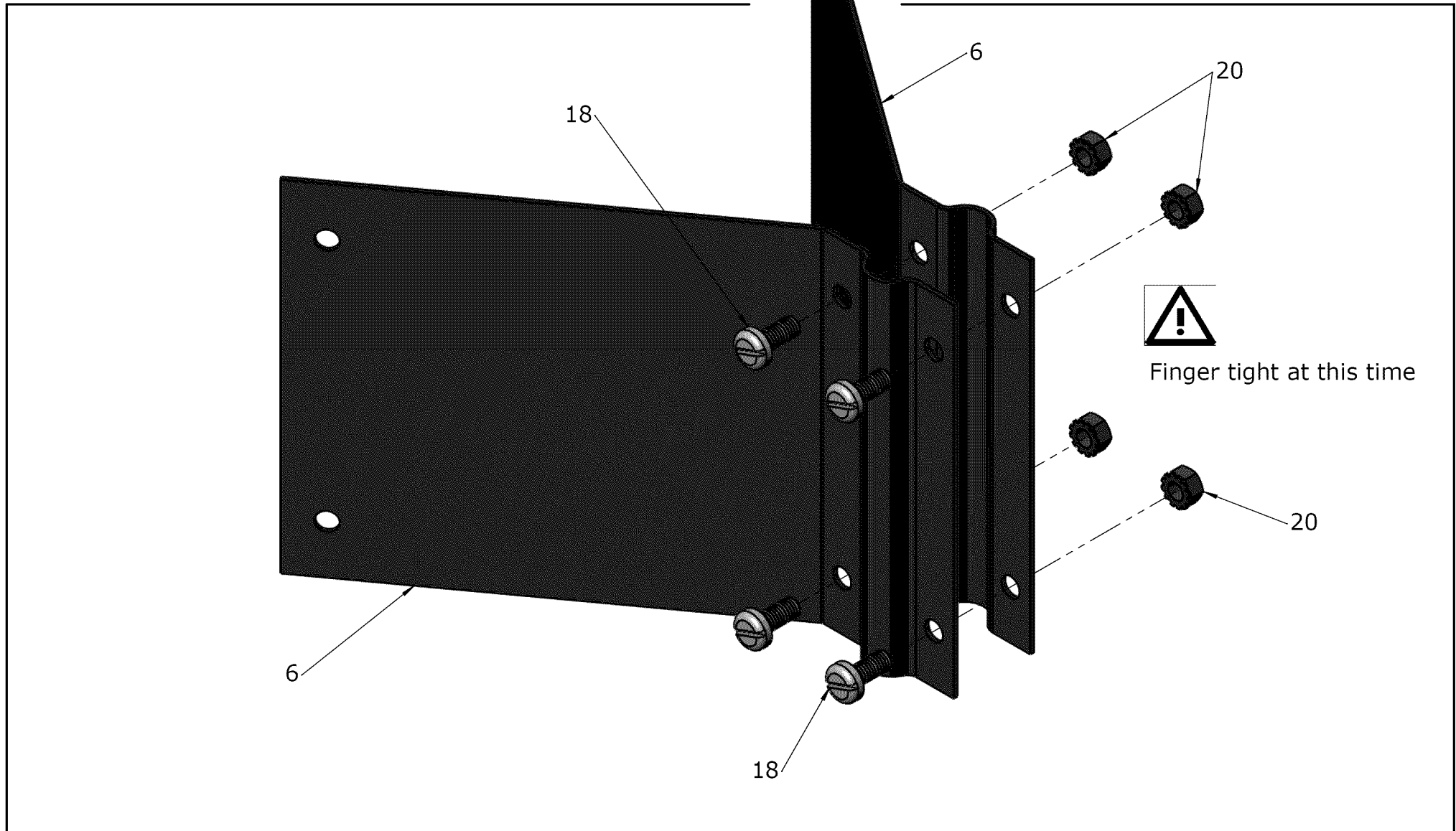


FOR MISSING PARTS, Call 1-800-652-2321, Monday - Friday, 8 a.m. - 5 p.m. E.S.T.

## Axle Support Sub-Assembly

Step 3. Loosely bolt together two AXLE HOLDERS (6) as shown. Bolts will be tightened after axle is installed.

Step 4. Repeat for other two plates.

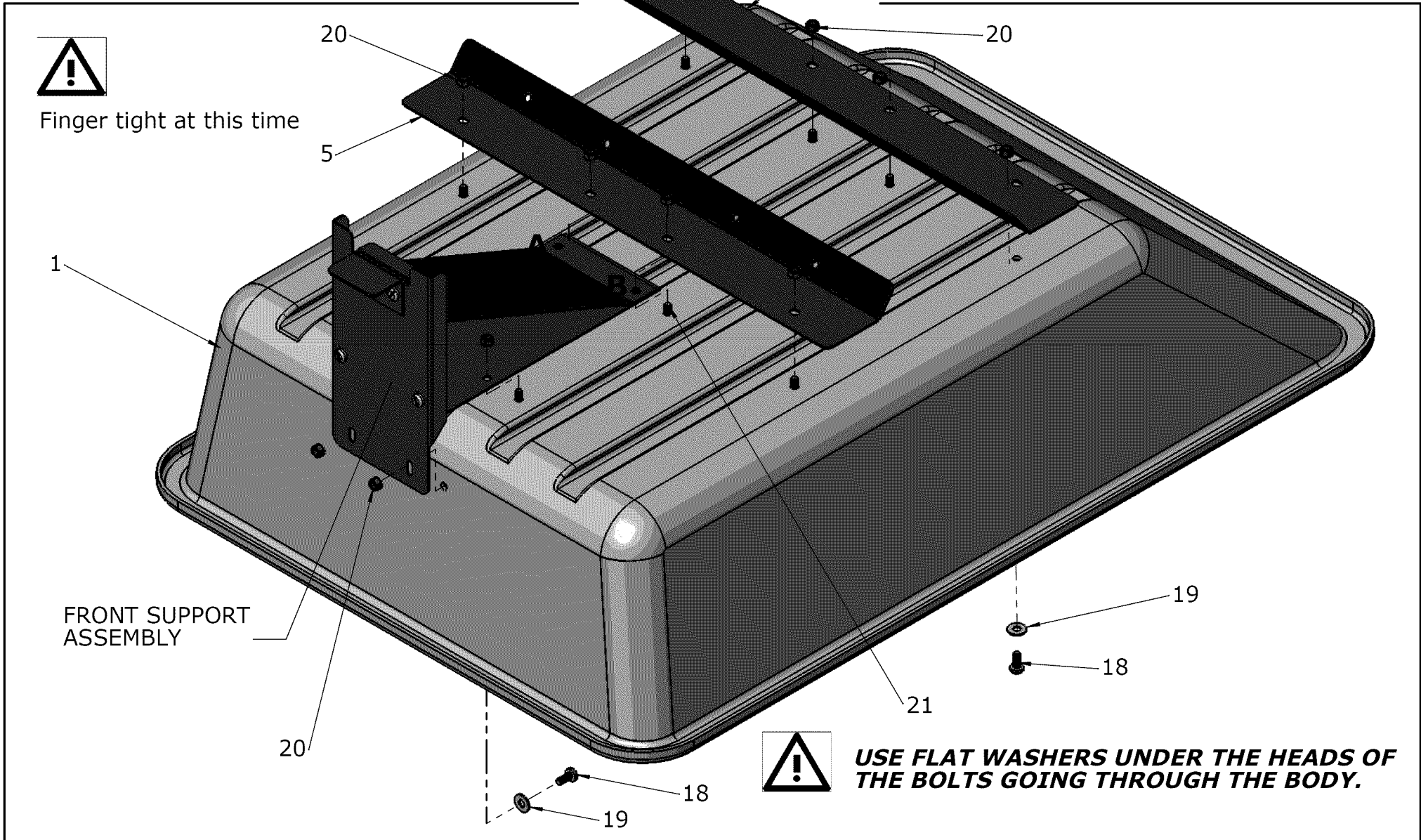


FOR MISSING PARTS, Call 1-800-652-2321, Monday - Friday, 8 a.m. - 5 p.m. E.S.T.

## Undercarriage Assembly

Step 5. Secure Front Support Assembly (Page 4) and AXLE SUPPORTS (5) to CART BODY (1) as shown, making sure to use flat washers (19) under the heads of **ALL** bolts (18 & 21) going through CART BODY (1).

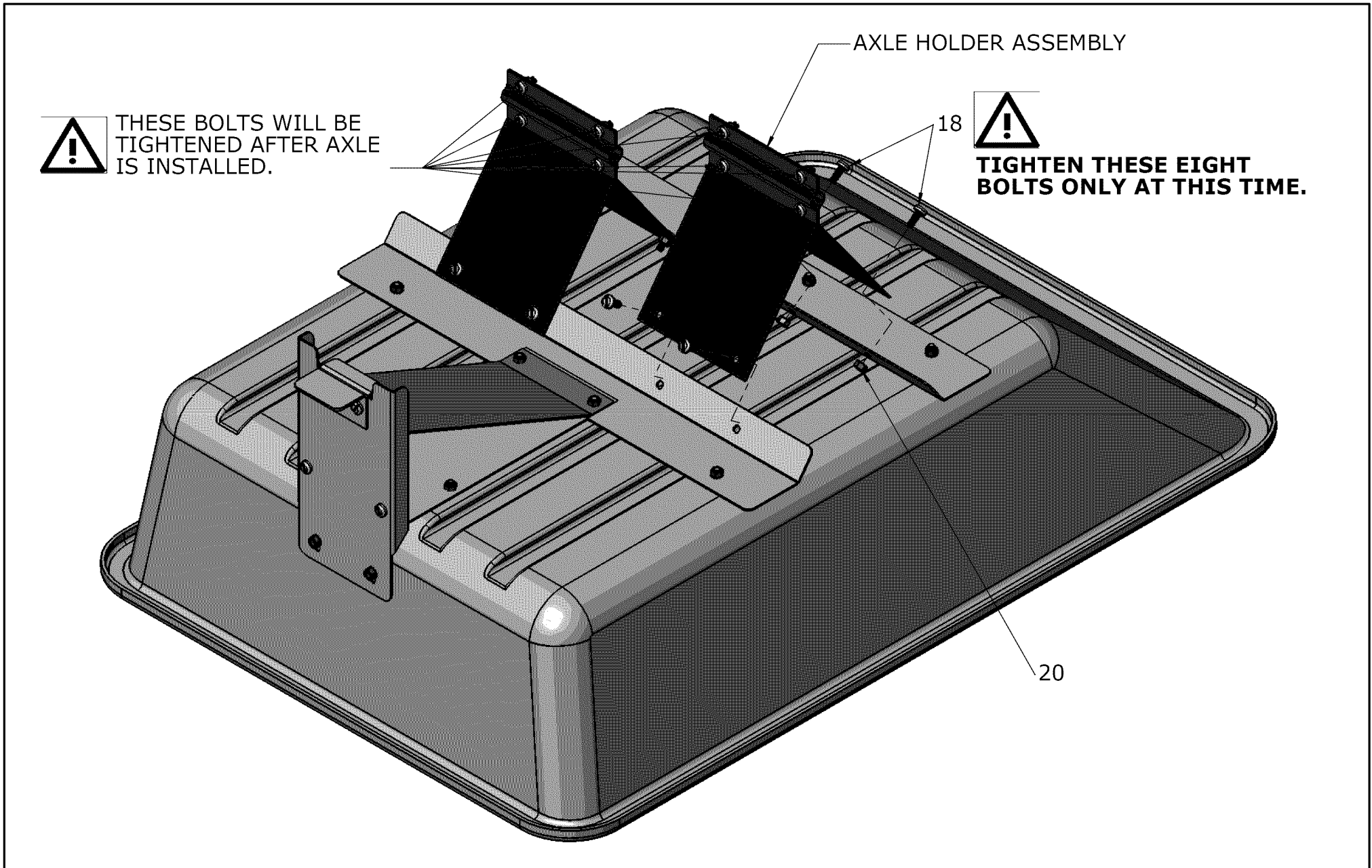
**NOTE:** Holes **A** & **B** need bolt (21)



FOR MISSING PARTS, Call 1-800-652-2321, Monday - Friday, 8 a.m. - 5 p.m. E.S.T.

## Axle Holder Assembly

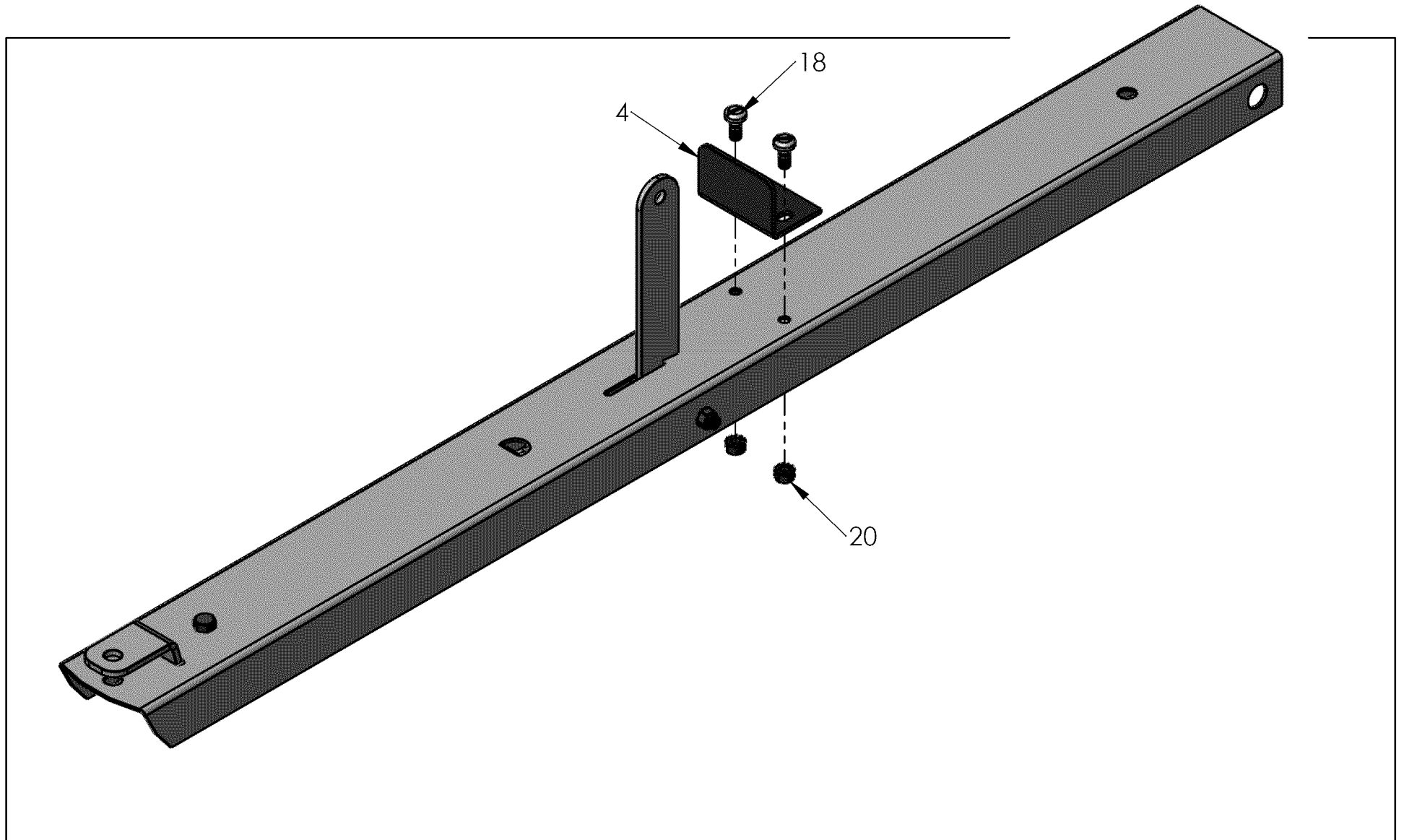
Step 6. Add AXLE HOLDER ASSEMBLIES (Page 5) to AXLE SUPPORTS with bolts (18) and keps nuts (20) as shown.



FOR MISSING PARTS, Call 1-800-652-2321, Monday - Friday, 8 a.m. - 5 p.m. E.S.T.

## Hitch Assembly

Step 7. Secure LATCH ANGLE (4) to DRAWBAR ASSEMBLY (8) with bolts (18) and kep nuts (20).



FOR MISSING PARTS, Call 1-800-652-2321, Monday - Friday, 8 a.m. - 5 p.m. E.S.T.



## Add Axle, Drawbar & Wheels

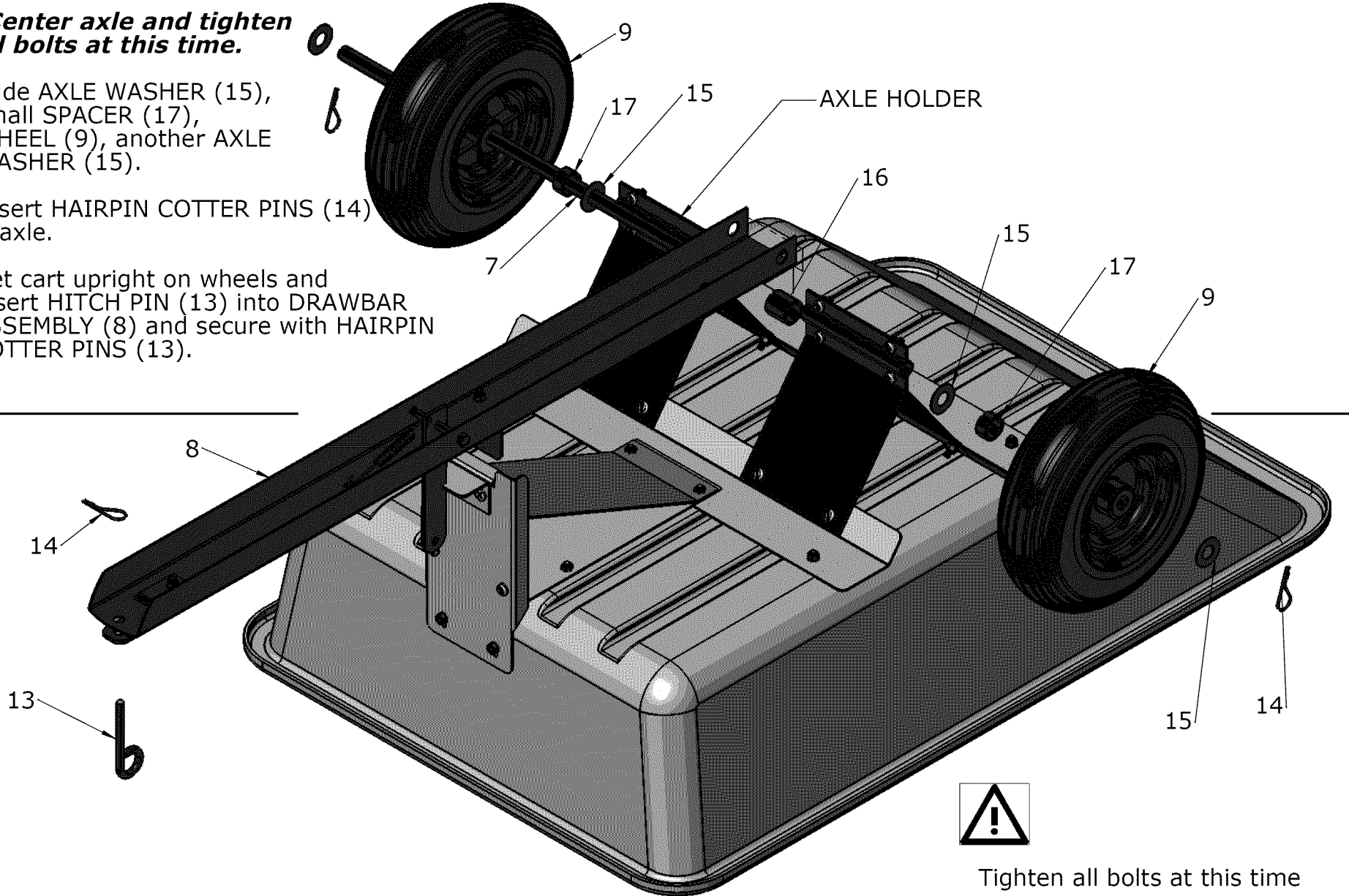
Step 8. Slide AXLE (7) through AXLE HOLDER, large SPACER (16), DRAWBAR ASSEMBLY (8), large SPACER (16) and other AXLE HOLDER.

**Step 9. Center axle and tighten all bolts at this time.**

Step 10. Slide AXLE WASHER (15), small SPACER (17), WHEEL (9), another AXLE WASHER (15).

Step 11. Insert HAIRPIN COTTER PINS (14) in axle.

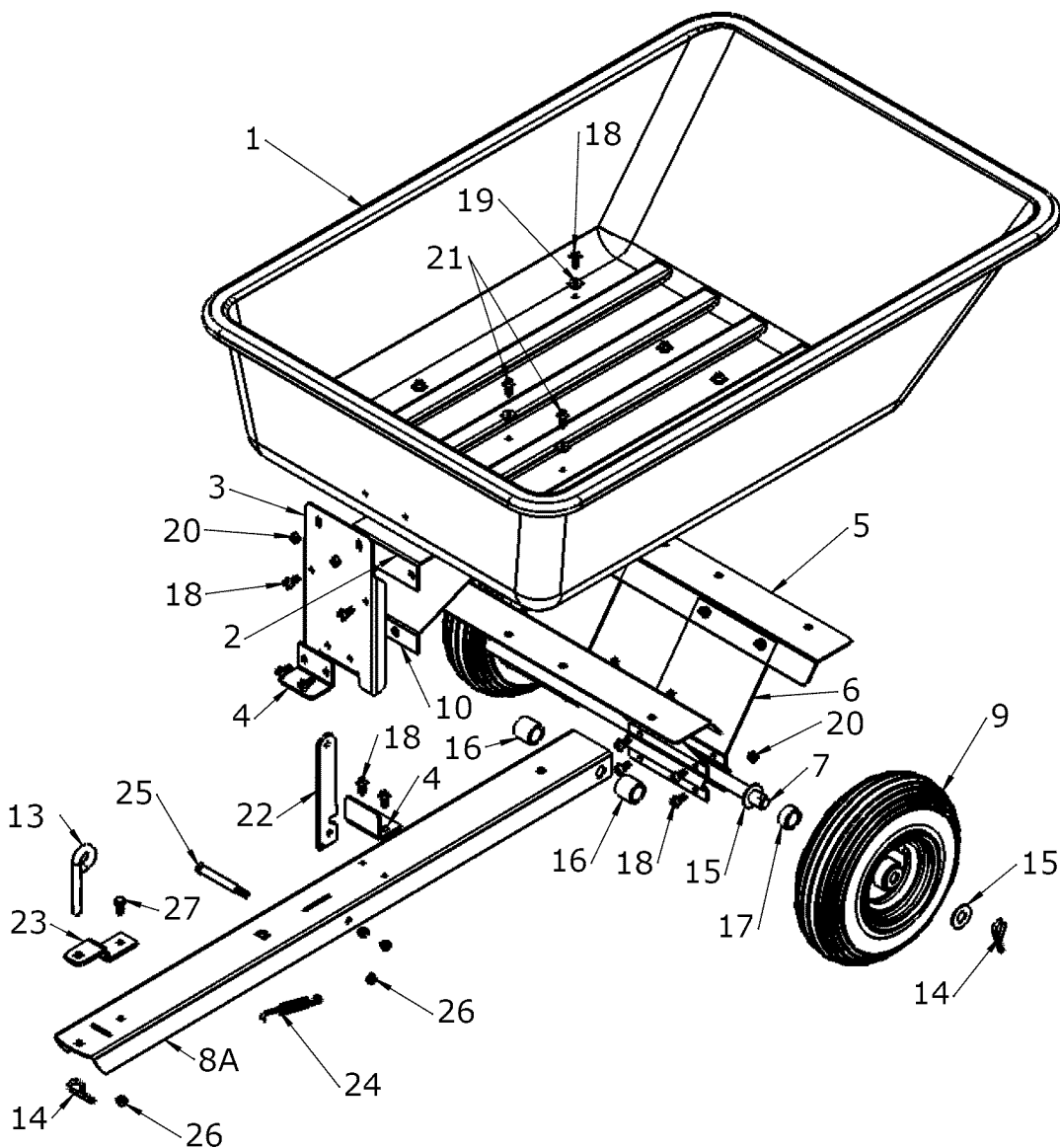
Step 12. Set cart upright on wheels and insert HITCH PIN (13) into DRAWBAR ASSEMBLY (8) and secure with HAIRPIN COTTER PINS (13).



Tighten all bolts at this time

FOR MISSING PARTS, Call 1-800-652-2321, Monday - Friday, 8 a.m. - 5 p.m. E.S.T.

# Service Parts List - 610.24489



REF.	PART NO.	AMT.	DESCRIPTION
1	6000026	1	CART BODY
2	6000022	1	FRONT SUPPORT BRACE
3	6000025	1	FRONT SUPPORT
4	6000024	2	LATCH ANGLE
5	6000028	2	AXLE SUPPORT
6	6000029	4	AXLE HOLDER
7	6000030	1	AXLE
8A	6000019	1	DRAWBAR
9	6000027	2	WHEELS
10	6000023	1	ANGULAR SUPPORT
13	300083	1	HITCH PIN
14	300084	3	HAIRPIN COTTER PIN
15	300072	4	3/4" AXLE WASHER
16	6000105	2	SPACER, LONG
17	6000106	2	SPACER, SHORT
18	300054	32	5/16"-1 x 3/4" PAN HEAD BOLT
19	3000711	12	5/16" USS FLAT WASHER
20	300062	34	5/16"-18 KEPS NUT
21	3000537	2	5/16"-18 x 1" PAN HEAD BOLT
22	401111	1	LATCH POST
23	401121	1	HITCH BRACKET
24	300131	1	LATCH SPRING
25	300053	1	3/8"-16 x 4" HEX BOLT
26	300061	2	3/8"-16 C-LOCK NUT
27	300052	1	3/8"-16 x 3/4" HEX HEAD BOLT

FOR MISSING PARTS, Call 1-800-652-2321, Monday - Friday, 8 a.m. - 5 p.m. E.S.T.

## CRAFTSMAN THREE YEAR LIMITED WARRANTY

If this Craftsman product fails due to a manufacturer's defect within three years from the date of purchase, return it to any Sears store or other Craftsman outlet in the United States for free replacement.

This warranty does not provide product replacement due to wearing off or fading of product paint, or wearing out or failure of product tires or wheels.

This warranty is void if this product is ever used for commercial or rental purposes.

This warranty gives you specific legal rights, and you may also have other rights which may vary from state to state.

Sears, Roebuck and Co., Hoffman Estates, IL 60179.

### PRODUCT RECORD

In the space below record the model number and purchase date of your cart. The model number can be found on the front cover of the user guide.

Model Number \_\_\_\_\_.

Purchase Date \_\_\_\_\_.

Keep this booklet and your Sears receipt in a safe place for future reference.

### ORDERING INFORMATION

After the three year warranty period all parts may be ordered by calling Sears Service at 1-800-4MY-HOME (1-800-469-4663).

When ordering repair parts, always give the following information:

- Product - \_\_\_\_\_.
- Model Number - \_\_\_\_\_.
- Part Number - \* \_\_\_\_\_.
- Part Description - \* \_\_\_\_\_.

\*Found on the repair part list. Reference page 10.

### NOTES

## Free Manuals Download Website

<http://myh66.com>

<http://usermanuals.us>

<http://www.somanuals.com>

<http://www.4manuals.cc>

<http://www.manual-lib.com>

<http://www.404manual.com>

<http://www.luxmanual.com>

<http://aubethermostatmanual.com>

Golf course search by state

<http://golfingnear.com>

Email search by domain

<http://emailbydomain.com>

Auto manuals search

<http://auto.somanuals.com>

TV manuals search

<http://tv.somanuals.com>