

Owner's Manual

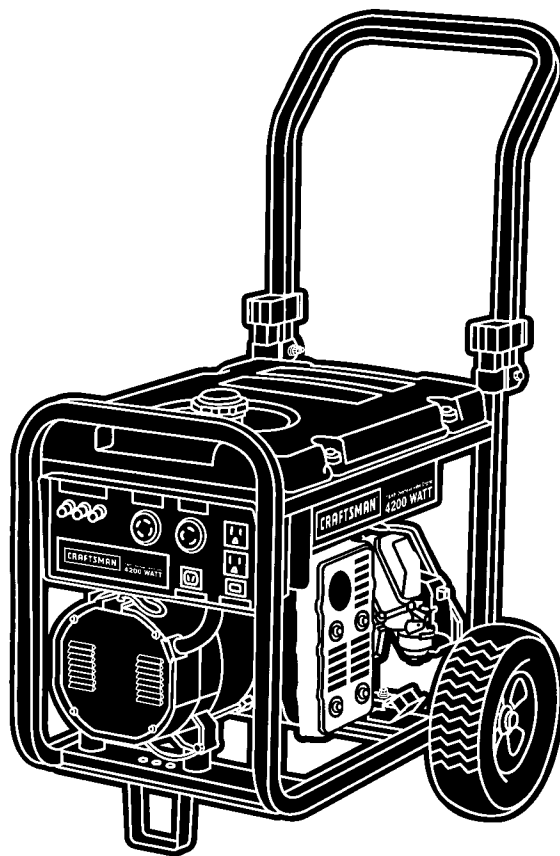
CRAFTSMAN®

7.8 Horsepower

4200 Watt

AC GENERATOR

Model No. 580.327141



HOURS: Mon. - Fri. 8 a.m. to 5 p.m. (CT)

CAUTION:

Before using this product, read this manual and follow all its Safety Rules and Operating Instructions.

Sears, Roebuck and Co., Hoffman Estates, IL 60179

Visit our Craftsman website: www.sears.com/craftsman

Part No. B2552 Draft 5 (6/27/2000) Printed in the U.S.A.

- Safety
- Assembly
- Operation
- Maintenance
- Parts
- Español

TABLE OF CONTENTS

Warranty	2	Troubleshooting	16
Safety Rules	3	Schematic	18
Assembly	4	Wiring Diagram	19
Operation	5-10	Replacement Parts	20-27
Product Specifications	11	Emissions Warranty	29
Maintenance	11-14	Español	30-47
Storage	15	How to Order Parts	Back Page

WARRANTY

LIMITED WARRANTY FOR DELUXE PORTABLE GENERATORS

SEARS warrants to the original purchaser that the alternator and engine for its portable generator will be free from defects in materials or workmanship for the items and period set forth below from the date of original purchase. This warranty is not transferable and applies only to portable generators driven by the GN-Series Sears warranted engine.

	CONSUMER*	COMMERCIAL*
Alternator	2 years (2nd year parts only)	1 year
Engine	2 years (2nd year parts only)	1 year

* **NOTE:** For the purpose of this warranty "Consumer Use" means personal residential household and emergency use by original purchaser, not to be used as a primary source of power. "Commercial Use" means all other uses, including rental, construction, commercial, and income producing purposes. Once a generator has experienced commercial use, it shall thereafter be considered a commercial use generator for the purpose of this warranty.

During said warranty period, SEARS will, at its option, repair or replace any part which, upon examination by SEARS, is found to be defective under normal use and service**. Starting batteries are not warranted by SEARS. All transportation costs under warranty, including return to the factory if necessary, are to be borne by the purchaser and prepaid by him. This warranty does not cover normal maintenance and service and does not apply to a generator set, alternator or engine, or parts which have been subjected to improper or unauthorized installation or alteration, misuse, negligence, accident, overloading, overspeeding, improper maintenance, repair or storage so as, in SEARS's judgment, to adversely affect its performance and reliability.

** **NORMAL WEAR:** As with all mechanical devices, engines need periodic parts service and replacement to perform well. This warranty will not cover repair when normal use has exhausted the life of a part or engine.

THERE IS NO OTHER EXPRESS WARRANTY. SEARS HEREBY DISCLAIMS ANY AND ALL IMPLIED WARRANTIES, INCLUDING BUT NOT LIMITED TO THOSE OF MERCHANTABILITY AND FITNESS FOR A PARTICULAR PURPOSE TO THE EXTENT PERMITTED BY LAW. THE DURATION OF ANY IMPLIED WARRANTIES WHICH CANNOT BE DISCLAIMED IS LIMITED TO THE TIME PERIOD AS SPECIFIED IN THE EXPRESS WARRANTY. LIABILITY FOR CONSEQUENTIAL, INCIDENTAL, OR SPECIAL DAMAGES UNDER ANY AND ALL WARRANTIES IS EXCLUDED. Some provinces do not allow limitations on how long an implied warranty lasts, or the exclusion or limitation of incidental or consequential damages, so the above limitations or exclusions may not apply to you. This warranty gives you specific legal rights and you may also have other rights, which vary from state to state.

For service, see your nearest SEARS authorized warranty service facility. Warranty service can be performed only by a SEARS authorized service facility. This warranty will not apply to service at any other facility. At the time of requesting warranty service, evidence of original purchase date must be presented.

SEARS, ROEBUCK and CO., D/817WA, Hoffman Estates, IL 60179 U.S.A.

SAFETY RULES



CAUTION! Before using this product, read this manual and follow all Safety Rules and Operating Instructions.



WARNING:



The engine exhaust from this product contains chemicals known to the State of California to cause cancer, birth defects, or other reproductive harm.



DANGER! This generator is designed for outdoor use only. **Do Not** use this generator inside any building or enclosure including the generator compartment of a recreational vehicle (RV). Fire or an explosion may result. No user performed modifications, including venting of exhaust and/or cooling ventilation, will eliminate the danger. Also, allow at least two feet of clearance on all sides of the generator even while operating the unit outdoors.



CAUTION! Always disconnect spark plug wire and place the wire where it cannot contact the spark plug. To prevent accidental starting when setting up, transporting, adjusting or making repairs to your generator.

- The generator produces dangerously high voltage that can cause extremely hazardous electrical shock. Avoid contact with bare wires, terminals, etc. **Never** permit any unqualified person to operate or service the generator.
- **Never** handle any kind of electrical cord or device while standing in water, while barefoot or while hands or feet are wet. Dangerous electrical shock will result.
- The National Electric Code requires the frame and external electrically conductive parts of generators to be properly connected to an approved earth ground. Local electrical codes may also require proper grounding of the generator. Consult with a local electrician for grounding requirements in your area.
- Use a ground fault circuit interrupter in any damp or highly conductive area (such as metal decking or steel work).
- **Do Not** use worn, bare, frayed or otherwise damaged electrical cord sets with the generator. Using a defective cord set may result in electrical shock or damage to equipment and/or property.
- Operate generator only on level surfaces and where it will not be exposed to excessive moisture, dirt, dust or corrosive vapors.



This is the safety alert symbol. It is used to alert you to potential personal injury hazards. Obey all safety messages that follow this symbol to avoid possible injury or death.

- Gasoline is highly **FLAMMABLE** and its vapors are **EXPLOSIVE**. **Do Not** permit smoking, open flames, sparks or heat in the vicinity while handling gasoline. Avoid spilling gasoline on a hot engine. Comply with all laws regulating storage and handling of gasoline.
- **Never** add fuel while unit is running.
- **Do Not** overfill the fuel tank. Always allow room for fuel expansion. If tank is overfilled, fuel can overflow onto a hot engine and cause **FIRE** or an **EXPLOSION**.
- **Never** store the generator with fuel in the tank where gasoline vapors might reach an open flame, spark, or pilot light (as on a furnace, water heater or clothes dryer). **FIRE** or an **EXPLOSION** might result.
- Generator exhaust gases contain **DEADLY** carbon monoxide gas. This dangerous gas, if breathed in sufficient concentrations, can cause unconsciousness or even death. Operate this equipment only in the open air where adequate ventilation is available.
- Allow at least 2 feet of clearance on all sides of the generator, even while operating unit outdoors, or damage may occur. **Never** operate the unit inside any room or enclosure where the free flow of cooling air into and out of the unit might be obstructed.
- **Never** start or stop the unit with electrical loads connected to receptacles and with the connected devices turned **ON**. Start the engine and let it stabilize before connecting electrical loads. Disconnect all electrical loads before shutting down the generator. See page 9 for "Cold Weather Operation".
- **Do Not** insert any object through cooling slots of the unit.
- **Never operate the generator:**
 - (a) in rain; (b) in any enclosed compartment; (c) when connected electrical devices overheat; (d) if electrical output is lost; (e) if engine or generator sparks; (f) if flames or smoke are observed while unit is running; (g) if unit vibrates excessively.

NOTE: The generator is equipped with a spark arrester muffler that must be maintained in working order by the owner/operator. In the State of California, a spark arrester is required by law (Section 4442 of the California Public Resources Code). Other states may have similar laws. Federal laws apply on federal lands.

ASSEMBLY

Your Craftsman generator requires some assembly and is ready for use after it has been properly serviced with the recommended oil and fuel.

If you have any problems with the assembly of your generator, please call the generator helpline at 1-800-222-3136.

IMPORTANT: Any attempt to run the engine before it has been serviced with the recommended oil will result in an engine failure.

TO REMOVE THE GENERATOR FROM CARTON

- Set the carton on a rigid flat surface with "THIS SIDE UP" arrows pointing upward. See "Cold Weather Operation" on page 9 before cutting carton.
- Carefully open the top flaps of the shipping carton.
- Cut down corners at one end of carton from top to bottom and lay that side of carton down flat.
- Remove all packing material, carton filters, etc.
- Remove the generator from the shipping carton.

CARTON CONTENTS

Check all contents. If any parts are missing or damaged, call the generator helpline at **1-800-222-3136**.

The carton contains:

- The main unit
- Battery charge cables
- Spark plug
- Air filter

- Spark plug wrench
- Owner's manual
- Engine oil
- Wheel kit

ASSEMBLING THE WHEEL KIT

The wheel kit is designed to improve the portability of your generator.

To install the wheel kit, you need the following tools:

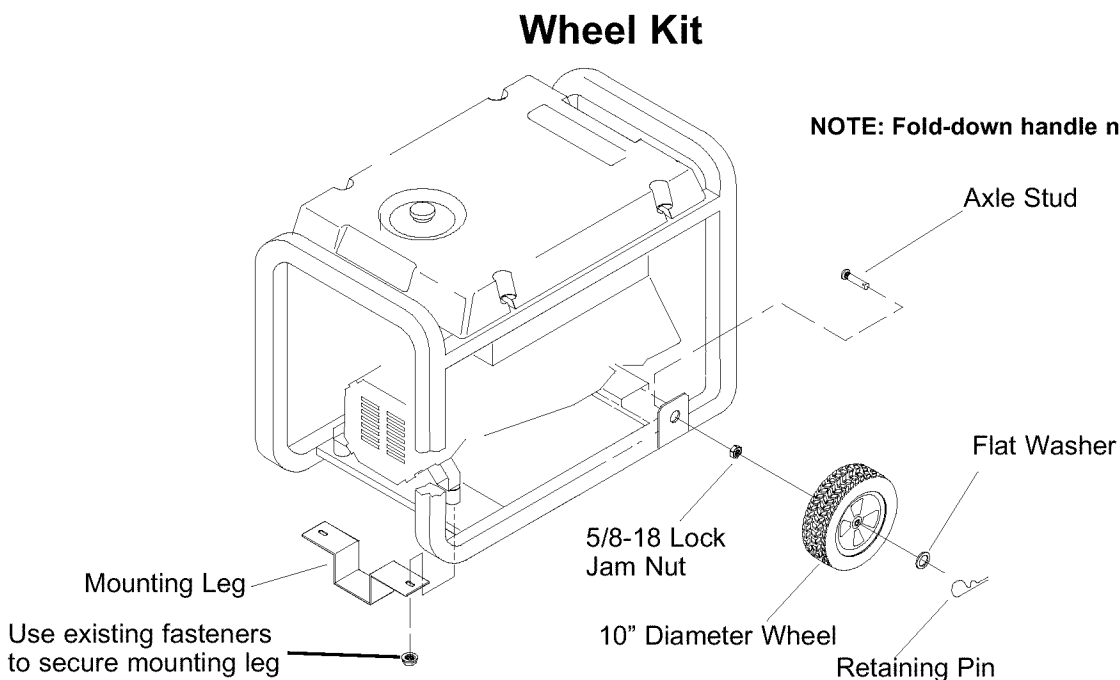
- 15/16" box, open end or socket wrench.
- (2) 13mm box, open end or socket wrenches.

Install wheel kit as follows (refer to illustration below):

- Place the bottom of the generator cradle on a flat, even surface.
- Place axle stud through metal tab on cradle frame.
- Use a 15/16 inch wrench to secure the axle stud to frame with 5/8-18 jam nut.
- Install the other axle stud in the same manner.

NOTE: Be sure to install the wheel with raised hub inboard.

- Tip unit and install wheel.
- Retain wheel on axle stud with retaining pin and flat washer. Install other wheel on remaining axle shaft in the same manner.
- Remove the two front nuts and lock washers from vibration mounting with 13mm wrench. Use these nuts to retain the mounting leg.

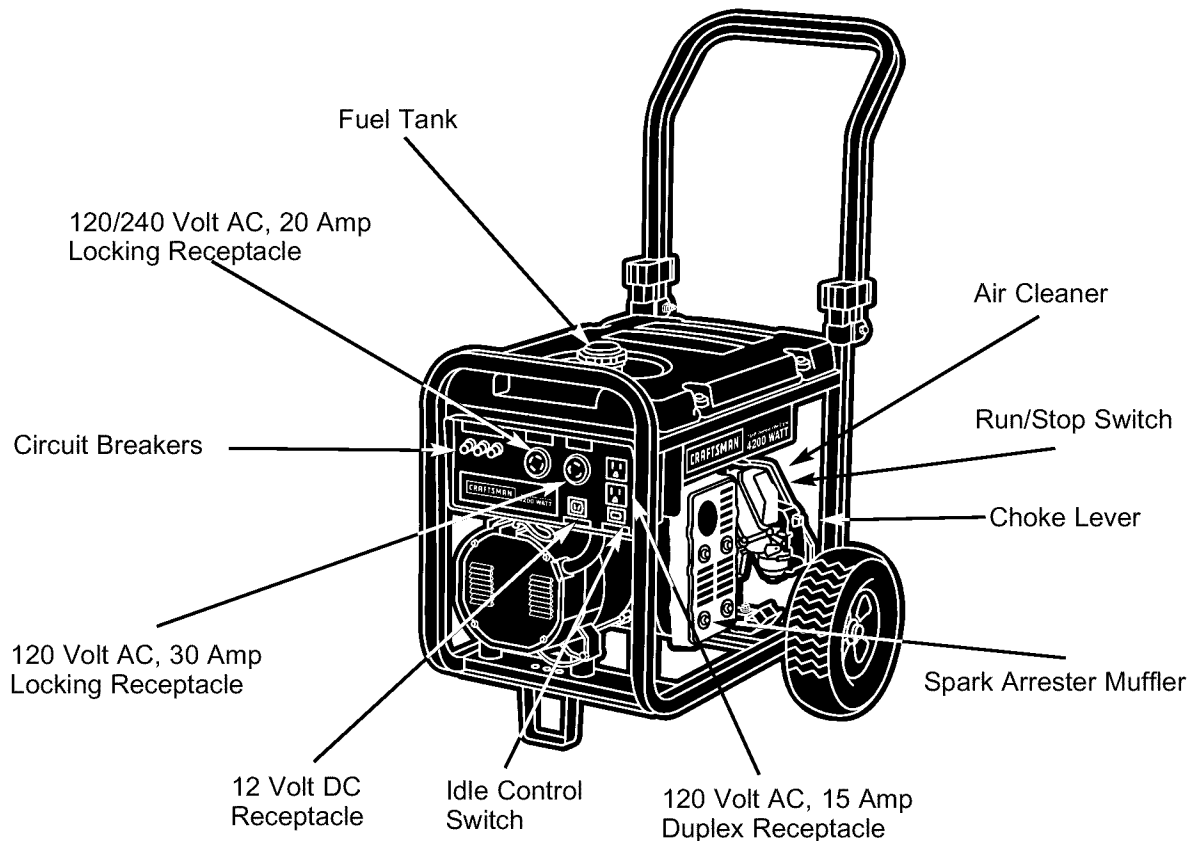


OPERATION

KNOW YOUR GENERATOR

Read the owner's manual and safety rules before operating your generator.

Compare the illustrations with your generator to familiarize yourself with the locations of various controls and adjustments. Save this manual for future reference.



12 Volt DC Receptacle — This receptacle allows you to recharge a 12 Volt automotive or utility style storage battery with the battery charge cables provided.

120 Volt AC, 15 Amp, Duplex Receptacle — May be used to supply electrical power for the operation of 120 Volt AC at 15 Amp, single phase, 60 Hz, electrical lighting, appliance, tool and motor loads.

120 Volt AC, 30 Amp, Locking Receptacle — May be used to supply electrical power for the operation of 120 Volt AC at 30 Amp, single phase, 60 Hz, electrical lighting, appliance, tool and motor loads.

120/240 Volt AC, 20 Amp, Locking Receptacle — May be used to supply electrical power to 120 and/or 240 Volt AC at 20 Amp, single phase, 60 Hz, electrical lighting, appliance, tool and motor loads.

Air Cleaner — Filters intake air as it is drawn into the engine.

Choke Lever — Used when starting a cold engine.

Circuit Breakers (AC) — Each receptacle is provided with a push to reset circuit breaker to protect the generator against electrical overload.

Fuel Tank — Tank holds 4 U.S. gallons of unleaded gasoline.

Idle Control Switch — The idle control runs the engine at normal (high) speeds when there is a load present and runs the engine at idle (low) speeds when a load is not present.

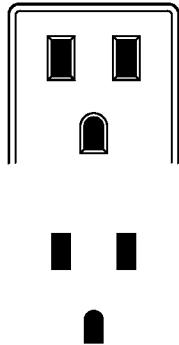
Run/Stop Switch — Must be in "Run" position to start engine. Set to "Stop" to stop the unit.

Spark Arrester Muffler — Muffler lowers engine noise and is equipped with a spark arrester screen.

CORD SETS AND CONNECTOR PLUGS

120 Volt AC Duplex Receptacle

Use only high quality, well-insulated, extension cords with the generator's 120 Volt electrical receptacles.



Each receptacle is protected against overload by a single push-to-reset circuit breaker. Use each receptacle to operate 120 Volt AC, single phase, 60 Hz, electrical loads requiring up to 1,800 watts (1.8 kW) at 15 Amps of current.

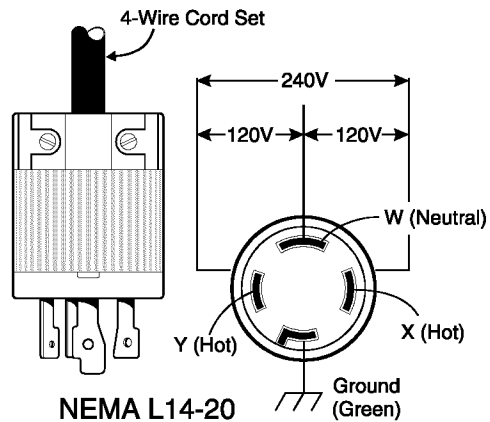
CAUTION! Although each receptacle is rated for 120 Volts at 15 Amps (1,800 watts or 1.8 kW), the generator is rated for a total of 4,200 watts. Powering loads that exceed the wattage capacity of the generator can damage it or cause serious injuries. The total 120 Volt load powered through these receptacles should not exceed 15 Amps.

Check the ratings of all extension cords before you use them. Extension cord sets used should be rated 125 AC Volts at 15 Amps (or greater) for most electrical devices. Some devices, however, may not require this type of extension cord. Check the owner's manuals of those devices for the manufacturer's recommendations.

Keep extension cords as short as possible, preferably less than 15 feet long, to prevent voltage drop and possible overheating of wires.

120/240 Volt AC, 20 Amp Receptacle

This is a full capacity receptacle which means you can take the generator's full rated wattage from this single NEMA L14-20 receptacle. The outlet is protected by a 20 Amp push-to-reset circuit breaker.



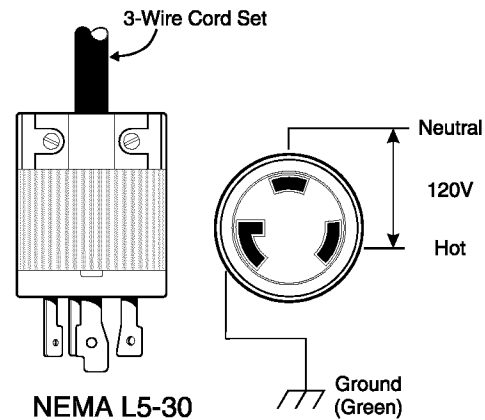
NEMA L14-20

A NEMA L14-20 mating connector plug is required for use with this 240 Volt receptacle. Connect a suitable 4-wire cord set to the plug and to the desired load. The cord set should be rated for 250 Volt AC loads at 20 Amps.

CAUTION! Although this outlet is rated for 240 Volts AC at 20 Amps, the generator is capable of producing only 17.5 Amps at 240 Volts AC.

120 Volt AC, 30 Amp Receptacle

Use a NEMA L5-30 plug with this receptacle. Connect a 3-wire cord set rated for 125 Volts AC at 30 Amps to the plug.

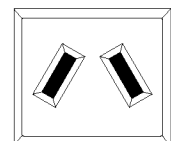


NEMA L5-30

Use this receptacle to operate 120 Volt AC, 60 Hz, single phase loads requiring up to 3,600 watts (3.6 kW) of power at 30 Amps. The outlet is protected by a 30 Amp push-to-reset circuit breaker.

12 Volt DC Receptacle

This receptacle allows you to recharge a 12 Volt automotive or utility style storage battery with the battery charge cables provided. This receptacle can not recharge 6 Volt batteries and can not be used to crank an engine having a discharged battery. See the sections "Battery Safety" and "Charging a Battery" (page 9) before attempting to recharge a battery.

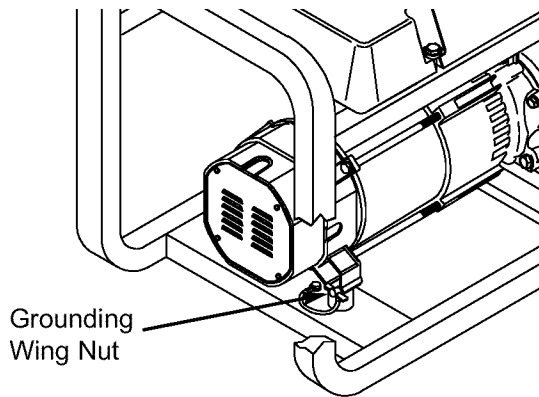


HOW TO USE YOUR GENERATOR

If you have any problems operating your generator, please call the generator helpline at **1-800-222-3136**.

Grounding The Generator

The National Electrical Code requires that the frame and external electrically conductive parts of this generator be properly connected to an approved earth ground. Local electrical codes may also require proper grounding of the unit. For that purpose, a grounding wing nut is provided on the base of the cradle.



Generally, connecting a No. 12 AWG (American Wire Gauge) stranded copper wire to the grounding nut and to an earth-driven copper or brass grounding rod (electrode) provides adequate protection against electrical shock. However, local codes may vary widely. Consult with a local electrician for grounding requirements in your area.

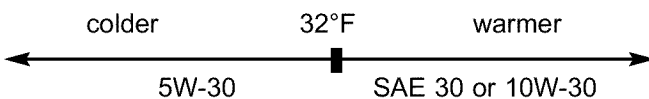
Proper grounding of the generator will help prevent electrical shock in the event of a ground fault condition in the generator or in connected electrical devices. Proper grounding also helps dissipate static electricity, which often builds up in ungrounded devices.

Before Starting The Generator

To operate the engine you will need to do the following:

Add Engine Oil

NOTE: When adding oil to the engine crankcase in the future, use only high quality detergent oil rated with API service classification SF or SG rated SAE 30 weight. Use no special additives. Select the oil's viscosity grade according to your expected operating temperature:



Although multi-viscosity oils (5W30, 10W30, etc.) improve starting in cold weather, these multi-viscosity oils will result in increased oil consumption when used above 32°F. Check your engine oil level more frequently to avoid possible damage from running low on oil.

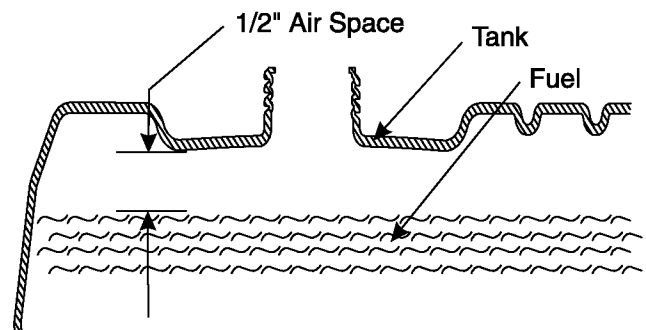
- Place generator on a level surface and remove the yellow oil fill cap. Add engine oil until level is at point of overflowing. Check engine oil level before starting each time thereafter.
- Install oil fill plug, finger tighten securely.

Add Gasoline

WARNING! NEVER fill fuel tank indoors. NEVER fill fuel tank when engine is running or hot. **DO NOT** light a cigarette or smoke when filling the fuel tank.

CAUTION! Do Not overfill the fuel tank. Always leave room for expansion.

- Use regular UNLEADED gasoline with the generator engine. **Do Not** use premium gasoline. **Do Not** mix oil with gasoline.
- Clean area around fuel fill cap, remove cap.
- Slowly add unleaded regular gasoline to fuel tank. Be careful not to overfill. Allow about 1/2" of tank space for fuel expansion, as shown here.



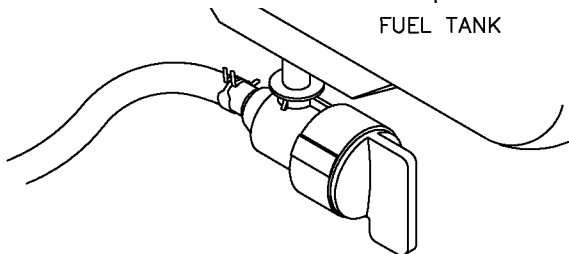
- Install fuel cap and wipe up any spilled gasoline.

IMPORTANT: It is important to prevent gum deposits from forming in fuel system parts such as the carburetor, fuel hose or tank during storage. Alcohol-blended fuels (called gasohol, ethanol or methanol) can attract moisture, which leads to separation and formation of acids during storage. Acidic gas can damage the fuel system of an engine while in storage. To avoid engine problems, the fuel system should be emptied before storage of 30 days or longer. See "Storage" on page 15. **Never** use engine or carburetor cleaner products in the fuel tank or permanent damage may occur.

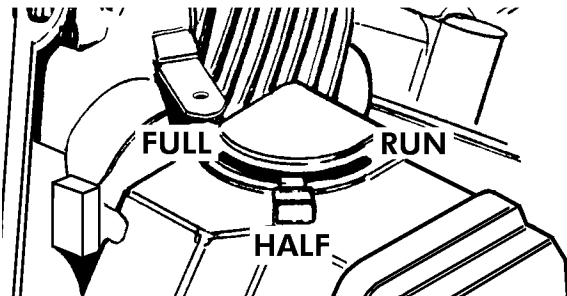
To Start The Engine

WARNING! Never start or stop engine with electrical devices plugged into the panel receptacles AND turned on.

- Unplug all electrical loads from generator receptacles before starting the engine.
- Make sure the unit is in a level position.
- Turn the fuel shut-off valve to ON position.



- Locate the Idle Control On/Off switch on the control panel and set it to the "Off" position.
- Place the Run/Stop switch in the "Run" position.
- Move engine choke lever to the "Full" choke position.



CAUTION! Never run engine indoors or in enclosed poorly ventilated areas. Engine exhaust contains carbon monoxide, an odorless and deadly gas.

WARNING! Temperature of muffler and nearby areas may exceed 150°F (65°C). Avoid these areas.

- Grasp starter handle and pull slowly until you feel some resistance. Then pull with one rapid full arm stroke. Let rope return slowly. **Do Not** let rope "snap back" against starter.
- If engine starts, move choke lever to "Run" position. Allow engine to warm up for two minutes before applying load to generator.
- If engine falters, move choke lever to "Half" choke position and pull starter handle twice.

NOTE: If engine fails to start after 3 pulls, move the choke lever to "Full" position and repeat starting instructions.

- Set the Idle Control On/Off switch to the "On" position.

Connecting Electrical Loads

- **Do Not** connect 240 Volt loads to the 120 Volt duplex receptacles.
- **Do Not** connect 3-phase loads to the generator.
- **Do Not** connect 50 Hz loads to the generator.
- Plug in and turn on the desired 120 and/or 240 Volt AC, single phase, 60 Hertz, electrical loads. **DO NOT OVERLOAD THE GENERATOR.** See "Don't Overload the Generator" on page 10.

Stopping the Engine

- Unplug all electrical loads from generator panel receptacles. **Never** start or stop engine with electrical devices plugged in and turned on.
- Turn "Off" the Idle Control switch.
- Let engine run at no-load for several minutes to stabilize the internal temperatures of engine and generator.
- Move Run/Stop switch to the "Stop" position.
- Close the fuel valve.

Operating Automatic Idle Control

This switch is designed to greatly improve fuel economy. When this switch is turned "On," the engine will only run at its normal high governed engine speed while an electrical load is connected. When the electrical load is removed, the engine will run at a reduced speed. With the switch "Off," the engine always runs at the normal high engine speed. **Always have the switch Off when starting and stopping the engine.**

Low Oil Pressure Shutdown System

The engine is equipped with a low oil pressure sensor that shuts down the engine automatically when the oil pressure drops below 6 psi. If the engine shuts down by itself and the fuel tank has enough gasoline, check engine oil level.

Initial Start-up

A delay built in the low oil shutdown system allows oil pressure to build during starting. The delay allows the engine to run for about 10 seconds before sensing oil pressure.

Sensing Low Pressure

If the system senses low oil pressure during operation, the engine shuts down. As the system shuts down, the low oil light comes ON. However, once the engine has stopped rotating, this light will go OFF.

Restarting

If you try to restart the engine within 10 seconds after it shuts down, the engine may NOT start. The system needs 5 to 10 seconds to reset.

If you do restart the engine after such a shutdown and have not corrected the low oil pressure, the engine runs for about 10 seconds as described above and then stops.

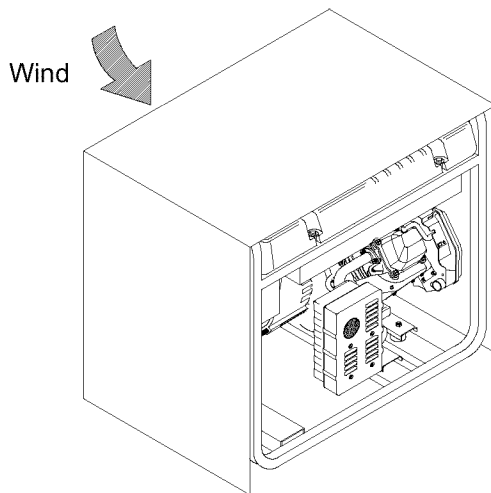
COLD WEATHER OPERATION

Under certain weather conditions (temperatures below 40°F [4°C] and a high dew point), your generator may experience icing of the carburetor and/or the crankcase breather system. In an emergency, use the original shipping box as a temporary shelter:

- Cut off all flaps and one of the long sides of the box to expose exhaust side of unit. Cut appropriate slots to access receptacles of unit.
- Start unit, then place box over it. Ensure a minimum of two feet clearance between open side of box and nearest object.

IMPORTANT: Remove shelter when temperature is above 40°F [4°C].

For a more permanent shelter, build a structure that will enclose three sides and the top of the generator. Make sure entire muffler-side of generator is exposed, with two feet clearance between open side of box and nearest object. Face exposed end away from wind and elements.



CHARGING A BATTERY

! DANGER! Storage batteries give off explosive hydrogen gas while recharging. An explosive mixture will remain around the battery for a long time after it has been charged. The slightest spark can ignite the hydrogen and cause an explosion. Such an explosion can shatter the battery and cause blindness or other serious injury.

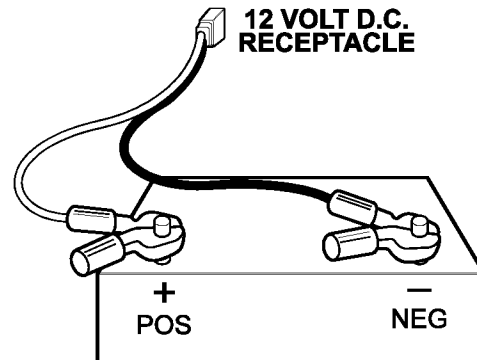


DANGER! Do Not permit smoking, open flame, sparks or any other source of heat around a battery. Wear protective goggles, rubber apron and rubber gloves when working around a battery. Battery electrolyte fluid is an extremely caustic sulfuric acid solution that can cause severe burns. If spill occurs, flush area with clear water immediately.

Your generator has the capability of recharging a discharged 12 Volt automotive or utility style storage battery. **Do Not use the unit to charge any 6 Volt batteries. Do Not use the unit to crank an engine having a discharged battery.**

To recharge 12 Volt batteries, proceed as follows:

- Check fluid level in all battery cells. If necessary, add ONLY distilled water to cover separators in battery cells. **Do Not use tap water.**
- If the battery is equipped with vent caps, make sure they are installed and are tight.
- If necessary, clean battery terminals.
- Connect battery charge cable connector plug to panel receptacle identified by the words "12-VOLTS DC"
- Connect battery charge cable clamp with **red** handle to the **positive (+)** battery terminal.



- Connect battery charge cable clamp with **black** handle to the **negative (-)** battery terminal.
- Start engine. Let the engine run while battery recharges.
- When battery has charged, shut down engine.

NOTE: Use an automotive hydrometer to test battery state of charge and condition. Follow the hydrometer manufacturer's instructions carefully. Generally, a battery is considered to be at 100% state of charge when specific gravity of its fluid (as measured by hydrometer) is 1.260 or higher.

DON'T OVERLOAD THE GENERATOR

Overloading a generator in excess of its rated wattage capacity can result in damage to the generator and to connected electrical devices. Observe the following, to prevent overloading the unit:

- Add up the total wattage of all electrical devices to be connected at one time. This total should NOT be greater than the generator's wattage capacity.
- The rated wattage of lights can be taken from light bulbs. The rated wattage of tools, appliances and motors can usually be found on a data plate or decal affixed to the device.
- If the appliance, tool or motor does not give wattage, multiply volts times ampere rating to determine watts (volts x amps = watts).

- Some electric motors, such as induction types, require about three times more watts of power for starting than for running. This surge of power lasts only a few seconds when starting such motors. Make sure you allow for this high starting wattage when selecting electrical devices to connect to your generator.

1. Figure the watts needed to start the largest motor.
2. Add to that figure the running watts of all other connected loads.

The Wattage Reference Guide below is provided to assist you to determine how many items your generator can operate at one time.

WATTAGE REFERENCE GUIDE

Device	Load (watts)
*Air Conditioner (12,000 Btu)	1700
*Air Conditioner (24,000 Btu)	3800
*Air Conditioner (40,000 Btu)	6000
Battery Charger (20 Amp)	500
Belt Sander (3")	1000
Chain Saw	1200
Circular Saw (6-1/2")	800 to 1000
*Clothes Dryer (Electric)	5750
*Clothes Dryer (Gas)	700
*Clothes Washer	1150
Coffee Maker	1750
*Compressor (1 HP)	2000
*Compressor (3/4 HP)	1800
*Compressor (1/2 HP)	1400
Curling Iron	700
*Freezer	700
*Dehumidifier	650
Disc Sander (9")	1200
Edge Trimmer	500
Electric Blanket	400
Electric Nail Gun	1200
Electric Range (per element)	1500
Electric Skillet	1250
*Furnace Fan (3/5 HP)	875
*Garage Door Opener	500 to 750
Hair Dryer	1200
Hand Drill	250 to 1100

Device	Load (watts)
Hedge Trimmer	450
Impact Wrench	500
Iron	1200
*Jet Pump	800
Lawn Mower	1200
Light Bulb	100
Microwave Oven	700 to 1000
*Milk Cooler	1100
Oil Burner on Furnace	300
Oil Fired Space Heater (140,000 Btu)	400
Oil Fired Space Heater (85,000 Btu)	225
Oil Fired Space Heater (30,000 Btu)	150
*Paint Sprayer, Airless (1/3 HP)	600
Paint Sprayer, Airless (handheld)	150
Radio	50 to 200
*Refrigerator	700
Slow Cooker	200
*Submersible Pump (1-1/2 HP)	2800
*Submersible Pump (1 HP)	2000
*Submersible Pump (1/2 HP)	1500
*Sump Pump	800 to 1050
*Table Saw (10")	1750 to 2000
Television	200 to 500
Toaster	1000 to 1650
Weed Trimmer	500

* Allow 3 times the listed watts for starting these devices.

MAINTENANCE

MAINTENANCE SCHEDULE

Follow the hourly or calendar intervals, whichever occurs first.

More frequent service is required when operating in adverse conditions noted below.

Maintenance Operation	Every 8 Hours or Daily	25 Hours or Every Season	50 Hours or Every Season	100 Hours or Every Season
Check Oil Level	X			
Service Air Cleaner Pre-Cleaner		X ¹		
Change Oil and Oil Filter ²			X ³	
Service Air Cleaner Cartridge			X ¹	
Adjust valve Clearance			X	
Retorque Head Bolts			X ⁴	
Clean Spark Arrestor Screen				X
Replace Spark Plugs				X

¹ Clean more often under dirty or dusty conditions. Replace air cleaner parts if very dirty.

² Change oil after first 8 hours of operation then after every 50 hours or every season.

³ Change oil and oil filter every 25 hours when operating under heavy load or in high temperatures.

⁴ Perform this task only after first 50 hours of operation. Head bolts will not need further retorquing.

PRODUCT SPECIFICATIONS

Generator Specifications

Rated Maximum Power	4,200 Watts (4.2 kW)
Surge Power	5,000 Watts (5.0 kW)
Rated AC Voltage	120/240 Volts
Rated Maximum Current at 240 Volts	17.5 Amperes
Rated Maximum Current at 120 Volts	35.0 Amperes
Rated Frequency	60 Hz at 3600 rpm
Phase	Single Phase

Engine Specifications

Rated Horsepower	7.8 at 3600 rpm
Displacement	220 cc
Spark Plug Type:	Champion RC12YC or Equivalent
Set Gap To:	0.030inch (0.76mm)
Gasoline Capacity	4 U.S. gallons
Oil	
Summer	Sae 30 or 10W-30
Winter	SAE 5W-30

GENERAL RECOMMENDATIONS

The generator warranty does not cover items that have been subjected to operator abuse or negligence. To receive full value from the warranty, the operator must maintain the unit as instructed in this manual.

Some adjustments will need to be made periodically to properly maintain the generator.

All adjustments in the Service and Adjustments section of this manual should be made at least once each season. Follow the requirements in the "Maintenance Schedule" chart above.

NOTE: Once a year you should clean or replace the spark plug and replace the air filter. A new spark plug and clean air filter assure proper fuel-air mixture and help your engine run better and last longer.

GENERATOR MAINTENANCE

Generator maintenance consists of keeping the unit clean and dry. Operate and store the unit in a clean dry environment where it will not be exposed to excessive dust, dirt, moisture or any corrosive vapors. Cooling air slots in the generator must not become clogged with snow, leaves, or any other foreign material.

Check the cleanliness of the generator frequently and clean when dust, dirt, oil, moisture or other foreign substances are visible on its exterior surface.



CAUTION! Never insert any object or tool through the air cooling slots, even if the engine is not running.

NOTE: Do Not use a garden hose to clean generator. Water can enter the engine fuel system and cause problems. In addition, if water enters the generator through cooling air slots, some of the water will be retained in voids and cracks of the rotor and stator winding insulation. Water and dirt buildup on the generator internal windings will eventually decrease the insulation resistance of these windings.

To clean the generator:

- Use a damp cloth to wipe exterior surfaces clean.
- A soft, bristle brush may be used to loosen caked on dirt, oil, etc.
- A vacuum cleaner may be used to pick up loose dirt and debris.
- Low pressure air (not to exceed 25 psi) may be used to blow away dirt. Inspect cooling air slots and openings on the generator. These openings must be kept clean and unobstructed.

ENGINE MAINTENANCE



DANGER! When working on the generator, always disconnect spark plug wire from spark plug and keep it away from spark plug.

Checking Oil Level

Oil level should be checked prior to each use or at least every 8 hours of operation. Keep oil level maintained.

Changing Engine Oil and Oil Filter

Change oil after first 8 hours of operation. Change oil and oil filter every 50 hours thereafter. If you are using your generator under extremely dirty or dusty conditions, or in extremely hot weather, change oil more often.

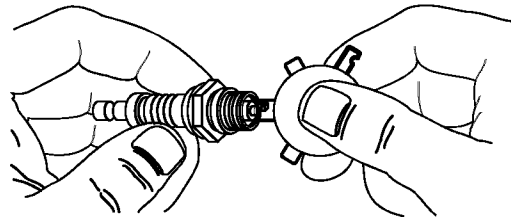
Change oil while engine is still warm from running, as follows:

- Clean area around oil drain plug.
- Remove oil drain plug and oil fill plug. Drain oil completely into a suitable container.
- When oil has completely drained, install oil drain plug and tighten securely.
- Place a suitable container beneath the oil filter and turn filter counterclockwise to remove. Discard oil and filter according to local regulations.
- Coat gasket of new filter with engine oil. Turn filter clockwise until gasket contacts tightly with filter adapter, then tighten an additional 3/4 turn.
- Fill oil sump with recommended oil. See "Before Starting the Generator" on page 7 for oil recommendations.
- Install the oil fill plug and tighten securely.
- Wipe up any spilled oil.

Clean/Replace Spark Plug

Change the spark plug every 100 hours of operation or once each year, whichever comes first. This will help your engine to start easier and run better. Replace with recommended plug.

- Clean area around spark plug.
- Remove and inspect spark plug.
- Check electrode gap with wire feeler gauge and set spark plug gap to 0.030 inch (0.76mm) if necessary.



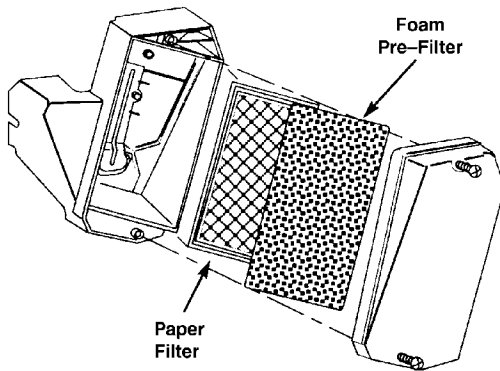
- Replace spark plug if electrodes are pitted, burned or porcelain is cracked.

Service Air Cleaner

Your engine will not run properly and may be damaged if you run it using a dirty air cleaner. Clean or replace the air cleaner paper filter once every 50 hours of operation or once a year, whichever comes first. Clean or replace more often if operating under dusty or dirty conditions. Clean foam pre-cleaner every 25 hours of operation or sooner under dusty conditions.

To clean or replace foam pre-cleaner:

- Remove air cleaner cover, then the foam pre-filter.



- Wash pre-cleaner in soapy water. Squeeze pre-filter dry in the clean cloth. **Do Not** twist.
- Clean air cleaner cover before installing it.

To clean or replace paper air filter:

- Remove air cleaner cover; then remove foam pre-filter (service if necessary) and remove paper filter.
- Clean paper filter by tapping it gently on a solid surface. If the filter is too dirty, replace it with a new one. Dispose of the old filter properly.
- Clean air cleaner cover then insert pre-cleaner into cover. Next insert new paper filter into cover to hold pre-cleaner in place and assemble all of them to the base of the air cleaner.

NOTE: If you need to order a new air filter, please call **1-800-366-PART**.

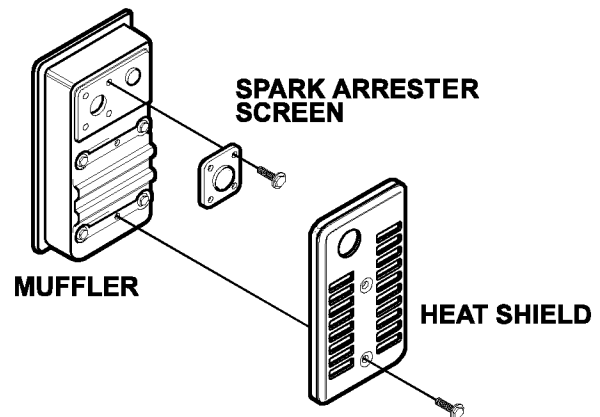
Clean Spark Arrester Screen

The engine exhaust muffler includes a spark arrester screen. Inspect and clean the screen every 100 hours of operation or once each year, whichever comes first.

NOTE: If you use your generator on any forest-covered, brush-covered or grass-covered unimproved land, it must have a spark arrester. The spark arrester must be maintained in good condition by the owner/operator.

Clean and inspect the spark arrester screen as follows:

- To remove the heat shield from the muffler, remove the screws that connect the shield to the muffler.
- Remove the screws that attach the spark arrester screen.



- Inspect screen and replace if torn, perforated or otherwise damaged. **Do Not** use a defective screen. If screen is not damaged, clean it with commercial solvent.
- Reattach the screen and the heat shield.

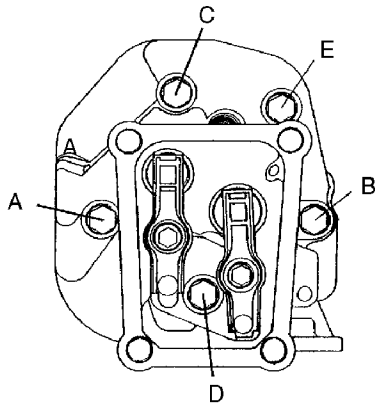
Retorque Head Bolts

After the first 50 hours of operation, you must retorque the head bolts to 4.0 kg.-m. (22 ft.-lbs.)

IMPORTANT: If you feel uncomfortable about doing this procedure or you don't have the proper tools, please take the unit to your nearest service center to retorque the head bolts. This is a very important step to insure the longest life for your engine.

NOTE: Only perform this adjustment after the first 50 hours of operation. The head bolts will need no further adjustment.

- Torque sequence is as follows: A, B, C, D, E (star pattern).



Adjusting Valve Clearance

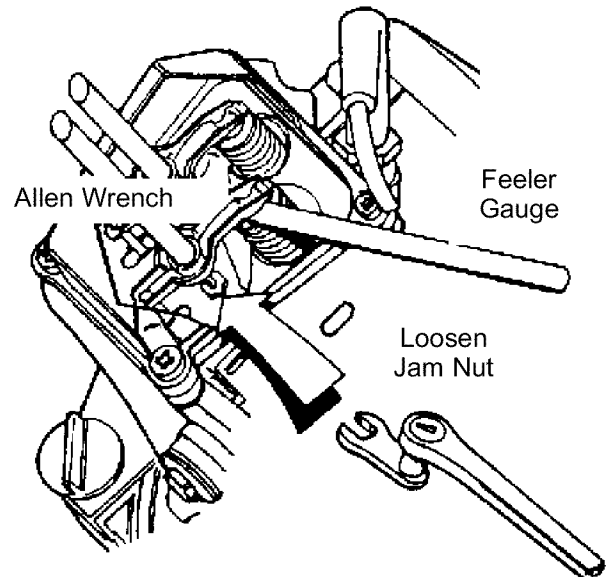
After the first 50 hours of operation, you should adjust the valve clearance in the engine.

IMPORTANT: If you feel uncomfortable about doing this procedure or you don't have the proper tools, please take the unit to your nearest service center to have the valve clearance adjusted. This is a very important step to insure the longest life for your engine.

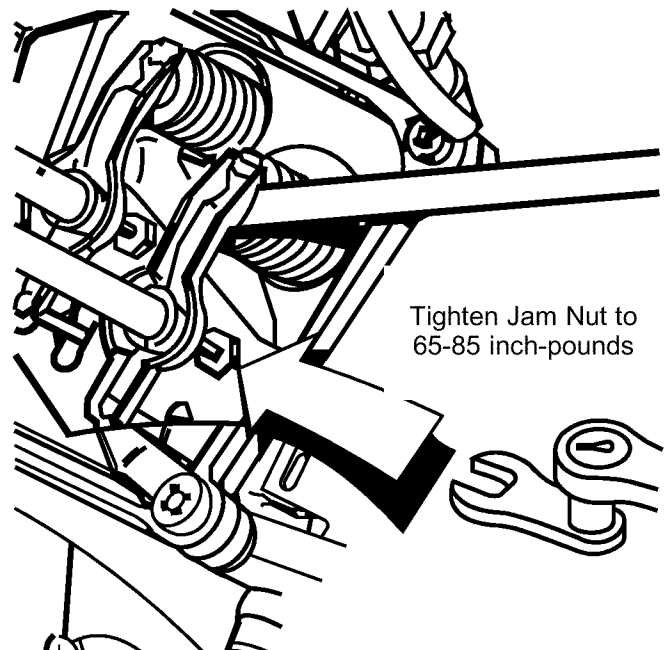
To adjust valve clearance:

- Make sure the engine is at room temperature.
- Make sure that the spark plug wire is removed from the spark plug and out of the way.
- Remove the breather tube from the valve cover.
- Remove the four screws attaching the valve cover with a #2 or 3 phillips screwdriver.
- Make sure the piston is at Top Dead Center (TDC) of its compression stroke (both valves closed). To get the piston at TDC, pull on the recoil handle slowly watching the piston through the spark plug hole. As you pull on the recoil handle the piston should move up and down. The piston is at TDC when it is up as high as it can go.
- Using a 10mm wrench, loosen the rocker arm jam nut. Use an 8mm allen wrench to turn the pivot ball stud while checking clearance between the rocker arm and the valve stem with a feeler gauge. Correct clearance is 0.002-0.004 inch (0.05-0.1mm).

NOTE: You must hold the rocker arm jam nut in place as you turn the pivot ball stud.



- When valve clearance is correct, hold the pivot ball stud in place with the allen wrench and tighten the rocker arm jam nut. Tighten the jam nut to 65-85 inch-pounds torque. After tightening the jam nut, recheck valve clearance to make sure it did not change.



- Reattach the valve cover, making sure the gasket between the valve cover and cylinder head is in place. Start all four screws before tightening or you will not be able to get all the screws in place.
- Reattach the breather tube.
- Reattach the spark plug wire to the spark plug.

STORAGE

GENERAL

The generator should be started at least once every seven days and allowed to run at least 30 minutes. If this cannot be done and you must store the unit for more than 30 days, use the following information as a guide to prepare it for storage.



WARNING! NEVER store engine with fuel in tank indoors or in enclosed, poorly ventilated areas where fumes may reach an open flame, spark or pilot light as on a furnace, water heater, clothes dryer or other gas appliance.

LONG TERM STORAGE

It is important to prevent gum deposits from forming in essential fuel system parts such as the carburetor, fuel filter, fuel hose or tank during storage. Also, experience indicates that alcohol-blended fuels (called gasohol, ethanol or methanol) can attract moisture, which leads to separation and formation of acids during storage. Acidic gas can damage the fuel system of an engine while in storage.

To avoid engine problems, the fuel system should be emptied before storage of 30 days or longer. Follow these instructions:

Protect Fuel System

- Remove all gasoline from the fuel tank to prevent gum deposits from forming on these parts and causing possible malfunction of engine.



WARNING! Drain fuel into approved container outdoors, away from open flame. Be sure engine is cool. **Do Not** smoke.

- Run engine until engine stops from lack of fuel.

Change Oil

While engine is still warm, drain oil from crankcase. Refill with recommended grade.

Oil Cylinder Bore

- Remove spark plug and pour about 1/2 ounce (15ml) of engine oil into the cylinder. Cover spark plug hole with rag. Crank slowly to distribute oil.



CAUTION! Avoid spray from spark plug hole when cranking engine slowly.

- Install spark plug. **Do Not** connect spark plug wire.

GENERATOR

- Clean the generator as outlined on page 12 ("To Clean the Generator").
- Check that cooling air slots and openings on generator are open and unobstructed.

OTHER STORAGE TIPS

- **Do Not** store gasoline from one season to another.
- Replace the gasoline can if it starts to rust. Rust and/or dirt in your gasoline will cause problems.
- If possible, store your unit indoors and cover it to give protection from dust and dirt. **BE SURE TO EMPTY THE FUEL TANK.**
- Cover your unit with a suitable protective cover that does not retain moisture.



DANGER! NEVER cover your generator while engine and exhaust area are warm.

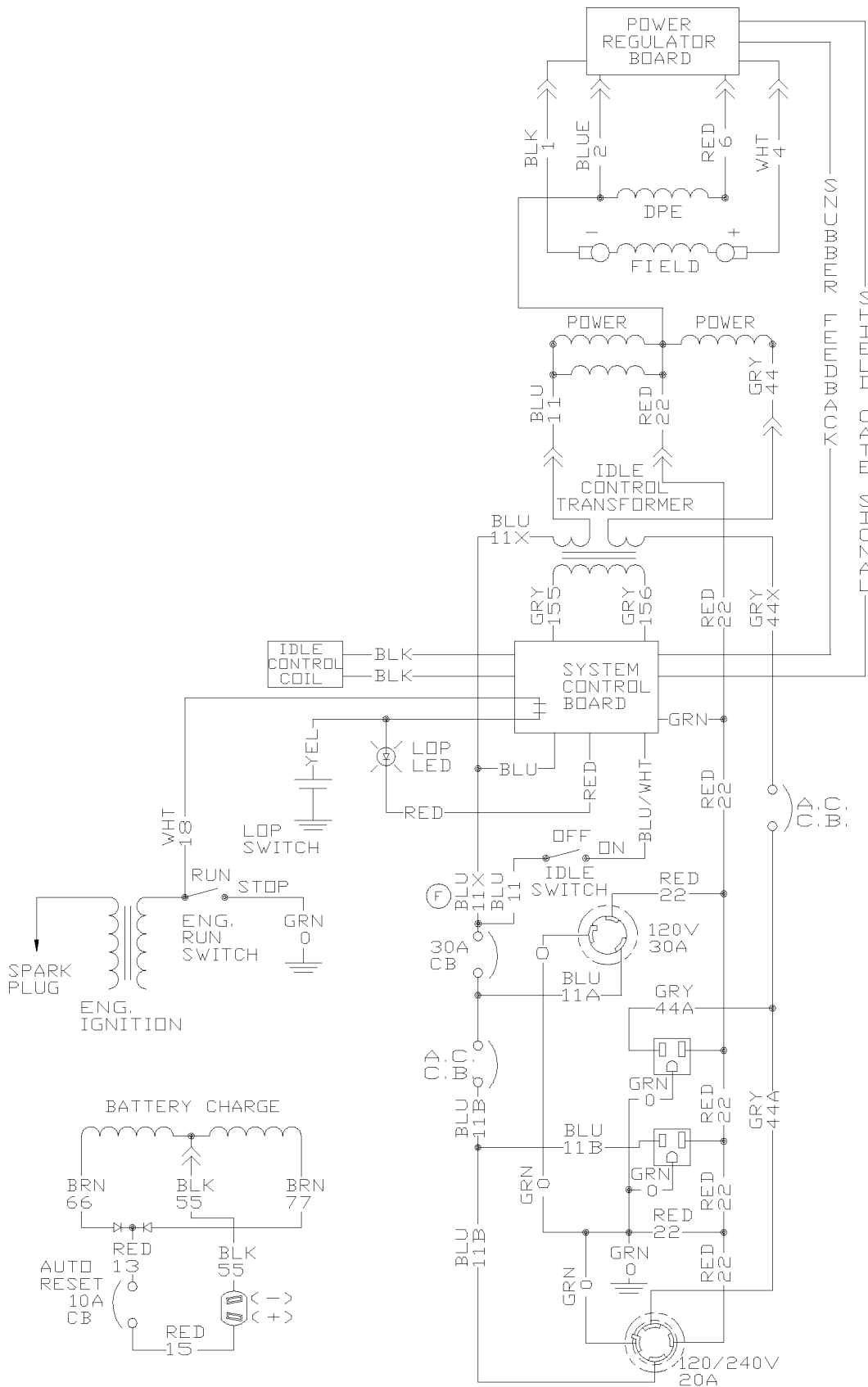
- Store generator in clean, dry area.

TROUBLESHOOTING

Problem	Cause	Correction
Engine is running, but no AC output is available.	<ol style="list-style-type: none"> 1. One of the circuit breakers is open. 2. Connected device is bad. 3. Poor connection or defective cord set. 4. Fault in generator. 	<ol style="list-style-type: none"> 1. Reset circuit breaker. 2. Connect another device that is in good condition. 3. Check and repair. 4. Contact Sears service facility.
Engine runs good at no-load but "bogs down" when loads are connected.	<ol style="list-style-type: none"> 1. Short circuit in a connected load. 2. Generator is overloaded. 3. Engine speed is too slow. 4. Shorted generator circuit. 	<ol style="list-style-type: none"> 1. Disconnect shorted electrical load. 2. See "Don't Overload the Generator" on page 10. 3. Contact Sears service facility. 4. Contact Sears service facility.
Engine will not start; or starts and runs rough.	<ol style="list-style-type: none"> 1. Run/Stop Switch set to "Stop". 2. Dirty air cleaner. 3. Out of gasoline. 4. Stale gasoline. 5. Spark plug wire not connected to spark plug. 6. Bad spark plug. 7. Water in gasoline. 8. Overchoking. 9. Low oil level. 10. Excessively rich fuel mixture. 11. Intake valve stuck open or closed. 12. Engine has lost compression. 	<ol style="list-style-type: none"> 1. Set switch to "Run". 2. Clean or replace air cleaner. 3. Fill gas tank. 4. Drain gas tank; fill with fresh fuel. 5. Connect wire to spark plug. 6. Replace spark plug. 7. Drain gas tank; fill with fresh fuel. 8. Open choke fully and crank engine. 9. Fill crankcase to proper level. 10. Contact Sears service facility. 11. Contact Sears service facility. 12. Contact Sears service facility.
Engine shuts down during operation.	<ol style="list-style-type: none"> 1. Out of gasoline. 2. Low oil level. 	<ol style="list-style-type: none"> 1. Fill fuel tank. 2. Fill crankcase to proper level.
Engine lacks power.	<ol style="list-style-type: none"> 1. Load is too high. 2. Dirty air filter. 	<ol style="list-style-type: none"> 1. See "Don't Overload the Generator" on page 10. 2. Replace air filter.
Engine "hunts" or falters.	<ol style="list-style-type: none"> 1. Choke is opened too soon. 2. Carburetor is running too rich or too lean. 	<ol style="list-style-type: none"> 1. Move choke to halfway position until engine runs smoothly. 2. Contact Sears service facility.
No battery charge DC output.	<ol style="list-style-type: none"> 1. Battery posts are corroded. 2. Battery fluid level is low. 3. Battery cable is bad. 4. Battery is defective. 5. Receptacle is bad. 	<ol style="list-style-type: none"> 1. Clean battery posts. 2. Add distilled water to battery. 3. Replace cable. 4. Check battery condition; replace if defective. 5. Contact Sears service facility.

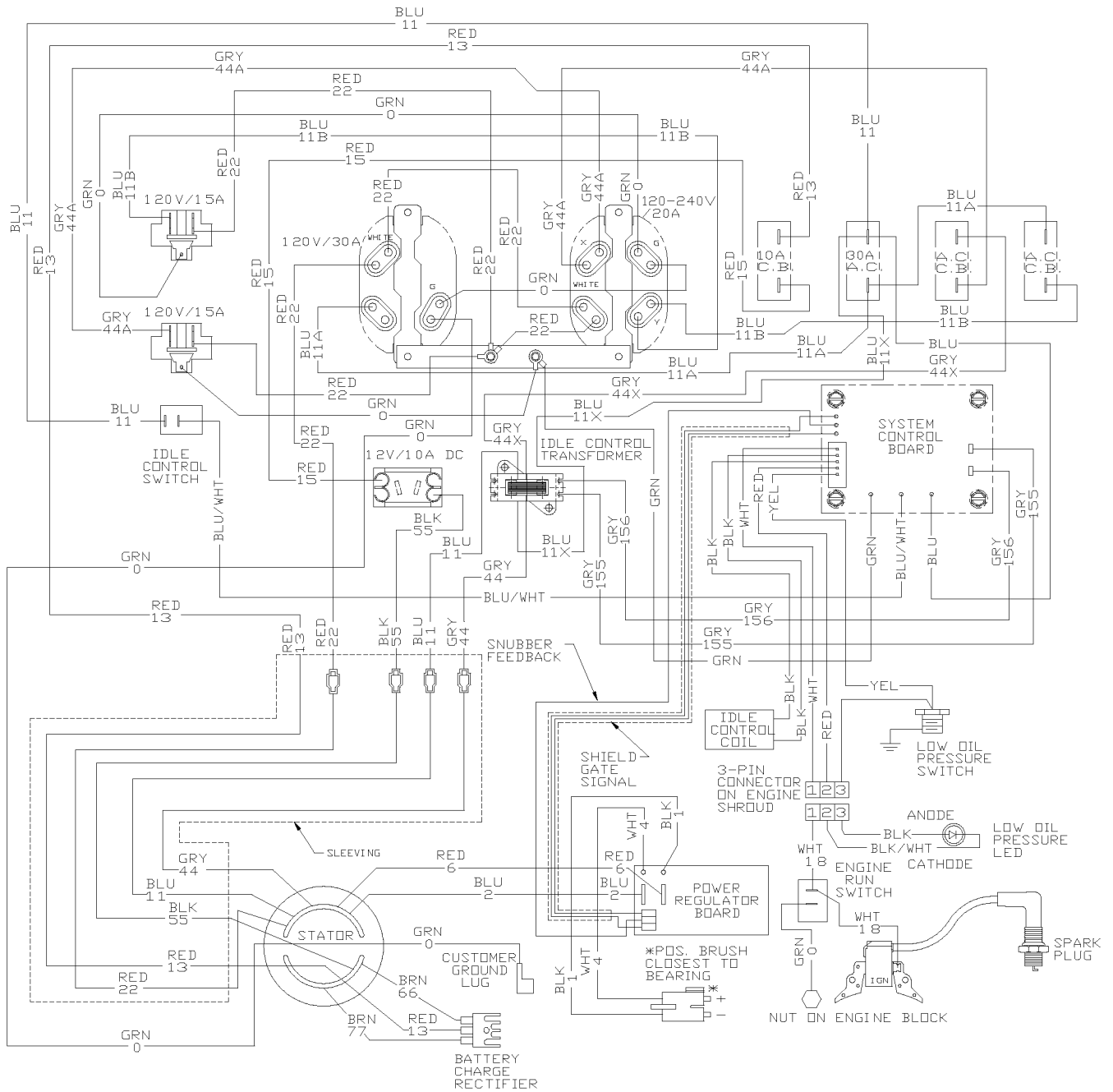
SCHEMATIC

CRAFTSMAN 4200 Watt AC Generator 580.327141



WIRING DIAGRAM

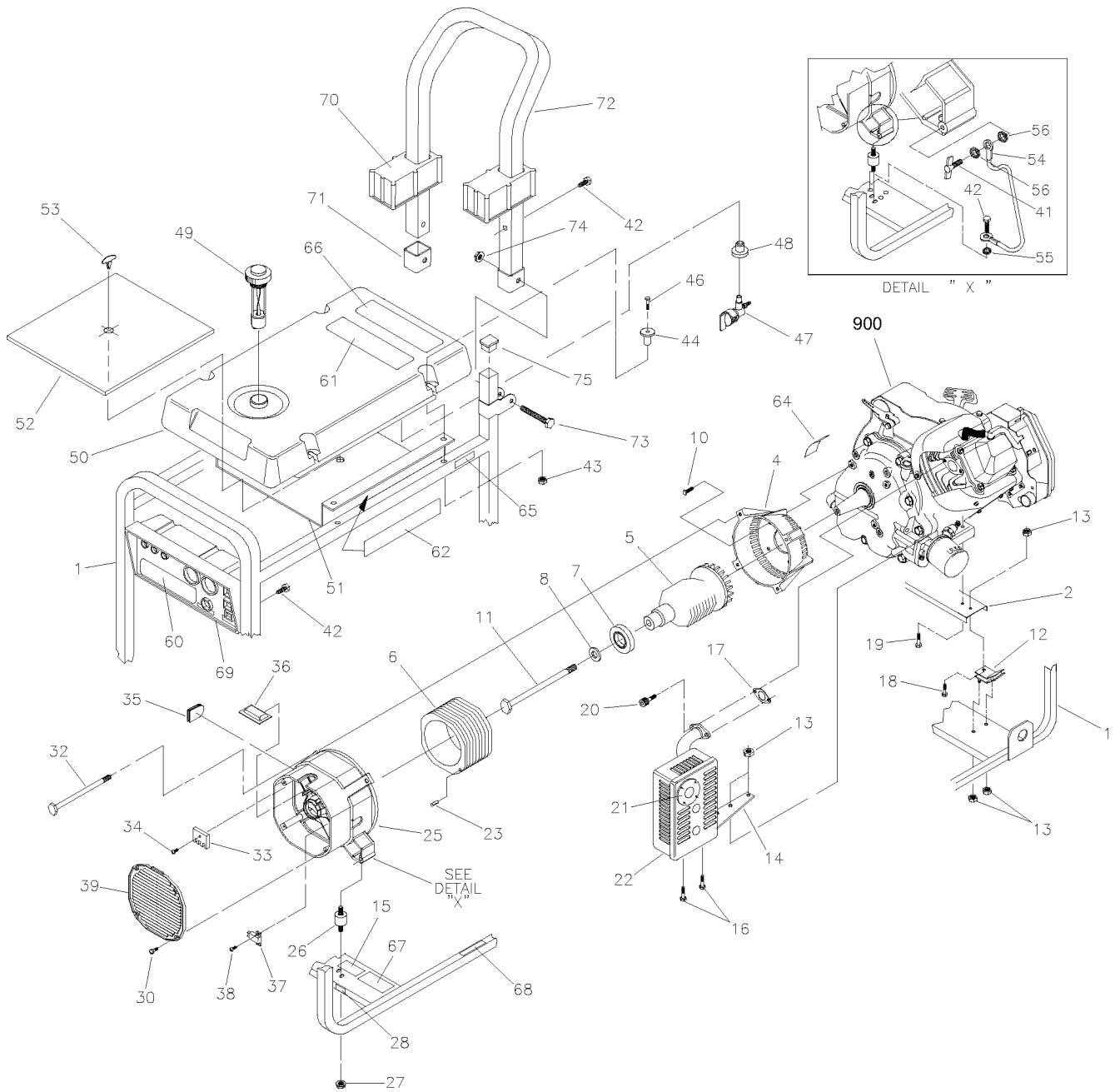
CRAFTSMAN 4200 Watt AC Generator 580.327141



REPLACEMENT PARTS

CRAFTSMAN 4200 Watt AC Generator 580.327141

Main Unit — Exploded View



CRAFTSMAN 4200 Watt AC Generator 580.327141

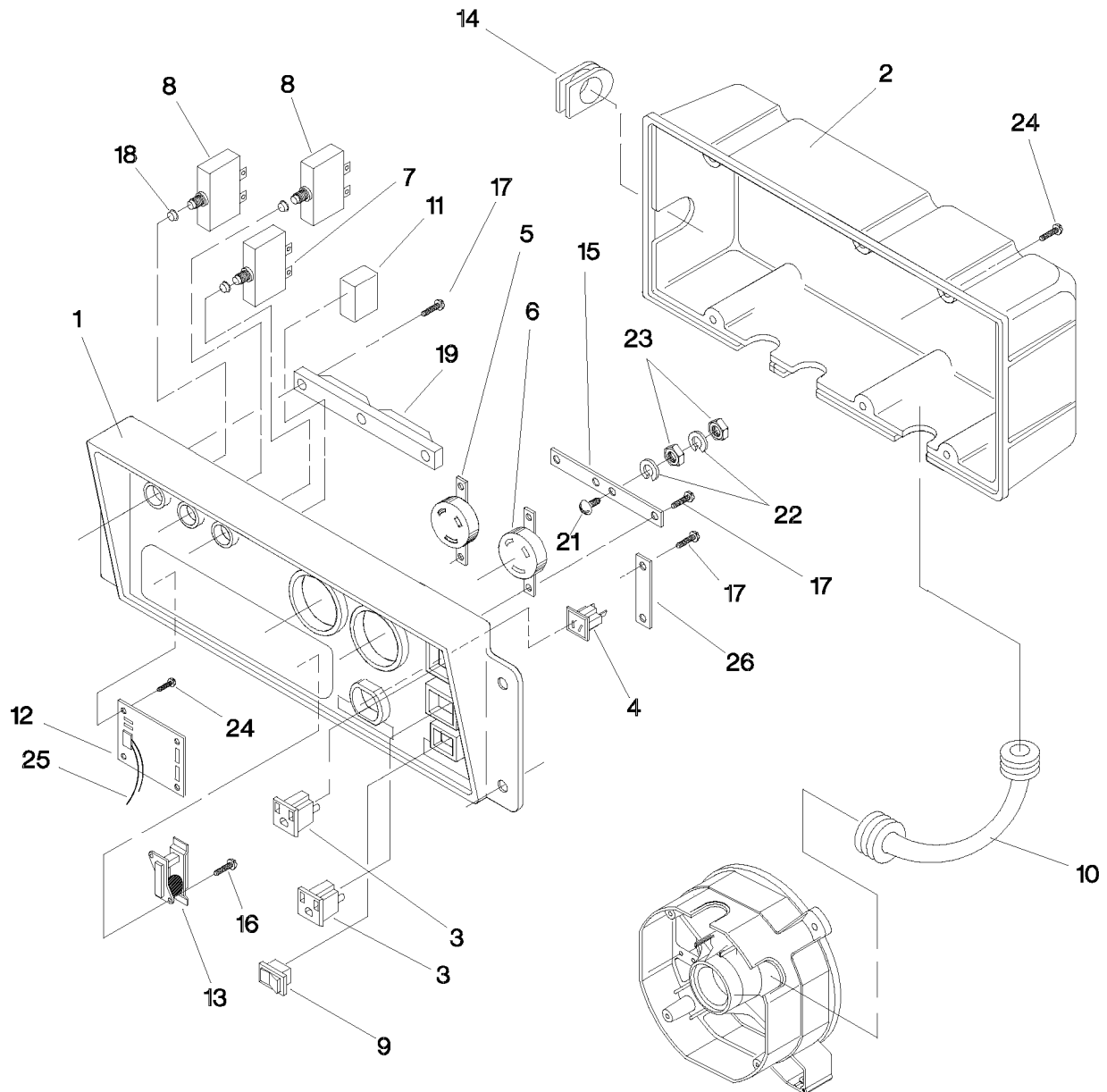
Main Unit — Parts List

Item	Part #	Qty.	Description	Item	Part #	Qty.	Description
1	BB2551	1	CRADLE, 4200 W	47	80270	1	VALVE, Tank
2	B84021	1	SUPPORT, Engine	48	78299	1	BUSHING, Plastic Tank
4	66365	1	HOUSING, Engine Adapter	49	85134	1	CAP, Fuel
5	84141J	1	ROTOR, Assembly	50	83311	1	TANK, Fuel
6	83540A	1	STATOR, Assembly	51	B84042	1	SHIELD, Heat
7	65791	1	BEARING	52	84687	1	INSULATION, #2 1/4" Thick
8	96796	1	WASHER, M8 Flat	53	85000	1	CLIP, Insulation
10	86307	4	HHMS, 5/16 - 24 x 3/4	54	14353621	1	WIRE, Ground
11	47480	1	HHCS, 5/16 - 24 x 7"	55	23762	1	SHAKEPROOF, #10
12	84508	2	MOUNT, Vibration 45°	56	26850	2	SHAKEPROOF, M6
13	52858	8	NUT, M8 Locking	60	B2550	1	DECAL, Control Panel
14	83208	1	BRACKET, Muffler	61	92982	1	DECAL, Danger
15	B4901	1	DECAL, 1-800-4-MyHome	62	B2549	2	DECAL, Heat Shield
16	66476	2	SCREW, M6 - 1.00 x 12	64	NSP	1	DECAL, Data
17	89476	1	GASKET, Exhaust	65	73054	1	DECAL, Fuel Shut Off
18	70644	1	PPHMS, M8 - 1.25 x 20	66	93826	1	DECAL, Start Instructions
19	84346	3	PPHMS, M8 x 35	67	96409	1	DECAL, 1-800 #
20	40976	2	SCREW, M8 - 1.25 x 20	68	77816	1	DECAL, Muffler Warning
21	83083	1	SCREEN, Spark Arrester	69	B1432	1	ASSEMBLY, Control Panel
22	83071	1	MUFFLER	70	B1779	2	COVER, Hinge
23	81917	1	PIN, Roll M4 x 10	71	B2347	2	END CAP, Tube
25	66825B	1	CARRIER, Rear Bearing	72	BB2555	1	HANDLE
26	85652	2	MOUNT, Vibration	73	51767	2	HHCS, M6 - 1.0 x 45
27	67989	2	NUT, M8 Flange Serrated	74	52857	2	NUT, M6 - 1.0 Locking
28	B4986	1	DECAL, Ground	75	46476	2	CAP PLUG, 1" Square
30	74908	4	TAPTITE, M5 - 0.8 x 10	900	NSP	1	ENGINE, 7.8 HP
32	86308	4	BOLT, M6 - 1.0 x 115 Stator				
33	65795	1	RECTIFIER, Battery Charge				
34	66849A	1	TAPTITE, M5 - 0.8 x 20				
35	67022	1	GROMMET, Rubber				
36	84132	1	MODULE, Drive				
37	66386	1	ASSY., Brush Holder				
38	66849	2	TAPTITE, M5 - 0.7 x 16 Long				
39	B4871	1	COVER, Bearing Carrier				
41	86494	1	SCREW, M6 - 1.0 x 16 Wing				
42	86292	7	HHCS, 10 - 16 x Self Drill				
43	77395	4	NUT, M6 Flange Lock				
44	83465	4	GROMMET, Tank				
46	78831B	4	HHMS, M6 - 1.0 x 60 (black)				

Parts Not Illustrated		
B2552	1	Owner's Manual
AB3061	1	28oz Engine Oil
65787	1	Battery Charge Cables
84882	1	Spark Plug Wrench Driver

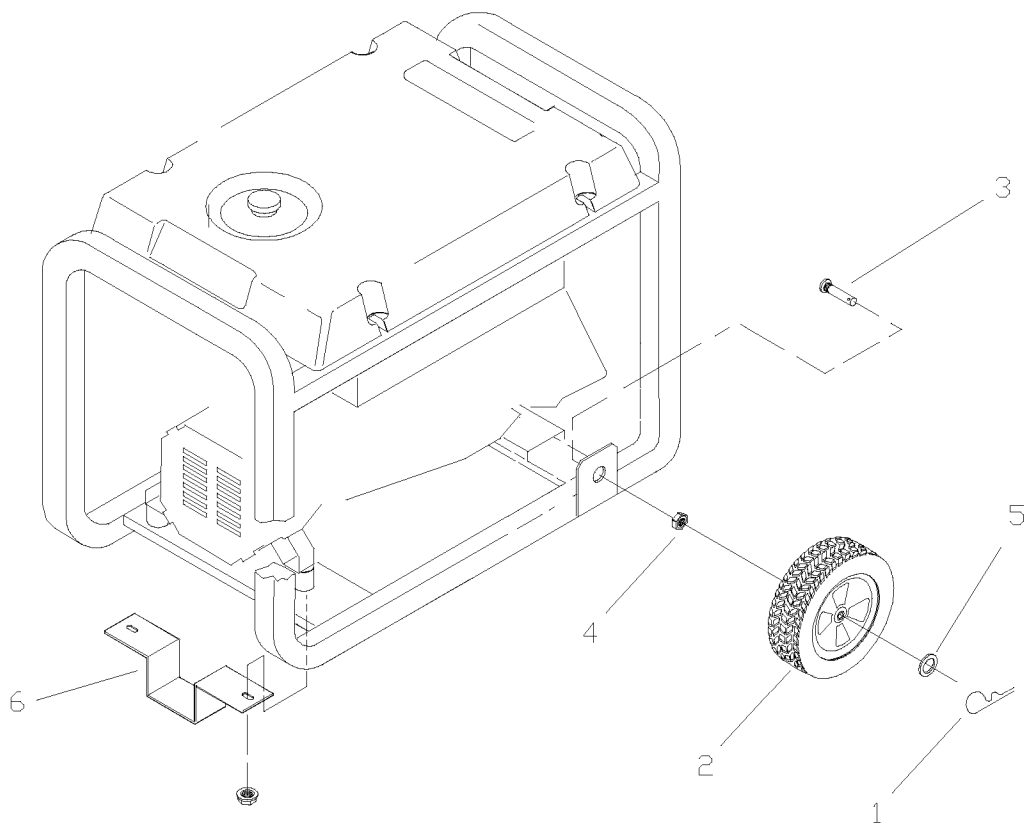
Optional Accessories Not Illustrated		
09-32686		20 Amp Locking Plug
09-32687		30 Amp Locking Plug
09-32688		Cord Wrap Kit

CRAFTSMAN 4200 Watt AC Generator 580.327141
Control Panel — Exploded View and Parts List



Item	Part #	Qty.	Description	Item	Part #	Qty.	Description
1	B1431	1	PANEL, Control	13	84028	1	TRANSFORMER, Idle Control
2	83975	1	BOX, Control	14	67022	1	GROMMET, Rubber
3	66818	2	OUTLET, 120 Volt AC	15	85584	1	BAR, Bus
4	66821	1	OUTLET, 12 Volts DC	16	84543A	2	SCREW, 3.0 x 12mm
5	68867C	1	OUTLET, 120/240 Volt, 20 Amp Locking	17	84543C	9	SCREW, 3.5 x 18mm
6	68868C	1	OUTLET, 120 Volt, 30 Amp Locking	18	84198	3	SHIELD, Circuit Breaker
7	75207A	1	CIRCUIT BREAKER, 30 Amp	19	84197	1	BAR, Circuit Breaker Retaining
8	75207G	2	CIRCUIT BREAKER, 18 Amp	21	75476	2	SCREW, 4.15 x 16mm
9	82538	1	SWITCH, On/Off Rocker	22	22264	4	WASHER, M4 Lock
10	84134	1	GROMMET, Rubber	23	51715	4	NUT, M3 Hex
11	83514	1	CIRCUIT BREAKER, 10 Amp	24	84543B	10	SCREW, 3.5 x 12mm
12	83970	1	CONTROL BOARD, System	25	84335	1	WIRE HARNESS
				26	82542	1	BAR, DC Outlet Retaining

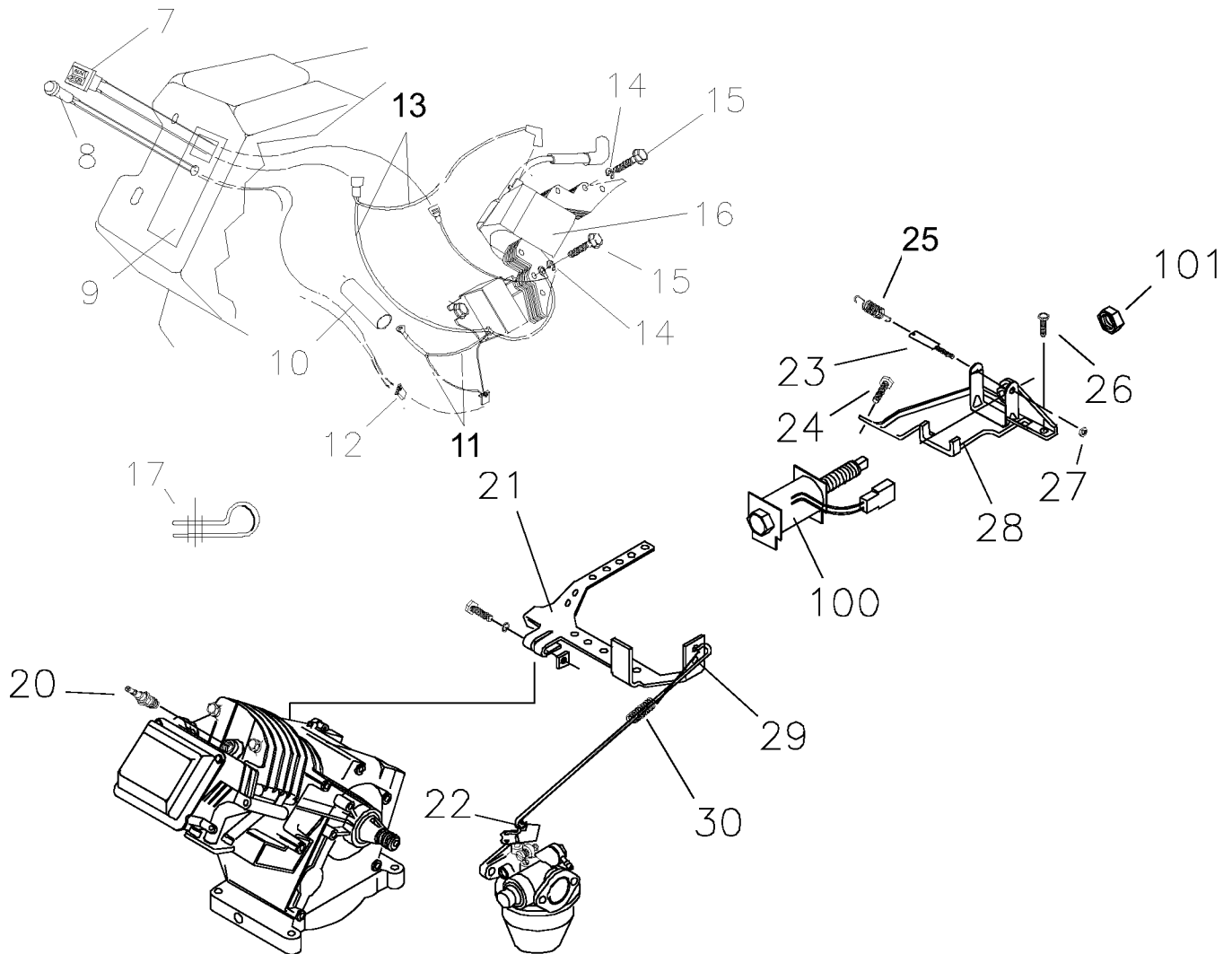
CRAFTSMAN 4200 Watt AC Generator 580.327141
Wheel Kit — Exploded View and Parts List



Item	Part #	Qty.	Description
1	87005A	2	Retaining Pin
2	B1760	2	10" Diameter Wheel
3	93728C	2	Axle Stud
4	94222Q	2	5/8-18 Lock Jam Nut
5	49808	2	Flat Washer
6	B1764	1	Mounting Leg

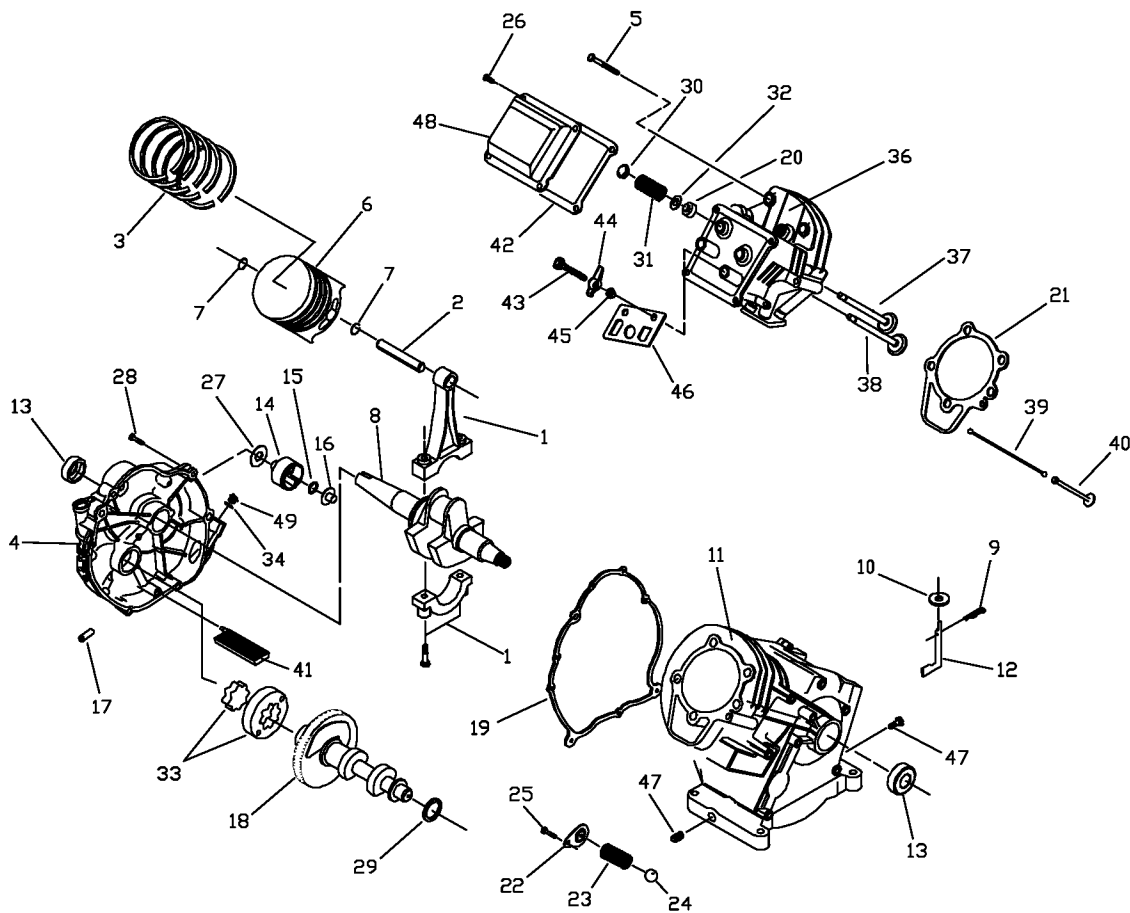
NOTE: Fold-down handle not shown

Engine, 7.8 HP, Generac Power Systems, EHC 00952



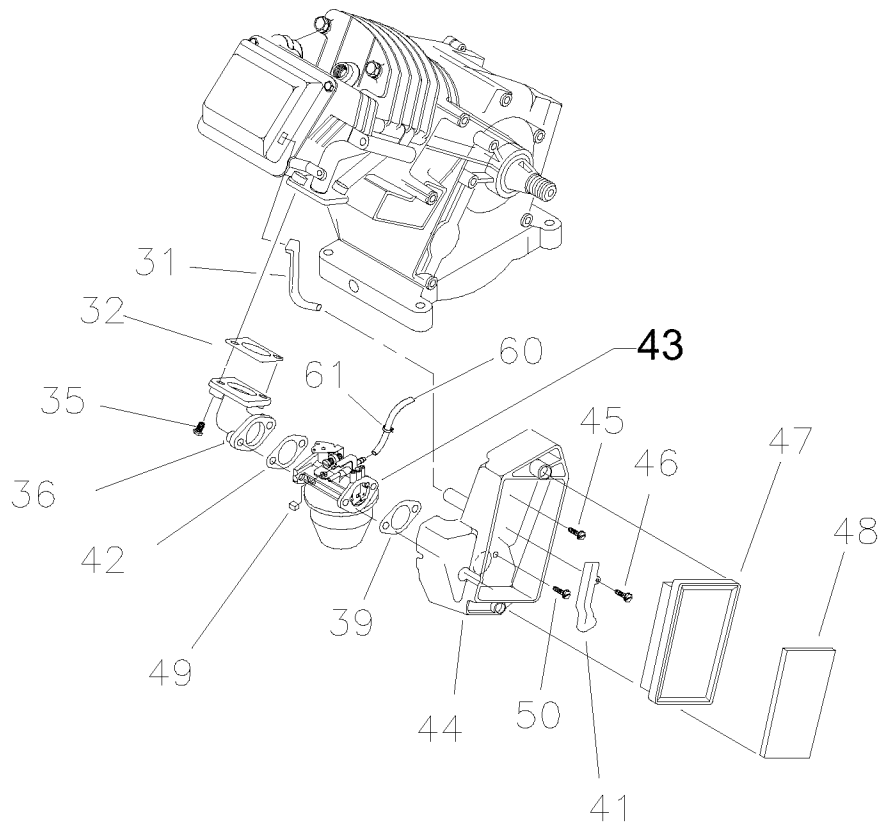
Item	Part #	Qty.	Description	Item	Part #	Qty.	Description
7	78653	1	Run/Stop Switch	21	86962	1	Governor Lever
8	85272	1	L.E.D. Assembly	22	85953	1	Wear Washer
9	84195	1	Low Oil Shutdown Decal	23	83502	1	Adjust Screw
10	85620	1	Black Sleeving	24	83512	1	M8 x 15mm Taptite Screw
11	00285271	1	Black Wire Assembly	25	78604	1	60 Hz. Governor Spring
12	84329	1	3-pin Male Connector Housing	26	66476	1	M6 x 12mm Capscrew
13	00185271	1	White Wire Assembly	27	83503	1	M5 Lock Nut
14	22097	2	M6 Lock Washer	28	83781	1	Governor Bracket
15	82981	2	M6 x 30mm Screw	29	86384	1	Governor Rod
16	81675	1	Ignition Coil	30	86037	1	Anti-lash Spring
17	84274	1	Tinnerman Clamp	100	83782	1	Idle Coil
20	72347	1	Spark Plug	101	66311	1	M8-1.25 Jam Nut

Engine, 7.8 HP, Generac Power Systems, EHC 00952



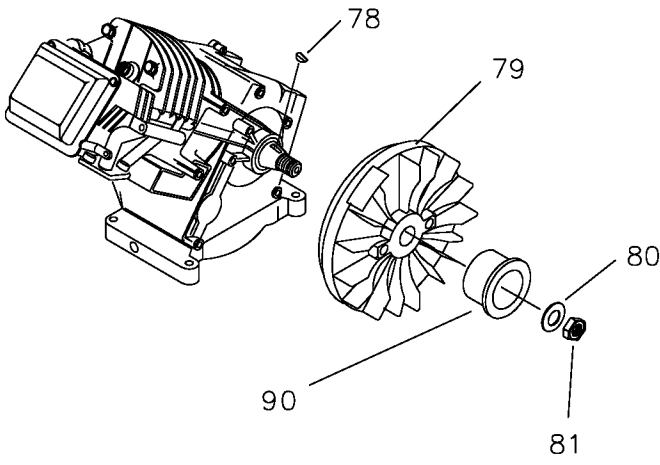
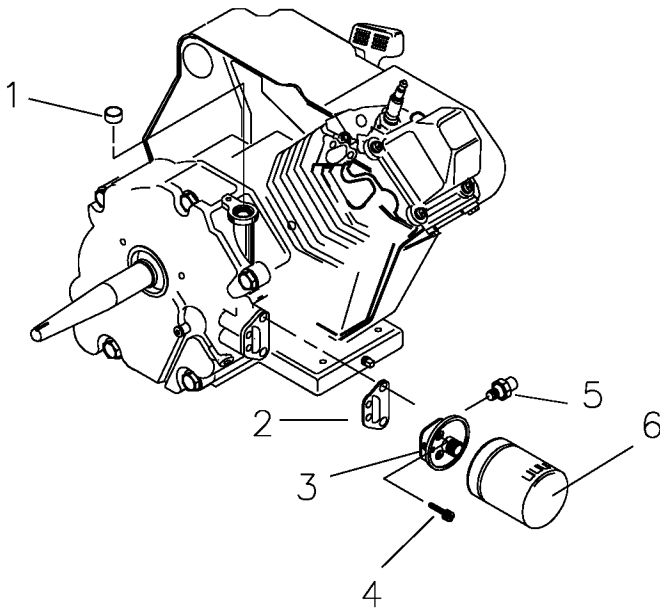
Item	Part #	Qty.	Description	Item	Part #	Qty.	Description
1	78621	1	Connecting Rod Assembly	26	78606	4	M6-1.0 x 12mm Screw
2	76389	1	Piston Pin	27	76361	1	Governor Gear Thrust Washer
3	88411	1	Piston Ring Set	28	89230	6	M8-1.25 x 35mm Screw
4	A8897A	1	Gear Cover Assembly	29	99922	1	Spring Washer
5	77168	5	M8 x 52mm Head Bolt	30	A1720	2	Valve Spring Retainer
6	88057	1	Piston	31	88401	2	Valve Spring
7	76390	2	Pin Retainer Ring	32	84186	2	Valve Spring Wear Washer
8	83337A	1	Tapered Crankshaft Assm.	33	83192	1	Geroter Set
9	78658	1	Governor "R" Pin	34	86254	1	"O" Ring
10	78659	1	Governor Arm Thrust Washer	36	21705B	1	Cylinder Head Assembly
11	89213J	1	Crankcase Assm.	37	90082	1	Exhaust Valve
12	A7637	1	Governor Arm	38	90081	1	Intake Valve
13	81695	2	Oil Seal	39	88396A	2	Push Rod
14	A8929	1	Governor Gear Assembly	40	83235	2	Tappet
15	78645	1	Governor Gear C-Ring	41	80336	1	Oil Pick-up Assembly
16	A7811	1	Governor Spool	42	96362	1	Rocker Cover Gasket
17	72683	1	1/8" NPT Pipe Plug	43	77161	2	Pivot Ball Stud
18	98752	1	Camshaft Assembly	44	77160	2	GN-190/220 Rocker Arm
19	89096	1	Crankcase Gasket	45	76307	2	Rocker Arm Jam Nut
20	88156	1	Valve Stem Seal	46	88403	1	Push Rod Guide Plate
21	A8822	1	Cylinder Head Gasket	47	72657	2	1/4" NPT Pipe Plug
22	78691	1	Oil Pressure Relief Cover	48	88412	1	Rocker Cover Assembly
23	A5772	1	Oil Pressure Spring	49	76329	1	Plastic Oil Fill Plug
24	A5776	1	11/32" Ball	50	21944E	0	Complete Long Block
25	74908	1	M5 Form Screw				

Engine, 7.8 HP, Generac Power Systems, EHC 00952

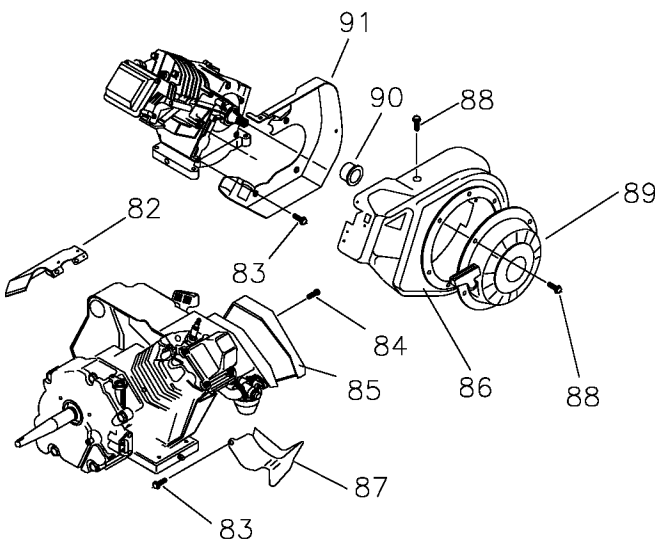


Item	Part #	Qty.	Description
31	90947	1	Breather Hose
32	90051	1	Manifold Head Gasket
35	80316	2	M6 x 30mm Screw
36	90948	1	Intake Manifold
39	91846	1	Carburetor/Air Box Gasket
42	78631	1	Carburetor/Manifold Gasket
43	97747	1	Dellorto Carburetor
44	78607	1	Air Cleaner Base
45	66476	1	M6 x 12mm Capscrew
46	59635	1	#8 x 3/8" Plastite Screw
47	78601	1	Air Filter
48	78602	1	Precleaner
49	83504	1	Choke Knob
50	78643	1	Curb Bolt
60	30340	12"	1/4" ID Hose
61	48031C	2	Hose Clamp

Engine, 7.8 HP, Generac Power Systems, EHC 00952



Item	Part #	Qty	Description
1	94820	1	Expansion Plug
2	91848	1	Oil Filter Gasket
3	84982	1	Oil Filter Adapter
4	92978	2	M6 x 20mm Screw
5	99236	1	Oil Pressure Switch
6	70185	1	Oil Filter
78	82774	1	Woodruff Key
79	77182E	1	Flywheel (220cc)
80	83312	1	Conical Washer
81	81810	1	M16 Hex Nut
82	92984	1	Top Wrapper
83	45756	4	M6 x 10mm Screw
84	78609	2	Cover Bolt
85	78608A	1	Air Box Cover
86	90695A	1	Blower Housing
87	89739	1	Lower Wrapper
88	66476	9	M6 x 12mm Capscrew
89	A2799	1	Recoil Assembly
90	A2842	1	Recoil Cup
91	78651C	1	Backplate



EMISSION CONTROL SYSTEM WARRANTY

Your Warranty Rights and Obligations

The California Air Resources Board ("CARB") and Sears Roebuck and Co., USA, are pleased to explain the Emission Control System Warranty on your model year 2000 and later small off-road engine (engine). In California, new engines must be designed, built and equipped to meet the State's stringent anti-smog standards. Sears must warrant the emission control system on your engine for the periods of time listed below provided there has been no abuse, neglect, or improper maintenance of your engine.

Your emission control system includes parts such as the carburetor and the ignition system.

Where a warrantable condition exists, Sears will repair your engine at no cost to you. Expenses covered under warranty include diagnosis, parts, and labor.

Manufacturer's Warranty Coverage

The model year 2000 and later engines are warranted for two years. If any emission related part on your engine (as listed below) is defective, the part will be repaired or replaced by Sears.

Owner's Warranty Responsibilities

As the engine owner, you are responsible for the performance of the required maintenance listed in this owners manual. Sears recommends that you retain all receipts covering maintenance on your engine, but Sears cannot deny warranty solely due for the lack of receipts or for your failure to ensure the performance of all scheduled maintenance.

As the engine owner, you should be aware that Sears may deny you warranty coverage if your engine or a part of it has failed due to abuse, neglect, improper maintenance, unapproved modifications, or the use of parts not made or approved by the original equipment manufacturer.

You are responsible for presenting your engine to a Sears authorized repair center as soon as a problem exists. Warranty repairs should be completed in a reasonable amount of time, not to exceed 30 days.

If you have any questions regarding your warranty rights and responsibilities, you should contact your nearest authorized service center or call Sears at 1-800-473-7247.

Warranty Commencement Date

The warranty period begins on the date the engine is delivered.

Length of Coverage

Sears warrants to the initial owner and each subsequent purchaser that the engine is free from defects in materials and workmanship which cause the failure of a warranted part for a period of two years.

WHAT IS COVERED

Repair or Replacement of Parts

- Repair or replacement of any warranted part will be performed at no charge to the owner at an approved Sears service center.
- If you have any questions regarding your warranty rights and responsibilities, you should contact your nearest authorized service center or call Sears at **1-800-473-7247**.

Warranty Period

Any warranted part which is not scheduled for replacement as required maintenance, or which is scheduled only for regular inspection to the effect of "repair or replace as necessary" shall be warranted for 2 years. Any warranted part which is scheduled for replacement as required maintenance shall be warranted for the period of time up to the first scheduled replacement point for that part.

Diagnosis

The owner shall not be charged for diagnostic labor which leads to the determination that the warranted part is defective if the diagnostic work is performed at an approved Sears service center.

Consequential Damages

Sears may be liable for damages to other engine components caused by the failure of a warranted part still under warranty.

WHAT IS NOT COVERED

All failures caused by abuse, neglect, or improper maintenance are not covered.

Add-on or Modified Parts

The use of add-on or modified parts can be grounds for disallowing a warranty claim. Sears is not liable to cover failures of warranted parts caused by the use of add-on or modified parts.

How to File a Claim

If you have any questions regarding your warranty rights and responsibilities, you should contact your nearest authorized service center or call Sears at 1-800-473-7247.

Where to Get Warranty Service

Warranty services or repairs shall be provided at all Sears authorized service centers.

Maintenance, Replacement and Repair of Emission Related Parts

Any Sears approved replacement part used in the performance of any warranty maintenance or repair on emission related parts will be provided without charge to the owner if the part is under warranty.

Emission Control Warranty Parts List

1. Fuel Metering System:
 - a. Carburetor assembly
 - b. Fuel filter
2. Air Induction System:
 - a. Intake manifold
 - b. Air cleaner
3. Catalytic Muffler Assembly (if so equipped), including:
 - a. Muffler gasket
 - b. Exhaust manifold
4. Ignition System
 - a. Spark plug
 - b. Ignition module
5. Crankcase Breather Tube

TABLA DE CONTENIDOS

Garantía	30	Mantenimiento	39-42
Reglas De Seguridad	31	Almacenamiento	43
Montaje	32	Reparacion de Averias	44
Operacion	33-38	Garantía de Control de Emisiones	47
Especificaciones del Producto	39	Cómo Ordenar PartesUltima Página

GARANTIA

GARANTIA LIMITADA PARA GENERADORES PORTATILES DE LUJO

SEARS le garantiza al comprador original que el alternador y el motor de su generador portátil estará libre de defectos en materiales y mano de obra en los componentes y por el período de tiempo establecido a continuación a partir de la fecha de compra original. Esta garantía no es transferible y se aplica únicamente a los generadores portátiles accionados por el motor garantizado Sears Serie GN.

	CLIENTE*	COMERCIAL*
Alternador	2 años (El 2o. año únicamente las partes)	1 Año
Motor	2 años (El 2o. año únicamente las partes)	1 Año

* **NOTA:** Para propósitos de esta garantía el término "Uso del Cliente" representa el uso doméstico residencial y de emergencia por parte del comprador original, sin incluir aplicaciones donde la unidad sea usada como fuente de potencia principal. El término "Uso Comercial" representa todos los otros usos, incluyendo alquiler, construcción, comercial y para propósitos lucrativos. Una vez el generador haya tenido uso comercial, este será considerado como un generador para uso comercial para los fines de esta garantía.

Durante dicho período de garantía, SEARS reparará o reemplazará, a su discreción, cualquier parte que haya sido encontrada defectuosa, en examen previo realizado por SEARS, bajo uso y servicio normal**. Las baterías de arranque no están garantizadas por SEARS. Todos los costos de transporte bajo garantía, incluyendo el envío a la fábrica, de ser necesario, serán responsabilidad del comprador y deberán ser pagados por anticipado. Esta garantía no cubre el mantenimiento y servicio normal y no se aplica a generadores, alternadores, motores o partes que hayan sido sujetos a instalaciones o modificaciones incorrectas o no autorizadas, mal uso, negligencia, accidente, sobrecarga, exceso de velocidad, mantenimiento, reparación o almacenamiento incorrecto que, a juicio de SEARS, afecte negativamente su funcionamiento y confiabilidad.

** **DESGASTE NORMAL:** Como con todos los dispositivos mecánicos, los motores necesitan el servicio y reemplazo periódico de las partes para funcionar en buenas condiciones. Esta garantía no cubre reparaciones cuando el uso normal haya sobrepasado la vida útil de una parte o motor.

NO EXISTEN OTRAS GARANTIAS EXPRESAS. SEARS POR MEDIO DE LA PRESENTE DESCONOCE TODAS LAS GARANTIAS IMPLICITAS, INCLUYENDO, SIN LIMITARSE, A AQUELLAS DE COMERCIALIZACION Y ADAPTACION PARA UN PROPOSITO PARTICULAR AL EXTREMO PERMITIDO POR LA LEY. LA DURACION DE CUALQUIER GARANTIA IMPLICITA QUE NO PUEDA SER DESCONOCIDA, ESTA LIMITADA AL PERIODO DE TIEMPO ESPECIFICADO EN LA GARANTIA EXPRESA. LA RESPONSABILIDAD LEGAL ES EXCLUIDA POR DAÑOS CONSECUCIONALES, INCIDENTALES O ESPECIALES BAJO CUALQUIERA DE LAS GARANTIAS. Algunas provincias no permiten limitaciones en la duración de las garantías implícitas, o la exclusión o limitación de daños incidentales o consecuenciales, por tanto las limitaciones o exclusiones anteriormente mencionadas podrían no aplicarse a usted. Esta garantía le otorga derechos legales específicos; usted podría tener otros derechos, los cuales cambian de estado a estado.

Para servicio, visite su centro de servicio de garantía autorizado SEARS más cercano. El servicio de garantía puede ser llevado a cabo únicamente por un centro de servicio autorizado SEARS. Esta garantía no se podrá aplicar para servicio en otros centros de servicio. Evidencia de la fecha de compra original deberá ser presentada en el momento de solicitar el servicio de garantía.

SEARS, ROEBUCK and CO., D/817WA, Hoffman Estates, IL 60179 U.S.A.

REGLAS DE SEGURIDAD



¡PRECAUCION! Lea este manual y siga todas las Reglas de Seguridad e Instrucciones de Operación antes de usar este producto.



ADVERTENCIA:



El escape del motor de este producto contiene elementos químicos reconocidos en el Estado de California por producir cáncer, defectos de nacimiento u otros daños de tipo reproductivo.



¡PELIGRO! Este generador está diseñado para uso en exteriores únicamente. No use este generador en el interior de edificaciones o recintos cerrados, incluyendo el compartimiento para generador de un vehículo recreacional (VR). Podrían ocurrir incendios o explosiones. Las modificaciones realizadas por el usuario, incluyendo ventilación del escape y/o ventilación de enfriamiento, no eliminarán el peligro. También, permita que exista al menos dos pies de distancia alrededor del generador, incluso cuando esté operando la unidad en exteriores.



¡PRECAUCION! Siempre desconecte el alambre de la bujía y colóquelo donde no pueda entrar en contacto con la bujía, para evitar el arranque accidental durante la instalación, transporte, ajuste o reparación de su Generador.

- El generador produce un voltaje bastante alto, el cual puede ocasionar descargas eléctricas extremadamente peligrosas. Evite el contacto con terminales, alambres pelados o sin recubrimiento, etc. Nunca permita que personas no calificadas operen o proporcionen servicio al generador.
- Nunca manipule dispositivos o cordones eléctricos cuando se encuentre parado en agua, descalzo o con los pies o las manos mojadas. Ocurrirán descargas eléctricas peligrosas.
- El Código Eléctrico Nacional exige que el bastidor y las partes externas conductoras de electricidad del generador estén conectadas adecuadamente a una conexión a tierra física. Los códigos eléctricos locales también pueden exigir la conexión a tierra adecuada del generador. Consulte a un electricista local para los requisitos de conexión a tierra en su área.
- Use un interruptor de circuito de falla a tierra en áreas húmedas o de alta conductividad (como en pisos metálicos o estructuras de acero).
- No utilice en el generador juegos de cordones eléctricos que estén desgastados, pelados, raídos o dañados de cualquier manera. El uso de juegos de cordones defectuosos puede resultar en descargas eléctricas o daño al equipo y/o a la propiedad.

- Opere el generador únicamente en superficies niveladas y donde no se vaya a exponer a humedad excesiva, suciedad, polvo o vapores corrosivos.
- La gasolina es altamente INFLAMABLE y sus vapores son EXPLOSIVOS. No permita que fumen, que existan llamas abiertas, chispas o calor a su alrededor cuando manipule gasolina. Evite regar gasolina sobre un motor caliente. Cumpla con todas las leyes que regulan el almacenamiento y el manejo de gasolina.
- Nunca agregue combustible cuando la unidad esté en funcionamiento.
- No llene el tanque de combustible excesivamente. Siempre permita que exista espacio para la expansión del combustible. Si el tanque está demasiado lleno, el combustible podría rebosarse y caer sobre el motor caliente y ocasionar un INCENDIO o una EXPLOSION.
- Nunca almacene el generador con combustible en el tanque, donde los vapores de la gasolina puedan entrar en contacto con llamas abiertas, chispas o luces de piloto (como en hornos, calentadores de agua o secadoras de ropa). Podrían ocurrir INCENDIOS o EXPLOSIONES.
- Los gases de escape del generador contienen gas de monóxido de carbono MORTAL. Si este gas peligroso se inhala en concentraciones suficientes, puede ocurrir pérdida de la consciencia e incluso la muerte. Únicamente opere este equipo al aire libre donde exista ventilación adecuada.
- Deje por lo menos 2 pies de distancia alrededor del generador, incluso cuando la unidad esté funcionando en exteriores, de otra forma podría dañar la unidad. Nunca opere esta unidad dentro de un salón o recinto cerrado donde el flujo libre de aire de enfriamiento, hacia el interior y la parte externa de la unidad, pueda ser obstruido.
- Nunca arranque o detenga el motor-generador cuando tenga cargas eléctricas conectadas a los tomacorrientes y los dispositivos conectados estén ENCENDIDOS. Arranque el motor y permita que se estabilice antes de conectar las cargas eléctricas. Desconecte todas las cargas eléctricas antes de apagar el generador.
- No introduzca objetos a través de las ranuras de enfriamiento del motor-generador. Usted podría dañar la unidad o lesionarse a sí mismo.
- Nunca opere el generador (a) en la lluvia; (b) en espacios encerrados; (c) si se recalientan los dispositivos eléctricos conectados; (d) si se pierde la salida eléctrica; (e) si se presentan chispas en el motor o generador; (f) si se observan llamas o humo cuando la unidad está funcionando; (g) si la unidad vibra demasiado.

NOTA: Su generador está equipado con un silenciador apagachispas, el apagachispas deberá ser mantenido en buenas condiciones de funcionamiento por parte del propietario/operador. En el estado de California es obligatorio, según ley, el uso de apagachispas (Sección 4442 del Código de Recursos Públicos de California). Otros estados pueden tener leyes similares. Las leyes federales se aplican en tierras federales.



BUSQUE ESTE SIMBOLO PARA SEÑALAR PRECAUCIONES DE SEGURIDAD IMPORTANTES. ESTO SIGNIFICA “¡ATENCIÓN!!! ¡ESTE ALERTA!!! SU SEGURIDAD ESTA EN PELIGRO.”

MONTAJE

Su generador AC requiere de ciertos procedimientos de armado y está listo para ser usado después de haberle suministrado servicio adecuado con el aceite y combustible recomendado.

Si tiene problemas con el montaje de su generador, por favor llame a la línea de ayuda del generador al 1-800-222-3136.

IMPORTANTE: Cualquier intento de hacer funcionar el motor antes de haberle suministrado servicio con el aceite recomendado resultará en falla del motor.

PARA RETIRAR EL GENERADOR DE LA CAJA

- Coloque la caja sobre una superficie plana y rígida con las flechas "THIS SIDE UP" (ESTE LADO ARRIBA) apuntando hacia arriba.
- Abra cuidadosamente las tapas superiores de la caja de envío.
- Corte las esquinas en un extremo de la caja de arriba hacia abajo y coloque ese lado de la caja hacia abajo.
- Retire todo el material de protección, el material de relleno, etc.
- Retire el generador de la caja de envío.

CONTENIDO DE LA CAJA

Revise todo el contenido. Si alguna parte falta o está dañada, llame a la línea de ayuda del generador al 1-800-222-3136.

- La unidad principal
- Los cables de carga de la batería
- La llave de la bujía/destornillador
- El manual del operador
- El aceite del motor
- Juego de Ruedas

MONTAJE DEL JUEGO DE RUEDAS

El juego de ruedas está diseñado para mejorar la portabilidad del generador.

Para instalar el juego de ruedas usted necesitará las siguientes herramientas:

- Llave de extremo abierto o de caja de 15/16" (o llave de cubos).
- (2) Caja métrica, regular de 13mm o llaves de extremo abierto.

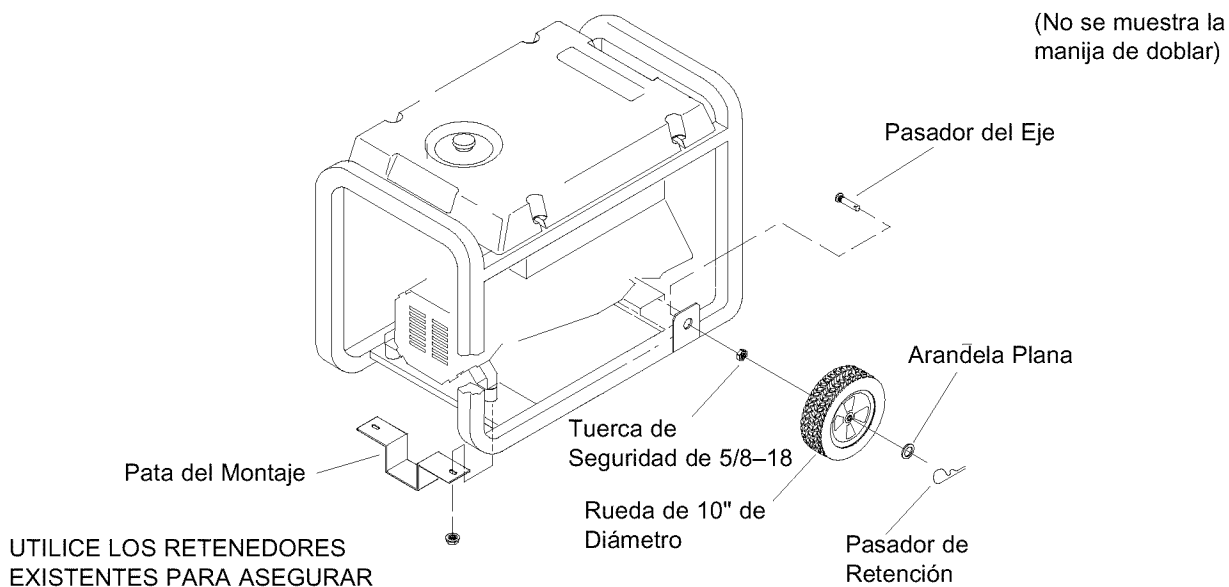
Instalación del juego de ruedas como se describe a continuación (refiérase a la ilustración de abajo):

- Coloque la parte inferior del soporte del generador sobre una superficie plana y uniforme.
- Pase el pasador del eje a través del retenedor de la rueda en el soporte del bastidor.
- Use una llave de 15/16 pulgadas para asegurar el pasador del eje al bastidor con una contratuerca de 5/8-18.
- Instale el otro pasador de eje de la misma manera.

NOTA: Asegúrese de instalar la rueda con el cubo levantado hacia adentro.

- Coloque la arandela plana sobre el pasador del eje, incline la unidad e instale la rueda.
- Retenga la rueda en el pasador del eje utilizando el pasador de retención. Instale la otra rueda en el pasador del eje restante de la misma manera.
- Retire las dos arandelas de fijación y tornillos delanteros de la montura antivibratoria con una llave de 13mm. Use estas tuercas para retener la pata del soporte.

JUEGO DE RUEDAS

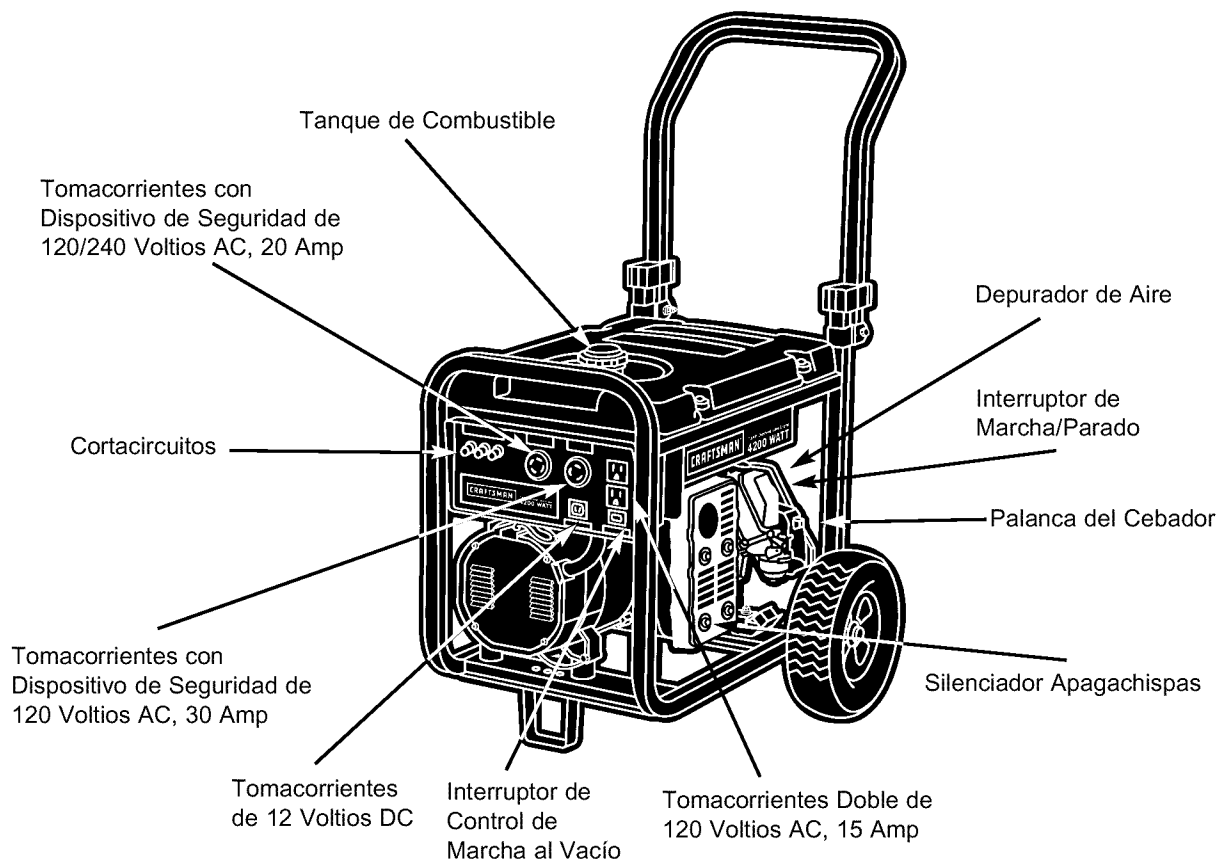


OPERACION

CONOZCA SU GENERADOR

Lea este manual del propietario y las reglas de seguridad antes de operar su generador.

Compare las ilustraciones con su generador para familiarizarse con la ubicación de los diferentes controles y ajustes.



Cortacircuitos (AC) – Cada tomacorriente posee un cortacircuito para proteger el generador contra sobrecargas eléctricas. Los cortacircuitos son del tipo “oprimir para reposicionar”.

Depurador de Aire – Filtra el aire de entrada a medida que penetra en el motor.

Interruptor de Marcha/Parado – Deberá estar en la posición “Run” (Marcha) para darle arranque al motor. Colóquelo en la posición “Stop” (Parado) para detener un motor en funcionamiento.

Interruptor del Control de Marcha en Vacío – El control de marcha en vacío hace funcionar el motor a velocidades normales (altas) cuando existe una carga presente y hace funcionar el motor a velocidades de marcha en vacío (bajas) cuando no existen cargas presentes. Esta característica mejora el ahorro de combustible, prolonga la vida del motor y disminuye el ruido del motor.

Palanca del Cebador – Usada cuando se está dando arranque a un motor frío.

Silenciador Apagachispas – El silenciador disminuye el ruido del motor y está equipado con una pantalla apagachispas.

Tanque del Combustible – El tanque tiene una capacidad de 4 galones americanos de gasolina sin contenido de plomo.

Tomacorrientes Doble de 120 Voltios, 15 Amp – Pueden ser utilizados para suministrar alimentación eléctrica para el funcionamiento de cargas del motor, herramientas, aparatos especiales e iluminación eléctrica de 120 Voltios AC a 15 Amperios, monofásica de 60 Hz.

Tomacorrientes con Dispositivo de Seguridad de 120 Voltios, 30 Amp – Puede ser utilizado para suministrar alimentación eléctrica para el funcionamiento de cargas del motor, herramientas, aparatos especiales e iluminación eléctrica de 120 Voltios AC a 30 Amperios, monofásica de 60 Hz.

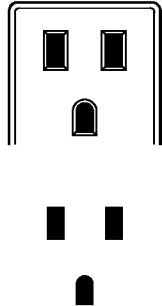
Tomacorrientes con Dispositivo de Seguridad de 120/240 Voltios, 20 Amp – Puede ser utilizado para suministrar alimentación eléctrica para el funcionamiento de cargas del motor, herramientas, aparatos especiales e iluminación eléctrica de 120 y/o 240 Voltios AC a 20 Amperios, monofásica de 60 Hz.

Tomacorrientes de 12 Voltios DC – Este tomacorriente le permite recargar baterías tipo servicio o automotriz de 12 Voltios o batería de almacenamiento tipo servicio utilizando los cables para cargar baterías.

JUEGOS DE CORDONES Y ENCHUFES CONECTORES

Tomacorrientes Doble de 120 Voltios

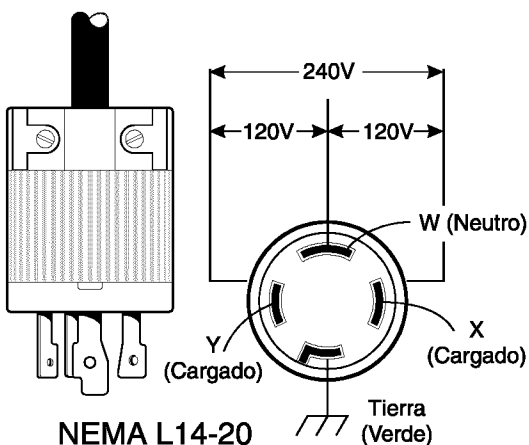
Use únicamente cordones de extensión de alta calidad y bien aislados con los tomacorrientes eléctricos dobles de 120 Voltios del generador.



Cada tomacorriente está protegido contra sobrecargas por medio de un cortacircuito con dispositivo de reposición. Utilice cada uno de estos tomacorrientes para operar cargas eléctricas AC de 120 Voltios, monofásicas de 60 Hz que requieran hasta 1,800 vatios (1.8 kW) a 15 Amperios de corriente.

¡PRECAUCION! A pesar de que cada tomacorriente tiene una capacidad de 120 Voltios a 15 Amperios (1,800 vatios o 1.8 kW), el generador tiene una capacidad total de 4,200 vatios. Las cargas de potencia que excedan la capacidad de vatiaje del generador pueden causar daños o lesiones severas. El total de las cargas con 120 Voltios que pasan a través de estos tomacorrientes no deberá exceder los 15 Amperios.

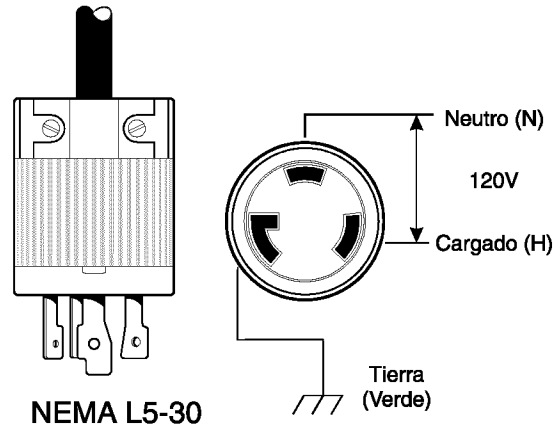
Revise las capacidades de todos los cordones de extensión antes de usarlos. Los juegos de cordones de extensión utilizados deberán tener una capacidad de 125 Voltios AC a 15 Amperios o mayor para la mayoría de los dispositivos eléctricos. Sin embargo, algunos dispositivos podrían no requerir este tipo de cordón de extensión. Revise el manual del propietario de esos dispositivos para ver las recomendaciones del fabricante.



Mantenga los cordones de extensión lo más corto posible, preferiblemente menos de 15 pies de largo para evitar la caída de voltaje y posible recalentamiento de los alambres.

Tomacorrientes de 120/240 Voltios, 20 Amperios

Este es un tomacorriente de capacidad total, lo que significa que usted puede tomar el vatiaje nominal total de este solo tomacorriente. Este es un tomacorriente tipo NEMA L14-20. La toma está protegida por un cortacircuito de 20 Amperios con dispositivo de reposición.



Usted deberá usar un enchufe para conector tipo bloqueo NEMA L14-20 con el tomacorriente de 240 Voltios. Conecte un juego de cordones de 4 alambres al enchufe y a las cargas eléctricas deseadas. Los juegos de cordones deberán tener una capacidad de 250 Voltios a 32 Amperios AC.

¡PRECAUCION! Aunque el enchufe de 120/240V está capacitado para 240 Voltios AC a 20 Amperios, el generador es capaz de producir únicamente 17.5 Amperios a 240 Voltios AC.

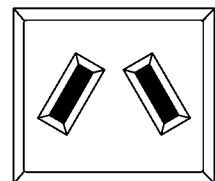
Tomacorrientes de 120 Voltios AC, 30 Amperios

Use un enchufe tipo NEMA L5-30 con este tomacorriente. Conecte un juego de cordones de 3 alambres con una capacidad de 125 Voltios AC a 30 Amperios al enchufe. Utilice este tomacorriente para operar cargas eléctricas de 120 Voltios AC, monofásicas de 60 Hz que requieran hasta 3,600 vatios (3.6 kW) a 30 Amperios de corriente. La toma está protegida por un cortacircuito de 30 Amperios con dispositivo de reposición.

Tomacorrientes de 12 Voltios DC

Este tomacorriente le permite recargar una batería de almacenamiento tipo servicio o automotriz de 12 Voltios utilizando los cables suministrados para cargar baterías.

Este tomacorriente no puede recargar baterías de 6 Voltios y no se puede usar para darle arranque a motores que tengan la batería descargada. Vea las secciones "Seguridad de la Batería" y "Procedimiento de Carga de la Batería" (página 37) antes de intentar recargar la batería.

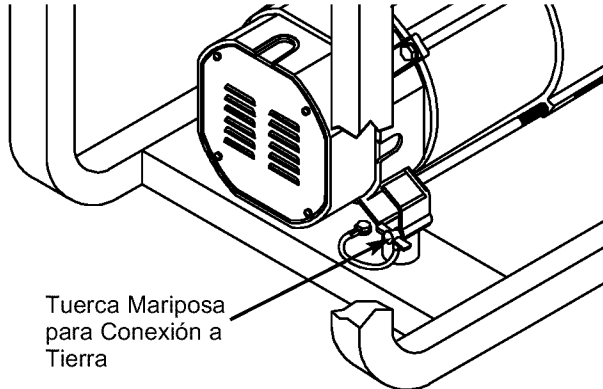


COMO USAR SU GENERADOR

Si usted tiene problemas operando su generador, por favor llame a la línea de ayuda para Generadores al 1-800-222-3136.

Conexion a Tierra del Generador

El Código Eléctrico Nacional exige que el bastidor y las partes externas conductoras de electricidad del generador se encuentren conectadas adecuadamente a una tierra física aprobada. Los códigos eléctricos locales también podrían exigir la conexión a tierra de la unidad. Para tal propósito, se ha suministrado una tuerca mariposa para conexión a tierra en la base del armazón.



Por lo general, la conexión de un alambre de cobre trenzado No. 12 AWG (American Wire Gauge) a la aleta y a una barra de conexión a tierra de cobre o bronce (electrodo) proporciona una protección adecuada contra las descargas eléctricas. Sin embargo, los códigos locales pueden variar substancialmente. Consulte con un electricista local para conocer los requisitos de conexión a tierra de su área.

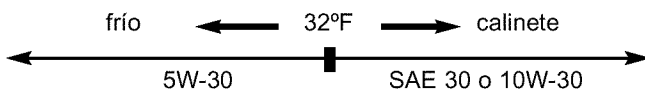
La conexión a tierra adecuada del generador ayudará a evitar las descargas eléctricas en el caso de que exista una condición de falla a tierra en el generador o en los dispositivos eléctricos conectados. La conexión a tierra adecuada también ayuda a disipar la electricidad estática, la cual se acumula frecuentemente en dispositivos no conectados a tierra.

ANTES DE DARLE ARRANQUE AL GENERADOR

Para operar el motor, deberá llevar a cabo lo siguiente:

Añada Aceite al Motor

NOTA: Cuando añada aceite a la caja del cigüeñal del motor, únicamente use aceite detergente de alta calidad con la clasificación de servicio SF o SG de API, con un peso de 30 SAE o mayor. No use aditivos especiales. Seleccione el grado de viscosidad del aceite de acuerdo con la temperatura de funcionamiento que espera tener.



A pesar de que los aceites de múltiple viscosidad (5W30, 10W30, etc.) mejoran el arranque en clima frío, estos pueden producir un aumento en el consumo de aceite cuando son usados por encima de 32°F. Revise el nivel de aceite de su motor frecuentemente para evitar el posible daño del motor debido al funcionamiento del mismo con un bajo nivel de aceite.

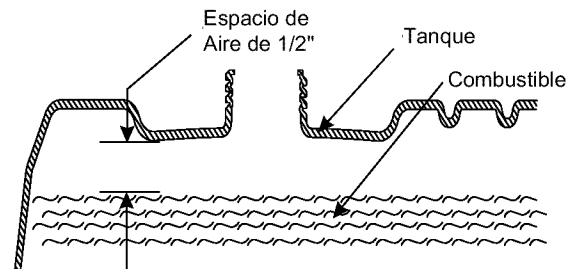
- Coloque el generador sobre una superficie nivelada y retire la tapa amarilla del llenado del aceite y agregue aceite hasta que el nivel esté en el punto de rebosamiento. En adelante, revise el nivel del aceite antes de darle arranque al motor.
- Coloque el tapón de llenado del aceite y asegúrelo con la mano.

Agregue Gasolina

¡ADVERTENCIA! NUNCA llene el tanque del combustible en recintos cerrados. NUNCA llene el tanque del combustible cuando el motor esté en funcionamiento o caliente. NO encienda cigarrillos o fume cuando esté llenando el tanque del combustible.

¡PRECAUCION! No llene excesivamente el tanque de combustible. Deje suficiente espacio para la expansión del combustible.

- Use gasolina regular SIN CONTENIDO DE PLOMO en el generador. No use gasolina premium. NO mezcle aceite con gasolina.
- Limpie el área alrededor del llenado de gasolina; retire la tapa.
- Llène lentamente el tanque con gasolina sin contenido de plomo. Sea cuidadoso de no llenar excesivamente. Deje 1/2" de espacio en el tanque para que la expansión del combustible, como se muestra en esta ilustración.



- Instale la tapa del combustible y limpie cualquier derrame de gasolina.

IMPORTANTE: Es importante evitar la formación de depósitos de goma en las partes esenciales del sistema de combustible como en el carburador, filtro del combustible, manguera del combustible o tanque, durante su almacenamiento. Los combustibles mezclados con alcohol (llamados gasohol, etanol o metanol) pueden atraer la humedad, la cual produce la separación y formación de ácidos durante el almacenamiento. La gasolina ácida puede dañar el sistema de combustible de un motor durante su almacenamiento.

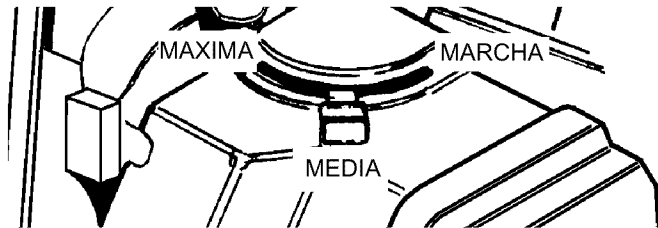
Para evitar problemas en el motor, deberá vaciar el sistema de combustible antes de períodos de almacenamiento de 30 días o más. Vea "Almacenamiento" en la página 43. Nunca use productos para limpiar motores o carburadores en el tanque del combustible; si lo hace ocurrirán daños permanentes.

PARA DARLE ARRANQUE AL MOTOR



¡ADVERTENCIA! Nunca arranque o detenga el motor con los dispositivos eléctricos conectados en los tomacorrientes del panel y encendidos.

- Desconecte todas las cargas eléctricas de los tomacorrientes del generador antes de darle arranque al motor.
- Asegúrese de que la unidad esté en una posición nivelada.
- Abra la válvula de cierre del combustible.
- Ubique el interruptor de encendido/apagado de control de marcha al vacío en el panel de control y colóquelo en la posición "Off" (Apagado).
- Coloque el interruptor de Marcha/Parado en la posición "Run" (Marcha).
- Mueva la palanca del cebador del motor a la "POSICION DE MAXIMA ESTRANGULACION".



¡PRECAUCION! Nunca ponga en marcha el motor en recintos cerrados o en áreas con poca ventilación. El escape del motor contiene monóxido de carbono, un gas letal inodoro.



¡ADVERTENCIA! La temperatura del silenciador y las áreas alrededor puede exceder los 150°F (65°C). Evite estas áreas.

- Agarre la manija del arrancador y halela lentamente hasta que sienta cierta resistencia. Después, hale la cuerda con un movimiento rápido del brazo. Deje que la sog a se devuelva lentamente. No permita que la sog a "rebote violentamente" contra el arrancador.
- Cuando el motor arranque, mueva la palanca del cebador a la posición "Run" ("Marcha"). Permita que el motor se caliente durante dos minutos antes de aplicar la carga al generador.
- Si el motor intenta apagarse, mueva la palanca del cebador a la posición "Media" y empuje la manija del arranque dos veces.

NOTA: Si el motor no arranca después de tres (3) intentos, mueva la palanca del cebador a la posición "Máxima" y vuelva a halar la sog a del arrancador.

- Coloque el interruptor on/off de control de marcha al vacío en el panel de control e instálelo en la posición "On" ("ENCENDIDO").

Conexión de Cargas Eléctricas

- No conecte cargas de 240 Voltios a los tomacorrientes dobles de 120 Voltios.
- No conecte cargas trifásicas a los tomacorrientes.
- No conecte cargas de 50 Hertzios a los tomacorrientes.
- Enchufe y encienda las cargas eléctricas de 120 y/o 240 Voltios AC, monofásicas de 60 Hertzios. **NO SOBRECARGUE EL GENERADOR.** Sume los vatios asignados (o Amperios) de todas las cargas que se van a conectar al mismo tiempo. Este total no debe ser mayor que la capacidad del vatiaje/amperaje nominal del generador. Vea No Sobrecargue el Generador en la página 38.

Parado del Motor

- Desconecte todas las cargas eléctricas de los tomacorrientes del panel del generador. Nunca de arranque o detenga el motor con todos los dispositivos eléctricos conectados y encendidos.
- Apague (Off) el interruptor de control de marcha en vacío.
- Deje que el motor funcione sin cargas por algunos minutos para estabilizar las temperaturas internas del motor y el generador.
- Mueva el interruptor de marcha/parado a la posición "Stop" (Parado).
- Cierre la válvula del combustible.

FUNCIONAMIENTO DEL CONTROL AUTOMÁTICO DE MARCHA EN VACÍO

Este interruptor ha sido diseñado para mejorar el consumo de combustible. Cuando éste interruptor sea "Activado", el motor funcionará únicamente en su alta velocidad de mando normal una vez sea conectada una carga eléctrica. Cuando la carga eléctrica es retirada, el motor funcionará a una velocidad menor. Si el interruptor está "Desactivado", el motor funcionará en alta velocidad normal. Siempre tenga el interruptor en la posición off (apagado) cuando arranque y detenga el motor.

Sistema de Apagado por Baja Presión de Aceite

El motor está equipado con un detector de baja presión de aceite que apaga el motor automáticamente cuando la presión del aceite cae por debajo de 6 psi. Revise el nivel de aceite del motor si el motor se apaga por sí solo y el tanque de combustible tiene suficiente gasolina.

Puesta en Marcha Inicial

Una demora incorporada en el sistema de apagado por baja presión de aceite permite que la presión del aceite se acumule durante el arranque. La demora permite que el motor funcione por aproximadamente 10 segundos antes de detectar la presión del aceite.

Detección de Baja Presión

El motor se apagará si el sistema detecta baja presión de aceite durante el funcionamiento. Cuando el sistema se apaga, la luz de bajo nivel de aceite se ENCIENDE. Sin embargo, una vez que el motor ha dejado de rotar, esta luz se APAGARA.

Arranques Sucesivos

Si usted trata de volver a darle arranque al motor a los 10 segundos de haberse apagado, es posible que el motor NO arranque. El sistema necesita de 5 a 10 segundos para reajustarse.

Si usted vuelve a darle arranque al motor después de dicho apagado y no ha corregido el problema de bajo nivel de aceite, el motor funcionará por aproximadamente 10 segundos, como fue descrito anteriormente, y después se detendrá.

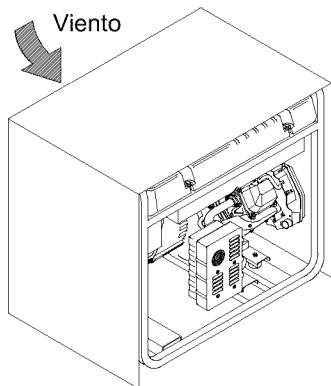
OPERACION EN CLIMA FRIO

Es posible que se forme hielo en su generador y/o el sistema de desfogue de la caja del cigüeñal bajo ciertas condiciones climáticas (temperaturas por debajo de 40°F [4°C] y un punto de condensación elevado). En caso de emergencia, utilice la caja de envío original como protección para el generador:

- Corte las tapas y uno de los lados largos de la caja con el fin de dejar expuesta la parte de la unidad donde va el escape. Corte las ranuras correspondientes para tener acceso a los tomacorrientes de la unidad.
- Encienda la unidad y después coloque la caja sobre ella. Asegúrese de que exista un mínimo de dos pies de separación entre la parte abierta de la caja y el objeto más cercano.

IMPORTANTE: Retire la protección cuando la temperatura esté por encima de los 40°F [4°C].

Para tener una protección más permanente, construya una estructura que encierre tres lados y la parte superior del generador. Asegúrese de dejar expuesto toda la parte del silenciador, con dos pies de separación entre la parte abierta de la caja y el objeto más cercano. Coloque el lado expuesto lejos del viento y los elementos.



CARGA DE LA BATERIA



¡PELIGRO! Las baterías de acumuladores producen gas de hidrógeno explosivo cuando son recargadas. Una mezcla explosiva va a permanecer alrededor de

la batería por un período de tiempo prolongado después de haber sido cargada. La chispa más pequeña podría encender el gas y causar una explosión. La explosión puede destruir la batería y causar ceguera y otras lesiones serias.

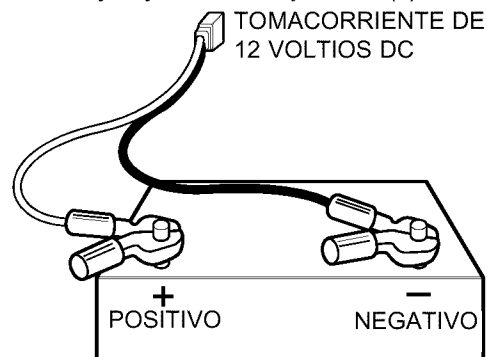


¡PELIGRO! No permita que se fume, llamas abiertas, chispas o cualquier otra fuente de calor alrededor de la batería. Use anteojos de protección, delantal y guantes de caucho cuando trabaje alrededor de la batería. El líquido electrolito de la batería es una solución de ácido sulfúrico cáustico, la cual puede causar quemaduras severas. Si ocurren derrames, limpie inmediatamente el área con agua limpia.

Su generador tiene la capacidad de recargar baterías descargadas de acumuladores tipo servicio o automotriz de 12 Voltios. No utilice la unidad para cargar baterías de 6 Voltios. No use la unidad para mover motores que tengan la batería descargada.

Para recargar baterías de 12 Voltios, lleve a cabo los siguientes procedimientos:

- Revise el nivel del líquido en todas las celdas de la batería. Si es necesario, añada agua destilada UNICAMENTE hasta cubrir los separadores de las celdas de la batería. No use agua de grifo.
- Si la batería está equipada con tapas de desfogue, asegúrese de que están instaladas y apretadas.
- Limpie los terminales de la batería si es necesario.
- Conecte el enchufe conector del cable de carga de la batería al tomacorrientes del panel identificado con las palabras "12-VOLTS D.C.".
- Conecte el sujetador del cable de carga de la batería que tiene la manija roja al terminal **positivo (+)** de la batería.



- Conecte el sujetador del cable de carga de la batería que tiene la manija negra al terminal **negativo (-)** de la batería.
- Arranque el motor. Deje que el motor funcione mientras la batería se recarga.
- Apague el motor cuando la batería se haya cargado.

NOTA: Use un hidrómetro para automóviles para probar el estado de carga y condición de la batería. Siga cuidadosamente las instrucciones del fabricante del hidrómetro. Por lo general, se considera que una batería está en un estado de carga del 100% cuando la gravedad específica de su líquido (medido por el hidrómetro) es de 1.260 o mayor.

NO SOBRECARGUE EL GENERADOR

Sobrecargar el generador más allá de su capacidad de vatiaje puede ocasionar daños al mismo y a los dispositivos eléctricos conectados. Siga las siguientes instrucciones para evitar sobrecargar la unidad:

- Sume el vatiaje total de todos los dispositivos eléctricos que van a ser conectados al mismo tiempo. Este total NO deberá ser mayor que la capacidad de vatiaje del generador.
- El vatiaje nominal de las luces puede ser tomado de los bombillos. El vatiaje nominal de herramientas, aparatos especiales y motores se puede encontrar, por lo general, en la calcomanía o placa de datos del dispositivo.
- Si el aparato especial, herramienta o motor no suministra el vatiaje, multiplique los voltios por la clasificación de

amperaje para determinar los vatios (voltios x amperios = vatios).

- Algunos motores eléctricos, como los de inducción, requieren aproximadamente tres veces más vatios de poder para su arranque que para su funcionamiento. Esta onda irruptiva de poder dura tan solo unos segundos durante el arranque de dichos motores. Asegúrese de tener en cuenta este alto vatiaje de arranque cuando seleccione los dispositivos eléctricos que va a conectar a su generador. Primero, conozca la cantidad de vatios necesarios para dar arranque al motor más grande. Súmele a ese número los vatios de funcionamiento de todas las otras cargas conectadas.

La Guía de Referencia de Vatiaje a continuación ha sido suministrada para ayudarle a determinar cuantos elementos puede operar su generador al mismo tiempo.

GUIA DE REFERENCIA DE VATIAJE

Dispositivo	Vatios
*Aire Acondicionado (12,000 Btu)	1700
*Air Acondicionado (24,000 Btu)	3800
*Air Acondicionado (40,000 Btu)	6000
Cargador de Baterías (20 Amperios)	500
Lijadora Automática de Correa (3")	1000
Sierra de Cadena	1200
Sierra Circular (6-1/2")	800 a 1000
*Secadora de Ropa (Eléctrica)	5750
*Secadora de Ropa (Gas)	700
*Lavadora de Ropa	1150
Cafetera	1750
*Compresor (1 HP)	2000
*Compresor (3/4 HP)	1800
*Compresor (1/2 HP)	1400
Pinza para cabello	700
*Congelador	700
*Deshumidifacador	650
Lijadora de Disco (9")	1200
Recordadora de Bordes	500
Cobija Eléctrica	400
Pistola Eléctrica de Puntillas	1200
Cocina Eléctrica (por hornilla)	1500
Sartén Eléctrico	1250
*Ventilador de Horno (3/5 HP)	875
*Control Abrepuertas	500 a 750
Secador de Pelo	1200
Taladro de Mano	250 a 1100

Dispositivo	Vatios
Recordadora de Bordes	450
Llave de Choque	500
Máquina de Planchar	1200
*Bomba de Chorro	800
Segadora de Césped	1200
Bombillo	100
Horno Micro-ondas	700 to 1000
*Enfriador de Leche	1100
Quemador de Aceite de Horno	300
Calentador Alimentado a Petróleo (140.000 Btu)	400
Calentador Alimentado a Petróleo (85.000 Btu)	225
Calentador Alimentado a Petróleo (30.000 Btu)	150
*Rociador de Pintura, Sin Aire (1/3 HP)	600
Rociador de Pintura, Sin Aire (de mano)	150
Radio	50 a 200
*Refrigerador	700
Olla de Cocción Lenta	200
*Bomba Sumergible (1-1/2 HP)	2800
*Bomba Sumergible (1 HP)	2000
*Bomba Sumergible (1/2 HP)	1500
*Bomba de Pozo	800 a 1050
*Sierra de Caballete (10")	1750 a 2000
Televisión	200 a 500
Tostadora	1000 a 1650
Corta Maleza	500
* Permita 3 veces los vatios listados para el arranque de estos dispositivos.	

MANTENIMIENTO

PROGRAMA DE MANTENIMIENTO

Siga los intervalos horarios o de calendario, lo que ocurra primero. Se requiere de servicio con mayor frecuencia cuando opere la unidad en las condiciones adversas descritas a continuación.

Operación de Mantenimiento	Cada 8 horas o diariamente	25 horas o cada estación	50 horas o cada estación	100 horas o cada estación	Anualmente
Revise el nivel del aceite	X				
Proporcione servicio al prelimpiador del depurador de aire		X**			
Cambie el aceite y filtro de aceite ++			X*		
Proporcione servicio al cartucho del depurador de aire			X**		
Vuelva a apretar los pernos de cabeza			***		
Ajuste la separación de las válvulas			X		
Limpie la pantalla del apagachispas				X	
Reemplace la bujías					X

++ Cambie el aceite después de las primeras 8 horas de operación y después cada 50 horas o cada estación.

* Cambie el aceite y el filtro de aceite cada 25 horas cuando opere la unidad bajo cargas pesadas o en altas temperaturas.

** Limpie más a menudo bajo condiciones demasiado sucias o polvorientas. Reemplace las partes del depurador si están muy sucias.

*** Lleve a cabo esta tarea únicamente después de las primeras 50 horas de operación. No tendrá que volver a apretar los pernos de cabeza.

ESPECIFICACIONES DEL PRODUCTO

Especificaciones del Generador

Potencia Máxima	4,200 vatios (4.2 kW)
Potencia de Sobretensión	5,000 Vatios (5.0 kW)
Voltaje AC Nominal	120/240 Voltios
Corriente Máxima a 240 Voltios	17.5 Amperios
Corriente Máxima a 120 Voltios	35.0 Amperios
Frecuencia Nominal	60Hz a 3600 rpm
Fase	Monofásica

Especificaciones del Motor

Caballos de Fuerza	7.8 a 3600 rpm
Desplazamiento	220cc
Bujía Tipo:	Champion RC12YC o equivalente
Calibrar Separación a:	0.030 pulgadas (0.76mm)
Capacidad de Gasolina	4 galones americanos
Aceite	
Verano	SAE 30 (10W-30)
Invierno	SAE 5W-30

RECOMENDACIONES GENERALES

La garantía del generador no cubre los elementos que hayan sido sujetos al abuso o negligencia del operador. Para recibir el valor completo de la garantía, el operador deberá mantener el generador de la forma descrita en este manual.

Se deberán llevar a cabo algunos ajustes periódicamente para mantener correctamente su generador.

Todos los ajustes de la sección Servicio y Ajustes de este manual deberán ser hechos por lo menos una vez en cada estación. Cumpla con los requisitos de la tabla "Programa de Mantenimiento" descrita anteriormente.

NOTA: Una vez al año deberá limpiar o reemplazar la bujía y reemplazar el filtro de aire. Una bujía nueva y un filtro de aire limpio garantizan una mezcla de combustible-aire adecuada y ayuda a que su motor funcione mejor y tenga una vida útil más prolongada.

MANTENIMIENTO DEL GENERADOR

El mantenimiento del generador consiste en mantener la unidad limpia y seca. Opere y almacene la unidad en un ambiente limpio y seco donde no vaya a estar expuesta a excesos de polvo, suciedad, humedad o a vapores corrosivos. Las ranuras para aire de enfriamiento del generador deben permanecer despejadas, sin acumulación de nieve, hojas u objetos extraños.

Revise frecuentemente la limpieza del generador y límpielo cuando elementos como polvo, suciedad, aceite, humedad o sustancias extrañas sean visibles sobre su superficie exterior.



¡PRECAUCION! Nunca inserte objetos o herramientas a través de las ranuras de enfriamiento de aire, incluso si el motor no está en funcionamiento.

NOTA: NO recomendamos el uso de mangueras de jardín para limpiar el generador. El agua podría introducirse en el sistema de combustible del motor y causar problemas. Además, si el agua se introduce al generador a través de las ranuras para aire de enfriamiento, algo del agua quedará retenida en los espacios vacíos y grietas del aislamiento del devanado del estator y rotor. La acumulación de agua y suciedad en los devanados internos del generador disminuirá eventualmente la resistencia del aislamiento de estos devanados.

Para limpiar el Generador:

- Utilice un trapo húmedo para limpiar las superficies exteriores.
- Puede usar un cepillo de cerdas suaves para retirar la suciedad endurecida, aceite, etc.
- Puede usar una máquina aspiradora para eliminar suciedad y residuos sueltos.
- Puede usar aire a baja presión (que no exceda los 25 psi) para eliminar la suciedad. Inspeccione las ranuras para aire de enfriamiento y la apertura del generador. Estas aperturas deberán mantenerse limpias y despejadas.

MANTENIMIENTO DEL MOTOR



¡PELIGRO! SIEMPRE desconecte el alambre de la bujía y manténgalo alejado de la misma cuando trabaje en el generador.

Revisión del Nivel de Aceite

El nivel de aceite deberá revisarse antes de cada uso o por lo menos cada 8 horas de operación. Conserve el nivel de aceite adecuado.

Cambio de Aceite del Motor y Filtro

Cambie el aceite después de las primeras 8 horas de operación. Cambie el aceite y el filtro cada 50 horas de ese momento en adelante. Si está utilizando su generador bajo condiciones de extrema suciedad o polvo, o en un clima demasiado caliente, haga el cambio de aceite más frecuentemente.

Cambie el aceite cuando el motor todavía se encuentre caliente después del funcionamiento, como se indica a continuación:

- Limpie el área alrededor del tapón para drenaje de aceite.
- Retire el tapón de drenaje de aceite y el tapón de llenado del aceite y drene el aceite por completo en un recipiente adecuado.
- Cuando haya drenado el aceite completamente, instale el tapón para drenaje de aceite y apriételo firmemente.
- Coloque un recipiente adecuado por debajo del filtro de aceite y retire el filtro girándolo en sentido contrario a las manecillas del reloj. Descártelo cumpliendo con las leyes locales.
- Cubra con aceite de motor el empaque del filtro nuevo. Gire el filtro en sentido de las manecillas del reloj hasta que el empaque se ponga en estrecho contacto con el adaptador del filtro. Después apriete 3/4 de vuelta más.
- Llène con el aceite recomendado. (Vea “Antes de Poner en Marcha el Generador” en la página 35 para las recomendaciones del aceite).
- Instale el tapón de llenado del aceite y asegúrelo.
- Limpie cualquier derrame de aceite.

Limpie/reemplace La Bujía

Cambie la bujía cada 100 horas de operación o una vez al año, lo que suceda primero. Esto ayudará a su motor a arrancar más fácilmente y a funcionar mejor.

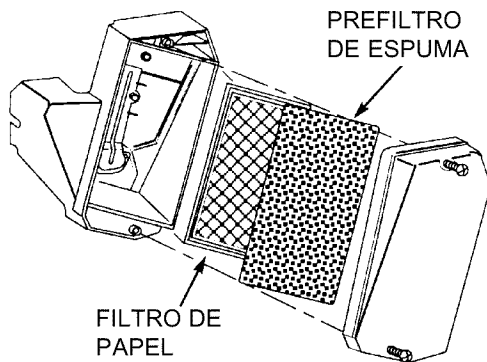
- Limpie el área alrededor de la bujía.
- Retire y revise la bujía.
- Revise la separación del electrodo con un calibrador de alambre y ajuste la separación a 0.030 pulgadas (0.76mm) si es necesario.
- Reemplace la bujía si los electrodos están picados, quemados o si la porcelana está rota.

Proporcione Servicio al Depurador de Aire

Su motor no funcionará correctamente y podría resultar dañado si lo hace funcionar con un depurador de aire sucio. Limpie o reemplace el filtro de papel del depurador de aire cada 50 horas de operación o una vez al año, lo que suceda primero. Límpielo o reemplácelo más a menudo si la unidad funciona bajo condiciones de suciedad o polvo excesivo. Limpie el predepurador de espuma cada 25 horas de operación o más pronto si está bajo condiciones de suciedad.

Para limpiar o reemplazar el predepurador de espuma:

- Retire la cubierta del depurador de aire, después del prefiltro de espuma.



- Lave el predepurador en agua jabonosa. Exprima el predepurador en un trapo limpio y seco (NO RETUERZA).
- Limpie la cubierta del depurador de aire antes de instalarla.

Para limpiar o reemplazar el filtro del aire de papel:

- Retire la cubierta del depurador de aire; después retire el prefiltro de espuma (dele servicio si es necesario) y retire del filtro de papel.
- Limpie el filtro de papel golpeándolo suavemente sobre una superficie sólida. Si el filtro está demasiado sucio, reemplácelo por uno nuevo. Deseche adecuadamente el filtro viejo.
- Limpie la cubierta del depurador de aire, después introduzca el predepurador en la cubierta. Luego introduzca el filtro nuevo de papel dentro de la cubierta para sostener el predepurador en su sitio y monte todo a la base del depurador de aire.

NOTA: Si necesita ordenar un filtro de papel nuevo, por favor llame al **1-800-366-PART**.

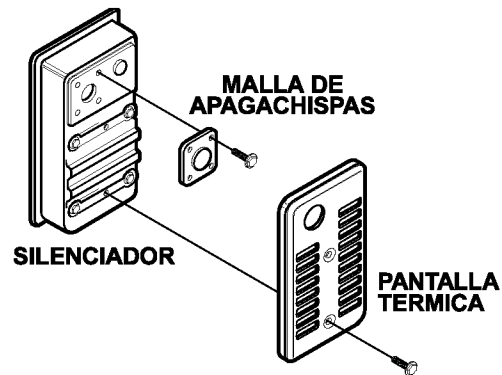
Limpie la Pantalla Apagachispas

El silenciador del escape del motor posee una pantalla apagachispas. Inspeccione y limpie la pantalla cada 100 horas de operación o una vez al año, lo que suceda primero.

NOTA: El generador tendrá que tener un apagachispas si lo usa en terrenos no tratados cubiertos de monte, maleza o pasto. El apagachispas deberá ser mantenido en buenas condiciones por parte del propietario/operador.

Limpie e inspeccione el apagachispas de la siguiente manera:

- Para retirar la protección del silenciador, retire los cuatro tornillos que conectan la protección a la ménsula del silenciador.



- Retire los cuatro tornillos que sostienen la pantalla apagachispas.
- Inspeccione la pantalla y reemplácela si está rota, perforada o dañada. **No** use pantallas defectuosas. Si la pantalla no está dañada, límpiela con un disolvente comercial.
- Vuelva a instalar la pantalla y la protección del silenciador.

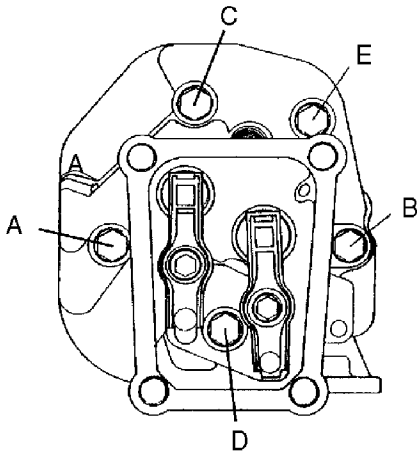
Vuelva a Apretar los Pernos de Cabeza

Usted deberá volver a apretar los pernos de cabeza a 6.9 kg.-m (44 ft.-lbs.) después de las primeras 50 horas de operación.

IMPORTANTE: Si no se siente seguro haciendo este procedimiento, o no tiene las herramientas indicadas, por favor lleve su generador al centro de servicio más cercano para hacer ajustar la separación de las válvulas. Este es un paso muy importante para garantizar la vida útil prolongada de su motor.

NOTA: Tan solo lleve a cabo este ajuste después de las primeras 50 horas de operación. Los pernos de cabeza no necesitarán ajustes adicionales.

- La secuencia de apretamiento es la siguiente: A, B, C, D, E (siguiendo un patrón alternante).



Ajuste de la Separación de las Válvulas

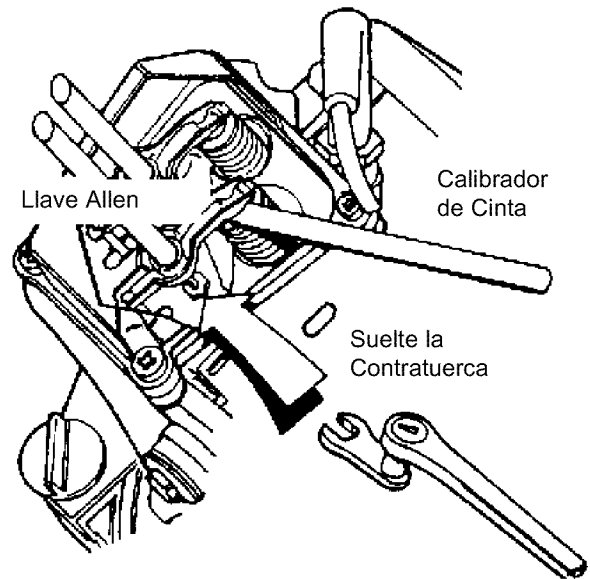
Después de las primeras 50 horas de funcionamiento deberá ajustar la separación de las válvulas del motor.

IMPORTANTE: Si no se siente seguro haciendo este procedimiento, o no tiene las herramientas indicadas, por favor lleve su generador al centro de servicio más cercano para hacer ajustar la separación de las válvulas. Este es un paso muy importante para garantizar la vida útil prolongada de su motor.

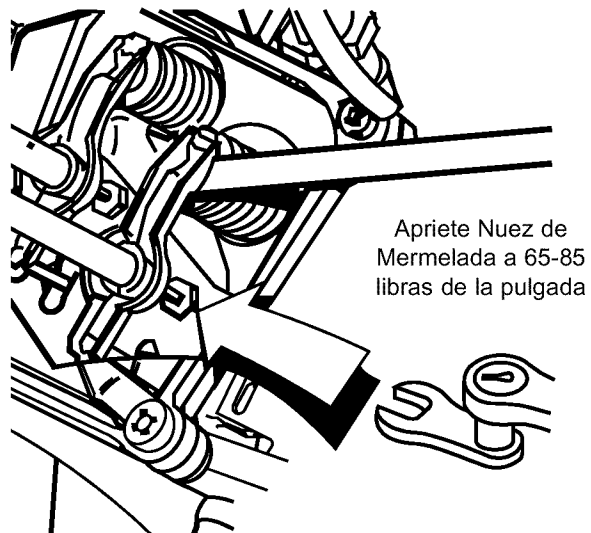
Para ajustar la separación de las válvulas:

- Asegúrese de que el motor esté a temperatura ambiente.
- Asegúrese de que el alambre de la bujía haya sido desconectado y esté alejado de la bujía.
- Retire el tubo del respiradero de la cubierta de las válvulas.
- Retire los cuatro tornillos que están conectando la cubierta de las válvulas utilizando un destornillador philips #2 ó 3.
- Asegúrese de que el pistón esté en el Punto Muerto Superior (PMS) de su recorrido de compresión (ambas válvulas cerradas). Para llevar el pistón al punto muerto superior, hale la manija de retroceso lentamente observando el pistón a través del orificio de la bujía. A medida que hale la manija de retroceso el pistón deberá moverse hacia arriba y abajo. El pistón estará en el Punto Muerto Superior cuando se encuentre en la posición más superior posible.

- Suelte la contratuerca del brazo oscilante utilizando un allave de 10 mm. Use una llave allen de 8 mm para girar el pasador de bola pivote mientras revisa la separación entre el brazo oscilante y el vástago de la válvula utilizando un calibrador de cinta. La separación correcta es de 0.002–0.004 pulgadas (0.05–0.1 mm).



- Cuando la separación de las válvulas sea la correcta, sostenga el pasador de bola pivote en su posición con la llave allen y apriete la contratuerca del brazo oscilante. Apriete la contratuerca a 65–85 pulgadas-libras de torque. Después de apretar la contratuerca, vuelva a revisar la separación de las válvulas para asegurarse de que esta no ha cambiado.



- Vuelva a instalar la cubierta de las válvulas.
- NOTA:** Comience a atornillar todos los cuatro tornillos antes de apretarlos o no podrá colocarlos en su lugar.
- NOTA:** Asegúrese de que el empaque entre la cubierta de las válvulas y la cabeza del cilindro esté en su lugar.- Vuelva a instalar el tubo del respiradero.
- Vuelva a conectar el alambre de la bujía.

ALMACENAMIENTO

GENERALIDADES

El generador deberá ser encendido al menos una vez cada siete días y deberá dejarlo funcionar al menos durante 30 minutos. Si no puede hacer esto y debe almacenar la unidad por más de 30 días, siga las siguientes instrucciones para preparar su unidad para almacenamiento.



¡ADVERTENCIA! NUNCA almacene el motor con combustible en el tanque en recintos cerrados o en áreas encerradas con poca ventilación donde los vapores puedan alcanzar llamas abiertas, chispa o luz de piloto como en un horno, calentador de agua, secadora de ropa u otro aparato de gas.

ALMACENAMIENTO PARA PERIODOS PROLONGADOS

Es importante evitar que se formen depósitos de goma en las partes esenciales del sistema de combustible, como el carburador, filtro de combustible, manguera o tanque de combustible, durante el almacenamiento. También, la experiencia indica que los combustibles con mezclas de alcohol (llamados gasohol, etanol o metanol) pueden atraer humedad, la cual lleva a la separación y formación de ácidos durante el almacenamiento. El gas ácido puede dañar el sistema de combustible de un motor durante su almacenamiento.

Para evitar problemas del motor, el sistema de combustible deberá desocuparse antes de un almacenamiento de 30 días o más. Siga estas instrucciones:

Proteja el Sistema de Combustible

- Retire toda la gasolina del tanque de combustible para evitar que se formen depósitos de goma en estas partes y causen posible mal funcionamiento del motor.



¡ADVERTENCIA! Drene el combustible dentro de un recipiente adecuado, lejos de llamas abiertas y en lugares al aire libre. Asegúrese de que el motor esté frío. **No fume.**

- Haga funcionar el motor hasta que se detenga por la falta de combustible.

Cambio de Aceite

Con el motor todavía caliente, drene el aceite de la caja del cigüeñal. Vuelva a llenarlo con el grado de aceite recomendado.

Aceite el Diámetro Interior del Cilindro

- Retire la bujía y rocíe aproximadamente 1/2 onza (15 ml) de aceite para motor dentro del cilindro. Cubra el orificio de la bujía con un trapo. Haga girar el motor lentamente para distribuir el aceite.



¡PRECAUCION! Evite el rociado del orificio de la bujía cuando esté girando el motor lentamente.

- Instale la bujía. No conecte el alambre de la bujía.

GENERADOR

- Limpie el generador como está descrito en la página 40 ("Para Limpiar el Generador").
- Revise que las ranuras para el aire de enfriamiento y las aperturas del generador se encuentren abiertas y despejadas.

OTRAS SUGERENCIAS PARA EL ALMACENAMIENTO

- No almacene gasolina de una estación a otra.
- Reemplace la caneca de gasolina si comienza a oxidarse. El óxido y/o la suciedad en la gasolina le causará problemas.
- Si es posible, almacene su unidad en un recinto encerrado y cúbrala para protegerla del polvo y la suciedad. **ASEGURESE DE VACIAR EL TANQUE DEL COMBUSTIBLE.**
- Cubra su unidad con una cubierta de protección adecuada que no retenga humedad.



¡PELIGRO! NUNCA cubra su generador cuando el motor y el área del escape estén calientes.

- Almacene la unidad en un área limpia y seca.

REPARACION DE AVERIAS

PROBLEMA	CAUSA	SOLUCION
El motor está funcionando pero no existe salida de AC disponible.	<ol style="list-style-type: none"> 1. Uno de los cotacircuitos está abierto. 2. Falla en el generador. 3. Mala conexión o juego de cordones defectuoso. 4. El dispositivo conectado está en mal estado. 	<ol style="list-style-type: none"> 1. Reajuste el cortacircuito. 2. Póngase en contacto con la Planta de Servicio de Sears. 3. Revise y repare. 4. Conecte otro dispositivo que esté en buenas condiciones.
El motor funciona bien sin cargas pero "funciona mal" cuando las cargas son conectadas.	<ol style="list-style-type: none"> 1. Corto circuito en la carga conectada. 2. La velocidad del motor es muy lenta. 3. El generador está sobrecargado. 4. Circuito del generador en corto. 	<ol style="list-style-type: none"> 1. Desconecte la carga eléctrica en corto. 2. Póngase en contacto con la Planta de Servicio de Sears. 3. Vea "No Sobrecargue el Generador" on pagina 38. 4. Póngase en contacto con la Planta de Servicio de Sears.
El motor no arranca; o arranca y funciona mal.	<ol style="list-style-type: none"> 1. Interruptor de Marcha/Parado en "Stop". 2. Depurador de aire sucio. 3. Sin gasolina. 4. Gasolina vieja. 5. El alambre de la bujía no está conectado. 6. Bujía en mal estado. 7. Agua en la gasolina. 8. Exceso de cebado. 9. Bajo nivel de aceite. 10. Mezcla de combustible excesivamente rica. 11. Válvula de toma atascada en la posición abierta o cerrada. 12. El motor ha perdido compresión. 13. Válvula de toma atascada en la posición abierta o cerrada. 	<ol style="list-style-type: none"> 1. Coloque el interruptor en "Run" (MARCHA). 2. Limpie o reemplace el depurador de aire. 3. Llene el tanque de combustible. 4. Drene el tanque de gasolina; llénelo con combustible fresco. 5. Conecte el alambre a la bujía. 6. Reemplace la bujía. 7. Drene el tanque de gasolina; llénelo con combustible fresco. 8. Abra el cebador por completo y haga girar el motor. 9. Llene la caja del cigüeñal al nivel adecuado. 10. Póngase en contacto con la Planta de Servicio de Sears. 11. Póngase en contacto con la Planta de Servicio de Sears. 12. Póngase en contacto con la Planta de Servicio de Sears. 13. Póngase en contacto con la Planta de Servicio de Sears.
El motor se apaga en pleno funcionamiento.	<ol style="list-style-type: none"> 1. Sin gasolina. 2. Nivel de aceite bajo. 	<ol style="list-style-type: none"> 1. Llene el tanque del combustible. 2. Llene la caja del cigüeñal al nivel correcto
Al motor le hace falta potencia.	<ol style="list-style-type: none"> 1. La carga es muy alta. 2. Filtro de aire sucio. 	<ol style="list-style-type: none"> 1. Vea "No Sobrecargue el Generador" on pagina 38. 2. Reemplace el filtro de aire.
El motor "no funciona continuamente" o se detiene.	<ol style="list-style-type: none"> 1. El cebador fue abierto muy rápidamente. 2. Carburador con mezcla de aire-combustible muy rica o muy pobre. 	<ol style="list-style-type: none"> 1. Mueva el cebador a la posición intermedia hasta que el motor funcione suavemente. 2. Póngase en contacto con la Planta de Servicio de Sears.
Sin salida DC para carga de la batería.	<ol style="list-style-type: none"> 1. Los bornes de la batería están oxidados. 2. El nivel del líquido de la batería es bajo. 3. El cable de la batería está dañado. 4. Batería defectuosa. 5. El tomacorriente está dañado. 	<ol style="list-style-type: none"> 1. Limpie los bornes de la batería. 2. Agregue agua destilada a la batería. 3. Reemplace el cable. 4. Revise la condición de la batería; reemplácela si está defectuosa. 5. Póngase en contacto con la Planta de Servicio de Sears.

GARANTIA DEL SISTEMA DE CONTROL DE EMISIONES

Sus Obligaciones y Derechos de Garantía

La Junta Directiva de Recursos Ambientales de California ("CARB") y Sears Roebuck and Co. USA, tienen el gusto de explicar la Garantía del Sistema de Control de Emisiones de su motor (motor) pequeño año 2000 y modelos posteriores. En California, los motores nuevos deben ser diseñados, fabricados y equipados para cumplir con los estrictos estándares anti-polución del Estado. Sears deberá garantizar el sistema de control de emisiones de su motor por los períodos de tiempo enlistados a continuación, con tal de que no haya habido abuso, negligencia o mantenimiento inadecuado de su motor.

Su sistema de control de emisiones incluye partes como el carburador y el sistema de ignición.

Donde exista una condición que se pueda garantizar, Sears reparará su motor sin costo alguno para usted. Los gastos cubiertos bajo la garantía incluyen diagnóstico, partes y mano de obra.

Cubrimiento de Garantía del Fabricante

Los motores modelo año 2000 y posteriores están garantizados por dos años. Si alguna parte de su motor relacionada con las emisiones (lista a continuación) es defectuosa, ésta será reemplazada o reparada por Sears.

Responsabilidades de Garantía del Propietario

Como propietario del motor, usted es responsable de la realización del mantenimiento requerido enlistado en este manual del propietario. Sears le recomienda conservar todos los recibos que cubran el mantenimiento de su motor. Sin embargo, Sears no puede negar los derechos de garantía tan solo debido a la falta de los recibos o por que no se haya asegurado de realizar todo el mantenimiento programado.

Como propietario del motor, usted debe saber que Sears puede negar el cubrimiento de la garantía si su motor, o una parte del mismo, ha fallado debido a abuso, negligencia, mantenimiento inadecuado, modificaciones no aprobadas, o por el uso de partes que no hayan sido fabricadas o aprobadas por el fabricante original del equipo.

Usted es responsable de llevar su motor a un centro de reparación autorizado Sears tan pronto como aparezca el problema. Las reparaciones de garantía deberán terminarse en un período de tiempo razonable, que no exceda los 30 días.

Si tiene preguntas acerca de sus responsabilidades y derechos de garantía, deberá ponerse en contacto con su centro de servicio autorizado más cercano o llamar a Sears al 1-800-473-7247.

Fecha de Inicio de la Garantía

El período de la garantía comienza en la fecha de entrega del motor.

Duración del Cubrimiento

Sears garantiza al propietario inicial y a cada comprador subsecuente, que el motor está libre de defectos en materiales y mano de obra que puedan causar falla de la parte garantizada por un período de dos años.

QUE ESTA CUBIERTO

Reparación o Reemplazo de Partes

- La reparación o el reemplazo de cualquier parte garantizada se realizará sin ningún costo para el propietario en un centro de servicio aprobado Sears.
- Si tiene preguntas acerca de sus responsabilidades y derechos de garantía, deberá ponerse en contacto con su centro de

servicio autorizado más cercano o llamar a Sears al 1-800-473-7247.

Período de Garantía

Cualquier parte garantizada que no haya sido programada para reemplazo como mantenimiento requerido, o que esté programada únicamente para inspección bajo la condición de "repare o reemplace cuando sea necesario", será garantizada por 2 años. Cualquier parte garantizada que esté programada para reemplazo según el mantenimiento requerido será garantizada por el período de tiempo hasta su primer reemplazo programado.

Diagnóstico

No se le cobrará al propietario los costos del trabajo diagnóstico que lleve a la conclusión de que la parte garantizada es defectuosa, si dicho trabajo diagnóstico es hecho en un centro de servicio Sears aprobado.

Daños Consecuenciales

Sears puede ser responsable por daños a otros componentes del motor causados por la falla de una parte garantizada que aún está bajo garantía.

QUE NO ESTA CUBIERTO

No serán cubiertas las fallas causadas por abuso, negligencia o mantenimiento inadecuado.

Partes Agregadas o Modificadas

El uso de partes agregadas o modificadas puede ser motivo suficiente para negar reclamos bajo garantía. Sears no es responsable de cubrir fallas de partes garantizadas causadas por el uso de partes agregadas o modificadas.

Cómo Presentar un Reclamo

Si tiene preguntas acerca de sus responsabilidades y derechos de garantía, deberá ponerse en contacto con su centro de servicio autorizado más cercano o llamar a Sears al 1-800-473-7247.

Donde se Obtiene el Servicio de Garantía

Las reparaciones o servicios de garantía serán proporcionados en todos los centros de servicio autorizados Sears.

Mantenimiento, Reemplazo y Reparación de Partes Relacionadas con Emisiones

Cualquier repuesto aprobado por Sears usado en la realización de cualquier mantenimiento o reparación de garantía en partes relacionadas con las emisiones, será suministrado sin costo alguno al propietario si la parte está bajo garantía.

Lista de Partes en Garantía del Control de Emisiones

1. Sistema de Medición del Combustible:
 - a. Conjunto del Carburador
 - b. Filtro del Combustible
2. Sistema de Inducción de Aire:
 - a. Múltiple de admisión
 - b. Depurador de aire
3. Conjunto de Silenciador Catalítico (si está presente), incluyendo:
 - a. Empaque del silenciador
 - b. Múltiple del escape
4. Sistema de encendido
 - a. Bujía
 - b. Módulo de encendido
5. Tubo del Respiradero de la Caja del Cigüeñal

For in-home major brand repair service:

Call 24 hours a day, 7 days a week

1-800-4-MY-HOMESM (1-800-469-4663)

Para pedir servicio de reparación a domicilio - 1-800-676-5811

In Canada for all your service and parts needs call

Au Canada por tout le service ou les pièces

For the repair or replacement parts you need:

Call 7 am - 7 pm, 7 days a week

1-800-366-PART (1-800-366-7278)

Para ordenar piezas con entrega a domicilio - 1-800-659-7084

For the location of a Sears Parts and Repair Center in your area:

Call 24 hours a day, 7 days a week

1-800-488-1222

**For information on purchasing a Sears maintenance Agreement
or to inquire about an existing Agreement:**

Call 9 am - 5 pm, Monday - Saturday

1-800-827-6655



The Service Side of SearsSM

Free Manuals Download Website

<http://myh66.com>

<http://usermanuals.us>

<http://www.somanuals.com>

<http://www.4manuals.cc>

<http://www.manual-lib.com>

<http://www.404manual.com>

<http://www.luxmanual.com>

<http://aubethermostatmanual.com>

Golf course search by state

<http://golfingnear.com>

Email search by domain

<http://emailbydomain.com>

Auto manuals search

<http://auto.somanuals.com>

TV manuals search

<http://tv.somanuals.com>