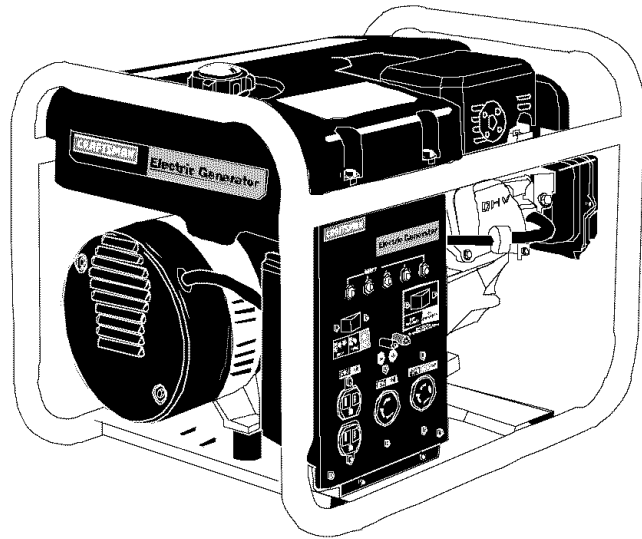


SEARS

OWNER'S MANUAL

**Model No.
919.679370**



CRAFTSMAN

**120/240 VOLT • 3750 WATT
GENERATOR**

IMPORTANT:

Read the Safety Guidelines
and All Instructions Carefully
Before Operating

- **SAFETY GUIDELINES**
- **ASSEMBLY**
- **OPERATION**
- **MAINTENANCE**
- **TROUBLESHOOTING**
- **REPAIR PARTS**

Sold by Sears Canada, Inc., Toronto, Ont. M5B2B8

TABLE OF CONTENTS

<i>Warranty</i>	<i>Storage</i>
2	15
<i>Safety Guidelines</i>	<i>Troubleshooting</i>
3-8	16
<i>Assembly</i>	<i>Parts</i>
8	17-31
<i>Operation</i>	<i>EPA Codes</i>
9-13	32-33
<i>Maintenance</i>	<i>How To Order Parts</i>
13-15	Back Cover
<i>Service Adjustments</i>	<i>Français</i>
15	

DATE PURCHASED: _____
MODEL NO: _____
SERIAL NO: _____
STORE WHERE PURCHASED: _____
ADDRESS _____
CITY _____
TELEPHONE: _____
Record the above information about your unit so that you will be able to provide it in case of loss or theft.

HORSE POWER	7.5 HP
GASOLINE CAPACITY	4 GALLON
OIL CAPACITY	30 OZ.

MAINTENANCE AGREEMENT

The Craftsman Warranty, plus a Maintenance Agreement, provide maximum value for your Sears products. Contact your nearest Sears store for details.

CUSTOMER RESPONSIBILITIES

Read and observe the safety rules.

Follow a regular schedule in maintaining, caring for and using your generator.

Follow the instructions under "Customer Responsibilities" and "Storage" sections of this owner's manual.

FULL ONE YEAR WARRANTY ON CRAFTSMAN GENERATORS

For one year from the date of purchase, when this Craftsman generator is maintained and operated according to the instructions in this owner's manual, Sears will repair, free of charge, any defect in material and workmanship.

If your Craftsman Generator is used for commercial or rental purposes, this warranty applies for only 90 days from the original date of purchase.

FULL ONE YEAR WARRANTY ON CRAFTSMAN ENGINE

For one year from the date of purchase, when this Craftsman engine is maintained and operated according to the instructions in this owner's manual, Sears will repair, free of charge, any defect in material and workmanship.

If your Craftsman engine is used for commercial or rental purposes, this warranty applies only for 90 days from the date of purchase. This warranty does not cover: Expendable items such as spark plugs and air filters, which become worn during normal use.

Repairs necessary because of operator abuse or negligence, including damage resulting from no oil being supplied to the engine or failure to maintain the equipment according to the instructions contained in this owner's manual, are not covered under warranty.

WARRANTY SERVICE IS AVAILABLE BY RETURNING THE GENERATOR TO THE NEAREST SEARS SERVICE CENTER. This warranty gives you specific legal rights and you may also have other rights, which vary from PROVINCE TO PROVINCE.

Sold by Sears Canada, Inc., Toronto, Ont.

SAFETY GUIDELINES - DEFINITIONS

This manual contains information that is important for you to know and understand. This information relates to protecting **YOUR SAFETY** and **PREVENTING EQUIPMENT PROBLEMS**. To help you recognize this information, we use the symbols to the right. Please read the manual and pay attention to these sections.

⚠ DANGER

URGENT SAFETY INFORMATION - A HAZARD THAT WILL CAUSE SERIOUS INJURY OR LOSS OF LIFE.

⚠ CAUTION

Information for preventing damage to equipment.

⚠ WARNING

IMPORTANT SAFETY INFORMATION - A HAZARD THAT MIGHT CAUSE SERIOUS INJURY OR LOSS OF LIFE.

NOTE

Information that you should pay special attention to.

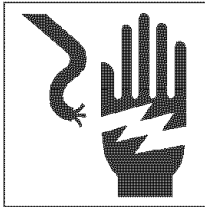
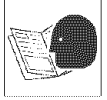
IMPORTANT SAFETY INSTRUCTIONS

• SAVE THESE INSTRUCTIONS •



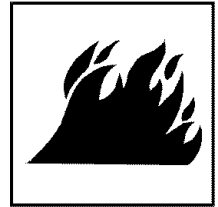
⚠ WARNING

When using this product basic precautions should always be followed including the following:



⚠ DANGER

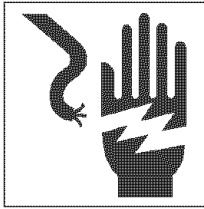
RISK OF ELECTROCUTION AND FIRE



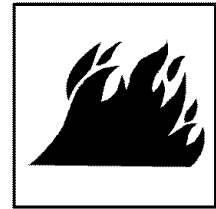
HAZARD	WHAT COULD HAPPEN	HOW TO PREVENT IT
Attempting to connect generator directly to the electrical system of any building structure.	<p>Back feeding electricity through a building's electrical system to the outside utility feed lines could endanger repair persons attempting to restore service.</p> <p>Attempting to connect to the incoming utility service could result in electrocution.</p> <p>Restoration of electrical service while the generator is connected to the incoming utility could result in a fire or serious damage if a isolator switch is not installed.</p>	<p>Never back feed electricity through a structure's electrical system.</p> <p>To connect to a structure's electrical system in a safe manner and always have a Double-Throw Transfer Switch installed by a qualified electrician, in compliance with local ordinances. (When installing a Double-Throw Transfer Switch, a minimum of 10 gauge wiring must be used.)</p>
Inadequate electrical grounding of generator.	The failure of one of the generator's electrical devices, a broken wire, wet surfaces, etc. could result in the entire unit becoming electrically charged. Contact with electrically charged surfaces could result in electrocution.	Make sure that the unit is connected to an appropriate electrical ground, in accordance with the requirement of the National Electric Code. See page 8 for grounding instructions.

**READ AND UNDERSTAND ALL WARNINGS BEFORE
ATTEMPTING TO OPERATE GENERATOR.**

⚠ DANGER



RISK OF ELECTROCUTION AND FIRE (cont'd)

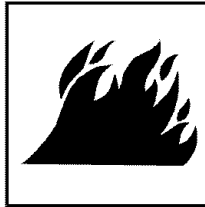


HAZARD	WHAT COULD HAPPEN	HOW TO PREVENT IT
<p>Operation of generator in rain, wet, icy, or flooded conditions.</p>	<p>Water is an excellent conductor of electricity! Water which comes in contact with electricity charged components can transmit electricity to the frame and other surfaces, resulting in electrical shock to anyone contacting them.</p>	<p>Operate generator in a clean, dry, well ventilated area. Make sure hands are dry before touching unit.</p>
<p>Use of worn damaged, undersized or ungrounded extension cords.</p>	<p>Contact with worn or damaged extension cords could result in electrocution.</p> <p>Use of undersize extension cords could result in overheating of the wires or attached items, resulting in fire.</p> <p>Use of ungrounded cordsets could prevent operation of circuit breakers and result in electrical shock.</p>	<p>Inspect extension cords before use and replace with new if required.</p> <p>Use proper size (wire gauge) cordset for application.</p> <p>Always use electrically grounded cordset.</p>
<p>Placing generator on or against highly conductive surface, such as a steel walkway or metal roof.</p> <p>Improper connection of items to generator.</p> <p>Operation of unit when damaged, or with guards or panels removed.</p>	<p>Accidental leakage of electrical current could charge conductive surfaces in contact with the generator.</p> <p>Exceeding the load capacity of the generator by attaching too many items, or items with very high load ratings to it could result in overheating of some items or their attachment wiring resulting in fire or electrical shock.</p> <p>Attempting to use the unit when it has been damaged, or when it is not functioning normally could result in fire or electrocution.</p> <p>Removal of guarding could expose electrically charged components and result in electrocution.</p>	<p>Place generator on low conductivity surface such as a concrete slab.</p> <p>Read the load rating chart and instructions on page 9, 10 and 11. Make sure that the summation of electrical loads for all attachments does not exceed the load rating of the generator.</p> <p>Do not operate generator with mechanical or electrical problem. Have unit repaired by an Authorized Service Center.</p> <p>Do not operate generator with protective guarding removed.</p>

**READ AND UNDERSTAND ALL WARNINGS BEFORE
ATTEMPTING TO OPERATE GENERATOR.**

⚠ WARNING

RISK OF FIRE



HAZARD	WHAT COULD HAPPEN	HOW TO PREVENT IT
Attempting to fill the fuel tank while the engine is running.	Gasoline and gasoline vapors can become ignited by coming in contact with hot components such as the muffler, engine exhaust gases, or from an electrical spark.	Turn engine off and allow it to cool before adding fuel to the tank. Equip area of operation with a fire extinguisher certified to handle gasoline or fuel fires.
Sparks, fire, hot objects	Cigarettes, sparks, fires, or other hot objects can cause gasoline or gasoline vapors to ignite.	Add fuel to tank in well ventilated area. Make sure there are no sources of ignition near the generator.
Improper storage of fuel	Improperly stored fuel could lead to accidental ignition. Fuel improperly secured could get into the hands of children or other unqualified persons.	Store fuel in a container designed to hold gasoline. Store container in secure location to prevent use by others.
Inadequate ventilation for generator	Materials placed against or near the generator or operating the generator in areas where the temperature exceeds 104° F. ambient can interfere with its proper ventilation features causing overheating and possible ignition of the materials.	Operate generator in a clean, dry, well ventilated area a minimum of four feet from any objects or wall. DO NOT OPERATE UNIT INDOORS OR IN ANY CONFINED AREA.
Tampering with factory set engine speed settings.	Engine speed has been factory set to provide safe operation. Tampering with the engine speed adjustment could result in overheating of attachments and could cause a fire.	Never attempt to “ speedup ” the engine to obtain more performance. Both the output voltage and frequency will be thrown out of standard by this practice, endangering attachments and the user.
Overfilling the fuel tank – fuel spillage.	Spilled fuel and its vapors can become ignited from hot surfaces or sparks.	Use care in filling the tank to avoid spilling fuel. Make sure fuel cap is secured tightly and check engine for fuel leaks before starting engine. Move generator away from refueling area or any spillage before starting engine. Allow for fuel expansion. Keep maximum fuel level ¼ inch below the tip of the fuel tank. Never refuel with the engine running.

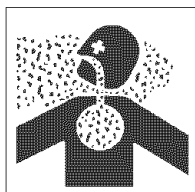
**READ AND UNDERSTAND ALL WARNINGS BEFORE
ATTEMPTING TO OPERATE GENERATOR.**



⚠ DANGER

**Risk of Injury and Property Damage When
Transporting Generator**

HAZARD	WHAT COULD HAPPEN	HOW TO PREVENT IT
Fire, Inhalation, Damage to Vehicle Surfaces	Fuel or oil can leak or spill and could result in fire or breathing hazard, serious injury or death can result. Fuel or oil leaks will damage carpet, paint or other surfaces in vehicles or trailers.	If generator is equipped with a fuel shut-off valve, turn the valve to the off position before transporting to avoid fuel leaks. If generator is not equipped with a fuel shut-off valve, drain the fuel from tank before transporting. Only transport fuel in an CSA approved container. Always place generator on a protective mat when transporting to protect against damage to vehicle from leaks. Remove generator from vehicle immediately upon arrival at your destination



⚠ DANGER

RISK OF BREATHING - INHALATION HAZARD

HAZARD	WHAT COULD HAPPEN	HOW TO PREVENT IT
Gasoline engines produce toxic carbon monoxide exhaust fumes.	Breathing exhaust fumes will cause serious injury or death.	Operate generator in clean, dry, well ventilated area. Avoid enclosed areas like garages, basements, storage sheds, etc., which lack a steady exchange of air. Never operate unit in a location occupied by humans or animals. Keep children, pets and others away from area of operating unit.

**READ AND UNDERSTAND ALL WARNINGS BEFORE
ATTEMPTING TO OPERATE GENERATOR.**



⚠ WARNING

RISK OF UNSAFE OPERATION

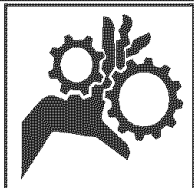
HAZARD	WHAT COULD HAPPEN	HOW TO PREVENT IT
Operation of generator in careless manner.	All sources of energy include the potential for injury. Unsafe operation or maintenance of your generator could lead to serious injury or death to you or others.	<ul style="list-style-type: none"> • Review and understand all of the operating instructions and warnings in this manual. • Become familiar with the operation and controls of the generator. Know how to shut it off quickly. • Equip area of operation with a fire extinguisher certified to handle gasoline or fuel fires. • Keep children or others away from the generator at all times.
Operation of voltage sensitive appliances without a voltage surge protector.	Any gasoline operated household generator will incur voltage variations causing damage to voltage sensitive appliances or result in fire.	<p>Always use U.L. listed voltage protector to connect voltage sensitive appliances (TV, computer, stereo, etc.). Failure to use a U.L. listed voltage surge protector will void the warranty on your generator.</p> <p>Notice: A multiple outlet strip is not a surge protector make sure you use a U.L. listed voltage surge protector.</p>



⚠ WARNING

RISK OF HOT SURFACES

HAZARD	WHAT COULD HAPPEN	HOW TO PREVENT IT
Contact with hot engine and generator components.	Contact with hot surfaces, such as engines exhaust components, could result in serious burns.	During operation, touch only the control surfaces of the generator. Keep children away from the generator at all times. They may not be able to recognize the hazards of this product.



⚠ WARNING

RISK OF MOVING PARTS

HAZARD	WHAT COULD HAPPEN	HOW TO PREVENT IT
Contact with moving parts can result in serious injury.	The generator contains parts which rotate at high speed during operation. These parts are covered by guarding to prevent injury.	Never operate generator with guarding or cover plates removed. Avoid wearing loose fitting clothing or jewelry which could be caught by moving parts.

**READ AND UNDERSTAND ALL WARNINGS BEFORE
ATTEMPTING TO OPERATE GENERATOR.**



**⚠ WARNING
RISK FROM LIFTING**

HAZARD	WHAT COULD HAPPEN	HOW TO PREVENT IT
Lifting a very heavy object.	Serious injury can result from attempting to lift too heavy an object.	The generator is too heavy to be lifted by one person. Obtain assistance from others before you try to move it.

⚠ WARNING

Read Owner's Manual. Do not operate equipment until you have read Owner's Manual for **Safety, Operation, and Maintenance Instructions.**

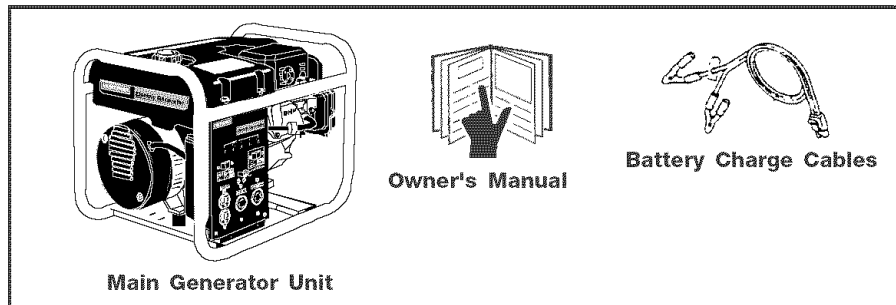
This product is not equipped with a spark arresting muffler. If the product will be used around flammable materials, or on land covered with materials such as agricultural crops, forest, brush, grass, or other similar items, then an approved spark arrester must be installed and is legally required in the state of California. It is a violation of California statutes section 130050 and/or sections 4442 and 4443 of the California Public Resources Code, unless the engine is equipped with a spark arrester, as defined in section 4442, and maintained in effective working order. Spark arresters are also required on some U.S. Forest Service land and may also be legally required under other statutes and ordinances.

Engine exhaust contains chemicals known, in certain quantities, to cause cancer, birth defects or other reproductive harm.

ASSEMBLY

CARTON CONTENTS

- Main Unit
- Owner's Manual
- Battery Charge Cables



CAUTION: Read owner's manual. Do not attempt to operate equipment until you have read Owner's Manual for Safety, Operation, and Maintenance Instructions.

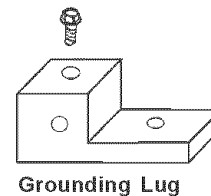
REMOVE GENERATOR FROM CARTON

- Open carton from top.
- Cut carton along dotted lines.
- Remove all carton inserts.
- Remove generator through opening in carton.

IMPORTANT: Before any attempt to start your generator be sure to check engine oil (See OPERATION under Engine Oil on page 11)

GROUNDING THE GENERATOR

This generator should be grounded to help prevent accidental electrical shock. Shown below is a picture of the grounding lug supplied on your generator. First, drive a 3/4" or 1" diameter copper pipe or rod into the ground close to the generator set. The pipe must penetrate moist earth. Using #10 gauge wire, connect one end of the wire into the grounding lug. Next, connect the other end of the wire to the copper pipe or rod using an approved ground clamp.



OPERATION

KNOW YOUR GENERATOR

Read this Owner's Manual and Safety Rules before operation of your Generator. Compare this illustration with your generator to familiarize yourself with the location of various controls and adjustments. Save the manual for future references.

FUEL TANK- Capacity of 4 US gallons.

CHOKE SWITCH- Lever used to start cold engine.

ENGINE RUN/STOP SWITCH- Sets engine in starting mode for recoil starter - Stops running engine.

ENGINE OIL FILL- Place where engine oil is poured.

CIRCUIT BREAKER- Each receptacle has a circuit breaker to protect the generator from overloading.

120 VOLT DUPLEX RECEPTACLES- Used to supply 1800 watts of electrical power per receptacle for operations. Protected by 15 amp circuit breaker.

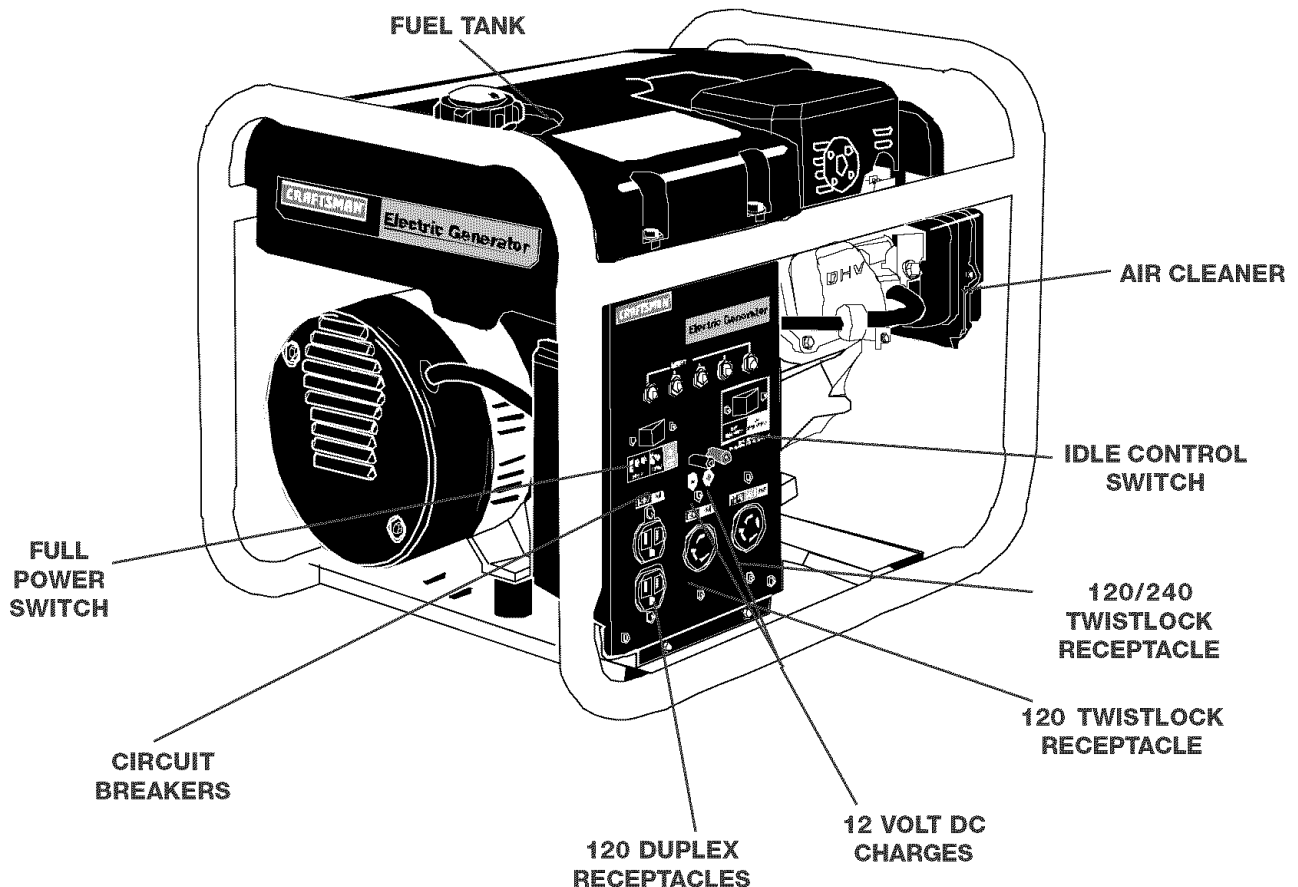
120/240 VOLT TWISTLOCK RECEPTACLE- Used to supply 1800 watts of electrical power for 120 volt operations and for 240 volt operation 3750. Will only supply 1875 watts each if both receptacles are being used. Protected by 15 amp circuit breaker.

120 VOLT TWISTLOCK RECEPTACLE- Used to supply 1800 watts of power per receptacle protected by a 15 amp circuit breaker.

AIR CLEANER- Includes filter element and foam pre-cleaner that limits the amount of dirt that enters the engine.

FULL POWER SWITCH - Switch used to convert every receptacle on the panel, when placed in the 120 position, to a 120 volt receptacle. This will allow you to receive the full capacity of the generator by using all 120 volt receptacles. When in the 120/240 position, you will only be able to use half of the 3750 watts when using the 120 volt receptacles. But in this position, the full 3750 watts can be received in the 240 twistlock receptacle.

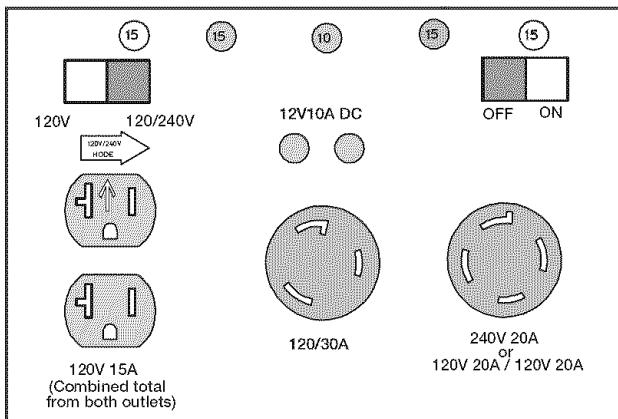
IDLE CONTROL SWITCH- When on, allows the engine to run at a lower speed when there is no load on the generator.



RECEPTACLES

Your generator is equipped with duplex 120 volt receptacle a 120 twistlock and a 120/240 volt twistlock receptacle.

The unit is also equipped with a 15 amp circuit breaker for the duplex 120 volt receptacles, a 15 amp circuit breaker for the 120 volt twistlock receptacle and a 15 amp circuit breaker for the 120/240 volt twistlock receptacle. If the circuit breaker trips, unplug all electrical loads from the generator. Let the circuit breaker cool down. Push circuit breaker button to reset.

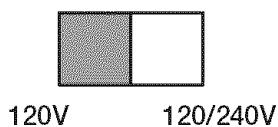


FULL POWER SWITCH

Your Craftsman generator has a full power switch on the control panel. This switch has two positions: 120 VOLT ONLY, and 120/240 VOLT.

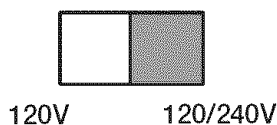
120 Position

When placed in the 120 position, (Shown below) every receptacle on the panel will be converted to a 120 volt receptacle. 240-volt power is not available. This position allows full capacity of the generator to be received by using all 120-volt receptacles. While in the 120 position, each receptacle has the ability to reach the maximum 4650 surge wattage for inductive motors that require 4650 watts or below to start.



120/240 Position

When in the 120/240 position, (Shown Below) only half of the 3750 watts can be received when using the 120-volt receptacles and the 120/240-volt twistlock receptacle will be converted to allow the full 3750 watts to be received from this one receptacle. Also in this position, the 120-volt receptacles will only reach a maximum of 4650 surge watts.



GENERATOR CAPACITY

Exceeding the rated capacity of your generator can result in serious damage to your generator and connected electrical devices. You should observe the following to prevent overloading the unit:

- Starting and running wattage requirements must be calculated to match your generator wattage capacity.
- Resistive load appliances such as light bulbs, TV's and microwaves, have the same starting and running wattage. The wattage used for calculating the capacity can usually be found on each of these appliances.

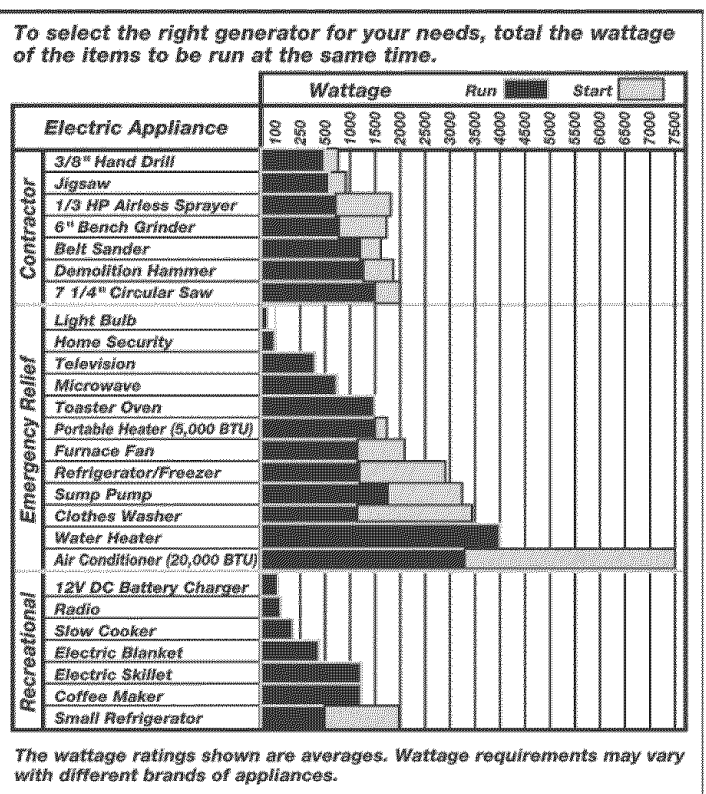
Some inductive appliances and tools will list on the motor name plate, the starting and running voltage and amperage requirements. Use the following formula to convert voltage and amperage to wattage:

$$\text{(Volts X Amp = Watts)}$$

Inductive load appliances and tools such as refrigerators, air compressors and washers require approximately 2 to 4 times the listed running wattage for starting the equipment. This initial load only lasts for a few seconds on start-up but is very important when figuring your total wattage to be used.

NOTE: Always start your largest electric motor first, and then plug in other items, one at a time.

The guide below is provided to assist you in determining the appliances and tools that can be ran with the wattage capacity of your generator.



OBTAINING ELECTRICITY FROM GENERATOR

There are basically two ways to obtain electricity from a generator:

- Use of extension cords directly from the generator to the appliance, lights, tools, etc.
- Use of a double-throw transfer switch installed directly to the main electrical supply outside of the house.

Extension Cord

When using an appliance or tool at a considerable distance from the generator, a 3-wire extension cord that has a 3-blade grounding plug and 3-slot receptacle that accepts the tool's plug should be used. A cord of adequate size must be used. A minimum of 12 gauge wire size with at least a 20 amp draw can be used. When amperage exceeds 20 amps a 10 gauge wire size should be used.

Connecting Generator To Main Electrical Supply

Potential hazards exist when a electrical generator is connected to the main electrical supply coming into the house. It is at that point that the generator could feed back into the utility company's system causing possible electrocution of workers who are repairing electrical lines. To avoid back feeding of electricity into utility systems, a **double-throw transfer switch** should be installed between the generator and utility power. This device should be installed by a licensed electrician and in compliance with all local electrical codes.

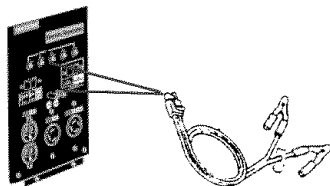
NOTE: When installing a Double-Throw Transfer Switch, a minimum of 10 gauge wiring must be used.

CHARGING A BATTERY

IMPORTANT: Always use safety glasses, rubber gloves and protective clothing while charging battery.

Your generator has the capability of recharging a 12-volt storage or automotive battery. To recharge a 12-volt battery, proceed as follows:

- First, check the fluid level in all of the battery cells. Add **distilled** water if necessary. **Do not use tap water.**
- Clean battery posts if necessary.
- Connect battery charge cables to panel receptacle.



- Connect the battery charge cable with the red handle to the battery post indicated by POS or (+).
- Connect the battery charge cable with the black handle to the battery post indicated by NEG or (-).

- Start the engine. Let it run while the battery charges.
- When the battery is fully charged, stop the engine and disconnect the battery charge cables from the panel and battery. Batteries should not be charged when the unit is unattended.

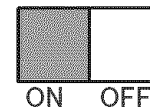
NOTE: Do not use the unit to charge any 6-volt batteries. Do not use the unit to crank an engine having a discharged battery.

BEFORE STARTING ENGINE

CAUTION: Always check engine oil level before every start. Running engine low of oil or out of oil could result in serious damage to the engine.

Automatic Idle Control

The automatic idle control switch, when in the ON position, allows the engine to run at lower speed when there is no load on the generator. This will lower the engine noise, save on fuel consumption and engine life. When in the OFF position the engine will run at 3600 RPM's continuous with or without a load.

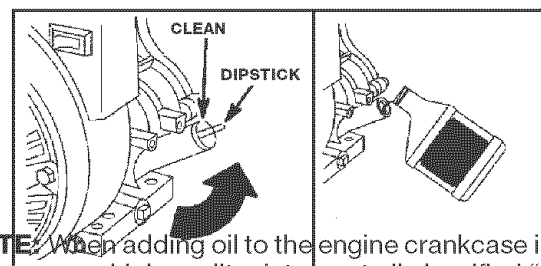


IDLE CONTROL

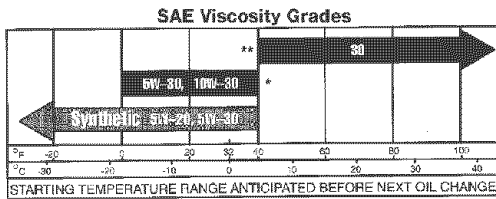
NOTE: The idle control must be in the OFF position when operating large motor loads (Refrigerators, freezers, etc.) or voltage sensitive electronic equipment (TV, computers, etc.)

Engine Oil

Your unit has been shipped without oil in the engine. A bottle of SAE 30 weight oil is included in the carton. Remove oil dip stick located on the side of engine. The oil dip stick is clearly marked with a line that tells you when unit has enough oil. Do not fill above this point. Pour slowly.



NOTE: When adding oil to the engine crankcase in the future, use a high quality detergent oil classified "For Service SF, SG, SH" rated SAE 30 weight. Use no special additives. Select the oil's viscosity grade according to you expected operating temperatures.



Air cooled engines run hotter than automotive engines. The use of multi-viscosity oil such as (10W-30, etc.) in ambient temperatures above 40°F (4°C) will result in higher than normal oil consumption. If multi-viscosity oil is used, check the oil level more frequently to prevent any possible engine damage due to lack of lubrication.

Use of SAE30 oil below 40°F (4°C) will result in hard starting and possible engine damage due to inadequate lubrication.

Low Oil Shutdown

Your Craftsman generator engine is equipped with Low Oil Shutdown. Low Oil Shutdown is a safety device designed to protect your engine from damage in the event the oil level in the crankcase is low.

If while the engine is running, the oil gets low, it will automatically shut itself down and will not restart until the oil is added. If the oil is low before start-up, the generator will not start until oil is added.

NOTE: The Low Oil Shutdown mechanism is very sensitive. You must fill the engine to the full mark on the dipstick to inactivate this safety device.

Gasoline

Your generator engine is 4 cycle. Use unleaded fuel only. Never mix oil with gasoline.

CAUTION: Never fill fuel tank completely. Fill tank to 1/2" below the bottom of the filler neck to provide space for fuel expansion. Wipe any fuel spillage from engine and equipment before starting engine.

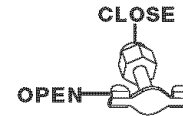
WARNING: Never fill fuel tank indoors. Never fill fuel tank when engine is running or hot. Do not smoke when filling fuel tank.

Use clean, fresh, regular unleaded gasoline with a minimum of 85 octane. Do not mix oil with gasoline. If unleaded fuel is not available, leaded fuel may be used.

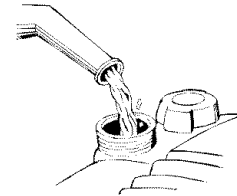
To Start Your Generator

CAUTION: Never run engine indoors or in enclosed, poor ventilated areas, engine exhaust contains carbon monoxide, an odorless and deadly gas.

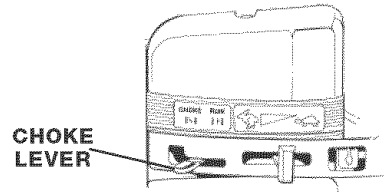
Make sure the fuel shutoff valve is turned to the open position.



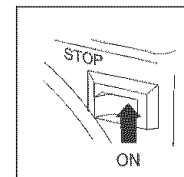
- Remove gas cap
- Add unleaded gasoline, slowly, to fuel tank.
- Do not overfill.



- On the engine there is a choke/run lever. Place lever to the choke position.



- Throttle is factory set.



- Grasp the starter grip and pull slowly until resistance is felt, then pull firmly to start engine.
- When engine starts, gradually move choke lever to RUN position.
- If engine does not start after 5 pulls, place choke back to run position.
- For hot engine starts make sure choke lever is in the run position. Make sure fuel shut off valve is open.

Connecting Electrical Loads

- Let engine run and warm up for about five minutes after starting.
- Plug in the desired 120 or 240 volts tools.
- DO NOT connect 240 volt equipment to the 120 volt duplex receptacles.
- DO NOT connect 3-phase loads to the panel receptacles.

IMPORTANT: You should always add up the rated watts of all lights, tools and appliances you are powering at one time. This total should not exceed the rated capacity of your generator or circuit breaker rating of the receptacle supplying power.

Stopping The Engine

- Disconnect all electrical loads.
- Switch the start/off switch to the off position.

IMPORTANT: Never store engine with fuel in tank, indoors, or in enclosed, poorly ventilated areas or where fuel fumes may reach an open flame.

MAINTENANCE

CUSTOMER RESPONSIBILITIES TABLE

	Before each use	Every 25 Hours of Every Season	Every 50 Hours of Every Season	Every 100 Hours of Every Season
MAINTNENANCE TASK				
Check oil level	X	See Note 2		
Change oil		X	See Note 1	
Clean Air Filter Assembly		X		
Check Spark Plug		X		X
Prepare Unit for Storage	Prepare unit for storage if it is to remain idle for more than 30 days.			

Note 1: Change oil after first two (2) operating hours and every 50 operating hours thereafter, more often if operated in extreme dusty or dirty conditions.

Note 2: Check oil after 5 hours of operation (See page 14 - ENGINE MAINTENANCE - Changing Engine Oil.)

GENERAL RECOMMENDATIONS

The warranty of the generator does not cover items that have been subjected to operator abuse or negligence. To receive full value from the warranty, operator must maintain the generator as instructed in this manual.

Some adjustments will need to be made periodically to maintaining your generator.

GENERATOR MAINTENANCE

Your generator should be kept clean and dry at all times. The generator should not be stored or operated in environments that includes excessive moisture, dust or any corrosive vapors. If these substances are on the generator, clean with a cloth or soft bristle brush. Do not use a garden hose or anything with water pressure to clean the generator. Water may enter the cooling air slots and could possibly damage the rotor, stator and the internal windings of the gen head.

All adjustments in the Maintenance section of this manual should be made at least once each season.

ENGINE MAINTENANCE

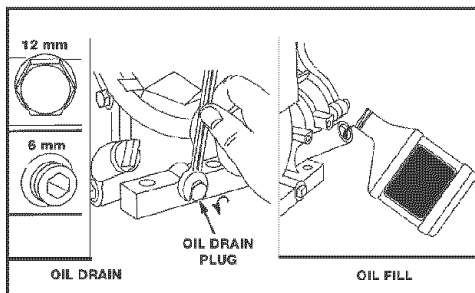
Changing Engine Oil

For a new engine, change oil after the first **5 hours** of operation. Thereafter, change oil after every **50 hours** of operation.

Change the oil while the engine is still warm. The oil will flow freely and carry away more impurities. Make sure the engine is level when filling, checking, or changing oil.

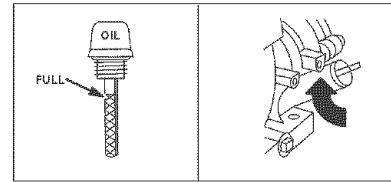
Change the oil as follows:

- To keep dirt, grass clippings, etc., out of the engine, clean the area around the drain plug and dipstick before removing it.
- Remove the oil drain plug and dipstick. Tilt the engine slightly towards the oil drain to obtain better drainage. Be sure to allow ample time for complete drainage.



- Reinstall the drain plug. Make sure it is tightened securely.
- Fill the crankcase with new oil of the proper type, to the Full mark on the dipstick. Always check the level with the dipstick before adding more oil.

- Reinstall the oil fill cap or plug and tighten securely.



Service Air Cleaner

NOTE: Do not use petroleum solvents, e.g., kerosene, which will cause the cartridge to deteriorate. Do not use pressurized air to clean cartridge. Pressurized air can damage the cartridge.

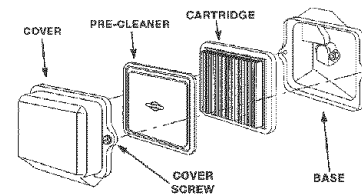
To service air cleaner follow these steps:

1. Unscrew cover screws. Remove cover and air cleaner assembly.
2. Remove cartridge from cover, then retainer (if equipped) and pre-cleaner.

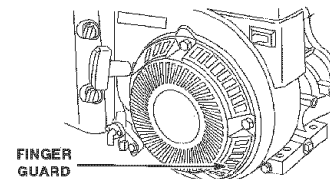
To service pre-cleaner, wash in liquid detergent and water. Squeeze dry in a clean cloth. Saturate in engine oil. Squeeze in clean, absorbent cloth to remove all **excess** oil. Replace if very dirty or damaged.

To service cartridge, clean by tapping gently on a flat surface. Do not oil cartridge. Replace if dirty or damaged.

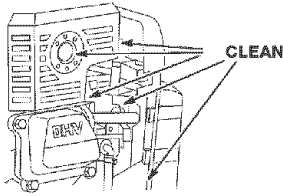
3. Reassemble pre-cleaner or retainer (if equipped.) Place in cover with pre-cleaner mesh side toward cartridge. Place cartridge in retainer in cover.
4. Push cover and air cleaner assembly squarely onto base (tabs must be in slots, if equipped) and hold firmly. Tighten cover screws securely.



Do not clean engine with a forceful spray of water because water could contaminate fuel system. With a brush or cloth clean finger guard after every use to prevent engine damage caused by overheating.

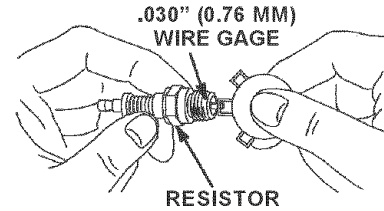


Before running engine, clean muffler area to remove all combustible debris.



Clean and Replace Spark Plug

Change the spark plug every 100 hours of operation or once each year, whichever comes first. This will help your engine to start easier and run better.



SERVICE ADJUSTMENTS

Carburetor

The carburetor of your generator is pre-set at the factory. The carburetor should not be tampered with. If your generator is used at an altitude in excess of 4000 feet performance may be affected. If so consult with your nearest Sears Service Center regarding high altitude set changes.

Governor

Your engine governor maintains the constant operating speed of your generator. **DO NOT** tamper with the engine governor which is factory set for proper engine speed.

Over-speeding your engine above factory high speed setting can be dangerous and could possibly cause personal injury or property damage. If you believe the engine is running too fast or slow, take your generator to a Authorized Sears Service Center for repair and adjustment.

CAUTION: Low engine speeds impose a heavy load on the engine and when sufficient power is not available the engine life could be shorten.

STORAGE

If you are going to store your generator for more than 30 days, use the following information as a guide to prepare the generator for storage.

STORAGE INSTRUCTIONS

CAUTION: Never store generator with fuel in the tank indoors or in enclosed, poorly ventilated areas, where fumes can reach an open flame, spark or pilot light as on a furnace, water heater, clothes dryer or other gas appliances.

Engine Preparation

- Add fuel stabilizer to fuel tank to minimize the formation of fuel gum deposits during storage.
- Run engine at least 10 minutes after adding stabilizer to allow it to enter the fuel system.
- Next shut off engine.

- Disconnect the spark plug wire and remove the spark plug.
- Add one teaspoon of oil through the spark plug hole.
- Place rag over spark plug hole and pull the recoil a few times to lubricate the combustion chamber.
- Replace the spark plug, but do not connect the spark plug wire.

NOTE: If a fuel stabilizer is not used, all gasoline must be drained from the tank and carburetor to prevent gum deposits from forming on these parts and causing possible malfunction of the engine.

Generator

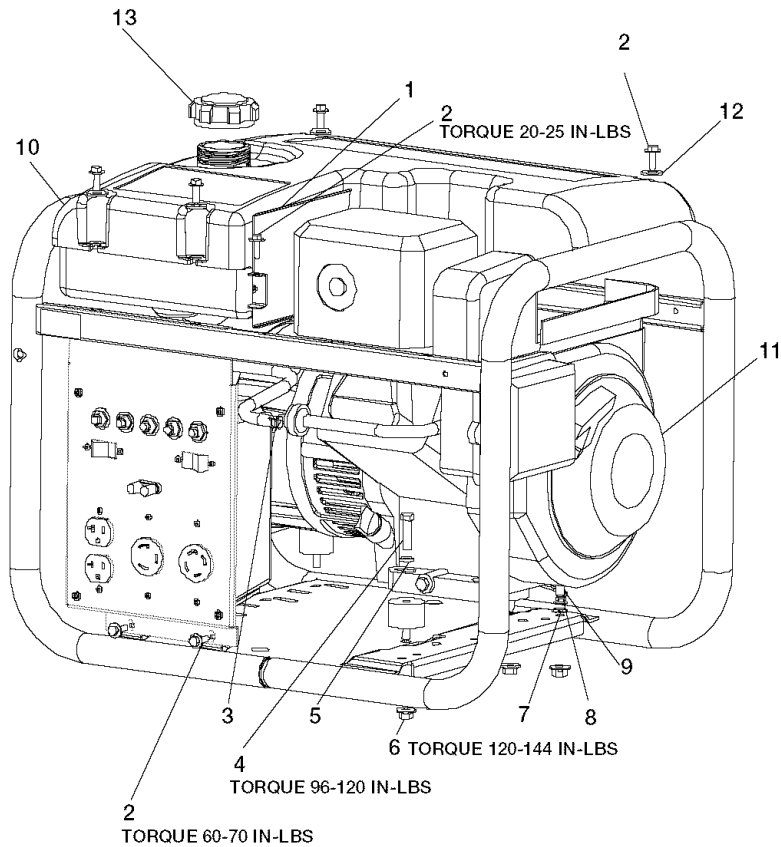
- Clean the generator as outlined on Page 14 (Generator Maintenance)
- Check that cooling air slots and openings on generator are open and unobstructed.

TROUBLESHOOTING GUIDE

PROBLEM	CAUSE	CORRECTION
<i>Engine will not start</i>	<ol style="list-style-type: none"> 1. Low on fuel or oil. 2. Ignition switch in "Off" position. 3. Faulty spark plug. 4. Choke in wrong position. 5. Fuel shut-off valve in closed position. 6. Unit loaded during start-up. 7. Spark plug wire loose. 	<ol style="list-style-type: none"> 1. Add fuel or oil. 2. Turn to "ON" position 3. Replace spark plug. 4. Adjust choke accordingly. 5. Open fuel shut-off valve. 6. Remove load from unit. 7. Attach wire to spark plug.
<i>No electrical output</i>	<ol style="list-style-type: none"> 1. Faulty receptacle. 2. Circuit breaker kicked out. 3. Defective capacitor. 4. Faulty power cord. 5. GFCI switch breaker kicked out (if equipped) 	<ol style="list-style-type: none"> 1. Have Service Center replace. 2. Depress and reset. 3. Have Service Center replace capacitor. 4. Repair or replace cord. 5. Depress and reset
<i>Repeated circuit breaker tripping</i>	<ol style="list-style-type: none"> 1. Overload 2. Faulty cords or equipment. 	<ol style="list-style-type: none"> 1. Reduce load. 2. Check for damaged, bare, or frayed wires on equipment. Replace.
<i>Generator overheating</i>	<ol style="list-style-type: none"> 1. Generator overloaded. 2. Insufficient ventilation. 	<ol style="list-style-type: none"> 1. Reduce load. 2. Move to adequate supply of fresh air.
<i>No auto idle</i>	<ol style="list-style-type: none"> 1. Faulty solenoid 2. Faulty idle control switch 3. Faulty windings in stator 4. Faulty circuit board 5. Faulty wire harness 	<ol style="list-style-type: none"> 1. Have Service Center replace. 2. Have Service Center replace. 3. Have Service Center replace. 4. Have Service Center replace. 5. Have Service Center replace
<i>DC does not have power with the circuit breaker depressed</i>	<ol style="list-style-type: none"> 1. Faulty rectifier 2. Faulty windings in stator 3. Faulty wire harness 	<ol style="list-style-type: none"> 1. Have Service Center replace. 2. Have Service Center replace. 3. Have Service Center replace.

GENERATOR PARTS

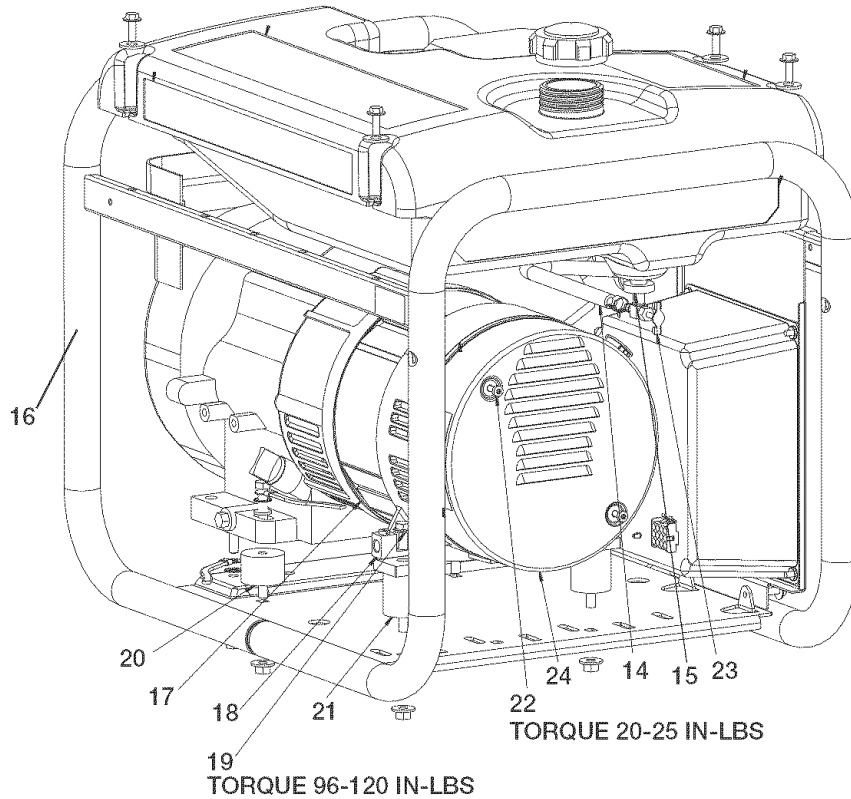
CRAFTSMAN 3750 WATT GENERATOR 919.679370



KEY NO.	DESCRIPTION	PART NUMBER
1	HEAT SHIELD	GS-816
2	SCREW, 1/4-20 x .75	91895680
3	FUEL CLAMP	GS-0227
4	SCREW, 5/16-18 X 1.25	SSF-605
5	WASHER	SSN-60-ZN
6	NUT, HEX WIZ LOCK	SSF-8150
7	WASHER, LOCK	SSN-1619-ZN
8	GROUND STRAP	GS-0118
9	CAP SCREW, 5/16-18 X 3/4	SS-12-SD
10	FUEL TANK (4 GALLON)	GS-0650
11	ENGINE	GS-0665
12	WASHER, .875 OD .35 ID .083 THK	SSN-632
13	FUEL TANK CAP	GS-0443

GENERATOR PARTS

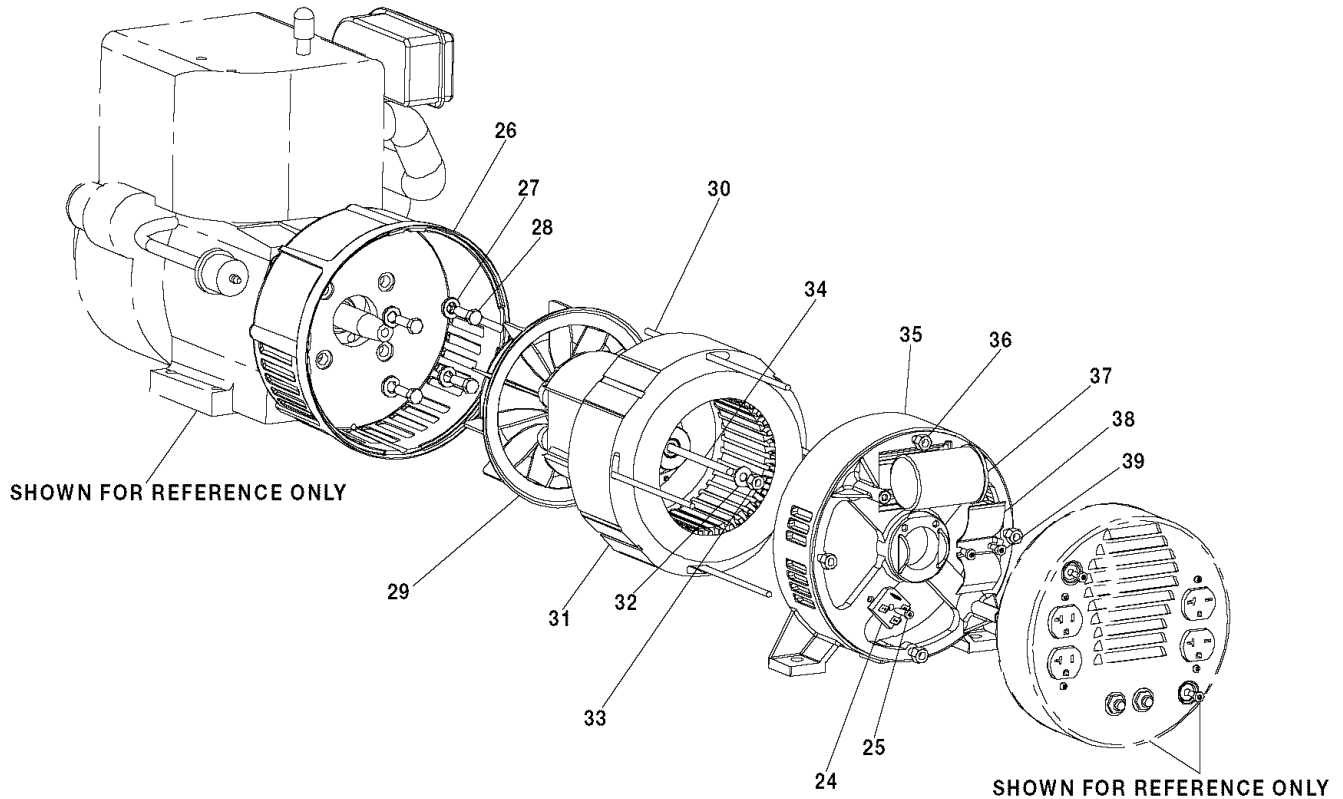
CRAFTSMAN 3750 WATT GENERATOR 919.679370



14	FUEL HOSE	GS-0225
15	DRAIN COCK GROMMET	GS-0446
16	FRAME ASSEMBLY	GS-0611
17	GENERATOR ASSEMBLY	GS-0672
18	GROUND LUG	GS-0117
19	SCREW, HEX WASHER, UNSLOTTED	SSF-928
20	VIBRATION ISOLATOR	GS-0033
21	VIBRATION ISOLATOR	GS-0433
22	SCREW, 10-24 x 9/16	SSF-553-1
23	DRAIN COCK	GS-0437
24	END COVER	GS-0077

GENERATOR PARTS

CRAFTSMAN 3750 WATT GENERATOR 919.679370



**KEY
NO.**

DESCRIPTION

PART NUMBER

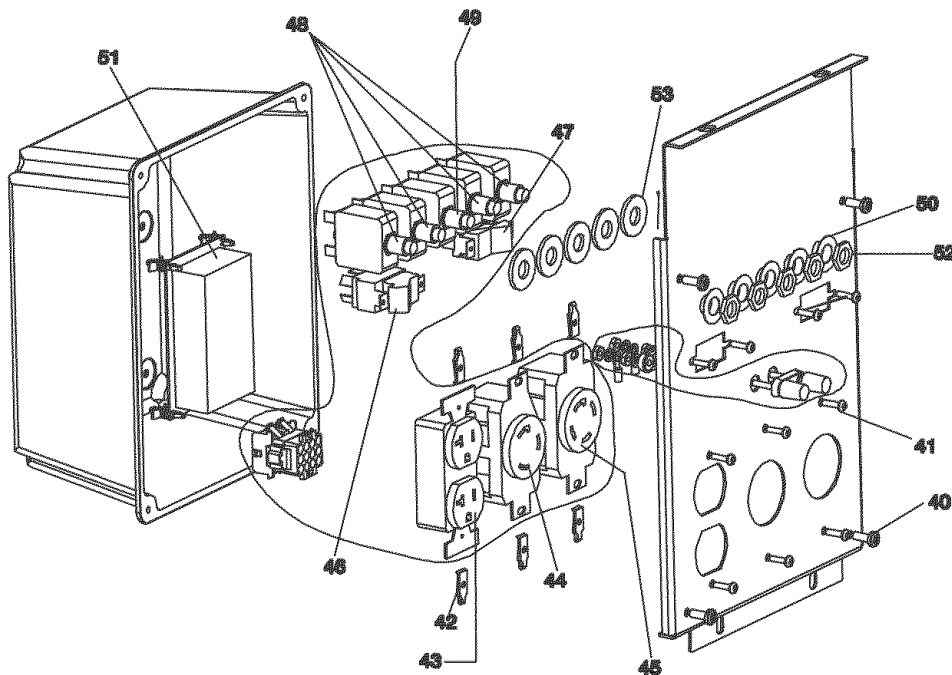
24	RECTIFIER	GS-0767
25	SCREW, 10-24 X .75 T25 TORX	SSF-3158-1
26	DRIVE END ADAPTER	GS-0830
27	LOCK WASHER 3/8	SSN-619
28	CAP SCREW, 3/8-16 X 1	SSF-577
29	ROTOR ASSEMBLY	GS-0588
30	STATOR THRU BOLT	GS-0110
31	STATOR ASSEMBLY	GS-0673
32	WASHER 11/16 OD X 11/32	SS-6506-CD
33	NUT, 5/16-24	SSF-576
34	ROTOR THRU BOLT	GS-0091-1
35	BEARING SUPPORT	GS-0793
36	HEX NUT 1/4-20	SSF-575
37	CAPACITOR	GS-0748
38	CAPACITOR BRACKET	GS-0595
39	SCREW 10-32	SSF-553-1

ITEMS NOT SHOWN

*Diode(s) — GS-0082

GENERATOR PARTS

CRAFTSMAN 3750 WATT GENERATOR 919.679370



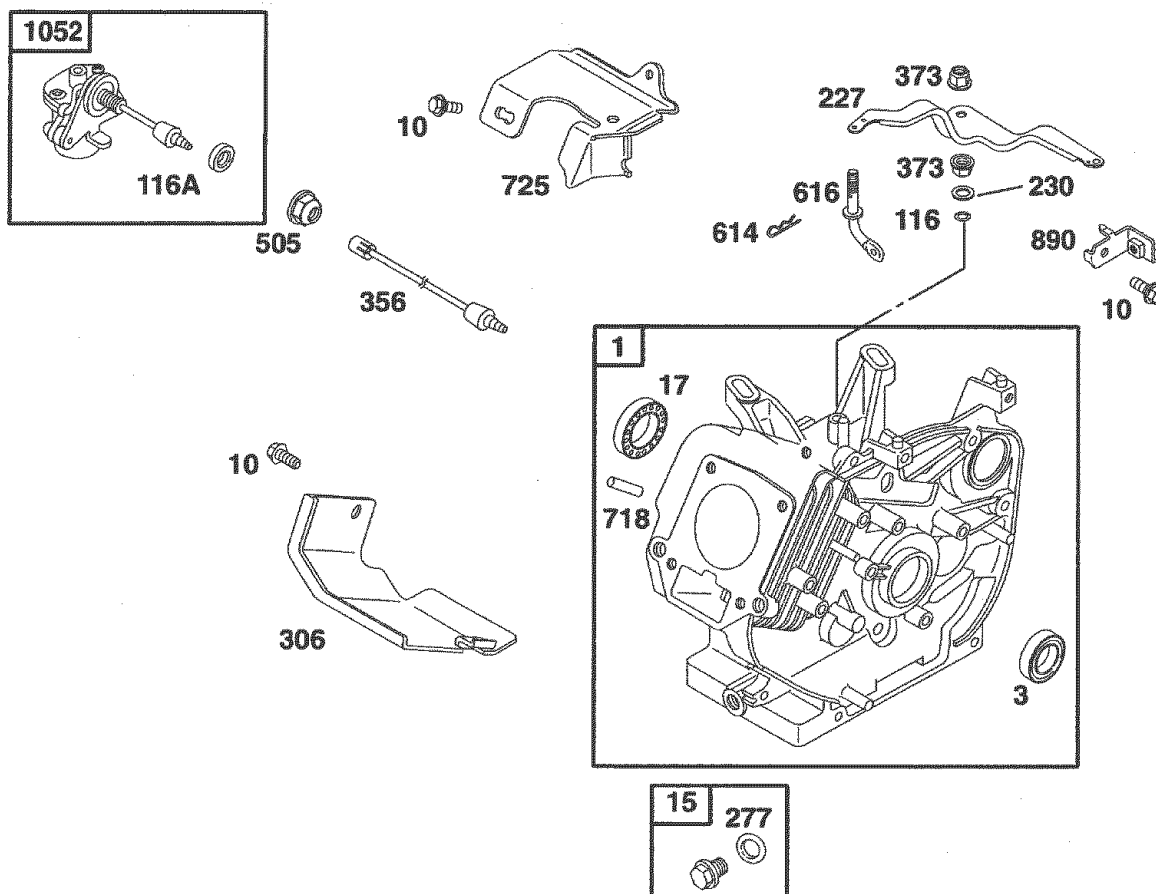
<u>KEY NO.</u>	<u>DESCRIPTION</u>	<u>PART NUMBER</u>
40	SCREW, 10-9 x .50 PLASTITE	SSF-3156
41	SCREW, #6-32 X .5 TORX	SSF-583
42	SPEED NUT #6-32	SSF-584
43	RECEPTACLE, 120V DUPLEX	GS-0804
44	RECEPTACLE, 3 PRONG TWISTLOCK	GS-0021
45	RECEPTACLE, 4 PRONG TWISTLOCK	GS-0445
46	FULL POWER SWITCH	GS-0045
47	IDLE CONTROL SWITCH	GS-0679
48	15A CIRCUIT BREAKER	GS-0024
49	10A CIRCUIT BREAKER	GS-0681
50	SWITCH FACE PLATE	GS-0207
51	CIRCUIT BOARD FOR IDLE CONTROL SWITCH	GS-0663
52	JAM NUT 7/16	SSF-595
53	WASHER 3/8	SS-1525-CD
*	RESISTOR ASSY. D.C. SHUNT	GS-0835

**Not Shown*

ENGINE PARTS

CRAFTSMAN 3750 WATT GENERATOR 919.679370

ENGINE NUMBER 138432-0035-A1



REF. NO.	PART NO.	DESCRIPTION	REF. NO.	PART NO.	DESCRIPTION	REF. NO.	PART NO.	DESCRIPTION
1	715461	Cylinder Assembly	10	710023	Screw-Hex	373	710059	Nut-Lock
3	●710000	Seal-Oil	15	715000	Plug-Oil Drain	505	710090	Nut-Lock
			17	710003	Bearing-Ball	614	710056	Pin-Retainer
			116	●710055	Seal-O-Ring	616	710636	Crank-Governor
			116A	●710091	Seal-O-Ring	718	710005	Pin-Locating
			227	710051	Lever-Governor	725	710102	Shield-Heat
			230	●710058	Washer-Spacer	890	715136	Bracket-Support
			277	710004	Washer-Seal	1019	715031	Label Kit
			306	710063	Shield-Cylinder	1052	715353	Sensor-Oil
			356	710308	Wire-Oil Sensor	1058	273126	Owner's Manual

●Included in Gasket Set-Part No. 715482

★Included in Valve Overhaul Kit-Part No. 715483

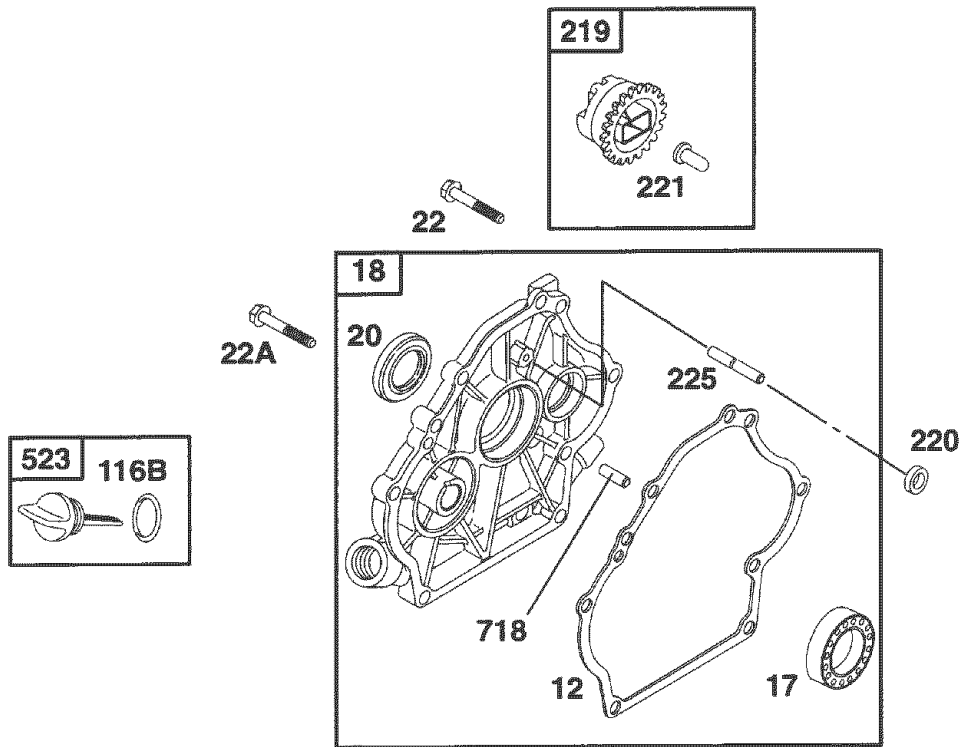
▲Included in Carburetor Kit-Part No. 715484

♣Included in Gasket Gasket Set -Part No. 715485

ENGINE PARTS

CRAFTSMAN 3750 WATT GENERATOR 919.679370

ENGINE NUMBER 138432-0035-A1



REF. NO.	PART NO.	DESCRIPTION	REF. NO.	PART NO.	DESCRIPTION	REF. NO.	PART NO.	DESCRIPTION
12	● 710628	Gasket-Crankcase	22A	710306	Screw-Hex	221	710027	Cup-Governor
17	710003	Bearing-Ball	116B	● 710029	Seal-O-Ring	225	710028	Shaft-Governor Gear
18	715463	Cover-Crankcase	219	715341	Gear-Governor	523	715007	Dipstick
20	● 710215	Seal-Oil	220	710035	Washer-Spacer	718	710005	Pin-Locating
22	710032	Screw-Hex.						

● Included in Gasket Set-Part No. 715482

★ Included in Valve Overhaul Kit-Part No. 715483

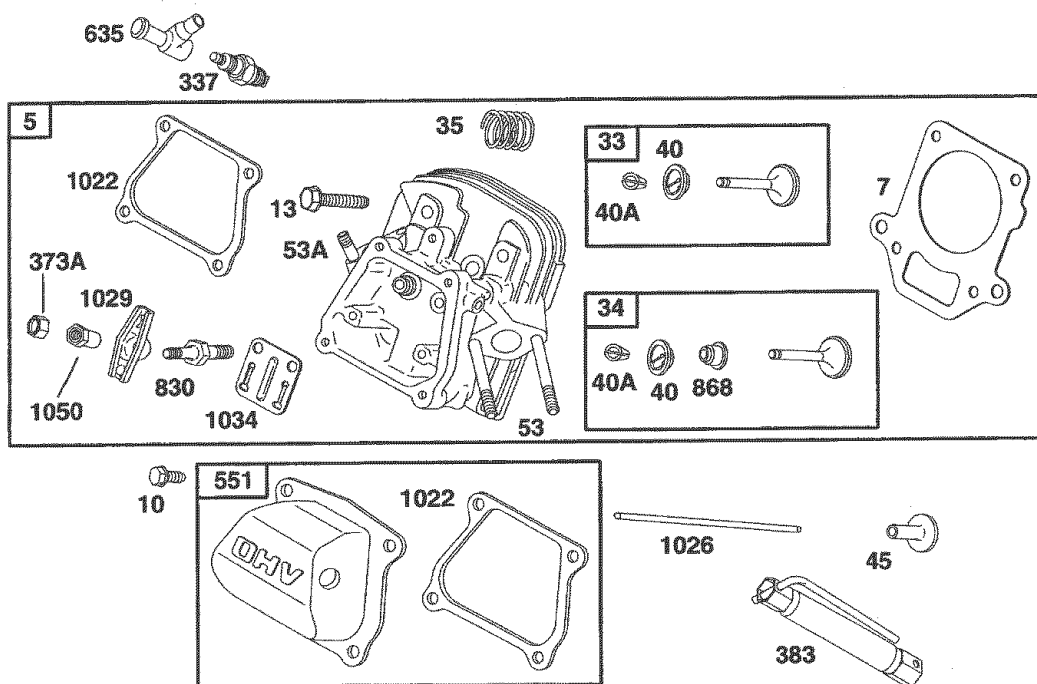
▲ Included in Carburetor Kit-Part No. 715484

‡ Included in Gasket Gasket Set -Part No. 715485

ENGINE PARTS

CRAFTSMAN 3750 WATT GENERATOR 919.679370

ENGINE NUMBER 138432-0035-A1



REF. NO.	PART NO.	DESCRIPTION	REF. NO.	PART NO.	DESCRIPTION	REF. NO.	PART NO.	DESCRIPTION
5	715444	Head-Cylinder	45	710008	Tappet-Valve	635	710634	Boot-Spark Plug
7	★710624	Gasket-Cylinder Head	53	710148	Stud-Carburetor Mounting	830	710016	Stud-Rocker Arm
10	710023	Screw-Hex	53A	710099	Stud (Muffler Mounting)	868	★710019	Seal-Valve
13	710020	Screw-Hex				1022	★710626	Gasket-Rocker Cover
33	715445	Valve-Exhaust	337	491055	Plug-Spark	1026	710622	Rod-Push
34	715446	Valve-Intake	373A	710007	Nut-Lock	1029	710014	Arm-Rocker
35	710011	Spring-Valve	383	19374	Wrench-Spark Plug	1034	710017	Guide-Push Rod
40	710012	Retainer-Valve	551	715450	Cover-Rocker	1050	710015	Adjuster-Rocker Arm
40A	715130	Retainer-Valve						

●Included in Gasket Set-Part No. 715482

★Included in Valve Overhaul Kit-Part No. 715483

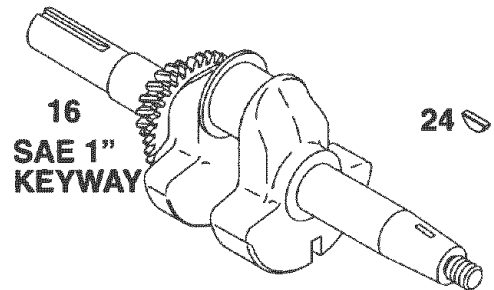
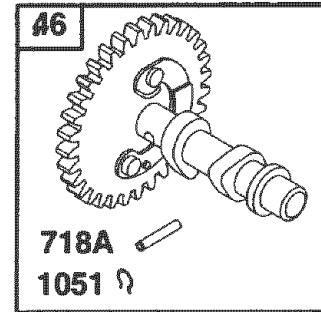
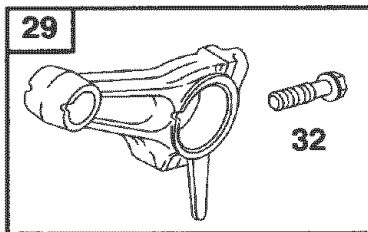
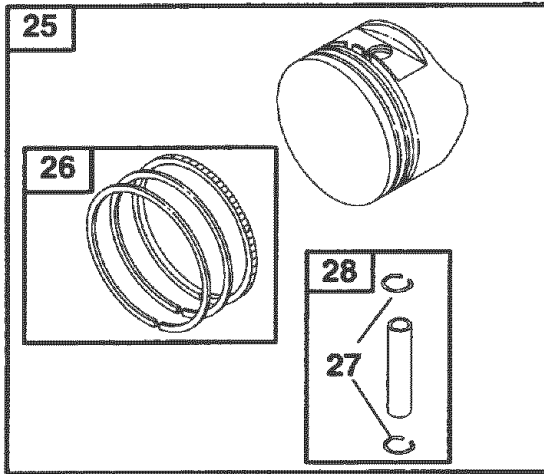
▲Included in Carburetor Kit-Part No. 715484

‡Included in Gasket Gasket Set -Part No. 715485

ENGINE PARTS

CRAFTSMAN 3750 WATT GENERATOR 919.679370

ENGINE NUMBER 138432-0035-A1



REF. NO.	PART NO.	DESCRIPTION	REF. NO.	PART NO.	DESCRIPTION	REF. NO.	PART NO.	DESCRIPTION
16	715426	Crankshaft Used on Type No(s). 0035, 0084	25	715456	Piston Assy. (Standard)	27	710040	Lock-Piston Pin
				715457	Piston Assy. (.010" O.S.)	28	715455	Pin-Piston Std.
				715448	Piston Assy. (.020" O.S.)	29	715427	Rod-Connecting (Standard)
			26	715452	Ring Set (Standard)		715502	Rod-Connecting (.020" Undersize)
				715453	Ring Set (.010" O.S.)	32	710041	Screw-Connecting Rod
				715454	Ring Set (.010" O.S.)	46	715451	Gear-Cam
						718A	710616	Pin-Compression
						1051	710039	Ring-Retaining

● Included in Gasket Set-Part No. 715482

★ Included in Valve Overhaul Kit-Part No. 715483

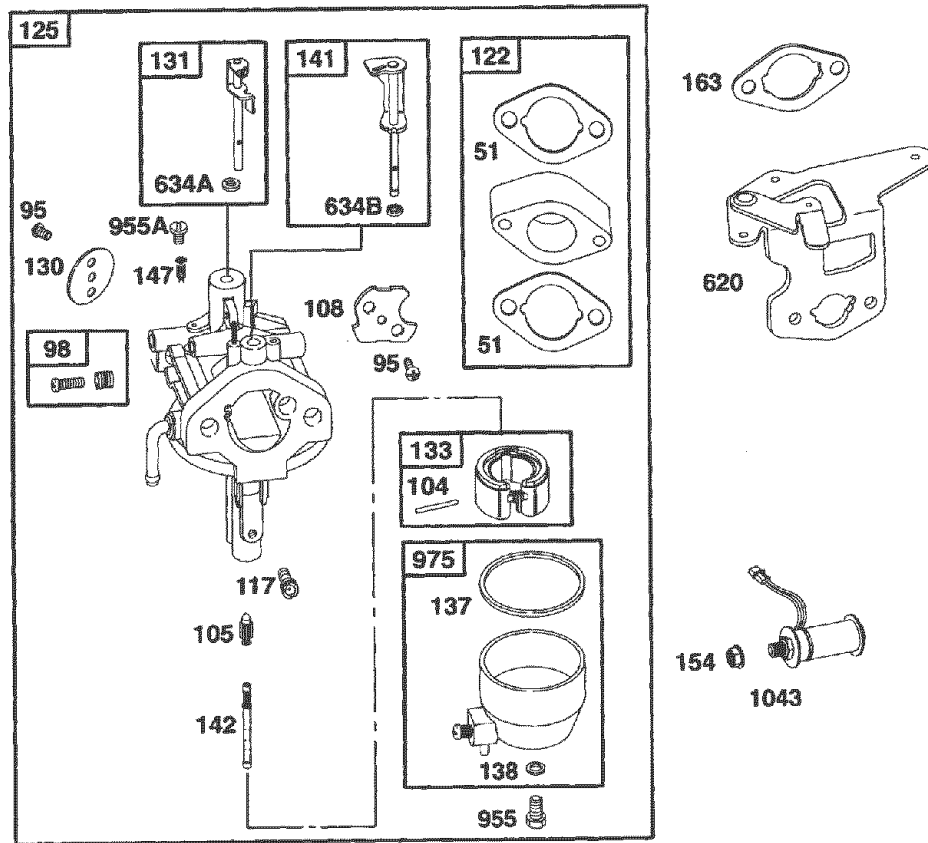
▲ Included in Carburetor Kit-Part No. 715484

✦ Included in Gasket Gasket Set -Part No. 715485

ENGINE PARTS

CRAFTSMAN 3750 WATT GENERATOR 919.679370

ENGINE NUMBER 138432-0035-A1



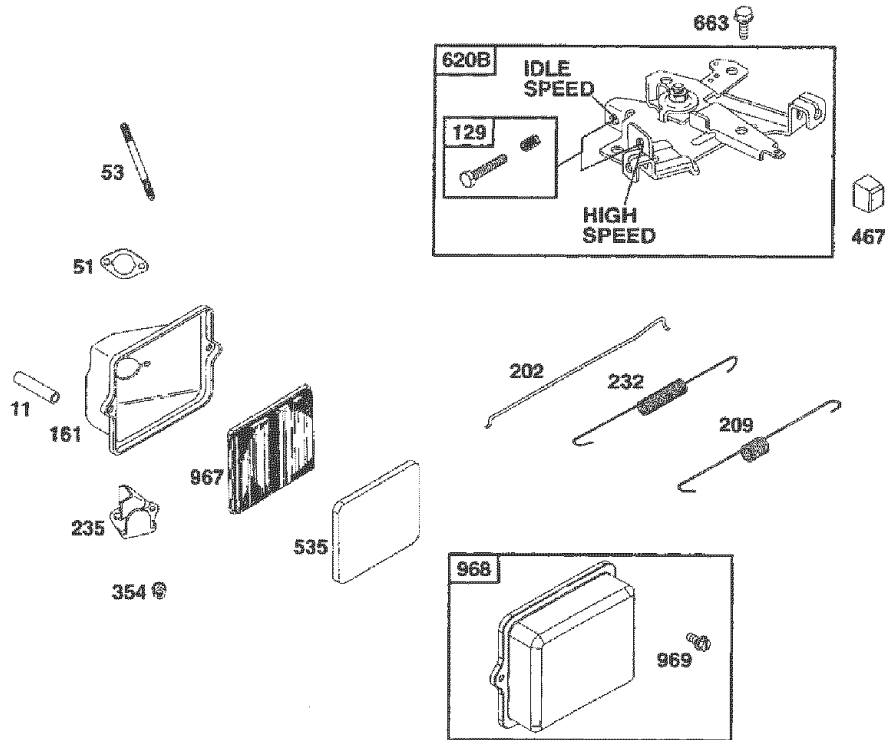
REF. NO.	PART NO.	DESCRIPTION	REF. NO.	PART NO.	DESCRIPTION	REF. NO.	PART NO.	DESCRIPTION
51	●★▲‡710060	Gasket-Intake	130	710671	Valve-Throttle	634A	●	Seal-Throttle Shaft (Sold in Kit Only)
95	710672	Screw-Round Head	131	715480	Shaft-Throttle	634B	●	Bushing-Choke Shaft (Sold in Kit Only)
98	715478	Screw-Idle Speed	133	715477	Float-Carburetor	955	710667	Screw-Bowl Mounting
104	● 710663	Pin-Float	137	● ‡	Gasket-Float Bowl (Sold in Kit Only)	955A	710679	Plug-Carburetor
105	● 710661	Valve-Needle	138	● ‡	Washer (Sold in Kit Only)	975	715476	Bowl-Float
108	710674	Valve-Choke	141	715479	Choke Shaft Kit			
117	● 710665	Jet-Main	142	● 710664	Nozzle-Carburetor			
		- NOTE -	147	● 710675	Jet-Pilot			
122	715034	Spacer-Carburetor			- NOTE -			
125	715473	Carburetor		710720	Jet-Pilot (High Altitude)			
			154	710081	Nut-Hex			
			163	●★▲‡710639	Gasket-Air Cleaner			
			620	710635	Bracket-Control			

- Included in Gasket Set-Part No. 715482
- ★Included in Valve Overhaul Kit-Part No. 715483
- ▲Included in Carburetor Kit-Part No. 715484
- ‡Included in Gasket Gasket Set -Part No. 715485

ENGINE PARTS

CRAFTSMAN 3750 WATT GENERATOR 919.679370

ENGINE NUMBER 138432-0035-A1



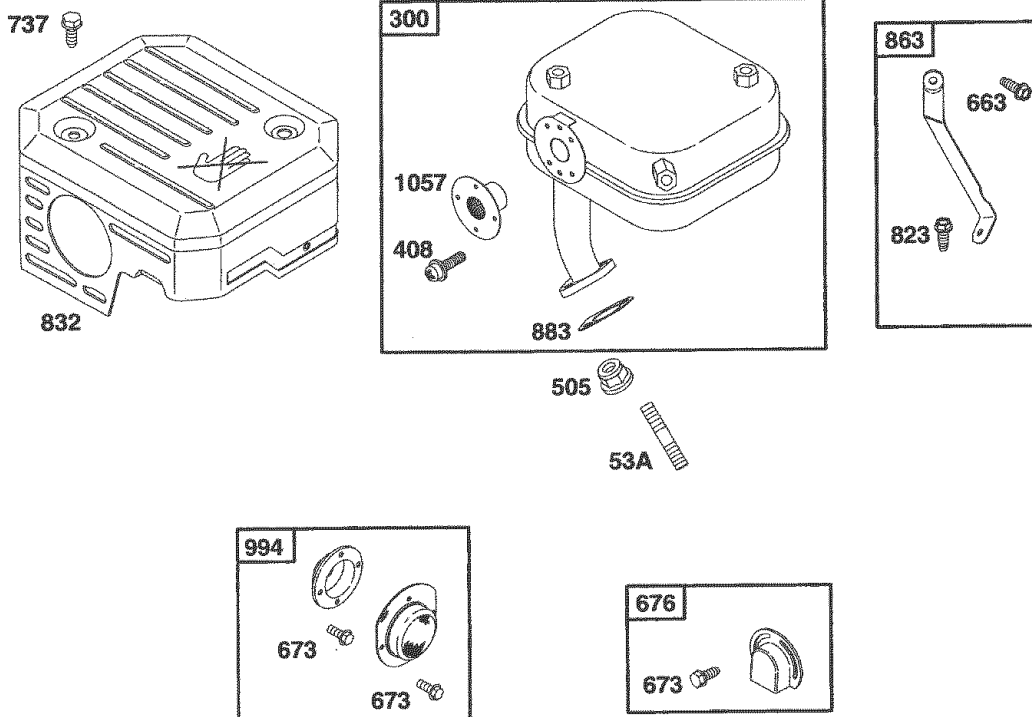
REF. NO.	PART NO.	DESCRIPTION	REF. NO.	PART NO.	DESCRIPTION	REF. NO.	PART NO.	DESCRIPTION
11	710115	Tube-Breather	202	710637	Link-Mechanical Governor	620B	715025	Bracket-Control
51	710060	Gasket-Intake	209	710702	Spring-Governor	663	710057	Screw-Hex
53	710148	Stud-Carburetor Mounting	232	710638	Spring-Link	967	491588	Air Filter
129	715024	Screw-Governor Speed (High and Idle Speed Adjustment)	235	710522	Shield-Fuel Spray	968	495872	Cover-Air Cleaner
161	710521	Base-Air Cleaner	354	710068	Nut-Hex	969	93473	Screw-Hex
			467	280715	Knob-Control			
			535	491435	Filter-Air			

- Included in Gasket Set-Part No. 715482
- ★ Included in Valve Overhaul Kit-Part No. 715483
- ▲ Included in Carburetor Kit-Part No. 715484
- ◆ Included in Gasket Gasket Set -Part No. 715485

ENGINE PARTS

CRAFTSMAN 3750 WATT GENERATOR 919.679370

ENGINE NUMBER 138432-0035-A1



REF. NO.	PART NO.	DESCRIPTION	REF. NO.	PART NO.	DESCRIPTION	REF. NO.	PART NO.	DESCRIPTION
53A	710099	Stud (Muffler Mounting)	663	710057	Screw-Hex	832	710565	Guard-Muffler
300	715508	Muffler-Exhaust	673	93705	Screw-Hex	863	714319	Bracket-Muffler
408	710307	Screw-Phillips	676	715230	Deflector-Muffler	883	★710082	Gasket-Muffler
505	710090	Nut-Lock	737	710074	Screw-Hex	994	715491	Arrester-Spark
			823	710248	Screw-Hex	1075	710329	Screen-Outlet

●Included in Gasket Set-Part No. 715482

★Included in Valve Overhaul Kit-Part No. 715483

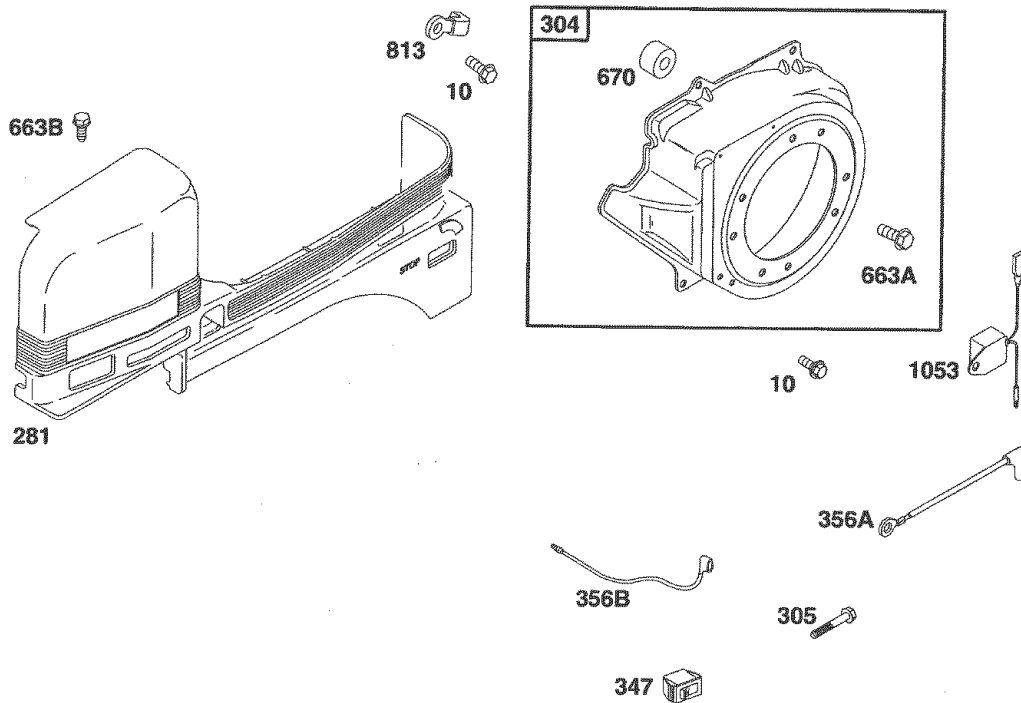
▲Included in Carburetor Kit-Part No. 715484

‡Included in Gasket Gasket Set -Part No. 715485

ENGINE PARTS

CRAFTSMAN 3750 WATT GENERATOR 919.679370

ENGINE NUMBER 138432-0035-A1



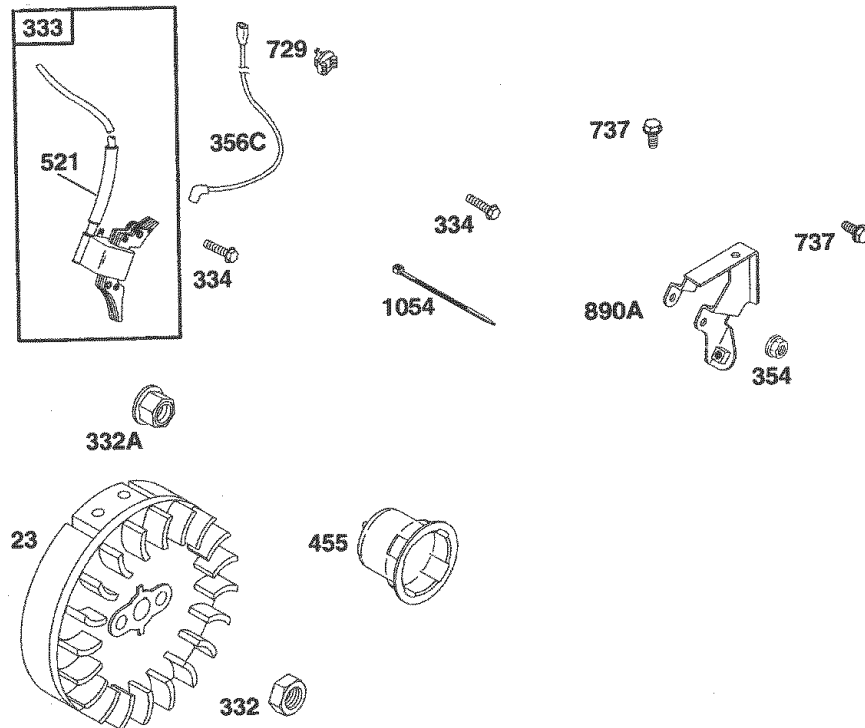
REF. NO.	PART NO.	DESCRIPTION	REF. NO.	PART NO.	DESCRIPTION	REF. NO.	PART NO.	DESCRIPTION
10	710023	Screw-Hex	304	715465	Housing-Blower	356A	710120	Wire-Stop
281	710646	Panel-Control Used on Type No(s). 0035	305	710095	Screw-Hex	356B	710087	Wire-Stop
			347	493521	Switch-Rocker (Without Lamp)	663A	710160	Screw-Hex
						663B	710234	Screw-Hex
						670	710159	Spacer-Fuel Tank
						813	710083	Clamp
						1036	499350	Label Kit-Emission
						1053	710305	Module

- Included in Gasket Set-Part No. 715482
- ★ Included in Valve Overhaul Kit-Part No. 715483
- ▲ Included in Carburetor Kit-Part No. 715484
- ♣ Included in Gasket Gasket Set -Part No. 715485

ENGINE PARTS

CRAFTSMAN 3750 WATT GENERATOR 919.679370

ENGINE NUMBER 138432-0035-A1



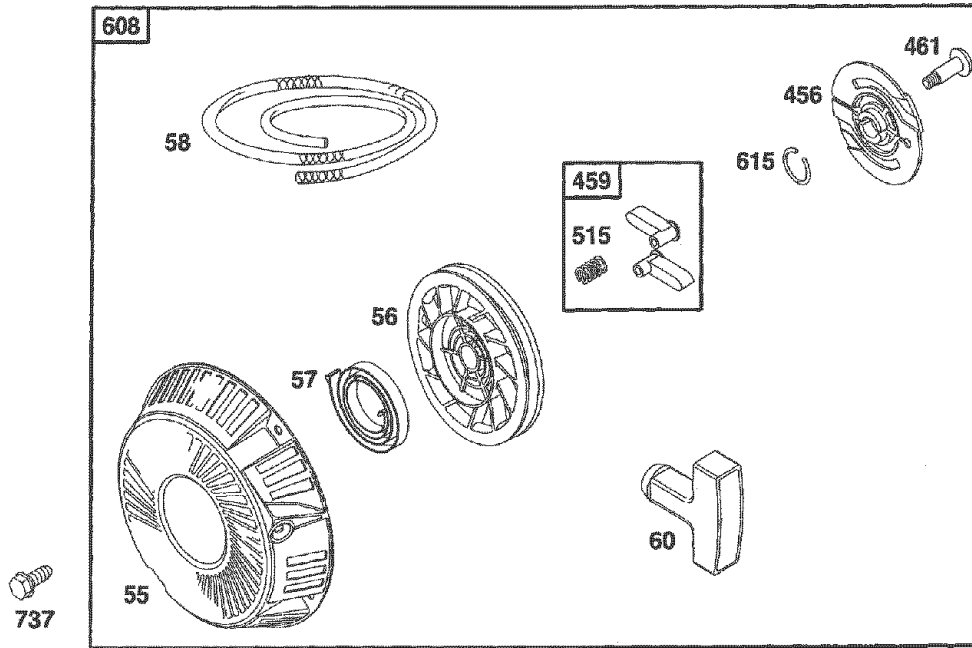
REF. NO.	PART NO.	DESCRIPTION	REF. NO.	PART NO.	DESCRIPTION	REF. NO.	PART NO.	DESCRIPTION
23	715429	Flywheel	334	710047	Screw-Hex	890A	710644	Bracket-Support
120	93836	Washer-Lock	354	710068	Nut-Hex	892	493625	Key Switch (Includes Keys)
154	93837	Nut-Hex	356C	710324	Wire-Ground	990	392832	Key Set-Starter Switch
281A	710658	Panel-Control	455	710277	Cup-Flywheel	1054	710349	Tie-Cable
332	710048	Nut-Hex	475	715200	Rectifier			
332A	710345	Nut-Hex	521	710045	Shielding-Cable			
333	715464	Armature-Magneto	526	710089	Srew-Hex			
			729	710046	Clip-Wire			
			737	710074	Screw-Hex			

- Included in Gasket Set-Part No. 715482
- ★ Included in Valve Overhaul Kit-Part No. 715483
- ▲ Included in Carburetor Kit-Part No. 715484
- ✦ Included in Gasket Gasket Set -Part No. 715485

ENGINE PARTS

CRAFTSMAN 3750 WATT GENERATOR 919.679370

ENGINE NUMBER 138432-0035-A1



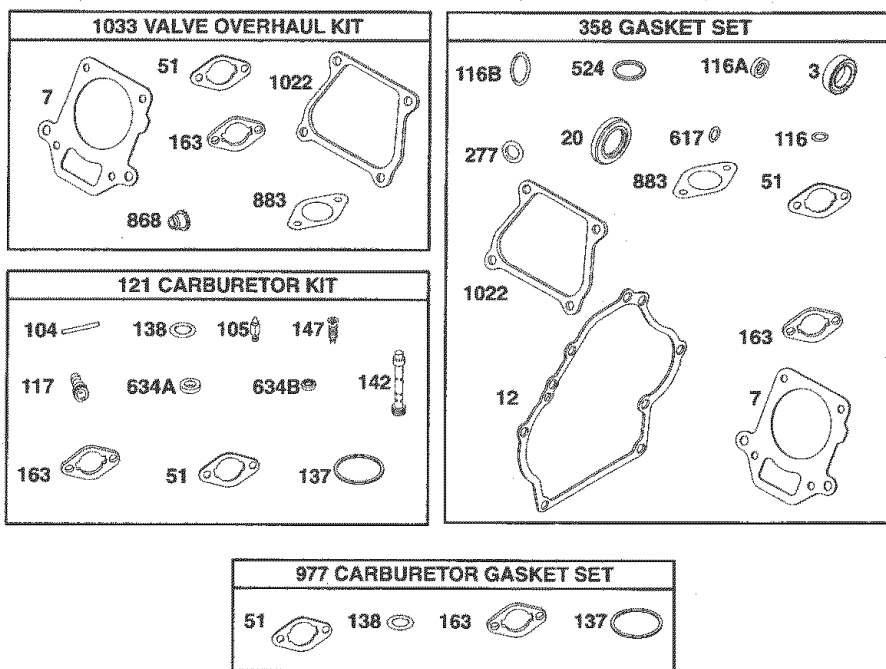
REF. NO.	PART NO.	DESCRIPTION	REF. NO.	PART NO.	DESCRIPTION	REF. NO.	PART NO.	DESCRIPTION
55	715132	Housing-Rewind Starter	58	710275	Rope-Starter (Cut to Required Length)	461	805955	Screw-Shoulder
56	710274	Pulley-Starter	60	490652	Grip-Starter Rope	515	805953	Spring-Pawl
57	710270	Spring-Rewind Starter	456	710272	Plate-Pawl Friction	608	715133	Starter-Rewind
			459	715256	Pawl-Ratchet	615	805952	Ring-Rewind Starter
						737	710074	Screw-Hex

- Included in Gasket Set-Part No. 715482
- ★ Included in Valve Overhaul Kit-Part No. 715483
- ▲ Included in Carburetor Kit-Part No. 715484
- ◆ Included in Gasket Gasket Set -Part No. 715485

ENGINE PARTS

CRAFTSMAN 3750 WATT GENERATOR 919.679370

ENGINE NUMBER 138432-0035-A1



REF. NO.	PART NO.	DESCRIPTION	REF. NO.	PART NO.	DESCRIPTION	REF. NO.	PART NO.	DESCRIPTION
3	● 710000	Seal-Oil	121	715484	Carburetor Kit	617	★ 710069	Seal-O-Ring
7	●★ 710624	Gasket-Cylinder Head	137	▲◆	Gasket-Float Bowl (Sold in Kit Only)	634A	●	Seal-Throttle Shaft (Sold in Kit Only)
12	● 710628	Gasket-Crankcase	138	▲◆	Washer (Sold in Kit Only)	634B	●	Bushing-Choke Shaft (Sold in Kit Only)
20	● 710215	Seal-Oil	142	▲ 710664	Nozzle-Carburetor	868	★ 710019	Seal-Valve
51	●★▲◆ 710060	Gasket-Intake	147	▲ 710675	Jet-Pilot	883	●★ 710082	Gasket-Exhaust
104	▲ 710663	Pin-Float	163	●★▲◆ 710639	Gasket-Air Cleaner	977	715485	Gasket Set-Carburetor
105	▲ 710661	Valve-Needle	277	● 710004	Washer-Seal	1022	●★ 710262	Gasket-Rocker Cover
116	● 710055	Seal-Oil	358	715482	Gasket Set	1033	715483	Kit-Valve Overhaul
116A	● 710091	Seal-O-Ring	524	● 710072	Seal-O-Ring			
116B	● 710029	Seal-O-Ring						
117	▲ 710665	Jet-Main						

- Included in Gasket Set-Part No. 715482
- ★ Included in Valve Overhaul Kit-Part No. 715483
- ▲ Included in Carburetor Kit-Part No. 715484
- ◆ Included in Gasket Gasket Set -Part No. 715485

**Briggs & Stratton Corporation (B&S), the California Air Resources Board (CARB)
and the United States Environmental Protection Agency (U.S. EPA)
Emission Control System Warranty Statement (Owner's Defect Warranty Rights and Obligations)**

In the interest of the environment, B&S engines that meet strict emission requirements are labeled, "This engine conforms to 1995 - 1998 California emission regulations for ULGE engines and U.S. EPA Phase I regulations for small non-road engines."

EMISSION CONTROL WARRANTY COVERAGE IS APPLICABLE

California and United States Emission Control Defects Warranty Statement

CARB, U.S. EPA and B&S are pleased to explain the Emission Control System Warranty on your 1996 and later utility or lawn and garden equipment (ULGE) engine. In California, new ULGE engines produced on or after August 1, 1995 must be designed, built and equipped to meet the State's stringent anti-smog standards. Elsewhere in the United States, new non-road, spark-ignition engines certified for model year 1997 and later, must meet similar standards set forth by the U.S. EPA. B&S must warrant the emission control system on your engine for the periods of time listed below, provided

Briggs & Stratton Emission Control Defects Warranty Coverage

ULGE engines are warranted relative to emission control parts defects for a period of two years, subject to provisions set forth

Owner's Warranty Responsibilities

As the ULGE engine owner, you are responsible for the performance of the required maintenance listed in your Operator/Owner Manual. B&S recommends that you retain all your receipts covering maintenance on your ULGE engine, but B&S cannot deny warranty solely for the lack of receipts or for your failure to ensure the performance of all scheduled maintenance.

As the ULGE engine owner, you should however be aware that B&S may deny you warranty coverage if your ULGE engine or a part has failed due to abuse, neglect, improper maintenance or unapproved modifications.

Briggs & Stratton Emission Control Defects Warranty Provisions

The following are specific provisions relative to your Emission Control Defects Warranty Coverage. It is in addition to the B&S engine warranty for non-regulated engines found in the Operator/Owner Manual.

1. Warranted Parts

Coverage under this warranty extends only to the parts listed below (the emission control systems parts) to the extent these parts were present on the engine purchased.

- a. Fuel Metering System
 - Cold start enrichment system (soft choke)
 - Carburetor and internal parts
 - Fuel Pump
- b. Air Induction System
 - Air cleaner
 - Intake manifold
- c. Ignition System
 - Spark plug(s)
 - Magneto ignition system
- d. Catalyst System
 - Catalytic converter
 - Exhaust manifold
 - Air injection system or pulse valve
- e. Miscellaneous Items Used in Above Systems
 - Vacuum, temperature, position, time sensitive valves and switches
 - Connectors and assemblies

2. Length of Coverage

B&S warrants to the initial owner and each subsequent purchaser that the Warranted Parts shall be free from defects in materials and workmanship which caused the failure of the Warranted Parts for a period of two years from the date the engine is delivered to a retail purchaser.

TO CERTIFIED ENGINES PURCHASED IN CALIFORNIA IN 1995 AND THEREAFTER, WHICH ARE USED IN CALIFORNIA, AND TO CERTIFIED MODEL YEAR 1997 AND LATER ENGINES WHICH ARE PURCHASED AND USED ELSEWHERE IN THE UNITED STATES.

there has been no abuse, neglect or improper maintenance of your ULGE engine.

Your emission control system includes parts such as the carburetor, air cleaner, ignition system, muffler and catalytic converter. Also included may be connectors and other emission related assemblies. Where a warrantable condition exists, B&S will repair your ULGE engine at no cost to you including diagnosis, parts and labor.

below. If any covered part on your engine is defective, the part will be repaired or replaced by B&S.

You are responsible for presenting your ULGE engine to an Authorized B&S Service Dealer as soon as a problem exists. The undisputed warranty repairs should be completed in a reasonable amount of time, not to exceed 30 days.

If you have any questions regarding your warranty rights and responsibilities, you should contact a B&S Service Representative at 1-414-259-5262.

The emission warranty is a defects warranty. Defects are judged on normal engine performance. The warranty is not related to an in-use emission test.

3. No Charge

Repair or replacement of any Warranted Part will be performed at no charge to the owner, including diagnostic labor which leads to the determination that a Warranted Part is defective, if the diagnostic work is performed at an Authorized B&S Service Dealer. For emissions warranty service contact your nearest Authorized B&S Service Dealer as listed in the "Yellow Pages" under "Engines, Gasoline," "Gasoline Engines," "Lawn Mowers," or similar category.

4. Claims and Coverage Exclusions

Warranty claims shall be filed in accordance with the provisions of the B&S Engine Warranty Policy. Warranty coverage shall be excluded for failures of Warranted Parts which are not original B&S parts or because of abuse, neglect or improper maintenance as set forth in the B&S Engine Warranty Policy. B&S is not liable to cover failures of Warranted Parts caused by the use of add-on, non-original, or modified parts.

5. Maintenance

Any Warranted Part which is not scheduled for replacement as required maintenance or which is scheduled only for regular inspection to the effect of "repair or replace as necessary" shall be warranted as to defects for the warranty period. Any Warranted Part which is scheduled for replacement as required maintenance shall be warranted as to defects only for the period of time up to the first scheduled replacement for that part. Any replacement part that is equivalent in performance and durability may be used in the performance of any maintenance or repairs. The owner is responsible for the performance of all required maintenance, as defined in the B&S Operator/Owner Manual.

6. Consequential Coverage

Coverage hereunder shall extend to the failure of any engine components caused by the failure of any Warranted Part still under warranty.

Briggs & Stratton welcomes warranty repair and apologizes to you for being inconvenienced. Any Authorized Service Dealer may perform warranty repairs. Most warranty repairs are handled routinely, but sometimes requests for warranty service may not be appropriate. For example, warranty would not apply if engine damage occurred because of misuse, lack of routine maintenance, shipping, handling, warehousing or improper installation. Similarly, warranty is void if the serial number of the engine has been removed or the engine has been altered or modified.

If a customer differs with the decision of the Service Dealer, an investigation will be made to determine whether the warranty applies. Ask the Service Dealer to submit all supporting facts to his Distributor or the Factory for review. If the Distributor or the Factory decides that the claim is justified, the customer will be fully reimbursed for those items that are defective. To avoid misunderstanding which might occur between the customer and the Dealer, listed below are some of the causes of engine failure that the warranty does not cover.

Improper maintenance:

The life of an engine depends upon the conditions under which it operates, and the care it receives. Some applications, such as tillers, pumps and rotary mowers, are very often used in dusty or dirty conditions, which can cause what appears to be premature wear. Such wear, when caused by dirt, dust, spark plug cleaning grit, or other abrasive material that has entered the engine because of improper maintenance, is not covered by warranty.

This warranty covers engine related defective material and/or workmanship only, and not replacement or refund of the equipment to which the engine may be mounted. Nor does the warranty extend to repairs required because of:

1. PROBLEMS CAUSED BY PARTS THAT ARE NOT ORIGINAL BRIGGS & STRATTON PARTS.
2. Equipment controls or installations that prevent starting, cause unsatisfactory engine performance, or shorten engine life. (Contact equipment manufacturer.)
3. Leaking carburetors, clogged fuel pipes, sticking valves, or other damage, caused by using contaminated or stale fuel. (Use clean, fresh, lead-free gasoline and Briggs & Stratton gasoline stabilizer, Part No. 5041.)
4. Parts which are scored or broken because an engine was operated with insufficient or contaminated lubricating oil, or an incorrect grade of lubricating oil (check oil level daily or after every 8 hours of operation. Refill when necessary and change at recommended intervals.) Read "Owner's Manual."
5. Repair or adjustment of associated parts or assemblies such as clutches, transmissions, remote controls, etc., which are not manufactured by Briggs & Stratton.
6. Damage or wear to parts caused by dirt, which entered the engine because of improper air cleaner maintenance, re-assembly, or use of a non-original air cleaner element or cartridge. (At recommended intervals, clean and re-oil the Oil-Foam® element or the foam pre-cleaner, and replace the cartridge.) Read "Owner's Manual."
7. Parts damaged by overspeeding, or overheating caused by grass, debris, or dirt, which plugs or clogs the cooling fins, or flywheel area, or damage caused by operating the engine in a confined area without sufficient ventilation. (Clean fins on the cylinder, cylinder head and flywheel at recommended intervals.) Read "Owner's Manual."
8. Engine or equipment parts broken by excessive vibration caused by a loose engine mounting, loose cutter blades, unbalanced blades or loose or unbalanced impellers, improper attachment of equipment to engine crankshaft, overspeeding or other abuse in operation.
9. A bent or broken crankshaft, caused by striking a solid object with the cutter blade of a rotary lawn mower, or excessive v-belt tightness.
10. Routine tune-up or adjustment of the engine.
11. Engine or engine component failure, i.e., combustion chamber, valves, valve seats, valve guides, or burned starter motor windings, caused by the use of alternate fuels such as, liquified petroleum, natural gas, altered gasolines, etc.

Dear Customer,

In manufacturing this product, many steps have been taken to provide you with the highest quality. Unfortunately, errors or omissions occasionally occur. In the event that you find a missing or defective part, please contact your nearest Sears store.

SERVICE AND REPAIR PARTS

CALL 1-800-665-4455 *

Keep this number handy should you require a service call or need to order repair parts.

If ordering parts make sure you have the name, make and model no. of the merchandise and the name and number of the part you wish to order.

* If calling locally, please use one of the following numbers:

Regina - 566-5124

Montreal - 333-5740

Toronto - 744-4900

Halifax - 454-2444

Kitchener - 894-7590

Ottawa - 738-4440

Vancouver - 420-8211

If you have any suggestions that would help us to improve our assembly/operation instructions, or this product, please write them down and mail it to:

Sears Canada Inc.
222 Jarvis Street
Toronto, Ontario
M5B 2B8

Attention: Buyer Dept: D671

Model No. _____

NAME _____

ADDRESS _____

POSTAL CODE _____ PHONE # _____

COMMENTS

Free Manuals Download Website

<http://myh66.com>

<http://usermanuals.us>

<http://www.somanuals.com>

<http://www.4manuals.cc>

<http://www.manual-lib.com>

<http://www.404manual.com>

<http://www.luxmanual.com>

<http://aubethermostatmanual.com>

Golf course search by state

<http://golfingnear.com>

Email search by domain

<http://emailbydomain.com>

Auto manuals search

<http://auto.somanuals.com>

TV manuals search

<http://tv.somanuals.com>