

# Owner's Manual



**5.5 Horsepower**

**2500 PSI**

**2.5 GPM**

**PRESSURE WASHER**

**Model No.**

**919.672190**

- **Safety Guidelines**
- **Assembly**
- **Operation**
- **Maintenance**
- **Storage**
- **Troubleshooting**
- **Repair Parts**

**CAUTION:** Read the Safety Guidelines and All Instructions Carefully Before Operating.

**Sold by Sears Canada, Inc. Toronto, Ont. M5B 2B**

# TABLE OF CONTENTS

WARRANTY .....	2
SPECIFICATION CHART .....	3
SAFETY GUIDELINES- DEFINITIONS .....	3
CONSUMER SAFETY INFORMATION .....	3
IMPORTANT SAFETY INSTRUCTIONS .....	3-7
BOX CONTENTS .....	7
ASSEMBLY .....	8-9
OPERATION .....	10-15
MAINTENANCE .....	15-18
STORAGE .....	19-20
TROUBLESHOOTING GUIDE .....	21-23
REPAIR PARTS .....	24-39
HOW TO ORDER REPAIR PARTS .....	Back Cover

## WARRANTY

### FULL ONE YEAR WARRANTY ON PRESSURE WASHERS

If this pressure washer fails due to a defect in material or workmanship within one year from the date of purchase, RETURN IT TO THE NEAREST SEARS SERVICE CENTER THROUGHOUT CANADA AND SEARS WILL REPAIR IT, FREE OF CHARGE.

If this pressure washer is used for commercial or rental purposes, the warranty will apply for ninety days (90) from the date of purchase.

This Craftsman pressure washer warranty gives you specific legal rights and you may have other rights which vary from province to province.

**Sears Canada, Inc., Toronto, Ont. M5B 2B8**

## SPECIFICATION CHART

<b>Model No.</b>	<b>919.672190</b>
<b>Pressure Washer</b>	
Pressure	2500 PSI
Flow Rate	2.5 GPM
Cleaning Units (PSI x GPM)	6250
<b>Engine</b>	
RPM	3600
Rated Horsepower	5.5
Spark Plug Gap	.030" (0.76mm)
Gasoline Capacity	.29 gallons (1.1 liters)
Oil .58 quarts ( .55 liters) capacity	SAE 30 weight

## SAFETY GUIDELINES - DEFINITIONS

This manual contains information that is important for you to know and understand. This information relates to protecting **YOUR SAFETY** and **PREVENTING EQUIPMENT PROBLEMS**. To help you recognize this information, we use the symbols below. Please read the manual and pay attention to these symbols.

<p><b>⚠ DANGER</b> Indicates an imminently hazardous situation which, if not avoided, <b>will</b> result in <b>death</b> or <b>serious injury</b>.</p>	<p><b>⚠ CAUTION</b> Indicates a potentially hazardous situation which, if not avoided, <b>may</b> result in <b>minor</b> or <b>moderate injury</b>.</p>
<p><b>⚠ WARNING</b> Indicates a potentially hazardous situation which, if not avoided, <b>could</b> result in <b>death</b> or <b>serious injury</b>.</p>	<p><b>⚠ CAUTION</b> Used without the safety alert symbol indicates a potentially hazardous situation which, if not avoided, <b>may</b> result in <b>property damage</b>.</p>

## CONSUMER SAFETY INFORMATION


**⚠ WARNING** This product may not be equipped with a spark arresting muffler. If the product is not equipped and will be used around flammable materials, or on land covered with materials such as agricultural crops, forest, brush, grass, or other similar items, then an approved spark arrester must be installed and is legally required in the state of California. It is a violation of California statutes section 130050 and/or sections 4442 and 4443 of the California Public Resources Code, unless the engine is equipped with a spark arrester, as defined in section 4442, and maintained in effective working order. Spark arresters are also required on some U.S. Forest Service land and may also be legally required under other statutes and ordinances.


**⚠ WARNING** Engine exhaust contains chemicals known, in certain quantities, to cause cancer, birth defects or other reproductive harm.


# IMPORTANT SAFETY INSTRUCTIONS


**⚠ WARNING** Read Operators Manual. Do not operate equipment until you have read operators Manual for Safety, Assembly, Operation, and Maintenance Instructions.


*READ AND SAVE THESE INSTRUCTIONS*


<b>HAZARD</b>	
<div style="display: flex; justify-content: space-between; align-items: center;"> <div style="background-color: black; color: white; padding: 2px 5px; font-weight: bold;">⚠ DANGER</div> <div style="text-align: center;"> <p><b>RISK OF EXPLOSION OR FIRE</b></p>  </div> </div>	
WHAT CAN HAPPEN	HOW TO PREVENT IT
<ul style="list-style-type: none"> <li>Spilled gasoline and it's vapors can become ignited from cigarette sparks, electrical arcing, exhaust gases, and hot engine components such as the muffler.</li> </ul>	<ul style="list-style-type: none"> <li>Shut off engine and allow it to cool before adding fuel to the tank.</li> <li>Use care in filling tank to avoid spilling fuel. Move pressure washer away from fueling area before starting engine.</li> </ul>
<ul style="list-style-type: none"> <li>Heat will expand fuel in the tank which could result in spillage and possible fire explosion.</li> </ul>	<ul style="list-style-type: none"> <li>Keep maximum fuel level ½" below top of tank to allow for expansion.</li> </ul>
<ul style="list-style-type: none"> <li>Operating the pressure washer in an explosive environment could result in a fire.</li> <li>Materials placed against or near the pressure washer can interfere with its proper ventilation features causing overheating and possible ignition of the materials.</li> </ul>	<ul style="list-style-type: none"> <li>Operate and fuel equipment in well ventilated areas free from obstructions. Equip areas with fire extinguisher suitable for gasoline fires.</li> <li>Never operate pressure washer in an area containing dry brush or weeds.</li> </ul>
<ul style="list-style-type: none"> <li>Muffler exhaust heat can damage painted surfaces, melt any material sensitive to heat (such as siding, plastic, rubber, or vinyl), and damage live plants.</li> </ul>	<ul style="list-style-type: none"> <li>Always keep pressure washer a minimum of four feet away from surfaces (such as houses, automobiles, or live plants) that could be damaged from muffler exhaust heat.</li> </ul>
<ul style="list-style-type: none"> <li>Improperly stored fuel could lead to accidental ignition. Fuel improperly secured could get into the hands of children or other unqualified persons.</li> </ul>	<ul style="list-style-type: none"> <li>Store fuel in an OSHA approved container, in a secure location away from work area.</li> </ul>
<ul style="list-style-type: none"> <li>Use of acids, toxic or corrosive chemicals, poisons, insecticides, or any kind of flammable solvent with this product could result in serious injury or death.</li> </ul>	<ul style="list-style-type: none"> <li>Do not spray flammable liquids.</li> <li>Never fill cleaning solution tanks with gasoline or other flammable solvent.</li> </ul>


<b>HAZARD</b>	
<div style="display: flex; justify-content: space-between; align-items: center;"> <div style="background-color: black; color: white; padding: 2px 5px; font-weight: bold;">⚠ DANGER</div> <div style="text-align: center;"> <p><b>RISK TO BREATHING</b></p>  </div> </div>	
WHAT CAN HAPPEN	HOW TO PREVENT IT
<ul style="list-style-type: none"> <li>Breathing exhaust fumes will cause serious injury or death!</li> </ul>	<ul style="list-style-type: none"> <li>Operate pressure washer in a well ventilated area. Avoid enclosed areas such as garages, basements, etc.</li> <li>Never operate unit in a location occupied by humans or animals.</li> </ul>
<ul style="list-style-type: none"> <li>Some cleaning fluids contain substances which could cause injury to skin, eyes, or lungs.</li> </ul>	<ul style="list-style-type: none"> <li>Use only cleaning fluids specifically recommended for high pressure washers. Follow manufacturers recommendations. Do not use chlorine bleach or any other corrosive compound.</li> </ul>


<b>HAZARD</b>	
<div style="display: flex; justify-content: space-between; align-items: center;"> <div style="background-color: black; color: white; padding: 5px;"><b>⚠ DANGER</b></div> <div style="text-align: center;"> <b>RISK OF INJURY OR PROPERTY DAMAGE WHEN TRANSPORTING OR STORING</b> </div> <div style="text-align: right;">  </div> </div>	
<b>WHAT CAN HAPPEN</b>	<b>HOW TO PREVENT IT</b>
<ul style="list-style-type: none"> <li>Fuel or oil can leak or spill and could result in fire or breathing hazard, serious injury or death can result. Fuel or oil leaks will damage carpet, paint or other surfaces in vehicles or trailers.</li> </ul>	<ul style="list-style-type: none"> <li>If pressure washer is equipped with a fuel shut-off valve, turn the valve to the off position before transporting to avoid fuel leaks. If pressure washer is not equipped with a fuel shut-off valve, drain the fuel from tank before transporting. Only transport fuel in an OSHA approved container. Always place pressure washer on a protective mat when transporting to protect against damage to vehicle from leaks. Remove pressure washer from vehicle immediately upon arrival at your destination.</li> </ul>

<b>HAZARD</b>	
<div style="display: flex; justify-content: space-between; align-items: center;"> <div style="background-color: black; color: white; padding: 5px;"><b>⚠ DANGER</b></div> <div style="text-align: center;"> <b>RISK TO FLUID INJECTION</b> </div> <div style="text-align: right;">  </div> </div>	
<b>WHAT CAN HAPPEN</b>	<b>HOW TO PREVENT IT</b>
<ul style="list-style-type: none"> <li>Your washer operates at fluid pressures and velocities high enough to penetrate human and animal flesh, which could result in amputation or other serious injury. Leaks caused by loose fittings or worn or damaged hoses can result in injection injuries. <b>DO NOT TREAT FLUID INJECTION AS A SIMPLE CUT!</b> See a physician immediately!</li> <li>Injuries can result if system pressure is not reduced before attempting maintenance or disassembly.</li> </ul>	<ul style="list-style-type: none"> <li>Never place hands in front of nozzle.</li> <li>Direct spray away from self and others.</li> <li>Make sure hose and fittings are tightened and in good condition. Never hold onto the hose or fittings during operation.</li> <li>Do not allow hose to contact muffler.</li> <li>Never attach or remove wand or hose fittings while system is pressurized.</li> <li>To relieve system pressure, shut off engine, turn off water supply, and pull gun trigger until water stops flowing.</li> <li>Use only hoses and accessories rated for pressure higher than your pressure washer's p.s.i.</li> </ul>

<b>HAZARD</b>	
<div style="display: flex; justify-content: space-between; align-items: center;"> <div style="background-color: black; color: white; padding: 5px;"><b>⚠ WARNING</b></div> <div style="text-align: center;"> <b>RISK OF CHEMICAL BURN</b> </div> <div style="text-align: right;">  </div> </div>	
<b>WHAT CAN HAPPEN</b>	<b>HOW TO PREVENT IT</b>
<ul style="list-style-type: none"> <li>Use of acids, toxic or corrosive chemicals, poisons, insecticides, or any kind of flammable solvent with this product could result in serious injury or death.</li> </ul>	<ul style="list-style-type: none"> <li>Do not use acids, gasoline, kerosene, or any other flammable materials in this product. Use only household detergents, cleaners and degreasers recommended for use in pressure washers.</li> <li>Read and understand all warnings and instructions supplied by cleaning solution manufacturer.</li> <li>Wear protective clothing to protect eyes and skin from contact with sprayed materials.</li> </ul>

HAZARD	
<div style="display: flex; justify-content: space-between; align-items: center;"> <div style="background-color: black; color: white; padding: 5px;"> <b>⚠ DANGER</b> </div> <div style="text-align: center;"> <b>RISK OF UNSAFE OPERATION</b> </div> <div style="text-align: right;">  </div> </div>	
WHAT CAN HAPPEN	HOW TO PREVENT IT
<ul style="list-style-type: none"> <li>Unsafe operation of your pressure washer could lead to serious injury or death to you or others.</li> </ul>	<ul style="list-style-type: none"> <li>Do not use chlorine bleach or any other corrosive compound.</li> <li>Become familiar with the operation and controls of the pressure washer.</li> <li>Keep operating area clear of all persons, pets, and obstacles.</li> <li>Do not operate the product when fatigued or under the influence of alcohol or drugs. Stay alert at all times.</li> <li>Never defeat the safety features of this product.</li> <li>Do not operate machine with missing, broken, or unauthorized parts.</li> <li>Never leave wand unattended while unit is running.</li> </ul>
<ul style="list-style-type: none"> <li><b>If proper starting procedure is not followed, engine can kickback causing serious hand and arm injury.</b></li> </ul>	<ul style="list-style-type: none"> <li><b>If engine does not start after two pulls, squeeze trigger of gun to relieve pump pressure. Pull starter cord slowly until resistance is felt. Then pull cord rapidly to avoid kickback and prevent hand or arm injury.</b></li> </ul>
<ul style="list-style-type: none"> <li>The spray gun/wand is a powerful cleaning tool that could look like a toy to a child.</li> </ul>	<ul style="list-style-type: none"> <li>Keep children away from the pressure washer at all times.</li> </ul>
<ul style="list-style-type: none"> <li>Reactive force of spray will cause gun/wand to move, and could cause the operator to slip or fall, or misdirect the spray. Improper control of gun/wand can result in injuries to self and others.</li> </ul>	<ul style="list-style-type: none"> <li>Do not overreach or stand on an unstable support. Grip gun/wand firmly with both hands. Expect the gun to kick when triggered.</li> </ul>

HAZARD	
<div style="display: flex; justify-content: space-between; align-items: center;"> <div style="background-color: black; color: white; padding: 5px;"> <b>⚠ WARNING</b> </div> <div style="text-align: center;"> <b>RISK OF ELECTRICAL SHOCK</b> </div> <div style="text-align: right;">  </div> </div>	
WHAT CAN HAPPEN	HOW TO PREVENT IT
<ul style="list-style-type: none"> <li>Spray directed at electrical outlets or switches, or objects connected to an electrical circuit, could result in a fatal electrical shock.</li> </ul>	<ul style="list-style-type: none"> <li>Unplug any electrically operated product before attempting to clean it. Direct spray away from electric outlets and switches.</li> </ul>

HAZARD	
<div style="display: flex; justify-content: space-between; align-items: center;"> <div style="background-color: black; color: white; padding: 5px;"> <b>⚠ WARNING</b> </div> <div style="text-align: center;"> <b>RISK OF HOT SURFACES</b> </div> <div style="text-align: right;">  </div> </div>	
WHAT CAN HAPPEN	HOW TO PREVENT IT
<ul style="list-style-type: none"> <li>Contact with hot surfaces, such as engines exhaust components, could result in serious burn.</li> </ul>	<ul style="list-style-type: none"> <li>During operation, touch only the control surfaces of the pressure washer. Keep children away from the pressure washer at all times. They may not be able to recognize the hazards of this product.</li> </ul>

**HAZARD**

**⚠ WARNING RISK OF INJURY FROM SPRAY**



**WHAT CAN HAPPEN**

- High velocity fluid spray can cause objects to break, propelling particles at high speed.
- Light or unsecured objects can become hazardous projectiles.

**HOW TO PREVENT IT**

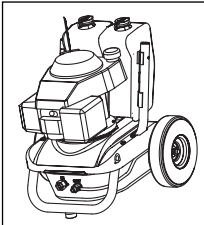
- Always wear ANSI approved Z87 safety glasses. Wear protective clothing to protect against accidental spraying.
- Never point wand at, or spray people or animals.
- Always secure trigger lock when wand is not in service to prevent accidental operation.
- Never permanently secure trigger in pull back (open) position.

**⚠ CAUTION**

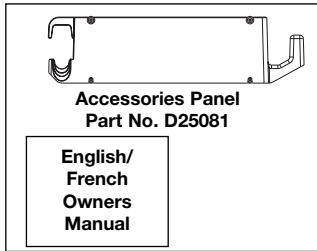
The powerful spray from your pressure washer is capable of causing damage to surfaces such as wood, glass, automobile paint, auto striping and trim, and delicate objects such as flowers and shrubs. Before spraying, check the item to be cleaned to assure yourself that it is strong enough to resist damage from the force of the spray. Avoid the use of the concentrated spray stream except for very strong surfaces like concrete and steel.

Operating without flow of water will result in equipment damage. Operating the pressure washer with water supply shutoff will void your warranty. You should never run this pressure washer for more than 2 minutes without pulling the trigger to allow cool water to enter the pump and the heated (recirculated) water to exit.

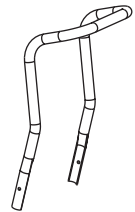
**BOX CONTENTS**



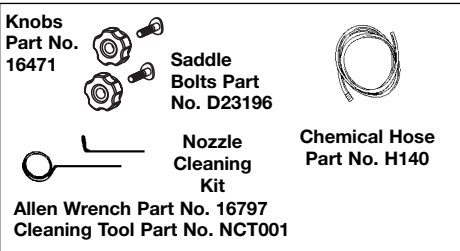
**Engine Frame, Wheel Assembly, and Dual Tank Cleaning System**



**Bagged Accessories Panel**



**Handle Part No. D22316 with Screws Part No. D22901**



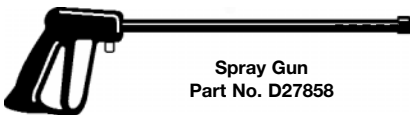
**Bagged Parts**



**High Pressure Hose Part No. D28094**



**Engine Oil**



**Spray Gun Part No. D27858**



**Multi-Adjustable Spray Wand Part No. D23314**

## ASSEMBLY

1. Remove cleaning solution tanks from frame assembly. Slide tanks up and away from frame assembly.



2. Place handle assembly onto frame and connect handle to frame.  
**NOTE:** Knobs are assembled to the outside of frame.



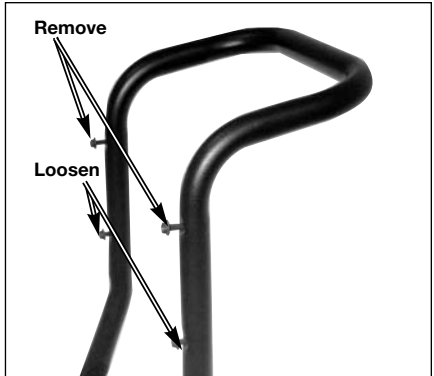
3. Connect wand to gun. Tighten securely.



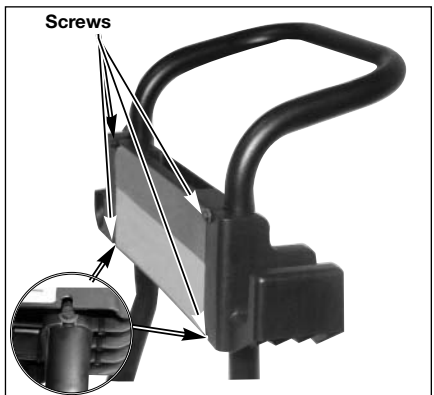
4. Attach high pressure hose to gun. Tighten securely.



5. To Assemble Accessories Panel
  - a. Remove top screws on handle assembly.
  - b. Loosen bottom screws on handle assembly.



- c. Place grooves in accessories panel assembly onto screws and slide panel assembly into place.

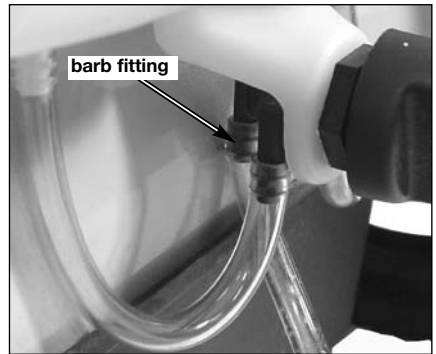




- d. Place screws (removed earlier) into the top holes and secure accessories panel assembly to handles. Do not overtighten.
6. Reinstall cleaning solution tanks. Tilt cleaning solution tanks toward engine, slide onto handles, and snap into place.

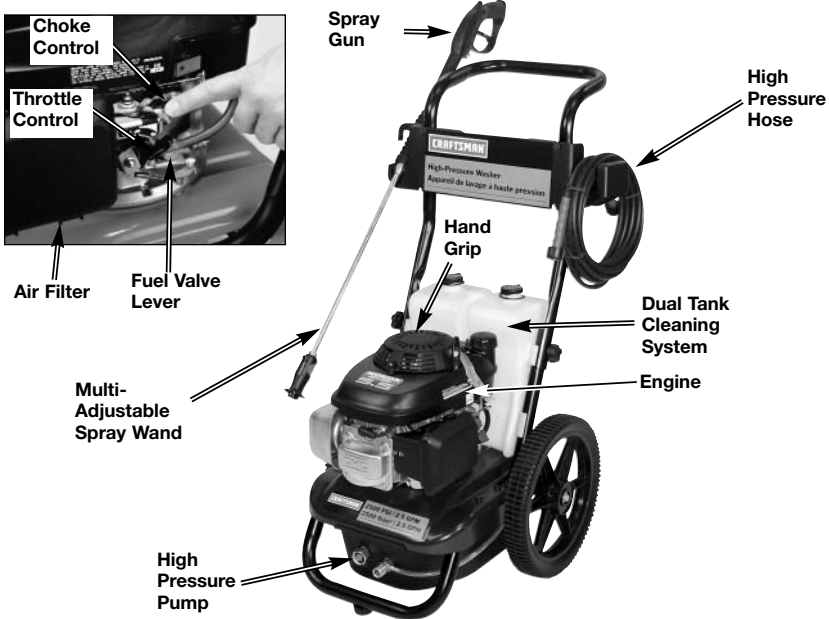


7. Attach cleaning solution hose to barb fitting on control valve located at the rear of unit.



# OPERATION

READ THIS OPERATION MANUAL AND SAFETY RULES BEFORE OPERATING YOUR UNIT. Compare the illustrations with your unit to familiarize yourself with the location of various controls and adjustments. Save this manual for future reference.



## PRESSURE WASHER

**High Pressure Pump (located inside the shroud):** Increases the pressure of the water supply.

**Engine:** Drives the high pressure pump.

**High Pressure Hose:** Carries the pressurized water from the pump to the gun and spray wand.

**Spray Gun:** Connects with spray wand to control water flow rate, direction, and pressure.

**Multi-Adjustable Spray Wand:** Has a spray nozzle which adjusts from a pencil stream (0°) to a wide angle fan spray (40°). The spray can be adjusted by twisting the nozzle clockwise and/or counterclockwise. Also, the high and low pressure settings can be controlled by moving the nozzle in and out. See Operation section. See How To Use Spray Wand paragraph in this section.

**Chemical Injector Rinsing Hose (not shown):** Rinses the chemical injector after use of cleaning solution.

**Dual Tank Cleaning System:** Allows easily switching from one cleaning solution to another depending on the cleaning task by simply turning the control valve knob.

## ENGINE

**Choke Control:** Opens and closes carburetor choke valve

**Throttle Control Lever:** Controls engine speed.

**Starter Grip:** Pulling starter grip operates recoil starter to crank engine.

**Fuel Valve Lever:** Opens and closes connection between fuel tank and carburetor.

# PRESSURE WASHER

## TERMINOLOGY

**PSI:** Pounds per Square Inch. The unit of measure for water pressure. Also used for air pressure, hydraulic pressure, etc.

**GPM:** Gallons Per Minute. The unit of measure for the flow rate of water.

**CU:** Cleaning Units. GPM multiplied by PSI.

**Bypass Mode:** In Bypass Mode, the pump is recirculating water because the trigger of the spray gun is not pulled. If unit is left in bypass mode for more than two (2) minutes, the water temperature will rise to a dangerous level and could damage internal components of the pump. Any damage to pump due to these causes will not be covered under warranty.

**CAUTION** **DO NOT allow your unit to operate in**

**bypass mode for more than two minutes at any time. Overheating of pump can cause damage to pump.**

**Thermal Relief Valve:** In an effort to prevent extreme damage, pumps are equipped with a thermal relief valve. This valve will open when the temperature inside the pump rises too high. This valve will then release a gush of water in an effort to lower the temperature inside the pump. Immediately after this occurs, the valve will close. The thermal relief valve is part of the pump and is not visible to the user.

**Chemical Injection System:** Mixes cleaners or cleaning solvents with the water to improve cleaning effectiveness.

**Water Supply:** All pressure washers must have a source of water. The minimum requirements for a water supply are 20 PSI and 5 gallons per minute.

## HOW TO USE

**IMPORTANT: Read and understand how to use the pressure washer before operating.**

## TO ADJUST PRESSURE

The pressure setting is preset at the factory to achieve optimum pressure and cleaning. If you need to lower the pressure, it can be accomplished by these methods.

1. Back away from the surface to be cleaned. The further away you are, the less the pressure will be on the surface to be cleaned.
2. Rotate the nozzle at the end of the multi-adjustable spray wand to widen the fan spray. The wider fan spray will minimize the pressure on the surface to be cleaned.

**CAUTION** **DO NOT attempt to increase pump pressure. A higher pressure setting than the factory set pressure may damage pump.**

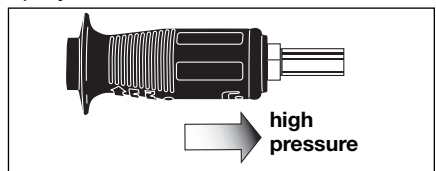
## HOW TO USE SPRAY WAND:

Your pressure washer is equipped with a multi-adjustable spray wand with both high and low pressure settings. The high pressure setting is for cleaning and rinsing, the low pressure setting is for applying cleaning solutions to surfaces.

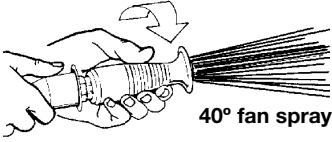
**DANGER** **When using the high pressure setting, DO NOT allow the jet-like spray to come in contact with unprotected skin, eyes, or with any pets or animals. Serious injury can occur.**

**WARNING** **Risk of injection or injury to person. DO NOT direct discharge stream toward persons.**

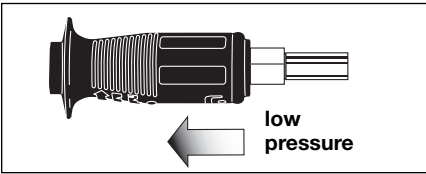
For high pressure operation, pull back the nozzle of the multi-adjustable spray wand as shown.



The nozzle at the end of the multi-adjustable spray wand can be rotated to change the high pressure spray pattern from a narrow jet to a 40° fan shape, as shown. Markings have been placed on the nozzle to help you select the spray pattern.



For low pressure operation, extend the nozzle of the multi-adjustable spray wand as shown.

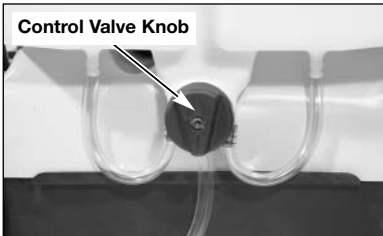


## HOW TO USE THE DUAL TANK CLEANING SYSTEM

**NOTE:** Use only soaps and cleaning solutions designed for pressure washer use. **Do not use bleach.**

**To apply cleaning solutions:**

1. Make sure cleaning solution tanks are assembled and all hoses are connected.
2. Turn control valve knob arrow to the down (off) position as shown.



3. Fill cleaning solution tanks with desired cleaning solution. Each tank holds approximately 1.25 gallon. **NOTE:** The cleaning solution/water ratio is 7:1, for every 7 gallons of water pumped, 1 gallon of cleaning solution will be used.

**⚠ DANGER** Never fill cleaning solution tanks with gasoline or other flammable solvent.

4. Turn control valve knob toward tank with desired cleaning solution.



5. Set multi-adjustable nozzle to low pressure setting. See How To Use Spray Wand paragraph in this section.
6. After use of cleaning solution the chemical injector **MUST** be rinsed, follow the instructions in the Shutting Down paragraph after each use.

**NOTE:** Cleaning solutions will not siphon when spray wand is in the high pressure setting.

## DUAL TANK CLEANING SOLUTION TIPS

1. Each tank may be filled with different cleaning solutions depending on the task to be performed. Example: deck and driveway. Fill one tank with deck cleaning solution and the other with driveway cleaning solution. Clean the deck with the deck cleaning solution and then simply turn the control knob toward the driveway cleaning solution and clean the driveway.

2. If only one cleaning solution is being used both tanks may be filled with the same solution to double the capacity before refilling tanks.
3. If only one cleaning solution is being used the second tank may be filled with clean water to conveniently rinse the chemical injector after use.

## TO SHUT DOWN

**IMPORTANT: Read and understand how to shut down the pressure washer before operating.**

1. After use of cleaning solution the chemical injector **MUST** be rinsed in order to prevent pump damage caused by solution build up. The warranty will not cover pumps that are damaged because the chemical injector was not properly rinsed.

### To rinse chemical injector using chemical injector rinsing hose

- a. Remove cleaning solution hose from chemical injector barb fitting.



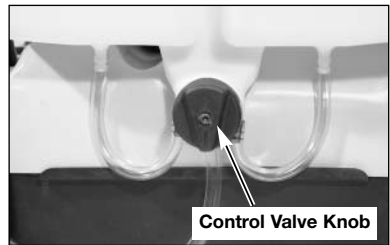
- b. Push chemical injector rinsing hose onto the chemical injector barbed fitting.



- c. Place other end of chemical injector rinsing hose into container of clean water and depress trigger to draw at least one gallon of clean water through chemical injection system to rinse system thoroughly.
- d. Before reconnecting cleaning solution hose to chemical injector barb fitting make sure that any remaining cleaning solution has been completely drained from the cleaning solution hose.


### To rinse chemical using cleaning solution system tank

- a. Turn control valve knob arrow to the down (off) position.



- b. Fill one of the cleaning solution system tanks with clean water.
- c. Turn control valve knob toward tank with clean water.



- d. Depress trigger to draw clean water through chemical injection system to rinse system thoroughly.
2. Turn engine off by placing the throttle control in the OFF  position.

**NOTE: NEVER turn the water off with the engine running.**

3. Turn the fuel valve to the OFF position if engine will not be restarted soon.
4. Turn water source off.
5. Pull trigger on spray gun to relieve any water pressure in hose or spray gun.
6. See Storage section in this manual for proper storage procedures. **NOTE:** Cleaning solution must be removed from cleaning solution tanks if storing unit longer than 30 days, see Storage section for correct procedure.

## BEFORE STARTING

Read and understand all Important Safety Instructions in the front of this manual and the following Cautions and Warnings before starting the pressure washer.

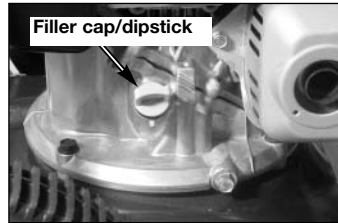
### ⚠ WARNING

- Never fill fuel tank completely. Fill tank to 1/2" below bottom of filler neck to provide space for fuel expansion. Wipe any fuel spillage from engine and equipment before starting engine.
- Never fill fuel tank indoors. Never fill fuel tank when engine is running or hot. Do not smoke when filling fuel tank.
- Never run engine indoors or in enclosed, poorly ventilated areas. Engine exhaust contains carbon monoxide, an odorless and deadly gas.

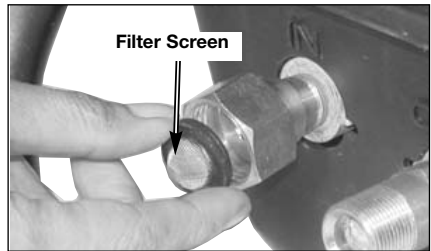
### CAUTION

- Never turn water supply off while pressure washer engine is running or damage to pump will result.
- DO NOT use hot water, use cold water only.
- DO NOT stop spraying water for more than two minutes at a time.

1. In a well ventilated outdoor area add fresh, high quality, unleaded gasoline with a pump octane rating of 86 or higher. Do not overfill. Wipe up spilled fuel before starting the engine.
2. Remove filler cap/dipstick and add engine oil (supplied) to engine. **NOTE:** There will be a slight amount of oil in the engine from factory testing. Always check oil level before each start-up.

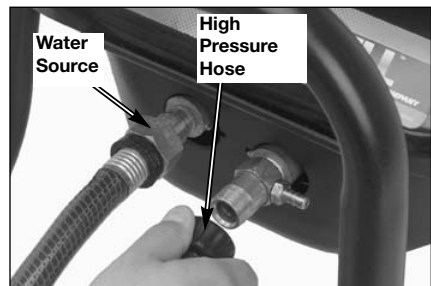


3. Verify the filter screen is in water inlet of pump. **NOTE:** Cone side faces out.



4. Connect high pressure hose to pump outlet.
5. Connect water source to pump inlet.

**NOTE:** Water source must provide a minimum of 5 gallons per minute at 20 p.s.i.

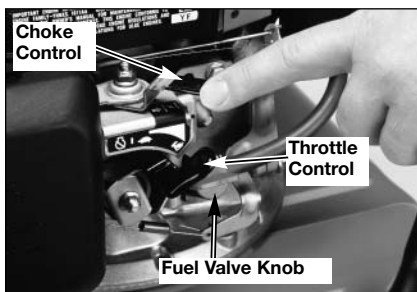


6. If applying a cleaning solution, see How To Use the Dual Cleaning Solution System in Operation section of this manual.

7. Turn water source on.

**NOTE:** Failure to do so could cause damage to the pump.

8. Turn fuel valve to the ON position, 1/4 turn counterclockwise.
9. Move the choke control lever to the CHOKE ON **N** position and the throttle control to the FAST **F** position. **NOTE:** No choke is needed to start a warm engine.



10. Pull starter grip slowly until you feel resistance, then pull briskly. Return starter grip gently. Pull rope with a rapid full arm stroke. Let rope rewind slowly. Repeat if necessary.

**▲ WARNING** If the engine does not start after two pulls, pull the trigger to relieve the pressure.

11. If the choke was used to start the engine, move the choke lever to the OFF position.
12. Depress trigger on gun to start water flow. **NOTE:** Stand on a stable surface and grip gun/spray wand firmly with both hands. Expect the gun to kick back when triggered.
13. Release trigger to stop water flow.
14. Adjust nozzle spray for the task being performed. See **How To Use Spray Wand** instructions in this section.

**▲ WARNING** DO NOT let hoses come in contact with very hot engine muffler during or immediately after use of your pressure washer.

## MAINTENANCE

**▲ WARNING** When performing maintenance, you may be exposed to hot surfaces, water pressure, or moving parts that can cause serious injury or death!

Before performing any maintenance or repair, disconnect spark plug wire, let engine cool and release all water pressure. The engine contains flammable fuel. **DO NOT** smoke or work near open flames while performing maintenance.

To ensure efficient operation and longer life of your pressure washer, a routine maintenance schedule should be prepared and followed. If the pressure washer is used in unusual conditions, such as high-temperatures or dusty conditions, more frequent maintenance checks will be required.

## CUSTOMER RESPONSIBILITIES TABLE

MAINTENANCE TASK	Before each use	Every 25 hours or yearly	Every 50 hours or yearly	Every 100 hours or yearly
<b>ENGINE</b>				
check oil level	X			
change oil			X	
check air filter		X		
clean/replace spark plug				X
<b>PRESSURE WASHER</b>				
check/clean inlet screen	X			
check high pressure hose	X			
check soap and chemical hose and filter	X			
check gun and wand for leaks	X			
prepare for storage	Prepare unit for storage if it is to remain idle for longer than 30 days			

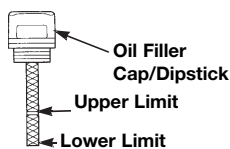
## ENGINE

### To Check Oil

1. Shut down engine and place on a level surface.
2. Remove filler cap/dipstick and wipe it clean.

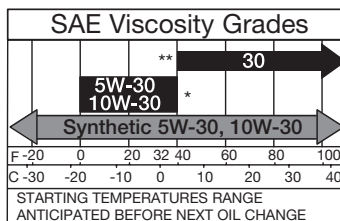


3. Insert and remove the filler cap/dipstick without screwing it into the filler neck. Check the oil level shown on the dipstick.



4. If the oil level is low, fill to the edge of the oil filler hole with the SAE 10W-30 oil.

**NOTE:** Other viscosities shown in the chart may be used when the average temperature in your area is within the recommended range.

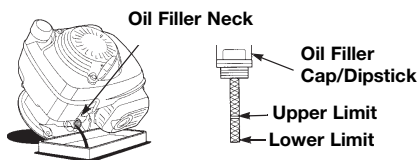




## To Change Oil

Drain the engine oil when the engine is warm. Warm oil drains quickly and completely.

1. Turn the fuel valve to the OFF position, 1/4 turn clockwise.
2. Place a suitable container next to the engine to catch the used oil.
3. Remove filler cap/dipstick and drain the oil into the container by tipping the engine toward the oil filler neck.



**NOTE:** Please dispose of used motor oil in a manner that is compatible with the environment. It is recommended to take used oil in a sealed container to your local recycling center or service station for reclamation. Do not throw it in the trash or pour it on the ground or down a drain.

4. With the engine in a level position, fill to the upper limit mark on the dipstick with SAE 10W-30 oil. Engine oil capacity is 0.58 quart (.055 liter). **NOTE:** Other viscosities shown in the chart in the "To Check Oil" paragraph may be used.
5. Replace the oil filler cap/dipstick securely.

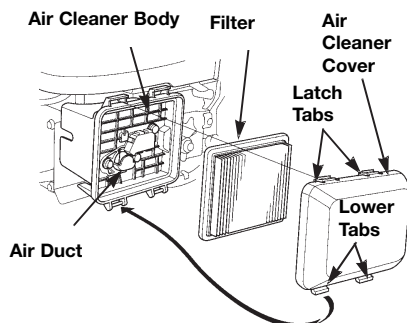
## Air Cleaner

A dirty air cleaner will restrict air flow to the carburetor and cause poor engine performance. Inspect the filter each time the engine is operated. Clean the filter more frequently if the engine is operated in very dusty areas.

**NOTICE:** Operating the engine without a filter, will allow dirt to enter the engine, causing rapid engine wear. This type of damage is not covered under the warranty.

### Inspect

1. Press the latch tabs on the top of the air cleaner cover and remove the cover. Check the filter to be sure it is clean and in good condition.
2. Reinstall the filter and air cleaner cover.

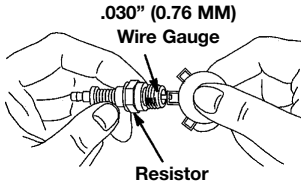


### Cleaning

1. Tap the filter several times on a hard surface to remove dirt or blow compressed air [not exceeding 30 psi (207kPa, 1.2 kg/cm<sup>2</sup>) through the filter from the clean side that faces the engine. Never try to brush off dirt. Brushing will force dirt into the fibers.
2. Wipe dirt from the air cleaner body and cover using a moist rag. Be careful to prevent dirt from entering the air duct that leads to the carburetor.

## Clean and Replace Spark Plug

Change the spark plug every 100 hours of operation or once each year, whichever comes first. This will help your engine to start easier and run better.

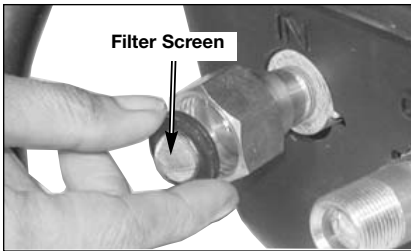


## PUMP

This screen filter should be checked periodically and cleaned if necessary.

1. Remove filter by grasping end and removing it from water inlet of pump as shown.
2. Clean filter by flushing it with water on both sides.
3. Re-insert filter into water inlet of pump. **NOTE:** Cone side faces out.

**NOTE:** Do not operate pressure washer without filter properly installed.



## NOZZLE CLEANING

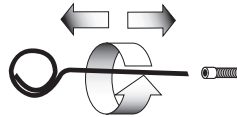
If the nozzle becomes clogged with foreign materials, such as dirt, excessive pressure may develop. If the nozzle becomes partially clogged or restricted, the pump pressure will pulsate. Clean the nozzle immediately using the nozzle kit supplied and the following instructions:

1. Shut off the pressure washer and turn off the water supply.
2. Disconnect spark plug wire.

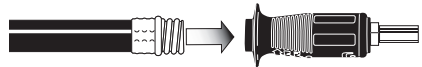
3. Pull trigger on gun handle to relieve any water pressure.
4. Disconnect the wand from the gun.
5. Remove the nozzle from the end of the wand with the 2mm allen wrench provided as shown.



6. Clean the nozzle using the nozzle cleaner provided or a straightened paper clip. Insert into the nozzle end and work back and forth until obstruction is removed.



7. Direct water supply into nozzle end to backflush loosened particles for 30 seconds.



8. Reconnect spark plug wire.
9. Reassemble the nozzle to the wand. Tighten securely to prevent leaks.
10. Reconnect wand to gun and turn on water supply.
11. Start pressure washer and place wand into high pressure setting to test.

# STORAGE

## ENGINE

**IMPORTANT:** It is important to prevent gum deposits from forming in essential fuel system parts such as the carburetor, fuel filter, hose or tank during storage. Also, experience indicates that alcohol-blended fuels (called gasohol or using ethanol or methanol) can attract moisture which leads to separation and formation of acids during storage. Acidic gas can damage the fuel system of an engine while in storage. To avoid engine problems, the fuel system should be emptied before storage of 30 days or longer. Never use engine or carburetor cleaner products in the fuel tank or permanent damage may occur.

### Engine Preparation

1. First add a fuel stabilizer to the fuel tank.
2. Run pressure washer for a full 5 minutes to allow fuel stabilizer to enter the fuel system.

**CAUTION** While preparing the engine make sure water supply is turned on and flowing to the unit. **NEVER** run unit without water supply running through pump. Failure to do so will cause pump damage.

3. Next shut off engine and disconnect the water supply.
4. Disconnect the spark plug wire and remove the spark plug.
5. Add one teaspoon of oil through the spark plug hole.
6. Place rag over spark plug hole and pull the recoil a few times to lubricate the combustion chamber.
7. Replace the spark plug, but do not connect the spark plug wire.

## PUMP

1. **Drain all water from high pressure hose**, coil it, and store it in cradle of the pressure washer handle.
2. **Drain all water from spray gun** and spray wand by holding spray gun in a vertical position with nozzle end pointing down and squeezing trigger. Store in gun/hose holder.
3. **Store chemical injector rinsing hose**, high pressure hose, spray gun, and spray wand so they are protected from damage, such as being run over.

It is recommended that you follow these steps to protect the internal seals of the pressure washer when **STORING THE UNIT FOR MORE THAN 30 DAYS AND/OR WHEN FREEZING TEMPERATURES ARE EXPECTED.**

\*RV antifreeze needs to be run through the pump as outlined in the steps below.

4. **Obtain a funnel**, six ounces of \*RV antifreeze, and approximately 36 inches of garden hose with a male hose connector attached to one end.

**CAUTION** Use only RV antifreeze. Any other antifreeze is corrosive and can damage pump.



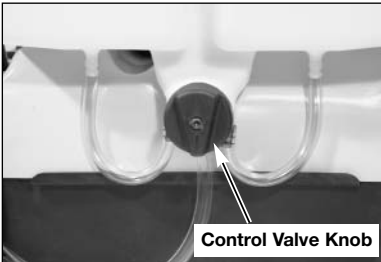
5. **Disconnect spark plug wire.**
6. **Connect 36 inch length of hose** to water inlet of pump.

7. **Add \*RV antifreeze** to hose as shown.
8. **Pull engine starter rope slowly several times** until antifreeze comes out of high pressure hose connection of pump.
9. **Remove short hose** from water inlet of pump.
10. **Reconnect spark plug wire.**

\* Windshield washer fluid may also be used

## DUAL TANK CLEANING SYSTEM

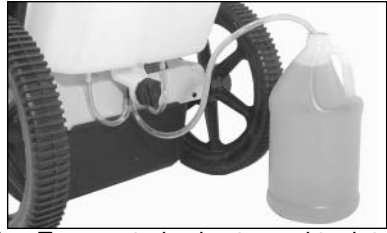
1. Turn control valve knob to the down (off) position.



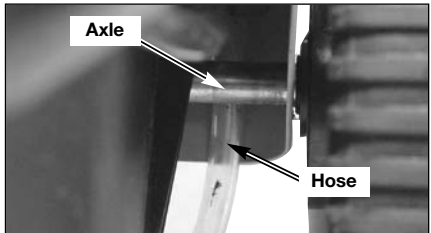
2. Remove cleaning solution hose at chemical injector and pull it over the axle and to the rear of the unit.



3. Place end of cleaning solution hose into a suitable container to drain cleaning solution.



4. Turn control valve toward tank to be drained.
5. Repeat steps 3-4 to drain second tank.
6. Turn control valve knob to the down (off) position.
7. Fill tanks with clean water.
8. Turn valve toward tank and drain water from tank. Repeat on second tank. **NOTE:** This will rinse cleaning solution tanks.
9. Route the cleaning solution hose over the axle and reconnect cleaning solution hose to chemical injector for future use.



## TROUBLESHOOTING GUIDE

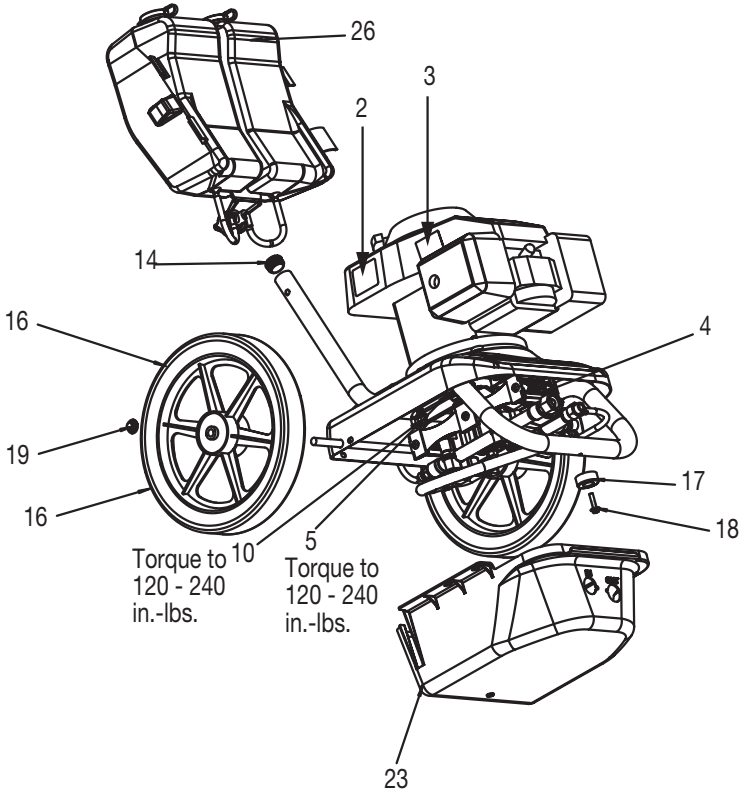
<b>PROBLEM</b>	<b>CAUSE</b>	<b>CORRECTION</b>
<b>Engine will not start</b>	<ol style="list-style-type: none"> <li>1. No fuel.</li> <li>2. Pressure builds up after two pulls on the recoil starter or after initial use.</li> <li>3. Choke lever in the "No Choke" position.</li> <li>4. Spark plug wire not attached.</li> <li>5. Choke lever in the "Choke" position on a "hot" engine or an engine that has been exposed to thermal heat for a long period of time.</li> <li>6. Fuel valve closed</li> </ol>	<ol style="list-style-type: none"> <li>1. Add Fuel.</li> <li>2. Squeeze gun trigger to relieve pressure.</li> <li>3. Move choke to the "Choke" position.</li> <li>4. Attach spark plug wire.</li> <li>5. Move choke to the "No Choke" position.</li> <li>6. Move the fuel valve knob to the "Open" position.</li> </ol>
<b>No or low pressure (initial use)</b>	<ol style="list-style-type: none"> <li>1. Wand not in high pressure.</li> <li>2. Low water supply.</li> <li>3. Leak at high pressure hose fitting.</li> <li>4. Nozzle obstructed.</li> <li>5. Water filter screen clogged.</li> </ol>	<ol style="list-style-type: none"> <li>1. See How to Use Spray Wand paragraph in the Operation Section.</li> <li>2. Water supply must be at least 5 GPM @ 20 PSI.</li> <li>3. Tighten. Apply sealant tape if necessary.</li> <li>4. See Spray Wand paragraph in the Maintenance section for the correct procedure.</li> <li>5. Remove and clean filter.</li> </ol>

<b>PROBLEM</b>	<b>CAUSE</b>	<b>CORRECTION</b>
<b>No or low pressure (initial use) (continued)</b>	6. Air in hose.	6. Turn off the engine, then the water source. Disconnect the water source from the pump inlet and turn the water source on to remove all air from the hose. When there is a steady stream of water present, turn water source off. Reconnect water source to pump inlet and turn on water source. Squeeze trigger to remove remaining air.
	7. Choke lever in the "Choke" position.	7. Move choke to the "No Choke" position.
	8. Throttle control lever is not in the "Fast" position.	8. Move throttle control lever to the "Fast" position.
	9. High pressure hose is too long.	9. Use high pressure hose under 100 feet.
<b>Will not draw cleaning solution</b>	1. Wand not in low pressure.	1. See Spray Wand paragraph in the Maintenance section for the correct procedure.
	2. Filter clogged on chemical injector rinsing hose.	2. Clean filter.
	3. Screen on end of chemical injector rinsing hose not in water	3. Make sure end of chemical injector rinsing hose is fully submerged into clean water.
	4. Chemical too thick	4. Dilute chemical. Chemical should be the same consistency as water.
	5. Pressure hose is too long	5. Lengthen water supply hose instead of high pressure hose.
	6. Chemical build up in chemical injector.	6. Have parts cleaned or replaced by AWSC.
	7. Hoses are not connected.	7. Make sure all hoses are connected at valve.
	8. Control valve is in the down (off) position or pointed toward the tank not being uses.	8. Turn control valve toward tank being used.

<b>PROBLEM</b>	<b>CAUSE</b>	<b>CORRECTION</b>
<b>No or low pressure (after period of normal use.)</b>	<ol style="list-style-type: none"> <li>1. Worn seal or packing.</li> <li>2. Worn or obstructed valves.</li> <li>3. Worn unloader piston.</li> </ol>	<ol style="list-style-type: none"> <li>1. Have replaced by AWSC.</li> <li>2. Have replaced by AWSC.</li> <li>3. Have replaced by AWSC.</li> </ol>
<b>Water leaking at gun/wand connection</b>	<ol style="list-style-type: none"> <li>1. Worn or broken o-ring.</li> <li>2. Loose hose connection.</li> </ol>	<ol style="list-style-type: none"> <li>1. Check and replace.</li> <li>2. Tighten.</li> </ol>
<b>Water leaking at pump</b>	<ol style="list-style-type: none"> <li>1. Loose connections.</li> <li>2. Piston packings worn.</li> <li>3. Worn or broken o-rings.</li> <li>4. Pump head or tubes damaged from freezing.</li> </ol>	<ol style="list-style-type: none"> <li>1. Tighten.</li> <li>2. Have replaced by AWSC.</li> <li>3. Have replaced by AWSC.</li> <li>4. Have replaced by AWSC.</li> </ol>
<b>Pump Pulsates</b>	<ol style="list-style-type: none"> <li>1. Nozzle obstructed.</li> </ol>	<ol style="list-style-type: none"> <li>1. See Spray Wand paragraph in the Maintenance section for the correct procedure.</li> </ol>

# REPAIR PARTS

Pressure Washer Model Number 919.672190



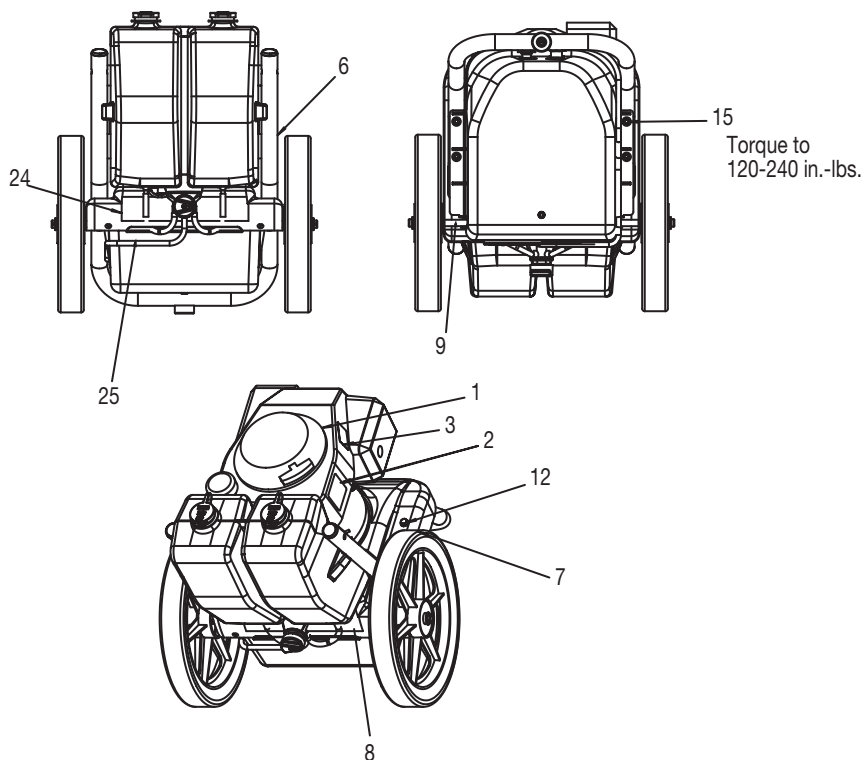
<b>Key#</b>	<b>Part #</b>	<b>Description</b>
2	D23124	Label, Danger
3	D23125	Label, Hot Surface
4	*	Pump Kit
5	D27152	Screw, 5/16-24
10	D27956	Screw, 3/8-16-18 x 1.25
14	D22267	Plug
16	D21963	Wheel
17	D22268	Isolator
18	D23208	Screw, 1/4-20
19	W137	Pal Nut
23	D21630	Pump Shroud
26	D27959	Dual Tank Cleaning System

\* See Breakdown for individual Parts



# REPAIR PARTS

Pressure Washer Model Number 919.672190



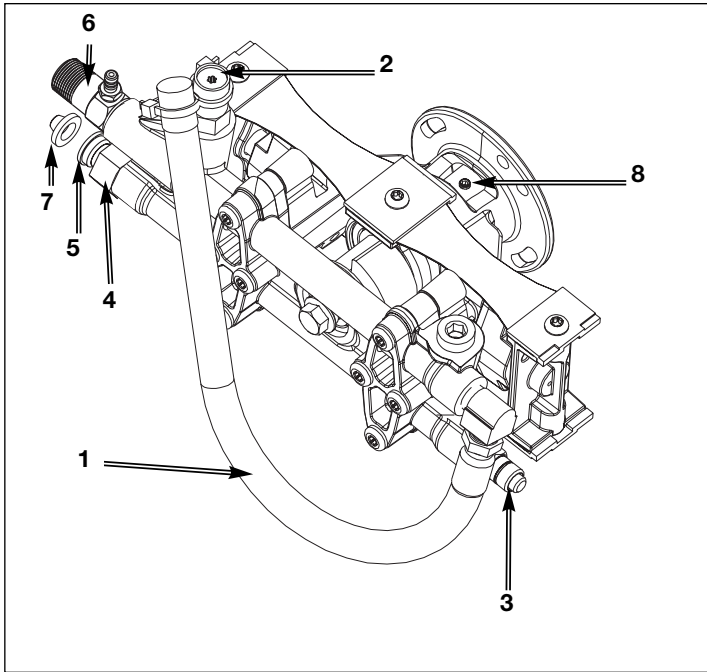
Key#	Part #	Description
1	*	Engine, Honda GCV160A
2	17050	Label, Danger
3	D23125	Label, Hot Surface
6	D22908	Frame
7	D25074	Base
8	D22904	Label, Moving Parts
9	D23099	Axle
12	D22308	Screw, 5/16-18
15	D22692	Nut, 5/16-18
24	D25087	Label, Warning
25	D27926	Cleaning Solution H ose

**Not Shown**  
D30333 Manual, Owners

\* See Breakdown for individual Parts

# REPAIR PARTS

## Pressure Pump Model Number D28703



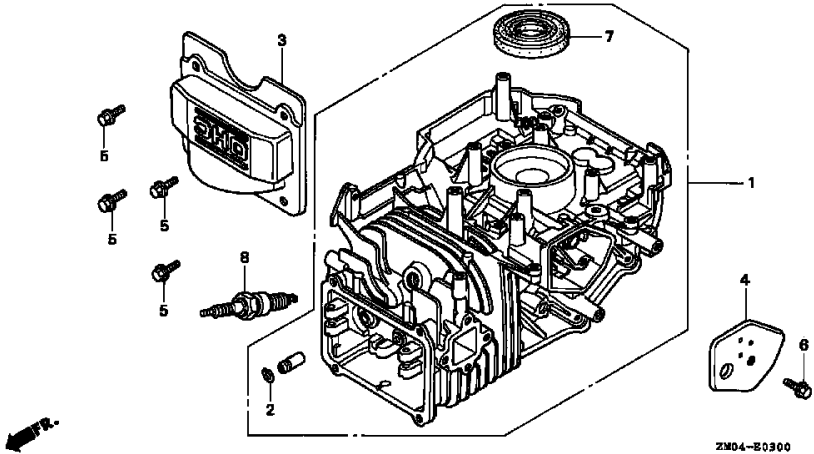
<b>Key#</b>	<b>Part #</b>	<b>Description</b>
1	D20998	Hose, 3/8 x 18"
2	18139	Unloader Assembly
3	16848	Thermal Relief Valve
4	H061	Swivel Nut, Garden Hose
5	H068	Swivel, 3/8"
6	D29372	Chemical Injector
7	F187	Inlet ScreenFilter
8	D25006	Set Screw

**Not Shown:**  
H140                      Chemical Hose

# REPAIR PARTS

Honda Engine Model Number GCV160A

## CYLINDER BARREL

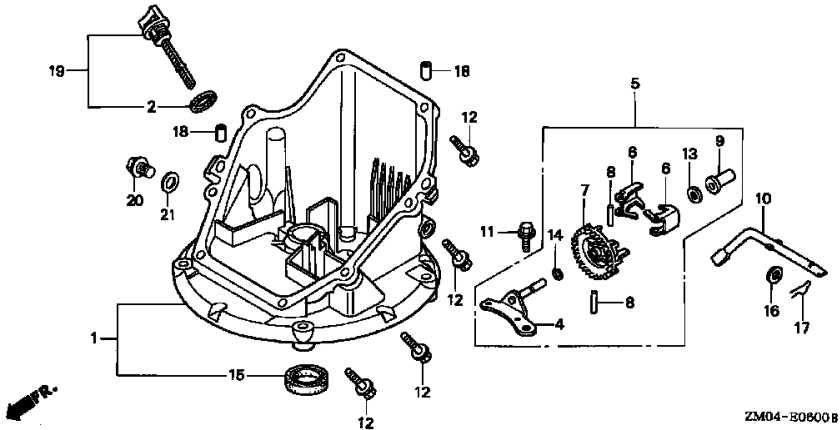


<u>Ref</u>	<u>Description</u>	<u>Part Number</u>	<u>H/C</u>	<u>Qty</u>
1	Cylinder Assembly	12000-ZL8-405	6315691	1
2	Clip, Valve Guide	12216-ZE5-300	2399780	1
3	Cover, Head	12311-ZL8-000	5579990	1
4	Cover, Breather (Breather Valve Assy)	12355-ZL8-000	5580006	1
5	Bolt, Flange (6x12) (CT200)	90013-883-000	0636845	4
6	Bolt, Flange (6x14)	90014-952-000	0803619	1
7	Oil Seal (25.4x62x6)	91201-ZL8-003	5581038	1
8	Spark Plug (BPR6ES)(NGK)	98079-56846	1441112	1

# REPAIR PARTS

## Honda Engine Model Number GCV160A

### OIL PAN

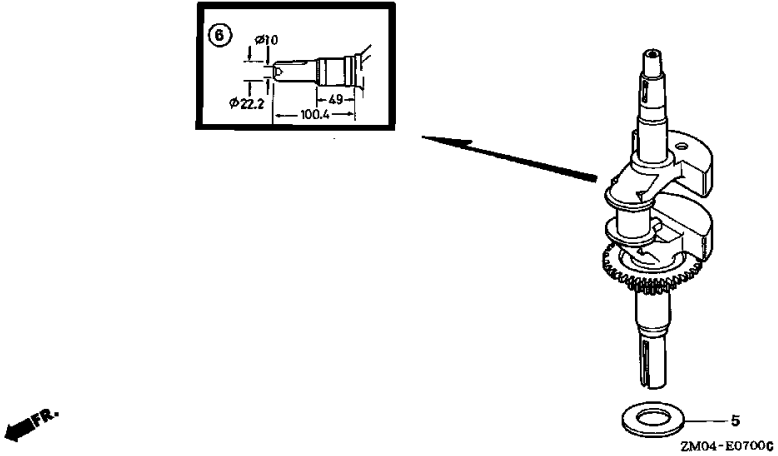


Ref	Description	Part Number	H/C	Qty
1	Pan Assembly, Oil (SAE)	11300-ZOL-820	6696686	1
2	Gasket, Oil Filler Cap	15625-ZE1-003	4497947	1
4	Shaft, Governor Holder	16508-ZM0-010	6384341	1
5	Governor Assembly	16510-ZM0-010	6384333	1
6	Weight Governor	16511-ZL8-000	5580287	2
7	Holder, Governor Weight	16512-ZM0-000	5580295	1
8	Pin, Governor Weight	16513-ZE1-000	1427244	2
9	Slider, Govenor	16531ZE1-000	1427251	1
10	Shaft, Governor Arm	16541-ZM0-000	5580303	1
11	Bolt, Flange (6x14)	90014-952-000	0803619	1
12	Bolt, Flange (6x25)	90121-952-000	0748111	8
13	Washer, Thrust (28x41.25x6)	90451-ZE1-000	2413862	1
14	Clip, Governor Holder	90602-ze1-000	2456697	1
15	Oil Seal (28x41.25x6)	91202-ZM0-V31	6315865	1
16	Washer, Plain (6mm)	94101-06800	0345900	1
17	Pin, Lock (8mm)	94251-08000	0115527	1
18	Pin, Dowel 98c20)	94301-08200	1417369	2
19	Gauge Assy., Oil Level	15650-ZM0-003	5722996	1
20	Bolt, Drain Plug	90131-896-650	1986231	1
21	Washer, Drain Plug	94109-12000	0171868	1

# REPAIR PARTS

Honda Engine Model Number GCV160A

## CRANKSHAFT

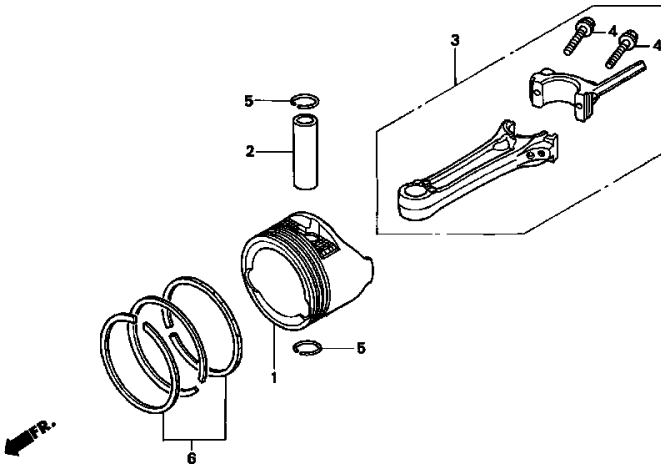


<u>Ref</u>	<u>Description</u>	<u>Part Number</u>	<u>H/C</u>	<u>Qty</u>
5	Washer, Thrust	90402-ZL8-000	5581012	1
6	Crankshaft	13310-Z0L-650	6696702	1

# REPAIR PARTS

Honda Engine Model Number GCV160A

## CRANKSHAFT



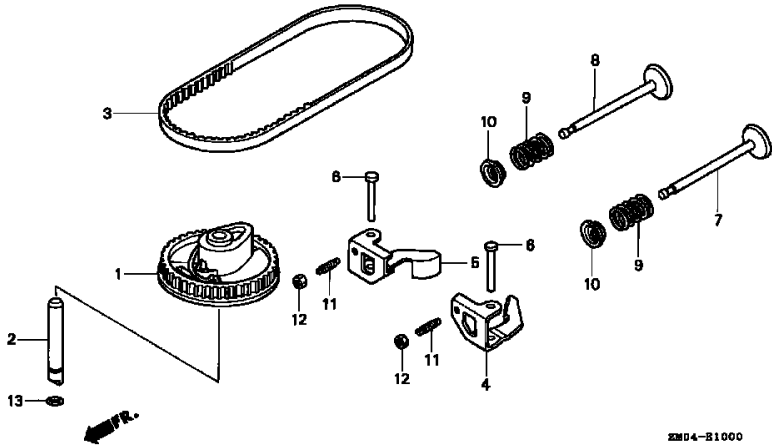
ZM04-H0800A

<u>Ref</u>	<u>Description</u>	<u>Part Number</u>	<u>H/C</u>	<u>Qty</u>
1	Piston	13101-ZL8-000	5580014	1
2	Pin, Piston	13111-ZE0-000	1426576	1
3	Rod Assy., Connecting	13200-ZL8-000	5580022	1
4	Bolt, Connecting Rod	90001-ZE1-000	1431055	2
5	Clip, Piston Pin (13mm)	90551-ZE0-000	2605517	2
6	Ring Set, Piston (TEIKOKU)	13010-ZL8-014	6315717	1

# REPAIR PARTS

Honda Engine Model Number GCV160A

## CRANKSHAFT PULLEY

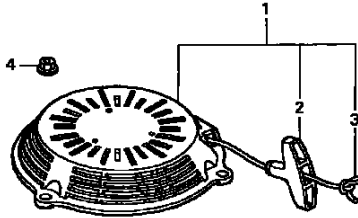


<u>Ref</u>	<u>Description</u>	<u>Part Number</u>	<u>H/C</u>	<u>Qty</u>
1	Pulley, Camshaft	14320-ZL8-000	5580055	1
2	Shaft, Cam Pulley	14324-ZL8-000	5580063	1
3	Belt, Timing (84HU7 G-200)	14400-Z0J-004	6637417	1
4	Arm, In. Valve Rocker	14431-ZL8-000	5580089	1
5	Arm, EX. Valve Rocker	14441-ZL8-000	5580097	1
6	Shaft, Rocker Arm	14461-ZL8-000	5580105	2
7	Valve, In.	14711-ZL8-000	5580113	1
8	Valve, Ex	14721-ZL8-000	5580121	1
9	Spring, Valve	14751-ZL8-000	5580139	2
10	Retainer, In. Valve Spring	14771-ZE1-000	1426980	2
11	Screw, Tappet Adj.	90012-333-000	0294819	2
12	Nut, Tappet Adj.	90206-001-000	0004598	2
13	O-Ring (6.8x1.9)	91301-ZM0-V31	6315873	1

# REPAIR PARTS

Honda Engine Model Number GCV160A

## CRANKSHAFT PULLEY



ZM04-E1100 A

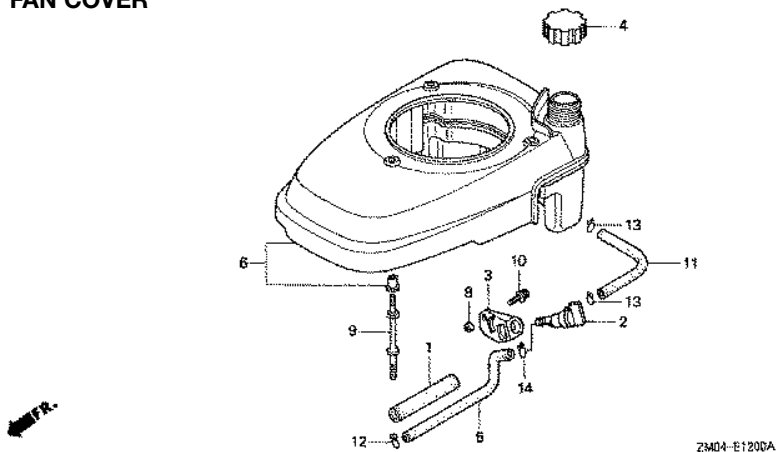
<u>Ref</u>	<u>Description</u>	<u>Part Number</u>	<u>H/C</u>	<u>Qty</u>
1	Starter Assy., Recoil *NH1* (black)	28400-ZL8-013ZA	6061204	1
2	Knob, Recoil Starter	28461-ZL8-003	5580634	1
3	Rope, Recoil Starter	28462-ZL8-003	5611454	1
4	Nut, Flange (6mm)	90201-ZM0-000	6478812	3



# REPAIR PARTS

Honda Engine Model Number GCV160A

## FAN COVER



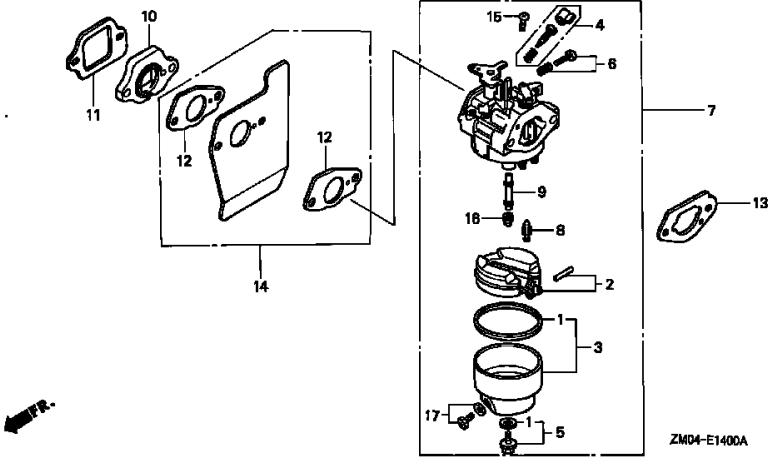
ZM04-E1200A

<u>Ref</u>	<u>Description</u>	<u>Part Number</u>	<u>H/C</u>	<u>Qty</u>
1	Rubber, Supporter (107mm)	16854-ZH8-000	3683646	1
2	Petcock Assy. (MAN)	16950-ZG9-M02	5028923	1
3	Bracket, Petcock	16956-ZM0-000	5580394	1
4	Cap Assy., Fuel Tank	17620-ZL8-013	6673289	1
5	Tube, Fuel	17702-ZM0-000	5580469	1
6	Cover, Fan *NH1*(black)	19610-ZM0-010ZA	6132989	1
8	Collar, Fr. Turn Signal	33600-GK4-620	2499440	1
9	Bolt, Stud	90043-ZL8-000	5581004	3
10	Screw-Washer (5x10)	93891-05010-08	0671636	1
11	Bulk Hose, Fuel (5.5x800) (5.5x150)	95001-55008-40M	2449593	1
12	Clip, Tube (B8)	95002-02080	0250647	1
13	Clip, Tube (B10)	95002-02100	0250985	2
14	Clip, Tube (C9)	95002-50000	0053447	1

# REPAIR PARTS

Honda Engine Model Number GCV160A

## CARBURETOR



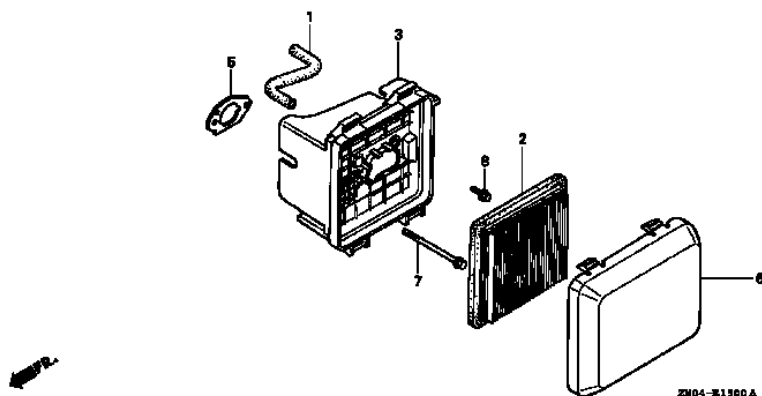
ZM04-E1400A

<u>Ref</u>	<u>Description</u>	<u>Part Number</u>	<u>H/C</u>	<u>Qty</u>
1	Gasket Set	16010-883-015	3088416	1
2	Float Set	16013-ZL1-003	5580162	1
3	Chamber Set, Float	16015-887-782	3465879	1
4	Screw Set	16016-ZG0-W00	4481818	1
5	Screw Set B	16028-ZE0-005	1441518	1
6	Screw Set	16029-ZG0-901	5580170	1
7	Carburetor Assembly (BB62B D)	16100-ZM0-803	6212849	1
8	Valve, Float	16155-ZM0-003	5580212	1
9	Nozzle, Main	16166-ZM0-003	5580220	1
10	Insulator, Carburetor	16211-ZL8-000	5580238	1
11	Gasket, Insulator	16212-ZL8-000	5580246	1
12	Gasket, Carburetor	16221-883-800	4581120	2
13	Gasket, Carburetor (Choke Side)	16228-ZL8-000	5580253	1
14	Guide, Air	19650-ZM0-000	5580535	1
15	Screw, Pan (5x6)	93500-05006-0H	0639419	1
16	Jet, Main (#60)	99101-124-0600	0635474	1
	Jet, Main (#62)	99101-124-0620	0635482	1
	Jet, Main (#65)	99101-124-0650	0636126	1
17	Screw Set, Drain	16024-ZE1-811	1672187	1

# REPAIR PARTS

Honda Engine Model Number GCV160A

## AIR CLEANER

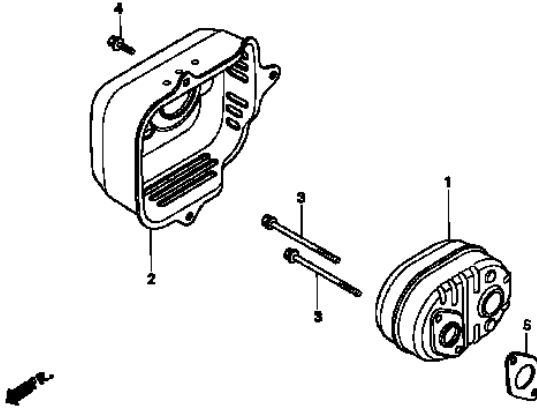


<u>Ref</u>	<u>Description</u>	<u>Part Number</u>	<u>H/C</u>	<u>Qty</u>
1	Tube Breather	15721-ZM0-000	5580154	1
2	Element, Air Cleaner	17211-ZL8-000	5580402	1
3	Case Assembly, Air Cleaner	17220-ZM0-000	5580410	1
5	Gasket, Air Cleaner	17228-ZM0-000	5664560	1
6	Cover, Air Cleaner	17231-X0L-000	6673255	1
7	Bolt, Flange (6x86) (CT200)	90003-Z0L-000	5580964	2
8	Bolt, Flange (6x14)	95701-06014-08	2374742	1

# REPAIR PARTS

Honda Engine Model Number GCV160A

## MUFFLER



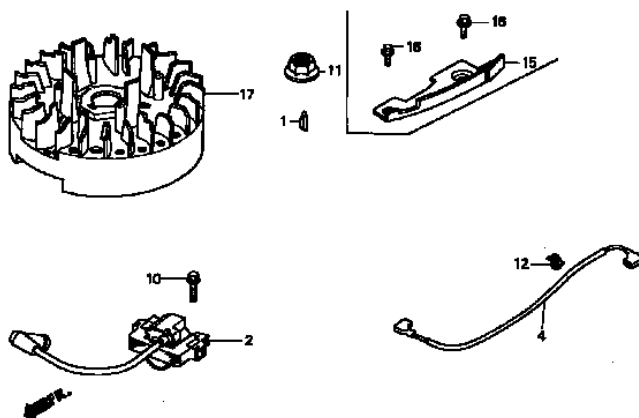
ZM04-E1800A

<u>Ref</u>	<u>Description</u>	<u>Part Number</u>	<u>H/C</u>	<u>Qty</u>
1	Muffler	18310-ZM0-000	5580485	1
2	Protector, Muffler	18321-ZL8-000	5580501	1
3	Bolt, Flange (6x79) (CT200)	90004-ZL8-000	5580972	2
4	Bolt, Flange (6x12) (CT200)	90013-883-000	0636845	3
5	Gasket, Muffler	18381-ZL8-305	5737457	1

# REPAIR PARTS

Honda Engine Model Number GCV160A

## FLYWHEEL



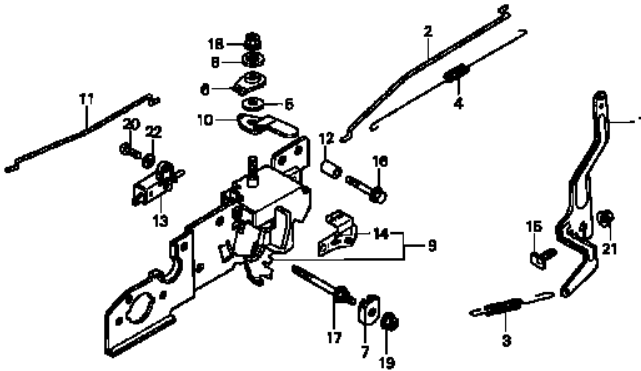
ZMD4-E19008

<u>Ref</u>	<u>Description</u>	<u>Part Number</u>	<u>H/C</u>	<u>Qty</u>
1	Key, Special Woodruff (25x18)	13331-357-000	0348433	1
2	Coil Assembly, Ignition	30500-ZL8-004	5580659	1
4	Wire, Stop Watch	32195-ZM0-800	6315816	1
10	Bolt, Flange (6x20) (CT200)	90022-888-010	0671552	1
11	Nut, Special (14MM)	90201-878-003	0442038	1
12	Clip, Cable (A)	90681-959-003	1824630	1
15	Plate Side	19612-ZM0-000	6315782	1
16	Bolt, Flange (6x12) (CT200)	90013-883-000	0636845	2
17	Flywheel	31110-ZL8-004	5656053	1

# REPAIR PARTS

Honda Engine Model Number GCV160A

## CONTROL (2)



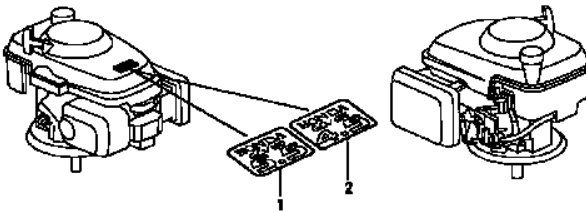
ZM04-E2201

<u>Ref</u>	<u>Description</u>	<u>Part Number</u>	<u>H/C</u>	<u>Qty</u>
1	Arm, Governor	16551-ZM0-000	5580311	1
2	Rod, Governor	16555-ZM0-000	5580329	1
3	Spring, Governor	16561-ZM0-V30	6315725	1
4	Spring, Throttle Return	16562-ZM0-000	5580352	1
5	Spring, Lever	16574-ZE1-000	1427384	1
6	Washer, Control Lever	16575-ZE2-W00	3678679	1
7	Plate, Lever Center	16577-ZM0-V30	6315741	1
8	Spacer, Control Lever	16578-ZE1-000	1427400	1
9	Base Control	16580-ZM0-V30	6315758	1
10	Lever, Choke	16612-ZM0-V30	6315766	1
11	Rod, Choke	16674-ZM0-V30	6315774	1
12	Collar (9.2x15x20.5)	91501-ZM0-V30	6363733	1
13	Switch Assembly, Engine Stop (N.0)	35120-ZL8-003	5611520	1
14	Mark, Throttle Indication	87532-ZM0-V30	6315832	1
15	Bolt, Governor Arm	90015-ZE5-010	2418671	1
16	Bolt, Flange (6x32)	90017-883-000	0636076	1
17	Bolt, Special (6x45)	90016-ZM0-V30	6315840	1
18	Nut, Self-Lock (6MM)	90114-SA0-000	1410182	1
19	Nut, Self-Lock (5MM)	90136-SM4-901	3596095	1
20	Screw-Washer (4x12)	93892-04012-00	0485946	1
21	Nut, Flange (6MM)	94050-06000	0471623	1
22	Washer, Plain (4MM)	94103-04000	1510361	1

# REPAIR PARTS

Honda Engine Model Number GCV160A

## LABELS



ZM04-E28008

<u>Ref</u>	<u>Description</u>	<u>Part Number</u>	<u>H/C</u>	<u>Qty</u>
1	Mark, Emblem (5.5)	87101-ZM0-000	5580865	1

## TABLE DES MATIÈRES

<b>GARANTIE</b> .....	40
<b>TABLEAU DES SPÉCIFICATIONS</b> .....	41
<b>MESURES DE SÉCURITÉ – DÉFINITIONS</b> .....	41
<b>RENSEIGNEMENTS SUR LA SÉCURITÉ DU CONSOMMATEUR</b> .....	41
<b>MESURES DE SÉCURITÉ IMPORTANTES</b> .....	42-45
<b>CONTENU DE LA BOÎTE</b> .....	45
<b>ASSEMBLAGE</b> .....	46-47
<b>UTILISATION</b> .....	48-53
<b>ENTRETIEN</b> .....	53-56
<b>ENTREPOSAGE</b> .....	57-58
<b>GUIDE DE DÉPANNAGE</b> .....	59-61
<b>PIÈCES DE RECHANGE</b> .....	62-77
<b>COMMANDE DES PIÈCES DE RECHANGE</b> .....	Couverture arrière

## GARANTIE

### GARANTIE COMPLÈTE DE UN AN SUR LES LAVEUSES À PRESSION

Si cette laveuse à pression arrête de fonctionner à cause d'un défaut de fabrication ou de main-d'œuvre dans une période d'un an à compter de la date d'achat, RETOURNEZ-LA AU CENTRE DE SERVICE APRÈS-VENTE SEARS LE PLUS PROCHE AU CANADA ET SEARS LA RÉPARERA SANS FRAIS.

Si cette laveuse à pression est utilisée à des fins commerciales ou comme appareil de location, la garantie ne s'applique que pour une période de quatre-vingt-dix (90) jours à compter de la date d'achat.

Cette garantie sur la laveuse à pression de Craftsman vous donne des droits particuliers. Il se peut que vous ayez d'autres droits qui varient d'une province à l'autre.

**Sears Canada, Inc., Toronto, Ont. M5B 2B8**



## TABLEAU DES SPÉCIFICATIONS

<b>N° de modèle</b>	<b>919.672190</b>
<b>Laveuse à pression</b>	
Pression	2 500 lb/po <sup>2</sup>
Débit	2,5 gal./min
Unités de nettoyage (gal./min x lb/po <sup>2</sup> )	5 250
<b>Moteur</b>	
Tr./min	3 600
Puissance nominale en chevaux	5,5
Écartement de la bougie d'allumage	0,030 po (0,76 mm)
Capacité du réservoir à carburant	0,29 gallon (1,1 litre)
Capacité d'huile : 0,58 pinte (0,55 litre)	SAE 30

## MESURES DE SÉCURITÉ - DÉFINITIONS

Ce guide contient des renseignements importants que vous deviez bien saisir. Cette information porte sur **VOTRE SÉCURITÉ** et sur **LA PRÉVENTION DE PROBLÈMES D'ÉQUIPEMENT**. Afin de vous aider à identifier cette information, nous avons utilisé les symboles ci-dessous. Veuillez lire attentivement ce guide en portant une attention particulière à ces symboles.

<p><b>⚠ DANGER</b> Indique un danger imminent qui, s'il n'est pas évité, <b>causera de graves blessures ou la mort.</b></p>	<p><b>⚠ MISE EN GARDE</b> Indique la possibilité d'un danger qui, s'il n'est pas évité, <b>peut causer des blessures mineures ou moyennes.</b></p>
<p><b>⚠ AVERTISSEMENT</b> Indique la possibilité d'un danger qui, s'il n'est pas évité, <b>pourrait causer de graves blessures ou la mort.</b></p>	<p><b>MISE EN GARDE</b> Sans le symbole d'alerte. Indique la possibilité d'un danger qui, s'il n'est pas évité, <b>peut causer des dommages à la propriété.</b></p>

## RENSEIGNEMENTS SUR LA SÉCURITÉ DU CONSOMMATEUR

**⚠ AVERTISSEMENT** Il se peut que ce produit ne soit pas équipé d'un silencieux à pare-étincelles. Si le produit n'en est pas équipé, et s'il est utilisé près de matériaux inflammables ou sur de la terre couverte de produits agricoles, forêts, broussailles, gazon ou autres articles semblables, un pare-étincelles approuvé doit être posé, et est exigé par la loi en Californie. Selon la section 130050 de la loi de la Californie, et les sections 4442 et 4443 du Code sur les ressources publiques de la Californie, ce produit ne peut pas être utilisé en Californie, à moins que le moteur ne soit équipé d'un pare-étincelles, tel que décrit dans la section 4442, et à moins que l'appareil ne soit maintenu en bon état de fonctionnement. Des pare-étincelles sont également requis sur certaines terres forestières des États-Unis et peuvent être exigés légalement sous certains autres lois et arrêtés.

**⚠ AVERTISSEMENT** Les gaz d'échappement du moteur contiennent des produits chimiques qui, dans certaines quantités, peuvent causer le cancer, les anomalies congénitales ou d'autres maux de reproduction.

# MESURES DE SÉCURITÉ IMPORTANTES

## ⚠ AVERTISSEMENT

Lisez le Guide de l'utilisateur. Ne tentez pas d'utiliser cet appareil avant d'avoir lu les directives sur la sécurité, l'assemblage, l'utilisation et l'entretien de ce Guide de l'utilisateur.

### LISEZ ET CONSERVEZ CES INSTRUCTIONS

<b>DANGER</b>	
<b>⚠ DANGER RISQUE D'EXPLOSION OU D'INCENDIE</b>	
<b>RISQUE</b>	<b>PRÉVENTION</b>
<ul style="list-style-type: none"> <li>L'essence répandue par déversement et les vapeurs qui en émanent risquent de s'enflammer en présence d'étincelles provenant d'une cigarette allumée, d'un arc électrique, de gaz d'échappement et de pièces chaudes du moteur, telles que le silencieux.</li> </ul>	<ul style="list-style-type: none"> <li>Couper le moteur et le laisser refroidir avant d'ajouter de carburant au réservoir.</li> <li>Prendre des précautions lors du remplissage du réservoir pour éviter le déversement de carburant. Placer la laveuse à pression loin du lieu de remplissage avant de démarrer le moteur.</li> </ul>
<ul style="list-style-type: none"> <li>La chaleur peut causer l'expansion de carburant dans le réservoir pouvant aboutir à un déversement et provoquer un incendie ou une explosion.</li> </ul>	<ul style="list-style-type: none"> <li>Maintenir le niveau maximal de carburant à environ 13mm (½ po) du haut du réservoir afin de permettre l'expansion de l'essence.</li> </ul>
<ul style="list-style-type: none"> <li>Le fait d'utiliser la laveuse à pression dans un milieu explosif peut aboutir à un incendie.</li> </ul>	<ul style="list-style-type: none"> <li>Faire le plein et utiliser l'équipement dans un endroit bien aéré et libre de toutes obstructions. Equiper ces lieux d'extincteurs appropriés pour combattre les incendies comprenant à base d'essence.</li> </ul>
<ul style="list-style-type: none"> <li>Des matières placées contre ou à proximité de la laveuse à pression peuvent nuire à une ventilation adéquate provoquant ainsi une surchauffe et un risque d'inflammation de ces matières.</li> </ul>	<ul style="list-style-type: none"> <li>Ne jamais faire fonctionner la laveuse à pression dans un endroit comprenant des herbes ou buissons secs.</li> </ul>
<ul style="list-style-type: none"> <li>La chaleur des gaz d'échappement du silencieux peut endommager les surfaces peintes, faire fondre des matériaux sensibles à la chaleur (tels que le revêtement d'extérieur, le plastique, le caoutchouc et le vinyle) et endommager les plantes.</li> </ul>	<ul style="list-style-type: none"> <li>Toujours garder la laveuse à pression à une distance minimum de quatre pieds 1,2 m (4 pieds) des surfaces qui pourraient être endommagées par les gaz d'échappement du silencieux (telles que les maisons, automobiles ou plantes).</li> </ul>
<ul style="list-style-type: none"> <li>Un entreposage inapproprié du carburant peut causer une inflammation accidentelle. Le carburant qui n'est pas rangé de façon sécuritaire peut tomber entre les mains d'un enfant ou autres personnes non compétentes.</li> </ul>	<ul style="list-style-type: none"> <li>Placer le carburant dans un contenant approuvé par l'OSHA et le ranger dans un lieu sûr, loin de l'aire de travail.</li> </ul>
<ul style="list-style-type: none"> <li>L'utilisation d'acides, de produits chimiques toxiques ou corrosifs, de poisons, d'insecticides ou de toute sorte de solvant inflammable dans ce produit pourrait provoquer des blessures graves ou la mort.</li> </ul>	<ul style="list-style-type: none"> <li>Ne pas vaporiser des liquides inflammables.</li> <li>Ne remplissez jamais les réservoirs de solution de nettoyage avec de l'essence ou autres solvants inflammables.</li> </ul>

<b>DANGER</b>	
<b>⚠ DANGER RISQUE PAR INHALATION</b>	
<b>RISQUE</b>	<b>PRÉVENTION</b>
<ul style="list-style-type: none"> <li>L'inhalation des émanations d'échappement peut causer de graves blessures ou la mort !</li> </ul>	<ul style="list-style-type: none"> <li>Utiliser la laveuse à pression dans un endroit bien aéré. Éviter les endroits clos tels que les garages, sous-sols, etc.</li> <li>Ne jamais utiliser l'appareil dans un endroit occupé par d'autres personnes ou des animaux.</li> </ul>
<ul style="list-style-type: none"> <li>Certains nettoyeurs liquides contiennent des substances pouvant causer des lésions à la peau, aux yeux et aux poumons.</li> </ul>	<ul style="list-style-type: none"> <li>N'utiliser que des liquides de nettoyage recommandés pour des laveuses à pression. Suivre les recommandations du fabricant. Ne pas utiliser d'eau de Javel ou tout autre produit corrosif.</li> </ul>

<b>DANGER</b>	
<div style="display: flex; justify-content: space-between; align-items: center;"> <div style="background-color: black; color: white; padding: 5px; display: flex; align-items: center;"> <b>DANGER</b> </div> <div style="text-align: center;"> <b>RISQUE DE BLESSURES ET DE DOMMAGES À LA PROPRIÉTÉ PENDANT LE TRANSPORT OU L'ENTREPOSAGE</b> </div> <div style="text-align: right;"> </div> </div>	
RISQUE	PRÉVENTION
<ul style="list-style-type: none"> <li>Des fuites ou des déversements de carburant ou d'huile peuvent se produire et entraîner des risques d'incendie ou des problèmes aux voies respiratoires, des blessures graves ou la mort. Des fuites de carburant ou d'huile endommagent les tapis, la peinture et d'autres surfaces dans les véhicules et les remorques.</li> </ul>	<ul style="list-style-type: none"> <li>Si la laveuse à pression est munie d'une soupape d'arrêt, tourner la soupape à la position fermée avant le transport pour éviter tout risque de fuite. Si l'appareil n'est pas muni d'une soupape d'arrêt, vidanger le carburant du réservoir avant le transport. Ne transporter le carburant que dans des contenants approuvés par l'OSHA. Pour le transport, toujours placer la laveuse à pression sur un tapis protecteur pour éviter l'endommagement du véhicule par des fuites. Retirer la laveuse à pression du véhicule immédiatement à l'arrivée.</li> </ul>

<b>DANGER</b>	
<div style="display: flex; justify-content: space-between; align-items: center;"> <div style="background-color: black; color: white; padding: 5px; display: flex; align-items: center;"> <b>DANGER</b> </div> <div style="text-align: center;"> <b>RISQUE D'INJECTION D'UN FLUIDE</b> </div> <div style="text-align: right;"> </div> </div>	
RISQUE	PRÉVENTION
<ul style="list-style-type: none"> <li>La laveuse à pression fonctionne à une pression et à une vitesse suffisamment élevées pour faire pénétrer le fluide dans la peau de personnes ou d'animaux et causer des blessures graves ou la nécessité d'une amputation. Une fuite causée par des raccords relâchés ou usés ou par un boyau endommagé peut aboutir à une blessure par injection. <b>NE PAS TRAITER L'INJECTION D'UN FLUIDE COMME UNE SIMPLE COUPURE !</b> Consulter immédiatement un médecin !</li> <li>On risque de subir des blessures si la pression du système n'est pas diminuée avant de tenter tout entretien ou démontage.</li> </ul>	<ul style="list-style-type: none"> <li>Ne jamais placer la main devant la buse.</li> <li>Diriger le jet de vaporisation loin de soi et d'autrui.</li> <li>S'assurer que le boyau et les raccords sont bien serrés et en bon état. Ne jamais se cramponner au boyau ou aux raccords lors de l'utilisation de l'appareil.</li> <li>Éviter tout contact du boyau avec le silencieux.</li> <li>Ne jamais mettre ni enlever les raccords de la lance ou du boyau lorsque l'appareil est pressurisé.</li> <li>Pour dégager la pression de l'appareil, couper le moteur, couper l'alimentation d'eau et enfoncer la détente du pistolet jusqu'à ce que l'eau arrête de s'écouler.</li> <li>N'utiliser qu'un boyau et des accessoires à haute pression classés pour un service nominal plus élevé que la puissance nominale (lb/ps<sup>2</sup>) de l'appareil.</li> </ul>

<b>DANGER</b>	
<div style="display: flex; justify-content: space-between; align-items: center;"> <div style="background-color: black; color: white; padding: 5px; display: flex; align-items: center;"> <b>AVERTISSEMENT</b> </div> <div style="text-align: center;"> <b>RISQUE DE BRÛLURES CHIMIQUES</b> </div> <div style="text-align: right;"> </div> </div>	
RISQUE	PRÉVENTION
<ul style="list-style-type: none"> <li>L'utilisation d'acides, de produits chimiques toxiques ou corrosifs, de poisons, d'insecticides ou de toute sorte de solvant inflammable dans ce produit pourrait provoquer des blessures graves ou la mort.</li> </ul>	<ul style="list-style-type: none"> <li>Ne pas utiliser d'acides, d'essence, de kérosène ou toute autre matière inflammable avec cet appareil. N'employer que des détergents, nettoyeurs ou dégraisseurs d'entretien ménager qui sont recommandés pour une utilisation avec une laveuse à pression.</li> <li>Lire attentivement tous les avertissements et instructions fournis par le fabricant de la solution de nettoyage.</li> <li>Porter un équipement et des vêtements de protection pour se protéger les yeux et la peau contre tout contact avec des matières vaporisées.</li> </ul>

<b>DANGER</b>	
<b>⚠ DANGER RISQUE D'UNE UTILISATION NON SÉCURITAIRE</b>	
<b>RISQUE</b>	<b>PRÉVENTION</b>
<ul style="list-style-type: none"> <li>• Une utilisation de la laveuse à pression qui n'est pas conforme aux mesures de sécurité peut causer de graves blessures ou la mort de l'utilisateur ou d'autres personnes.</li> </ul>	<ul style="list-style-type: none"> <li>• Ne pas utiliser d'eau de Javel ou tout autre produit corrosif.</li> <li>• S'habituer au fonctionnement et aux commandes de la laveuse à pression.</li> <li>• Garder toutes les personnes non autorisées, les animaux domestiques et les obstacles loin de l'aire de vaporisation.</li> <li>• Ne pas utiliser l'appareil lorsque vous êtes fatigué ou sous l'effet de boissons alcooliques ou de drogues. Restez alerte à tout moment.</li> <li>• Ne jamais contourner un dispositif de sécurité de cet appareil.</li> <li>• Ne jamais utiliser un appareil auquel il manque des pièces, qui comprend des pièces brisées ou non autorisées par le fabricant.</li> <li>• Ne jamais s'éloigner de la lance lorsque l'appareil est en marche.</li> </ul>
<ul style="list-style-type: none"> <li>• Si la procédure de démarrage appropriée n'est pas suivie, le moteur peut provoquer des contre-coups et causer des blessures graves aux mains ou aux bras.</li> </ul>	<ul style="list-style-type: none"> <li>• Si le moteur ne démarre pas après deux essais, appuyer sur la détente du pistolet afin de dégager la pression de la pompe. Tirer lentement sur le cordon de démarrage jusqu'à ce qu'on sente une résistance. Tirer ensuite rapidement sur le cordon pour éviter les contre-coups et les blessures aux mains ou aux bras.</li> </ul>
<ul style="list-style-type: none"> <li>• Le pistolet/la lance de vaporisation est un outil de nettoyage puissant qui peut ressembler à un jouet aux yeux d'un enfant.</li> </ul>	<ul style="list-style-type: none"> <li>• Garder les enfants éloignés de la laveuse à pression à tout moment.</li> </ul>
<ul style="list-style-type: none"> <li>• La force de rétroaction du jet fait déplacer le pistolet/la lance et peut faire glisser ou tomber l'utilisateur ou provoquer un changement de direction du jet. Une mauvaise maîtrise du pistolet/de la lance peut causer des blessures à l'utilisateur ou à d'autres personnes.</li> </ul>	<ul style="list-style-type: none"> <li>• Ne pas trop éloigner le pistolet du corps et ne pas se tenir sur une surface instable. Saisir le pistolet/la lance fermement avec les deux mains. S'attendre à ressentir un contre-coup lors du déclenchement.</li> </ul>

<b>DANGER</b>	
<b>⚠ AVERTISSEMENT RISQUE DE CHOCS ÉLECTRIQUES</b>	
<b>RISQUE</b>	<b>PRÉVENTION</b>
<ul style="list-style-type: none"> <li>• Une vaporisation dirigée vers des prises de courant, des interrupteurs ou des objets branchés sur un circuit électrique peut causer des chocs électriques mortels.</li> </ul>	<ul style="list-style-type: none"> <li>• Débrancher tout appareil électrique avant de tenter de le nettoyer. Diriger le jet de vaporisation loin de toutes prises de courant et interrupteurs.</li> </ul>

<b>DANGER</b>	
<b>⚠ AVERTISSEMENT RISQUE DE SURFACES CHAUDES</b>	
<b>RISQUE</b>	<b>PRÉVENTION</b>
<ul style="list-style-type: none"> <li>• Le contact avec les surfaces chaudes, telles que les pièces d'échappement du moteur, peut provoquer des brûlures graves.</li> </ul>	<ul style="list-style-type: none"> <li>• Durant le fonctionnement de l'appareil, ne toucher qu'aux surfaces de commande de la laveuse à pression. Garder les enfants loin de la laveuse à pression en tout temps. Les enfants ne sont pas nécessairement capables de reconnaître les dangers que comporte cet appareil.</li> </ul>

**DANGER****⚠ AVERTISSEMENT****RISQUE DE BLESSURES PAR VAPORISATION****RISQUE**

- Un fluide vaporisé à haute vitesse peut causer le bris d'objets et la propulsion de particules à vitesse élevée.
- Les objets légers ou qui ne sont pas fixés peuvent devenir de dangereux projectiles.

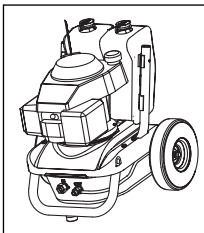
**PRÉVENTION**

- Toujours porter des lunettes de sécurité Z87 homologuées par l'ANSI. Porter des vêtements de protection pour se protéger contre toute vaporisation accidentelle.
- Ne jamais vaporiser ni pointer la lance en direction de personnes ou d'animaux.
- Toujours s'assurer que la détente est verrouillée lorsque la lance n'est pas utilisée afin de prévenir toute mise en marche accidentelle.
- Ne jamais fixer la détente en position enfoncée (ouverte) de façon permanente.

**⚠ MISE EN GARD**

Le puissant jet de la laveuse à pression est capable d'endommager les surfaces fragiles telles que le bois, le verre, la peinture d'automobiles, les garnitures d'auto ainsi que les objets délicats tels que les fleurs et arbustes. Avant de vaporiser, vérifiez l'objet à nettoyer afin de vous assurer qu'il est assez robuste pour résister à la puissance du jet sans subir de dommages. Évitez d'utiliser le jet à débit concentré sauf pour des surfaces très résistantes telles que le béton ou l'acier.

Le fait de faire fonctionner l'appareil sans alimentation d'eau endommagera l'appareil. L'utilisation de l'appareil sans alimentation d'eau annulera la garantie. Vous ne devez jamais faire fonctionner l'appareil plus de deux (2) minutes sans appuyer sur la détente du pistolet afin de permettre à l'eau fraîche d'entrer dans la pompe et à l'eau chauffée (recirculée) d'en sortir.

**CONTENU DE LA BOÎTE**

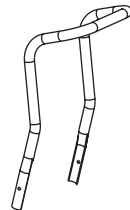
Ensemble de châssis  
de moteur avec roues



Tableau d'accessoires  
n° de pièce D25081

Guide de  
l'utilisateur  
en anglais et  
français

Tableau d'accessoires dans un sac



Poignée  
n° de pièce D22316  
avec vis - n° de pièce D22901

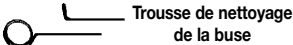
Boutons  
n° de  
pièce  
16471



Boutons de  
selle n° de  
pièce D23196



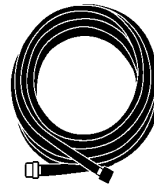
Boyaux de  
produit chimique  
n° de pièce H140



Trousse de nettoyage  
de la buse

Clé Allen - no de pièce 16767  
Outil de nettoyage - n° de pièce NCT001

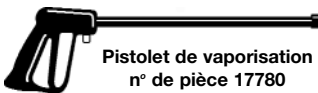
Pièces dans un sac



Boyaux à haute  
pression  
n° de pièce  
D22166



Huile à moteur



Pistolet de vaporisation  
n° de pièce 17780



Lance de vaporisation à réglages multiples  
n° de pièce D22837

## ASSEMBLAGE

1. Retirez de l'ensemble de châssis les réservoirs de solution de nettoyage. Glissez les réservoirs vers le haut et éloignez-les de l'ensemble de châssis.



2. Placez l'ensemble de poignée sur le châssis et attachez la poignée au châssis. **REMARQUE** : Les boutons doivent être fixés à l'extérieur du châssis.



3. Attachez la lance au pistolet et bien serrer.

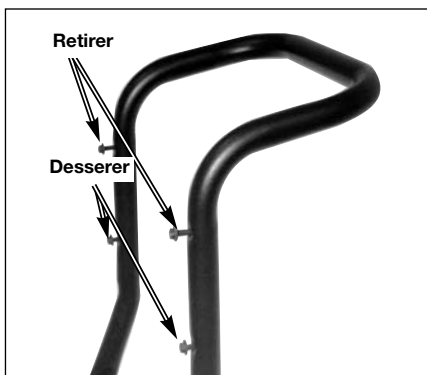


4. Attachez le boyau à haute pression au pistolet et bien serrer.

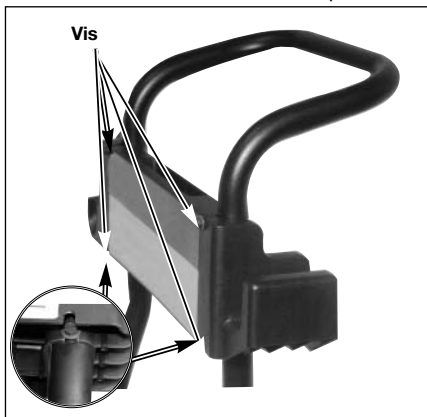


5. Assemblage du tableau d'accessoires:

- Retirez les vis supérieures de l'ensemble de poignée.
- Desserrez les vis inférieures de l'ensemble de poignée.



- Positionnez les rainures du tableau d'accessoires sur les vis et mettez le tableau en place.

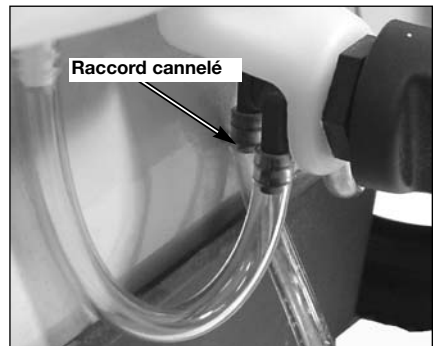


- d. Insérez les vis (retirées plus tôt) dans les trous supérieures et fixez le tableau d'accessoires sur les poignées. Ne pas trop serrer.

6. **Remettez en place les réservoirs de solution de nettoyage.** Inclinez les réservoirs de solution de nettoyage vers le moteur, glissez-les sur les poignées et enclenchez-les en place.

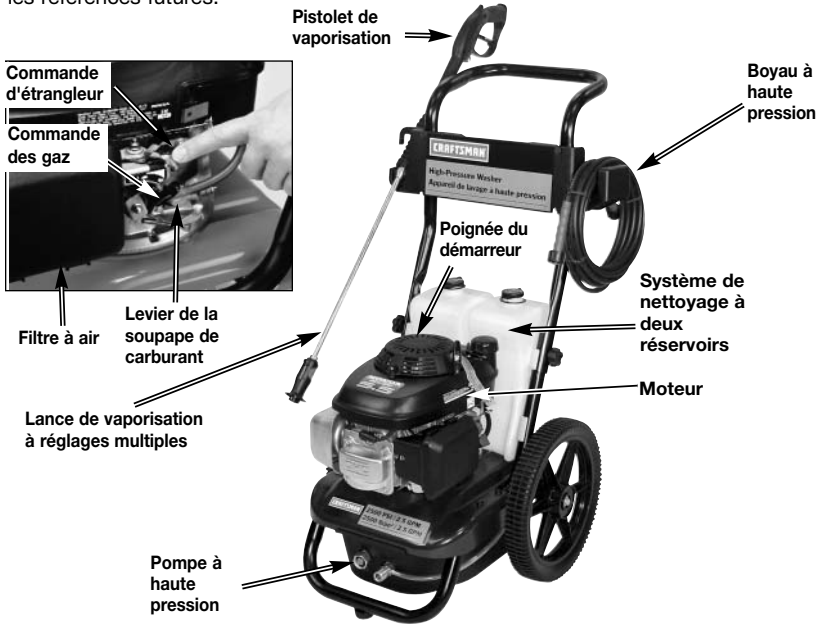


7. **Fixez le boyau de solution de nettoyage au raccord cannelé de la soupape de commande, située à l'arrière de l'appareil.**



# UTILISATION

LISEZ CE GUIDE DE L'UTILISATEUR ET TOUTES LES MESURES DE SÉCURITÉ AVANT D'UTILISER CET APPAREIL. Comparez les illustrations avec votre appareil afin de vous familiariser avec l'emplacement des commandes et des réglages. Conservez ce guide pour les références futures.



## LAVEUSE À PRESSION

**Pompe à haute pression (située à l'intérieur du bouclier)** : Augmente la pression de la source d'eau.

**Moteur** : Entraîne la pompe à haute pression.

**Boyaux à haute pression** : Achemine l'eau sous pression de la pompe vers le pistolet et la lance de vaporisation.

**Pistolet de vaporisation** : S'attache à la lance pour régler le débit d'eau, la direction et la pression.

**Lance à réglages multiples** : Comporte une buse de vaporisation réglable d'un jet de l'épaisseur d'un crayon (0°) jusqu'à un jet en éventail à angle large (40°). Le réglage de la vaporisation est effectué en tournant la buse dans le sens des aiguilles d'une montre ou dans le sens contraire. De plus, le réglage de haute ou de basse pression s'effectue en tirant la buse vers l'intérieur ou en la poussant vers l'extérieur. Voir le paragraphe intitulé " Utilisation de la lance " de cette section.

**Boyaux de rinçage d'injecteur de produit chimique (non illustré)** : Utilisé pour rincer l'injecteur de produit chimique après l'utilisation d'une solution de nettoyage.

**Système de nettoyage à deux réservoirs** : Permet de passer facilement d'une solution de nettoyage à une autre, selon les travaux de nettoyage à accomplir ; il suffit de tourner le bouton de la soupape de commande.

## MOTEUR

**Commande d'étrangleur** : Ouvre et ferme la soupape de l'étrangleur dans le carburateur.

**Levier de commande des gaz** : Commande la vitesse du moteur.

**Poignée du démarreur** : Tirer sur la poignée du démarreur fait fonctionner le lanceur à rappel pour démarrer le moteur.

**Levier de la soupape de carburant** : Ouvre et ferme la connexion entre le réservoir de carburant et le carburateur.



## TERMINOLOGIE DES LAVEUSES À PRESSION

**lb/po<sup>2</sup>** : livres par pouce carré. Une unité de mesure de pression d'eau. Également utilisé pour la pression d'air, la pression hydraulique, etc.

**GPM** : Gallons par minute. L'unité de mesure du débit d'eau.

**CU** : Unités de nettoyage. gal./min x lb/po<sup>2</sup>.

**Mode de dérivation** : En mode de dérivation, la pompe recircule simplement l'eau car la détente du pistolet de vaporisation n'est pas tirée. Si l'appareil demeure en mode de dérivation pendant plus de deux (2) minutes, la température de l'eau augmentera jusqu'à un niveau dangereux et endommagera des composantes internes de la pompe. Les dommages à la pompe causés par une telle situation ne sont pas couverts par la garantie.

**MISE EN GARDE** **NE faites PAS fonctionner votre appareil en mode de dérivation pendant plus de deux minutes à la fois. Toute surchauffe de la pompe entraînera des dommages à la pompe.**

**Soupape de décharge thermique** : Afin d'empêcher des dommages, les pompes sont équipées d'une soupape de décharge thermique. Cette soupape s'ouvrira lorsque la température à l'intérieur de la pompe devient trop élevée. Elle dégagera alors un jet d'eau afin d'abaisser la température à l'intérieur de la pompe et se refermera toute suite après. La soupape de décharge thermique constitue une partie de la pompe et elle n'est pas visible pour l'utilisateur.

**Injection d'un produit chimique** : Mélange les nettoyants et les solvants de nettoyage avec l'eau pour améliorer l'efficacité de nettoyage.

**Source d'eau** : Tous les appareils de lavage sous pression ont besoin d'une source d'eau. Les exigences minimums pour la source d'eau sont de 20 lb/po<sup>2</sup> et de 5 gallons (19 litres) à la minute.

## UTILISATION

**IMPORTANT** : Lisez attentivement la section sur l'utilisation de la laveuse à pression avant d'utiliser l'appareil.

## RÉGLAGE DE LA PRESSION

La pression est préréglée à l'usine afin d'obtenir une pression ainsi qu'un nettoyage optimums. La pression peut être diminuée de deux façons différentes.

1. Éloignez-vous de la surface à nettoyer. Plus vous êtes éloigné, moins sera la pression sur la surface à nettoyer.
2. Réduisez la vitesse du moteur à essence (tr/min). Lorsque la vitesse du moteur est réduite, la pression d'eau est diminuée aussi.

**MISE EN GARDE** **NE tentez PAS d'augmenter la pression de la pompe. Une pression plus élevée que celle réglée à l'usine peut endommager la pompe.**

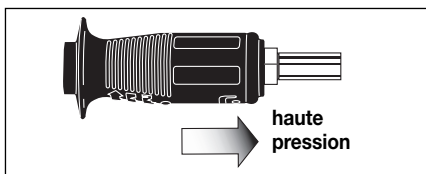
## UTILISATION DE LA LANCE

Votre laveuse à pression est équipée d'une lance à réglages multiples avec positions de haute et de basse pression. La position de haute pression est utilisée pour le nettoyage et le rinçage et la position de basse pression est utilisée pour l'application de solutions de nettoyage sur une surface.

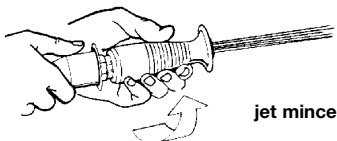
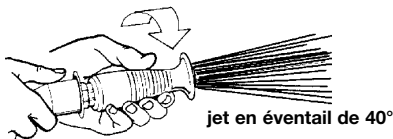
**DANGER** **Lorsque l'appareil est réglé pour une vaporisation à haute pression, ne dirigez jamais le jet de vaporisation vers la peau nue, les yeux ou vers tout animal domestique ou autre. Cela risque de provoquer des blessures graves.**

**AVERTISSEMENT** **Risque d'injection ou de blessures corporelles. Ne dirigez pas le jet de vaporisation vers d'autres personnes.**

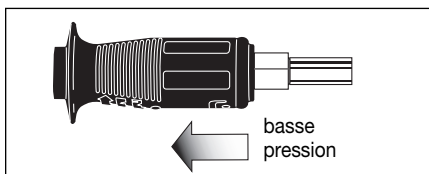
Pour la vaporisation à haute pression, tirez vers l'arrière la buse de la lance à réglages multiples, tel qu'illustré.



La buse à l'extrémité de la lance à réglages multiples peut être tournée pour changer le jet de vaporisation à haute pression d'un jet mince jusqu'à un jet en éventail de 40°, tel qu'illustré. Les marques sur la buse vous aideront à choisir le type de jet désiré.



Pour la vaporisation à basse pression, poussez la buse de la lance à réglages multiples vers l'avant, tel qu'illustré.

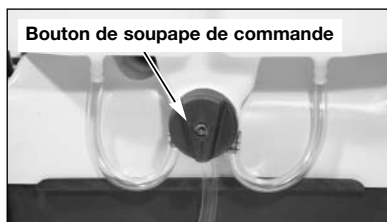


## UTILISATION DU SYSTÈME DE NETTOYAGE À DEUX RÉSERVOIRS

**REMARQUE :** Utilisez seulement des savons et des solutions de nettoyage conçus pour l'usage dans une laveuse à pression. **N'utilisez pas de l'eau de Javel.**

**Application des solutions de nettoyage :**

1. Assurez-vous que les réservoirs de solution de nettoyage sont montés et que tous les boyaux sont connectés.
2. Placez la flèche du bouton de la soupape de commande à la position basse (off), tel qu'illustré.

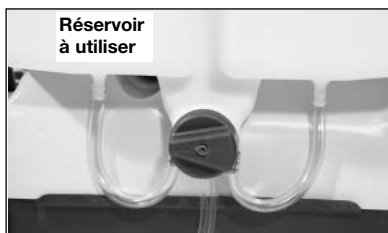


3. Versez la solution de nettoyage désirée dans les réservoirs. Chaque réservoir a une capacité d'environ 4,7 litres (1,25 gallon). **REMARQUE :**

Le rapport de solution de nettoyage/eau devrait être 7 à 1. Pour 7 gallons d'eau pompée, 1 gallon de solution de nettoyage sera utilisé.

**⚠ DANGER** Ne remplissez jamais les réservoirs de solution de nettoyage avec de l'essence ou autres solvants inflammables.

4. Tournez le bouton de la soupape de commande vers le réservoir avec la solution de nettoyage désiré.



5. Réglez la lance à réglages multiples à la position de pression basse. Consultez le paragraphe intitulé « Utilisation de la lance » de cette section.
6. Après avoir utilisé une solution de nettoyage, vous DEVEZ rincer l'injecteur de produit chimique. Après chaque utilisation, suivez les directives du paragraphe intitulé « Arrêt de la laveuse à pression ».

**REMARQUE :** La solution de nettoyage ne peut pas être siphonnée si la lance de vaporisation est réglée à la position de haute pression.

## CONSEILS POUR L'UTILISATION DES DEUX RÉSERVOIRS DE SOLUTION DE NETTOYAGE

1. Chacun des réservoirs peut être rempli avec une solution de nettoyage différente, selon les travaux de nettoyage à accomplir. Par exemple : Versez une solution de nettoyage pour terrasses dans un réservoir et une solution de nettoyage pour entrées dans l'autre. Nettoyez la terrasse avec la solution de nettoyage pour terrasses et tournez ensuite le bouton de commande vers le réservoir contenant la solution de nettoyage d'entrées pour nettoyer l'entrée.

2. Si vous utilisez seulement une solution de nettoyage, vous pouvez remplir les deux réservoirs avec la même solution afin de doubler la capacité avant de remplir les réservoirs de nouveau.
3. Si vous utilisez seulement une solution de nettoyage, vous pouvez remplir le deuxième réservoir avec de l'eau propre pour rincer facilement l'injecteur de produit chimique après l'usage.

## ARRÊT DE LA LAVEUSE À PRESSION

**IMPORTANT :** Lisez attentivement comment arrêter la laveuse à pression avant de l'utiliser.

1. Après avoir utilisé une solution de nettoyage, vous DEVEZ rincer l'injecteur de produit chimique afin d'empêcher les dommages à la pompe causés par une accumulation de solution. La garantie ne couvre pas les pompes endommagées parce que l'injecteur de produit chimique n'a pas été rincé de manière appropriée.

### Rincage de l'injecteur de produit chimique à l'aide du boyau de rinçage d'injecteur :

- a. Retirez le boyau de solution de nettoyage du raccord cannelé d'injecteur de produit chimique.




- b. Poussez le boyau de rinçage d'injecteur sur le raccord cannelé d'injecteur de produit chimique.



- c. Plongez l'autre extrémité du boyau de rinçage d'injecteur de produit chimique dans un récipient d'eau propre et appuyez sur la détente pour aspirer au moins 4 litres (1 gallon) d'eau propre à travers le système d'injection de produit chimique pour bien rincer le système.
- d. Avant de reconnecter le boyau de solution de nettoyage au raccord cannelé d'injecteur de produit chimique, assurez-vous que toute solution de nettoyage restante a été complètement vidangée du boyau.

### Rinçage du produit chimique à l'aide du réservoir du système de solution de nettoyage :

- a. Placez la flèche du bouton de la soupape de commande à la position basse (off).
- b. Versez de l'eau propre dans un des réservoirs du système de solution de nettoyage.
- c. Tournez le bouton de la soupape de commande vers le réservoir contenant l'eau propre.
- d. Appuyez sur la détente pour aspirer de l'eau propre à travers le système d'injection de produit chimique pour bien rincer le système.

2. Arrêtez le moteur en plaçant la commande des gaz à la position d'arrêt « OFF », 

### REMARQUE : NE fermez JAMAIS le robinet d'eau lorsque le moteur tourne.

3. Placez la soupape de carburant à la position d'arrêt « OFF » si vous n'avez pas l'intention de redémarrer le moteur bientôt.
4. Fermez le robinet de la source d'eau.
5. Appuyez sur la détente du pistolet de vaporisation pour dégager toute pression d'eau dans le boyau ou dans le pistolet.
6. Consultez la section sur l'entreposage de ce guide pour connaître les procédures d'entreposage appropriées.

**REMARQUE :** Si vous devez entreposer l'appareil pendant plus de 30 jours, vous devez vidanger la solution de nettoyage des réservoirs. Consultez la section « Entreposage » pour connaître la procédure appropriée.

## AVANT LE DÉMARRAGE

Lisez attentivement toute la section intitulée « Mesures de sécurité importantes » au début de ce guide, ainsi que les mises en garde et avertissements suivants, avant de démarrer la laveuse à pression.

### ⚠ AVERTISSEMENT

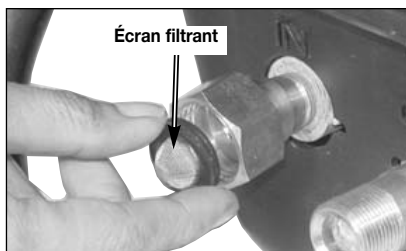
- Ne jamais remplir le réservoir à carburant jusqu'au bout. Remplissez-le jusqu'à  $\frac{1}{2}$  po en dessous du bas du culot de remplissage afin de permettre l'expansion du carburant. Essuyez tout carburant versé sur le moteur ou sur l'appareil avant de démarrer le moteur.
- Ne remplissez jamais le réservoir à carburant à l'intérieur ni lorsque le moteur est en marche. Ne jamais fumer en remplissant le réservoir à carburant.
- Ne mettez jamais le moteur en marche à l'intérieur ou dans un espace fermé sans aération adéquate. Les gaz de déchargement du moteur contiennent du monoxyde de carbone, un gaz inodore et mortel.

### MISE EN GARDE

- Ne fermez jamais le robinet de la source d'eau lorsque le moteur de l'appareil de lavage sous pression est en marche puisque cela risque d'endommager la pompe.
  - N'utilisez PAS d'eau chaude. Utilisez seulement de l'eau froide.
  - N'arrêtez PAS de vaporiser pendant plus de deux minutes à la fois.
1. Ajouter de l'essence pure, sans plomb, de haute qualité et ayant un indice d'octane de 86 ou plus. Ne pas trop remplir. Essayez l'essence déversée avant de démarrer le moteur.
  2. Retirez le bouchon de remplissage/jauge d'huile et ajoutez de l'huile à moteur (fournie) au moteur. **REMARQUE** : Une petite quantité d'huile a été versée dans le moteur pour effectuer les essais à l'usine. Vérifiez toujours le niveau d'huile avant le démarrage.

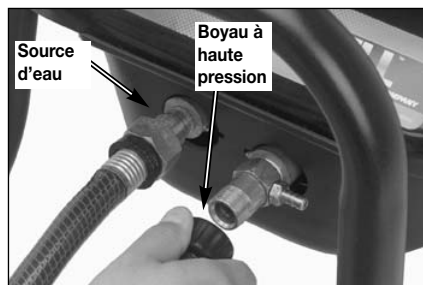


3. Assurez-vous que l'écran filtrant est dans l'orifice d'entrée d'eau de la pompe, tel qu'illustré. **REMARQUE** : Le côté conique doit être dirigé vers l'extérieur.





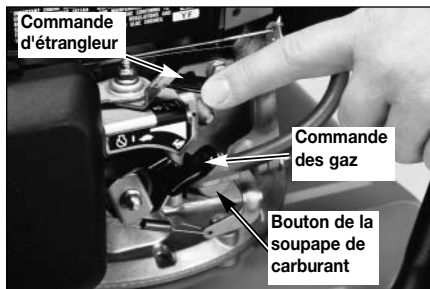
4. Attachez le boyau à haute pression à la sortie de la pompe.
5. Branchez la source d'eau à l'orifice d'entrée de la pompe.

**REMARQUE** : La source d'eau doit fournir un minimum de 5 gallons par minute à 20 lb/po<sup>2</sup>.



6. Si vous voulez appliquer une solution de nettoyage, consultez la partie intitulée « Utilisation du système de nettoyage à deux réservoirs » de la section « Utilisation » de ce guide.
7. Ouvrez le robinet de la source d'eau. **REMARQUE** : Assurez-vous que le robinet de la source d'eau est ouvert.
8. Placez la soupape de carburant à la position de marche « ON » en tournant un quart de tour dans le sens inverse des aiguilles d'une montre.

9. Placez le levier de commande d'étrangleur à la position « CHOKE ON »  et la commande des gaz à la position rapide « FAST »  **REMARQUE** : L'étrangleur n'est pas nécessaire pour démarrer un moteur chaud.



10. Tirez lentement la prise du démarreur jusqu'à ce que vous sentiez une résistance et tirez brusquement ensuite. Relâchez doucement la prise du démarreur. Tirez le cordon en effectuant un mouvement rapide et complet du bras. Laissez le cordon s'enrouler lentement. Répétez au besoin.

### **⚠ AVERTISSEMENT**

**Si le moteur ne démarre pas**

**après deux essais, appuyez sur la détente afin de dégager la pression.**

11. Si vous avez utilisé la commande d'étrangleur lors du démarrage, remplacez le levier d'étrangleur à la position d'arrêt « OFF ».
12. Appuyez sur la détente du pistolet pour commencer la vaporisation d'eau.  
**REMARQUE** : Tenez-vous sur une surface stable et saisissez le pistolet/la lance fermement avec les deux mains. Attendez-vous à ressentir un contre-coup lors du déclenchement.
13. Relâchez la détente pour l'arrêter.
14. Réglez le jet de vaporisation de la buse pour correspondre à la tâche à effectuer. Consultez les directives intitulées « **Utilisation de la lance** » de cette section.

### **⚠ AVERTISSEMENT**

**NE laissez PAS les boyaux entrer**

**en contact avec le silencieux du moteur qui est extrêmement chaud, lors de l'utilisation de la laveuse à pression ou tout de suite après.**

## ENTRETIEN

### **⚠ DANGER**

**En effectuant l'entretien, vous pouvez être exposé à des surfaces chaudes, à l'eau sous pression ou à des pièces en mouvement qui peuvent causer des blessures graves ou la mort !**

**Avant d'effectuer tout entretien ou toute réparation, débranchez le fil de la bougie d'allumage, attendez jusqu'à ce que le moteur soit refroidi et dégagez l'eau sous pression. Le moteur contient du carburant inflammable. NE FUMEZ PAS et ne travaillez pas près d'une flamme nue en effectuant l'entretien**

Afin d'assurer le bon fonctionnement et une durée de vie prolongée de votre laveuse à pression, vous devez préparer et suivre un calendrier d'entretien régulier. Si votre laveuse à pression est utilisée dans un environnement défavorable, tel qu'à des températures élevées ou des conditions poussiéreuses, les vérifications d'entretien doivent être exécutées plus souvent.

## TABLEAU DES RESPONSABILITÉS DU CLIENT

TACHE D'ENTRETIEN	Avant chaque utilisation	Toutes les 25 heures ou annuellement	Toutes les 50 heures ou annuellement	Toutes les 100 heures ou annuellement
<b>MOTEUR</b>				
Vérification du niveau d'huile	X			
Changement de l'huile moteur			X	
Vérification du filtre à air		X		
Nettoyage/remplacement de la bougie d'allumage				X
<b>LAVEUSE À PRESSION</b>				
Vérification/nettoyage de l'écran filtrant de l'arrivée d'eau	X			
Vérification du boyau à haute pression	X			
Vérification du boyau de savon/produit chimique et du filtre	X			
Vérification du pistolet et de la lance pour déceler des fuites	X			
Préparation pour l'entreposage	Préparer l'appareil pour l'entreposage s'il ne sera pas utilisé pendant 30 jours ou plus.			

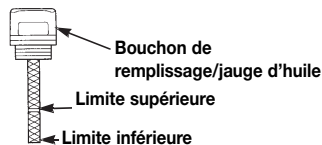
### MOTEUR

#### Vérification du niveau d'huile

1. Coupez le moteur et placez-le sur une surface de niveau.
2. Retirez le bouchon de remplissage/jauge d'huile et essuyez-le.



3. Insérez et retirez le bouchon de remplissage/jauge d'huile sans le visser sur le colut de remplissage. Vérifiez le niveau d'huile indiqué sur la jauge d'huile.



4. Si le niveau d'huile est bas, ajoutez de l'huile SAE 10W-30 jusqu'au rebord du trou de remplissage d'huile.

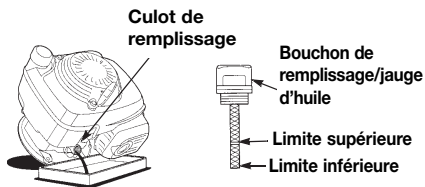
**REMARQUE :** Une huile d'une autre viscosité que celle indiquée dans le tableau peut être utilisée lorsque la température moyenne de votre région est dans les limites recommandées.

Degré de viscosité SAE									
				**	30				
		5W-30 10W-30		*					
5W-30, 10W-30 synthétique									
F -20	0	20	32	40	60	80	100		
C -30	-20	-10	0	10	20	30	40		
GAMME DE TEMPÉRATURES ANTICIPÉES LORS DES DÉMARRAGES AVANT LA PROCHAINE VIDANGE D'HUILE									

## Changement de l'huile

Vidangez l'huile à moteur lorsque le moteur est chaud. L'huile se vidange plus rapidement et complètement lorsqu'elle est chaude.

1. Placez la soupape de carburant à la position d'arrêt « OFF » en tournant un quart de tour dans le sens des aiguilles d'une montre.
2. Placez un récipient approprié à côté du moteur pour attraper l'huile usée.
3. Retirez le bouchon de remplissage/jauge d'huile et vidangez l'huile dans le récipient en inclinant le moteur vers le culot de remplissage d'huile.



**REMARQUE :** Veuillez disposer de l'huile usée d'une manière écologique. Nous vous recommandons de mettre l'huile usée dans un contenant scellé et de l'apporter à un centre de recyclage local ou à une station service pour la récupération. Ne jetez pas l'huile dans les déchets et ne la versez pas sur le sol ou dans un égout.

4. En maintenant le moteur de niveau, versez de l'huile SAE 10W-30 jusqu'à la marque de limite supérieure de la jauge d'huile. La capacité d'huile est de 0,58 pinte (0,55 litre). **REMARQUE :** On peut également utiliser une des autres viscosités d'huile figurant dans le tableau suivant le paragraphe intitulé « Vérification du niveau d'huile ».
5. Remettez en place le bouchon de remplissage/jauge d'huile et serrez-le fermement.

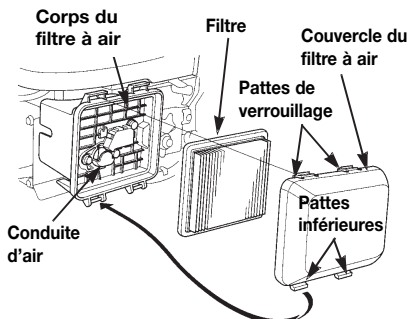
## Filtre à air

Un filtre à air sale réduira le débit d'air au carburateur et entraînera un rendement médiocre du moteur. Inspectez le filtre après chaque utilisation. Nettoyez le filtre plus souvent si le moteur est utilisé dans un lieu très poussiéreux.

**REMARQUE :** Si vous faites tourner le moteur sans le filtre, les saletés entreront dans le moteur et entraîneront une usure prématurée du moteur. Les dommages de ce genre ne sont pas couverts par la garantie.

## Inspection

1. Poussez sur les pattes de verrouillage sur le haut du couvercle du filtre à air et retirez le couvercle. Inspectez le filtre pour vous assurer qu'il est propre et en bon état.
2. Remettez en place le filtre et le couvercle du filtre à air.

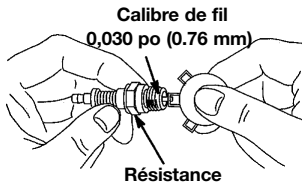


## Nettoyage

1. Tapez le filtre sur une surface dure à plusieurs reprises pour libérer la saleté ou soufflez de l'air comprimé [ne dépassant pas 30 lb/po<sup>2</sup> (207 kPa, 1,2 kg/cm<sup>2</sup>)] à travers le filtre, à partir de la surface propre qui fait face vers le moteur. N'essayez jamais de brosser la saleté puisque cela fait pénétrer la saleté dans les fibres.
2. Essuyez la saleté du corps du filtre à air et du couvercle à l'aide d'un chiffon humide. Faites attention afin d'empêcher la saleté d'entrer dans la conduite d'air menant au carburateur.

## Nettoyage et remplacement de la bougie d'allumage

Remplacez la bougie d'allumage à toutes les 100 heures de fonctionnement ou une fois par an, selon la première situation qui se présente. Cela facilite le démarrage et améliore le rendement du moteur.

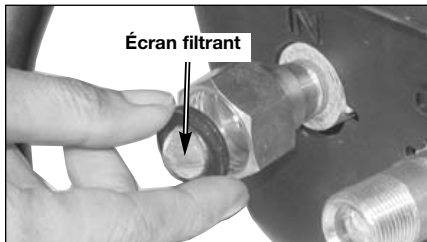


## POMPE

Cet écran filtrant devrait être vérifié périodiquement et nettoyé au besoin.

1. Saisissez l'extrémité du filtre et retirez-le de l'orifice d'entrée d'eau de la pompe, tel qu'illustré.
2. Nettoyez le filtre en le rinçant à l'eau sur les deux côtés.
3. Réinsérez le filtre dans l'orifice d'entrée d'eau de la pompe. **REMARQUE :** Le côté conique doit être dirigé vers l'extérieur.

**REMARQUE :** N'utilisez pas la laveuse à pression lorsque le filtre n'est pas posé de façon appropriée.



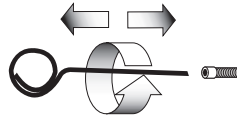
## LANCE DE VAPORISATION

Si la buse devient obstruée par des matériaux étrangers comme la poussière, une pression excessive peut se développer. Si la buse devient partiellement obstruée ou le débit est restreint, la pression de la pompe commencera à pulser. Nettoyez la buse immédiatement en vous servant de la trousse de nettoyage de buse fournie et en suivant les directives suivantes :

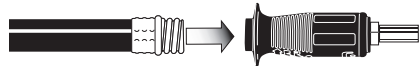
1. Arrêtez la laveuse à pression et fermez le robinet de la source d'eau.
2. Débranchez le fil de la bougie d'allumage.
3. Appuyez sur la détente du pistolet afin de dégager la pression d'eau.
4. Détachez la lance du pistolet.
5. Retirez la buse de l'extrémité de la lance en vous servant de la clé Allen de 2 mm fournie, tel qu'indiqué ci-dessous.



6. Nettoyez la buse en vous servant du dispositif de nettoyage fourni ou d'un trombone redressé en ligne droite. Insérez-le dans l'extrémité de la buse et déplacez-le dans un mouvement d'aller-retour pour libérer l'obstruction.



7. Dirigez la source d'eau dans la buse et rincez les particules libérées pendant 30 secondes.



8. Rebranchez le fil de la bougie d'allumage.
9. Réassemblez la buse sur la lance. Serrez fermement afin d'empêcher des fuites.
10. Attachez la lance au pistolet et ouvrez le robinet de la source d'eau.
11. Démarrez la laveuse à pression et réglez la lance à la position de haute pression pour l'essayer.



# ENTREPOSAGE

## MOTEUR

**IMPORTANT:** Il est important d'empêcher la formation de dépôts de gomme sur les parties essentielles du système d'injection, telles que le carburateur, le filtre à carburant, le boyau ou le réservoir durant l'entreposage. De plus, l'expérience indique que les essences mélangées avec des alcools (connues sous le nom d'essence-alcool ou essences utilisant de l'éthanol ou du méthanol) peuvent attirer l'humidité, ce qui entraîne la séparation du mélange et la formation d'acides durant l'entreposage. Les essences acides peuvent endommager le système d'injection d'un moteur lors de l'entreposage. Pour éviter des problèmes du moteur, le système d'injection doit être purgé avant un entreposage d'une durée de trente (30) jours ou plus. N'utilisez jamais de nettoyeurs pour moteurs ou carburateurs dans le réservoir à essence en raison d'un risque de dommages permanents.

### Préparation du moteur

1. Ajoutez un agent de stabilisation de carburant au réservoir.
2. Mettez la laveuse à pression en marche et faites-la fonctionner pendant un bon 5 minutes pour permettre à l'agent de stabilisation d'entrer dans le système d'injection.

### **▲ MISE EN GARDE**

**Lors de la préparation du moteur, assurez-vous que le robinet de la source d'eau est ouvert et que l'eau arrive à l'appareil. N'utilisez JAMAIS l'appareil lorsqu'il n'y a aucun débit d'eau à travers la pompe car cela endommagera la pompe.**

3. Coupez ensuite le moteur et déconnectez la source d'alimentation d'eau.
4. Débranchez le fil de la bougie d'allumage et retirez la bougie.
5. Ajoutez une cuillère à thé d'huile dans l'orifice pour bougie d'allumage.
6. Placez un chiffon sur l'orifice pour bougie d'allumage et tirez sur la corde à rappel à quelques reprises pour lubrifier la chambre de combustion.
7. Remettez la bougie d'allumage mais sans brancher le fil de la bougie.

## POMPE

1. Vidangez toute l'eau du boyau à haute pression, enrroulez-le et rangez-le dans le berceau de la poignée de la laveuse à pression.
2. Vidangez toute l'eau du pistolet et de la lance. Pour ce faire, maintenez le pistolet en position verticale, en dirigeant la buse vers le bas, et appuyez sur la détente du pistolet. Rangez ces pièces dans le porte-pistolet/boyau.
3. Entrepozez le boyau de rinçage d'injecteur de produit chimique, le boyau à haute pression, le pistolet de vaporisation et la lance en les protégeant contre les dommages, surtout les dommages causés en roulant sur ces pièces.

Nous vous recommandons de suivre les étapes ci-dessous pour protéger les joints d'étanchéité internes de la laveuse à pression **LORSQUE VOUS DEVEZ ENTREPOSER L'APPAREIL PENDANT PLUS DE 30 JOURS ET(OU) LORSQUE DES TEMPÉRATURES DE GEL SONT PRÉVUES.**

\* Vous devez également passer de l'antigel pour véhicules récréatifs à travers la pompe, tel que stipulé dans les étapes ci-dessous.

4. Obtenez un entonnoir, 6 oz (177 ml) d'antigel pour véhicules récréatifs ou de liquide de lave-glace, un boyau d'arrosage d'une longueur d'environ 12 po (30 cm) doté d'un raccord mâle à une extrémité.

### **▲ MISE EN GARDE**

**N'utilisez que de l'antigel pour véhicules récréatifs. Tout autre antigel est corrosif et risque d'endommager la pompe.**

5. Débranchez le fil de la bougie d'allumage.
6. Connectez le boyau d'arrosage de 12 po (30 cm) à l'orifice d'entrée de la pompe.

7. Ajoutez l'antigel pour véhicules récréatifs ou le liquide de lave-glace, tel qu'illustré.

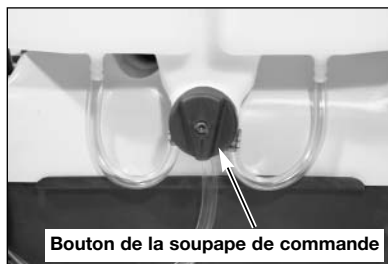


8. Tirez à plusieurs reprises sur le cordon de démarrage du moteur, jusqu'à ce que l'antigel ou le liquide de lave-glace déborde du raccord du boyau à haute pression de la pompe.
9. Retirez le boyau court de l'orifice d'entrée de la pompe.
10. Rebranchez le fil de la bougie d'allumage.

\* Vous pouvez également utiliser du liquide de lave-glace.

## SYSTÈME DE NETTOYAGE À DEUX RÉSERVOIRS

1. Tournez le bouton de la soupape de commande à la position basse (off).



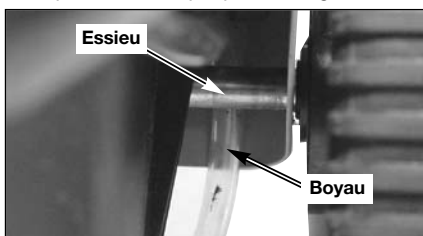
2. Retirez le boyau de solution de nettoyage de l'injecteur de produit chimique et tirez-le au-dessus de l'essieu, vers la partie arrière de l'appareil.



3. Placez l'extrémité du boyau de solution de nettoyage dans un récipient convenable et vidangez la solution de nettoyage.



4. Tournez la soupape de commande vers le réservoir à vidanger.
5. Répétez les étapes 3 et 4 pour vidanger le deuxième réservoir.
6. Tournez le bouton de la soupape de commande à la position basse (off).
7. Remplissez les réservoirs avec de l'eau propre.
8. Tournez la soupape vers le réservoir et vidangez l'eau du réservoir. Répétez cette étape pour le deuxième réservoir.  
**REMARQUE** : Ceci rince les réservoirs de solution de nettoyage.
9. Acheminez le boyau de solution de nettoyage au-dessus de l'essieu et reconnectez ce boyau à l'injecteur de produit chimique pour l'usage futur.



# GUIDE DE DÉPANNAGE

PROBLÈME	CAUSE	CORRECTION
Le moteur ne démarre pas	<ol style="list-style-type: none"> <li>1. Aucun carburant.</li> <li>2. Accumulation de pression après avoir tiré deux fois sur le cordon de démarrage.</li> <li>3. Le levier d'étrangleur est en position sans étranglement " No Choke ".</li> <li>4. Le fil de la bougie d'allumage n'est pas branché.</li> <li>5. Le levier d'étranglement est en position « Choke » lorsque le moteur est chaud ou lorsque le moteur a été exposé à une source de chaleur pour une période prolongée.</li> <li>6. Soupape de carburant fermée</li> </ol>	<ol style="list-style-type: none"> <li>1. Ajoutez du carburant.</li> <li>2. Appuyez sur la détente du pistolet pour dégager la pression.</li> <li>3. Le levier d'étrangleur est en position sans étranglement " No Choke ".</li> <li>4. Branchez le fil de la bougie d'allumage.</li> <li>5. Déplacez le levier d'étranglement à la position sans étranglement.</li> <li>6. Réglez la soupape de carburant à la position ouverte.</li> </ol>
Aucune pression ou basse pression (à l'utilisation initiale)	<ol style="list-style-type: none"> <li>1. La lance n'est pas en position de haute pression.</li> <li>2. Alimentation en eau insuffisante.</li> <li>3. Fuite au raccord de boyau à haute pression.</li> <li>4. La buse est obstruée.</li> <li>5. Écran de filtrage d'eau obstrué.</li> </ol>	<ol style="list-style-type: none"> <li>1. Consultez le paragraphe " Utilisation de la lance " de la section " Utilisation ".</li> <li>2. La source d'eau doit acheminer au moins 5 gal./min à 20 lb/po<sup>2</sup>.</li> <li>3. Serrez le raccord. Appliquez du ruban d'étanchéité au besoin.</li> <li>4. Consultez le paragraphe " LANCE DE VAPORISATION " dans la section " Entretien " pour connaître la procédure correcte.</li> <li>5. Retirez le filtre et nettoyez-le.</li> </ol>

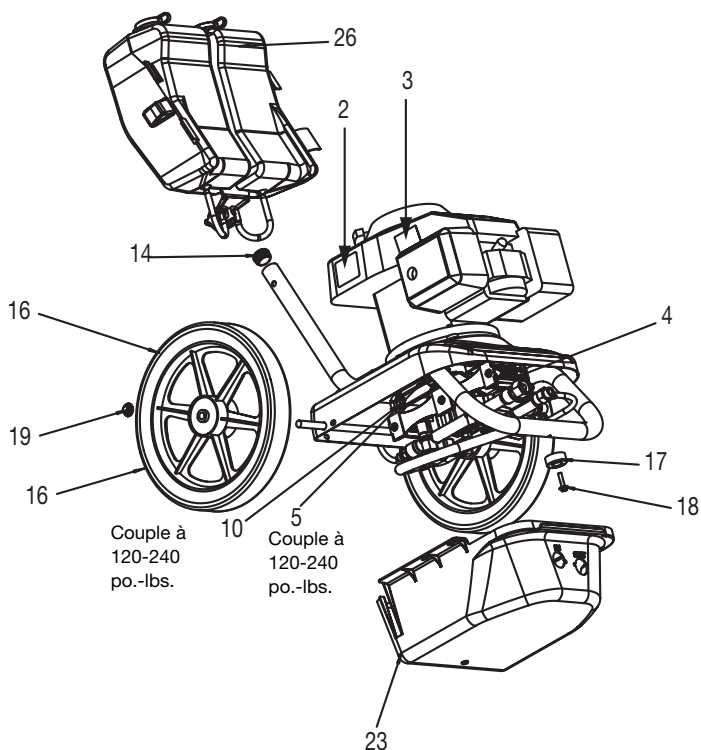
PROBLÈME	CAUSE	CORRECTION
<p>Aucune pression ou basse pression (à l'utilisation initiale) (suite)</p>	<p>6. De l'air se trouve dans le boyau.</p> <p>7. Le levier d'étrangleur est en position « Choke ».</p> <p>8. Le levier de commande des gaz n'est pas à la position rapide « Fast ».</p> <p>9. Le boyau à haute pression est trop long.</p>	<p>6. Arrêtez le moteur et fermez ensuite le robinet de la source d'eau. Débranchez la source d'eau de l'orifice d'entrée de la pompe et ouvrez le robinet de la source d'eau pour purger l'air du boyau. Lorsqu'un jet continu d'eau paraît, fermez le robinet de la source d'eau. Rebranchez la source d'eau à l'orifice d'entrée de la pompe et ouvrez la source d'eau. Appuyez sur la détente pour purger l'air qui reste.</p> <p>7. Réglez le levier d'étrangleur à la position « No Choke ».</p> <p>8. Réglez le levier de commande des gaz à la position rapide « Fast ».</p> <p>9. Utilisez un boyau à haute pression d'une longueur inférieure à 100 pieds.</p>
<p>Aucune aspiration de solution de nettoyage</p>	<p>La lance n'est pas en position de basse pression.</p> <p>2. Le filtre du boyau de rinçage d'injecteur de produit chimique est obstrué.</p> <p>3. L'écran filtrant à l'extrémité du boyau de rinçage d'injecteur de produit chimique n'est pas dans l'eau.</p> <p>4. Le produit chimique est trop épais.</p> <p>5. Le boyau à haute pression est trop long.</p> <p>6. Une accumulation de produit chimique dans l'injecteur de produit chimique.</p> <p>7. Les boyaux ne sont pas connectés.</p> <p>8. La soupape de commande en réglé à la position basse (off) ou vers le réservoir non utilisé.</p>	<p>1. Consultez le paragraphe « Utilisation de la lance » de la section « Utilisation ».</p> <p>2. Nettoyez le filtre.</p> <p>3. Assurez-vous que l'extrémité du boyau de rinçage d'injecteur de produit chimique est complètement submergée dans l'eau propre.</p> <p>4. Diluez le produit chimique. Le produit chimique devrait avoir la consistance d'eau.</p> <p>5. Utilisez un boyau d'eau plus long au lieu d'un boyau à haute pression plus long.</p> <p>6. Apportez les pièces à un CSGA pour le nettoyage ou le remplacement.</p> <p>7. Assurez-vous que tous les boyaux sont connectés au niveau de la soupape.</p> <p>8. Tournez la soupape de commande vers le réservoir à utiliser.</p>

<b>PROBLÈME</b>	<b>CAUSE</b>	<b>CORRECTION</b>
Aucune pression ou basse pression (après un certain temps d'utilisation normale)	<ol style="list-style-type: none"> <li>1. Joint d'étanchéité ou garniture usés.</li> <li>2. Soupapes usées ou obstruées.</li> <li>3. Piston de déchargeur usé.</li> </ol>	<ol style="list-style-type: none"> <li>1. Faire remplacer par un CSGA.</li> <li>2. Faire remplacer par un CSGA.</li> <li>3. Faire remplacer par un CSGA.</li> </ol>
Fuite d'eau au niveau de la connexion du pistolet/lance	<ol style="list-style-type: none"> <li>1. Joint torique usé ou brisé.</li> <li>2. Connexion de boyau desserrée.</li> </ol>	<ol style="list-style-type: none"> <li>1. Vérifiez et remplacez.</li> <li>2. Serrez.</li> </ol>
Fuite d'eau au niveau de la pompe	<ol style="list-style-type: none"> <li>1. Connexions desserrées.</li> <li>2. Garnitures de piston usées.</li> <li>3. Joints toriques usés.</li> <li>4. La tête de la pompe ou les tubes sont endommagés à cause du gel.</li> </ol>	<ol style="list-style-type: none"> <li>1. Serrez.</li> <li>2. Faire remplacer par un CSGA.</li> <li>3. Faire remplacer par un CSGA.</li> <li>4. Faire remplacer par un CSGA.</li> </ol>
La pompe fonctionne de façon pulsée	<ol style="list-style-type: none"> <li>1. Buse obstruée.</li> </ol>	<ol style="list-style-type: none"> <li>1. Consultez le paragraphe " LANCE DE VAPORISATION " dans la section " Entretien " pour connaître la procédure correcte.</li> </ol>

CSGA = Centre de service sous garantie autorisé

# PIÈCES DE RECHANGE

N° de modèle de la laveuse à pression 919.672190

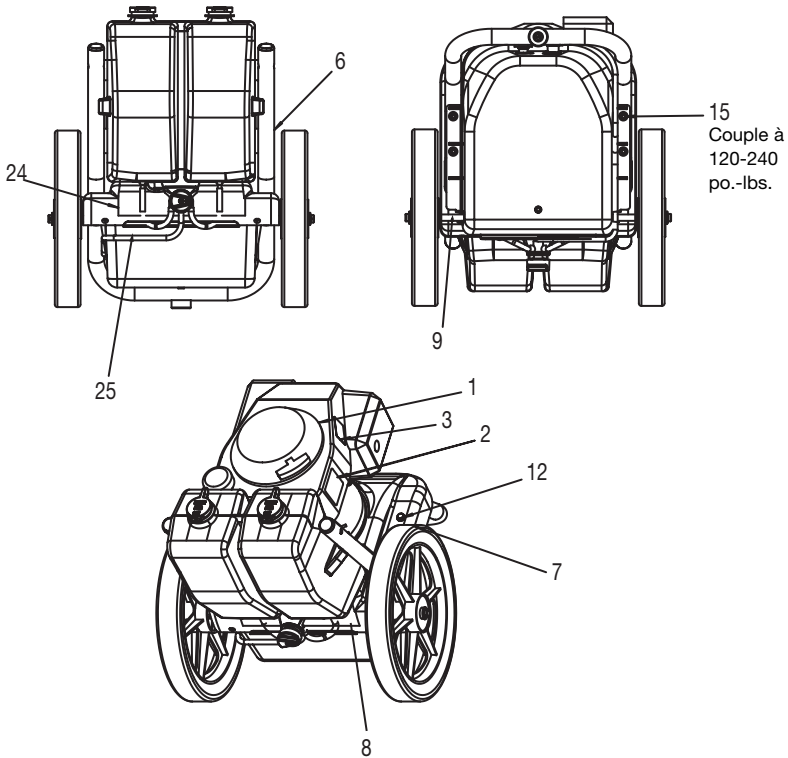


<b>N° d'article</b>	<b>N° de pièce</b>	<b>Description</b>
2	D23124	Étiquette de danger
3	D23125	Étiquette de surface chaude
4	*	Trousse de pompe
5	D27152	Vis, 5/16-24 x .75
10	D27956	Vis, 3/8-1116 x 1,25
14	D22267	Bouchon
16	D21963	Roue
17	D22268	Isolateur
18	D23208	Vis, 1/4-20
19	W137	Écrou Pal
23	D21630	Flasque de pompe
26	D27959	Système de nettoyage à deux réservoirs

\* Voir la vue éclatée pour identifier les pièces particulières

# PIÈCES DE RECHANGE

N° de modèle de la laveuse à pression 919.672190



N° d'article	N° de pièce	Description
1	*	Moteur Honda GCV160A
2	17050	Étiquette de danger
3	D23125	Étiquette de surface chaude
6	D22908	Châssis
7	D25074	Base
8	D22904	Étiquette de pièces mobiles
9	D23099	Essieu
12	D22308	Vis, 5/16-18
15	D22692	Écrou, 5/16-18
24	D25087	Étiquette d'avertissement
25	D27926	Boyaux de solution de nettoyage

## Non illustré

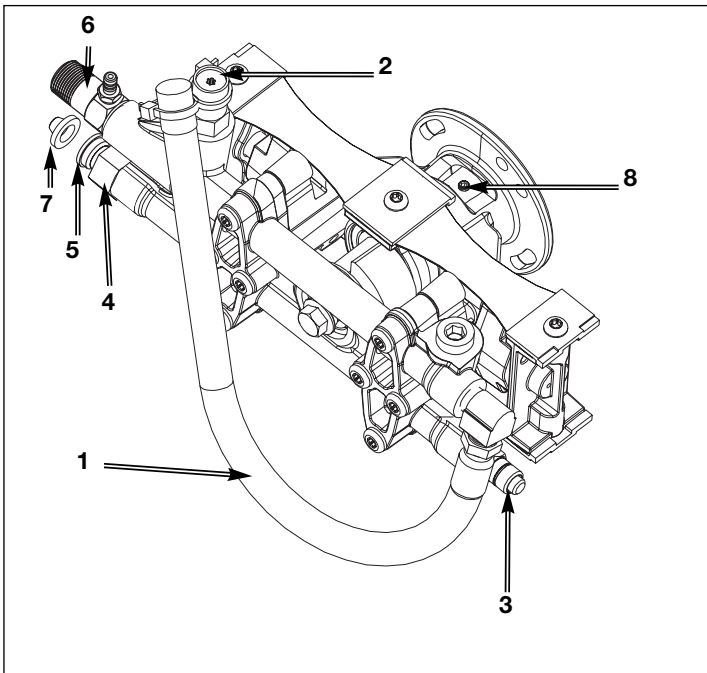
D30333

Guide de l'utilisateur

\* Voir la vue éclatée pour identifier les pièces particulières

# PIÈCES DE RECHANGE

N° de modèle de la pompe refoulante D28703



<b>N° d'article</b>	<b>N° de pièce</b>	<b>Description</b>
1	D20998	Boyau, 3/8 x 18 po
2	18139	Ensemble de dispositif de marche à vide, 2 200 lb/po <sup>2</sup>
3	16848	Soupape de décharge thermique
4	H061	Écrou tournant de tuyau d'arrosage
5	H068	Joint articulé, 3/8 po
6	D29372	Injecteur de produit chimique
7	F187	Écran pour tuyau d'arrosage
8	D25006	Vis de fixation

**Non illustré :**

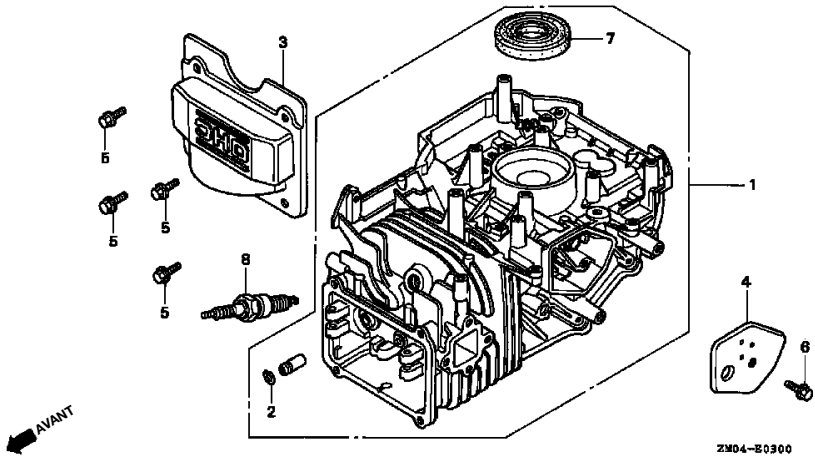
H140 Boyau de produit chimique



# PIÈCES DE RECHANGE

N° de modèle du moteur HONDA GCV160A

## CORPS DE CYLINDRE

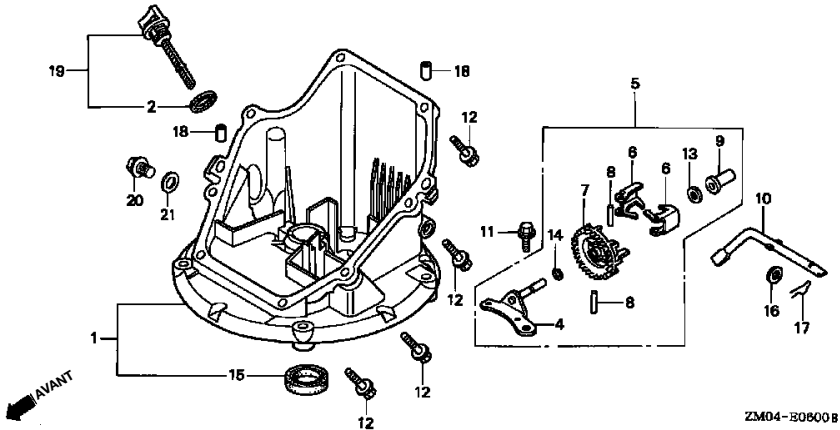


Réf	Description	N° de pièce	H/C	Qté
1	Ensemble de cylindre	12000-ZL8-405	6315691	1
2	Attache de guide de soupape	12216-ZE5-300	2399780	1
3	Couvercle de culasse	12311-ZL8-000	5579990	1
4	Couvercle de reniflard (ens. de soupape de reniflard)	12355-ZL8-000	5580006	1
5	Écrou à embase (6x12) (CT200)	90013-883-000	0636845	4
6	Écrou à embase (6x14)	90014-952-000	0803619	1
7	Joint d'huile (25,4x62x6)	91201-ZL8-003	5581038	1
8	Bougie d'allumage (BPR6ES) (NGK)	98079-56846	1441112	1

# PIÈCES DE RECHANGE

N° de modèle du moteur HONDA GCV160A

## CARTER D'HUILE

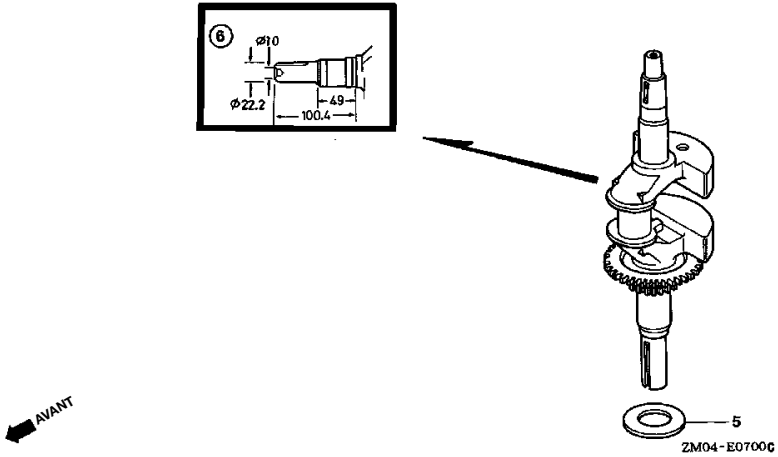


Réf	Description	N° de pièce	H/C	Qté
1	Ens. de carter d'huile (SAE)	11300-ZOL-820	6696686	1
2	Joint d'étanchéité de bouchon de remplissage d'huile	15625-ZE1-003	4497947	1
4	Arbre de support de régulateur	16508-ZM0-010	6384341	1
5	Ens. de régulateur	16510-ZM0-010	6384333	1
6	Poids de régulateur	16511-ZL8-000	5580287	2
7	Support de poids de régulateur	16512-ZM0-000	5580295	1
8	Goupille de poids de régulateur	16513-ZE1-000	1427244	2
9	Tiroir de régulateur	16531ZE1-000	1427251	1
10	Arbre de bras de régulateur	16541-ZM0-000	5580303	1
11	Écrou à embase (6x14)	90014-952-000	0803619	1
12	Écrou à embase (6x25)	90121-952-000	0748111	8
13	Rondelle de butée (6 mm)	90451-ZE1-000	2413862	1
14	Attache de support de régulateur	90602-ze1-000	2456697	1
15	Joint d'huile (28x41,25x6)	91202-ZM0-V31	6315865	1
16	Rondelle ordinaire (6 mm)	94101-06800	0345900	1
17	Goupille d'arrêt (8 mm)	94251-08000	0115527	1
18	Goupille cylindrique (8x20)	94301-08200	1417369	2
19	Ens. de jauge d'huile	15650-ZM0-003	5722996	1
20	Boulon de bouchon de vidange	90131-896-650	1986231	1
21	Rondelle de bouchon de vidange (12 mm)	94109-12000	0171868	1

# PIÈCES DE RECHANGE

N° de modèle du moteur HONDA GCV160A

## VILEBREQUIN



Réf	Description
5	Rondelle de butée
6	Vilebrequin

N° de pièce
90402-ZL8-000
13310-Z0L-650

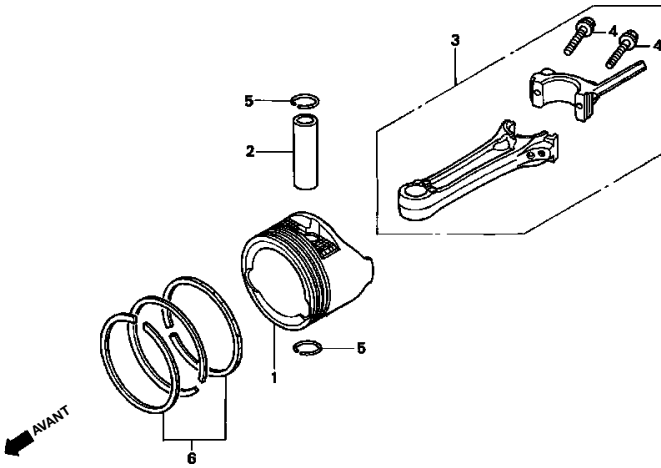
H/C
5581012
6696702

Qté
1
1

# PIÈCES DE RECHANGE

N° de modèle du moteur HONDA GCV160A

## VILEBREQUIN



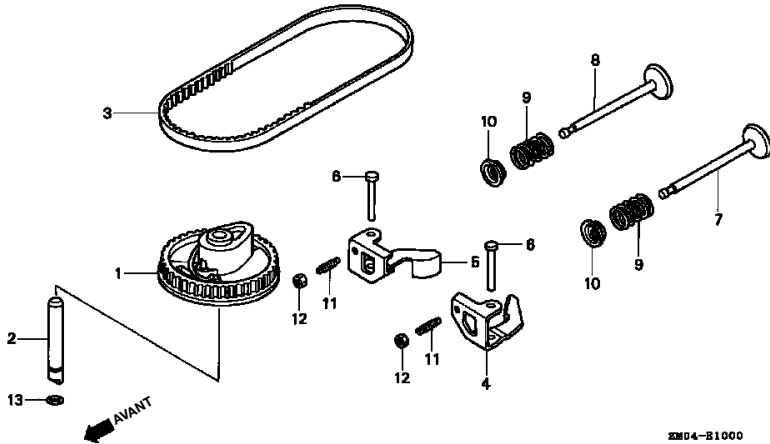
ZM04-H0800A

Réf	Description	N° de pièce	H/C	Qté
1	Piston	13101-ZL8-000	5580014	1
2	Axe de piston	13111-ZE0-000	1426576	1
3	Ensemble de bielle	13200-ZL8-000	5580022	1
4	Boulon de bielle	90001-ZE1-000	1431055	2
5	Attache d'axe de piston (13 mm)	90551-ZE0-000	2605517	2
6	Jeu de segments de piston (TEIKOKU)	13010-ZL8-014	6315717	1

# PIÈCES DE RECHANGE

N° de modèle du moteur HONDA GCV160A

## POULIE D'ARBRE À CAMES

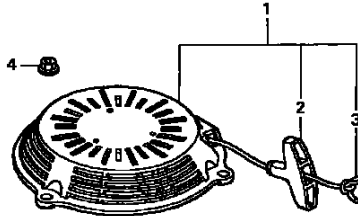


Réf	Description	N° de pièce	H/C	Qté
1	Poulie d'arbre à cames	14320-ZL8-000	5580055	1
2	Arbre de poulie d'arbre à cames	14324-ZL8-000	5580063	1
3	Courroie de distribution (84HU7 G-200)	14400-Z0J-004	6637417	1
4	Bras de culbuteur int.	14431-ZL8-000	5580089	1
5	Bras de culbuteur ext.	14441-ZL8-000	5580097	1
6	Arbre de culbuteur	14461-ZL8-000	5580105	2
7	Soupape int.	14711-ZL8-000	5580113	1
8	Soupape ext.	14721-ZL8-000	5580121	1
9	Ressort de soupape	14751-ZL8-000	5580139	2
10	Pièce de retenue de ressort de soupape	14771-ZE1-000	1426980	2
11	Vis de réglage de poussoir	90012-333-000	0294819	2
12	Écrou de réglage de poussoir	90206-001-000	0004598	2
13	Joint torique (6,8x1,9)	91301-ZM0-V31	6315873	1

# PIÈCES DE RECHANGE

N° de modèle du moteur HONDA GCV160A

## DÉMARREUR À RAPPEL



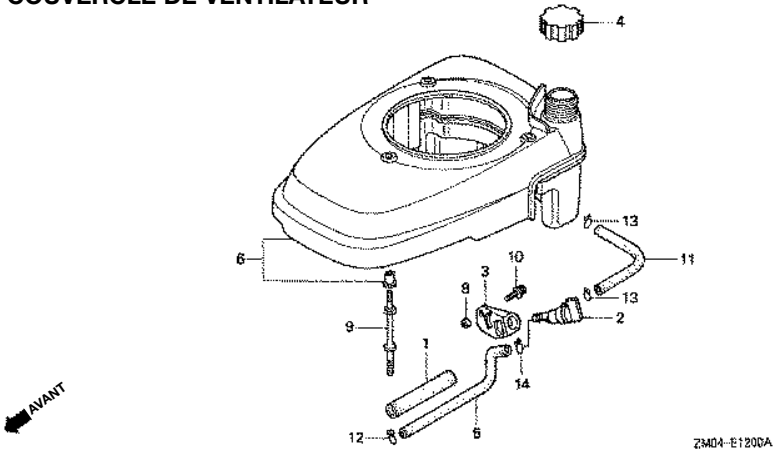
ZM04-E1100 A

<u>Réf</u>	<u>Description</u>	<u>N° de pièce</u>	<u>H/C</u>	<u>Qté</u>
1	Ens. de démarreur à rappel *NH1* (noir)	28400-ZL8-013ZA	6061204	1
2	Poignée de démarreur à rappel	28461-ZL8-003	5580634	1
3	Cordon de démarreur à rappel	28462-ZL8-003	5611454	1
4	Écrou à embase (6 mm)	90201-ZM0-000	6478812	3

# PIÈCES DE RECHANGE

N° de modèle du moteur HONDA GCV160A

## COUVERCLE DE VENTILATEUR

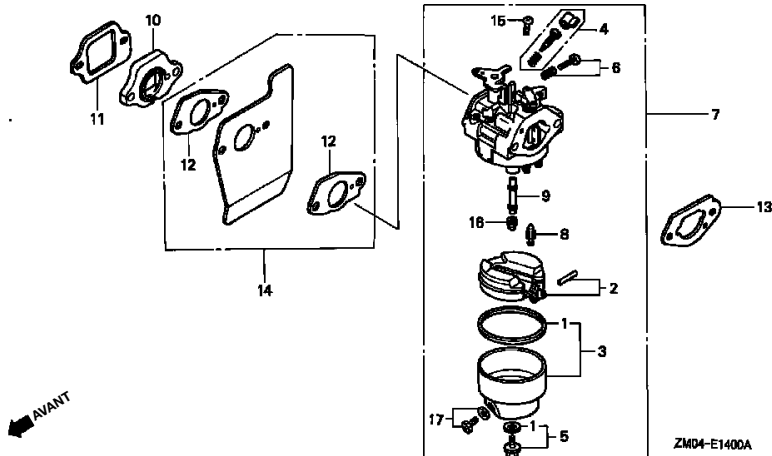


Réf	Description	N° de pièce	H/C	Qté
1	Support en caoutchouc (107 mm)	16854-ZH8-000	3683646	1
2	Ens. de robinet de petit diam. (MAN)	16950-ZG9-M02	5028923	1
3	Support de robinet	16956-ZM0-000	5580394	1
4	Ens. de bouchon du réservoir	17620-ZL8-013	6673289	1
5	Tube à carburant	17702-ZM0-000	5580469	1
6	Couvercle de ventilateur *NH1* (noir)	19610-ZM0-010ZA	6132989	1
8	Collet de clignotant avant	33600-GK4-620	2499440	1
9	Goujon	90043-ZL8-000	5581004	3
10	Vis à rondelle (5x10)	93891-05010-08	0671636	1
11	Boyau à carburant (5,5x8000) (5,5x150)	95001-55008-40M	2449593	1
12	Collier de boyau (B8)	95002-02080	0250647	1
13	Collier de boyau (B10)	95002-02100	0250985	2
14	Collier de boyau (C9)	95002-50000	0053447	1

# PIÈCES DE RECHANGE

N° de modèle du moteur HONDA GCV160A

## CARBURATEUR



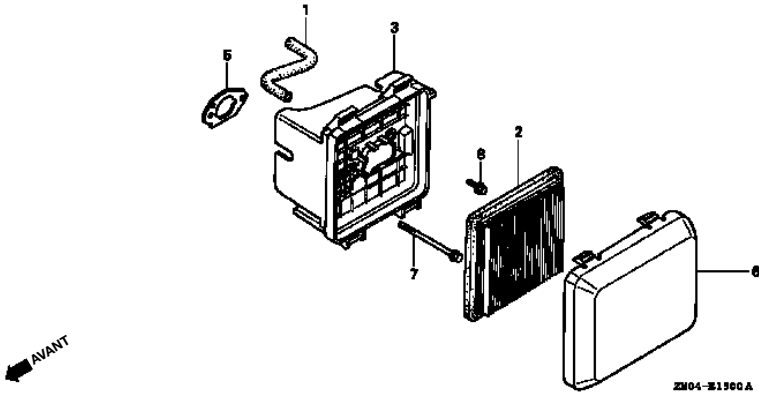
Réf	Description	N° de pièce	H/C	Qté
1	Jeu de joints d'étanchéité	16010-883-015	3088416	1
2	Ensemble de flotteur	16013-ZL1-003	5580162	1
3	Ensemble de cuve à niveau	16015-887-782	3465879	1
4	Jeu de vis	16016-ZG0-W00	4481818	1
5	Jeu de vis B	16028-ZE0-005	1441518	1
6	Jeu de vis	16029-ZG0-901	5580170	1
7	Ens. de carburateur (BB62B D)	16100-ZM0-803	6212849	1
8	Soupape à flotteur	16155-ZM0-003	5580212	1
9	Gicleur principal	16166-ZM0-003	5580220	1
10	Isolateur de carburateur	16211-ZL8-000	5580238	1
11	Joint d'étanchéité d'isolateur	16212-ZL8-000	5580246	1
12	Joint d'étanchéité de carburateur	16221-883-800	4581120	2
13	Joint d'étanchéité de carburateur (côté de l'étrangleur)	16228-ZL8-000	5580253	1
14	Dispositif de guidage d'air	19650-ZM0-000	5580535	1
15	Vis de carter (5x6)	93500-05006-0H	0639419	1
16	Jet principal (#60)	99101-124-0600	0635474	1
	Jet principal (#62)	99101-124-0620	0635482	1
	Jet principal (#65)	99101-124-0650	0636126	1
17	Jeu de vis de vidange	16024-ZE1-811	1672187	1



# PIÈCES DE RECHANGE

N° de modèle du moteur HONDA GCV160A

## FILTRE À AIR

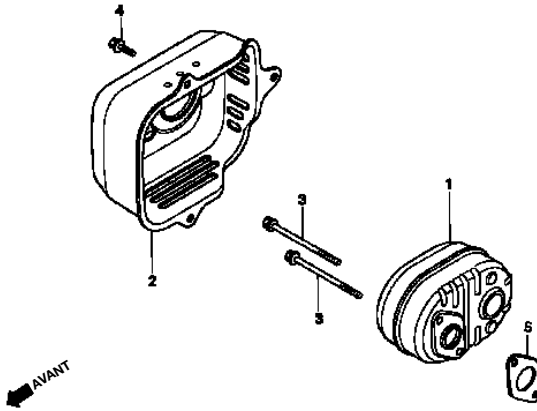


<b>Réf</b>	<b>Description</b>	<b>N° de pièce</b>	<b>H/C</b>	<b>Qté</b>
1	Tube de reniflard	15721-ZM0-000	5580154	1
2	Élément de filtre à air	17211-ZL8-000	5580402	1
3	Ens. de boîtier de filtre à air	17220-ZM0-000	5580410	1
5	Joint d'étanchéité de filtre à air	17228-ZM0-000	5664560	1
6	Couvercle de filtre à air	17231-X0L-000	6673255	1
7	Boulon à embase (6x86) (CT200)	90003-Z0L-000	5580964	2
8	Boulon à embase (6x14)	95701-06014-08	2374742	1

# PIÈCES DE RECHANGE

N° de modèle du moteur HONDA GCV160A

## SILENCIEUX



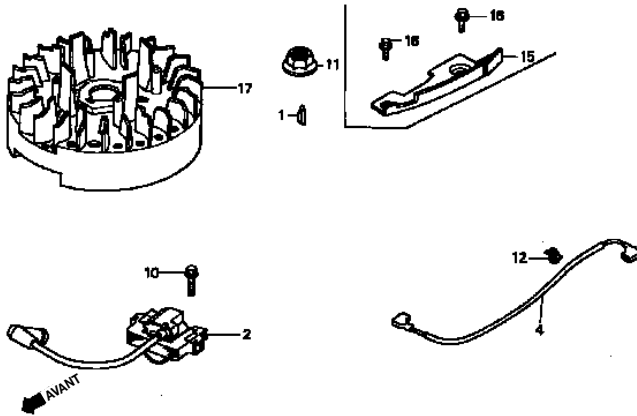
ZM04-E1800A

<u>Réf</u>	<u>Description</u>	<u>N° de pièce</u>	<u>H/C</u>	<u>Qté</u>
1	Silencieux	18310-ZM0-000	5580485	1
2	Protecteur de silencieux	18321-ZL8-000	5580501	1
3	Boulon à embase (6x79) (CT200)	90004-ZL8-000	5580972	2
4	Boulon à embase (6x12) (CT200)	90013-883-000	0636845	3
5	Joint d'étanchéité de silencieux	18381-ZL8-305	5737457	1

# PIÈCES DE RECHANGE

N° de modèle du moteur HONDA GCV160A

## VOLANT MOTEUR



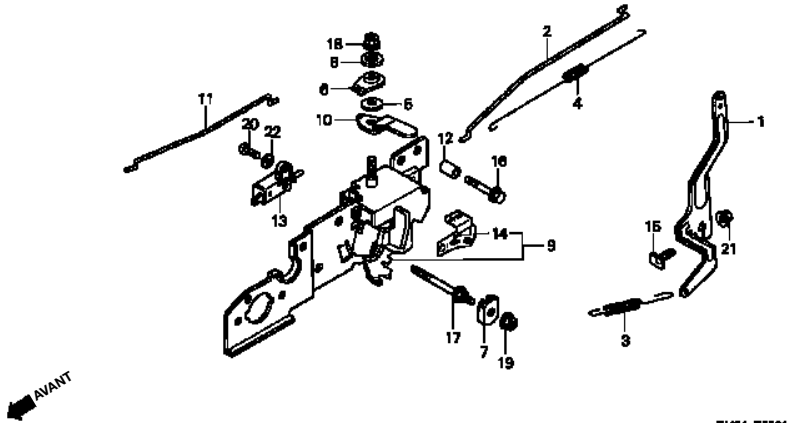
ZM04-E19008

Réf	Description	N° de pièce	H/C	Qté
1	Clavette woodruff spéciale (25x18)	13331-357-000	0348433	1
2	Ens. de bobine d'allumage	30500-ZL8-004	5580659	1
4	Fil d'interrupteur d'arrêt	32195-ZM0-800	6315816	1
10	Boulon à embase (6x20) (CT200)	90022-888-010	0671552	1
11	Écrou spécial (14 mm)	90201-878-003	0442038	1
12	Collier de câble (A)	90681-959-003	1824630	1
15	Plaque latérale	19612-ZM0-000	6315782	1
16	Boulon à embase (6x12) (CT200)	90013-883-000	0636845	2
17	Volant moteur	31110-ZL8-004	5656053	1

# PIÈCES DE RECHANGE

N° de modèle du moteur HONDA GCV160A

## COMMANDE (2)

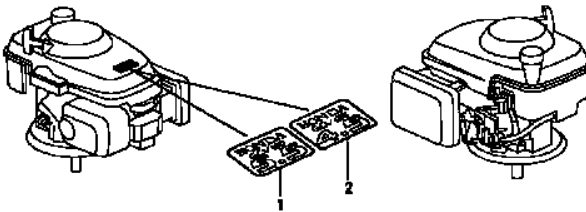


Réf	Description	N° de pièce	H/C	Qté
1	Bras de régulateur	16551-ZM0-000	5580311	1
2	Tige de régulateur	16555-ZM0-000	5580329	1
3	Ressort de régulateur	16561-ZM0-V30	6315725	1
4	Ressort de rappel du papillon	16562-ZM0-000	5580352	1
5	Ressort de levier	16574-ZE1-000	1427384	1
6	Rondelle de levier de commande	16575-ZE2-W00	3678679	1
7	Plaque centrale de levier	16577-ZM0-V30	6315741	1
8	Entretoise de levier de commande	16578-ZE1-000	1427400	1
9	Base de commande	16580-ZM0-V30	6315758	1
10	Levier d'étrangleur	16612-ZM0-V30	6315766	1
11	Tige d'étrangleur	16674-ZM0-V30	6315774	1
12	Collet (9,2x15x20,5)	91501-ZM0-V30	6363733	1
13	Ens. d'interrupteur de moteur (N.O)	35120-ZL8-003	5611520	1
14	Marque indicatrice du papillon	87532-ZM0-V30	6315832	1
15	Boulon de bras de régulateur	90015-ZE5-010	2418671	1
16	Boulon à embase (6x32)	90017-883-000	0636076	1
17	Boulon spécial (6x45)	90016-ZM0-V30	6315840	1
18	Écrou autobloquant (6 mm)	90114-SA0-000	1410182	1
19	Écrou autobloquant (5 mm)	90136-SM4-901	3596095	1
20	Vis à rondelle (4x12)	93892-04012-00	0485946	1
21	Écrou à embase (6 mm)	94050-06000	0471623	1
22	Rondelle ordinaire (4 mm)	94103-04000	1510361	1

# PIÈCES DE RECHANGE

N° de modèle du moteur HONDA GCV160A

## ÉTIQUETTES



ZM04-E28008

<u>Réf</u>	<u>Description</u>	<u>N° de pièce</u>	<u>H/C</u>	<u>Qté</u>
1	Étiquette d'emblème (5,5)	87101-ZM0-000	5580865	1

# NOTES

# NOTES

# Get it fixed, at your home or ours!

## Your Home

For repair – **in your home** – of **all** major brand appliances, lawn and garden equipment, or heating and cooling systems, **no matter who made it, no matter who sold it!**

For the replacement parts, accessories and owner's manuals that you need to do-it-yourself.

For Sears professional installation of home appliances and items like garage door openers and water heaters.

**1-800-4-MY-HOME<sup>®</sup>** Anytime, day or night  
(1-800-469-4663) (U.S.A. and Canada)  
[www.sears.com](http://www.sears.com) [www.sears.ca](http://www.sears.ca)

---

## Our Home

For repair of carry-in products like vacuums, lawn equipment, and electronics, call or go on-line for the nearest **Sears Parts and Repair Center.**

**1-800-488-1222** Anytime, day or night (U.S.A. only)  
[www.sears.com](http://www.sears.com)

---

To purchase a protection agreement (U.S.A.) or maintenance agreement (Canada) on a product serviced by Sears:

**1-800-827-6655** (U.S.A.) **1-800-361-6665** (Canada)

---

Para pedir servicio de reparación a domicilio, y para ordenar piezas:

**1-888-SU-HOGAR<sup>SM</sup>**  
(1-888-784-6427)

Au Canada pour service en français:

**1-800-LE-FOYER<sup>MC</sup>**  
(1-800-533-6937)  
[www.sears.ca](http://www.sears.ca)

# SEARS

© Sears, Roebuck and Co.

© Registered Trademark / <sup>TM</sup> Trademark / <sup>SM</sup> Service Mark of Sears, Roebuck and Co.

© Marca Registrada / <sup>TM</sup> Marca de Fábrica / <sup>SM</sup> Marca de Servicio de Sears, Roebuck and Co.

<sup>MC</sup> Marque de commerce / <sup>MD</sup> Marque déposée de Sears, Roebuck and Co.



## Free Manuals Download Website

<http://myh66.com>

<http://usermanuals.us>

<http://www.somanuals.com>

<http://www.4manuals.cc>

<http://www.manual-lib.com>

<http://www.404manual.com>

<http://www.luxmanual.com>

<http://aubethermostatmanual.com>

Golf course search by state

<http://golfingnear.com>

Email search by domain

<http://emailbydomain.com>

Auto manuals search

<http://auto.somanuals.com>

TV manuals search

<http://tv.somanuals.com>