

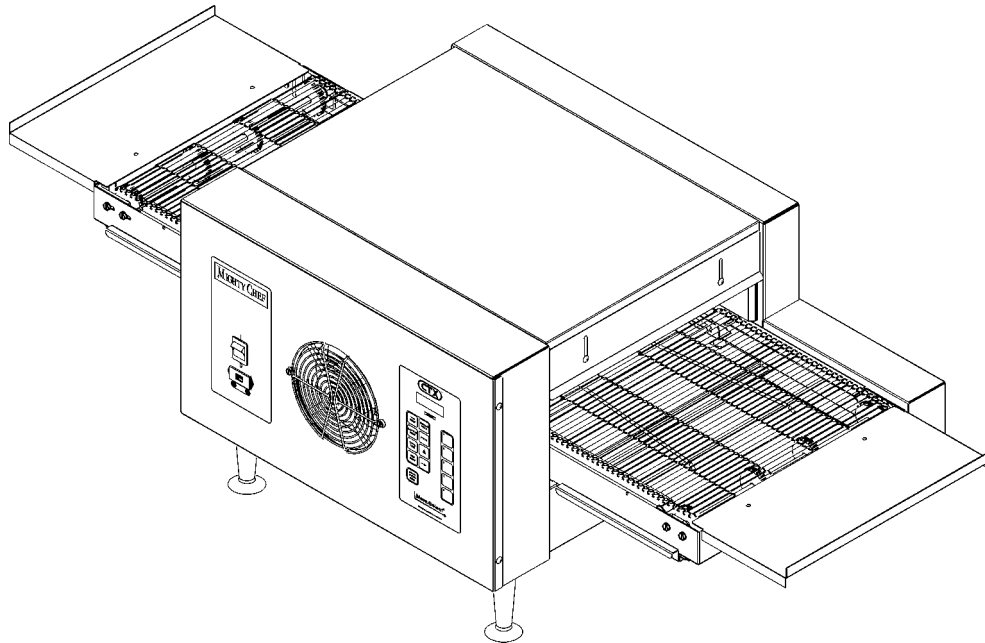
TCO2114

Domestic, Std. Export
& European Export

ENGLISH/German
French/Spanish



P/N 43336
Rev. B • V1 • 5/00



ENGLISH
page 1

DEUTSCH
seite 13

FRANÇAIS
page 25

ESPAÑOL
página 37

MIGHTY CHEF™ Conveyor Oven

Models:


- TCO21140063 (USA & std. export, 208V)
- TCO21140066 (USA & std. export, 240V)
- TCO21140035 (European export, 230V)
- TCO21140077 (European export, 380-400V)

Combinations:

- Single Oven
- Double Oven (Two-Stack)
- Triple Oven (Three-Stack)

OWNER'S OPERATING & INSTALLATION MANUAL

© 2000 CTX, A Middleby Company

 is a registered trademark of Middleby Marshall, Inc. All rights reserved.
Middleby Cooking Systems Group • 1400 Toastmaster Drive • Elgin, IL 60120 • (847)741-3300 • FAX (847)741-4406



WARNING: IN CASE OF FIRE
 Disconnect the oven from its power source IMMEDIATELY. Shutting down the electrical heating elements allows the unit to cool, making it easier to put out the fire.

WARNING: FOR YOUR SAFETY
 DO NOT STORE OR USE GASOLINE OR OTHER FLAMMABLE VAPORS OR LIQUIDS IN THE VICINITY OF THIS OR ANY OTHER APPLIANCE

WARNING
IMPROPER INSTALLATION, ADJUSTMENT, ALTERATION, SERVICE OR MAINTENANCE CAN CAUSE PROPERTY DAMAGE, INJURY OR DEATH. READ THE INSTALLATION AND OPERATING INSTRUCTIONS THOROUGHLY BEFORE INSTALLING OR SERVICING THIS EQUIPMENT.

WARNING
 DISCONNECT THE OVEN FROM ITS ELECTRICAL POWER SUPPLY BEFORE CLEANING OR SERVICING.

CAUTION
 Using any parts other than genuine CTX factory parts relieves the manufacturer of all liability.

IMPORTANT
 Contact your authorized service agent to perform maintenance and repairs. A service agency directory is supplied with your oven.

IMPORTANT
 CTX (manufacturer) reserves the right to change specifications and product design without notice. Such revisions do not entitle the buyer to corresponding changes, improvements, additions or replacements for previously purchased equipment.

RETAIN THIS MANUAL FOR FUTURE REFERENCE
 This manual provides detailed information for the installation and operation of your conveyor oven. It also contains information to assist the operator in diagnosing problems in the event of a malfunction. This manual is an important tool for the operator and should be kept readily available.

TABLE OF CONTENTS

SECTION 1	
DESCRIPTION	3
A. Features	3
B. Component Location and Function.....	3
C. Electrical Specifications	3
SECTION 2	
INSTALLATION	4
A. Installation Options and Kit Availability	4
B. Assembly.....	4
C. Electrical Connection	4
SECTION 3	
OPERATION	5
A. Location and Function of Controls	5
B. Daily Startup Procedure	5
C. Operation.....	6
D. Shutdown Procedure	6
E. Programming Preset Menu Selections	7
F. Cooking Time and Temperature Guidelines....	8
G. Draft Curtain Adjustment	8
H. Daily Cleaning	9
I. Display Messages and Error Codes	10
SECTION 4	
ELECTRICAL WIRING DIAGRAMS	11
A. Wiring Diagram and Schematic: TCO21140063 (USA & Std. Export, 208V) and TCO21140066 (USA & Std. Export, 240V)	11
B. Wiring Diagram and Schematic: TCO21140035 (European Export, 230V)	11
C. Wiring Diagram and Schematic: TCO21140077 (European Export, 380-400V).....	12

© 2000 CTX, A Middleby Company

 is a registered trademark of CTX, A Middleby Company. All rights reserved.

CTX • 1400 Toastmaster Drive • Elgin, IL 60120 • USA • (847)741-3300 • FAX (847)741-4406

Middleby Corp 24-Hour Service Hotline 1-800-238-8444

www.middleby.com

SECTION 1 - DESCRIPTION

ENGLISH

A. FEATURES

The Model TCO2114 Mighty Chef™ Conveyor Oven is designed to quickly and easily cook, bake, and broil a variety of food products with consistent quality and results. The oven is ideal for preparing pizza, garlic toast, cookies, sandwiches, and other food products.

Features of the Mighty Chef include:

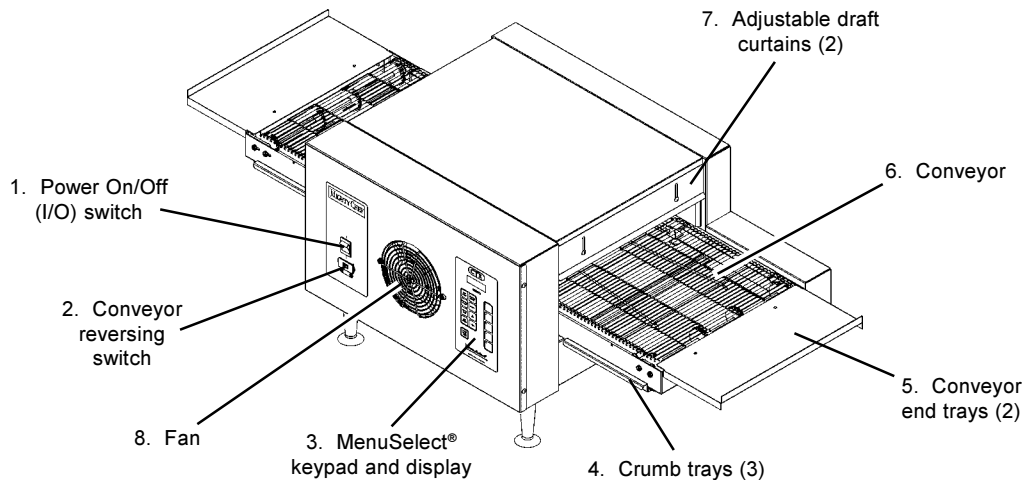
- An electronic, programmable controller that allows up to 5 preset menu selections
- A cool exterior for increased safety
- A 14" (356mm)-wide conveyor belt that can be easily set to operate in either direction
- Adjustable draft curtains that reduce draft into the oven and prevent heat loss into the environment
- Welded and reinforced stainless steel construction
- Fast countertop installation - no additional components required

B. COMPONENT LOCATION AND FUNCTION

Refer to Fig. 1 for the locations of these components.

- 1-3. Oven controls - see Section 3, **Operation**.
4. Crumb trays (3 total) - Collect crumbs that pass through the conveyor. One center crumb tray is located underneath the center of the conveyor. One end crumb tray is located underneath EACH end of the conveyor.
5. Conveyor end trays - Provide additional loading/exit space at the ends of the conveyor.
6. Conveyor - Transports the product through the oven, and between the top and bottom heating elements.
7. Adjustable draft curtains (2 total) - Reduce draft into the oven and prevent heat loss into the environment.
8. Fan - Cools the interior components of the oven.

Figure 1 - Component location



C. ELECTRICAL SPECIFICATIONS

	<i>TCO21140063</i>	<i>TCO21140066</i>	<i>TCO21140035</i>	<i>TCO21140077</i>
Operating Voltage	208V	240V	230V	380-400V
Frequency	50/60 Hz	50/60 Hz	50 Hz	50 Hz
Phase	1 Ph	1 Ph	1 Ph	3 Ph
kW Rating	5.0kW	5.3kW	5.0kW	5.0kW
Current Draw	24.0A (total)	22.1A (total)	21.1A (total)	
L1	N/A	N/A	N/A	0.3A
L2	N/A	N/A	N/A	10.5A
L3	N/A	N/A	N/A	10.3A
N	N/A	N/A	N/A	10.3A
Cord/Plug Information	Attached cord with NEMA 6-30P plug	Attached cord with NEMA 6-30P plug	Kabelmetal-type HO7RN-F cord with 3 x 4.0mm conductors and moulded-on IEC 309 plug Plug is rated 230VAC, 32A	N/A

SECTION 2 - INSTALLATION

IMPORTANT

IT IS THE CUSTOMER'S RESPONSIBILITY TO REPORT ANY CONCEALED OR NON-CONCEALED DAMAGE TO THE FREIGHT COMPANY.

A. INSTALLATION OPTIONS & KIT AVAILABILITY

If the installation will require two or three ovens to be stacked, you must use the separately-available Stacking Kit (P/N T2114STACK). One Kit is required for a two-stack, while two kits are required for a three-stack. **Stacking more than three ovens is not permitted.**

Wherever the Stacking Kit's instructions are different from those listed below, follow the instructions provided with the Kit.

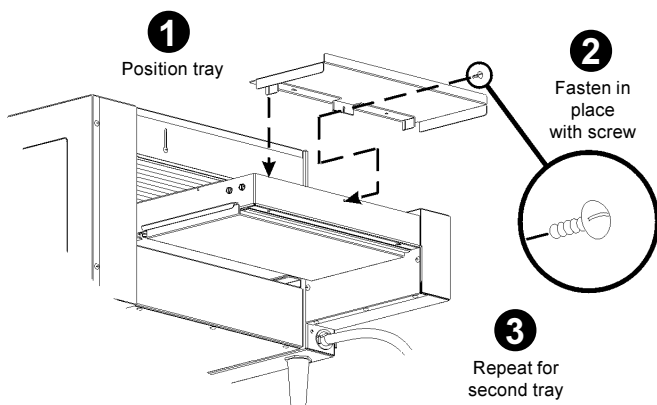
B. ASSEMBLY

1. *Installing the Legs*
 - a. Carefully tilt the oven onto its rear side. The front (controller) side should be facing directly upwards.
 - b. Thread the four legs into the holes provided on the bottom of the oven. Tighten them until they are secure.
2. *Installing the Conveyor End Trays*
 - a. Press one of the conveyor end trays down over the end plate of the conveyor frame, as shown in Figure 2.
 - b. Fasten the end tray in place with one of the supplied 8-32x3/8" screws, as shown in Figure 2.
 - c. Repeat the above steps to install the second end tray at the opposite end of the conveyor frame.

CAUTION

THE SUPPLIED LEGS AND THE END TRAYS MUST BE FASTENED IN PLACE BEFORE OPERATING THE OVEN.

Figure 2 - End Tray Installation



C. ELECTRICAL CONNECTION

IMPORTANT

- Wiring diagrams for the oven are provided on pages 9-10 of this Manual.
- The electrical connection to the oven requires a circuit breaker/fused disconnect. Consult applicable national and local code requirements to determine the rating of the breaker/disconnect. Electrical specifications are listed on the oven's serial plate and in the Electrical Specifications table (in Section 1 of this Manual).

- The toaster's power cord and plug provide an electrical ground connection. A separate equipotential ground connection must also be made if required by national or local codes.
 - Consult all applicable national and local codes for further electrical connection requirements.
1. Before proceeding with the electrical connection, check that the electrical supply matches the oven's requirements. Refer to the serial plate and to the Electrical Specifications table (in Section 1 of this Manual).



WARNING

ENSURE THAT BOTH THE CIRCUIT BREAKER/FUSED DISCONNECT AND THE POWER ON/OFF (I/O) SWITCH ARE IN THE "O" (OFF) POSITION BEFORE PROCEEDING.

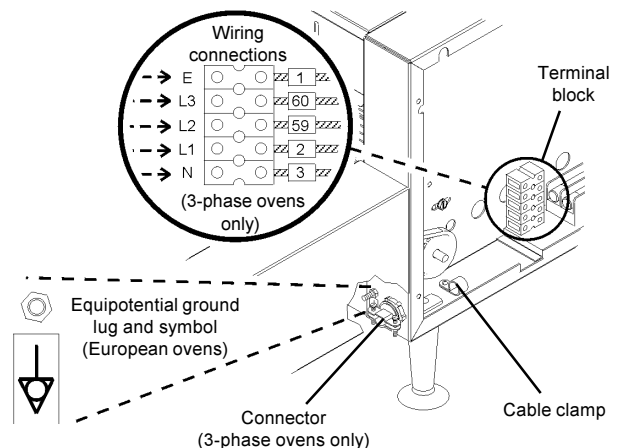


WARNING

ENSURE THAT ANY PACKING MATERIAL RESIDUE HAS BEEN REMOVED FROM INSIDE THE OVEN'S COOKING CHAMBER.

2. *Single-phase Mighty Chef ovens only:*
 - Check that the appropriate receptacle is available for the power cord plug.
 - Insert the power cord plug into its receptacle.
3. *Three-phase Mighty Chef ovens only:*
 - Remove the two screws that hold the rear cover panel in place; then, remove the cover panel.
 - Insert the end of the electrical supply through the connector shown in Figure 3.
 - Attach the electrical supply wires to their terminal block connections, as shown in Figure 3.
 - Secure the supply wires to the floor of the electrical compartment using the supplied cable clamp. The wires must not interfere with the drive chain and sprocket. See Figure 3.
 - Secure the supply as it passes through the connector on the outside wall of the oven.
 - Replace the rear wall of the oven and fasten it in place.
4. If required by national or local codes, connect an equipotential ground wire to the lug shown in Figure 3. The equipotential ground connection must meet all applicable national and local code requirements.

Figure 3 - Electrical Connections



SECTION 3 - OPERATION

A. LOCATION AND FUNCTION OF CONTROLS

This section provides a basic description of the Mighty Chef oven's controls, their location, and the functions they perform. The operator MUST be familiar with the controls. See Figure 4.

1. **MenuSelect® controller**
Multi-function keypad which contains the following:
 - a. *The display* shows the current preset menu selection, temperatures, cook time, or error/ service information, depending on the mode of operation.
 - b. *The ready light* illuminates when both heating zones of the oven have reached their set temperatures.
 - c. *The Top Temp key* displays/sets the top zone temperature.
 - d. *The Bottom Temp key* displays/sets the bottom zone temperature.
 - e. *The Cook Time key* displays/sets the cook time.
 - f. *The Ref Temp key* displays a reference temperature for the top or bottom heating zone.
 - g. *The Sngl Pizza key* adjusts the temperature of the top heating zone to properly cook a single pizza, or the last of a group of pizzas.
 - h. *The Prog key* allows reprogramming of the five Preset Menu Selections.
 - i. *The Prog Override key* allows a Preset Menu Program to be temporarily changed.

- j. *The Up Arrow and Down Arrow keys* are used to edit cook time and temperature settings.
 - k. *The Preset Menu keys (1-5)* are used to select a Preset Menu to change or operate.
2. **Power On/Off (I/O) switch**
Switches the oven ON ("I") and OFF ("O").
3. **Conveyor reversing switch**
Changes the direction of conveyor travel.

CAUTION

Do not operate the conveyor reversing switch while the conveyor is in motion.

B. DAILY STARTUP PROCEDURE

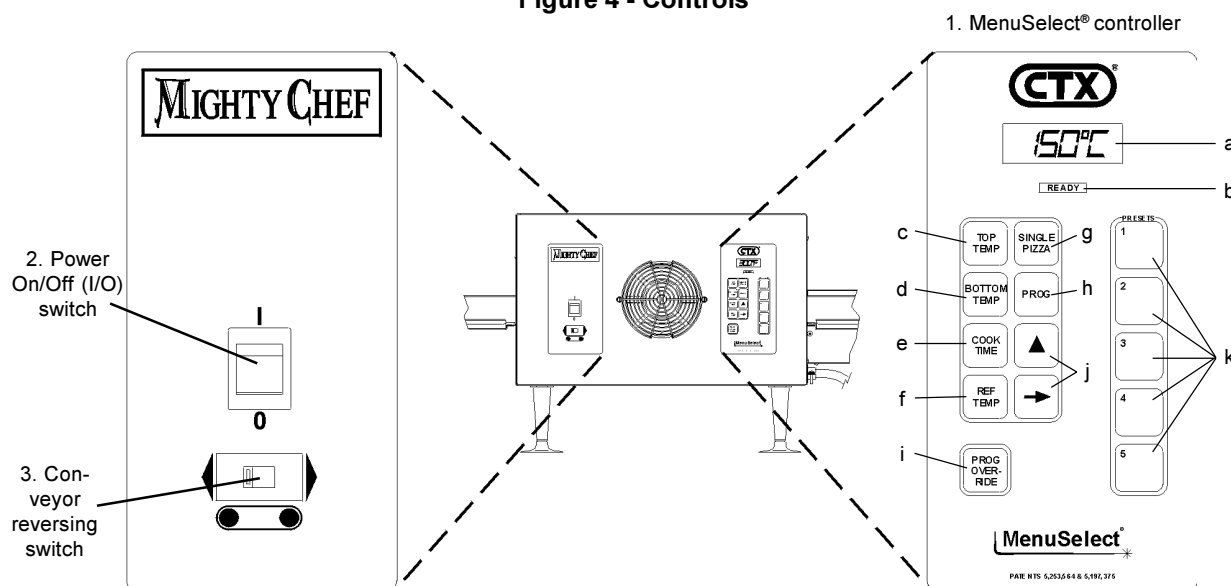
1. Adjust the position of the draft curtains at the ends of the cooking chamber (if necessary). This procedure is described in detail in Part G, *Draft Curtain Adjustment*, in this Section.

IMPORTANT




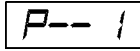




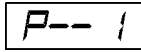








When cooking at very high temperatures (either heating zone is 400°F / 204°C or higher), the oven should be pre-heated for at least 10 minutes WITH THE DRAFT CURTAINS IN THE FULLY-LOWERED POSITION and both heating zones set to 599°F / 315°C. After pre-heating, the curtains may be repositioned as required.

2. Restore power to the oven at the circuit breaker/fused disconnect.
3. Switch the Power On/Off (I/O) Switch to the ON ("I") position.

Figure 4 - Controls



C. OPERATION

1. **TO PROGRAM A NEW PRESET MENU SELECTION:** Perform the procedure in Part E, *Programming Preset Menu Selections*, in this Section. At least one menu selection **MUST** be programmed before the oven can be operated.
-
2. **TO TEMPORARILY OVERRIDE A PRESET MENU SELECTION:** Perform the procedure in Part E, *Programming Preset Menu Selections*, **BUT** press  instead of  (in Steps 3 and 8). Instead of permanently overwriting the menu selection, the new set temperature and cook time settings are only temporary. To cancel the temporary menu selection, press any preset menu key or disconnect electrical power to the oven.
-
3. **TO CHOOSE A PRESET MENU SELECTION:**
- Press  (or any other preset menu key). The display will read . The number in the display ("1" is shown above) will match the menu key that was pressed (1-5).
 - Wait for the  light to illuminate. The light will illuminate after both heating zones reach their set temperatures.
 - Load the product onto the conveyor.
-
4. **TO COOK A SINGLE PIZZA, OR THE LAST OF A GROUP OF PIZZAS:**
- Choose a preset menu selection, and wait for the  light to illuminate.
 - Press .  and  will alternate in the display. The number in the display ("1" is shown above) will match the current menu selection (1-5).
 - Load the pizza product onto the conveyor.
- IMPORTANT**
After 1/2 of the cook time has elapsed, the temperature of the top zone will be automatically lowered. After the entire cook time has elapsed, the program will return to its normal top zone temperature.
- After  is pressed, the menu selection cannot be changed until the cook time has elapsed.*
-
5. **TO VIEW THE SET TEMPERATURES:** Press either  or . The top or bottom set temperature will be displayed for 5 seconds.
-
6. **TO VIEW HEATING ZONE REFERENCE TEMPERATURES:** Press  +  or  + . The top or bottom reference temperature will be displayed for 5 seconds.
-
7. **TO VIEW THE COOK TIME:** Press . The cook time will be displayed for 5 seconds.




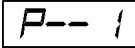





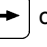

D. SHUTDOWN PROCEDURE

- Switch the Power On/Off (I/O) switch to the OFF ("O") position.
- Wait for the oven's cooling fan to turn off.
- Disconnect electrical power to the oven at the circuit breaker/fused disconnect.

E. PROGRAMMING PRESET MENU SELECTIONS




IMPORTANT

Adding a menu program to the oven will overwrite an existing program. DO NOT enter a new menu program over an existing program that you wish to keep!

1. Restore power to the oven at the circuit breaker/fused disconnect.
2. Switch the Power On/Off (I/O) Switch to the ON ("I") position.
3. Press and hold  until  appears in the display.
4. **CHOOSE A MENU SELECTION TO PROGRAM** Press and hold  (or any other preset menu key) until  appears in the display and begins to flash. The number in the display ("1" is shown above) will match the menu key that was pressed (1-5).
5. **SET TOP TEMPERATURE**
 - a. Press . The current top set temperature appears in the display.
 - b. Press  and  as necessary to change the displayed temperature.
 - Pressing  once increases the "active" (flashing) digit by one. This digit "rolls over" to its minimum value if  is pressed when the digit shows its maximum value.
 - Pressing  once causes the next digit to the right to become the "active" (flashing) digit. If the far-right digit is flashing when  is pressed, the far-left digit will flash and become the "active" digit.




IMPORTANT

The allowed temperature range is 200-599°F (93-315°C). If you program a set temperature between 0°F (or 0°C) and 99°F (37°C), the heater will be set to OFF. If you program a set temperature between 100°F (38°C) and 199°F (92°C), the temperature will automatically change to 200°F (93°C), the display will flash, and a beep will sound to alert you to the temperature change.

6. **SET BOTTOM TEMPERATURE**
 - a. Press . The current bottom set temperature appears in the display.
 - b. Press  and  as necessary to change the displayed temperature.







IMPORTANT

Unless you are following specific time and temperature instructions, the top and bottom zone temperatures should be set WITHIN 50°F (28°C) of each other. Greater temperature differences may cause the hotter zone to heat the cooler zone. This can cause inconsistent cooking results.

7. **SET COOK TIME**
 - a. Press . The current cook time appears in the display (minutes : seconds).
 - b. Press  and  as necessary to change the displayed time.

IMPORTANT

The allowed cook time range is 00:30-15:00. If you program a cook time outside of this range, the time will change to the closest allowed time (00:30 if your time was too short, or 15:00 if it was too long). The display will flash, and a beep will sound to alert you to the changed cook time.

8. Press ONE of the following keys:
 - , , or : Re-enter the top setpoint temperature, bottom set point temperature, or cook time.
 - : Turn off Programming Mode. This returns the oven to normal operation.
 - Any other key except  or : Resume operation, but leave Programming Mode active. Other Preset Menu Selections can be programmed at this time.

F. COOKING TIME AND TEMPERATURE GUIDELINES

IMPORTANT

The cooking times and temperatures shown below are recommendations only. You should always test each food product to determine correct time and temperature settings.

PRODUCT	SET TEMPERATURE		COOK TIME
	upper	lower	
Bagel Bites	400°F/204°C	420°F/216°C	5:00
Biscuits	250°F/121°C	335°F/168°C	6:45
Bread Sticks (retherm)	425°F/218°C	475°F/246°C	4:30
Cheese Sticks (frozen)	460°F/238°C	445°F/229°C	6:00
Chicken Nuggets (frozen)	460°F/238°C	445°F/229°C	6:00
Cookies	375°F/191°C	375°F/191°C	9:00
Garlic Bread (retherm)	425°F/218°C	475°F/246°C	2:30
Hamburgers (frozen)	540°F/282°C	540°F/282°C	5:00
Jalapeno Poppers	460°F/238°C	400°F/204°C	6:45
Pizza (fresh), 12" (300mm) dia.	375°F/191°C	480°F/249°C	6:30
Pizza (retherm), slice	425°F/218°C	500°F/260°C	2:15
Pizza (frozen - slacked in refrigerator 12 hrs. before cooking), 6-8" (150-200mm) dia.	380°F/193°C	430°F/221°C	6:30
Pizza, par baked crust	470°F/243°C	525°F/274°C	6:30
Pretzels (pre-cooked)	505°F/263°C	540°F/282°C	0:45
Sandwiches, open-faced	550°F/288°C	550°F/288°C	0:50

G. DRAFT CURTAIN ADJUSTMENT

The draft curtains may need to be repositioned to provide adequate clearance for some food products. The curtains should be positioned to prevent drafts into the oven, and heat loss into the environment.

The draft curtains can be removed from the oven to permit the maximum vertical clearance above the conveyor.



WARNING

BEFORE ADJUSTING THE DRAFT CURTAINS, SWITCH THE POWER ON/OFF (I/O) SWITCH TO THE OFF ("O") POSITION.



CAUTION - HOT

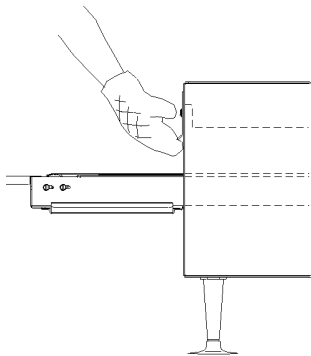
WHEN REPOSITIONING THE CURTAINS:

- **WEAR A HEAVY OVEN MITT.**
- **DO NOT REACH INTO THE OVEN'S COOKING CHAMBER!** See Figure 5.

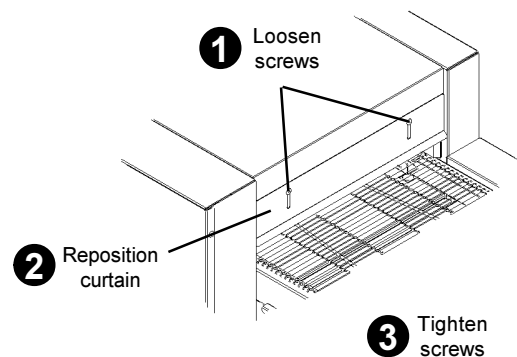
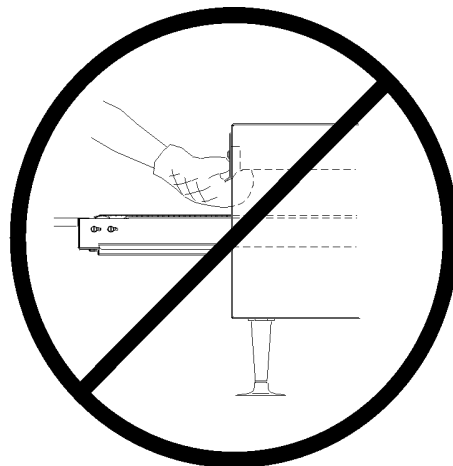
- To reposition the draft curtains:
 - Loosen the two screws that hold the draft curtain in place. See Figure 5.
 - Slide the curtain to the desired clearance above the conveyor.
 - Tighten the two screws to hold the curtain in place.
 - Repeat these steps for the curtain at the opposite end of the oven.
- To remove the curtains from the oven:
 - Remove the two screws that hold the draft curtain in place.
 - Remove the draft curtain.
 - Repeat these steps for the curtain at the opposite end of the oven.

Figure 5
Repositioning the draft curtains

DO keep hands outside of cooking chamber



DO NOT reach inside cooking chamber



H. DAILY CLEANING



WARNING

WHEN CLEANING THE OVEN:

- **NEVER USE PRESSURIZED WATER.**
- **NEVER USE A CLEANING SOLUTION OTHER THAN SOAP AND WATER ON PORTIONS OF THE OVEN THAT COME INTO CONTACT WITH FOOD PRODUCTS. THESE AREAS INCLUDE THE CONVEYOR BELT AND END TRAYS.**
- **NEVER APPLY ENOUGH LIQUID TO STAND IN PLACE ON THE OVEN. LIQUID INSIDE THE OVEN WILL CAUSE A SEVERE ELECTRICAL HAZARD AND MAY OTHERWISE DAMAGE THE OVEN.**

CAUTION

DO NOT clean your oven using abrasive cleaners or pads. Both will scratch and dull the finish.

1. With the conveyor running, use a brush to clean any crumbs off the conveyor into the crumb trays.
2. Switch the Power On/Off (I/O) switch to the OFF ("O") position, and wait for the cooling fan to turn off.
3. Disconnect electrical power to the oven at the circuit breaker/fused disconnect.
4. Allow the oven to cool.



CAUTION - HOT

DO NOT TOUCH HOT SURFACES ON THE OVEN, OR REACH INTO THE COOKING CHAMBER, UNTIL THE UNIT HAS COOLED THOROUGHLY.

5. Thoroughly clean the fan grill on the front of the oven using a stiff nylon brush. See Figure 6.
6. Clean the end trays USING SOAP AND WATER ONLY and towel them dry. If necessary, the end trays can be removed for cleaning by removing the screws that hold them in place. See Figure 2 (in the Installation section of this Manual).

IMPORTANT

If the end trays are removed for cleaning, they must be replaced prior to operating the oven.

7. Slide the end crumb trays out from underneath the entrance and exit ends of the conveyor. See Figure 6.
8. Lift BOTH ends of the center crumb tray; then, slide the tray out of either end of the oven.
9. Clean all three of the crumb trays using a commercial oven cleaner. If necessary, towel them dry.
10. Replace the center crumb tray in the oven as shown in Figure 7.

IMPORTANT

Proper positioning of the center crumb tray is **REQUIRED** for proper cooking. Ensure that the tray is replaced inside the conveyor frame, as shown in Figure 7, and **NOT** on the floor of the cooking chamber!

11. Replace the two end crumb trays.
12. Clean the outside of the oven using a damp cloth with EITHER soap and water OR a stainless steel cleaner. Use caution to ensure that liquids do not enter the oven during cleaning, especially when wiping the fan grill.

Figure 6
End crumb trays and fan grill

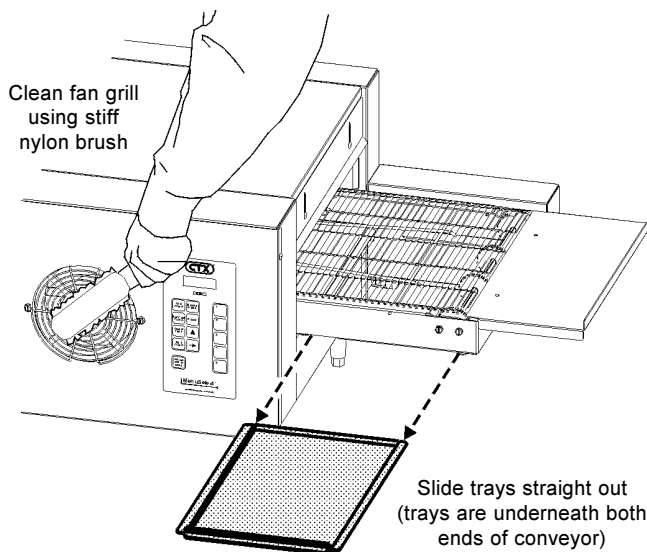
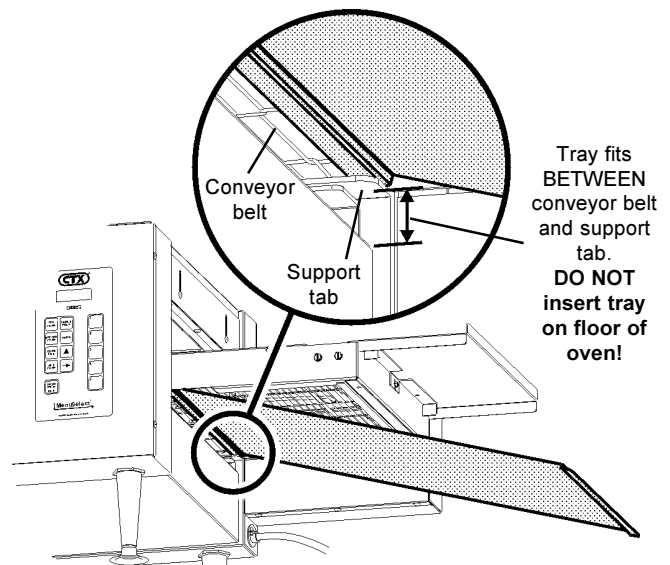


Figure 7
Center crumb tray placement



I. DISPLAY MESSAGES AND ERROR CODES

DISPLAY SHOWS PROBLEM

ACTION

Flashing temperatures or cook times during programming, and oven is beeping

Set Temperatures or Cook Time Outside of Allowed Range

Re-enter the program using Set Temperatures and Cook Time within the allowed range. Also, refer to Part E, *Programming Preset Menu Selections*, in this Section.

OFF

Heating Element turned off

If the element should be on, re-enter the program using Set Temperatures within the allowed range. Also, refer to Part E, *Programming Preset Menu Selections*, in this Section.

No Menu Selection Chosen

Choose or program a preset menu selection.

E-00

Preset Menu Program Lost

Re-enter the Preset Menu program.


E-01

High Ambient Condition
Temperature inside the control enclosure exceeds 65°C. The oven shuts down, then beeps continuously.

Check the cooling fan (centered on the front panel of the oven) for cleanliness and proper operation. If the fan is not running after the oven heats, or the oven remains in a high ambient condition, contact your local Authorized Service Agent.

E-02

Conveyor Runaway
The conveyor runs at full speed. The oven shuts down, then beeps continuously.

Check for the proper speed setting by pressing . If the speed setting is correct, and the conveyor continues to run at full speed, contact your Authorized Service Agent.

E-04

Conveyor Loose or Jammed
Conveyor is stopped when the speed setting is between 0:15 and 15:00.

Switch the Power On/Off (I/O) Switch to the OFF ("O") position. Switch the breaker/fused disconnect to the OFF position. Allow the oven to cool for at least 30 minutes.



CAUTION - HOT

DO NOT ATTEMPT TO FREE A JAMMED CONVEYOR BELT WHILE THE COOKING CHAMBER IS WARM. SEVERE INJURY MAY RESULT.

If the conveyor is jammed, free the obstruction from the conveyor belt. If the conveyor still will not operate properly after the jam is cleared, OR if the error message appears when the conveyor is NOT jammed, contact your local authorized service agent.

E-35

Top Heating Zone Failure

Contact your local authorized service agent.

E-36

Bottom Heating Zone Failure

Contact your local authorized service agent.

E-40

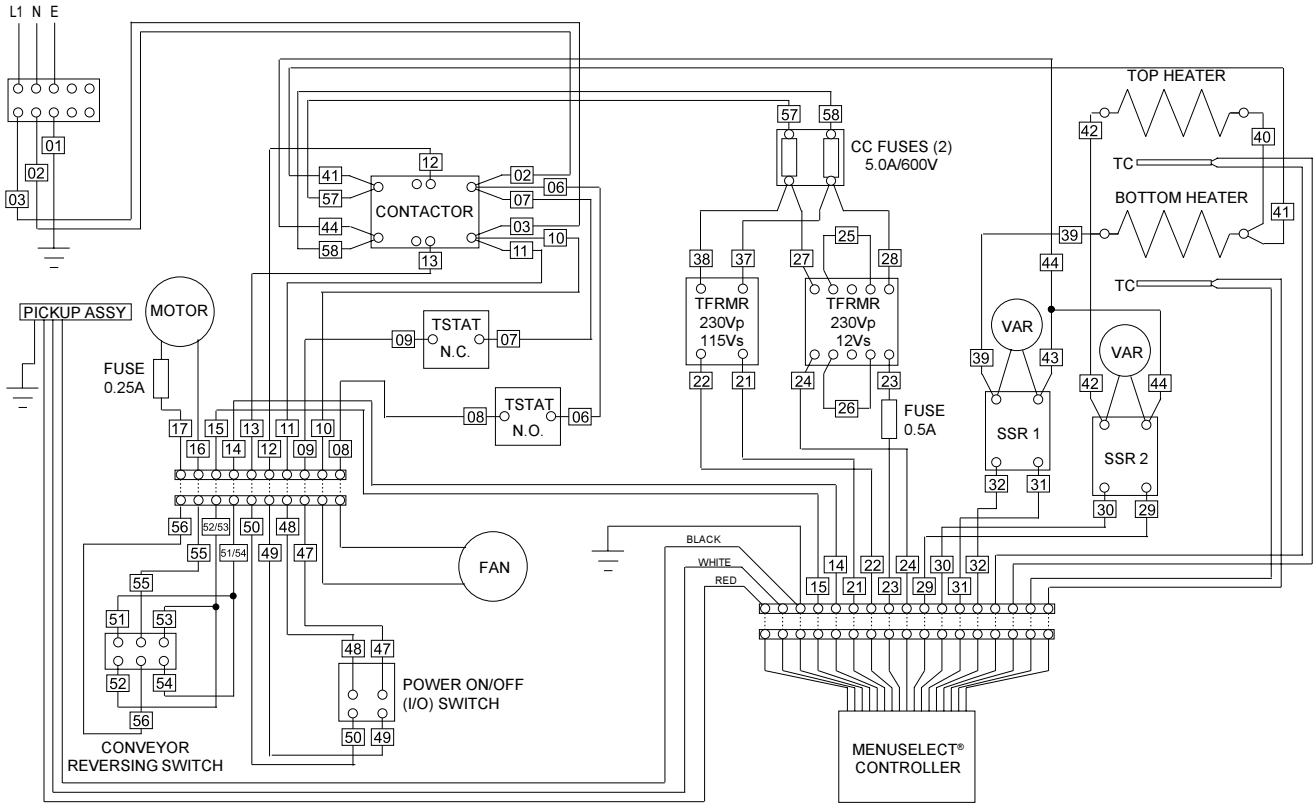
Heating Zone Temperature High Limit
One or both of the heating zones have reached a temperature greater than 315°C.

Contact your local authorized service agent.

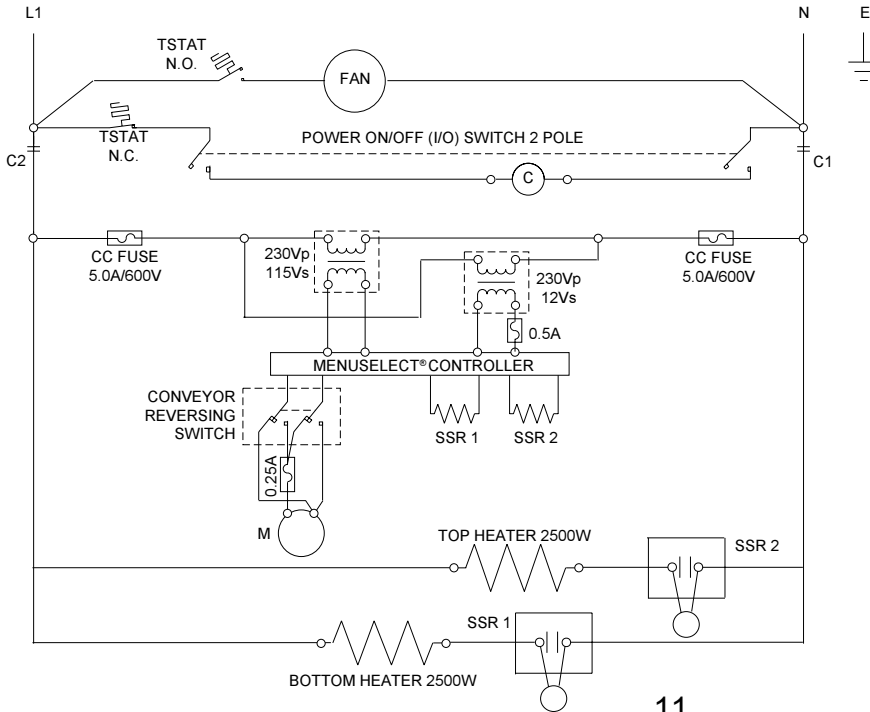
SECTION 4 - ELECTRICAL WIRING DIAGRAMS

Wiring Diagram, TCO21140063 (Domestic & Std. Export 208V)
and **TCO21140066** (Domestic & Std. Export 240V)

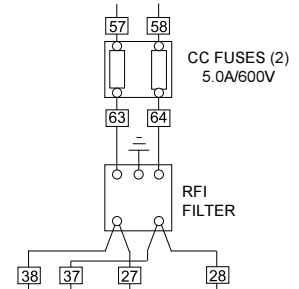
ENGLISH



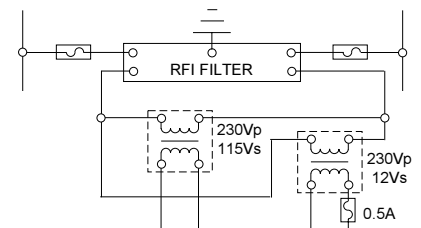
Electrical Schematic, TCO21140063 (Domestic & Std. Export 208V)
and **TCO21140066** (Domestic & Std. Export 240V)



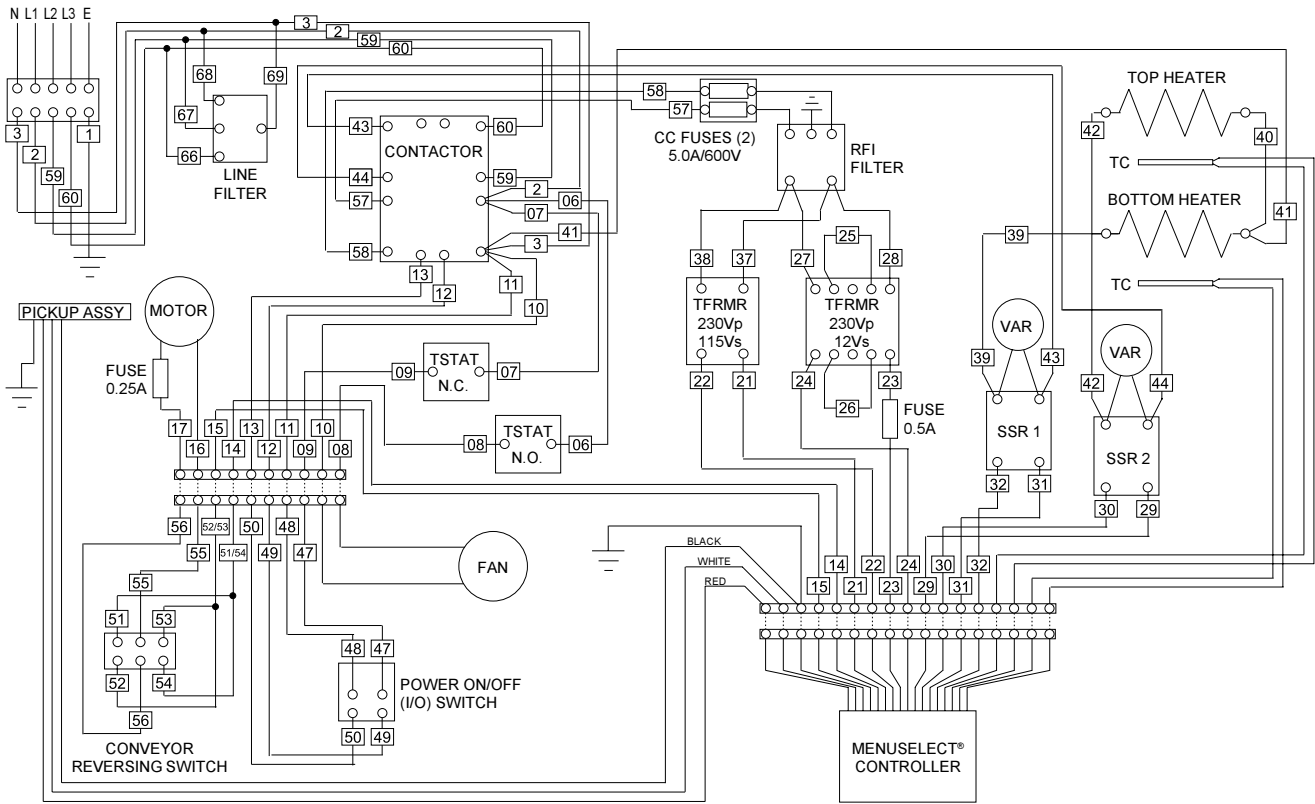
Wiring Diagram, TCO21140035
(European Export 230V)
Remainder of wiring matches
TCO21140063/0066



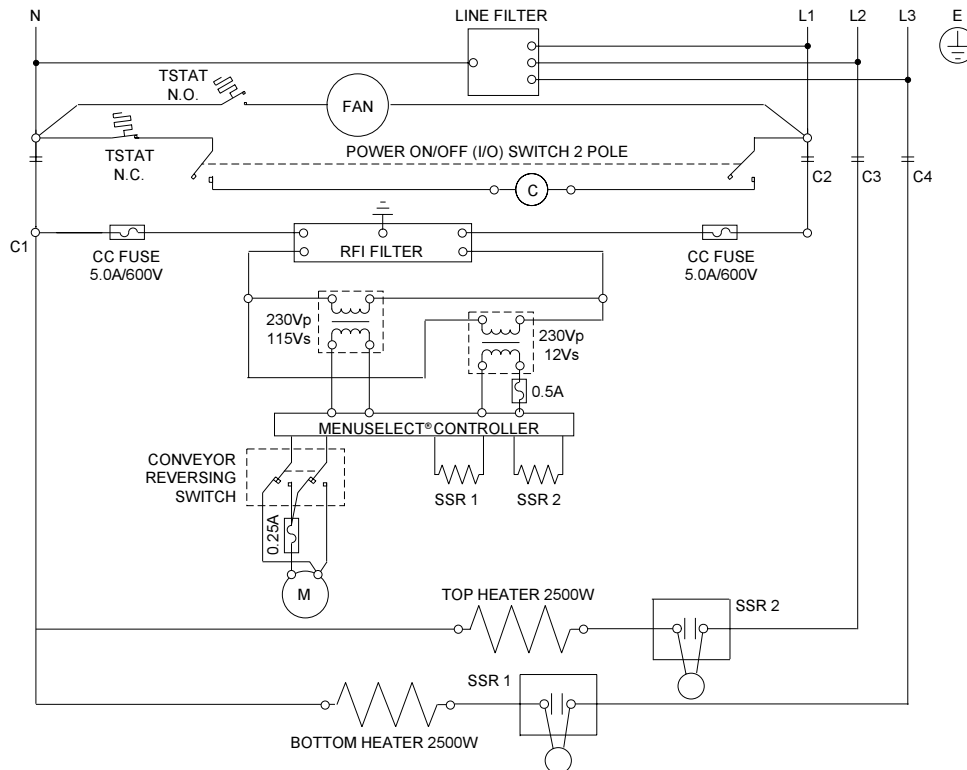
Electrical Schematic, TCO21140035
(European Export 230V)
Remainder of wiring matches
TCO21140063/0066



Wiring Diagram, TCO21140077 (European Export 380-400V)



Electrical Schematic, TCO21140077 (European Export 380-400V)



is a registered trademark of CTX, A Middleby Company. All rights reserved.

CTX • 1400 Toastmaster Drive • Elgin, IL 60120 • USA • (847)741-3300 • FAX (847)741-4406

Middleby Corp 24-Hour Service Hotline 1-800-238-8444

www.middleby.com

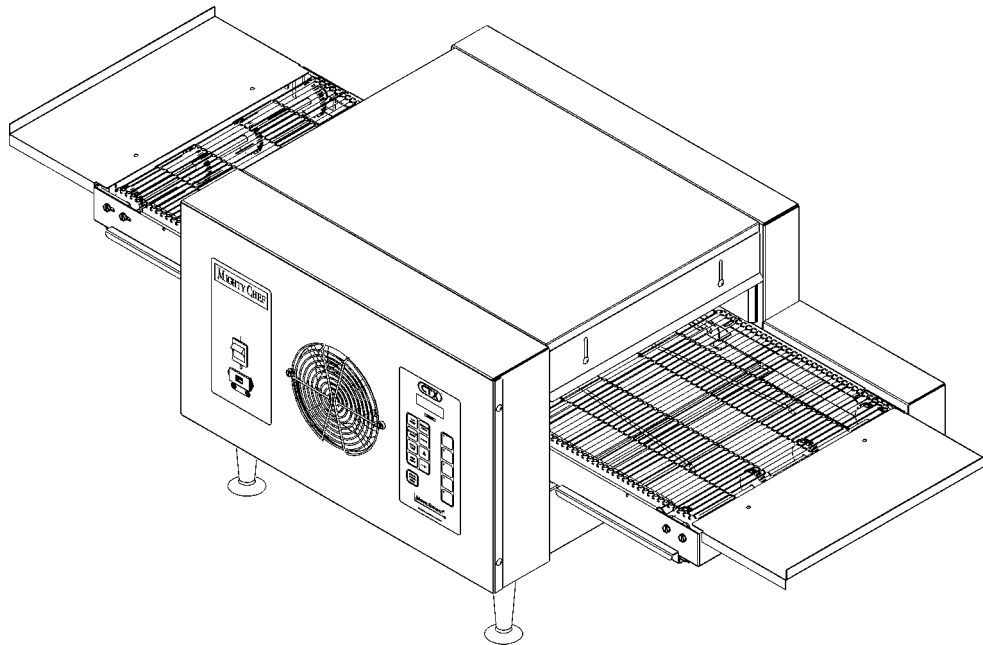
TCO2114

US-Version, Standard- und
europäische Export-Version

Englisch/DEUTSCH
Französisch/Spanisch



Teilenummer 43336
Rev. B • V1 • 5/00



MIGHTY CHEF™ Förderbandofen

Modelle:

- TCO21140063
(US- und Standard-Export-Version, 208V)
- TCO21140066
(US- und Standard-Export-Version, 240V)
- TCO21140035
(Europäische Export-Version, 230V)
- TCO21140077
(Europäische Export-Version, 380-400V)

Kombinationen:

- Einfach-Ofen
- Doppel-Ofen (zwei Etagen)
- Dreifach-Ofen (drei Etagen)

INSTALLATIONS- UND BENUTZERHANDBUCH

© 2000 CTX, A Middleby Company



ist eine eingetragene Marke von Middleby Marshall, Inc. Alle Rechte vorbehalten.

Middleby Cooking Systems Group • 1400 Toastmaster Drive • Elgin, IL 60120 • Tel.: 1-847-741-3300 • Fax: 1-847-741-4406



ENGLISH
page 1

DEUTSCH
Seite 13

FRANÇAIS
page 25

ESPAÑOL
página 37

WARNUNG: IM FALLE EINES BRANDES

TRENNEN SIE DEN OFEN SOFORT VOM STROMNETZ. DURCHAUSSCHALTEN DER ELEKTRISCHEN HEIZELEMENTE KANN DER OFEN ABKÜHLEN, WODURCH DER BRAND EINFACHER ZU LÖSCHEN IST.

WARNUNG: ZU IHRER EIGENEN SICHERHEIT

LAGERN UND VERWENDEN SIE KEIN BENZIN ODER ANDERE ENTZÜNDLICHE FLÜSSIGKEITEN ODER DÄMPFE IN DER UNMITTELBAREN UMGEBUNG DIESES UND ANDERER GERÄTE.

WARNUNG

UNSACHGEMÄßE INSTALLATION, EINSTELLUNGEN, MODIFIKATION ODER WARTUNG KANN ZU SACHSCHÄDEN, VERLETZUNGEN UND TOD FÜHREN. LESEN SIE SICH VOR INSTALLATION ODER WARTUNG DIESES GERÄTS SORGFÄLTIG DIE ANWEISUNGEN ZU INSTALLATION, BETRIEB UND WARTUNG DURCH.

WARNUNG

TRENNEN SIE DEN OFEN VOR REINIGUNGS- UND WARTUNGSARBEITEN VOM STROMNETZ.

VORSICHT

Die Verwendung anderer Teile als CTX-Originalteile enthebt den Hersteller von jeglicher Verpflichtung.

WICHTIGER HINWEIS

Wenden Sie sich für Wartungs- und Reparaturarbeiten an Ihre Vertragswerkstatt. Dem Ofen liegt ein Verzeichnis der Vertragswerkstätten bei.

WICHTIGER HINWEIS

CTX (als Hersteller) behält sich jederzeit ankündigungsfreie Änderungen an den technischen Daten und dem Produktdesign vor. Derartige Weiterentwicklungen begründen keinen Anspruch des Käufers auf entsprechende Änderungen, Verbesserungen, Erweiterungen oder Teileaustausch an zuvor gekauften Geräten.

DIESES HANDBUCH DIENT ALS NACHSCHLAGEWERK. BEWAHREN SIE ES SORGFÄLTIG AUF.

Dieses Handbuch enthält detaillierte Angaben zu Installation und Betrieb des Förderbandofens. Weiterhin enthält es wichtige Informationen, die im Falle einer Fehlfunktion bei der Diagnose des Problems helfen können. Dieses Handbuch ist von großer Bedeutung für den Bediener des Ofens und sollte daher stets verfügbar sein.

© 2000 CTX, A Middleby Company



ist eine eingetragene Marke von CTX, A Middleby Company. Alle Rechte vorbehalten.

CTX • 1400 Toastmaster Drive • Elgin, IL 60120 • USA • Tel.: 1-847-741-3300 • Fax: 1-847-741-4406

Middleby Corp. 24-Stunden-Service-Hotline: 1-800-238-8444

www.middleby.com

INHALT

ABSCHNITT 1	
BESCHREIBUNG	15
A. Produktmerkmale	15
B. Komponenten	15
C. Elektrische Daten	15
ABSCHNITT 2	
INSTALLATION	16
A. Installationsoptionen und verfügbare Kits	16
B. Zusammenbau	16
C. Elektrischer Anschluss	16
ABSCHNITT 3	
BETRIEB	17
A. Lage und Funktion der Bedienelemente	17
B. Normaler Einschaltvorgang	17
C. Betrieb	18
D. Normaler Ausschaltvorgang	18
E. Programmieren eigener Garprogramme	19
F. Empfehlungen für Garzeiten und Temperaturen	20
G. Einstellen der Abschlussbleche	20
H. Tägliche Reinigung	21
I. Meldungen und Fehlercodes	22
ABSCHNITT 4	
VERKABELUNGS- UND SCHALTPLÄNE .	23
A. Verkabelungs- und Schaltplan: TCO21140063 (US- und Standard-Export-Version, 208V) und TCO21140066 (US- und Standard-Export-Version, 240V)	23
B. Verkabelungs- und Schaltplan: TCO21140035 (Europäische Export-Version, 230V)	23
C. Verkabelungs- und Schaltplan: TCO21140077 (Europäische Export-Version, 380-400V)	24

ABSCHNITT 1 - BESCHREIBUNG

A. PRODUKTMERKMALE

Der Förderbandofen Modell TCO2114 Mighty Chef™ wurde für das schnelle und einfache Garen, Backen und Grillen einer Vielzahl von Gerichten mit gleichbleibender Qualität entwickelt. Der Ofen eignet sich ideal für die Zubereitung von Pizza, Knoblauchbrot, Cookies, Sandwiches u. v. a. m. Der Mighty Chef verfügt über die folgenden Produktmerkmale:

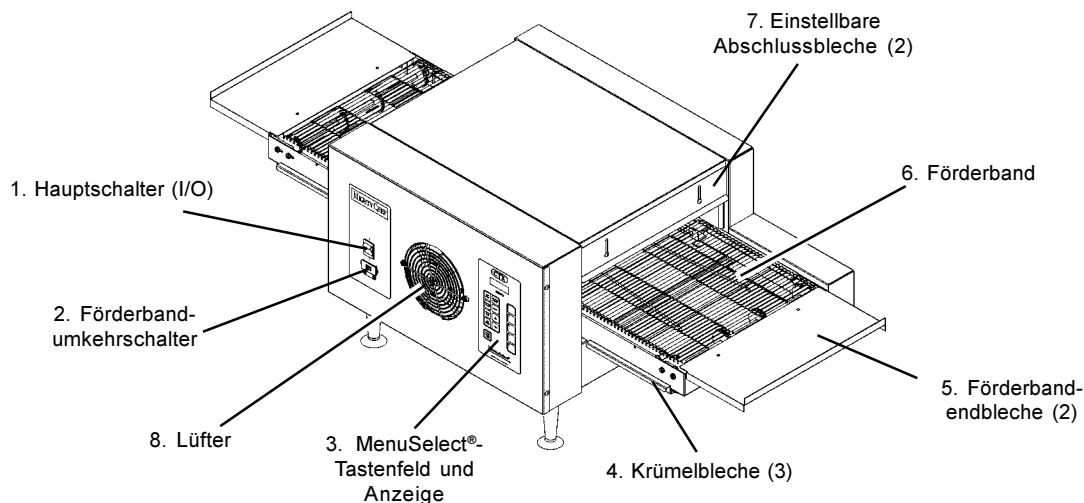
- Die programmierbare elektronische Steuerung erlaubt die Auswahl von fünf verschiedenen Garprogrammen.
- Das hitzeisolierte Außengehäuse sorgt für erhöhte Sicherheit.
- Das 14 Zoll (356mm) breite Förderband kann in beiden Laufrichtungen betrieben werden.
- Die einstellbaren Abschlussbleche reduzieren das Eindringen von Zugluft in den Ofen sowie die Abgabe von Hitze an die Umgebung.
- Verschweißte und verstärkte Stahlkonstruktion
- Schnelle Installation - es sind keine zusätzlichen Komponenten erforderlich.

B. KOMPONENTEN

Abbildung 1 zeigt die Position der einzelnen Komponenten.

- 1-3. Ofen-Steuerung - siehe Abschnitt 3, **Betrieb**.
4. Krümelbleche (insgesamt 3) - Diese dienen zum Auffangen der durch das Förderband fallenden Krümel. Ein zentrales Krümelblech befindet sich unterhalb des Förderbandes in der Ofenkammer. An BEIDEN Enden des Förderbandes befindet sich jeweils ein weiteres Krümelblech.
5. Förderbandendbleche - Diese bieten an den Enden des Förderbandes zusätzliche Arbeitsflächen für das Be- und Entladen des Förderbandes.
6. Förderband - Dieses transportiert die Gerichte zwischen den oberen und unteren Heizelementen durch den Ofen.
7. Einstellbare Abschlussbleche (insgesamt 2) - Diese reduzieren das Eindringen von Zugluft in den Ofen sowie die Abgabe von Hitze an die Umgebung.
8. Lüfter - Kühlt die internen Komponenten des Ofens.

Abbildung 1 - Komponenten



C. ELEKTRISCHE DATEN

	<i>TCO21140063</i>	<i>TCO21140066</i>	<i>TCO21140035</i>	<i>TCO21140077</i>
Betriebsspannung	208V	240V	230V	380-400V
Netzfrequenz	50/60Hz	50/60Hz	50Hz	50Hz
Phasen	einphasig	einphasig	einphasig	dreiphasig
Anschlusswert	5,0 kW	5,3 kW	5,0 kW	5,0 kW
Strombedarf	24,0 A (gesamt)	22,1 A (gesamt)	21,1 A (gesamt)	
L1	Nicht belegt	Nicht belegt	Nicht belegt	0,3 A
L2	Nicht belegt	Nicht belegt	Nicht belegt	10,5 A
L3	Nicht belegt	Nicht belegt	Nicht belegt	10,3 A
N	Nicht belegt	Nicht belegt	Nicht belegt	10,3 A
Informationen zu Kabel und Stecker	Fest angeschlossenes Kabel mit NEMA-6-30P-Stecker	Fest angeschlossenes Kabel mit NEMA-6-30P-Stecker	Kabelmetal HO7RN-F-Kabel mit drei 4,0-mm-Leitern und angegeschlossenem IEC 309-Stecker, Steckerklassifizierung: 230VAC, 32A	Nicht belegt

ABSCHNITT 2 - INSTALLATION

Wichtiger Hinweis

DER KUNDE IST DAFÜR VERANTWORTLICH, DEM FRACHTFÜHRER SICHTBARE UND VERBORGENE SCHÄDEN ZU MELDEN.

A. INSTALLATIONSOPTIONEN UND VERFÜGBARE KITS

Für die Installation von zwei oder drei Öfen übereinander ist das separat erhältliche Stapel-Kit (Teilenummer T2114STACK) erforderlich. Bei einem Doppel-Ofen benötigen Sie ein Kit, bei einem Dreifach-Ofen zwei Kits. **Es dürfen maximal drei Öfen übereinander installiert werden.**

Wo die dem Stapel-Kit beiliegenden Anweisungen von den folgenden Anweisungen abweichen, haben die Anweisungen des Stapel-Kits Vorrang.

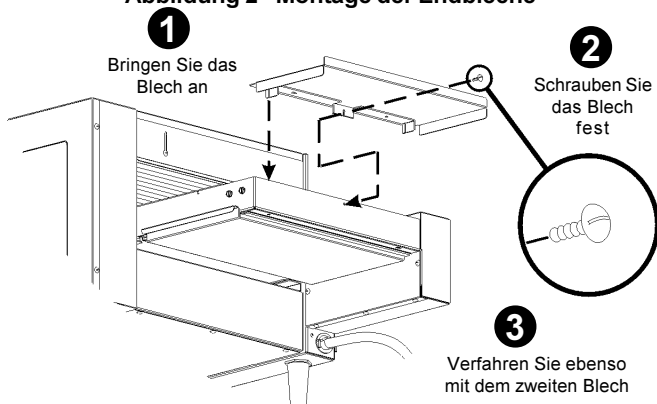
B. AUFSTELLUNG

1. *Installation der FüÙe*
 - a. Legen Sie den Ofen vorsichtig auf die Rückseite. Die Vorderseite (mit den Bedienelementen) sollte nach oben weisen.
 - b. Schrauben Sie die vier FüÙe an der Unterseite des Ofens in den dafür vorgesehenen Löchern fest. Ziehen Sie diese fest an, bis sie sicher sitzen.
2. *Installation der Förderbandendbleche*
 - a. Hängen Sie wie in Abbildung 2 dargestellt eines der Förderbandendbleche in das Ende des Förderbandrahmens ein.
 - b. Befestigen Sie das Endblech wie in Abbildung 2 dargestellt mit einer der mitgelieferten 8-32x3/8"-Schrauben.
 - c. Wiederholen Sie die Schritte a und b mit dem zweiten Endblech am entgegen gesetzten Ende des Förderbandrahmens.

VORSICHT

VOR INBETRIEBNAHME DES OFENS MÜSSEN DIE FÜÙE UND DIE ENDBLECHE MONTIERT WERDEN.

Abbildung 2 - Montage der Endbleche



C. ELEKTRISCHER ANSCHLUSS

WICHTIGER HINWEIS

- Auf den Seiten 23 und 24 dieses Handbuchs finden Sie die Verkabelungs- und Schaltpläne für den Ofen.
- Der elektrische Anschluss des Ofens muss über Leistungsschutzschalter oder Sicherungen abgesichert sein. Die Dimensionierung des Schutzschalters/der Sicherungen ergibt sich aus den anwendbaren nationalen und lokalen Bestimmungen. Die elektrischen Anschlusswerte finden Sie auf dem Typenschild des Ofens

sowie in der Tabelle Elektrische Daten in Abschnitt 1 dieses Handbuchs.

- Der Ofen wird über das Netzkabel und den Netzstecker geerdet. Sofern aufgrund nationaler oder regionaler Bestimmungen erforderlich muss außerdem eine separate Erdverbindung hergestellt werden.
 - Sofern nationale oder regionale Bestimmungen weitere Anforderungen an den elektrischen Anschluss stellen, sind diese zu erfüllen.
1. Kontrollieren Sie, dass die Stromversorgung den Anforderungen des Ofens (Spannung, Leistung) entspricht, bevor Sie mit dem elektrischen Anschluss fortfahren. Die entsprechenden Informationen finden Sie auf dem Typenschild sowie in der Tabelle Elektrische Daten in Abschnitt 1 dieses Handbuchs.



WARNUNG

VERGEWISSERN SIE SICH, DASS SOWOHL DER LEISTUNGS-SCHUTZSCHALTER/DIE SICHERUNG ALS AUCH DER HAUPTSCHALTER (I/O) AUSGESCHALTET (STELLUNG "O") SIND, BEVOR SIE FORTFAHREN.

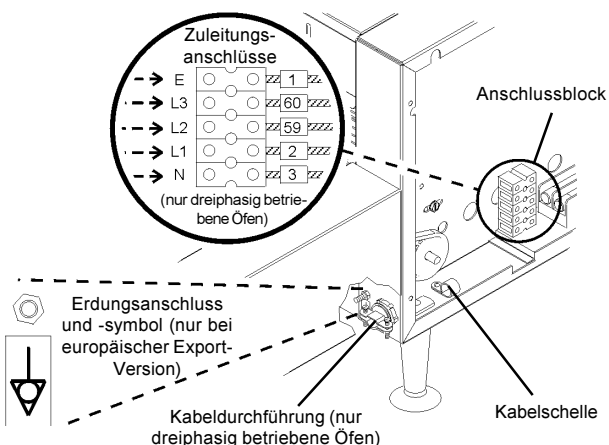


WARNUNG

VERGEWISSERN SIE SICH, DASS ALLE VERPACKUNGSRESTE AUS DER GARKAMMER DES OFENS ENTFERNT WURDEN.

2. *Bei einphasig betriebenen Mighty Chef-Öfen:*
 - Stellen Sie sicher, dass eine geeignete Steckdose für den Stecker des Netzkabels vorhanden ist.
 - Führen Sie den Stecker des Netzkabels in die Steckdose ein.
3. *Bei dreiphasig betriebenen Mighty Chef-Öfen:*
 - Entfernen Sie die beiden Schrauben der rückseitigen Abdeckung. Entfernen Sie dann die Abdeckung.
 - Führen Sie das Ende des Anschlusskabels durch die in Abbildung 3 dargestellte Kabeldurchführung.
 - Schließen Sie wie in Abbildung 3 dargestellt die einzelnen Leiter des Anschlusskabels am Anschlussblock an.
 - Fixieren Sie das Anschlusskabel mit Hilfe der mitgelieferten Kabelschelle am Ofenboden. Achten Sie darauf, dass das Kabel nicht zwischen Antriebsritzel und -kette geraten kann (siehe Abbildung 3).
 - Fixieren Sie das Anschlusskabel in der Kabeldurchführung.
 - Bringen Sie die Abdeckung wieder an, und schrauben Sie diese wieder fest.
4. Sollten nationale oder regionale Bestimmungen dies erfordern, so schließen Sie eine Erdleitung an den Erdungsanschluss (siehe Abbildung 3) an. Die Erdverbindung muss allen zutreffenden nationalen und regionalen Anforderungen entsprechen.

Abbildung 3 - Elektrischer Anschluss



ABSCHNITT 3 – BETRIEB

A. LAGE UND FUNKTION DER BEDIENELEMENTE

In diesem Abschnitt finden Sie eine kurze Einführung in die Bedienelemente des Mighty Chef-Ofens, wo diese liegen und welche Funktion sie haben. Der Bediener muss mit diesen Steuerelementen (siehe Abbildung 4) vertraut sein.

1. MenuSelect®-Steuerung

Multifunktionsstastenfeld mit folgenden Elementen:

- Die Anzeige dient je nach Betriebsart zur Anzeige des ausgewählten Garprogramms, der Temperaturen und Garzeiten sowie von Fehler- und Wartungsinformationen.
- Die Bereitschafts-Kontrollleuchte leuchtet, sobald beide Heizzonen des Ofens die Solltemperatur erreicht haben.
- Die Taste "Top Temp" (Obertemperatur) dient zur Anzeige und Einstellung der Solltemperatur der oberen Heizzone.
- Die Taste "Bottom Temp" (Untertemperatur) dient zur Anzeige und Einstellung der Solltemperatur der unteren Heizzone.
- Die Taste "Cook Time" (Garzeit) dient zur Anzeige und Einstellung der Garzeit.
- Die Taste "Ref Temp" (Referenztemperatur) dient zur Anzeige einer Referenztemperatur für die obere oder die untere Heizzone.
- Die Taste "Sngl Pizza" (Einzelpizza) bewirkt beim Backen einer einzelnen Pizza oder der letzten aus einer Reihe von Pizzen eine entsprechende Anpassung der Temperatur der oberen Heizzone.
- Die Taste "Prog" (Programmieren) ermöglicht eine Neuprogrammierung der fünf voreingestellten Garprogramme.

- Die Taste "Prog Override" (Programmierung überschreiben) ermöglicht die vorübergehende Änderung eines Garprogramms.
- Die Pfeil-Auf- und Pfeil-Ab-Tasten dienen zum Einstellen der Garzeit und Temperatureinstellungen.
- Die Garprogramm-Tasten (1-5) dienen zur Auswahl des zu ändernden oder auszuführenden Garprogramms.

2. Hauptschalter (I/O)

Zum Ein- (I) und Ausschalten (O) des Ofens.

3. Förderbandumkehrschalter

Ändert die Laufrichtung des Förderbands.

VORSICHT

Der Förderbandumkehrschalter darf nur bei still stehendem Förderband betätigt werden.

B. NORMALER EINSCHALTVORGANG

- Stellen Sie (sofern erforderlich) die Abschlussbleche an beiden Enden der Garkammer ein. Dieser Vorgang wird in Teil G dieses Abschnitts, *Einstellen der Abschlussbleche*, detailliert beschrieben.

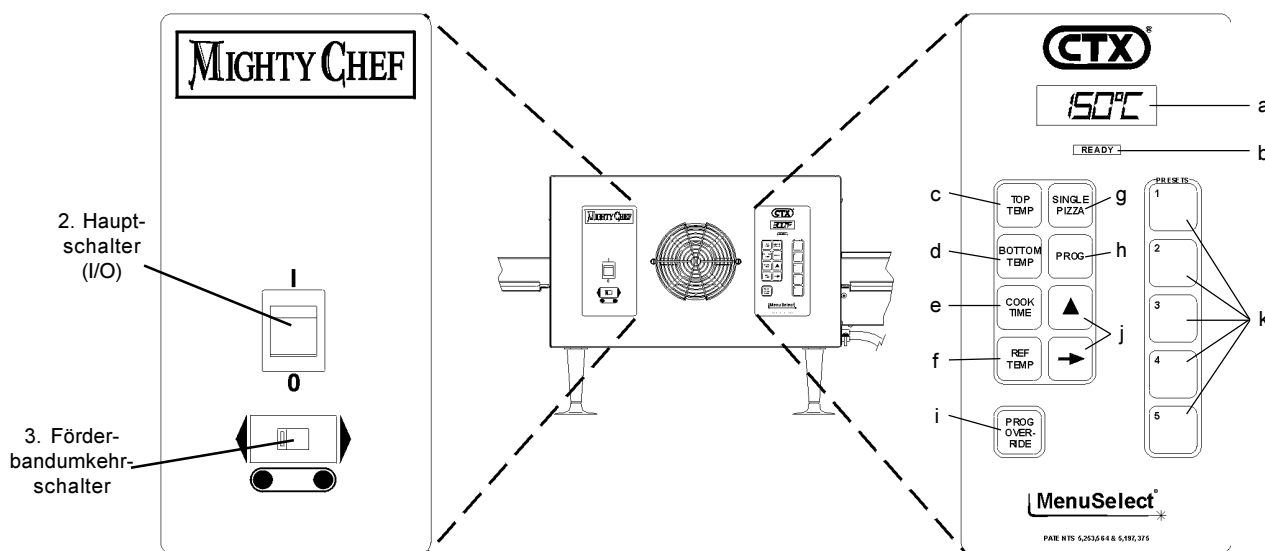
WICHTIGER HINWEIS

Beim Betrieb mit extrem hohen Temperaturen (mindestens eine der Heizzonen wird über 200°C betrieben) muss der Ofen mindestens 10 Minuten lang vorgeheizt werden. Dabei müssen die Abschlussbleche vollständig abgesenkt und beide Heizzonen auf 315°C eingestellt sein. Nach dem Vorheizen können die Abschlussbleche ggf. neu eingestellt werden.




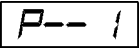




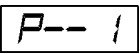



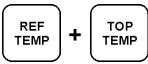
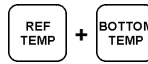

- Schalten Sie den Leistungsschutzschalter oder die Sicherungen ein.
- Schalten Sie den Hauptschalter (I/O) ein (I).

DEUTSCH

Abbildung 4 – Bedienelemente



C. BETRIEB

1. **PROGRAMMIEREN EINES NEUEN GARPROGRAMMS:** Detaillierte Informationen zur Programmierung finden Sie in Teil E dieses Abschnitts, *Programmieren eigener Garprogramme*. Bevor Sie den Ofen in Betrieb nehmen können, MUSS mindestens ein Garprogramm programmiert sein.
2. **VORÜBERGEHENDE ÄNDERUNG EINES GARPROGRAMMS:** Detaillierte Informationen zur Programmierung finden Sie in Teil E dieses Abschnitts, *Programmieren eigener Garprogramme*. Drücken Sie aber in den Schritten 3 und 8 statt der Taste  die Taste . Die neu eingestellte(n) Garzeit und Solltemperaturen ändern das Garprogramm nicht, sondern gelten nur vorübergehend. Zum Aufheben der vorübergehenden Einstellung drücken Sie eine der Garprogramm-Tasten, oder schalten Sie den Ofen aus.
3. **AUSWAHL EINES GARPROGRAMMS:**
- Drücken Sie die Taste  (oder eine andere Garprogramm-Taste). Die Anzeige zeigt nun . Die Ziffer in der Anzeige (im Beispiel "1") gibt an, welches Garprogramm (1-5) ausgewählt wurde.
 - Warten Sie, bis die Kontrollleuchte  aufleuchtet. Diese Kontrollleuchte leuchtet auf, sobald beide Heizzonen des Ofens die Solltemperatur erreicht haben.
 - Beladen Sie das Förderband mit dem Gargut.
4. **BACKEN EINER EINZELNEN PIZZA ODER DER LETZTEN AUS EINER REIHE VON PIZZEN:**
- Drücken Sie eine Garprogramm-Taste, und warten Sie, bis die Kontrollleuchte  aufleuchtet.
 - Drücken Sie die Taste . Nun erscheint in der Anzeige abwechselnd  und . Die Ziffer in der Anzeige (im Beispiel "1") gibt an, welches Garprogramm (1-5) ausgewählt wurde.
 - Beladen Sie das Förderband mit der Pizza.
- WICHTIGER HINWEIS**
Nach Ablauf der halben Garzeit wird die Temperatur der oberen Heizzone automatisch abgesenkt. Nach Ablauf der gesamten Garzeit wird die Temperatur der oberen Heizzone wieder auf den Sollwert eingestellt.
- Nach dem Drücken der Taste  kann das Garprogramm erst wieder nach Ablauf der Garzeit geändert werden.
5. **KONTROLLE DER EINGESTELLTEN SOLLTEMPERATUREN:** Drücken Sie eine der Tasten  oder . Danach wird für fünf Sekunden die Solltemperatur für die obere bzw. die untere Heizzone angezeigt.
6. **KONTROLLE DER REFERENZTEMPERATUREN:** Drücken Sie eine der Tastenkombinationen  oder . Danach wird für fünf Sekunden die Referenztemperatur für die obere bzw. die untere Heizzone angezeigt.
7. **KONTROLLE DER GARZEIT:** Drücken Sie die Taste . Danach wird für fünf Sekunden die Garzeit angezeigt.




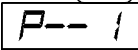
D. NORMALER AUSSCHALTVORGANG






- Schalten Sie den Hauptschalter (I/O) aus (O).
- Warten Sie, bis der Lüfter der Ofens stoppt.
- Schalten Sie den Leistungsschutzschalter bzw. die Sicherungen aus.

E. PROGRAMMIEREN EIGENER GARPROGRAMME

WICHTIGER HINWEIS

Bei der Programmierung eines neuen Programms wird das vorhandene Programm überschrieben. Achten Sie darauf, dass Sie keine Programme überschreiben, die Sie behalten möchten.

1. Schalten Sie den Leistungsschutzschalter oder die Sicherungen ein.
2. Schalten Sie den Hauptschalter (I/O) ein (I).
3. Halten Sie die Taste  gedrückt, bis in der Anzeige die Meldung  erscheint.
4. **AUSWÄHLEN DES ZU ÄNDERNDEN GARPROGRAMMS.** Halten Sie die Taste  (oder eine andere Garprogramm-Taste) gedrückt, bis in der Anzeige die Meldung  erscheint und zu blinken beginnt. Die Ziffer in der Anzeige (im Beispiel "1") gibt an, welches Garprogramm (1-5) ausgewählt wurde.

5. **EINSTELLEN DER SOLLTEMPERATUR DER OBEREN HEIZZONE**
 - a. Drücken Sie die Taste . Nun wird in der Anzeige die aktuelle Einstellung der Solltemperatur für die obere Heizzone angezeigt.
 - b. Stellen Sie mit Hilfe der Tasten  und  die gewünschte Temperatur ein.
 - Durch einmalige Betätigung der Taste  wird die "aktive" (blinkende) Ziffer um eins erhöht. Hat die Ziffer den Wert 9, so wird sie beim erneuten Drücken der Taste wieder auf 0 gesetzt.
 - Durch einmalige Betätigung der Taste  wird die nächste Ziffer rechts aktiviert. Blinkt bereits die Ziffer der Einerstelle, so wird durch erneute Betätigung die Ziffer der Hunderterstelle aktiviert.

WICHTIGER HINWEIS

Der zulässige Temperaturbereich ist 93°C bis 315°C. Wenn Sie eine Temperatur zwischen 0°C und 37°C programmieren, wird die Heizzone deaktiviert. Bei Programmierung eines Wertes zwischen 38°C und 92°C wird die Temperatur automatisch auf 93°C gesetzt. In diesem Fall weisen Sie die blinkende Anzeige und ein Signalton auf die automatische Änderung der Temperatur hin.

6. **EINSTELLEN DER SOLLTEMPERATUR DER UNTEREN HEIZZONE**
 - a. Drücken Sie die Taste . Nun wird in der Anzeige die aktuelle Einstellung der Solltemperatur für die untere Heizzone angezeigt.
 - b. Stellen Sie mit Hilfe der Tasten  und  die gewünschte Temperatur ein.







WICHTIGER HINWEIS

Sofern Sie nicht spezielle Vorgaben für Garzeit und Temperaturen haben, sollten die eingestellten Temperaturen für die obere und die untere Garzone maximal 28°C voneinander abweichen. Bei größeren Temperaturunterschieden besteht die Gefahr, dass die heißere Zone die kühlere aufheizt. Dies kann zu unregelmäßigen Garresultaten führen.

7. **EINSTELLEN DER GARZEIT**
 - a. Drücken Sie die Taste . Nun wird in der Anzeige die aktuelle Garzeit (Minuten : Sekunden) angezeigt.
 - b. Stellen Sie mit Hilfe der Tasten  und  die gewünschte Garzeit ein.

WICHTIGER HINWEIS

Die Garzeit muss in einem Bereich von 00:30 bis 15:00 liegen. Wenn Sie eine kürzere (längere) Garzeit programmieren, wird automatisch der zulässige Mindestwert (Höchstwert) eingestellt. In diesem Fall weisen Sie die blinkende Anzeige und ein Signalton auf die automatische Änderung der Garzeit hin.

8. Drücken Sie EINE der folgenden Tasten:
 - ,  oder  : Erneute Programmierung der Solltemperatur für die obere oder die untere Heizzone oder der Garzeit.
 -  : Deaktivieren des Programmiermodus. Der Ofen kehrt in den normalen Betriebsmodus zurück.
 - Jede andere Taste außer  oder  : Wiederaufnahme des Betriebs bei weiterhin aktiviertem Programmiermodus. Nun können Sie weitere Garprogramme programmieren.

F. EMPFEHLUNGEN FÜR GARZEITEN UND TEMPERATUREN

WICHTIGER HINWEIS

Bei den angegebenen Garzeiten und Temperaturen handelt es sich um unverbindliche Empfehlungen. Sie sollten zunächst jedes Gericht testen, um die richtigen Garzeit- und Temperatur-Einstellungen zu ermitteln.

GERICHT	SOLLTEMPERATUR		GARZEIT
	oben	unten	
Bagels	204°C	216°C	5:00
Brötchen	121°C	168°C	6:45
Brotsticks (aufbacken)	218°C	246°C	4:30
Käsesticks (gefroren)	238°C	229°C	6:00
Chicken Nuggets (gefroren)	238°C	229°C	6:00
Cookies	191°C	191°C	9:00
Knoblauchbrot (aufbacken)	218°C	246°C	2:30
Hamburger (gefroren)	282°C	282°C	5:00
Jalapeno Poppers	238°C	204°C	6:45
Pizza (frisch), 30 cm Durchmesser	191°C	249°C	6:30
Pizza-Stück (aufbacken)	218°C	260°C	2:15
Pizza (gefroren, bereits seit mindestens 12 Stunden im Gefrierschrank), 15 bis 20 cm Durchmesser	193°C	221°C	6:30
Pizza, gleichmäßige Kruste	243°C	274°C	6:30
Brezeln (vorgebacken)	263°C	282°C	0:45
Sandwiches, offen	288°C	288°C	0:50

G. EINSTELLEN DER ABSCHLUSSBLECHE

Für manche Gerichte müssen die Abschlussbleche möglicherweise neu eingestellt werden, damit diese durch die Ein- und Auslassöffnung passen. Diese Abschlussbleche reduzieren das Eindringen von Zugluft in den Ofen sowie die Abgabe von Hitze an die Umgebung. Wird die maximal mögliche Höhe der Öffnungen benötigt, so können die Abschlussbleche auch ganz entfernt werden.



WARNUNG

SCHALTEN SIE VOR DEM EINSTELLEN DER ABSCHLUSSBLECHE DEN HAUPTSCHALTER (I/O) AUS (O).



VORSICHT – HEIß

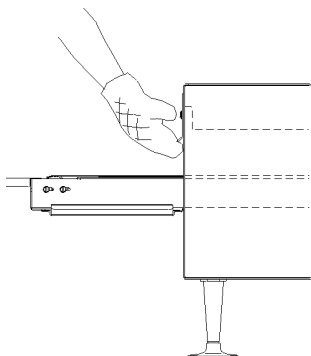
VORSICHTSMAßNAHMEN BEIM EINSTELLEN DER ABSCHLUSSBLECHE:

- **LEGEN SIE EINEN DICKEN HITZESCHUTZHANDSCHUHAN..**
- **GREIFEN SIE NICHT IN DIE GARKAMMER DES OFENS** (siehe Abbildung 5).

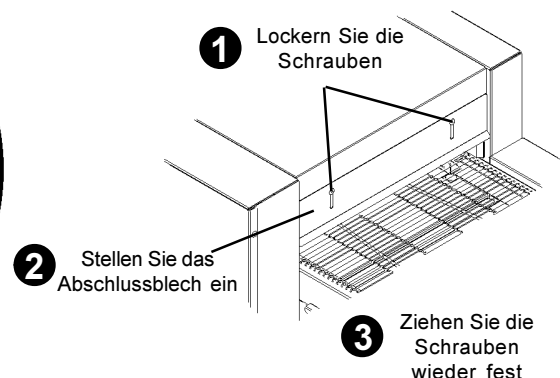
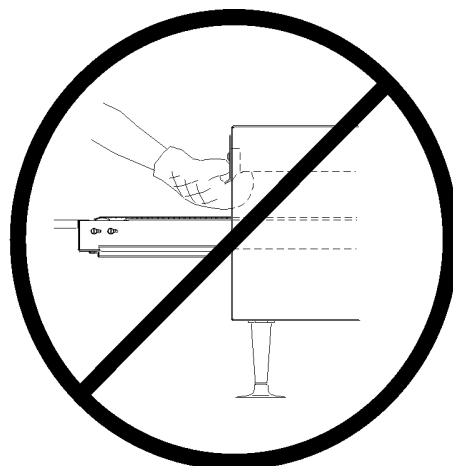
1. Einstellen der Abschlussbleche:
 - a. Lockern Sie die beiden Schrauben des Abschlussblechs (siehe Abbildung 5).
 - b. Schieben Sie das Abschlussblech in die gewünschte Position.
 - c. Ziehen Sie dann die Schrauben des Abschlussblechs wieder fest.
 - d. Wiederholen Sie diese Schritte mit dem zweiten Abschlussblech am entgegen-gesetzten Ende des Ofens.
2. Entfernen der Abschlussbleche:
 - a. Entfernen Sie die beiden Schrauben des Abschlussblechs.
 - b. Entfernen Sie das Abschlussblech.
 - c. Wiederholen Sie diese Schritte mit dem zweiten Abschlussblech am entgegen gesetzten Ende des Ofens.

Abbildung 5
Einstellen der Abschlussbleche

Richtig: Bleiben Sie mit den Händen außerhalb der Garkammer



Falsch: Greifen Sie nicht in die Garkammer



H. Tägliche Reinigung



WARNUNG

VORSICHTSMAßNAHMEN BEIM REINIGEN DES OFENS:

- DER OFEN DARF NICHT ABGESPRITZT WERDEN.
- DIE MIT NAHRUNGSMITTELN IN KONTAKT KOMMENDEN TEILE DES OFENS DÜRFEN NUR MIT WASSER UND SEIFE GEREINIGT WERDEN. DAZU GEHÖREN INSBESONDERE DAS FÖRDERBAND UND DIE ENDBLECHE.
- ACHTEN SIE BEI DER REINIGUNG DES OFENS DARAUF, DASS SIE NICHT SO VIEL FLÜSSIGKEIT VERWENDEN, DASS DIESE AUF DEM OFEN VERBLEIBT. FLÜSSIGKEIT IM INNEREN DES OFENS KANN ZU SCHWERWIEGENDEN ELEKTRISCHEN UNFÄLLEN UND/ODER ZU EINER BESCHÄDIGUNG DES OFENS FÜHREN.

VORSICHT

Verwenden Sie zur Reinigung des Ofens unter keinen Umständen aggressive Reinigungsmittel oder Scheuerschwämme, da diese die Oberfläche verkratzen und stumpf machen.

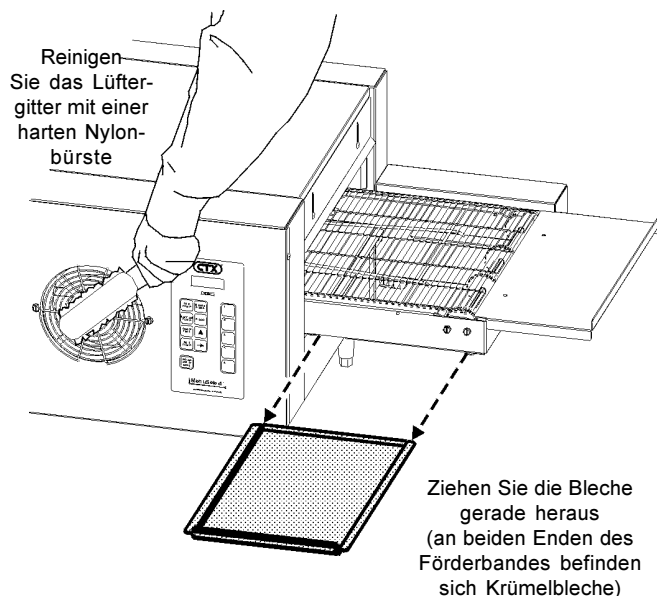
1. Kehren Sie bei laufendem Förderband mit einer Bürste alle Krümel vom Förderband auf die Krümelbleche.
2. Schalten Sie den Hauptschalter (I/O) aus (O), und warten Sie, bis der Lüfter stoppt.
3. Schalten Sie den Leistungsschutzschalter bzw. die Sicherungen aus.
4. Lassen Sie den Ofen abkühlen.



VORSICHT - HEIß

BERÜHREN SIE KEINE HEIßEN FLÄCHEN DES OFENS, UND GREIFEN SIE NICHT IN DIE GARKAMMER DES OFENS, BEVOR DER OFEN VÖLLIG ABGEKÜHLT IST.

Abbildung 6
Seitliche Krümelbleche und Lüftergitter



5. Reinigen Sie das Lüftergitter an der Vorderseite des Ofens gründlich mit einer harten Nylonbürste (siehe Abbildung 6).
6. Reinigen Sie die Endbleche nur mit Wasser und Seife. Trocken Sie diese anschließend ab. Bei Bedarf können Sie die Endbleche für die Reinigung abmontieren. Lösen Sie dafür die diese haltenden Schrauben (siehe Abbildung 2 im Abschnitt Installation dieses Handbuchs).

WICHTIGER HINWEIS

Wenn Sie die Endbleche zum Reinigen abgenommen haben, müssen Sie diese vor Wiederinbetriebnahme des Ofens wieder anbringen.

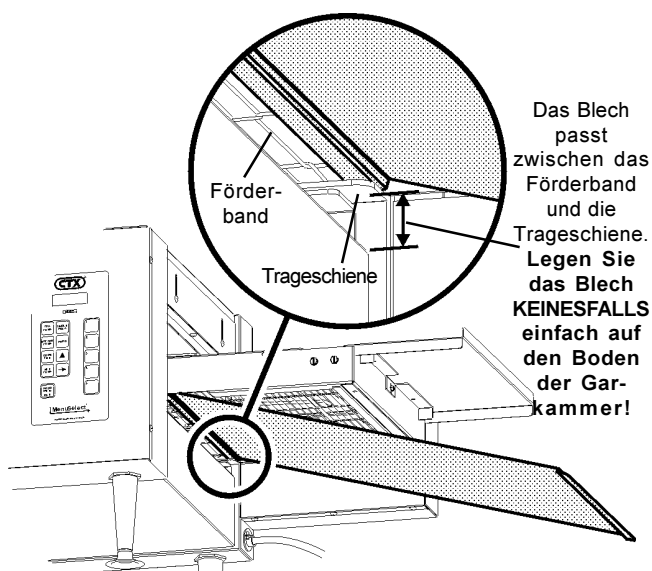
7. Schieben Sie die Krümelbleche unter den beiden Förderbandenden heraus (siehe Abbildung 6).
8. Heben Sie BEIDE Enden des zentralen Krümelblechs an, und schieben Sie es an einem Ende aus dem Ofen.
9. Reinigen Sie alle Krümelbleche mit einem gewerblichen Ofenreiniger. Trocken Sie sie ggf. ab.
10. Setzen Sie das zentrale Krümelblech wie in Abbildung 7 dargestellt wieder in den Ofen ein.

WICHTIGER HINWEIS

Für den ordnungsgemäßen Betrieb des Ofens muss das zentrale Krümelblech unbedingt korrekt eingesetzt werden. Achten Sie darauf, dass Sie das Krümelblech wie in Abbildung 7 dargestellt in den Förderbandrahmen einsetzen und nicht einfach auf den Boden der Garkammer legen.

11. Setzen Sie die beiden Krümelbleche an den Förderbandenden wieder ein.
12. Reinigen Sie das Außengehäuse des Ofens mit einem befeuchteten Tuch (Wasser und Seife ODER Edelstahlreiniger). Achten Sie sorgfältig (insbesondere bei der Reinigung des Lüftergitters) darauf, dass bei der Reinigung keine Flüssigkeit in das Innere des Ofens gelangt.

Abbildung 7
Wiedereinsetzen des zentralen Krümelblechs



I. MELDUNGEN UND FEHLERCODES

ANZEIGE

PROBLEM

VORGEHENSWEISE

Blinkende Temperaturen oder Garzeiten bei der Programmierung, der Ofen gibt Signaltöne aus

Eingestellte Temperaturen oder Garzeit außerhalb des zulässigen Bereichs.

Geben Sie das Programm erneut ein. Achten Sie darauf, dass die Solltemperaturen und die Garzeit innerhalb des zulässigen Bereichs liegen. Beachten Sie auch Teil E, *Programmieren eigener Garprogramme*, dieses Abschnitts.

OFF

Heizelement ausgeschaltet.

Soll das Element eingeschaltet sein, so geben Sie das Programm erneut ein. Achten Sie darauf, dass die Solltemperaturen innerhalb des zulässigen Bereichs liegen. Beachten Sie auch Teil E, Programmieren eigener Garprogramme, dieses Abschnitts.

Kein Garprogramm ausgewählt

Wählen oder programmieren Sie ein Garprogramm.

E-00

Garprogramm verloren gegangen

Geben Sie das Garprogramm neu ein.

E-01


Hohe Umgebungstemperatur
Die Temperatur innerhalb des Gehäuses der Steuerung liegt über 65°C. Der Ofen schaltet sich ab und gibt laufend Signaltöne aus.

Überprüfen Sie, ob der Lüfter (an der Vorderseite des Ofens) nicht verschmutzt ist und ob er ordnungsgemäß funktioniert. Sollte der Lüfter nach dem Aufheizen des Ofens nicht anlaufen, oder sollte der Ofen weiterhin eine hohe Umgebungstemperatur melden, so wenden Sie sich an Ihre Vertragswerkstatt.

E-02

Durchgegangenes Förderband

Das Förderband läuft mit Maximalgeschwindigkeit. Der Ofen schaltet sich ab und gibt laufend Signaltöne aus.

Drücken Sie die Taste , um die Geschwindigkeitseinstellung zu überprüfen. Stimmt die Einstellung der Förderbandgeschwindigkeit, und läuft das Förderband weiterhin mit maximaler Geschwindigkeit, so wenden Sie sich an Ihre Vertragswerkstatt.

E-04

Förderband locker oder verklemmt

Das Förderband stoppt, obwohl eine Garzeit zwischen 00:15 und 15:00 eingestellt ist.

Schalten Sie den Hauptschalter (I/O) aus (O). Schalten Sie den Leistungsschalter/die Sicherung aus (O). Lassen Sie den Ofen mindestens 30 Minuten lang abkühlen.



VORSICHT - HEIß

VERSUCHEN SIE UNTER KEINEN UMSTÄNDEN, EINE VERKLEMMUNG DES FÖRDERBANDES ZU BEHEBEN, SOLANGE DIE GARKAMMER NOCH WARM IST. SIE KÖNNTEN SCHWERE VERLETZUNGEN ERLEIDEN.

Ist das Förderband verklemmt, so beseitigen Sie die Ursache der Verklemmung. Läuft das Förderband auch nach Beseitigung der Verklemmung nicht richtig, oder erscheint die Fehlermeldung bei einem nicht verklemmten Förderband, so wenden Sie sich an Ihre Vertragswerkstatt.

E-35

Ausfall der oberen Heizzone

Wenden Sie sich an Ihre Vertragswerkstatt:

E-36

Ausfall der unteren Heizzone

Wenden Sie sich an Ihre Vertragswerkstatt:

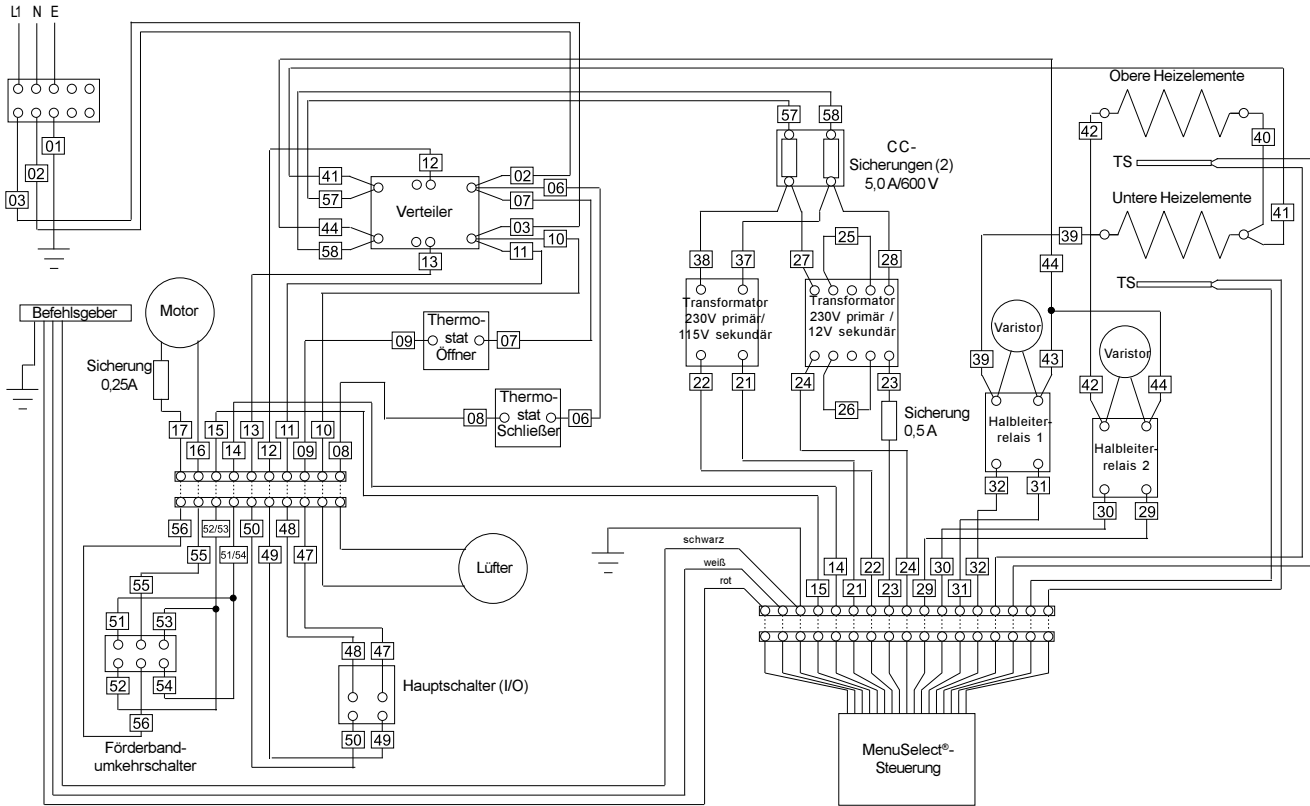
E-40

Temperaturüberschreitung
Eine oder beide Heizzonen haben eine Temperatur über 315°C erreicht.

Wenden Sie sich an Ihre Vertragswerkstatt:

ABSCHNITT 4 - VERKABELUNGS- UND SCHALTPLÄNE

Verkabelungsplan: TCO21140063 (US- und Standard-Export-Version, 208V) und TCO21140066 (US- und Standard-Export-Version, 240V)

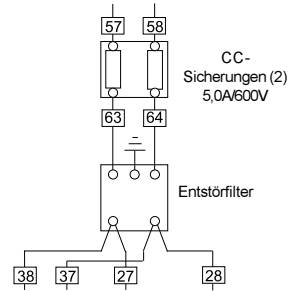
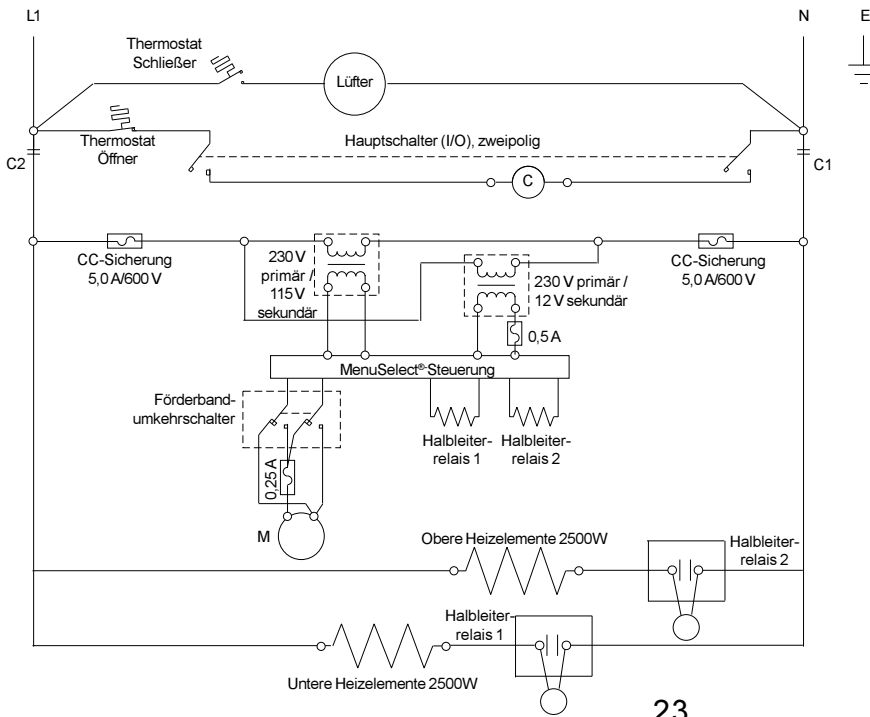


DEUTSCH

Verkabelungsplan: TCO21140035

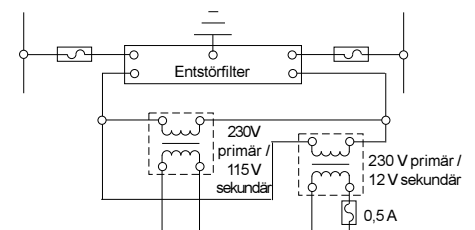
*(Europäische Export-Version, 230V)
Die restlichen Leitungen entsprechen dem Verkabelungsplan für TCO21140063/0066*

Schaltplan: TCO21140063 (US- und Standard-Export-Version, 208V) und TCO21140066 (US- und Standard-Export-Version, 240V)

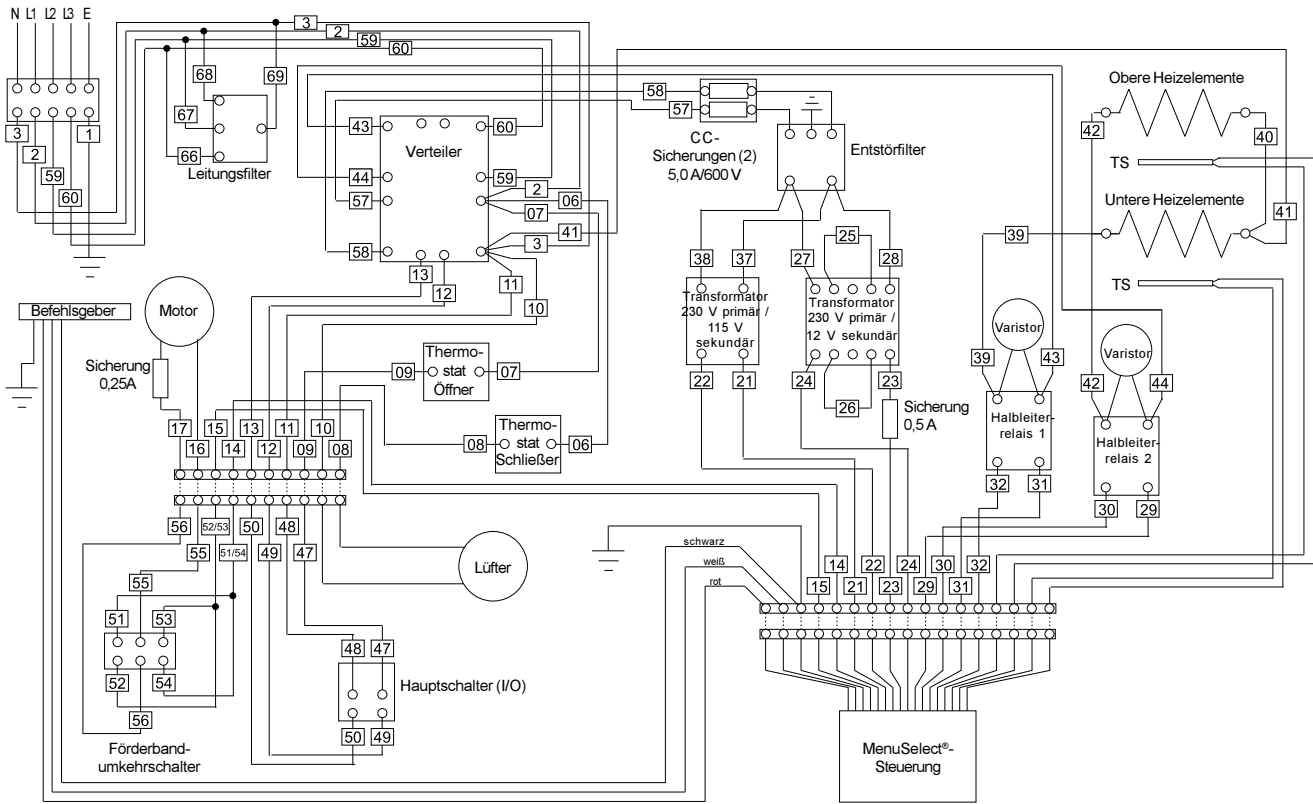


Schaltplan: TCO21140035

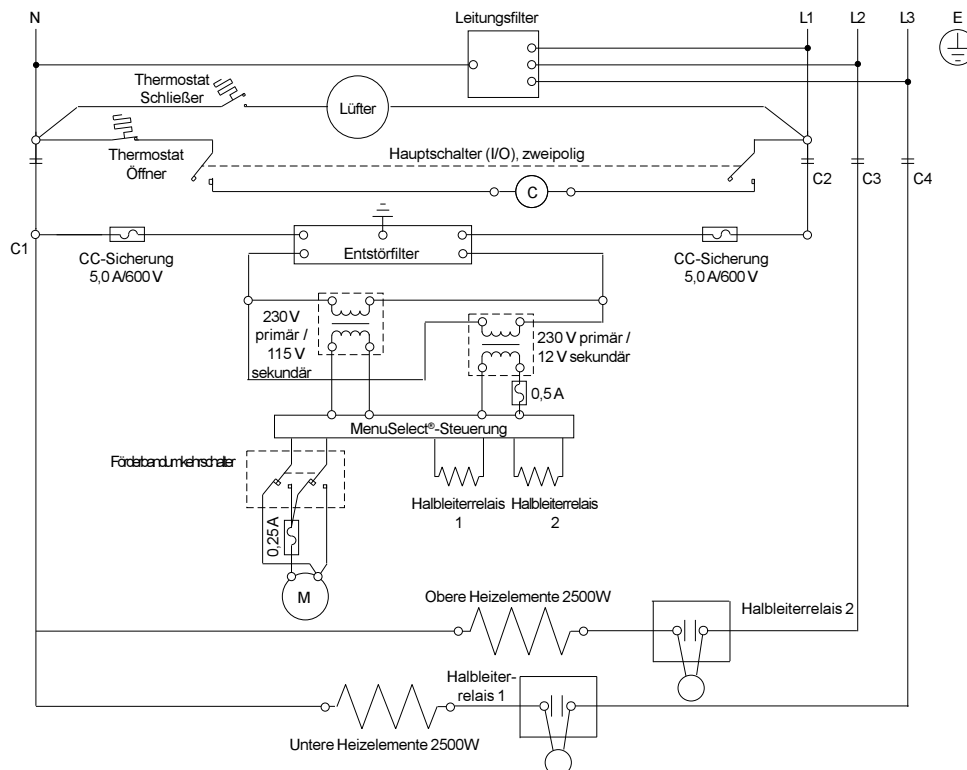
*(Europäische Export-Version, 230 V)
Die restlichen Leitungen entsprechen dem Schaltplan für TCO21140063/0066*



Verkabelungsplan: TCO21140077 (Europäische Export-Version, 380-400V)



Schaltplan: TCO21140077 (Europäische Export-Version, 380-400V)



ist eine eingetragene Marke von CTX, A Middleby Company. Alle Rechte vorbehalten.

CTX • 1400 Toastmaster Drive • Elgin, IL 60120 • USA • Tel.: 1-847-741-3300 • Fax: 1-847-741-4406

Middleby Corp. 24-Stunden-Service-Hotline: 1-800-238-8444

www.middleby.com

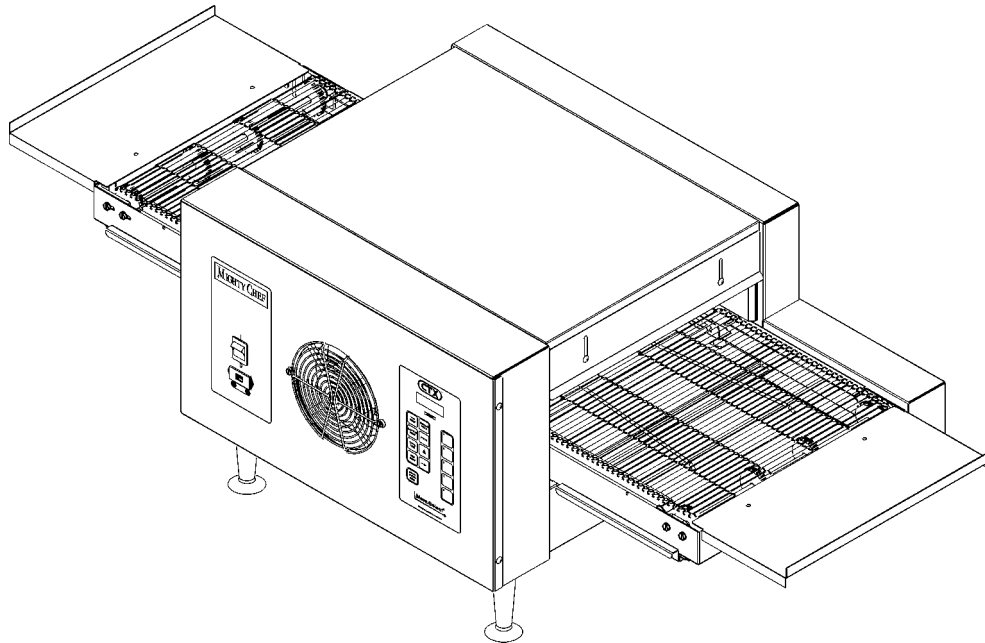
TCO2114

Exportation USA, Std.,
et Europe

Anglais/Allemand
FRANÇAIS/Espagnol



P/N 43336
Rev. B • V1 • 5/00



ENGLISH
page 1

DEUTSCH
seite 13

FRANÇAIS
page 25

ESPAÑOL
página 37

MIGHTY CHEF™ *Four tunnel*

Modèles :


- TCO21140063 (Exportation USA & std., 208 V)
- TCO21140066 (Exportation USA & std., 240 V)
- TCO21140035 (Exportation Europe, 230 V)
- TCO21140077 (Exportation Europe, 380-400 V)

Combinaisons :

- Four unique
- Double four (superposition de deux éléments)
- Triple four (superposition de trois éléments)

MANUEL D'INSTALLATION ET DE FONCTIONNEMENT

© 2000 CTX, une société Middleby

 est une marque déposée par Middleby Marshall, Inc. Tous droits réservés.
Middleby Cooking Systems Group • 1400 Toastmaster Drive • Elgin, IL 60120 • (847)741-3300 • FAX (847)741-4406



AVERTISSEMENT : EN CAS D'INCENDIE

Débranchez IMMÉDIATEMENT le four de sa source électrique. La mise hors service des éléments de chauffage électrique permet un refroidissement de l'unité, et par conséquent une maîtrise plus aisée du feu.

AVERTISSEMENT : POUR VOTRE SÉCURITÉ
NE STOCKEZ PAS ET N'UTILISEZ PAS D'ESSENCE OU AUTRES PRODUITS INFLAMMABLES À PROXIMITÉ DE CET APPAREIL OU DE TOUT AUTRE ÉQUIPEMENT.

AVERTISSEMENT
UNE INSTALLATION, UN RÉGLAGE, UNE MODIFICATION, UN ENTRETIEN OU UNE MAINTENANCE INAPPROPRIÉS PEUVENT ENTRAÎNER DES DÉGÂTS MATÉRIELS, DES BLESSURES CORPORELLES GRAVES, VOIRE MORTELLES. LISEZ ATTENTIVEMENT LES INSTRUCTIONS D'INSTALLATION ET DE FONCTIONNEMENT AVANT DE METTRE EN SERVICE OU D'ENTREtenir CET ÉQUIPEMENT.

AVERTISSEMENT
DÉBRANCHEZ LE FOUR DE SA SOURCE D'ALIMENTATION ÉLECTRIQUE AVANT UN NETTOYAGE OU UNE RÉPARATION.

ATTENTION

L'utilisation de pièces autres que les pièces CTX d'origine décharge le fabricant de toute responsabilité.

IMPORTANT

Contactez votre réparateur agréé pour effectuer la maintenance et les réparations. Une liste de sociétés de réparation est fournie avec votre équipement.

IMPORTANT

CTX (fabricant) se réserve le droit de modifier les spécifications et la conception du produit sans préavis. Ces révisions n'impliquent pas, pour l'acheteur, l'obtention de modifications, améliorations, ajouts ou remplacements correspondants en ce qui concerne l'équipement acheté préalablement.

CONSERVEZ CE MANUEL POUR LES RÉFÉRENCES FUTURES

Ce manuel fournit des informations détaillées relatives à l'installation et au fonctionnement de votre four tunnel. Il contient également des informations permettant d'aider l'opérateur à diagnostiquer les problèmes en cas de défaut de fonctionnement. Ce manuel est un outil important qu'il convient d'avoir sous la main.

SOMMAIRE**SECTION 1
DESCRIPTION 27**

- A. Caractéristiques 27
- B. Emplacement et fonction des composants 27
- C. Spécifications électriques 27

**SECTION 2
INSTALLATION 28**

- A. Options d'installation et disponibilité du kit 28
- B. Assemblage 28
- C. Connexions électriques 28

**SECTION 3
FONCTIONNEMENT 29**

- A. Emplacement et fonction des commandes 29
- B. Procédure de mise en service quotidienne 29
- C. Fonctionnement 30
- D. Procédure d'arrêt 30
- E. Programmation des sélections par menus prédéfinis 31
- F. Temps de cuisson et température 32
- G. Positionnement des rideaux 32
- H. Nettoyage quotidien 33
- I. Affichage des messages et codes d'erreur 34

**SECTION 4
DIAGRAMMES DE CÂBLAGE 35**

- A. Diagramme de câblage et schéma : TCO21140063 (Exportation USA & Std., 208 V) et TCO21140066 (Exportation USA & Std., 240 V) 35
- B. Diagramme de câblage et schéma : TCO21140035 (Exportation Europe, 230 V) 35
- C. Diagramme de câblage et schéma : TCO21140077 (Exportation Europe, 380-400 V) 36

© 2000 CTX, une société Middleby



est une marque déposée par CTX, une société Middleby. Tous droits réservés.

CTX • 1400 Toastmaster Drive • Elgin, IL 60120 • USA • (847)741-3300 • FAX (847)741-4406
Middleby Corp Assistance téléphonique 24 heures sur 24 1-800-238-8444

www.middleby.com

SECTION 1 - DESCRIPTION

A. CARACTÉRISTIQUES

Le four tunnel modèle TCO2114 Mighty Chef™ est conçu pour cuisiner, cuire et griller rapidement et facilement une variété de produits alimentaires avec une qualité et des résultats parfaits. Le four est idéal pour la préparation de pizzas, pains grillés à l'ail, cookies, sandwiches et autres produits alimentaires.

Les caractéristiques du Mighty Chef comprennent :

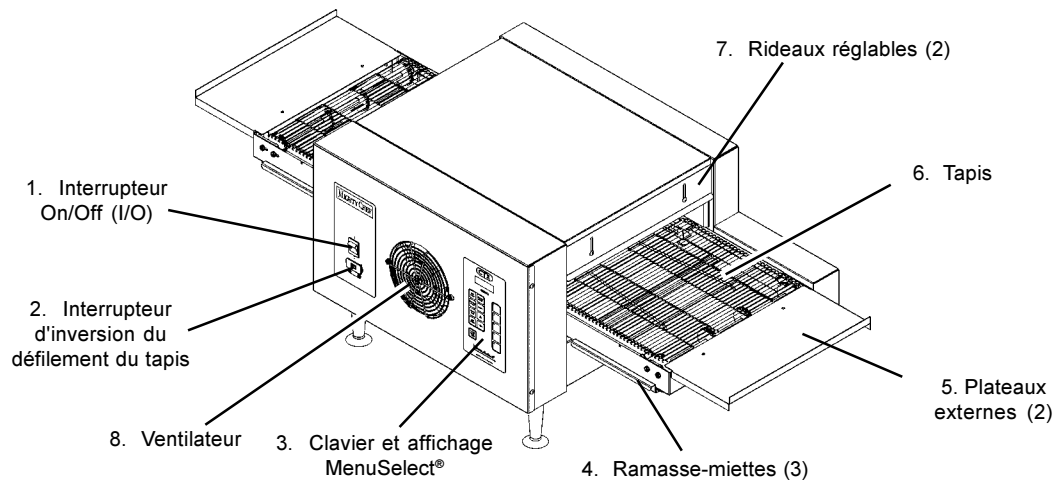
- Un contrôleur électronique, programmable qui permet jusqu'à 5 sélections par menus prédéfinis
- Des parois extérieures froides pour une sécurité accrue
- Une bande transporteuse de 356 mm de largeur qui peut être facilement installée pour fonctionner dans l'une ou l'autre direction
- Des rideaux flexibles réglables qui réduisent les tirages dans le four et empêchent la perte de chaleur dans l'environnement
- Une construction en acier inoxydable soudé et renforcé
- Une installation de comptoir rapide - aucun composant supplémentaire n'est requis

B. EMPLACEMENT ET FONCTION DES COMPOSANTS

Voir la figure 1 pour l'emplacement de ces composants.

- 1-3. Commandes du four - voir section 3, **Fonctionnement**.
4. Ramasse-miettes (3 au total) - Récupère les miettes qui passent sur le tapis. Un ramasse-miettes central est situé en dessous du centre du tapis. Un ramasse-miettes externe est situé en dessous de CHAQUE extrémité du tapis.
5. Plateaux externes - Fournissent un espace supplémentaire de chargement/de sortie aux extrémités du tapis.
6. Tapis - Transporte le produit à travers le four, entre les éléments chauffants supérieur et inférieur.
7. Rideaux flexibles réglables (2 au total) - Réduisent les tirages dans le four et empêchent la perte de chaleur dans l'environnement.
8. Ventilateur - Refroidit les composants internes du four.

Figure 1 - Emplacement des composants



C. SPÉCIFICATIONS ÉLECTRIQUES

	TCO21140063	TCO21140066	TCO21140035	TCO21140077
Tension de fonctionnement	208 V	240 V	230 V	380-400 V
Fréquence	50/60 Hz	50/60 Hz	50 Hz	50 Hz
Phase	1 Ph	1 Ph	1 Ph	3 Ph
Calibre kW	5,0 kW	5,3 kW	5,0 kW	5,0 kW
Appel de courant	24,0 A (total)	22 A (total)	21,1 A (total)	
L1	S/O	S/O	S/O	0,3 A
L2	S/O	S/O	S/O	10,5 A
L3	S/O	S/O	S/O	10,3 A
N	S/O	S/O	S/O	10,3 A
Cordon/prise	Cordon prise NEMA 6-30P	Cordon prise NEMA 6-30P	Cordon type Kabelmetal HO7RN-F avec conducteurs 3 x 4,0 mm et prise moulée IEC 309 Prise : 230 V AC, 32 A	S/O

SECTION 2 - INSTALLATION

IMPORTANT

IL EST DE LA RESPONSABILITÉ DU CLIENT DE SIGNALER À LA SOCIÉTÉ DE TRANSPORT TOUT DOMMAGE APPARENT OU NON APPARENT.

A. OPTIONS D'INSTALLATION & DISPONIBILITÉ DU KIT

Si l'installation requiert la superposition de deux ou trois fours, vous devez utiliser le kit de superposition vendu séparément (P/N T2114STACK). Un kit est nécessaire pour une superposition de deux éléments, tandis que deux kits sont nécessaires pour la superposition de trois éléments. **La superposition de plus de trois fours n'est pas autorisée.**

Lorsque les instructions du kit diffèrent de celles énoncées ci-dessous, suivez les instructions fournies avec le kit.

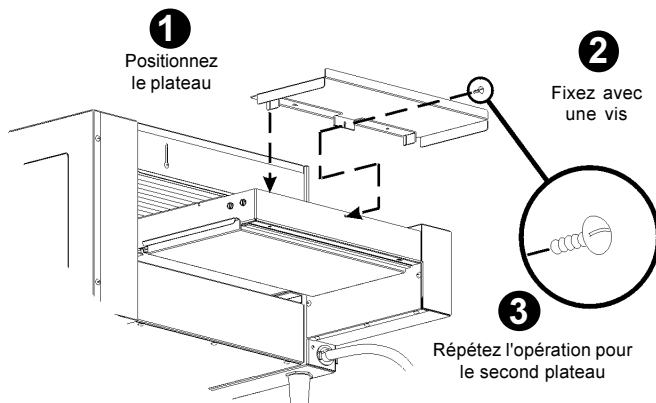
B. ASSEMBLAGE

1. *Installation des pieds*
 - a. Inclinez le four sur la face arrière avec précaution. Il convient de toujours diriger la face avant (contrôleur) vers le haut.
 - b. Insérez les quatre pieds dans les trous situés sous le four. Serrez-les jusqu'à fixation complète.
2. *Installation des plateaux externes*
 - a. Encastrez l'un des plateaux externes sur la plaque à l'extrémité du cadre du tapis, comme le montre la figure 2.
 - b. Fixez le plateau externe avec l'une des vis 8-32x3/8" fournies, comme le montre la figure 2.
 - c. Répétez les étapes précédentes pour installer le second plateau externe à l'extrémité opposée du cadre du tapis.

ATTENTION

LES PIEDS ET LES PLATEAUX EXTERNES FOURNIS DOIVENT ÊTRE FIXÉS AVANT LA MISE EN SERVICE DU FOUR.

Figure 2 - Installation des plateaux externes



C. CONNEXIONS ÉLECTRIQUES

IMPORTANT

- Les diagrammes de câblage du four sont fournis aux pages 9-10 de ce manuel.
- La connexion électrique au four requiert un disjoncteur sectionneur. Consultez les exigences des réglementations nationales et locales applicables pour la détermination du calibre du disjoncteur/sectionneur. Les spécifications électriques sont énoncées sur la plaque de série du four et dans le tableau des Spécifications électriques (section 1 de ce manuel).

- Le cordon et la prise du grilloir fournissent une connexion de masse. Une connexion de masse équipotentielle séparée doit également exister si les réglementations nationales ou locales le requièrent.
 - Consultez toutes les réglementations nationales et locales applicables pour les exigences en matière de connexions électriques supplémentaires.
1. Avant d'entreprendre les connexions, vérifiez si l'alimentation électrique est adaptée au four. Consultez la plaque de série et le tableau des Spécifications électriques (section 1 de ce manuel).



AVERTISSEMENT

AVANT DE CONTINUER, ASSUREZ-VOUS QUE LE DISJONCTEUR/SECTIONNEUR ET L'INTERRUPTEUR ON/OFF (I/O) SONT POSITIONNÉS SUR « O » (OFF).

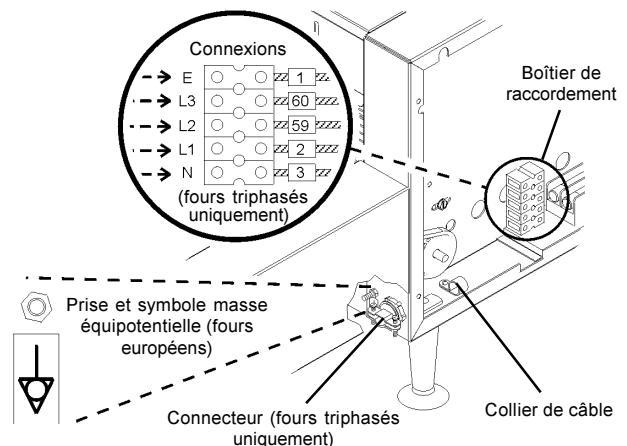


AVERTISSEMENT

ASSUREZ-VOUS QU'IL N'Y A PLUS AUCUN RESTE D'EMBALLAGE À L'INTÉRIEUR DE LA CHAMBRE DE CUISSON DU FOUR.

2. *Fours Mighty Chef monophasés uniquement* :
 - Vérifiez si la prise de courant appropriée est disponible pour le cordon d'alimentation.
 - Insérez le cordon d'alimentation dans la prise.
3. *Fours Mighty Chef triphasés uniquement* :
 - Retirez les deux vis qui maintiennent le panneau arrière puis ôtez ce dernier.
 - Insérez l'extrémité de l'alimentation électrique par le connecteur présenté à la figure 3.
 - Fixez les câbles d'alimentation électrique aux raccords, comme le montre la figure 3.
 - Fixez les câbles d'alimentation à la base du compartiment électrique à l'aide du collier de câble fourni. Les câbles ne doivent pas être en contact avec la chaîne et la roue d'entraînement. Voir la figure 3.
 - Fixez le câble d'alimentation, au niveau de son passage à travers le connecteur, sur la paroi externe du four.
 - Remplacez le panneau arrière du four et fixez-le.
4. Si les réglementations nationales ou locales l'exigent, connectez un fil de masse équipotentielle à la prise présentée sur la figure 3. La connexion de masse équipotentielle doit satisfaire toutes les exigences des réglementations nationales et locales applicables.

Figure 3 - Connexions électriques



SECTION 3 - FONCTIONNEMENT

A. EMBLACEMENT ET FONCTIONS DES COMMANDES

Cette section offre un aperçu des commandes du four Mighty Chef, de leur emplacement et de leurs fonctions. L'opérateur DOIT se familiariser avec les commandes. Voir la figure 4.

1. Contrôleur MenuSelect®

Clavier multifonction qui contient les éléments suivants :

- Le dispositif d'affichage présente la sélection par menus prédéfinis en cours, les températures, le temps de cuisson ou les informations d'erreur/d'entretien, selon le mode de fonctionnement.
- Le témoin READY s'allume lorsque les deux zones de chauffage du four ont atteint la température prédéfinie.
- La touche Top Temp affiche/définit la température de la zone supérieure.
- La touche Bottom Temp affiche/définit la température de la zone inférieure.
- La touche Cook Time affiche/définit le temps de cuisson.
- La touche Ref Temp affiche une température de référence pour la zone de chauffage supérieure ou inférieure.
- La touche Sngl Pizza règle la température de la zone de chauffage supérieure pour la cuisson adéquate d'une seule pizza, ou de la dernière pizza d'un groupe.
- La touche Prog permet une nouvelle programmation des cinq sélections par menus prédéfinis.
- La touche Prog Override permet une modification temporaire d'un programme par menus prédéfinis.

- Les touches fléchées sont utilisées pour modifier les réglages de temps de cuisson et de température.
- Les touches de menu prédéfini (1-5) sont utilisées pour modifier ou lancer un menu prédéfini.

2. Interrupteur On/Off (I/O)

Permet d'allumer ON (« I ») et d'éteindre OFF (« O ») le four.

3. Interrupteur d'inversion du défilement du tapis

Inverse la marche du tapis transporteur.

ATTENTION

N'activez pas l'interrupteur d'inversion lorsque le tapis est en mouvement.

B. PROCÉDURE DE MISE EN SERVICE QUOTIDIENNE

- Réglez la position des rideaux flexibles aux extrémités de la chambre de cuisson (si nécessaire). Cette procédure est décrite en détail dans la partie G, Réglage des rideaux, de cette section.

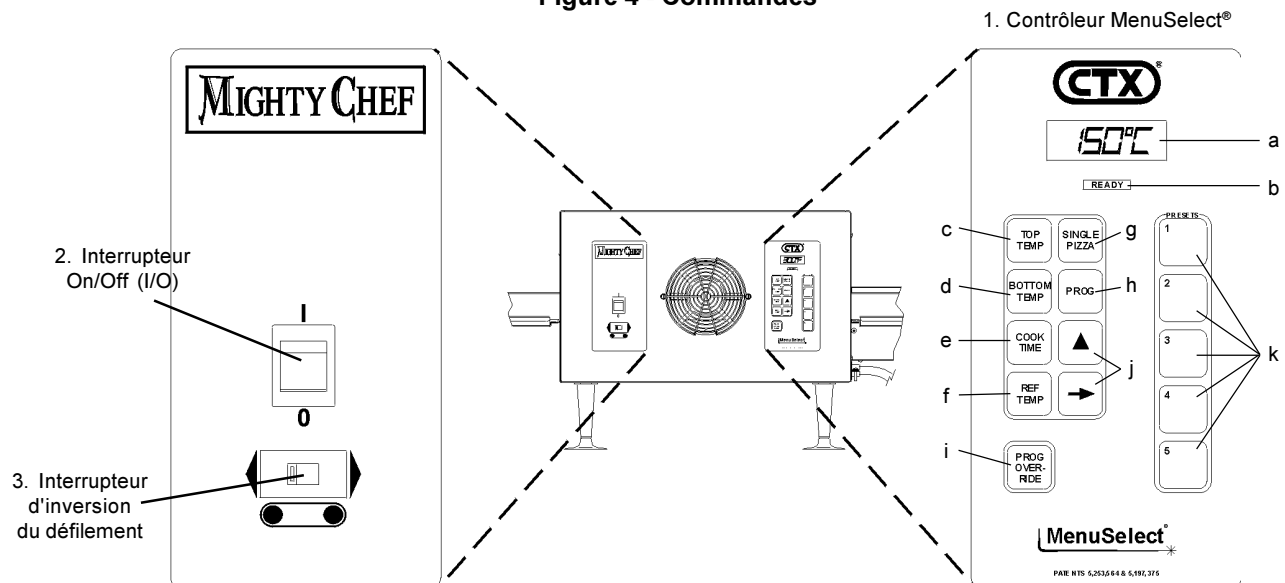
IMPORTANT

Lors d'une cuisson à très haute température (zone de chauffage : 400 °F / 204 °C ou plus), le four doit être préchauffé pendant au moins 10 minutes, LES RIDEAUX COMPLÈTEMENT BAISSÉS et les deux zones de chauffage définies sur une température de 599 °F / 315 °C. Après le préchauffage, les rideaux peuvent être repositionnés.

- Remettez le four sous tension au niveau du disjoncteur/sectionneur.
- Positionnez l'interrupteur On/Off (I/O) sur ON (« I »).

FRANÇAIS

Figure 4 - Commandes





C. FONCTIONNEMENT


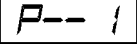

1. PROGRAMMATION D'UNE NOUVELLE SÉLECTION PAR MENUS PRÉDÉFINIS :

Suivez la procédure décrite à la partie E, *Programmation des sélections par menus prédéfinis*, de cette section. Une sélection par menus au moins DOIT être programmée avant la mise en service du four.



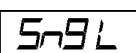
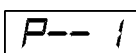
2. REMPLACEMENT TEMPORAIRE D'UNE SÉLECTION PAR MENUS PRÉDÉFINIS :

Suivez la procédure décrite à la partie E, *Programmation des sélections par menus prédéfinis*, MAIS appuyez sur  au lieu de  (étapes 3 et 8). Les nouveaux réglages de température et de temps de cuisson ne sont que temporaires ; la sélection par menus n'est pas remplacée définitivement. Pour annuler la sélection par menus temporaire, appuyez sur une touche quelconque de menu prédéfini ou débranchez le four.

3. CHOIX D'UNE SÉLECTION PAR MENUS PRÉDÉFINIS :


- Appuyez sur  (ou une touche quelconque de menu prédéfini). Le dispositif d'affichage indique . Le numéro affiché (« 1 » dans cet exemple) correspond à la touche sélectionnée (1-5).
- Attendez que le témoin  s'allume. Le témoin s'allume une fois que les deux zones de chauffage ont atteint leur température prédéfinie.
- Placez le produit sur le tapis.

4. CUISSON D'UNE PIZZA OU DE LA DERNIÈRE PIZZA D'UN GROUPE :



- Choisissez une sélection par menus prédéfinis et attendez que le témoin  s'allume.
- Appuyez sur .  et  s'affichent en alternance. Le numéro affiché (« 1 » dans cet exemple) correspond à la sélection par menus en cours (1-5).
- Placez la pizza sur le tapis.

IMPORTANT

Une fois la moitié du temps de cuisson écoulé, la température de la zone supérieure baisse automatiquement. Après écoulement de la totalité du temps de cuisson, le programme se repositionne sur la température normale de la zone supérieure.

Après avoir appuyé sur , il n'est possible de modifier la sélection par menus qu'après écoulement complet du temps de cuisson.


5. AFFICHAGE DES TEMPÉRATURES PRÉDÉFINIES :

Appuyez sur  ou sur . La température prédéfinie de la zone supérieure ou inférieure s'affiche pendant 5 secondes.

6. AFFICHAGE DES TEMPÉRATURES DE RÉFÉRENCE DES ZONES DE CHAUFFAGE :

Appuyez sur  +  ou sur  + . La température de référence de la zone supérieure ou inférieure s'affiche pendant 5 secondes.

7. AFFICHAGE DU TEMPS DE CUISSON :

Appuyez sur . Le temps de cuisson s'affiche pendant 5 secondes.



D. PROCÉDURE D'ARRÊT


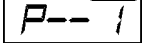
- Positionnez l'interrupteur On/Off (I/O) sur OFF (« 0 »).
- Attendez l'arrêt du ventilateur.
- Débranchez le four au niveau du disjoncteur/sectionneur.





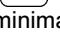
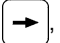
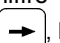
E. PROGRAMMATION DES SÉLECTIONS PAR MENUS PRÉDÉFINIS

IMPORTANT

L'ajout d'un programme de menu supprimera un programme existant. N'EFFECTUEZ PAS une nouvelle programmation de menu sur un programme existant que vous souhaitez conserver !




1. Remettez le four sous tension au niveau du disjoncteur/sectionneur.
2. Positionnez l'interrupteur On/Off (I/O) sur ON (« I »).
3. Appuyez sur la touche  et maintenez-la jusqu'à ce que  apparaisse sur le dispositif d'affichage.

4. **CHOIX D'UNE SÉLECTION PAR MENUS À PROGRAMMER** Appuyez sur la touche  (ou une touche quelconque de menu prédéfini) et maintenez-la jusqu'à ce que  apparaisse et clignote sur le dispositif d'affichage. Le numéro affiché (« 1 » dans cet exemple) correspond à la touche sélectionnée (1-5).

5. **RÉGLAGE DE LA TEMPÉRATURE DE LA ZONE SUPÉRIEURE**
 - a. Appuyez sur . La température en cours de la zone supérieure apparaît.
 - b. Appuyez sur  et sur  pour modifier la température affichée.
 - En appuyant une fois sur , le chiffre « actif » (clignotant) augmente d'une unité. Ce chiffre reprend sa valeur minimale si vous appuyez sur  lorsque le chiffre affiche sa valeur maximale.
 - En appuyant une fois sur , le chiffre suivant de droite devient le chiffre « actif » (clignotant). Si le chiffre le plus à droite clignote lorsque vous appuyez sur , le chiffre le plus à gauche se met à clignoter et devient le chiffre « actif ».




IMPORTANT

La fourchette de températures autorisée est de 200-599 °F (93-315 °C). Si vous programmez une température entre 0 °F (ou 0 °C) et 99 °F (37 °C), l'élément chauffant sera positionné sur OFF. Si vous programmez une température entre 100 °F (38 °C) et 199 °F (92 °C), celle-ci sera automatiquement définie sur 200 °F (93 °C), le dispositif d'affichage clignotera et un signal sonore annoncera la modification de température.

6. **RÉGLAGE DE LA TEMPÉRATURE DE LA ZONE INFÉRIEURE**
 - a. Appuyez sur . La température en cours de la zone inférieure apparaît.
 - b. Appuyez sur  et sur  pour modifier la température affichée.







IMPORTANT

À moins que vous ne suiviez des instructions spécifiques quant au temps et à la température, l'écart entre la température de la zone supérieure et de la zone inférieure ne doit pas excéder 50 °F (28 °C). Dans le cas de différences de températures plus importantes, la zone plus chaude peut réchauffer la zone plus froide. Dans ce cas précis, la cuisson peut ne pas être homogène.

7. **RÉGLAGE DU TEMPS DE CUISSON**
 - a. Appuyez sur . Le temps de cuisson en cours apparaît (minutes : secondes).
 - b. Appuyez sur  et sur  pour modifier le temps affiché.

IMPORTANT

La fourchette de temps de cuisson autorisée est 00:30-15:00. Si vous programmez un temps de cuisson qui se situe en dehors de cette fourchette, celui-ci sera adapté sur le temps autorisé le plus proche (00:30 si le temps choisi est trop court ou 15:00 si le temps choisi est trop long). Le dispositif d'affichage clignote et un signal sonore annonce la modification du temps de cuisson.

8. Appuyez sur L'UNE des touches suivantes :
 - , , ou  : pour entrer de nouveau la température prédéfinie de la zone supérieure, la température prédéfinie de la zone inférieure ou le temps de cuisson.
 -  pour désactiver le mode programmation. Le four repasse en mode de fonctionnement normal.
 - Une touche quelconque à l'exception de  ou  : pour reprendre le fonctionnement, mais le Mode programmation demeure actif. À ce moment, il est possible de programmer d'autres sélections par menus prédéfinis.

F. INSTRUCTIONS RELATIVES AU TEMPS DE CUISSON ET À LA TEMPÉRATURE

IMPORTANT

Les temps de cuisson et les températures présentés ci-dessous sont uniquement des recommandations. Il convient d'essayer systématiquement chaque produit alimentaire afin de déterminer les réglages adéquats de temps et de température.

PRODUCT	TEMPÉRATURE		TEMPS DE CUISSON
	supérieure	inférieure	
Bagel Bites	204,44°C/204°C	215,56°C/216°C	5:00
Biscuits	121,11°C/121°C	168,33°C/168°C	6:45
Pains baguette (à réchauffer)	218,33°C/218°C	246,11°C/246°C	4:30
Bâtonnets de fromage (congelés)	237,78°C/238°C	229,44°C/229°C	6:00
Beignets de poulet (congelés)	237,78°C/238°C	229,44°C/229°C	6:00
Cookies	190,56°C/191°C	190,56°C/191°C	9:00
Pain à l'ail (à réchauffer)	218,33°C/218°C	246,11°C/246°C	2:30
Hamburgers (congelés)	282,22°C/282°C	282,22°C/282°C	5:00
Jalapeno Poppers	237,78°C/238°C	204,44°C/204°C	6:45
Pizza (fraîche), diam. 12" (300 mm).	190,56°C/191°C	248,89°C/249°C	6:30
Pizza (à réchauffer), quartier	218,33°C/218°C	260,00°C/260°C	2:15
Pizza (congelée - placée dans le réfrigérateur 12 heures avant la cuisson), diam. 6-8" (150-200 mm).	193,33°C/193°C	221,11°C/221°C	6:30
Pizza, croûte épaisse	243,33°C/243°C	273,89°C/274°C	6:30
Bretzels (précuites)	262,78°C/263°C	282,22°C/282°C	0:45
Sandwiches, canapé	550 °F/288 °C	550 °F/288 °C	0:50

FRANÇAIS

G. POSITIONNEMENT DES RIDEAUX

Il peut s'avérer nécessaire de repositionner les rideaux afin d'obtenir un espace adéquat pour certains produits alimentaires. Il convient de positionner les rideaux afin d'éviter les tirages dans le four et les pertes de chaleur dans l'environnement.

Il est possible de retirer les rideaux pour bénéficier de la hauteur maximale au-dessus du tapis.



AVERTISSEMENT

AVANT DE RÉGLER LES RIDEAUX, POSITIONNEZ L'INTERRUPTEUR ON/OFF (I/O) SUR OFF (« O »).



ATTENTION - SURFACE CHAUDE

LORS DU REPOSITIONNEMENT DES RIDEAUX :

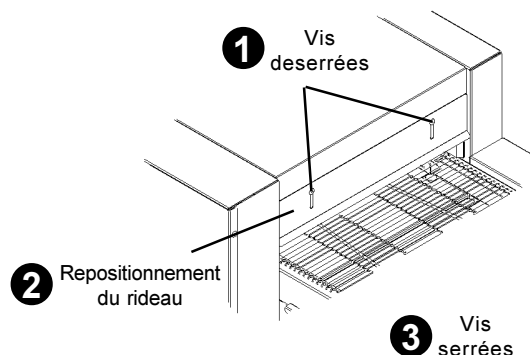
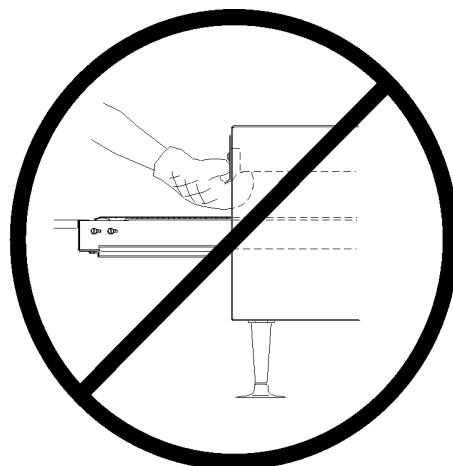
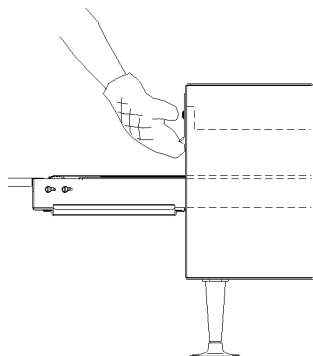
- **PORTEZ UN GANT DE CUISINE RÉSISTANT**
- **N'INTRODUISEZ PAS LA MAIN DANS LA CHAMBRE DE CUISSON !** Voir la figure 5.

1. Repositionnement des rideaux :
 - a. Desserrez les deux vis de fixation qui maintiennent le rideau. Voir la figure 5.
 - b. Faites glisser le rideau jusqu'à obtention de l'espace désiré au-dessus du tapis.
 - c. Serrez les deux vis de fixation qui maintiennent le rideau.
 - d. Répétez ces étapes pour le rideau situé à l'extrémité opposée du four.
2. Retrait des rideaux :
 - a. Retirez les deux vis de fixation qui maintiennent le rideau.
 - b. Ôtez le rideau.
 - c. Répétez ces étapes pour le rideau situé à l'extrémité opposée du four.

Figure 5
Repositionnement des rideaux

GARDEZ les mains en dehors de la chambre de cuisson.

N'INTRODUISEZ PAS les mains à l'intérieur de la chambre de cuisson



H. NETTOYAGE QUOTIDIEN



AVERTISSEMENT

DURANT LE NETTOYAGE DU FOUR :

- N'UTILISEZ JAMAIS D'EAU SOUS PRESSION.
- N'UTILISEZ JAMAIS DE DÉTERGENT AUTRE QUE DU SAVON ET DE L'EAU SUR LES PARTIES DU FOUR EN CONTACT AVEC LA NOURRITURE. CES ZONES COMPRENNENT LA BANDE TRANSPORTEUSE ET LES PLATEAUX EXTERNES.
- NE LAISSEZ JAMAIS DE LIQUIDE STAGNER DANS LE FOUR. UN LIQUIDE À L'INTERIEUR DU FOUR PEUT ENDOMMAGER L'APPAREIL ET ENTRAÎNER UN RISQUE D'ÉLECTROCUTION IMPORTANT.

ATTENTION

NE NETTOYEZ PAS votre four avec des produits de nettoyage ou des tissus abrasifs. Ceux-ci peuvent rayer et ternir la surface.

1. Mettez en marche le tapis et évacuez les miettes sur les ramasse-miettes à l'aide d'une brosse.
2. Positionnez l'interrupteur On/Off (I/O) sur OFF (« O ») et attendez l'arrêt du ventilateur.
3. Débranchez le four au niveau du disjoncteur/sectionneur.
4. Attendez le refroidissement du four.



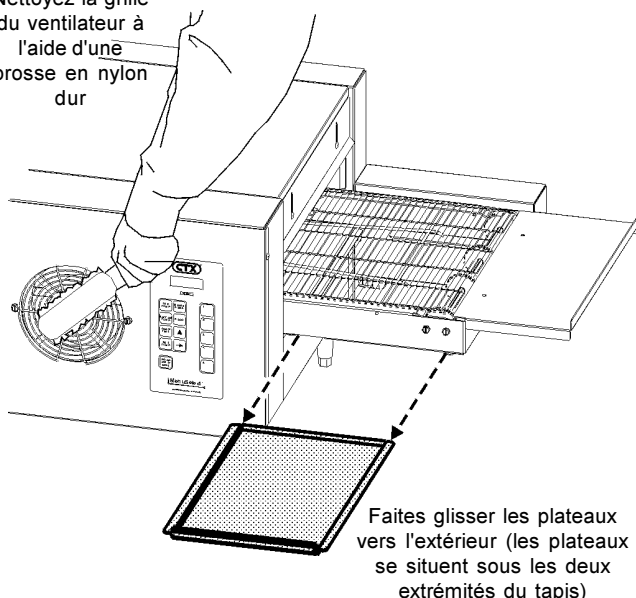
ATTENTION - SURFACE CHAUDE

NE TOUCHEZ PAS LES SURFACES CHAUDES DU FOUR OU LA CHAMBRE DE CUISSON AVANT LE REFROIDISSEMENT COMPLET DE L'UNITÉ.

Figure 6

Ramasse-miettes externes et grille du ventilateur

Nettoyez la grille du ventilateur à l'aide d'une brosse en nylon dur



Faites glisser les plateaux vers l'extérieur (les plateaux se situent sous les deux extrémités du tapis)

5. Nettoyez soigneusement la grille du ventilateur sur la face avant du four à l'aide d'une brosse en nylon dur. Voir la figure 6.
6. Nettoyez les plateaux externes avec DU SAVON ET DE L'EAU UNIQUEMENT, puis essuyez-les soigneusement. Si cela s'avère nécessaire, il est possible de démonter les plateaux externes en retirant leurs vis de fixation. Voir la figure 2 (dans la section Installation de ce manuel).

IMPORTANT

Si les plateaux externes sont démontés pour le nettoyage, ils doivent être replacés avant la mise en service du four.

7. Faites glisser les ramasse-miettes externes situés sous les extrémités d'entrée et de sortie du tapis. Voir la figure 6.
8. Soulevez LES DEUX extrémités du ramasse-miettes central puis glissez-le par l'un des deux côtés du four.
9. Nettoyez les trois ramasse-miettes à l'aide d'un produit nettoyant spécial fours. Essuyez-les si nécessaire.
10. Remplacez le ramasse-miettes central dans le four comme le montre la figure 7.

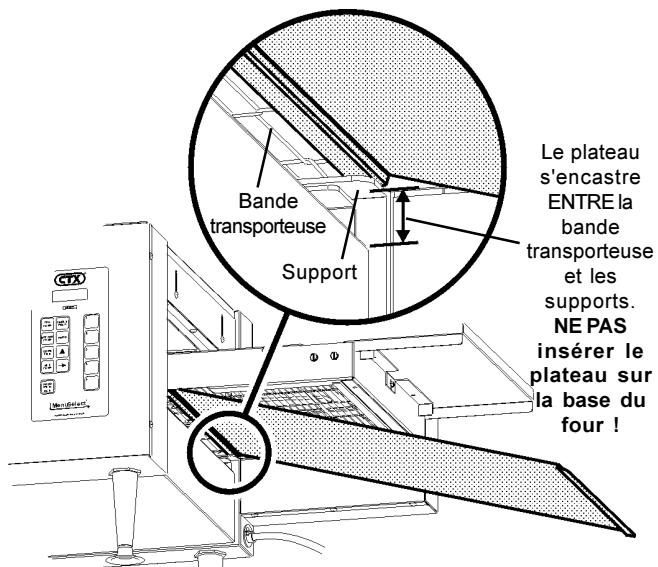
IMPORTANT

Un positionnement correct du ramasse-miettes central est **NÉCESSAIRE** à l'obtention d'une cuisson adéquate. Assurez-vous que le ramasse-miettes est repositionné à l'intérieur du cadre du tapis, comme le montre la figure 7, et **NON** sur la base de la chambre de cuisson !



11. Remplacez les deux ramasse-miettes externes.
12. Nettoyez l'extérieur du four à l'aide d'un chiffon humide imbibé de savon et d'eau OU d'un produit nettoyant pour acier inoxydable. Assurez-vous qu'aucun liquide ne pénètre dans le four durant le nettoyage, notamment lors du nettoyage de la grille du ventilateur.

Figure 7

Positionnement du ramasse-miettes central

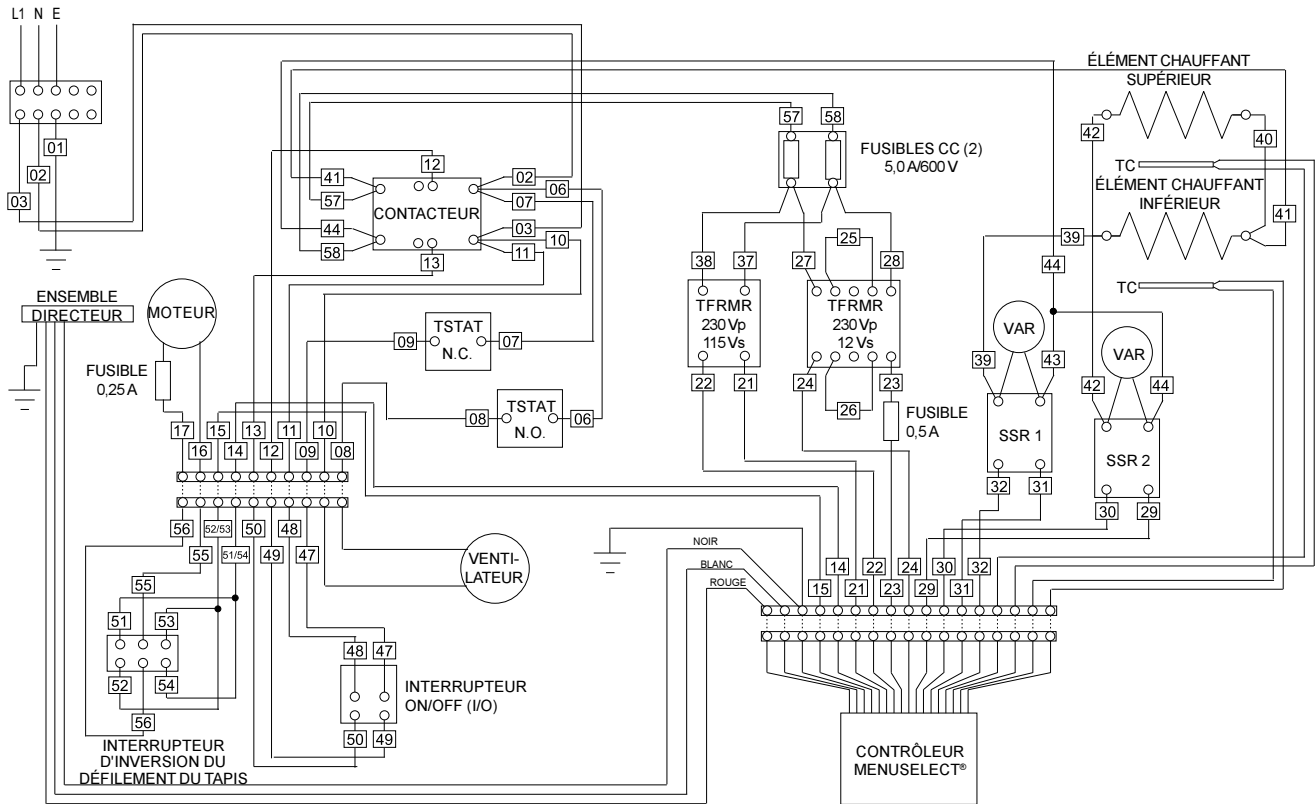


I. AFFICHAGE DE MESSAGES ET DE CODES D'ERREUR

AFFICHAGE	PROBLÈME	ACTION
Les températures ou temps de cuisson clignotent durant la programmation et le four émet un signal sonore	<i>Températures ou temps de cuisson en dehors de la limite autorisée</i>	Effectuez une reprogrammation en utilisant les températures prédéfinies et temps de cuisson situés dans les limites autorisées. Consultez également la partie E, <i>Programmation des sélections par menus prédéfinis</i> , de cette section.
OFF	<i>Élément chauffant éteint</i>	Si l'élément doit être allumé, effectuez une reprogrammation en utilisant les températures prédéfinies comprises dans les limites autorisées. Consultez également la partie E, <i>Programmation des sélections par menus prédéfinis</i> , de cette section.
----	<i>Aucun choix de sélection par menus</i>	Choisissez ou programmez une sélection par menus prédéfinis.
E-00	<i>Perte du programme par menus prédéfinis</i>	Reprogrammez le menu prédéfini.
E-01	<i>Température ambiante élevée</i> La température à l'intérieur du contrôleur est supérieure à 65°C. Le four s'arrête, puis émet un signal sonore en continu.	Vérifiez la propreté et le fonctionnement adéquat du ventilateur (situé au centre de la face avant du four). Si le ventilateur ne fonctionne pas lorsque le four est chaud, ou si la température du four reste élevée, contactez votre réparateur local agréé.
E-02	<i>Emballement du tapis</i> Le tapis défile à pleine vitesse. Le four s'arrête puis émet un signal sonore en continu.	Vérifiez le réglage de la vitesse en appuyant sur  . Si le réglage de la vitesse est correct mais que le tapis continue à défiler à pleine vitesse, contactez votre réparateur local agréé.
E-04	<i>Tapis non tendu ou bloqué</i> Le tapis s'arrête lorsque le réglage de la vitesse se situe entre 0:15 et 15:00.	Positionnez l'interrupteur On/Off (I/O) sur OFF (« O »). Positionnez le disjoncteur/sectionneur sur OFF. Attendez que le four refroidisse pendant au moins 30 minutes.
		 <p>ATTENTION - SURFACE CHAUDE N'ESSAYEZ PAS DE DÉBLOQUER LA BANDE TRANSPORTEUSE LORSQUE LA CHAMBRE DE CUISSON EST CHAUDE. DES BLESSURES GRAVES PEUVENT EN RÉSULTER.</p>
		Si le tapis est bloqué, débloquez-le à partir de la bande transporteuse. Si le tapis ne fonctionne toujours pas correctement, OU si le message d'erreur apparaît lorsque le tapis N'EST PAS bloqué, contactez votre réparateur local agréé.
E-35	<i>Panne de la zone de chauffage supérieure</i>	Contactez votre réparateur local agréé.
E-36	<i>Panne de la zone de chauffage inférieure</i>	Contactez votre réparateur local agréé.
E-40	<i>Limite de température maximale de la zone de chauffage</i> Une zone de chauffage ou les deux zones ont atteint une température supérieure à 315°C.	Contactez votre réparateur local agréé.

SECTION 4 - SCHÉMAS DE CÂBLAGE

Schéma de câblage, TCO21140063 (Exportation USA & Std. 208 V)
et TCO21140066 (Exportation USA & Std. 240 V)



FRANÇAIS

Schéma de câblage,
TCO21140035

(Exportation Europe 230 V)
Suite des correspondances électriques
TCO21140063/0066

Schéma électrique, TCO21140063 (Exportation USA & Std. 208 V)
et TCO21140066 (Exportation USA & Std. 240 V)

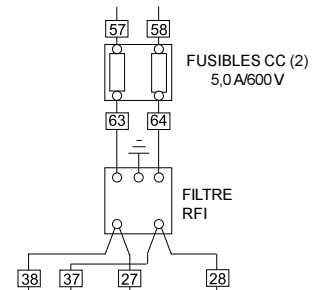
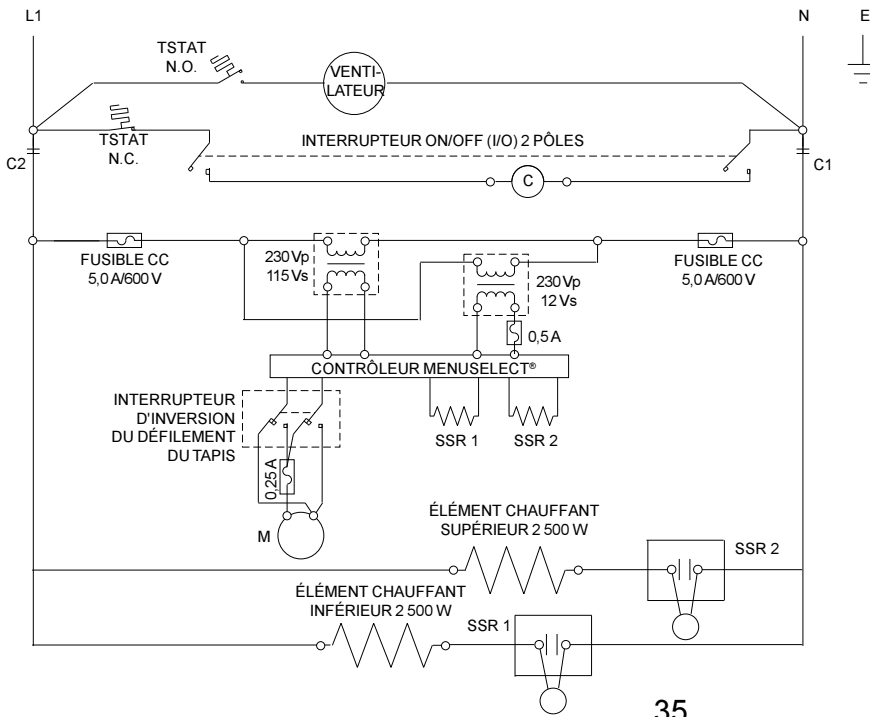


Schéma électrique,
TCO21140035

Schéma électrique, TCO21140035
Suite des correspondances électriques
TCO21140063/0066

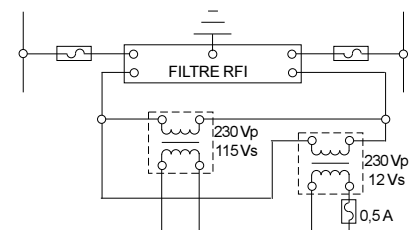


Schéma de câblage, TCO21140077 (Exportation Europe 380-400 V)

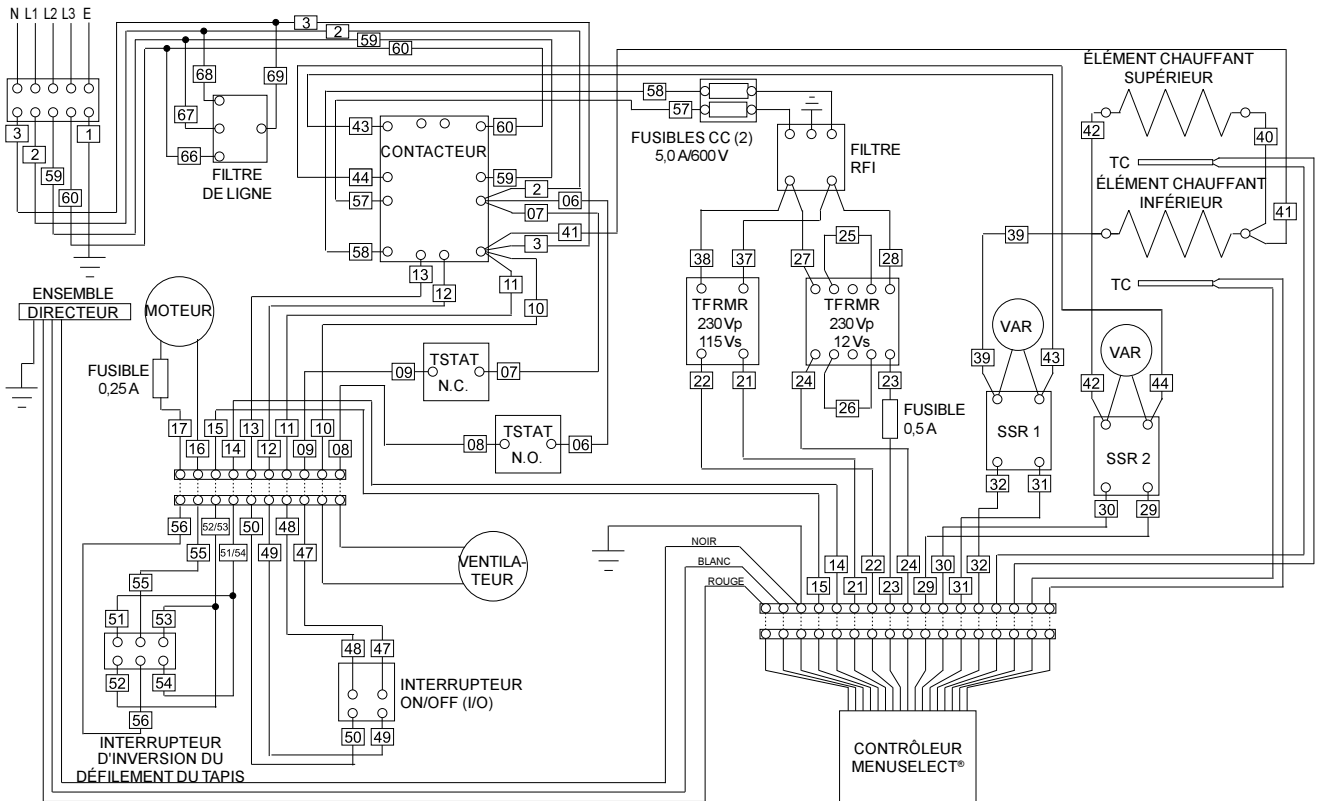
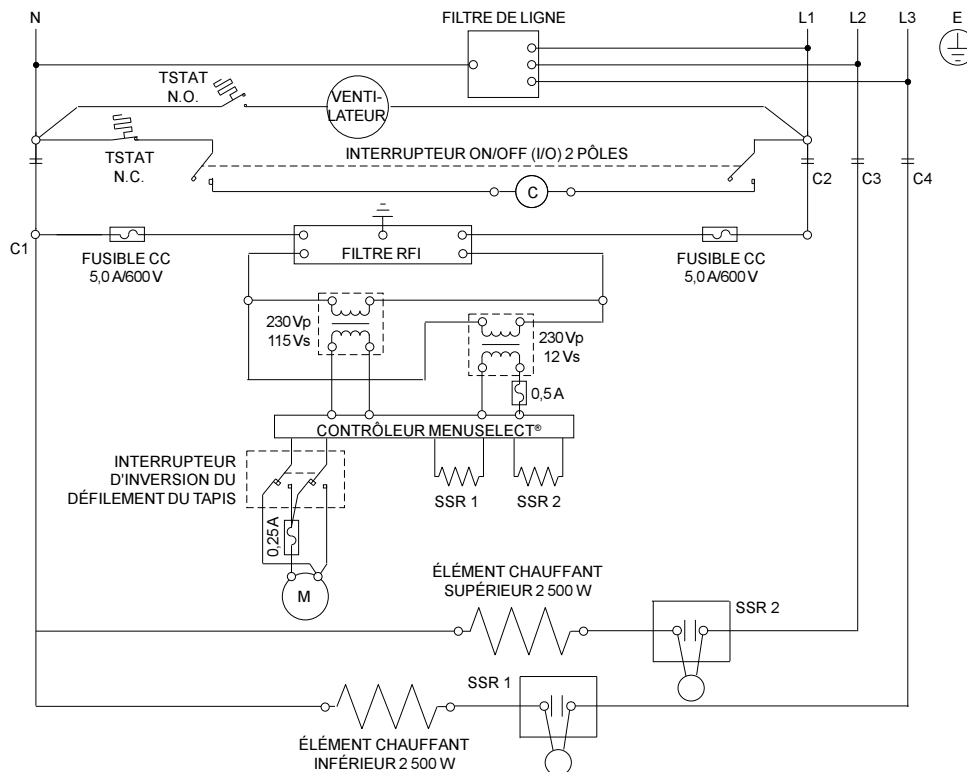


Schéma électrique, TCO21140077 (Exportation Europe 380-400 V)



est une marque déposée par CTX, une société Middleby. Tous droits réservés.

CTX • 1400 Toastmaster Drive • Elgin, IL 60120 • USA • (847)741-3300 • FAX (847)741-4406

Middleby Corp Assistance téléphonique 24 heures sur 24 1-800-238-8444

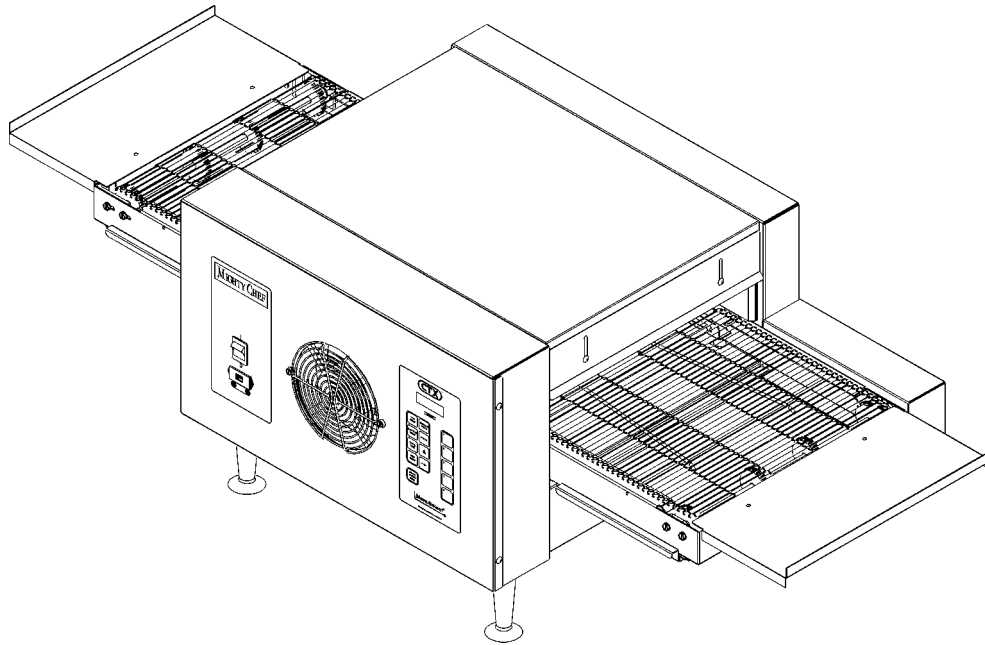
www.middleby.com

TCO2114

Nacional, de exportación estándar y
de exportación europea
Inglés/Alemán
Francés/ESPAÑOL



N/P 43336
Rev. B • V1 • 5/00



ENGLISH
page 1

DEUTSCH
seite 13

FRANÇAIS
page 25

ESPAÑOL
página 37

Horno con cinta transportadora

MIGHTY CHEF™

Modelos:

- TCO21140063 (EE.UU. y de exportación estándar, 208V)
- TCO21140066 (EE.UU. y de exportación estándar, 240V)
- TCO21140035 (de exportación europea, 230V)
- TCO21140077 (de exportación europea, 380-400V)

Combinaciones:

- Horno sencillo
- Horno doble (torre de dos unidades)
- Horno triple (torre de tres unidades)

MANUAL DE INSTALACIÓN Y OPERACIÓN DEL PROPIETARIO

© 2000 CTX, A Middleby Company

CTX® es una marca registrada de Middleby Marshall, Inc.
Reservados todos los derechos.

Middleby Cooking Systems Group • 1400 Toastmaster Drive • Elgin, IL 60120 EE.UU. • (847)741-3300 • FAX (847)741-4406



AVISO: EN CASO DE INCENDIO

En caso de incendio, desconecte INMEDIATAMENTE el horno del suministro eléctrico. Al desconectar los elementos caloríficos eléctricos permitirá que la unidad se enfríe, facilitando la extinción del incendio.

AVISO: PARA SU SEGURIDAD

NO UTILICE NI ALMACENE GASOLINA NI OTROS GASES O LÍQUIDOS INFLAMABLES CERCA DE ÉSTE U OTROS APARATOS ELÉCTRICOS

AVISO

UNA INSTALACIÓN, AJUSTE, ALTERACIÓN, SERVICIO O MANTENIMIENTO INAPROPIADOS PUEDEN CAUSAR DAÑOS MATERIALES, LESIONES PERSONALES O LA MUERTE. LEA ATENTAMENTE LAS INSTRUCCIONES DE INSTALACIÓN Y OPERACIÓN ANTES DE INSTALAR O PRESTAR SERVICIO A ESTE EQUIPO.

AVISO

DESCONECTE EL HORNO DEL SUMINISTRO ELÉCTRICO ANTES DE REALIZAR TAREAS DE LIMPIEZA O SERVICIO.

PRECAUCIÓN

Si se utilizan piezas distintas de las originales suministradas en fábrica por CTX, el fabricante queda libre de toda responsabilidad.

IMPORTANTE

Antes de realizar tareas de mantenimiento y reparación, póngase en contacto con el técnico de servicio autorizado. Con el horno se proporciona una lista de establecimientos de servicio.

IMPORTANTE

CTX (el fabricante) se reserva el derecho a modificar las especificaciones y diseño del producto sin previo aviso. Estas modificaciones no dan derecho al comprador a los cambios, mejoras, adiciones o reemplazos por equipo comprado con anterioridad.

CONSERVE ESTE MANUAL PARA USARLO COMO REFERENCIA EN EL FUTURO

Este manual proporciona información detallada sobre la instalación y operación de su horno con cinta transportadora. También contiene información para ayudar al operador a solucionar problemas en el caso de una avería. Este manual es una herramienta importante para el operador y debe conservarse en un lugar de fácil acceso.

ÍNDICE

SECCIÓN 1

DESCRIPCIÓN 39

- A. Características 39
- B. Ubicación y función de los componentes 39
- C. Especificaciones eléctricas 39

SECCIÓN 2

INSTALACIÓN 40

- A. Opciones de instalación y disponibilidad del kit de instalación 40
- B. Montaje 40
- C. Conexión eléctrica 40

SECCIÓN 3

OPERACIÓN 41

- A. Ubicación y función de los controles 41
- B. Procedimiento diario de conexión 41
- C. Operación 42
- D. Procedimiento de desconexión 42
- E. Programación de menús preajustados 43
- F. Indicaciones para el tiempo de cocción y temperatura 44
- G. Ajuste de las cortinas contra corriente de aire 44
- H. Limpieza diaria 45
- I. Mensajes y códigos de error mostrados en la pantalla 46

SECCIÓN 4

DIAGRAMAS DEL CABLEADO ELÉCTRICO 47

- A. Diagrama y esquema del cableado: TCO21140063 (EE.UU. y de exportación estándar, 208V) y TCO21140066 (EE.UU. y de exportación estándar, 240V) 47
- B. Diagrama y esquema del cableado: TCO21140035 (de exportación europea, 230V) 47
- C. Diagrama y esquema del cableado: TCO21140077 (de exportación europea, 380-400V) 48

© 2000 CTX, A Middleby Company



es una marca registrada de Middleby Marshall, Inc. Reservados todos los derechos.

CTX • 1400 Toastmaster Drive • Elgin, IL 60120 • EE.UU. • (847)741-3300 • FAX (847)741-4406

Servicio de atención al cliente de Middleby Corp. (24 horas al día) 1-800-238-8444

www.middleby.com

SECCIÓN 1: DESCRIPCIÓN

A. CARACTERÍSTICAS

El horno con cinta transportadora Mighty Chefä, modelo TCO2114, está diseñado para cocinar, hornear y asar de forma rápida y sencilla una variedad de alimentos con resultados y calidad uniformes. El horno es ideal para preparar pizzas, tostadas de ajo, galletas, sándwiches y otros alimentos.

Las características del horno Mighty Chef incluyen:

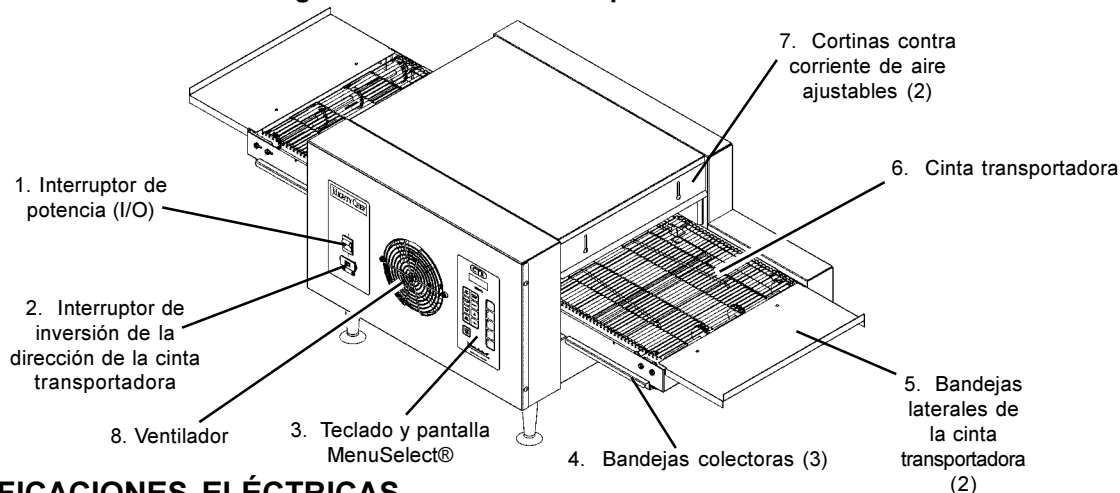
- Un controlador electrónico programable que permite seleccionar un máximo de 5 menús preajustados
- Una superficie exterior fría para mayor seguridad
- Una cinta transportadora de 356 mm (14") que se puede ajustar fácilmente para que funcione en cualquier dirección
- Cortinas contra corriente de aire ajustables para reducir el aire en el interior del horno y evitar la pérdida de calor
- Construcción de acero inoxidable reforzada y soldada
- Instalación fácil sobre un mostrador sin necesidad de componentes adicionales

B. UBICACIÓN Y FUNCIÓN DE LOS COMPONENTES

Observe la figura 1 para determinar la ubicación de estos componentes.

- 1-3. Controles del horno: consulte la sección 3, **Operación**.
4. Bandejas colectoras (3 en total): reciben los residuos de alimentos que pasan a través de la cinta transportadora. La bandeja central se encuentra debajo del centro de la cinta transportadora. Las bandejas laterales se encuentran debajo de CADA extremo de la cinta transportadora.
5. Bandejas laterales de la cinta transportadora: proporcionan espacio adicional para carga y salida en los extremos de la cinta transportadora.
6. Cinta transportadora: transporta los alimentos a través del horno y entre los elementos caloríficos superior e inferior.
7. Cortinas contra corriente de aire ajustables (2 en total): reducen las corrientes de aire en el interior del horno y evitan la pérdida de calor.
8. Ventilador: enfría los componentes internos del horno.

Figura 1: Ubicación de componentes



C. ESPECIFICACIONES ELÉCTRICAS

	TCO21140063	TCO21140066	TCO21140035	TCO21140077
Voltaje de funcionamiento	208V	240V	230V	380-400V
Frecuencia	50/60 Hz	50/60 Hz	50 Hz	50 Hz
Fase	1 Ph	1 Ph	1 Ph	3 Ph
Potencia en kW	5 kW	5,3kW	5 kW	5 kW
Amperaje real	24 A (total)	22,1A (total)	21,1A (total)	
L1	N/A	N/A	N/A	0,3A
L2	N/A	N/A	N/A	10,5A
L3	N/A	N/A	N/A	10,3A
N	N/A	N/A	N/A	10,3A
Información acerca de cables y enchufes	Cable conectado con enchufe NEMA 6-30P	Cable conectado con enchufe NEMA 6-30P	Cable HO7RN-F tipo Kabelmetal con conductores de 3 x 4 mm y enchufe IEC 309 moldeado. El enchufe tiene una potencia de 230VCA, 32A.	N/A

SECCIÓN 2: INSTALACIÓN

IMPORTANTE

ES RESPONSABILIDAD DEL CLIENTE INFORMAR A LA EMPRESA DE TRANSPORTE SOBRE CUALQUIER DAÑO VISIBLE U OCULTO.

A. OPCIONES DE INSTALACIÓN Y DISPONIBILIDAD DEL KIT DE INSTALACIÓN

Si va a instalar dos o tres hornos apilados, deberá utilizar el kit de apilado disponible por separado (N/P T2114STACK). Para instalar dos hornos necesitará un kit, mientras que para tres hornos necesitará dos kits. **No está permitido instalar más de tres hornos.**

Siempre que las instrucciones del kit de apilado difieran de las descritas a continuación, siga las instrucciones suministradas con el kit.

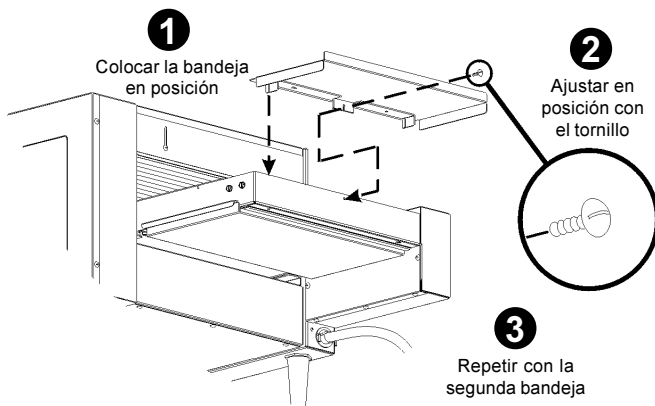
B. MONTAJE

1. Instalación de las patas
 - a. Inclíne con cuidado el horno sobre el lado posterior. El lado delantero (controlador) debe quedar orientado hacia arriba.
 - b. Inserte las cuatro patas en los orificios de la parte inferior del horno. Apriételas firmemente.
2. Instalación de las bandejas laterales de la cinta transportadora
 - a. Empuje una de las bandejas laterales de la cinta transportadora hacia abajo, sobre la placa del extremo del bastidor de la cinta transportadora, tal como se muestra en la figura 2.
 - b. Asegure la bandeja lateral en posición con uno de los tornillos suministrados 8-32x3/8", tal como se muestra en la figura 2.
 - c. Repita los pasos anteriores para instalar la segunda bandeja lateral en el extremo opuesto del bastidor de la cinta transportadora.

PRECAUCIÓN

ANTES DE UTILIZAR EL HORNO, DEBERÁ AJUSTAR EN POSICIÓN LAS PATAS Y LAS BANDEJAS LATERALES SUMINISTRADAS.

Figura 2: Instalación de las bandejas laterales



C. CONEXIÓN ELÉCTRICA IMPORTANTE

- En las páginas 9 y 10 de este manual se incluyen diagramas del cableado.
- La conexión eléctrica al horno requiere un disyuntor o desconexión por fusible. Consulte los requisitos aplicables de los códigos nacionales y locales para determinar la potencia del disyuntor o desconexión. Las especificaciones eléctricas aparecen en la placa de serie del horno y en la tabla de Especificaciones eléctricas (en la sección 1 de este manual).

- El cable de potencia y el enchufe del horno proporcionan una conexión eléctrica a tierra. Asimismo, se debe efectuar una conexión a tierra equipotencial independiente si los códigos nacionales o locales lo requieren.
- Consulte todos los códigos nacionales y locales aplicables para conocer otros requisitos de conexión eléctrica.

1. Antes de proceder con la conexión eléctrica, compruebe que el suministro eléctrico coincida con los requisitos del horno. Vea la placa de serie y la tabla de Especificaciones eléctricas (en la sección 1 de este manual).



AVISO

ASEGÚRESE DE QUE TANTO EL DISYUNTOR O DESCONEXIÓN POR FUSIBLE COMO EL INTERRUPTOR (I/O) ESTÉN DESCONECTADOS (POSICIÓN "O") ANTES DE CONTINUAR.

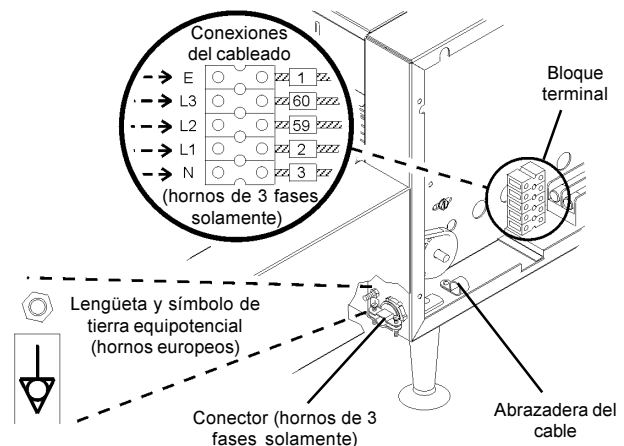


AVISO

ASEGÚRESE DE HABER RETIRADO DE LA CÁMARA DE COCCIÓN DEL HORNO CUALQUIER RESTO DEL MATERIAL DE EMBALAJE.

2. Sólo hornos Mighty Chef de una sola fase:
 - Compruebe que el enchufe del cable de potencia cuente con el receptáculo apropiado.
 - Inserte el enchufe del cable de potencia en su receptáculo.
3. Sólo hornos Mighty Chef de tres fases:
 - Retire los dos tornillos que sujetan el panel de la cubierta posterior en posición y retire el panel de la cubierta.
 - Inserte el extremo del suministro eléctrico a través del conector como se muestra en la figura 3.
 - Conecte los cables de suministro eléctrico a sus conexiones del bloque terminal como se muestra en la figura 3.
 - Asegure los cables de suministro a la base del compartimento eléctrico con la abrazadera suministrada. Los cables no deben interferir con la cadena impulsora ni la rueda dentada. Vea la figura 3.
 - Asegure el suministro eléctrico cuando pasa a través del conector en el panel exterior del horno.
 - Vuelva a colocar el panel posterior del horno y asegúrelo en posición.
4. Si lo requieren los códigos nacionales o locales, conecte un cable de tierra equipotencial a la lengüeta mostrada en la figura 3. La conexión equipotencial a tierra debe cumplir todos los requisitos aplicables de los códigos nacionales y locales.

Figura 3: Conexiones eléctricas



SECCIÓN 3: OPERACIÓN

A. UBICACIÓN Y FUNCIÓN DE LOS CONTROLES

En esta sección se proporciona una descripción básica de los controles del horno Mighty Chef, además de su ubicación y funciones. El operador DEBE estar familiarizado con los controles. Vea la figura 4.

1. Controlador MenuSelect®

Teclado de múltiples funciones que contiene lo siguiente:

- En la pantalla se muestra la selección actual del menú preajustado, las temperaturas, el tiempo de cocción o errores e información de servicio, dependiendo del modo de operación.
- La luz de "Ready" (listo) se ilumina cuando las dos zonas de calentamiento del horno han alcanzado las temperaturas ajustadas.
- Con el botón [Top Temp] se muestra o ajusta la temperatura de la zona superior.
- Con el botón [Bottom Temp] se muestra o ajusta la temperatura de la zona inferior.
- Con el botón [Cook Time] se muestra o ajusta el tiempo de cocción.
- Con el botón [Ref Temp] se muestra una temperatura de referencia para la zona de calentamiento superior o inferior.
- Con el botón [Sngl Pizza] se ajusta la temperatura de la zona de calentamiento superior para hornear correctamente una sola pizza, o la última de un grupo de pizzas.
- Con el botón [Prog] se pueden volver a programar las selecciones de los cinco menús preajustados.
- Con el botón [Prog Override] se puede modificar temporalmente la programación de los menús preajustados.

j. Las teclas con las flechas hacia arriba y hacia abajo se utilizan para modificar el tiempo de cocción y los ajustes de las temperaturas.

k. Las teclas de los menús preajustados (1-5) se utilizan para seleccionar y cambiar un menú preajustado.

2. Interruptor de potencia (I/O)

Se utiliza para encender ("I") y apagar ("O") el horno.

3. Interruptor de inversión de la dirección de la cinta transportadora

Se utiliza para cambiar la dirección de desplazamiento de la cinta transportadora.

PRECAUCIÓN

No opere el interruptor de inversión de la cinta transportadora cuando ésta se mueva.

B. PROCEDIMIENTO DIARIO DE CONEXIÓN

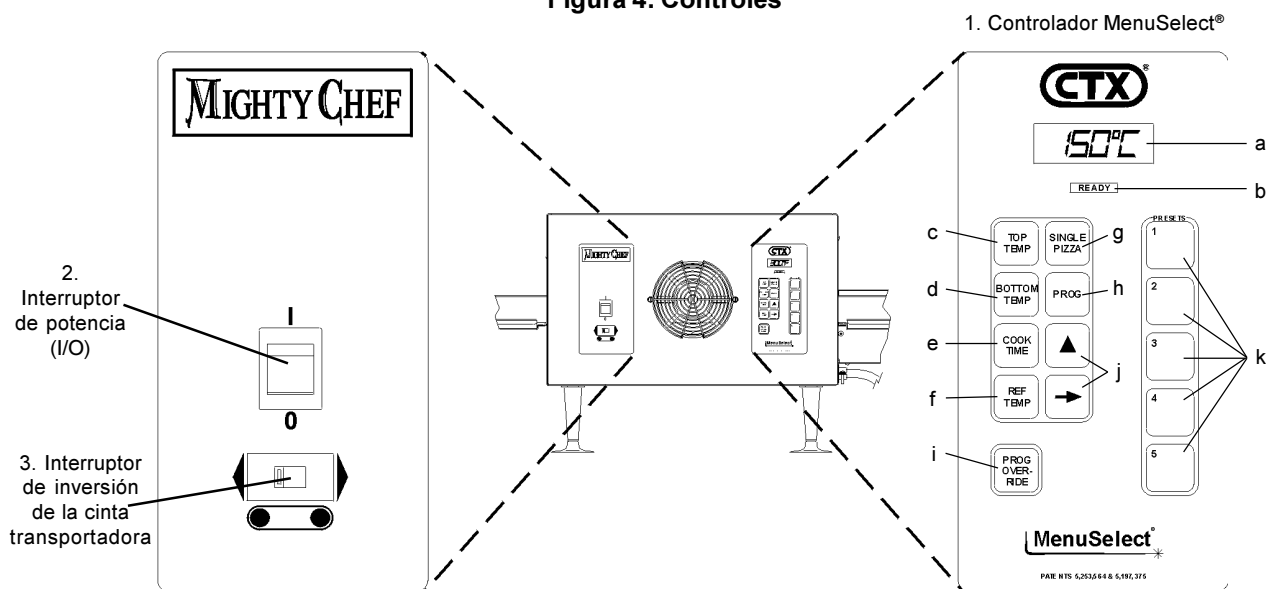
- Ajuste la posición de las cortinas contra corriente de aire en los extremos de la cámara de cocción (si es necesario). Este procedimiento se describe detalladamente en el apartado G, *Ajuste de las cortinas contra corriente de aire*, de esta sección.

IMPORTANTE




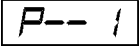




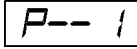
Cuando utilice temperaturas muy altas para cocinar (temperatura de la zona de calentamiento de 204°C (400°F) o superior), el horno debe precalentarse durante 10 minutos como mínimo, CON LAS CORTINAS CONTRA CORRIENTE DE AIRE BAJADAS COMPLETAMENTE, y ambas zonas de calentamiento ajustadas a 315°C (599°F). Después del precalentamiento las cortinas deben colocarse en la posición adecuada.

- Vuelva a encender el horno con el disyuntor o desconexión por fusible.
- Coloque el interruptor de potencia (I/O) en la posición de encendido ("I").

Figura 4: Controles











C. OPERACIÓN

- 1. PARA PROGRAMAR UN NUEVO MENÚ PREAJUSTADO** Realice el procedimiento que aparece en la apartado E, *Programación de menús preajustados*, de esta sección. Antes de hacer funcionar el horno, DEBERÁ programar como mínimo un menú.
- 2. PARA CANCELAR TEMPORALMENTE LA SELECCIÓN DE UN MENÚ PRE-AJUSTADO:** Realice el procedimiento que aparece en el apartado E, *Programación de menús preajustados*, PERO pulse  en lugar de  (en los pasos 3 y 8). En lugar de cancelar permanentemente la selección de un menú, los nuevos ajustes de temperatura y tiempo de cocción son sólo temporales. Para cancelar la selección de un menú temporal, pulse cualquier botón de los menús preajustados o desenchufe el horno.
- 3. PARA ELEGIR UN MENÚ PREAJUSTADO**
 - Pulse el botón  (u otro botón de los menús ajustados). La pantalla mostrará . El número de la pantalla (arriba se muestra "1") coincidirá con el botón del menú que haya pulsado (1-5).
 - Espera a que se muestre  (listo). Se iluminará cuando se alcance la temperatura ajustada en ambas zonas de calentamiento.
 - Coloque el producto en el cinta transportadora.
- 4. PARA PREPARAR UNA SOLA PIZZA O LA ÚLTIMA DE UN GRUPO DE PIZZAS:**
 - Elija un menú preajustado y espere a que se muestre  (listo).
 - Pulse .  y  se mostrarán alternativamente en la pantalla. El número en la pantalla (arriba se muestra "1") coincidirá con la selección del menú actual (1-5).
 - Coloque la pizza en el cinta transportadora.

IMPORTANTE

Quando haya transcurrido la mitad del tiempo de cocción, la temperatura de la zona superior descenderá automáticamente. Cuando haya transcurrido el tiempo completo de cocción, el programa regresará a la temperatura normal de la zona superior.

Después de pulsar , no podrá cambiar la selección de menú hasta que haya transcurrido el tiempo de cocción.

- 5. PARA VER LAS TEMPERATURAS AJUSTADAS** Pulse  o . La temperatura ajustada para la parte superior o inferior se mostrará durante 5 segundos.
- 6. PARA VER LAS TEMPERATURAS DE REFERENCIA DE LAS ZONAS DE CALENTAMIENTO:** Pulse  +  o  + . La temperatura de referencia para las zonas superior o inferior se mostrará durante 5 segundos.
- 7. PARA VER EL TIEMPO DE COCCIÓN:** Pulse . El tiempo de cocción se mostrará durante 5 segundos.



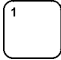
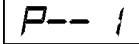
D. PROCEDIMIENTO DE DESCONEXIÓN



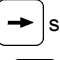


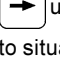
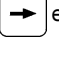
- Coloque el interruptor de potencia (I/O) en la posición de apagado ("O").
- Espera a que el ventilador del horno se apague.
- Desconecte el suministro eléctrico del horno en el disyuntor o desconexión por fusible.

E. PROGRAMACIÓN DE MENÚS PREAJUSTADOS

IMPORTANTE




La programación de un nuevo programa de menú sobrescribirá el programa existente. NO sobrescriba un programa que desee conservar.

1. Encienda el horno en el disyuntor o desconexión por fusible.
2. Coloque el interruptor de potencia (I/O) en la posición de encendido ("I").
3. Pulse y mantenga pulsado el botón  hasta que  aparezca en la pantalla.
4. **ELIJA EL MENÚ QUE DESEE PROGRAMAR.** Pulse y mantenga pulsado  (u otro botón de los menús preajustados) hasta que  aparezca en la pantalla y comience a destellar. El número de la pantalla (arriba se muestra "1") coincidirá con la tecla del menú que haya pulsado (1-5).

5. **AJUSTE LA TEMPERATURA SUPERIOR**
 - a. Pulse . La temperatura ajustada actualmente para la zona superior aparece en la pantalla.
 - b. Pulse  y  según sea necesario para cambiar la temperatura mostrada
 - Al pulsar  una vez, incrementará en una unidad el dígito "activo" (destellante). Este dígito pasará a su valor mínimo si pulsa  cuando el dígito muestra su valor máximo.
 - Al pulsar  una vez, el siguiente dígito a la derecha se pasará a ser el dígito "activo" (destellante). Si el dígito situado en el extremo derecho destella cuando se pulsa  el dígito situado en el extremo izquierdo destellará y se convertirá en el dígito "activo".




IMPORTANTE

Los límites de temperatura permitidos oscilan entre 93 y 315°C (200 y 599°F). Si programa una temperatura ajustada entre 0°C (0°F) y 37°C (99°F), el calentador se ajustará a APAGADO (OFF). Si programa una temperatura ajustada entre 38°C (100°F) y 92°C (199°F), la temperatura cambiará automáticamente a 93°C (200°F), la pantalla destellará y se oirá un tono avisándole del cambio de temperatura.

6. **AJUSTE LA TEMPERATURA INFERIOR**
 - a. Pulse . La temperatura ajustada actualmente para la zona inferior aparece en la pantalla.
 - b. Pulse  y  según sea necesario para cambiar la temperatura mostrada






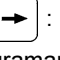
IMPORTANTE

A menos que siga unas instrucciones específicas para el tiempo y la temperatura, las temperaturas de la zona superior e inferior deben ajustarse A NO MÁS DE 28°C (50°F) de diferencia entre sí. Si la diferencia entre las temperaturas es mayor, puede ser que la zona de más calor caliente la zona más fría. Esto producirá unos resultados de cocción variables.

7. **AJUSTE EL TIEMPO DE COCCIÓN**
 - a. Pulse . El tiempo de cocción actual aparece en la pantalla (minutos : segundos)
 - b. Pulse  y  según sea necesario para cambiar el tiempo mostrado.

IMPORTANTE

El intervalo de tiempo de cocción permitido es 00:30-15:00. Si programa un tiempo de cocción que no se encuentra dentro de estos límites, se adoptará el tiempo más cercano permitido (00:30 si el tiempo es demasiado corto o 15:00 si es demasiado largo). La pantalla destellará y se oirá un tono para avisarle del cambio del tiempo de cocción.

8. Pulse UNO de los siguientes botones:
 - , , o  : vuelva a introducir la temperatura del punto de ajuste superior, la temperatura del punto de ajuste inferior o el tiempo de cocción.
 -  : desactive el modo de programación. De esta forma, el horno volverá a al modo de funcionamiento normal.
 - Cualquier otra tecla excepto  or  : reanuda el modo de funcionamiento pero deja el modo de programación activo. En este momento puede programar otras selecciones de menús preajustados.

F. INDICACIONES PARA EL TIEMPO DE COCCIÓN Y TEMPERATURA

IMPORTANTE

Los tiempos de cocción y las temperaturas mostradas a continuación son sólo recomendaciones. Compruebe siempre cada alimento para determinar los ajustes correctos de tiempo y temperatura.

PRODUCTO	TEMPERATURA AJUSTADA		TIEMPO DE COCCIÓN
	superior	inferior	
Porciones de bagels	400°F/204°C	420°F/216°C	5:00
Galletas	250°F/121°C	335°F/168°C	6:45
Barritas de pan (a recalentar)	425°F/218°C	475°F/246°C	4:30
Barritas de queso (congeladas)	460°F/238°C	445°F/229°C	6:00
Porciones de pollo (congeladas)	460°F/238°C	445°F/229°C	6:00
Galletas	375°F/191°C	375°F/191°C	9:00
Pan de ajo (a recalentar)	425°F/218°C	475°F/246°C	2:30
Hamburguesas (congeladas)	540°F/282°C	540°F/282°C	5:00
Palomitas de maíz de jalapeños	460°F/238°C	400°F/204°C	6:45
Pizza (fresca) diá. 300 mm (12")	375°F/191°C	480°F/249°C	6:30
Pizza (a recalentar), una porción	425°F/218°C	500°F/260°C	2:15
Pizza (congelada - en el refrigerador 12 hrs. antes de la cocción) diá. 150-200 mm (6-8")	380°F/193°C	430°F/221°C	6:30
Pizza, corteza crujiente	470°F/243°C	525°F/274°C	6:30
Rosquillas tipo "Pretzels" (precocinadas)	505°F/263°C	540°F/282°C	0:45
Sándwiches, abiertos	550°F/288°C	550°F/288°C	0:50

G. AJUSTE DE LAS CORTINAS CONTRA CORRIENTE DE AIRE

Es posible que tenga que ajustar las cortinas contra corriente de aire con el fin de dejar el suficiente espacio para algunos alimentos. Las cortinas se deben ajustar para evitar corrientes de aire en el interior del horno y la pérdida de calor.

Las cortinas se pueden retirar del horno para dejar el máximo espacio vertical por encima de la cinta transportadora.



AVISO

ANTES DE AJUSTAR LAS CORTINAS CONTRA CORRIENTE DE AIRE, COLOQUE EL INTERRUPTOR DE POTENCIA EN LA POSICIÓN DE APAGADO ("O").



PRECAUCIÓN: SUPERFICIE CALIENTE

CUANDO VUELVA A AJUSTAR LAS CORTINAS:

- **USE UN GUAANTE DE HORNO PARA SERVICIO PESADO.**
- **NO INTRODUZCA LAS MANOS DENTRO DE LA CÁMARA DE COCCIÓN.** Vea la figura 5.

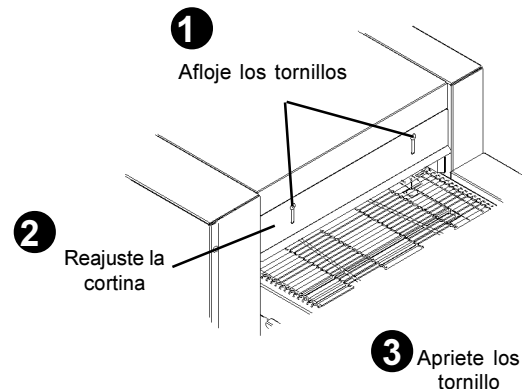
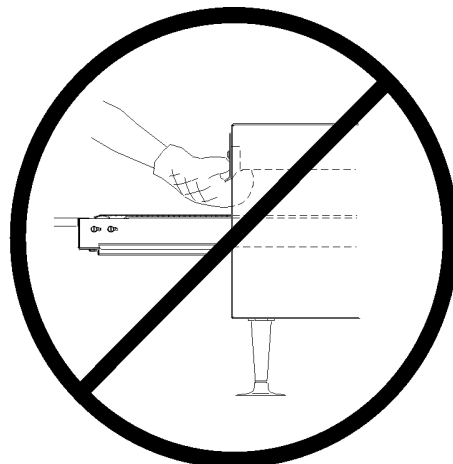
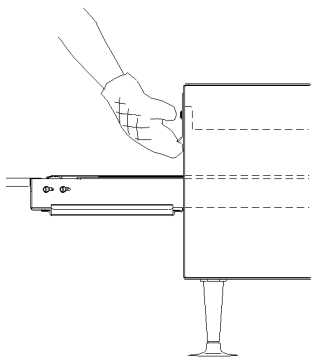
1. Para reajustar las cortinas contra corriente de aire:
 - a. Afloje los dos tornillos que sujetan la cortina en posición. Vea la figura 5.
 - b. Deslice la cortina a la distancia deseada por encima de la cinta transportadora.
 - c. Apriete los dos tornillos que sujetan la cortina en posición.
 - d. Repita estos pasos con la cortina situada en el extremo opuesto del horno.
2. Para retirar las cortinas del horno:
 - a. Retire los dos tornillos que sujetan en posición la cortina.
 - b. Retire la cortina.
 - c. Repita estos pasos con la cortina situada en el extremo opuesto del horno.

Figura 5

Reajuste de las cortinas contra corriente de aire

MANTENGA las manos fuera de la cámara de cocción.

NO introduzca las manos dentro de la cámara de cocción.



H. LIMPIEZA DIARIA



AVISO
CUANDO LIMPIE EL HORNO:

- **NUNCA UTILICE AGUA A PRESIÓN.**
- **NUNCA UTILICE UNA SOLUCIÓN DE LIMPIEZA QUE NO SEA AGUA Y JABÓN PARA LIMPIAR LOS COMPONENTES DEL HORNO QUE ENTREN EN CONTACTO CON LOS ALIMENTOS. ESTAS ÁREAS INCLUYEN LA CINTA TRANSPORTADORA Y LAS BANDEJAS LATERALES.**
- **NUNCA APLIQUE DEMASIADO LÍQUIDO. SI EL LÍQUIDO QUEDARA ESTANCADO DENTRO DEL HORNO PODRÍA SER CAUSA DE UN GRAVE PELIGRO ELÉCTRICO Y ADEMÁS PODRÍA DAÑAR EL HORNO.**

PRECAUCIÓN

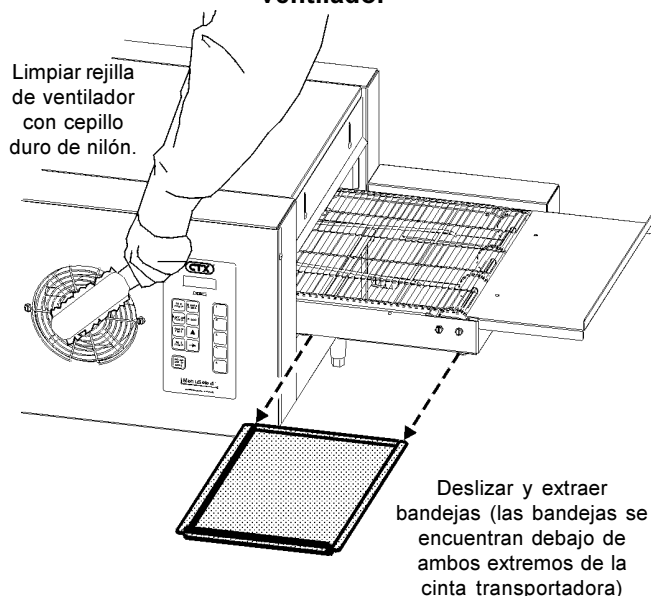
NO limpie el horno con limpiadores o estropajos abrasivos. Se rayará el acabado y se perderá el brillo.

1. Con la cinta transportadora en movimiento, utilice un cepillo para limpiar los residuos de alimentos de la cinta transportadora, dejando que caigan en las bandejas colectoras.
2. Coloque el interruptor de potencia (I/O) en la posición de apagado ("O") y espere a que el ventilador se apague.
3. Desconecte el horno en el disyuntor o desconexión por fusible.
4. Deje que el horno se enfríe.



PRECAUCIÓN: SUPERFICIE CALIENTE
NO TOQUE LAS SUPERFICIES CALIENTES DEL HORNO NI INTRODUZCA LAS MANOS EN LA CÁMARA DE COCCIÓN HASTA QUE LA UNIDAD SE HAYA ENFRIADO COMPLETAMENTE.

Figura 6
Bandejas colectoras laterales y rejilla del ventilador



5. Limpie bien la rejilla del ventilador, situada en la parte delantera del horno, usando un cepillo duro de nilón. Vea la figura 6.
6. Limpie las bandejas laterales con AGUA Y JABÓN SOLAMENTE y séquelas con una toalla. Si es necesario, puede sacar las bandejas para limpiarlas retirando los tornillos que las sujetan. Vea la figura 2 (en la sección Instalación de este manual).

IMPORTANTE

Si retira las bandejas laterales para limpiarlas, vuelva a colocarlas antes de hacer funcionar el horno.

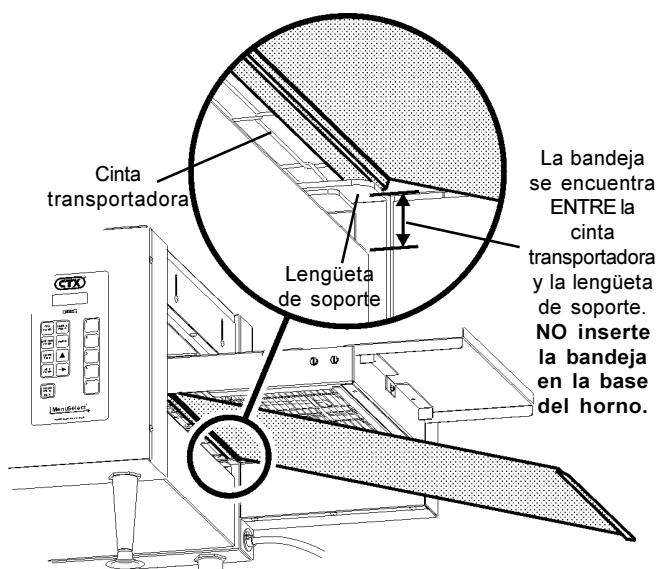
7. Deslice las bandejas laterales para sacarlas de debajo de los extremos de entrada y salida de la cinta transportadora. Vea la figura 6.
8. Levante AMBOS extremos de la bandeja colectora central y luego deslícela sacándola por cualquiera de los extremos del horno.
9. Limpie las tres bandejas colectoras con un limpiador de hornos comercial. Si es necesario, séquelas con una toalla.
10. Vuelva a colocar la bandeja colectora central en el horno tal como se muestra en la figura 7.

IMPORTANTE



ES NECESARIO colocar bien la bandeja colectora central para cocinar de forma adecuada. Asegúrese de volver a colocar la bandeja dentro del bastidor de la cinta transportadora, como se muestra en la figura 7. NO la coloque en la base de la cámara de cocción.

11. Vuelva a colocar las dos bandejas laterales.
12. Limpie la superficie exterior del horno con un paño humedecido con jabón y agua O un limpiador para acero inoxidable. Tenga cuidado de que no entren líquidos en el horno durante la limpieza, especialmente cuando limpie la rejilla del ventilador.

Figura 7
Colocación de la bandeja colectora central

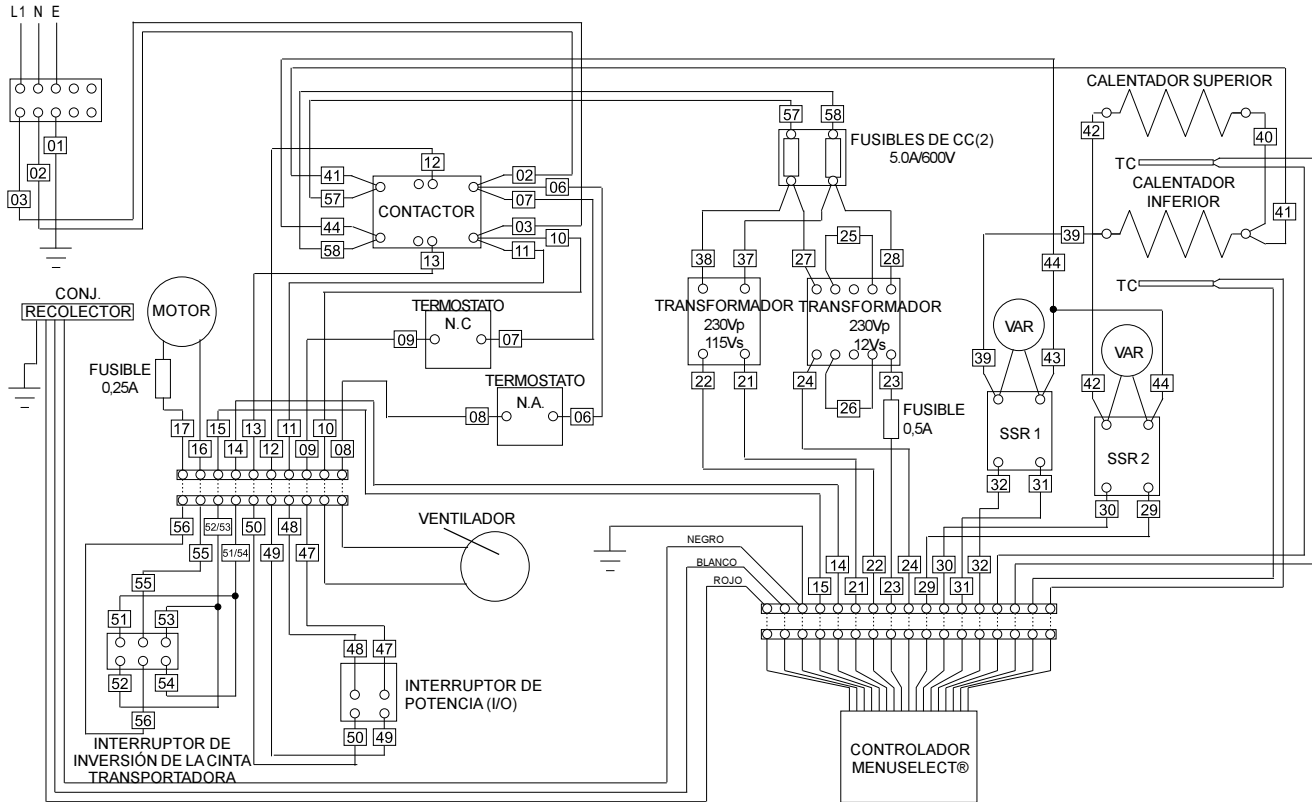


I. MENSAJES Y CÓDIGOS DE ERROR MOSTRADOS EN LA PANTALLA

LA PANTALLA MUESTRA	PROBLEMA	ACCIÓN
Lastemperaturas o tiempos de cocción destellan durante la programación y el horno emite un tono OFF	<i>Las temperaturas o tiempos de cocción no han sido ajustados dentro de los límites permitidos</i>	Vuelva a programar usando temperaturas y tiempos de cocción que estén dentro de los límites permitidos. Asimismo, consulte el apartado E, <i>Programación de menús preajustados</i> en esta sección.
----	<i>Elemento calorífico desactivado</i>	Si el elemento debe estar activado, vuelva a programar usando temperaturas ajustadas dentro de los límites permitidos. Asimismo, refiérase al apartado E, <i>Programación de menús preajustados</i> en esta sección.
E-00	<i>No se ha elegido un menú</i>	Elija o programe un menú preajustado
E-01	<i>Se ha perdido el programa del menú preajustado</i>	Vuelva a introducir el programa del menú preajustado.
E-02	<i>Temperatura elevada</i> La temperatura dentro del compartimento de control supera los 65°C. El horno se apaga y emite un tono continuo.	Compruebe el ventilador (centrado en el panel delantero del horno) para determinar si está limpio y si funciona apropiadamente. Si el ventilador no funciona una vez que se ha calentado el horno o si el horno permanece con una temperatura alta, póngase en contacto con un técnico de servicio autorizado.
E-04	<i>Embalamiento de la cinta transportadora</i> La cinta transportadora funciona a máxima velocidad. El horno se apaga y emite un tono continuo.	Compruebe el ajuste de velocidad apropiado al pulsar  . Si el ajuste de la velocidad es correcto y la cinta transportadora continua funcionando a máxima velocidad, póngase en contacto con un técnico de servicio autorizado.
E-04	<i>Cinta transportadora floja o atascada</i> La cinta transportadora se detiene cuando el ajuste de velocidad se encuentra entre 0:15 y 15:00.	Coloque el interruptor de potencia (I/O) en la posición de apagado ("O"). Desconecte el disyuntor o desconexión por fusible. Deje que el horno se enfríe durante 30 minutos como mínimo.
		PRECAUCIÓN: SUPERFICIE CALIENTE NO INTENTE ELIMINAR UN ATASCO EN UNA CINTA TRANSPORTADORA CUANDO LA CÁMARA DE COCCIÓN ESTÁ CALIENTE. PODRÍA SUFRIR GRAVES LESIONES PERSONALES.
E-35	<i>Avería de la zona de calentamiento superior</i>	Si la cinta transportadora está atascada, elimine el atasco desde la cinta. Si la cinta transportadora sigue sin funcionar correctamente después de eliminar el atasco O si aparece un mensaje de error cuando la cinta transportadora NO está atascada, póngase en contacto con un técnico de servicio local autorizado
E-36	<i>Avería de la zona de calentamiento inferior</i>	Póngase en contacto con un técnico de servicio local autorizado.
E-40	<i>Límite alto de la temperatura de la zona de calentamiento</i> La temperatura de una o ambas zonas de calentamiento es superior a 315°C.	Póngase en contacto con un técnico de servicio local autorizado.

SECCIÓN 4. DIAGRAMAS DEL CABLEADO ELÉCTRICO

Diagrama del cableado, TCO21140063 (nacional y de exportación estándar 208V)
y **TCO21140066** (nacional y de exportación estándar 240V)



Esquema eléctrico, TCO21140063

(nacional y de exportación estándar 208V)

y **TCO21140066** (nacional y de exportación estándar 240V)

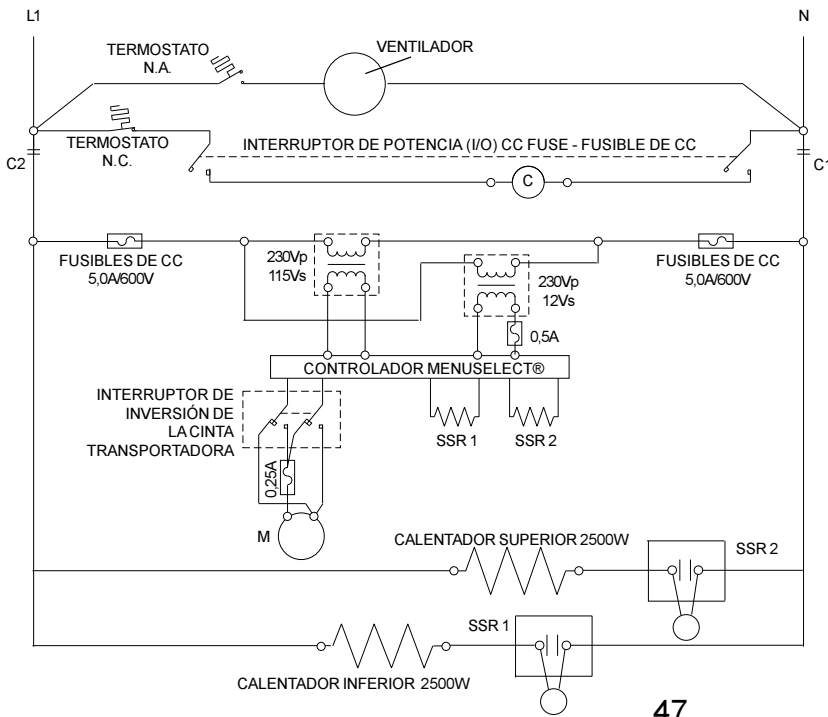
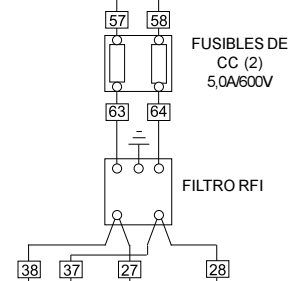


Diagrama del cableado
TCO21140035

(Exportación europea 230 V)

El resto del cableado es idéntico a

TCO21140063/0066



Esquema eléctrico
TCO21140035

(Exportación europea 230V)

El resto del cableado es idéntico a

TCO21140063/0066

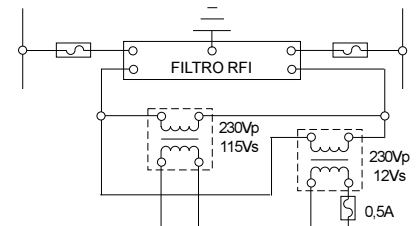
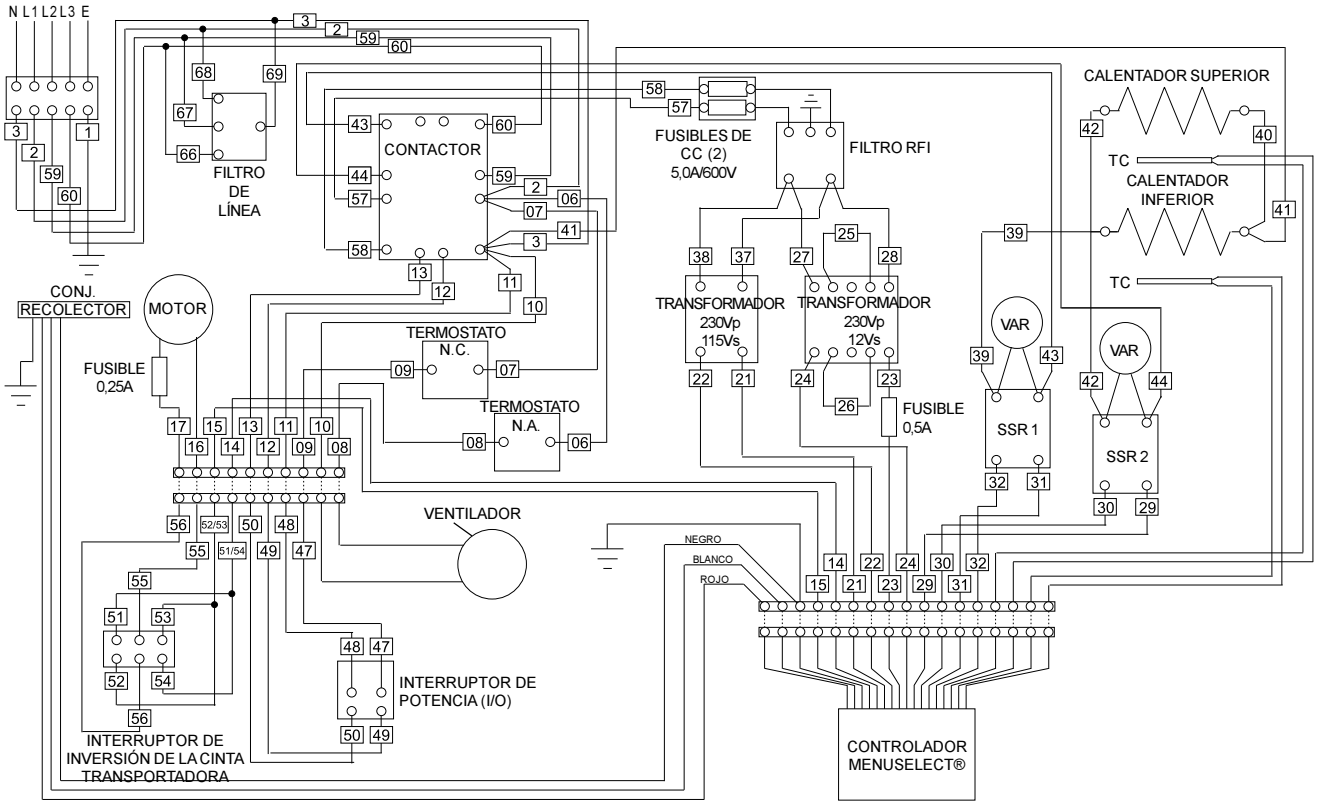
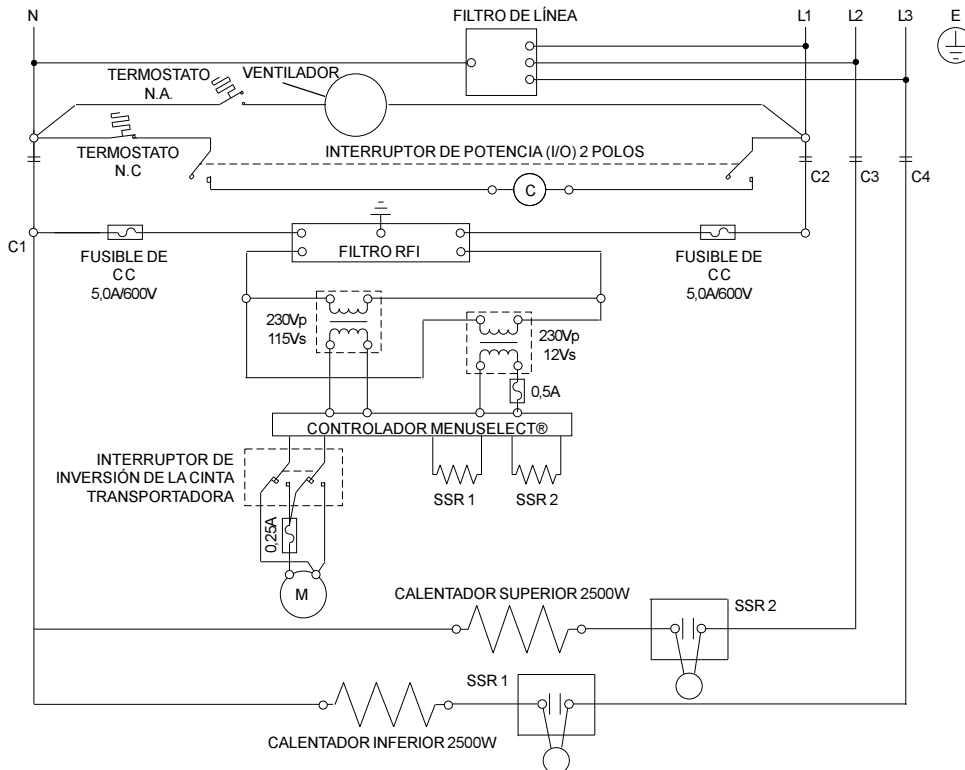


Diagrama del cableado, TCO21140077 (de exportación europea 380-400V)



Esquema eléctrico, TCO21140077 (de exportación europea 380-400V)



es una marca registrada de CTX, A Middleby Company. Reservados todos los derechos.

CTX • 1400 Toastmaster Drive • Elgin, IL 60120 • EE.UU. • (847)741-3300 • FAX (847)741-4406

Servicio de atención al cliente de Middleby Corp. (24 horas al día) 1-800-238-8444

www.middleby.com

Free Manuals Download Website

<http://myh66.com>

<http://usermanuals.us>

<http://www.somanuals.com>

<http://www.4manuals.cc>

<http://www.manual-lib.com>

<http://www.404manual.com>

<http://www.luxmanual.com>

<http://aubethermostatmanual.com>

Golf course search by state

<http://golfingnear.com>

Email search by domain

<http://emailbydomain.com>

Auto manuals search

<http://auto.somanuals.com>

TV manuals search

<http://tv.somanuals.com>