

# Owner's Manual



**5.5 Horsepower**

**2400 PSI**

**2.2 GPM**

**PRESSURE WASHER**

**Model No.**

**919.672241**

- **Safety Guidelines**
- **Assembly**
- **Operation**
- **Maintenance**
- **Storage**
- **Troubleshooting**
- **Repair Parts**

**CAUTION:** Read the Safety Guidelines and All Instructions Carefully Before Operating.

**Sold by Sears Canada, Inc. Toronto, Ont. M5B 2B**

# TABLE OF CONTENTS

WARRANTY .....	2
SPECIFICATION CHART .....	3
SAFETY GUIDELINES- DEFINITIONS .....	3
CONSUMER SAFETY INFORMATION .....	3
IMPORTANT SAFETY INSTRUCTIONS .....	3-7
BOX CONTENTS .....	7
ASSEMBLY .....	8
OPERATION .....	9-13
MAINTENANCE .....	13-16
STORAGE .....	17-18
TROUBLESHOOTING GUIDE .....	18-20
REPAIR PARTS .....	21-36
HOW TO ORDER REPAIR PARTS .....	Back Cover

## WARRANTY

### FULL ONE YEAR WARRANTY ON PRESSURE WASHERS

If this pressure washer fails due to a defect in material or workmanship within one year from the date of purchase, RETURN IT TO THE NEAREST SEARS SERVICE CENTER THROUGHOUT CANADA AND SEARS WILL REPAIR IT, FREE OF CHARGE.

If this pressure washer is used for commercial or rental purposes, the warranty will apply for ninety days (90) from the date of purchase.

This Craftsman pressure washer warranty gives you specific legal rights and you may have other rights which vary from province to province.

**Sears Canada, Inc., Toronto, Ont. M5B 2B8**

# SPECIFICATION CHART

<b>Model No.</b>	<b>919-672241</b>
<b>Pressure Washer</b>	
Pressure	2400 PSI
Flow Rate	2.2 GPM
Cleaning Units (PSI x GPM)	5280
<b>Engine</b>	
RPM	3600
Rated Horsepower	5.5
Spark Plug Gap	.030" (0.76mm)
Gasoline Capacity	.29 gallons (1.1 liters)
Oil .58 quarts ( .55 liters) capacity	SAE 30 weight

This manual contains information that is important for you to know and understand. This information relates to protecting **YOUR SAFETY** and **PREVENTING EQUIPMENT PROBLEMS**. To help you recognize this information, we use the symbols below. Please read the manual and pay attention to these symbols.

<p><b>⚠ DANGER</b> Indicates an imminently hazardous situation which, if not avoided, <u>will</u> result in <b>death or serious injury</b>.</p>	<p><b>⚠ CAUTION</b> Indicates a potentially hazardous situation which, if not avoided, <u>may</u> result in <b>minor or moderate injury</b>.</p>
<p><b>⚠ WARNING</b> Indicates a potentially hazardous situation which, if not avoided, <u>could</u> result in <b>death or serious injury</b>.</p>	<p><b>CAUTION</b> Used without the safety alert symbol indicates a potentially hazardous situation which, if not avoided, <u>may</u> result in <b>property damage</b>.</p>

**⚠ WARNING** This product may not be equipped with a spark arresting muffler. If the product is not equipped and will be used around flammable materials, or on land covered with materials such as agricultural crops, forest, brush, grass, or other similar items, then an approved spark arrester must be installed and is legally required in the state of California. It is a violation of California statutes section 130050 and/or sections 4442 and 4443 of the California Public Resources Code, unless the engine is equipped with a spark arrester, as defined in section 4442, and maintained in effective working order. Spark arresters are also required on some U.S. Forest Service land and may also be legally required under other statutes and ordinances.

**⚠ WARNING** Engine exhaust contains chemicals known, in certain quantities, to cause cancer, birth defects or other reproductive harm.

# IMPORTANT SAFETY INSTRUCTIONS





**Read Operators Manual. Do not operate equipment until you have read operators Manual for Safety, Assembly, Operation, and Maintenance Instructions.**


*READ AND SAVE THESE INSTRUCTIONS*

HAZARD	
<div style="display: flex; justify-content: space-between; align-items: center;"> <div style="background-color: black; color: white; padding: 2px 5px; font-weight: bold;"> <span style="font-size: 1.2em;">▲</span> <b>DANGER</b> </div> <div style="text-align: center;"> <b>RISK OF EXPLOSION OR FIRE</b> </div> <div style="text-align: right;"> </div> </div>	
WHAT CAN HAPPEN	HOW TO PREVENT IT
<ul style="list-style-type: none"> <li>Spilled gasoline and it's vapors can become ignited from cigarette sparks, electrical arcing, exhaust gases, and hot engine components such as the muffler.</li> <li>Heat will expand fuel in the tank which could result in spillage and possible fire explosion.</li> <li>Operating the pressure washer in an explosive environment could result in a fire.</li> <li>Materials placed against or near the pressure washer can interfere with its proper ventilation features causing overheating and possible ignition of the materials.</li> <li>Muffler exhaust heat can damage painted surfaces, melt any material sensitive to heat (such as siding, plastic, rubber, or vinyl), and damage live plants.</li> <li>Improperly stored fuel could lead to accidental ignition. Fuel improperly secured could get into the hands of children or other unqualified persons.</li> <li>Use of acids, toxic or corrosive chemicals, poisons, insecticides, or any kind of flammable solvent with this product could result in serious injury or death.</li> </ul>	<ul style="list-style-type: none"> <li>Shut off engine and allow it to cool before adding fuel to the tank.</li> <li>Use care in filling tank to avoid spilling fuel. Move pressure washer away from fueling area before starting engine.</li> <li>Keep maximum fuel level ½" below top of tank to allow for expansion.</li> <li>Operate and fuel equipment in well ventilated areas free from obstructions. Equip areas with fire extinguisher suitable for gasoline fires.</li> <li>Never operate pressure washer in an area containing dry brush or weeds.</li> <li>Always keep pressure washer a minimum of four feet away from surfaces (such as houses, automobiles, or live plants) that could be damaged from muffler exhaust heat.</li> <li>Store fuel in an OSHA approved container, in a secure location away from work area.</li> <li>Do not spray flammable liquids.</li> </ul>

HAZARD	
<div style="display: flex; justify-content: space-between; align-items: center;"> <div style="background-color: black; color: white; padding: 2px 5px; font-weight: bold;"> <span style="font-size: 1.2em;">▲</span> <b>DANGER</b> </div> <div style="text-align: center;"> <b>RISK TO BREATHING</b> </div> <div style="text-align: right;"> </div> </div>	
WHAT CAN HAPPEN	HOW TO PREVENT IT
<ul style="list-style-type: none"> <li>Breathing exhaust fumes will cause serious injury or death!</li> <li>Some cleaning fluids contain substances which could cause injury to skin, eyes, or lungs.</li> </ul>	<ul style="list-style-type: none"> <li>Operate pressure washer in a well ventilated area. Avoid enclosed areas such as garages, basements, etc.</li> <li>Never operate unit in a location occupied by humans or animals.</li> <li>Use only cleaning fluids specifically recommended for high pressure washers. Follow manufacturers recommendations. Do not use chlorine bleach or any other corrosive compound.</li> </ul>

<b>HAZARD</b>	
<div style="display: flex; justify-content: space-between; align-items: center;"> <div style="background-color: black; color: white; padding: 5px;"><b>⚠ DANGER</b></div> <div style="text-align: center;"> <b>RISK OF INJURY OR PROPERTY DAMAGE WHEN TRANSPORTING OR STORING</b> </div> <div style="text-align: right;">  </div> </div>	
<b>WHAT CAN HAPPEN</b>	<b>HOW TO PREVENT IT</b>
<ul style="list-style-type: none"> <li>Fuel or oil can leak or spill and could result in fire or breathing hazard, serious injury or death can result. Fuel or oil leaks will damage carpet, paint or other surfaces in vehicles or trailers.</li> </ul>	<ul style="list-style-type: none"> <li>If pressure washer is equipped with a fuel shut-off valve, turn the valve to the off position before transporting to avoid fuel leaks. If pressure washer is not equipped with a fuel shut-off valve, drain the fuel from tank before transporting. Only transport fuel in an OSHA approved container. Always place pressure washer on a protective mat when transporting to protect against damage to vehicle from leaks. Remove pressure washer from vehicle immediately upon arrival at your destination.</li> </ul>

<b>HAZARD</b>	
<div style="display: flex; justify-content: space-between; align-items: center;"> <div style="background-color: black; color: white; padding: 5px;"><b>⚠ DANGER</b></div> <div style="text-align: center;"> <b>RISK TO FLUID INJECTION</b> </div> <div style="text-align: right;">  </div> </div>	
<b>WHAT CAN HAPPEN</b>	<b>HOW TO PREVENT IT</b>
<ul style="list-style-type: none"> <li>Your washer operates at fluid pressures and velocities high enough to penetrate human and animal flesh, which could result in amputation or other serious injury. Leaks caused by loose fittings or worn or damaged hoses can result in injection injuries. <b>DO NOT TREAT FLUID INJECTION AS A SIMPLE CUT!</b> See a physician immediately!</li> <li>Injuries can result if system pressure is not reduced before attempting maintenance or disassembly.</li> </ul>	<ul style="list-style-type: none"> <li>Never place hands in front of nozzle.</li> <li>Direct spray away from self and others.</li> <li>Make sure hose and fittings are tightened and in good condition. Never hold onto the hose or fittings during operation.</li> <li>Do not allow hose to contact muffler.</li> <li>Never attach or remove wand or hose fittings while system is pressurized.</li> <li>To relieve system pressure, shut off engine, turn off water supply, and pull gun trigger until water stops flowing.</li> <li>Use only hoses and accessories rated for pressure higher than your pressure washer's p.s.i.</li> </ul>

<b>HAZARD</b>	
<div style="display: flex; justify-content: space-between; align-items: center;"> <div style="background-color: black; color: white; padding: 5px;"><b>⚠ WARNING</b></div> <div style="text-align: center;"> <b>RISK OF CHEMICAL BURN</b> </div> <div style="text-align: right;">  </div> </div>	
<b>WHAT CAN HAPPEN</b>	<b>HOW TO PREVENT IT</b>
<ul style="list-style-type: none"> <li>Use of acids, toxic or corrosive chemicals, poisons, insecticides, or any kind of flammable solvent with this product could result in serious injury or death.</li> </ul>	<ul style="list-style-type: none"> <li>Do not use acids, gasoline, kerosene, or any other flammable materials in this product. Use only household detergents, cleaners and degreasers recommended for use in pressure washers.</li> <li>Wear protective clothing to protect eyes and skin from contact with sprayed materials.</li> </ul>

## HAZARD

**DANGER****RISK OF UNSAFE OPERATION**

WHAT CAN HAPPEN	HOW TO PREVENT IT
<ul style="list-style-type: none"> <li>Unsafe operation of your pressure washer could lead to serious injury or death to you or others.</li> </ul>	<ul style="list-style-type: none"> <li>Do not use chlorine bleach or any other corrosive compound.</li> <li>Become familiar with the operation and controls of the pressure washer.</li> <li>Keep operating area clear of all persons, pets, and obstacles.</li> <li>Do not operate the product when fatigued or under the influence of alcohol or drugs. Stay alert at all times.</li> <li>Never defeat the safety features of this product.</li> <li>Do not operate machine with missing, broken, or unauthorized parts.</li> <li>Never leave wand unattended while unit is running.</li> </ul>
<ul style="list-style-type: none"> <li><b>If proper starting procedure is not followed, engine can kickback causing serious hand and arm injury.</b></li> </ul>	<ul style="list-style-type: none"> <li><b>If engine does not start after two pulls, squeeze trigger of gun to relieve pump pressure. Pull starter cord slowly until resistance is felt. Then pull cord rapidly to avoid kickback and prevent hand or arm injury.</b></li> </ul>
<ul style="list-style-type: none"> <li>The spray gun/wand is a powerful cleaning tool that could look like a toy to a child.</li> </ul>	<ul style="list-style-type: none"> <li>Keep children away from the pressure washer at all times.</li> </ul>
<ul style="list-style-type: none"> <li>Reactive force of spray will cause gun/wand to move, and could cause the operator to slip or fall, or misdirect the spray. Improper control of gun/wand can result in injuries to self and others.</li> </ul>	<ul style="list-style-type: none"> <li>Do not overreach or stand on an unstable support. Grip gun/wand firmly with both hands. Expect the gun to kick when triggered.</li> </ul>

## HAZARD

**WARNING****RISK OF ELECTRICAL SHOCK**

WHAT CAN HAPPEN	HOW TO PREVENT IT
<ul style="list-style-type: none"> <li>Spray directed at electrical outlets or switches, or objects connected to an electrical circuit, could result in a fatal electrical shock.</li> </ul>	<ul style="list-style-type: none"> <li>Unplug any electrically operated product before attempting to clean it. Direct spray away from electric outlets and switches.</li> </ul>

## HAZARD

**WARNING****RISK OF HOT SURFACES**

WHAT CAN HAPPEN	HOW TO PREVENT IT
<ul style="list-style-type: none"> <li>Contact with hot surfaces, such as engines exhaust components, could result in serious burn.</li> </ul>	<ul style="list-style-type: none"> <li>During operation, touch only the control surfaces of the pressure washer. Keep children away from the pressure washer at all times. They may not be able to recognize the hazards of this product.</li> </ul>

**HAZARD**

**⚠ WARNING RISK OF INJURY FROM SPRAY**

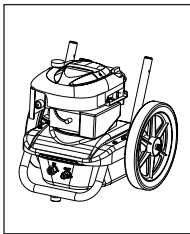


WHAT CAN HAPPEN	HOW TO PREVENT IT
<ul style="list-style-type: none"> <li>• High velocity fluid spray can cause objects to break, propelling particles at high speed.</li> <li>• Light or unsecured objects can become hazardous projectiles.</li> </ul>	<ul style="list-style-type: none"> <li>• Always wear ANSI approved Z87 safety glasses. Wear protective clothing to protect against accidental spraying.</li> <li>• Never point wand at, or spray people or animals.</li> <li>• Always secure trigger lock when wand is not in service to prevent accidental operation.</li> <li>• Never permanently secure trigger in pull back (open) position.</li> </ul>

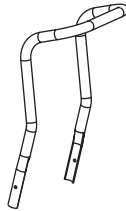
**⚠ CAUTION** The powerful spray from your pressure washer is capable of causing damage to surfaces such as wood, glass, automobile paint, auto striping and trim, and delicate objects such as flowers and shrubs. Before spraying, check the item to be cleaned to assure yourself that it is strong enough to resist damage from the force of the spray. Avoid the use of the concentrated spray stream except for very strong surfaces like concrete and steel.

Operating without flow of water will result in equipment damage. Operating the pressure washer with water supply shutoff will void your warranty. You should never run this pressure washer for more than 2 minutes without pulling the trigger to allow cool water to enter the pump and the heated (recirculated) water to exit.

**BOX CONTENTS**



Engine Frame and Wheel Assembly



Handle Part No. D22316

<p>English/ French Operator's Manual</p>	<p>Knobs Part No. 16471</p> <p>Saddle Bolts Part No. D23196</p>
<p>Allen Wrench Part No. 16797</p>	<p>Nozzle Cleaning Kit</p> <p>Cleaning Tool Part No. NCT001</p>

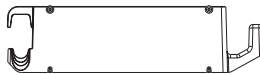
Bagged Parts



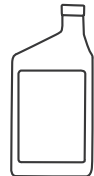
High Pressure Hose Part No. D22166



Chemical Hose Part No. H140



Accessories Panel Part No. D25081 with Screws Part No. D22901



Engine Oil



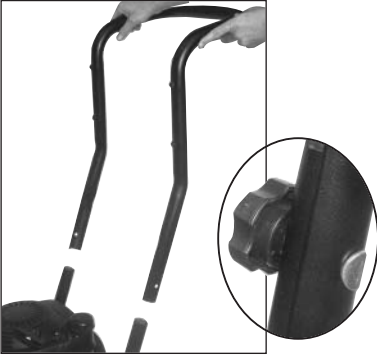
Spray Gun Part No. 17780



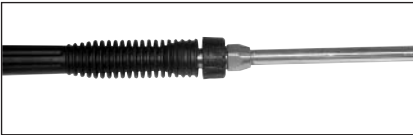
Multi-Adjustable Spray Wand Part No. D22837

## ASSEMBLY

1. Place handle assembly onto frame and connect handle to frame.  
**NOTE:** Knobs are assembled to inside of frame.



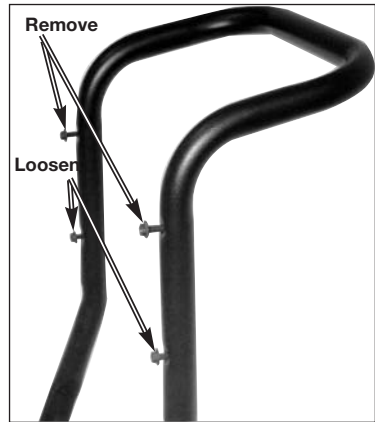
2. Connect wand to gun. Tighten securely.



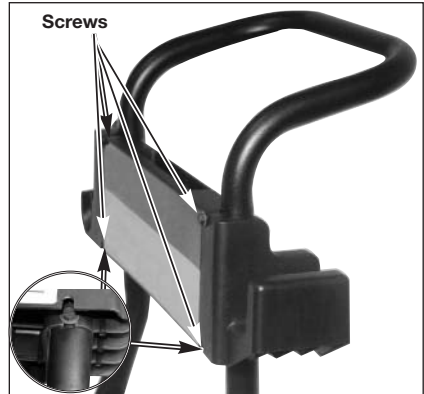
3. Attach high pressure hose to gun. Tighten securely.



5. To Assemble Accessories Panel
  - a. Remove top screws on handle assembly.
  - b. Loosen bottom screws on handle assembly.



- c. Place grooves in accessories panel assembly onto screws and slide panel assembly into place.



- d. Place screws (removed earlier) into the top holes and secure accessories panel assembly to handles. Do not overtighten.



# OPERATION

READ THIS OPERATION MANUAL AND SAFETY RULES BEFORE OPERATING YOUR UNIT. Compare the illustrations with your unit to familiarize yourself with the location of various controls and adjustments. Save this manual for future reference.



## PRESSURE WASHER

**High Pressure Pump (located inside the shroud):** Increases the pressure of the water supply.

**Engine:** Drives the high pressure pump.

**High Pressure Hose:** Carries the pressurized water from the pump to the gun and spray wand.

**Spray Gun:** Connects with spray wand to control water flow rate, direction, and pressure.

**Multi-Adjustable Spray Wand:** Has a spray nozzle which adjusts from a pencil stream (0°) to a wide angle fan spray (40°). The spray can be adjusted by twisting the nozzle clockwise and/or counterclockwise. Also, the high and low pressure settings can be controlled by moving the nozzle in and out. See How To Use Spray Wand paragraph in this section.

**Chemical Hose:** Feeds cleaning agents into the pump to mix with the pressurized water. See How To Apply Chemicals/Cleaning Solvents in Operation section of this manual.

## ENGINE

**Choke Control:** Opens and closes carburetor choke valve

**Throttle Control Lever:** Controls engine speed.

**Starter Grip:** Pulling starter grip operates recoil starter to crank engine.

**Fuel Valve Lever:** Opens and closes connection between fuel tank and carburetor.

# PRESSURE WASHER TERMINOLOGY

**PSI:** Pounds per Square Inch. The unit of measure for water pressure. Also used for air pressure, hydraulic pressure, etc.

**GPM:** Gallons Per Minute. The unit of measure for the flow rate of water.

**CU:** Cleaning Units. GPM multiplied by PSI.

**Bypass Mode:** In Bypass Mode, the pump is recirculating water because the trigger of the spray gun is not pulled. If unit is left in bypass mode for more than two (2) minutes, the water temperature will rise to a dangerous level and could damage internal components of the pump. Any damage to pump due to these causes will not be covered under warranty.

**CAUTION** **DO NOT allow your unit to operate in bypass mode for more than two minutes at any time. Overheating of pump can cause damage to pump.**

**Thermal Relief Valve:** In an effort to prevent extreme damage, pumps are equipped with a thermal relief valve. This valve will open when the temperature inside the pump rises too high. This valve will then release a gush of water in an effort to lower the temperature inside the pump. Immediately after this occurs, the valve will close. The thermal relief valve is part of the pump and is not visible to the user.

**Chemical Injection System:** Mixes cleaners or cleaning solvents with the water to improve cleaning effectiveness.

**Water Supply:** All pressure washers must have a source of water. The minimum requirements for a water supply are 20 PSI and 5 gallons per minute.

## HOW TO USE

**IMPORTANT:** Read and understand how to use the pressure washer before operating.

## TO ADJUST PRESSURE

The pressure setting is preset at the factory to achieve optimum pressure and cleaning. If you need to lower the pressure, it can be accomplished by these methods.

1. Back away from the surface to be cleaned. The further away you are, the less the pressure will be on the surface to be cleaned.
2. Rotate the nozzle at the end of the multi-adjustable spray wand to widen the fan spray. The wider fan spray will minimize the pressure on the surface to be cleaned.

**CAUTION** **DO NOT attempt to increase pump pressure. A higher pressure setting than the factory set pressure may damage pump.**

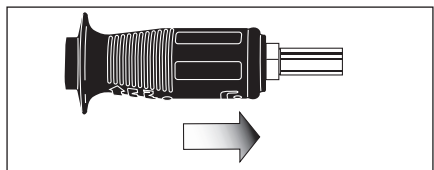
## HOW TO USE SPRAY WAND:

Your pressure washer is equipped with a multi-adjustable spray wand with both high and low pressure settings. The high pressure setting is for cleaning and rinsing, the low pressure setting is for applying chemicals or cleaning solutions to surfaces.

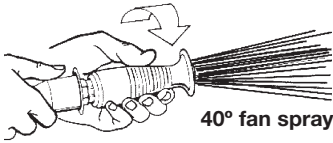
**DANGER** **When using the high pressure setting, DO NOT allow the jet-like spray to come in contact with unprotected skin, eyes, or with any pets or animals. Serious injury can occur.**

**WARNING** **Risk of injection or injury to person. DO NOT direct discharge stream toward persons.**

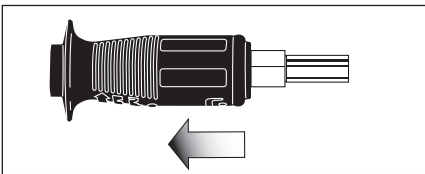
For high pressure operation, pull back the nozzle of the multi-adjustable spray wand as shown.



The nozzle at the end of the multi-adjustable spray wand can be rotated to change the high pressure spray pattern from a narrow jet to a 40° fan shape, as shown. Markings have been placed on the nozzle to help you select the spray pattern.



For low pressure operation, extend the nozzle of the multi-adjustable spray wand as shown.



## HOW TO APPLY CHEMICALS AND CLEANING SOLVENTS

Applying cleaning solutions is a low pressure operation. **NOTE:** Use only soaps and chemicals designed for pressure washer use. Do not use bleach.

1. Press chemical hose onto barbed fitting located near high pressure hose connection of pump as shown.




2. Place other end of chemical hose with filter on it into container holding chemical/cleaning solution. **NOTE:** The chemical/water ratio is 7:1, for every 7 gallons of water pumped 1 gallon of chemical/cleaning solution will be used.
3. Set multi-adjustable nozzle to low pressure setting. See How To Use Wand paragraph in this section.
4. After use of chemicals, place chemical hose into container of clean water and draw clean water through chemical injection system to rinse system thoroughly. If chemicals remain in the pump it could be damaged. Pumps damaged due to chemicals will not be covered under warranty.

**NOTE:** Chemicals and soaps will not siphon when spray wand is in the high pressure setting.

## TO SHUT DOWN

**IMPORTANT:** Read and understand how to shut down the pressure washer before operating.

1. If you have applied chemicals, place chemical hose into container of clean water and draw clean water through chemical injection system to rinse system thoroughly. **NOTE:** Failure to do so could cause damage to the pump.
2. Turn engine off by placing the throttle control in the OFF  position.

**NOTE:** NEVER turn the water off with the engine running.

3. Turn the fuel valve to the OFF position if engine will not be restarted soon.
4. Turn water source off.
5. Pull trigger on spray gun to relieve any water pressure in hose or spray gun.
6. See Storage section in this manual for proper storage procedures.

## BEFORE STARTING

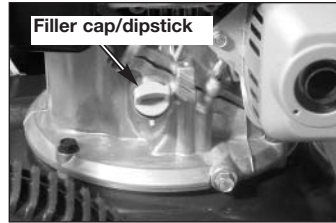
Read and understand all Important Safety Instructions in the front of this manual and the following Cautions and Warnings before starting the pressure washer.

### ⚠ WARNING

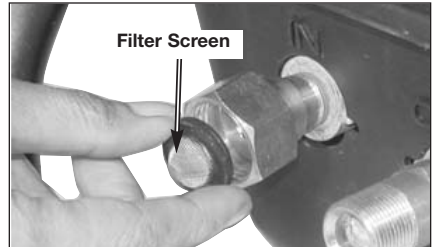
- Never fill fuel tank completely. Fill tank to 1/2" below bottom of filler neck to provide space for fuel expansion. Wipe any fuel spillage from engine and equipment before starting engine.
- Never fill fuel tank indoors. Never fill fuel tank when engine is running or hot. Do not smoke when filling fuel tank.
- Never run engine indoors or in enclosed, poorly ventilated areas. Engine exhaust contains carbon monoxide, an odorless and deadly gas.

### CAUTION

- Never turn water supply off while pressure washer engine is running or damage to pump will result.
  - DO NOT use hot water, use cold water only.
  - DO NOT stop spraying water for more than two minutes at a time.
1. In a well ventilated outdoor area add fresh, high quality, unleaded gasoline with a pump octane rating of 86 or higher. Do not overfill. Wipe up spilled fuel before starting the engine.
  2. Remove filler cap/dipstick and add engine oil (supplied) to engine. **NOTE:** There will be a slight amount of oil in the engine from factory testing. Always check oil level before each start-up.

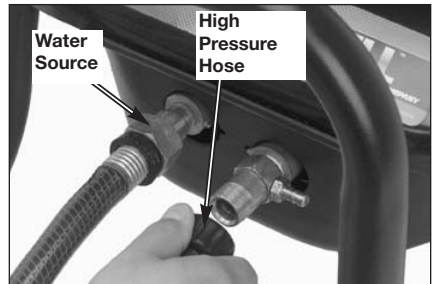


3. Verify the filter screen is in water inlet of pump. **NOTE:** Cone side faces out.





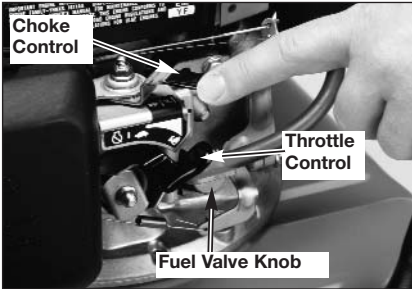
4. Connect high pressure hose to pump outlet.
5. Connect water source to pump inlet.

**NOTE:** Water source must provide a minimum of 5 gallons per minute at 20 p.s.i.



6. If you are applying a chemical or cleaning solution, See **How To Siphon Chemicals/Cleaning Solvents** in Operation section of this manual.
7. Turn water source on. **NOTE:** Failure to do so could cause damage to the pump.

8. Turn fuel valve to the ON position, 1/4 turn counterclockwise.
9. Move the choke control lever to the CHOKE ON  position and the throttle control to the FAST  position. **NOTE:** No choke is needed to start a warm engine.



10. Pull starter grip slowly until you feel resistance, then pull briskly. Return starter grip gently. Pull rope with a rapid full arm stroke. Let rope rewind slowly. Repeat if necessary.

**▲ WARNING** If the engine does not start after two pulls, pull the trigger to relieve the pressure.

11. If the choke was used to start the engine, move the choke lever to the OFF position.
12. Depress trigger on gun to start water flow. **NOTE: Stand on a stable surface** and grip gun/spray wand firmly with both hands. Expect the gun to kick back when triggered.
13. Release trigger to stop water flow.
14. Adjust nozzle spray for the task being performed. See **How To Use Spray Wand** instructions in this section.

**▲ WARNING** **DO NOT** let hoses come in contact with very hot engine muffler during or immediately after use of your pressure washer.

## MAINTENANCE

**▲ WARNING** When performing maintenance, you may be exposed to hot surfaces, water pressure, or moving parts that can cause serious injury or death! Before performing any maintenance or repair, disconnect spark plug wire, let engine cool and release all water pressure. The engine contains flammable fuel. **DO NOT** smoke or work near open flames while performing maintenance.

To ensure efficient operation and longer life of your pressure washer, a routine maintenance schedule should be prepared and followed. If the pressure washer is used in unusual conditions, such as high-temperatures or dusty conditions, more frequent maintenance checks will be required.

## CUSTOMER RESPONSIBILITIES TABLE

MAINTENANCE TASK	Before each use	Every 25 hours or yearly	Every 50 hours or yearly	Every 100 hours or yearly
<b>ENGINE</b>				
check oil level	X			
change oil			X	
check air filter		X		
clean/replace spark plug				X
<b>PRESSURE WASHER</b>				
check/clean inlet screen	X			
check high pressure hose	X			
check soap and chemical hose and filter	X			
check gun and wand for leaks	X			
prepare for storage	Prepare unit for storage if it is to remain idle for longer than 30 days			

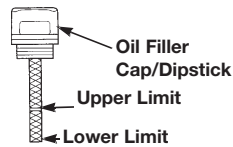
## ENGINE

### To Check Oil

1. Shut down engine and place on a level surface.
2. Remove filler cap/dipstick and wipe it clean.

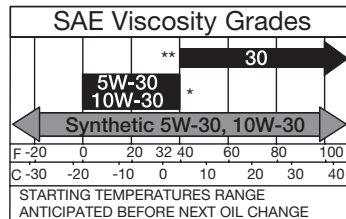


3. Insert and remove the filler cap/dipstick without screwing it into the filler neck. Check the oil level shown on the dipstick.



4. If the oil level is low, fill to the edge of the oil filler hole with the SAE 10W-30 oil.

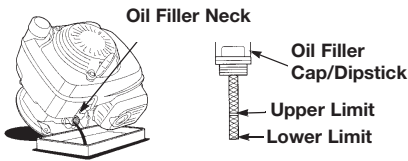
**NOTE:** Other viscosities shown in the chart may be used when the average temperature in your area is within the recommended range.



## To Change Oil

Drain the engine oil when the engine is warm. Warm oil drains quickly and completely.

1. Turn the fuel valve to the OFF position, 1/4 turn clockwise.
2. Place a suitable container next to the engine to catch the used oil.
3. Remove filler cap/dipstick and drain the oil into the container by tipping the engine toward the oil filler neck.



**NOTE:** Please dispose of used motor oil in a manner that is compatible with the environment. It is recommended to take used oil in a sealed container to your local recycling center or service station for reclamation. Do not throw it in the trash or pour it on the ground or down a drain.

4. With the engine in a level position, fill to the upper limit mark on the dipstick with SAE 10W-30 oil. Engine oil capacity is 0.58 quart (.055 liter). **NOTE:** Other viscosities shown in the chart in the "To Check Oil" paragraph may be used.
5. Replace the oil filler cap/dipstick securely.

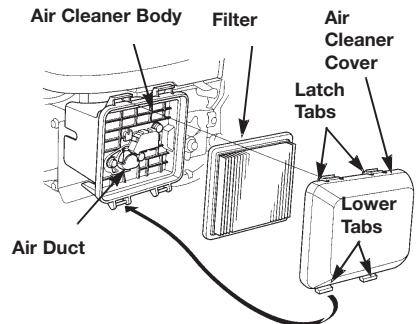
## Air Cleaner

A dirty air cleaner will restrict air flow to the carburetor and cause poor engine performance. Inspect the filter each time the engine is operated. Clean the filter more frequently if the engine is operated in very dusty areas.

**NOTICE:** Operating the engine without a filter, will allow dirt to enter the engine, causing rapid engine wear. This type of damage is not covered under the warranty.

### Inspect

1. Press the latch tabs on the top of the air cleaner cover and remove the cover. Check the filter to be sure it is clean and in good condition.
2. Reinstall the filter and air cleaner cover.

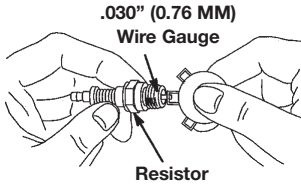


### Cleaning

1. Tap the filter several times on a hard surface to remove dirt or blow compressed air [not exceeding 30 psi (207kPa, 1.2 kg/cm<sup>2</sup>) through the filter from the clean side that faces the engine. Never try to brush off dirt. Brushing will force dirt into the fibers.
2. Wipe dirt from the air cleaner body and cover using a moist rag. Be careful to prevent dirt from entering the air duct that leads to the carburetor.

## Clean and Replace Spark Plug

Change the spark plug every 100 hours of operation or once each year, whichever comes first. This will help your engine to start easier and run better.

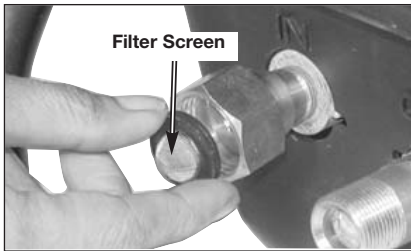


## PUMP

This screen filter should be checked periodically and cleaned if necessary.

1. Remove filter by grasping end and removing it from water inlet of pump as shown.
2. Clean filter by flushing it with water on both sides.
3. Re-insert filter into water inlet of pump. **NOTE:** Cone side faces out.

**NOTE:** Do not operate pressure washer without filter properly installed.



## WAND

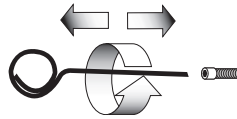
If the nozzle becomes clogged with foreign materials, such as dirt, excessive pressure may develop. If the nozzle becomes partially clogged or restricted, the pump pressure will pulsate. Clean the nozzle immediately using the nozzle kit supplied and the following instructions:

1. Shut off the pressure washer and turn off the water supply.
2. Disconnect spark plug wire.

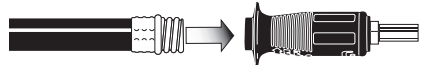
3. Pull trigger on gun handle to relieve any water pressure.
4. Disconnect the wand from the gun.
5. Remove the nozzle from the end of the wand with the 2mm allen wrench provided as shown.



6. Clean the nozzle using the nozzle cleaner provided or a straightened paper clip. Insert into the nozzle end and work back and forth until obstruction is removed.



7. Direct water supply into nozzle end to backflush loosened particles for 30 seconds.



8. Reconnect spark plug wire.
9. Reassemble the nozzle to the wand. Tighten securely to prevent leaks.
10. Reconnect wand to gun and turn on water supply.
11. Start pressure washer and place wand into high pressure setting to test.



# STORAGE

## ENGINE

**IMPORTANT:** It is important to prevent gum deposits from forming in essential fuel system parts such as the carburetor, fuel filter, hose or tank during storage. Also, experience indicates that alcohol-blended fuels (called gasohol or using ethanol or methanol) can attract moisture which leads to separation and formation of acids during storage. Acidic gas can damage the fuel system of an engine while in storage. To avoid engine problems, the fuel system should be emptied before storage of 30 days or longer. Never use engine or carburetor cleaner products in the fuel tank or permanent damage may occur.

### Engine Preparation

1. First add a fuel stabilizer to the fuel tank.
2. Run pressure washer for a full 5 minutes to allow fuel stabilizer to enter the fuel system.

**⚠ CAUTION** While preparing the engine make sure water supply is turned on and flowing to the unit. NEVER run unit without water supply running through pump. Failure to do so will cause pump damage.

3. Next shut off engine and disconnect the water supply.
4. Disconnect the spark plug wire and remove the spark plug.
5. Add one teaspoon of oil through the spark plug hole.
6. Place rag over spark plug hole and pull the recoil a few times to lubricate the combustion chamber.
7. Replace the spark plug, but do not connect the spark plug wire.

## PUMP

1. Drain all water from high pressure hose, coil it, and store it in cradle of the pressure washer handle.
2. Drain all water from spray gun and spray wand by holding spray gun in a vertical position with nozzle end pointing down and squeezing trigger. Store in gun/hose holder.
3. Store chemical hose, high pressure hose, spray gun, and spray wand so they are protected from damage, such as being run over.

It is recommended that you follow these steps to protect the internal seals of the pressure washer when **STORING THE UNIT FOR MORE THAN 30 DAYS AND/OR WHEN FREEZING**

**TEMPERATURES ARE EXPECTED.**

\*RV antifreeze needs to be run through the pump as outlined in the steps below.

4. Obtain a funnel, six ounces of \*RV antifreeze, and approximately 36 inches of garden hose with a male hose connector attached to one end.

**⚠ CAUTION** Use only RV antifreeze. Any other antifreeze is corrosive and can damage pump.



5. Disconnect spark plug wire.
6. Connect 36 inch length of hose to water inlet of pump.
7. Add \*RV antifreeze to hose as shown.

8. Pull engine starter rope slowly several times until antifreeze comes out of high pressure hose connection of pump.
9. Remove short hose from water inlet of pump.

10. Reconnect spark plug wire.

*\*Windshield washer fluid may also be used*

## TROUBLESHOOTING GUIDE

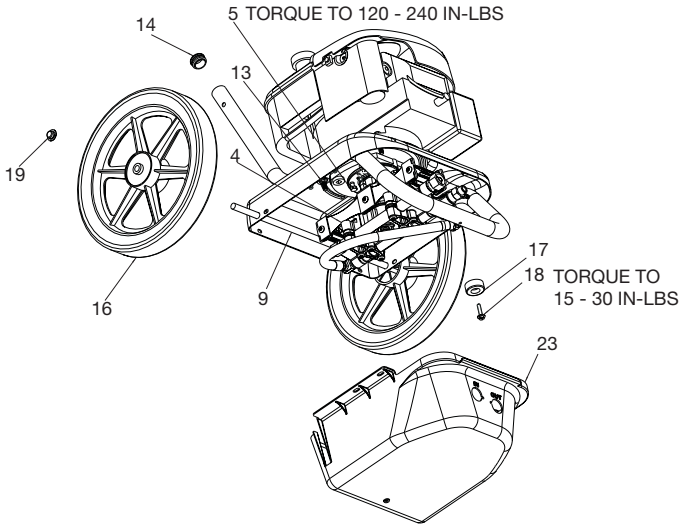
PROBLEM	CAUSE	CORRECTION
<b>Engine will not start</b>	<ol style="list-style-type: none"> <li>1. No fuel.</li> <li>2. Pressure builds up after two pulls on the recoil starter or after initial use.</li> <li>3. Choke lever in the "No Choke" position.</li> <li>4. Spark plug wire not attached.</li> <li>5. Choke lever in the "Choke" position on a "hot" engine or an engine that has been exposed to thermal heat for a long period of time.</li> <li>6. Fuel valve closed</li> </ol>	<ol style="list-style-type: none"> <li>1. Add Fuel.</li> <li>2. Squeeze gun trigger to relieve pressure.</li> <li>3. Move choke to the "Choke" position.</li> <li>4. Attach spark plug wire.</li> <li>5. Move choke to the "No Choke" position.</li> <li>6. Move the fuel valve knob to the "Open" position.</li> </ol>
<b>No or low pressure (initial use)</b>	<ol style="list-style-type: none"> <li>1. Wand not in high pressure.</li> <li>2. Low water supply.</li> <li>3. Leak at high pressure hose fitting.</li> <li>4. Nozzle obstructed.</li> <li>5. Water filter screen clogged.</li> </ol>	<ol style="list-style-type: none"> <li>1. See How to Use Spray Wand paragraph in the Operation Section.</li> <li>2. Water supply must be at least 5 GPM @ 20 PSI.</li> <li>3. Tighten. Apply sealant tape if necessary.</li> <li>4. See Spray Wand paragraph in the Maintenance section for the correct procedure.</li> <li>5. Remove and clean filter.</li> </ol>

<b>PROBLEM</b>	<b>CAUSE</b>	<b>CORRECTION</b>
<b>No or low pressure (initial use) (continued)</b>	6. Air in hose.	6. Turn off the engine, then the water source. Disconnect the water source from the pump inlet and turn the water source on to remove all air from the hose. When there is a steady stream of water present, turn water source off. Reconnect water source to pump inlet and turn on water source. Squeeze trigger to remove remaining air.
	7. Choke lever in the "Choke" position.	7. Move choke to the "No Choke" position.
	8. Throttle control lever is not in the "Fast" position.	8. Move throttle control lever to the "Fast" position.
	9. High pressure hose is too long.	9. Use high pressure hose under 100 feet.
<b>Will not draw chemicals</b>	1. Wand not in low pressure.	1. See Spray Wand paragraph in the Maintenance section for the correct procedure.
	2. Chemical filter clogged.	2. Clean filter.
	3. Chemical screen not in chemical	3. Insure end of chemical hose is fully submerged into chemical.
	4. Chemical too thick	4. Dilute chemical. Chemical should be the same consistency as water.
	5. Pressure hose is too long	5. Lengthen water supply hose instead of high pressure hose.
	6. Chemical build up in chemical injector.	6. Have parts cleaned or replaced by AWSC.

<b>PROBLEM</b>	<b>CAUSE</b>	<b>CORRECTION</b>
<b>No or low pressure (after period of normal use.)</b>	<ol style="list-style-type: none"> <li>1. Worn seal or packing.</li> <li>2. Worn or obstructed valves.</li> <li>3. Worn unloader piston.</li> </ol>	<ol style="list-style-type: none"> <li>1. Have replaced by AWSC.</li> <li>2. Have replaced by AWSC.</li> <li>3. Have replaced by AWSC.</li> </ol>
<b>Water leaking at gun/wand connection</b>	<ol style="list-style-type: none"> <li>1. Worn or broken o-ring.</li> <li>2. Loose hose connection.</li> </ol>	<ol style="list-style-type: none"> <li>1. Check and replace.</li> <li>2. Tighten.</li> </ol>
<b>Water leaking at pump</b>	<ol style="list-style-type: none"> <li>1. Loose connections.</li> <li>2. Piston packings worn.</li> <li>3. Worn or broken o-rings.</li> <li>4. Pump head or tubes damaged from freezing.</li> </ol>	<ol style="list-style-type: none"> <li>1. Tighten.</li> <li>2. Have replaced by AWSC.</li> <li>3. Have replaced by AWSC.</li> <li>4. Have replaced by AWSC.</li> </ol>
<b>Pump Pulsates</b>	<ol style="list-style-type: none"> <li>1. Nozzle obstructed.</li> </ol>	<ol style="list-style-type: none"> <li>2. See Spray Wand paragraph in the Maintenance section for the correct procedure.</li> </ol>

# REPAIR PARTS

Pressure Washer Model Number 919.672241

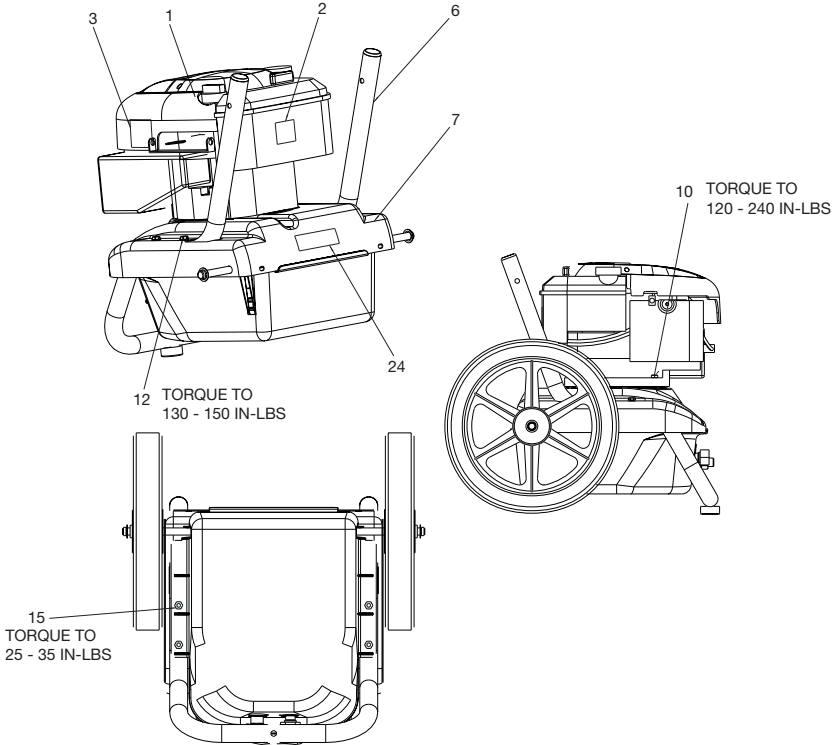


<b>Key#</b>	<b>Part #</b>	<b>Description</b>
4	*	Pump Kit
5	D27152	Screw, 5/16-24
9	D23099	Axle
13	16087	Nut, Flange
14	D22267	Plug
16	D21963	Wheel
17	D22268	Isolator
18	D23208	Screw, 1/4-20
19	W137	Pal Nut
23	D21630	Pump Shroud

\* See Breakdown for individual Parts

# REPAIR PARTS

## Pressure Washer Model Number 919.672241



<b>Key#</b>	<b>Part #</b>	<b>Description</b>
1	*	Engine, Honda GCV160A
2	17050	Label, Danger
3	D23125	Label, Hot Surface
6	D22908	Frame
7	D25074	Base
10	D22906	Screw, 5/16-18
12	D22308	Screw, 5/16-18
15	D22692	Nut, 5/16-18
24	D25087	Label, Warning

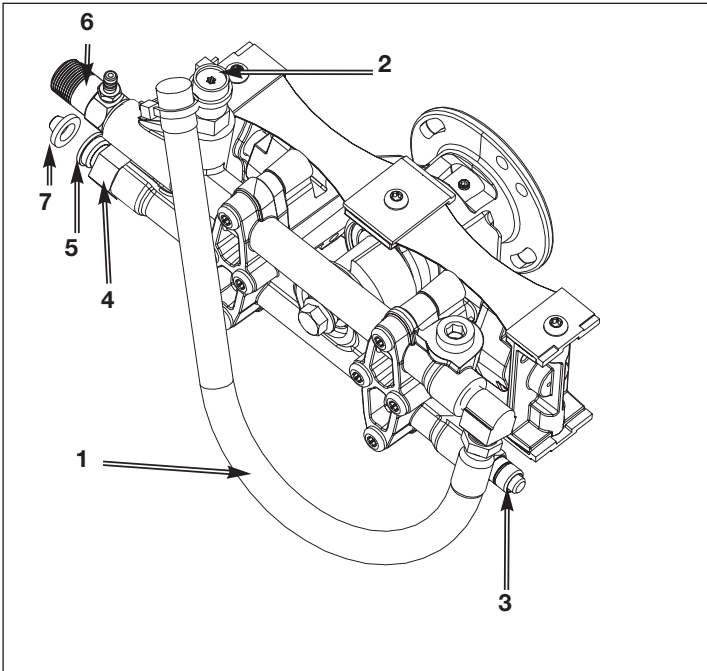
### **Not Shown**

D28235 Manual, Owners

\* See Breakdown for individual Parts

# REPAIR PARTS

## Pressure Pump Model Number D28703



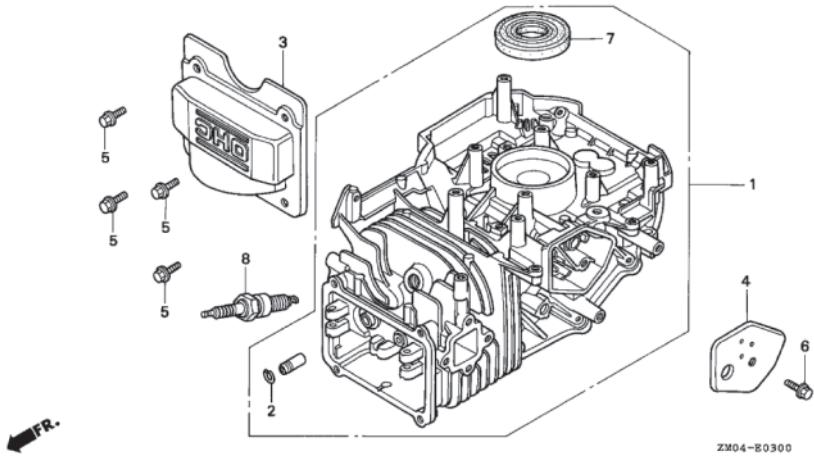
<b>Key#</b>	<b>Part #</b>	<b>Description</b>
1	D20998	Hose, 3/8 x 18"
2	16355	Unloader Assembly
3	16848	Thermal Relief Valve
4	H061	Swivel Nut, Garden Hose
5	H068	Swivel, 3/8"
6	V161	Chemical Injector
7	F187	Inlet ScreenFilter

**Not Shown:**  
H140 Chemical Hose,

# REPAIR PARTS

Honda Engine Model Number GCV160A

## CYLINDER BARREL



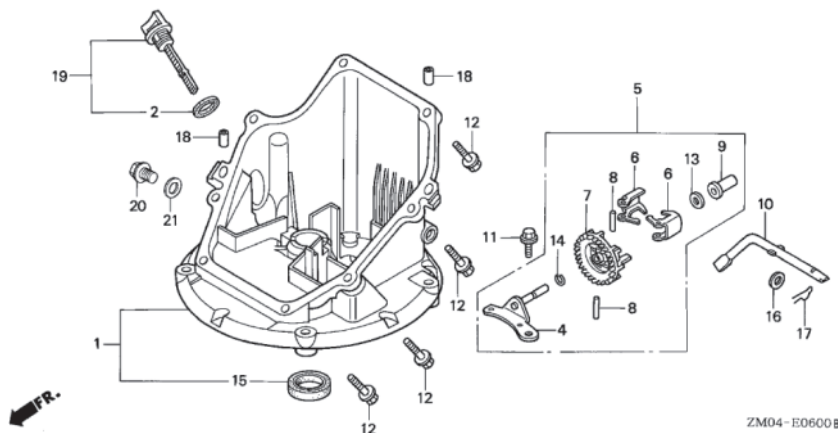
<b>Ref</b>	<b>Description</b>	<b>Part Number</b>	<b>H/C</b>	<b>Qty</b>
1	Cylinder Assembly	12000-ZL8-405	6315691	1
2	Clip, Valve Guide	12216-ZE5-300	2399780	1
3	Cover, Head	12311-ZL8-000	5579990	1
4	Cover, Breather (Breather Valve Assy)	12355-ZL8-000	5580006	1
5	Bolt, Flange (6x12) (CT200)	90013-883-000	0636845	4
6	Bolt, Flange (6x14)	90014-952-000	0803619	1
7	Oil Seal (25.4x62x6)	91201-ZL8-003	5581038	1
8	Spark Plug (BPR6ES)(NGK)	98079-56846	1441112	1



# REPAIR PARTS

## Honda Engine Model Number GCV160A

### OIL PAN



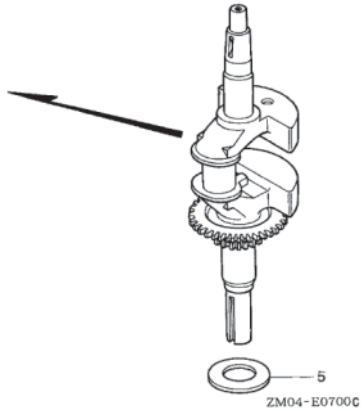
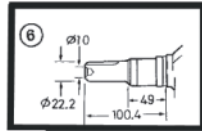
ZM04-E06008

Ref	Description	Part Number	H/C	Qty
1	Pan Assembly, Oil (SAE)	11300-ZOL-820	6696686	1
2	Gasket, Oil Filler Cap	15625-ZE1-003	4497947	1
4	Shaft, Governor Holder	16508-ZM0-010	6384341	1
5	Governor Assembly	16510-ZM0-010	6384333	1
6	Weight Governor	16511-ZL8-000	5580287	2
7	Holder, Governor Weight	16512-ZM0-000	5580295	1
8	Pin, Governor Weight	16513-ZE1-000	1427244	2
9	Slider, Governor	16531ZE1-000	1427251	1
10	Shaft, Governor Arm	16541-ZM0-000	5580303	1
11	Bolt, Flange (6x14)	90014-952-000	0803619	1
12	Bolt, Flange (6x25)	90121-952-000	0748111	8
13	Washer, Thrust (28x41.25x6)	90451-ZE1-000	2413862	1
14	Clip, Governor Holder	90602-ze1-000	2456697	1
15	Oil Seal (28x41.25x6)	91202-ZM0-V31	6315865	1
16	Washer, Plain (6mm)	94101-06800	0345900	1
17	Pin, Lock (8mm)	94251-08000	0115527	1
18	Pin, Dowel 98c20)	94301-08200	1417369	2
19	Gauge Assy., Oil Level	15650-ZM0-003	5722996	1
20	Bolt, Drain Plug	90131-896-650	1986231	1
21	Washer, Drain Plug	94109-12000	0171868	1

# REPAIR PARTS

Honda Engine Model Number GCV160A

## CRANKSHAFT



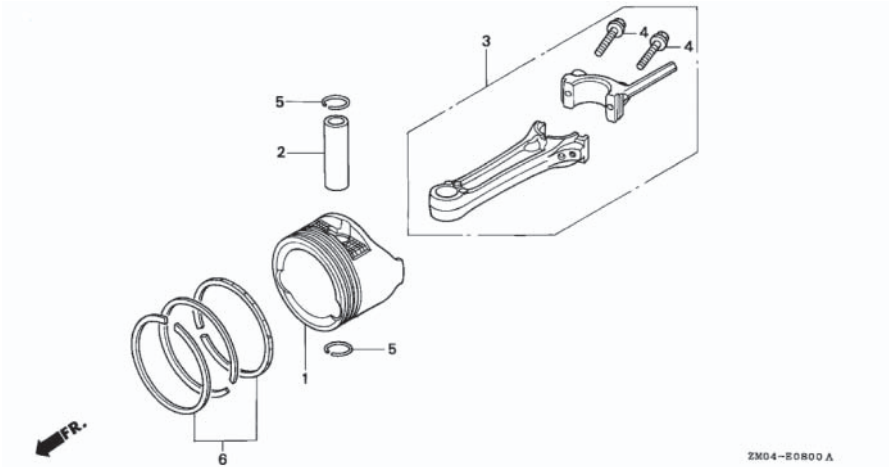
FR.

<u>Ref</u>	<u>Description</u>	<u>Part Number</u>	<u>H/C</u>	<u>Qty</u>
5	Washer, Thrust	90402-ZL8-000	5581012	1
6	Crankshaft	13310-Z0L-650	6696702	1

# REPAIR PARTS

Honda Engine Model Number GCV160A

## CRANKSHAFT

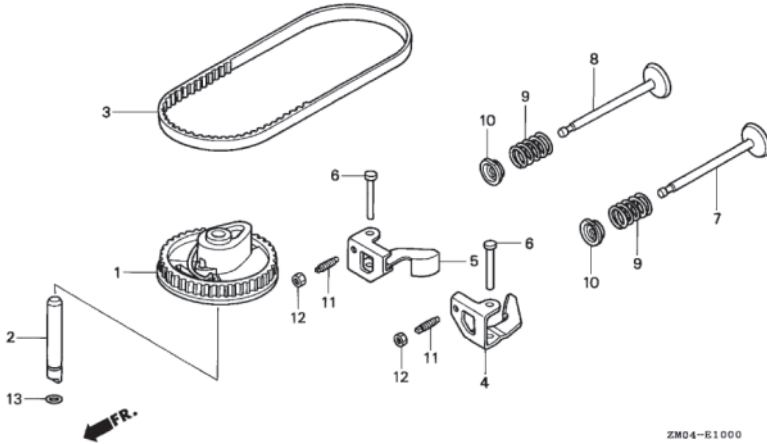


<b>Ref</b>	<b>Description</b>	<b>Part Number</b>	<b>H/C</b>	<b>Qty</b>
1	Piston	13101-ZL8-000	5580014	1
2	Pin, Piston	13111-ZE0-000	1426576	1
3	Rod Assy., Connecting	13200-ZL8-000	5580022	1
4	Bolt, Connecting Rod	90001-ZE1-000	1431055	2
5	Clip, Piston Pin (13mm)	90551-ZE0-000	2605517	2
6	Ring Set, Piston (TEIKOKU)	13010-ZL8-014	6315717	1

# REPAIR PARTS

Honda Engine Model Number GCV160A

## CRANKSHAFT PULLEY

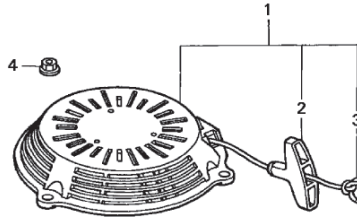


<b>Ref</b>	<b>Description</b>	<b>Part Number</b>	<b>H/C</b>	<b>Qty</b>
1	Pulley, Camshaft	14320-ZL8-000	5580055	1
2	Shaft, Cam Pulley	14324-ZL8-000	5580063	1
3	Belt, Timing (84HU7 G-200)	14400-Z0J-004	6637417	1
4	Arm, In. Valve Rocker	14431-ZL8-000	5580089	1
5	Arm, EX. Valve Rocker	14441-ZL8-000	5580097	1
6	Shaft, Rocker Arm	14461-ZL8-000	5580105	2
7	Valve, In.	14711-ZL8-000	5580113	1
8	Valve, Ex	14721-ZL8-000	5580121	1
9	Spring, Valve	14751-ZL8-000	5580139	2
10	Retainer, In. Valve Spring	14771-ZE1-000	1426980	2
11	Screw, Tappet Adj.	90012-333-000	0294819	2
12	Nut, Tappet Adj.	90206-001-000	0004598	2
13	O-Ring (6.8x1.9)	91301-ZM0-V31	6315873	1

# REPAIR PARTS

Honda Engine Model Number GCV160A

## CRANKSHAFT PULLEY



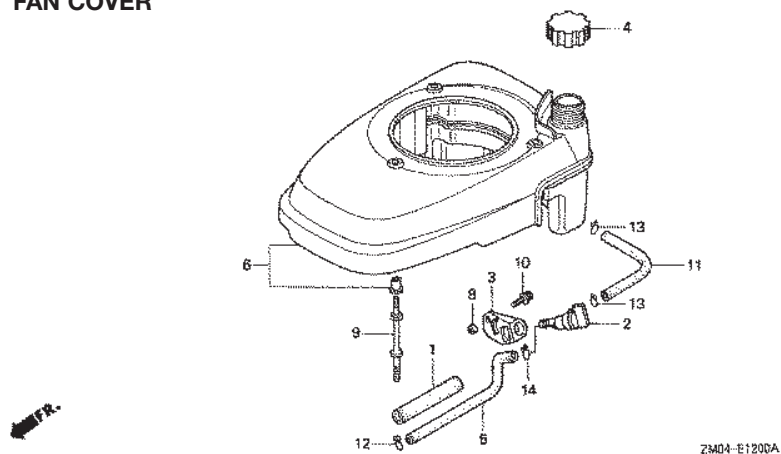
ZM04-E1100 A

<b>Ref</b>	<b>Description</b>	<b>Part Number</b>	<b>H/C</b>	<b>Qty</b>
1	Starter Assy., Recoil *NH1* (black)	28400-ZL8-013ZA	6061204	1
2	Knob, Recoil Starter	28461-ZL8-003	5580634	1
3	Rope, Recoil Starter	28462-ZL8-003	5611454	1
4	Nut, Flange (6mm)	90201-ZM0-000	6478812	3

# REPAIR PARTS

Honda Engine Model Number GCV160A

## FAN COVER

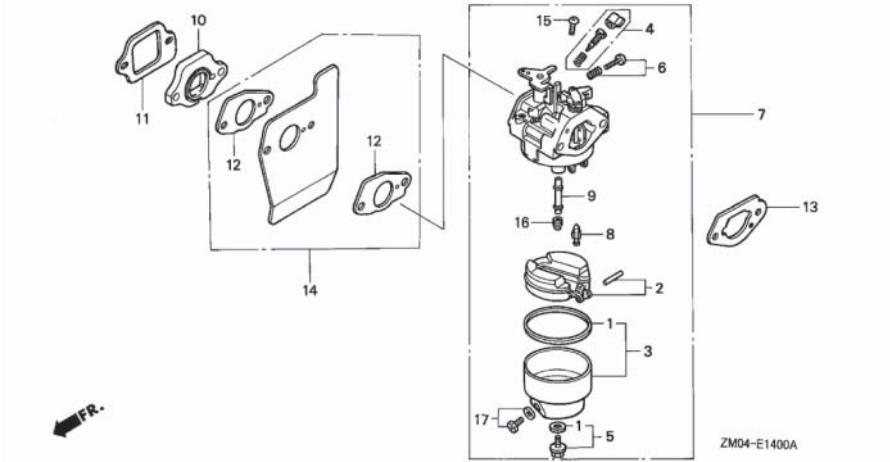


Ref	Description	Part Number	H/C	Qty
1	Rubber, Supporter (107mm)	16854-ZH8-000	3683646	1
2	Petcock Assy. (MAN)	16950-ZG9-M02	5028923	1
3	Bracket, Petcock	16956-ZM0-000	5580394	1
4	Cap Assy., Fuel Tank	17620-ZL8-013	6673289	1
5	Tube, Fuel	17702-ZM0-000	5580469	1
6	Cover, Fan *NH1*(black)	19610-ZM0-010ZA	6132989	1
8	Collar, Fr. Turn Signal	33600-GK4-620	2499440	1
9	Bolt, Stud	90043-ZL8-000	5581004	3
10	Screw-Washer (5x10)	93891-05010-08	0671636	1
11	Bulk Hose, Fuel (5.5x800) (5.5x150)	95001-55008-40M	2449593	1
12	Clip, Tube (B8)	95002-02080	0250647	1
13	Clip, Tube (B10)	95002-02100	0250985	2
14	Clip, Tube (C9)	95002-50000	0053447	1

# REPAIR PARTS

Honda Engine Model Number GCV160A

## CARBURETOR

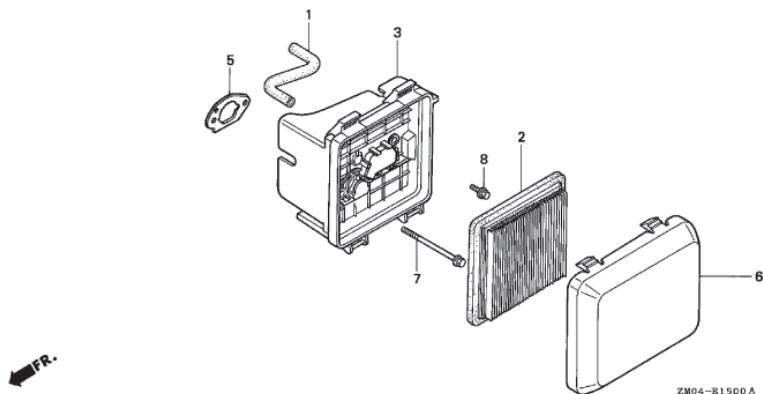


<u>Ref</u>	<u>Description</u>	<u>Part Number</u>	<u>H/C</u>	<u>Qty</u>
1	Gasket Set	16010-883-015	3088416	1
2	Float Set	16013-ZL1-003	5580162	1
3	Chamber Set, Float	16015-887-782	3465879	1
4	Screw Set	16016-ZG0-W00	4481818	1
5	Screw Set B	16028-ZE0-005	1441518	1
6	Screw Set	16029-ZG0-901	5580170	1
7	Carburetor Assembly (BB62B D)	16100-ZM0-803	6212849	1
8	Valve, Float	16155-ZM0-003	5580212	1
9	Nozzle, Main	16166-ZM0-003	5580220	1
10	Insulator, Carburetor	16211-ZL8-000	5580238	1
11	Gasket, Insulator	16212-ZL8-000	5580246	1
12	Gasket, Carburetor	16221-883-800	4581120	2
13	Gasket, Carburetor (Choke Side)	16228-ZL8-000	5580253	1
14	Guide, Air	19650-ZM0-000	5580535	1
15	Screw, Pan (5x6)	93500-05006-0H	0639419	1
16	Jet, Main (#60)	99101-124-0600	0635474	1
	Jet, Main (#62)	99101-124-0620	0635482	1
	Jet, Main (#65)	99101-124-0650	0636126	1
17	Screw Set, Drain	16024-ZE1-811	1672187	1

# REPAIR PARTS

Honda Engine Model Number GCV160A

## AIR CLEANER



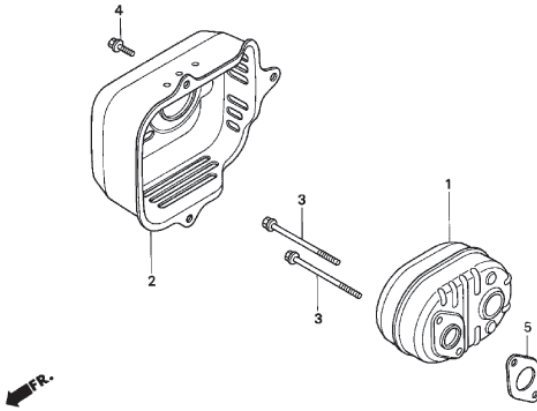
<b>Ref</b>	<b>Description</b>	<b>Part Number</b>	<b>H/C</b>	<b>Qty</b>
1	Tube Breather	15721-ZM0-000	5580154	1
2	Element, Air Cleaner	17211-ZL8-000	5580402	1
3	Case Assembly, Air Cleaner	17220-ZM0-000	5580410	1
5	Gasket, Air Cleaner	17228-ZM0-000	5664560	1
6	Cover, Air Cleaner	17231-X0L-000	6673255	1
7	Bolt, Flange (6x86) (CT200)	90003-Z0L-000	5580964	2
8	Bolt, Flange (6x14)	95701-06014-08	2374742	1



# REPAIR PARTS

Honda Engine Model Number GCV160A

## MUFFLER



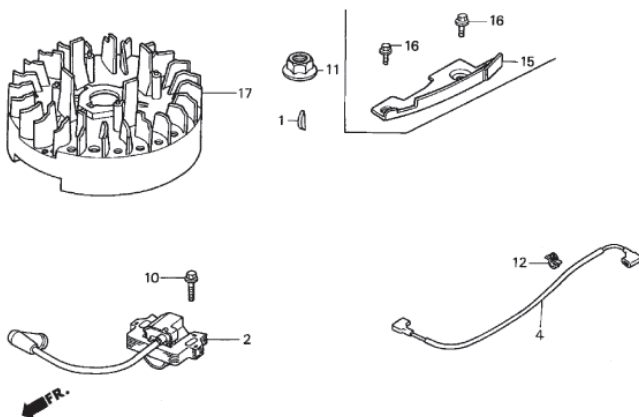
ZM04-E1600A

<b>Ref</b>	<b>Description</b>	<b>Part Number</b>	<b>H/C</b>	<b>Qty</b>
1	Muffler	18310-ZM0-000	5580485	1
2	Protector, Muffler	18321-ZL8-000	5580501	1
3	Bolt, Flange (6x79) (CT200)	90004-ZL8-000	5580972	2
4	Bolt, Flange (6x12) (CT200)	90013-883-000	0636845	3
5	Gasket, Muffler	18381-ZL8-305	5737457	1

# REPAIR PARTS

Honda Engine Model Number GCV160A

## FLYWHEEL



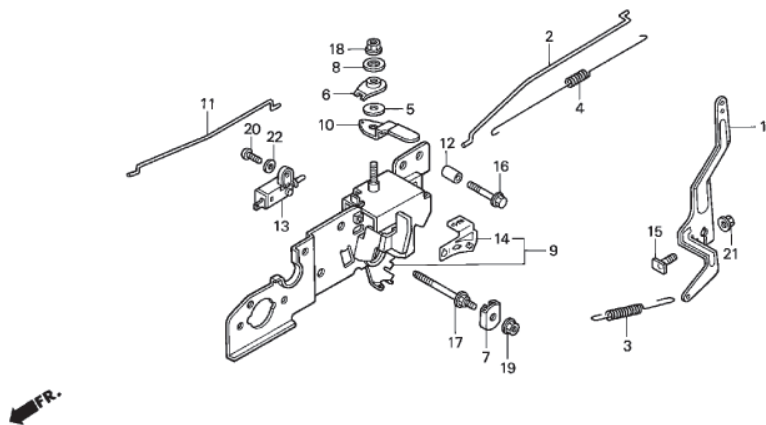
ZM04-E19008

<b>Ref</b>	<b>Description</b>	<b>Part Number</b>	<b>H/C</b>	<b>Qty</b>
1	Key, Special Woodruff (25x18)	13331-357-000	0348433	1
2	Coil Assembly, Ignition	30500-ZL8-004	5580659	1
4	Wire, Stop Watch	32195-ZM0-800	6315816	1
10	Bolt, Flange (6x20) (CT200)	90022-888-010	0671552	1
11	Nut, Special (14MM)	90201-878-003	0442038	1
12	Clip, Cable (A)	90681-959-003	1824630	1
15	Plate Side	19612-ZM0-000	6315782	1
16	Bolt, Flange (6x12) (CT200)	90013-883-000	0636845	2
17	Flywheel	31110-ZL8-004	5656053	1

# REPAIR PARTS

Honda Engine Model Number GCV160A

## CONTROL (2)



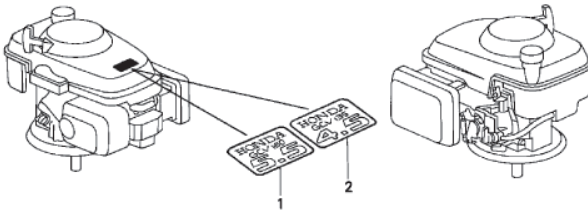
ZM04-E2201

<u>Ref</u>	<u>Description</u>	<u>Part Number</u>	<u>H/C</u>	<u>Qty</u>
1	Arm, Governor	16551-ZM0-000	5580311	1
2	Rod, Governor	16555-ZM0-000	5580329	1
3	Spring, Governor	16561-ZM0-V30	6315725	1
4	Spring, Throttle Return	16562-ZM0-000	5580352	1
5	Spring, Lever	16574-ZE1-000	1427384	1
6	Washer, Control Lever	16575-ZE2-W00	3678679	1
7	Plate, Lever Center	16577-ZM0-V30	6315741	1
8	Spacer, Control Lever	16578-ZE1-000	1427400	1
9	Base Control	16580-ZM0-V30	6315758	1
10	Lever, Choke	16612-ZM0-V30	6315766	1
11	Rod, Choke	16674-ZM0-V30	6315774	1
12	Collar (9.2x15x20.5)	91501-ZM0-V30	6363733	1
13	Switch Assembly, Engine Stop (N.0)	35120-ZL8-003	5611520	1
14	Mark, Throttle Indication	87532-ZM0-V30	6315832	1
15	Bolt, Governor Arm	90015-ZE5-010	2418671	1
16	Bolt, Flange (6x32)	90017-883-000	0636076	1
17	Bolt, Special (6x45)	90016-ZM0-V30	6315840	1
18	Nut, Self-Lock (6MM)	90114-SA0-000	1410182	1
19	Nut, Self-Lock (5MM)	90136-SM4-901	3596095	1
20	Screw-Washer (4x12)	93892-04012-000	0485946	1
21	Nut, Flange (6MM)	94050-06000	0471623	1
22	Washer, Plain (4MM)	94103-04000	1510361	1

# REPAIR PARTS

Honda Engine Model Number GCV160A

## LABELS



ZM04-E2800g

<b>Ref</b>	<b>Description</b>	<b>Part Number</b>	<b>H/C</b>	<b>Qty</b>
1	Mark, Emblem (5.5)	87101-ZM0-000	5580865	1

## TABLE DES MATIÈRES

GARANTIE .....	37
TABLEAU DES SPÉCIFICATIONS .....	38
MESURES DE SÉCURITÉ – DÉFINITIONS .....	38
RENSEIGNEMENTS SUR LA SÉCURITÉ DU CONSOMMATEUR .....	38
MESURES DE SÉCURITÉ IMPORTANTES .....	39-42
CONTENU DE LA BOÎTE .....	42
ASSEMBLAGE .....	43
UTILISATION .....	44-48
ENTRETIEN .....	48-51
ENTREPOSAGE .....	52-53
GUIDE DE DÉPANNAGE .....	53-55
PIÈCES DE RECHANGE .....	56-71
COMMANDE DES PIÈCES DE RECHANGE .....	Couverture arrière

## GARANTIE

### GARANTIE COMPLÈTE DE UN AN SUR LES LAVEUSES À PRESSION

Si cette laveuse à pression arrête de fonctionner à cause d'un défaut de fabrication ou de main-d'œuvre dans une période d'un an à compter de la date d'achat, RETOURNEZ-LA AU CENTRE DE SERVICE APRÈS-VENTE SEARS LE PLUS PROCHE AU CANADA ET SEARS LA RÉPARERA SANS FRAIS.

Si cette laveuse à pression est utilisée à des fins commerciales ou comme appareil de location, la garantie ne s'applique que pour une période de quatre-vingt-dix (90) jours à compter de la date d'achat.

Cette garantie sur la laveuse à pression de Craftsman vous donne des droits particuliers. Il se peut que vous ayez d'autres droits qui varient d'une province à l'autre.

**Sears Canada, Inc., Toronto, Ont. M5B 2B8**

## TABLEAU DES SPÉCIFICATIONS

N° de modèle	919.672241
Laveuse à pression	
Pression	2 400 lb/po <sup>2</sup>
Débit	2,2 gal./min
Unités de nettoyage (gal./min x lb/po <sup>2</sup> )	5 280
Moteur	
Tr./min	3 600
Puissance nominale en chevaux	5,5
Écartement de la bougie d'allumage	0,030 po (0,76 mm)
Capacité du réservoir à carburant	0,29 gallon (1,1 litre)
Capacité d'huile : 0,58 pinte (0,55 litre)	SAE 30

## MESURES DE SÉCURITÉ - DÉFINITIONS

Ce guide contient des renseignements importants que vous devez bien saisir. Cette information porte sur **VOTRE SÉCURITÉ** et sur **LA PRÉVENTION DE PROBLÈMES D'ÉQUIPEMENT**. Afin de vous aider à identifier cette information, nous avons utilisé les symboles ci-dessous. Veuillez lire attentivement ce guide en portant une attention particulière à ces symboles.

<b>▲ DANGER</b> Indique un danger imminent qui, s'il n'est pas évité, <b>causera de graves blessures ou la mort.</b>	<b>▲ MISE EN GARDE</b> Indique la possibilité d'un danger qui, s'il n'est pas évité, <b>peut causer des blessures mineures ou moyennes.</b>
<b>▲ AVERTISSEMENT</b> Indique la possibilité d'un danger qui, s'il n'est pas évité, <b>pourrait causer de graves blessures ou la mort.</b>	<b>MISE EN GARDE</b> Sans le symbole d'alerte. Indique la possibilité d'un danger qui, s'il n'est pas évité, <b>peut causer des dommages à la propriété.</b>

## RENSEIGNEMENTS SUR LA SÉCURITÉ DU CONSOMMATEUR

**▲ AVERTISSEMENT** Il se peut que ce produit ne soit pas équipé d'un silencieux à pare-étincelles. Si le produit n'en est pas équipé, et s'il est utilisé près de matériaux inflammables ou sur de la terre couverte de produits agricoles, forêts, broussailles, gazon ou autres articles semblables, un pare-étincelles approuvé doit être posé, et est exigé par la loi en Californie. Selon la section 130050 de la loi de la Californie, et les sections 4442 et 4443 du Code sur les ressources publiques de la Californie, ce produit ne peut pas être utilisé en Californie, à moins que le moteur ne soit équipé d'un pare-étincelles, tel que décrit dans la section 4442, et à moins que l'appareil ne soit maintenu en bon état de fonctionnement. Des pare-étincelles sont également requis sur certaines terres forestières des États-Unis et peuvent être exigés légalement sous certains autres lois et arrêtés.



**▲ AVERTISSEMENT** Les gaz d'échappement du moteur contiennent des produits chimiques qui, dans certaines quantités, peuvent causer le cancer, les anomalies congénitales ou d'autres maux de reproduction.


# MESURES DE SÉCURITÉ IMPORTANTES

## ⚠ AVERTISSEMENT

Lisez le Guide de l'utilisateur. Ne tentez pas d'utiliser cet appareil avant d'avoir lu les directives sur la sécurité, l'assemblage, l'utilisation et l'entretien de ce Guide de l'utilisateur.

**LISEZ ET CONSERVEZ CES INSTRUCTIONS**

<b>DANGER</b>	
<b>⚠ DANGER RISQUE D'EXPLOSION OU D'INCENDIE</b>	
<b>RISQUE</b>	<b>PRÉVENTION</b>
<ul style="list-style-type: none"> <li>L'essence répandue par déversement et les vapeurs qui en émanent risquent de s'enflammer en présence d'étincelles provenant d'une cigarette allumée, d'un arc électrique, de gaz d'échappement et de pièces chaudes du moteur, telles que le silencieux.</li> <li>La chaleur peut causer l'expansion de carburant dans le réservoir pouvant aboutir à un déversement et provoquer un incendie ou une explosion.</li> <li>Le fait d'utiliser la laveuse à pression dans un milieu explosif peut aboutir à un incendie.</li> <li>Des matières placées contre ou à proximité de la laveuse à pression peuvent nuire à une ventilation adéquate provoquant ainsi une surchauffe et un risque d'inflammation de ces matières.</li> <li>La chaleur des gaz d'échappement du silencieux peut endommager les surfaces peintes, faire fondre des matériaux sensibles à la chaleur (tels que le revêtement d'extérieur, le plastique, le caoutchouc et le vinyle) et endommager les plantes.</li> <li>Un entreposage inapproprié du carburant peut causer une inflammation accidentelle. Le carburant qui n'est pas rangé de façon sécuritaire peut tomber entre les mains d'un enfant ou autres personnes non compétentes.</li> <li>L'utilisation d'acides, de produits chimiques toxiques ou corrosifs, de poisons, d'insecticides ou de toute sorte de solvant inflammable dans ce produit pourrait provoquer des blessures graves ou la mort.</li> </ul>	<div style="text-align: right;">   </div> <ul style="list-style-type: none"> <li>Couper le moteur et le laisser refroidir avant d'ajouter de carburant au réservoir.</li> <li>Prendre des précautions lors du remplissage du réservoir pour éviter le déversement de carburant. Placer la laveuse à pression loin du lieu de remplissage avant de démarrer le moteur.</li> <li>Maintenir le niveau maximal de carburant à environ 13mm (1/2 po) du haut du réservoir afin de permettre l'expansion de l'essence.</li> <li>Faire le plein et utiliser l'équipement dans un endroit bien aéré et libre de toutes obstructions. Équiper ces lieux d'extincteurs appropriés pour combattre les incendies comprenant à base d'essence.</li> <li>Ne jamais faire fonctionner la laveuse à pression dans un endroit comprenant des herbes ou buissons secs.</li> <li>Toujours garder la laveuse à pression à une distance minimum de quatre pieds 1,2 m (4 pieds) des surfaces qui pourraient être endommagées par les gaz d'échappement du silencieux (telles que les maisons, automobiles ou plantes).</li> <li>Placer le carburant dans un contenant approuvé par l'OSHA et le ranger dans un lieu sûr, loin de l'aire de travail.</li> <li>Ne pas vaporiser des liquides inflammables.</li> </ul>

<b>DANGER</b>	
<b>⚠ DANGER RISQUE PAR INHALATION</b>	
<b>RISQUE</b>	<b>PRÉVENTION</b>
<ul style="list-style-type: none"> <li>L'inhalation des émanations d'échappement peut causer de graves blessures ou la mort !.</li> <li>Certains nettoyeurs liquides contiennent des substances pouvant causer des lésions à la peau, aux yeux et aux poumons.</li> </ul>	<div style="text-align: right;">  </div> <ul style="list-style-type: none"> <li>Utiliser la laveuse à pression dans un endroit bien aéré. Éviter les endroits clos tels que les garages, sous-sols, etc.</li> <li>Ne jamais utiliser l'appareil dans un endroit occupé par d'autres personnes ou des animaux.</li> <li>N'utiliser que des liquides de nettoyage recommandés pour des laveuses à pression. Suivre les recommandations du fabricant. Ne pas utiliser d'eau de Javel ou tout autre produit corrosif.</li> </ul>

**DANGER****RISQUE DE BLESSURES ET DE DOMMAGES À LA PROPRIÉTÉ  
PENDANT LE TRANSPORT OU L'ENTREPOSAGE****RISQUE****PRÉVENTION**

- Des fuites ou des déversements de carburant ou d'huile peuvent se produire et entraîner des risques d'incendie ou des problèmes aux voies respiratoires, des blessures graves ou la mort. Des fuites de carburant ou d'huile endommagent les tapis, la peinture et d'autres surfaces dans les véhicules et les remorques.
- Si la laveuse à pression est munie d'une soupape d'arrêt, tourner la soupape à la position fermée avant le transport pour éviter tout risque de fuite. Si l'appareil n'est pas muni d'une soupape d'arrêt, vidanger le carburant du réservoir avant le transport. Ne transporter le carburant que dans des contenants approuvés par l'OSHA. Pour le transport, toujours placer la laveuse à pression sur un tapis protecteur pour éviter l'endommagement du véhicule par des fuites. Retirer la laveuse à pression du véhicule immédiatement à l'arrivée.

**DANGER****RISQUE D'INJECTION D'UN FLUIDE****RISQUE****PRÉVENTION**

- La laveuse à pression fonctionne à une pression et à une vitesse suffisamment élevées pour faire pénétrer le fluide dans la peau de personnes ou d'animaux et causer des blessures graves ou la nécessité d'une amputation. Une fuite causée par des raccords relâchés ou usés ou par un boyau endommagé peut aboutir à une blessure par injection. NE PAS TRAITER L'INJECTION D'UN FLUIDE COMME UNE SIMPLE COUPEURE ! Consulter immédiatement un médecin !
- On risque de subir des blessures si la pression du système n'est pas diminuée avant de tenter tout entretien ou démontage.
- Ne jamais placer la main devant la buse.
- Diriger le jet de vaporisation loin de soi et d'autrui.
- S'assurer que le boyau et les raccords sont bien serrés et en bon état. Ne jamais se cramponner au boyau ou aux raccords lors de l'utilisation de l'appareil.
- Éviter tout contact du boyau avec le silencieux.
- Ne jamais mettre ni enlever les raccords de la lance ou du boyau lorsque l'appareil est pressurisé.
- Pour dégager la pression de l'appareil, couper le moteur, couper l'alimentation d'eau et enfoncer la détente du pistolet jusqu'à ce que l'eau arrête de s'écouler.
- N'utiliser qu'un boyau et des accessoires à haute pression classés pour un service nominal plus élevé que la puissance nominale (lb/pc<sup>2</sup>) de l'appareil.

**DANGER****RISQUE DE BRÛLURES CHIMIQUES****RISQUE****PRÉVENTION**

- L'utilisation d'acides, de produits chimiques toxiques ou corrosifs, de poisons, d'insecticides ou de toute sorte de solvant inflammable dans ce produit pourrait provoquer des blessures graves ou la mort.
- Ne pas utiliser d'acides, d'essence, de kérosène ou toute autre matière inflammable avec cet appareil. N'employer que des détergents, nettoyeurs ou dégraisseurs d'entretien ménager qui sont recommandés pour une utilisation avec une laveuse à pression.
- Porter un équipement et des vêtements de protection pour se protéger les yeux et la peau contre tout contact avec des matières vaporisées.



**DANGER****▲ DANGER****RISQUE D'UNE UTILISATION NON SÉCURITAIRE**

<b>RISQUE</b>	<b>PRÉVENTION</b>
<ul style="list-style-type: none"> <li>• Une utilisation de la laveuse à pression qui n'est pas conforme aux mesures de sécurité peut causer de graves blessures ou la mort de l'utilisateur ou d'autres personnes.</li> </ul>	<ul style="list-style-type: none"> <li>• Ne pas utiliser d'eau de Javel ou tout autre produit corrosif.</li> <li>• S'habituer au fonctionnement et aux commandes de la laveuse à pression.</li> <li>• Garder toutes les personnes non autorisées, les animaux domestiques et les obstacles loin de l'aire de vaporisation.</li> <li>• Ne pas utiliser l'appareil lorsque vous êtes fatigué ou sous l'effet de boissons alcooliques ou de drogues. Restez alerte à tout moment.</li> <li>• Ne jamais contourner un dispositif de sécurité de cet appareil.</li> <li>• Ne jamais utiliser un appareil auquel il manque des pièces, qui comprend des pièces brisées ou non autorisées par le fabricant.</li> <li>• Ne jamais s'éloigner de la lance lorsque l'appareil est en marche.</li> </ul>
<ul style="list-style-type: none"> <li>• Si la procédure de démarrage appropriée n'est pas suivie, le moteur peut provoquer des contre-coups et causer des blessures graves aux mains ou aux bras.</li> </ul>	<ul style="list-style-type: none"> <li>• Si le moteur ne démarre pas après deux essais, appuyer sur la détente du pistolet afin de dégager la pression de la pompe. Tirer lentement sur le cordon de démarrage jusqu'à ce qu'on sente une résistance. Tirer ensuite rapidement sur le cordon pour éviter les contre-coups et les blessures aux mains ou aux bras.</li> </ul>
<ul style="list-style-type: none"> <li>• Le pistolet/la lance de vaporisation est un outil de nettoyage puissant qui peut ressembler à un jouet aux yeux d'un enfant.</li> </ul>	<ul style="list-style-type: none"> <li>• Garder les enfants éloignés de la laveuse à pression à tout moment.</li> </ul>
<ul style="list-style-type: none"> <li>• La force de rétroaction du jet fait déplacer le pistolet/la lance et peut faire glisser ou tomber l'utilisateur ou provoquer un changement de direction du jet. Une mauvaise maîtrise du pistolet/de la lance peut causer des blessures à l'utilisateur ou à d'autres personnes.</li> </ul>	<ul style="list-style-type: none"> <li>• Ne pas trop éloigner le pistolet du corps et ne pas se tenir sur une surface instable. Saisir le pistolet/la lance fermement avec les deux mains. S'attendre à ressentir un contre-coup lors du déclenchement.</li> </ul>

**DANGER****▲ AVERTISSEMENT****RISQUE DE CHOCS ÉLECTRIQUES**

<b>RISQUE</b>	<b>PRÉVENTION</b>
<ul style="list-style-type: none"> <li>• Une vaporisation dirigée vers des prises de courant, des interrupteurs ou des objets branchés sur un circuit électrique peut causer des chocs électriques mortels.</li> </ul>	<ul style="list-style-type: none"> <li>• Débrancher tout appareil électrique avant de tenter de le nettoyer. Diriger le jet de vaporisation loin de toutes prises de courant et interrupteurs.</li> </ul>

**DANGER****▲ AVERTISSEMENT****RISQUE DE SURFACES CHAUDES**

<b>RISQUE</b>	<b>PRÉVENTION</b>
<ul style="list-style-type: none"> <li>• Le contact avec les surfaces chaudes, telles que les pièces d'échappement du moteur, peut provoquer des brûlures graves.</li> </ul>	<ul style="list-style-type: none"> <li>• Durant le fonctionnement de l'appareil, ne toucher qu'aux surfaces de commande de la laveuse à pression. Garder les enfants loin de la laveuse à pression en tout temps. Les enfants ne sont pas nécessairement capables de reconnaître les dangers que comporte cet appareil.</li> </ul>

**DANGER****AVERTISSEMENT****RISQUE DE BLESSURES PAR VAPORISATION****RISQUE**

- Un fluide vaporisé à haute vitesse peut causer le bris d'objets et la propulsion de particules à vitesse élevée.
- Les objets légers ou qui ne sont pas fixés peuvent devenir de dangereux projectiles.

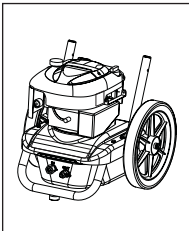
**PRÉVENTION**

- Toujours porter des lunettes de sécurité Z87 homologuées par l'ANSI. Porter des vêtements de protection pour se protéger contre toute vaporisation accidentelle.
- Ne jamais vaporiser ni pointer la lance en direction de personnes ou d'animaux.
- Toujours s'assurer que la détente est verrouillée lorsque la lance n'est pas utilisée afin de prévenir toute mise en marche accidentelle.
- Ne jamais fixer la détente en position enfoncée (ouverte) de façon permanente.

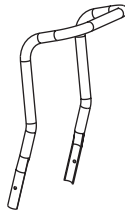
**MISE EN GARD**

Le puissant jet de la laveuse à pression est capable d'endommager les surfaces fragiles telles que le bois, le verre, la peinture d'automobiles, les garnitures d'auto ainsi que les objets délicats tels que les fleurs et arbustes. Avant de vaporiser, vérifiez l'objet à nettoyer afin de vous assurer qu'il est assez robuste pour résister à la puissance du jet sans subir de dommages. Évitez d'utiliser le jet à débit concentré sauf pour des surfaces très résistantes telles que le béton ou l'acier.

Le fait de faire fonctionner l'appareil sans alimentation d'eau endommagera l'appareil. L'utilisation de l'appareil sans alimentation d'eau annulera la garantie. Vous ne devez jamais faire fonctionner l'appareil plus de deux (2) minutes sans appuyer sur la détente du pistolet afin de permettre à l'eau fraîche d'entrer dans la pompe et à l'eau chauffée (recirculée) d'en sortir.

**CONTENU DE LA BOÎTE**

Ensemble de châssis de moteur avec roues



Poignée  
n° de pièce D22316

Guide de l'utilisateur en anglais et français



Boutons n° de pièce 16471

Boutons de selle n° de pièce D23196



Trousse de nettoyage de la buse

Clé Allen - no de pièce 16767  
Outil de nettoyage - n° de pièce NCT001

Pièces dans un sac



Boyau à haute pression  
n° de pièce D22166



Boyau de produit chimique  
n° de pièce H140



Tableau d'accessoires  
n° de pièce D25081  
avec vis - n° de pièce D22901



Huile à moteur



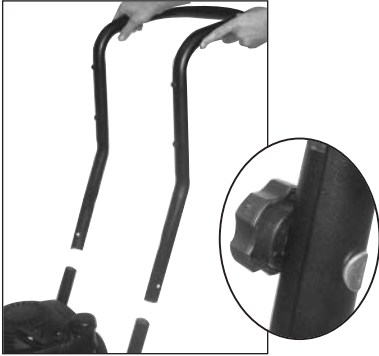
Pistolet de vaporisation  
n° de pièce 17780



Lance de vaporisation à réglages multiples  
n° de pièce D22837

## ASSEMBLAGE

1. Placez l'ensemble de poignée sur le châssis et attachez la poignée au châssis. **REMARQUE : Les boutons doivent être assemblés à l'intérieur du châssis.**



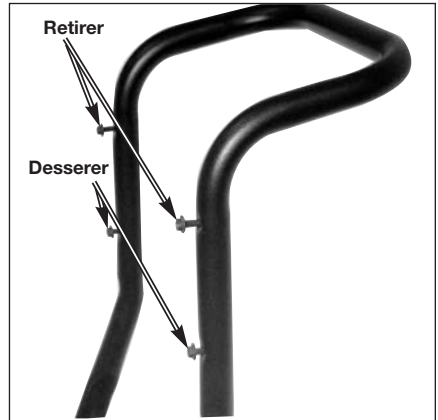
2. Attachez la lance au pistolet et bien serrer.



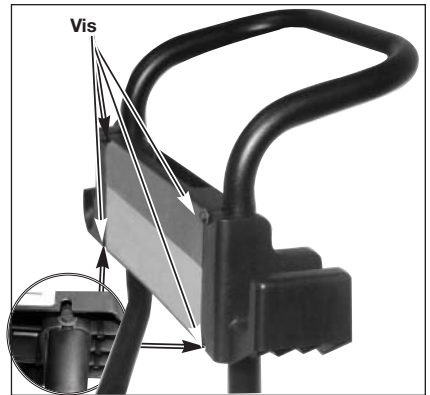
3. Attachez le boyau à haute pression au pistolet et bien serrer.



4. Assemblage du tableau d'accessoires:
  - a. Retirez les vis supérieures de l'ensemble de poignée.
  - b. Desserrez les vis inférieures de l'ensemble de poignée.



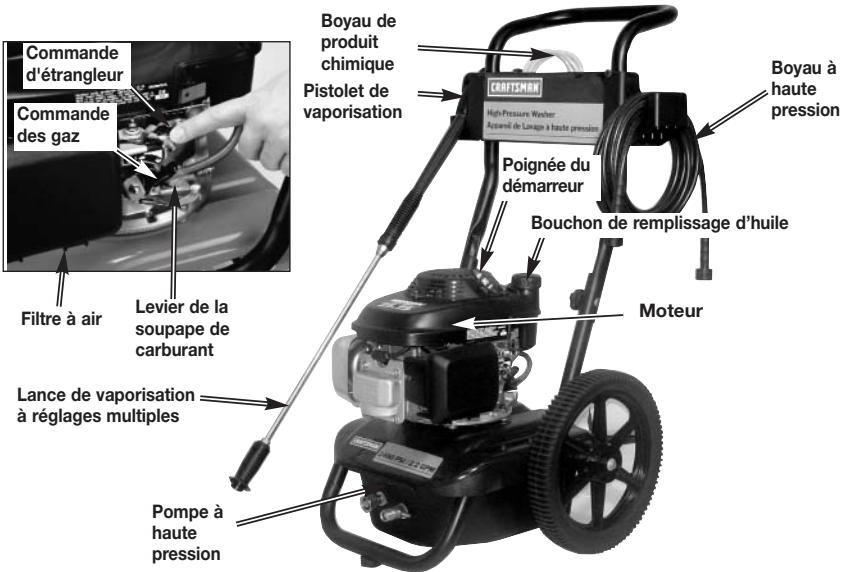
- c. Positionnez les rainures du tableau d'accessoires sur les vis et mettez le tableau en place.



- d. Insérez les vis (retirées plus tôt) dans les trous supérieures et fixez le tableau d'accessoires sur les poignées. Ne pas trop serrer.

# UTILISATION

LISEZ CE GUIDE DE L'UTILISATEUR ET TOUTES LES MESURES DE SÉCURITÉ AVANT D'UTILISER CET APPAREIL. Comparez les illustrations avec votre appareil afin de vous familiariser avec l'emplacement des commandes et des réglages. Conservez ce guide pour les références futures.



## LAVEUSE ÀPRESSION

**Pompe à haute pression** (située à l'intérieur du bouclier) : Augmente la pression de la source d'eau.

**Moteur** : Entraîne la pompe à haute pression.

**Boyet à haute pression** : Achemine l'eau sous pression de la pompe vers le pistolet et la lance de vaporisation.

**Pistolet de vaporisation** : S'attache à la lance pour régler le débit d'eau, la direction et la pression.

**Lance à réglages multiples** : Comporte une buse de vaporisation réglable d'un jet de l'épaisseur d'un crayon (0°) jusqu'à un jet en éventail à angle large (40°). Le réglage de la vaporisation est effectué en tournant la buse dans le sens des aiguilles d'une montre ou dans le sens contraire. De plus, le réglage de haute ou de basse pression s'effectue en tirant la buse vers l'intérieur ou en la poussant vers l'extérieur. Voir le paragraphe intitulé " Utilisation de la lance " de cette section.

**Boyet de produit chimique** : Alimente les agents de nettoyage dans la pompe pour les mélanger avec l'eau sous pression. Voir le paragraphe " Application des produits chimiques/solvants de nettoyage " de la section " Utilisation " de ce guide.

## MOTEUR

**Commande d'étrangleur** : Ouvre et ferme la soupape de l'étrangleur dans le carburateur.

**Levier de commande des gaz** : Commande la vitesse du moteur.

**Poignée du démarreur** : Tirer sur la poignée du démarreur fait fonctionner le lanceur à rappel pour démarrer le moteur.

**Levier de la soupape de carburant** : Ouvre et ferme la connexion entre le réservoir de carburant et le carburateur.

## TERMINOLOGIE DES LAVEUSES À PRESSION

**lb/po<sup>2</sup>** : livres par pouce carré. Une unité de mesure de pression d'eau. Également utilisé pour la pression d'air, la pression hydraulique, etc.

**GPM** : Gallons par minute. L'unité de mesure du débit d'eau.

**CU** : Unités de nettoyage. gal./min x lb/po<sup>2</sup>.

**Mode de dérivation** : En mode de dérivation, la pompe recircule simplement l'eau car la détente du pistolet de vaporisation n'est pas tirée. Si l'appareil demeure en mode de dérivation pendant plus de deux (2) minutes, la température de l'eau augmentera jusqu'à un niveau dangereux et endommagera des composantes internes de la pompe. Les dommages à la pompe causés par une telle situation ne sont pas couverts par la garantie.

**MISE EN GARDE** **NE faites PAS fonctionner votre appareil en mode de dérivation pendant plus de deux minutes à la fois. Toute surchauffe de la pompe entraînera des dommages à la pompe.**

**Soupape de décharge thermique** : Afin d'empêcher des dommages, les pompes sont équipées d'une soupape de décharge thermique. Cette soupape s'ouvrira lorsque la température à l'intérieur de la pompe devient trop élevée. Elle dégagera alors un jet d'eau afin d'abaisser la température à l'intérieur de la pompe et se refermera toute suite après. La soupape de décharge thermique constitue une partie de la pompe et elle n'est pas visible pour l'utilisateur.

**Injection d'un produit chimique** : Mélange les nettoyants et les solvants de nettoyage avec l'eau pour améliorer l'efficacité de nettoyage.

**Source d'eau** : Tous les appareils de lavage sous pression ont besoin d'une source d'eau. Les exigences minimums pour la source d'eau sont de 20 lb/po<sup>2</sup> et de 5 gallons (19 litres) à la minute.

## UTILISATION

**IMPORTANT** : Lisez attentivement la section sur l'utilisation de la laveuse à pression avant d'utiliser l'appareil.

## RÉGLAGE DE LA PRESSION

La pression est préréglée à l'usine afin d'obtenir une pression ainsi qu'un nettoyage optimums. La pression peut être diminuée de deux façons différentes.

1. Éloignez-vous de la surface à nettoyer. Plus vous êtes éloigné, moins sera la pression sur la surface à nettoyer.
2. Réduisez la vitesse du moteur à essence (tr/min). Lorsque la vitesse du moteur est réduite, la pression d'eau est diminuée aussi.

**▲ MISE EN GARDE** **NE tentez PAS d'augmenter la pression de la pompe. Une pression plus élevée que celle réglée à l'usine peut endommager la pompe.**

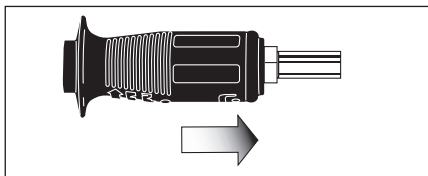
## UTILISATION DE LA LANCE

Votre laveuse à pression est équipée d'une lance à réglages multiples avec positions de haute et de basse pression. La position de haute pression est utilisée pour le nettoyage et le rinçage et la position de basse pression est utilisée pour l'application de produits chimiques ou de solutions de nettoyage sur une surface.

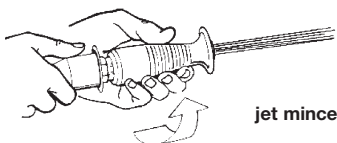
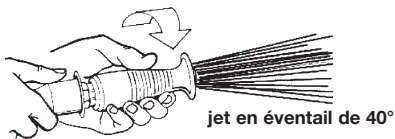
**▲ DANGER** **Lorsque l'appareil est réglé pour une vaporisation à haute pression, ne dirigez jamais le jet de vaporisation vers la peau nue, les yeux ou vers tout animal domestique ou autre. Cela risque de provoquer des blessures graves.**

**▲ AVERTISSEMENT** **Risque d'injection ou de blessures corporelles. Ne dirigez pas le jet de vaporisation vers d'autres personnes.**

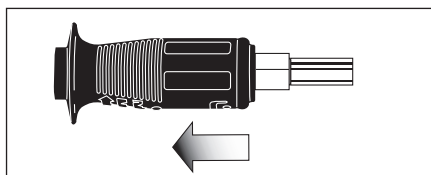
Pour la vaporisation à haute pression, tirez vers l'arrière la buse de la lance à réglages multiples, tel qu'illustré.



La buse à l'extrémité de la lance à réglages multiples peut être tournée pour changer le jet de vaporisation à haute pression d'un jet mince jusqu'à un jet en éventail de 40°, tel qu'illustré. Les marques sur la buse vous aideront à choisir le type de jet désiré.



Pour la vaporisation à basse pression, poussez la buse de la lance à réglages multiples vers l'avant, tel qu'illustré.

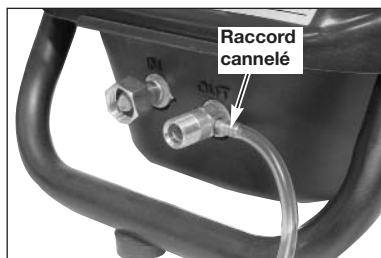


### APPLICATION DES PRODUITS CHIMIQUES/SOLVANTS DE NETTOYAGE

L'application des solutions de nettoyage devrait être effectuée à basse pression.

**REMARQUE :** Utilisez seulement des savons ou des produits chimiques qui sont conçus spécialement pour une laveuse à pression. Ne pas utiliser de l'eau de Javel.

1. Poussez le boyau de produit chimique dans le raccord cannelé, près du point de connexion du boyau à haute pression de la pompe, tel qu'illustré.




2. Placez l'autre extrémité du boyau de produit chimique (l'extrémité avec le filtre) dans le contenant avec le produit chimique/solution de nettoyage.
 

**REMARQUE :** Le rapport de produit chimique/eau devrait être 7 à 1. Pour 7 gallons d'eau pompée, 1 gallon de produit chimique/solution de nettoyage sera utilisé.
3. Réglez la buse à réglages multiples à la position de basse pression. Voir le paragraphe intitulé « **Utilisation de la lance** » de cette section.
4. Après avoir utilisé un produit chimique, placez le boyau de produit chimique dans un récipient d'eau propre et aspirez de l'eau propre à travers le système d'injection de produit chimique pour bien rincer le système. Si les produits chimiques restent dans la pompe, celle-ci pourrait être endommagée. Les pompes endommagées par un produit chimique ne sont pas couvertes par la garantie.

**REMARQUE :** Les produits chimiques et savons ne peuvent pas être siphonnés lorsque la lance est réglée à la position de haute pression.

### ARRÊT DE LA LAVEUSE À PRESSION

**IMPORTANT :** Lisez attentivement comment arrêter la laveuse à pression avant de l'utiliser.

1. Si vous avez appliqué des produits chimiques, placez le boyau de produit chimique dans un récipient d'eau propre et aspirez de l'eau propre à travers le système d'injection de produit chimique pour bien rincer le système. **REMARQUE :** Si vous n'exécutez pas cette étape, cela risque d'endommager la pompe.
2. Arrêtez le moteur en plaçant la commande des gaz à la position d'arrêt « OFF ». 

**REMARQUE :** NE fermez JAMAIS le robinet d'eau lorsque le moteur tourne.

3. Placez la soupape de carburant à la position d'arrêt « OFF » si vous n'avez pas l'intention de redémarrer le moteur bientôt.
4. Fermez le robinet de la source d'eau.
5. Appuyez sur la détente du pistolet de vaporisation pour dégager toute pression d'eau dans le boyau ou dans le pistolet.
6. Consultez la section sur l'entreposage de ce guide pour connaître les procédures d'entreposage appropriées.

## AVANT LE DÉMARRAGE

Lisez attentivement toute la section intitulée « Mesures de sécurité importantes » au début de ce guide, ainsi que les mises en garde et avertissements suivants, avant de démarrer la laveuse à pression.

### ▲ AVERTISSEMENT

- Ne jamais remplir le réservoir à carburant jusqu'au bout. Remplissez-le jusqu'à ½ po en dessous du bas du culot de remplissage afin de permettre l'expansion du carburant. Essayez tout carburant versé sur le moteur ou sur l'appareil avant de démarrer le moteur.
- Ne remplissez jamais le réservoir à carburant à l'intérieur ni lorsque le moteur est en marche. Ne jamais fumer en remplissant le réservoir à carburant.
- Ne mettez jamais le moteur en marche à l'intérieur ou dans un espace fermé sans aération adéquate. Les gaz d'échappement du moteur contiennent du monoxyde de carbone, un gaz inodore et mortel.

### MISE EN GARDE

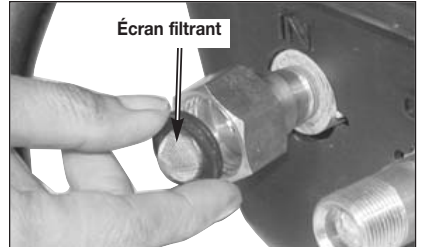
- Ne fermez jamais le robinet de la source d'eau lorsque le moteur de l'appareil de lavage sous pression est en marche puisque cela risque d'endommager la pompe.
  - N'utilisez PAS d'eau chaude. Utilisez seulement de l'eau froide.
  - N'arrêtez PAS de vaporiser pendant plus de deux minutes à la fois.
1. Ajouter de l'essence pure, sans plomb, de haute qualité et ayant un indice d'octane de 86 ou plus. Ne pas trop remplir. Essayez l'essence déversée avant de démarrer le moteur.
  2. Retirez le bouchon de remplissage/jauge d'huile et ajoutez de l'huile à moteur (fournie) au moteur. **REMARQUE :** Une petite quantité d'huile a été versée dans le moteur pour effectuer les essais à l'usine. Vérifiez toujours le niveau d'huile avant le démarrage.

Bouchon de remplissage/jauge d'huile



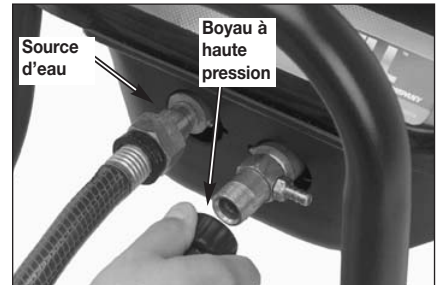
3. Assurez-vous que l'écran filtrant est dans l'orifice d'entrée d'eau de la pompe, tel qu'illustré. **REMARQUE :** Le côté conique doit être dirigé vers l'extérieur.

Écran filtrant



4. Attachez le boyau à haute pression à la sortie de la pompe.
5. Branchez la source d'eau à l'orifice d'entrée de la pompe.

**REMARQUE :** La source d'eau doit fournir un





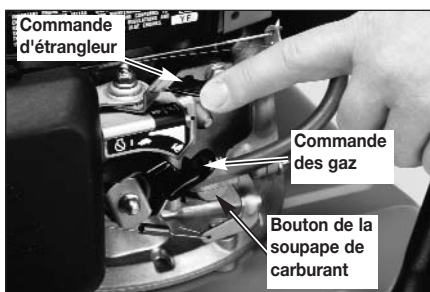
**minimum de 5 gallons par minute à 20 lb/po<sup>2</sup>.**

6. Si vous appliquez un produit chimique ou une solution de nettoyage, consultez le paragraphe intitulé « Siphonnage de produits chimiques/solvants de nettoyage » de la section sur l'utilisation de ce guide.
7. Ouvrez le robinet de la source d'eau.

**REMARQUE :** Assurez-vous que le robinet de

### la source d'eau est ouvert.

- Placez la soupape de carburant à la position de marche « ON » en tournant un quart de tour dans le sens inverse des aiguilles d'une montre.
- Placez le levier de commande d'étrangleur à la position « CHOKE ON »  et la commande des gaz à la position rapide « FAST »  **REMARQUE :** L'étrangleur n'est pas nécessaire pour démarrer un moteur chaud.



- Tirez lentement la prise du démarreur jusqu'à ce que vous sentiez une résistance et tirez brusquement ensuite. Relâchez doucement la prise du démarreur. Tirez le cordon en effectuant un mouvement rapide et complet du bras. Laissez le cordon s'enrouler lentement. Répétez au besoin.

### **⚠ AVERTISSEMENT**

Si le moteur ne démarre pas après deux essais, appuyez sur la détente afin de dégager la pression.

- Si vous avez utilisé la commande d'étrangleur lors du démarrage, remplacez le levier d'étrangleur à la position d'arrêt « OFF ».
- Appuyez sur la détente du pistolet pour commencer la vaporisation d'eau. **REMARQUE :** Tenez-vous sur une surface stable et saisissez le pistolet/la lance fermement avec les deux mains. Attendez-vous à ressentir un contre-coup lors du déclenchement.
- Relâchez la détente pour l'arrêter.
- Réglez le jet de vaporisation de la buse pour correspondre à la tâche à effectuer. Consultez les directives intitulées « Utilisation de la lance » de cette section.

### **⚠ AVERTISSEMENT**

**NE laissez PAS les boyaux entrer en contact avec le silencieux du moteur qui est extrêmement chaud, lors de l'utilisation de la laveuse à pression ou tout de suite après.**

## ENTRETIEN

### **⚠ DANGER**

En effectuant l'entretien, vous pouvez être exposé à des surfaces chaudes, à l'eau sous pression ou à des pièces en mouvement qui peuvent causer des blessures graves ou la mort ! Avant d'effectuer tout entretien ou toute réparation, débranchez le fil de la bougie d'allumage, attendez jusqu'à ce que le moteur soit refroidi et dégagez toute la pression d'eau. Le moteur contient du carburant inflammable. **NE FUMEZ PAS** et ne travaillez pas près d'une flamme nue en effectuant l'entretien.

Afin d'assurer le bon fonctionnement et une durée de vie prolongée de votre laveuse à pression, vous devez préparer et suivre un calendrier d'entretien régulier. Si votre laveuse à pression est utilisée dans un environnement défavorable, tel qu'à des températures élevées ou des conditions poussiéreuses, les vérifications d'entretien doivent être exécutées plus souvent.



## TABLEAU DES RESPONSABILITÉS DU CLIENT

TACHE D'ENTRETIEN	Avant chaque utilisation	Toutes les 25 heures ou annuellement	Toutes les 50 heures ou annuellement	Toutes les 100 heures ou annuellement
<b>MOTEUR</b>				
Vérification du niveau d'huile	X			
Changement de l'huile moteur			X	
Vérification du filtre à air		X		
Nettoyage/remplacement de la bougie d'allumage				X
<b>LAVEUSE À PRESSION</b>				
Vérification/nettoyage de l'écran filtrant de l'arrivée d'eau	X			
Vérification du boyau à haute pression	X			
Vérification du boyau de savon/produit chimique et du filtre	X			
Vérification du pistolet et de la lance pour déceler des fuites	X			
Préparation pour l'entreposage	<b>Préparer l'appareil pour l'entreposage s'il ne sera pas utilisé pendant 30 jours ou plus.</b>			

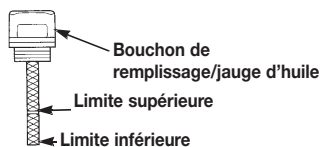
### MOTEUR

#### Vérification du niveau d'huile

1. Coupez le moteur et placez-le sur une surface de niveau.
2. Retirez le bouchon de remplissage/jauge d'huile et essuyez-le.



3. Insérez et retirez le bouchon de remplissage/jauge d'huile sans le visser sur le culot de remplissage. Vérifiez le niveau d'huile indiqué sur la jauge d'huile.



4. Si le niveau d'huile est bas, ajoutez de l'huile SAE 10W-30 jusqu'au rebord du trou de remplissage d'huile.

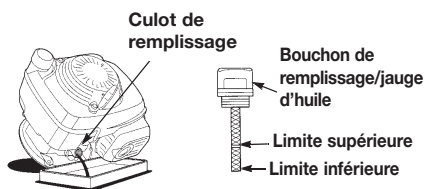
**REMARQUE :** Une huile d'une autre viscosité que celle indiquée dans le tableau peut être utilisée lorsque la température moyenne de votre région est dans les limites recommandées.

Degré de viscosité SAE	
5W-30 10W-30	30
5W-30, 10W-30 synthétique	
F -20 0 20 32 40 60 80 100	
C -30 -20 -10 0 10 20 30 40	
GAMME DE TEMPÉRATURES ANTICIPÉES LORS DES DÉMARRAGES AVANT LA PROCHAINE VIDANGE D'HUILE	

## Changement de l'huile

Vidangez l'huile à moteur lorsque le moteur est chaud. L'huile se vidange plus rapidement et complètement lorsqu'elle est chaude.

1. Placez la soupape de carburant à la position d'arrêt « OFF » en tournant un quart de tour dans le sens des aiguilles d'une montre.
2. Placez un récipient approprié à côté du moteur pour attraper l'huile usée.
3. Retirez le bouchon de remplissage/jauge d'huile et vidangez l'huile dans le récipient en inclinant le moteur vers le culot de remplissage d'huile.



**REMARQUE :** Veuillez disposer de l'huile usée d'une manière écologique. Nous vous recommandons de mettre l'huile usée dans un contenant scellé et de l'apporter à un centre de recyclage local ou à une station service pour la récupération. Ne jetez pas l'huile dans les déchets et ne la versez pas sur le sol ou dans un égout.

4. En maintenant le moteur de niveau, versez de l'huile SAE 10W-30 jusqu'à la marque de limite supérieure de la jauge d'huile. La capacité d'huile est de 0,58 pinte (0,55 litre). **REMARQUE :** On peut également utiliser une des autres viscosités d'huile figurant dans le tableau suivant le paragraphe intitulé « Vérification du niveau d'huile ».
5. Remettez en place le bouchon de remplissage/jauge d'huile et serrez-le fermement.

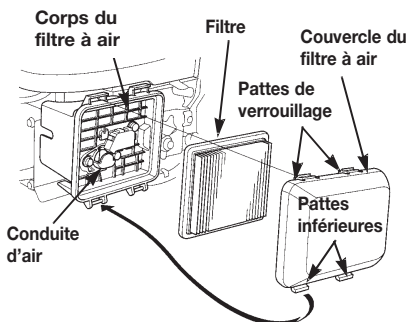
## Filtre à air

Un filtre à air sale réduira le débit d'air au carburateur et entraînera un rendement médiocre du moteur. Inspectez le filtre après chaque utilisation. Nettoyez le filtre plus souvent si le moteur est utilisé dans un lieu très poussiéreux.

**REMARQUE :** Si vous faites tourner le moteur sans le filtre, les saletés entreront dans le moteur et entraîneront une usure prématurée du moteur. Les dommages de ce genre ne sont pas couverts par la garantie.

## Inspection

1. Poussez sur les pattes de verrouillage sur le haut du couvercle du filtre à air et retirez le couvercle. Inspectez le filtre pour vous assurer qu'il est propre et en bon état.
2. Remettez en place le filtre et le couvercle du filtre à air.

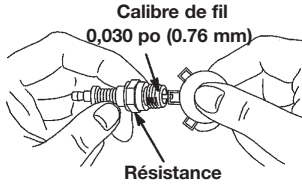


## Nettoyage

1. Tapez le filtre sur une surface dure à plusieurs reprises pour libérer la saleté ou soufflez de l'air comprimé [ne dépassant pas 30 lb/po<sup>2</sup> (207 kPa, 1,2 kg/cm<sup>2</sup>)] à travers le filtre, à partir de la surface propre qui fait face vers le moteur. N'essayez jamais de brosser la saleté puisque cela fait pénétrer la saleté dans les fibres.
2. Essuyez la saleté du corps du filtre à air et du couvercle à l'aide d'un chiffon humide. Faites attention afin d'empêcher la saleté d'entrer dans la conduite d'air menant au carburateur.

## Nettoyage et remplacement de la bougie d'allumage

Remplacez la bougie d'allumage à toutes les 100 heures de fonctionnement ou une fois par an, selon la première situation qui se présente. Cela facilite le démarrage et améliore le rendement du moteur.

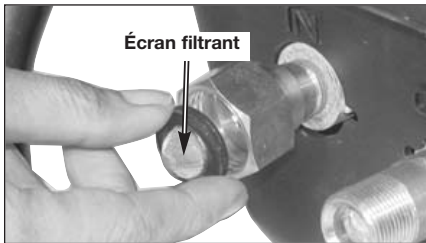


## POMPE

Cet écran filtrant devrait être vérifié périodiquement et nettoyé au besoin.

1. Saisissez l'extrémité du filtre et retirez-le de l'orifice d'entrée d'eau de la pompe, tel qu'illustré.
2. Nettoyez le filtre en le rinçant à l'eau sur les deux côtés.
3. Réinsérez le filtre dans l'orifice d'entrée d'eau de la pompe. **REMARQUE** : Le côté conique doit être dirigé vers l'extérieur.

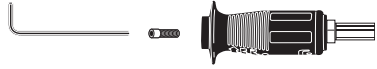
**REMARQUE** : N'utilisez pas la laveuse à pression lorsque le filtre n'est pas posé de façon appropriée.



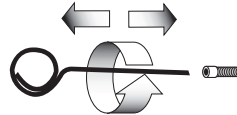
## LANCE DE VAPORISATION

Si la buse devient obstruée par des matériaux étrangers comme la poussière, une pression excessive peut se développer. Si la buse devient partiellement obstruée ou le débit est restreint, la pression de la pompe commencera à pulser. Nettoyez la buse immédiatement en vous servant de la trousse de nettoyage de buse fournie et en suivant les directives suivantes :

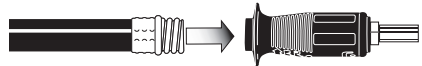
1. Arrêtez la laveuse à pression et fermez le robinet de la source d'eau.
2. Débranchez le fil de la bougie d'allumage.
3. Appuyez sur la détente du pistolet afin de dégager la pression d'eau.
4. Détachez la lance du pistolet.
5. Retirez la buse de l'extrémité de la lance en vous servant de la clé Allen de 2 mm fournie, tel qu'indiqué ci-dessous.



6. Nettoyez la buse en vous servant du dispositif de nettoyage fourni ou d'un trombone redressé en ligne droite. Insérez-le dans l'extrémité de la buse et déplacez-le dans un mouvement d'aller-retour pour libérer l'obstruction.



7. Dirigez la source d'eau dans la buse et rincez les particules libérées pendant 30 secondes.



8. Rebranchez le fil de la bougie d'allumage.
9. Réassemblez la buse sur la lance. Serrez fermement afin d'empêcher des fuites.
10. Attachez la lance au pistolet et ouvrez le robinet de la source d'eau.
11. Démarrez la laveuse à pression et réglez la lance à la position de haute pression pour l'essayer.

# ENTREPOSAGE

## MOTEUR

**IMPORTANT:** Il est important d'empêcher la formation de dépôts de gomme sur les parties essentielles du système d'injection, telles que le carburateur, le filtre à carburant, le boyau ou le réservoir durant l'entreposage. De plus, l'expérience indique que les essences mélangées avec des alcools (connues sous le nom d'essence-alcool ou essences utilisant de l'éthanol ou du méthanol) peuvent attirer l'humidité, ce qui entraîne la séparation du mélange et la formation d'acides durant l'entreposage. Les essences acides peuvent endommager le système d'injection d'un moteur lors de l'entreposage. Pour éviter des problèmes du moteur, le système d'injection doit être purgé avant un entreposage d'une durée de trente (30) jours ou plus. N'utilisez jamais de nettoyeurs pour moteurs ou carburateurs dans le réservoir à essence en raison d'un risque de dommages permanents.

### Préparation du moteur

1. Ajoutez un agent de stabilisation de carburant au réservoir.
2. Mettez la laveuse à pression en marche et faites-la fonctionner pendant un bon 5 minutes pour permettre à l'agent de stabilisation d'entrer dans le système d'injection.

### **MISE EN GARDE**

#### Lors de la préparation du

**moteur, assurez-vous que le robinet de la source d'eau est ouvert et que l'eau arrive à l'appareil. N'utilisez JAMAIS l'appareil lorsqu'il n'y a aucun débit d'eau à travers la pompe car cela endommagera la pompe.**

3. Coupez ensuite le moteur et déconnectez la source d'alimentation d'eau.
4. Débranchez le fil de la bougie d'allumage et retirez la bougie.
5. Ajoutez une cuillère à thé d'huile dans l'orifice pour bougie d'allumage.
6. Placez un chiffon sur l'orifice pour bougie d'allumage et tirez sur la corde à rappel à quelques reprises pour lubrifier la chambre de combustion.
7. Remettez la bougie d'allumage mais sans brancher le fil de la bougie.

## POMPE

1. Vidangez toute l'eau du boyau à haute pression, enroulez-le et rangez-le dans le berceau de la poignée de la laveuse à pression.
2. Vidangez toute l'eau du pistolet et de la lance. Pour ce faire, maintenez le pistolet en position verticale, en dirigeant la buse vers le bas, et appuyez sur la détente du pistolet. Rangez ces pièces dans le porte-pistolet/boyau.
3. Rangez le boyau de produits chimiques, le boyau à haute pression, le pistolet de vaporisation et la lance en les protégeant contre les dommages, surtout les dommages causés en roulant sur ces pièces.

Nous vous recommandons de suivre les étapes ci-dessous pour protéger les joints d'étanchéité internes de la laveuse à pression lorsque vous devez entreposer l'appareil pendant plus de 30 jours et(ou) **LORSQUE DES TEMPÉRATURES DE GEL SONT PRÉVUES.**

\* Vous devez également passer de l'antigel pour véhicules récréatifs à travers la pompe, tel que stipulé dans les étapes ci-dessous.

4. Obtenez un entonnoir, 6 oz (177 ml) d'antigel pour véhicules récréatifs ou de liquide de lave-glace, un boyau d'arrosage d'une longueur d'environ 12 po (30 cm) doté d'un raccord mâle à une extrémité.

### **MISE EN GARDE**

**N'utilisez que de l'antigel pour véhicules récréatifs. Tout autre antigel est corrosif et risque d'endommager la pompe.**



5. Débranchez le fil de la bougie d'allumage.
6. Connectez le boyau d'arrosage de 12 po (30 cm) à l'orifice d'entrée de la pompe.
7. Ajoutez l'antigel pour véhicules récréatifs ou le liquide de lave-glace, tel qu'illustré.

8. Tirez à plusieurs reprises sur le cordon de démarrage du moteur, jusqu'à ce que l'antigel ou le liquide de lave-glace déborde du raccord du boyau à haute pression de la pompe.
  9. Retirez le boyau court de l'orifice d'entrée de la pompe.
  10. Insérez la bougie d'allumage dans le trou de bougie et bien la serrer. Branchez ensuite le fil de la bougie d'allumage.
- \* Vous pouvez également utiliser du liquide de lave-glace.*

## GUIDE DE DÉPANNAGE

PROBLÈME	CAUSE	CORRECTION
Le moteur ne démarre pas	<ol style="list-style-type: none"> <li>1. Aucun carburant.</li> <li>2. Accumulation de pression après avoir tiré deux fois sur le cordon de démarrage.</li> <li>3. Le levier d'étrangleur est en position sans étranglement " No Choke ".</li> <li>4. Le fil de la bougie d'allumage n'est pas branché.</li> <li>5. Le levier d'étranglement est en position « Choke » lorsque le moteur est chaud ou lorsque le moteur a été exposé à une source de chaleur pour une période prolongée.</li> <li>6. Soupape de carburant fermée</li> </ol>	<ol style="list-style-type: none"> <li>1. Ajoutez du carburant.</li> <li>2. Appuyez sur la détente du pistolet pour dégager la pression.</li> <li>3. Le levier d'étrangleur est en position sans étranglement " No Choke ".</li> <li>4. Branchez le fil de la bougie d'allumage.</li> <li>5. Déplacez le levier d'étranglement à la position sans étranglement.</li> <li>6. Réglez la soupape de carburant à la position ouverte.</li> </ol>
Aucune pression ou basse pression (à l'utilisation initiale)	<ol style="list-style-type: none"> <li>1. La lance n'est pas en position de haute pression.</li> <li>2. Alimentation en eau insuffisante.</li> <li>3. Fuite au raccord de boyau à haute pression.</li> <li>4. La buse est obstruée.</li> <li>5. Écran de filtrage d'eau obstrué.</li> </ol>	<ol style="list-style-type: none"> <li>1. Consultez le paragraphe " Utilisation de la lance " de la section " Utilisation ".</li> <li>2. La source d'eau doit acheminer au moins 5 gal./min à 20 lb/po<sup>2</sup>.</li> <li>3. Serrez le raccord. Appliquez du ruban d'étanchéité au besoin.</li> <li>4. Consultez le paragraphe " LANCE DE VAPORISATION " dans la section " Entretien " pour connaître la procédure correcte.</li> <li>5. Retirez le filtre et nettoyez-le.</li> </ol>

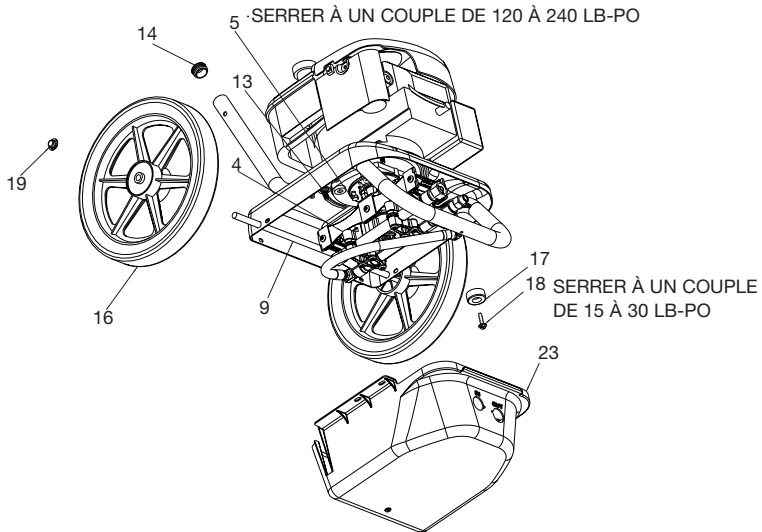
<b>PROBLÈME</b>	<b>CAUSE</b>	<b>CORRECTION</b>
<p>Aucune pression ou basse pression (à l'utilisation initiale) (suite)</p>	<p>6. De l'air se trouve dans le boyau.</p> <p>7. Le levier d'étrangleur est en position « Choke ».</p> <p>8. Le levier de commande des gaz n'est pas à la position rapide « Fast ».</p> <p>9. Le boyau à haute pression est trop long.</p>	<p>6. Arrêtez le moteur et fermez ensuite le robinet de la source d'eau. Débranchez la source d'eau de l'orifice d'entrée de la pompe et ouvrez le robinet de la source d'eau pour purger l'air du boyau. Lorsqu'un jet continu d'eau paraît, fermez le robinet de la source d'eau. Rebranchez la source d'eau à l'orifice d'entrée de la pompe et ouvrez la source d'eau. Appuyez sur la détente pour purger l'air qui reste.</p> <p>7. Réglez le levier d'étrangleur à la position « No Choke ».</p> <p>8. Réglez le levier de commande des gaz à la position rapide « Fast ».</p> <p>9. Utilisez un boyau à haute pression d'une longueur inférieure à 100 pieds.</p>
<p>Aucun produit chimique n'est aspiré</p>	<p>1. La lance n'est pas en position de basse pression.</p> <p>2. Le filtre de produit chimique est obstrué.</p> <p>3. L'écran de filtrage de produit chimique n'est pas submergé dans le produit chimique.</p> <p>4. Le produit chimique est trop épais.</p> <p>5. Le boyau à haute pression est trop long.</p> <p>6. Une accumulation de produit chimique dans l'injecteur de produit chimique.</p>	<p>1. Consultez le paragraphe « Utilisation de la lance » de la section « Utilisation ».</p> <p>2. Nettoyez le filtre.</p> <p>3. Assurez-vous que l'embout du boyau de produit chimique est entièrement submergé dans le produit chimique.</p> <p>4. Diluez le produit chimique. Le produit chimique devrait avoir la consistance d'eau.</p> <p>5. Utilisez un boyau d'eau plus long au lieu d'un boyau à haute pression plus long.</p> <p>6. Apportez les pièces à un CSGA pour le nettoyage ou le remplacement.</p>

<b>PROBLÈME</b>	<b>CAUSE</b>	<b>CORRECTION</b>
Aucune pression ou basse pression (après un certain temps d'utilisation normale)	<ol style="list-style-type: none"> <li>1. Joint d'étanchéité ou garniture usés.</li> <li>2. Soupapes usées ou obstruées.</li> <li>3. Piston de déchargeur usé.</li> </ol>	<ol style="list-style-type: none"> <li>1. Faire remplacer par un CSGA.</li> <li>2. Faire remplacer par un CSGA.</li> <li>3. Faire remplacer par un CSGA.</li> </ol>
Fuite d'eau au niveau de la connexion du pistolet/lance	<ol style="list-style-type: none"> <li>1. Joint torique usé ou brisé.</li> <li>2. Connexion de boyau desserrée.</li> </ol>	<ol style="list-style-type: none"> <li>1. Vérifiez et remplacez.</li> <li>2. Serrez.</li> </ol>
Fuite d'eau au niveau de la pompe	<ol style="list-style-type: none"> <li>1. Connexions desserrées.</li> <li>2. Garnitures de piston usées.</li> <li>3. Joints toriques usés.</li> <li>4. La tête de la pompe ou les tubes sont endommagés à cause du gel.</li> </ol>	<ol style="list-style-type: none"> <li>1. Serrez.</li> <li>2. Faire remplacer par un CSGA.</li> <li>3. Faire remplacer par un CSGA.</li> <li>4. Faire remplacer par un CSGA.</li> </ol>
La pompe fonctionne de façon pulsée	<ol style="list-style-type: none"> <li>1. Buse obstruée.</li> </ol>	<ol style="list-style-type: none"> <li>1. Consultez le paragraphe " LANCE DE VAPORISATION " dans la section " Entretien " pour connaître la procédure correcte.</li> </ol>

CSGA = Centre de service sous garantie autorisé

# PIÈCES DE RECHANGE

N° de modèle de la laveuse à pression 919.672241



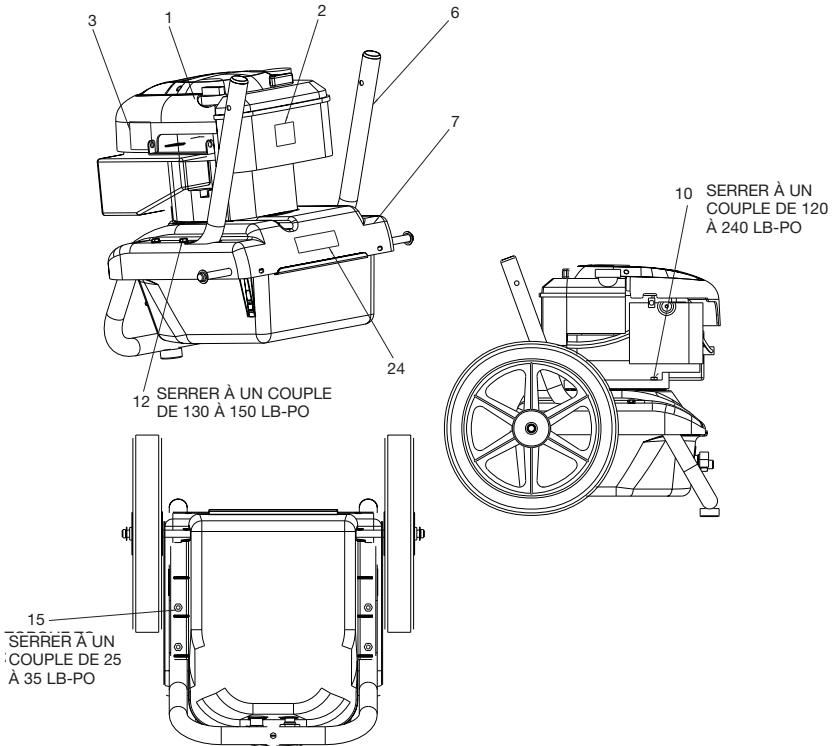
<b>N° d'article</b>	<b>N° de pièce</b>	<b>Description</b>
4	*	Trousse de pompe
5	D27152	Vis, 5/16-24 x .75
9	D23099	Essieu
13	16087	Écrou à embase
14	D22267	Bouchon
16	D21963	Roue
17	D22268	Isolateur
18	D23208	Vis, 1/4-20
19	W137	Écrou Pal
23	D21630	Flasque de pompe

\* Voir la vue éclatée pour identifier les pièces particulières



# PIÈCES DE RECHANGE

N° de modèle de la laveuse à pression 919.672241



N° d'article	N° de pièce	Description
1	*	Moteur Honda GCV160A
2	17050	Étiquette de danger
3	D23125	Étiquette de surface chaude
6	D22908	Châssis
7	D25074	Base
10	D22906	Vis, 5/16-18
12	D22308	Vis, 5/16-18
15	D22692	Écrou, 5/16-18
24	D25087	Étiquette d'avertissement

## Non illustré

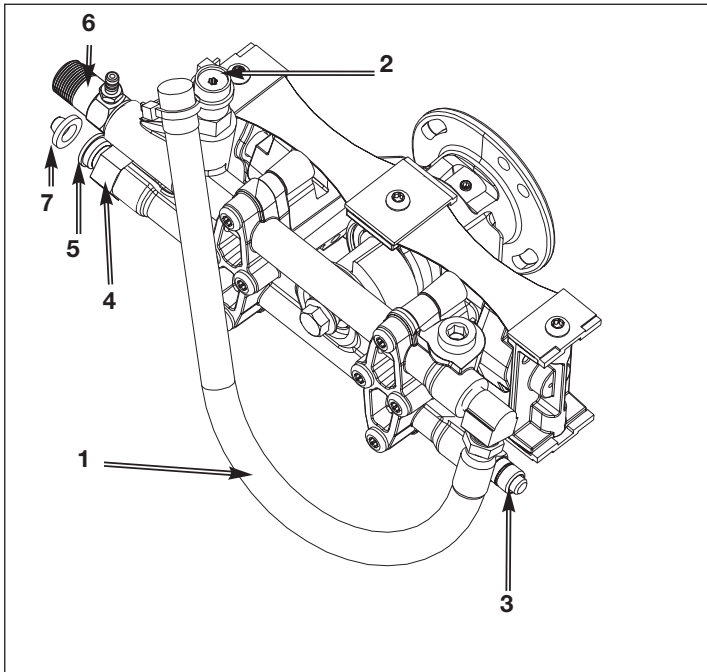
D28235

Guide de l'utilisateur

\* Voir la vue éclatée pour identifier les pièces particulières

## PIÈCES DE RECHANGE

N° de modèle de la pompe refoulante D28703



<b>N° d'article</b>	<b>N° de pièce</b>	<b>Description</b>
1	D20998	Boyau, 3/8 x 18 po, 2 200 lb/po <sup>2</sup>
2	16355	Ensemble de dispositif de marche à vide, 2 200 lb/po <sup>2</sup>
3	16848	Soupape de décharge thermique
4	H061	Écrou tournant de tuyau d'arrosage
5	H068	Joint articulé, 3/8 po
6	15125	Injecteur de produit chimique
7	F187	Écran pour tuyau d'arrosage

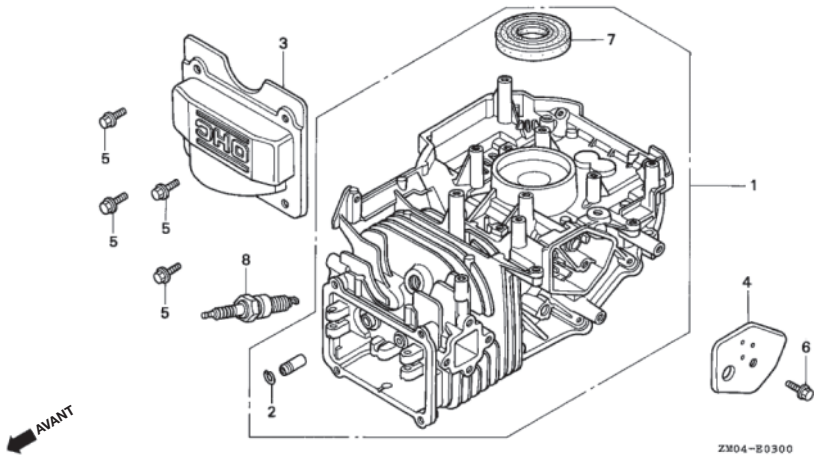
**Non illustré :**

H140 Boyau de produit chimique

# PIÈCES DE RECHANGE

N° de modèle du moteur HONDA GCV160A

## CORPS DE CYLINDRE

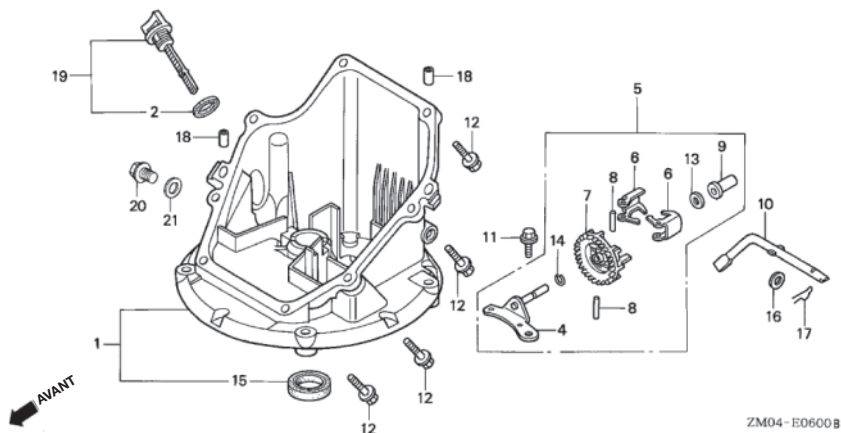


Réf	Description	N° de pièce	H/C	Qté
1	Ensemble de cylindre	12000-ZL8-405	6315691	1
2	Attache de guide de soupape	12216-ZE5-300	2399780	1
3	Couvercle de culasse	12311-ZL8-000	5579990	1
4	Couvercle de reniflard (ens. de soupape de reniflard)	12355-ZL8-000	5580006	1
5	Écrou à embase (6x12) (CT200)	90013-883-000	0636845	4
6	Écrou à embase (6x14)	90014-952-000	0803619	1
7	Joint d'huile (25,4x62x6)	91201-ZL8-003	5581038	1
8	Bougie d'allumage (BPR6ES) (NGK)	98079-56846	1441112	1

# PIÈCES DE RECHANGE

N° de modèle du moteur HONDA GCV160A

## CARTER D'HUILE

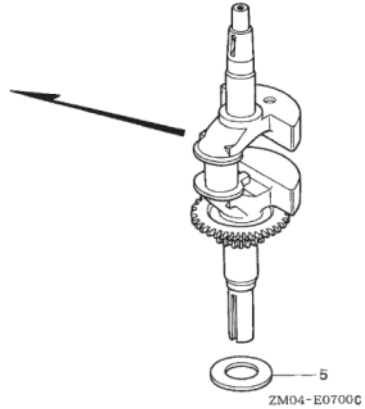
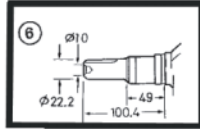


Réf	Description	N° de pièce	H/C	Qté
1	Ens. de carter d'huile (SAE)	11300-ZOL-820	6696686	1
2	Joint d'étanchéité de bouchon de remplissage d'huile	15625-ZE1-003	4497947	1
4	Arbre de support de régulateur	16508-ZM0-010	6384341	1
5	Ens. de régulateur	16510-ZM0-010	6384333	1
6	Poids de régulateur	16511-ZL8-000	5580287	2
7	Support de poids de régulateur	16512-ZM0-000	5580295	1
8	Goupille de poids de régulateur	16513-ZE1-000	1427244	2
9	Tiroir de régulateur	16531ZE1-000	1427251	1
10	Arbre de bras de régulateur	16541-ZM0-000	5580303	1
11	Écrou à embase (6x14)	90014-952-000	0803619	1
12	Écrou à embase (6x25)	90121-952-000	0748111	8
13	Rondelle de butée (6 mm)	90451-ZE1-000	2413862	1
14	Attache de support de régulateur	90602-ze1-000	2456697	1
15	Joint d'huile (28x41,25x6)	91202-ZM0-V31	6315865	1
16	Rondelle ordinaire (6 mm)	94101-06800	0345900	1
17	Goupille d'arrêt (8 mm)	94251-08000	0115527	1
18	Goupille cylindrique (8x20)	94301-08200	1417369	2
19	Ens. de jauge d'huile	15650-ZM0-003	5722996	1
20	Boulon de bouchon de vidange	90131-896-650	1986231	1
21	Rondelle de bouchon de vidange (12 mm)	94109-12000	0171868	1

# PIÈCES DE RECHANGE

N° de modèle du moteur HONDA GCV160A

## VILEBREQUIN



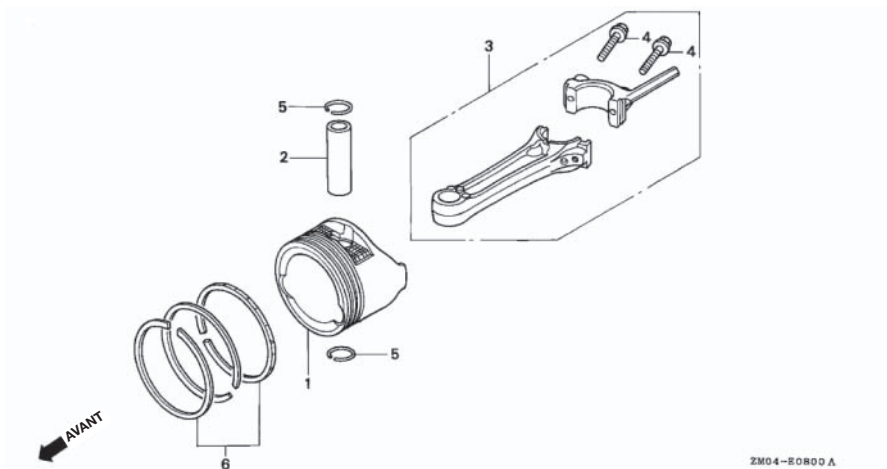
← AVANT

Réf	Description	N° de pièce	H/C	Qté
5	Rondelle de butée	90402-ZL8-000	5581012	1
6	Vilebrequin	13310-Z0L-650	6696702	1

# PIÈCES DE RECHANGE

N° de modèle du moteur HONDA GCV160A

## VILEBREQUIN

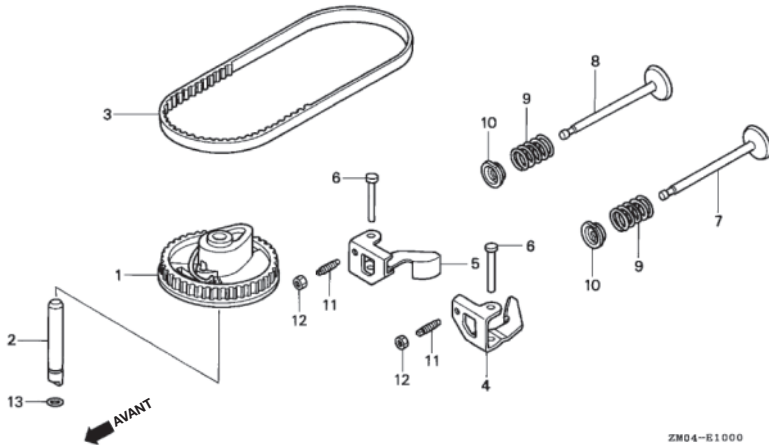


<b>Réf</b>	<b>Description</b>	<b>N° de pièce</b>	<b>H/C</b>	<b>Qté</b>
1	Piston	13101-ZL8-000	5580014	1
2	Axe de piston	13111-ZE0-000	1426576	1
3	Ensemble de bielle	13200-ZL8-000	5580022	1
4	Boulon de bielle	90001-ZE1-000	1431055	2
5	Attache d'axe de piston (13 mm)	90551-ZE0-000	2605517	2
6	Jeu de segments de piston (TEIKOKU)	13010-ZL8-014	6315717	1

# PIÈCES DE RECHANGE

N° de modèle du moteur HONDA GCV160A

## POULIE D'ARBRE À CAMES

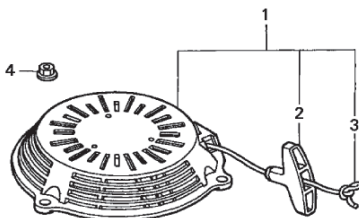


Réf	Description	N° de pièce	H/C	Qté
1	Poulie d'arbre à cames	14320-ZL8-000	5580055	1
2	Arbre de poulie d'arbre à cames	14324-ZL8-000	5580063	1
3	Courroie de distribution (84HU7 G-200)	14400-Z0J-004	6637417	1
4	Bras de culbuteur int.	14431-ZL8-000	5580089	1
5	Bras de culbuteur ext.	14441-ZL8-000	5580097	1
6	Arbre de culbuteur	14461-ZL8-000	5580105	2
7	Soupape int.	14711-ZL8-000	5580113	1
8	Soupape ext.	14721-ZL8-000	5580121	1
9	Ressort de soupape	14751-ZL8-000	5580139	2
10	Pièce de retenue de ressort de soupape	14771-ZE1-000	1426980	2
11	Vis de réglage de poussoir	90012-333-000	0294819	2
12	Écrou de réglage de poussoir	90206-001-000	0004598	2
13	Joint torique (6,8x1,9)	91301-ZM0-V31	6315873	1

# PIÈCES DE RECHANGE

N° de modèle du moteur HONDA GCV160A

## DÉMARREUR À RAPPEL



ZM04-E1100 A

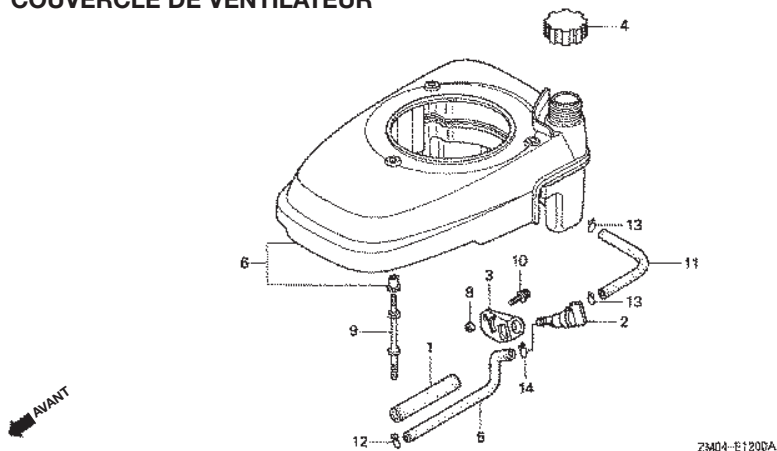
<b>Réf</b>	<b>Description</b>	<b>N° de pièce</b>	<b>H/C</b>	<b>Qté</b>
1	Ens. de démarreur à rappel *NH1* (noir)	28400-ZL8-013ZA	6061204	1
2	Poignée de démarreur à rappel	28461-ZL8-003	5580634	1
3	Cordon de démarreur à rappel	28462-ZL8-003	5611454	1
4	Écrou à embase (6 mm)	90201-ZM0-000	6478812	3



# PIÈCES DE RECHANGE

N° de modèle du moteur HONDA GCV160A

## COUVERCLE DE VENTILATEUR

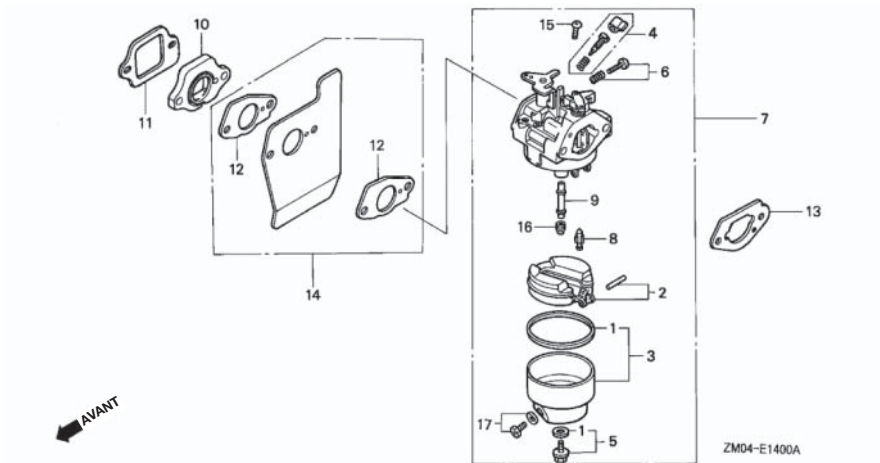


<u>Réf</u>	<u>Description</u>	<u>N° de pièce</u>	<u>H/C</u>	<u>Qté</u>
1	Support en caoutchouc (107 mm)	16854-ZH8-000	3683646	1
2	Ens. de robinet de petit diam. (MAN)	16950-ZG9-M02	5028923	1
3	Support de robinet	16956-ZM0-000	5580394	1
4	Ens. de bouchon du réservoir	17620-ZL8-013	6673289	1
5	Tube à carburant	17702-ZM0-000	5580469	1
6	Couvercle de ventilateur *NH1* (noir)	19610-ZM0-010ZA	6132989	1
8	Collet de clignotant avant	33600-GK4-620	2499440	1
9	Goujon	90043-ZL8-000	5581004	3
10	Vis à rondelle (5x10)	93891-05010-08	0671636	1
11	Boyau à carburant (5,5x8000) (5,5x150)	95001-55008-40M	2449593	1
12	Collier de boyau (B8)	95002-02080	0250647	1
13	Collier de boyau (B10)	95002-02100	0250985	2
14	Collier de boyau (C9)	95002-50000	0053447	1

# PIÈCES DE RECHANGE

N° de modèle du moteur HONDA GCV160A

## CARBURATEUR

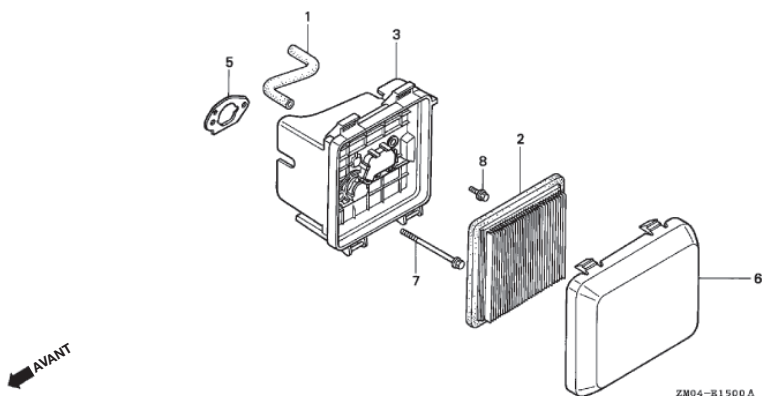


Réf	Description	N° de pièce	H/C	Qté
1	Jeu de joints d'étanchéité	16010-883-015	3088416	1
2	Ensemble de flotteur	16013-ZL1-003	5580162	1
3	Ensemble de cuve à niveau	16015-887-782	3465879	1
4	Jeu de vis	16016-ZG0-W00	4481818	1
5	Jeu de vis B	16028-ZE0-005	1441518	1
6	Jeu de vis	16029-ZG0-901	5580170	1
7	Ens. de carburateur (BB62B D)	16100-ZM0-803	6212849	1
8	Soupape à flotteur	16155-ZM0-003	5580212	1
9	Gicleur principal	16166-ZM0-003	5580220	1
10	Isolateur de carburateur	16211-ZL8-000	5580238	1
11	Joint d'étanchéité d'isolateur	16212-ZL8-000	5580246	1
12	Joint d'étanchéité de carburateur	16221-883-800	4581120	2
13	Joint d'étanchéité de carburateur (côté de l'étrangleur)	16228-ZL8-000	5580253	1
14	Dispositif de guidage d'air	19650-ZM0-000	5580535	1
15	Vis de carter (5x6)	93500-05006-0H	0639419	1
16	Jet principal (#60)	99101-124-0600	0635474	1
	Jet principal (#62)	99101-124-0620	0635482	1
	Jet principal (#65)	99101-124-0650	0636126	1
17	Jeu de vis de vidange	16024-ZE1-811	1672187	1

# PIÈCES DE RECHANGE

N° de modèle du moteur HONDA GCV160A

## FILTRE À AIR

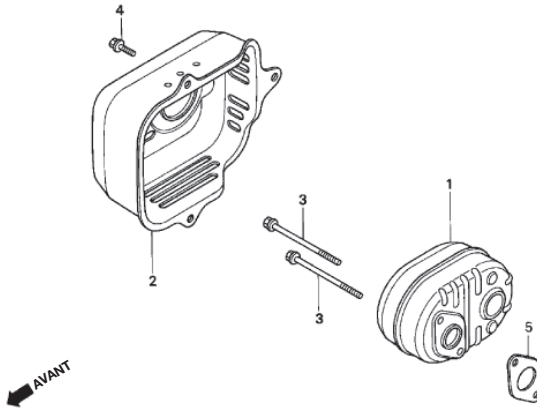


<u>Réf</u>	<u>Description</u>	<u>N° de pièce</u>	<u>H/C</u>	<u>Qté</u>
1	Tube de reniflard	15721-ZM0-000	5580154	1
2	Élément de filtre à air	17211-ZL8-000	5580402	1
3	Ens. de boîtier de filtre à air	17220-ZM0-000	5580410	1
5	Joint d'étanchéité de filtre à air	17228-ZM0-000	5664560	1
6	Couvercle de filtre à air	17231-X0L-000	6673255	1
7	Boulon à embase (6x86) (CT200)	90003-Z0L-000	5580964	2
8	Boulon à embase (6x14)	95701-06014-08	2374742	1

# PIÈCES DE RECHANGE

N° de modèle du moteur HONDA GCV160A

## SILENCIEUX



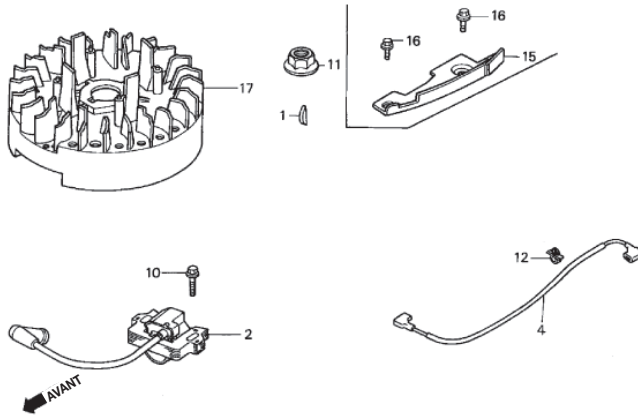
ZM04-E1600A

<u>Réf</u>	<u>Description</u>	<u>N° de pièce</u>	<u>H/C</u>	<u>Qté</u>
1	Silencieux	18310-ZM0-000	5580485	1
2	Protecteur de silencieux	18321-ZL8-000	5580501	1
3	Boulon à embase (6x79) (CT200)	90004-ZL8-000	5580972	2
4	Boulon à embase (6x12) (CT200)	90013-883-000	0636845	3
5	Joint d'étanchéité de silencieux	18381-ZL8-305	5737457	1

# PIÈCES DE RECHANGE

N° de modèle du moteur HONDA GCV160A

## VOLANT MOTEUR



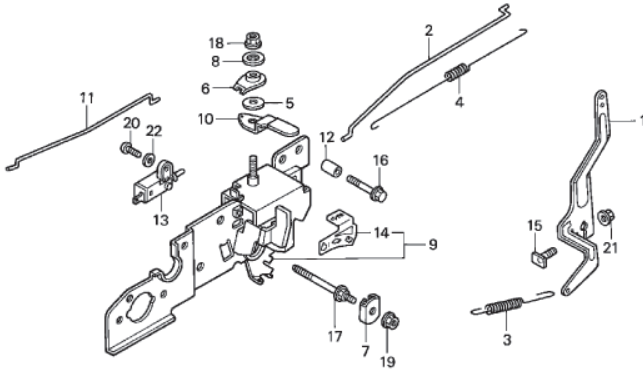
ZM04-E19008

<u>Réf</u>	<u>Description</u>	<u>N° de pièce</u>	<u>H/C</u>	<u>Qté</u>
1	Clavette woodruff spéciale (25x18)	13331-357-000	0348433	1
2	Ens. de bobine d'allumage	30500-ZL8-004	5580659	1
4	Fil d'interrupteur d'arrêt	32195-ZM0-800	6315816	1
10	Boulon à embase (6x20) (CT200)	90022-888-010	0671552	1
11	Écrou spécial (14 mm)	90201-878-003	0442038	1
12	Collier de câble (A)	90681-959-003	1824630	1
15	Plaque latérale	19612-ZM0-000	6315782	1
16	Boulon à embase (6x12) (CT200)	90013-883-000	0636845	2
17	Volant moteur	31110-ZL8-004	5656053	1

# PIÈCES DE RECHANGE

N° de modèle du moteur HONDA GCV160A

## COMMANDE (2)



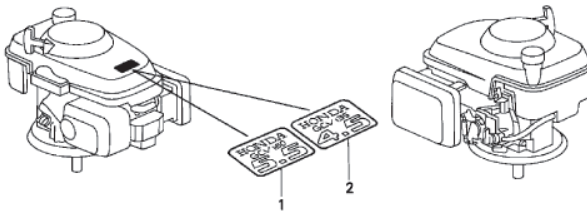
ZM04-E2201

Réf	Description	N° de pièce	H/C	Qté
1	Bras de régulateur	16551-ZM0-000	5580311	1
2	Tige de régulateur	16555-ZM0-000	5580329	1
3	Ressort de régulateur	16561-ZM0-V30	6315725	1
4	Ressort de rappel du papillon	16562-ZM0-000	5580352	1
5	Ressort de levier	16574-ZE1-000	1427384	1
6	Rondelle de levier de commande	16575-ZE2-W00	3678679	1
7	Plaque centrale de levier	16577-ZM0-V30	6315741	1
8	Entretoise de levier de commande	16578-ZE1-000	1427400	1
9	Base de commande	16580-ZM0-V30	6315758	1
10	Levier d'étrangleur	16612-ZM0-V30	6315766	1
11	Tige d'étrangleur	16674-ZM0-V30	6315774	1
12	Collet (9,2x15x20,5)	91501-ZM0-V30	6363733	1
13	Ens. d'interrupteur de moteur (N.O)	35120-ZL8-003	5611520	1
14	Marque indicatrice du papillon	87532-ZM0-V30	6315832	1
15	Boulon de bras de régulateur	90015-ZE5-010	2418671	1
16	Boulon à embase (6x32)	90017-883-000	0636076	1
17	Boulon spécial (6x45)	90016-ZM0-V30	6315840	1
18	Écrou autobloquant (6 mm)	90114-SA0-000	1410182	1
19	Écrou autobloquant (5 mm)	90136-SM4-901	3596095	1
20	Vis à rondelle (4x12)	93892-04012-00	0485946	1
21	Écrou à embase (6 mm)	94050-06000	0471623	1
22	Rondelle ordinaire (4 mm)	94103-04000	1510361	1

# PIÈCES DE RECHANGE

N° de modèle du moteur HONDA GCV160A

## ÉTIQUETTES



ZM04-E2800g

<u>Réf</u>	<u>Description</u>	<u>N° de pièce</u>	<u>H/C</u>	<u>Qté</u>
1	Étiquette d'emblème (5,5)	87101-ZM0-000	5580865	1

# Get it fixed, at your home or ours!

Just Call:

**1-800-4-MY-HOME®**

(1-800-469-4663)

24 hours a day, 7 days a week

For the repair of major brand appliances **in your own home...**  
no matter who made it, no matter who sold it!

For your nearest **Sears Parts and Service** location,  
to bring in products like vacuums, lawn equipment and electronics.

For **Sears Parts & Service**, to order the replacement parts,  
accessories and owner's manuals that you need to do-it-yourself.

[www.sears.ca](http://www.sears.ca)

---

To purchase or inquire about a Sears Maintenance Agreement, call:

**1-800-361-6665**

9 a.m. – 8 p.m. EST, Mon. – Fri., 4 p.m. Sat.

---

Pour service en français:

**1-800-LE-FOYER<sup>MC</sup>**

(1-800-533-6937)

[www.sears.ca](http://www.sears.ca)



® / ™ Trademarks of Sears, Roebuck and Co. used under license by Sears Canada

MC / MD Marque de commerce / déposée de Sears, Roebuck and Co. utilisée en vertu d'une licence de Sears Canada

© Sears



## Free Manuals Download Website

<http://myh66.com>

<http://usermanuals.us>

<http://www.somanuals.com>

<http://www.4manuals.cc>

<http://www.manual-lib.com>

<http://www.404manual.com>

<http://www.luxmanual.com>

<http://aubethermostatmanual.com>

Golf course search by state

<http://golfingnear.com>

Email search by domain

<http://emailbydomain.com>

Auto manuals search

<http://auto.somanuals.com>

TV manuals search

<http://tv.somanuals.com>