

Owner's Manual



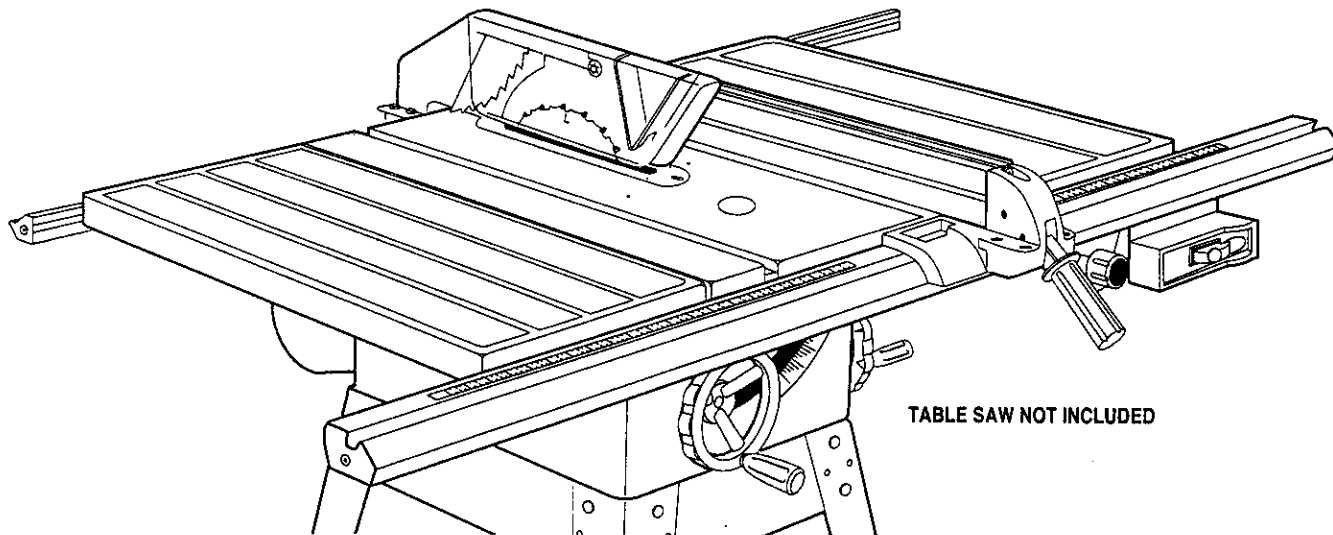
RAILS AND FENCE SYSTEM

FOR CRAFTSMAN 10 in. TABLE SAWS MODEL NOS.

315.228310, 315.228410, 315.228510, 113.299310, 113.299410, 113.299510

Item No.

929993



Save this manual for
future reference.

CAUTION: Read and follow
all Safety Rules and Operating
Instructions before first use of
this product.

Customer Help Line: 1-800-932-3188

Sears, Roebuck and Co., Hoffman Estates, IL 60179 USA
Visit the Craftsman web page: www.sears.com/craftsman

972000-662
3-99

- SAFETY
- LOOSE PARTS
- PREPARATION
- INSTALLATION
- ALIGNMENT

RULES FOR SAFE OPERATION

READ ALL INSTRUCTIONS

- **READ THESE INSTRUCTIONS AND THE INSTRUCTIONS FOR YOUR TABLE SAW THOROUGHLY** before using accessories.
- **KNOW YOUR POWER TOOL.** Read the owner's manual for the Table Saw carefully. Learn the saw's applications and limitations as well as the specific potential hazards related to this tool.
- **KEEP THE WORK AREA CLEAN.** Cluttered work areas and work benches invite accidents. **DO NOT** leave tools or pieces of wood on the saw while it is in operation.
- **ALWAYS WEAR SAFETY GLASSES.** Everyday eyeglasses have only impact-resistant lenses; they are **NOT** safety glasses.
- **ALWAYS DISCONNECT SAW FROM POWER SUPPLY BEFORE MAKING ADJUSTMENTS OR ADDING ACCESSORIES.** Make sure the switch is off when reconnecting to power supply.
- **SAVE THESE INSTRUCTIONS.** Refer to them frequently and use to instruct other users. If you loan someone this tool, loan them these instructions also.



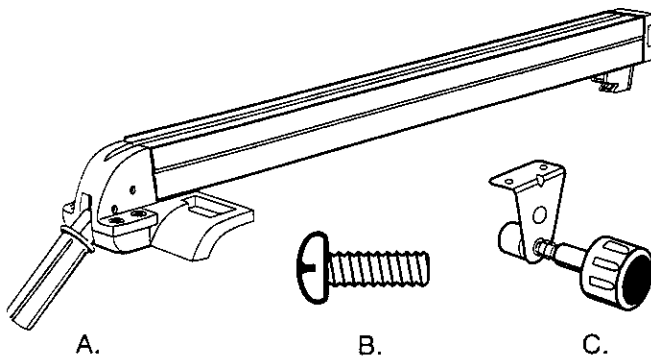
Look for this symbol to point out important safety precautions. It means attention!!! Your safety is involved.

LOOSE PARTS LIST

These included parts make up the the fence and rails accessory 929993. Fasteners are shown actual size.

1. Fence

- A. Fence 1
- B. Screw (1/4-20 x 3/8) 2
- C. Fine Adjustment Knob 1



2. Rails

- A. Front rail end cap 2
- B. Screw for end caps (5/32-32 x 1/2 in.) 4
- C. Rear rail end cap 2
- D. Front rail 1
- E. Rear rail 1

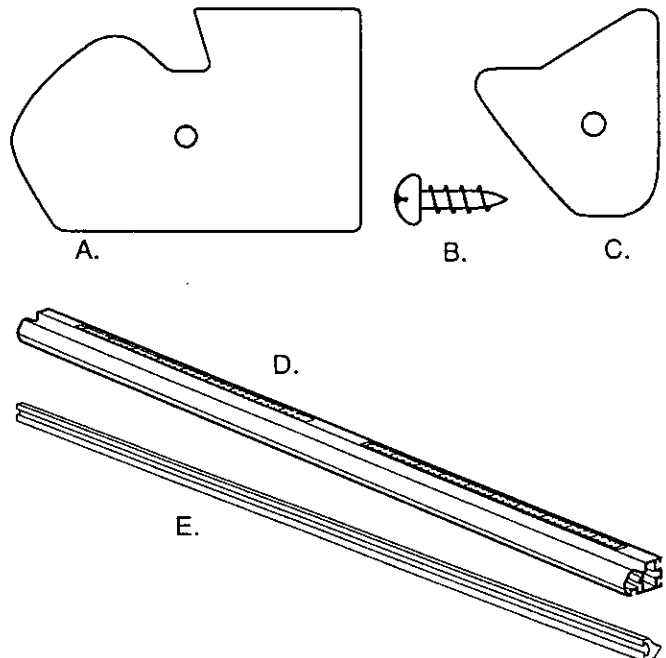


Fig. 1

PREPARATION

REMOVING THE SWITCH AND RAILS

- Remove the front rail end caps.
- Under the front rail, loosen the switch screws and slide the switch off of the rail. *See Figure 2.*

Note: Do not remove the switch screws completely. Loosening the screws will allow you to slide the switch off the front rail and the switch will be ready to install on the new front rail.

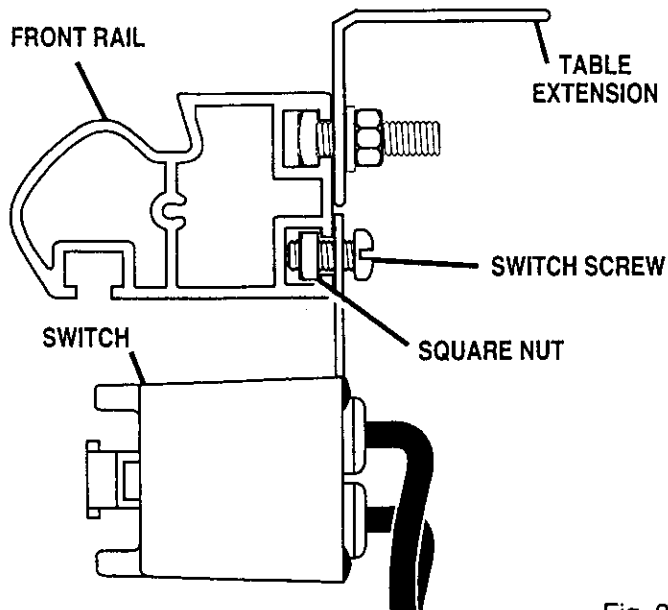


Fig. 2

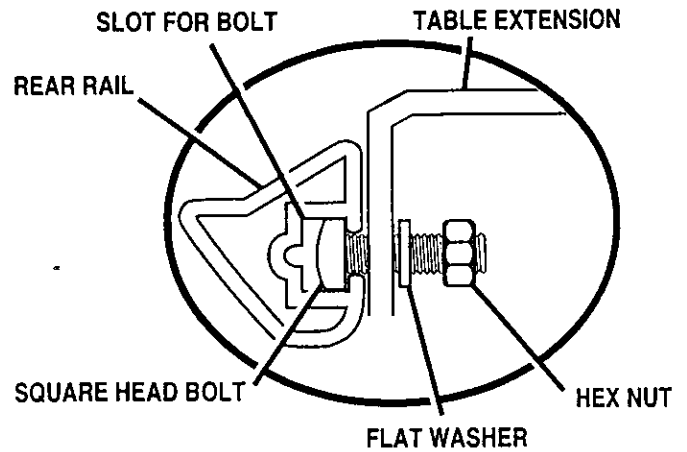


Fig. 3

- Remove the rear rail end caps.
- Under the table, loosen all of the hex nuts on the square head bolts that hold both front and rear rails. *See Figure 3.*

Note: Do not remove the hex nuts completely. Loosening the nuts will allow you to slide the rails off the table and the square head bolts will be ready for the new rails.

- Carefully slide the rails off of the bolts and the table.

INSTALLATION

INSTALLING THE REAR RAIL

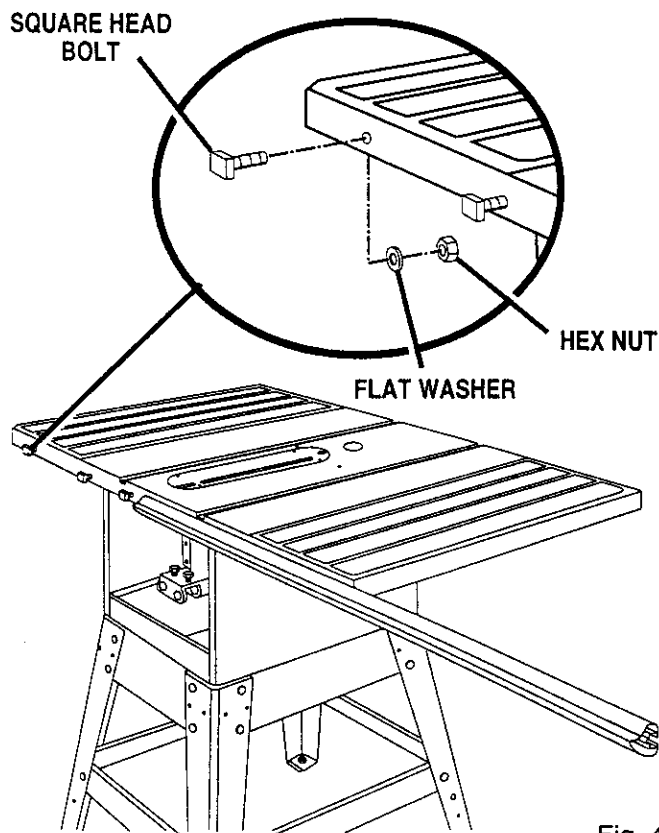
⚠ WARNING: Front and rear rails must be carefully aligned to reduce the risk of kickback, which can cause serious injury.

- From the carton, remove the rear rail and the following hardware:

Right and left end caps for rear rail
2 screws (5/32-32 x 1/2 in.) for end caps

Note: The square head bolts, washers, and hex nuts shown at the top of figure 3 should still be on the table saw. If you mistakenly removed them, put them back on the table. Do not tighten.

- Carefully slide the rail onto the square head bolts.



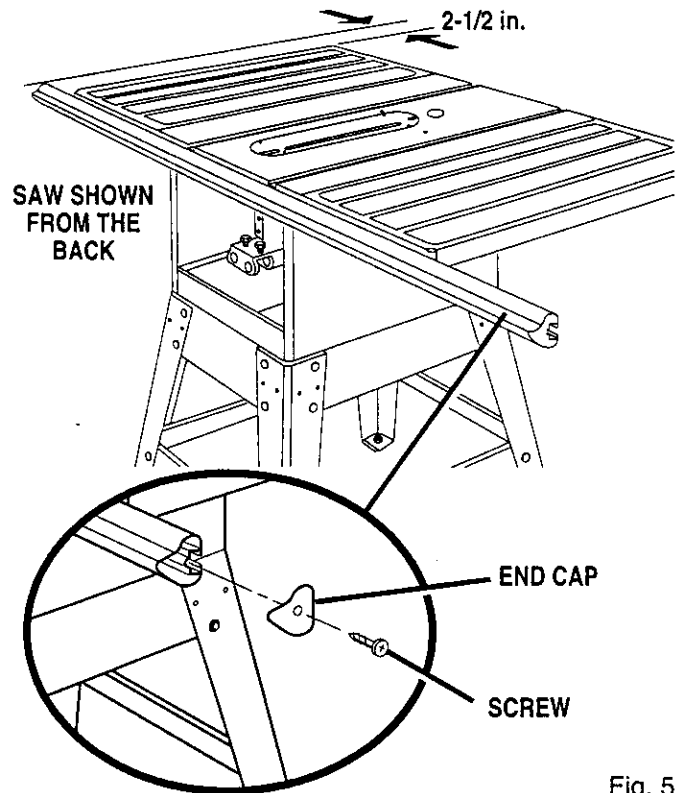
- Position rail so that the right hand edge extends 2-1/2 in. beyond the table extension.

Note: Instructions are given from the operator's position in front of the saw.

- Push the rail against table and tighten each hex nut with a 12 mm wrench. If the rail jams or does not slide easily over the bolts, re-align the table extensions according to the instructions in the table saw owner's manual.

Note: Make sure there are no gaps between the rail and edge of table or extensions.

- Put the end caps on the rail ends. Insert the screws and tighten with a phillips screwdriver.



INSTALLATION

INSTALLING THE FRONT RAIL

- Locate the front rail and the following hardware:
 - Right and left end caps for front rail
 - 2 screws (5/32-32 x 1/2 in.) for end caps
- Set aside the end caps and two screws until the switch has been installed.

Note: The square head bolts, washers, and hex nuts shown at the bottom of figure 6 should still be on the table saw. If you mistakenly removed them, put them back on the table. Do not tighten.

- The back of the rail has two slots. *See Figure 7.* Carefully slide the upper slot over the bolts. (Bottom slot is for switch.)
- Align the rail left to right - Match the 7-1/8 in. mark on the right scale to the right edge of the saw base (main table). *See Figure 8.*
- Snug the rail against table. Finger-tighten each nut on the table and extensions.

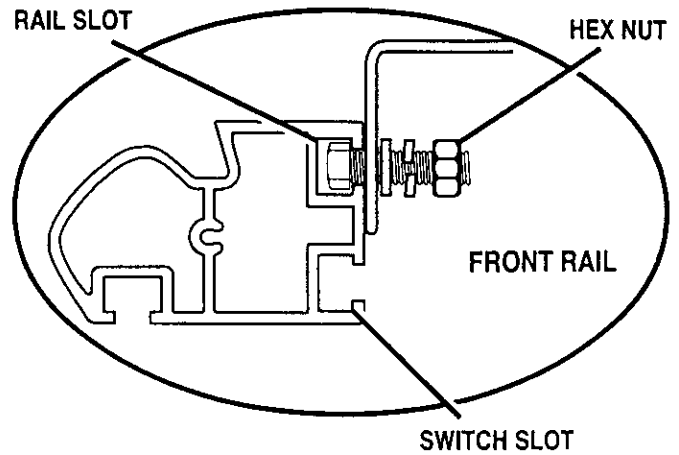


Fig. 7

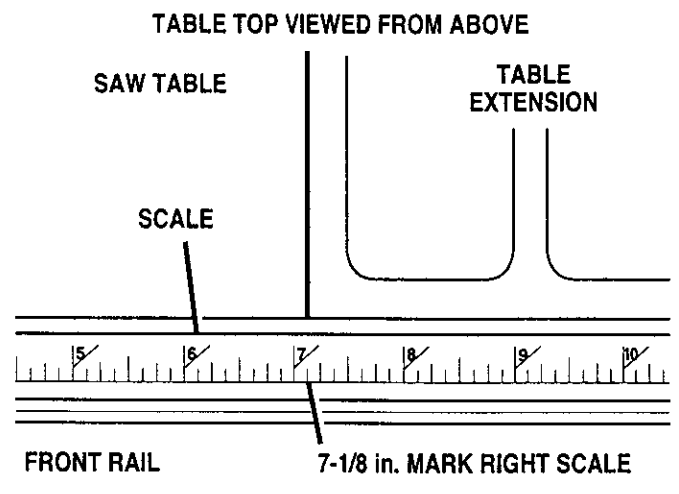


Fig. 8

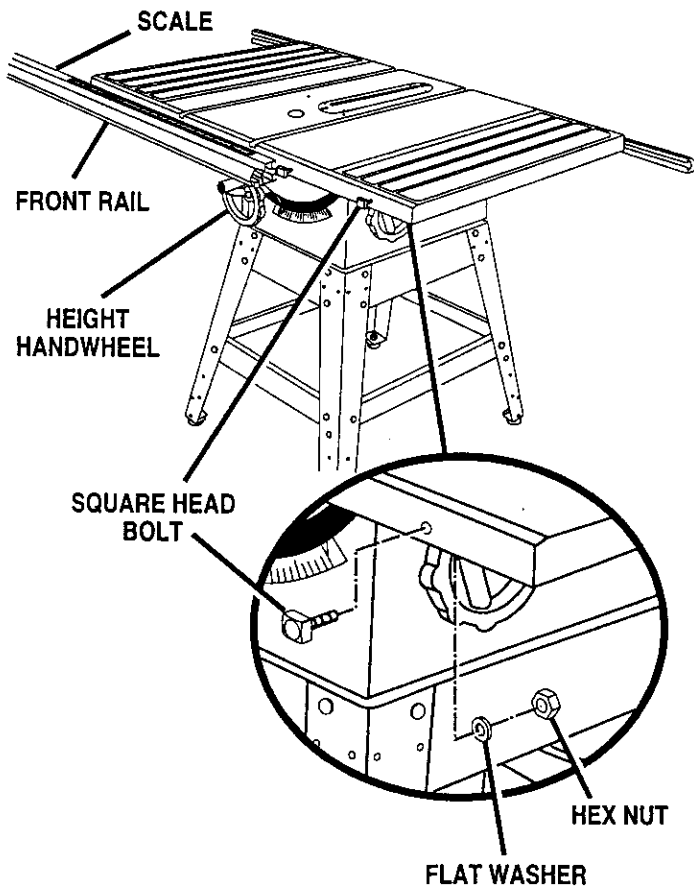


Fig. 6

INSTALLATION

- Insert the two remaining pan head screws into holes in the fine adjustment knob bracket.
- Attach the fine adjustment knob bracket to the bottom of the fence head on the right or the left side of the fence handle. Securely tighten the two screws.

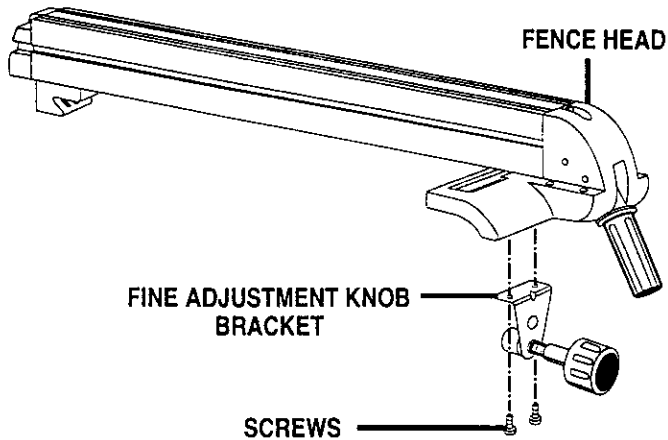


Fig. 9

MOUNTING THE SWITCH

- Locate the switch assembly. The fasteners should still be attached.

Note: If the fasteners were removed from the switch, see instructions in your table saw Owner's Manual for mounting the switch or refer to Figure 10.

- Holding the switch to the front, insert and slide the two square nuts into the lower slot of the front rail.

WARNING: Place the switch out of the immediate work area to avoid accidentally turning it off during operation.

- Slide the switch assembly to a convenient position, leaving ample clearance for the handwheel. Tighten securely with a screwdriver.
- Attach the front rail end caps and screws with a phillips screw driver. *See Figure 11.*

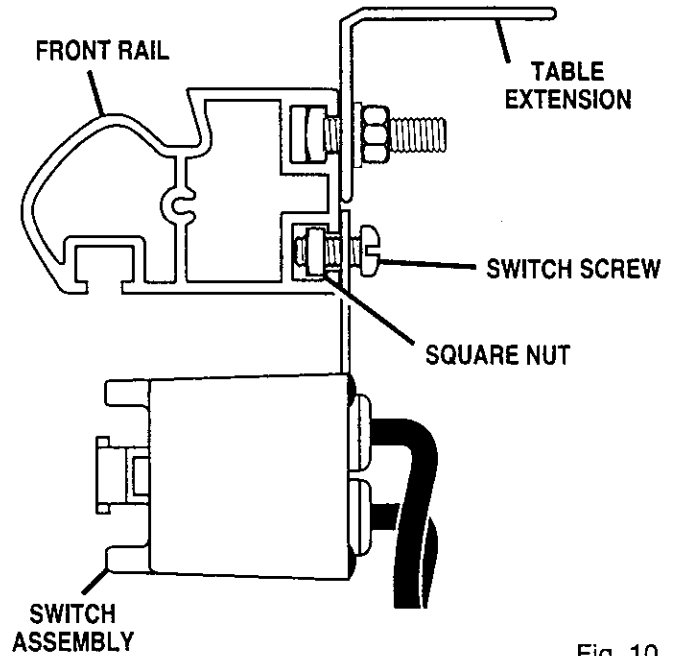


Fig. 10

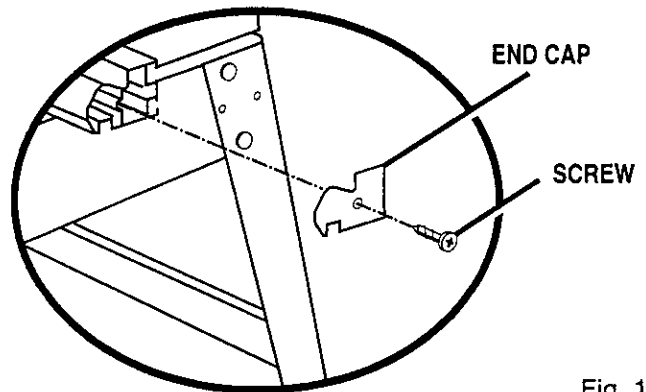


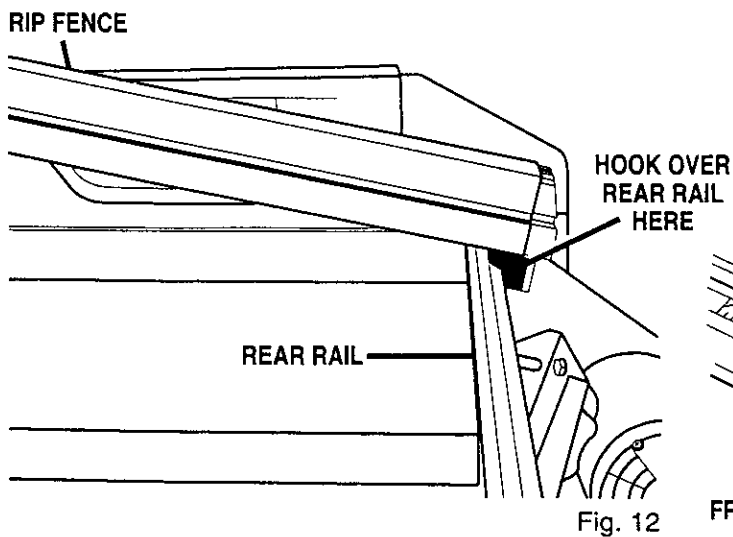
Fig. 11

INSTALLATION

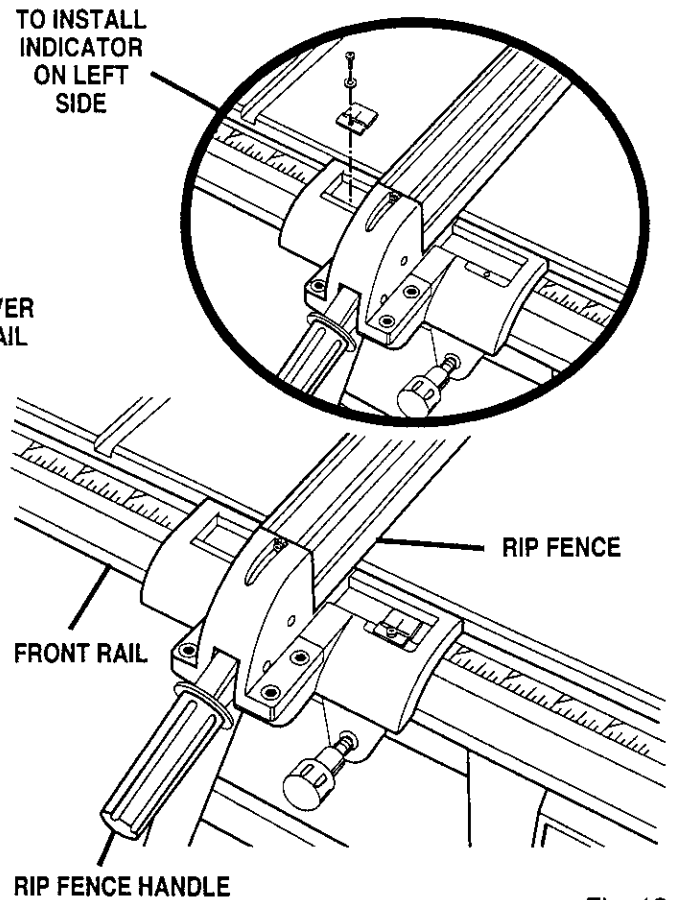
ALIGNING THE RIP FENCE AND FRONT RAIL

The rip fence scale indicator is installed on the right side of the rip fence but can be removed and re-installed on the left side if needed. If a cutting operation requires placing the rip fence on the left side of the blade, and you find relocating the indicator necessary, simply unscrew and re-attach it.

- Hook the back of the rip fence over the rear rail. *See Figure 12.* Lower the front of the rip fence into the groove on the front rail. *See Figure 13.*
- Slide the rip fence back and forth. It should move freely with about 1/16 in. clearance below the rip fence. If it doesn't, loosen the nuts holding the front rail and adjust the rail up or down. *See Figure 6.*



- Remove the rip fence and repeat on the other side of the blade. When the fence rides smoothly, tighten all rail hex nuts with a 12 mm wrench.
- Push in the micro-adjust knob and turn it. The gear on the shaft assembly will engage the rack teeth on the rack and will move the fence assembly left or right.
- Push down on the rip fence handle to lock the rip fence in place.



ALIGNMENT

CHECKING RIP FENCE AND BLADE ALIGNMENT

The rip fence is self-aligning but should be checked before first use.

⚠ WARNING: Failure to align the rip fence to the blade can cause jams and kickback, resulting in serious personal injury.

- Slide the rip fence to the miter gauge groove, which is parallel to blade. Do not lock the rip fence.
- Place a framing square against the blade, with the long end under the rip fence at the front. See Figure 14. Note the distance.
- Move the square to the back and measure the length from other end of the fence. See Figure 15.
- If the distances are different, loosen the four screws around the rip fence handle with a 6 mm hex key. Alternate the order (remove the screw opposite, not next to the first one). See Figure 16.
- Hold the fence handle against the front rail and align the rip fence with the blade.
- Retighten the screws in alternating order and check the alignment.
- Repeat until the rip fence is aligned.

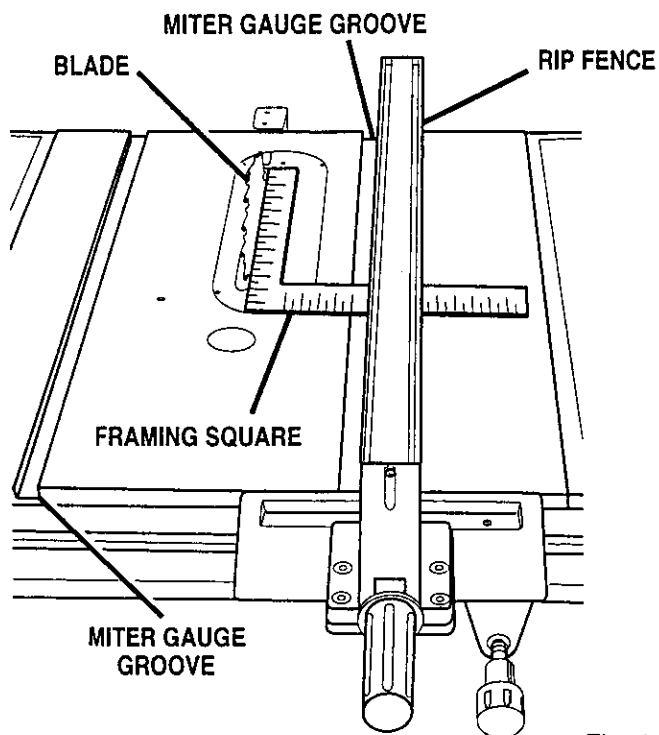


Fig. 14

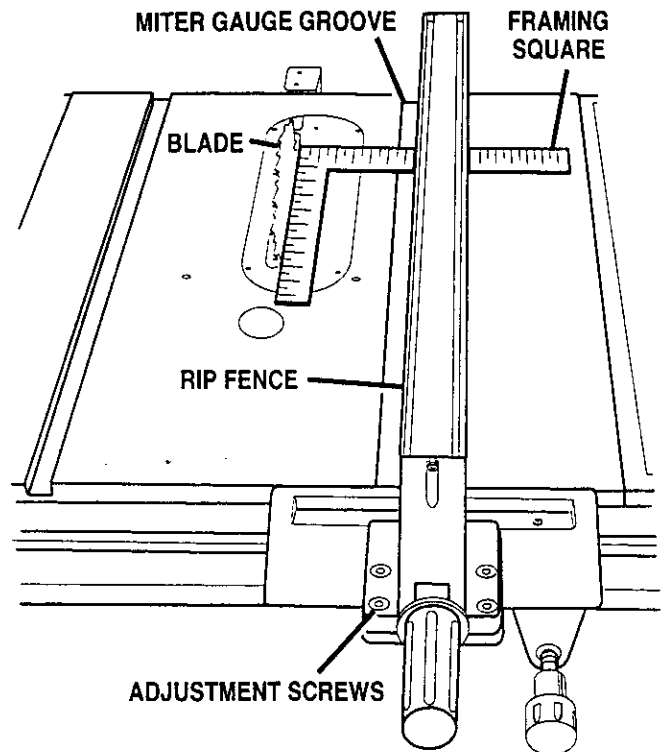


Fig. 15

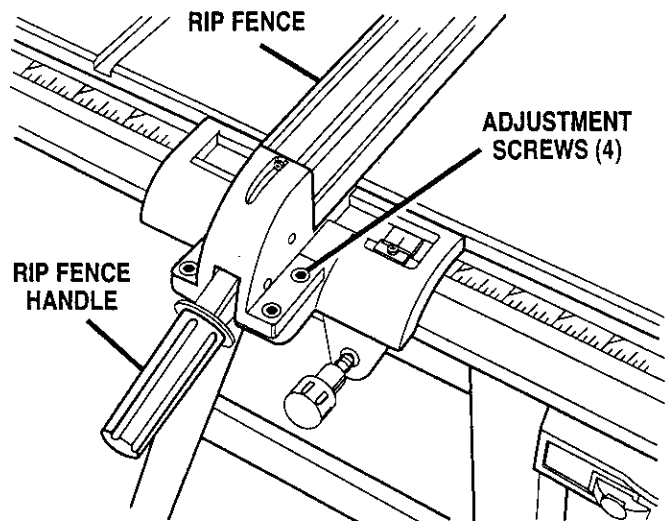


Fig. 16

Note: To insure proper self alignment when positioning rip fence, push sides of scale indicator housing against front rail before locking rip fence handle.

Free Manuals Download Website

<http://myh66.com>

<http://usermanuals.us>

<http://www.somanuals.com>

<http://www.4manuals.cc>

<http://www.manual-lib.com>

<http://www.404manual.com>

<http://www.luxmanual.com>

<http://aubethermostatmanual.com>

Golf course search by state

<http://golfingnear.com>

Email search by domain

<http://emailbydomain.com>

Auto manuals search

<http://auto.somanuals.com>

TV manuals search

<http://tv.somanuals.com>