

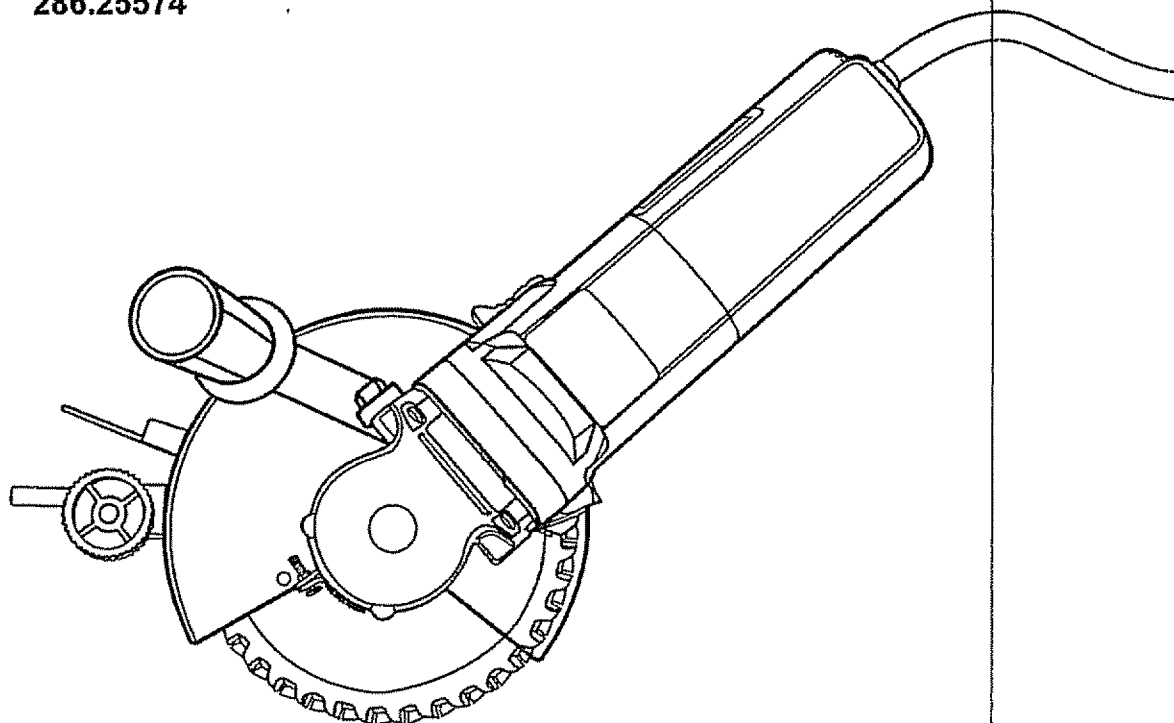
## Owner's Manual

**CRAFTSMAN**<sup>®</sup>

**P R O F E S S I O N A L**

# 6<sup>1</sup>/<sub>8</sub>-in. TWIN CUTTER SAW

Model No.  
286.25574



**⚠ CAUTION:** Read, understand and follow all Safety Rules and Operating Instructions in this manual before using this product.

- SAFETY
- OPERATION
- MAINTENANCE
- ESPAÑOL

Sears, Roebuck and Co., Hoffman Estates, IL 60179 U.S.A.  
Visit our Craftsman® website: [www.sears.com/craftsman](http://www.sears.com/craftsman)

5-25-06

## TABLE OF CONTENTS

Warranty.....	Page 2
Safety Instructions.....	Pages 3-8
Safety Symbols.....	Page 8
Description.....	Page 9
Operation.....	Pages 10-19
Removing and Installing Blades.....	Pages 17-19
Maintenance.....	Pages 19-20
Troubleshooting.....	Page 21
Accessories.....	Page 21
Repair Parts.....	Pages 22-23
Service Numbers.....	Back Cover

### **ONE FULL YEAR WARRANTY ON CRAFTSMAN® PROFESSIONAL TOOL**

If this Craftsman Professional tool fails to give complete satisfaction within 90 days from the date of purchase, return it to any Sears Store or other Craftsman Outlet in the United States for free replacement.


After 90 days and through one year from the date of purchase, if this Craftsman Professional tool fails to give complete satisfaction, return it to any Sears store or Parts & Repair Center or other Craftsman Outlet for free repair (or replacement if repair proves impossible.)

This warranty gives you specific legal rights, and you may also have other rights, which vary, from state to state.

Sears, Roebuck and Co., Hoffman Estates, IL 60179

**SAVE THESE INSTRUCTIONS!  
READ ALL INSTRUCTIONS!**

## **SAFETY INSTRUCTIONS**

 **WARNING: BE SURE** to read and understand all instructions. Failure to follow all instructions listed below may result in electric shock, fire and/or serious personal injury.

### **WORK AREA SAFETY**

1. **ALWAYS** keep your work area clean and well lit. Cluttered benches and dark areas invite accidents.
2. **DO NOT** operate power tools in explosive atmospheres, such as in the presence of flammable liquids, gases, or dust. Power tools create sparks which may ignite the dust or fumes.
3. **ALWAYS** keep bystanders, children, and visitors away while operating a power tool. Distractions can cause you to lose control

### **ELECTRICAL SAFETY**

1. Double insulated tools are equipped with a polarized plug (one blade is wider than the other.) This plug will fit in a polarized outlet only one way. If the plug does not fit fully in the outlet, reverse the plug. If it still does not fit, contact a qualified electrician to install a polarized outlet. Do not change the plug in any way.
2. Double insulation  eliminates the need for the three-wire grounded power cord and grounded power supply system. Applicable only to Class II (double insulated) tools.
3. Before plugging in the tool, **BE SURE** that the outlet voltage supplied is within the voltage marked on the tool's data plate. **DO NOT** use "AC only" rated tools with a DC power supply.
4. **ALWAYS** avoid body contact with grounded surfaces, such as pipes, radiators, ranges and refrigerators. There is an increased risk of electric shock if your body is grounded.
5. If operating the power tool in damp locations is unavoidable, **ALWAYS** use a Ground Fault Circuit Interrupter to supply power to your tool. **ALWAYS** wear electrician's rubber gloves and footwear in damp conditions.
6. **DO NOT** expose power tools to rain or wet conditions. Water entering a power tool will increase the risk of electric shock.
7. **DO NOT** abuse the cord. **NEVER** use the cord to carry the tools or pull the plug from the outlet. Keep cord away from heat, oil, sharp edges or moving parts. Replace damaged cords immediately. Damaged cords increase the risk of electric shock.
8. When operating a power tool outside, **ALWAYS** use an outdoor extension cord marked "W-A" or "W". These cords are rated for outdoor use and reduce the risk of electric shock.

**NOTE:** The extension cord must have adequate wire size AWG (American Wire Gauge) for safe, efficient use. Smaller gauge wires, have greater capacity (16 gauge wire has more capacity than 18 gauge wire).

## **SAFETY INSTRUCTIONS cont.**

### **PERSONAL SAFETY**

- 1. ALWAYS stay alert, watch what you are doing and use common sense when operating a power tool. DO NOT use tool while tired or under the influence of drugs, alcohol, or medication.** A moment of inattention while operating power tools may result in serious personal injury.
- 2. ALWAYS dress properly. DO NOT wear loose clothing or jewelry. Pull back long hair. Keep your hair, clothing, and gloves away from moving parts.** Loose clothes, jewelry, or long hair can be caught in moving parts.
- 3. ALWAYS avoid accidental starting. BE SURE switch is in the "Off" position before plugging in. DO NOT carry tools with your finger on the switch. Carrying tools with your finger on the switch or plugging in tools that have the switch in the "On" position invites accidents.**
- 4. ALWAYS remove adjusting keys or wrenches before turning the tool "On".** A wrench or a key that is left attached to a rotating part of the tool may result in personal injury.
- 5. DO NOT overreach. ALWAYS keep proper footing and balance at all times.** Proper footing and balance enables better control of the tool in unexpected situations.
- 6. ALWAYS use safety equipment. Always wear eye protection. Dust mask, non-skid safety shoes, hardhat, or hearing protection must be used for appropriate conditions.**

### **TOOL USE AND CARE SAFETY**

- 1. ALWAYS use clamps or other practical ways to secure and support the workpiece to a stable platform.** Holding the work by hand or against your body is unstable and may lead to loss of control.
- 2. DO NOT force the tool. Use the correct tool for your application.** The correct tool will do the job better and safer at the rate for which it is designed.
- 3. DO NOT use the tool if the switch does not turn it "On" or "Off".** Any tool that cannot be controlled with the switch is dangerous and must be repaired.
- 4. ALWAYS disconnect the plug from the power source before making any adjustments, changing accessories or storing the tool.** Such preventive safety measures reduce the risk of starting the tool accidentally.
- 5. ALWAYS store idle tools out of the reach of children and other untrained persons.** Tools are dangerous in the hands of untrained users.
- 6. ALWAYS maintain tools with care. Keep cutting tools sharp and clean.** Properly maintained tools with sharp cutting edges are less likely to bind and are easier to control.
- 7. ALWAYS check for misalignment or binding of moving parts, breakage of parts, and any other condition that may affect the tool's operation. If damaged, have the tool serviced before using.** Many accidents are caused by poorly maintained tools.

**⚠ WARNING: USE OF ACCESSORIES THAT ARE NOT RECOMMENDED FOR USE WITH THIS TOOL MAY CREATE A HAZARDOUS CONDITION**

- 8. ALWAYS use only accessories that are recommended for this tool.** Accessories that may be suitable for one tool can become hazardous when used on another tool.

## **SAFETY INSTRUCTIONS cont.**

### **SERVICE SAFETY**

1. If any part of this saw is missing or should break, bend, or fail in any way; or should any electrical component fail to perform properly: **ALWAYS** shut off the power switch and remove the saw plug from the power source and have the missing, damaged or failed parts replaced **BEFORE** resuming operation.
2. **Tool service must be performed only at a Sears Parts and Repair Center.** Service or maintenance performed by unqualified personnel could result in a risk of injury.

### **SAFETY RULES FOR SAWS**

**⚠ DANGER!** Keep hands away from cutting area and blades. Keep your second hand on the auxiliary handle or motor housing. If both hands are holding the saw, they cannot be cut by the blades.

1. **ALWAYS** keep your body positioned to either side of the saw blades, but not in line with the saw blades.
2. **DO NOT** reach underneath the work. The guard cannot protect you from the blades beneath the work.
3. **ALWAYS** check guard for proper closing **BEFORE** each use. **DO NOT** operate the saw if the guard does not move freely and close instantly. Never clamp or tie the blade guard in the open position. If the saw is accidentally dropped, the guard may be bent. Raise the guard and make sure that it moves freely and does not touch the blades or any other part.
4. **ALWAYS** check the operation and condition of the guard spring. If the guard and the spring are not operating properly, they **MUST** be serviced before use. The blade guard may operate sluggishly, due to damaged parts, gummy deposits, or a buildup of debris.
5. The guard should be retracted manually **ONLY** for making special cuts, such as pocket or compound cuts. **ALWAYS** raise the guard by retracting the handle. As soon as the blade enters the material, the guard **MUST** be released. For all other sawing, the guard should operate automatically.
6. **ALWAYS** make sure that the guard is covering the blades **BEFORE** placing the saw down on a work bench or floor. An unprotected moving blades will cause the saw to walk backwards, cutting whatever is in its path. Make note of the time it takes for the blades to stop spinning after the switch is released.
7. **NEVER** hold the piece being cut in your hands or across your legs. It is important to support the work properly in order to minimize body exposure, blade binding, or loss of control.
8. **ALWAYS** hold tool by insulated gripping surfaces when performing an operation where the cutting tool may contact hidden wiring or its own cord. Contact with a "live" wire will make the exposed metal parts of the tool "live" and shock the operator.
9. **DO NOT** leave the saw running when carrying it in your hand. The lower blade guard may be opened by contact with your clothing. Accidental contact with the spinning saw blades could result in serious personal injury.
10. **DO NOT** use the tool if the switch does not turn "On" or "Off". Any tool that cannot be controlled with the switch is dangerous and must be repaired.

## **SAFETY INSTRUCTIONS cont.**

### **SAFETY RULES FOR SAW cont.**

11. When removing the blades from the tool, **ALWAYS** wear protective gloves when grasping the blades or accessory. Accessories may be hot after prolonged use.

### **KICKBACK...WHAT CAUSES IT AND WAYS TO PREVENT IT**

#### **The Causes of Kickback**

1. Kickback is a sudden reaction to a pinched, bound or misaligned saw blades, which cause the uncontrolled saw to lift up and out of the workpiece and towards the operator.
2. When the blades are pinched or bound tightly by the kerf closing down, the blades stall and the motor reaction drives the unit rapidly back towards the operator.
3. If the blades become twisted or misaligned in the cut, the teeth at the back edges of the blades can dig into the top surface of the wood. This causes the blades to climb out of the kerf and jump back towards the operator.
4. Kickback is a result of tool misuse and/or incorrect operating procedures or conditions. It can be avoided by taking the proper precautions, as listed below.

#### **Ways to Prevent Kickback**

1. **ALWAYS** maintain a firm grip with both hands on the saw and position your body and arms to allow you to resist **KICKBACK** forces. **KICKBACK** forces can be controlled by the operator, if the proper precautions are taken.
2. If the blades are binding, or when you are interrupting a cut for any reason, **ALWAYS** turn off the saw and hold the saw motionless in the material until the blades come to a complete stop. **NEVER** attempt to remove the saw from the work or pull the saw backward while the blades are in motion or **KICKBACK** may occur. **ALWAYS** check and be ready to take corrective action to eliminate the cause of blade binding.
3. When restarting the saw in the workpiece, **ALWAYS** center the blades in the kerf and check to be sure that the saw teeth are not engaged into the material. If the saw blades are binding, they may walk up or **KICKBACK** from the workpiece when the saw is restarted.
4. **ALWAYS** support large panels to minimize the risk of blades pinching and **KICKBACK**. Large panels tend to sag under their own weight. Supports **MUST** be placed under the panel on both sides, near the line of cut and near the edge of the panel.
5. **DO NOT** use a dull or damaged blades. Unsharpened or improperly set blades produce narrow kerf which causes excessive friction, blade binding and **KICKBACK**.
6. **ALWAYS** use extra caution when making a "Pocket Cut" into existing walls or other blind areas. The protruding blades may cut objects that can cause **KICKBACK**.
7. **ALWAYS** have the saw blades at full speed before contacting workpiece
8. **ALWAYS** keep your body positioned to either side of the saw blades, but not in line with the saw blades. **KICKBACK** could cause the saw to jump backwards towards the operator. **KICKBACK** forces can be controlled by the operator, if proper precautions are taken.

**ALWAYS** hold tool by insulated gripping surfaces when performing an operation where the cutting tool may contact hidden wiring or its own cord. Contact with a "live" wire will make the exposed metal parts of the tool "live" and shock the operator.

## **SAFETY INSTRUCTIONS cont.**

### **ADDITIONAL RULES FOR SAFE OPERATION**

**⚠ WARNING: BE SURE** to read and understand all instructions. Failure to follow all instructions listed below may result in electric shock, fire and/or serious personal injury.

- 1. Know your power tool. Read operator's manual carefully. Learn the applications and limitations, as well as the specific potential hazards related to this tool.** Following this rule will reduce the risk of electric shock, fire or serious injury.
- 2. ALWAYS wear safety glasses or eye shields when using this saw. Everyday eyeglasses have only impact-resistant lenses; they are NOT safety glasses.** Following this rule will reduce the risk of serious personal injury.
- 3. ALWAYS protect your lungs. Wear a face mask or dust mask if the operation is dusty.** Following this rule will reduce the risk of serious personal injury.
- 4. ALWAYS protect your hearing. Wear hearing protection during extended periods of operation.** Following this rule will reduce the risk of serious personal injury.
- 5. ALWAYS inspect the tool cords periodically and if damaged have them repaired at your nearest Sears Service Center or other Authorized Service Facility. ALWAYS be aware of the cord location.** Following this rule will reduce the risk of electric shock or fire.
- 6. ALWAYS check for damaged parts. Before further use of the tool, a guard or other part that is damaged should be carefully checked to determine if it will operate properly and perform its intended function. Check for misalignment or binding of moving parts, breakage of parts, and any other condition that may affect the tool's operation. A guard or other part that is damaged, should be properly repaired or replaced at a Sears Service Center.** Following this rule will reduce the risk of electric shock, fire or serious injury.
- 7. DO NOT abuse the cord. NEVER use the cord to carry the tool or pull the plug from the outlet. Keep cord away from heat, oil, sharp edges or moving parts. Replace damaged cords immediately. Damaged cords increase the risk of electric shock.** Following this rule will reduce the risk of electric shock or fire.
- 8. ALWAYS make sure that your extension cord is in good condition. When using an extension cord be sure to use one that is heavy enough to carry the current that your tool will draw. A wire gauge size (A.W.G.) of at least 16 is recommended for an extension 100 feet or less in length. Using an extension cord that is over 100 feet in length is not recommended. If in doubt, use the next heavier gauge. Smaller gauge wires, have greater capacity (16 gauge wire has more capacity than 18 gauge wire). An undersized cord will cause a drop in line voltage, resulting in loss of power and overheating.**
- 9. DO NOT use the tool while tired or under the influence of drugs, alcohol or any medication.** Following this rule will reduce the risk of electric shock, fire or serious personal injury.
- 10. SAVE THESE INSTRUCTIONS. Refer to them frequently and use them to instruct others who may use this tool. If someone borrows this tool, make sure they have these instructions also.**

## SAFETY INSTRUCTIONS cont.

### ADDITIONAL RULES FOR SAFE OPERATION cont.

**⚠ WARNING:** Some dust particles created by power sanding, sawing, grinding, drilling and other construction jobs contains chemicals known to cause cancer, birth defects or other reproductive harm. Some examples of these chemicals are:

- Lead from lead-based paints.
- Crystalline silica from bricks and cement and other masonry products.
- Arsenic and chromium from chemically-treated lumber.

Your risk from these exposures varies, depending upon how often you do this type of work. To reduce your exposure to these chemicals:

- Work in a well-ventilated area.
- Work with approved safety equipment, such as those dust masks that are specially designed to filter out microscopic particles.



**⚠ WARNING:** The operation of any saw can result in foreign objects being thrown into your eyes, which can result in severe eye damage. Before beginning power tool operation, **ALWAYS** wear safety goggles or safety glasses with side shield and a full face shield when needed. We recommend A Wide Vision Safety Mask for use over eyeglasses or standard safety glasses with side shield, available at Sears Retail Stores.

## SAFETY SYMBOLS

The label on your tool may include the following symbols.

V	Volts
A	Amperes
Hz	Hertz
W	Watts
min.	Minutes
~	Alternating current
—	Direct current
n <sub>o</sub>	No-load speed
□	Class II construction
/min	Revolutions or Strokes per minute
⚠	Indicates danger, warning or caution. It means attention! Your safety is involved.

**IMPORTANT! READ ALL INSTRUCTIONS**



## DESCRIPTION

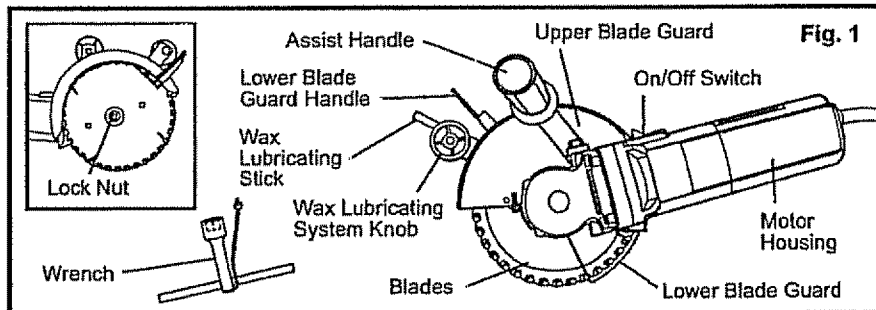
Before attempting to use any tool, be sure to familiarize with all the operating features and safety instructions.

**⚠ WARNING: DO NOT** let familiarity with your saw make you careless. Remember that a careless fraction of a second is sufficient to cause severe injury.

### KNOW YOUR SAW (SEE Fig. 1)

Your Twin Cutter saw has many built-in convenience features for fast, efficient cutting. These features include a innovative 2-blade system with special blades that spin in opposite directions to provide smooth, clean cuts. It also includes a pre-installed blade lubricating system for use when cutting aluminum, copper, stainless steel and cast iron. The auxiliary handle mounts on the top of the saw to provide maximum support and ease of handling.

For your convenience, there is no assembly required for your Twin Cutter Saw. The special 2-blade cutting system and the wax lubricating system are already installed.



### PRODUCT SPECIFICATIONS

Input	7.8 Amps
Output	1.25-Peak HP
Blade Diameter	6 <sup>7</sup> / <sub>8</sub> in. (155mm)
Rating	120 volts, 60 Hz AC
No-load Speed	4600 RPM
Maximum Depth of Cut	wood (1 <sup>1</sup> / <sub>2</sub> in.) metal (with a wall or sheet thickness of 1/8 in.)
Duty Cycle	30 minutes on 10 minutes off (see page 12)

## ASSEMBLY

### UNPACKING

Your Twin Cutter Saw has been shipped completely assembled. Inspect the saw carefully to make sure that no breakage or damage has occurred during shipping. If any parts are damaged or missing return the saw to your nearest Sears Store to have it replaced.

**⚠ WARNING:** If any parts are missing, **DO NOT** operate this saw until the missing parts are replaced. Failure to do so could result in possible serious personal injury

## OPERATION

### SAW BLADES

Even the best saw blades will not cut efficiently if they are not kept clean and sharp. Using dull blades will place a heavy load on your saw and increase the danger of kickback. Keep extra blades on hand, so sharp blades are always available.

Gum and wood pitch hardened on your blades will slow your saw down. Use gum and pitch remover, hot water or kerosene to remove these accumulations.

**DO NOT** use gasoline.

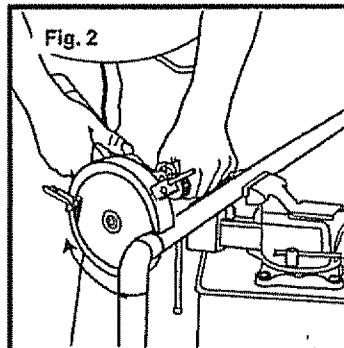
**⚠ WARNING:** This Twin Cutter saw uses specially designed 6 1/8-in. blades and no other types or sizes of blades should ever be used. Other types and sizes of blades will not operate safely in this saw and could result in serious personal injury.

To order extra blades or to replace the blades that came with the saw, see page 21 of this manual for ordering instructions. To install new blades onto to your saw see the special instructions on pages 17 to 19 of this manual for proper removal and installation of blades.

### BLADE GUARD SYSTEM

The lower blade guard, attached to your saw, is there for your protection and safety. It should **NEVER** be altered for any reason. If it becomes damaged or begins to return slowly or sluggishly. **DO NOT** operate your saw until the problem has been corrected or the damaged part has been replaced. **ALWAYS** leave the guard in its correct operating position when using the saw.

**⚠ DANGER:** When sawing through a workpiece, the lower blade guard does not cover the blade on the underside of the workpiece. Since the blade is exposed on the underside of the workpiece, **ALWAYS** keep your hands and fingers away from the cutting area (see Fig. 2). Any part of your body coming in contact with the moving blade will result in serious injury.



Lower Blade Guard is in UP position when making a cut. Blades are exposed on underside of workpiece.

**⚠ WARNING: NEVER** use the saw when the guard is not operating properly. The guard should be checked for correct operation before each use. If you drop your saw, check the lower blade guard for damage before using.  
**NOTE:** The guard is operating properly when it moves freely and then readily returns to the closed position. If, for any reason, your lower blade guard does not close freely, take it to your nearest Sears Repair Center for service before using it.

## OPERATION cont.

### KICKBACK

Kickback occurs when the blades stall rapidly and the saw is driven back towards you. Blade stalling is caused by any action which pinches the blade in the material being cut.

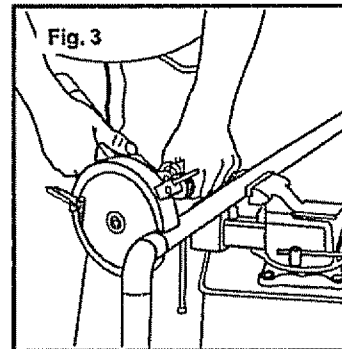
**IMPORTANT:** The best guard against kickback is to avoid dangerous practices.

**⚠ DANGER:** ALWAYS turn OFF power to saw immediately if the blades bind or the saw stalls. Kickback could cause you to lose control of the saw. Loss of control can lead to serious injury.

**ALWAYS** provide proper support for the workpiece and hold the saw with both hands

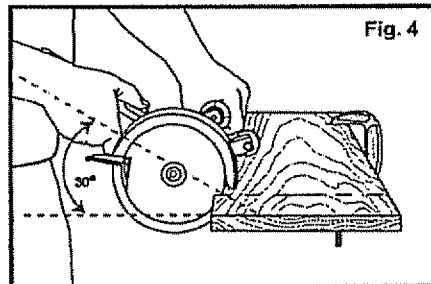
**Kickback is Caused By:**

1. Twisting the blades while making a cut.
2. Making a cut with a dull, gummed up, or improperly set blades.
3. Not providing proper support for workpiece. **ALWAYS** provide proper support as shown in Fig. 3.
4. Forcing a cut.
5. Cutting warped or wet lumber.
6. Tool misuse or incorrect operating procedures.
7. Contacting the workpiece with blades at less than full speed.



**To Lessen the Chance of Kickback**

1. **ALWAYS** approach the workpiece with the saw at an angle of approximately 30° to the workpiece. (see Fig. 4.)
2. **ALWAYS** make straight cuts. This will help prevent twisting the blade in the cut.
3. **ALWAYS** use clean, sharp and properly set blades. **NEVER** make cuts with dull blades.
4. **ALWAYS** properly support the workpiece before beginning a cut. This will help you avoid pinching the blades (see Fig. 3).
5. **ALWAYS** use steady, even pressure when making a cut. **NEVER** force the cut.
6. **DO NOT** cut wet or warped lumber.
7. **ALWAYS** hold the saw firmly with both hands and keep your body in a balanced position. **ALWAYS** keep your body positioned to either side of the saw blades, but not in line with the saw blades. This will help you resist the forces of kickback, should it occur.



**IMPORTANT:** When using your saw, **ALWAYS** stay alert and exercise control. **DO NOT** remove your saw from the workpiece, while the blade is moving.

## OPERATION cont.

### STARTING A CUT

#### IMPORTANT:

**BEFORE** using the Twin Cutter Saw for the first time, **ALWAYS** familiarize yourself with the saw by making practice cuts in scrap materials.

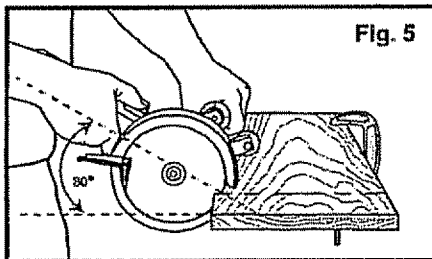
The weight of this saw helps to make the cuts smoother. Learn how to safely handle and control the weight of the saw.

**ALWAYS** be sure that you position the blades perpendicular to the plane of the workpiece. Make the cut at an approximate 30° angle to the workpiece surface. (See Fig. 5).

Practice the proper feed speed rate for the materials being cut.

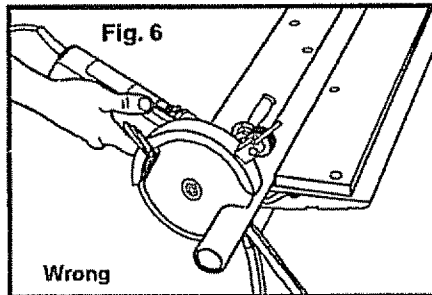
Engage the on/off switch to start the saw. **ALWAYS** let the blades reach full speed before you begin the cut into the workpiece.

**IMPORTANT:** When using your saw, **ALWAYS** stay alert and exercise control. **DO NOT** remove your saw from the workpiece, while the blade is moving.

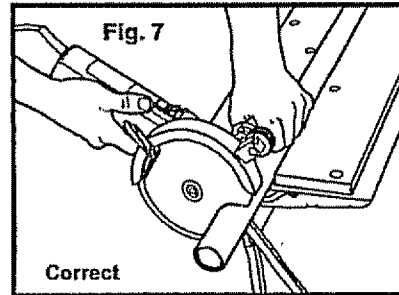


Blades perpendicular to workpiece  
Approximately 30°

**⚠ WARNING: ALWAYS** maintain proper control of the saw to make sawing safer and easier. Loss of control of the saw could cause an accident resulting in possible serious injury.



**NEVER** hold the saw with just one hand (see Fig. 6).



**ALWAYS** hold saw by motor body and assist handle (see Fig. 7).

### DUTY CYCLE

**30 minutes on 10 minutes off** duty cycle refers to **short-time operation**. Short time operation denotes operation under normal load for a specified period and material, starting cold, the interval between each period of operation being sufficient to allow the tool to cool down approximately to room temperature.

## **OPERATION cont.**

### **TO HELP MAINTAIN CONTROL**

1. **ALWAYS** support the workpiece near the cut.
2. **ALWAYS** support the workpiece so the cut will be on your right.
3. **ALWAYS** clamp the workpiece so it will not move during the cut.

Place the workpiece with the good side down. **NOTE:** The good side is the side where appearance is important.

Before starting a cut, draw a guideline along the desired line of cut. Then place the front edge of the saw blades on the part of the workpiece that is solidly supported.

4. **ALWAYS** keep the cord away from the cutting area. **ALWAYS** place the cord so it does not hang up on the workpiece when making a cut.

**⚠ DANGER:** If the cord hangs up on the workpiece during a cut, release the on/off switch immediately. Unplug the saw and move the cord to prevent it from hanging up again.

**⚠ DANGER:** Using the saw with a damaged cord could result in serious injury or death. If the cord has been damaged, have it replaced before using the saw again.

**⚠ WARNING:** If the blades come in contact with the workpiece before they reach full speed, it could cause the saw to kickback towards you, resulting in serious injury.

When making a cut, **ALWAYS** use steady, even pressure. Forcing the saw causes rough cuts and could shorten the life of the saw or cause kickback.

**⚠ DANGER:** When sawing through the workpiece, the lower blade guard does not cover the blades. The blades are exposed on the under side of the workpiece. **ALWAYS** keep your hands and fingers away from the cutting area. Any part of your body coming in contact with the moving blades will result in serious injury.

After completing your cut, release the on/off switch and allow the blades to come to a complete stop. **DO NOT** remove the saw from the workpiece while the blades are moving.

**⚠ CAUTION:** Whenever you lift your saw from the workpiece, the blades are exposed on the under side of the saw until the lower blade guard closes. **ALWAYS MAKE SURE** that the lower blade guard is closed before setting the saw down on work surface.

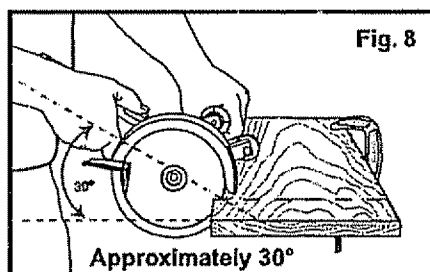
## OPERATION cont.

### CUTTING INSTRUCTIONS

**NOTE:** The life span of the blades on your Twin Cutter saw and the quality of the cutting edges is dependent on keeping vibrations to a minimum.

**ALWAYS** securely clamp the workpiece **BEFORE** beginning a cut. Then feed the blade through the material at an angle of approximately 30° (see Fig. 8).

**This saw produces hot chips, not sparks, when cutting metal. It is recommended that you wear a face shield over safety glasses to protect your face.**



### FEED SPEED

Feed speed is how quickly you push the saw blades through the material being cut. The correct feed speed is totally determined by the hardness and the thickness of the material being cut.

**IMPORTANT:** Feeding must **ALWAYS** be done with the blades perpendicular to the plane of the workpiece (See Fig. A). Feeding at an angle can burn the blade and damage the blade teeth (See Fig. B).

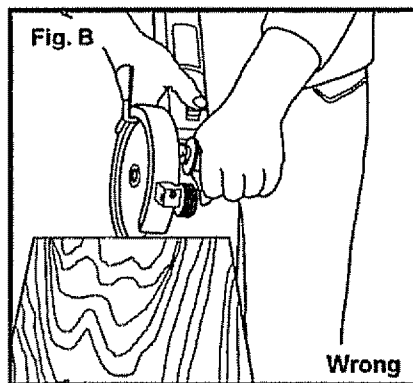
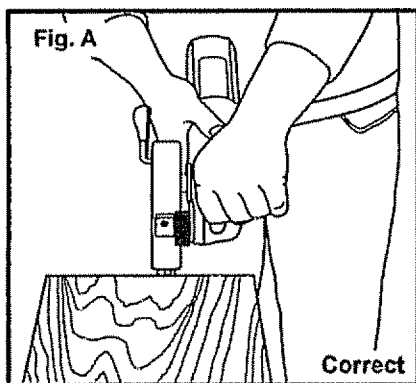
**Selecting the correct feed speed is important.**

**If the feed speed is too slow:**

1. The blades will only press down on the material rather than cutting it.
2. The blade edges glide and wear down the material.
3. A poor cut will result and cause excessive wear on the blades

**If the feed speed is too fast:**

1. There is a definite risk that the cut might split and the splintered opening of the cut will not be sufficient to divert the wood shavings.
2. A poor cut will result with a significant discharge of wood shavings on the lower side of the cut.



## OPERATION cont.

### CUTTING INSTRUCTIONS cont.

#### WHAT IT CUTS

The blades supplied with the saw are universal in application and will give clean, smooth cuts in:

- Wood up to a maximum depth of 1½ inch.
- Mild steel tubing or sheets with a maximum wall or sheet thickness of 1/8 inch.
- Copper, stainless steel, aluminum, cast iron tubing or sheets with a wall thickness of 1/8 inch. When cutting these materials, the wax lubricating sticks **MUST BE USED**.
- Plastic pipe or sheets of a wall thickness of 1/8 inch.

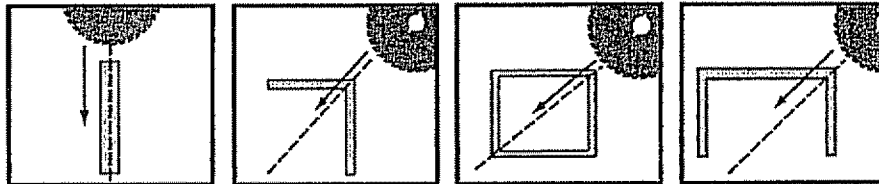
**IMPORTANT:** The Twin Cutter **WILL NOT CUT** masonry, cement or brick material.

**IMPORTANT:** Once the blades become worn, chipped or dull, they **MUST BE** replaced immediately.

#### CUTTING ALL MATERIALS

1. **ALWAYS** have the saw blades at full speed before contacting workpiece.
2. **ALWAYS** hold the saw so the blades feed perpendicularly into the workpiece. Hold the saw at an approximate 30° angle.
3. **ALWAYS** keep your body positioned to either side of the saw blades, but not in line with the saw blades.
4. Feed the blades into the workpiece until the desired cut is made.
5. The kerf (width of the cut) of the twin blades is approximately 1/8th of an inch. Always be sure to allow for this kerf width.

This Twin Cutter Saw with its special blades and cutting action is a highly versatile tool that quickly and efficiently provides smooth, efficient cuts a wide variety of materials:

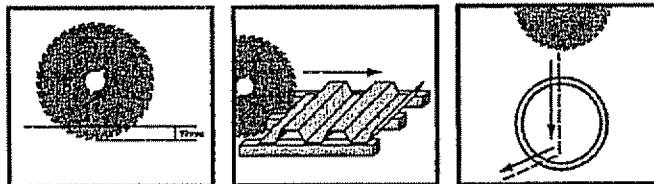


Flat Iron Bar

Corner Piece

Rectangular Pipe

U-Section



Thin Plate


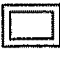


Shaped Plate

Pipes

## OPERATION cont.

### CUTTING ALL MATERIALS cont.

#### MAXIMUM STOCK SIZE AND FEED RATES

C/S TYPE	MATERIALS	MAX. SIZE (CROSS SECTION)	MAX THICKNESS	AVERAGE BLADE LIFE	AVERAGE TIME OR FEED
Hollow Pipe 	Galvanized Iron	1 1/2-in	1/8-in.	285 cuts	20 Sec
Square Channel 	M.S.	1 1/2-in.	1/8-in.	105 cuts	30 Sec
	Aluminum	1 1/2-in.	1/8-in.	4000 cuts	5 Sec
Channel 	M.S.	1 1/2-in	1/8-in.	95 cuts	30 Sec
Sheet Metal 	M.S.	-	1/8-in.	60 feet	4.3 Inch/min
	Aluminum	-	1/8-in.	85 feet	102 Inch/min
Stud	Wood (Pine)	2 x 4-in.	1 1/2-in.	4500 cuts	11 Sec
Pipe	Plastic (PVC)	1 1/2-in.	3/16-in.	6000 cuts	6 Sec

*Ps.* Average blade life indicates results of performance test in particular type of test material as per the above table. However the results may vary if the same blade is used on a combination of listed materials.

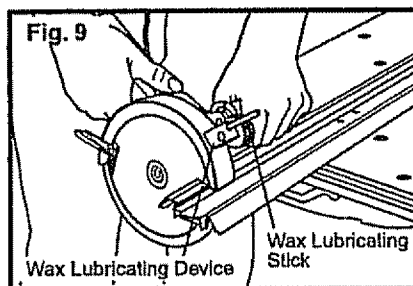
#### DUTY CYCLE

**30 minutes on 10 minutes off duty cycle** refers to **short-time operation**. Short time operation denotes operation under normal load for a specified period and material, starting cold, the interval between each period of operation being sufficient to allow the tool to cool down approximately to room temperature.

**Cutting other materials may require even more special handling. These include cutting aluminum, copper, stainless steel and cast iron or shaped plates**

**Cutting Aluminum, Copper, Stainless Steel and Cast Iron up to 1/8-in. thick.**  
(See Fig. 9).

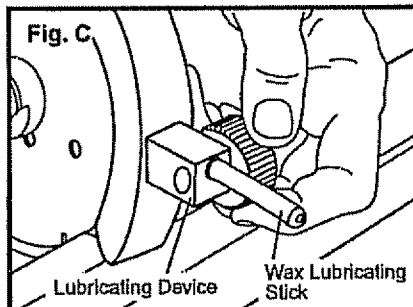
- 1. ALWAYS** use the wax lubricating device (included) when cutting these materials because they have a tendency to soften and adhere to the blades.



#### LUBRICATING INSTRUCTIONS (See Figure C)

The blades of your Twin Cutter saw are equipped with "dry cut teeth that under normal cutting conditions do not need to be lubricated. However, in extreme cutting conditions, such as when you are sawing into aluminum, copper, stainless steel and cast iron, the wax lubricating device should be used.

1. Insert wax lubricating stick into wax lubricating device.
2. Turn feeder wheel to apply lubricant to blade. A 1/4 turn should provide adequate lubrication.



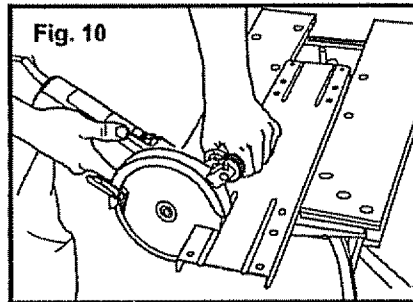


## OPERATION cont.

### CUTTING INSTRUCTIONS cont.

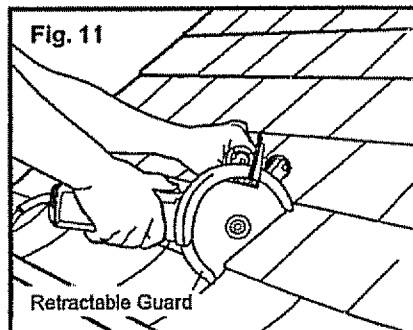
#### Cutting Shaped Plates up to 1/8-in. thick (See Fig. 10)

1. When cutting shaped metal plate **ALWAYS** support the plate evenly on both sides and in the middle with support blocks. This will keep it from flexing when cutting. This should be done, whether you're using a clamping table, or using adjustable clamps on a flat work table.



#### PLUNGE CUTTING (See Figure 11)

1. Raise the retractable guard into the open position with your left hand.
2. Use the thumb of your left hand to hold the guard in the open position while gripping the saw's assist handle.
3. Turn on the saw and plunge the blades into the material to be cut.
4. Push the saw forward to complete the cut.
5. Turn off saw, allow blades to stop completely, then remove saw from workpiece.
6. Clean out the corners of the cut with a hand saw or sabre saw, depending on project.



**NOTE:** When cutting roofing materials, blades must be kept clean with a tar and pitch blade cleaning solvent

#### REMOVING BLADES FROM SAW (See Figs. 12 - 15)

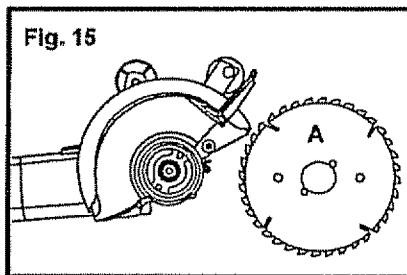
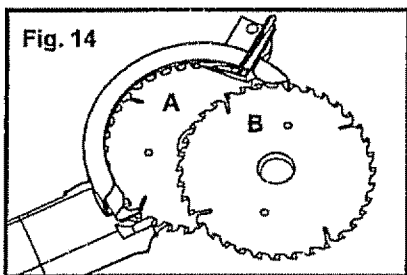
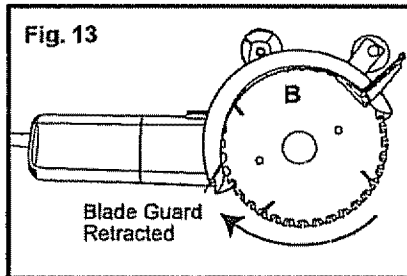
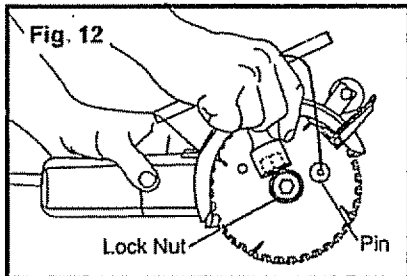
1. Unplug the saw and allow blades to cool.

**⚠ WARNING:** Failure to unplug the saw could result in accidental starting causing possible serious personal injury.

2. Rotate the blades until the holes in both blades are aligned. Then place pin attached to the wrench through holes in blades. Unscrew Lock Nut counterclockwise and remove (see Fig. 12).
3. Open the retractable guard (see Fig. 13).
4. Lift up and remove Blade "B" (see Fig. 14).
5. Lift up and remove Blade "A" (see Fig. 15).

## OPERATION cont.

### REMOVING BLADES FROM SAW cont. (See Figs. 12 - 15)



### ATTACHING REPLACEMENT BLADES TO THE SAW (See Figs. 16 - 19)

**⚠ WARNING:** This Twin Cutter saw uses specially designed 6 $\frac{1}{8}$ -in. blades and no other types or sizes of blades should ever be used. Other types and sizes of blades will not operate safely in this saw and could result in serious personal injury.

See the accessories section of this manual for the proper replacement blades that are needed for this saw.

1. Unplug the saw.

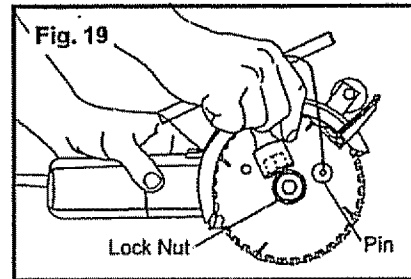
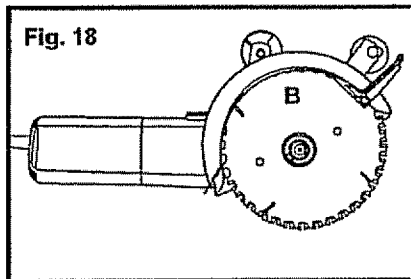
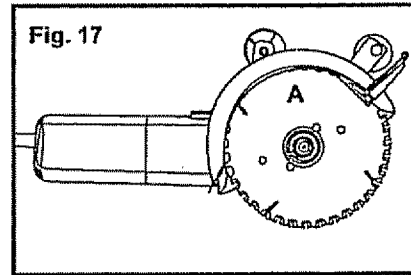
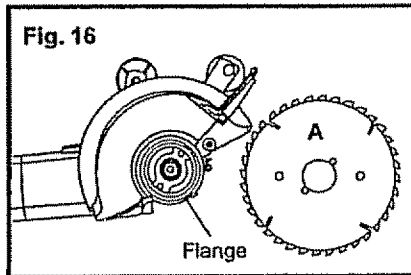
**⚠ WARNING:** Failure to unplug the saw could result in accidental starting causing possible serious personal injury.

2. Lay the saw down with the blade arbor pointing upward.
3. Place blade "A" onto the blade flange with the "A" clearly visible (see Fig. 16).
4. Align the holes on the blade with the pins on the flange and securely fit the blade on the flange (see Fig. 17).
5. Place blade "B" onto the arbor with the "B" easily visible, then thread lock nut onto shaft. DO NOT tighten, (see Fig. 18).
6. Turn the blades so that the holes in both blades are lined up.

## OPERATION cont.

### ATTACHING REPLACEMENT BLADES TO THE SAW cont. (See Figs. 16 - 19)

7. Place the pin (included with the wrench) into the lined up holes.
8. Tighten the lock nut clockwise with the wrench and then remove the pin from the blades (see Fig. 19). This will allow the blades to turn freely.
9. Carefully turn blades with your hand to be sure they easily turn in opposite directions.



## MAINTENANCE

### GENERAL

**⚠ WARNING:** To avoid accidents, **ALWAYS** disconnect the tool from the power source **BEFORE** cleaning or performing any maintenance.

All parts represent an important part of the double insulation system and should be serviced only at a Sears Service Center.

Avoid using solvents when cleaning plastic parts. Most plastics are susceptible to damage from various types of commercial solvents and may be damaged by their use. Use clean cloths to remove dirt, carbon dust, etc.

**⚠ WARNING:** **DO NOT** at any time let brake fluids, gasoline, petroleum-based products, penetrating oils, etc. to come in contact with plastic parts. They contain chemicals that can damage, weaken or destroy plastic.

## **MAINTENANCE cont.**

### **GENERAL cont.**

It is a known fact that electric tools are subject to accelerated wear and possible premature failure when they are used to work on fiber glass boats and sports cars, wallboard, spackling compounds or plaster. The chips and grindings from these materials are highly abrasive to electrical tool parts, such as bearings, brushes, commutators, etc. Consequently, it is not recommended that this tool be used for extended work on any fiber glass material, wallboard, spackling compound, or plaster. During any use on these materials, it is extremely important that the tool is cleaned frequently by blowing with an air jet.

**⚠ WARNING:** ALWAYS wear safety goggles or safety glasses with side shields or face shield when blowing dust from tool when cleaning it. If operation is dusty, also wear a dust mask.

### **LUBRICATION**

All of the bearings in this tool are lubricated with a sufficient amount of high-grade lubricant for the life of the tool under normal operating conditions. Therefore, no further lubrication is required.

### **DOUBLE INSULATION**

Double insulation is a concept in safety in electric power tools, which eliminates the need for the standard 3-wire grounded power cord. All exposed metal parts are isolated from the internal motor components with protective insulation. Double insulated tools do not need to be grounded.

### **IMPORTANT**

The servicing of a tool with double insulation requires extreme care and knowledge of the system and should be performed only by a qualified service technician. For service, we recommend that you return the tool to your nearest Sears Service Center for repair. **ALWAYS** use original factory replacement parts when servicing.

### **EXTENSION CORDS**

The use of any extension cord will cause some loss of power. To keep the loss at a minimum and to prevent overheating, use an extension cord that is heavy enough to carry the current that the tool will draw.

A wire gauge (AWG) of at least 16 is recommended for an extension cord 100 feet or less in length. When working outdoors **ALWAYS** use an extension cord that is suitable for outdoor use. The cord's jacket will be marked WA.

**⚠ CAUTION:** Keep extension cords away from the cutting area, and position the cord so it will not get caught on lumber, tools, etc. during the cutting operation

**⚠ DANGER:** Check extension cords before each use. If damaged, replace it immediately. **NEVER** use a tool with a damaged cord because touching the damaged area could cause electrical shock, resulting in serious injury.

Extension cords that are suitable for use with your saw are available at your nearest Sears Store.

## TROUBLESHOOTING

PROBLEM	CAUSE	SOLUTION
An unusually large amount of sparks	<ol style="list-style-type: none"> <li>1. Damaged teeth</li> <li>2. Feed speed is too slow</li> <li>3. Blunt teeth</li> </ol>	<ol style="list-style-type: none"> <li>1. Replace blades</li> <li>2. Increase feed speed</li> <li>3. Replace blades</li> </ol>
A lot of wear in sections	<ol style="list-style-type: none"> <li>1. Feed speed is too fast</li> <li>2. Damaged teeth</li> <li>3. Blunt teeth</li> <li>4. Not cutting perpendicular to work surface</li> </ol>	<ol style="list-style-type: none"> <li>1. Reduce feed speed</li> <li>2. Replace blades</li> <li>3. Replace blades</li> <li>4. Hold saw perpendicular to work surface</li> </ol>
Blades are breaking	<ol style="list-style-type: none"> <li>1. Damaged teeth</li> <li>2. Feed speed is too fast</li> <li>3. Blunt teeth</li> <li>4. Blades have buckled</li> <li>5. Blades have burned out</li> </ol>	<ol style="list-style-type: none"> <li>1. Replace blades</li> <li>2. Reduce feed speed</li> <li>3. Replace blades</li> <li>4. Replace blades</li> <li>5. Replace blades</li> </ol>
Possible causes of broken teeth	<ol style="list-style-type: none"> <li>1. Feed speed is too fast</li> <li>2. The surface being cut is too hard</li> <li>3. The teeth have been damaged by impact</li> <li>4. Blades were not installed properly</li> <li>5. Blades are burned out</li> <li>6. Not cutting perpendicular to work surface</li> </ol>	<ol style="list-style-type: none"> <li>1. Reduce feed speed</li> <li>2. Replace blades</li> <li>3. Replace blades</li> <li>4. Replace blades and follow the proper blade installation instructions</li> <li>5. Replace blades</li> <li>6. Replace blades and always hold saw perpendicular to work surface when cutting</li> </ol>

## ACCESSORIES

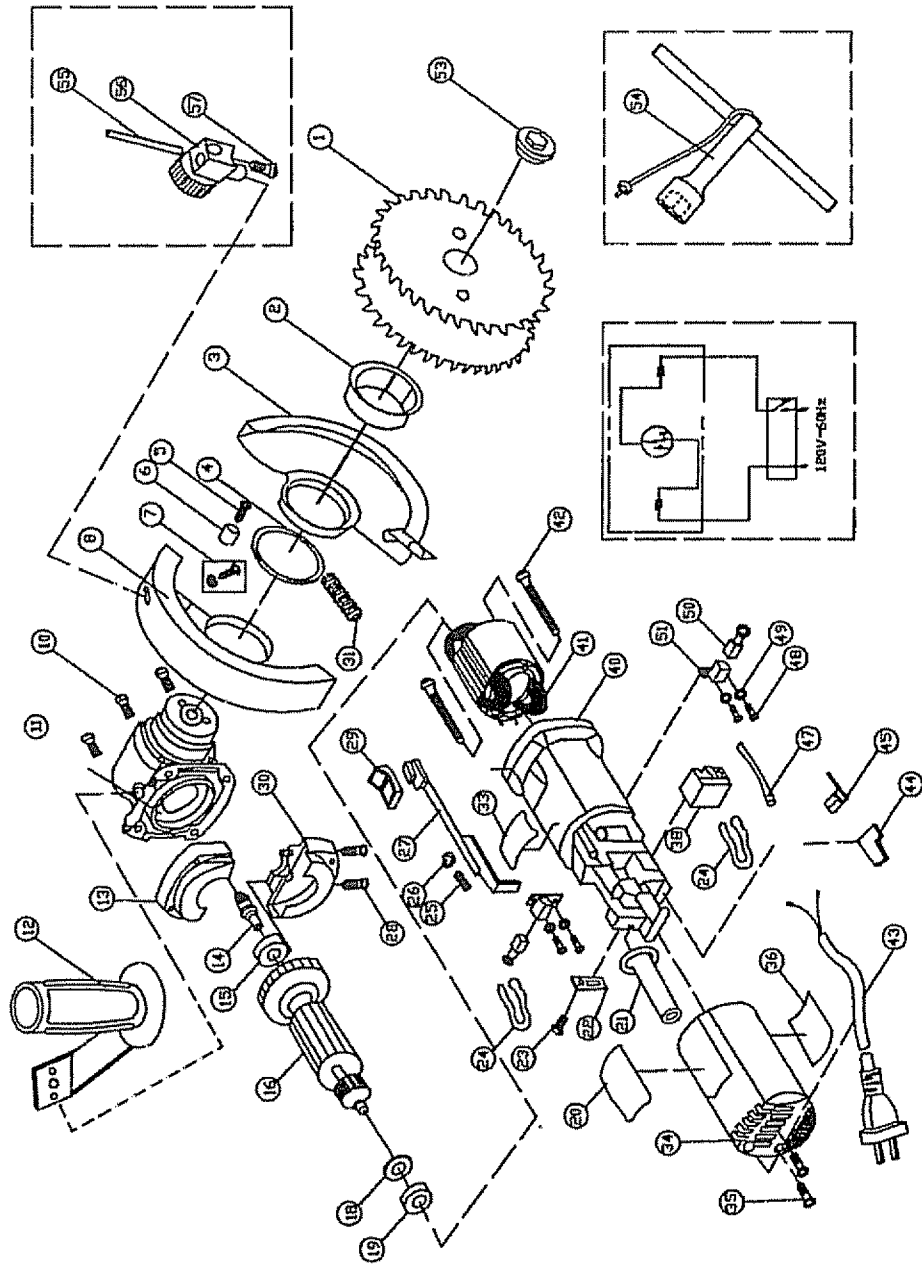
**⚠ WARNING:** This Twin Cutter saw uses specially designed 6 1/8-in. blades and no other types of blades should ever be used. Other blades will not operate safely in this saw and could result in serious personal injury.

The following accessories for your Twin Cutter saw are available at your local Sears store.

**9-61131 — A packaged set of 2 Universal Twin Cutter Saw Blades**

**9 26678 — 6 Packaged Wax Lubricating Sticks**

**⚠ WARNING:** The use of attachments or accessories that are not recommended might be dangerous.



## TWIN-CUTTER SAW – MODEL NUMBER 286.25574

The Model Number will be found on the Nameplate. Always mention the Model Number in all correspondence regarding your tool.

Item No.	Parts No.	Part Description	Qty.
1	PW001 -N	Blade	1 Set
2	PW002	Blade Guard	1
3	PW003 -N	Retractable Guard	1
4	PW004	Guard Washer	1
5	PW005	Screw M4 x 14	1
6	PW006	Rubber Pin	1
7	PW007 -N	Screw SA M4 x 12	1
8	PW008	Guard	1
10	PW010	Tapping Screw ST 4.2 x 35	4
11	PW011 -N	Gear Box SA	1
12	PW012 -N	Side Handle	1
13	PW013 -N	Cover	1
14	PW014 -N	Pinion	1
15	PW015	Bearing 6000	1
16	PW016	Armature	1
18	PW018	Rubber Ring	1
19	PW019	Bearing 607	1
20	PW020 -N	Lable	1
21	PW021	Card Armor	1
22	PW022 -N	Card Platen	1
23	PW023	Tapping Screw ST 4.2 x 12	1
24	PW024	Lable IV	2
25	PW025	Spring	1
26	PW026	Spring Washer	1
27	PW027 -N	Switch lever	1

Item No.	Parts No.	Part Description	Qty.
28	PW028	Tapping Screw ST 4.2 x 20	2
29	PW029 -N	Switch Button	1
30	PW030 -N	Cover	1
31	PW031	Spring	1
33	PW033 -N	Small Lable	1
34	PW034 -N	Back Cover	1
35	PW035	Tapping Screw ST 4.2 x 16	2
36	PW036 -N	Name Plate	1
38	PW038	Switch	1
40	PW040 -N	Housing	1
41	PW041	Stator	1
42	PW042	Tapping Screw ST 4.2 x 65	2
43	PW043 -N	Cord and Plug	1
44	PW044	Protector Washer	1
45	PW045	Lead I	1
47	PW047	Lead VII	1
48	PW048	Tapping Screw ST 2.2 x 8.5	4
49	PW049	Washer	4
50	PW050	Brush	2
51	PW051	Brush Holder	2
53	PW053 -N	Blade Lock Nut	1
54	PW054 -N	Wrench	1
55	PW055	Wax Tube	1
56	PW056	Lubrication Unit	1
57	PW057	Tapping Screw ST 4.8 x 10	1

SEE BACK PAGE FOR PARTS ORDERING INSTRUCTIONS



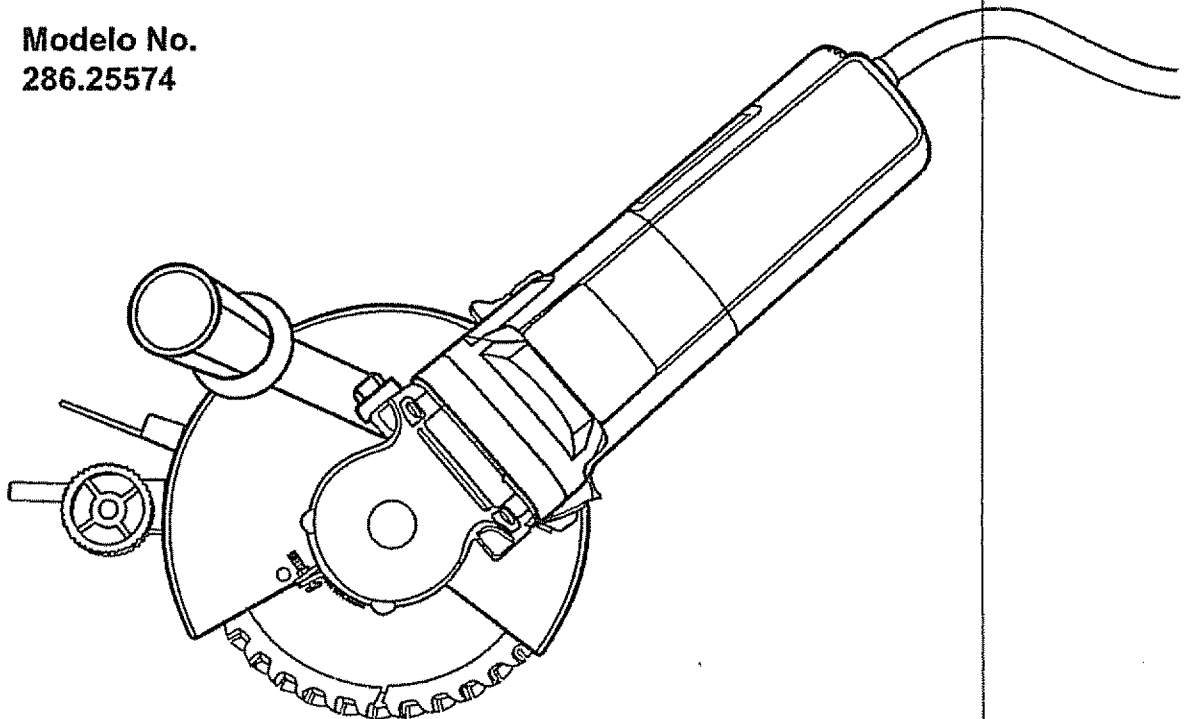


Manual del Usuario



## SIERRA TWIN CUTTER de 6<sup>1</sup>/<sub>8</sub> pulg.

Modelo No.  
286.25574



**⚠ ATENCION:** Lea, comprenda y siga todas las Reglas de Seguridad y las Instrucciones de Funcionamiento incluidas en este manual antes de usar esta herramienta.

- SEGURIDAD
- FUNCIONAMIENTO
- MANTENIMIENTO

Sears, Roebuck and Co., Hoffman Estates, IL 60179 U.S.A.  
Visite nuestro sitio Web de Craftsman: [www.sears.com/craftsman](http://www.sears.com/craftsman)

OM-25574

5-25-06

## TABLA DE MATERIAS

Garantía.....	Página 26
Instrucciones de Seguridad.....	Páginas 27-32
Símbolos de Seguridad.....	Página 32
Descripción.....	Página 33
Funcionamiento .....	Páginas 34-43
Desmontaje e Instalación de las Hojas.....	Páginas 41-43
Mantenimiento.....	Páginas 43-44
Localización y Solución de Averías.....	Página 45
Accesorios.....	Página 45
Repuestos.....	Páginas 46-47
Números de Servicio.....	Contraportada

### UN AÑO DE GARANTÍA COMPLETA DE ESTA HERRAMIENTA PROFESIONAL CRAFTSMAN®

Si esta herramienta Profesional Craftsman falla dé la satisfacción completa en el plazo de 90 días a partir de la fecha de la compra, vuélvala a cualesquiera chamusca el almacén o el otro enchufe del artesano en los Estados Unidos para el reemplazo libre.


Después de 90 días y con un año a partir de la fecha de la compra, si esta herramienta Profesional Craftsman falla dé la satisfacción completa, vuélvala a cualquier tienda de Sears o Centro de Repuestos y Reparación o cualquier otro punto de venta de Craftsman en los Estados Unidos para su reparación sin costo (o el reemplazo si la reparación prueba imposible.)

Esta garantía le otorga derechos legales específicos y además podrá tener otros derechos, los cuales varían de un estado al otro.

Sears, Roebuck and Co., Hoffman Estates, IL 60179

**¡GUARDE ESTAS INSTRUCCIONES!**  
**¡LEA TODAS LAS INSTRUCCIONES!**

## INSTRUCCIONES DE SEGURIDAD

 **ADVERTENCIA:** ASEGURESE de leer y comprender todas las instrucciones. El incumplimiento de todas las instrucciones indicadas a continuación puede ocasionar un choque eléctrico, incendio y/o lesión personal grave.

### SEGURIDAD EN EL LUGAR DE TRABAJO

1. **SIEMPRE** mantenga el lugar de trabajo limpio y bien iluminado. Los bancos de trabajo desordenados y mal iluminados favorecen los accidentes.
2. **NO** utilice las herramientas eléctricas en una atmósfera explosiva, tal como en presencia de líquidos inflamables, gases o polvo. Las herramientas eléctricas crean chispas que pueden inflamar el polvo o los vapores.
3. **SIEMPRE** mantenga a los espectadores, niños y visitantes a una distancia prudente cuando esté utilizando una herramienta eléctrica. Las distracciones pueden hacerle perder el control.

### SEGURIDAD ELECTRICA

1. Las herramientas con aislamiento doble están equipadas con un enchufe polarizado (una hoja de contacto es más ancha que la otra.) Este enchufe puede colocarse en un tomacorriente polarizado en una sola dirección. Si el enchufe no calza bien en el tomacorriente, invierta el enchufe. Si todavía no calza, póngase en contacto con un electricista calificado para que instale un tomacorriente polarizado. **NO** modifique el enchufe de ninguna manera.
2. El aislamiento doble elimina la necesidad del cordón eléctrico trifilar puesto a tierra y del sistema de alimentación de energía puesto a tierra. Aplicable solamente a las herramientas de la Clase II (con aislamiento doble).
3. Antes de enchufar la herramienta, **ASEGURESE** de que el voltaje del tomacorriente esté dentro del voltaje marcado en la placa de datos de la herramienta. **NO** use herramientas clasificadas "CA solamente" con una fuente de energía CC.
4. **SIEMPRE** evite contacto del cuerpo con las superficies puestas a tierra tales como tuberías, radiadores, estufas y refrigeradores. Existe mayor riesgo de sufrir choque eléctrico si su cuerpo está a tierra.
5. Si es inevitable el uso de la herramienta en lugares húmedos, **SIEMPRE** use un interruptor de pérdida a tierra que le suministre energía a su herramienta. **SIEMPRE** use guantes y calzado de goma de electricista cuando trabaje en ambientes húmedos.
6. **No** exponga las herramientas eléctricas a la lluvia ni a ambientes húmedos. Cuando entra agua a una herramienta eléctrica, se aumenta el riesgo de sufrir un choque eléctrico.
7. **NO** abuse del cordón eléctrico. **NUNCA** use el cordón para transportar las herramientas ni tire del cordón para desenchufarlas. Mantenga el cordón alejado del calor, del aceite, bordes afilados o piezas móviles. Reemplace inmediatamente los cordones que estén dañados. Los cordones dañados aumentan el riesgo de sufrir un choque eléctrico.
8. Cuando utilice una herramienta eléctrica al aire libre, **SIEMPRE** use un cordón de extensión marcado "W-A" o "W". Estos cordones están aprobados para uso al aire libre y reducen el riesgo de choque eléctrico.

**NOTA:** El cordón de extensión debe ser de calibre adecuado (AWG -American Wire Gauge) para uso eficiente y seguro. Los alambres de calibre más pequeño tienen mayor capacidad (alambre de calibre 16 tiene más capacidad que el alambre de 18).

## **INSTRUCCIONES DE SEGURIDAD cont.**

### **SEGURIDAD PERSONAL**

- 1. SIEMPRE** manténgase alerta, observe lo que está haciendo y use sentido común cuando esté usando una herramienta. **NO** use la herramienta cuando esté cansado o bajo la influencia de drogas, alcohol o medicamentos. Un momento de distracción cuando está trabajando con las herramientas eléctricas, puede ocasionar una lesión personal grave.
- 2. SIEMPRE** vístase adecuadamente. **NO** use ropas sueltas o joyas. **Atese el cabello largo.** Mantenga su cabello, ropas y guantes alejados de las piezas móviles. Las ropas sueltas, las joyas o el cabello largo pueden quedar atrapados en las piezas móviles.
- 3. SIEMPRE** evite la puesta en marcha accidental. **ASEGÚRESE** de que el interruptor esté en la posición "Off" (apagado) antes de enchufar la herramienta. **NO** transporte las herramientas con su dedo en el interruptor. Se puede producir un accidente si transporta la herramienta con su dedo en el interruptor o si enchufa la herramienta cuando el interruptor está en la posición "On" (encendido).
- 4. SIEMPRE** saque las llaves de ajuste o llaves inglesas antes de poner en marcha la herramienta. Si se deja una llave inglesa o una llave de ajuste en una pieza móvil de la herramienta, se puede producir una lesión personal.
- 5. NO** use la herramienta a una distancia demasiado alejada. Mantenga **SIEMPRE** un buen equilibrio y una posición firme. El buen equilibrio y la posición firme permiten un mejor control de la herramienta en situaciones imprevistas.
- 6. SIEMPRE** use equipo de seguridad. Use siempre lentes protectores. Se debe usar máscaras contra el polvo, zapatos de seguridad antirresbaladizos, casco de seguridad o protección auditiva de acuerdo con las circunstancias.

### **USO Y CUIDADO DE LAS HERRAMIENTAS DE SEGURIDAD**

- 1. SIEMPRE** use mordazas u otro método práctico para asegurar y apoyar la pieza de trabajo en una plataforma estable. Si sujeta el trabajo con la mano o contra su cuerpo queda inestable y puede conducir a la pérdida de control.
- 2. NO** fuerce la herramienta. Use la herramienta apropiada para el trabajo. La herramienta correcta hará el trabajo mejor y de manera más segura, a la velocidad para la cual fue diseñada.
- 3. NO** use la herramienta si el interruptor no funciona debidamente. Es peligroso si la herramienta no puede ser controlada con el interruptor y por lo tanto debe ser reparada.
- 4. SIEMPRE** desenchufe la herramienta antes de hacer algún ajuste, cambiar accesorios o guardarla. Estas medidas preventivas de seguridad reducen el riesgo de que la herramienta se ponga en marcha accidentalmente.
- 5. SIEMPRE** guarde las herramientas lejos del alcance de los niños y de otras personas inexpertas. Las herramientas son peligrosas en manos de personas inexpertas.
- 6. SIEMPRE** mantenga bien cuidadas las herramientas. Las herramientas cortantes deben mantenerse afiladas y limpias. Las herramientas que se mantienen bien cuidadas y bien afiladas tienen menos probabilidad de atascarse y se pueden controlar más fácilmente.
- 7. SIEMPRE** verifique si hay piezas desalineadas o atascadas, si hay piezas quebradas o si existe cualquier otra situación que pueda afectar el funcionamiento de la herramienta. Si la herramienta está dañada, debe repararse antes de usarla. Muchos accidentes son causados debido al mal estado de las herramientas.

**⚠ ADVERTENCIA:** EL USO DE ACCESORIOS NO RECOMENDADOS PARA SER USADOS CON ESTA HERRAMIENTA PUEDEN CREAR UNA SITUACION PELIGROSA

- 8. SIEMPRE** use solamente los accesorios recomendados por el fabricante para esta herramienta. Los accesorios adecuados para una herramienta, pueden ser peligrosos si se utilizan en otra herramienta

## **INSTRUCCIONES DE SEGURIDAD cont.**

### **SEGURIDAD SOBRE LAS REPARACIONES**

1. Si falta cualquier pieza de esta sierra o se rompe, dobla o falla de cualquier manera; o si alguno de los componentes eléctricos no funciona en forma debida, SIEMPRE apague el interruptor de puesta en marcha, desenchufe la sierra y reemplace las piezas dañadas, faltantes o falladas ANTES de volver a ponerla en funcionamiento.
2. La reparación de las herramientas debe ser efectuada solamente en un Centro de Repuestos y Reparación Sears. La reparación o mantenimiento efectuado por personal no especializado puede causar una lesión.

### **REGLAS DE SEGURIDAD PARA LAS SIERRAS**

**⚠ PELIGRO!** Mantenga las manos alejadas del área de corte y de las hojas. Mantenga la otra mano en la manija auxiliar o en la caja del motor. Si sujeta la sierra con ambas manos, evitará el peligro de que la sierra se las lesione.

1. SIEMPRE mantenga su cuerpo colocado a cualquier lado de las hojas de la sierra, pero no en línea con las hojas de la sierra.
2. NO trate de alcanzar nada por debajo del trabajo. El protector no puede protegerlo contra contacto con las hojas por el lado inferior del trabajo.
3. SIEMPRE verifique si el protector está bien cerrado ANTES de cada uso. NO use la sierra si el protector no se mueve libremente y se cierra instantáneamente. Nunca sujete con mordazas ni ate el protector de la hoja en posición abierta. Si la sierra se deja caer accidentalmente, el protector puede doblarse. Levante el protector y asegúrese de que se mueve libremente y que no toca las hojas ni ninguna otra pieza.
4. SIEMPRE verifique el funcionamiento y el estado del resorte del protector. Si el protector y el resorte no están funcionando de manera apropiada, DEBE hacerlos reparar antes del uso. El protector de la hoja puede funcionar en forma lenta debido a piezas dañadas, depósitos gomosos o acumulación de suciedad.
5. El protector de la hoja debe manipularse manualmente SOLAMENTE cuando se hacen cortes especiales, tal como cortes de cavidades o cortes compuestos. SIEMPRE levante el protector mediante la manija. Tan pronto como la hoja penetra el material, se DEBE soltar el protector. Para todos los otros cortes, el protector funcionará automáticamente.
6. SIEMPRE asegúrese de que el protector esté cubriendo las hojas ANTES de depositar la sierra en un banco de trabajo o en el piso. Si las hojas en movimiento no están protegidas la sierra se moverá hacia atrás, cortando lo que encuentre a su paso. Observe cuanto demoran las hojas en dejar de girar después de que se suelta el interruptor.
7. NUNCA sujete la pieza que está siendo cortada en sus manos o a través de sus piernas. Es importante apoyar la pieza de trabajo en forma debida para reducir a un mínimo la exposición del cuerpo, atascamiento de las hojas o la pérdida de control.
8. SIEMPRE sostenga la herramienta por las superficies de sujeción aisladas cuando realice operaciones en que la sierra puede tocar alambrado oculto o su propio cordón eléctrico. Si se produce contacto con un alambre "bajo tensión" las piezas de metal expuestas de la herramienta quedarán bajo tensión y el operador puede recibir un choque eléctrico.
9. NO deje la sierra funcionando cuando la transporte en la mano. El protector de la hoja inferior puede abrirse al tocar su ropa. El contacto accidental con las hojas rotatorias de la sierra puede causar una lesión personal grave.
10. NO use la herramienta si el interruptor no funciona debidamente. Cualquier herramienta que no puede ser controlada con el interruptor es peligrosa y debe ser reparada.

## **INSTRUCCIONES DE SEGURIDAD cont.**

### **REGLAS DE SEGURIDAD PARA LAS SIERRAS cont.**

11. Cuando retire las hojas de la herramienta, **SIEMPRE** use guantes protectores para sujetar las hojas o accesorios. Los accesorios pueden estar calientes después de uso prolongado.

### **RETROCESO...SUS CAUSAS Y COMO SE PUEDE EVITAR**

#### **Causas del Retroceso**

1. El retroceso es una reacción repentina que se produce cuando las hojas de las sierras se aprietan, atascan o desalinean, causando que la sierra sin control se levante y se salga de la pieza de trabajo retrocediendo hacia el operador.
2. Cuando la entalla aprieta o atasca firmemente las hojas, éstas se detienen y el motor reacciona impulsando rápidamente la sierra hacia atrás, hacia el operador.
3. Si las hojas se tuercen o desalinean en el corte, los dientes en los bordes traseros de las hojas pueden enterrarse en la superficie superior de la madera. Esto causa que las hojas se salgan de la entalla y salten hacia atrás, hacia el operador.
4. El retroceso se produce a causa del mal uso y/o procedimientos o condiciones de operación incorrectas. Puede evitarse tomando las precauciones apropiadas, como se indica a continuación.

#### **Como Evitar el Retroceso**

1. **SIEMPRE** sujete la sierra firmemente con ambas manos y coloque su cuerpo y brazos de manera que puedan resistir las fuerzas del retroceso. El operador puede controlar las fuerzas del retroceso si se toman las precauciones apropiadas.
2. Si las hojas se están atascando o si por cualquier razón usted interrumpe un corte, **SIEMPRE** apague la sierra y manténgala inmóvil en el material hasta que las hojas se detengan completamente. **NUNCA** intente sacar la sierra del trabajo o tirar de la sierra hacia atrás cuando las hojas estén en movimiento pues puede ocurrir **RETROCESO**. **SIEMPRE** verifique y esté preparado para tomar medidas correctivas que eliminen la causa del atascamiento de las hojas.
3. Cuando ponga en marcha nuevamente la sierra en la pieza de trabajo, **SIEMPRE** centre las hojas en la entalla y compruebe que los dientes de la sierra no estén enganchados en el material. Si las hojas de la sierra se atascan, pueden salirse hacia arriba o **RETROCEDER** de la pieza de trabajo cuando la sierra es puesta en marcha nuevamente.
4. **SIEMPRE** apoye los paneles grandes a fin de reducir el riesgo de que las hojas se aprieten y retrocedan. Los paneles grandes tienden a combarse bajo su propio peso. Los apoyos **DEBEN** colocarse en ambos lados, cerca de la línea de corte y cerca del borde del panel.
5. **NO** use hojas desafiladas o dañadas. Las hojas desafiladas o incorrectamente triscadas producen una entalla angosta que causa demasiada fricción, atascamiento de la hoja y **RETROCESO**.
6. **SIEMPRE** tenga sumo cuidado cuando haga "Cortes de Cavidades" en paredes existentes u otras áreas ciegas. Las hojas salientes pueden cortar objetos que causen **RETROCESO**.
7. **SIEMPRE** espere hasta que las hojas hayan alcanzado la velocidad plena antes de que toquen la pieza de trabajo.
8. **SIEMPRE** mantenga su cuerpo en cualquier lado de las hojas de la sierra, pero no en línea con las hojas. El **RETROCESO** puede lanzar la sierra hacia atrás hacia el operador. Las fuerzas del **RETROCESO** pueden ser controladas por el operador, si se toman las debidas precauciones.

**SIEMPRE** sostenga la herramienta por las superficies de sujeción aisladas cuando realice operaciones en que la sierra puede tocar alambrado oculto o su propio cordón eléctrico. Si se produce contacto con un alambre "bajo tensión" las piezas de metal expuestas de la herramienta quedarán bajo tensión y el operador puede recibir un choque eléctrico.

## **INSTRUCCIONES DE SEGURIDAD cont.**

### **REGLAS ADICIONALES PARA FUNCIONAMIENTO SEGURO**

**⚠ ADVERTENCIA:** ASEGURESE de leer y comprender todas las instrucciones. El incumplimiento de todas las instrucciones indicadas a continuación puede resultar en un choque eléctrico, incendio y/o lesión personal grave.

- 1. Conozca su herramienta eléctrica. Lea cuidadosamente el manual del usuario. Aprenda sus aplicaciones y limitaciones así como también los riesgos potenciales específicos relacionados con esta herramienta. Si se cumple esta regla se reducirá el riesgo de un choque eléctrico, incendio o lesión grave.**
- 2. Cuando use esta sierra SIEMPRE use lentes protectores o gafas de seguridad. Los anteojos regulares tienen solamente lentes resistentes al impacto; ellos NO son lentes protectores. Si se cumple esta regla se reducirá el riesgo de sufrir una lesión personal grave.**
- 3. SIEMPRE proteja sus pulmones. Use una máscara contra el polvo si la operación va a despedir mucho polvo. Si se cumple esta regla se reducirá el riesgo de sufrir una lesión personal grave.**
- 4. SIEMPRE proteja su audición. Use protección para los oídos durante períodos prolongados de funcionamiento. Si se cumple esta regla se reducirá el riesgo de sufrir una lesión personal grave.**
- 5. SIEMPRE inspeccione periódicamente los cordones eléctricos de la herramienta y si están dañados hágalos reparar en su Centro de Servicio Sears más cercano o en otro Centro de Servicio Autorizado. SIEMPRE esté atento de la ubicación del cordón. Si se cumple esta regla se reducirá el riesgo de un choque eléctrico o incendio.**
- 6. SIEMPRE verifique si hay piezas dañadas. Antes de seguir utilizando la herramienta, inspeccione para determinar si algún protector o cualquier pieza que esté dañada funcionará debidamente. Verifique el alineamiento de las piezas móviles, si están atascadas o si hay piezas rotas y cualquier otro estado que pueda afectar el funcionamiento de la herramienta. Si se daña un protector o cualquier otra pieza debe ser reparada o reemplazada por un Centro de Servicio Autorizado. Si se cumple esta regla se reducirá el riesgo de un choque eléctrico, incendio o lesión grave.**
- 7. NO abuse del cordón eléctrico. NUNCA transporte la herramienta por el cordón ni tire del cordón para desenchufarla. Mantenga el cordón alejado del calor, del aceite, bordes afilados o piezas móviles. Reemplace inmediatamente los cordones eléctricos que estén dañados. Los cordones dañados aumentan el riesgo de sufrir un choque eléctrico. Si se cumple esta regla se reducirá el riesgo de un choque eléctrico o incendio.**
- 8. SIEMPRE asegúrese de que su cordón de extensión esté en buen estado. Cuando use un cordón de extensión, asegúrese de que sea de calibre suficiente para portar la corriente que necesita su herramienta. Se recomienda un cordón de por lo menos calibre 16 (A.W.G.) para un cordón de extensión de 100 pies o menos de largo. No se recomienda el uso de un cordón de extensión de más de 100 pies de largo. Si tiene duda, use el calibre siguiente de mayor capacidad. Los alambres de calibre más pequeño tienen mayor capacidad (el alambre de calibre 16 tiene más capacidad que el alambre de calibre 18). Un cordón de calibre inferior causará una pérdida en el voltaje de línea resultando en pérdida de potencia y sobrecalentamiento.**
- 9. SIEMPRE inspeccione y saque todos los clavos de la madera antes de cortarla. Si se cumple esta regla se reducirá el riesgo de sufrir una lesión personal grave.**
- 10. NO haga funcionar esta herramienta cuando esté cansado o bajo la influencia de drogas, alcohol o haya tomado alguna medicina. Si se cumple esta regla se reducirá el riesgo de un choque eléctrico, incendio o lesión grave.**

## INSTRUCCIONES DE SEGURIDAD cont.

### REGLAS ADICIONALES PARA FUNCIONAMIENTO SEGURO cont.

**⚠ ADVERTENCIA:** Algunas partículas de polvo creadas por el fijado mecánico, aserrado, rectificado, taladrado y otros trabajos de construcción contienen productos químicos que se sabe causan cáncer, defectos congénitos u otros daños al sistema reproductor. Algunos de estos productos químicos son:

- Plomo proveniente de pinturas a base de plomo
- Sílice cristalizada de ladrillos y cemento y otros productos de albañilería.
- Arsénico y cromo de madera tratada químicamente.

Su riesgo de exposición a estos productos varía dependiendo de cuan a menudo usted hace este tipo de trabajo. Para reducir su exposición a estos productos químicos:

- Trabaje en lugares bien ventilados
- Utilice equipo de seguridad aprobado, tal como máscaras contra el polvo especialmente diseñadas para filtrar partículas microscópicas.



**⚠ ADVERTENCIA:** La utilización de cualquier cepilladora puede causar la proyección de objetos extraños a sus ojos, lo cual puede ocasionar daños oculares severos. Antes de comenzar a usar la herramienta mecánica, **SIEMPRE** use sus lentes protectores o gafas de seguridad con protección lateral y una máscara completa cuando sea necesario. Recomendamos una Máscara de Visión Amplia para usar sobre sus lentes protectores o sus lentes de seguridad estándar, con protección lateral, disponible en los Almacenes Sears.

## SIMBOLOS DE SEGURIDAD

### REGLAS ADICIONALES PARA FUNCIONAMIENTO SEGURO cont.

La etiqueta de su herramienta puede incluir los siguientes símbolos.

V	Voltios
A	Amperios
Hz	Hertz
W	Watts
min	Minutos
~	Corriente Alterna
—	Corriente Continua
no	Velocidad sin Carga
□	Construcción Clase II
/min	Revoluciones o Carreras por minuto
⚠	Indica peligro, advertencia o atención. ¡Significa atención! Existe riesgo para su seguridad

**¡IMPORTANTE! LEA TODAS LAS INSTRUCCIONES**



## DESCRIPCION

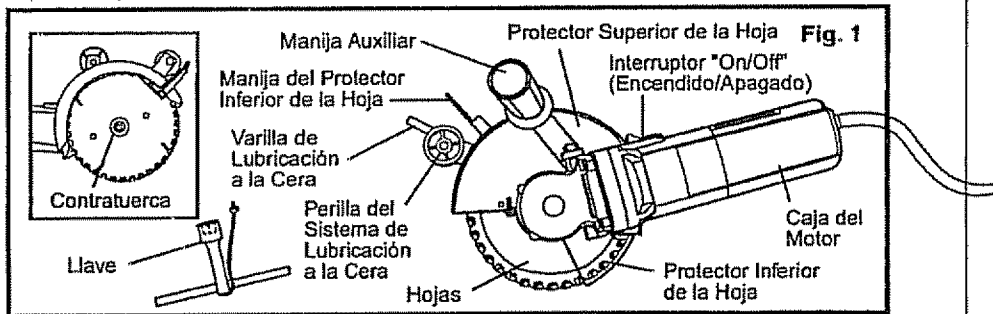
Antes de intentar usar cualquier herramienta, es necesario familiarizarse con todas las características de funcionamiento y las instrucciones de seguridad.

**⚠ ADVERTENCIA!** NO permita que su familiaridad con la sierra lo haga descuidado. Recuerde que un descuido de una fracción de segundo es suficiente para ocasionar una lesión grave.

### CONOZCA SU SIERRA (ver Fig. 1)

La sierra Twin Cutter tiene incorporadas muchas características prácticas para cortes eficientes y rápidos. Entre ellas cabe mencionar un sistema innovador de 2 hojas especiales que giran en dirección opuesta para lograr cortes suaves y exactos con menos vibración y retroceso. También está equipada con un sistema de lubricación de la hoja preinstalado para usar cuando corte aluminio, cobre, acero inoxidable y hierro forjado. La manija auxiliar se instala en la parte superior de la sierra ofreciendo apoyo adicional y facilidad de manipulación.

Para mayor conveniencia, la sierra Twin Cutter no necesita ser armada. Las hojas especiales y el sistema de lubricación ya está instalado.



### ESPECIFICACIONES DEL PRODUCTO

Alimentación	7,8 Amps.
Potencia Máxima	1,25 HP
Diámetro de la Hoja	6 1/8 pulg. (155mm)
Corriente Nominal	120 voltios, 60 Hz CA
Velocidad sin Carga	4600 RPM
Profundidad máxima de corte	madera (1 1/2") metal (con un grosor de pared o lámina de 1/8")
Ciclo de Deber	30 minutos en 10 minutos apagado (ver página 12)

## MONTAJE

### DESEMPAQUE

Su sierra Twin Cutter fue embarcada completamente armada. Inspeccione atentamente la sierra para asegurarse de que no ocurrió daño ni quebradura durante el embarque. Si alguna pieza está dañada o falta, devuelva la sierra a su Almacén Sears más cercano para que se la cambien.

**⚠ ADVERTENCIA:** Si hay piezas faltantes, NO haga funcionar esta sierra hasta que se reemplacen las piezas faltantes. El incumplimiento de esta advertencia puede ocasionar una lesión personal grave.

## FUNCIONAMIENTO

### HOJAS DE LA SIERRA

Aún las mejores hojas de sierras no cortarán de manera eficiente si no se mantienen limpias, afiladas y debidamente colocadas. Las hojas desafiladas ejercen mayor esfuerzo en la sierras y aumentan el peligro de retroceso. Mantenga hojas adicionales de modo que siempre tenga hojas afiladas disponibles.

La goma y resina de la madera que se endurece en las hojas reducirán la velocidad de la sierra. Use un disolvente de goma y resina, agua caliente o kerosén para quitar estas acumulaciones. NO use gasolina.

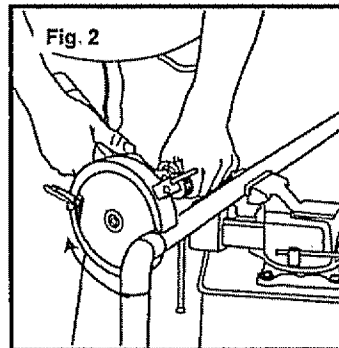
**⚠ ADVERTENCIA:** Esta sierra Twin Cutter usa hojas especialmente diseñadas de 6 1/8 pulg. y nunca se debe usar ningún otro tipo ni tamaño de hojas. Las hojas de otro tipo y tamaño no funcionarán en forma segura en esta sierra y pueden provocar una lesión personal grave.

Para hacer pedidos de hojas adicionales o para reemplazar las hojas que venían con la sierra, vea en la página 45 de este manual las instrucciones para hacer pedidos. Para instalar las hojas nuevas en la sierra, vea las instrucciones especiales en las páginas 41 a 43 de este manual para el desmontaje e instalación apropiada de las hojas.

### SISTEMA DE PROTECCION DE LAS HOJAS

El protector inferior de la hoja, instalado en su sierra, tiene por objeto velar por su protección y seguridad. **NUNCA** debe ser modificado, por ningún motivo. Si se daña o comienza a funcionar más lentamente, **NO** haga funcionar su sierra hasta que el problema no haya sido corregido o se haya reemplazado la pieza dañada. **SIEMPRE** mantenga el protector en su posición correcta de funcionamiento cuando use la sierra.

**⚠ PELIGRO:** Cuando corta a través de una pieza de trabajo, el protector inferior de la hoja no cubre la hoja por el lado inferior de la pieza de trabajo. Debido a que la hoja está expuesta por el lado inferior del trabajo, **SIEMPRE** mantenga las manos y los dedos alejados del área de corte (ver Fig. 2). Cualquier parte de su cuerpo que toque la hoja en movimiento puede sufrir una lesión personal grave.



El protector inferior de la hoja está en posición HACIA ARRIBA cuando se hace un corte.

Las hojas están expuestas por el lado inferior de la pieza de trabajo

**⚠ ADVERTENCIA:** **NUNCA** use la sierra si el protector no está funcionando en forma debida. Se debe verificar el funcionamiento correcto del protector antes de cada uso. Si la sierra se deja caer, antes de usarla verifique si se ha dañado el protector inferior de la hoja. **NOTA:** El protector está funcionando en forma debida cuando se mueve libremente y retorna oportunamente a la posición cerrada. Si por cualquier motivo el protector inferior de la hoja no se cierra libremente, antes de usar la sierra llévela a su Centro de Reparación Sears más cercano para su reparación.

## FUNCIONAMIENTO cont.

### RETROCESO

El retroceso ocurre cuando las hojas se detienen rápidamente y la sierra es lanzada hacia atrás, hacia usted. Las hojas pueden detenerse si la hoja queda apretada en el material que está siendo cortado.

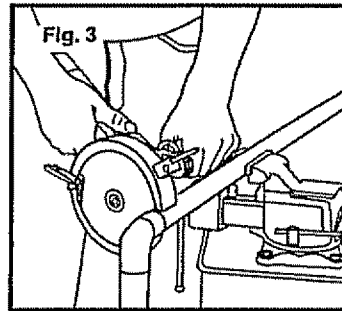
**IMPORTANTE:** La mejor protección contra el retroceso es evitar las prácticas peligrosas.

**⚠ PELIGRO:** SIEMPRE apague inmediatamente la sierra si las hojas se atascan o la sierra se detiene. El retroceso le puede hacer perder el control de la sierra. La pérdida de control puede ocasionar una lesión grave.

**SIEMPRE** apoye en forma apropiada la pieza de trabajo y sujete la sierra con ambas manos

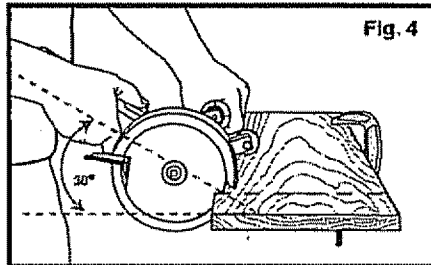
**Causas que provocan el retroceso:**

1. Torcedura de las hojas cuando está haciendo un corte.
2. Hacer un corte con hojas desafiladas, engomadas o incorrectamente triscadas.
3. Sin apoyo apropiado para la pieza de trabajo. **SIEMPRE** proporcione apoyo apropiado como se muestra en la Fig. 3.
4. Forzar un corte.
5. Cortar madera combada o húmeda.
6. Mal uso de la herramienta o procedimientos de funcionamiento incorrectos.
7. Colocar las hojas en la pieza de trabajo antes de que alcancen la velocidad plena.



**Para reducir la posibilidad de retroceso**

1. **SIEMPRE** dirjase hacia la pieza de trabajo con la sierra en un ángulo de aproximadamente 30° en relación con la pieza de trabajo. (ver Fig. 4).
2. **SIEMPRE** haga cortes derechos. Así evitará que la hoja se tuerza en el corte.
3. **SIEMPRE** use hojas limpias, afiladas y debidamente triscadas. **NUNCA** haga cortes con hojas desafiladas.
4. **SIEMPRE** apoye en forma apropiada la pieza de trabajo antes de comenzar un corte. Esto le ayudará a evitar que las hojas queden apretadas en el corte (ver Fig 3).
5. **SIEMPRE** use una presión uniforme y constante cuando haga un corte. **NUNCA** fuerce el corte.
6. **NO** corte madera combada o húmeda.
7. **SIEMPRE** sostenga la sierra firmemente con ambas manos y mantenga su cuerpo en equilibrio. **SIEMPRE** colóquese en cualquier lado de las hojas de la sierra, pero no en línea con las hojas. Esto le ayudará a resistir las fuerzas del retroceso, si es que se produjera.



**IMPORTANTE:** Cuando use su sierra, **SIEMPRE** manténgase alerta y en control. **NO** levante la sierra de la pieza de trabajo cuando las hojas estén en movimiento.

## FUNCIONAMIENTO cont.

### COMIENZO DE UN CORTE

#### IMPORTANTE:

**ANTES** de usar la sierra Twin Cutter por primera vez, **SIEMPRE** familiarícese con la sierra haciendo cortes de práctica en materiales sobrantes.

El peso de esta sierra ayuda a que los cortes sean más suaves. Aprenda a manipular y controlar en forma segura el peso de la sierra.

**SIEMPRE** asegúrese de colocar las hojas perpendiculares al plano de la pieza de trabajo. Haga el corte a un ángulo aproximado de 30° en relación con la superficie de la pieza de trabajo. (Ver Fig. 5).

Practique la velocidad de avance apropiada para el material que está siendo cortado. Las hojas giran a una velocidad constante de 4600 RPM (velocidad sin carga).

Oprima el interruptor 'on/off' para poner en marcha la sierra. **SIEMPRE** espere hasta que las hojas alcancen la velocidad plena antes de comenzar a cortar la pieza de trabajo.

**IMPORTANTE:** Cuando use la sierra, **SIEMPRE** manténgase alerta y en control. **NO** levante la sierra de la pieza de trabajo cuando las hojas estén en movimiento.

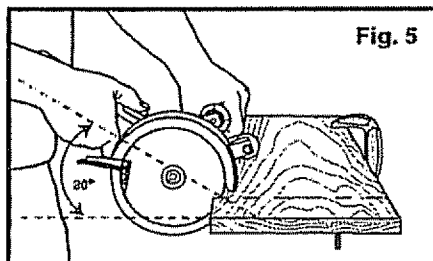


Fig. 5

Hojas perpendiculares a la pieza de trabajo Aproximadamente 30°

#### ⚠ ADVERTENCIA:

**SIEMPRE** mantenga buen control de la sierra para facilitar y hacer más seguro su uso. La pérdida de control puede causar un accidente que ocasione una posible lesión grave.

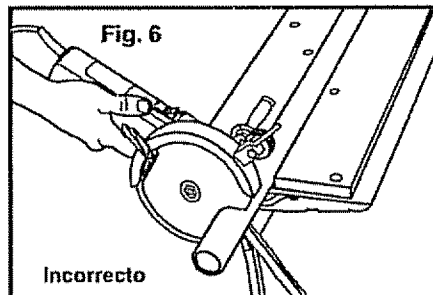


Fig. 6

Incorrecto

**NUNCA** sostenga la sierra con una mano solamente (ver Fig. 6).

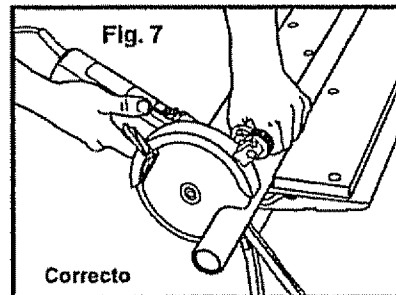


Fig. 7

Correcto

**SIEMPRE** sujete la sierra tomándola del cuerpo del motor y de la manija auxiliar (ver Fig. 7).

### CICLO DE DEBER

30 minutos en ciclo fuera de servicio de 10 minutos refieren a la operación a corto plazo. La operación corta del tiempo denota la operación bajo carga normal para un período y un material especificados, comenzando el frío, el intervalo entre cada período de la operación que es suficiente permitir que la herramienta se refresque abajo aproximadamente a la temperatura ambiente.

## **FUNCIONAMIENTO cont.**

### **PARA AYUDAR A MANTENER EL CONTROL**

1. **SIEMPRE** apoye la pieza de trabajo cerca del corte.
2. **SIEMPRE** apoye la pieza de trabajo de modo que el corte quede a su derecha.
3. **SIEMPRE** sujete la pieza de trabajo con mordazas a fin de que no se mueva durante el corte. Coloque la pieza de trabajo con el lado bueno hacia abajo.

Coloque la pieza de trabajo con el lado bueno hacia abajo. **NOTA:** El lado bueno es aquel cuya apariencia es importante.

Antes de comenzar un corte, trace una línea a lo largo de la línea de corte deseada. Luego coloque el borde delantero de las hojas de la sierra en esa parte de la pieza de trabajo que está firmemente apoyada.

4. **NUNCA** coloque la sierra en la parte de la pieza de trabajo que se desprenderá después de hecho el corte.
5. **SIEMPRE** mantenga el cordón eléctrico alejado del área de corte. **SIEMPRE** coloque el cordón de modo que no cuelgue de la pieza de trabajo cuando se hace el corte.

**⚠ PELIGRO:** Si el cordón cuelga de la pieza de trabajo durante un corte, suelte inmediatamente el interruptor 'on/off'. Desenchufe la sierra y mueva el cordón a fin de evitar que cuelgue del trabajo nuevamente

**⚠ PELIGRO:** Si se usa la sierra con un cordón eléctrico dañado se puede provocar una lesión grave o mortal. Si el cordón se ha dañado, hágalo reemplazar antes de usar la sierra nuevamente.

**⚠ ADVERTENCIA:** Si las hojas tocan la pieza de trabajo antes de alcanzar la velocidad plena, la sierra puede retroceder hacia usted causando un a lesión grave.

Cuando haga un corte, **SIEMPRE** aplique una presión firme y uniforme. Si fuerza la sierra se producirán cortes ásperos y puede acortar la vida útil de la sierra o causar retroceso.

**⚠ PELIGRO:** Cuando está cortando a través de la pieza de trabajo, el protector inferior de la hoja no cubre las hojas. Las hojas quedan expuestas por el lado inferior de la pieza de trabajo. **SIEMPRE** mantenga sus manos y dedos alejados del área de corte. Cualquier parte de su cuerpo que toque las hojas en movimiento puede sufrir una lesión grave.

Después de completar el corte, suelte el interruptor 'on/off' y espere hasta que las hojas se detengan completamente. **NO** retire la sierra de la pieza de trabajo cuando las hojas estén en movimiento.

**⚠ ATENCION:** Siempre que levanta la sierra de la pieza de trabajo, las hojas están expuestas por el lado inferior de la sierra hasta que el protector inferior de las hojas se cierra. **SIEMPRE ASEGURESE** de que el protector inferior de las hojas se haya cerrado bien antes de depositar la sierra en la superficie de trabajo.

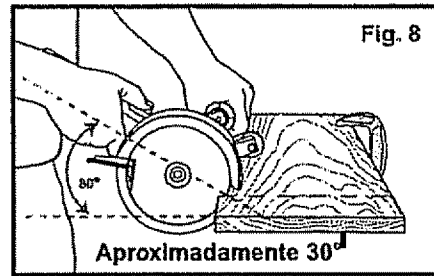
## FUNCIONAMIENTO cont.

### INSTRUCCIONES PARA LOS CORTES

**NOTA:** La vida útil de las hojas de su sierra Twin Cutter y la calidad de los bordes cortantes depende de que las vibraciones sean reducidas a un mínimo.

**SIEMPRE** sujete firmemente la pieza de trabajo **ANTES** de comenzar un corte. Después avance la hoja a través del material en un ángulo de aproximadamente 30° (ver Fig. 8).

Esta sierra produce astillas calientes, no chispas, cuando corta metal. Se recomienda que use una máscara facial sobre las gafas de seguridad para proteger su cara.



### VELOCIDAD DE AVANCE

La velocidad de avance es la rapidez con que se empujan las hojas de la sierra a través de material que está siendo cortado. La velocidad de avance correcta es determinada totalmente por la dureza y grosor del material que está siendo cortado.

**IMPORTANTE:** El avance debe **SIEMPRE** ser hecho con las hojas perpendiculares al plano de la pieza de trabajo (Ver Fig. A). Si avanza las hojas en ángulo puede quemar la hoja y dañar los dientes de la hoja (Ver Fig. B).

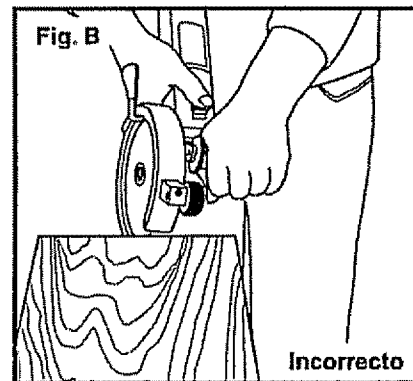
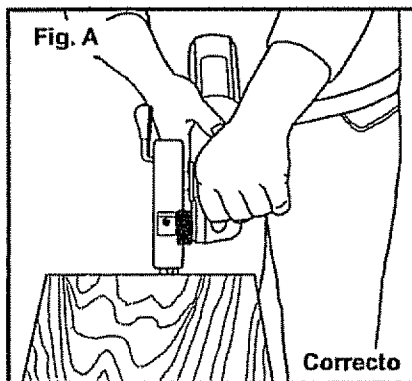
Es importante seleccionar la velocidad de avance correcta.

**Si la velocidad de avance es demasiado lenta:**

1. Las hojas solamente aplastarán el material en vez de cortarlo.
2. Los bordes de las hojas se deslizan y desgastan el material.
3. El corte será deficiente y causará desgaste excesivo de las hojas.

**Si la velocidad de avance es demasiado rápida:**

1. Existe un riesgo definido que el corte puede dividirse y que la abertura astillada del corte no será suficiente para desviar las virutas de madera.
2. El corte será deficiente con una descarga significativa de virutas de madera por el lado inferior del corte.



## FUNCIONAMIENTO cont.

### INSTRUCCIONES PARA LOS CORTES cont.

#### APLICACIONES

Las hojas proporcionadas con la sierra son de aplicación universal y realizan cortes limpios y lisos en:

- Madera hasta un máximo de 1 1/2 pulg. de profundidad.
- Tuberías o láminas de acero suave con un grosor máximo de pared o de lámina de 1/8 pulg.
- Tuberías o láminas de cobre, acero inoxidable, aluminio o hierro fundido con un grosor máximo de pared o de lámina de 1/8 pulg. Cuando corte estos materiales, **DEBE USAR** las varillas de lubricación de cera.
- Tuberías o láminas de plástico con un grosor máximo de pared de 1/8 pulg.

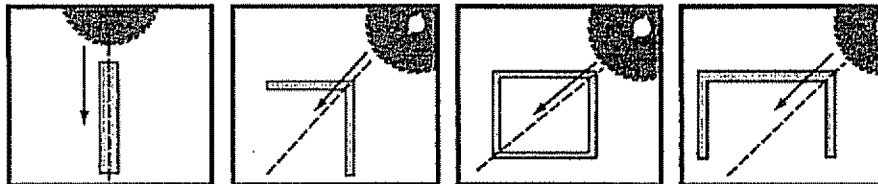
**IMPORTANTE:** La sierra de hoja doble **NO CORTARÁ** concreto, cemento o ladrillo.

**IMPORTANTE:** Una vez se hayan desgastado, partido o desafilado las hojas, las mismas **DEBEN SER** reemplazadas inmediatamente.

#### CORTE DE TODO TIPO DE MATERIALES

1. **SIEMPRE** espere que las hojas de la sierra alcancen la velocidad plena antes de que toquen la pieza de trabajo.
2. **SIEMPRE** sostenga la sierra de modo que las hojas avancen perpendicularmente hacia la pieza de trabajo. Sujete la sierra en un ángulo de aproximadamente 30°.
3. **SIEMPRE** colóquese a cualquier lado de las hojas de la sierra, pero no en línea con las hojas de la sierra.
4. Avance las hojas hacia la pieza de trabajo hasta hacer el corte deseado.
5. La entalla (ancho del corte) de las hojas gemelas mide aproximadamente 1/8 de pulgada. Siempre tome en cuenta el ancho de la entalla al hacer un corte.

Esta sierra Twin Cutter con sus hojas y acción de corte especial es una herramienta muy versátil que realiza cortes rápidos y eficaces en una variedad de materiales:

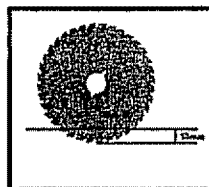


Barra de Hierro Plana

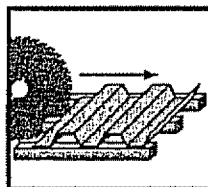
Esquinera

Tubería Rectangular

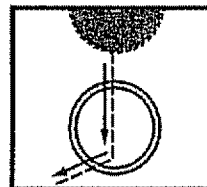
Sección en U



Plancha Delgada




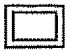


Plancha con Forma



Tuberías

## FUNCIONAMIENTO cont.

### CORTE DE TODO TIPO DE MATERIALES MÁXIMO DE MEDIDAS LIBRES Y VELOCIDADES DE ALIMENTACIÓN

TIPO DE CORTE TRANSVERSAL	MATERIALS	TAMAÑO MÁX. (CORTE TRANSVERSAL)	ESPESOR MÁX.	VIDA ÚTIL PROMEDIO DE LA HOJA	ALIMENTACIÓN O TIEMPO PROMEDIO
Tubo hueco 	Hierro galvanizado	1½-pulg.	1/8-pulg.	285 cortes	20 segundos
Canal cuadrado 	Acero dulce	1½-pulg.	1/8-pulg.	105 cortes	30 segundos
	Aluminio	1½-pulg.	1/8-pulg.	4000 cortes	5 segundos
Canal 	Acero dulce	1½-pulg.	1/8-pulg.	95 cortes	30 segundos
Plancha de metal 	Acero dulce	--	1/8-pulg.	60 pies	4.3 pulg./min
	Aluminio	--	1/8-pulg.	85 pies	10.2 pulg./min
Pomo Prisionero	Madera (Pino)	2 x 4-pulg.	1½-pulg.	4500 cortes	11 segundos
Pipa	Plástico (PVC)	1½-pulg.	3/16-pulg.	6000 cortes	6 segundos

PD: La vida útil promedio de la hoja indica los resultados obtenidos en pruebas de funcionamiento realizadas en tipos especiales de material de prueba según las indicaciones de la tabla precedente. Sin embargo, los resultados pueden variar si se utiliza la misma hoja en combinaciones de los materiales enumerados.

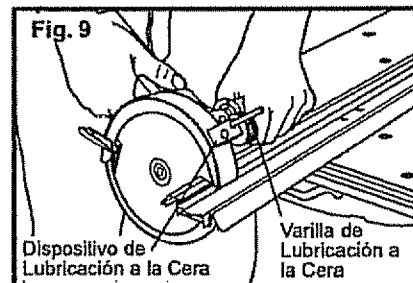
#### CICLO DE DEBER

**30 minutos en ciclo fuera de servicio de 10 minutos** refieren a la operación a corto plazo. La operación corta del tiempo denota la operación bajo carga normal para un periodo y un material especificados, comenzando el frío, el intervalo entre cada periodo de la operación que es suficiente permitir que la herramienta se refresque abajo aproximadamente a la temperatura ambiente.

Para cortar otros materiales puede ser necesaria manipulación aún más especial. Por ejemplo para cortar aluminio, cobre, acero inoxidable y hierro forjado o placas con forma

Corte de aluminio, cobre, acero inoxidable y hierro forjado de hasta 1/8 pulg. de grosor (Ver Fig. 9).

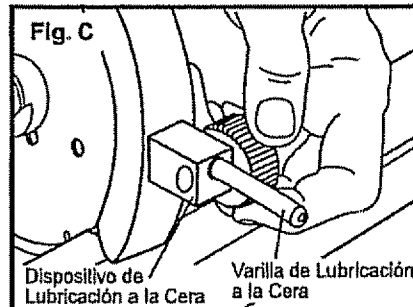
1. SIEMPRE use el dispositivo lubricador (se incluye) cuando corte estos materiales pues tienen tendencia a ablandarse y adherirse a las hojas.



#### INSTRUCCIONES DE LUBRICACION (Ver Figura C)

Las hojas de la sierra Twin Cutter están equipadas con dientes de "corte en seco" que bajo condiciones normales no necesitan ser lubricados. Sin embargo, bajo condiciones extremas, tal como cuando corta aluminio, cobre, acero inoxidable y hierro forjado se debe usar el dispositivo de lubricación a la cera.

1. Inserte la varilla lubricadora en el dispositivo de lubricación a la cera.
2. Gire la rueda distribuidora para aplicar lubricante a la hoja. Un cuarto (1/4) de vuelta debe proporcionar lubricación adecuada.



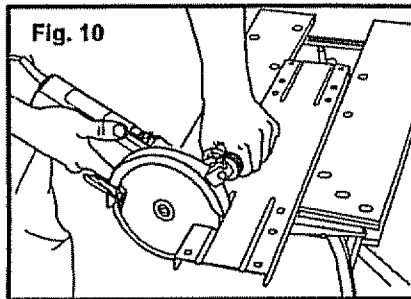


## FUNCIONAMIENTO cont.

### INSTRUCCIONES PARA LOS CORTES cont.

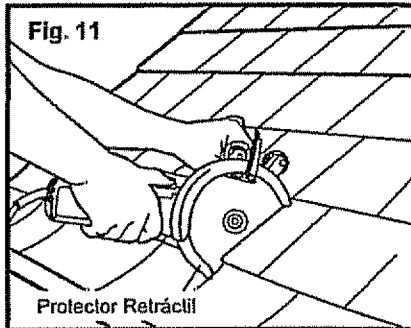
**Corte de placas con forma (no rectangulares) de hasta 1/8 pulg. de grosor (Ver Fig. 10).**

1. Cuando corte planchas de metal con forma, **SIEMPRE** apoye la placa de manera igual en ambos lados y en el medio con bloques de soporte. Esto impedirá que la plancha se doble cuando se hace el corte. Esto se recomienda ya sea cuando esté usando una mesa de fijación o mordazas ajustables en una mesa de trabajo plana.



### CORTES POR PENETRACION (Ver Figura 11)

1. Levante el protector retráctil con su mano izquierda hasta la posición abierta.
2. Use el pulgar de su mano izquierda para sujetar el protector en posición abierta a la vez que sujeta la manija auxiliar.
3. Ponga en marcha la sierra y haga penetrar las hojas en el material que va a cortar.
4. Empuje la sierra hacia adelante para completar el corte.
5. Apague la sierra, espere a que las hojas se detengan completamente, luego levante la sierra de la pieza de trabajo.
6. Limpie las esquinas del corte con una sierra de mano o con una sierra de sable, dependiendo del proyecto.



**NOTA:** Cuando corte materiales de techo, mantenga las hojas limpias con un solvente de limpieza de alquitrán y brea.

### DESMONTAJE DE LAS HOJAS DE LA SIERRA (Ver Figs. 12 - 15)

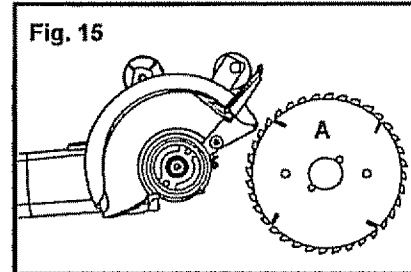
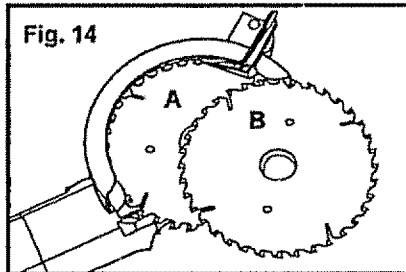
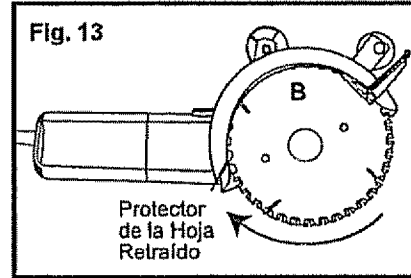
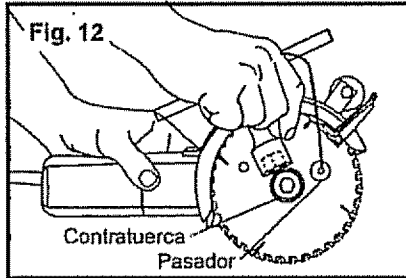
1. Desenchufe la sierra y deje que se enfríen las hojas.

**⚠ ADVERTENCIA:** Si no se desenchufa la sierra se puede producir la puesta en marcha accidental causando una posible lesión personal grave.

2. Gire las hojas hasta que los agujeros en ambas hojas estén alineados. Luego coloque el pasador que está adjunto a la llave a través de los agujeros de las hojas. Destornille la contratuerca girándola a la izquierda y retírela. (ver Fig. 12).
3. Abra el protector retráctil (ver Fig. 13).
4. Levante y retire la hoja "B" (ver Fig. 14).
5. Levante y retire la hoja "A" (ver Fig. 15).

## FUNCIONAMIENTO cont.

### DESMONTAJE DE LAS HOJAS DE LA SIERRA cont. (Ver Figs. 12 - 15)



### INSTALACION DE LAS HOJAS DE REPUESTO EN LA SIERRA (Ver Figs. 16 - 19)

**⚠ ADVERTENCIA:** Esta sierra Twin Cutter usa hojas especialmente diseñadas de 6 1/8 pulg. y nunca se debe usar ningún otro tipo o tamaño de hojas. Las hojas de otro tipo y tamaño no funcionarán en forma segura en esta sierra y pueden provocar una lesión personal grave.

Vea la sección Accesorios de este manual para las hojas de repuesto apropiadas necesarias para esta sierra.

1. Desenchufe la sierra.

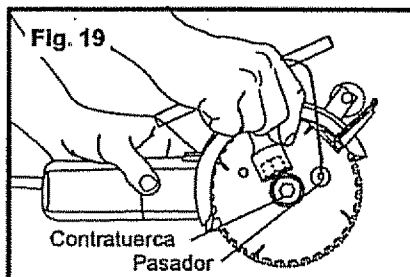
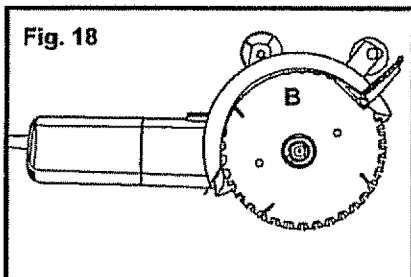
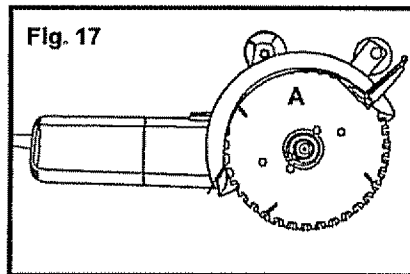
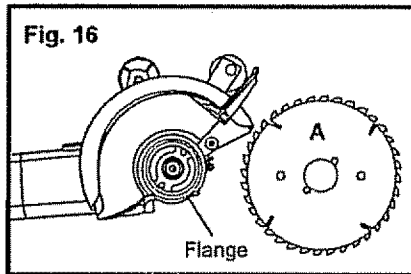
**⚠ ADVERTENCIA:** Si no se desenchufa la sierra se puede producir la puesta en marcha accidental causando una posible lesión personal grave.

2. Deposite la sierra con el eje de la hoja dirigido hacia arriba.
3. Coloque la hoja "A" en la brida de la hoja dejando la letra "A" claramente visible (ver Fig. 16).
4. Alinee los agujeros de la hoja con los pasadores de la brida y coloque firmemente la hoja en la brida (ver Fig. 17).
5. Coloque la hoja "B" en el eje dejando la "B" claramente visible, luego atornille la contratuerca en el eje. NO la apriete, (ver Fig. 18).
6. Gire las hojas para alinear los agujeros de ambas hojas.

## **FUNCIONAMIENTO cont.**

### **INSTALACION DE LAS HOJAS DE REPUESTO EN LA SIERRA cont.** (Ver Figs. 16 - 19)

7. Coloque el pasador (se incluye con la llave) en los agujeros ya alineados.
8. Apriete la contratuerca a la derecha y luego retire el pasador de las hojas (ver Fig. 20). Esto permitirá que las hojas giren libremente.
9. Gire cuidadosamente las hojas con la mano para asegurarse de que giran con facilidad en dirección opuesta.



## **MANTENIMIENTO**

### **GENERALIDADES**

**⚠ ADVERTENCIA:** A fin de evitar accidentes, **SIEMPRE** desenchufe la herramienta de la fuente de alimentación **ANTES** de la limpieza o de realizar cualquier labor de mantenimiento.

Todas las piezas representan una parte importante del sistema de aislamiento doble y deben ser reparadas solamente en un Centro de Servicio Sears.

Evite el uso de solventes cuando limpie las piezas de plástico. La mayoría de los plásticos son susceptibles a diversos tipos de solventes comerciales y pueden dañarse con su uso. Use paños limpios para sacar la suciedad, polvo de carbón, etc.

**⚠ ADVERTENCIA:** Evite en todo momento que los líquidos de frenos, gasolina, productos a base de petróleo, aceites penetrantes, etc. entren en contacto con las piezas de plástico. Ellos contienen productos químicos que pueden dañar, debilitar o destruir el plástico.

## **MANTENIMIENTO cont.**

### **GENERALIDADES cont.**

Se ha comprobado que las herramientas eléctricas se someten a desgaste acelerado y posible falla prematura cuando se utilizan en botes de fibra de vidrio, automóviles deportivos, madera laminada, compuestos obturadores o yeso. Las astillas y el polvo de la fibra de vidrio son altamente abrasivos para los cojinetes, escobillas, conmutadores, etc. Por lo tanto no se recomienda que esta herramienta se use para trabajo prolongado en cualquier material de fibra de vidrio, madera laminada, compuestos obturadores o yeso. Durante cualquier uso de estos materiales, es extremadamente importante que la herramienta se limpie con frecuencia, soplándola con un chorro de aire.

**⚠ ADVERTENCIA:** SIEMPRE use gafas protectoras o lentes de seguridad con protección lateral o una máscara facial cuando sople polvo de una herramienta al limpiarla. Si la operación es polvorienta también use una máscara contra el polvo.

### **LUBRICACION**

Todos los cojinetes en esta herramienta han sido lubricados con suficiente cantidad de lubricante de alta calidad para durar toda la vida útil de la herramienta, bajo condiciones normales de funcionamiento. Por lo tanto, no se requiere lubricación adicional.

### **AISLAMIENTO DOBLE**

El aislamiento doble es un concepto relacionado con la seguridad de las herramientas eléctricas, que elimina la necesidad del cordón eléctrico trifilar puesto a tierra y del sistema de alimentación de energía puesto a tierra. Todas las piezas metálicas expuestas están aisladas de los componentes internos del motor con aislamiento protector. Las herramientas con aislamiento doble no necesitan ser puestas a tierra.

### **IMPORTANTE**

La reparación de una herramienta con aislamiento doble exige extremo cuidado y conocimiento del sistema por lo tanto debe ser realizada solamente por un técnico de servicio calificado. En caso de necesitar servicio, recomendamos que devuelva la herramienta a su Centro de Servicio Sears más cercano para su reparación. **SIEMPRE** use repuestos de fábrica originales cuando repare la herramienta.

### **CORDONES DE EXTENSION**

El uso de un cordón de extensión causará una cierta pérdida de potencia. Para mantener la pérdida a un mínimo y evitar el sobrecalentamiento de la herramienta, use un cordón de extensión que sea lo suficientemente grueso como para transportar la corriente que necesitará su herramienta.

Para un cordón de extensión de 100 pies o menos de largo se recomienda por lo menos el calibre 16 (A.W.G.). Cuando trabaje al aire libre, **SIEMPRE** use un cordón de extensión adecuado para uso al aire libre. La envoltura del cordón estará marcada con las letras WA.

**⚠ ATENCION:** Mantenga los cordones de extensión alejados de la zona del corte y coloque el cordón de tal manera que no se enredará en la madera, herramientas, etc., cuando esté cortando

**⚠ PELIGRO:** Revise los cordones de extensión antes de cada uso. Si están dañados reemplácelos inmediatamente. **NUNCA** use una herramienta con un cordón dañado pues al tocar el lugar dañado puede causar un choque eléctrico que resulte en una lesión grave.

Los cordones de extensión que son adecuados para usar con su sierra están disponible en su Almacén Sears más cercano.

## LOCALIZACION Y SOLUCION DE AVERIAS

PROBLEMA	CAUSA	SOLUCION
Se produce una cantidad excepcionalmente grande de chispas	<ol style="list-style-type: none"> <li>1. Dientes dañados</li> <li>2. Velocidad de avance demasiado lenta</li> <li>3. Dientes despuntados</li> </ol>	<ol style="list-style-type: none"> <li>1. Reemplace las hojas</li> <li>2. Aumente la velocidad de avance</li> <li>3. Reemplace las hojas</li> </ol>
Mucho desgaste en algunas secciones	<ol style="list-style-type: none"> <li>1. Velocidad de avance demasiado rápida</li> <li>2. Dientes dañados</li> <li>3. Dientes despuntados</li> <li>4. No se está cortando en forma perpendicular a la superficie de trabajo</li> </ol>	<ol style="list-style-type: none"> <li>1. Reduzca la velocidad de avance</li> <li>2. Reemplace las hojas</li> <li>3. Reemplace las hojas</li> <li>4. Sostenga la sierra perpendicular a la superficie de trabajo</li> </ol>
Las hojas se rompen	<ol style="list-style-type: none"> <li>1. Dientes dañados</li> <li>2. Velocidad de avance demasiado rápida</li> <li>3. Dientes despuntados</li> <li>4. Las hojas se han torcido</li> <li>5. Las hojas se han fundido</li> </ol>	<ol style="list-style-type: none"> <li>1. Reemplace las hojas</li> <li>2. Reduzca la velocidad de avance</li> <li>3. Reemplace las hojas</li> <li>4. Reemplace las hojas</li> <li>5. Reemplace las hojas</li> </ol>
Causas posibles de dientes rotos	<ol style="list-style-type: none"> <li>1. Velocidad de avance demasiado rápida</li> <li>2. La superficie que está siendo cortada es demasiado dura</li> <li>3. Los dientes se dañaron a causa de un impacto</li> <li>4. Las hojas no están debidamente instaladas</li> <li>5. Las hojas están fundidas</li> <li>6. No se está cortando en forma perpendicular a la superficie de trabajo</li> </ol>	<ol style="list-style-type: none"> <li>1. Reduzca la velocidad de avance</li> <li>2. Reemplace las hojas</li> <li>3. Reemplace las hojas</li> <li>4. Reemplace las hojas y siga las instrucciones apropiadas para la instalación de las hojas</li> <li>5. Reemplace las hojas</li> <li>6. Reemplace las hojas y cuando esté cortando sostenga siempre la sierra perpendicular a la superficie de trabajo</li> </ol>

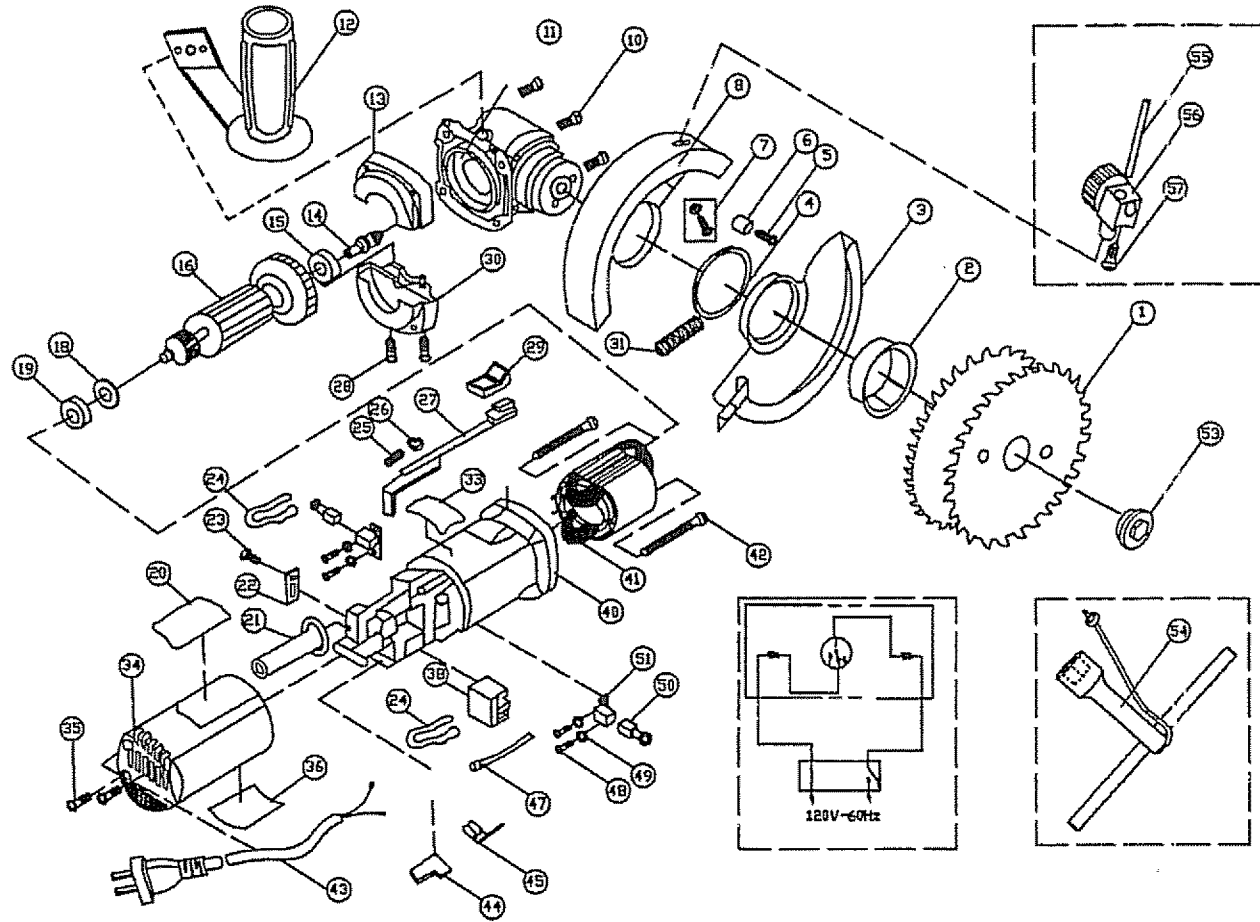
## ACCESORIOS

**⚠ ADVERTENCIA:** Esta sierra Twin Cutter usa hojas especialmente diseñadas de 6 1/8 pulg. y nunca se debe usar ningún otro tipo o tamaño de hojas. Las hojas de otro tipo y tamaño no funcionarán en forma segura en esta sierra y pueden provocar una lesión personal grave.

Los accesorios para su sierra Twin Cutter que se indican a continuación están disponibles en su Almacén Sears local.

**9-61131 - Un conjunto de 2 Hojas Universales para Sierra Twin Cutter empacadas**  
**9 26678 - 6 Varillas Lubricadoras a la Cera empacadas**

**⚠ ADVERTENCIA:** El uso de accesorios o dispositivos no recomendados puede ser peligroso.



## SIERRA TWIN-CUTTER – NUMERO DE MODELO 286.25574

El número de modelo se encuentra en la placa de fabricante. SIEMPRE mencione el número de modelo en toda la correspondencia referente a su herramienta.

No.	No. de pieza	Descripción	Cantidad
1	PW001	Hoja	1 Set
2	PW002	Protector de la Hoja	1
3	PW003	Protector Retractivo	1
4	PW004	Arandela del Protector	1
5	PW005	Tornillo M4 x 14	1
6	PW006	Pasador de Goma	1
7	PW007	Tornillo SA M4 x 12	1
8	PW008	Protector	1
10	PW010	Tornillo Autorroscante ST 4.2 x 35	4
11	PW011	Caja de Engranajes SA	1
12	PW012	Manija Lateral	1
13	PW013	Cubierta	1
14	PW014	Piñón	1
15	PW015	Cojinete 6000	1
16	PW016	Inducido	1
18	PW018	Aro de Goma	1
19	PW019	Cojinete 607	1
20	PW020	Etiqueta	1
21	PW021	Blindaje del Cordón	1
22	PW022	Platina del Cordón	1
23	PW023	Tornillo Autorroscante ST 4.2 x 12	1
24	PW024	Etiqueta IV	2
25	PW025	Resorte	1
26	PW026	Arandela Elástica	1
27	PW027	Palanca del Interruptor	1

No.	No. de pieza	Descripción	Cantidad
28	PW028	Tornillo Autorroscante ST 4.2 x 20	2
29	PW029	Botón del Interruptor	1
30	PW030	Cubierta	1
31	PW031	Resorte	1
33	PW033	Etiqueta Pequeña	1
34	PW034	Última Página	1
35	PW035	Tornillo Autorroscante ST 4.2 x 16	2
36	PW036	Placa de Fabricante	1
38	PW038	Interruptor	1
40	PW040	Caja	1
41	PW041	Estator	1
42	PW042	Tornillo Autorroscante ST 4.2 x 65	2
43	PW043	Cordón y Enchufe	1
44	PW044	Arandela	1
45	PW045	Conductor I	1
47	PW047	Conductor III	1
48	PW048	Tornillo Autorroscante ST 2.2 x 8.5	4
49	PW049	Arandela	4
50	PW050	Escobilla	2
51	PW051	Portaescobilla	2
53	PW053	Hoja Contratuerca	1
54	PW054	Llave	1
55	PW055	Tubo de Cera	1
56	PW056	Dispositivo Lubricador	1
57	PW057	Tornillo Autorroscante ST 4.8 x 10	1

VEA LAS INSTRUCCIONES PARA HACER PEDIDOS DE REPUESTOS EN LA ÚLTIMA PÁGINA.

## Get it fixed, at your home or ours!

### Your Home

For repair—in your home—of all major brand appliances, lawn and garden equipment, or heating and cooling system, **no matter who made it, no matter who sold it!**

For the replacement parts, accessories and owner's manuals that you need to do-it-yourself.

For Sears professional installation of home appliances and items like garage door openers and water heaters.

**1-800-4-MY-HOME® (1-800-469-4663)**

Call anytime, day or night (U.S.A. and Canada)

[www.sears.com](http://www.sears.com) [www.sears.ca](http://www.sears.ca)

### Our Home

For repair of carry-in items like vacuums, lawn equipment, and electronic, call or go on-line for the location of your nearest **Sears Parts & Repair Center.**

**1-800-488-1222**

Call anytime, day or night (U.S.A. only)

[www.sears.com](http://www.sears.com)

To purchase a protection agreement (U.S.A.) or maintenance agreement (Canada) on a product serviced by Sears:

**1-800-827-6655 (U.S.A.) 1-800-361-6665 (Canada)**

Para pedir servicio de reparación a domicilio, y para ordenar piezas:

**1-888-SU-HOGAR®**  
(1-888-784-6427)

Au Canada pour service en français:

**1-800-LE-FOYER<sup>MC</sup>**  
(1-800-533-6937)  
[www.sears.ca](http://www.sears.ca)



© Sears Brands, LLC

® Registered Trademark / ™ Trademark / ™ Service Mark of Sears Brands, LLC

® Marca Registrada / ™ Marca de Fábrica / ™ Marca de Servicio de Sears Brands, LLC

MC Marque de commerce / MD Marque déposée de Sears Brands, LLC



## Free Manuals Download Website

<http://myh66.com>

<http://usermanuals.us>

<http://www.somanuals.com>

<http://www.4manuals.cc>

<http://www.manual-lib.com>

<http://www.404manual.com>

<http://www.luxmanual.com>

<http://aubethermostatmanual.com>

Golf course search by state

<http://golfingnear.com>

Email search by domain

<http://emailbydomain.com>

Auto manuals search

<http://auto.somanuals.com>

TV manuals search

<http://tv.somanuals.com>