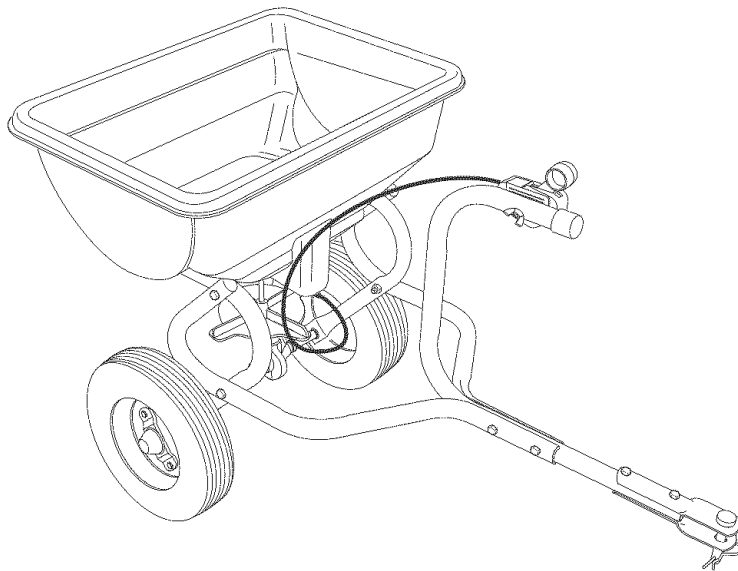


## Owner's Manual

# CRAFTSMAN®

## BROADCAST SPREADER

Model No. 486.243222



### CAUTION:

Before using this product, read this manual and follow all Safety Rules and Operating Instructions.

### IMPORTANT - READ THIS FIRST!!!

For Missing Parts or Assembly Questions

Please Call 866-576-8388

Mon.-Fri. 7 am - 5 pm CST.

FAX 217-728-2032 or e-mail [info@agri-fab.com](mailto:info@agri-fab.com)

Missing parts will be sent UPS in 24 hours directly to your home.

- Safety
- Assembly
- Operation
- Maintenance
- Parts

Sears, Roebuck and Co., Hoffman Estates, IL 60179 U.S.A.

[www.sears.com/craftsman](http://www.sears.com/craftsman)

FORM NO. 49457 (REV. 5/05)

## TABLE OF CONTENTS

SAFETY RULES.....	2	MAINTENANCE .....	6
FULL SIZE HARDWARE CHART.....	3	STORAGE .....	6
CARTON CONTENTS.....	3	REPAIR PARTS .....	7
ASSEMBLY.....	3,4	PARTS ORDERING/SERVICE .....	Back Page
OPERATION.....	5		

## WARRANTY

### LIMITED ONE YEAR WARRANTY ON CRAFTSMAN SPREADER

For one year from the date of purchase, when this spreader is maintained and lubricated according to the operating and maintenance instructions in the owner's manual, Sears will repair any defect in material or workmanship free of charge. If this spreader is used for commercial or rental purposes, this warranty applies for only 90 days from the date of purchase.

This warranty does not cover repairs necessary because of operator negligence or abuse, including the failure to maintain the equipment according to instructions contained in the owner's manual.

WARRANTY SERVICE IS AVAILABLE BY CONTACTING THE NEAREST SEARS SERVICE CENTER/DEPARTMENT IN THE UNITED STATES.

This warranty applies only while this product is in the United States.

This warranty gives you specific legal rights, and you may also have other rights which vary from state to state. Sears, Roebuck and Co. D/817 WA. Hoffman Estates, Chicago, IL 60179

The model number and serial numbers will be found on a decal attached to the spreader.

You should record both the serial number and the date of purchase and keep in a safe place for future reference.

MODEL NUMBER: 486.243222

SERIAL NUMBER: \_\_\_\_\_

DATE OF PURCHASE: \_\_\_\_\_



## SAFETY

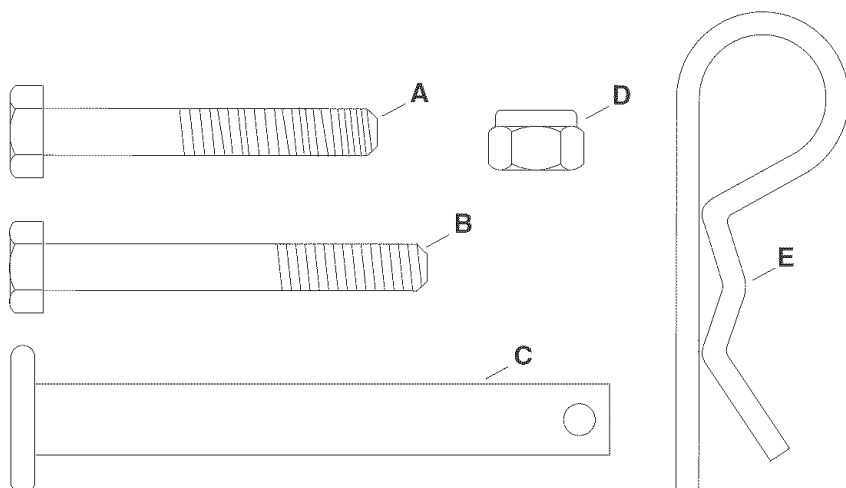


- Read the towing vehicle owners manual and towing vehicle safety rules. Know how to operate your tractor before using the broadcast spreader attachment.
- Read the chemical label instructions and cautions for handling and applying the chemicals purchased for spreading.
- Wear eye and hand protection when handling and when applying lawn or garden chemicals.
- Never operate tractor and spreader attachment without wearing substantial footwear, and do not allow anyone to ride or sit on spreader attachment frame.
- Never allow children to operate the tractor or spreader attachment, and do not allow adults to operate without proper instructions.
- Always begin with the transmission in first (low) gear and with the engine at low speed, and gradually increase speed as conditions permit. Maximum towing speed - 6 M.P.H.
- When towing broadcast spreader do not drive too close to a creek or ditch and be alert for holes and other hazards which could cause you to loose control of the broadcast spreader and tractor.
- Before operating vehicle on any grade (hill) refer to the safety rules in the vehicle owner's manual concerning safe operation on slopes. **Stay off steep slopes!**
- Follow maintenance and lubrication instructions as outlined in this manual.



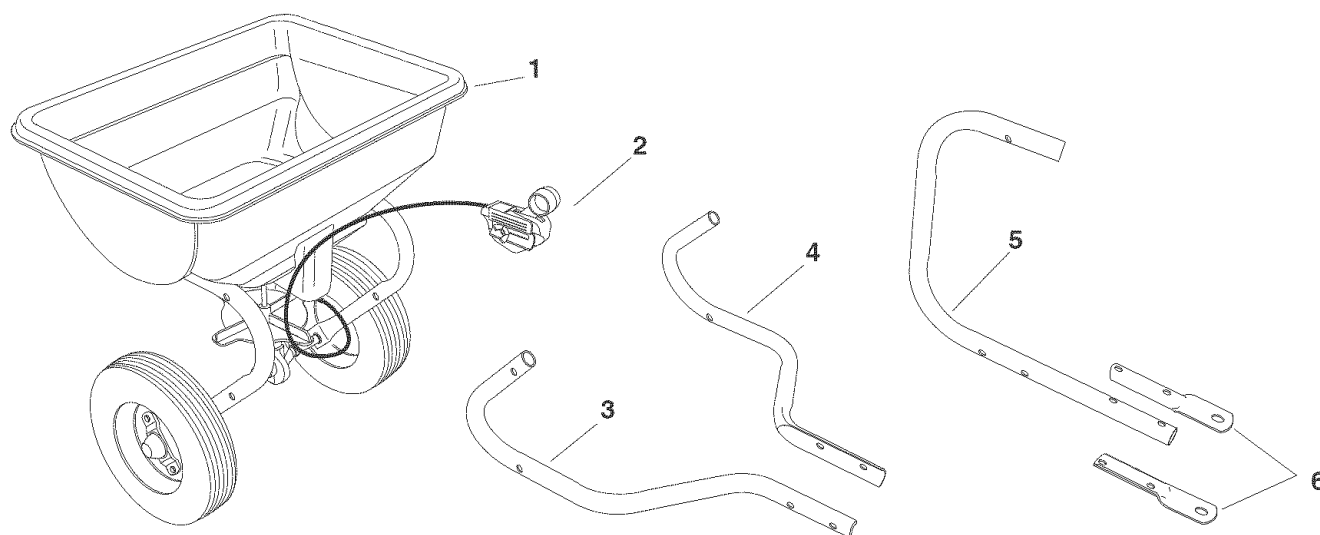
Look for this symbol to point out important safety precautions. It means--**Attention!! Become alert!! Your safety is involved.**

## HARDWARE PACKAGE CONTENTS



REF.	QTY.	DESCRIPTION
A	4	Hex Bolt, 1/4" x 1-3/4"
B	4	Hex Bolt, 1/4" x 2"
C	1	Hitch Pin
D	8	Nut, 1/4"
E	1	Hair Cotter Pin, 1/8"

## ASSEMBLY



### CARTON CONTENTS

1. Spreader Assembly
2. Control Cable
3. Hitch Tube, R.H. (Right Hand)
4. Hitch Tube, L.H. (Left Hand)
5. Hitch Control Tube
6. Hitch Brackets (2)

### TOOLS REQUIRED FOR ASSEMBLY

(2) 7/16" Wrenches

### REMOVAL OF PARTS FROM CARTON

- Remove all parts and hardware packages from the carton. Lay out all parts and hardware and identify using the illustrations on page 3.

## ASSEMBLY

- Assemble vinyl caps onto the ends of the R.H. and L.H. Hitch Tubes. See figure 1.
- Assemble the R.H. Hitch Tube to the spreader frame tube using two 1/4" x 2" hex bolts and 1/4" nuts. **Do not tighten yet.** Repeat for L.H. Hitch Tube. See figure 1.

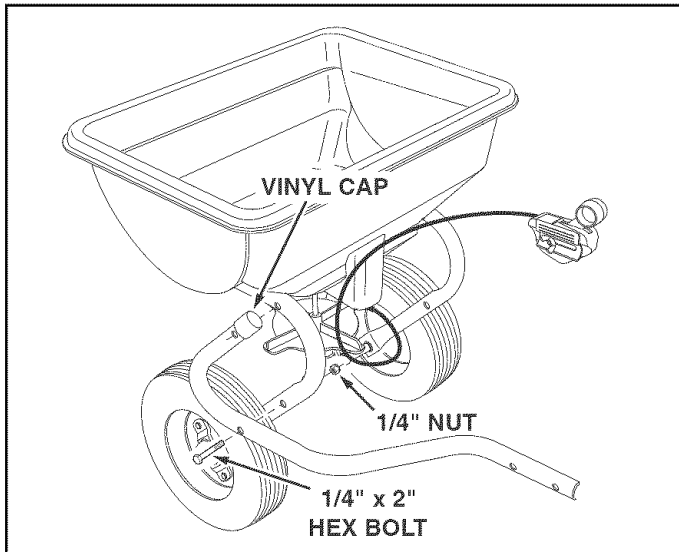


FIGURE 1

- Assemble the Hitch Brackets to the Hitch Control Tube using two 1/4" x 1-3/4" hex bolts and 1/4" nuts. **Tighten.** See figure 3.
- Assemble the hitch pin through the hitch brackets and secure with the 1/8" hair cotter pin. See figure 3.

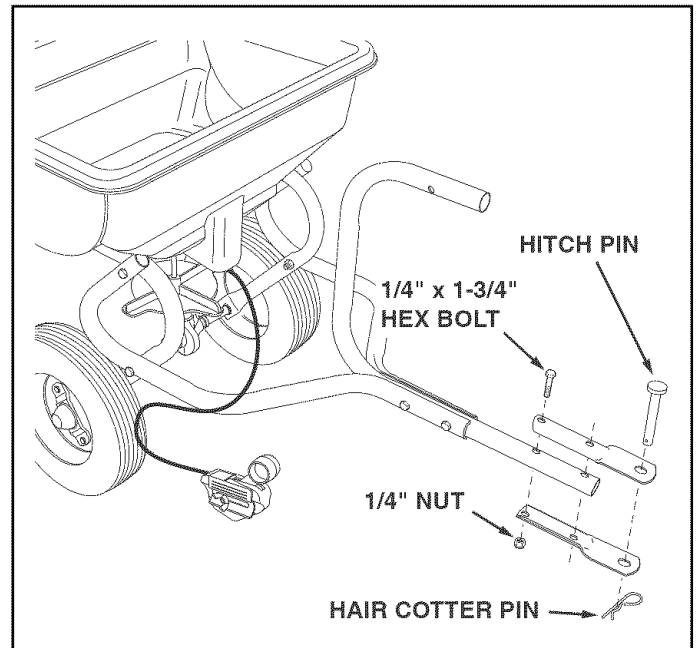


FIGURE 3

- Assemble the Hitch Control Tube between the Hitch Tubes using two 1/4" x 1-3/4" hex bolts and 1/4" nuts. **Tighten all bolts and nuts.** See figure 2.

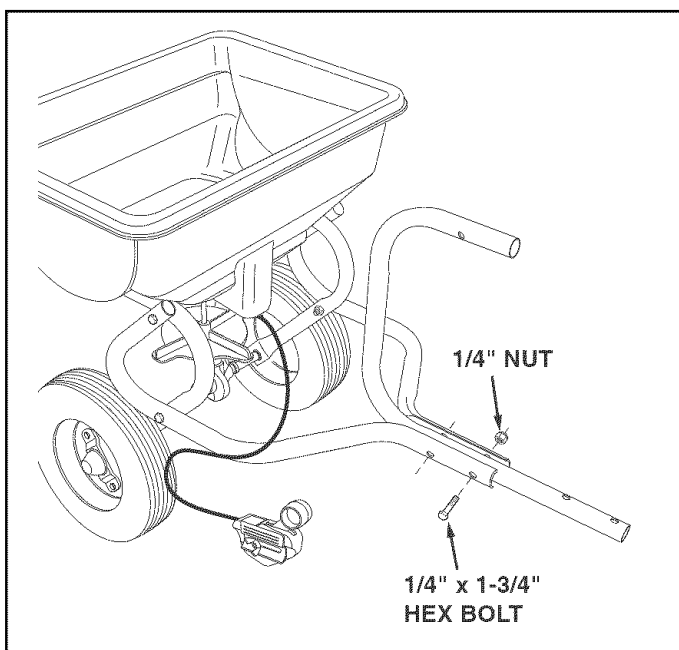


FIGURE 2

- Assemble the vinyl cap onto the Hitch Control Tube. See figure 4.
- Assemble the Control Cable to the Hitch Control Tube using the carriage bolt and nylon wing nut. See figure 4.

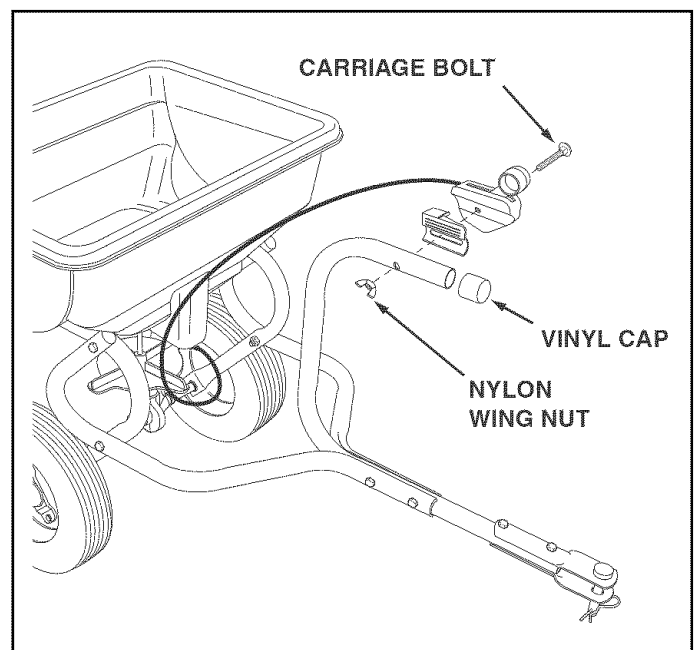


FIGURE 4

# OPERATION

## KNOW YOUR SPREADER

Read this owner's manual and safety rules before operating your Spreader.

Compare the illustration below with your Spreader to familiarize yourself with the various controls and their locations.

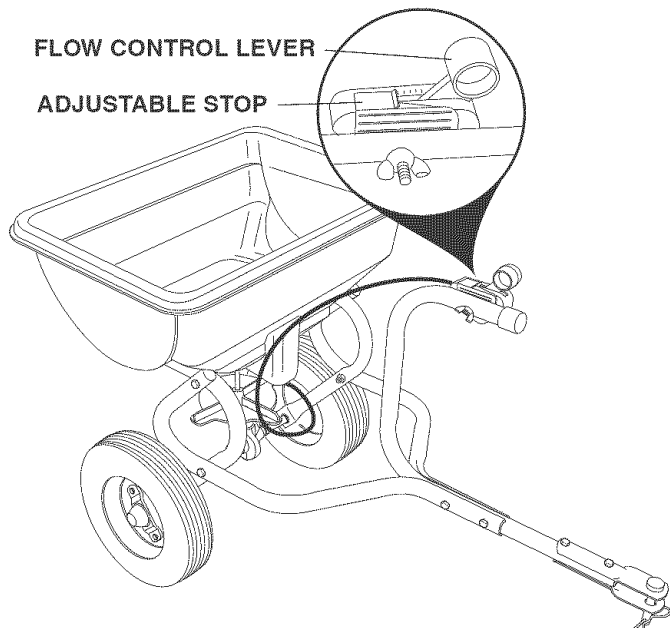


FIGURE 5

**FLOW CONTROL LEVER** Opens and closes the flow plate on the bottom of the hopper.

**ADJUSTABLE STOP** Allows the flow control lever to be moved to the same setting repeatedly.

## HOW TO USE YOUR SPREADER

### ADJUSTING THE FLOW RATE SETTING

- Loosen the wing nut that fastens the control to the handle.
- Slide the Adjustable stop to the desired setting and retighten the wing nut. See figure 5.

## USING YOUR SPREADER

- Check the material package and the Spreader Settings sheet included with your spreader for the proper spreader setting and application rate.
- Before filling spreader, move the control lever to the "OFF" position.
- Move spreader onto a flat surface - either a walk or a driveway - and fill.
- Slide the Adjustable Stop to the desired setting.
- Start the spreader in motion, then move the control lever forward against the adjustable stop to begin spreading.

**NOTE:** Always place control lever in the "OFF" position while filling spreader and when stopping or turning, to prevent release of excess fertilizer.

## APPLICATION TIPS

- This unit will cover a 4 to 8 foot wide area depending on the material used and the towing speed.
- To avoid misses or striping, make each pass about 5 feet from the previous one so some overlapping of spread pattern does occur.
- For easiest application, spread across the shortest edges of lawn first, making two "header" strips for a turning area, and then spreading between the header strips. See figure 6.
- If lawn is odd shaped, spread a border around the edges and then spread between the border. See figure 6.
- Keep wheel approximately 4 feet from any area you do not wish to spread.

**IMPORTANT:** Be careful when using spreader around ornamental plants because weed control chemicals can damage these plants.

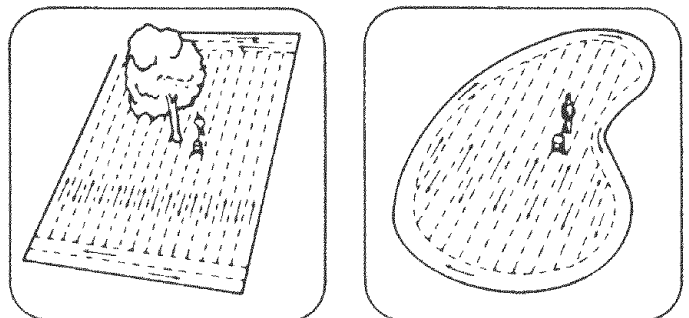


FIGURE 6

# MAINTENANCE

## CUSTOMER RESPONSIBILITIES

- Read and follow the maintenance schedule and the maintenance procedures listed in this section.

MAINTENANCE SCHEDULE Fill in dates as you complete regular service.	Service Dates											
	Before each use	After each use	Every season	Before storage								
Check for loose fasteners	X											
Clean		X	X									
Lubrication			X									

## CHECK FOR LOOSE FASTENERS

- Make a thorough visual check of the Spreader for any bolts and nuts which may have loosened. Retighten any loose bolts and nuts.
- Always empty spreader after each use, storing leftover material in it's original bag.
- Wash the spreader and dry thoroughly after each use.

## LUBRICATION

- Apply a few drops of oil to all moving parts.

## CLEANING

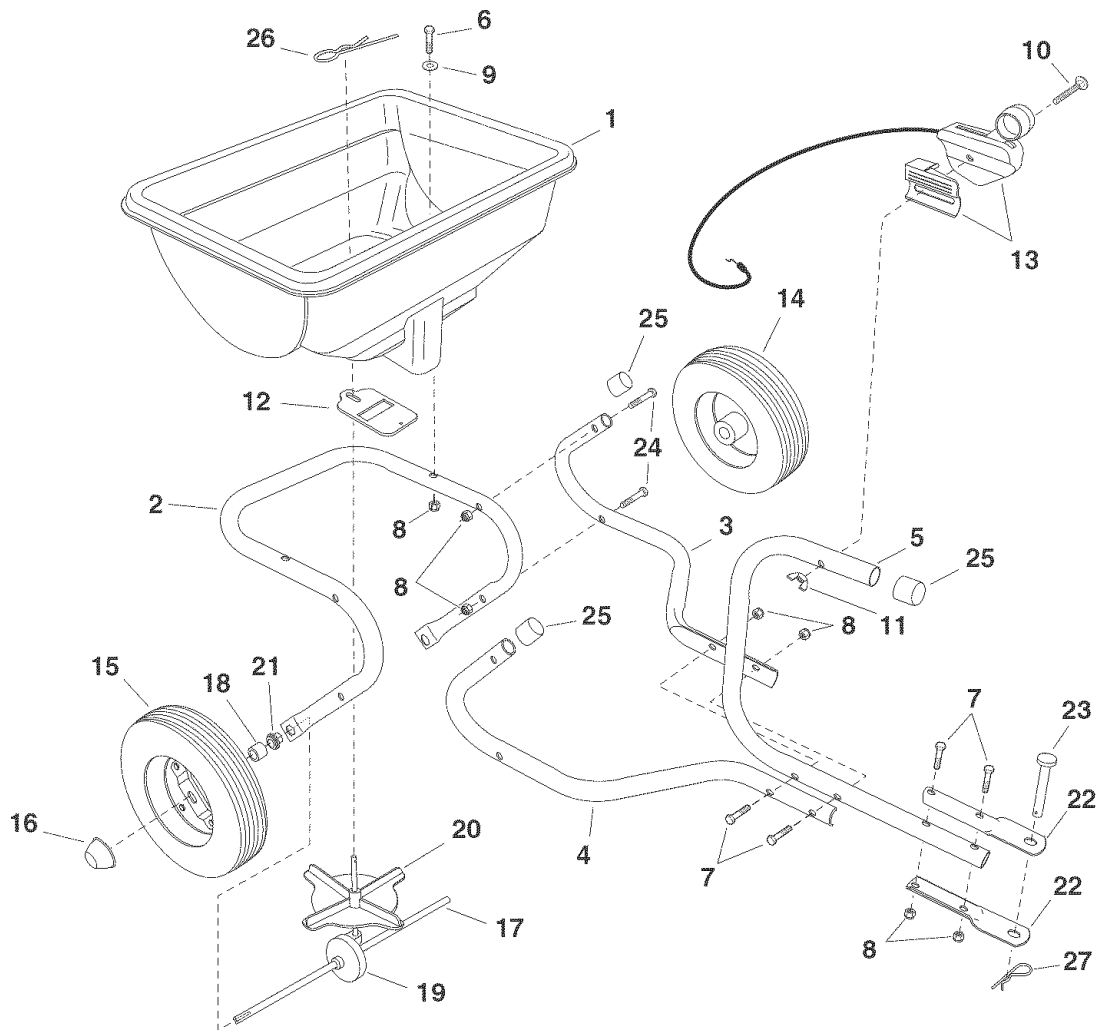
# STORAGE

## STORAGE

- Empty and clean the hopper as instructed in maintenance section.
- Store in a clean, dry area.

# PARTS

## REPAIR PARTS FOR MODEL 486.243222



REF. NO.	PART NO.	QTY.	DESCRIPTION	REF. NO.	PART NO.	QTY.	DESCRIPTION
1	47994BLK	1	Hopper	15	48865	1	Drive Wheel
2	49085	1	Frame Tube	16	44663	2	Hub Cap (Push Nut)
3	49087	1	Hitch Tube (LH)	17	49082	1	Axle
4	49088	1	Hitch Tube (RH)	18	47851	2	Spacer
5	49091	1	Hitch Control Tube	19	49084	1	Gearbox
6	43648	2	Hex Bolt, 1/4-20 x 1-1/2"	20	47124	1	Impeller
7	1509-69	4	Hex Bolt, 1/4-20 x 1-3/4"	21	47963	2	Hex Flange Bearing
8	47189	10	Nylock Nut, 1/4-20	22	24446	2	Hitch Bracket
9	43088	2	Washer, 1/4 Std	23	47623	1	Hitch Pin
10	45165	1	Carriage Bolt 1/4-20 x 2"	24	46699	4	Hex Bolt, 1/4-20 x 2"
11	47141	1	Nylon Wing Nut 1/4-20	25	44481	3	Vinyl Cap
12	47983	1	Flow Slide	26	48934	1	Hairpin, Agitator
13	49820	1	Control Cable	27	43343	1	Hairpin, Cotter
14	46503	1	Wheel		49457	1	Owners Manual

# Get it fixed, at your home or ours!

For repair of major brand appliances **in your own home...**  
no matter who made it, no matter who sold it!

**1-800-4-MY-HOME<sup>SM</sup>** Anytime, day or night  
(1-800-469-4663)

[www.sears.com](http://www.sears.com)

To bring in products such as vacuums, lawn equipment and electronics  
for repair, call for the location of your nearest **Sears Parts & Repair Center.**

**1-800-488-1222** Anytime, day or night

[www.sears.com](http://www.sears.com)

For the replacement parts, accessories and owner's manuals  
that you need to do-it-yourself, call **Sears PartsDirect<sup>SM</sup>!**

**1-800-366-PART** 6 a.m. – 11 p.m. CST,  
(1-800-366-7278) 7 days a week

[www.sears.com/partsdirect](http://www.sears.com/partsdirect)

To purchase or inquire about a Sears Service Agreement:

**1-800-827-6655**

7 a.m. – 5 p.m. CST, Mon. – Sat.

Para pedir servicio de reparación a domicilio,  
y para ordenar piezas con entrega a domicilio:

**1-888-SU-HOGAR<sup>SM</sup>**  
(1-888-784-6427)

Au Canada pour service en français:

**1-877-LE-FOYER<sup>SM</sup>**  
(1-877-533-6937)





## Free Manuals Download Website

<http://myh66.com>

<http://usermanuals.us>

<http://www.somanuals.com>

<http://www.4manuals.cc>

<http://www.manual-lib.com>

<http://www.404manual.com>

<http://www.luxmanual.com>

<http://aubethermostatmanual.com>

Golf course search by state

<http://golfingnear.com>

Email search by domain

<http://emailbydomain.com>

Auto manuals search

<http://auto.somanuals.com>

TV manuals search

<http://tv.somanuals.com>