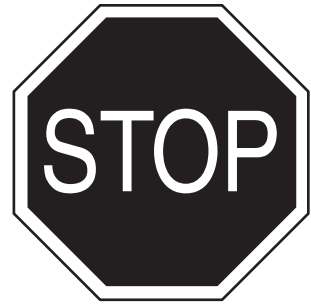


Owner's Manual

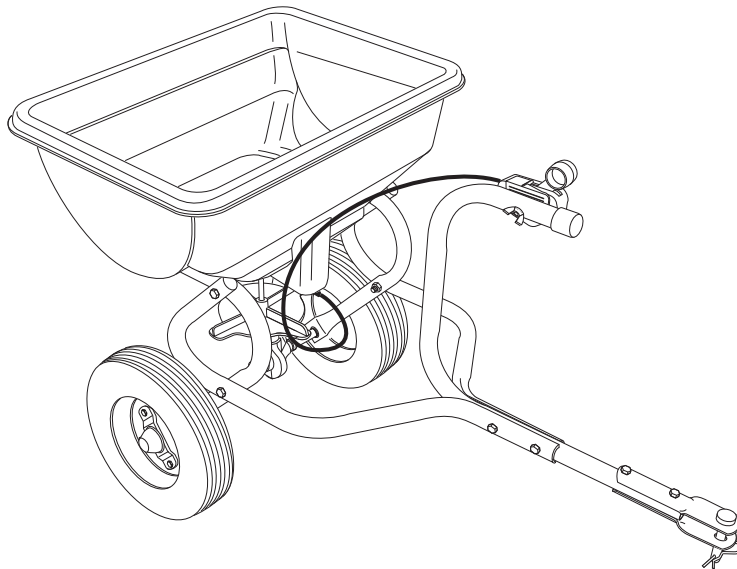
CRAFTSMAN[®]

BROADCAST SPREADER

Model No. 486.243223



DO NOT RETURN TO STORE
For Missing Parts or Assembly
Questions Call 1-866-576-8388



CAUTION:

Before using this product,
read this manual and follow
all Safety Rules and
Operating Instructions.

- Safety
- Assembly
- Operation
- Maintenance
- Parts

Sears, Roebuck and Co., Hoffman Estates, IL 60179 U.S.A.
www.sears.com/craftsman

FORM NO. 40986 (05/08/08)

TABLE OF CONTENTS

SAFETY RULES.....	2	MAINTENANCE	7
HARDWARE PACKAGE CONTENTS	3	STORAGE	7
CARTON CONTENTS.....	3	REPAIR PARTS	7
ASSEMBLY.....	4-5	PARTS ORDERING/SERVICE	Back Page
OPERATION.....	6		

WARRANTY

LIMITED ONE YEAR WARRANTY ON CRAFTSMAN SPREADER

For one year from the date of purchase, when this spreader is maintained and lubricated according to the operating and maintenance instructions in the owner's manual, Sears will repair any defect in material or workmanship free of charge. If this spreader is used for commercial or rental purposes, this warranty applies for only 90 days from the date of purchase.

This warranty does not cover repairs necessary because of operator negligence or abuse, including the failure to maintain the equipment according to instructions contained in the owner's manual.

WARRANTY SERVICE IS AVAILABLE BY CONTACTING THE NEAREST SEARS SERVICE CENTER/DEPARTMENT IN THE UNITED STATES.

This warranty applies only while this product is in the United States.

This warranty gives you specific legal rights, and you may also have other rights which vary from state to state. Sears, Roebuck and Co. D/817 WA. Hoffman Estates, Chicago, IL 60179

The model number and serial numbers will be found on a decal attached to the spreader. You should record both the serial number and the date of purchase and keep in a safe place for future reference.	MODEL NUMBER: 486.243223 SERIAL NUMBER: _____ DATE OF PURCHASE: _____
--	---



SAFETY

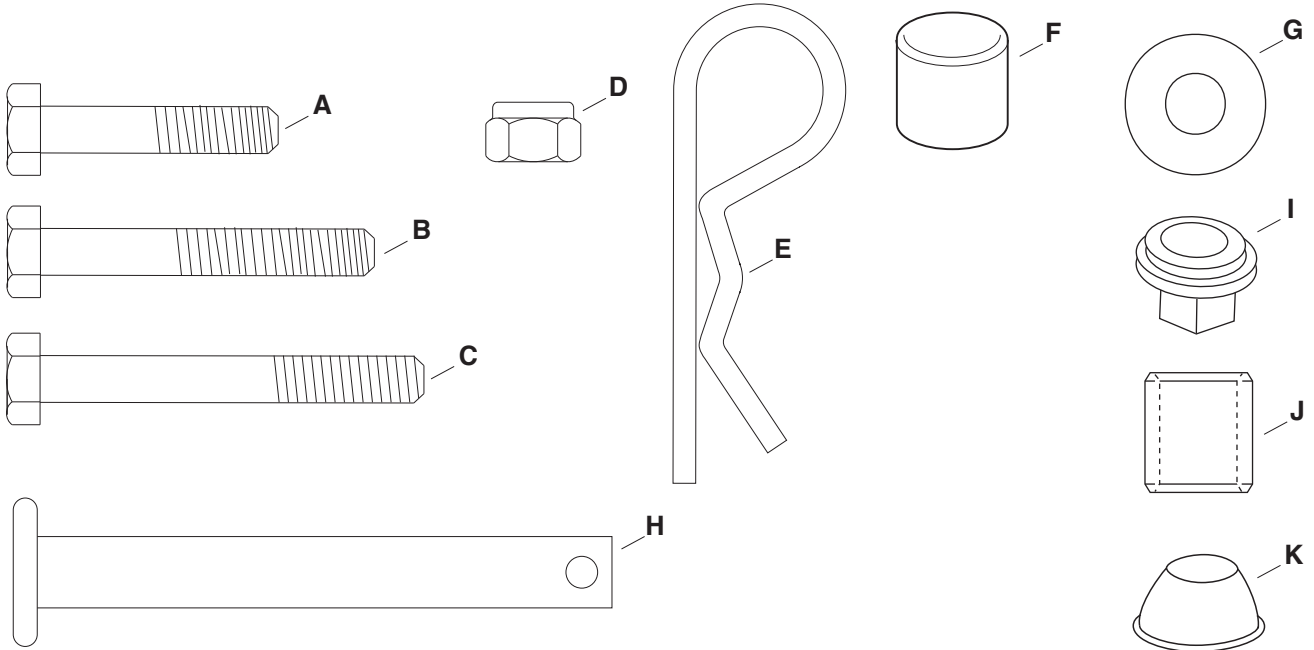


- Read the towing vehicle owners manual and towing vehicle safety rules. Know how to operate your tractor before using the broadcast spreader attachment.
- Read the chemical label instructions and cautions for handling and applying the chemicals purchased for spreading.
- Wear eye and hand protection when handling and when applying lawn or garden chemicals.
- Never operate tractor and spreader attachment without wearing substantial footwear, and do not allow anyone to ride or sit on spreader attachment frame.
- Never allow children to operate the tractor or spreader attachment, and do not allow adults to operate without proper instructions.
- Always begin with the transmission in first (low) gear and with the engine at low speed, and gradually increase speed as conditions permit. Maximum towing speed - 6 M.P.H.
- When towing broadcast spreader do not drive too close to a creek or ditch and be alert for holes and other hazards which could cause you to loose control of the broadcast spreader and tractor.
- Before operating vehicle on any grade (hill) refer to the safety rules in the vehicle owner's manual concerning safe operation on slopes. **Stay off steep slopes!**
- Follow maintenance and lubrication instructions as outlined in this manual.



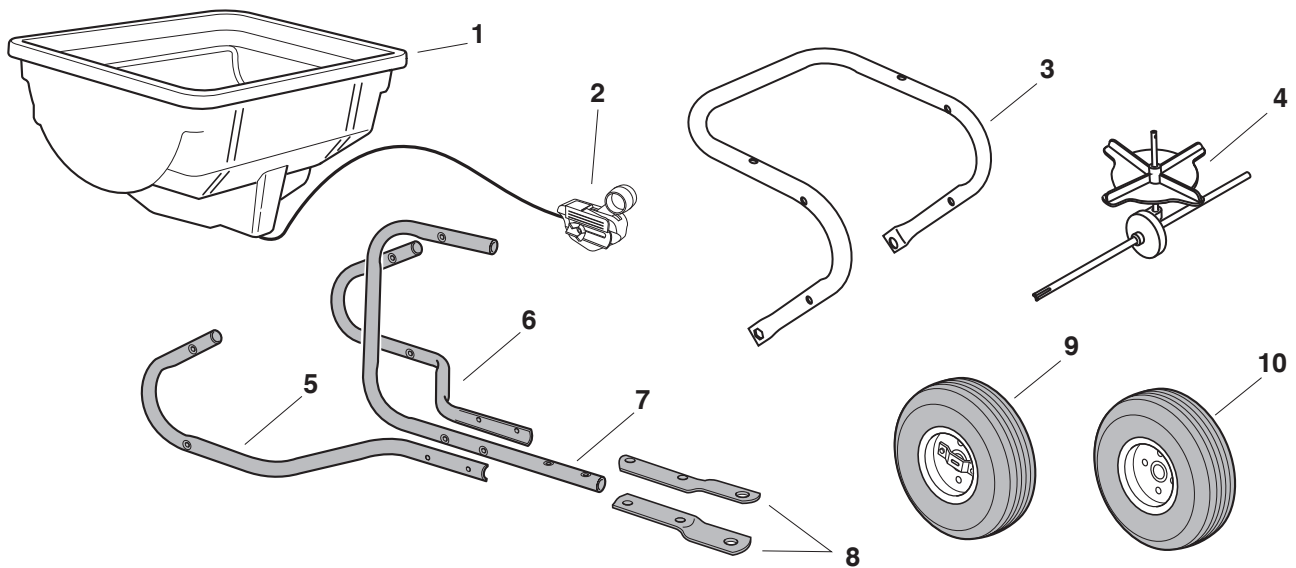
Look for this symbol to point out important safety precautions. It means — **Attention!! Become alert!! Your safety is involved.**

HARDWARE PACKAGE CONTENTS



REF.	QTY.	DESCRIPTION
A	2	Hex Bolt, 1/4" x 1-1/2"
B	4	Hex Bolt, 1/4" x 1-3/4"
C	4	Hex Bolt, 1/4" x 2"
D	8	Nut, 1/4"
E	2	Hair Cotter Pin, 1/8"
F	3	Plastic Cap

REF.	QTY.	DESCRIPTION
G	2	Washer, 1/4"
H	1	Hitch Pin
I	2	Hex Flange Bearing
J	2	Spacer
K	2	Hub Cap



CARTON CONTENTS

- | | | |
|------------------|----------------------------------|-----------------------|
| 1. Hopper | 4. Impeller Assembly | 8. Hitch Brackets (2) |
| 2. Control Cable | 5. Hitch Tube, R.H. (Right Hand) | 9. Drive Wheel |
| 3. Frame Tube | 6. Hitch Tube, L.H. (Left Hand) | 10. Wheel |
| | 7. Hitch Control Tube | |

ASSEMBLY

TOOLS REQUIRED FOR ASSEMBLY

(2) 7/16" Wrenches

- Remove all parts and hardware packages from the carton. Lay out all parts and hardware and identify using the illustrations on page 3.
- Insert each side of the axle of the impeller assembly into the frame tube. See figure 1.
- Insert the two hex flange bearings (I) into the frame tube. See figure 1.

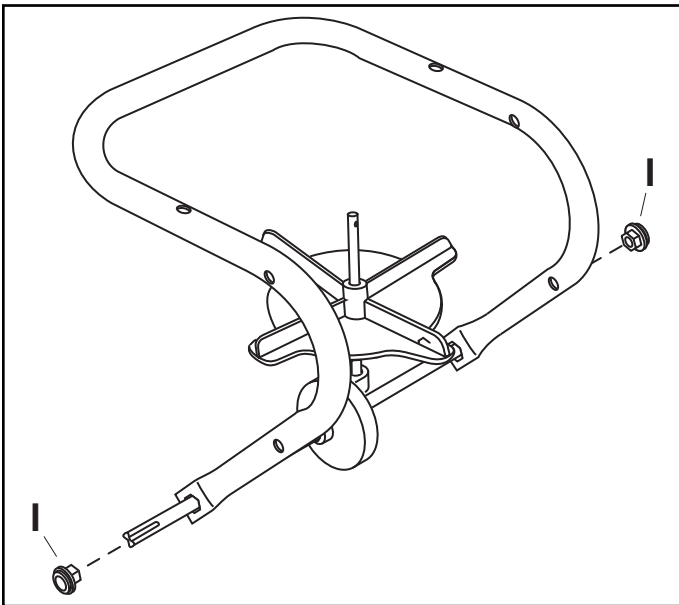


FIGURE 1

- Attach the hopper to the frame tube using two 1/4" x 1-1/2" hex bolts (A), 1/4" washers (G), and 1/4" nylock nuts (D) as shown in figure 2. **Tighten.**
- Insert an 1/8" hair cotter pin (E) into the hole at the top of the impeller. See figure 2.

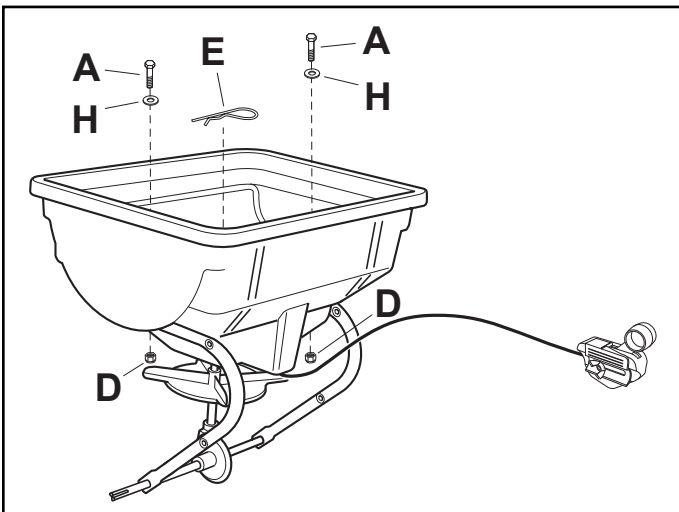


FIGURE 2

- Slide a spacer (J) over the right side of the axle. See figure 3.
- Attach the drive wheel (9) to the right (indented) side of the axle. Secure the wheel in place with a hub cap (K). See figure 3.

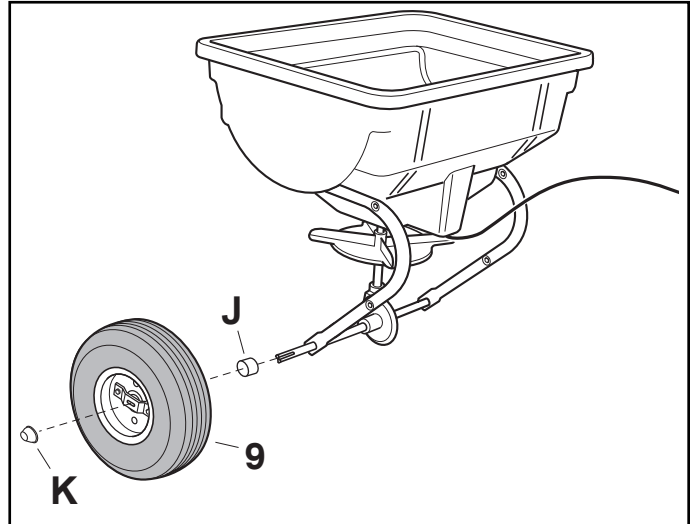


FIGURE 3

- Slide a spacer (J) over the left side of the axle. See figure 4.
- Attach the wheel (10) to the left side of the axle. Secure the wheel in place with a hub cap (K). See figure 4.

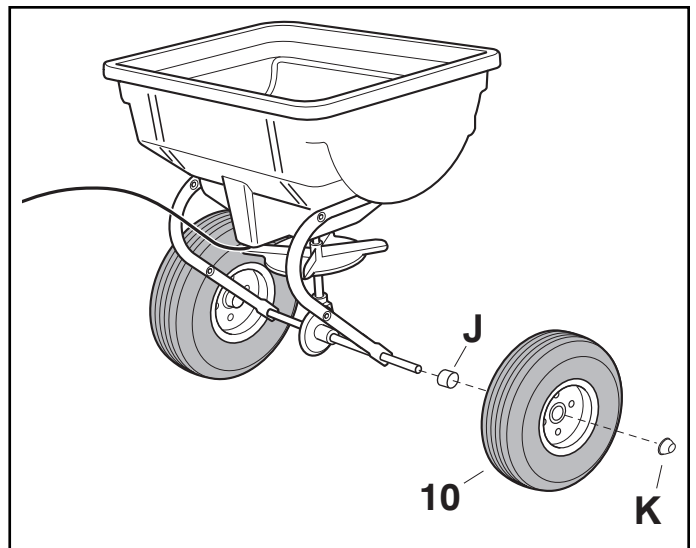


FIGURE 4

- Assemble the (RH) and (LH) hitch tubes to the control tube using two 1/4" x 1-3/4" hex bolts (B) and 1/4" nylock nuts (D). **Tighten.** See figure 5.
- Assemble the plastic caps onto the ends of the hitch tubes and control tube as shown in figure 5.

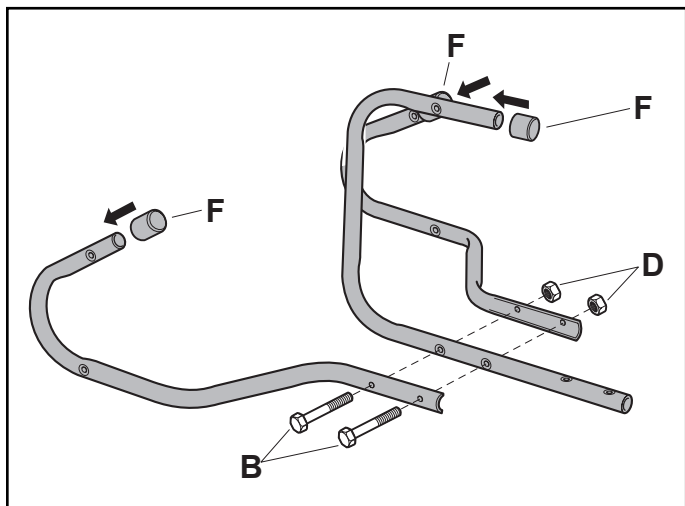


FIGURE 5

- Assemble the Control Cable to the Hitch Control Tube using the carriage bolt and nylon wing nut. **Tighten.** See figure 7.

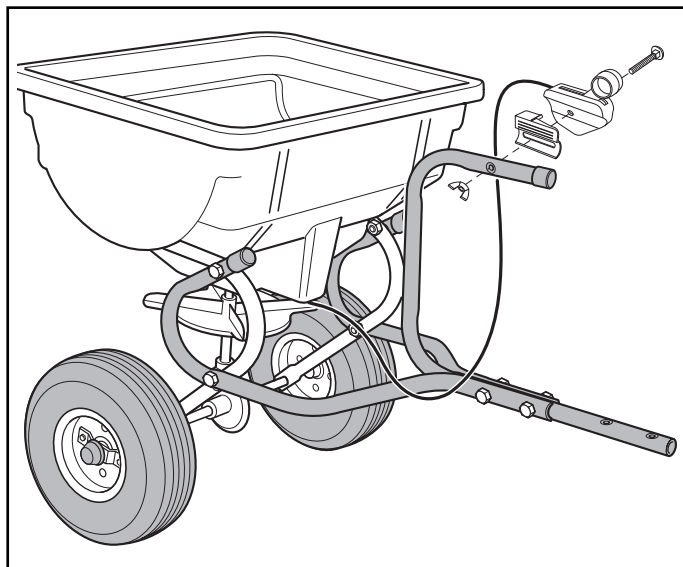


FIGURE 7

- Attach the (RH) and (LH) hitch tubes to the frame tube using four 1/4" x 2" hexbolts (C) and 1/4" nylock nuts (D). **Tighten.** See figure 6.

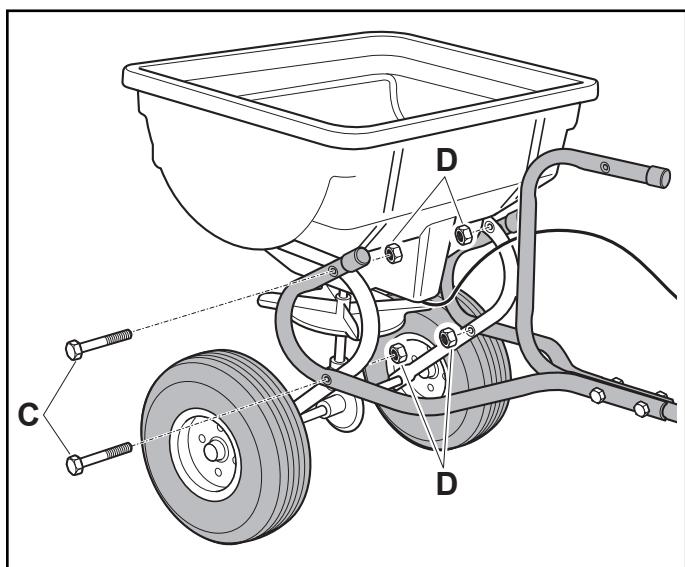


FIGURE 6

- Assemble the Hitch Brackets to the Hitch Control Tube using two 1/4" x 1-3/4" hex bolts (B) and 1/4" nuts (D). **Tighten.** See figure 8.
- Assemble the hitch pin (H) through the hitch brackets and secure with the 1/8" hair cotter pin (E). See figure 8.

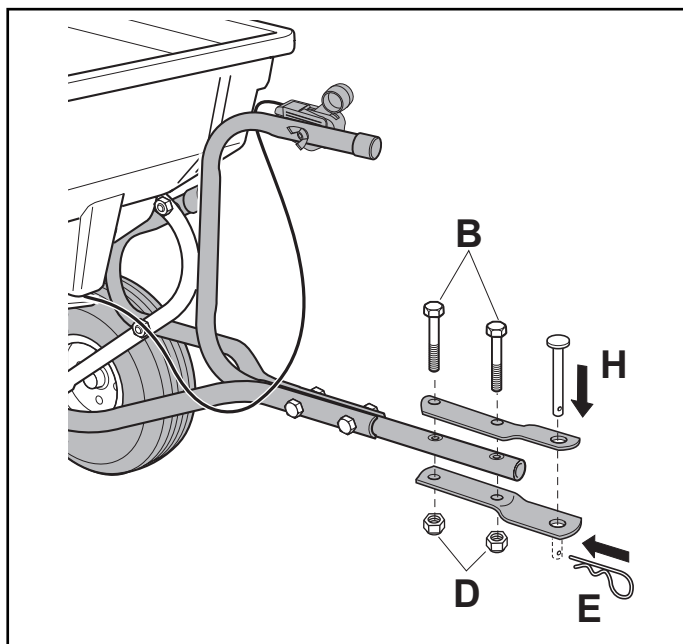


FIGURE 8

OPERATION

KNOW YOUR SPREADER

Read this owner's manual and safety rules before operating your Spreader.

Compare the illustration below with your Spreader to familiarize yourself with the various controls and their locations.

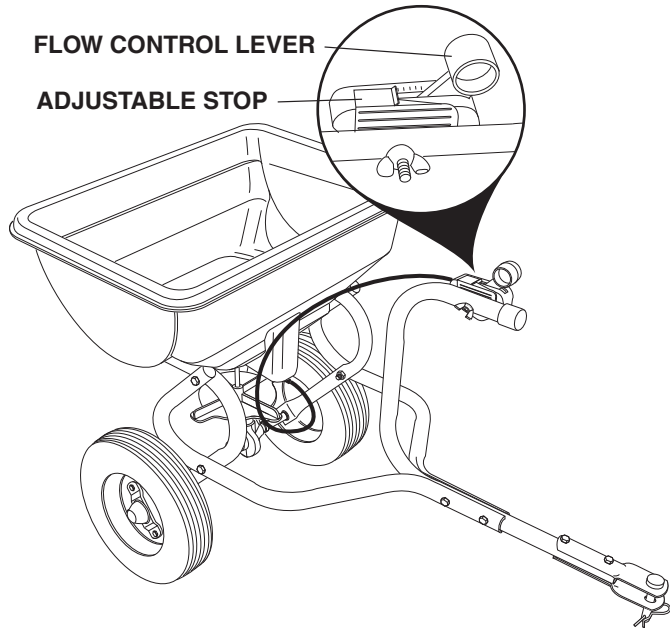


FIGURE 9

FLOW CONTROL LEVER Opens and closes the flow plate on the bottom of the hopper.

ADJUSTABLE STOP Allows the flow control lever to be moved to the same setting repeatedly.

HOW TO USE YOUR SPREADER

DO NOT EXCEED 6 MPH WHILE TOWING SPREADER

ADJUSTING THE FLOW RATE SETTING

- Loosen the wing nut that fastens the control to the handle.
- Slide the Adjustable stop to the desired setting and retighten the wing nut. See figure 9.

USING YOUR SPREADER

- Check the material package and the Spreader Settings sheet included with your spreader for the proper spreader setting and application rate.
- Before filling spreader, move the control lever to the "OFF" position.
- Move spreader onto a flat surface - either a walk or a driveway - and fill.
- Slide the Adjustable Stop to the desired setting.
- Start the spreader in motion, then move the control lever forward against the adjustable stop to begin spreading.

NOTE: Always place control lever in the "OFF" position while filling spreader and when stopping or turning, to prevent release of excess fertilizer.

APPLICATION TIPS

- This unit will cover a 4 to 8 foot wide area depending on the material used and the towing speed.
- To avoid misses or striping, make each pass about 5 feet from the previous one so some overlapping of spread pattern does occur.
- For easiest application, spread across the shortest edges of lawn first, making two "header" strips for a turning area, and then spreading between the header strips. See figure 10.
- If lawn is odd shaped, spread a border around the edges and then spread between the border. See figure 10.
- Keep wheel approximately 4 feet from any area you do not wish to spread.

IMPORTANT: Be careful when using spreader around ornamental plants because weed control chemicals can damage these plants.

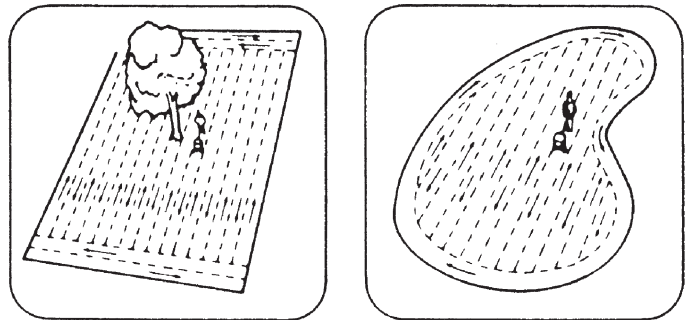


FIGURE 10

MAINTENANCE

CUSTOMER RESPONSIBILITIES

- Read and follow the maintenance schedule and the maintenance procedures listed in this section.

MAINTENANCE SCHEDULE Fill in dates as you complete regular service.	Before each use			
	After each use	Every season	Before storage	
Check for loose fasteners	X			
Clean		X	X	
Lubrication			X	

Service Dates						

CHECK FOR LOOSE FASTENERS

- Make a thorough visual check of the Spreader for any bolts and nuts which may have loosened. Retighten any loose bolts and nuts.

LUBRICATION

- Apply a few drops of oil to all moving parts.

CLEANING

- Always empty spreader after each use, storing leftover material in it's original bag.
- Wash the spreader and dry thoroughly after each use.

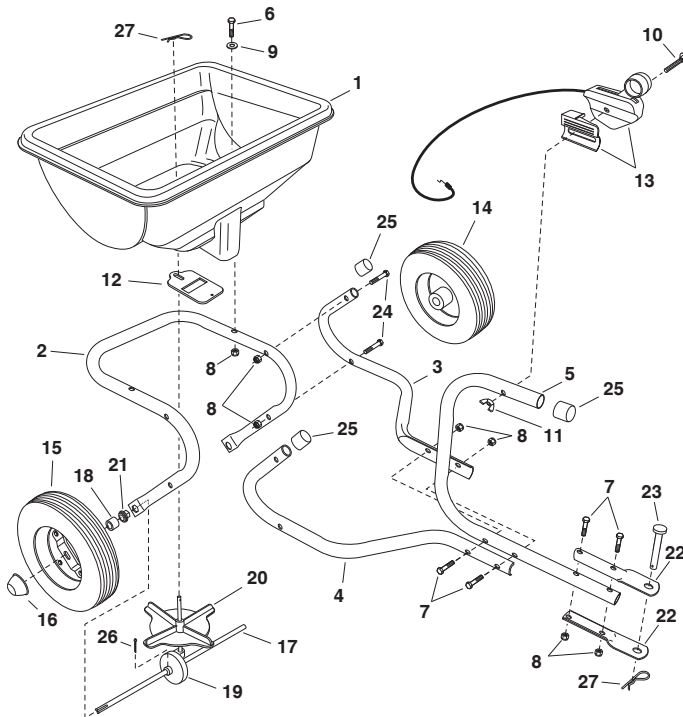
STORAGE

STORAGE

- Empty and clean the hopper as instructed in maintenance section.
- Store in a clean, dry area.

PARTS

REPAIR PARTS FOR MODEL 486.243223



REF	PART NO	QTY	DESCRIPTION
1	47994BLK	1	Hopper
2	49085	1	Frame Tube
3	49087	1	Hitch Tube (LH)

REF	PART NO	QTY	DESCRIPTION
4	49088	1	Hitch Tube (RH)
5	49091	1	Hitch Control Tube
6	43648	2	Hex Bolt, 1/4-20 x 1-1/2"
7	1509-69	4	Hex Bolt, 1/4-20 x 1-3/4"
8	47189	10	Nylock Nut, 1/4-20
9	43088	2	Washer, 1/4 Std
10	45165	1	Carriage Bolt 1/4-20 x 2"
11	47141	1	Nylon Wing Nut 1/4-20
12	47983	1	Flow Slide
13	49820	1	Control Cable Assembly (includes items 10 & 11)
14	46503	1	Wheel
15	48865	1	Drive Wheel
16	44663	2	Hub Cap (Push Nut)
17	40903	1	Axle
18	47851	2	Spacer
19	40904	1	Gearbox
20	47124	1	Impeller
21	47963	2	Hex Flange Bearing
22	24446	2	Hitch Bracket
23	47623	1	Hitch Pin
24	46699	4	Hex Bolt, 1/4-20 x 2"
25	44481	3	Vinyl Cap
26	43501	1	Cotter Pin, 9/64 x 1-1/2"
27	43343	2	Hairpin, Cotter
	40986	1	Owners Manual

Get it fixed, at your home or ours!

Your Home

For repair – **in your home** – of **all** major brand appliances, lawn and garden equipment, or heating and cooling systems, **no matter who made it, no matter who sold it!**

For the replacement parts, accessories and owner's manuals that you need to do-it-yourself.

For Sears professional installation of home appliances and items like garage door openers and water heaters.

1-800-4-MY-HOME® (1-800-469-4663)

Call anytime, day or night (U.S.A. and Canada)

www.sears.com www.sears.ca

For expert home solutions advice: www.managemyhome.com

Our Home

For repair of carry-in items like vacuums, lawn equipment, and electronics, call or go on-line for the location of your nearest

Sears Parts & Repair Service Center

1-800-488-1222 (U.S.A.) 1-800-469-4663 (Canada)

Call anytime, day or night

www.sears.com www.sears.ca

To purchase a protection agreement on a product serviced by Sears:

1-800-827-6655 (U.S.A.) 1-800-361-6665 (Canada)

Para pedir servicio de reparación a domicilio, y para ordenar piezas:

1-888-SU-HOGAR®

(1-888-784-6427)

Au Canada pour service en français:

1-800-LE-FOYER^{MC}

(1-800-533-6937)

www.sears.ca



Free Manuals Download Website

<http://myh66.com>

<http://usermanuals.us>

<http://www.somanuals.com>

<http://www.4manuals.cc>

<http://www.manual-lib.com>

<http://www.404manual.com>

<http://www.luxmanual.com>

<http://aubethermostatmanual.com>

Golf course search by state

<http://golfingnear.com>

Email search by domain

<http://emailbydomain.com>

Auto manuals search

<http://auto.somanuals.com>

TV manuals search

<http://tv.somanuals.com>