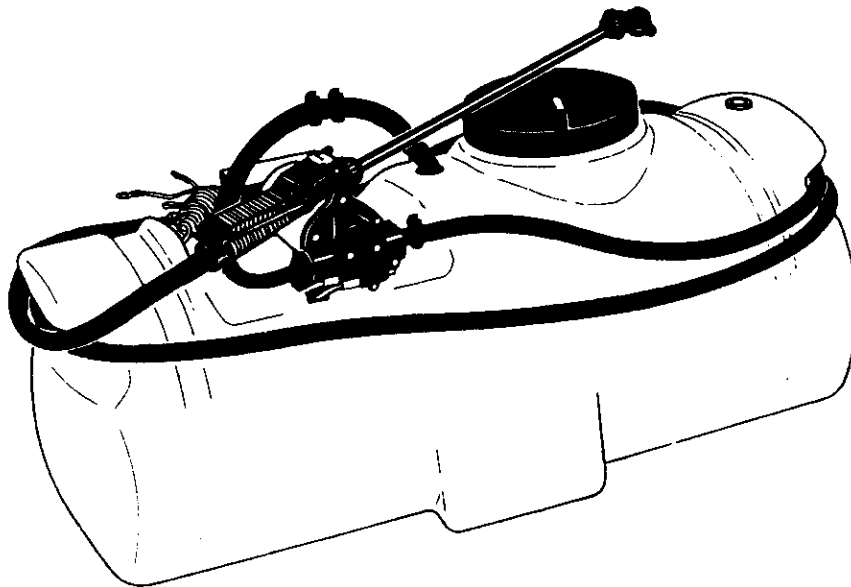


Owner's Manual

**CRAFTSMAN<sup>®</sup>**

**15 GALLON  
SKID SPRAYER**

**Model No.486.24534**



**CAUTION:**

Before using this product,  
read this manual and follow  
all Safety Rules and  
Operating Instructions.

- Safety
- Assembly
- Operation
- Maintenance
- Parts

Sears, Roebuck and Co., Hoffman Estates, IL 60179 U.S.A.

## TABLE OF CONTENTS

SAFETY RULES .....	2	STORAGE .....	5
CARTON CONTENTS .....	3	REPAIR PARTS ILLUSTRATION .....	7
ASSEMBLY .....	3	REPAIR PARTS LIST .....	7
OPERATION .....	4	PARTS ORDERING/SERVICE .....	Back Page
MAINTENANCE .....	5		

## WARRANTY

### LIMITED ONE YEAR WARRANTY ON

For one year from the date of purchase, when this sprayer is maintained and lubricated according to the operating and maintenance instructions in the owner's manual, Sears will repair any defect in material or workmanship free of charge. If this sprayer is used for commercial or rental purposes, this warranty applies for only 90 days from the date of purchase.

This warranty does not cover repairs necessary because of operator negligence or abuse, including the failure to maintain the equipment according to instructions contained in the owner's manual.

WARRANTY SERVICE IS AVAILABLE BY CONTACTING THE NEAREST SEARS SERVICE CENTER/DEPARTMENT IN THE UNITED STATES.

This warranty applies only while this product is in the United States.

This warranty gives you specific legal rights, and you may also have other rights which vary from state to state. Sears, Roebuck and Co. D/817 WA. Hoffman Estates, Chicago, IL 60179

The model number and serial numbers will be found on a decal attached to the sprayer tank.

You should record both the serial number and the date of purchase and keep in a safe place for future reference.

MODEL NUMBER: 486.24534

SERIAL NUMBER: \_\_\_\_\_

DATE OF PURCHASE: \_\_\_\_\_



## SAFETY



Any power equipment can cause injury if operated improperly or if the user does not understand how to operate the equipment. Exercise caution at all times, when using power equipment.

- Read this owners manual carefully before attempting to assemble or operate this sprayer.
- Read instructions and caution notes for handling and mixing of materials purchased for spraying.
- Wear eye and hand protection and protective clothing when handling and applying lawn chemicals.
- Do not spray on windy days.
- Read chemical labels carefully.



Look for this symbol to point out important safety precautions. It mean--**Attention!!**  
**Become alert!! Your safety is involved.**

# ASSEMBLY

## CARTON CONTENTS

1. Corrosion Resistant Polyethylene Tank
2. 12 Volt Motor and 35 PSI Pump
3. 12'6" Hose with Handgun

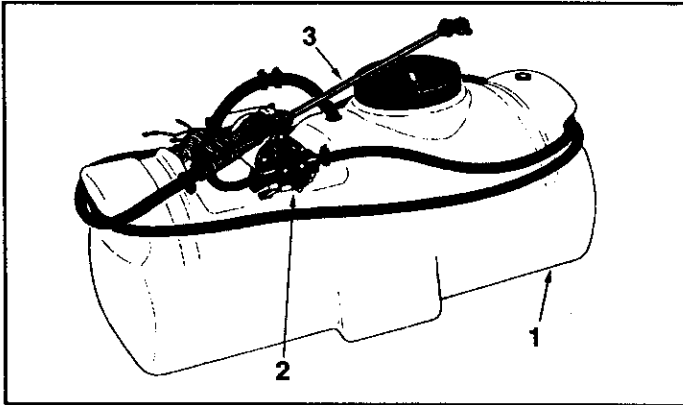


FIGURE 1

## CONNECTING TO BATTERY

The sprayer is fully assembled at the factory. The only assembly necessary is to hook up the wiring to a **12 volt** power source. The red wire of the two wire set must be connected to the positive post on the battery, or the "HOT" connection on a switch or ammeter. The brown wire may be grounded or connected to the negative battery post.



**CAUTION:** Never allow negative pin on plug to come in contact with positive "HOT" post on battery. Fire or explosion can result.

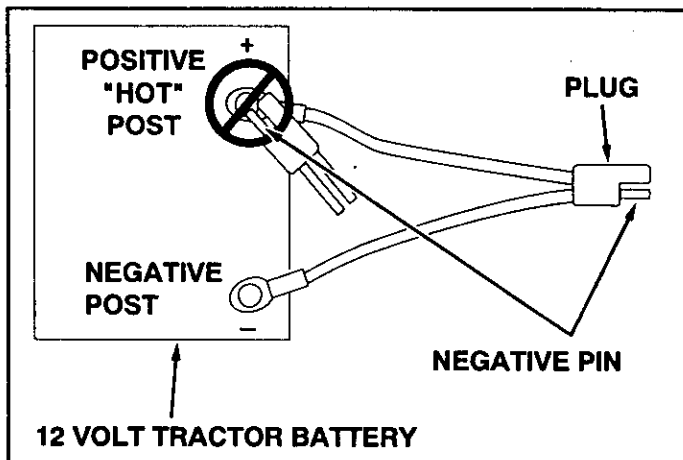


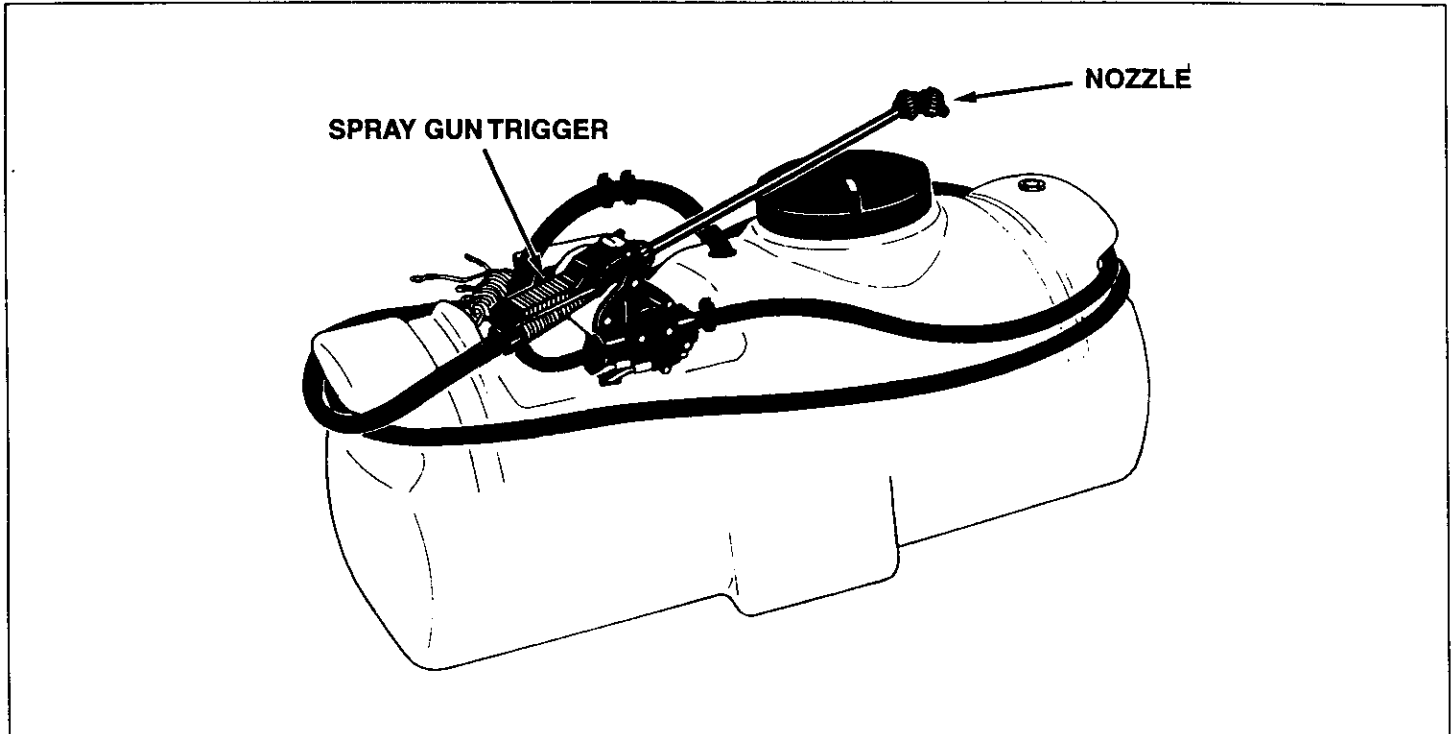
FIGURE 2

# OPERATION

## KNOW YOUR SPRAYER

Read this owner's manual and safety rules before operating your sprayer.

Compare the illustration below with your sprayer to familiarize yourself with the various controls and their locations.



**SPRAY GUN TRIGGER** Turns the flow to the nozzle on or off.

**NOZZLE** Adjusts the spray pattern from a fine mist to a straight stream.

## BEFORE STARTING

It is important to test the boom and spray gun with plain water before attempting actual spraying. This will enable you to check the sprayer for leaks and to adjust the spray pattern. If a leak should occur, thread tape may be used to better seal the fitting.

## HOW TO START YOUR SPRAYER

- Once the sprayer is connected to a power source the pump will start whenever a pressure drop is caused by squeezing the spray gun trigger. A pressure switch on the pump turns the motor on when the system pressure drops below 35 psi.

## HOW TO STOP YOUR SPRAYER

- The pump will turn off whenever a pressure buildup to 35 psi is caused by releasing the spray gun trigger.

## USING YOUR SPRAYER

- The spray gun has an adjustable nozzle which allows the spray pattern to be adjusted from a cone shaped fine mist to a straight stream.
- Do not subject the pump to continuous rapid on and off cycling (one second intervals) for long periods of time. This occurs when the spray gun is adjusted for a very low rate of flow.
- Disconnect the sprayer from the power source to conserve energy from the battery during periods of idleness. While the resting sprayer is connected, the pump will run periodically as the system pressure gradually drops below 35 psi.
- Stay clear of flowers, shrubs and evergreen trees when spraying weed control solutions. Avoid contact of the solution with these sensitive plants.



**CAUTION:** Wear eye protection, gloves and protective clothing when handling and working with lawn chemicals.

# MAINTENANCE

## CUSTOMER RESPONSIBILITIES

- Read and follow the maintenance schedule and the maintenance procedures listed in this section.

MAINTENANCE SCHEDULE Fill in dates as you complete regular service.	Service Dates											
	Before each use	After each use	Every season	Before storage								
Check for loose fasteners	X											
Clean the strainer			X									
Clean tank		X										

### CHECK FOR LOOSE FASTENERS

- Before each use make a thorough visual check of the sprayer for any bolts and nuts which may have loosened. Retighten any loose bolts and nuts.

### CLEANING STRAINER

- Periodically clean the strainer in the end of the intake hose at the bottom of the tank. Remove the nylon swivel nut from the hose, pull out the screen and flush it with clear water.

### CLEANING TANK

- After each use, fill the tank part way with water, start the sprayer and allow clear water to be pumped through the plumbing system and out through the handgun. Use the handgun to thoroughly wash all internal parts of the tank and the outside of the tank.
- Refill the tank about half full with plain water and a chemical neutralizer and repeat the cleaning instructions above. Flush the entire sprayer with the neutralizing agent. Follow the chemical manufacturers instructions for disposal of all wash or rinsing water.

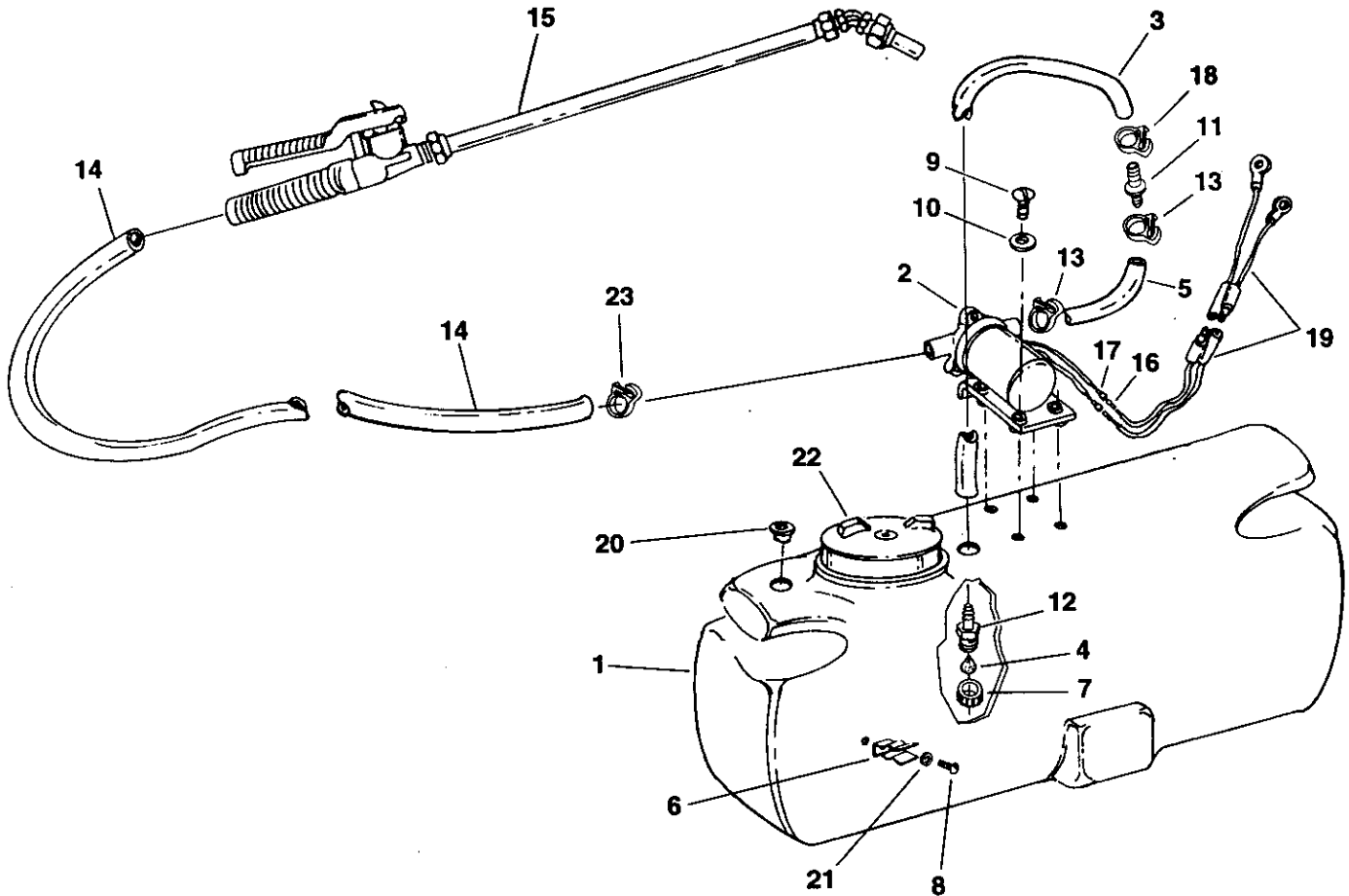
# STORAGE

- Drain all water out of the sprayer, paying special attention to the pump and handgun. These items are especially prone to damage from chemicals and freezing weather.
- The sprayer should be winterized before storage by pumping a 50-50 solution of water and R. V. anti-freeze through the entire plumbing. Proper care and maintenance will prolong the life of the sprayer.

# NOTES

# PARTS

## REPAIR PARTS FOR 15 GALLON SKID SPRAYER MODEL 486.24534



Ref. No.	Part No.	Qty.	Description	Ref. No.	Part No.	Qty.	Description
1	47752	1	Tank, 15 Gallon	13	45026	2	Hose Clamp, 3/8"
2	47001	1	Pump and Motor	14	47393	1	Hose, 1/4" ID (12'6" Lg.)
3	45022	1	Hose, 1/2" ID (14" Lg.)	15	47406	1	Spray Gun
4	45024	1	Cap Strainer	16	45085	1	Terminal, Male
5	47002	1	Hose, 3/8" ID (10" Lg.)	17	45086	2	Terminal, Female
6	45180	1	Hose Clip	18	45025	1	Hose Clamp, 1/2"
7	45032	1	Swivel Nut, 3/4" Garden Hose	19	46073	1	Connector with Wire
8	45040	1	Screw, 10-24 x 1/2" Lg.	20	46287	1	Plug
9	47078	4	Screw, 10-24 x 3/4" Lg.	21	736-0722	1	Lock Washer, 3/16"
10	43910	4	Flat Washer, #10	22	46700	1	Lid, Tank
11	47005	1	Hose Reducer, 1/2" x 3/8"	23	47405	1	Hose Clamp, 1/4"
12	46276	1	Adapter, 3/4" GH x 1/2" Barb		47793	1	Owner's Manual

**For in-home major brand repair service:**

Call 24 hours a day, 7 days a week

**1-800-4-MY-HOME<sup>SM</sup>** (1-800-469-4663)

**Para pedir servicio de reparación a domicilio – 1-800-676-5811**

In Canada for all your service and parts needs call – **1-800-665-4455**  
Au Canada pour tout le service ou les pièces

**For the repair or replacement parts you need:**

Call 7 am – 7 pm, 7 days a week

**1-800-366-PART** (1-800-366-7278)

**Para ordenar piezas con entrega a domicilio – 1-800-659-7084**

**For the location of a Sears Parts and Repair Center in your area:**

Call 24 hours a day, 7 days a week

**1-800-488-1222**

**For information on purchasing a Sears Maintenance Agreement  
or to inquire about an existing Agreement:**

Call 9 am – 5 pm, Monday – Saturday

**1-800-827-6655**



The Service Side of Sears<sup>SM</sup>



## Free Manuals Download Website

<http://myh66.com>

<http://usermanuals.us>

<http://www.somanuals.com>

<http://www.4manuals.cc>

<http://www.manual-lib.com>

<http://www.404manual.com>

<http://www.luxmanual.com>

<http://aubethermostatmanual.com>

Golf course search by state

<http://golfingnear.com>

Email search by domain

<http://emailbydomain.com>

Auto manuals search

<http://auto.somanuals.com>

TV manuals search

<http://tv.somanuals.com>